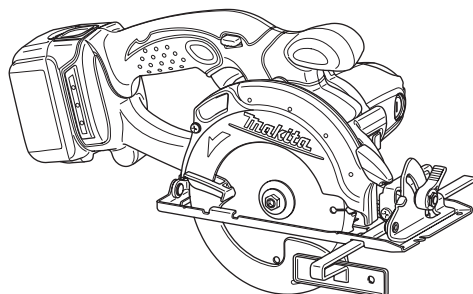




<b>EN</b>	Cordless Circular Saw	INSTRUCTION MANUAL	6
<b>SV</b>	Batteridrivnen cirkelsåg	BRUKSANVISNING	13
<b>NO</b>	Batteridrevet sirkelsag	BRUKSANVISNING	20
<b>FI</b>	Akkukäyttöinen pyörösaha	KÄYTTÖOHJE	27
<b>LV</b>	Bezvada diskzāģis	LIETOŠANAS INSTRUKCIJA	34
<b>LT</b>	Belaidis diskinis pjūklas	NAUDOJIMO INSTRUKCIJA	41
<b>ET</b>	Juhtmeta ketassaag	KASUTUSJUHEND	48
<b>RU</b>	Акумуляторная циркулярная пила	РУКОВОДСТВО ПО ЭКСПЛУАТАЦИИ	55

**DSS500**  
**DSS501**



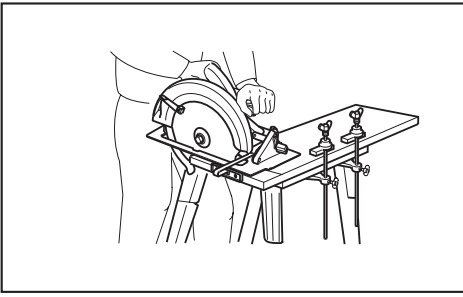


Fig.1

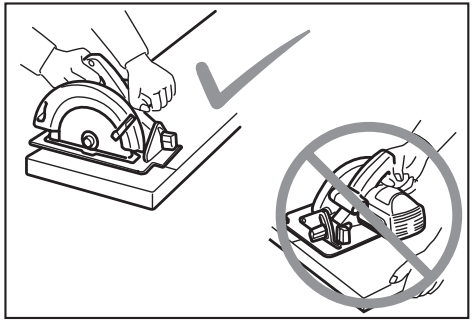


Fig.5

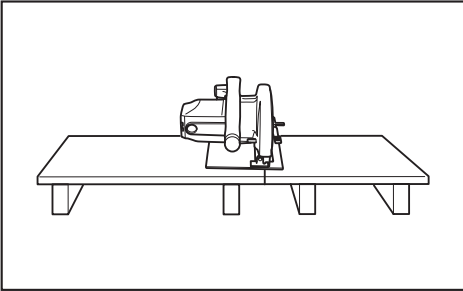


Fig.2

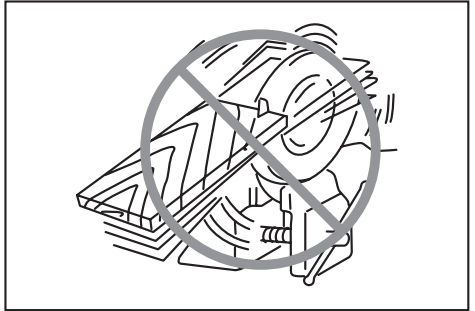


Fig.6

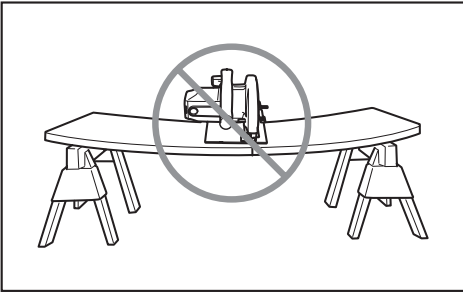


Fig.3

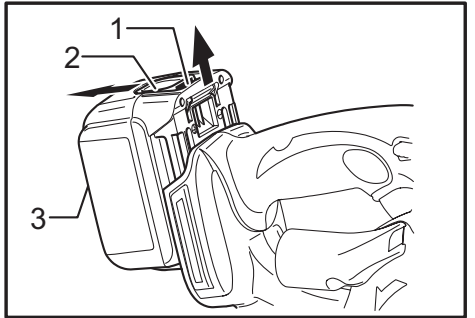


Fig.7

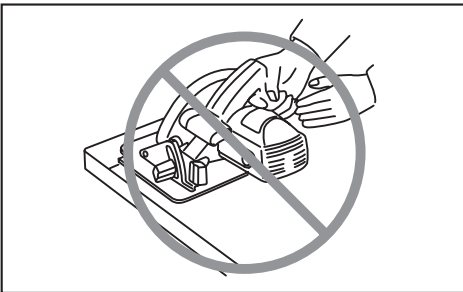


Fig.4

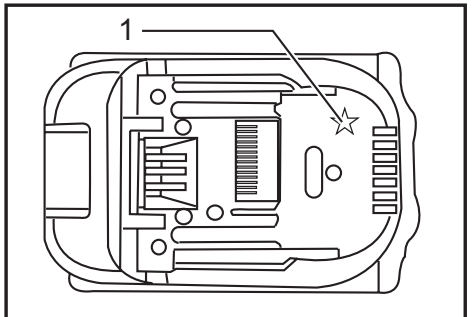


Fig.8

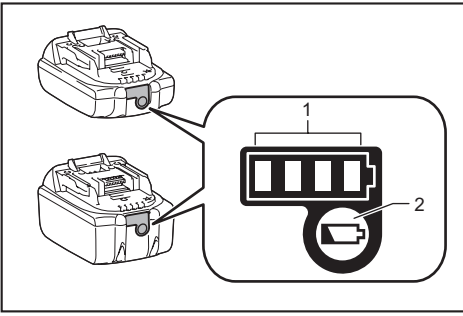


Fig.9

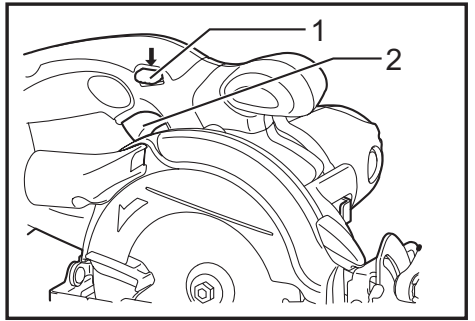


Fig.13

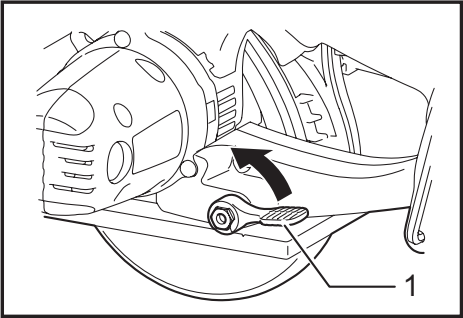


Fig.10

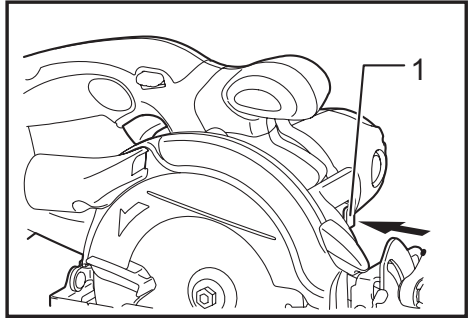


Fig.14

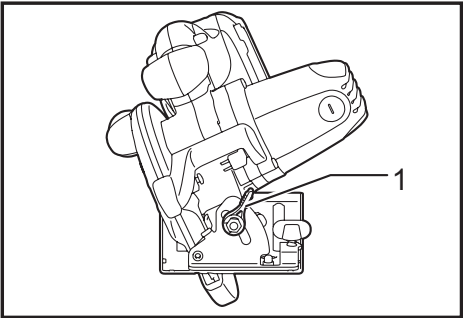


Fig.11

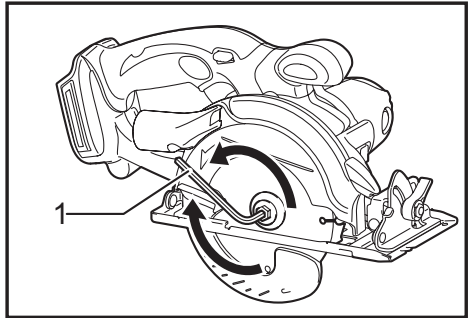


Fig.15

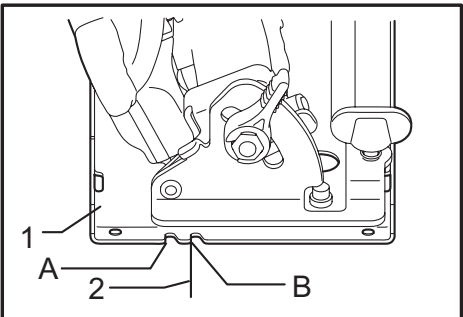


Fig.12

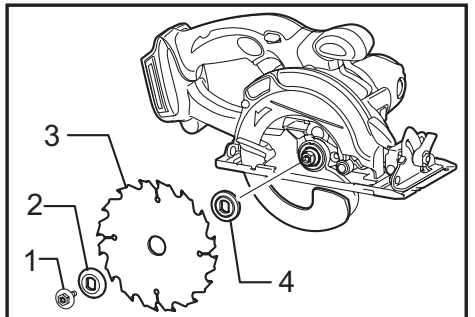


Fig.16

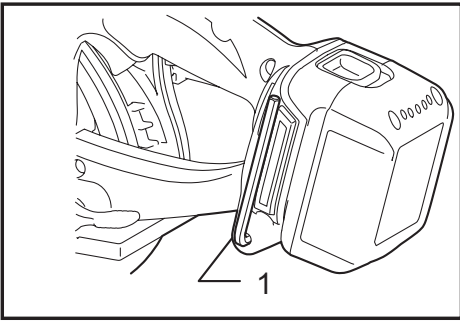


Fig.17

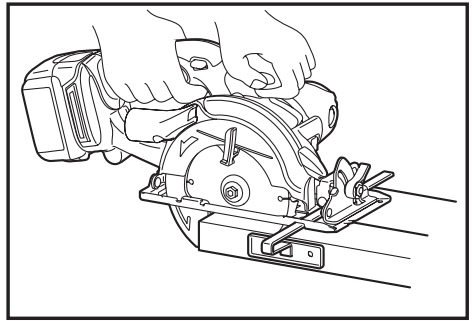


Fig.21

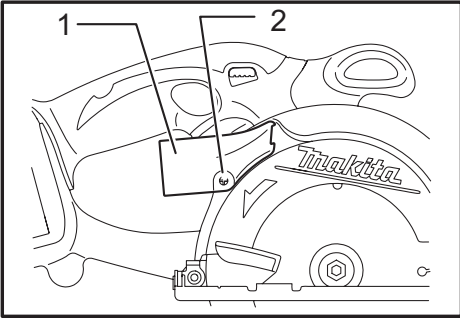


Fig.18

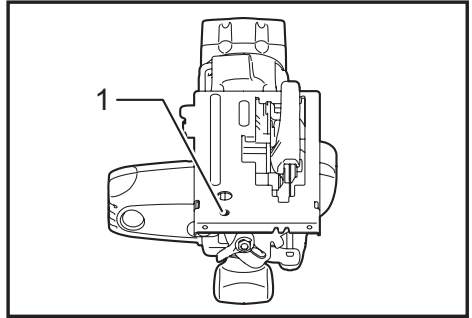


Fig.22

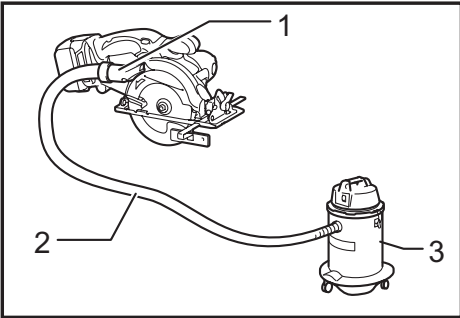


Fig.19

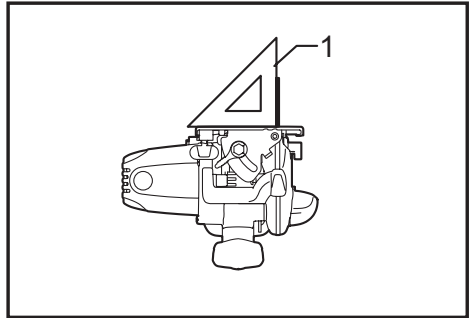


Fig.23

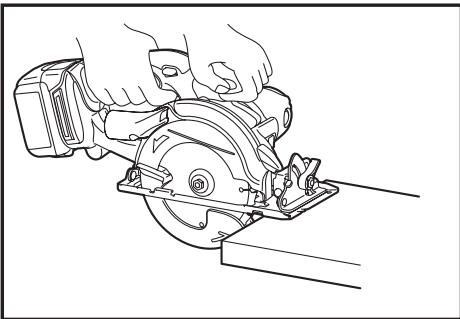


Fig.20

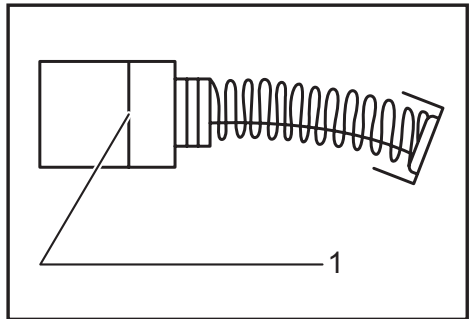


Fig.24

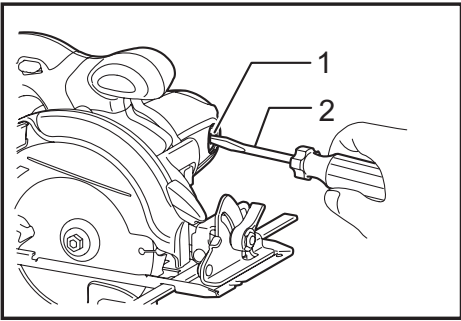


Fig.25

# SPECIFICATIONS

Model		DSS500	DSS501
Blade diameter		136 mm	
Max. Cutting depth	at 90°	51 mm	
	at 45°	35 mm	
No load speed (min <sup>-1</sup> )		3,600	
Overall length		359 mm	364 mm
Net weight		2.3 - 2.6 kg	2.4 - 2.7 kg
Rated voltage		D.C. 14.4 V	D.C. 18 V

- Due to our continuing program of research and development, the specifications herein are subject to change without notice.
- Specifications may differ from country to country.
- The weight may differ depending on the attachment(s), including the battery cartridge. The lightest and heaviest combination, according to EPTA-Procedure 01/2014, are shown in the table.

## Applicable battery cartridge and charger

Battery cartridge	D.C.14.4 V Model	BL1415N / BL1430 / BL1430B / BL1440 / BL1450 / BL1460B
	D.C.18 V Model	BL1815N / BL1820 / BL1820B / BL1830 / BL1830B / BL1840 / BL1840B / BL1850 / BL1850B / BL1860B
Charger		DC18RC / DC18RD / DC18RE / DC18SD / DC18SE / DC18SF

- Some of the battery cartridges and chargers listed above may not be available depending on your region of residence.

**⚠WARNING:** Only use the battery cartridges and chargers listed above. Use of any other battery cartridges and chargers may cause injury and/or fire.

### Intended use

The tool is intended for performing lengthways and crossways straight cuts and mitre cuts with angles in wood while in firm contact with the workpiece.

### Noise

The typical A-weighted noise level determined according to EN62841:

#### Model DSS500

Sound pressure level ( $L_{pA}$ ): 91 dB (A)

Sound power level ( $L_{WA}$ ): 102 dB (A)

Uncertainty (K): 3 dB (A)

#### Model DSS501

Sound pressure level ( $L_{pA}$ ): 92 dB (A)

Sound power level ( $L_{WA}$ ): 103 dB (A)

Uncertainty (K): 3 dB (A)

### Wear ear protection

### Vibration

The vibration total value (tri-axial vector sum) determined according to EN62841:

Work mode : cutting wood

Vibration emission ( $a_{h,W}$ ): 2.5 m/s<sup>2</sup> or less

Uncertainty (K): 1.5 m/s<sup>2</sup>

**NOTE:** The declared vibration emission value has been measured in accordance with the standard test method and may be used for comparing one tool with another.

**NOTE:** The declared vibration emission value may also be used in a preliminary assessment of exposure.

**⚠WARNING:** The vibration emission during actual use of the power tool can differ from the declared emission value depending on the ways in which the tool is used.

**⚠WARNING:** Be sure to identify safety measures to protect the operator that are based on an estimation of exposure in the actual conditions of use (taking account of all parts of the operating cycle such as the times when the tool is switched off and when it is running idle in addition to the trigger time).

## EC Declaration of Conformity

### For European countries only

The EC declaration of conformity is included as Annex A to this instruction manual.

## General power tool safety warnings

**⚠ WARNING:** Read all safety warnings, instructions, illustrations and specifications provided with this power tool. Failure to follow all instructions listed below may result in electric shock, fire and/or serious injury.

## Save all warnings and instructions for future reference.

The term "power tool" in the warnings refers to your mains-operated (corded) power tool or battery-operated (cordless) power tool.

## Cordless circular saw safety warnings

### Cutting procedures

1. **⚠ DANGER:** Keep hands away from cutting area and the blade. Keep your second hand on auxiliary handle, or motor housing. If both hands are holding the saw, they cannot be cut by the blade.
2. **Do not reach underneath the workpiece.** The guard cannot protect you from the blade below the workpiece.
3. **Adjust the cutting depth to the thickness of the workpiece.** Less than a full tooth of the blade teeth should be visible below the workpiece.
4. **Never hold the workpiece in your hands or across your leg while cutting. Secure the workpiece to a stable platform.** It is important to support the work properly to minimise body exposure, blade binding, or loss of control.

#### ► Fig.1

5. **Hold the power tool by insulated gripping surfaces, when performing an operation where the cutting tool may contact hidden wiring or its own cord.** Contact with a "live" wire will also make exposed metal parts of the power tool "live" and could give the operator an electric shock.
6. **When ripping, always use a rip fence or straight edge guide.** This improves the accuracy of cut and reduces the chance of blade binding.
7. **Always use blades with correct size and shape (diamond versus round) of arbour holes.** Blades that do not match the mounting hardware of the saw will run off-centre, causing loss of control.
8. **Never use damaged or incorrect blade washers or bolt.** The blade washers and bolt were specially designed for your saw, for optimum performance and safety of operation.

### Kickback causes and related warnings

- kickback is a sudden reaction to a pinched, jammed or misaligned saw blade, causing an uncontrolled saw to lift up and out of the workpiece toward the operator;
- when the blade is pinched or jammed tightly by the kerf closing down, the blade stalls and the motor reaction drives the unit rapidly back toward the operator;

- if the blade becomes twisted or misaligned in the cut, the teeth at the back edge of the blade can dig into the top surface of the wood causing the blade to climb out of the kerf and jump back toward the operator.

Kickback is the result of saw misuse and/or incorrect operating procedures or conditions and can be avoided by taking proper precautions as given below.

1. **Maintain a firm grip with both hands on the saw and position your arms to resist kickback forces. Position your body to either side of the blade, but not in line with the blade.** Kickback could cause the saw to jump backwards, but kickback forces can be controlled by the operator, if proper precautions are taken.
2. **When blade is binding, or when interrupting a cut for any reason, release the trigger and hold the saw motionless in the material until the blade comes to a complete stop. Never attempt to remove the saw from the work or pull the saw backward while the blade is in motion or kickback may occur.** Investigate and take corrective actions to eliminate the cause of blade binding.
3. **When restarting a saw in the workpiece, centre the saw blade in the kerf so that the saw teeth are not engaged into the material.** If a saw blade binds, it may walk up or kickback from the workpiece as the saw is restarted.
4. **Support large panels to minimise the risk of blade pinching and kickback.** Large panels tend to sag under their own weight. Supports must be placed under the panel on both sides, near the line of cut and near the edge of the panel.

#### ► Fig.2

#### ► Fig.3

5. **Do not use dull or damaged blades.** Unsharpened or improperly set blades produce narrow kerf causing excessive friction, blade binding and kickback.
6. **Blade depth and bevel adjusting locking levers must be tight and secure before making the cut.** If blade adjustment shifts while cutting, it may cause binding and kickback.
7. **Use extra caution when sawing into existing walls or other blind areas.** The protruding blade may cut objects that can cause kickback.
8. **ALWAYS hold the tool firmly with both hands. NEVER place your hand, leg or any part of your body under the tool base or behind the saw, especially when making cross-cuts.** If kickback occurs, the saw could easily jump backwards over your hand, leading to serious personal injury.

#### ► Fig.4

9. **Never force the saw. Push the saw forward at a speed so that the blade cuts without slowing.** Forcing the saw can cause uneven cuts, loss of accuracy, and possible kickback.

## Lower guard function

1. **Check the lower guard for proper closing before each use. Do not operate the saw if the lower guard does not move freely and close instantly. Never clamp or tie the lower guard into the open position.** If the saw is accidentally dropped, the lower guard may be bent. Raise the lower guard with the retracting handle and make sure it moves freely and does not touch the blade or any other part, in all angles and depths of cut.
2. **Check the operation of the lower guard spring. If the guard and the spring are not operating properly, they must be serviced before use.** Lower guard may operate sluggishly due to damaged parts, gummy deposits, or a build-up of debris.
3. **The lower guard may be retracted manually only for special cuts such as "plunge cuts" and "compound cuts". Raise the lower guard by the retracting handle and as soon as the blade enters the material, the lower guard must be released.** For all other sawing, the lower guard should operate automatically.
4. **Always observe that the lower guard is covering the blade before placing the saw down on bench or floor.** An unprotected, coasting blade will cause the saw to walk backwards, cutting whatever is in its path. Be aware of the time it takes for the blade to stop after switch is released.
5. **To check lower guard, open lower guard by hand, then release and watch guard closure. Also check to see that retracting handle does not touch tool housing.** Leaving blade exposed is VERY DANGEROUS and can lead to serious personal injury.

## Additional safety warnings

1. **Use extra caution when cutting damp wood, pressure treated lumber, or wood containing knots.** Maintain smooth advancement of tool without decrease in blade speed to avoid overheating the blade tips.
2. **Do not attempt to remove cut material when blade is moving. Wait until blade stops before grasping cut material.** Blades coast after turn off.
3. **Avoid cutting nails. Inspect for and remove all nails from lumber before cutting.**
4. **Place the wider portion of the saw base on that part of the workpiece which is solidly supported, not on the section that will fall off when the cut is made. If the workpiece is short or small, clamp it down. DO NOT TRY TO HOLD SHORT PIECES BY HAND!**

### ► Fig.5

5. **Before setting the tool down after completing a cut, be sure that the guard has closed and the blade has come to a complete stop.**
6. **Never attempt to saw with the circular saw held upside down in a vise. This is extremely dangerous and can lead to serious accidents.**

### ► Fig.6

7. **Some material contains chemicals which may be toxic. Take caution to prevent dust inhalation and skin contact. Follow material supplier safety data.**

8. **Do not stop the blades by lateral pressure on the saw blade.**
9. **Do not use any abrasive wheels.**
10. **Only use the saw blade with the diameter that is marked on the tool or specified in the manual.** Use of an incorrectly sized blade may affect the proper guarding of the blade or guard operation which could result in serious personal injury.
11. **Keep blade sharp and clean.** Gum and wood pitch hardened on blades slows saw and increases potential for kickback. Keep blade clean by first removing it from tool, then cleaning it with gum and pitch remover, hot water or kerosene. Never use gasoline.
12. **Wear a dust mask and hearing protection when use the tool.**
13. **Always use the saw blade intended for cutting the material that you are going to cut.**
14. **Only use the saw blades that are marked with a speed equal or higher than the speed marked on the tool.**
15. **(For European countries only)**  
Always use the blade which conforms to EN847-1.

## SAVE THESE INSTRUCTIONS.

**⚠WARNING:** DO NOT let comfort or familiarity with product (gained from repeated use) replace strict adherence to safety rules for the subject product. MISUSE or failure to follow the safety rules stated in this instruction manual may cause serious personal injury.

## Important safety instructions for battery cartridge

1. **Before using battery cartridge, read all instructions and cautionary markings on (1) battery charger, (2) battery, and (3) product using battery.**
2. **Do not disassemble battery cartridge.**
3. **If operating time has become excessively shorter, stop operating immediately. It may result in a risk of overheating, possible burns and even an explosion.**
4. **If electrolyte gets into your eyes, rinse them out with clear water and seek medical attention right away. It may result in loss of your eyesight.**
5. **Do not short the battery cartridge:**
  - (1) **Do not touch the terminals with any conductive material.**
  - (2) **Avoid storing battery cartridge in a container with other metal objects such as nails, coins, etc.**
  - (3) **Do not expose battery cartridge to water or rain.**

**A battery short can cause a large current flow, overheating, possible burns and even a breakdown.**
6. **Do not store the tool and battery cartridge in locations where the temperature may reach or exceed 50 °C (122 °F).**



7. Do not incinerate the battery cartridge even if it is severely damaged or is completely worn out. The battery cartridge can explode in a fire.
8. Be careful not to drop or strike battery.
9. Do not use a damaged battery.
10. The contained lithium-ion batteries are subject to the Dangerous Goods Legislation requirements.

For commercial transports e.g. by third parties, forwarding agents, special requirement on packaging and labeling must be observed.

For preparation of the item being shipped, consulting an expert for hazardous material is required. Please also observe possibly more detailed national regulations.

Tape or mask off open contacts and pack up the battery in such a manner that it cannot move around in the packaging.

11. Follow your local regulations relating to disposal of battery.
12. Use the batteries only with the products specified by Makita. Installing the batteries to non-compliant products may result in a fire, excessive heat, explosion, or leak of electrolyte.

## SAVE THESE INSTRUCTIONS.

**CAUTION:** Only use genuine Makita batteries. Use of non-genuine Makita batteries, or batteries that have been altered, may result in the battery bursting causing fires, personal injury and damage. It will also void the Makita warranty for the Makita tool and charger.

## Tips for maintaining maximum battery life

1. Charge the battery cartridge before completely discharged. Always stop tool operation and charge the battery cartridge when you notice less tool power.
2. Never recharge a fully charged battery cartridge. Overcharging shortens the battery service life.
3. Charge the battery cartridge with room temperature at 10 °C - 40 °C (50 °F - 104 °F). Let a hot battery cartridge cool down before charging it.
4. Charge the battery cartridge if you do not use it for a long period (more than six months).

## FUNCTIONAL DESCRIPTION

### CAUTION:

- Always be sure that the tool is switched off and the battery cartridge is removed before adjusting or checking function on the tool.

## Installing or removing battery cartridge

► Fig.7: 1. Red indicator 2. Button 3. Battery cartridge

### CAUTION:

- Always switch off the tool before installing or removing of the battery cartridge.
- **Hold the tool and the battery cartridge firmly when installing or removing battery cartridge.** Failure to hold the tool and the battery cartridge firmly may cause them to slip off your hands and result in damage to the tool and battery cartridge and a personal injury.

To remove the battery cartridge, slide it from the tool while sliding the button on the front of the cartridge. To install the battery cartridge, align the tongue on the battery cartridge with the groove in the housing and slip it into place. Insert it all the way until it locks in place with a little click. If you can see the red indicator on the upper side of the button, it is not locked completely.

### CAUTION:

- Always install the battery cartridge fully until the red indicator cannot be seen. If not, it may accidentally fall out of the tool, causing injury to you or someone around you.
- Do not install the battery cartridge forcibly. If the cartridge does not slide in easily, it is not being inserted correctly.

## Battery protection system (Lithium-ion battery with star marking)

► Fig.8: 1. Star marking

Lithium-ion batteries with a star marking are equipped with a protection system. This system automatically cuts off power to the tool to extend battery life. The tool will automatically stop during operation if the tool and/or battery are placed under one of the following conditions:

- Overloaded:
  - The tool is operated in a manner that causes it to draw an abnormally high current.
  - In this situation, release the switch trigger on the tool and stop the application that caused the tool to become overloaded. Then pull the switch trigger again to restart.
  - If the tool does not start, the battery is overheated. In this situation, let the battery cool before pulling the switch trigger again.
- Low battery voltage:
  - The remaining battery capacity is too low and the tool will not operate. In this situation, remove and recharge the battery.

## Indicating the remaining battery capacity

Only for battery cartridges with the indicator

► Fig.9: 1. Indicator lamps 2. Check button

Press the check button on the battery cartridge to indicate the remaining battery capacity. The indicator lamps light up for a few seconds.

Indicator lamps			Remaining capacity
Lighted	Off	Blinking	
■	□	▬	75% to 100%
■ ■ ■ ■			
■ ■ ■	□		50% to 75%
■ ■	□ □		25% to 50%
■	□ □ □		0% to 25%
▬	□ □ □		Charge the battery.
■ ■ □ □			The battery may have malfunctioned.
□ □ ■ ■			

**NOTE:** Depending on the conditions of use and the ambient temperature, the indication may differ slightly from the actual capacity.

## Adjusting depth of cut

► Fig.10: 1. Lever

### CAUTION:

- After adjusting the depth of cut, always tighten the lever securely.

Loosen the lever on the side of the rear handle and move the base up or down. At the desired depth of cut, secure the base by tightening the lever.

For cleaner, safer cuts, set cut depth so that no more than one blade tooth projects below workpiece. Using proper cut depth helps to reduce potential for dangerous KICKBACKS which can cause personal injury.

## Bevel cutting

► Fig.11: 1. Lever

Loosen the lever on the bevel scale plate on the front base. Set for the desired angle (0° - 50°) by tilting accordingly, then tighten the lever securely.

## Sighting

► Fig.12: 1. Base 2. Cutting line

For straight cuts, align the A position on the front of the base with your cutting line. For 45° bevel cuts, align the B position with it.

## Switch action

► Fig.13: 1. Lock-off lever 2. Switch trigger

### CAUTION:

- Before inserting the battery cartridge into the tool, always check to see that the switch trigger actuates properly and returns to the "OFF" position when released.
- Do not pull the switch trigger hard without pressing the lock-off lever. This can cause switch breakage.

To prevent the switch trigger from being accidentally pulled, a lock-off lever is provided. To start the tool, press the lock-off lever and pull the switch trigger. Release the switch trigger to stop.

### WARNING:

- For your safety, this tool is equipped with lock-off lever which prevents the tool from unintended starting. NEVER use the tool if it runs when you simply pull the switch trigger without pressing the lock-off lever. Return tool a MAKITA service center for proper repairs BEFORE further usage.
- NEVER tape down or defeat purpose and function of lock-off lever.

## Lighting the lamp

### CAUTION:

- Do not look in the light or see the source of light directly.

Only to turn on the light, pull the switch trigger without pressing the lock-off lever. To turn on the light and run the tool, press the lock-off lever and pull the switch trigger with the lock-off lever being pressed.

### NOTE:

- Use a cotton stick to wipe the dirt off the lens of lamp. Be careful not to scratch the lens of lamp, or it may lower the illumination.
- Do not use gasoline, thinner or the like to clean the lens of lamp. Using such substances will damage the lens.

## ASSEMBLY

### CAUTION:

- Always be sure that the tool is switched off and the battery cartridge is removed before carrying out any work on the tool.

## Removing or installing blade

- ▶ **Fig.14:** 1. Shaft lock
- ▶ **Fig.15:** 1. Hex wrench

### ⚠ **CAUTION:**

- Be sure the blade is installed with teeth pointing up at the front of the tool.
- Use only the Makita wrench to install or remove the blade.

To remove the blade, press the shaft lock so that the blade cannot revolve and use the wrench to loosen the hex bolt counterclockwise. Then remove the hex bolt, outer flange and blade.

To install the blade, follow the removal procedure in reverse. **BE SURE TO TIGHTEN THE HEX BOLT CLOCKWISE SECURELY.**

- ▶ **Fig.16:** 1. Hex bolt 2. Outer flange 3. Saw blade 4. Inner flange

When changing blade, make sure to also clean upper and lower blade guards of accumulated chips and particles. Such efforts do not, however, replace the need to check lower guard operation before each use.

## Hex wrench storage

- ▶ **Fig.17:** 1. Hex wrench

When not in use, store the hex wrench as shown in the figure to keep it from being lost.

## Connecting a vacuum cleaner

### **Optional accessory**

- ▶ **Fig.18:** 1. Dust nozzle 2. Screw
- ▶ **Fig.19:** 1. Dust nozzle 2. Hose 3. Vacuum cleaner

When you wish to perform clean cutting operation, connect a Makita vacuum cleaner to your tool. Install the dust nozzle on the tool using the screw. Then connect a hose of the vacuum cleaner to the dust nozzle as shown in the figure.

## OPERATION

### ⚠ **CAUTION:**

- Always insert the battery cartridge all the way until it locks in place. If you can see the red part on the upper side of the button, it is not locked completely. Insert it fully until the red part cannot be seen. If not, it may accidentally fall out of the tool, causing injury to you or someone around you.
- Be sure to move the tool forward in a straight line gently. Forcing or twisting the tool will result in overheating the motor and dangerous kickback, possibly causing severe injury.
- If the tool is operated continuously until the battery cartridge has discharged, allow the tool to rest for 15 minutes before proceeding with a fresh battery.

- ▶ **Fig.20**

Hold the tool firmly. The tool is provided with both a front grip and rear handle. Use both to best grasp the tool. If both hands are holding saw, they cannot be cut by the blade. Set the base on the workpiece to be cut without the blade making any contact. Then turn the tool on and wait until the blade attains full speed. Now simply move the tool forward over the workpiece surface, keeping it flat and advancing smoothly until the sawing is completed.

To get clean cuts, keep your sawing line straight and your speed of advance uniform. If the cut fails to properly follow your intended cut line, do not attempt to turn or force the tool back to the cut line. Doing so may bind the blade and lead to dangerous kickback and possible serious injury. Release switch, wait for blade to stop and then withdraw tool. Realign tool on new cut line, and start cut again. Attempt to avoid positioning which exposes operator to chips and wood dust being ejected from saw. Use eye protection to help avoid injury.

## Rip fence (guide rule) (Accessory)

- ▶ **Fig.21**

The handy rip fence allows you to do extra-accurate straight cuts. Simply slide the rip fence up snugly against the side of the workpiece and secure it in position with the screw on the front of the base. It also makes repeated cuts of uniform width possible.

## MAINTENANCE

### ⚠ **CAUTION:**

- Always be sure that the tool is switched off and the battery cartridge is removed before attempting to perform inspection or maintenance.
- Never use gasoline, benzine, thinner, alcohol or the like. Discoloration, deformation or cracks may result.

## Adjusting for accuracy of 90° cut (vertical cut)

This adjustment has been made at the factory. But if it is off, adjust the adjusting screws with a hex wrench while inspecting 90° the blade with the base using a triangular rule or square rule, etc.

- ▶ **Fig.22:** 1. Adjusting screw for 90°

- ▶ **Fig.23:** 1. Triangular rule

## Replacing carbon brushes

- ▶ **Fig.24:** 1. Limit mark

Remove and check the carbon brushes regularly. Replace when they wear down to the limit mark. Keep the carbon brushes clean and free to slip in the holders. Both carbon brushes should be replaced at the same time. Use only identical carbon brushes. Use a screwdriver to remove the brush holder caps. Take out the worn carbon brushes, insert the new ones and secure the brush holder caps.

- ▶ **Fig.25:** 1. Brush holder cap 2. Screwdriver

To maintain product SAFETY and RELIABILITY, repairs, any other maintenance or adjustment should be performed by Makita Authorized Service Centers, always using Makita replacement parts.

## OPTIONAL ACCESSORIES

### CAUTION:

- These accessories or attachments are recommended for use with your Makita tool specified in this manual. The use of any other accessories or attachments might present a risk of injury to persons. Only use accessory or attachment for its stated purpose.

If you need any assistance for more details regarding these accessories, ask your local Makita Service Center.

- Saw blades
- Rip fence (Guide rule)
- Hex wrench 5
- Dust nozzle
- Makita genuine battery and charger

### NOTE:

- Some items in the list may be included in the tool package as standard accessories. They may differ from country to country.

## SPECIFIKATIONER

Modell		DSS500	DSS501
Bladdiameter		136 mm	
Max. fräsdjup	vid 90°	51 mm	
	vid 45°	35 mm	
Obelastat varvtal (min <sup>-1</sup> )		3 600	
Längd		359 mm	364 mm
Vikt		2,3 - 2,6 kg	2,4 - 2,7 kg
Märkspänning		14,4 V likström	18 V likström

- På grund av vårt pågående program för forskning och utveckling kan dessa specifikationer ändras utan föregående meddelande.
- Specifikationer kan variera mellan olika länder.
- Vikten kan variera beroende på tillbehören, inklusive batterikassett. Den lättaste och den tyngsta kombinationen enligt EPTA-procedur 01/2014 visas i tabellen.

### Tillgänglig batterikassett och laddare

Batterikassett	14,4 V likströmsmodell	BL1415N / BL1430 / BL1430B / BL1440 / BL1450 / BL1460B
	18 V likströmsmodell	BL1815N / BL1820 / BL1820B / BL1830 / BL1830B / BL1840 / BL1840B / BL1850 / BL1850B / BL1860B
Laddare		DC18RC / DC18RD / DC18RE / DC18SD / DC18SE / DC18SF

- Vissa av batterikassetterna och laddarna på listan ovan kanske inte finns tillgängliga i din region.

**⚠ VARNING: Använd endast batterikassetter och laddare från listan ovan.** Användning av andra batterikassetter och laddare kan orsaka personskada och/eller brand.

#### Användningsområde

Verktøget är avsett för att såga längs och tvärs arbetsstycket och för vinkelsågning i god kontakt med arbetsstycket.

#### Buller

Typiska A-vägda bullernivån är mätt enligt EN62841:

##### Modell DSS500

Ljudtrycksnivå (L<sub>PA</sub>): 91 dB (A)  
Ljudeffektnivå (L<sub>WA</sub>): 102 dB (A)  
Måttolerans (K): 3 dB (A)

##### Modell DSS501

Ljudtrycksnivå (L<sub>PA</sub>): 92 dB (A)  
Ljudeffektnivå (L<sub>WA</sub>): 103 dB (A)  
Måttolerans (K): 3 dB (A)

#### Använd hörselskydd

#### Vibration

Vibrationens totalvärde (tre-axlars vektorsumma) mätt enligt EN62841:

Arbetsläge: sågning i trä  
Vibrationsemission (a<sub>h,w</sub>): 2,5 m/s<sup>2</sup> eller lägre  
Måttolerans (K): 1,5 m/s<sup>2</sup>

**OBS:** Det deklarerade vibrationsemissionsvärdet har uppmätts i enlighet med standardtestmetoden och kan användas för jämförandet av en maskin med en annan.

**OBS:** Det deklarerade vibrationsemissionsvärdet kan också användas i preliminär bedömning av exponering för vibration.

**⚠ VARNING:** Vibrationsemissionen under faktisk användning av maskinen kan skilja sig från det deklarerade emissionsvärdet, beroende på hur maskinen används.

**⚠ VARNING:** Se till att hitta säkerhetsåtgärder som kan skydda användaren och som grundar sig på en uppskattning av exponering i verkligheten (ta med i beräkningen alla delar av användandet såsom antal gånger maskinen är avstängd och när den körs på tomgång samt då startomkopplaren används).

### EG-försäkring om överensstämmelse

#### Gäller endast inom EU

EG-försäkring om överensstämmelse inkluderas som bilaga A till denna bruksanvisning.

### Allmänna säkerhetsvarningar för maskiner

**⚠ VARNING:** Läs alla säkerhetsvarningar, anvisningar, illustrationer och specifikationer som medföljer det här maskinen. Underlåtenhet att följa instruktionerna kan leda till elstöt, brand och/eller allvariga personskador.

# Spara alla varningar och instruktioner för framtida referens.

Termen "maskin" som anges i varningarna hänvisar till din eldrivna maskin (sladdansluten) eller batteridrivna maskin (sladdlös).

## Säkerhetsvarningar för sladdlös cirkelsåg

### Sågningsförfarande

1. **▲ FARA: Håll alltid händerna borta från sågningsområdet. Håll den andra handen på det extra handtaget eller motorhuset.** Om du håller i sågen med båda händerna kan de inte skadas av klingan.
2. **Sträck dig inte in under arbetsstycket.** Skyddet har ingen skyddsfunktion under arbetsstycket.
3. **Ställ in sågdjupet efter arbetsstyckets tjocklek.** Mindre än en hel sågtand får synas under arbetsstycket.
4. **Håll aldrig arbetsstycket i händerna eller i knäet vid kapning. Fäst arbetsstycket på ett stabilt underlag.** Det är viktigt att arbetsstycket stöds ordentligt för att minimera risken för skador, undvika att klingan fastnar eller att något oväntat inträffar.

### ► Fig.1

5. **Håll maskinen i de isolerade handtagen om det finns risk för att skärverktyget kan komma i kontakt med en dold elkabel eller sin egen kabel.** Om skärverktyget kommer i kontakt med en strömförande ledning blir maskinens metall-delar strömförande och kan ge användaren en elektrisk stöt.
6. **Vid klyvsågning ska alltid ett parallell- eller sidoanslag användas.** Detta förbättrar noggrannheten vid sågningen och minskar risken för att klingan nyper fast.
7. **Använd alltid en sågklinga med rätt storlek och form (diamant respektive rund) på styrhålen.** Klingor som inte passar monteringsfästet i sågen löper ojämnt, vilket ger en okontrollerbar sågning.
8. **Använd aldrig en klingbricka eller bult som på något sätt är felaktig eller skadad.** Klingbrickorna och bulten är specialtillverkade till sågen för optimal prestanda och säkerhet.

### Orsaker till bakåtkast och relaterade varningar

- Bakåtkast är en plötslig reaktion när ett sågblad kläms, fastnar eller är felinriktat och innebär att sågen kastas upp ur arbetsstycket.
- Om klingan kläms eller fastnar och sågskäret därmed stoppas, driver motorkraften sågen mot användaren i hög hastighet.
- Om klingan böjs eller blir felriktad i sågskäret kan sågtänderna på klingans bakkant gräva sig in på ytan av arbetsstycket, driva klingan ur skäret och kasta sågen bakåt mot användaren.

Bakåtkast beror på ovarsamhet och/eller felaktiga arbetsrutiner och kan undvikas genom att vidta nedanstående förebyggande åtgärder.

1. **Håll sågen stadigt med båda händerna och placera armarna så att de kan ta emot kraften från ett bakåtkast. Stå vid sidan av klingan och aldrig i dess linje.** Vid ett bakåtkast kastas sågen bakåt, men kraften i bakåtkastet kan kontrolleras av användaren om rätt försiktighetsåtgärder vidtas.
2. **Om klingan kläms eller av annan orsak hindras i skäret ska du släppa avtryckaren och hålla sågen stilla i skäret tills klingan har stannat. För att undvika bakåtkast ska du aldrig försöka ta bort sågen från arbetsstycket eller dra sågen bakåt när klingan är i rörelse.** Undersök och åtgärda orsaken till att klingan fastnar.
3. **När sågen startas igen i arbetsstycket ska du centrera sågklingan i skäret och kontrollera att ingen sågtand är i ingrepp i materialet.** Om sågbladet sitter fast i materialet kan sågen klättra upp eller medföra bakåtkast när sågen startas på nytt.
4. **Stötta långa arbetsstycken för att minimera risken för att klingan nyper fast och ger bakåtkast.** Långa arbetsstycken böjs av sin egen tyngd. Placera stöd på båda sidorna, både nära såglinjen och vid kanten på arbetsstycket.

### ► Fig.2

### ► Fig.3

5. **Använd aldrig slöa eller skadade klingor.** En oskarp eller felinställd klinga ger ett trångt sågskär som orsakar onödigt friktion och klingan kan lättare fastna och ge bakåtkast.
6. **Klingdjup och nivåinställda låsspakar måste vara åtdragna och låsta innan sågning.** Om klingans justering skiftar under sågning kan det orsaka att den nyper fast och ger bakåtkast.
7. **Var extra uppmärksam vid sågning i väggar eller andra dolda utrymmen.** Den utskjutande klingan kan säga av föremål som kan orsaka bakåtkast.
8. **Håll ALLTID maskinen stadigt med båda händerna. Placera ALDRIG handen, benet eller någon annan kroppsdel under bottenplattan eller bakom sågen, i synnerhet vid tvärsågning.** Vid eventuella bakåtkast kan sågen lätt kastas bakåt mot handen och orsaka allvarliga skador.

### ► Fig.4

9. **Forcera aldrig sågen. Skjut sågen framåt med en sågningshastighet som låter klingan säga utan att tappa fart.** En såg som forceras ger ojämma skär, är svårare att styra och ger risk för bakåtkast.

### Skyddets funktion

1. **Kontrollera att det nedre skyddet är stängt före varje sågning. Använd inte sågen om det nedre skyddet kärvar och inte stängs omedelbart. Kila aldrig fast eller bind det nedre skyddet i öppet läge.** Om du tappar sågen kan det nedre skyddet böjas. Hög det nedre skyddet med handtaget och se till att det rör sig fritt och inte vidrör klingan eller någon annan del under någon sågvinkel eller något sågdjup.

2. **Kontrollera funktionen hos det nedre skyddets fjäder. Om skyddet eller fjädern inte fungerar på avsett vis ska sågen underhållas innan den används.** Det nedre skyddet kan fungera ojämnt på grund av skadade delar, gummiavlagringar eller andra ansamlingar.
3. **Det nedre skyddet får endast dras tillbaka manuellt inför specialsågning som "insticks-sågning" och "geringsågning".** Hög det nedre skyddet med hjälp av handtaget och släpp det nedre skyddet så snart klingan går in i materialet. Under alla andra typer av sågning ska det nedre skyddets automatiska funktion användas.
4. **Kontrollera alltid att det nedre skyddet täcker klingan innan du ställer ned sågen på ett arbetsbordet eller på golvet.** En oskyddad klinga som roterar medför att sågen vandrar bakåt och sågar i allt som kommer i dess väg. Tänk på att det tar en stund innan klingan stannar efter att du har släppt avtryckaren.
5. **Kontrollera det nedre skyddet genom att öppna det manuellt och sedan släppa det och observera skyddets stängning. Kontrollera även att handtaget inte vidrör verktygshuset.** Att lämna klingan oskyddad är MYCKET FARLIGT och kan leda till allvarliga personskador.
11. **Håll klingan vass och ren.** Gummi- och trärester på klingan hindrar sågningen och ökar risken för bakåtkast. Ta bort klingan från sågen och gör rent den med ett borttagningsmedel för gummi- och trärester, varmt vatten och fotogen. Använd aldrig bensin.
12. **Använd alltid andningsmask och hörselskydd när du arbetar med verktyget.**
13. **Använd alltid ett sågblad som är avsett för att skära i det avsedda materialet.**
14. **Använd endast sågblad som är märkta med ett maximalt varvtal som är lika med eller högre än varvtalet som är märkt på maskinen.**
15. **(endast för länder i Europa)**  
Använd alltid blad som överensstämmer med EN847-1.

## SPARA DESSA ANVISNINGAR.

**⚠ VARNING: GLÖM INTE** att också fortsättningsvis strikt följa säkerhetsanvisningarna för maskinen även efter att du blivit van att använda den. Vid FELAKTIG HANTERING av maskinen eller om inte säkerhetsanvisningarna i denna bruksanvisning följs kan följden bli allvarliga personskador.

## Viktiga säkerhetsanvisningar för batterikassetten

### Ytterligare säkerhetsvarningar

1. **Var extra försiktig vid sågning i fuktigt, tryckbehandlat och kvistigt trä.** Bibehåll mjuk rörelse framåt med maskinen, utan att klingans hastighet minskar, för att undvika överhettning av klingspetsarna.
  2. **Ta aldrig bort sågat material medan klingan rör sig.** Vänta tills klingan har stannat innan du tar bort det sågade materialet. Klingan stannar inte omedelbart när maskinen stängs av.
  3. **Undvik att såga i spik.** Kontrollera arbetsstycket och ta bort alla spikar innan du börjar såga.
  4. **Placera större delen av sågbordet på den del av arbetsstycket som har ett fast stöd och inte på den del som ska sågas bort.** Kläm fast arbetsstycket som är små eller korta. **FÖRSÖK INTE ATT HÅLLA SMÅ ARBETSSTYCKEN I HANDEN!**
- Fig.5
5. **Kontrollera att skyddet är stängt och att klingan har stannat innan du ställer ifrån dig sågen.**
  6. **Använd aldrig cirkelsågen upp-och-nedvänd i ett skruvstöd.** Det är extremt farligt och kan leda till allvarliga olyckor.
- Fig.6
7. **Vissa material kan innehålla giftiga kemikalier. Se till att du inte andas in damm eller får det på huden.** Följ anvisningarna i leverantörens materialsäkerhetsblad.
  8. **Försök inte stoppa klingorna genom att trycka på dem.**
  9. **Använd inte några slipskivor.**
  10. **Använd endast sågklingor med den diameter som finns markerad på maskinen eller angiven i handboken.** Om en klinga med fel storlek används kan det påverka skyddet för klingan eller skyddets funktion vilket kan resultera i allvarlig personskada.
  1. **Innan batterikassetten används ska alla instruktioner och varningsmärken på (1) batteriladdaren, (2) batteriet och (3) produkten läsas.**
  2. **Montera inte isär batterikassetten.**
  3. **Om drifttiden blivit avsevärt kortare ska användningen avbrytas omedelbart.** Det kan uppstå överhettning, brännskador och t o m en explosion.
  4. **Om du får elektrolyt i ögonen ska de sköljas med rent vatten och läkare uppsöks omedelbart.** Det finns risk för att synen förloras.
  5. **Kortslut inte batterikassetten.**
    - (1) Rör inte vid polerna med något strömförande material.
    - (2) Undvik att förvara batterikassetten tillsammans med andra metallobjekt som t.ex. spikar, mynt o.s.v.
    - (3) Skydda batteriet mot vatten och regn.
  5. **En batterikortslutning kan orsaka ett stort strömflöde, överhettning, brand och maskinhaveri.**
  6. **Förvara inte maskinen och batterikassetten på platser där temperaturen kan nå eller överstiga 50 °C.**
  7. **Bränn inte upp batterikassetten även om den är svårt skadad eller helt utsliten.** Batterikassetten kan explodera i öppen eld.
  8. **Var försiktig så att du inte råkar tappa batteriet och utsätt det inte för stötar.**
  9. **Använd inte ett skadat batteri.**

10. **De medföljande litiumjonbatterierna är föremål för kraven i gällande lagstiftning för farligt gods.**

För kommersiella transporter (av t.ex. tredje parter som speditorsfirmor) måste de särskilda transportkrav som anges på emballaget och etiketter iakttagas.

För att förbereda den produkt som ska avsändas krävs att du konsulterar en expert på riskmaterial. Var också uppmärksam på att det i ditt land kan finnas ytterligare föreskrifter att följa.

Tejpa över eller maskera blottade kontakter och packa batteriet på sådant sätt att det inte kan röra sig fritt i förpackningen.

11. **Följ lokala föreskrifter beträffande avfallshandling av batteriet.**
12. **Använd endast batterierna med de produkter som specificerats av Makita.** Att använda batterierna med ej godkända produkter kan leda till brand, överdriven värme, explosion eller utläckande elektrolyt.

## SPARA DESSA ANVISNINGAR.

**⚠FÖRSIKTIGT:** Använda endast äkta Makita-batterier. Användning av oäkta Makita-batterier eller batterier som har manipulerats kan leda till person- och utrustningsskador eller till att batteriet fattar eld. Det upphäver också Makitas garanti för verktyget och laddaren.

## Tips för att uppnå batteriets maximala livslängd

1. **Ladda batterikassetten innan den är helt urladdad. Stanna alltid maskinen och ladda batterikassetten när du märker att maskinen blir svagare.**
2. **Ladda aldrig en fulladdad batterikasset. Överladdning förkortar batteriets livslängd.**
3. **Ladda batterikassetten vid en rumstemperatur på 10 °C - 40 °C. Låt en varm batterikasset svalna innan den laddas.**
4. **Ladda batterikassetten om du inte har använt den på länge (mer än sex månader).**

## FUNKTIONS BESKRIVNING

### ⚠FÖRSIKTIGT:

- Se alltid till att maskinen är avstängd och batterikassetten borttagen innan du justerar eller kontrollerar maskinens funktioner.

## Montera eller demontera batterikassetten

► **Fig.7:** 1. Röd indikator 2. Knapp 3. Batterikasset

### ⚠FÖRSIKTIGT:

- Stäng alltid av maskinen innan du monterar eller tar bort batterikassetten.
- **Håll stadigt i maskinen och batterikassetten när du installerar eller tar bort batterikassetten.** Om du inte håller stadigt i maskinen och batterikassetten kan de halka ur dina händer och skadas samt orsaka personskada.

Ta bort batterikassetten genom att skjuta ner knappen på kassetens framsida samtidigt som du drar ut batterikassetten.

Sätt i batterikassetten genom att rikta in tungan på batterikassetten mot spåret i höljet och skjut den på plats. Tryck in batterikassetten ordentligt tills den låser fast med ett klick. Om du kan se den röda indikatorn på knappens ovansida är batterikassetten inte låst ordentligt.

### ⚠FÖRSIKTIGT:

- Sätt alltid i batterikassetten helt tills den röda indikatorn inte längre syns. I annat fall kan den oväntat falla ur maskinen och skada dig eller någon annan.
- Montera inte batterikassetten med våld. Om kassetten inte lätt glider på plats är den felinsatt.

## Batteriskyddssystem (litium-ion-batteri med stjärnmarkering)

► **Fig.8:** 1. Stjärnmarkering

Litium-ion-batterier med en stjärnmarkering är utrustade med ett skyddssystem. Detta system bryter automatiskt strömmen till maskinen för att förlänga batteriets livslängd. Maskinen stanna automatiskt under användningen om maskinen och/eller batteriet hamnar i en av följande situationer:

- **Överbelastad:**  
Maskinen används på ett sätt som orsakar att den förbrukar onormalt mycket ström. I detta läge släpper du avtryckaren på maskinen och stoppar aktiviteten som orsakar att maskinen blir överbelastad. Tryck sedan in avtryckaren igen för att starta om.  
Om maskinen inte startar är batteriet överhettat. Låt då batteriet svalna innan du trycker in avtryckaren igen.
- **Batterispänningen faller:**  
Den kvarvarande batterikapaciteten är för låg och maskinen fungerar inte. I detta läge tar du bort batteriet och laddar det.



## Indikerar kvarvarande batterikapacitet

Endast för batterikassetter med indikator

► Fig.9: 1. Indikatorlampor 2. Kontrollknapp

Tryck på kontrollknappen på batterikassetten för att se kvarvarande batterikapacitet. Indikatorlamporna lyser i ett par sekunder.

Indikatorlampor			Kvarvarande kapacitet
Upplyst	Av	Blikar	
■	□	◐	75% till 100%
■	■	■	
■	■	□	50% till 75%
■	■	□	25% till 50%
■	□	□	0% till 25%
◐	□	□	Ladda batteriet.
■	■	□	Batteriet kan ha skadats.
□	□	■	

**OBS:** Beroende på användningsförhållanden och den omgivande temperaturen kan indikationen skilja sig lätt från den faktiska batterikapaciteten.

## Inställning av hyvlingdjup

► Fig.10: 1. Spak

### ⚠ FÖRSIKTIGT:

- Dra alltid åt spärren ordentligt efter att skärdjupet justerats.

Lossa spärren på sidan av det bakre handtaget och flytta sågbordet uppåt eller nedåt. Fäst sågbordet med spärren när du har ställt in sågdjupet.

Bästa sågresultat och säkraste sågning erhålls om sågdjupet ställs in så att endast en sågtand syns på arbetsstyckets undersida. Rätt inställning av sågdjupet bidrar till att minska risken för BAKÅTKAST som kan medföra allvarliga personskador.

## Vinkelsågning

► Fig.11: 1. Spak

Lossa spärren på vinkelskalan på sågbordet. Ställ in önskad vinkel (0° - 50°), dra sedan åt spärren ordentligt.

## Inriktning

► Fig.12: 1. Bottenplatta 2. Skärlinje

För raka skår används position A framtill på sågbordet för att rikta in såglinjen. För 45° vinkelsågning används position B.

## Avtryckarens funktion

► Fig.13: 1. Startspärr 2. Avtryckarknapp

### ⚠ FÖRSIKTIGT:

- Innan du sätter i batterikassetten i maskinen ska du kontrollera att avtryckaren fungerar och återgår till läget "OFF" när du släpper den.
- Tryck inte in avtryckaren utan att ha tryckt in säkerhetsspärren. Det kan skada avtryckaren.

Säkerhetsspärrens funktion är att förhindra att avtryckaren oavsiktligt trycks in. Tryck in säkerhetsspärren och tryck sedan in avtryckaren för att starta maskinen. Släpp avtryckaren för att stoppa maskinen.

### ⚠ VARNING:

- Denna maskin är utrustad med en säkerhetsspärr som förhindrar oavsiktlig start. Använd ALDRIG maskinen om det startar när du trycker in avtryckaren utan att ha tryckt in säkerhetsspärren. Returnera maskinen till MAKITA servicecenter för reparation INNAN du fortsätter att använda den.
- Sätt ALDRIG säkerhetsspärren ur funktion genom att t ex tejpa över den.

## Tända lampan

### ⚠ FÖRSIKTIGT:

- Titta inte in i ljuset eller direkt i ljuskällan.

Om du endast vill tända lampan trycker du in avtryckaren utan att först trycka på säkerhetsspärren. Om du både vill tända lampan och starta maskinen trycker du på avtryckaren samtidigt som du håller säkerhetsspärren intryckt.

### OBS:

- Använd en bomullspinne för att torka bort smuts från lampglaset. Var försiktig så att inte lampglaset repas eftersom ljuset då kan bli svagare.
- Använd inte bensin, thinner eller liknande för att rengöra lampan. Sådana ämnen skadar glaset.

## MONTERING

### ⚠ FÖRSIKTIGT:

- Se alltid till att maskinen är avstängd och batterikassetten borttagen innan du underhåller maskinen.

## Montera eller ta bort klingan

► **Fig.14:** 1. Spindelläs

► **Fig.15:** 1. Insexnyckel

### **FÖRSIKTIGT:**

- Montera klingan med sågtänderna uppåt i maskinens framkant.
- Använd endast medföljande insexnyckel från Makita för att montera eller demontera sågklingan.

Ta bort klingan genom att trycka på spindelläset så att klingan inte kan rotera och lossa bulten moturs med insexnyckeln. Ta sedan bort insexbulten, den yttre flänsen och klingan.

Montera klingan i omvänd ordning. SE TILL ATT DRA ÅT INSEXBULTEN MEDURS ORDENTLIGT.

► **Fig.16:** 1. Sexkantskruv 2. Yttre fläns 3. Sågblad 4. Innerfläns

Tänk på att rengöra övre och nedre klingskyddet från spån och partiklar i samband med klingbytet. Denna rengöring får dock aldrig ersätta kontrollen av det nedre skyddet inför varje användningstillfälle.

## Förvaring av insexnyckel

► **Fig.17:** 1. Insexnyckel

Förvara insexnyckeln enligt figuren när den inte används så att du alltid har den till hands.

## Anslutning av en dammsugare

### *Valfria tillbehör*

► **Fig.18:** 1. Dammunestycke 2. Skruv

► **Fig.19:** 1. Dammunestycke 2. Slang 3. Dammsugare

Anslut en dammsugare från Makita när du vill ha rent under sågningen. Monter dammsugaranslutningen på maskinen med skruven. Anslut sedan dammsugarsslangen på dammsugaranslutningen på det sätt som visas i figuren.

## ANVÄNDNING

### **FÖRSIKTIGT:**

- Skjut alltid in batterikassetten ordentligt tills den låses på plats. Om du kan se den röda delen på knappens ovansida är den inte riktigt låst. Skjut in den helt tills den röda delen inte längre syns. I annat fall kan batterikassetten lossna oväntat från maskinen och skada dig eller någon annan.
- Se till att maskinen förs mjukt längs en rät linje. Om du tvingar eller vrider sågen överhettas motorn och det finns risk för kraftiga bakåtkast som kan medföra allvarliga skador.
- Om maskinen används löpande tills batteriet är tomt bör maskinen vila 15 minuter innan arbetet fortsätter med ett laddat batteri.

► **Fig.20**

Håll maskinen stadigt. Maskinen är försett med handtag både fram och bak. Använd båda handtagen för att hålla maskinen stadigt. Om du håller med båda händerna i sågen kan de inte skadas av klingan. Ställ ned sågbordet på arbetsstycket utan att klingan kommer i kontakt. Starta maskinen och vänta tills klingan uppnått full hastighet. För nu maskinen framåt över arbetsstyckets yta. Håll maskinen plant och fortsatt mjukt framåt tills sågningen är klar.

Hålla rak såglinje och för maskinen med jämn hastighet framåt för att få renast möjliga snittytor. Försök inte att vrida eller tvinga maskinen tillbaka i såglinjen om den avsedda såglinjen inte kan följas. I så fall kan klingan fastna och farliga bakåtkast inträffa med risk för allvarliga skador som följd. Släpp avtryckaren, vänta tills klingan har stannat och ta sedan bort maskinen. Rikta in maskinen längs en ny såglinje och starta sågningen på nytt. Undvik att stå så att du utsätts för spån och damm som kastas ut från sågen. Använd skyddsglasögon för att undvika skador.

## Parallellanslag (anslagsskena) (Tillbehör)

► **Fig.21**

Ett praktiskt parallellanslag underlättar raka skär. Placera parallellanslaget dikt an mot arbetsstyckets sida och lås fast det med skruven framtill på sågbordet. Parallellanslaget kan också användas när du vill såga flera arbetsstycken med samma bredd.

## UNDERHÅLL

### **FÖRSIKTIGT:**

- Se alltid till att maskinen är avstängd och batterikassetten borttagen innan inspektion eller underhåll utförs.
- Använd inte bensen, thinner, alkohol eller liknande. Missfärgning, deformation eller sprickor kan uppstå.

## Inställning för exakt 90° sågning (vertikal sågning)

Den här justeringen gjordes i fabriek. Om den har ändrats, justera justeringssskruvarna med en insexnyckel, samtidigt som du kontrollerar 90° vinkel på klingan mot sågbordet med en vinkelhake e dyl.

► **Fig.22:** 1. Justeringssskruv för 90°

► **Fig.23:** 1. Vinkelhake

## Byte av kolborstar

► **Fig.24:** 1. Slitmarkering

Ta bort och kontrollera kolborstarna regelbundet. Byt dem när de är slitna ner till slitmarkeringen. Håll kolborstarna rena så att de lätt kan glida in i hållarna. Båda kolborstarna ska bytas ut samtidigt. Använd endast identiska kolborstar.

Använd en skruvmejsel för att ta bort locken till kolborstarna. Ta ur de utslitna kolborstarna, montera nya och montera locken.

► **Fig.25: 1. Kolhållarlock 2. Skruvmejsel**

För att upprätthålla produktens SÄKERHET och TILLFÖRLITLIGHET bör allt underhålls- och justeringsarbete utföras av ett auktoriserat Makita servicecenter och med reservdelar från Makita.

## VALFRIA TILLBEHÖR

### **FÖRSIKTIGT:**

- Dessa tillbehör och tillsatser rekommenderas för användning tillsammans med den Makita-maskin som denna bruksanvisning avser. Om andra tillbehör eller tillsatser används kan det uppstå risk för personskador. Använd endast tillbehören eller tillsatserna för de syften de är avsedda för.

Kontakta ditt lokala Makita servicecenter om du behöver ytterligare information om dessa tillbehör.

- Sågklingor
- Parallellanslag (anslagsskena)
- Insexnyckel 5
- Dammunstycke
- Makitas originalbatteri och -laddare

### **OBS:**

- Några av tillbehören i listan kan vara inkluderade i maskinpaketet som standardtillbehör. De kan variera mellan olika länder.

## TEKNISKE DATA

Modell	DSS500		DSS501	
Bladdiameter	136 mm			
Maks. skjæredybde	ved 90°	51 mm		
	ved 45°	35 mm		
Hastighet uten belastning (min <sup>-1</sup> )	3 600			
Total lengde	359 mm		364 mm	
Nettovekt	2,3 - 2,6 kg		2,4 - 2,7 kg	
Merkespenning	DC 14,4 V		DC 18 V	

- På grunn av vårt kontinuerlige forsknings- og utviklingsprogram kan spesifikasjonene som oppgis i dette dokumentet endres uten varsel.
- Spesifikasjonene kan variere fra land til land.
- Vekten kan variere avhengig av tilbehør/tilbehørene, inkludert batteriet. Den letteste og tyngste kombinasjonen, i henhold til EPTA-prosedyre 01/2014, vises i tabellen.

### Passende batteri og lader

Batteriinnsets	DC 14,4 V modell	BL1415N / BL1430 / BL1430B / BL1440 / BL1450 / BL1460B
	DC 18 V modell	BL1815N / BL1820 / BL1820B / BL1830 / BL1830B / BL1840 / BL1840B / BL1850 / BL1850B / BL1860B
Lader	DC18RC / DC18RD / DC18RE / DC18SD / DC18SE / DC18SF	

- Noen av batteriene og laderne som er opplistet ovenfor er kanskje ikke tilgjengelige, avhengig av hvor du bor.

**⚠ ADVARSEL: Bruk kun de batteriene og laderne som er opplistet ovenfor.** Bruk av andre batterier og ladere kan føre til personskader og/eller brann.

#### Beregnet bruk

Verktøyet er beregnet på saging av langsgående og tversgående rette snitt og gjæringsnitt med vinkler i tre, mens det er i tett kontakt med arbeidsemnet.

#### Støy

Typisk A-vektet lydtrykknivå er bestemt i henhold til EN62841:

##### Modell DSS500

Lydtrykknivå ( $L_{pA}$ ): 91 dB (A)  
 Lydeffektnivå ( $L_{WA}$ ): 102 dB (A)  
 Usikkerhet (K): 3 dB (A)

##### Modell DSS501

Lydtrykknivå ( $L_{pA}$ ): 92 dB (A)  
 Lydeffektnivå ( $L_{WA}$ ): 103 dB (A)  
 Usikkerhet (K): 3 dB (A)

#### Bruk hørselvern

#### Vibrasjon

Den totale vibrasjonsverdien (triaksial vektorsum) bestemt i henhold til EN62841:

Arbeidsmåte: Saging av tre  
 Genererte vibrasjoner ( $a_{h,w}$ ): 2,5 m/s<sup>2</sup> eller mindre  
 Usikkerhet (K): 1,5 m/s<sup>2</sup>

**MERK:** Den angitte verdien for de genererte vibrasjonene er blitt målt i samsvar med standardtestmetoden og kan brukes til å sammenlikne et verktøy med et annet.

**MERK:** Den angitte verdien for de genererte vibrasjonene kan også brukes til en foreløpig vurdering av eksponeringen.

**⚠ ADVARSEL:** De genererte vibrasjonene ved faktisk bruk av elektroverktøyet kan avvike fra den oppgitte vibrasjonsverdien, avhengig av hvordan verktøyet brukes.

**⚠ ADVARSEL:** Vær påpasselig med å finne sikkerhetstiltak som beskytter operatøren, basert på en oppfatning av risiko under faktiske bruksforhold (på bakgrunn av alle sider ved brukssyklusen, som når verktøyet slås av og når det går på tomgang, i tillegg til oppstarten).

## EFs samsvarserklæring

### Gjelder kun for land i Europa

EFs samsvarserklæring er lagt til som vedlegg A i denne bruksanvisningen.

## Generelle advarsler angående sikkerhet for elektroverktøy

**⚠ ADVARSEL:** Les alle sikkerhetsadvarsler, instruksjoner, illustrasjoner og spesifikasjoner som følger med dette elektroverktøyet. Hvis ikke alle instruksjonene nedenfor følges, kan det forekomme elektrisk støt, brann og/eller alvorlig skade.

## Oppbevar alle advarsler og instruksjoner for senere bruk.

Uttrykket «elektrisk verktøy» i advarslene refererer både til elektriske verktøy (med ledning) tilkoblet strømmenettet, og batteridrevne verktøy (uten ledning).

## Sikkerhetsadvarsler for batteridrevet sirkelsag

### Skjæreprosedyrer

1. **⚠ FARE:** Hold hendene unna kappeområdet og bladet. Hold den andre hånden på hjelpehåndtaket eller motorhuset. Hvis du holder sagen med begge hendene, risikerer du ikke at de blir skåret av bladet.
2. **Ikke strekk deg under arbeidsstykket.** Bladvernet kan ikke beskytte deg mot bladet under arbeidsemnet.
3. **Juster dybden på kutt til tykkelsen på arbeidsstykket.** Mindre enn en hel sagtann skal være synlig nedenfor arbeidsemnet.
4. **Du må aldri holde arbeidsstykket med hendene eller la det ligge tvers over bena dine når det kuttes. Sikre arbeidsstykket på en stødig plattform.** Det er viktig å støtte arbeidsstykket ordentlig for å gjøre risikoen minst mulig for å få skader, for at bladet skal sette seg fast, eller for at du skal miste kontrollen.

### ► Fig.1

5. **Hold elektroverktøyet i de isolerte gripeflatene når skjæreverktøyet kan komme i kontakt med skjulte ledninger eller sin egen ledning under arbeidet.** Kontakt med en strømførende ledning kan føre til at metalldelene på elektroverktøyet også blir strømførende, og kan gi brukeren elektrisk støt.
6. **Ved kløyving må du alltid bruke et parallellanlegg eller en føring med rett kant.** Dette forbedrer nøyaktigheten av kuttet og reduserer risikoen for at bladet skal sette seg fast.
7. **Det må alltid brukes blader med riktig størrelse og form (diamant eller rund) på akselhullet.** Blader som ikke passer til monteringsmekanismen på sagen vil svive ute av senter og bli umulige å kontrollere.
8. **Bruk aldri mellomleggsskiver til bladet eller en bolt som er skadd eller ikke passer.** Mellomleggsskivene for bladet og boltene er spesielt utformet for sagen, for optimal ytelse og sikker drift.

### Tilbakeslag oppstår og relaterte advarsler

- Tilbakeslag er en plutselig reaksjon på et klemt, fastsittende eller feiljustert sagblad, som kan føre til at en sag som ikke holdes godt fast blir løftet opp og ut av arbeidsstykket, og mot operatøren.
- Når bladet kommer i klem eller setter seg fast ved at snittet lukker seg, stopper bladet, og motoren driver enheten hurtig tilbake mot operatøren.
- Hvis bladet blir vridd eller feiljustert i snittet, vil tennene i bakkant av bladet grave seg inn i den øvre kanten av arbeidsemnet, slik at bladet arbeider seg ut av snittet og spretter tilbake mot operatøren.

Tilbakeslag er et resultat av feil bruk av sagen og/eller feilaktige arbeidsprosedyrer eller arbeidsforhold, og kan unngås hvis man tar de rette forholdsregler (se nedenfor).

1. **Hold sagen i et fast grep med begge hender, og hold armene dine slik at de kan motstå kraften fra sagen i tilfelle den slår tilbake mot deg. Posisjoner kroppen på den ene siden av bladet, men ikke på linje med det.** Tilbakeslag kan føre til at sagen hopper bakover. Tilbakeslagene kan imidlertid kontrolleres av brukeren, hvis brukeren tar de rette forholdsreglene.
2. **Når bladet setter seg fast, eller når du av en eller annen grunn vil avbryte sagingen, må du slippe startbryteren og holde sagen i ro i materialet inntil bladet har stoppet helt. Du må aldri forsøke å fjerne sagen fra arbeidsemnet eller å trekke den bakover mens bladet er i bevegelse, da dette kan få sagen til å slå tilbake.** Undersøk hvorfor bladet setter seg fast og sett i verk avhjelpende tiltak.
3. **Når du starter sagen i arbeidsstykket igjen, må du sentrere sagbladet i snittet slik at sagtennene ikke griper inn i materialet.** Hvis et sagblad sitter fast, kan det løfte seg opp eller føre til at sagen slår tilbake mot deg når den startes igjen.
4. **Støtt opp større plater for å redusere risikoen så mye som mulig for at bladet kommer i bek-nip, og for tilbakeslag.** Større plater har en tendens til å bøye seg under sin egen vekt. Støttene må plasseres under platen på begge sider, nær kappelinjen og nær kantene av platen.

### ► Fig.2

### ► Fig.3

5. **Ikke bruk sløve eller ødelagte blad.** Uskarpe eller feilaktig innstilte blad gir trangt snitt, noe som forårsaker kraftig friksjon, får bladet til å sette seg fast og resulterer i at sagen slår tilbake mot operatøren.
6. **Dette kan medføre tilbakeslag (kickback) som kan gi alvorlige personskafer.** Bladdybden og låsehendlene for avfasingjusteringen må være strammet og festet før snittet gjøres.
7. **Vær ekstra forsiktig når du sager i eksisterende vegger eller andre områder uten innsyn.** Det fremstikkende bladet kan treffe gjenstander som kan forårsake tilbakeslag.
8. **Hold ALLTID maskinen fast med begge hender. Plasser ALDRIG hånden, benet eller noen annen kroppsdell under maskinfoten eller bak sagen, særlig når du sager på tvers.** Hvis det skjer et tilbakeslag, kan sagen lett komme til å hoppe bakover over hånden din og forårsake alvorlige helseskader.

► Fig.4

9. **Bruk aldri makt på saken. Skyv saken fremover med en slik hastighet at bladet skjærer uten å miste fart.** Hvis du bruker makt på sagen, kan det gi ujevne snitt, uøyaktighet og muligheter for tilbakeslag.

**Vernfunksjon**

1. **Sjekk at det nedre vernet er ordentlig lukket før hver gang maskinen tas i bruk. Ikke begynn å bruke sagen hvis det nedre vernet ikke beveger seg fritt og lukker seg momentant. Det nedre vernet må aldri klemmes fast eller bindes opp i åpen stilling.** Hvis sagen ved et ulykkestilfelle skulle falle ned, kan det nedre vernet bli bøyd. Løft det nedre vernet med hevehendelen og forvis deg om at det beveger seg fritt og ikke berører bladet eller andre deler, uansett snittvinkel eller -dybde.
2. **Kontroller at fjæren til det nedre vernet virker som den skal. Hvis vernet og fjæren ikke fungerer som de skal, må de etterses før bruk.** Det nedre vernet kan gå tregt pga. ødelagte deler, gummiavleiringer eller opphopning av spon.
3. **Det nedre vernet kan trekkes tilbake manuelt bare i forbindelse med spesielle typer snitt, som f.eks. innstikk og kombinasjonssaging.** Hev det nedre vernet ved hjelp av hevehendelen og slipp det så snart bladet går inn i materialet. For all annen saging bør det nedre vernet få lov til å fungere automatisk.
4. **Pass på at det nedre vernet alltid dekker bladet før du setter saken ned på benken eller gulvet.** Et ubeskyttet, roterende blad vil få sagen til å bevege seg bakover mens bladet kapper alt som kommer i dets vei. Vær oppmerksom på at bladet trenger en viss tid for å stoppe etter at bryteren er sluppet.
5. **Kontroller det nedre vernets funksjon ved å åpne det for hånd, slippe det og kontrollere at det lukkes. Kontroller også at hevehendelen ikke berører verktøyhuset.** Et eksponert blad er SVÆRT FARLIG og kan føre til alvorlig personskade.

**Flere sikkerhetsadvarsler**

1. **Vær ekstra forsiktig ved skjæring i fuktig tre, trykkbehandlet tømmer eller tømmer med kvist.** Unngå overoppheting av bladspissene ved å bevege bladet jevnt fremover uten reduksjon i bladhastigheten.
2. **Ikke forsøk å fjerne kapp mens bladet er i bevegelse. Vent til bladet stopper før du griper det materialet som er kappet.** Bladene roterer fritt etter at maskinen er slått av.
3. **Unngå å skjære i spiker. Se etter og fjern all spiker fra arbeidsemnet før arbeidet påbegynnes.**
4. **Sett den bredeste delen av sagfoten på den delen av arbeidsemnet som er godt støttet opp, ikke på den delen som kommer til å falle av når snittet er fullført. Hvis arbeidsemnet er kort eller lite, må det klemmes fast. IKKE FORSØK Å HOLDE KORTE STYKKER MED HÅNDEN!**

► Fig.5

5. **Før du setter verktøyet ned etter å ha fullført et kutt, må du forvise deg om at vernet er lukket og at bladet har stoppet helt.**
6. **Forsøk aldri å sage mens sirkelsagen holdes opp ned i en skrustikke. Dette er ekstremt farlig og kan forårsake alvorlige ulykker.**

► Fig.6

7. **Enkelte materialer inneholder kjemikalier som kan være giftige. Treff tiltak for å hindre hudkontakt og innånding av støv. Følg leverandørens sikkerhetsanvisninger.**
8. **Ikke stopp bladene ved å presse sideveis på sagbladet.**
9. **Ikke bruk slipeskiver.**
10. **Bruk bare sagbladet med diameter som er merket på verktøyet eller spesifisert i håndboken.** Bruk av et blad med feil størrelse kan påvirke riktig beskyttelse av bladet eller bruk av bladvernet, som kan resultere i alvorlig personskade.
11. **Hold bladet skarpt og rent.** Harpiks og bek som størkner på bladene reduserer turtallet på sagen og øker risikoen for tilbakeslag. Hold bladet rent ved først å ta det av verktøyet og deretter gjøre det rent med en harpiks- og bekfjerner, varmt vann eller parafin. Du må aldri bruke bensin.
12. **Bruk en støvmaske og hørselsvern når du bruker verktøyet.**
13. **Bruk alltid sagbladet som er beregnet på kutting av materialet som du skal kutte.**
14. **Bruk bare sagbladene som er merket med en hastighet som er lik eller høyere enn hastigheten som er merket på verktøyet.**
15. **(Kun land i Europa.)**  
Bruk alltid bladet som overholder EN847-1.

## TA VARE PÅ DISSE INSTRUKSENE.

**⚠ADVARSEL:** IKKE LA hensynet til hva som er "behagelig" eller det faktum at du kjenner produktet godt (etter mange gangers bruk) gjøre deg mindre oppmerksom på sikkerhetsreglene for bruken av det aktuelle produktet. Ved MISBRUK eller hvis ikke sikkerhetsreglene i denne bruksanvisningen følges, kan det oppstå alvorlig personskade.

## Viktige sikkerhetsanvisninger for batteriinnsetts

1. **Før du begynner å bruke batteriet, må du lese alle anvisninger og forsiktighetsregler på (1) batteriladeren, (2) batteriet og (3) det produktet batteriet skal brukes i.**
2. **Ikke ta fra hverandre batteriet.**
3. **Hvis driftstiden er blitt vesentlig kortere, må du omgående slutte å bruke maskinen. Hvis ikke kan resultatet bli overoppheting, mulige forbrenninger eller til og med en eksplosjon.**
4. **Hvis du får elektrolytt i øynene, må du skylle dem med store mengder rennende vann og oppsøke lege med én gang. Denne typen uhell kan føre til varig blindhet.**

5. Ikke kortslutt batteriet:
- (1) De kan være ekstremt varme og du kan brenne deg.
  - (2) Ikke lagre batteriet i samme beholder som andre metallgjenstander, som for eksempel spiker, mynter osv.
  - (3) Ikke la batteriet komme i kontakt med vann eller regn.

En kortslutning av batteriet kan føre til et kraftig strømstøt, overoppvarming, mulige forbrenninger og til og med til at batteriet går i stykker.

6. Ikke lagre maskinen og batteriet på steder hvor temperaturen kan komme opp i eller overskride 50 °C.
7. Ikke sett fyr på batteriet, ikke engang om det er sterkt skadet eller helt utslitt. Batteriet kan eksplodere hvis det begynner å brenne.
8. Vær forsiktig så du ikke mister batteriet eller utsetter det for slag.
9. Ikke bruk batterier som er skadet.
10. Lithium-ion-batteriene som medfølger er gjenstand for krav om spesialavfall. For kommersiell transport, f.eks av tredjeparter eller spedittører, må spesielle krav om pakking og merking følges. Før varen blir sendt, må du forhøre deg med en ekspert på farlig materiale. Ta også hensyn til muligheten for mer detaljerte nasjonale bestemmelser.
- Bruk teip eller maskeringsteip for å skjule åpne kontakter og pakk inn batteriet på en slik måte at den ikke kan bevege seg rundt i emballasjen.
11. Følg lokale bestemmelser for avhending av batterier.
12. Bruk batteriene kun med produkter spesifisert av Makita. Montere batteriene i produkter som ikke er konforme kan føre til brann, overheting eller elektrolyttlekkasje.

## TA VARE PÅ DISSE INSTRUKSENE.

**⚠FORSIKTIG:** Bruk kun originale Makita-batterier. Bruk av batterier som har endret seg, eller som ikke er originale Makita-batterier, kan føre til at batteriet sprekker og forårsaker brann, personskader og andre skader. Det vil også ugyldiggjøre garantien for Makita-verktøyet og -laderen.

## Tips for å opprettholde maksimal batterilevetid

1. Lad batteriinnsetningen før den er helt utladet. Stopp alltid driften av verktøyet og lad batteriinnsetningen når du merker at effekten reduseres.
2. Lad aldri en batteriinnsetning som er fulladet. Overoplading forkorter batteriets levetid.
3. Lad batteriet i romtemperatur ved 10 °C - 40 °C. Et varmt batteri må kjøles ned før lading.
4. Lad batteriet hvis det ikke har vært brukt på en lang stund (over seks måneder).

## FUNKSJONSBEKRIVELSE

### ⚠FORSIKTIG:

- Forviss deg alltid om at maskinen er slått av og batteriet tatt ut før du justerer maskinen eller kontrollerer dens mekaniske funksjoner.

## Sette inn eller ta ut batteri

► Fig.7: 1. Rød indikator 2. Knapp 3. Batteri

### ⚠FORSIKTIG:

- Slå alltid av verktøyet før du setter inn eller fjerner batteriet.
- **Hold godt rundt maskinen og batteriet når du setter inn eller tar ut batteriet.** Hvis du mister ned maskinen eller batteriet, kan dette forårsake personskader eller skader på maskinen/batteriet.

For å ta ut batteriet må du skyve på knappen foran på batteriet og trekke det ut.

Når du skal sette inn batteriet, må du plassere tungen på batteriet på linje med sporet i huset og skyve batteriet på plass. Skyv det helt inn til det går i inngrep med et lite klikk. Hvis du kan se den røde anviseren på oversiden av knappen, er det ikke gått skikkelig i lås.

### ⚠FORSIKTIG:

- Batteriet må alltid settes helt inn, så langt at den røde anviseren ikke lenger er synlig. Hvis du ikke gjør dette, kan batteriet falle ut av maskinen og skade deg eller andre som oppholder seg i nærheten.
- Ikke bruk makt når du setter i batteriet. Hvis batteriet ikke gli lett inn, er det fordi det ikke settes inn på riktig måte.

## Beskyttelsessystem for batteri (litiumionbatteri med stjernemerking)

► Fig.8: 1. Stjernemerking

Litiumionbatterier med stjernemerking er utstyrt med et beskyttelsessystem. Dette systemet slår automatisk av strømmen til verktøyet for å forlenge batteriets levetid. Verktøyet stopper automatisk ved drift hvis det og/eller batteriet utsettes for en av følgende tilstander:

- Overbelastning:  
Verktøyet brukes på en måte som gjør at det trekker uvanlig mye strøm. Slipp i så fall verktøyets startspake, og stopp arbeidet som forårsaket at verktøyet ble overbelastet. Trekk deretter i startutløseren igjen for å starte på nytt.  
Hvis verktøyet ikke starter, er batteriet overbelastet. I dette tilfellet, la batteriet kjøle seg ned før du drar i startbryteren igjen.
- Lav batterispenning:  
Gjenværende batterikapasitet er for lav, og verktøyet vil ikke fungere. I dette tilfellet, fjern og lad batteriet opp igjen.

## Indikere gjenværende batterikapasitet

**Kun for batterier med indikatoren**

► **Fig.9:** 1. Indikatorlamper 2. Kontrollknapp

Trykk på sjekk-knappen på batteriet for vise gjenværende batterikapasitet. Indikatorlampene lyser i et par sekunder.

Indikatorlamper			Gjenværende batterinivå
Tent	Av	Blinker	
			75 % til 100 %
			50 % til 75 %
			25 % til 50 %
			0 % til 25 %
			Lad batteriet.
			Batteriet kan ha en feil.

**MERK:** Det angitte nivået kan avvike noe fra den faktiske kapasiteten alt etter bruksforholdene og den omgivende temperaturen.

## Justere skjæredybden

► **Fig.10:** 1. Spak

### **FORSIKTIG:**

- Når du har justert skjæredybden, må du alltid stramme spaken godt.

Løse spaken på siden av det bakre håndtaket og flytt foten opp eller ned. Fest foten ved ønsket skjæredybde ved å stramme spaken.

For renere og sikrere kutt, må du stille inn skjæredybden slik at ikke mer enn én sagtann stikker ut under arbeidsemnet. Hvis skjæredybden er riktig, reduseres risikoen for farlige TILBAKESLAG som kan forårsake helseskader.

## Skråskjæring

► **Fig.11:** 1. Spak

Løse hendelen på skråkalaplaten på forsiden av foten. Still inn den ønskede vinkelen (0° - 50°) ved å vippe på maskinen, og stram deretter hendelen forsvarlig.

## Sikting

► **Fig.12:** 1. Feste 2. Skjærelinje

Ved skjæring av rette linjer, må A-merket foran på foten rettes inn mot skjærelinjen på arbeidsemnet. For 45° skråskjæring må B-merket rettes inn mot skjærelinjen.

## Bryterfunksjon

► **Fig.13:** 1. AV-sperrehendel 2. Startbryter

### **FORSIKTIG:**

- Før du setter batteriet inn i maskinen, må du alltid kontrollere at startbryteren aktiverer maskinen på riktig måte og går tilbake til "AV"-stilling når den slippes.
- Ikke trykk hardt på startbryteren uten å trykke på AV-sperrehendelen. Dette kan få bryteren til å brette.

For å unngå at startbryteren trykkes inn ved en feiltakelse, er maskinen utstyrt med en AV-sperrehendel. For å starte maskinen må du trykke på AV-sperrekappen og trykke inn startbryteren. Slipp startbryteren for å stoppe verktøyet.

### **ADVARSEL:**

- Av hensyn til sikkerheten, er denne sagen utstyrt med en AV-sperrehendel som forhindrer utilsikket start av maskinen. Sagen må ALDRI brukes hvis den begynner å gå bare du trykker på startbryteren, uten at du også må trykke på AV-sperrehendelen. Ta med maskinen til et MAKITA-servicenter for å få den reparert FØR videre bruk.
- AV-sperrehendelen må ALDRI holdes inne med tape, og den må ALDRI settes ut av funksjon.

## Tenne lampen

### **FORSIKTIG:**

- Ikke se inn i lyset eller se direkte på lyskilden.

Hvis du bare skal slå på lyset, må du trykke på startbryteren uten å trykke på AV-sperrehendelen. For å tenne lyset og slå på maskinen må du trykke inn AV-sperrehendelen og holde denne inne mens du trykker på startbryteren.

### **MERK:**

- Bruk en bomullspinne til å tørke støv osv. av lampelinsen. Vær forsiktig så det ikke blir riper i lampelinsen, da dette kan redusere lysstyrken.
- Bruk aldri bensin, tynner el. til å rengjøre linsen på lampen. Bruk av slike stoffer vil ødelegge linsen.

## MONTERING

### **FORSIKTIG:**

- Forviss deg alltid om at maskinen er slått av og batteriet tatt ut før du utfører noe arbeid på maskinen.



## Ta av eller monterer bladet

► **Fig.14:** 1. Spindellås

► **Fig.15:** 1. Sekskantnøkkel

### **⚠FORSIKTIG:**

- Sørg for at bladet monteres med tennene pekende opp foran på verktøyet.
- Bruk bare Makita-nøkkelen til å montere eller fjerne bladet.

For å ta av bladet må du trykke på spindellåsen så bladet ikke kan rotere, og bruke nøkkelen til å løsne sekskantskruen mot klokken. Fjern så sekskantskruen, den ytre flensen og bladet.

Monter bladet ved å følge fremgangsmåten for demontering i motsatt rekkefølge. **PASS PÅ Å STRAMME SEKSKANTSKRUEEN FORSVARLIG MED KLOKKEN.**

► **Fig.16:** 1. Sekskantskrue 2. Ytre flens 3. Sagblad 4. Indre flens

Når du skifter blad må du sørge for også å fjerne oppsamlede materialbiter og spon fra øvre og nedre bladvern. Du må imidlertid fortsatt kontrollere at nedre bladvern virker før hver gangs bruk.

## Oppbevare sekskantnøkkel

► **Fig.17:** 1. Sekskantnøkkel

Når sekskantnøkkelen ikke er i bruk, må du oppbevare den som vist i figuren slik at du ikke mister den.

## Koble til støvsuger

### Valgfritt tilbehør

► **Fig.18:** 1. Støvmunnstykke 2. Skruer

► **Fig.19:** 1. Støvmunnstykke 2. Slange 3. Støvsuger

Hvis du vil sage så rent som mulig, kan du koble en Makita-støvsuger til verktøyet ditt. Monter støvutløpet på maskinen med skruen. Koble deretter støvsugerslangen til støvutløpet som vist i figuren.

## BRUK

### **⚠FORSIKTIG:**

- Batteriet må alltid settes helt inn, til det låses på plass. Hvis du kan se den røde delen på oversiden av knappen, er det ikke gått skikkelig i lås. Sett batteriet helt inn, så langt at den røde delen ikke lenger er synlig. Hvis dette ikke gjøres, kan batteriet komme til å falle ut av verktøyet og skade deg eller andre som oppholder seg i nærheten.
- Sørg for å bevege verktøyet pent fremover i en rett linje. Hvis du bruker makt på eller vrir verktøyet, vil motoren bli overopphetet og maskinen kan slå tilbake mot brukeren. Dette er farlig og kan gi alvorlige personskader.
- Hvis verktøyet brukes kontinuerlig inntil batteriet er utladet, må du la verktøyet hvile i 15 minutter før du fortsetter med et nytt batteri.

► **Fig.20**

Hold verktøyet støtt. Verktøyet leveres med håndtak både foran og bak. Bruk begge for å få best mulig tak på verktøyet. Hvis du holder sagen med begge hendene, risikerer du ikke å skjære deg. Sett foten på det arbeidsemnet som skal kappes, uten at bladet kommer borti det. Slå på kutteren og vent til bladet oppnår full hastighet. Nå kan du ganske enkelt bevege sagen over overflaten på arbeidsemnet, holde den flatt og bevege den langsomt forover til sagingen er ferdig.

For å få rene kutt, må du sage i rett linje og med jevn hastighet. Hvis kuttet ikke følger skjærelinjen din helt som du ville, må du ikke forsøke å dreie eller tvinge verktøyet tilbake til skjærelinjen. Hvis du gjør det, kan bladet sette seg fast og gi farlig tilbakeslag. Dette kan gi alvorlige personskader. Slipp bryteren, vent til bladet stopper og trekk ut verktøyet. Still inn verktøyet på en ny skjærelinje og begynn sagingen på nytt. Forsøk å unngå en plassering som utsetter deg for en sprut av spon og sagmugg fra sagen. Bruk vernebriller for å redusere risikoen for skader.

## Parallellanlegg (føringslinjal) (tilbehør)

► **Fig.21**

Det praktiske parallellanlegget gjør det mulig å foreta ekstra nøyaktige rette kutt. Skyv ganske enkelt parallellanlegget tett opp til siden av arbeidsemnet og fest det med skruen foran på foten. Med parallellanlegget kan du dessuten skjære gjentatte ganger med samme bredde.

## VEDLIKEHOLD

### **⚠FORSIKTIG:**

- Forviss deg alltid om at maskinen er slått av og batteriet tatt ut før du foretar inspeksjon eller vedlikehold.
- Aldri bruk gasolin, bensin, tynner alkohol eller lignende. Det kan føre til misfarging, deformering eller sprekkdannelse.

## Justere nøyaktigheten for 90°-kutt (vertikalt kutt)

Denne justeringen er gjort på fabrikk. Men skulle den bli unøyaktig, justeres justeringsskruene med en sekskantnøkkel mens du bruker en trekantlinjal eller et vinkeljern til å kontrollere at bladet står i 90° vinkel på foten.

► **Fig.22:** 1. Justeringsskrue for 90°

► **Fig.23:** 1. Trekantlinjal

## Skifte kullbørster

► **Fig.24:** 1. Utskiftingsmerke

Fjern og kontroller kullbørstene med jevne mellomrom. Skift dem når de er slitt ned til utskiftingsmerket. Hold kullbørstene rene og fri til å bevege seg i holderne. Begge kullbørstene må skiftes samtidig. Bruk bare identiske kullbørster. Bruk en skrutekkey til å fjerne børsteholderhettene. Ta ut de slitte kullbørstene, sett i nye, og fest børsteholderhettene.

► **Fig.25: 1. Børsteholderhette 2. Skrutrekker**

For å opprettholde produktets SIKKERHET og PÅLITELIGHET, må reparasjoner, vedlikehold og justeringer utføres av Makitas autoriserte servicesentre, og det må alltid brukes reservedeler fra Makita.

## VALGFRITT TILBEHØR

### **FORSIKTIG:**

- Det anbefales at du bruker dette tilbehøret eller verktøyet sammen med den Makita-maskinen som er spesifisert i denne håndboken. Bruk av annet tilbehør eller verktøy kan forårsake helseskader. Tilbehør og verktøy må kun brukes til det formålet det er beregnet på.

Ta kontakt med ditt lokale Makita-servicesenter hvis du trenger mer informasjon om dette tilbehøret.

- Sagblad
- Parallellanlegg (føringslinjal)
- Sekskantnøkkel 5
- Støvmunnstykke
- Makita originalbatteri og lader

### **MERK:**

- Enkelte elementer i listen kan være inkludert som standardtilbehør i verktøypakken. Elementene kan variere fra land til land.

## TEKNISEET TIEDOT

Malli	DSS500		DSS501
Terän läpimitta	136 mm		
Maks. leikkaussyvyys	90° kulmassa	51 mm	
	45° kulmassa	35 mm	
Nopeus kuormittamattomana (min <sup>-1</sup> )	3 600		
Kokonaispituus	359 mm	364 mm	
Nettopaino	2,3 - 2,6 kg	2,4 - 2,7 kg	
Nimellisjännite	DC 14,4 V	DC 18 V	

- Jatkuvasta tutkimus- ja kehitystyöstämme johtuen esitetyt tekniset tiedot saattavat muuttua ilman erillistä ilmoitusta.
- Tekniset tiedot voivat vaihdella maittain.
- Paino voi olla erilainen lisävarusteista sekä akusta johtuen. EPTA-menettelytavan 01/2014 mukaisesti, taulukossa on kuvattu kevyin ja painavin laiteyhdistelmä.

### Käytettävä akkupaketti ja laturi

Akkupaketti	DC 14,4 V malli	BL1415N / BL1430 / BL1430B / BL1440 / BL1450 / BL1460B
	DC 18 V malli	BL1815N / BL1820 / BL1820B / BL1830 / BL1830B / BL1840 / BL1840B / BL1850 / BL1850B / BL1860B
Laturi	DC18RC / DC18RD / DC18RE / DC18SD / DC18SE / DC18SF	

- Tiettyjä yläpuolella kuvattuja akkuja ja latureita ei ehkä ole saatavana asuinalueestasi johtuen.

**VAROITUS:** Käytä vain edellä eriteltyjä akkupaketteja ja latureita. Muiden akkupakettien ja laturien käyttäminen voi aiheuttaa loukkaantumisen ja/tai tulipalon.

#### Käyttötarkoitus

Työkalu on tarkoitettu puun pitkittäis-, poikkittais- ja jiiri-sahaukseen siten, että saha on koko ajan välittömässä kosketuksessa työkappaleeseen.

#### Melutaso

Tyypillinen A-painotettu melutaso määräytyy EN62841-standardin mukaan:

##### Malli DSS500

Äänenpainetaso (L<sub>PA</sub>): 91 dB (A)

Äänitehotaso (L<sub>WA</sub>): 102 dB (A)

Virhemarginaali (K): 3 dB (A)

##### Malli DSS501

Äänenpainetaso (L<sub>PA</sub>): 92 dB (A)

Äänitehotaso (L<sub>WA</sub>): 103 dB (A)

Virhemarginaali (K): 3 dB (A)

#### Käytä kuulosuojaimia

#### Tärinä

Värähtelyn kokonaisarvo (kolmiakselivektorin summa) on määritelty EN62841 mukaan:

Työtila : puun sahaaminen

Tärinäpäästö (a<sub>n,w</sub>): 2,5 m/s<sup>2</sup> tai vähemmän

Virhemarginaali (K): 1,5 m/s<sup>2</sup>

**HUOMAA:** Ilmoitettu tärinäpäästöarvo on mitattu standarditestaustestimen mukaisesti, ja sen avulla voidaan vertailla työkaluja keskenään.

**HUOMAA:** Ilmoitettua tärinäpäästöarvoa voidaan käyttää myös altistumisen alustavaan arviointiin.

**VAROITUS:** Työkalun käytön aikana mitattu todellinen tärinäpäästöarvo voi poiketa ilmoitetusta tärinäpäästöarvosta työkalun käyttötavan mukaan.

**VAROITUS:** Selvitä käyttäjän suojaamiseksi tarvittavat varoitimet todellisissa käyttöolosuhteissa tapahtuvan arvioidun altistumisen mukaisesti (ottaen huomioon käyttöjako kokonaisuudessaan, myös jakso, joiden aikana työkalu on sammutettuna tai käy tyhjäkäynnillä).

### EY-vaatimustenmukaisuusvakuutus

#### Koskee vain Euroopan maita

EY-vaatimustenmukaisuusvakuutus on liitetty tähän käyttöoppaaseen.

### Sähkötyökalujen käyttöä koskevat yleiset varoitukset

**VAROITUS:** Tutustu kaikkiin tämän sähkötyökalun mukana toimitettuihin varoituksiin, ohjeisiin, kuviin ja teknisiin tietoihin. Seuraavassa lueteltujen ohjeiden noudattamatta jättäminen saattaa johtaa sähköiskuun, tulipaloon tai vakavaan vammautumiseen.

# Säilytä varoitukset ja ohjeet tulevaa käyttöä varten.

Varoituksissa käytettävällä termillä ”sähkötyökalu” tarkoitetaan joko verkkovirtaa käyttävää (johdollista) työkalua tai akkukäyttöistä (johdotonta) työkalua.

## Akkukäyttöisen pyörösahan turvallisuusohjeet

### Sahasohjeet

- VAARA:** Pidä kädet loitolla sahauslinjalta ja terästä. Pidä toista kättä apukahvalla tai moottorin kotelon päällä. Jos pidät kiinni sahasta molemmin käsin, terä ei voi vahingoittaa käsiä.
- Älä korota työkappaleen alapuolelle.** Suojus ei suojaa terältä työkappaleen alapuolella.
- Säädä leikkaussyvyys työkappaleen paksuuden mukaan.** Pienempi osa kuin terän täysi hammas tulee olla näkyvillä työkappaleen alapuolella.
- Älä koskaan pidä työkalua käsissäsi tai jalkojesi välissä leikkaamisen aikana. Kiinnitä työkalu tukevaan jalustaan.** On tärkeää, että työkalu tuetaan luotettavasti loukkaantumisen, terän juuttumisen ja laitteen hallinnan menettämisen välttämiseksi.

### ► Kuva1

- Pidä sähkötyökalusta kiinni sen eristetyistä tartuntapinnoista suoritettaessa toimintoja, missä terä voi osua piilossa oleviin johtoihin tai työkalun omaan virtajohtoon.** Jos sähkötyökalun metalliosa joutuu kosketukseen jännitteellisen virtajohtojen kanssa, työkalun sähköä johtavat metalliosat voivat aiheuttaa käyttäjälle sähköiskun.
- Käytä halkaisuun aina halkaisu- tai sivuohjainta.** Se parantaa sahaustarkkuutta ja vähentää terän juuttumista.
- Käytä aina oikeankokoisia ja -muotoisia teriä (timantti vs. pyöreä).** Terät, jotka eivät sovi työkalun kiinnityslaitteisiin, pyörivät epäkeskeisesti ja aiheuttavat sahan ohjauksen menetyksen.
- Älä koskaan käytä viallisia tai vääriä terän aluslevyjä tai pultteja.** Terän aluslaatat ja pultit on suunniteltu erityisesti tälle sahalle ja takaavat parhaan suorituskyvyn ja turvallisuuden.

### Takapotku ja siihen liittyvät varoitukset

- takapotku on äkillinen reaktio, jonka aiheuttaa kiinni juuttunut, vääntynyt tai väärien kohdistettu terä, joka saa sahan hypähtämään irti työkaluleesta käyttäjää kohti;
- jos terä juuttuu tai jumittuu tiukkaan sahausuraan, terä pysähtyy ja moottorin suojaus kääntää sen pyörimissuunnan nopeasti taaksepäin käyttäjää kohti;
- jos terä vääntyy tai sen kohdistus muuttuu sahausurassa, terän takaosan hampaat voivat pureutua puun pintakerrokseen, jolloin terä nousee ylös urasta ja saha ponnahtaa käyttäjään kohti.

Takapotku johtuu sahan virheellisestä käytöstä ja/tai vääristä käyttöolosuhteista. Takapotku voidaan välttää noudattamalla seuraavia varotoimia.

- Ota sahasta tukeva ote molemmin käsin ja pidä käsiä sellaisessa asennossa, että voit ottaa vastaan mahdollisen takapotkun aiheuttamat voimat. Sijoita vartalo jommallekummalle puolelle terää, mutta ei terän suuntaisesti.** Takapotku voi aiheuttaa sahan ponnahtamisen taaksepäin, mutta käyttäjä voi hallita sen voimat, jos takapotkuun varaudutaan asianmukaisin varotoimin.
- Jos terä jumittuu tai jos keskeytät leikkaamisen jostakin muusta syystä, vapauta liipaisinkytkin ja pidä saha paikoillaan työkalupaleessa, kunnes terä on täysin pysähtynyt. Älä koskaan yritä poistaa sahaa työkalupaleesta tai vetää sahaa taaksepäin, kun terä liikkuu tai seurauksena voi olla takapotku.** Tutki ja korjaa mahdolliset syyt, jotka aiheuttavat terän jumittumisen.
- Kun saha käynnistetään uudelleen työkalupaleessa, keskitä sahanterä sahausuraan ja tarkista, että sahan hampaat eivät ole kiinni materiaalissa.** Jos terä on jumissa, se saattaa hypähtää työkalupaleesta tai aiheuttaa takapotkun käynnistettäessä sahaa uudelleen.
- Tue suuria paneeleja, jotta minimoit terien jumittumisen ja takapotkujen riskin.** Suurilla paneeleilla on tapana taipua oman painonsa vaikutuksesta. Levy on tuettava molemmilta puolilta sahauslinjan vierestä ja reunoilta.

### ► Kuva2

### ► Kuva3

- Älä käytä tylsiä tai voittuneita teriä.** Tylsät tai vääriin asetetut terät tekevät kapean sahausuran, josta on seurauksena ylimääräistä kitkaa, terän taipuminen ja takapotku.
- Terän syyvyys ja viisteen säädön lukitusvivut on oltava tiukalla ennen leikkauksen suoritusta.** Jos terän asetus siirtyy leikkauksen aikana, seurauksena voi olla terän jumittuminen ja takapotku.
- Ole erityisen varovainen, kun sahautat umpinaisia seinäpintoja tai jos et muuten näe sahatavaa kohdetta.** Läpitukeutuva terä voi leikata kohteita, jotka saattavat aiheuttaa takapotkun.
- PIDÄ AINA KONEESTA TUKEVASTI MOLEMMIN KÄSIN. ÄLÄ KOSKAAN pidä kättä, jalkaa tai muuta ruumiinosaa työkalun pohjan alapuolelle tai sahan taakse, varsinkin katkaisussa.** Jos saha potkaisee taakse, se voi helposti ponnahtaa käsille ja aiheuttaa vakavia vammoja.

### ► Kuva4

- Älä koskaan sahaa väkisin. Työnnä sahaa eteenpäin sellaisella nopeudella, että terä leikkaa hidastumatta.** Sahan pakottaminen voi aiheuttaa epätasaista leikkauksjälkeä, tarkkuuden vähenemistä ja mahdollisesti takapotkun.

### Suojuksen toiminta

- Varmista alasuojuksen sulkeutuminen ennen jokaista käyttökertaa. Älä käytä sahaa, jos alasuojus ei liiku vapaasti ja sulkeudu heti. Älä koskaan sido alasuojusta auki-asentoon.** Jos saha putoaa vahingossa, alasuojus voi taittua. Nosta alasuojusta sisään vedettävästä kahvasta ja varmista, että suojus liikkuu vapaasti eikä kosketa terää tai muita osia missään leikkaukskulmassa tai -syvytydessä.

2. **Tarkista alasuojuksen jousen toiminta. Jos suojuus ja jousi eivät toimi oikein, ne tulee huoltaa ennen käyttöä.** Alasuojus saattaa toimia hitaasti johtuen voittuneista osista, tahmeasta karstasta tai jäännösten kasautumisesta.
3. **Alasuojus voidaan vetää taakse käsin vain silloin, kun sahataan umpinaisia pintoja.** Nosta alasuojus vedettävästä kahvasta ja heti, kun terä leikkaa materiaalin, alasuojus tulee vapauttaa. Kaikessa muussa sahauskassa alasuojuksen tulee antaa toimia automaattisesti.
4. **Huomioi aina, että alasuojus peittää terän ennen kuin asetat sahan penkille tai lattialle.** Suojaamaton ja vapaasti liukuva terä voi aiheuttaa sahan siirtymisen taaksepäin leikaten mitä sen eteen tulee. Ota huomioon se aika, jonka terän pysähtyminen sahan sammuttamisen jälkeen vaatii.
5. **Voit tarkistaa alasuojuksen avaamalla sen käsin ja sitten vapauttamalla seuraten samalla, miten se sulkeutuu.** Varmista myös, ettei sisään vedettävä kahva osu leikkurin koteloon. Terän jättäminen ilman suojusta on ERITTÄIN VAARALLISTA ja voi johtaa vakaviin vammoihin.

#### Turvallisuuksia koskevia lisävaroituksia

1. **Ole erityisen varovainen, jos sahaat kosteaa, painekyllästettyä tai oksaista puuta.** Vältä terän ylikuumenemista säätämällä terän nopeus sellaiseksi, että sahaus etenee sujuvasti terän nopeuden hidastumatta.
  2. **Älä yritä poistaa leikattua materiaalia, kun terä on vielä liikkeessä.** Odota, kunnes terä pysähtyy, ennen kuin tartut sahattuun kappaleeseen. Terä pyörii vielä jonkin aikaa sen jälkeen, kun saha on sammutettu.
  3. **Vältä naulojen sahaamista.** Tarkista puutavara ja poista kaikki naulat ennen sahausta.
  4. **Aseta sahan alustan leveämpi puoli työkalupaleen tuetun osan päälle, älä sahattaessa irtoavan osan päälle.** Jos työkalupale on lyhyt tai pieni, kiinnitä se ruuvipenkkiin. **ÄLÄ YRITÄ PITÄÄ LYHYTTÄ TYÖKAPPALETTA PAIKOILLAAN KÄSIN!**
- Kuva5
5. **Ennen sahan laskemista käsistäsi, varmista, että suojuus on sulkeutunut ja terä on täysin pysähtynyt.**
  6. **Älä koskaan yritä leikata sirkkellillä, joka on ylösalaisin viilapenkillä.** Tämä on erittäin vaarallista ja voi johtaa vakaviin vammoihin.
- Kuva6
7. **Jotkin materiaalit sisältävät kemikaaleja, jotka voivat olla myrkyllisiä.** Huolehdi siitä, että pölyn sisäänhengittäminen ja ihokosketus estetään. Noudata materiaalin toimittajan turvaohjeita.
  8. **Älä pysäytä teriä painamalla sivusta sahanterää.**
  9. **Älä käytä minkäänlaisia hiomalaikkoja.**
  10. **Käytä vain sahanterää, joiden halkaisija on sama kuin työkaluun merkitty tai ohjekirjassa mainittu.** Vääränkokoisien terän käyttäminen voi vaikuttaa terän suojuukseen tai itse terän toimivuuteen ja aiheuttaa vakavia vammoja.

11. **Pidä terät terävinä ja puhtaina.** Terään koveutunut pihka hidastaa sahaamista ja lisää takapotkun vaaraa. Pidä terä puhtaana irrottamalla se sahasa ja puhdistamalla pihkanpoistoaineella, kuumalla vedellä tai petrolilla. Älä käytä koskaan puhdistukseen bensiiniä.
12. **Käytä työkalua käyttäessäsi hengitys- ja kuulosuojaimia.**
13. **Käytä aina sahattavalle materiaalille tarkoitettua sahanterää.**
14. **Käytä vain sahanterää, joiden merkitty nopeus on vähintään yhtä suuri tai suurempi kuin työkaluun merkitty nopeus.**
15. **(Ainoastaan Euroopan valtiot)**  
Käytä aina sahanterää, jotka noudattavat standardin EN847-1 vaatimuksia.

## SÄILYTÄ NÄMÄ OHJEET.

**VAROITUS:** ÄLÄ anna työkalun helppokäyttöisyyden (toistuvan käytön aikaansaama) johtaa sinua väärään turvallisuuden tunteeseen niin, että laiminlyöt työkalun turvaohjeiden noudattamisen. **VÄÄRINKÄYTTÖ** tai tässä käyttöohjeessa ilmoitettujen turvamääräysten laiminlyönti voi aiheuttaa vakavia henkilövahinkoja.

## Akkupakettia koskevia tärkeitä turvaohjeita

1. **Ennen akun käyttöönottoa tutustu kaikkiin laturissa (1), akussa (2) ja akkukäyttöisessä tuotteessa (3) oleviin varoitusteksteihin.**
  2. **Älä pura akkua.**
  3. **Jos akun toiminta-aika lyhenee merkittävästi, lopeta akun käyttö.** Seurauksena voi olla ylikuumeneminen, palovammoja tai jopa räjähdys.
  4. **Jos akkunestettä pääsee silmiin, huuhtele puhtaalla vedellä ja hakeudu välittömästi lääkärin hoitoon.** Akkuneste voi aiheuttaa näön menetyksen.
  5. **Älä oikosulje akkua.**
    - (1) **Älä koske akun napoihin millään sähköä johtavalla materiaallilla.**
    - (2) **Vältä akun oikosulkemista äläkä säilytä akkua yhdessä muiden metalliesineiden, kuten naulojen, kolikoiden ja niin edelleen kanssa.**
    - (3) **Älä aseta akkua alttiiksi vedelle tai sateelle.**
- Oikosulku voi aiheuttaa virtapiikin, ylikuumenemista, palovammoja tai laitteen rikkoontumisen.
6. **Älä säilytä työkalua ja akkua paikassa, jossa lämpötila voi nousta 50 °C:een tai sitäkin korkeammaksi.**
  7. **Älä hävitä akkua polttamalla, vaikka se olisi pahoin vaurioitunut tai täysin loppuun kulunut.** Avotuli voi aiheuttaa akun räjähtämisen.
  8. **Varo kolhimasta tai pudottamasta akkua.**
  9. **Älä käytä viallista akkua.**

10. **Sisältyviä litium-ioni-akkuja koskevat vaarallisten aineiden lainsäädännön vaatimukset.** Esimerkiksi kolmansien osapuolten huolintaliikkeiden tulee kaupallisissa kuljetuksissa noudattaa pakkaamista ja merkintöjä koskevia erityisvaatimuksia. Lähetettävän tuotteen valmistelu edellyttää vaarallisten aineiden asiantuntijan neuvontaa. Huomioi myös mahdollisesti yksityiskohtaisemmat kansalliset määräykset. Akun avoimet liittimet tulee suojata teipillä tai suojuksella ja pakkaaminen tulee tehdä niin, ettei akku voi liikkua pakkauksessa.
11. **Hävitä akku paikallisten määräysten mukaisesti.**
12. **Käytä akkuja vain Makitan ilmoittamien tuotteiden kanssa.** Akkujen asentaminen yhteensopimattomiin tuotteisiin voi aiheuttaa tulipalon, liiallisen ylikuumentumisen, räjähdyksen tai akkunestevuotoja.

## SÄILYTÄ NÄMÄ OHJEET.

**⚠HUOMIO:** Käytä vain alkuperäisiä Makita-akkuja. Muiden kuin aitojen Makita-akkujen, tai mahdollisesti muutettujen akkujen käyttö voi johtaa akun murtumiseen ja aiheuttaa tulipaloja, henkilö- ja omaisuusvahinkoja. Se mitätöi myös Makita-työkalun ja -laturin Makita-takuun.

## Vihjeitä akun käyttöiän pidentämiseksi

1. **Lataa akku ennen kuin se purkautuu täysin. Lopeta aina työkalun käyttö ja lataa akku, jos huomaat työkalun tehon vähenevän.**
2. **Älä koskaan lataa uudestaan täysin ladattua akkua. Ylilataaminen lyhentää akun käyttöikää.**
3. **Lataa akku huoneen lämpötilassa välillä 10 °C - 40 °C. Anna kuumen akun jäähtyä ennen lataamista.**
4. **Lataa akkupaketti, jos et käytä sitä pitkään aikaan (yli kuusi kuukautta).**

## TOIMINTOJEN KUVAUS

### ⚠HUOMIO:

- Varmista aina ennen säätöjä ja tarkastuksia, että työkalu on sammutettu ja akku irrotettu.

## Akun asentaminen tai irrottaminen

- **Kuva7:** 1. Punainen ilmaisin 2. Painike 3. Akku

### ⚠HUOMIO:

- Sammuta työkalu aina ennen akun kiinnittämistä tai irrottamista.
- **Pidä työkalusta ja akusta tiukasti kiinni, kun irrotat tai kiinnität akkua.** Jos akku tai työkalu putoaa, ne voivat vaurioitua tai aiheuttaa loukkaantumisen.

Irrota akku painamalla akun etupuolella olevaa painiketta ja vetämällä akku ulos työkalusta. Kiinnitä akku sovitamalla akku kieleke rungon uraan ja työntämällä akku sitten paikoilleen. Työnnä akku pohjaan asti niin, että kuulet sen napsahavan paikoilleen. Jos painikkeen yläpuolella näkyy punainen ilmaisin, akku ei ole lukkiutunut täysin paikoilleen.

### ⚠HUOMIO:

- Työnnä akku aina pohjaan asti, niin että punainen ilmaisin ei enää näy. Jos akku ei ole kunnolla paikallaan, se voi pudota työkalusta ja aiheuttaa vammoja joko käyttäjälle tai sivullisille.
- Älä käytä voimaa akun asennuksessa. Jos akku ei mene paikalleen helposti, se on väärässä asennossa.

## Akun suojausjärjestelmä (tähtimerkinnällä merkitty litiumioniakku)

- **Kuva8:** 1. Tähtimerkintä

Tähtimerkinnällä merkityssä litiumioniakussa on suojausjärjestelmä. Tämä järjestelmä pidentää akun käyttöikää katkaisemalla automaattisesti virran työkaluun. Työkalu voi pysähtyä automaattisesti kesken käytön, jos työkalussa tai akussa ilmenee jokin seuraavista tilanteista:

- Ylikuormitus:  
Työkalua käytetään tavalla, joka saa sen kuluttamaan epätavallisen paljon virtaa. Vapauta silloin työkalun liipaisinkytkin ja lopeta ylikuormitustilan aiheuttanut käyttö. Käynnistä sen jälkeen työkalu uudelleen painamalla liipaisinkytkintä. Jos työkalu ei käynnisty, akku on ylikuumentunut. Anna silloin akun jäähtyä, ennen kuin painat liipaisinkytkintä uudelleen.
- Alhainen akun jännite:  
Akun varaus ei riitä työkalun käyttämiseen. Irrota silloin akku ja lataa se.

## Akun jäljellä olevan varaustason ilmaisin

Vain akkupaketeille ilmaisimella

► **Kuva9:** 1. Merkkivalot 2. Tarkistuspainike

Painamalla tarkistuspainiketta saat näkyviin akun jäljellä olevan varauksen. Merkkivalot palavat muutaman sekunnin ajan.

Merkkivalot			Akussa jäljellä olevan varaus
Palaa	Pois päältä	Viikkuu	
■	□	▤	75% - 100%
■ ■ ■ ■			50% - 75%
■ ■ □ □			25% - 50%
■ □ □ □			0% - 25%
▤ □ □ □			Lataa akku.
■ ■ □ □	↑ ↓	□ □ ■ ■	Akussa on saattanut olla toimintahäiriö.

**HUOMAA:** Ilmoitettu varaustaso voi erota hieman todellisesta varaustasosta sen mukaan, millaisissa oloissa ja missä lämpötilassa laitetta käytetään.

## Leikkaussyvyyden säätäminen

► **Kuva10:** 1. Vipu

### ▲HUOMIO:

- Kiristä vipua lujasti aina leikkaussyvyyden säätämisen jälkeen.

Löysää takakahvan sivussa olevaa vipua ja siirrä pohjaa ylös- tai alaspäin. Kun olet säätänyt leikkaussyvyyden sopivaksi, lukitse pohja kiristämällä vipu.

Aseta syvyys niin, että vain yksi terän hammas ulottuu työkalupaleen alapinnan ulkopuolelle, jolloin leikkauksesta tulee siisti ja itse leikkaus on turvallisempaa. Oikea leikkauussyvyys vähentää vammautumisen riskin aiheuttavan TAKAPOTKUN vaaraa.

## Viisteitysleikkaus

► **Kuva11:** 1. Vipu

Löysää etupohjan asteikkolevyllä oleva vipu. Aseta haluamasi kulma (0° - 50°) kallistamalla ja kiristä vipu sen jälkeen kiinni.

## Tähtäys

► **Kuva12:** 1. Pohja 2. Sahauslinja

Kun haluat leikata suoraan, kohdista pohjan etuosan piste A leikkauslinjaan. Kun haluat tehdä 45° viisteitysleikkauksia, kohdista piste B leikkauslinjaan.

## Kytkimen käyttäminen

► **Kuva13:** 1. Lukituksen vapautusvipu  
2. Liipaisinkytkin

### ▲HUOMIO:

- Tarkista aina ennen akun kiinnittämistä työkaluun, että liipaisinkytkin kytketty oikein ja palaa OFF-asentoon, kun se vapautetaan.
- Älä vedä liipaisinkytkimestä voimakkaasti, ellei samalla paina lukituksen vapautusvivusta. Kytkin voi rikkoutua.

Laitteessa on lukitusvipu, joka estää liipaisinkytkimen painamisen vahingossa. Käynnistä työkalu painamalla lukitusvipua ja vetämällä liipaisinkytkimestä. Laitte pysäytetään vapauttamalla liipaisinkytkin.

### ▲VAROITUS:

- Käyttäjän turvallisuuden vuoksi työkalussa on lukitusvipu, joka estää sen käynnistämisen vahingossa. ÄLÄ koskaan käytä työkalua, jos se käynnistyy pelkästään liipaisinkytkintä painamalla ilman, että lukituksen vapautusnappia painetaan alas. Toimita työkalu MAKITA-huoltoon korjattavaksi ENNEN käytön jatkamista.
- ÄLÄ koskaan teippaa tai ohita lukitusvipua.

## Lampun sytyttäminen

### ▲HUOMIO:

- Älä katso suoraan lampuun tai valonlähteeseen.

Paina liipaisinkytkintä ilman, että painat lukitusvipua, vain silloin, kun haluat sytyttää lampun. Lamppu sytytetään ja leikkuri käynnistetään painamalla lukitusvipua ja liipaisinkytkintä samaan aikaan.

### HUOMAA:

- Pyyhi lika pois linssistä pumpulitikulla. Älä naarmuta linssiä, ettei valoteho laske.
- Älä käytä bensiiniä, tinneriä tai vastaavaa lampun puhdistukseen. Nämä aineet voivat vahingoittaa linssiä.

## KOKOONPANO

### ▲HUOMIO:

- Varmista aina ennen mitään työkalulle tehtäviä toimenpiteitä, että se on sammutettu ja akku irrotettu.

## Terän irrotus ja kiinnitys

- **Kuva14:** 1. Karalukitus
- **Kuva15:** 1. Kuusioavain

### ⚠HUOMIO:

- Varmista, että terä on asennettu siten, että hampaat sahan etuosassa osoittavat ylöspäin.
- Käytän terän irrottamiseen ja kiinnittämiseen vain Makitan kiintoavainta.

Terä irrotetaan painamalla karalukitusta niin, että terä ei pääse pyörimään ja löysäämällä sitten kuusiopulttia kiertämällä kiintoavaimella vastapäivään. Irrota sitten kuusiopultti, ulkolaippa ja terä.

Terä kiinnitetään päinvastaisessa järjestyksessä. MUISTA KIRISTÄÄ KUUSIOPULTTIA TIUKASTI VASTAPÄIVÄÄN.

- **Kuva16:** 1. Kuusiopultti 2. Ulkolaippa 3. Sahanterä 4. Sisälaippa

Teränvaihdon yhteydessä muista puhdistaa ylä- ja alasuojus niihin kertyneestä lastuista ja siruista. Näistä toimenpiteistä huolimatta tarkista aina alasuojuksen toiminta ennen jokaista käyttökertaa.

## Kuusioavaimen varastointi

- **Kuva17:** 1. Kuusioavain

Säilytä kuusioavainta kuvan osoittamassa paikassa, ettei se pääse katoamaan.

## Pölynimurin kytkeminen

### Lisävaruste

- **Kuva18:** 1. Pölysuutin 2. Ruuvi
- **Kuva19:** 1. Pölysuutin 2. Letku 3. Pölynimuri

Jos haluat tehdä sahaustyön siististi, kytkte sahaan Makita-pölynimuri. Kiinnitä pölysuutin työkaluun ruuvilla. Kytkte sitten pölynimurin letku pölysuutimeen kuvan osoittamalla tavalla.

## TYÖSKENTELY

### ⚠HUOMIO:

- Työnnä akku pohjaan asti, niin että se nap-sahtaa paikoilleen. Jos painikkeen yläpuolella näkyy yhtään punaista, akku ei ole lukkiutunut täysin paikoilleen. Työnnä se pohjaan asti, niin että punaista ei enää näy. Jos akku ei ole kaunnolla paikallaan, se voi pudota työkalusta ja aiheuttaa vammoja joko sinulle tai sivullisille.
- Työnnä sahaa kevyesti suoraan eteenpäin. Sahan pakottaminen tai vääntäminen johtaa moottorin ylikuumentumiseen ja voi aiheuttaa vaarallisen takapotkun ja vakavia vammoja.
- Jos työkalua käytetään jatkuvasti niin pitkään, että akku tyhjenee, anna työkalun seistä 15 minuuttia ennen kuin jatkat työskentelyä uudella akulla.

- **Kuva20**

Ota koneesta luja ote. Laitteessa on sekä etu- että takakahva. Tartu työkaluun molemmista. Jos pidät työkalusta molemmin käsin, et voi loukata käsiä terään. Aseta sahan pohja sahattavan työkappaleen päälle ilman, että terä ottaa työkappaleeseen. Käynnistä sitten työkalu ja odota, kunnes terä pyörii täydellä nopeudella. Siirrä nyt yksinkertaisesti työkalua eteenpäin työkappaleen pinnalle, pitäen sitä alennettuna ja edeten tasaisesti, kunnes leikkaus on valmis. Siistien leikkausten saavuttamiseksi, pidä sahauslinja suorana ja etenemisnopeutesi tasaisena. Jos sahaus menee vinoon, älä yritä vääntää tai pakottaa sahaa oikeaan linjaan. Terä voi vääntyä ja aiheuttaa vaarallisen takapotkun ja mahdollisesti vammoja. Vapauta liipaisinkytkin, odota, kunnes terä pysähtyy ja nosta sen jälkeen saha urasta. Suuntaa saha uuteen sahauslinjaan ja aloita leikkaus uudestaan. Yritä asettaa sellaiseen kohtaan, jossa et joudu allttiiksi sahasta lentävälle purulle ja lastuille. Käytä vammojen välttämiseksi suojalaseja.

## Repeämöohjain (ohjaustulkki) (Lisävaruste)

- **Kuva21**

Kätevän repeämöohjaimen (ohjaustulkin) avulla voit sahata erityisen suoraan. Siirrä repeämöohjain tiukasti kiinni työkappaleen reunaan ja kiristä se paikoilleen pohjan etuosassa olevalla ruuvilla. Näin voit myös sahata useita saman levyisiä kappaleita.

## KUNNOSSAPITO

### ⚠HUOMIO:

- Varmista aina ennen tarkastusta tai huoltoa, että työkalu on sammutettu ja akku irrotettu.
- Älä koskaan käytä bensiniä, ohentimia, alkoholia tai tms. aineita. Muutoin pinta voi halkeilla tai sen värit ja muoto voivat muuttua.

## Tarkkuussäätö 90° (suora leikkaus)

Tämä säätö on suoritettu tehtaalla. Jos se vaatii uudelleen säätämistä, kierrä säätöruuveja kuusiokoloavaimella, kunnes terä on 90° kulmassa pohjan suhteen. Käytä apuna kolmioviivainta, suorakulmaa, tms.

- **Kuva22:** 1. Säätöruuvi, 90°
- **Kuva23:** 1. Kolmikulma

## Hiiliharjojen vaihtaminen

- **Kuva24:** 1. Rajamerkki

Irrota ja tarkista hiiliharjat säännöllisesti. Vaihda uusiin, kun ne ovat kuluneet rajamerkkiin saakka. Pidä hiiliharjat puhtaina ja vapaina liukumaan pitimissään. Molemmat hiiliharjat on vaihdettava samalla kertaa. Käytä vain keskenään samanlaisia hiiliharjoja. Irrota hiiliharjat kannet ruuvitalalla. Poista kuluneet hiiliharjat, aseta uudet harjahiilet paikalleen ja kiinnitä hiiliharjojen kansi paikalleen.

- **Kuva25:** 1. Harjanpitimen kansi 2. Ruuvitalta



Koneen TURVALLISUUDEN ja LUOTETTAVUUDEN säilyttämiseksi korjaukset sekä muut huoltotoimet ja säädöt on jätettävä Makitan valtuuttaman huollon tehtäväksi käyttäen aina Makitan alkuperäisiä varaosia.

## LISÄVARUSTEET

### HUOMIO:

- Näitä lisävarusteita ja -laitteita suositellaan käytettäväksi tässä ohjekirjassa mainitun Makitan koneen kanssa. Minkä tahansa muun lisävarusteen tai -laitteen käyttäminen voi aiheuttaa loukkaantumisvaaran. Käytä lisävarusteita ja -laitteita vain niiden käyttötarkoituksen mukaisesti.

Jos tarvitset apua tai yksityiskohtaisempia tietoja seuraavista lisävarusteista, ota yhteys paikalliseen Makitan huoltoon.

- Sahanterät
- Repeämäohjain (ohjaustulkki)
- Kuusioavain 5
- Pölysuutin
- Aito Makitan akku ja laturi

### HUOMAA:

- Jotkin luettelossa mainitut varusteet voivat sisältyä työkalun toimitukseen vakiovarusteina. Ne voivat vaihdella maittain.

## SPECIFIKĀCIJAS

Modelis	DSS500		DSS501	
Asmens diametrs	136 mm			
Maks. frēzēšanas dziļums	90° leņķī	51 mm		
	45° leņķī	35 mm		
Tukšgaitas ātrums (min <sup>-1</sup> )	3 600			
Kopējais garums	359 mm		364 mm	
Neto svars	2,3 - 2,6 kg		2,4 - 2,7 kg	
Nominālais spriegums	Līdzstrāva 14,4 V		Līdzstrāva 18 V	

- Nepārtrauktās izpētes un izstrādes programmas dēļ šeit uzrādītās specifikācijas var tikt mainītas bez brīdinājuma.
- Atkarībā no valsts specifikācijas var atšķirties.
- Svārs var būt atšķirīgs atkarībā no papildierīces(-ēm), tostarp akumulatora kasetnes. Tabulā ir attēlota vieglākā un smagākā kombinācija atbilstoši EPTA procedūrai 01/2014.

## Piemērotā akumulatora kasetne un lādētājs

Akumulatora kasetne	14,4 V līdzstrāvas modelis	BL1415N / BL1430 / BL1430B / BL1440 / BL1450 / BL1460B
	18 V līdzstrāvas modelis	BL1815N / BL1820 / BL1820B / BL1830 / BL1830B / BL1840 / BL1840B / BL1850 / BL1850B / BL1860B
Lādētājs	DC18RC / DC18RD / DC18RE / DC18SD / DC18SE / DC18SF	

- Daži no iepriekš norādītajiem lādētājiem un akumulatora kasetnēm var nebūt pieejami atkarībā no jūsu mītnes reģiona.

**▲BRĪDINĀJUMS:** Izmantojiet vienīgi iepriekš norādītās akumulatora kasetnes un lādētājus. Cita tipa akumulatora kasetņu un lādētāju izmantošana var radīt traumu un/vai aizdegšanās risku.

### Paredzētā lietošana

Šis darbarīks ir paredzēts kokmateriālu taisnvirziena un leņķveida zāģēšanai gareniski un šķērseniski, cieši saskaroties ar apstrādājamo materiālu.

### Troksnis

Tipiskais A-svērtais trokšņa līmenis ir noteikts saskaņā ar EN62841:

#### Modelis DSS500

Skaņas spiediena līmenis (L<sub>PA</sub>): 91 dB (A)

Skaņas jaudas līmenis (L<sub>WA</sub>): 102 dB (A)

Neskaidrība (K): 3 dB (A)

#### Modelis DSS501

Skaņas spiediena līmenis (L<sub>PA</sub>): 92 dB (A)

Skaņas jaudas līmenis (L<sub>WA</sub>): 103 dB (A)

Neskaidrība (K): 3 dB (A)

**Lietojiet ausu aizsargus**

### Vibrācija

Vibrācijas kopējā vērtība (trīs asu vektora summa) noteikta saskaņā ar EN62841:

Darba režīms: koksnes zāģēšana

Vibrācijas emisija (a<sub>h,w</sub>): 2,5 m/s<sup>2</sup> vai mazāk

Neskaidrība (K): 1,5 m/s<sup>2</sup>

**PIEZĪME:** Paziņotā vibrācijas emisijas vērtība noteikta atbilstoši standarta pārbaudes metodei un to var izmantot, lai salīdzinātu vienu darbarīku ar citu.

**PIEZĪME:** Paziņoto vibrācijas emisijas vērtību arī var izmantot iedarbības sākotnējā novērtējumā.

**▲BRĪDINĀJUMS:** Reāli lietojot mehānizēto darbarīku, vibrācijas emisija var atšķirties no paziņotās emisijas vērtības atkarībā no darbarīka izmantošanas veida.

**▲BRĪDINĀJUMS:** Lai aizsargātu lietotāju, nosakiet drošības pasākumus, kas pamatoti ar iedarbību reālos darba apstākļos (ņemot vērā visus ekspluatācijas cikla posmus, piemēram, laiku, kamēr darbarīks ir izslēgts un kad darbojas tukšgaitā, kā arī palāides laiku).

## EK atbilstības deklarācija

### Tikai Eiropas valstīm

EK atbilstības deklarācija šajā lietošanas rokasgrāmatā ir iekļauta kā A pielikums.

## Vispārīgi elektrisko darbarīku drošības brīdinājumi

**▲BRĪDINĀJUMS:** Izlasiet visus drošības brīdinājumus, instrukcijas, apskatiet ilustrācijas un tehniskos datus, kas iekļauti mehānizētā darbarīka komplektācijā. Ja netiek ievēroti visi tālāk minētie noteikumi, var tikt izraisīta elektrotrauma, notikt aizdegšanās un/vai rasties smagas traumas.

# Glabājiet visus brīdinājumus un norādījumus, lai varētu tajos ieskatīties turpmāk.

Termins „elektrisks darbarīks” brīdinājumus attiecas uz tādu elektrisko darbarīku, ko darbina ar elektrību (ar vadu), vai tādu, ko darbina ar akumulatoru (bez vada).

## Drošības brīdinājumi par bezvadu rīpžāga lietošanu

### Zāģēšanas procedūras

1. **⚠BĪSTAMI:** Netuviniet rokas griešanas zonai un asmenim. Otru roku turiet uz palīgrokura vai motora korpusa. Ja turat zāģi ar abām rokām, asmens tās nevar sagriezt.
2. Nesniedzieties zem apstrādājamā materiāla. Aizsargs neaizsargā no asmens zem apstrādājamā materiāla.
3. Noregulējiet griešanas dziļumu atbilstoši apstrādājamā materiāla biezumam. Zem apstrādājamā materiāla jābūt redzamam nedaudz mazāk nekā veselam zāģa zobam.
4. Griežot apstrādājamo materiālu, nekad neturiet to rokās vai pār kāju. Apstrādājamo materiālu nostipriniet uz stabilas platformas. Materiālu ir svarīgi pareizi nostiprināt, lai mazinātu apdraudējumu ķermenim, novērstu asmens iekļīšanās vai kontroles zuduma risku.

### ► Att.1

5. Veicot darbību, kuras laikā griešanas instruments var pieskarties slēptam vadam vai savam vadam, mehanizēto darbarīku turiet aiz izolētām virsmām. Saskare ar vadu zem sprieguma var nodot spriegumu mehanizētā darbarīka metāla daļām, un operators var saņemt elektriskās strāvas triecienu.
6. Zāģējot gareniski, vienmēr izmantojiet garenzāģēšanas ierobežotāju vai aizsargu ar taisnān malām. Tas uzlabo zāģēšanas precizitāti un mazina asmens iekļīšanās iespēju.
7. Vienmēr izmantojiet asmeņus ar pareizā izmēra un formas (dimanta vai apaļas) pievienošanas atverēm. Asmeņi, kas neatbilst zāģa uzstādīšanas sastāvdaļām, darbosies nepareizi, izraisot kontroles zudumu.
8. Nekādā gadījumā nelietojiet bojātas vai neatbilstošas asmens starplikas vai skrūvi. Asmens paplašnes un skrūves ir speciāli paredzētas konkrētajam zāģim, lai sniegtu optimālu darba izpildi un drošību.

### Atsitienu iemesli un ar to saistīti brīdinājumi

- atsitiens ir pēkšņa kustība pēc zāģa asmens iesprūšanas, iekļīšanās vai nepareizas novietošanās, liekot zāģim nekontrolēti pacelties un izvirzīties no apstrādājamā materiāla operatora virzienā;
- kad asmens cieši iesprūst vai iekļījas starp sakļaujamo iezāģējumu, asmens apstājas, un dzinēja kustība liek ierīcei strauji virzīties atpakaļ operatora virzienā;
- ja asmeni iezāģējumā saspiež vai nepareizi novieto, zobi asmens aizmugurējā malā var ieurbties koka virsmā, liekot asmenim izvirzīties no iezāģējuma un atlēkt atpakaļ operatora virzienā.

Atsitiens rodas zāģa nepareizas lietošanas un/vai nepareizas darbības vai apstākļu rezultātā, un no tā var izvairīties, veicot piemērotus drošības pasākumus, kā tālāk norādīts.

1. Ar abām rokām spēcīgi turiet zāģi, rokas novietojot tā, lai spētu pretoties atsitienu spēkam. Turiet asmeni vienā ķermeņa pusē, bet neturiet vienā līnijā ar ķermeņa vidusdaļu. Atsitiens var likt zāģim atlēkt atpakaļ, taču atsitienu spēku operators var kontrolēt, ja veic piemērotus drošības pasākumus.
2. Ja asmens iekļījas vai kāda iemesla dēļ neļauj pabeigt zāģēšanu, atļaidiet mēlīti un nekustinot turiet zāģi materiālā, kamēr asmens pilnībā apstājas. Nekad neņemiet zāģi ārā no materiāla un nevirziet to atpakaļ, ja asmens kustas, jo tā var izraisīt atsitienu. Pārbaudiet un koriģējiet, lai novērstu asmens iekļīšanās cēloņus.
3. Atsākot zāģa darbību apstrādājamajā materiālā, novietojiet zāģa asmeni iezāģējuma centrā tā, lai zāģa zobi nesaskaras ar materiālu. Ja zāģa asmens ir iekļījies, tas var palēkties vai atsisties no apstrādājamā materiāla, kad zāģa darbība tiek atsākta.
4. Atbalstiet lielus gabalus, lai samazinātu asmens iesprūšanu vai atsitienu. Lielī gabali bieži vien zem sava svara ieliecas. Atbalsti jānovieto abās pusēs zem gabala, blakus griezuma līnijai un blakus gabala malai.

### ► Att.2

### ► Att.3

5. Neizmantojiet neasus vai bojātus asmeņus. Neuzasināts vai nepareizi uzstādīts asmens veido šauru iezāģējumu, kas rada pārmērīgu berzi, asmens iekļīšanās vai atsitienu.
6. Pirms sākt zāģēt pārliecinieties, vai asmens dziļuma un slīpuma regulēšanas sviras ir ciešās un nostiprinātas. Ja noregulētais asmens griešanas laikā pārvietojas, tas var iekļīties un izraisīt atsitienu.
7. Īpaši uzmanieties, zāģējot jau esošās sienās vai citās aizsegtās vietās. Caurejošais asmens var ietriekties priekšmetos, kas var izraisīt atsitienu.
8. VIENMĒR stingri turiet darbarīku ar abām rokām. NEKAD nenovietojiet savu galvu, kāju vai jebkuru savu ķermeņa daļu zem darbarīka pamatnes vai aiz zāģa, īpaši, kad zāģējat šķēršām. Ja ir atsitiens, zāģis var atlēkt atpakaļ vīrs jūsu rokas, radot smagu traumu.

### ► Att.4

9. Nekad nespiediet zāģi. Virziet zāģi uz priekšu tādā ātrumā, lai asmens zāģētu bez palānināšanās. Ja spēcīgi spiedīsiet zāģi, zāģējumi būs nevienmērīgi, neprecīzi un radīsies atsitienu risks.

### Aizsarga funkcionēšana

1. Pirms katras lietošanas reizes pārbaudiet, vai apakšējais aizsargs aizveras pareizi. Nelietojiet zāģi, ja apakšējais aizsargs nevirzās brīvi un nekavējoties neaizveras. Nekad nepiestipriniet un nepiesieniet apakšējo aizsargu atvērtā stāvoklī. Ja zāģis nejauši nokrīt, apakšējais aizsargs var salocīties. Paceliet apakšējo aizsargu ar ievilkšanas rokturi un pārliecinieties, ka tas virzās brīvi un nepieskaras asmenim vai citai daļai visos griezuma leņķos un dziļumos.

2. **Pārbaudiet apakšējā aizsarga atsperes darbību.** Ja aizsargs un atspere nedarbojas pareizi, tie pirms lietošanas jāsalabo. Apakšējais aizsargs var darboties lēni bojātu daļu, sveķu nosēdumu vai uzkrājušos gružu dēļ.
3. **Apakšējais aizsargs jāizvelk manuāli tikai īpašas zāģēšanas nolūkā, piemēram, „iezāģējumu” un un „kombinētu zāģējumu” gadījumā.** Paceliet apakšējo aizsargu ar ievilkšanas rokturi un, tiklīdz asmens nokļūst materiālā, atļaidiet apakšējo aizsargu. Visu citu zāģēšanas darbu gadījumā apakšējam aizsargam jādarbojas automātiski.
4. **Pirms novietot zāģi uz sola vai grīdas, vienmēr pārbaudiet, vai apakšējais aizsargs nosedz asmeni.** Neaizsargāts asmens, kas kustas pēc inerces, virzīs zāģi atpakaļ, sagriežot visu, kas ir tā ceļā. Atcerieties, ka pēc slēdža atlaišanas asmenim nepieciešams laiks, lai apstātos.
5. **Lai pārbaudītu apakšējo aizsargu, atveriet to ar roku, tad atļaidiet un novērojiet, kā tas aizveras.** Pārbaudiet arī, vai ievilkšanas rokturis nepieskaras darbarīka korpusam. Neaizsegts asmens ir ĻOTI BĪSTAMS un var radīt smagas traumas.
10. **Izmantojiet tikai tāda diametra zāģa asmeņus, kas ir norādīts uz darbarīka vai rokasgrāmatā.** Izmantojot nepareiza izmēra asmeni, var būt traucēta asmens pareiza palzielināšana vai aizsarga darbība, kas var izraisīt nopietnus ievainojumus.
11. **Uzturiet asmeni asu un tīru.** Ja asmeņiem pielīpuši sveķi un koka darva, zāģa darbība kļūst lēnāka un atsitiena risks palzielinās. Rūpējieties, lai asmens būtu tīrs, vispirms to noņemot nost no darbarīka, tad notīrot ar sveķu un darvas tīrītāju, karstu ūdeni vai petroleju. Nekad neizmantojiet benzīnu.
12. **Lietojot darbarīku, izmantojiet putekļu masku un ausu aizsargus.**
13. **Vienmēr izmantojiet zāģa asmeni, kas paredzēts materiālam, ko griezīsiet.**
14. **Izmantojiet tikai tādus zāģa asmeņus, kas ir marķēti ar ātrumu, kas ir tāds pats vai lielāks kā uz darbarīka norādītais ātrums.**
15. **(Tikai Eiropas valstīm)**  
Vienmēr izmantojiet asmeni, kas atbilst EN847-1 standartam.

## SAGLABĀJIET ŠOS NORĀDĪJUMUS.

### Papildu drošības brīdinājumi

1. **Ievērojiet sevišķu piesardzību, zāģējot mitru koksni, ar spiedienu apstrādātu zāģmateriālu vai zarus.** Noregulējiet zāģēšanas ātrumu tā, lai darbarīks vienmērīgi palielinātu ātrumu, nesamazinot asmens ātrumu un nepieļaujot asmens malu pārkaršanu.
2. **Neņemiet nost sagriezto materiālu, kamēr asmens griežas.** Pirms sazāģētā materiāla satveršanas nogaidiet, līdz asmens apstājas. Asmeņi pēc darbarīka izslēgšanās turpina kustēties pēc inerces.
3. **Negrieziet naglas.** Pirms zāģēšanas pārbaudiet, vai zāģmateriālā nav naglu, un tās izņemiet.
4. **Zāģa pamata platāko daļu novietojiet uz tās apstrādājamā materiāla daļas, kas ir cieši atbalstīta, nevis uz daļas, kas pēc nogriešanas nokrītīs.** Ja apstrādājama materiāls ir īss vai mazs, piestipriniet to. **NETURIET ĪSOS GABALUS ROKĀS!**

#### ► Att.5

5. **Pirms nolaist darbarīku, pabeidzot zāģēšanu, pārliecinieties, ka apakšējais aizsargs ir aizvēries un asmens ir pilnībā apstājies.**
6. **Nekad nezāģējiet, ja ripzāģis skrūvspilēs iestiprināts otrādi.** Tas ir ārkārtīgi bīstami un var izraisīt smagus negadījumus.

#### ► Att.6

7. **Daži materiāli satur ķīmiskas vielas, kas var būt toksiskas.** Izvairieties no putekļu ieelpošanas un to nokļūšanas uz ādas. Ievērojiet materiāla piegādātāja drošības datus.
8. **Nemēģiniet apstādināt asmeņus, no sāniem spiežot uz zāģa asmens.**
9. **Neizmantojiet abrazīvās ripas.**

**▲BRĪDINĀJUMS:** NEPIEĻAUJIET to, ka labu iemaņu vai izstrādājuma labas pārziņāšanas (darbarīku atkārtoti ekspluatējot) rezultātā vairs stingri neievērojat šī izstrādājuma drošības noteikumus. NEPAREIZI LIETOJOT darbarīku vai neievērojot šajā instrukciju rokasgrāmatā minētos drošības noteikumus, var tikt gūtas smagas traumas.

## Svarīgi drošības norādījumi par akumulatora kasetni

1. **Pirms akumulatora lietošanas izlasiet visus norādījumus un brīdinājumus, kuri attiecas uz (1) akumulatora lādētāju, (2) akumulatoru un (3) ierīci, kurā tiek izmantots akumulators.**
2. **Neizjauciet akumulatoru.**
3. **Ja akumulatora darbības laiks kļūva ievērojami īsāks, nekavējoties pārtrauciet to izmantot.** Citādi, tas var izraisīt pārkarsējumu, uzliesmojumu vai pat sprādzienu.
4. **Ja elektrolīts nonāk acīs, izskalojiet tās ar tīru ūdens un nekavējoties griezieties pie ārsta.** Tas var izraisīt redzes zaudēšanu.
5. **Neradiet īssavienojumu akumulatora kasetnē:**
  - (1) **Nepieskarieties spaiļēm ar elektrību vadošiem materiāliem.**
  - (2) **Neuzglabājiet akumulatoru kasetni kopā ar citiem metāla priekšmetiem, tādiem kā naglas, monētas u. c.**
  - (3) **Nepakļaujiet akumulatora kasetni ūdens vai lietus iedarbībai.****Akumulatora īssavienojums var radīt spēcīgu strāvas plūsmu, pārkaršanu, uzliesmojumu un pat sabojāt akumulatoru.**

6. Neglabājiet darbarīku un akumulatora kasetni vietās, kur temperatūra var sasniegt vai pārsniegt 50 °C (122 °F).
7. Nededziniet akumulatora kasetni, pat ja tā ir stipri bojāta vai pilnībā nolietota. Akumulatora kasetne ugunī var eksplodēt.
8. Uzmanieties, lai neļautu akumulatoram nokrist un nepakļautu to sītienam.
9. Neizmantojiet bojātu akumulatoru.
10. Uz izmantotajiem litija jonu akumulatoriem attiecas likumdošanas prasības par bīstamiem izstrādājumiem.

Komerציālā transportēšanā, ko veic, piemēram, trešās puses, transporta uzņēmumi, jāievēro uz iesaņņojuma un marķējuma norādītās īpašās prasības.

Lai izstrādājumu sagatavotu nosūtīšanai, jāsaziņņās ar bīstamo materiālu speciālistu. Ievērojiet arī citus attiecināmos valsts normatīvus.

Vaļņējus kontaktus nosedziet ar līmlenti vai citādi pārkļāļņiet, bet akumulatoru iesaņņojiet tā, lai saņņī tas nevarētu izkustēties.

11. Ievērojiet vietējos noteikumus par akumulatora likvidēšanu.
12. Izmantojiet šos akumulatorus tikai ar izstrādājumiem, kurus norādījis Makita. Ievietojot šos akumulatorus nesaderīgos izstrādājumos, var rasties ugunsgrēks, pārmērīgs karstums, tie var uzsprāgt vai no tiem var izteciēt elektrolīts.

## SAGLABĀJIET ŠOS NORĀDĪJUMUS.

**▲UZMANĪBU:** Lietojiet tikai oriģinālos Makita akumulatorus. Ja lietojat neoriģinālus Makita akumulatorus vai pārveidotus akumulatorus, tie var uzsprāgt un izraisīt aizdegšanos, traumas un materiālos zaudējumus. Tīks anulēta arī Makita darbarīka un lādētāja garantija.

## Ieteikumi akumulatora kalpošanas laika pagarināšanai

1. Uzlādējiet akumulatora kasetni, pirms tā ir pilnībā izlādējusies. Vienmēr, kad ievērojat, ka darbarīka darba jauda zudusi, apturiet darbarīku un uzlādējiet akumulatora kasetni.
2. Nekad neuzlādējiet pilnībā uzlādētu akumulatora kasetni. Pārmērīga uzlāde saīsina akumulatora kalpošanas laiku.
3. Uzlādējiet akumulatora kasetni istabas temperatūrā 10 °C - 40 °C. Karstai akumulatora kasetnei pirms uzlādes ļaujiet atdzist.
4. Uzlādējiet litija jonu akumulatora kasetni, ja to ilgstoši nelietosit (vairāk nekā sešus mēnešus).

## FUNKCIJU APRAKSTS

### ▲UZMANĪBU:

- Pirms darbarīka regulēšanas vai tā darbības pārbaudes vienmēr pārliecinieties, ka darbarīks ir izslēgts un akumulatora kasetne ir izņemta.

## Akumulatora kasetnes uzstādīšana un izņemšana

► **Att.7:** 1. Sarkans indikators 2. Poga 3. Akumulatora kasetne

### ▲UZMANĪBU:

- Vienmēr pirms akumulatora kasetnes uzstādīšanas vai noņemšanas izslēdziet darbarīku.
- **Uzstādot vai izņemot akumulatora kasetni, darbarīku un akumulatora kasetni turiet cieši.** Ja darbarīku un akumulatora kasetni netur cieši, tie var izkrist no rokām un radīt bojājumus darbarīkam un akumulatora kasetnei, kā arī izraisīt ievainojumus.

Lai izņemtu akumulatora kasetni, izvelciet to no darbarīka, pārbīdot kasetnes priekšpusē esošo pogu. Lai uzstādītu akumulatora kasetni, salāgojiet mēlīti uz akumulatora kasetnes ar rienu ietvarā un iebīdīet to vietā. Bīdīet to iekšā līdz klikšķim, kas nozīmē, ka tā ir pareizi uzstādīta. Ja pogas augšējā daļā ir redzams sarkans indikators, tas nozīmē, ka tā nav pilnīgi bloķēta.

### ▲UZMANĪBU:

- Vienmēr ievietojiet akumulatora kasetni tā, lai sarkanais indikators nebūtu redzams. Pretējā gadījumā tā var nejauši izkrist no darbarīka un radīt jums vai apkārtējiem ievainojumu.
- Neievietojiet akumulatora kasetni ar spēku. Ja kasetne neslīd ietvarā viegli, tā nav pareizi ielikta.

## Akumulatora aizsardzības sistēma (litija jonu akumulators ar zvaigznes emblēmu)

► **Att.8:** 1. Zvaigznes emblēma

Litija jonu akumulatori ar zvaigznes emblēmu ir aprīkoti ar aizsardzības sistēmu. Št sistēma automātiski izslēdz jaudas padēvi darbarīkam, lai pagarinātu akumulatora kalpošanas laiku. Darbarīks automātiski pārstās darboties ekspluatācijas laikā, ja darbarīku un/vai akumulatoru pakļaus kādam no šiem apstākļiem:













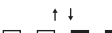


- Pārslodze:  
Darbarīku ekspluatācijas laikā lieto tādā veidā, ka tas saista pārmērīgu strāvu. Šādā gadījumā atlaiđiet darbarīka slēdža mēlīti un pārtrauciet darbību, kas izraisīja darbarīka pārslodzi. Pēc tam vēlreiz nospiediet slēdža mēlīti, lai atsāktu. Ja darbarīks nesāk darboties, akumulators ir pārkarsis. Šādā gadījumā ļaujiet akumulatoram atdzist, pirms vēlreiz nospiediet slēdža mēlīti.
- Zema akumulatora jauda:  
Akumulatora atlikusī jauda ir pārāk zema, un darbarīks nedarbosies. Šādā gadījumā akumulatoru noņemiet un veiciet tam uzlādi.

## Atlikušās akumulatora jaudas indikators

Tikai akumulatora kasetnēm ar indikatoru

► **Att.9:** 1. Indikatora lampas 2. Pārbaudes poga

Nospiediet akumulatora kasetnes pārbaudes pogu, lai pārbaudītu akumulatora atlikušo uzlādes līmeni. Indikatoru iedegsies uz dažām sekundēm.

Indikatora lampas			Atlikusī jauda
			
			No 75% līdz 100%
			No 50% līdz 75%
			No 25% līdz 50%
			No 0% līdz 25%
			Uzlādējiet akumulatoru.
 	 		Iespējama akumulatora kļūme.

**PIEZĪME:** Reālā jauda var nedaudz atšķirties no norādītās atkarībā no lietošanas apstākļiem un apkārtējās temperatūras.

## Ēvelēšanas dziļuma regulēšana

► **Att.10:** 1. Svira

### **UZMANĪBU:**

- Pēc frēzēšanas dziļuma noregulēšanas vienmēr cieši pievelciet sviru.

Aizmugures roktura pusē atļaidiet sviru un pamatni pārvietojiet uz augšu vai uz leju. Nostipriniet pamatni vēlamajā zāģēšanas dziļumā, pievelkot sviru. Lai zāģēšana būtu tīrāka un drošāka, uzstādiat zāģēšanas dziļumu tā, lai ne vairāk kā viens asmens zobs būtu redzams zem apstrādājamā materiāla. Izmantojot pareizu zāģēšanas dziļumu, iespējams samazināt bīstamus ATSI TIENUS, kas var izraisīt ievainojumus.

## Slīpā zāģēšana

► **Att.11:** 1. Svira

Atļaidiet sviru uz priekšējās pamatnes bebel skalas plāksnes. Iestatiet nepieciešamo leņķi (0° - 50°), attiecīgi sasverot, tad nostipriniet sviru.

## Nomērķēšana

► **Att.12:** 1. Pamatne 2. Zāģēšanas līnija

Lai zāģētu taisni, savietojiet A stāvokli uz pamatnes priekšējās daļas ar vajadzīgo zāģēšanas līniju. Lai zāģētu 45° slīpā leņķī, savietojiet ar to B stāvokli.

## Slēdža darbība

► **Att.13:** 1. Atbloķēšanas svira 2. Slēdža mēlīte

### **UZMANĪBU:**

- Pirms akumulatora kasetnes uzstādīšanas darbarīkā, vienmēr pārbaudiet, vai slēdža mēlīte darbojas pareizi un pēc atļaišanas atgriežas "OFF" (izslēgts) stāvoklī.
- Nevelciet slēdža mēlīti ar spēku, nospiežot atbloķēšanas sviru. Rezultātā varat sabojāt slēdzi.

Lai nepieļautu slēdža mēlītes nejaušu pavilkšanu, darbarīks ir aprīkots ar atbloķēšanas sviru. Lai darbarīku iedarbinātu, nospiediet atbloķēšanas sviru un pavelciet slēdža mēlīti. Lai apturētu darbarīku, atļaidiet slēdža mēlīti.

### **BRĪDINĀJUMS:**

- Jūsu drošības nolūkos šis darbarīks ir aprīkots ar atbloķēšanas sviru, kas nepieļauj darbarīka iedarbināšanu bez uzraudzības. NEKAD neekspluatējiet darbarīku, ja tas darbojas, kad vienkārši pavelciet slēdža mēlīti, nospiežot atbloķēšanas sviru. PIRMS turpmākas ekspluatācijas atgrieziet darbarīku MAKITA apkopes centrā, lai to atbilstoši salabotu.
- NEKAD nenovērtējiet par zemu vai neignorējiet atbloķēšanas sviras mērķli funkcijas.

## Lampas iedegšana

### **UZMANĪBU:**

- Neskatieties gaismā, neļaujiet tās avotam iespiēdēt acīs.

Lai tikai ieslēgtu gaismu, pavelciet slēdža mēlīti, nepiepiežot bloķēšanas sviru. Lai ieslēgtu gaismu un darbinātu darbarīku, nospiediet bloķēšanas sviru un pavelciet slēdža mēlīti, kamēr ir nospiesta bloķēšanas svira.

### **PIEZĪME:**

- Izmantojiet kokvilnas audumu, lai noslaučītu lampas lēcu. Uzmanieties nesaskrāpēt lampas lēcu, jo tas varētu pavājināt apgaismojumu.
- Lai notīrītu lampas lēcu, nelietojiet benzīnu, šķīdinātājus vai līdzīgas vielas. Izmantojot šādas vielas, sabojāsi lēcu.

## MONTĀŽA

### **UZMANĪBU:**

- Pirms darbarīka regulēšanas vai apkopes vienmēr pārliecinieties, ka darbarīks ir izslēgts un akumulatora kasetne ir izņemta.

## Asmens noņemšana vai uzstādīšana

► **Att.14:** 1. Vārpstas bloķētājs

► **Att.15:** 1. Sešstūra atslēga

### **UZMANĪBU:**

- Pārbaudiet, vai asmens ir uzstādīts tā, ka zāga zobi ir vērsti augšup pret darbarīka priekšpusi.
- Asmeni uzstādiat vai noņemiet tikai ar Makita uzgriežņu atslēgu.

Lai noņemtu asmeni, nospiediet roktura slēdzi, lai asmens nevarētu griezties, un izmantojiet uzgriežņu atslēgu, lai atskrūvētu sešstūra skrūvi pretējā pulksteņrādītāja virzienam. Tad noņemiet sešstūra skrūvi, ārējo atloku un asmeni. Lai uzstādītu asmeni, izpildiet noņemšanas procedūru apgrieztā secībā. **PĀRBAUDIET, VAI SEŠŠKAUTŅU SKRŪVE IR CIEŠI PIESKRŪVĒTA PULKSTEŅRĀDĪTĀJĀ VIRZIENĀ.**

► **Att.16:** 1. Seššķautņu bultskrūve 2. Ārējais atloks  
3. Zāga asmens 4. Iekšējais atloks

Mainot asmeni, neaizmirstiet arī iztīrīt augšējo un apakšējo asmens aizsargu no uzkrātajām skaidām un daļiņām. Tomēr, šādas darbības nelikvidē nepieciešamību pārbaudīt apakšējā aizsarga darbību pirms katras lietošanas.

## Sešstūra atslēgas uzglabāšana

► **Att.17:** 1. Sešstūra atslēga

Kad sešstūra atslēga netiek lietota, glabājiet to, kā parādīts zīmējumā, lai to nepazaudētu.

## Putekļsūcēja pievienošana

### *Papildu piederumi*

► **Att.18:** 1. Putekļsūcēja uzgalis 2. Skrūve

► **Att.19:** 1. Putekļsūcēja uzgalis 2. Šļūtene  
3. Putekļsūcējs

Ja zāgējot vēlaties saglabāt tīrību, darbarīkam pievienojiet Makita putekļu sūcēju. Ar skrūvēm pie darbarīka pieskrūvējiet putekļu sprauslu. Tad pie putekļu sprauslas pievienojiet putekļu sūcēja šļūteni, kā attēlots zīmējumā.

## EKSPLUATĀCIJA

### **UZMANĪBU:**

- Vienmēr bīdiat akumulatoru kasetni iekšā līdz tā nobloķējas savā vietā. Ja pogas augšējā daļā ir redzama sarkana daļa, tas nozīmē, ka tā nav pilnīgi bloķēta. Iebīdiat to tā, lai sarkana daļa nebūtu redzama. Pretējā gadījumā tā var nejauši izkrist no darbarīka un novest pie traumas gūšanas.
- Rūpējieties, lai darbarīks uzmanīgi virzītos uz priekšu. Ja darbarīku spēcīgi spiedīsiet vai grozīsiet, motors var pārkarst un iespējams radīt bīstamu atsitieni, kas var izraisīt nopietnus ievainojumus.
- Ja darbarīks tiek darbināts nepārtraukti, līdz akumulatora kasetne ir izlādējusies, pirms turpināt darbu ar jaunu akumulatoru, izslēdziet darbarīku uz 15 minūtēm.

► **Att.20**

Darbarīku turiet cieši. Darbarīks ir aprīkots gan ar priekšējo, gan aizmugurējo rokturi. Lai būtu vislabākais satvēriens, lietojiet abus. Ja ar abām rokām turat zāģi, tās nav iespējams savinot ar asmeni. Uzstādiat pamatni uz apstrādājamā materiāla, lai varētu zāģēt, asmenim nepieskaroties. Tad ieslēdziet darbarīku un nogaidiet, kamēr asmens darbojas ar pilnu jaudu. Tagad darbarīku vienkāšī virziet pāri apstrādājamā materiāla virsmai, turot to līdzēni un pārvietojot uz priekšu vienmērīgi, kamēr materiāls ir pārzāģēts.

Lai zāģējuma vieta būtu nevainojama, zāģējuma līniju saglabājiet taisnu un ātrumu - vienmērīgu. Ja zāģis nezāģē jūsu paredzētās līnijas vietā, nemēģiniet darbarīku pagriezt vai ar spēku atstūmt atpakaļ uz zāģēšanas līnijas. Šādi rīkojoties, asmens var iestrēgt, kā arī var rasties bīstams atsitēns un varat gūt nopietnus ievainojumus. Atlaiđiet slēdzi, nogaidiet, kamēr asmens pārstāj darboties, tad izņemiet darbarīku no zāģējuma. Uzstādiat to uz jaunas zāģējuma līnijas un sāciet zāģēt vēlreiz. Centieties izvairīties no tādas zāģa pozīcijas, kad no zāģa izmestās skaidas un putekļi ir vērsti pret operatoru. Lai izvairītos no savainojumiem, valkājiet acu aizsargu.

## Garenfrēzēšanas ierobežotājs (vadoties lineāls) (papildpiederums)

► **Att.21**

Parocīgais garenzāģēšanas ierobežotājs ļauj zāģēt ļoti precīzi. Vienkāšī pabīdiat garenzāģēšanas ierobežotāju cieši klāt apstrādājamā materiāla malai un nostipriniet to paredzētajā vietā ar pamatnes priekšējā daļā esošo skrūvi. Tas ļauj arī zāģēt atkārtoti vienādā platumā.

## APKOPE

### **UZMANĪBU:**

- Pirms darbarīka pārbaudes vai apkopes vienmēr pārliecinieties, ka darbarīks ir izslēgts un akumulatora kasetne ir izņemta.
- Nekad neizmantojiet gazoļnu, benzīnu, atšķaidītu, spirtu vai līdzīgus šķīdumus. Tas var radīt izbalēšanu, deformāciju vai plaisas.

## Regulēšana precīzai 90° frēzēšanai (vertikālā frēzēšana)

Šis iestatījums ir veikts rūpnīcā. Bet ja tas ir izslēgts, noregulējiet regulējošās skrūves ar sešstūra uzgriezni, kamēr pārbaudāt 90° asmeni ar pamatni, izmantojot trīsstūrveida lineālu vai četrstūra lineālu utt.

► **Att.22:** 1. Regulēšanas skrūve 90° leņķim

► **Att.23:** 1. Leņķmērs

## Ogles suku nomaiņa

### ► Att.24: 1. Robežas atzīme

Regulāri izņemiet un pārbaudiet ogles suku. Kad ogles suku ir nolietojušās līdz robežas atzīmei, nomainiet tās. Turiet ogles suku tīras un pārbaudiet, vai tās var brīvi ieiet turekļos. Abas ogles suku ir jānomaina vienlaikus. Izmantojiet tikai identiskas ogles suku.

Noņemiet suku turekļa vāciņus ar skrūvgrieža palīdzību. Izņemiet nolietojušās ogles suku, ievietojiet jaunas un nostipriniet suku turekļa vāciņus.

### ► Att.25: 1. Sukas turekļa vāks 2. Skrūvgriezis

Lai saglabātu produkta DROŠU un UZTICAMU darbību, remontdarbus, apkopi un regulēšanu uzticiet veikt tikai Makita pilnvarotam apkopes centram un vienmēr izmantojiet tikai Makita rezerves daļas.

## PAPILDU PIEDERUMI

### UZMANĪBU:

- Šādi piederumi un rīki tiek ieteikti lietošanai ar šajā pamācībā aprakstīto Makita instrumentu. Jebkādu citu piederumu un rīku izmantošana var radīt traumu briesmas. Piederumu vai rīku izmantojiet tikai tā paredzētajam mērķim.

Ja jums vajadzīga palīdzība vai precīzāka informācija par šiem piederumiem, vērsieties savā tuvākajā Makita apkopes centrā.

- Zāģa asmeņi
- Garenzāģēšanas ierobežotājs (vadotnes lineāls)
- Seššķautņu uzgriežņu atslēga 5
- Putekļsūcēja uzgalis
- Makita oriģinālais akumulators un lādētājs

### PIEZĪME:

- Daži sarakstā norādītie izstrādājumi var būt iekļauti instrumenta komplektācijā kā standarta piederumi. Tie dažādās valstīs var būt atšķirīgi.



## SPECIFIKACIJOS

Modelis	DSS500		DSS501	
Pjovimo disko skersmuo	136 mm			
Didž. pjovimo gylis	90° kampu	51 mm		
	45° kampu	35 mm		
Greitis be apkrovos (min <sup>-1</sup> )	3 600			
Bendras ilgis	359 mm		364 mm	
Neto svoris	2,3 - 2,6 kg		2,4 - 2,7 kg	
nominali įtampa	Nuol. sr. 14,4 V		Nuol. sr. 18 V	

- Atliekame tęstinius tyrimus ir nuolatos tobuliname savo gaminius, todėl čia pateikiamos specifikacijos gali būti keičiamos be įspėjimo.
- Skirtingose šalyse specifikacijos gali skirtis.
- Svoris gali priklausyti nuo priedo (-ų), įskaitant akumulatoriaus kasetę. Lengviausias ir sunkiausias deriniai pagal EPTA 2014 m. sausio mėn. procedūrą yra parodyti lentelėje.

## Tinkama akumulatoriaus kasetė ir (arba) įkroviklis

Akumulatoriaus kasetė	Nuol. sr. 14,4 V modelis	BL1415N / BL1430 / BL1430B / BL1440 / BL1450 / BL1460B
	Nuol. sr. 18 V modelis	BL1815N / BL1820 / BL1820B / BL1830 / BL1830B / BL1840 / BL1840B / BL1850 / BL1850B / BL1860B
Įkroviklis	DC18RC / DC18RD / DC18RE / DC18SD / DC18SE / DC18SF	

- Atsižvelgiant į gyvenamosios vietos regioną, kai kurios pirmiau nurodytos akumulatoriaus kasetės ir įkrovikliai gali būti neprieinami.

**⚠️ ĮSPĖJIMAS:** Naudokite tik akumulatoriaus kasetes ir įkroviklius, kurie nurodyti anksčiau. Naudojant bet kurias kitas akumulatoriaus kasetes ir įkroviklius, gali kilti sužeidimo ir gaisro pavojus.

## Paskirtis

Šis įrankis skirtas atlikti išilginiams ir skersiniams tiesiems pjūviams bei kūginiams pjūviams kampais medyje, esant tvirtam sąlyčiui su ruošiniu.

## Triukšmas

Tipiškas A svertinis triukšmo lygis nustatytas pagal EN62841:

**Modelis DSS500**

Garso slėgio lygis (L<sub>PA</sub>): 91 dB (A)  
Garso galios lygis (L<sub>WA</sub>): 102 dB (A)  
Paklaida (K): 3 dB (A)

**Modelis DSS501**

Garso slėgio lygis (L<sub>PA</sub>): 92 dB (A)  
Garso galios lygis (L<sub>WA</sub>): 103 dB (A)  
Paklaida (K): 3 dB (A)

**Dėvėkite ausų apsaugas**

## Vibracija

Vibracijos bendroji vertė (trijų ašių vektorinė suma) nustatyta pagal EN62841:

Darbo režimas: medžio pjovimas  
Vibracijos emisija (a<sub>h,W</sub>): 2,5 m/s<sup>2</sup> arba mažiau  
Paklaida (K): 1,5 m/s<sup>2</sup>

**PASTABA:** Paskelbtasis vibracijos emisijos dydis nustatytas pagal standartinį testavimo metodą ir jį galima naudoti vienam įrankiui palyginti su kitu.

**PASTABA:** Paskelbtasis vibracijos emisijos dydis taip pat gali būti naudojamas preliminariai įvertinti vibracijos poveikį.

**⚠️ ĮSPĖJIMAS:** Faktiškai naudojant elektrinį įrankį, keliamos vibracijos dydis gali skirtis nuo paskelbtojo dydžio, priklausomai nuo būdų, kuriais yra naudojamas šis įrankis.

**⚠️ ĮSPĖJIMAS:** Siekiant apsaugoti operatorių, būtinai įvertinkite saugos priemones, remdamiesi vibracijos poveikio įvertinimu esant faktinėms naudojimo sąlygoms (atsižvelgdami į visas darbo ciklo dalis, pavyzdžiui, ne tik kiek laiko įrankis veikia, bet ir kiek kartų jis yra išjungiamas bei kai jis veikia be apkrovų).

## EB atitikties deklaracija

## Tik Europos šalims

EB atitikties deklaracija yra pridedama kaip šio instrukcijų vadovo A priedas.

## Bendrieji įspėjimai dirbant elektriniais įrankiais

**⚠️ ĮSPĖJIMAS:** Perskaitykite visus saugos įspėjimus, instrukcijas, iliustracijas ir techninius duomenis, pateiktus kartu su šiuo elektriniu įrankiu. Nesilaikant visų toliau išvardytų instrukcijų galima patirti elektros smūgį, gali kilti gaisras ir (arba) galima sunkiai susižaloti.

## Išsaugokite visus įspėjimus ir instrukcijas, kad galėtumėte jas peržiūrėti ateityje.

Terminas „elektrinis įrankis“ pateiktuose įspėjimuose reiškia į maitinimo tinklą jungiamą (laidinį) elektrinį įrankį arba akumulatoriaus maitinamą (belaidį) elektrinį įrankį.

## Įspėjimai dėl akumulatorinio diskinio pjūklo saugos

### Pjovimo darbų tvarka

- 1. ⚠️ PAVOJUS:** rankas laikykite kuo toliau nuo pjovimo vietos ir geležtės. Kitą ranką laikykite ant pagalbinės rankenos arba variklio korpuso. Jei pjūklą laikysite abiem rankomis, geležtė negalės jų įpjauti.
  - 2. Nekiškite rankų po ruošiniu.** Po ruošiniu apsauginis įtaisas negali apsaugoti jūsų nuo geležtės.
  - 3. Pjovimo gylį sureguliuokite pagal ruošinio storį.** Po ruošiniu turi matytis mažiau nei vienas visas geležtės dantis.
  - 4. Pjaudami ruošinio jokiū būdu nelaikykite rankose ar tarp kojų.** Ruošinį pritvirtinkite prie stabiliaus darbastalio. Labai svarbu tinkamai paremti ruošinį, kad kiltų kuo mažiau pavojų kūnui, kad nelinktų diskas ir kad neparastumėte kontrolės.
- Pav.1
- 5. Atlikdami darbus, kurių metu tvirtinimo detalė gali paliesti paslėptus laidus, laikykite pjovimo įrankį tik už izoliuotų, laikyti skirtų paviršių.** Jei tvirtinimo detalės palies laidą su įtampa, elektrinio įrankio metalinėmis dalimis taip pat gali imti tekėti srovė, todėl operatorius gali patirti elektros šoką.
  - 6. Darydami prapjovimo darbus, visuomet naudokite prapjovos kreiptuvą arba tiesią krašto kreipiamąją.** Taip pjūvis bus tikslesnis ir sumažės tikimybė, kad geležtė užstrigs ruošinyje.
  - 7. Diskus naudokite tik su tinkamo dydžio ir formos (deimantinėmis ar apvaliomis) angomis.** Diskai, kurie netinka montavimo pjūkle įtaisams, slinks nuo centro į šalį, todėl nesuvaldysite įrankio.
  - 8. Niekada nenaudokite apgadintų arba netinkamų geležtės poveržlių arba varžto.** Geležtės poveržlės ir varžtai specialiai pagaminti šiam pjūklui, kad jis būtų optimaliai našus ir saugus.

### Atatranks priežastys ir su ja susiję įspėjimai

- atatranka yra staigi reakcija į pjūklo disko įstrigimą, sulinkimą ar išsiderinimą, dėl kurių nevaldomas pjūklas pakyla ir iššoka iš ruošinio operatoriaus link;
- jei diskas įstringa arba smarkiai sulinksta užsidarant įpjovai, diskas stringa, o variklio reakcija staigiai nukreipia įrankį operatoriaus link;
- Jei geležtė susisuka arba išsiderina įpjovoje, gali nęje geležtės briaunoje esantys dantukai gali įjsti į medienos paviršių ir todėl geležtė iššoks iš įpjovos operatoriaus link.

Atatranka yra piktnaudžiavimo pjūklui ir (arba) netinkamų darbo procedūrų ar sąlygų rezultatas, jos galima išvengti vadovaujantis toliau nurodytomis atsargumo priemonėmis.

- 1. Tvirtai laikykite pjūklą abiem rankomis, rankas laikykite taip, kad jos atlaikytų atatranks jėgą. Stovėkite bet kurioje geležtės pusėje, bet ne vienoje linijoje su ja.** Dėl atatranks pjūklas gali atšokti atgal, bet operatorius gali valdyti atatranks jėgą, jei imasi reikiamų atsargumo priemonių.
- 2. Jei geležtė sulinksta arba pjovimas pertraukiamas dėl kitos priežasties, atleiskite gaiduką ir nejudinkite pjūklo ruošinyje, kol geležtė visiškai nesustos. Jokiū būdu nemėginkite ištraukti pjūklo iš ruošinio arba traukti pjūklo atgal, kol geležtė juda, antraip įvyks atatranka.** Apžiūrėkite ir imkitės priemonių geležtės sulinkimo priežastčiai pašalinti.
- 3. Įstatydami pjūklą atgal į ruošinį, pjūklo diską įstatykite įpjovos centre taip, kad pjūklo dantukai nebūtų įstrigę ruošinyje.** Jei pjūklo diskas linksta, jis gali pakilti arba iššokti iš ruošinio vėl įjungus pjūklą.
- 4. Dideles plokštes paremkite ir taip sumažinkite pavojų, kad geležtė bus suspausta ir iššoks.** Didelės plokštės linksta dėl savo pačių svorio. Atramas reikia dėti po plokšte iš abiejų pusių, netoli pjovimo linijos ir greta plokštės briaunos.

### ► Pav.2

### ► Pav.3

- 5. Nenaudokite atšipusių ar sugadintų geležčių.** Naudojant nepagaląstas arba netinkamai nustatytas geležtes gaunama siaura įpjova, dėl to padidėja trintis, linksta geležtė ir kyla atatranka.
- 6. Prieš atliekant pjūvį, geležtės gylio ir nuožulnumo reguliavimo-fiksavimo svirtys turi būti gerai pritvirtintos ir priveržtos.** Jei geležtės reguliavimas pasikeis įjauant, geležtė gali sulinkti ar iššokti.
- 7. Būkite ypač atsargūs, kai darote pjūvius sienose arba kitose aklinese vietose.** Išsikišusi geležtė gali pataikyti į objektus ir nuo jų atšokti.
- 8. VISUOMET tvirtai laikykite įrankį abiem rankomis. NEDĖKITE rankų, kojų ar kitos kūno dalies po įrankio pagrindu ar už pjūklo, ypač darydami kryžinius pjūvius.** Įvykus atatrankai, pjūklas gali atšokti atgal per jūsų ranką ir sunkiai sužaloti.

### ► Pav.4

- 9. Nedirbkite pjūklui per jėgą. Stumkite pjūklą tokiu greičiu, kad geležtė įjautų nelėdėdama.** Spaudžiant pjūklą, galimi nelygūs pjūviai, tikslumo sumažėjimas ir atatranka.

## Apsauginio skydo veikimas

1. **Prieš kiekvieną naudojimą patikrinkite, ar apatinis apsauginis įtaisas tinkamai užsidaro. Nenaudokite pjūklo, jei apatinis apsauginis įtaisas nejuda laisvai ir neužsidaro iš karto. Jokių būdu neįtvirtinkite ir nepirikiškite apatinio apsauginio įtaiso atviroje padėtyje. Jei pjūklas netyčia išmetamas, apatinis apsauginis įtaisas gali sulinkti. Pakelkite apatinį apsauginį įtaisą atitraukiant rankena ir įsitikinkite, ar jis laisvai juda ir neličia geležtės ar kitos dalies, esant bet kokiam pjūvio kampui ir gyliui.**
2. **Patikrinkite apatinio apsauginio įtaiso spyruoklės veikimą. Jei apsauginis įtaisas ir spyruoklė neveikia tinkamai, prieš naudojimą juos reikia sutvarkyti. Apatinis apsauginis įtaisas gali veikti lėtai dėl pažeistų dalių, lipnių nuosėdų ar susikaupusių nešvarumų.**
3. **Apatinį apsauginį įtaisą galima įtraukti ranka, bet tik atliekant specialius pjovimo darbus, pvz., gilius pjūvius arba sudėtinus pjūvius. Nuleiskite apatinį apsauginį įtaisą įtraukimo rankena, o kai tik diskas įpjaua medžiagą, paleiskite apatinį apsauginį įtaisą. Darant kitus pjūvius, apatinė apsauga turi veikti automatiškai.**
4. **Prieš dėdami pjūklą ant suolo ar grindų, patikrinkite, ar apatinis apsaugos įtaisas uždengia geležtę. Neapsaugota iš inercijos judanti geležtė privers pjūklą važiuoti atgal, pjaunant viską savo kelyje. Atkreipkite dėmesį į laiką, kurio reikia, kad geležtė sustotų atleidus jungiklį.**
5. **Norėdami patikrinti apatinį apsaugos įtaisą, atidarykite apatinį apsaugos įtaisą ranka, tuomet atleiskite ir stebėkite, kaip jis užsidaro. Taip pat patikrinkite, ar atitraukimo rankenėlė neličia įrankio korpuso. Palikti diską atvirą LABAI PAVOJINGA, galima sunkiai susižaloti.**

## Papildomi įspėjimai dėl saugos

1. **Būkite ypač budrūs, kai pjaunate drėgną medieną, suslėgtus rąstus arba medį su šakomis. Vienodu greičiu stumkite įrankį pirmyn, nemažindami pjūklo greičio, kad neperkaistų pjūklo galiukai.**
2. **Nemėginkite nuimti atpjautos medžiagos geležtei judant. Prieš imdami nupjautą medžiagą, palaukite, kol geležtė sustos. Išjungus įrankį, geležtės dar sukasi iš inercijos.**
3. **Nepjaukite vinių. Prieš pjaudami apžiūrėkite medieną ir išimkite visas vinis.**
4. **Platesnę pjūklo pagrindo dalį dėkite ant tos ruošinio dalies, kuri gerai paremta, o ne ant tos, kuri nukris baigus pjauti. Jei ruošinys trumpas arba smulkus, suspauskite jį spaustuvais. NEMĖGINKITE LAIKYTI TRUMPO RUOŠINIO RANKA!**

### ► Pav.5

5. **Prieš pastatydami įrankį, kai baigėte pjauti, įsitikinkite, ar apatinis apsauginis įtaisas užsidarė, o geležtė visiškai sustojo.**
6. **Nemėginkite pjauti apskritu pjūklu apvertę jį spaustuvuose. Tai ypač pavojinga, todėl gali įvykti sunkus nelaimingas atsitikimas.**

### ► Pav.6

7. **Kai kuriose medžiagose esama cheminių medžiagų, kurios gali būti nuodingos. Saugokitės, kad neįkvėptumėte dulkių ir nesiliestumėte oda. Laikykitės medžiagų tiekėjo saugos duomenų.**
8. **Nestabdykite spausdami pjūklo geležtę iš šono.**
9. **Nenaudokite šlifuojamųjų diskų.**
10. **Naudokite tik tokio skersmens pjovimo diską, koks yra nurodytas ant įrankio arba naudojimo instrukcijoje. Naudojant netinkamo dydžio geležtę, ji gali būti netinkamai apsaugota arba netinkamai veikti apsauginis jos gaubtas, todėl galima sunkiai susižeisti.**
11. **Geležtė turi būti aštri ir švari. Ant geležtės esantys sukietėję sakai ar derva sulėtina pjovimą ir didina atatranksos pavojų. Valykite geležtę pirmiausiai išimdami ją iš įrankio, tada nuvalydami sakų ir dervos šalinimo priemone, karštu vandeniu ar žibalu. Nenaudokite benzino.**
12. **Naudodami įrankį, užsidėkite kaukę, saugančią nuo dulkių, ir klausos apsaugines priemones.**
13. **Visada naudokite pjaunamai medžiagai tinkamą pjūklo diską.**
14. **Naudokite tik tuos pjūklo diskus, ant kurių nurodytas sukimosi greitis prilygsta arba viršija ant įrankio nurodytą sukimosi greitį.**
15. **(Tik Europos šalims) Naudokite tik pjovimo diskus, kurie atitinka EN847-1.**

## SAUGOKITE ŠIAS INSTRUKCIJAS.

**⚠ ĮSPĖJIMAS: NELEISKITE, kad patogumas ir gaminio pažinimas (įgyjamas pakartotinai naudojant) susilpnėtų griežta saugos taisyklių, taisyntų šiam gaminiui, laikymasi. Dėl NETINKAMO NAUDOJIMO arba saugos taisyklių, kurios pateiktos šioje instrukcijoje, nesilaikymo galima rimtai susižeisti.**

## Svarbios saugos instrukcijos, taikomos akumulatoriaus kasetei

1. **Prieš naudodami akumulatoriaus kasetę, perskaitykite visas instrukcijas ir perspėjimus ant (1) akumulatorių įkroviklio, (2) akumulatorių ir (3) akumulatorių naudojančio gaminio.**
2. **Neardykite akumulatoriaus kasetės.**
3. **Jei įrankio darbo laikas žymiai sutrumpėjo, nedelsdami nutraukite darbą su įrankiu. Tai gali kelti perkaitimo, nudegimų ar net sprogdimo pavojų.**
4. **Jei elektrolitas pateko į akis, plaukite jas tyru vandeniu ir nedelsdami kreipkitės į gydytoją. Gali kilti regėjimo praradimo pavojus.**
5. **Neužtrumpinkite akumulatoriaus kasetės:**
  - (1) **Nelieskite kontaktų degiomis medžiagomis.**
  - (2) **Venkite laikyti akumulatoriaus kasetę kartu su kitais metaliniais daiktais, pavyzdžiui, vitimis, monetomis ir pan.**
  - (3) **Saugokite akumulatoriaus kasetę nuo vandens ir lietaus.**

Trumpasis jungimas akumuliatoriuje gali sukelti stiprią srovę, perkaitimą, galimus nudegimus ar net akumuliatoriaus gedimą.

6. Nelaikykite įrankio ir akumuliatoriaus kasėtės vietose, kur temperatūra gali pasiekti ar viršyti 50 °C.
7. Nedeginkite akumuliatoriaus kasėtės, net jei yra stipriai pažeista ar visiškai susidėvėjusi. Ugnyje akumuliatoriaus kasėtė gali sprogti.
8. Saugokite akumuliatorių nuo kritimo ir smūgių.
9. Nenaudokite pažeisto akumuliatoriaus.
10. Įdėtomis ličio jonų akumuliatoriams taikomi Pavojingų prekių teisės akto reikalavimai. Komeracinis transportas, pvz., trečiųjų šalių, prekių vežimo atstovų, turi laikytis specialaus reikalavimo ant pakuotės ir ženklavimo. Norėdami paruošti siųstiną prekę, pasitarkite su pavojingų medžiagų specialistu. Be to, laikykites galimai išsamesnių nacionalinių reglamentų. Užklijuokite juosta arba padenkite atvirus kontaktus ir supakuokite akumuliatorių taip, kad ji pakuotėje nejudėtų.
11. Vadovaukitės vietos įstatymais dėl akumuliatorių išmetimo.
12. Baterijas naudokite tik su „Makita“ nurodytais gaminiais. Baterijas įdėjus į netinkamus gaminius gali kilti gaisras, gaminys pernelyg kaisti, kilti sprogimas arba pratekėti elektrolitas.

## SAUGOKITE ŠIAS INSTRUKCIJAS.

**▲PERSPĖJIMAS:** Naudokite tik originalų „Makita“ akumuliatorių. Neoriginalaus „Makita“ arba pakeisto akumuliatoriaus naudojimas gali nulemti gaisrą, asmens sužalojimą ir pažeidimą. Tai taip pat panaikina „Makita“ suteikiamą „Makita“ įrankio ir įkroviklio garantiją.

## Patarimai, ką daryti, kad akumulatorius veiktų kuo ilgiau

1. Pakraukite akumuliatoriaus kasėtę prieš jai visiškai išsikraunant. Visuomet nustokite naudoti įrankį ir pakraukite akumuliatoriaus kasėtę, kai pastebite, kad įrankio galia sumažėjo.
2. Niekada nekraukite iki galo įkrautos akumuliatoriaus kasėtės. Perkraunant trumpėja akumuliatoriaus eksploatacijos laikas.
3. Akumuliatoriaus kasėtę kraukite esant kambario temperatūrai 10 - 40 °C. Prieš pradėdami krauti, leiskite įkaitusiai akumuliatoriaus kasetei atvėsti.
4. Įkraukite akumuliatoriaus kasėtę, jei jos nenaudojate ilgą laiką (ilgiau nei šešis mėnesius).

## VEIKIMO APRAŠYMAS

### ▲PERSPĖJIMAS:

- Prieš reguliuodami įrenginį arba tikrindami jo veikimą visada patikrinkite, ar įrenginys išjungtas, o akumuliatorių kasėtė - nuimta.

## Akumuliatoriaus kasėtės uždėjimas ir nuėmimas

- Pav.7: 1. Raudonas indikatorius 2. Mygtukas 3. Akumuliatoriaus kasėtė

### ▲PERSPĖJIMAS:

- Prieš įdėdami arba išimdami akumuliatoriaus kasėtę, visada išjunkite įrankį.
- Įdėdami arba išimdami akumuliatoriaus kasėtę, tvirtai laikykite įrankį ir akumuliatoriaus kasėtę laikysite netvirtai, jie gali išskysti iš jūsų rankų ir sąlygoti įrankio bei akumuliatoriaus kasėtės gedimą ir vartotojo sužalojimą.

Jei norite išimti akumuliatoriaus kasėtę, ištraukite ją iš įrankio, stumdami mygtuką, esantį kasėtės priekyje. Jeigu norite įdėti akumuliatoriaus kasėtę, sutapdinkite liežuvelį ant akumuliatoriaus kasėtės su groveliu korpuso ir įstumkite į skirtą vietą. Įdėkite iki galo, kol spragtelėdama užsifiksuos. Jeigu matote raudoną indikatorius viršutinėje mygtuko pusėje, ji nėra visiškai užfiksuota.

### ▲PERSPĖJIMAS:

- Akumuliatoriaus kasėtę visada įkiškite iki galo, kol nebematysite raudono indikatorius. Priešingu atveju ji gali atsitiktinai iškristi iš įrankio, sužeisti jus ar aplinkinius.
- Nekiškite akumuliatoriaus kasėtės jėga. Jeigu kasėtė sunkiai lenda, ji kišama netinkamai.

## Akumuliatoriaus apsaugos sistema (ličio jonų akumulatorius su žvaigždutės ženklų)

- Pav.8: 1. Žvaigždutės ženklas

Ličio jonų akumuliatoriuose su žvaigždutės ženklų būna įrengta apsaugos sistema. Ši sistema automatiškai atjungia įrankio maitinimą, kad akumuliatorius tarnautų ilgiau. Įrankis automatiškai išsijungs darbo metu, esant vienai iš šių įrankio ir (arba) akumuliatoriaus darbo sąlygų:

- Perkrautas:  
Įrankis naudojamas taip, kad jame neįprastai padidėja elektros srovė. Tokiu atveju atleiskite įrankio gaiduką ir nutraukite darbą, dėl kurio kilo įrankio perkrova. Po to vėl paspauskite gaiduką, kad vėl jungtumėte įrankį. Jeigu įrankis neįsijungia, reiškia perkrautas akumuliatorius. Tokiu atveju palaukite, kol akumuliatorius atvės, paskui vėl paspauskite gaiduką.
- Žema akumuliatoriaus įtampa:  
Likusi akumuliatoriaus energija per maža ir įrankis negali veikti. Tokiu atveju išimkite akumuliatorių ir įkraukite jį.

## Likusios akumulatoriaus galios rodymas

### Tik akumulatoriaus kasetėms su indikatoriumi

► **Pav.9:** 1. Indikatorijų lemputės 2. Tikrinimo mygtukas

Paspauskite akumulatoriaus kasetės tikrinimo mygtuką, kad būtų rodoma likusi akumulatoriaus energija. Maždaug trims sekundėms užsidegs indikatorijų lemputės.

Indikatorijų lemputės			Likusi galia
Šviečia	Nešviečia	Blyksi	
			75 - 100 %
			50 - 75 %
			25 - 50 %
			0 - 25 %
			Įkraukite akumulatorių.
			Galimai įvyko akumulatoriaus veikimo triktis.

**PASTABA:** Rodmuo gali šiek tiek skirtis nuo faktinės energijos lygio – tai priklauso nuo naudojimo sąlygų ir aplinkos temperatūros.

## Pjovimo gylio reguliavimas

► **Pav.10:** 1. Svirtelė

### ▲ PERSPĖJIMAS:

- Nustatę pjovimo gylį, visada saugiai užtvirtinkite svirtelę.

Atlaisvinkite ant galinės rankenos šono esančią svirtelę ir slinkite pagrindą aukštyn arba žemyn. Nustatę norimą pjovimo gylį, užtvirtinkite pagrindą, užverždami svirtelę. Norėdami pjauti švariau ir saugiau, nustatykite tokį pjovimo gylį, kad į ruošinį įeitų tik vienas disko dantis. Tinkamo pjovimo gylio pasirinkimas padeda sumažinti galimą ATATRANKOS pavojų, dėl kurios galima susižeisti.

## Įstrižųjų pjūvių darymas

► **Pav.11:** 1. Svirtelė

Atlaisvinkite ant priekinio pagrindo įstrižos padėties plokštės esančią svirtelę. Atitinkamai pakreipdami, nustatykite norimą kampą (0°-50°), tada patikimai pri-tvirtinkite svirtelę.

## Nutaikymas

► **Pav.12:** 1. Pagrindas 2. Pjovimo linija

Tiesiems pjūviams, sulygiuokite pagrindą priekyje pažymėtą „A“ padėtį su pjovimo linija. Įstrižiems 45° pjūviams, su pjovimo linija su lygiuokite „B“ padėtį.

## Jungiklio veikimas

► **Pav.13:** 1. Atlaisvinimo svirtelė 2. Gaidukas

### ▲ PERSPĖJIMAS:

- Prieš dėdami akumulatoriaus kasetę į įrankį, visuomet patikrinkite, kad jungiklio mygtukas gerai veiktų ir atleistas grįžtų į padėtį „OFF“.
- Negalima stipriai spausti gaiduko, nenuspaudus atlaisvinimo svirtelės. Galite sugadinti jungiklį.

Kad gaidukas nebūtų atsitiktinai nuspauštas, yra atlaisvinimo svirtelė. Norėdami įjungti įrankį, pastumkite atlaisvinimo svirtelę ir nuspauskite gaiduką. Norėdami išjungti, atleiskite gaiduką.

### ▲ ĮSPĖJIMAS:

- Jūsų pačių saugumui šiame įrankyje įrengta atlaisvinimo svirtelė, kuri neleidžia netyčia įjungti įrankio, jeigu nuspaudėte tik gaiduką, nenuspaudę atlaisvinimo svirtelės. PRIEŠ pradėdami vėl naudoti įrankį, atiduokite jį suremontuoti į „MAKITA“ techninio aptarnavimo centrą.
- NIEKADA neužklijuokite lipnia juostele ir nepanaikinkite atlaisvinimo svirtelės paskirties bei funkcijos.

## Lemputės įjungimas

### ▲ PERSPĖJIMAS:

- Nežiūrėkite tiesiai į šviesą arba šviesos šaltinį.

Įjunkite šviesą, nuspauskite tik gaiduką, nenuspaudę atlaisvinimo svirtelės. Įjunkite šviesą ir įjunkite įrankį, su nuspaušta atlaisvinimo svirtelė nuspauskite gaiduką.

### PASTABA:

- Urvą nuo lempos lęšių nuvalykite ausų krapš-tuku. Žiūrėkite, kad nesubraižytumėte lempos lęšių, nes pablogės apšvietimas.
- Lemputės lęšiams valyti nenaudokite benzino, skiediklio arba panašių priemonių. Jeigu naudo-site šias medžiagas, sugadinsite lęšius.

## SURINKIMAS

### ▲ PERSPĖJIMAS:

- Prieš darydami ką nors įrankiui visada patikrinkite, ar įrenginys išjungtas, o akumulatorių kasetė - nuimta.

## Geležties montavimas arba nuėmimas

- ▶ **Pav.14:** 1. Ašies fiksatorius
- ▶ **Pav.15:** 1. Šešiabriaunis veržliaraktis

### ▲ PERSPĖJIMAS:

- Patikrinkite, ar sumontuotos geležties dantys įrankio priekyje nukreipti aukštyn.
- Pjovimo disko sumontavimui arba nuėmimui naudokite tik „MAKITA“ veržliarakčių.

Norėdami nuimti geležtę, iki galo nuspauskite veleno fiksatorių, kad diskas negalėtų sukis ir, veržliarakčiu atsukite šešiakampį varžtą, sukdami prieš laikrodžio rodyklę. Po to ištraukite šešiakampį varžtą, nuimkite išorinę tarpinę ir diską.

Jei norite sumontuoti diską, vykdykite nuėmimo procedūrą atvirkščia tvarka. PATIKRINKITE, AR SAUGIAI UŽVERŽETE ŠEŠIAKAMPĮ VARŽTĄ, SUKDAMI PAGAL LAIKRODŽIO RODYKLĘ.

- ▶ **Pav.16:** 1. Šešiakampis varžtas 2. Išorinė tarpinė 3. Pjovimo diskas 4. Vidinis kraštas

Keisdami geležtę nauja, būtinai išvalykite ir viršutinę bei apatinę disko apsaugas nuo susikaupusių skiedrų ir dalelių. Tačiau to nepakanka - prieš kiekvieną naudojimą būtinai patikrinkite, ar tinkamai veikia apatinė apsauga.

## Šešiabriaunio veržliarakčio laikymas

- ▶ **Pav.17:** 1. Šešiabriaunis veržliaraktis

Nenaudojamą šešiabriaunį veržliarakčių laikykite taip, kaip parodyta paveikslėlyje, kad nepažeistumėte.

## Dulkių siurblio prijungimas

### Pasirenkamas priedas

- ▶ **Pav.18:** 1. Dulkių surenkamasis antgalis 2. Varžtas
- ▶ **Pav.19:** 1. Dulkių surenkamasis antgalis 2. Žarna 3. Dulkių siurblys

Norėdami atlikti švorią pjovimo operaciją, prie šio įrankio prijunkite „MAKITA“ dulkių siurblį. Varžtais prie įrankio prisukite dulkių antgalį. Tuomet prie dulkių antgalio prijunkite dulkių siurblio žarną, kaip parodyta piešinyje.

## NAUDOJIMAS

### ▲ PERSPĖJIMAS:

- Visuomet dėkite akumuliatoriaus kasetę iki galo tol, kol užsifiksuos. Jei matote raudoną viršutinio mygtuko šono dalį, jis ne visiškai užfiksuotas. Įstumkite jį iki galo tol, kol nebeatimsite raudonos dalies. Priešingu atveju ji gali atsitiktinai iškristi iš įrankio, sužeisti jus ar aplinkinius.
- Atsargiai tiesiai traukite įrankį į priekį. Traukiant jėga arba sukant įrankį, variklis gali perkaisti, atsirasti pavojinga atitranka, kuri kelia pavojų sunkiai susižeisti.
- Jei įrankis naudojamas tol, kol akumuliatoriaus kasetė išsikrauna, leiskite įrankiui pailsėti 15 minučių prieš tęsdami su kitu akumuliatoriumi.

### ▶ Pav.20

Tvirtai laikykite įrankį. Įrankyje įrengta priekinė ir galinė rankenos. Norėdami tvirtai laikyti įrankį, naudokite abi rankenas. Laikydami pjūklą abiejomis rankomis, negalėsite įsijauti į disko ašmenis. Padėkite įrankį pagrindu ant ruošinio, kurį pjausite, tačiau disko ašmenys neturi jo liesti. Įjunkite įrankį ir palaukite, kol diskas pradės sukis visu greičiu. Dabar tiesiog stumkite įrankį ruošinio paviršiumi į priekį, laikydami lygiai ir tolygiai stumdami, kol baigsite pjauti. Norėdami nupjauti tiksliai, įrankį stumkite tiesiai, vienu greičiu. Jeigu tiesia linija nupjauti nepavyksta, nebandykite pasukti arba jėga gražinti įrankio į pjovimo liniją. Jeigu bandysite tai padaryti, galite sulenkti geležtę, o dėl to atsiranda atitranka ir kyla pavojus sunkiai susižeisti. Išjunkite jungiklį, palaukite, kol diskas nustos sukis, tuomet atitraukite įrankį. Sulygiuokite įrankį naujai pjovimo linijai, ir vėl pradėkite pjauti. Pabandykite dirbti tokioje padėtyje, kad išvengtumėte pjūklą išmetamų pjūvenų ir medžio dulkių. Dėvėkite akių apsaugas, kurios apsaugotų nuo sužeidimo.

## Prapjovos kreiptuvas (kreipiamoji liniuotė) (papildomas priedas)

### ▶ Pav.21

Patogus prapjovos kreiptuvą leidžia atlikti labai tikslius tiesius pjūvius. Tiesiog priglauskite prapjovos kreiptuvą prie ruošinio šono ir pagrindo priekyje esančiu varžtu užtvirtinkite jį tokioje padėtyje. Šis įrengimas leidžia atlikti vienodo pločio pjūvius.

## TECHNINĖ PRIEŽIŪRA

### ▲ PERSPĖJIMAS:

- Visuomet įsitinkinkite, kad įrankis yra išjungtas ir akumuliatoriaus kasetė yra nuimta prieš atliekant apžiūrą ir priežiūrą.
- Niekada nenaudokite gazolino, benzino, tirpiklio, spirito arba panašių medžiagų. Gali atsirasti išblukimų, deformacijų arba įtrūkimų.

## 90° kampo (vertikalaus) pjūvio tikslumo nustatymas

Šis nustatymas buvo atliktas gamykloje. Bet jei jis netikslius, šešiakampių veržliarakčių sureguliuokite reguliavimo varžtus, trikampę arba keturkampę liniuotę ar kt. tikrindami, kad kampas tarp geležties ir pagrindo būtų 90°.

- ▶ **Pav.22:** 1. Reguliavimo varžtas 90° nustatymui
- ▶ **Pav.23:** 1. Trikampė liniuotė

## Anglinių šepetėlių keitimas

- ▶ **Pav.24:** 1. Ribos žymė

Periodiškai išimkite ir patikrinkite anglinius šepetėlius. Pakeiskite juos, kai nusidėvi iki ribos žymės. Laikykite anglinius šepetėlius švarius ir laisvai įslenkančius į laikiklius. Abu angliniai šepetėliai turėtų būti keičiami tuo pačiu metu. Naudokite tik identiškus anglinius šepetėlius. Jei norite nuimti šepetėlių laikiklių dangtelius, pasinaudokite atsuktuvu. Išimkite sudėvėtus anglinius šepetėlius, įdėkite naujus ir įtvirtinkite šepetėlių laikiklio dangtelį.

► **Pav.25:** 1. Šepetėlio laikiklio dangtelis 2. Atsuktuvus

Kad gaminys būtų SAUGUS ir PATIKIMAS, jį taisyti, apžiūrėti ar vykdyti bet kokią kitą priežiūrą ar derinimą turi įgaliotasis kompanijos „Makita“ techninės priežiūros centras; reikia naudoti tik kompanijos „Makita“ pagamintas atsargines dalis.

## PASIRENKAMI PRIEDAI

### **PERSPĖJIMAS:**

- Su šiame vadove aprašytu įrenginiu „Makita“ rekomenduojama naudoti tik nurodytus priedus ir papildomus įtaisus. Jeigu bus naudojami kito-kie priedai ar papildomi įtaisai, gali būti sužaloti žmonės. Priedus arba papildomus įtaisus naudokite tik pagal paskirtį.

Jeigu norite daugiau sužinoti apie tuos priedus, kreipkitės į artimiausią „Makita“ techninės priežiūros centrą.

- Pjovimo diskai
- Prapjovos kreiptuvus (kreipiamoji liniuotė)
- 5 nr. šešiakampis veržliaraktis
- Dulkių surenkamasis antgalis
- Originalus „Makita“ akumulatorius ir kroviklis

### **PASTABA:**

- Kai kurie sąraše esantys priedai gali būti pateikti įrankio pakuotėje kaip standartiniai priedai. Jie įvairiose šalyse gali skirtis.

## TEHNILISED ANDMED

Mudel	DSS500	DSS501
Tera läbimõõt	136 mm	
Max löikesügavus	90° nurga juures	51 mm
	45° nurga juures	35 mm
Pöörlemissagedus koormuseta (min <sup>-1</sup> )	3 600	
Kogupikkus	359 mm	364 mm
Netomass	2,3 - 2,6 kg	2,4 - 2,7 kg
Nimipinge	Alalisvool 14,4 V	Alalisvool 18 V

- Meie pideva uuringu- ja arendusprogrammi tõttu võidakse tehnilisi andmeid muuta ilma sellest ette teatamata.
- Tehnilised andmed võivad riigiti erineda.
- Kaal võib erineda olenevalt lisaseadistest, kaasa arvatud akukassetist. Kergeim ja raskeim kombinatsioon EPTA-protseduuri 01/2014 kohaselt on toodud tabelis.

### Sobiv akukassett ja laadija

Akukassett	Alalisvool 14,4 V mudel	BL1415N / BL1430 / BL1430B / BL1440 / BL1450 / BL1460B
	Alalisvool 18 V mudel	BL1815N / BL1820 / BL1820B / BL1830 / BL1830B / BL1840 / BL1840B / BL1850 / BL1850B / BL1860B
Laadija	DC18RC / DC18RD / DC18RE / DC18SD / DC18SE / DC18SF	

- Mõned eespool loetletud akukassetid ja -laadijad ei pruugi olla teie riigis saadaval.

**⚠ HOIATUS:** Kasutage ainult ülalpool loetletud akukassette ja laadijaid. Muude akukassetide ja laadijate kasutamine võib tekitada vigastusi ja/või tulekahju.

#### Ettenähtud kasutamine

Tööriist on ette nähtud puidust piki- ja ristsuunaliste sirgjooneliste lõigete ja erineva nurga all faaside lõikamiseks tihedas kokkupuutes töödeldava detailiga.

#### Müra

Tüüpiline A-korrigeeritud müratase vastavalt EN62841:

##### Mudel DSS500

Mürarõhutase (L<sub>PA</sub>): 91 dB (A)  
Müravõimsustase (L<sub>WA</sub>): 102 dB (A)  
Määramatus (K): 3 dB (A)

##### Mudel DSS501

Mürarõhutase (L<sub>PA</sub>): 92 dB (A)  
Müravõimsustase (L<sub>WA</sub>): 103 dB (A)  
Määramatus (K): 3 dB (A)

#### Kandke kõrvakaitsmeid

#### Vibratsioon

Vibratsiooni koguväärtus (kolmeteljeliste vektorite summa) määratud vastavalt EN62841:

Töörežiim: puidu lõikamine  
Vibratsioonitase (a<sub>h,v</sub>): 2,5 m/s<sup>2</sup> või vähem  
Määramatus (K): 1,5 m/s<sup>2</sup>

**MÄRKUS:** Deklareeritud vibratsiooniemissiooni väärtus on mõõdetud kooskõlas standardse testimismeetodiga ning seda võib kasutada ühe seadme võrdlemiseks teisega.

**MÄRKUS:** Deklareeritud vibratsiooniemissiooni väärtust võib kasutada ka mürataseme esmaseks hindamiseks.

**⚠ HOIATUS:** Vibratsioonitase võib elektritööriista tegelikkuses kasutamise ajal erineda deklareeritud väärtusest sõltuvalt tööriista kasutamise viisidest.

**⚠ HOIATUS:** Rakendage kindlasti operaatori kaitsmiseks piisavaid ohutusabinõusid, mis põhinevad hinnangulisel müratasemel tegelikus tööolukorras (võttes arvesse tööperioodi kõik osad nagu näiteks korrad, mil seade lülitatakse välja ja mil seade töötab tühikäigul, lisaks tööajale).

## EÜ vastavusdeklaratsioon

#### Ainult Euroopa riikide puhul

EÜ vastavusdeklaratsioon sisaldub käesoleva juhendi Lisas A.

## Üldised elektritööriistade ohutushoiatused

**⚠ HOIATUS:** Lugege läbi kõik selle elektritööriistaga kaasas olevad ohutushoiatused, juhised, joonised ja tehnilised andmed. Järgnevate juhiste eiramine võib põhjustada elektrilöögi, süttimise ja/või raske kehavigastuse.



# Hoidke edaspidisteks viideteks alles kõik hoiatused ja juhtnõuad.

Hoiatustes kasutatud termini „elektritööriist“ all peetakse silmas elektriga töötavaid (juhtmega) elektritööriistu või akuga töötavaid (juhtmeta) elektritööriistu.

## Juhtmeta ketassae ohutusnõuded

### Lõikamine

1. **⚠️ OHUT:** Hoidke käed lõikepiirkonnast ja -terast eemal. Hoidke oma teist kätt abikäepidemel või mootori korpusel. Kui tööriista hoitakse mõlema käega, siis ei satu need lõiketera ette.
2. **Ärge kummardage töödeldava detaili alla.** Piire ei kaitse teid lõiketera eest töödeldava detaili all.
3. **Reguleerige lõikesügavust vastavalt töödeldava detaili paksusele.** Töödeldava detaili all peavad olema näha lõiketera hambad vähem kui terve hamba kõrguse ulatuses.
4. **Ärge hoidke mitte kunagi töödeldavat detaili lõikamise ajal käes ega põlve peal. Kinnitage töödeldav detail stabiilsele alusele.** Oluline on töödeldavat detaili õigesti toestada, et vähendada keha kaitseta jätmist, lõiketera kinnikiilumist või kontrolli kaotust.

### ► Joon.1

5. **Hoidke elektritööriista isoleeritud käepidemetest, kui töötate kohtades, kus lõikeriist võib kokku puutuda peidetud juhtmete või tööriista enda toitejuhtmega.** Kokkupuude voolu all oleva juhtmega võib pingestada ka elektritööriista katmata metallosad ning operaator võib saada elektrilöögi.
6. **Pikilõikamisel kasutage alati piiret või sirge serva juhikut.** See parandab lõike täpsust ja vähendab lõiketera kinnikiilumise võimalust.
7. **Kasutage alati õige suuruse ja kujuga (teemata valise asemel) võlliaukudega lõiketerasid.** Sae konstruktsiooniga mitteühitvad lõiketerad hakkavad liikuma ekstsentriliselt, põhjustades kontrolli kaotuse tööriista üle.
8. **Ärge kasutage kahjustunud ega nõuetele mittevastavaid lõiketera seibe ega polti.** Optimaalse töövõime ja -ohutuse tagamiseks on lõiketera seibid ja polt spetsiaalselt välja töötatud teie saele.

### Tagasilöögi põhjused ja sellega seotud hoiatused

- tagasilöök on äkiline reaktsioon kinni kiilunud, kinni pigistatud või orientatsiooni kaotanud saeterele, mis põhjustab tööriista üleskerkimist ja väljumist töödeldavast detailist operaatori poole;
- kui lõiketera on sisselõikesse tihedalt kinni pigistatud või kinni kiilunud, siis lõiketera seiskub ja mootori reaktsiooni tõttu juhitakse seade kiiresti tagasi operaatori poole;
- kui lõiketera on sisselõikes väänunud või orientatsiooni kaotanud, võivad lõiketera tagumise serva hambad kaevuda puidu pealispinda ning põhjustada lõiketera ülespoole tõusmise sisselõikest ja pörkimise tagasi operaatori poole.

Tagasilöök on sae väärkasutuse ja/või ebaõigete tööoperatsioonide või -tingimuste tulemus, mida on võimalik vältida, kui järgitakse alljärgnevat asjakohaseid ettevaatusabinõusid.

1. **Hoidke saest mõlema käega kindlalt kinni ja seadke käsivarred asendisse, et vastu panna tagasilöögi jõududele. Olge ükskõik kummal pool lõiketera, kuid mitte otse selle taga.** Tagasilöök võib põhjustada tööriista järsu tahapoole liikumise, kuid asjakohaseid ettevaatusabinõusid järgides saab operaator tagasilöögi jõudusid kontrolli all hoida.
2. **Kui lõiketera kiilub kinni või katkestab mingil põhjusel lõikamise, vabastage päästik ja hoidke tööriista liikumatult materjalis, kuni tera on täielikult seiskunud. Ärge kunagi püüdke saagi eemaldada töödeldavast detailist ega tõmmake saagi tahapoole, kui lõiketera liigub või esineb tagasilöögihoht.** Tehke kindlaks lõiketera kinnikiilumise põhjus ja kõrvaldage see.
3. **Sae taaskäivitamisel töödeldavas detailis tsentreerige saetera sisselõikes nii, et saehambad ei lööks materjalisse.** Kui saetera on materjali sisse surrutud, võib see sae taaskäivitamisel kerkida või töödeldavast detailist tagasilöögi anda.
4. **Lõiketera kinnikiilumise ja tagasilöögiriski minimeerimiseks toestage suured paneelid.** Suured paneelid kalduvad omaenese raskuse all painduma. Toed tuleb paigutada paneeli mõlema külje alla lõikekoha ja paneeliserva lähedale.

### ► Joon.2

### ► Joon.3

5. **Ärge kasutage nürsid ega vigastatud lõiketerasid.** Teritamata või vääralt paigaldatud lõiketerade kasutamise tulemuseks on kitsas sisselõige, mis põhjustab liigset hõõrdumist, lõiketera kinnikiilumist ja tagasilööki.
6. **Lõiketera sügavuse ja faasi reguleerimise lukustushoovad peavad olema enne lõikamist pinguldatud ja kindlalt kinnitatud.** Kui lõiketera seadistus lõikamise ajal nihkub, võib see põhjustada kinnikiilumise ja tagasilöögi.
7. **Olge eriti ettevaatlik, kui teostate lõikeid olemasolevates seintesse või muudes varjatud piirkondades.** Väljalatuv lõiketera võib lõikuda objektidesse, mis võivad põhjustada tagasilöögi.
8. **Hoidke ALATI tööriista kindlalt kahe käega. Ärge pange oma kätt, jalga ega mingit muud kehaosa KUNAGI tööriistaluse alla ega sae taha, eriti ristlõigete tegemise ajal.** Kui tekib tagasilöök, võib saag hõlpsasti hüpata tahapoole üle teie kää ja põhjustada tõsise kehavigastuse.

### ► Joon.4

9. **Ärge kunagi kasutage sae suhtes jõudu. Lükake saagi ettepoole sellise kiirusega, et tera lõikab kiirust vähendamata.** Jõu kasutamine võib põhjustada lõigete ebatasasuse, täpsuse kaotuse ja võimaliku tagasilöögi.

## Piirde funktsioon

1. Enne igakordset kasutamist kontrollige alumise piirde õiget sulgemist. Ärge käivitage saagi, mille alumine piire ei liigu vabalt ja ei sulgu kohe. Ärge kunagi kinnitage alumist piiret klambriga ega siduge seda avatud asendisse. Kui saag on juhuslikult maha kukkunud, võib alumine piire olla paindunud. Tõstke alumist piiret väljatõmmatava käepideme abil ja veenduge, et see liiguks vabalt ega puudutaks lõiketera ning muid osi lõikamise kõigi nurkade ja sügavuste korral.
2. Kontrollige, kas alumise piirde vedru on töökorras. Kui piire ja vedru ei tõota korrektselt, tuleb neid enne tööriista kasutamist hooldada. Alumine piire võib töötada aeglaselt kahjustunud osade, kummisette või lõikamisjääkide kogunemise tõttu.
3. Alumise piirde võib käsitsi tagasi tõmmata ainult teatud lõikamiste puhul, nagu „sukelduslõikamised“ ja „kombineeritud lõikamised“. Tõstke alumist piiret väljatõmmatava käepideme abil ja niipea kui lõiketera siseneb materjali, tuleb alumine piire vabastada. Igasuguse muu saagimise puhul peab alumine juhik automaatselt töötama.
4. Enne sae asetamist pingile või pörandale jälgige alati, et alumine piire kataks lõiketera. Kaitsmata, vabalt liikuv tera võib põhjustada sae tahapoolse liikumise ja lõikumise ükskõik millesse oma liikumisteel. Olge teadlik ajast, mis kulub lõiketera seiskumiseks pärast tööriista väljalülitamist.
5. Alumise piirde kontrollimiseks avage alumine piire käega, seejärel vabastage see ja jälgige piirde sulgumist. Kontrollige ka seda, et väljatõmmatav käepide ei puudutaks tööriista korpusi. Lõiketera katmata jätmine on VÄGA OHTLIK ning võib põhjustada tõsiseid kehavigastusi.

## Lisaohutusnõuded

1. Olge eriti ettevaatlik märja puidu, survetöötlemise läbinud saematerjali või oksahõõrdetega puidu lõikamisel. Tagage tööriista sujuv liikumine lõiketera kiirust vähendamata, et vältida lõiketera tippude ülekuumenemist.
2. Ärge püüdke eemaldada lõigatavat materjali lõiketera liikumise ajal. Enne lõigatavast materjalist kinni haaramist oodake, kuni lõiketera seiskub. Terad liiguvad peale sae väljalülitamist vabakäiguga edasi.
3. Vältige naeltesse sisselõikamist. Enne lõikamist kontrollige saematerjali ja eemaldage sellest kõik naelad.
4. Asetage saekorpuse laiemi osa töödeldava detaili selle poole peale, mis on kindlalt toetatud, mitte sinna, mis pärast lõikamist küljest ära kukub. Kui töödeldav detail on lühike või väike, tuleb see pitskruvidega kinnitada. **ÄRGE PÜÜDKE HOIDA LÜHIKESI TÜKKE KÄEGA!**

### ► Joon.5

5. Enne tööriista maha asetamist pärast lõikamise lõpetamist veenduge, et piire oleks suletud ja lõiketera täielikult seiskunud.

6. Ärge kunagi püüdke saagida rakises tagurpidi asendis hoitava ketassaega. See on väga ohtlik ja võib põhjustada tõsiseid õnnetusi.

### ► Joon.6

7. Mõned materjalid võivad sisaldada mürgiseid aineid. Võtke meetmed tolmu sissehingamise ja nahaga kokkupuute vältimiseks. Järgige materjali tarnija ohutusteavet.
8. Ärge püüdke lõiketerasid seisata neid külgsuunas surudes.
9. Ärge kasutage abrasiivkettaid.
10. Kasutage saeterade puhul ainult sellist läbimõõtu, mis on märgitud tööriistale või määratud kindlaks kasutusjuhendis. Vale suurusega lõiketera kasutamine võib negatiivselt mõjutada lõiketera hõuetekohast kaitsset või kaitsepiirde funktsioneerimist, mille tagajärjeks võib olla raske kehavigastus.
11. Hoidke lõiketera terava ja puhtana. Kõvastunud kumm ja puuvaik lõiketeradel aeglustab sae tööd ning suurendab tagasilöögi tekkimise võimalust. Hoidke lõiketera puhtana, eemaldage see esmalt tööriista küljest, seejärel puhastage seda kummi- ja puuvaigu eemaldusvahendi, kuumu vee või petrooleumiga. Ärge kunagi kasutage bensiini.
12. Tööriista kasutamisel kandke tolmumaski ja kuulmiskaitsevahendeid.
13. Kasutage alati lõigatava materjali lõikamiseks ettenähtud saetera.
14. Kasutage ainult selliseid saeteri, millele märgitud kiirus on võrdne tööriistale märgitud kiirusega või sellest suurem.
15. (Ainult Euroopa riikide puhul) Kasutage alati standardile EN847-1 vastavat saetera.

## HOIDKE JUHEND ALLES.

**⚠ HOIATUS:** ÄRGE UNUSTAGE järgida toote ohutusnõudeid mugavuse või toote (korduskasutamise saavutatud) hea tundmise tõttu. VALE KASUTUS või kasutusjuhendi ohutuseeskirjade eiramine võib põhjustada tervisekahjustusi.

## Akukassetiga seotud olulised ohutusjuhised

1. Enne akukasseti kasutamist lugege (1) akulaadimise, (2) akul ja (3) seadmel olevad juhtnõuad ja hoiatused läbi.
2. Ärge võtke akukasseti lahti.
3. Kui tööaeg järsult lüheneb, siis lõpetage kohe kasutamine. Edasise kasutamise tulemuseks võib olla ülekuumenemine, võimalikud põletused või isegi plahvatus.
4. Kui elektrilüüti satub silma, siis loputage silma puhta veega ja pöörduge koheselt arsti poole. Selline õnnetus võib põhjustada pimedaksjäämist.
5. Ärge tekitage akukassetis lühist:
  - (1) Ärge puutuge klemme elektrijuhtidega.
  - (2) Ärge hoidke akukasseti tööriistakasti koos metallesemetega, nagu naelad, mündid jne.

- (3) Ärge tehke akukassetti märjaks ega jätke seda vihma kätte.

Aku lühis võib põhjustada tugevat elektri-voolu, ülekuumenemist, põletusi ning ka seedet tõsiselt kahjustada.

6. Ärge hoidke tööriista ja akukassetti kohtades, kus temperatuur võib tõusta üle 50 °C.
7. Ärge põletage akukassetti isegi siis, kui see on saanud tõsiselt vigastada või on täiesti kuldunud. Akukassett võib tules plahvatada.
8. Olge ettevaatlik, ärge laske akul maha kukkuda ja vältige lööke.
9. Ärge kasutage kahjustatud akut.
10. Sisalduvatele liitium-ioonakudele võivad kohalduda ohtlike kaupade õigusaktide nõuded.

Kaubanduslikul transportimisel, näiteks kolmandate poolte või transpordiettevõtete poolt, tuleb järgida pakendil ja siltidel toodud erinõudeid. Transportimiseks ettevalmistamisel on vajalik pidada nõu ohtliku materjali eksperdigaga. Samuti tuleb järgida võimalike riiklike regulatsioonide üksikasjalikumaid nõudeid.

Katke teibiga või varjake avatud kontaktid ja pakendage aku selliselt, et see ei saaks pakendis liikuda.

11. Järgige kasutuskõlbmatuks muutunud aku käitlemisel kohalikke eeskirju.
12. Kasutage akusid ainult Makita heaks kiidetud toodetega. Akude paigaldamine selleks mitte ettenähtud toodetele võib põhjustada süttimist, ülemäärast kuumust, plahvatamist või elektrolüüdi lekkimist.

## HOIDKE JUHEND ALLES.

**⚠ETTEVAATUST:** Kasutage ainult Makita originaalakusid. Mitte Makita originaalakude või muudetud akude kasutamine võib põhjustada akude süttimise, kehavigastuse ja kahjustuse. Samuti muudab see kehtetuks Makita tööriista ja laadija Makita garantii.

## Vihjeid aku maksimaalse kasutaja tagamise kohta

1. Laadige akukassetti enne selle täielikku tühjenemist. Kui märkate, et tööriist töötab väiksema võimsusega, peatage töö ja laadige akukassetti.
2. Ärge laadige täielikult laetud akukassetti. Ülelaadimine lühendab akude kasutusiga.
3. Laadige akukassetti toatemperatuuril 10 °C - 40 °C. Enne laadimist laske kuumenenud akukassetil maha jahtuda.
4. Kui te ei kasuta akukassetti kauem kui kuus kuud, laadige see.

## FUNKTSIONAALNE KIRJELDUS

### ⚠ETTEVAATUST:

- Kandke alati hoolt selle eest, et tööriist oleks enne reguleerimist ja kontrollimist välja lülitatud ja akukassett eemaldatud.

## Akukasseti paigaldamine või eemaldamine

► **Joon.7:** 1. Punane näidik 2. Nupp 3. Akukassett

### ⚠ETTEVAATUST:

- Lülitage tööriist alati enne akukasseti paigaldamist või eemaldamist välja.
- **Hoidke tööriista ja akukassetti kindlalt käes, kui paigaldate või eemaldate akukassetti.** Kui eiratakse nõuet tööriista ja akukasseti hoidmise kohta, võivad need käest libiseda ja maha kukkudes puruneda ja põhjustada kehavigastusi.

Akukasseti eemaldamiseks libistage see tööriista küljest lahti, vajutades kasseti esiküljel paiknevat nuppu alla. Akukasseti paigaldamiseks joondage akukasseti keel korpuse soonega ja libistage kassett oma kohale. Paigaldage kassett alati nii kaugele, et see lukustuks klõpsatusega oma kohale. Kui näete nuppu ülaosas punast osa, pole kassett täielikult lukustunud.

### ⚠ETTEVAATUST:

- Paigaldage akukassett alati täies ulatuses nii, et punast osa ei jääks näha. Vastasel korral võib kassett tööriistast välja kukkuda ning vigastada Teid või läheduses viibivaid isikuid.
- Ärge rakendage jõudu akukasseti paigaldamisel. Kui kassett ei lähe kergesti sisse, pole see õigesti paigaldatud.

## Aku kaitseüsteem (tähe märgisega liitumioonaku)

► **Joon.8:** 1. Tähe märgis

Tähe märgisega liitumioonakud on varustatud kaitse-süsteemiga. Süsteem lülitab tööriista toitevoolu automaatselt välja, et pikendada aku eluiga. Tööriist seiskub käitamise ajal automaatselt, kui tööriista ja/või aku kohta kehtivad järgmised tingimused.









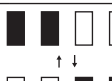
- Ülekoormus.  
Tööriista kasutatakse viisil, mis põhjustab toitevoolu tugevuse tõusu lubatust kõrgemale. Sellisel juhul vabastage tööriista päästiklüüti ja lõpetage töö, mis põhjustas tööriista ülekoormuse. Seejärel tõmmake taaskäivitamiseks uuesti päästiklüütit.  
Kui tööriist ei käivitu, on aku üle kuumenenud. Sellisel juhul laske akul maha jahtuda, enne kui päästiklüütit uuesti tõmbate.
- Madal akupinge.  
Aku jääkmahtuvus on liiga väike ja tööriist ei hakka tööle. Sellisel juhul eemaldage aku ja laadige seda.

## Aku jääkmahutavuse näit

Ainult näidikuga akukassetidele

► **Joon.9:** 1. Märkulambid 2. Kontrollimise nupp

Akukasseti järelejäänud mahutavuse kontrollimiseks vajutage kontrollimise nuppu. Märkulambid süttivad mõneks sekundiks.

Märkulambid			Jääkmahutavus
 Pöleb	 Ei põle	 Vilgub	
			75 - 100%
			50 - 75%
			25 - 50%
			0 - 25%
			Laadige akut.
			Akul võib olla tõrge.

**MÄRKUS:** Näidatud mahutavus võib veidi erineda tegelikust mahutavusest olenevalt kasutustingimustest ja ümbritseva keskkonna temperatuurist.

## Lõikesügavuse reguleerimine

► **Joon.10:** 1. Hoob

### ⚠ETTEVAATUST:

- Pärast lõikesügavuse reguleerimist pingutage hoob alati korralikult.

Lõdvendage tagumise käepideme küljel olevat hooba ning nihutage alust üles või alla. Soovitud lõikesügavuse juures kinnitage alus, pingutades hooba. Puhtamate ja ohutamate lõigete tegemiseks seadke lõikesügavus selliselt, et töödeldavas detailist allapoole ei ulatu rohkem kui üks terahammas. Õige lõikesügavuse kasutamine aitab vähendada kehavigastusi põhjustada võivate ohtlike TAGASILÕÖKIDE võimalust.

## Kaldlõikamine

► **Joon.11:** 1. Hoob

Lõdvendage hooba aluse eeskülje kaldenurga skaalal. Seadke soovitud nurk (0°-50°) seda vastavalt kallutades, seejärel kinnitage hoob kõvasti.

## Sihtimine

► **Joon.12:** 1. Tald 2. Lõikejoon

Sirglõigete tegemiseks seadke punkt A aluse esiküljel lõikejoonega kohakuti. 45° kaldlõigete tegemiseks seadke sellega kohakuti punkt B.

## Lüliti funktsioneerimine

► **Joon.13:** 1. Lahtilukustuse hoob 2. Lüliti päästik

### ⚠ETTEVAATUST:

- Kontrollige alati enne akukasseti tööriista külge paigaldamist, kas lüliti päästik funktsioneerib nõuetekohaselt ja liigub lahtilaskmisel tagasi väljalülitatud asendisse.
- Ärge tõmmake lüliti päästikut jõuga ilma lahtilukustuse hooba vajutamata. See võib lüliti vigastada.

Selleks, et lüliti päästikut poleks võimalik juhuslikult tõmmata, on tööriista lahtilukustuse hoob. Tööriista käivitamiseks vajutage lahtilukustuse hooba ning tõmmake lüliti päästikut. Seiskamiseks vabastage lüliti päästik.

### ⚠HOIATUS:

- Ohutuse huvides on sellel tööriista lahtilukustuse hoob, mis hoiab ära tööriista ootamatu käivitamise. ÄRGE KUNAGI kasutage tööriista, kui see hakkab tööle lihtsalt lüliti päästiku tõmbamisel, lahtilukustuse hooba vajutamata. ENNE edasist kasutamist toimetage tööriist nõuetekohaste remonttööde teostamiseks MAKITA teeninduskeskusesse.
- ÄRGE KUNAGI teipige lahtilukustuse hooba kinni ega üritage selle funktsiooni blokeerida.

## Lambi süütamine

### ⚠ETTEVAATUST:

- Ärge vaadake otse valgusesse ega valgusallikat.

Ainult valguse sisselülituseks tõmmake lüliti päästikut lahtilukustuse hooba vajutamata. Valguse sisselülituseks ja tööriista käivituseks vajutage lahtilukustuse hooba ja tõmmake lüliti päästikut, vajutamata lahtilukustuse hooba.

### MÄRKUS:

- Kasutage lambi läätstelt mustuse ärapühkimiseks vatitikku. Olge seda tehes ettevaatlik, et lambi läätse mitte kriimustada, sest vastasel korral võib valgustus väheneda.
- Ärge kasutage lambiklaasi puhastamiseks bensiini, vedeldit vms. Sellised ained võivad lambiklaasi kahjustada.

## KOKKUPANEK

### ⚠ETTEVAATUST:

- Kandke alati hoolt selle eest, et tööriist oleks enne igasuguseid hooldustöid välja lülitatud ja akukassett eemaldatud.

## Saetera eemaldamine või paigaldamine

► **Joon.14:** 1. Völlilukk

► **Joon.15:** 1. Kuuskantvõti

### ⚠ETTEVAATUST:

- Veenduge, et tera on paigaldatud selliselt, et hambad on suunatud tööriista esiosas üles.
- Kasutage tera paigaldamiseks ja eemaldamiseks ainult Makita mutrivõtit.

Tera eemaldamiseks vajutage vööri lukku, et tera ei saaks pöörelda ning keerake kuuskantpolt mutrivõtme abil vastupäeva lahti. Seejärel eemaldage kuuskantpolt, välimine äärik ja tera.

Tera paigaldamiseks järgige eemaldamise protseduuri vastupidises järjekorras. KEERAKE KUUSKANTPOLT KINDLASTI KORRALIKULT PÄRIPÄEVA KINNI.

► **Joon.16:** 1. Kuuskantpolt 2. Välimine flanš 3. Saetera 4. Sisemine flanš

Tera vahetamisel puhastage kindlasti ka ülemine ja alumine terakaitse neile kogunenud laastudest ja saepurust. Samas ei tähenda see, et võiks loobuda alumise tera töökorra kontrollimisest enne iga kasutuskorda.

## Kuuskantvõtme hoivulepanek

► **Joon.17:** 1. Kuuskantvõti

Pange ajaks, mil te seda ei kasuta, kuuskantvõti joonisel näidatud viisil hoivule, et see ära ei kaoks.

## Tolmuimeja ühendamine

### Valikuline tarvik

► **Joon.18:** 1. Tolmuotsak 2. Kruvi

► **Joon.19:** 1. Tolmuotsak 2. Voolik 3. Tolmuimeja

Kui soovite puhtamalt lõigata, ühendage tööriista külge Makita tolmuimeja. Paigaldage tolmuotsak kruvi abil tööriista külge. Seejärel ühendage tolmuimeja voolik tolmuotsakuga, nagu joonisel näidatud.

## TÖÖRIISTA KASUTAMINE

### ⚠ETTEVAATUST:

- Pange akukassett alati sisse nii sügavale, et see lukustuks oma kohale. Kui näete nupu ülaosas punast osa, pole kassett täielikult lukustunud. Sisestage see täies ulatuses nii, et punast osa näha ei jääks. Vastasel korral võib kassett juhuslikult tööriistast välja kukkuda ning põhjustada teile või läheduses viibivatele isikutele vigastusi.
- Liigutage tööriista kindlasti ettevaatlikult sircjooneliselt ettepoole. Tööriistale surve avaldamisel või selle väänamisel kuumeneb mootor üle ja tekib ohtlik tagasilöökk, mis võib põhjustada tõsisemaid vigastusi.
- Kui tööriistaga töötatakse järjest seni, kuni akukassett on tühi, laske tööriistal enne uue akuga töö jätkamist 15 minutit seista.

### ► Joon.20

Hoidke tööriista kindlalt käes. Tööriistal on nii eesmine kui tagumine käepide. Et hoida tööriista kindlas haardes, kasutage mõlemat. Kui mõlemad käed hoiavad saagi kinni, ei saa tera neid vigastada. Asetage alus lõigatavale detailile, ilma et tera detaili vastu puutuks. Seejärel lülitage tööriist sisse ja oodake, kuni tera saavutab täiskiiiruse. Nüüd lihtsalt viige tööriist töödeldavale pinnale või detailile, hoidke seda ühes asendis ning lükake sujuvalt edasi seni, kuni saagimine on lõpetatud. Puhta lõike saamiseks hoidke saagimisjoon sirgena ja liikumiskiirus ühtlasena. Kui lõige ei järgi korralikult soovitud lõikejoont, ärge üritage suunata tööriista jõuga tagasi lõikejoonele. Seda tehes võib tera takerduda, põhjustades tagasilöögi ja tõsise vigastuse. Vabastage lüliti, oodake tera peatumiseni ning eemaldage siis tööriist. Joondage tööriist uue lõikejoonega ja alustage uuesti lõikamist. Püüdke vältida asendit, milles operaa-tor jääb saest väljapaiskuvate laastude ja saepuru teele. Kasutage kaitseprille, mis aitavad vältida vigastusi.

## Piire (juhtjoonlaud) (tarvik)

► **Joon.21**

Käepärane piire võimaldab teha eriti täpseid sirglõikeid. Libistage lihtsalt piire tihedalt vastu töödeldava detaili külge üles ja kinnitage see aluse esiosas oleva kruviga kohale. Samuti võimaldab see ühesuguse laiusega korduvlõigete tegemist.

## HOOLDUS

### ⚠ETTEVAATUST:

- Kandke alati enne kontroll- või hooldustoimingu teostamist hoolt selle eest, et tööriist oleks välja lülitatud ja akukassett korpuse küljest eemaldatud.
- Ärge kunagi kasutage bensiini, vedeldit, alkoholi ega midagi muud sarnast. Selle tulemuseks võib olla liitumine, deformatsioon või pragunemine.

## 90° lõike (vertikaallõige) täpsuse seadmine

See on tehases reguleeritud. Kui see on vale, reguleerige reguleerimiskruvi kuuskantkruvikeerajaga, kontrollides tera 90° nurka alusega, kasutades kolmnurkjoonlauda, nurgikut vms.

► **Joon.22:** 1. 90° reguleerkruvi

► **Joon.23:** 1. Kolmnurkjoonlaud

## Süsiharjade asendamine

► **Joon.24:** 1. Piirmärgis

Võtke välja ja kontrollige süsiharju regulaarselt. Asendage süsiharjad uutega, kui need on kulunud piirmärgini. Hoidke süsiharjad puhtad, nii on neid lihtne oma hoidikutesse libistada. Mõlemad süsiharjad tuleb asendada korraga. Kasutage ainult identseid süsiharju. Kasutage harjahoidikute kaante eemaldamiseks kruvikeerajat. Võtke ära kulunud süsiharjad välja, paigaldage uued ning kinnitage harjahoidikute kaaned tagasi oma kohale.

► **Joon.25: 1.** Harjahoidiku kate **2.** Kruvikeeraja

Toote OHUTUSE ja TÖÖKINDLUSE tagamiseks tuleb vajalikud remonttööd, muud hooldus- ja reguleerimistööd lasta teha Makita volitatud teeninduskeskustes. Alati tuleb kasutada Makita varuosi.

## VALIKULISED TARVIKUD

### **ETTEVAATUST:**

- Neid tarvikuid ja lisaseadiseid on soovitatav kasutada koos Makita tööriistaga, mille kasutamist selles kasutusjuhendis kirjeldatakse. Muude tarvikute ja lisaseadiste kasutamisega kaasneb vigastada saamise oht. Kasutage tarvikuid ja lisaseadiseid ainult otstarvetel, milleks need on ette nähtud.

Saate vajadusel kohalikust Makita teeninduskeskusest lisateavet nende tarvikute kohta.

- Saeterad
- Piire (juhtjoonlaud)
- Kuuskantvõti nr 5
- Tolmuotsak
- Makita algupärane aku ja laadija

### **MÄRKUS:**

- Mõned nimekirjas loetletud tarvikud võivad kuuluda standardvarustusse ning need on lisatud tööriista pakendisse. Need võivad riikide lõikes erineda.

## ТЕХНИЧЕСКИЕ ХАРАКТЕРИСТИКИ

Модель	DSS500		DSS501	
Диаметр полотна	136 мм			
Максимальная глубина резки	при 90°	51 мм		
	при 45°	35 мм		
Число оборотов без нагрузки (мин <sup>-1</sup> )	3 600			
Общая длина	359 мм		364 мм	
Вес нетто	2,3 - 2,6 кг		2,4 - 2,7 кг	
Номинальное напряжение	14,4 В пост. Тока		18 В пост. Тока	

- Благодаря нашей постоянно действующей программе исследований и разработок указанные здесь технические характеристики могут быть изменены без предварительного уведомления.
- Технические характеристики могут различаться в зависимости от страны.
- Масса может отличаться в зависимости от дополнительного оборудования. Обратите внимание, что блок аккумулятора также считается дополнительным оборудованием. В таблице представлены комбинации с наибольшим и наименьшим весом в соответствии с процедурой ЕРТА 01/2014.

### Подходящий блок аккумулятора и зарядное устройство

Блок аккумулятора	Модель 14,4 В пост. тока	BL1415N / BL1430 / BL1430B / BL1440 / BL1450 / BL1460B
	Модель 18 В пост. тока	BL1815N / BL1820 / BL1820B / BL1830 / BL1830B / BL1840 / BL1840B / BL1850 / BL1850B / BL1860B
Зарядное устройство	DC18RC / DC18RD / DC18RE / DC18SD / DC18SE / DC18SF	

- В зависимости от региона проживания некоторые блоки аккумуляторов и зарядные устройства, перечисленные выше, могут быть недоступны.

**⚠ОСТОРОЖНО:** Используйте только перечисленные выше блоки аккумуляторов и зарядные устройства. Использование других блоков аккумуляторов и зарядных устройств может привести к травме и/или пожару.

#### Назначение

Данный инструмент предназначен для продольных и поперечных прямых пропилов и распилов под углом изделий из древесины при хорошем контакте с обрабатываемой деталью.

#### Шум

Типичный уровень взвешенного звукового давления (A), измеренный в соответствии с EN62841:

##### Модель DSS500

Уровень звукового давления ( $L_{pA}$ ): 91 дБ (A)

Уровень звуковой мощности ( $L_{WA}$ ): 102 дБ (A)

Погрешность (K): 3 дБ (A)

##### Модель DSS501

Уровень звукового давления ( $L_{pA}$ ): 92 дБ (A)

Уровень звуковой мощности ( $L_{WA}$ ): 103 дБ (A)

Погрешность (K): 3 дБ (A)

**Используйте средства защиты слуха**

#### Вибрация

Суммарное значение вибрации (сумма векторов по трем осям) определяется по следующим параметрам EN62841:

Рабочий режим: резка дерева

Распространение вибрации ( $a_{h,w}$ ): 2,5 м/с<sup>2</sup> или менее

Погрешность (K): 1,5 м/с<sup>2</sup>

**ПРИМЕЧАНИЕ:** Заявленное значение распространения вибрации измерено в соответствии со стандартной методикой испытаний и может быть использовано для сравнения инструментов.

**ПРИМЕЧАНИЕ:** Заявленное значение распространения вибрации можно также использовать для предварительных оценок воздействия.

**⚠ОСТОРОЖНО:** Распространение вибрации во время фактического использования электроинструмента может отличаться от заявленного значения в зависимости от способа применения инструмента.

**⚠ОСТОРОЖНО:** Обязательно определите меры безопасности для защиты оператора, основанные на оценке воздействия в реальных условиях использования (с учетом всех этапов рабочего цикла, таких как выключение инструмента, работа без нагрузки и включение).

### Декларация о соответствии ЕС

*Только для европейских стран*

Декларация о соответствии ЕС включена в руководство по эксплуатации (Приложение А).

## Общие рекомендации по технике безопасности для электроинструментов

**▲ ОСТОРОЖНО:** Ознакомьтесь со всеми представленными инструкциями по технике безопасности, указаниями, иллюстрациями и техническими характеристиками, прилагаемыми к данному электроинструменту. Несоблюдение каких-либо инструкций, указанных ниже, может привести к поражению электрическим током, пожару и/или серьезной травме.

## Сохраните брошюру с инструкциями и рекомендациями для дальнейшего использования.

Термин "электроинструмент" в предупреждениях относится ко всему инструменту, работающему от сети (с проводом) или на аккумуляторах (без провода).

## Правила техники безопасности при эксплуатации аккумуляторной циркулярной пилы

### Процедуры резки

- ▲ ОПАСНО:** Держите руки на расстоянии от места распила и пилы. Держите вторую руку на дополнительной ручке или корпусе двигателя. Удержание инструмента обеими руками позволит избежать попадания рук диск пилы.
  - Не наклоняйтесь под обрабатываемую деталь. Защитный кожух не защитит вас от диска под обрабатываемой деталью.
  - Отрегулируйте глубину распила в соответствии с толщиной детали. Под распиливаемой деталью должен быть виден почти весь зуб пилы.
  - Запрещается держать деталь руками и ставить ее поперек ноги во время работы. Закрепите обрабатываемую деталь на устойчивом основании. Важно обеспечить правильную фиксацию детали для снижения до минимума риска получения травм, заклинивания диска или потери контроля.
- Рис.1
- Если при выполнении работ существует риск контакта режущего инструмента со скрытой электропроводкой или собственным шнуром питания, держите электроинструмент за специально предназначенные изолированные поверхности. Контакт с проводом под напряжением приведет к тому, что металлические детали инструмента также будут под напряжением, что приведет к поражению оператора электрическим током.
  - Обязательно используйте направляющей планкой или направляющей с прямым краем при продольной распиловке. Это повышает точность распила и снижает риск изгиба диска.

- Обязательно используйте диски соответствующего размера и формы отверстий для оправки (ромбовидные или круглые). Диски с несоответствующим креплением будут работать эксцентрически, что приведет к потере контроля над инструментом.
- Запрещается использовать поврежденные или несоответствующие пиле шайбы или болт крепления. Шайбы и болт крепления диска были специально разработаны для данной пилы с целью обеспечения оптимальных эксплуатационных характеристик и безопасности работы.

### Причины отдачи и соответствующие предупреждения

- отдача - это мгновенная реакция на защемление, застревание или нарушение соосности пильного диска, приводящая к неконтролируемому подъему пилы и ее движению из детали по направлению к оператору;
- если диск защемлен или жестко ограничивается пропилом снизу, он прекратит вращаться, и реакция двигателя приведет к тому, что инструмент начнет быстро двигаться в сторону оператора;
- если диск становится изогнутым или неправильно ориентированным в распиле, зубья на задней стороне диска могут цепляться за верхнюю поверхность распиливаемой древесины, что приведет к выскакиванию диска из пропила и его движению в сторону оператора.

Отдача - это результат неправильного использования пилы и/или неправильных процедур или условий эксплуатации. Ее можно избежать, соблюдая меры предосторожности, указанные ниже.

- Крепко держите пилу обеими руками и располагайте руки так, чтобы они могли справиться с отдачей.** Располагайтесь с боковой стороны циркулярной пилы, а не на одной линии с ней. Отдача может привести к отскакиванию дисковой пилы назад, однако силы отдачи могут контролироваться оператором при условии соблюдения соответствующих мер предосторожности.
- При изгибании пилы или прекращении пиления по какой-либо причине отпустите триггерный переключатель и держите пилу без ее перемещения в детали до полной остановки вращения диска. Не пытайтесь вытянуть пилу из распиливаемой детали или потянуть пилу назад, когда пила продолжает вращаться. Это может привести к отдаче.** Проверьте и выполните действия по устранению причины заклинивания диска.
- При повторном включении пилы, когда она находится в детали, отцентрируйте пильный диск в пропиле так, чтобы зубья пилы не касались распиливаемой детали. Если пильный диск изогнется, пила может приподняться или возникнет обратная отдача при повторном запуске пилы.
- Поддерживайте большие панели для снижения риска заклинивания и отдачи диска.** Большие панели провисают под собственным весом. Опоры необходимо располагать под панелью с обеих сторон, около линии распила и около края панели.

► Рис.2

► Рис.3



5. Не используйте тупые или поврежденные диски. Незаточенные или неправильно установленные диски приведут к узкому распилу, что вызовет чрезмерное трение, заклинивание диска и отдачу.
6. Перед резкой необходимо крепко затянуть блокирующие рычаги глубины распила и регулировки скоса. Если при резке регулировка диска нарушится, это может привести к заклиниванию диска и возникновению отдачи.
7. Будьте особенно осторожны при распиливании уже имеющихся стен или иных поверхностей, недоступных для осмотра. Выступающий диск пилы может столкнуться с предметами, которые могут вызвать отдачу инструмента.
8. **ВСЕГДА держите инструмент крепко обеими руками. НИКОГДА не помещайте свои руки, ноги или иные части тела под основание инструмента или позади пилы, особенно при выполнении поперечных распилов.** В случае отдачи пила может легко отскочить назад на вашу руку, что приведет к серьезной травме.

#### ► Рис.4

9. Никогда не прилагайте повышенных усилий к пиле. Двигайте пилу вперед со скоростью, которая позволяет дисковой пиле пилить без снижения скорости. Приложение повышенных усилий к дисковой пиле может привести к неравномерному распилу, снижению точности и возможной отдаче.

#### Функционирование ограждения

1. Перед каждым использованием убедитесь в том, что нижний защитный кожух надежно закрыт. Не эксплуатируйте пилу, если нижний защитный кожух не перемещается свободно и мгновенно не закрывается. Запрещается фиксировать нижний защитный кожух в открытом положении каким бы то ни было способом. При случайном падении пилы кожух может погнуться. Поднимите нижний защитный кожух при помощи ручки подъема и убедитесь в его свободном перемещении и в том, что он не касается пилы или других деталей при любом угле и глубине распила.
2. Проверьте работу пружины нижнего защитного кожуха. Если щиток и пружина не работают надлежащим образом, их необходимо отремонтировать перед использованием пилы. Нижний защитный кожух может работать медленно из-за поврежденных деталей, отложения смол или скопления мусора.
3. Нижний защитный кожух можно поднимать вручную только при специальных распилах, таких как “врезание” или “комплексная резка”. Поднимите нижний кожух, отодвинув рукоятку назад; как только диск войдет в материал, нижний защитный кожух обязательно нужно вернуть на место. При осуществлении любых других распилов нижний защитный кожух должен работать автоматически.
4. Перед тем как положить пилу на верстак или на пол, обязательно убедитесь, что нижний защитный кожух закрывает режущий диск. Незащищенный, вращающийся по инерции диск пилы может непреднамеренно двинуться назад, распиливая все, что попадет на пути. Помните о времени, необходимом для полной остановки пилы после отпущения выключателя.

5. Для проверки нижнего кожуха вручную откройте нижний защитный кожух, затем отпустите и убедитесь, что он закрылся. Также убедитесь в том, что убирающаяся ручка не касается корпуса. Открытая пила **ОЧЕНЬ ОПАСНА** и может привести к серьезной травме.

#### Дополнительные предупреждения о безопасности

1. Будьте особенно осторожны при распиливании сырой, прессованной или сучковатой древесины. Сохраняйте постоянную скорость подачи без снижения оборотов диска, чтобы избежать перегрева кромок диска.
2. Не пытайтесь убирать отрезанные детали при вращении диска. Перед удалением распиленных деталей дождитесь полной остановки пилы. После выключения диска будет вращаться еще некоторое время.
3. Избегайте попадания режущего инструмента на гвозди. Перед распиливанием осмотрите деталь и удалите из нее все гвозди.
4. Устанавливайте более широкую часть основания пилы на ту часть обрабатываемой детали, которая имеет хорошую опору, а не на ту часть, которая упадет после отпиливания. Если распиливаемая деталь короткая или маленькая, ее необходимо закрепить. **НЕ ПЫТАЙТЕСЬ УДЕРЖИВАТЬ КОРОТКИЕ ДЕТАЛИ РУКОЙ!**

#### ► Рис.5

5. Перед размещением пилы после завершения распила убедитесь, что нижний защитный кожух закрылся и пила полностью прекратила вращаться.
6. Никогда не пытайтесь осуществлять распиливание, закрепив циркулярную пилу в перевернутом виде. Это очень опасно и может привести к серьезным травмам.

#### ► Рис.6

7. Некоторые материалы могут содержать токсичные химические вещества. Примите соответствующие меры предосторожности, чтобы избежать вдыхания или контакта с кожей таких веществ. Соблюдайте требования, указанные в паспорте безопасности материала.
8. Не пытайтесь остановить пилу путем бокового давления на пильный диск.
9. Не используйте абразивные круги.
10. Разрешается использовать только пильные диски с диаметром, соответствующим указанному на инструменте или в руководстве. Применение диска неверного размера может препятствовать надлежащей защите диска или мешать работе защитного кожуха, что, в свою очередь, может стать причиной серьезных травм.
11. Пилы должны быть острыми и чистыми. Смола и древесный пек, затвердевшие на пильных дисках, снижают производительность пилы и повышают потенциальный риск отдачи. Содержите пилу в чистоте. Для этого снимите ее с инструмента и очистите растворителем смолы и древесного пека, горячей водой или керосином. Запрещается использовать бензин.

12. При использовании инструмента надевайте пылезащитную маску и используйте средства защиты слуха.
13. Используйте пыльные диски, соответствующие материалу заготовки.
14. Используйте только пыльные диски, маркировка максимальной скорости которых равна или выше скорости, указанной на инструменте.
15. (Только для европейских стран) Используйте диски, соответствующие EN847-1.
7. Не бросайте аккумуляторный блок в огонь, даже если он сильно поврежден или полностью вышел из строя. Аккумуляторный блок может взорваться под действием огня.
8. Не роняйте и не ударяйте аккумуляторный блок.
9. Не используйте поврежденный аккумуляторный блок.
10. Входящие в комплект литий-ионные аккумуляторы должны эксплуатироваться в соответствии с требованиями законодательства об опасных товарах.

## СОХРАНИТЕ ДАННЫЕ ИНСТРУКЦИИ.

**⚠ОСТОРОЖНО: НЕ ДОПУСКАЙТЕ,** чтобы удобство или опыт эксплуатации данного устройства (полученный от многократного использования) доминировали над строгим соблюдением правил техники безопасности при обращении с этим устройством. **НЕПРАВИЛЬНОЕ ИСПОЛЬЗОВАНИЕ** инструмента или несоблюдение правил техники безопасности, указанных в данном руководстве, может привести к тяжелой травме.

### Важные правила техники безопасности для работы с аккумуляторным блоком

1. Перед использованием аккумуляторного блока прочитайте все инструкции и предупреждающие надписи на (1) зарядном устройстве, (2) аккумуляторном блоке и (3) инструменте, работающем от аккумуляторного блока.
2. Не разбирайте аккумуляторный блок.
3. Если время работы аккумуляторного блока значительно сократилось, немедленно прекратите работу. В противном случае, может возникнуть перегрев блока, что приведет к ожогам и даже к взрыву.
4. В случае попадания электролита в глаза промойте их обильным количеством чистой воды и немедленно обратитесь к врачу. Это может привести к потере зрения.
5. Не замыкайте контакты аккумуляторного блока между собой:
  - (1) Не прикасайтесь к контактам какими-либо токопроводящими предметами.
  - (2) Не храните аккумуляторный блок в контейнере вместе с другими металлическими предметами, такими как гвозди, монеты и т. п.
  - (3) Не допускайте попадания на аккумуляторный блок воды или дождя.
 Замыкание контактов аккумуляторного блока между собой может привести к возникновению большого тока, перегреву, возможному ожогу и даже поломке блока.
6. Не храните инструмент и аккумуляторный блок в местах, где температура может достигать или превышать 50 °C (122 °F).

При коммерческой транспортировке, например, третьей стороной или экспедитором, необходимо нанести на упаковку специальные предупреждения и маркировку.

- В процессе подготовки устройства к отправке обязательно проконсультируйтесь со специалистом по опасным материалам. Также соблюдайте местные требования и нормы. Они могут быть строже. Закройте или закрепите разомкнутые контакты и упакуйте аккумулятор так, чтобы он не перемещался по упаковке.
11. Выполняйте требования местного законодательства относительно утилизации аккумуляторного блока.
  12. Используйте аккумуляторы только с продукцией, указанной Makita. Установка аккумуляторов на продукцию, не соответствующую требованиям, может привести к пожару, перегреву, взрыву или утечке электролита.

## СОХРАНИТЕ ДАННЫЕ ИНСТРУКЦИИ.

**⚠ВНИМАНИЕ:** Используйте только фирменные аккумуляторные батареи Makita. Использование аккумуляторных батарей, не произведенных Makita, или батарей, которые были подвергнуты модификациям, может привести к взрыву аккумулятора, пожару, травмам и повреждению имущества. Это также автоматически аннулирует гарантию Makita на инструмент и зарядное устройство Makita.

## Советы по обеспечению максимального срока службы аккумулятора

1. Заряжайте блок аккумуляторов перед его полной разрядкой. Обязательно прекратите работу с инструментом и зарядите блок аккумуляторов, если вы заметили снижение мощности инструмента.
2. Никогда не подзаряжайте полностью заряженный блок аккумуляторов. Перезарядка сокращает срок службы аккумулятора.
3. Заряжайте блок аккумуляторов при комнатной температуре в 10 - 40 °C (50 - 104 °F). Перед зарядкой горячего блока аккумуляторов дайте ему остыть.
4. Зарядите ионно-литиевый аккумуляторный блок, если вы не будете пользоваться инструментом длительное время (более шести месяцев).

# ОПИСАНИЕ ФУНКЦИОНИРОВАНИЯ

## ⚠ ВНИМАНИЕ:

- Перед регулировкой или проверкой функционирования всегда отключайте инструмент и вынимайте блок аккумулятора.

## Установка или снятие блока аккумулятора

- Рис.7: 1. Красный индикатор 2. Кнопка 3. Блок аккумулятора

## ⚠ ВНИМАНИЕ:

- Обязательно выключайте инструмент перед установкой и извлечением аккумуляторного блока.
- При установке или снятии аккумуляторного блока надежно удерживайте инструмент и аккумуляторный блок. Иначе инструмент или аккумуляторный блок могут выскользнуть из рук, что может привести к травмам или повреждению инструмента и аккумуляторного блока.

Для снятия аккумуляторного блока нажмите кнопку на лицевой стороне и извлеките блок.

Для установки аккумуляторного блока совместите выступ блока с пазом в корпусе и задвиньте его на место. Устанавливайте блок до упора так, чтобы он зафиксировался на месте с небольшим щелчком. Если вы можете видеть красный индикатор на верхней части клавиши, аккумуляторный блок не полностью установлен на месте.

## ⚠ ВНИМАНИЕ:

- Обязательно устанавливайте аккумуляторный блок до конца, чтобы красный индикатор не был виден. В противном случае аккумуляторный блок может выпасть из инструмента и нанести травму вам или другим людям.
- Не прилагайте чрезмерных усилий при установке аккумуляторного блока. Если блок не двигается свободно, значит он вставлен неправильно.

## Система защиты аккумуляторной батареи (ионно-литиевый аккумуляторный блок со звездочкой)

- Рис.8: 1. Звездочка

В ионно-литиевых аккумуляторных блоках со звездочкой предусмотрена система защиты. Она автоматически отключает питание для продления срока службы аккумуляторного блока.

Инструмент автоматически остановится во время работы при возникновении указанных ниже ситуаций:

- Перегрузка:  
Из-за способа эксплуатации инструмент потребляет очень большое количество тока. В этом случае отпустите курковый переключатель на инструменте и прекратите использование, повлекшее перегрузку инструмента. Затем снова нажмите на курковый выключатель для перезапуска. Если инструмент не включается, значит, перегрелся аккумуляторный блок. В этом случае дайте ему остыть перед повторным нажатием на курковый выключатель.
- Низкое напряжение аккумуляторной батареи:  
Уровень оставшегося заряда аккумулятора слишком низкий и инструмент не работает. В этом случае снимите и зарядите аккумуляторный блок.

## Индикация оставшегося заряда аккумулятора

Только для блоков аккумулятора с индикатором

- Рис.9: 1. Индикаторы 2. Кнопка проверки

Нажмите кнопку проверки на аккумуляторном блоке для проверки заряда. Индикаторы загорятся на несколько секунд.

Индикаторы			Уровень заряда
Горит	Выкл.	Мигает	
■	■	■	от 75 до 100%
■	■	□	от 50 до 75%
■	□	□	от 25 до 50%
■	□	□	от 0 до 25%
▣	□	□	Зарядите аккумуляторную батарею.
■	■	□	Возможно, аккумуляторная батарея неисправна.
□	□	■	

**ПРИМЕЧАНИЕ:** В зависимости от условий эксплуатации и температуры окружающего воздуха индикация может незначительно отличаться от фактического значения.

## Регулировка глубины резки

- Рис.10: 1. Рычаг

## ⚠ ВНИМАНИЕ:

- После регулировки глубины реза всегда крепко затягивайте рычаг.

Ослабьте рычаг на стороне задней ручки и поднимите или опустите основание. Установив необходимую глубину резки, закрепите основание путем затяжки рычага.

Для обеспечения более чистых, безопасных распилов, установите глубину резки на такое значение, чтобы под обрабатываемой деталью выступал только один зубец диска. Установка надлежащей глубины резки снижает вероятность опасных ОТСКОКОВ, которые могут причинить травму.

## Рез под углом

### ► Рис.11: 1. Рычаг

Ослабьте рычаг пластины шкалы распила под углом, расположенной на переднем основании. Установите необходимый угол ( $0^\circ - 50^\circ$ ), для чего наклоните пластину соответствующим образом, а затем хорошо затяните рычаг.

## Визир

### ► Рис.12: 1. Основание 2. Линия отреза

Для осуществления прямых распилов, совместите положение А в передней части основания с линией распила. Для распилов под углом в  $45^\circ$ , совместите положение В с линией распила.

## Действие выключателя

### ► Рис.13: 1. Рычаг разблокирования 2. Курковый выключатель

#### ▲ВНИМАНИЕ:

- Перед вставкой блока аккумуляторов в инструмент, всегда проверяйте, что триггерный переключатель работает надлежащим образом и возвращается в положение "ВЫКЛ", если его отпустить.
- Не давите сильно на курковый выключатель, если не был нажат рычаг разблокировки, т. к. это может привести к поломке куркового выключателя.

Во избежание случайного нажатия куркового переключателя инструмент оборудован рычагом разблокировки. Для включения инструмента нажмите на рычаг разблокировки, а затем - курковый выключатель. Для выключения инструмента отпустите курковый выключатель.

#### ▲ОСТОРОЖНО:

- В целях обеспечения безопасности работ инструмент оборудован рычагом разблокировки, предназначенным для предотвращения случайного включения инструмента. НЕ ИСПОЛЬЗУЙТЕ инструмент в том случае, если для его запуска достаточно просто нажать курковый выключатель без нажатия на рычаг разблокировки. ПЕРЕД дальнейшим использованием отремонтируйте инструмент в сервисном центре компании MAKITA.
- Фиксировать рычаг разблокировки при помощи липкой ленты и вносить изменения в его конструкцию ЗАПРЕЩЕНО.

## Включение лампы

#### ▲ВНИМАНИЕ:

- Не смотрите непосредственно на свет или источник света.

Для включения только освещения нажмите на курковый выключатель, не нажимая на стопорный рычаг. Для включения освещения и инструмента нажмите на стопорный рычаг и, удерживая его в нажатом положении, нажмите на курковый выключатель.

#### ПРИМЕЧАНИЕ:

- Для удаления пыли с линзы лампы используйте ватную палочку. Во избежание ухудшения освещения не допускайте появления царапин на линзе лампы.
- Не используйте бензин, растворитель или иные аналогичные жидкости для чистки линзы лампы. Использование подобных веществ может повредить линзу.

## МОНТАЖ

#### ▲ВНИМАНИЕ:

- Перед проведением каких-либо работ с инструментом всегда проверяйте, что инструмент отключен, а блок аккумуляторов снят.

## Снятие или установка пильного диска

### ► Рис.14: 1. Фиксатор вала

### ► Рис.15: 1. Шестигранный ключ

#### ▲ВНИМАНИЕ:

- Обязательно проверяйте установку диска, чтобы зубья смотрели вверх в передней части инструмента.
- Для снятия или установки дисков пользуйтесь только ключом Makita.

Для снятия диска, нажмите на замок вала, чтобы диск не вращался, и ослабьте шестигранный болт, повернув его ключом против часовой стрелки. Затем выньте шестигранный болт, внешний фланец и диск. Для установки диска выполните процедуру снятия в обратной последовательности. **ОБЯЗАТЕЛЬНО КРЕПКО ЗАКРУТИТЕ ШЕСТИГРАННЫЙ БОЛТ ПО ЧАСОВОЙ СТРЕЛКЕ.**

- ### ► Рис.16: 1. Болт с шестигранной головкой 2. Наружный фланец 3. Пильный диск 4. Внутренний фланец

При замене пильного диска также очистите верхнее и нижнее ограждение пилы от скопившейся стружки и частиц. Однако эти действия не освобождают вас от необходимости проверки работы нижнего ограждения перед каждым использованием инструмента.

## Хранение шестигранного ключа

### ► Рис.17: 1. Шестигранный ключ

Когда шестигранный ключ не используется, храните его, как показано на рисунке, чтобы не потерять.

## Подключение пылесоса

### Дополнительные принадлежности

#### ► Рис.18: 1. Пылесборный патрубок 2. Винт

#### ► Рис.19: 1. Пылесборный патрубок 2. Шланг 3. Пылесос

Для "чистого" распиливания подсоедините к инструменту пылесос Makita. Установите противопылевую насадку на инструмент при помощи винтов. Затем подсоедините шланг пылесоса к насадке, как показано на рисунке.

## ЭКСПЛУАТАЦИЯ

### ⚠ВНИМАНИЕ:

- Всегда вставляйте блок аккумуляторов до конца, пока он не зафиксируется на месте. Если Вы можете видеть красную часть верхней стороны кнопки, она закрыта не полностью. Полностью вставьте ее, чтобы красную часть не было видно. Если этого не сделать, блок может неожиданно выпасть из инструмента и причинить Вам или кому-либо около Вас травмы.
- Обязательно осторожно перемещайте инструмент по направлению вперед по прямой линии. Применение силы или кручение инструмента приводят к перегреву двигателя и опасному отскоку, результатом чего может стать серьезная травма.
- Если инструмент эксплуатировался непрерывно до разряда блока аккумуляторов, сделайте перерыв на 15 минут перед началом работы с заряженным аккумулятором.

### ► Рис.20

Крепко держите инструмент. Данный инструмент оборудован и передней рукояткой, и задней ручкой. Для надежного удержания инструмента пользуйтесь ими обеими. Если держать пилу обеими руками, их нельзя поранить диском. Установите основание на обрабатываемую деталь, при этом диск не должен ее касаться. Затем включите инструмент и подождите, пока диск наберет полную скорость. Теперь просто перемещайте инструмент вперед по поверхности обрабатываемой детали, при этом пила должна ровно лежать на плоскости, и аккуратно продвигайте пилу до завершения распиливания. Для достижения чистых распилов, соблюдайте ровную линию распила и равномерную скорость продвижения. Если инструмент не идет по намеренной линии распила, не пытайтесь поворачивать или прилагать усилия к инструменту, чтобы вернуть его к линии распила. Это может привести к заклиниванию диска, опасному отскоку и возможной серьезной травме. Отпустите переключатель, дождитесь остановки диска и поднимите инструмент. Выровняйте инструмент по новой линии распила и начните пиление заново. Попытайтесь избежать такого положения, при котором на оператора падает щепа и древесина, вылетающая из-под пилы. Пользуйтесь средствами защиты глаз для предотвращения травм.

## Направляющая планка (направляющая линейка) (дополнительная принадлежность)

### ► Рис.21

Удобная направляющая линейка позволяет Вам делать сверточные прямые распилы. Просто продвиньте направляющую планку к боковой поверхности обрабатываемой детали и закрепите ее в таком положении с помощью винта в передней части основания. Она также позволяет осуществлять повторные распилы одинаковой ширины.

## ТЕХОБСЛУЖИВАНИЕ

### ⚠ВНИМАНИЕ:

- Перед проведением проверки или работ по техобслуживанию, всегда проверяйте, что инструмент выключен, а блок аккумуляторов вынут.
- Запрещается использовать бензин, лигроин, растворитель, спирт и т.п. Это может привести к изменению цвета, деформации и появлению трещин.

## Настройка точности для разреза под углом в 90° (вертикальный разрез)

Эти регулировки были выполнены на заводе-изготовителе. Однако если настройка сбилась, отрегулируйте ее при помощи регулировочных винтов и шестигранного ключа, проверяя положение циркулярной пилы под углом 90° к основанию, используя треугольник или квадратную линейку и т. п.

### ► Рис.22: 1. Регулировочный винт для 90°

### ► Рис.23: 1. Треугольная линейка

## Замена угольных щеток

### ► Рис.24: 1. Ограничительная метка

Регулярно вынимайте и проверяйте угольные щетки. Заменяйте их, если они изношены до ограничительной отметки. Содержите угольные щетки в чистоте и в свободном для скольжения в держателях положении. При замене необходимо менять обе угольные щетки одновременно. Используйте только одинаковые угольные щетки. Используйте отвертку для снятия крышек щеткодержателей. Извлеките изношенные угольные щетки, вставьте новые и закрутите крышки щеткодержателей.

### ► Рис.25: 1. Колпачок держателя щетки 2. Отвертка

Для обеспечения БЕЗОПАСНОСТИ и НАДЕЖНОСТИ оборудования, ремонт, любое другое техобслуживание или регулировку необходимо производить в уполномоченных сервис-центрах Makita, с использованием только сменных частей производства Makita.

# ДОПОЛНИТЕЛЬНЫЕ ПРИНАДЛЕЖНОСТИ

## **⚠ ВНИМАНИЕ:**

- Эти принадлежности или насадки рекомендуются использовать вместе с вашим инструментом Makita, описанным в данном руководстве. Использование каких-либо других принадлежностей или насадок может представлять опасность получения травм. Используйте принадлежность или насадку только по указанному назначению.

Если вам необходимо содействие в получении дополнительной информации по этим принадлежностям, свяжитесь со своим местным сервис-центром Makita.

- Пильные диски
- Направляющая планка (направляющая линейка)
- Шестигранный ключ 5
- Сопло для пыли
- Оригинальный аккумулятор и зарядное устройство Makita

## **ПРИМЕЧАНИЕ:**

- Некоторые элементы списка могут входить в комплект инструмента в качестве стандартных приспособлений. Они могут отличаться в зависимости от страны.



**Makita Europe N.V.** Jan-Baptist Vinkstraat 2,  
3070 Kortenberg, Belgium

**Makita Corporation** 3-11-8, Sumiyoshi-cho,  
Anjo, Aichi 446-8502 Japan

[www.makita.com](http://www.makita.com)

885300B982  
EN, SV, NO, FI, LV,  
LT, ET, RU  
20170715