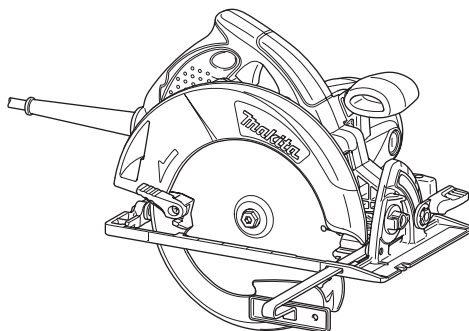




EN	Circular Saw	INSTRUCTION MANUAL	5
SV	Cirkelsåg	BRUKSANVISNING	10
NO	Sirkelsag	BRUKSANVISNING	15
FI	Pyörösaha	KÄYTTÖOHJE	21
LV	Diskzāģis	LIETOŠANAS INSTRUKCIJA	26
LT	Diskinis pjūklas	NAUDOJIMO INSTRUKCIJA	32
ET	Ketassaag	KASUTUSJUHEND	37
RU	Дисковая Пила	РУКОВОДСТВО ПО ЭКСПЛУАТАЦИИ	42

5008MG
5008MGA



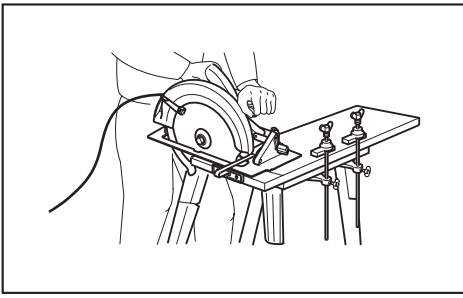


Fig.1

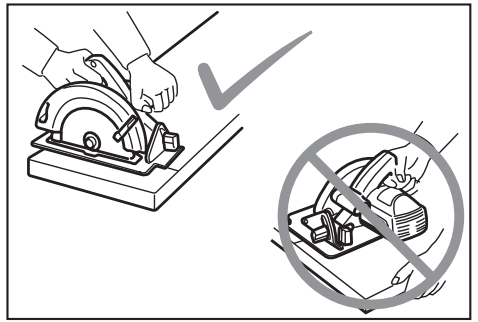


Fig.5

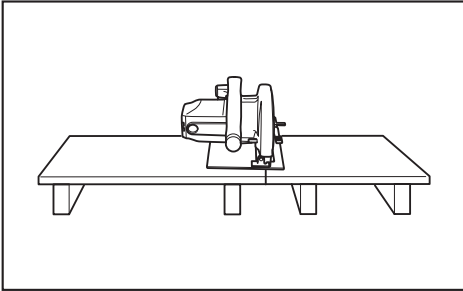


Fig.2

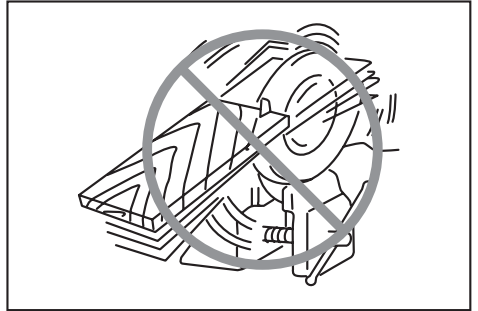


Fig.6

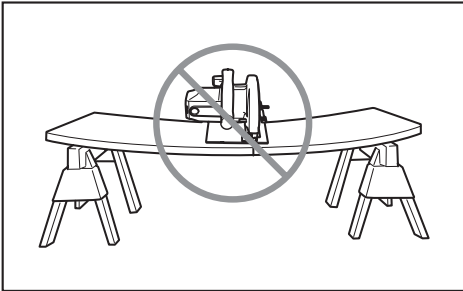


Fig.3

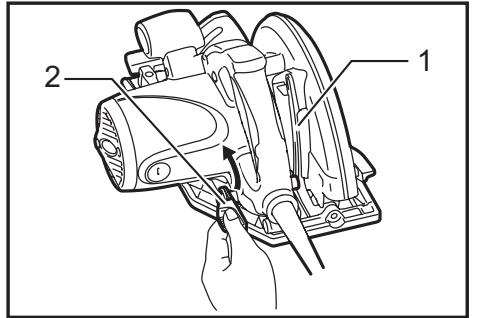


Fig.7

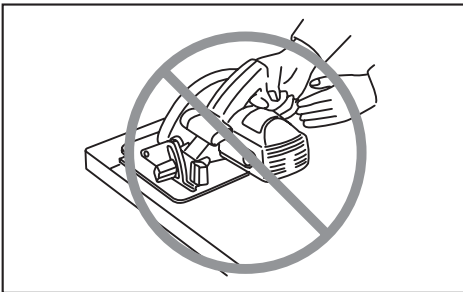


Fig.4

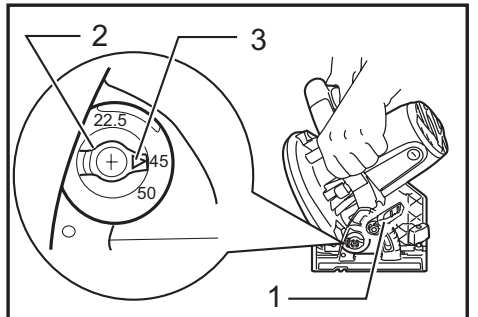


Fig.8

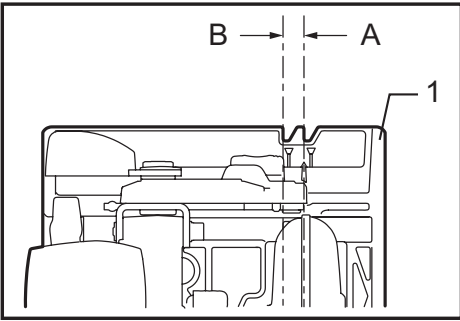


Fig.9

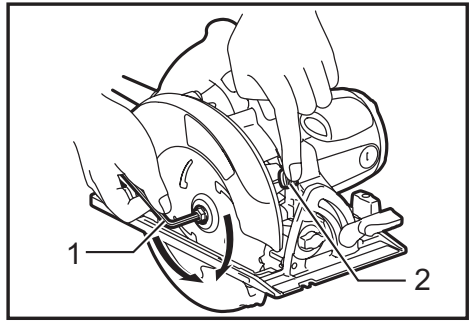


Fig.13

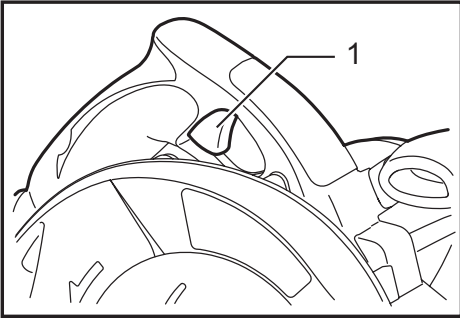


Fig.10

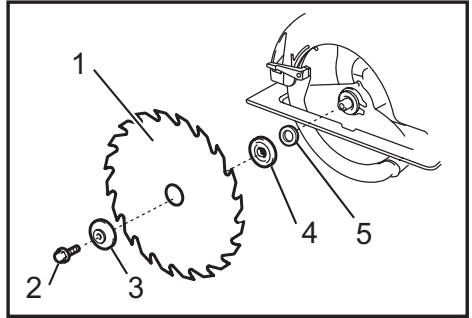


Fig.14

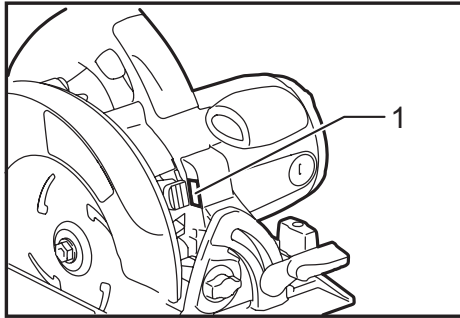


Fig.11

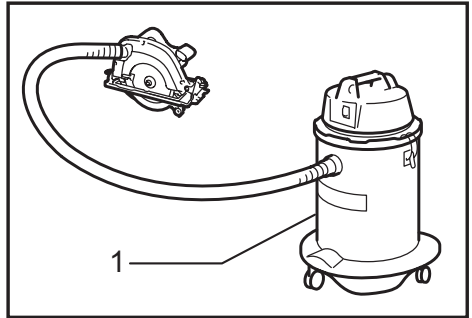


Fig.15

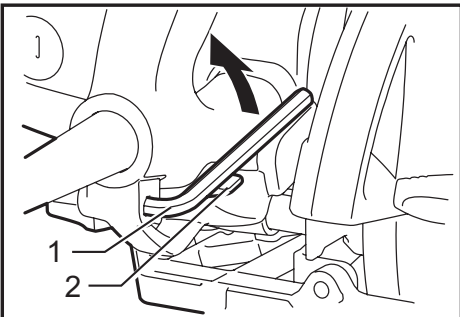


Fig.12

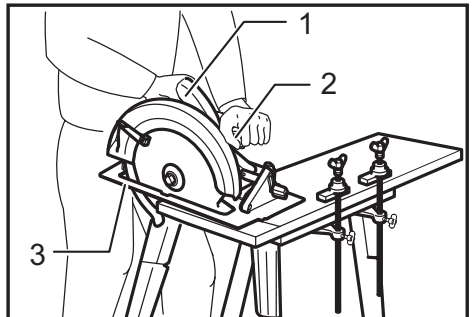


Fig.16

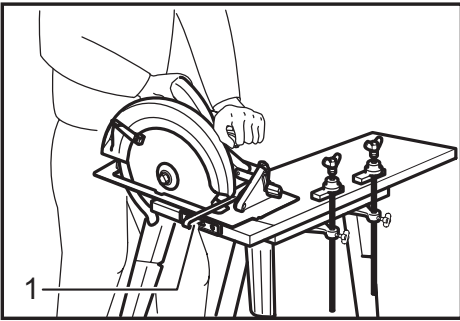


Fig.17

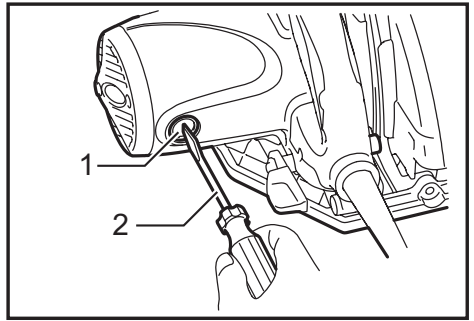


Fig.21

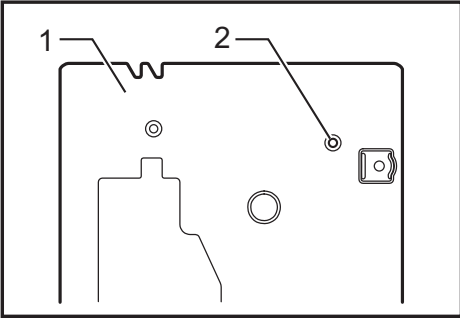


Fig.18

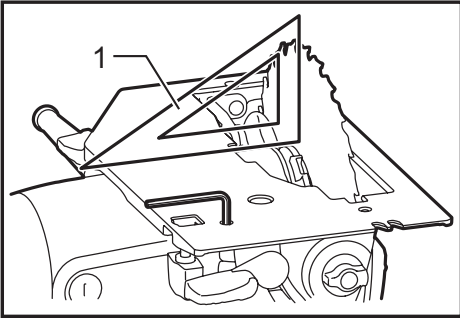


Fig.19

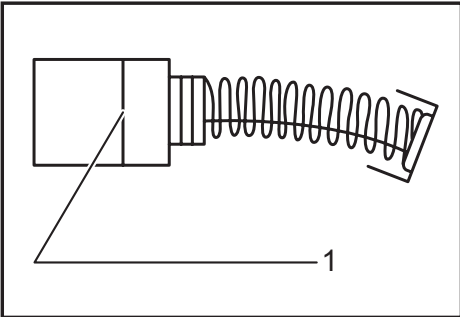


Fig.20

SPECIFICATIONS

Model	5008MG / 5008MGA	
Blade diameter	210 mm	
Max. Cutting depth	at 90°	75.5 mm
	at 45°	57 mm
	at 50°	51.5 mm
No load speed (min ⁻¹)	5,200	
Overall length	332 mm	
Net weight	4.8 kg	
Safety class	□/II	

- Due to our continuing program of research and development, the specifications herein are subject to change without notice.
- Specifications may differ from country to country.
- Weight according to EPTA-Procedure 01/2014

Intended use

The tool is intended for performing lengthways and crossways straight cuts and mitre cuts with angles in wood while in firm contact with the workpiece. With appropriate Makita genuine saw blades, other materials can also be sawed.

Power supply

The tool should be connected only to a power supply of the same voltage as indicated on the nameplate, and can only be operated on single-phase AC supply. They are double-insulated and can, therefore, also be used from sockets without earth wire.

For public low-voltage distribution systems of between 220 V and 250 V.

Switching operations of electric apparatus cause voltage fluctuations. The operation of this device under unfavorable mains conditions can have adverse effects to the operation of other equipment. With a mains impedance equal or less than 0.37 Ohms it can be presumed that there will be no negative effects. The mains socket used for this device must be protected with a fuse or protective circuit breaker having slow tripping characteristics.

Noise

The typical A-weighted noise level determined according to EN62841:

- Sound pressure level (L_{pA}): 95 dB (A)
- Sound power level (L_{WA}): 106 dB (A)
- Uncertainty (K): 3 dB (A)

Wear ear protection

Vibration

The vibration total value (tri-axial vector sum) determined according to EN62841:

- Work mode : cutting wood
- Vibration emission ($a_{h,W}$): 3.0 m/s²
- Uncertainty (K): 1.5 m/s²
- Work mode : cutting metal
- Vibration emission ($a_{h,M}$): 3.0 m/s²
- Uncertainty (K): 1.5 m/s²

NOTE: The declared vibration emission value has been measured in accordance with the standard test method and may be used for comparing one tool with another.

NOTE: The declared vibration emission value may also be used in a preliminary assessment of exposure.

⚠WARNING: The vibration emission during actual use of the power tool can differ from the declared emission value depending on the ways in which the tool is used.

⚠WARNING: Be sure to identify safety measures to protect the operator that are based on an estimation of exposure in the actual conditions of use (taking account of all parts of the operating cycle such as the times when the tool is switched off and when it is running idle in addition to the trigger time).

EC Declaration of Conformity

For European countries only

The EC declaration of conformity is included as Annex A to this instruction manual.

General power tool safety warnings

⚠WARNING: Read all safety warnings, instructions, illustrations and specifications provided with this power tool. Failure to follow all instructions listed below may result in electric shock, fire and/or serious injury.

Save all warnings and instructions for future reference.

The term "power tool" in the warnings refers to your mains-operated (corded) power tool or battery-operated (cordless) power tool.

Circular saw safety warnings

Cutting procedures

1. **⚠ DANGER:** Keep hands away from cutting area and the blade. Keep your second hand on auxiliary handle, or motor housing. If both hands are holding the saw, they cannot be cut by the blade.
2. **Do not reach underneath the workpiece.** The guard cannot protect you from the blade below the workpiece.
3. **Adjust the cutting depth to the thickness of the workpiece.** Less than a full tooth of the blade teeth should be visible below the workpiece.
4. **Never hold the workpiece in your hands or across your leg while cutting. Secure the workpiece to a stable platform.** It is important to support the work properly to minimise body exposure, blade binding, or loss of control.

► Fig.1

5. **Hold the power tool by insulated gripping surfaces, when performing an operation where the cutting tool may contact hidden wiring or its own cord.** Contact with a "live" wire will also make exposed metal parts of the power tool "live" and could give the operator an electric shock.
6. **When ripping, always use a rip fence or straight edge guide.** This improves the accuracy of cut and reduces the chance of blade binding.
7. **Always use blades with correct size and shape (diamond versus round) of arbour holes.** Blades that do not match the mounting hardware of the saw will run off-centre, causing loss of control.
8. **Never use damaged or incorrect blade washers or bolt.** The blade washers and bolt were specially designed for your saw, for optimum performance and safety of operation.

Kickback causes and related warnings

- kickback is a sudden reaction to a pinched, jammed or misaligned saw blade, causing an uncontrolled saw to lift up and out of the workpiece toward the operator;
- when the blade is pinched or jammed tightly by the kerf closing down, the blade stalls and the motor reaction drives the unit rapidly back toward the operator;
- if the blade becomes twisted or misaligned in the cut, the teeth at the back edge of the blade can dig into the top surface of the wood causing the blade to climb out of the kerf and jump back toward the operator.

Kickback is the result of saw misuse and/or incorrect operating procedures or conditions and can be avoided by taking proper precautions as given below.

1. **Maintain a firm grip with both hands on the saw and position your arms to resist kickback forces. Position your body to either side of the blade, but not in line with the blade.** Kickback could cause the saw to jump backwards, but kickback forces can be controlled by the operator, if proper precautions are taken.
2. **When blade is binding, or when interrupting a cut for any reason, release the trigger and hold the saw motionless in the material until the blade comes to a complete stop. Never attempt to remove the saw from the work or pull the saw backward while the blade is in motion or kickback may occur.** Investigate and take corrective actions to eliminate the cause of blade binding.

3. **When restarting a saw in the workpiece, centre the saw blade in the kerf so that the saw teeth are not engaged into the material.** If a saw blade binds, it may walk up or kickback from the workpiece as the saw is restarted.
4. **Support large panels to minimise the risk of blade pinching and kickback.** Large panels tend to sag under their own weight. Supports must be placed under the panel on both sides, near the line of cut and near the edge of the panel.

► Fig.2

► Fig.3

5. **Do not use dull or damaged blades.** Unsharpened or improperly set blades produce narrow kerf causing excessive friction, blade binding and kickback.
6. **Blade depth and bevel adjusting locking levers must be tight and secure before making the cut.** If blade adjustment shifts while cutting, it may cause binding and kickback.
7. **Use extra caution when sawing into existing walls or other blind areas.** The protruding blade may cut objects that can cause kickback.
8. **ALWAYS hold the tool firmly with both hands. NEVER place your hand, leg or any part of your body under the tool base or behind the saw, especially when making cross-cuts.** If kickback occurs, the saw could easily jump backwards over your hand, leading to serious personal injury.

► Fig.4

9. **Never force the saw. Push the saw forward at a speed so that the blade cuts without slowing.** Forcing the saw can cause uneven cuts, loss of accuracy, and possible kickback.

Lower guard function

1. **Check the lower guard for proper closing before each use. Do not operate the saw if the lower guard does not move freely and close instantly. Never clamp or tie the lower guard into the open position.** If the saw is accidentally dropped, the lower guard may be bent. Raise the lower guard with the retracting handle and make sure it moves freely and does not touch the blade or any other part, in all angles and depths of cut.
2. **Check the operation of the lower guard spring. If the guard and the spring are not operating properly, they must be serviced before use.** Lower guard may operate sluggishly due to damaged parts, gummy deposits, or a build-up of debris.
3. **The lower guard may be retracted manually only for special cuts such as "plunge cuts" and "compound cuts". Raise the lower guard by the retracting handle and as soon as the blade enters the material, the lower guard must be released.** For all other sawing, the lower guard should operate automatically.
4. **Always observe that the lower guard is covering the blade before placing the saw down on bench or floor.** An unprotected, coasting blade will cause the saw to walk backwards, cutting whatever is in its path. Be aware of the time it takes for the blade to stop after switch is released.

- To check lower guard, open lower guard by hand, then release and watch guard closure. Also check to see that retracting handle does not touch tool housing. Leaving blade exposed is VERY DANGEROUS and can lead to serious personal injury.

Additional safety warnings

- Use extra caution when cutting damp wood, pressure treated lumber, or wood containing knots. Maintain smooth advancement of tool without decrease in blade speed to avoid overheating the blade tips.
 - Do not attempt to remove cut material when blade is moving. Wait until blade stops before grasping cut material. Blades coast after turn off.
 - Avoid cutting nails. Inspect for and remove all nails from lumber before cutting.
 - Place the wider portion of the saw base on that part of the workpiece which is solidly supported, not on the section that will fall off when the cut is made. If the workpiece is short or small, clamp it down. **DO NOT TRY TO HOLD SHORT PIECES BY HAND!**
- Fig.5
- Before setting the tool down after completing a cut, be sure that the guard has closed and the blade has come to a complete stop.
 - Never attempt to saw with the circular saw held upside down in a vise. This is extremely dangerous and can lead to serious accidents.
- Fig.6
- Some material contains chemicals which may be toxic. Take caution to prevent dust inhalation and skin contact. Follow material supplier safety data.
 - Do not stop the blades by lateral pressure on the saw blade.
 - Do not use any abrasive wheels.
 - Only use the saw blade with the diameter that is marked on the tool or specified in the manual. Use of an incorrectly sized blade may affect the proper guarding of the blade or guard operation which could result in serious personal injury.
 - Keep blade sharp and clean. Gum and wood pitch hardened on blades slows saw and increases potential for kickback. Keep blade clean by first removing it from tool, then cleaning it with gum and pitch remover, hot water or kerosene. Never use gasoline.
 - Wear a dust mask and hearing protection when use the tool.
 - Always use the saw blade intended for cutting the material that you are going to cut.
 - Only use the saw blades that are marked with a speed equal or higher than the speed marked on the tool.
 - (For European countries only)
Always use the blade which conforms to EN847-1.

SAVE THESE INSTRUCTIONS.

⚠ WARNING: DO NOT let comfort or familiarity with product (gained from repeated use) replace strict adherence to safety rules for the subject product. MISUSE or failure to follow the safety rules stated in this instruction manual may cause serious personal injury.

FUNCTIONAL DESCRIPTION

⚠ CAUTION:

- Always be sure that the tool is switched off and unplugged before adjusting or checking function on the tool.

Adjusting depth of cut

► Fig.7: 1. Depth guide 2. Lever

⚠ CAUTION:

- After adjusting the depth of cut, always tighten the lever securely.

Loosen the lever on the depth guide and move the base up or down. At the desired depth of cut, secure the base by tightening the lever.

For cleaner, safer cuts, set cut depth so that no more than one blade tooth projects below workpiece. Using proper cut depth helps to reduce potential for dangerous KICKBACKS which can cause personal injury.

Bevel cutting

► Fig.8: 1. Lever 2. Positive stopper 3. Arrow on positive stopper

Positive stopper

Turn the positive stopper so that the arrow on it points one of three positions (22.5°, 45°, 50°). Then, tilt the tool base until it stops and secure the base with the lever. At this time, the same angle as the one that the arrow points is obtained.

Setting bevel angle

Loosen the lever and tentatively set the tool base at the 0° bevel angle, then tighten the lever securely.

Turn the positive stopper so that the arrow on it points one of three positions (22.5°, 45°, 50°) that is equal to or greater than the desired bevel angle.

Loosen the lever again and then tilt and secure the tool base at the desired angle securely.

NOTE:

- When changing the positive stopper's position, loosening the lever and tilting the bevel angle to less than the desired stopper position number allows to change it.
- When the arrow on the positive stopper points 22.5, the bevel angle can be adjusted 0 - 22.5°; when the arrow points 45, it can be adjusted 0 - 45°; when the arrow points 50, it can be adjusted 0 - 50°.

Sighting

► Fig.9: 1. Base

For straight cuts, align the A position on the front of the base with your cutting line. For 45° bevel cuts, align the B position with it.

Switch action

► **Fig.10:** 1. Switch trigger

⚠ CAUTION:

- Before plugging in the tool, always check to see that the switch trigger actuates properly and returns to the "OFF" position when released.

To start the tool, simply pull the switch trigger. Release the switch trigger to stop.

Lighting the lamp

► **Fig.11:** 1. Lamp

⚠ CAUTION:

- Do not apply impact to the lamp, which may cause damage or shorted service time to it.
- Do not look in the light or see the source of light directly.

The lamp lights up when the tool is plugged. The lamp keeps on lighting until the tool is unplugged. If the lamp does not light up, the mains cord or the lamp may be defective. The lamp is lit but the tool does not start even if the tool is switched on, the carbon brushes may be worn out, or the motor or the ON/OFF switch may be defective.

NOTE:

- Use a dry cloth to wipe the dirt off the lens of lamp. Be careful not to scratch the lens of lamp, or it may lower the illumination.

ASSEMBLY

⚠ CAUTION:

- Always be sure that the tool is switched off and unplugged before carrying out any work on the tool.

Hex wrench storage

► **Fig.12:** 1. Hex wrench 2. Protrusion

Hex wrench is stored on the tool. To remove hex wrench, rotate it toward yourself and pull it out. To install hex wrench, place it on the handle and turn it until it comes into contact with the protrusion on the handle.

Removing or installing saw blade

► **Fig.13:** 1. Hex wrench 2. Shaft lock

⚠ CAUTION:

- Be sure the blade is installed with teeth pointing up at the front of the tool.
- Use only the Makita wrench to install or remove the blade.

To remove the blade, press the shaft lock so that the blade cannot revolve and use the hex wrench to loosen the hex bolt counterclockwise. Then remove the hex bolt, outer flange and blade.

To install the blade, follow the removal procedure in reverse. **BE SURE TO TIGHTEN THE HEX BOLT CLOCKWISE SECURELY.**

► **Fig.14:** 1. Saw blade 2. Hex bolt 3. Outer flange 4. Inner flange 5. Ring

When changing blade, make sure to also clean the upper and lower blade guards of accumulated sawdust as discussed in the Maintenance section. Such efforts do not replace the need to check lower guard operation before each use.

Connecting a vacuum cleaner

Optional accessory

► **Fig.15:** 1. Vacuum cleaner

When you wish to perform clean cutting operation, connect a Makita vacuum cleaner to your tool. Install the joint on the tool using the screws. Then connect a hose of the vacuum cleaner to the joint as shown in the figure.

OPERATION

⚠ CAUTION:

- Be sure to move the tool forward in a straight line gently. Forcing or twisting the tool will result in overheating the motor and dangerous kickback, possibly causing severe injury.

► **Fig.16:** 1. Rear handle 2. Front grip 3. Base

Always use a front grip and rear handle and firmly hold the tool by both the front grip and rear handle during operations. The tool is provided with both the front grip and rear handle. If both hands are holding saw, they cannot be cut by the blade. Set the base on the workpiece to be cut without the blade making any contact. Then turn the tool on and wait until the blade attains full speed. Now simply move the tool forward over the workpiece surface, keeping it flat and advancing smoothly until the sawing is completed.

To get clean cuts, keep your sawing line straight and your speed of advance uniform. If the cut fails to properly follow your intended cut line, do not attempt to turn or force the tool back to the cut line. Doing so may bind the blade and lead to dangerous kickback and possible serious injury. Release switch, wait for blade to stop and then withdraw tool. Realign tool on new cut line, and start cut again. Attempt to avoid positioning which exposes operator to chips and wood dust being ejected from saw. Use eye protection to help avoid injury.

Rip fence (guide rule) (Accessory)

► **Fig.17:** 1. Rip fence (Guide rule)

The handy rip fence allows you to do extra-accurate straight cuts. Simply slide the rip fence up snugly against the side of the workpiece and secure it in position with the screw on the front of the base. It also makes repeated cuts of uniform width possible.

MAINTENANCE

⚠ CAUTION:

- Always be sure that the tool is switched off and unplugged before attempting to perform inspection or maintenance.
- **Clean out the upper and lower guards to ensure there is no accumulated sawdust which may impede the operation of the lower guarding system.** A dirty guarding system may limit the proper operation which could result in serious personal injury. The most effective way to accomplish this cleaning is with compressed air. **If the dust is being blown out of the guards be sure the proper eye and breathing protection is used.**
- Never use gasoline, benzene, thinner, alcohol or the like. Discoloration, deformation or cracks may result.

Adjusting for accuracy of 90° cut (vertical cut)

This adjustment has been made at the factory. But if it is off, adjust the adjusting screw with a hex wrench while squaring the blade with the base using a triangular rule, try square, etc.

► **Fig.18:** 1. Base 2. Adjusting screw

► **Fig.19:** 1. Triangular rule

Replacing carbon brushes

► **Fig.20:** 1. Limit mark

Remove and check the carbon brushes regularly. Replace when they wear down to the limit mark. Keep the carbon brushes clean and free to slip in the holders. Both carbon brushes should be replaced at the same time. Use only identical carbon brushes.

Use a screwdriver to remove the brush holder caps. Take out the worn carbon brushes, insert the new ones and secure the brush holder caps.

► **Fig.21:** 1. Brush holder cap 2. Screwdriver

To maintain product SAFETY and RELIABILITY, repairs, any other maintenance or adjustment should be performed by Makita Authorized Service Centers, always using Makita replacement parts.

For model 5008MGA only

After replacing brushes, plug in the tool and break in brushes by running tool with no load for about 10 minutes. Then check the tool while running and electric brake operation when releasing the switch trigger. If electric brake is not working well, ask your local Makita service center for repair.

OPTIONAL ACCESSORIES

⚠ CAUTION:

- These accessories or attachments are recommended for use with your Makita tool specified in this manual. The use of any other accessories or attachments might present a risk of injury to persons. Only use accessory or attachment for its stated purpose.

If you need any assistance for more details regarding these accessories, ask your local Makita Service Center.

- Steel & Carbide-tipped saw blades

Combination	General purpose blade for fast and smooth rip, crosscuts and miters.
Pressure treated/ Wet lumber	Designed for fast cutting of pressure treated and wet lumber.
Fine cross cuts	For sand-free cuts cleanly against the grain.

- Rip fence (Guide rule)
- Hex wrench
- Dust nozzle (joint)

NOTE:

- Some items in the list may be included in the tool package as standard accessories. They may differ from country to country.

SPECIFIKATIONER

Modell	5008MG / 5008MGA		
Bladdiameter	210 mm		
Max. fräsdjup	vid 90°	75,5 mm	
	vid 45°	57 mm	
	vid 50°	51,5 mm	
Obelastat varvtal (min ⁻¹)	5 200		
Längd	332 mm		
Vikt	4,8 kg		
Säkerhetsklass	□/II		

- På grund av vårt pågående program för forskning och utveckling kan dessa specifikationer ändras utan föregående meddelande.
- Specifikationer kan variera mellan olika länder.
- Vikt enligt EPTA-procedur 01/2014

Avsedd användning

Verktøget är avsett för att utföra långsgående och tvärgående raka skär och för geringssågning i trä i god kontakt med arbetsstycket. Med lämpliga sågblad från Makita går det även att såga i andra material.

Strömförsörjning

Maskinen får endast anslutas till elnät med samma spänning som anges på typplåten och med enfasis växelström. De är dubbelisolerade och får därför också anslutas i ojordade vägguttag.

Avsedd för elnät med 220 - 250 V.

Att starta och stänga av elektriska apparater medför spänningsfluktuationer. Om denna maskin används under ogynnsamma förhållanden kan funktioner hos annan utrustning påverkas negativt. I elnät med ett motstånd på högst 0,37 Ohm är det rimligt att anta att negativa effekter inte förekommer. Nätuttaget för den här enheten måste vara försedd med trög säkring eller skyddsbytare.

Buller

Typiska A-vägda bullernivån är mätt enligt EN62841:

- Ljudtrycksnivå (L_{pA}): 95 dB (A)
- Ljudeffektnivå (L_{WA}): 106 dB (A)
- Måttolerans (K): 3 dB (A)

Använd hörselskydd

Vibration

Vibrationens totalvärde (tre-axlars vektorsumma) mätt enligt EN62841:

- Arbetsläge: sågning i trä
- Vibrationsemission ($a_{n,w}$): 3,0 m/s²
- Måttolerans (K): 1,5 m/s²
- Arbetsläge: metallsågning
- Vibrationsemission ($a_{n,M}$): 3,0 m/s²
- Måttolerans (K): 1,5 m/s²

OBS: Det deklarerade vibrationsemissionsvärdet har uppmätts i enlighet med standardtestmetoden och kan användas för jämförandet av en maskin med en annan.

OBS: Det deklarerade vibrationsemissionsvärdet kan också användas i preliminär bedömning av exponering för vibration.

⚠️ VARNING: Vibrationsemissionen under faktisk användning av maskinen kan skilja sig från det deklarerade emissionsvärdet, beroende på hur maskinen används.

⚠️ VARNING: Se till att hitta säkerhetsåtgärder som kan skydda användaren och som grundar sig på en uppskattning av exponering i verkligheten (ta med i beräkningen alla delar av användandet såsom antal gånger maskinen är avstängd och när den körs på tomgång samt då startomkopplaren används).

EG-försäkring om överensstämmelse

Gäller endast inom EU

EG-försäkring om överensstämmelse inkluderas som bilaga A till denna bruksanvisning.

Allmänna säkerhetsvarningar för maskiner

⚠️ VARNING: Läs alla säkerhetsvarningar, anvisningar, illustrationer och specifikationer som medföljer det här maskinen. Underlåtenhet att följa instruktionerna kan leda till elstöt, brand och/eller allvarliga personskador.

Spåra alla varningar och instruktioner för framtida referens.

Termen "maskin" som anges i varningarna hänvisar till din eldrivna maskin (sladdanslutning) eller batteridrivna maskin (sladdlös).

Säkerhetsvarningar för cirkelsåg

Sågningsförfarande

1. **⚠️ FARA:** Håll alltid händerna borta från sågningsområdet. Håll den andra handen på det extra handtaget eller motorhuset. Om du håller i sågen med båda händerna kan de inte skadas av klingan.

2. **Sträck dig inte in under arbetsstycket.** Skyddet har ingen skyddsfunktion under arbetsstycket.
3. **Ställ in sågdjupet efter arbetsstyckets tjocklek.** Mindre än en hel sågtand får synas under arbetsstycket.
4. **Håll aldrig arbetsstycket i händerna eller i knäet vid kapning. Fäst arbetsstycket på ett stabilt underlag.** Det är viktigt att arbetsstycket stöds ordentligt för att minimera risken för skador, undvika att klingan fastnar eller att något oväntat inträffar.
 - Fig.1
5. **Håll maskinen i de isolerade handtagen om det finns risk för att skärverktyget kan komma i kontakt med en dold elkabel eller sin egen kabel.** Om skärverktyget kommer i kontakt med en strömförande ledning blir maskinens metall-delar strömförande och kan ge användaren en elektrisk stöt.
6. **Vid klyvsågning ska alltid ett parallell- eller sidoanslag användas.** Detta förbättrar noggrannheten vid sågningen och minskar risken för att klingan nyper fast.
7. **Använd alltid en sågklinga med rätt storlek och form (diamant respektive rund) på styrhålen.** Klingor som inte passar monteringsfästet i sågen löper ojämnt, vilket ger en okontrollerad sågning.
8. **Använd aldrig en klingbricka eller bult som på något sätt är felaktig eller skadad.** Klingbrickorna och bulten är specialtillverkade till sågen för optimal prestanda och säkerhet.
4. **Stötta långa arbetsstycken för att minimera risken för att klingan nyper fast och ger bakåtkast.** Långa arbetsstycken böjs av sin egen tyngd. Placera stöd på båda sidorna, både nära såglinjen och vid kanten på arbetsstycket.
 - Fig.2
 - Fig.3
5. **Använd aldrig slöa eller skadade klingor.** En oskarp eller felinställd klinga ger ett trångt sågskär som orsakar onödig friktion och klingan kan lättare fastna och ge bakåtkast.
6. **Klingdjup och nivåinställda låsspakar måste vara ådragna och låsta innan sågning.** Om klingans justering skiftar under sågning kan det orsaka att den nyper fast och ger bakåtkast.
7. **Var extra uppmärksam vid sågning i väggar eller andra dolda utrymmen.** Den utskjutande klingan kan säga av föremål som kan orsaka bakåtkast.
8. **Håll ALLTID maskinen stadigt med båda händerna. Placera ALDRIG handen, benet eller någon annan kroppsdel under bottenplattan eller bakom sågen, i synnerhet vid tvärsågning.** Vid eventuella bakåtkast kan sågen lätt kastas bakåt mot handen och orsaka allvarliga skador.
 - Fig.4
9. **Forcera aldrig sågen. Skjut sågen framåt en sågningshastighet som låter klingan säga utan att tappa fart.** En såg som forceras ger ojämnt skär, är svårare att styra och ger risk för bakåtkast.

Orsaker till bakåtkast och relaterade varningar

- Bakåtkast är en plötslig reaktion när ett sågblad kläms, fastnar eller är felinriktat och innebär att sågen kastas upp ur arbetsstycket.
- Om klingan kläms eller fastnar och sågskäret därmed stoppas, driver motorkraften sågen mot användaren i hög hastighet.
- Om klingan böjs eller blir felriktad i sågskäret kan sågtänderna på klingans bakkant gräva sig in på ytan av arbetsstycket, driva klingan ur skäret och kasta sågen bakåt mot användaren.

Bakåtkast beror på ovarsamhet och/eller felaktiga arbetsrutiner och kan undvikas genom att vidta nedanstående förebyggande åtgärder.

1. **Håll sågen stadigt med båda händerna och placera armarna så att de kan ta emot kraften från ett bakåtkast. Stå vid sidan av klingan och aldrig i dess linje.** Vid ett bakåtkast kastas sågen bakåt, men kraften i bakåtkastet kan kontrolleras av användaren om rätt försiktighetsåtgärder vidtas.
2. **Om klingan kläms eller av annan orsak hindras i skäret ska du släppa avtryckaren och hålla sågen stilla i skäret tills klingan har stannat. För att undvika bakåtkast ska du aldrig försöka ta bort sågen från arbetsstycket eller dra sågen bakåt när klingan är i rörelse.** Undersök och åtgärda orsaken till att klingan fastnar.
3. **När sågen startas igen i arbetsstycket ska du centrera sågklingan i skäret och kontrollera att ingen sågtand är i ingrepp i materialet.** Om sågbladet sitter fast i materialet kan sågen klättra upp eller medföra bakåtkast när sågen startas på nytt.
5. **Kontrollera att det nedre skyddet är stängt före varje sågning. Använd inte sågen om det nedre skyddet kärvar och inte stängs omedelbart. Kila aldrig fast eller bind det nedre skyddet i öppet läge.** Om du tappar sågen kan det nedre skyddet böjas. Høj det nedre skyddet med handtaget och se till att det rör sig fritt och inte vidrör klingan eller någon annan del under någon sågvinkel eller något sågdjup.
2. **Kontrollera funktionen hos det nedre skyddets fjäder. Om skyddet eller fjädern inte fungerar på avsett vis ska sågen underhållas innan den används.** Det nedre skyddet kan fungera ojämnt på grund av skadade delar, gummiavlagringar eller andra ansamlingar.
3. **Det nedre skyddet får endast dras tillbaka manuellt inför specialsågningar som "insticks-sågning" och "geringsågning".** Høj det nedre skyddet med hjälp av handtaget och släpp det nedre skyddet så snart klingan går in i materialet. Under alla andra typer av sågning ska det nedre skyddets automatiska funktion användas.
4. **Kontrollera alltid att det nedre skyddet täcker klingan innan du ställer ned sågen på ett arbetsbordet eller på golvet.** En oskyddad klinga som roterar medför att sågen vandrar bakåt och sågar i allt som kommer i dess väg. Tänk på att det tar en stund innan klingan stannar efter att du har släppt avtryckaren.
5. **Kontrollera det nedre skyddet genom att öppna det manuellt och sedan släppa det och observera skyddets stängning. Kontrollera även att handtaget inte vidrör verktygshuset.** Att lämna klingan oskyddad är MYCKET FARLIGT och kan leda till allvarliga personskador.

Ytterligare säkerhetsvarningar

1. **Var extra försiktig vid sågning i fuktigt, tryckbehandlat och kvistigt trä.** Bibehåll mjuk rörelse framåt med maskinen, utan att klingans hastighet minskar, för att undvika överhettning av klingspetsarna.
2. **Ta aldrig bort sågat material medan klingan rör sig.** Vänta tills klingan har stannat innan du tar bort det sågade materialet. Klingan stannar inte omedelbart när maskinen stängs av.
3. **Undvik att säga i spik.** Kontrollera arbetsstycket och ta bort alla spikar innan du börjar såga.
4. **Placera större delen av sågbordet på den del av arbetsstycket som har ett fast stöd och inte på den del som ska sågas bort.** Kläm fast arbetsstycket som är små eller korta. **FÖRSÖK INTE ATT HÅLLA SMÅ ARBETSSTYCKEN I HANDE!**

► Fig.5

5. **Kontrollera att skyddet är stängt och att klingan har stannat innan du ställer ifrån dig sågen.**
6. **Använd aldrig cirkelsågen upp-och-nedvänd i ett skruvstöd. Det är extremt farligt och kan leda till allvarliga olyckor.**

► Fig.6

7. **Vissa material kan innehålla giftiga kemikalier. Se till att du inte andas in damm eller får det på huden.** Följ anvisningarna i leverantörens materialsäkerhetsblad.
8. **Försök inte stoppa klingorna genom att trycka på dem.**
9. **Använd inte några slipskivor.**
10. **Använd endast sågklingor med den diameter som finns markerad på maskinen eller angiven i handboken.** Om en klinga med fel storlek används kan det påverka skyddet för klingan eller skyddets funktion vilket kan resultera i allvarlig personskada.
11. **Håll klingan vass och ren.** Gummi- och trärester på klingan hindrar sågningen och ökar risken för bakåtkast. Ta bort klingan från sågen och gör rent den med ett borttagningsmedel för gummi- och trärester, varmt vatten och fotogen. Använd aldrig bensin.
12. **Använd alltid andningsmask och hörselskydd när du arbetar med verktyget.**
13. **Använd alltid ett sågblad som är avsett för att skära i det avsedda materialet.**
14. **Använd endast sågblad som är märkta med ett maximalt varvtal som är lika med eller högre än varvtalet som är märkt på maskinen.**
15. **(endast för länder i Europa)** Använd alltid blad som överensstämmer med EN847-1.

SPARA DESSA ANVISNINGAR.

⚠ VARNING: GLÖM INTE att också fortsättningsvis strikt följa säkerhetsanvisningarna för maskinen även efter att du blivit van att använda den. Vid FELAKTIG HANTERING av maskinen eller om inte säkerhetsanvisningarna i denna bruksanvisning följs kan följden bli allvarliga personskador.

FUNKTIONSBESKRIVNING

⚠ FÖRSIKTIGT:

- Se alltid till att maskinen är avstängd och nätsladden urdragen innan du justerar eller funktionskontrollerar maskinen.

Inställning av hyvlingsdjup

- Fig.7: 1. Djupanslag 2. Spak

⚠ FÖRSIKTIGT:

- Dra alltid åt spärren ordentligt efter att skärdjupet justerats.

Lossa spärren på djupanslaget och flytta sågbordet uppåt eller nedåt. Läs bordet med spärren när du har ställt in skärdjupet.

Bästa sågresultat och säkraste sågning erhålls om sågdjupet ställs in så att endast en sågtand syns på arbetsstyckets undersida. Rätt inställning av sågdjupet bidrar till att minska risken för BAKÅTKAST som kan medföra allvarliga personskador.

Vinkelsågning

- Fig.8: 1. Spak 2. Fast stopp 3. Pil på lägesstoppet

Lägesstopp

Vrid lägesstoppet så att dess pil pekar på ett av de tre lägena (22,5°, 45°, 50°). Luta sedan bottenplattan tills den stoppar och fäst den med spärren. Nu har den samma vinkel som den som pilen pekar på.

Inställning av vinkeln vid vinkelsågning

Lossa spärren och ställ provisoriskt i bottenplattan på 0° vinkel för vinkelsågning. Dra sedan åt spärren ordentligt.

Vrid lägesstoppet så att dess pil pekar på ett av de tre lägena (22,5°, 45°, 50°) som motsvarar eller är större än den önskade vinkeln.

Lossa på spärren igen, luta och fäst sedan bottenplattan ordentligt vid önskad vinkel.

OBS:

- Ändra lägesstoppets position genom att lossa spärren och luta bottenplattan till en lägre siffra på stopposition än den önskade.
- När pilen på lägesstoppet indikerar 22,5 kan vinkeln för vinkelsågning justeras 0 - 22,5°. När pilen indikerar 45 kan den justeras 0 - 45°. När pilen indikerar 50 kan den justeras 0 - 50°.

Inriktning

- Fig.9: 1. Bottenplatta

För raka skär används position A framtill på sågbordet för att rika in såglinjen. För 45° vinkelsågning används position B.

Avtryckarens funktion

► **Fig.10:** 1. Avtryckarknapp

⚠ FÖRSIKTIGT:

- Innan du ansluter maskinen till elnätet ska du kontrollera att avtryckaren fungerar och återgår till läget "OFF" när du släpper den.

Tryck in avtryckaren för att starta maskinen. Släpp avtryckaren för att stoppa maskinen.

Tända lampan

► **Fig.11:** 1. Lampa

⚠ FÖRSIKTIGT:

- Akta lampan för stötar då detta kan skada den eller förkorta dess livslängd.
- Titta inte in i ljuset eller direkt i ljuskällan.

Lampan tänds när maskinen är ansluten till elnätet. Lampan fortsätter att lysa tills maskinens kopplas från elnätet.

Om lampan inte tänds, kan det vara fel på nätkabeln eller så kan lampan vara trasig. Om lampan lyser men maskinen inte startar även om den slagits på, kan kolborstarna vara utslitna. Det kan också vara fel på motorn eller på ON-/OFF-knappen.

OBS:

- Använd en torr trasa för att torka bort smuts från lampglaset. Var försiktig så att inte lampglaset repas eftersom ljuset då kan bli svagare.

MONTERING

⚠ FÖRSIKTIGT:

- Se alltid till att maskinen är avstängd och nätsladden urdragen innan maskinen repareras.

Förvaring av insexnyckel

► **Fig.12:** 1. Insexnyckel 2. Tapp

En insexnyckel förvaras på maskinen. Ta bort insexnyckeln genom att vrida den mot dig och dra ut den. Montera insexnyckeln genom att placera den på handtaget och vrid den tills den kommer i kontakt med den utskjutande delen på handtaget.

Demontering eller montering av sågklinga

► **Fig.13:** 1. Insexnyckel 2. Spindellås

⚠ FÖRSIKTIGT:

- Montera klingan med sågtänderna uppåt i maskinens framkant.
- Använd endast medföljande insexnyckel från Makita för att montera eller demontera sågklingan.

Ta bort klingan genom att trycka på spindellåset så att klingan inte kan rotera och lossa insexbulten moturs med insexnyckeln. Ta sedan bort insexbulten, den yttre flänsen och klingan.

Montera klingan i omvänd ordning. SE TILL ATT DRA AT INSEXBULTEN MEDURS ORDENTLIGT.

► **Fig.14:** 1. Sågblad 2. Sexkantskruv 3. Yttre fläns 4. Innerfläns 5. Ring

När du byter blad, se även till att rengöra de övre och nedre klingskydden från sågdamm så som beskrivs i avsnittet om underhåll. Detta ersätter inte det nödvändiga i att kontrollera att det nedre skyddet fungerar som det ska före varje användning.

Anslutning av en dammsugare

Valfria tillbehör

► **Fig.15:** 1. Dammsugare

Anslut en dammsugare från Makita när du vill ha rent under sågningen. Skruva fast anslutningen på maskinen. Anslut sedan slangen till dammsugaren på det sätt som visas i figuren.

ANVÄNDNING

⚠ FÖRSIKTIGT:

- Se till att maskinen förs mjukt längs en rät linje. Om du tvingar eller vrider sågen överhettas motorn och det finns risk för kraftiga bakåtkast som kan medföra allvarliga skador.

► **Fig.16:** 1. Bakre handtag 2. Främre handtag 3. Bottenplatta

Använd alltid ett främre och ett bakre handtag och håll maskinen stadigt med både det främre och det bakre handtaget vid drift. Maskinen är försedd med handtag både fram och bak. Om du håller med båda händerna i sågen kan de inte skadas av klingan. Ställ ned sågbordet på arbetsstycket utan att klingan kommer i kontakt. Starta maskinen och vänta tills klingan uppnått full hastighet. För nu maskinen framåt över arbetsstyckets yta. Håll maskinen plant mot ytan och fortsatt framåt tills sågningen är klar.

För att få en renare sågning skall du hålla rak såglinje och jämn hastighet framåt. Försök inte vrida eller tvinga maskinen tillbaka i såglinjen om den avsedda såglinjen inte kan följas. I så fall kan klingan fastna och farliga bakåtkast inträffa med risk för allvarliga skador som följd. Släpp avtryckaren, vänta tills klingan har stannat och ta sedan bort maskinen. Rikta in maskinen längs en ny såglinje och starta sågningen på nytt. Undvik att stå så att du utsätts för spånar och damm som kastas ut från sågen. Använd skyddsglasögon för att undvika skador.

Parallellanslag (anslagsskena) (Tillbehör)

► **Fig.17:** 1. Parallellanslag (anslagsskena)

Ett praktiskt parallellanslag underlättar raka skär. Placera parallellanslaget dikt an mot arbetsstyckets sida och lås fast det med skruven framtill på sågbordet. Parallellanslaget kan också användas när du vill såga flera arbetsstycken med samma bredd.

UNDERHÅLL

⚠ FÖRSIKTIGT:

- Se alltid till att maskinen är avstängd och nätka-beln urdragen innan inspektion eller underhåll utförs.
- **Rengör det övre och undre skyddet för att säkerställa att inget sågblad har samlats som kan hindra användningen av det nedre skyddssystemet.** Ett smutsigt skyddssystem kan begränsa korrekt användning vilket kan resultera i allvarlig personskada. Tryckluft är mest effektivt vid denna rengöring. **Om du blåser ut damm från skyddet ska du se till att ha ordentligt skydd för ögonen och ordentligt andningskydd.**
- Använd inte bensin, thinner, alkohol eller liknande. Missfärgning, deformation eller sprickor kan uppstå.

Inställning för exakt 90° sågning (vertikal sågning)

Denna inställning har gjorts på fabriken. Om inställningarna har ändrats justerar du inställningsskruven med en insexnyckel samtidigt som du sätter sågbladet i rätt vinkel med sågbordet med hjälp av en vinkelhake, vinkelinjal etc.

► **Fig.18:** 1. Bottenplatta 2. Justeringskruv

► **Fig.19:** 1. Vinkelhake

Byte av kolborstar

► **Fig.20:** 1. Slitmarkering

Ta bort och kontrollera kolborstarna regelbundet. Byt dem när de är slitna ner till slitmarkeringen. Håll kolborstarna rena så att de lätt kan glida in i hållarna. Båda kolborstarna ska bytas ut samtidigt. Använd endast identiska kolborstar.

Använd en skruvmejsel för att ta bort locken till kolborstarna. Ta ur de utslitna kolborstarna, montera nya och montera locken.

► **Fig.21:** 1. Kolhållarlock 2. Skruvmejsel

För att upprätthålla produktens SÄKERHET och TILLFÖRLITLIGHET bör allt underhålls- och justeringsarbete utföras av ett auktoriserat Makita servicecenter och med reservdelar från Makita.

Endast för modell 5008MGA

Efter att kolborstarna har bytts ut anslut maskinen och kolborstarna körs in genom att maskinen körs utan belastning under cirka 10 minuter. Kontrollera sedan maskinen när den körs och den elektroniska bromsfunktionen när avtryckaren släpps. Om den elektroniska bromsen inte fungerar bra kontakta du ditt lokala Makita servicecenter och ber om att få den reparerad.

VALFRIA TILLBEHÖR

⚠ FÖRSIKTIGT:

- Dessa tillbehör och tillsatser rekommenderas för användning tillsammans med den Makita-maskin som denna bruksanvisning avser. Om andra tillbehör eller tillsatser används kan det uppstå risk för personskador. Använd endast tillbehören eller tillsatserna för de syften de är avsedda för.

Kontakta ditt lokala Makita servicecenter om du behöver ytterligare information om dessa tillbehör.

- HM-pläterat sågblad av stål

Kombination	Klinga för allmänt bruk, för snabb och smidig klyvning, kapning och geringssågning.
Tryckbehandlat/ fuktigt virke	Utformad för snabb sågning av tryckbehandlat och fuktigt virke.
Fina tvärsnitt	Sandfria, rena tvärsnitt tvärs med fibren/strukturen.

- Parallellanslag (anslagsskena)
- Insexnyckel
- Damsugaranslutning (koppling)

OBS:

- Några av tillbehören i listan kan vara inkluderade i maskinpaketet som standardtillbehör. De kan variera mellan olika länder.

TEKNISKE DATA

Modell	5008MG / 5008MGA	
Bladdiameter	210 mm	
Maks. skjæredybde	ved 90°	75,5 mm
	ved 45°	57 mm
	ved 50°	51,5 mm
Hastighet uten belastning (min ⁻¹)	5 200	
Total lengde	332 mm	
Nettovekt	4,8 kg	
Sikkerhetsklasse	□/II	

- På grunn av vårt kontinuerlige forsknings- og utviklingsprogram kan spesifikasjonene som oppgis i dette dokumentet endres uten varsel.
- Spesifikasjonene kan variere fra land til land.
- Vekt i henhold til EPTA-prosedyre 01/2014

Beregnet bruk

Verktøyet er beregnet på saging av langsgående og tversgående rette snitt og gjæringsnitt med vinkler i tre, mens det er i tett kontakt med arbeidsemnet. Med riktig, originalt sagblad fra Makita kan også andre materialer sages.

Strømforsyning

Maskinen må bare kobles til en strømkilde med samme spenning som vist på typeskiltet, og kan bare brukes med enfase-vekselstrømforsyning. Den er dobbelt verneisoleret og kan derfor også brukes fra kontakter uten jording.

For offentlige lavspenningsnett på mellom 220 V og 250 V.

Inn- og utkobling av elektriske apparater forårsaker spenningsvariasjoner. Bruken av dette apparatet under uheldige forhold i strømmettet kan ha negative virkninger på bruken av annet utstyr. Når strømnettimpedansen er lik eller lavere enn 0,37 ohm, er det grunn til å anta at ingen negative virkninger vil oppstå. Nettuttaket som brukes til dette apparatet må være beskyttet av en treg sikring eller et treg overlastvern.

Støy

Typisk A-vektet lydtrykknivå er bestemt i henhold til EN62841:

- Lydtrykknivå (L_{pA}): 95 dB (A)
- Lydteffektnivå (L_{WA}): 106 dB (A)
- Usikkerhet (K): 3 dB (A)

Bruk hørselvern

Vibrasjon

Den totale vibrasjonsverdien (triaksial vektorsum) bestemt i henhold til EN62841:

- Arbeidsmåte: Saging av tre
- Genererte vibrasjoner ($a_{h,w}$): 3,0 m/s²
- Usikkerhet (K): 1,5 m/s²
- Arbeidsmåte: kutte metall
- Genererte vibrasjoner ($a_{h,M}$): 3,0 m/s²
- Usikkerhet (K): 1,5 m/s²

MERK: Den angitte verdien for de genererte vibrasjonene er blitt målt i samsvar med standardtestmetoden og kan brukes til å sammenlikne et verktøy med et annet.

MERK: Den angitte verdien for de genererte vibrasjonene kan også brukes til en foreløpig vurdering av eksponeringen.

⚠ADVARSEL: De genererte vibrasjonene ved faktisk bruk av elektroverktøyet kan avvike fra den oppgitte vibrasjonsverdien, avhengig av hvordan verktøyet brukes.

⚠ADVARSEL: Vær påpasselig med å finne sikkerhetstiltak som beskytter operatøren, basert på en oppfatning av risiko under faktiske bruksforhold (på bakgrunn av alle sider ved brukssyklusen, som når verktøyet slås av og når det går på tomgang, i tillegg til oppstarten).

EFs samsvarserklæring

Gjelder kun for land i Europa

EFs samsvarserklæring er lagt til som vedlegg A i denne bruksanvisningen.

Generelle advarsler angående sikkerhet for elektroverktøy

⚠ADVARSEL: Les alle sikkerhetsadvarsler, instruksjoner, illustrasjoner og spesifikasjoner som følger med dette elektroverktøyet. Hvis ikke alle instruksjonene nedenfor følges, kan det forekomme elektrisk støt, brann og/eller alvorlig skade.

Oppbevar alle advarsler og instruksjoner for senere bruk.

Uttrykket «elektrisk verktøy» i advarslene refererer både til elektriske verktøy (med ledning) tilkoblet strømmettet, og batteridrevne verktøy (uten ledning).

Sikkerhetsadvarsler for sirkelsag

Skjæreprosedyrer

1. **FARE!** Hold hendene unna kappeområdet og bladet. Hold den andre hånden på hjelpehåndtaket eller motorhuset. Hvis du holder sagen med begge hendene, risikerer du ikke at de blir skåret av bladet.
2. **Ikke strekk deg under arbeidsstykket.** Bladvernet kan ikke beskytte deg mot bladet under arbeidsemnet.
3. **Juster dybden på kutt til tykkelsen på arbeidsstykket.** Mindre enn en hel sagtann skal være synlig nedenfor arbeidsemnet.
4. **Du må aldri holde arbeidsstykket med hendene eller la det ligge tvers over bena dine når det kuttes. Sikre arbeidsstykket på en stødig plattform.** Det er viktig å støtte arbeidsstykket ordentlig for å gjøre risikoen minst mulig for å få skader, for at bladet skal sette seg fast, eller for at du skal miste kontrollen.

► Fig.1

5. **Hold elektroverktøyet i de isolerte gripeflatene når skjæreverktøyet kan komme i kontakt med skjulte ledninger eller sin egen ledning under arbeidet.** Kontakt med en strømførende ledning kan føre til at metalldelene på elektroverktøyet også blir strømførende, og kan gi brukeren elektrisk støt.
6. **Ved kløyving må du alltid bruke et parallellanlegg eller en føring med rett kant.** Dette forbedrer nøyaktigheten av kuttet og reduserer risikoen for at bladet skal sette seg fast.
7. **Det må alltid brukes blader med riktig størrelse og form (diamant eller rund) på akselhullet.** Blader som ikke passer til monteringsmekanismen på sagen vil svive ute av senter og bli umulige å kontrollere.
8. **Bruk aldri mellomleggsskiver til bladet eller en bolt som er skadd eller ikke passer.** Mellomleggsskivene for bladet og boltene er spesielt utformet for sagen, for optimal ytelse og sikker drift.

Tilbakeslag oppstår og relaterte advarsler

- Tilbakeslag er en plutselig reaksjon på et klemt, festsittende eller feiljustert sagblad, som kan føre til at en sag som ikke holdes godt fast blir løftet opp og ut av arbeidsstykket, og mot operatøren.
- Når bladet kommer i klem eller setter seg fast ved at snittet lukker seg, stopper bladet, og motoren driver enheten hurtig tilbake mot operatøren.
- Hvis bladet blir vridd eller feiljustert i snittet, vil tennene i bakkant av bladet grave seg inn i den øvre kanten av arbeidsemnet, slik at bladet arbeider seg ut av snittet og spretter tilbake mot operatøren.

Tilbakeslag er et resultat av feil bruk av sagen og/eller feilaktige arbeidsprosedyrer eller arbeidsforhold, og kan unngås hvis man tar de rette forholdsregler (se nedenfor).

1. **Hold sagen i et fast grep med begge hender, og hold armene dine slik at de kan motstå kraften fra sagen i tilfelle den slår tilbake mot deg. Posisjoner kroppen på den ene siden av bladet, men ikke på linje med det.** Tilbakeslag kan føre til at sagen hopper bakover. Tilbakeslagene kan imidlertid kontrolleres av brukeren, hvis brukeren tar de rette forholdsreglene.
2. **Når bladet setter seg fast, eller når du av en eller annen grunn vil avbryte sagingen, må du slippe startbryteren og holde sagen i ro i materialet inntil bladet har stoppet helt. Du må aldri forsøke å fjerne sagen fra arbeidsemnet eller å trekke den bakover mens bladet er i bevegelse, da dette kan få sagen til å slå tilbake.** Undersøk hvorfor bladet setter seg fast og sett i verk avhjelpende tiltak.
3. **Når du starter sagen i arbeidsstykket igjen, må du sentrere sagbladet i snittet slik at sagtennene ikke griper inn i materialet.** Hvis et sagblad sitter fast, kan det løfte seg opp eller føre til at sagen slår tilbake mot deg når den startes igjen.
4. **Støtt opp større plater for å redusere risikoen så mye som mulig for at bladet kommer i bek-nip, og for tilbakeslag.** Større plater har en tendens til å bøye seg under sin egen vekt. Støttene må plasseres under platen på begge sider, nær kappelinjen og nær kantene av platen.

► Fig.2

► Fig.3

5. **Ikke bruk sløve eller ødelagte blad.** Uskarpe eller feilaktig innstilte blad gir trangt snitt, noe som forårsaker kraftig friksjon, får bladet til å sette seg fast og resulterer i at sagen slår tilbake mot operatøren.
6. **Dette kan medføre tilbakeslag (kickback) som kan gi alvorlige personskader.** Bladdybden og låsehendene for avfajningsjusteringen må være strammet og festet før snittet gjøres.
7. **Vær ekstra forsiktig når du sager i eksisterende vegger eller andre områder uten innsyn.** Det fremstikkende bladet kan treffe gjenstander som kan forårsake tilbakeslag.
8. **Hold ALLTID maskinen fast med begge hender. Plasser ALDRI hånden, benet eller noen annen kroppsdeler under maskinfoten eller bak sagen, særlig når du sager på tvers.** Hvis det skjer et tilbakeslag, kan sagen lett komme til å hoppe bakover over hånden din og forårsake alvorlige helseskader.

► Fig.4

9. **Bruk aldri makt på sagen. Skyv sagen fremover med en slik hastighet at bladet skjærer uten å miste fart.** Hvis du bruker makt på sagen, kan det gi ujevne snitt, unøyaktighet og muligheter for tilbakeslag.

Vernfunksjon

1. **Sjekk at det nedre vernet er ordentlig lukket før hver gang maskinen tas i bruk. Ikke begynn å bruke sagen hvis det nedre vernet ikke beveger seg fritt og lukker seg momentant. Det nedre vernet må aldri klemmes fast eller bindes opp i åpen stilling.** Hvis sagen ved et ulykkestilfelle skulle falle ned, kan det nedre vernet bli bøyd. Løft det nedre vernet med hevehendelen og forviss deg om at det beveger seg fritt og ikke berører bladet eller andre deler, uansett snittvinkel eller -dybde.
2. **Kontroller at fjæren til det nedre vernet virker som den skal. Hvis vernet og fjæren ikke fungerer som de skal, må de etterses før bruk.** Det nedre vernet kan gå tregt pga. ødelagte deler, gummiavleiringer eller opphopning av spon.
3. **Det nedre vernet kan trekkes tilbake manuelt bare i forbindelse med spesielle typer snitt, som f.eks. innstikk og kombinasjonssaging.** Hev det nedre vernet ved hjelp av hevehendelen og slipp det så snart bladet går inn i materialet. For all annen saging bør det nedre vernet få lov til å fungere automatisk.
4. **Pass på at det nedre vernet alltid dekker bladet før du setter sagen ned på benken eller gulvet.** Et ubeskyttet, roterende blad vil få sagen til å bevege seg bakover mens bladet kapper alt som kommer i dets vei. Vær oppmerksom på at bladet trenger en viss tid for å stoppe etter at bryteren er sluppet.
5. **Kontroller det nedre vernets funksjon ved å åpne det for hånd, slippe det og kontrollere at det lukkes. Kontroller også at hevehendelen ikke berører verktøyet.** Et eksponert blad er SVÆRT FARLIG og kan føre til alvorlig personskade.

Flere sikkerhetsadvarsler

1. **Vær ekstra forsiktig ved skjæring i fuktig tre, trykkbehandlet tømmer eller tømmer med kvist.** Unngå overoppheting av bladspissene ved å bevege bladet jevnt fremover uten reduksjon i bladhastigheten.
2. **Ikke forsøk å fjerne kapp mens bladet er i bevegelse. Vent til bladet stopper før du griper det materialet som er kappet.** Bladene roterer fritt etter at maskinen er slått av.
3. **Unngå å skjære i spiker. Se etter og fjern all spiker fra arbeidsemnet før arbeidet påbegynnes.**
4. **Sett den bredeste delen av sagfoten på den delen av arbeidsemnet som er godt støttet opp, ikke på den delen som kommer til å falle av når snittet er fullført. Hvis arbeidsemnet er kort eller lite, må det klemmes fast. IKKE FORSØK Å HOLDE KORTE STYKKER MED HÅNDEN!**

► Fig.5

5. **Før du setter verktøyet ned etter å ha fullført et kutt, må du forviss deg om at vernet er lukket og at bladet har stoppet helt.**
6. **Forsøk aldri å sage mens sirkelsagen holdes opp ned i en skrustikke. Dette er ekstremt farlig og kan forårsake alvorlige ulykker.**

► Fig.6

7. **Enkelte materialer inneholder kjemikalier som kan være giftige. Treff tiltak for å hindre hudkontakt og innånding av støv. Følg leverandørens sikkerhetsanvisninger.**
8. **Ikke stopp bladene ved å presse sideveis på sagbladet.**
9. **Ikke bruk slipeskiver.**
10. **Bruk bare sagbladet med diameter som er merket på verktøyet eller spesifisert i håndboken.** Bruk av et blad med feil størrelse kan påvirke riktig beskyttelse av bladet eller bruk av bladvernet, som kan resultere i alvorlig personskade.
11. **Hold bladet skarpt og rent.** Harpiks og bek som størkner på bladene reduserer turtallet på sagen og øker risikoen for tilbakeslag. Hold bladet rent ved først å ta det av verktøyet og deretter gjøre det rent med en harpiks- og bekfjerner, varmt vann eller parafin. Du må aldri bruke bensin.
12. **Bruk en støvmaske og hørselsvern når du bruker verktøyet.**
13. **Bruk alltid sagbladet som er beregnet på kutting av materialet som du skal kutte.**
14. **Bruk bare sagbladene som er merket med en hastighet som er lik eller høyere enn hastigheten som er merket på verktøyet.**
15. **(Kun land i Europa.)
Bruk alltid bladet som overholder EN847-1.**

TA VARE PÅ DISSE INSTRUKSENE.

⚠ ADVARSEL: IKKE LA hensynet til hva som er "behagelig" eller det faktum at du kjenner produktet godt (etter mange gangers bruk) gjøre deg mindre oppmerksom på sikkerhetsreglene for bruken av det aktuelle produktet. Ved MISBRUK eller hvis ikke sikkerhetsreglene i denne bruksanvisningen følges, kan det oppstå alvorlig personskade.

FUNKSJONS BESKRIVELSE

⚠️ FORSIKTIG:

- Forviss deg alltid om at maskinen er slått av og støpselet trukket ut av kontakten før du justerer maskinen eller kontrollerer dens mekaniske funksjoner.

Justere skjæredybden

- Fig.7: 1. Dybdeføring 2. Spak

⚠️ FORSIKTIG:

- Når du har justert skjæredybden, må du alltid stramme spaken godt.

Løsne spaken på dybdeføringen og beveg foten opp eller ned. Fest foten ved ønsket skjæredybde ved å stramme spaken.

For renere og sikrere kutt, må du stille inn skjæredybden slik at ikke mer enn én sagtann stikker ut under arbeidsemnet. Hvis skjæredybden er riktig, reduseres risikoen for farlige TILBAKESLAG som kan forårsake helseskader.

Skråskjæring

- Fig.8: 1. Spak 2. Positiv stopper 3. Pil på positiv stopper

Positiv stopper

Drei den positive stopperen slik at pilen peker på én av de tre stillingene (22,5°, 45°, 50°). Tipp deretter verktøytøten til den stopper og fest foten med spaken. Nå oppnås samme vinkel som den som pilen angir.

Angi skjæringsvinkel

Løsne spaken og forsøk å sette verktøytøtens skjæringsvinkel til 0° og fest spaken godt.

Drei den positive stopperen slik at pilen peker på én av de tre stillingene (22,5°, 45°, 50°) som er lik eller større enn ønsket skjæringsvinkel.

Løsne spaken på nytt og tipp og fest verktøytøten godt i ønsket vinkel.

MERK:

- Når den positive stopperens posisjon skal endres, gjøres dette ved at spaken løsnes og skjæringsvinkelen settes til mindre enn ønsket stopperposisjonsnummer.
- Når pilen på den positive stopperen peker på 22,5, kan skjæringsvinkelen justeres fra 0°-22,5°. Når pilen peker på 45, kan den justeres fra 0-45°. Når pilen peker på 50, kan skjæringsvinkelen justeres fra 0-50°.

Sikting

- Fig.9: 1. Feste

Ved skjæring av rette linjer, må A-merket foran på foten rettes inn mot skjærelinjen på arbeidsemnet. For 45° skråskjæring må B-merket rettes inn mot skjærelinjen.

Bryterfunksjon

- Fig.10: 1. Startbryter

⚠️ FORSIKTIG:

- Før du kobler maskinen til strømmettet, må du alltid kontrollere at startbryteren aktiverer maskinen på riktig måte og går tilbake til "AV"-stilling når den slippes.

Trykk på startbryteren for å starte verktøyet. Slipp startbryteren for å stoppe verktøyet.

Tenne lampen

- Fig.11: 1. Lampe

⚠️ FORSIKTIG:

- Ikke utsett lampen for støt, da dette kan skade den eller redusere levetiden.
- Ikke se inn i lyset eller se direkte på lyskilden.

Lampen lyser når verktøyet er koblet til. Lampen lyser til verktøyet kobles fra.

Hvis lampen ikke lyser, kan det være feil på strømledningen eller lampen. Hvis lampen tennes, men verktøyet ikke starter, selv om det er slått på, kan kullbørstene være slitt eller det kan være en defekt i motoren eller på/av-bryteren.

MERK:

- Bruk en tørr klut til å tørke støv osv. av lampelinsen. Vær forsiktig så det ikke blir riper i lampelinsen, da dette kan redusere lysstyrken.

MONTERING

⚠️ FORSIKTIG:

- Forviss deg alltid om at maskinen er slått av og støpselet trukket ut av kontakten før du utfører noe arbeid på maskinen.

Oppbevare sekskantnøkkel

- Fig.12: 1. Sekskantnøkkel 2. Fremspring

Sekskantnøkkelen oppbevares på verktøyet. Ta av sekskantnøkkelen ved å dreie den mot deg og trekke den ut.

Sett på plass sekskantnøkkelen ved å sette den på håndtaket og dreie den til den kommer i kontakt med fremspringet på håndtaket.

Demontere eller montere sagbladet

- Fig.13: 1. Sekskantnøkkel 2. Spindellås

⚠️ FORSIKTIG:

- Sørg for at bladet monteres med tennene pekende opp foran på verktøyet.
- Bruk bare Makita-nøkkelen til å montere eller fjerne bladet.

For å ta av bladet må du trykke på spindellåsen så bladet ikke kan rotere og løsne sekskantskruen ved å skru den mot urviseren med sekskantnøkkelen. Fjern så sekskantskruen, den ytre flensen og bladet. Monter bladet ved å følge fremgangsmåten for demontering i motsatt rekkefølge. PASS PÅ Å STRAMME SEKSKANTSKRUEN FORSVARLIG MED KLOKKEN.

► **Fig.14:** 1. Sagblad 2. Sekskantskrue 3. Ytre flens 4. Indre flens 5. Ring

Når du skifter blad må du også rengjøre de øverste og nederste bladvernene for akkumulert sagflis som nevnt i avsnittet Vedlikehold. Du må imidlertid fortsatt kontrollere at nedre bladvern virker før hver gangs bruk.

Koble til støvsuger

Valgfritt tilbehør

► **Fig.15:** 1. Støvsuger

Hvis du vil sage så rent som mulig, kan du koble en Makita-støvsuger til verktøyet ditt. Monter støvutløpet på verktøyet ved hjelp av skruene. Koble deretter støvsugerslangen til støvutløpet som vist på figuren.

BRUK

⚠ FORSIKTIG:

- Sørg for å bevege verktøyet pent fremover i en rett linje. Hvis du bruker makt på eller vrir verktøyet, vil motoren bli overopphetet og maskinen kan slå tilbake mot brukeren. Dette er farlig og kan gi alvorlige personskader.

► **Fig.16:** 1. Bakre håndtak 2. Fronthåndtak 3. Feste

Bruk alltid det fremre og bakre håndtaket og hold maskinen støtt med begge håndtakene når du bruker den. Verktøyet leveres med både et fremre og et bakre håndtak. Hvis du holder sagen med begge hendene, risikerer du ikke at de blir skåret av bladet. Sett foten på det arbeidsemnet som skal kappes, uten at bladet kommer borti arbeidsemnet. Slå så på maskinen, og vent til bladet oppnår full hastighet. Beveg verktøyet forover over overflaten av arbeidsemnet mens du holder det flatt og beveger det jevnt fremover inntil sagingen er fullført. For å få rene kutt må du sage i rett linje og med jevn hastighet. Hvis kuttet ikke følger skjærelinjen helt som du vil, må du ikke forsøke å dreie eller tvinge verktøyet tilbake til linjen. Hvis du gjør det, kan bladet sette seg fast og gi farlig tilbakeslag og risiko for alvorlige personskader. Slipp bryteren, vent til bladet stopper og trekk ut verktøyet. Still inn verktøyet på en ny skjærelinje og begynn sagingen på nytt. Forsøk å unngå en plassering som utsetter deg for en sprut av flis og sagmugg fra sagen. Bruk beskyttelsesbriller for å redusere faren for skader.

Parallellanlegg (føringslinjal) (tilbehør)

► **Fig.17:** 1. Parallellanlegg (føringslinjal)

Det praktiske parallellanlegget gjør det mulig å foreta ekstra nøyaktige rette kutt. Skyv ganske enkelt parallellanlegget tett opp til siden av arbeidsemnet og fest det med skruen foran på foten. Med parallellanlegget kan du skuren skjære gjentatte ganger med samme bredde.

VEDLIKEHOLD

⚠ FORSIKTIG:

- Forviss deg alltid om at maskinen er slått av og støpselet trukket ut av kontakten før du foretar inspeksjon eller vedlikehold.
- **Rens de øvre og nedre vernene for å sikre at det ikke er akkumulert sagflis som kan svekke funksjonen til det nedre verne-systemet.** Et skittent vernesystem kan begrense riktig bruk, som kan resultere i alvorlig personskade. Den mest effektive måten å oppnå dette på, er rengjøring med trykkluft. **Hvis støvet blåses ut av vernene, pass på at det riktige øye- og åndedrettsvernet brukes.**
- Aldri bruk gasolin, bensin, tynner alkohol eller lignende. Det kan føre til misfarging, deformering eller sprekkdannelse.

Justere nøyaktigheten for 90°-kutt (vertikalt kutt)

Denne justeringen er gjort på fabrikken. Skulle den bli unøyaktig, må du justere justeringsskruene med en sekskantnøkkel mens du bruker en trekantlinjal eller et vinkeljern til å kontrollere at bladet står i 90° eller 45° vinkel på foten.

► **Fig.18:** 1. Feste 2. Justeringsskrue

► **Fig.19:** 1. Trekantlinjal

Skifte kullbørster

► **Fig.20:** 1. Utskiftingsmerke

Fjern og kontroller kullbørstene med jevne mellomrom. Skift dem når de er slitt ned til utskiftingsmerket. Hold kullbørstene rene og fri til å bevege seg i holderne. Begge kullbørstene må skiftes samtidig. Bruk bare identiske kullbørster.

Bruk en skrutrekker til å fjerne børsteholderhettene. Ta ut de slitte kullbørstene, sett i nye, og fest børsteholderhettene.

► **Fig.21:** 1. Børsteholderhette 2. Skrutrekker

For å opprettholde produktets SIKKERHET og PÅLITELIGHET, må reparasjoner, vedlikehold og justering utføres av Makitas autoriserte servicesentre, og det må alltid brukes reservedeler fra Makita.

Kun for modellen 508MGA

Etter at børstene er skiftet, må du kople maskinen til strømmettet og kjøre inn børstene ved å la maskinen gå uten belastning i ca. 10 minutter. Sjekk deretter maskinen mens den går, og at den elektriske bremsen fungerer når du slipper startbryteren. Hvis den elektriske bremsen ikke fungerer skikkelig, må du henvende deg til ditt lokale Makita-servicesenter for å få den reparert.

VALGFRITT TILBEHØR

⚠️ FORSIKTIG:

- Det anbefales at du bruker dette tilbehøret eller verktøyet sammen med den Makita-maskinen som er spesifisert i denne håndboken. Bruk av annet tilbehør eller verktøy kan forårsake helseskader. Tilbehør og verktøy må kun brukes til det formålet det er beregnet på.

Ta kontakt med ditt lokale Makita-servicesenter hvis du trenger mer informasjon om dette tilbehøret.

- Sagblad med stål- og karbidspisser

Kombinasjon	Universalblad for rask og jevn kløving, kapping og gjæring.
Trykkbehandlet/våt trelast	Utviklet for rask kutting av trykkbehandlet og våt trelast.
Fine tverrkutt	For glatte kutt mot fiberretningen.

- Parallellanlegg (føringslinjal)
- Sekskantnøkkel
- Støvtløp (forbindelse)

MERK:

- Enkelte elementer i listen kan være inkludert som standardtilbehør i verktøypakken. Elementene kan variere fra land til land.

TEKNISET TIEDOT

Malli	5008MG / 5008MGA		
Terän läpimitta	210 mm		
Maks. leikkaussyvyys	90° kulmassa	75,5 mm	
	45° kulmassa	57 mm	
	50° kulmassa	51,5 mm	
Nopeus kuormittamattomana (min ⁻¹)	5 200		
Kokonaispituus	332 mm		
Nettopaino	4,8 kg		
Turvaluokitus	□/II		

- Jatkuvasta tutkimus- ja kehitystyöstämme johtuen esitetyt tekniset tiedot saattavat muuttua ilman erillistä ilmoitusta.
- Tekniset tiedot voivat vaihdella maittain.
- Paino EPTA-menetelmän 01/2014 mukainen

Käyttötarkoitus

Työkalu on tarkoitettu puun pitkittäis-, poikittais- ja jirissahauksen siten, että saha on koko ajan välittömässä kosketuksessa työkappaleeseen. Käyttämällä asianmukaisia aitoja Makita-sahanteriä on mahdollista sahata myös muita materiaaleja.

Virtälähde

Laitteen saa kytkeä vain sellaiseen virtalähteeseen, jonka jännite on sama kuin arvokilvessä ilmoitettu, ja sitä saa käyttää ainoastaan yksivaiheisella vaihtovirralla. Laitte on kaksinkertaisesti suojaeristetty, ja se voidaan siten kytkeä myös maadoittamattomaan pistorasiaan.

220 ja 250 voltin matalajännitteiset jakeluverkot.

Sähkölaitteiden käynnistys ja sammutus aiheuttavat jännitevaihteluita. Tämän laitteen käyttö epävakaa verkossa saattaa haitata muiden laitteiden toimintaa. Haittavaikutuksia ei ole odotettavissa, jos verkon impedanssi on enintään 0,37 ohmia. Verkkopistokkeessa, johon tämä laite kytketään, on oltava sulake tai hidas vikavirtasuojaus.

Melutaso

Tyyppillinen A-painotettu melutaso määräytyy EN62841-standardin mukaan:

Äänenpainetaso (L_{pA}): 95 dB (A)

Äänitehotaso (L_{WA}): 106 dB (A)

Virhemarginaali (K): 3 dB (A)

Käytä kuulosuojaimia

Tärinä

Värähtelyn kokonaisarvo (kolmiakselivektorin summa) on määritetty EN62841 mukaan:

Työtila : puun sahaaminen

Tärinäpäästö ($a_{h,W}$): 3,0 m/s²

Virhemarginaali (K): 1,5 m/s²

Työmenetelmä: metallin sahaaminen

Tärinäpäästö ($a_{h,M}$): 3,0 m/s²

Virhemarginaali (K): 1,5 m/s²

HUOMAA: Ilmoitettu tärinäpäästöarvo on mitattu standarditestausmenetelmän mukaisesti, ja sen avulla voidaan vertailla työkaluja keskenään.

HUOMAA: Ilmoitettua tärinäpäästöarvoa voidaan käyttää myös altistumisen alustavaan arviointiin.

VAROITUS: Työkalun käytön aikana mitattu todellinen tärinäpäästöarvo voi poiketa ilmoitetusta tärinäpäästöarvosta työkalun käyttötavan mukaan.

VAROITUS: Selvitätä käyttäjän suojaamiseksi tarvittavat varoimet todellisissa käyttöolosuhteissa tapahtuvan arvioidun altistumisen mukaisesti (ottaen huomioon käyttöjako kokonaisuudessaan, myös jaksot, joiden aikana työkalu on sammutettuna tai käy tyhjäkäynnillä).

EY-vaatimustenmukaisuusvakuutus

Koskee vain Euroopan maita

EY-vaatimustenmukaisuusvakuutus on liitetty tähän käyttöoppaaseen.

Sähkötyökalujen käyttöä koskevat yleiset varoitukset

VAROITUS: Tutustu kaikkiin tämän sähkötyökalun mukana toimitettuihin varoituksiin, ohjeisiin, kuviin ja tekniisiin tietoihin. Seuraavassa lueteltujen ohjeiden noudattamatta jättäminen saattaa johtaa sähköiskuun, tulipalloon tai vakavaan vammautumiseen.

Säilytä varoitukset ja ohjeet tulevaa käyttöä varten.

Varoituksissa käytettävällä termillä "sähkötyökalu" tarkoitetaan joko verkkovirtaa käyttävää (johdollista) työkalua tai akkukäyttöistä (johdotonta) työkalua.

Pyörösahan turvavaroitukset

Sahasohjeet

1. **VAARA:** Pidä kädet loitolla sahauslinjalta ja terästä. Pidä toista kättä apukahvalla tai moottorin kotelon päällä. Jos pidät kiinni sahasta molemmin käsin, terä ei voi vahingoittaa käsiä.

2. **Älä korota työkappaleen alapuolelle.** Suojus ei suojaa terältä työkappaleen alapuolella.
3. **Sääädä leikkaussyvyys työkappaleen paksuuden mukaan.** Pienempi osa kuin terän täysi hammas tulee olla näkyvillä työkappaleen alapuolella.
4. **Älä koskaan pidä työkappaletta käsissäsäi tai jalkojesi välissä leikkaamisen aikana. Kiinnitä työkappale tukevaan jalustaan.** On tärkeää, että työkappale tuetaan luotettavasti loukkaantumisen riskin, terän juuttumisen ja laitteen hallinnan menettämisen välttämiseksi.

► **Kuva1**

5. **Pidä sähkötyökalusta kiinni sen eristetyistä tartuntapinnoista suoritettaessa toimintoja, missä terä voi osua piilossa oleviin johtoihin tai työkalun omaan virtajohtoon.** Jos sähkötyökalun metalliosa joutuu kosketukseen jännitteellisen virtajohtojen kanssa, työkalun sähköä johtavat metalliosat voivat aiheuttaa käyttäjälle sähköiskun.
6. **Käytä halkaisuun aina halkaisu- tai sivuohjainta.** Se parantaa sahaustarkkuutta ja vähentää terän juuttumista.
7. **Käytä aina oikeankokoisia ja -muotoisia teriä (timantti vs. pyöreä).** Terät, jotka eivät sovi työkalun kiinnityslaitteisiin, pyörivät epäkeskeisesti ja aiheuttavat sahan ohjauksen menetyksen.
8. **Älä koskaan käytä viallisia tai vääriä terän aluslevyjä tai pultteja.** Terän aluslaatat ja pultit on suunniteltu erityisesti tälle sahalle ja takaavat parhaan suorituskyvyn ja turvallisuuden.

Takapotku ja siihen liittyvät varoitukset

- takapotku on äkillinen reaktio, jonka aiheuttaa kiinni juuttunut, vääntynyt tai vääriin kohdistettu terä, joka saa sahan hypähtämään irti työkappaleesta käyttäjää kohti;
- jos terä juuttuu tai jumittuu tiukkaan sahausuraan, terä pysähtyy ja moottorin suojaus kääntää sen pyörimissuunnan nopeasti taaksepäin käyttäjää kohti;
- jos terä vääntyy tai sen kohdistus muuttuu sahatessa, terän takaosan hampaat voivat pureutua puun pintakerrokseen, jolloin terä nousee ylös urasta ja saha ponnahtaa käyttäjään kohti.

Takapotku johtuu sahan virheellisestä käytöstä ja/tai vääristä käyttöolosuhteista. Takapotku voidaan välttää noudattamalla seuraavia varotoimia.

1. **Ota sahasta tukeva ote molemmin käsin ja pidä käsiä sellaisessa asennossa, että voit ottaa vastaan mahdollisen takapotkun aiheuttamat voimat.** Sijoita vartalo jommallekummalle puolelle terää, mutta ei terän suuntaisesti. Takapotku voi aiheuttaa sahan ponnahtamisen taaksepäin, mutta käyttäjä voi hallita sen voimat, jos takapotkuun varaudutaan asianmukaisin varotoimin.
2. **Jos terä jumittaa tai jos keskeytät leikkaamisen jostakin muusta syystä, vapauta liipaisinkytkin ja pidä saha paikoillaan työkappaleessa, kunnes terä on täysin pysähtynyt. Älä koskaan yritä poistaa sahaa työkappaleesta tai vetää sahaa taaksepäin, kun terä liikkuu tai seurauksena voi olla takapotku.** Tutki ja korjaa mahdolliset syyt, jotka aiheuttavat terän jumittumisen.
3. **Kun saha käynnistetään uudelleen työkappaleessa, keskitä sahanterä sahausuraan ja tarkista, että sahan hampaat eivät ole kiinni materiaalisia.** Jos terä on jumissa, se saattaa hypähtää työkappaleesta tai aiheuttaa takapotkun käynnistettäessä sahaa uudelleen.

4. **Tue suuria paneeleja, jotta minimoit terien jumittumisen ja takapotkujen riskin.** Suurilla paneeleilla on tapana taipua oman painonsa vaikutuksesta. Levy on tuettava molemmilta puolilta sahauslinjan vierestä ja reunoilta.

► **Kuva2**

► **Kuva3**

5. **Älä käytä tylsiä tai vioittuneita teriä.** Tylsät tai vääriin asetetut terät tekevät kapean sahausuran, josta on seurauksena ylimääräistä kitkaa, terän taipuminen ja takapotku.
6. **Terän syvyys ja viisteen säädön lukitusvivut on otava tiukalla ennen leikkauksen suoritusta.** Jos terän asetus siirtyy leikkauksen aikana, seurauksena voi olla terän jumittuminen ja takapotku.
7. **Ole erityisen varovainen, kun sahaat umpinaisia seinäpintoja tai jos et muuten näe sahatavaa kohdetta.** Läpitukeutuva terä voi leikata kohteita, jotka saattavat aiheuttaa takapotkun.
8. **PIDÄ AINA koneesta tukevasti molemmin käsin. ÄLÄ KOSKAAN pidä kättä, jalkaa tai muuta ruumiinosaa työkalun pohjan alapuolelle tai sahan taakse, varsinkaan katkaisussa.** Jos saha potkaisee taakse, se voi helposti ponnahtaa käsille ja aiheuttaa vakavia vammoja.

► **Kuva4**

9. **Älä koskaan sahaa väkisin. Työnnä sahaa eteenpäin sellaisella nopeudella, että terä leikkaa hidastumatta.** Sahan pakottaminen voi aiheuttaa epätasaista leikkauks jälkeä, tarkkuuden vähenemistä ja mahdollisesti takapotkun.

Suojuksen toiminta

1. **Varmista alasuojuksen sulkeutuminen ennen jokaista käyttökertaa. Älä käytä sahaa, jos alasuojus ei liiku vapaasti ja sulkeudu heti. Älä koskaan sido alasuojusta auki-asentoon.** Jos saha putoaa vahingossa, alasuojus voi taittua. Nosta alasuojusta sisään vedettävästä kahvasta ja varmista, että suojuus liikkuu vapaasti eikä kosketa terää tai muita osia missään leikkaukskulmassa tai -syvytydessä.
2. **Tarkista alasuojuksen jousen toiminta. Jos suojuus ja jousi eivät toimi oikein, ne tulee huoltaa ennen käyttöä.** Alasuojus saattaa toimia hitaasti johtuen vioittuneista osista, tahmeasta karstasta tai jäännösten kasautumisesta.
3. **Alasuojus voidaan vetää taakse käsin vain silloin, kun sahataan umpinaisia pintoja. Nosta alasuojus vedettävästä kahvasta ja heti, kun terä leikkaa materiaalin, alasuojus tulee vapauttaa.** Kaikessa muussa sahausuksessa alasuojuksen tulee antaa toimia automaattisesti.
4. **Huomioi aina, että alasuojus peittää terän ennen kuin asetat sahan penkille tai lattialle.** Suojaamaton ja vapaasti liikkuva terä voi aiheuttaa sahan siirtymisen taaksepäin leikaten mitä sen eteen tulee. Ota huomioon se aika, jonka terän pysähtyminen sahan sammuttamisen jälkeen vaatii.
5. **Voit tarkistaa alasuojuksen avaimella sen käsin ja sitten vapauttamalla seuraten samalla, miten se sulkeutuu. Varmista myös, ettei sisään vedettävä kahva osoi leikkurin koteloon.** Terän jättäminen ilman suojusta on ERITTÄIN VAARALLISTA ja voi johtaa vakaviin vammoihin.

Turvallisuutta koskevia lisävaroituksia

- Ole erityisen varovainen, jos sahaat kosteaa, painekyllästettyä tai oksaista puuta.** Vältä terän ylikuumenemista säätämällä terän nopeus sellaiseksi, että sahaus etenee sujuvasti terän nopeuden hidastumatta.
 - Älä yritä poistaa leikattua materiaalia, kun terä on vielä liikkeessä.** Odota, kunnes terä pysähtyy, ennen kuin tartut sahattuun kappaleeseen. Terä pyörii vielä jonkin aikaa sen jälkeen, kun saha on sammutettu.
 - Vältä naulojen sahaamista.** Tarkista puutavara ja poista kaikki naulat ennen sahausta.
 - Aseta sahan alustan leveämpi puoli työkapaleen tuetun osan päälle, älä sahattaessa irtoavan osan päälle.** Jos työkapale on lyhyt tai pieni, kiinnitä se ruuvipenkkiin. **ÄLÄ YRITÄ PITÄÄ LYHYTTÄ TYÖKAPALETTA PAIKOILLAAN KÄSIN!**
- **Kuva5**
- Ennen sahan laskemista käsistäsi, varmista, että suojos on sulkeutunut ja terä on täysin pysähtynyt.
 - Älä koskaan yritä leikata sirkkelillä, joka on ylösalaisin viilapenkillä. Tämä on erittäin vaarallista ja voi johtaa vakaviin vammoihin.
- **Kuva6**
- Jotkin materiaalit sisältävät kemikaaleja, jotka voivat olla myrkyllisiä. Huolehdi siitä, että pölynsisäänhengittäminen ja ihokosketus estetään. Noudata materiaalin toimittajan turvaohjeita.
 - Älä pysäytä teriä painamalla sivusta sahanterää.
 - Älä käytä minkäänlaisia hiomalaikkoja.
 - Käytä vain sahanteriä, joiden halkaisija on sama kuin työkaluun merkitty tai ohjekirjassa mainittu. Vääränkokoisien terän käyttäminen voi vaikuttaa terän suojaukseen tai itse terän toimivuuteen ja aiheuttaa vakavia vammoja.
 - Pidä terät terävinä ja puhtaina.** Terään kovetunut pihka hidastaa sahaamista ja lisää takapotkun vaaraa. Pidä terä puhtaana irrottamalla se sahasta ja puhdistamalla pihkanpoistoaineella, kuumalla vedellä tai petrolilla. Älä käytä koskaan puhdistukseen bensiiniä.
 - Käytä työkalua käyttäessäsi hengitys- ja kuulosuojaimia.**
 - Käytä aina sahattavalle materiaalille tarkoitettua sahanterää.**
 - Käytä vain sahanteriä, joiden merkitty nopeus on vähintään yhtä suuri tai suurempi kuin työkaluun merkitty nopeus.**
 - (Ainoastaan Euroopan valtiot)
Käytä aina sahanteriä, jotka noudattavat standardin EN847-1 vaatimuksia.

SÄILYTÄ NÄMÄ OHJEET.

VAROITUS: ÄLÄ anna työkalun helppokäyttöisyyden (toistuvan käytön aikaansaama) johtaa sinua väärään turvallisuuden tunteeseen niin, että laiminlyöt työkalun turvaohjeiden noudattamisen. **VÄÄRINKÄYTTÖ** tai tässä käyttöohjeessa ilmoitettujen turvamääräysten laiminlyönti voi aiheuttaa vakavia henkilövahinkoja.

TOIMINTOJEN KUVAUS

HUOMIO:

- Varmista aina ennen koneen säätöjen ja toiminnallisten tarkistusten tekemistä, että kone on sammutettu ja irrotettu pistorasiasta.

Leikkaussyvyyden säätäminen

► **Kuva7:** 1. Syvyystulkki 2. Vipu

HUOMIO:

- Kiristä vipua lujasti aina leikkaussyvyyden säätämisen jälkeen.

Löysennä syvyystulkissa olevaa vipua ja siirrä pohjaa ylös tai alas. Kun olet säätänyt sahausvyvyyden sopivaksi, lukitse pohja kiristämällä vipu.

Aseta syvyys niin, että vain yksi terän hammas ulottuu työkapaleen alapinnan ulkopuolelle, jolloin leikkauks jäljestä tulee siisti ja itse leikkaus on turvallisempaa. Oikea leikkaussyvyys vähentää vammautumiskäsitä aiheuttavan TAKAPOTKUN vaaraa.

Viisteitysleikkaus

► **Kuva8:** 1. Vipu 2. Pysäytin 3. Positiivisen pysäyttimen nuoli

Positiivinen pysäytin

Kierrä positiivista pysäytintä siten, että sen kärjessä oleva nuoli osoittaa yhteen kolmesta asennosta (22,5°, 45°, 50°). Kallista sitten työkalun pohjaa, kunnes se pysähtyy ja varmista pohja vivulla. Tässä vaiheessa saavutetaan sama kulma, kuin nuolen osoittama.

Viistokulman asetus

Löysää vipua ja aseta varostasti työkalun pohja 0° viistokulmaan, kiristä sitten vipu kunnolla.

Kierrä positiivista pysäytintä siten, että siinä oleva nuoli osoittaa yhteen kolmesta asennosta (22,5°, 45°, 50°) joka on sama, kuin, tai suurempi kuin haluttu viistokulma.

Löysää taas vipua ja kallista sitten, ja varmista työkalun pohja kunnolla halutussa kulmassa.

HUOMAA:

- Kun muutat positiivisen pysäyttimen asentoa, sen löysääminen ja viistokulman kallistaminen pienempään pysäyttimen asentonumeroon sallii sen muuttamisen.
- Kun positiivisessa pysäyttimessä oleva nuoli osoittaa 22,5°, viistokulmaa voidaan säätää 0 - 22,5°; kun nuoli osoittaa 45°, se voidaan säätää 0 - 45°; kun nuoli osoittaa 50°, se voidaan säätää 0 - 50°.

Tähtäys

► **Kuva9:** 1. Pohja

Kun haluat leikata suoraan, kohdista pohjan etuosan piste A leikkauslinjaan. Kun haluat tehdä 45° viisteitysleikkauksia, kohdista piste B leikkauslinjaan.

Kytkimen käyttäminen

► **Kuva10:** 1. Liipaisinkytkin

⚠HUOMIO:

- Tarkista aina ennen työkalun liittämistä virtalähteeseen, että liipaisinkytkin kytkeytyy oikein ja palaa asentoon OFF, kun se vapautetaan.

Käynnistä työkalu painamalla liipaisinkytkintä. Laite pysäytetään vapauttamalla liipaisinkytkin.

Lampun sytyttäminen

► **Kuva11:** 1. Lamppu

⚠HUOMIO:

- Varo kolhimasta lamppua, ettei se vaurioidu tai sen toiminta-aika lyhene.
- Älä katso suoraan lamppuun tai valonlähteeseen.

Valo syttyy, kun työkalu kytketään virtaan. Valo pysyy päällä, kunnes työkalu vedetään virrasta.

Jos valo ei syty, lampun päärtajohto tai lamppu saattaa olla vioittunut. Lamppu syttyy, mutta työkalu ei käynnisty, vaikka työkalu on kytketty päälle, hiiliharjat voivat olla kuluneet tai moottori tai ON/OFF-kytkin voi olla vioittunut.

HUOMAA:

- Pyyhi lika pois lampun linssistä kuivalla liinalla. Älä naarmuta lampun linssiä, ettei valoteho laske.

KOKOONPANO

⚠HUOMIO:

- Varmista aina ennen koneelle tehtäviä toimenpiteitä, että kone on sammutettu ja irrotettu pistorasiasta.

Kuusioavaimen varastointi

► **Kuva12:** 1. Kuusioavain 2. Ulkonema

Kuusioavainta säilytetään työkalussa. Kuusioavaimen poistamiseksi, pyöritä sitä itseesi pain ja vedä se pois. Kuusioavaimen asentamiseksi, asenna se kahvaan ja kierrä sitä, kunnes se ottaa kahvassa olevaan ulkonemaan.

Sahanterän irrotus ja kiinnitys

► **Kuva13:** 1. Kuusioavain 2. Karalukitus

⚠HUOMIO:

- Varmista, että terä on asennettu siten, että hampaat sahan etuosassa osoittavat ylöspäin.
- Käytän terän irrottamiseen ja kiinnittämiseen vain Makitan kiintoavainta.

Terän poistamiseksi paina akselilukkoa siten, ettei terä pysty pyörimään ja käytä kuusioavainta kuusiopultin löysäämiseksi vastapäivään. Poista sitten kuusiopultti, ulkoinen laippa ja terä.

Terä kiinnitetään päinvastaisessa järjestyksessä. MUISTA KIRISTÄÄ KUUSIOPULTTIA TIUKASTI VASTAPÄIVÄÄN.

► **Kuva14:** 1. Sahanterä 2. Kuusiopultti 3. Ulkolaippa 4. Sisälaippa 5. Rengas

Muista teränvaihdon yhteydessä puhdistaa terän ylä- ja alasuojus niihin kertyneestä sahanpurusta Kunnossapito-kohdassa kuvatulla tavalla. Näistä toimenpiteistä huolimatta tarkista aina alasuojuksen toiminta ennen jokaista käyttökertaa.

Pölynimurin kytkeminen

Lisävaruste

► **Kuva15:** 1. Pölynimuri

Jos haluat tehdä sahaustyön siististi, kytke sahaan Makita-pölynimuri. Kiinnitä liitoskappale sahaan ruuveilla. Kytke sitten pölynimurin letku liitoskappaleeseen kuvan osoittamalla tavalla.

TYÖSKENTELY

⚠HUOMIO:

- Työnnä sahaa kevyesti suoraan eteenpäin. Sahan pakottaminen tai vääntäminen johtaa moottorin ylikuumentumiseen ja voi aiheuttaa vaarallisen takapotkun ja vakavia vammoja.

► **Kuva16:** 1. Takakahva 2. Etukahva 3. Pohja

Käytä aina etukahvaa ja takakahvaa ja pidä työkalusta molemmin käsin etu- ja takakahvoista kiinni käytettäessä. Työkalun mukana annetaan sekä etukahva että takakahva. Jos sahaa pidetään molemmilla käsillä, niitä ei voida leikata terällä. Aseta työkappaleessa oleva pohja leikattavaksi ilman, että terä ottaisi työkappaleeseen. Kytke sitten työkalu päälle ja odota, kunnes terä saavuttaa täyden nopeuden. Liikuta nyt yksinkertaisesti työkalua eteenpäin työkappaleen pinnalle, samalla tasaisena pitäen ja tasaisesti edeten, kunnes leikkaus on suoritettu.

Siistien leikkausten saavuttamiseksi pidä sahausleikkauksesi linja suorana ja etenemisnopeutesi vakiona. Jos leikkaus ei etene halutulla leikkauslinjalla, älä yritä kääntää tai pakottaa työkalua leikkauslinjalle. Se voi sitoa terän ja aiheuttaa vaarallisia takapotkuja ja mahdollisesti vakavan vammautumisen. Vapauta kytkin, odota, kunnes terä pysähtyy ja vedä työkalu sitten pois. Rinnasta työkalu uudelle linjalle, ja aloita leikkaus uudelleen. Yritä välttää sellainen asemointi, joka altistaa käyttäjän lastuille ja puupölylle, jotka syöksevät sahasta. Käytä silmäsuojusta vammautumisen estämiseksi.

Repeämäohjain (ohjaustulkki) (Lisävaruste)

► **Kuva17:** 1. Repeämäohjain (ohjaustulkki)

Kätevän repeämäohjaimen (ohjaustulkin) avulla voit sahata erityisen suoraan. Siirrä repeämäohjain tiukasti kiinni työkappaleen reunaa ja kiristä se paikoilleen pohjan etuosassa olevalla ruuvilla. Näin voit myös sahata useita saman levyisiä kappaleita.

KUNNOSSAPITO

▲HUOMIO:

- Varmista aina ennen tarkastuksia ja huoltotöitä, että laite on kone on sammutettu ja irrotettu virtalähteestä.
- **Puhdista ylä- ja alasuojukset ja varmista, ettei niihin ole kertynyt sahanpurua, joka voisi estää alasuojusjärjestelmän toiminnan.** Jos suojuksjärjestelmä on likainen, se ei ehkä toimi asianmukaisesti, mikä voi aiheuttaa vakavia vammoja. Tehokkain puhdistustapa on käyttää paineilmaa. **Jos suojuksista lentää pölyä, muista käyttää asianmukaisia silmä- ja hengityssuojaimia.**
- Älä koskaan käytä bensiiniä, ohentimia, alkoholia tai tms. aineita. Muutoin pinta voi halkeilla tai sen värit ja muoto voivat muuttua.

Tarkkuussäätö 90° (suora leikkaus)

Kulmat on säädetty tehtaalla. Jos säädöt on kytketty pois, säädä kulmat säätöruuvilla kuusioavainta käyttäen ja tasoittamalla terä pohjaan kolmikulmaa, kulmamittaa tms. käyttäen.

► **Kuva18:** 1. Pohja 2. Säätöruuvi

► **Kuva19:** 1. Kolmikulma

Hiiliharjojen vaihtaminen

► **Kuva20:** 1. Rajamerkki

Irrota ja tarkista hiiliharjat säännöllisesti. Vaihda uusiin, kun ne ovat kuluneet rajamerkkiin saakka. Pidä hiiliharjat puhtaina ja vapaina liukumaan pitimissään. Molemmat hiiliharjat on vaihdettava samalla kertaa. Käytä vain keskenään samanlaisia hiiliharjoja. Irrota hiiliharjat kannot ruuvitaltalla. Poista kuluneet hiiliharjat, aseta uudet harjahielet paikalleen ja kiinnitä hiiliharjojen kansi paikalleen.

► **Kuva21:** 1. Harjanpitimen kansi 2. Ruuvitaltta

Koneen TURVALLISUUDEN ja LUOTETTAVUUDEN säilyttämiseksi korjaukset sekä muut huoltotoimet ja säädöt on jätettävä Makitan valtuuttaman huollon tehtäväksi käyttäen aina Makitan alkuperäisiä varaosia.

Vain malli 5008MGA

Harjojen vaihdon jälkeen, kytke työkaluun ja totuta harjat ajamalla työkalua ilman kuormitusta noin 10 minuutin ajan. Tarkista sitten työkalu ajon aikana ja sähköjarrujen toimintaa samalla, kun vapautat liipaisinkytkintä. Jos sähköjarrut eivät toimi hyvin, korjauta se paikallisessa Makitan huoltopisteessä.

LISÄVARUSTEET

▲HUOMIO:

- Näitä lisävarusteita ja -laitteita suositellaan käytettäväksi tässä ohjekirjassa mainitun Makitan koneen kanssa. Minkä tahansa muun lisävarusteen tai -laitteen käyttäminen voi aiheuttaa loukkaantumisvaaran. Käytä lisävarusteita ja -laitteita vain niiden käyttötarkoituksen mukaisesti.

Jos tarvitset apua tai yksityiskohtaisempia tietoja seuraavista lisävarusteista, ota yhteys paikalliseen Makitan huoltoon.

- Teräs- ja karbidikärkiset sahanterät

Yhdistelmä	Yleiskäyttöinen terä nopeaa ja tasaista halkaisua, katkaisua ja viistosahausta varten.
Painekäsitelty/ Märkä puutavara	Suunniteltu painekäsitellyn ja määrän puutavaran nopeaan leikkaukseen.
Hieno läpipleikkaus	Puhtaalle, puruttomalle leikkaukselle rosoisuutta vastaan.

- Repeämäohjain (ohjaustulkki)
- Kuusioavain
- Pölysuutin (liitos)

HUOMAA:

- Jotkin luettelossa mainitut varusteet voivat sisältyä työkalun toimitukseen vakiovarusteina. Ne voivat vaihdella maittain.

SPECIFIKĀCIJAS

Modelis	5008MG / 5008MGA		
Asmens diametrs	210 mm		
Maks. frēzēšanas dziļums	90° leņķī	75,5 mm	
	45° leņķī	57 mm	
	50° leņķī	51,5 mm	
Tukšgaitas ātrums (min ⁻¹)	5 200		
Kopējais garums	332 mm		
Neto svars	4,8 kg		
Drošības klase	□/II		

- Nepārtrauktās izpētes un izstrādes programmas dēļ šeit uzrādītās specifikācijas var tikt mainītas bez brīdinājuma.
- Atkarībā no valsts specifikācijas var atšķirties.
- Svārs atbilstīgi EPTA procedūrai 01/2014

Paredzētā lietošana

Šis darbarīks ir paredzēts kokmateriālu taisnvirziena un leņķveida zāģēšanai gareniski un šķērseniski, cieši saskaroties ar apstrādājamo materiālu. Izmantojot piemērotus Makita oriģinālos zāģu asmeņus, var zāģēt arī citus materiālus.

Strāvas padeve

Darbarīks jāpievieno tikai tādai strāvas padevei, kuras spriegums ir tāds pats, kā norādīts uz plāksnītes ar nosaukumu, un to var ekspluatēt tikai ar vienfāzes maiņstrāvas padevi. Darbarīks aprīkots ar divkāro izolāciju, tādēļ to var izmantot arī, pievienojot kontaktligzdai bez iezemējuma vada.

Ir paredzēts barošanai no zemsprieguma elektrības tīkliem ar spriegumu no 220 V līdz 250 V.

Ieslēdzot elektriskās ierīces rodas sprieguma fluktuācija. Šīs ierīces darbināšana nelabvēlīgajos elektro-padeves apstākļos var pasliktināt citu iekārtu darbību. Ja barošanas tīkla pilnā pretestība ir mazāka par 0,37 Ohmiem, var uzskatīt, ka negatīvu efektu nebūs. Elektrotīkla kontaktligzdai, kurai ir pievienota šī ierīce, jābūt aizsargātai ar drošinātāju vai slēgiekārtu ar iedarbošanās aizkavi.

Troksnis

Tipiskais A-svērtais trokšņa līmenis ir noteikts saskaņā ar EN62841:

- Skaņas spiediena līmenis (L_{PA}): 95 dB (A)
- Skaņas jaudas līmenis (L_{WA}): 106 dB (A)
- Neskaidrība (K): 3 dB (A)

Lietojiet ausu aizsargus

Vibrācija

Vibrācijas kopējā vērtība (trīs asu vektora summa) noteikta saskaņā ar EN62841:

- Darba režīms: koksnes zāģēšana
- Vibrācijas emisija (a_{h,w}): 3,0 m/s²
- Neskaidrība (K): 1,5 m/s²
- Darba režīms: metāla zāģēšana
- Vibrācijas emisija (a_{h,m}): 3,0 m/s²
- Neskaidrība (K): 1,5 m/s²

PIEZĪME: Paziņotā vibrācijas emisijas vērtība noteikta atbilstoši standarta pārbaudes metodei un to var izmantot, lai salīdzinātu vienu darbarīku ar citu.

PIEZĪME: Paziņoto vibrācijas emisijas vērtību arī var izmantot iedarbības sākotnējā novērtējumā.

▲BRĪDINĀJUMS: Reāli lietojot mehānizēto darbarīku, vibrācijas emisija var atšķirties no paziņotās emisijas vērtības atkarībā no darbarīka izmantošanas veida.

▲BRĪDINĀJUMS: Lai aizsargātu lietotāju, nosakiet drošības pasākumus, kas pamatoti ar iedarbību reālos darba apstākļos (ņemot vērā visus ekspluatācijas cikla posmus, piemēram, laiku, kamēr darbarīks ir izslēgts un kad darbojas tukšgaitā, kā arī palaides laiku).

EK atbilstības deklarācija

Tikai Eiropas valstīm

EK atbilstības deklarācija šajā lietošanas rokasgrāmatā ir iekļauta kā A pielikums.

Vispārīgi elektrisko darbarīku drošības brīdinājumi

▲BRĪDINĀJUMS: Izlasiet visus drošības brīdinājumus, instrukcijas, apskatiet ilustrācijas un tehniskos datus, kas iekļauti mehānizētā darbarīka komplektācijā. Ja netiek ievēroti visi tālāk minētie noteikumi, var tikt izraisīta elektrotrauma, notikt aizdegšanās un/vai rasties smagas traumas.

Glabājiet visus brīdinājumus un norādījumus, lai varētu tajos ieskatīties turpmāk.

Termins „elektrisks darbarīks” brīdinājumos attiecas uz tādu elektrisko darbarīku, ko darbina ar elektrību (ar vadu), vai tādu, ko darbina ar akumulatoru (bez vada).

Drošības brīdinājumi ripzāģim

Zāģēšanas procedūras

1. **⚠ BĪSTAMI:** Netuviniet rokas griešanas zonai un asmenim. Otru roku turiet uz palīgrokura vai motora korpusa. Ja turat zāģi ar abām rokām, asmens tās nevar sagriezt.
2. Nesniedzieties zem apstrādājamā materiāla. Aizsargs neaizsargā no asmens zem apstrādājamā materiāla.
3. Noregulējiet griešanas dziļumu atbilstoši apstrādājamā materiāla biezumam. Zem apstrādājamā materiāla jābūt redzamam nedaudz mazāk nekā veselam zāģa zobam.
4. Griežot apstrādājamo materiālu, nekad neturiet to rokās vai pār kāju. Apstrādājamo materiālu nostipriniet uz stabilas platformas. Materiālu ir svarīgi pareizi nostiprināt, lai mazinātu apdraudējumu ķermenim, novērstu asmens iekļīšanās vai kontroles zuduma risku.

► Att.1

5. Veicot darbību, kuras laikā griešanas instruments var pieskarties slēptam vadam vai savam vadam, mehanizēto darbarīku turiet aiz izolētām virsmām. Saskare ar vadu zem sprieguma var nodot spriegumu mehanizēta darbarīka metāla daļām, un operators var saņemt elektriskās strāvas triecienu.
6. Zāģējot gareniski, vienmēr izmantojiet garenzāģēšanas ierobežotāju vai aizsargu ar taisnām malām. Tas uzlabo zāģēšanas precizitāti un mazina asmens iekļīšanās iespēju.
7. Vienmēr izmantojiet asmeņus ar pareizā izmēra un formas (dimanta vai apaļas) pievienošanas atverēm. Asmeņi, kas neatbilst zāģa uzstādīšanas sastāvdaļām, darbosies nepareizi, izraisot kontroles zudumu.
8. Nekādā gadījumā nelietojiet bojātas vai neatbilstošas asmens starplikas vai skrūvi. Asmens paplāksnes un skrūves ir speciāli paredzētas konkrētajam zāģim, lai sniegtu optimālu darba izpildi un drošību.

Atsitienu iemesli un ar to saistīti brīdinājumi

- atsitiens ir pēkšņa kustība pēc zāģa asmens iesprūšanas, iekļīšanās vai nepareizas novietošanās, liekot zāģim nekontrolēti pacelties un izvīzīties no apstrādājamā materiāla operatora virzienā;
- kad asmens cieši iesprūst vai iekļījas starp sakļaujošos iezāģējumu, asmens apstājas, un dzinēja kustība liek ierīcei strauji vīzīties atpakaļ operatora virzienā;

- ja asmeni iezāģējumā saspiež vai nepareizi novieto, zobi asmens aizmugurējā malā var ieurbties koka virsmā, liekot asmenim izvīzīties no iezāģējuma un atlēkt atpakaļ operatora virzienā.
- Atsitiens rodas zāģa nepareizas lietošanas un/vai nepareizas darbības vai apstākļu rezultātā, un no tā var izvairīties, veicot piemērotus drošības pasākumus, kā tālāk norādīts.

1. **Ar abām rokām spēcīgi turiet zāģi, rokas novietojot tā, lai spētu pretoties atsitienu spēkam. Turiet asmeni vienā ķermeņa pusē, bet neturiet vienā līnijā ar ķermeņa vidusdaļu.** Atsitiens var likt zāģim atlēkt atpakaļ, taču atsitienu spēku operators var kontrolēt, ja veic piemērotus drošības pasākumus.
2. **Ja asmens iekļījas vai kāda iemesla dēļ neļauj pabeigt zāģēšanu, atlaidiet mēlīti un nekustinot turiet zāģi materiālā, kamēr asmens pilnībā apstājas. Nekad neņemiet zāģi ārā no materiāla un nevirziet to atpakaļ, ja asmens kustas, jo tā var izraisīt atsitienu.** Pārbaudiet un koriģējiet, lai novērstu asmens iekļīšanās cēloņus.
3. **Atsākot zāģa darbību apstrādājamajā materiālā, novietojiet zāģa asmeni iezāģējuma centrā tā, lai zāģa zobi nesaskaras ar materiālu.** Ja zāģa asmens ir iekļījies, tas var palēkties vai atsīties no apstrādājamā materiāla, kad zāģa darbība tiek atsākta.
4. **Atbalstiet lielus gabalus, lai samazinātu asmens iesprūšanu vai atsitienu.** Lielī gabali bieži vien zem sava svara ieliecas. Atbalsti jānovieto abās pusēs zem gabala, blakus griezumam līnijai un blakus gabala malai.

► Att.2

► Att.3

5. **Neizmantojiet neasus vai bojātus asmeņus.** Neuzasināts vai nepareizi uzstādīts asmens veido šauru iezāģējumu, kas rada pārmērīgu berzi, asmens iekļīšanās vai atsitienu.
6. **Pirms sākt zāģēt pārļiecinieties, vai asmens dziļuma un slīpuma regulēšanas sviras ir ciešas un nostiprinātas.** Ja noregulētais asmens griešanas laikā pārvietojas, tas var iekļīties un izraisīt atsitienu.
7. **Īpaši uzmanieties, zāģējot jau esošās sienās vai citās aizsegtās vietās.** Caurejošais asmens var ietriekties priekšmetos, kas var izraisīt atsitienu.
8. **VIENMĒR stingri turiet darbarīku ar abām rokām. NEKAD nenovietojiet savu galvu, kāju vai jebkuru savu ķermeņa daļu zem darbarīka pamatnes vai aiz zāģa, īpaši, kad zāģējat šķēršām.** Ja ir atsitiens, zāģis var atlēkt atpakaļ virs jūsu rokas, radot smagu traumu.

► Att.4

9. **Nekad nespiediet zāģi. Virziet zāģi uz priekšu tādā ātrumā, lai asmens zāģētu bez palēnināšanās.** Ja spēcīgi spiedīsiet zāģi, zāģējumi būs nevienmērīgi, neprecīzi un radīsies atsitienu risks.

Aizsarga funkcionēšana

1. **Pirms katras lietošanas reizes pārbaudiet, vai apakšējais aizsargs aizveras pareizi. Nelietojiet zāģi, ja apakšējais aizsargs nevirzās brīvi un nekavējoties neaizveras. Nekad nepiestipriniet un nepiesieniet apakšējo aizsargu atvārtā stāvoklī.** Ja zāģis nejausi nokrīt, apakšējais aizsargs var salocīties. Paceliet apakšējo aizsargu ar ievilkšanas rokturi un pārliecinieties, ka tas virzās brīvi un nepieskaras asmenim vai citai daļai visos griezumlaņķos un dziļumos.
2. **Pārbaudiet apakšējā aizsarga atsperes darbību. Ja aizsargs un atspere nedarbojas pareizi, tie pirms lietošanas jāsalabo.** Apakšējais aizsargs var darboties lēni bojātu daļu, sveķu nosedumu vai uzkrājušos gružu dēļ.
3. **Apakšējais aizsargs jāizvelk manuāli tikai īpašas zāģēšanas nolūkā, piemēram, „iezāģējumu” un „kombinētu zāģējumu” gadījumā.** Paceliet apakšējo aizsargu ar ievilkšanas rokturi un, tiklīdz asmens nokļūst materiālā, atlaidiet apakšējo aizsargu. Visu citu zāģēšanas darbu gadījumā apakšējam aizsargam jādarbojas automātiski.
4. **Pirms novietot zāģi uz sola vai grīdas, vienmēr pārbaudiet, vai apakšējais aizsargs nosedz asmeni.** Neaizsargāts asmens, kas kustas pēc inerces, virzīs zāģi atpakaļ, sagriežot visu, kas ir tā ceļā. Atcerieties, ka pēc slēdža atlaišanas asmenim nepieciešams laiks, lai apstātos.
5. **Lai pārbaudītu apakšējo aizsargu, atveriet to ar roku, tad atlaidiet un novērojiet, kā tas aizveras. Pārbaudiet arī, vai ievilkšanas rokturis nepieskaras darbarīka korpusam.** Neaizsegts asmens ir ĻOTI BĪSTAMS un var radīt smagas traumas.

Papildu drošības brīdinājumi

1. **Ievērojiet sevišķu piesardzību, zāģējot mitru koksni, ar spiedienu apstrādātu zāģmateriālu vai zarus.** Noregulējiet zāģēšanas ātrumu tā, lai darbarīks vienmērīgi palielinātu ātrumu, nesamazinot asmens ātrumu un nepieļaujot asmens malu pārkaršanu.
2. **Neņemiet nost sagriezto materiālu, kamēr asmens griežas. Pirms sazāģētā materiāla satveršanas nogaidiet, līdz asmens apstājas.** Asmeņi pēc darbarīka izslēgšanās turpina kustēties pēc inerces.
3. **Negrieziet naglas. Pirms zāģēšanas pārbaudiet, vai zāģmateriālā nav naglu, un tās izņemiet.**
4. **Zāģa pamata platāko daļu novietojiet uz tās apstrādājamā materiāla daļas, kas ir cieši atbalstīta, nevis uz daļas, kas pēc nogriešanas nokrītīs. Ja apstrādājamais materiāls ir īss vai mazs, piestipriniet to. NETURIET ĪSOS GABALUS ROKĀS!**

► Att.5

5. **Pirms nolaist darbarīku, pabeidzot zāģēšanu, pārliecinieties, ka apakšējais aizsargs ir aizvēries un asmens ir pilnībā apstājies.**
6. **Nekad nezāģējiet, ja ripzāģis skrūvspīlēs iestiprināts otrādi. Tas ir ārkārtīgi bīstami un var izraisīt smagus negadījumus.**

► Att.6

7. **Daži materiāli satur ķīmiskas vielas, kas var būt toksiskas. Izvairieties no putekļu ieelpošanas un to nokļūšanas uz ādas. Ievērojiet materiāla piegādātāja drošības datus.**
8. **Nemēģiniet apstādināt asmeņus, no sāniem spiežot uz zāģa asmens.**
9. **Neizmantojiet abrazīvās ripas.**
10. **Izmantojiet tikai tāda diametra zāģa asmeņus, kas ir norādīts uz darbarīka vai rokasgrāmatā.** Izmantojot nepareiza izmēra asmeni, var būt traucēta asmens pareiza aizsardzība vai aizsarga darbība, kas var izraisīt nopietnus ievainojumus.
11. **Uzturiet asmeni asu un tīru.** Ja asmeņiem pielipuši sveķi un koka darva, zāģa darbība kļūst lēnāka un atsitiena risks palielinās. Rūpējieties, lai asmens būtu tīrs, vispirms to noņemot nost no darbarīka, tad notīrot ar sveķu un darvas tīrītāju, karstu ūdeni vai petroleju. Nekad neizmantojiet benzīnu.
12. **Lietojot darbarīku, izmantojiet putekļu masku un ausu aizsargus.**
13. **Vienmēr izmantojiet zāģa asmeni, kas paredzēts materiālam, ko griezīsiet.**
14. **Izmantojiet tikai tādus zāģa asmeņus, kas ir marķēti ar ātrumu, kas ir tāds pats vai lielāks kā uz darbarīka norādītais ātrums.**
15. **(Tikai Eiropas valstīm)**
Vienmēr izmantojiet asmeni, kas atbilst EN847-1 standartam.

SAGLABĀJIET ŠOS NORĀDĪJUMUS.

▲BRĪDINĀJUMS: NEPIEĻAUJIET to, ka labu iemaņu vai izstrādājuma labas pārzināšanas (darbarīku atkārtoti ekspluatējot) rezultātā vairs stingri neievērojāt šī izstrādājuma drošības noteikumus. NEPAREIZI LIETOJOT darbarīku vai neievērojot šajā instrukcijā rokasgrāmatā minētos drošības noteikumus, var tikt gūtas smagas traumas.

FUNKCIJU APRAKSTS

⚠UZMANĪBU:

- Pirms regulējat vai pārbaudāt instrumenta darbību, vienmēr pārliecinieties, vai instruments ir izslēgts un atvienots no barošanas.

Ēvelēšanas dziļuma regulēšana

- **Att.7:** 1. Dziļuma vadītāja 2. Svira

⚠UZMANĪBU:

- Pēc frēzēšanas dziļuma noregulēšanas vienmēr cieši pievelciet sviru.

Atļaidiet dziļuma vadītāja sviru un pamatni pārvietojiet uz augšu vai uz leju. Nostipriniet pamatni vēlamajā frēzēšanas dziļumā, pievelkot sviru.

Lai zāģēšana būtu tīrāka un drošāka, uzstādiet zāģēšanas dziļumu tā, lai ne vairāk kā viens asmens zobs būtu redzams zem apstrādājamā materiāla. Izmantojot pareizu zāģēšanas dziļumu, iespējams samazināt bīstamus ATSITIENUS, kas var izraisīt ievainojumus.

Slīpā zāģēšana

- **Att.8:** 1. Svira 2. Pozitīvais aizturis 3. Bultiņa uz pozitīvā sprūda

Pozitīvais sprūds

Pagrieziet sprūdu tā, lai uz tā esošā bultiņa atrastos vienā no trim pozīcijām (22.5°, 45°, 50°). Tad nolieciet rīka pamatni, līdz tā apstājas, un nostipriniet pamatni ar sviru. Šajā momentā rīks atrodas leņķī, ko norāda bultiņa.

Slīpa griezuma leņķa iestatīšana

Atļaidiet sviru un pagaidām iestatiet rīka pamatni 0° slīpa griezuma leņķī, pēc tam stingri pievelciet sviru. Pagrieziet sprūdu tā, lai uz tā esošā bultiņa atrastos vienā no trim pozīcijām (22.5°, 45°, 50°), kas ir lielāka vai vienāda ar vēlamo slīpā griezuma leņķi.

Atļaidiet sviru un tad nolieciet un stingri nostipriniet rīka pamatni, vēlamajā leņķī.

PIEZĪME:

- Lai nomainītu pozitīvā sprūda pozīciju, atļaidiet sviru un nolieciet rīku slīpā griezuma leņķī, kas ir mazāks par vēlamo pozitīvā sprūda pozīciju.
- Kad pozitīvā sprūda bultiņa ir vērsta pret 22,5, slīpā griezuma leņķi iespējams noregulēt no 0 līdz 22,5°; kad bultiņa ir vērsta pret 45, leņķi var noregulēt no 0 līdz 45°; kad bultiņa ir vērsta pret 50, leņķi var noregulēt no 0 līdz 50°.

Nomērķēšana

- **Att.9:** 1. Pamatne

Lai zāģētu taisni, savietojiet A stāvokli uz pamatnes priekšējās daļas ar vajadzīgo zāģēšanas līniju. Lai zāģētu 45° slīpā leņķī, savietojiet ar to B stāvokli.

Slēdža darbība

- **Att.10:** 1. Slēdža mēlīte

⚠UZMANĪBU:

- Pirms instrumenta pieslēgšanas vienmēr pārbaudiet, vai slēdža mēlīte darbojas pareizi un atgriežas izslēgtā stāvoklī, kad tiek atlaista.

Lai iedarbinātu darbarīku, vienkārši pavelciet slēdža mēlīti. Lai apturētu darbarīku, atļaidiet slēdža mēlīti.

Lampas iedegšana

- **Att.11:** 1. Lampa

⚠UZMANĪBU:

- Neizdariet triecienu uz lampu, jo tādējādi to var sabojāt vai saīsināt ekspluatācijas laiku.
- Neskatieties gaismā, neļaujiet tās avotam iespiēdēt acīs.

Kad rīka kontaktdakša ir iesprausta kontaktligzdā, gaisma iedegas. Lampa deg, kamēr rīks ir pieslēgts strāvai.

Ja lampa nededz, iespējams ir bojāts strāvas vads vai lampa. Lampa deg, bet rīks nedarbojas, kaut arī tas ir ieslēgts; iespējams, ir nodilušas oglekļa birstītes vai ir bojāts motora ieslēgšanas/izslēgšanas slēdzis.

PIEZĪME:

- Ar sausu lupatiņu noslaukiet neīrūmus no lampas lēcas. Izvairieties saskrāpēt lampas lēcu, jo tādējādi tiek samazināts apgaismojums.

MONTĀŽA

⚠UZMANĪBU:

- Vienmēr pārliecinieties, vai instruments ir izslēgts un atvienots no barošanas, pirms veicat jebkādas darbības ar instrumentu.

Sešstūra atslēgas uzglabāšana

- **Att.12:** 1. Sešstūra atslēga 2. Izcilnis

Seškanšu uzgriežņu atslēga ir pievienota rīkam. Lai izņemtu seškanšu uzgriežņu atslēgu, pagrieziet to uz sevi un izvelciet.

Lai ieliktu atpakaļ seškanšu uzgriežņu atslēgu, nolieciet to uz roktura un pagrieziet, līdz tā saskaras ar izvīrījumu uz roktura.

Zāģa asmens noņemšana vai uzstādīšana

- **Att.13:** 1. Sešstūra atslēga 2. Vārpstas bloķētājs

⚠UZMANĪBU:

- Pārbaudiet, vai asmens ir uzstādīts tā, ka zāģa zobi ir vērsti augšup pret darbarīka priekšpusi.
- Asmeni uzstādiet vai noņemiet tikai ar Makita uzgriežņu atslēgu.

Lai izņemtu asmeni, piespiediet vārpstas slēdzi, lai asmens nevarētu griezties, un, izmantojot seškanšu uzgriežņu atslēgu, atskrūvējiet seškanšu skrūvi pretēji pulksteņrādītāja virzienam. Pēc tam izņemiet seškanšu skrūvi, ārējo atloku un asmeni.

Lai uzstādītu asmeni, izpildiet noņemšanas procedūru apgrieztā secībā. PĀRBAUDIET, VAI SEŠŠKAUTŅU SKRŪVE IR CIEŠI PIESKRŪVĒTA PULKSTENRĀDĪTĀJA VIRZIENĀ.

- **Att.14:** 1. Zāga asmens 2. Sešškaitņu bultskrūve
3. Ārējais atloks 4. Iekšējais atloks
5. Gredzens

Nomainot asmeni, noteikti noīriet arī uzkrājušās zāgu skaidas no augšējā un apakšējā asmens aizsarga, kā aprakstīts sadaļā „Apkope”. Šis darbtības nevar aizvietot apakšējā aizsarga darbtības pārbaudi pirms katras ekspluatācijas reizes.

Putekļsūcēja pievienošana

Papildu piederumi

- **Att.15:** 1. Putekļsūcējs

Ja zāgējot vēlaties saglabāt tīrību, darbarīkam pievienojiet Makita putekļu sūcēju. Ar skrūvēm pie darbarīka pieskrūvējiet savienojumu. Tad pie savienojuma pievienojiet putekļu sūcēja šļūteni, kā attēlots zīmējumā.

EKSPLUATĀCIJA

⚠UZMANĪBU:

- Rūpējieties, lai darbarīks uzmanīgi virzītos uz priekšu. Ja darbarīku spēcīgi spiedīsiet vai grozīsiet, motors var pārkarst un iespējams radīt bīstamu atsitienu, kas var izraisīt nopietnus ievainojumus.

- **Att.16:** 1. Aizmugurējais rokturis 2. Priekšējais rokturis 3. Pamatne

Vienmēr izmantojiet priekšējo skavu un aizmugurējo rokturi, lai darbtības laikā pieturētu rīku. Rīks ir aprīkots ar priekšējo skavu un aizmugurējo rokturi. Turot zāģi ar abām rokām, tās nevar sagriezt ar asmeni. Novietojiet rīku pamatni uz apstrādājamā materiāla, lai tam nepie-skartos asmens. Tad ieslēdziet rīku un pagaidiet, kamēr asmens uzņem ātrumu. Tagad vienkārši virziet rīku pa apstrādājamā materiāla virsmu, turot to līdzenu un nodrošinot vienmērīgu griezumu visā garumā. Lai iegūtu tīru griezumu, griešanas līnijai ir jābūt taisnai, bet griešanas ātrumam - vienmērīgam. Ja griezums tomēr netiek veikts pa taisnu līniju, nemēģiniet ar spēku pagriezt asmeni atpakaļ uz taisnās līnijas. Tādā veidā iespējams saliekt asmeni, izraisīt bīstamu atsitienu un nopietnus savainojumus. Atlaidiet slēdzi, pagaidiet, kamēr asmens apstājas un tad paceliet rīku. Novietojiet rīku uz jaunas griešanas līnijas un sāciet griezt vēlreiz. Izvairieties no tāda novietojuma, kad operators ir pakļauts zāģa radīto skaidu un koka putekļu ietekmei. Lai izvairītos no savainojumiem, lietojiet acu aizsargu.

Garenfrēzēšanas ierobežotājs (vadotnes lineāls) (papildpiederums)

- **Att.17:** 1. Garenzāģēšanas ierobežotājs (vadotnes lineāls)

Parocīgais garenzāģēšanas ierobežotājs ļauj zāģēt ļoti precīzi. Vienkārši pabīdīet garenzāģēšanas ierobežotāju cieši klāt apstrādājamā materiāla malai un nostipriniet to paredzētajā vietā ar pamatnes priekšējā daļā esošo skrūvi. Tas ļauj arī zāģēt atkārtoti vienāda platumā.

APKOPE

⚠UZMANĪBU:

- Pirms veicat pārbaudi vai apkopi vienmēr pārliecinieties, vai instruments ir izslēgts un atvienots no barošanas.
- Notīriet arī uzkrājušās zāgu skaidas no augšējā un apakšējā asmens aizsarga, jo tās var traucēt apakšējās aizsargsistēmas darbību.** Netīra aizsargsistēma var ierobežot pareizu darbību, kas var izraisīt nopietnus ievainojumus. Visefektīvāk šo tīrīšanu ir veikt ar saspiešu gaisu. **Ja zāģa skaidas tiek izpūstas no aizsargiem, noteikti izmantojiet piemērotu acu un elpošanas aizsardzību.**
- Nekad neizmantojiet gazoļīnu, benzīnu, atšķaidītajū, spirtu vai līdzīgus šķidrums. Tas var radīt izbalēšanu, deformāciju vai plaisas.

Regulēšana precīzai 90° frēzēšanai (vertikālā frēzēšana)

Šis elements ir noregulēts rūpnīcā. Taču, ja tas ir izslēgts, ar sešškaitņu uzgriežņu atslēgu noregulējiet regulēšanas skrūvi, ar leņķmēru, leikālu, u.c. saskaņojot asmeni ar pamatni.

- **Att.18:** 1. Pamatne 2. Regulēšanas skrūve

- **Att.19:** 1. Leņķmērs

Ogles suku nomaņa

- **Att.20:** 1. Robežas atzīme

Regulāri izņemiet un pārbaudiet ogles suku. Kad ogles suku ir nolietojušās līdz robežas atzīmei, nomainiet tās. Turiet ogles suku tīras un pārbaudiet, vai tās var brīvi ieiēt turekļos. Abas ogles suku ir jānomaina vienlaikus. Izmantojiet tikai identiskas ogles suku. Noņemiet suku turekļa vāciņus ar skrūvgrieža palīdzību. Izņemiet nolietojušās ogles suku, ievietojiet jaunas un nostipriniet suku turekļa vāciņus.

- **Att.21:** 1. Suku turekļa vāks 2. Skrūvgriezis

Lai saglabātu produkta DROŠU un UZTICAMU darbību, remontdarbus, apkopi un regulēšanu uzticiet veikt tikai Makita pilnvarotam apkopes centram un vienmēr izmantojiet tikai Makita rezerves daļas.

Tikai modelim 5008MGA

Pēc suku nomainīšanas pievienojiet darbarīku barošanas avotam un, darbinot to bez noslodzes apmēram 10 minūtes, ļaujiet sukām iestrādāties. Pēc tam pārbaudiet darbarīku, kamēr tas darbojas, kā arī elektrobremžu darbību, atlaižot slēdža mēlīti. Ja elektrobremzes nedarbojas labi, lūdziet vietējam Makita apkopes centram tās salabot.

PAPILDU PIEDERUMI

UZMANĪBU:

- Šādi piederumi un rīki tiek ieteikti lietošanai ar šajā pamācībā aprakstīto Makita instrumentu. Jebkādu citu piederumu un rīku izmantošana var radīt traumu briesmas. Piederumu vai rīku izmantojiet tikai tā paredzētajam mērķim.

Ja jums vajadzīga palīdzība vai precīzāka informācija par šiem piederumiem, vērsieties savā tuvākajā Makita apkopes centrā.

- Zāģa asmeņi ar tērauda un karbīda uzgaļiem

Kombinācija	Vispārējā nolūka asmens ātrai un līdzenai griešanai, šķērsgriezumiem un diagonāliem.
Apstrādāti ar spiedienu/ slāpji kokmateriāli	Ar presi apstrādātu un slāpju kokmateriālu ātrai griešanai.
Smalki šķērsgriezumi	Griezumiem pret šķiedru bez skaidām.

- Garenzāģēšanas ierobežotājs (vadotnes lineāls)
- Seššķautņu uzgriežņu atslēga
- Putekļu uzgalis (pievienots)

PIEZĪME:

- Daži sarakstā norādītie izstrādājumi var būt iekļauti instrumenta komplektācijā kā standarta piederumi. Tie dažādās valstīs var būt atšķirīgi.

SPECIFIKACIJOS

Modelis	5008MG / 5008MGA		
Pjovimo disko skersmuo	210 mm		
Didž. pjovimo gylis	90° kampu	75,5 mm	
	45° kampu	57 mm	
	50° kampu	51,5 mm	
Greitis be apkrovos (min ⁻¹)	5 200		
Bendras ilgis	332 mm		
Neto svoris	4,8 kg		
Saugos klasė	□/II		

- Atliekame tęsinius tyrimus ir nuolat tobuliname savo gaminius, todėl čia pateikiamos specifikacijos gali būti keičiamos be įspėjimo.
- Skirtingose šalyse specifikacijos gali skirtis.
- Svoris pagal EPTA 2014 m. sausio mėn. procedūrą

Numatytoji paskirtis

Šis įrankis skirtas tiesiems ir nuožambiams pjūvims įvairiais kampais išilgai ir skersai pjauti, įrankiu tvirtai spaudžiant ruošinį. Naudojant tinkamus originalius „Makita“ pjovimo diskus, taip pat galima pjauti ir kitas medžiagas.

Maitinimo šaltinis

Šį įrankį reikia jungti tik prie tokio maitinimo šaltinio, kurio įtampa atitinka nurodytąją įrankio duomenų plokštelėje; galima naudoti tik vienfazį kintamosios srovės maitinimo šaltinį. Jie yra dvigubai izoliuoti, todėl gali būti naudojami prijungus prie elektros lizdų be atžeminimo laido.

Skirtas viešosioms skirstomosioms žemos įtampos sistemoms tarp 220 V ir 250 V.

Elektrinių įrenginių įjungimas sukelia įtampos svyravimus. Šio įrenginio naudojimas nepalankiomis elektros tinklo sąlygomis gali daryti įtaką kitos įrangos darbui. Kai pilnutinė jėgimo varža yra lygi ar mažesnė negu 0,37 omų, galima manyti, kad nebus jokio neigiamo poveikio. Šiam įrankiui naudojamas elektros tinklo lizdas turi būti apsaugotas saugikliu arba apsauginiu grandinės nutraukikliu su lėto suveikimo charakteristika.

Triukšmas

Tipiškas A svertinis triukšmo lygis nustatytas pagal EN62841:

- Garso slėgio lygis (L_{pA}): 95 dB (A)
- Garso galios lygis (L_{WA}): 106 dB (A)
- Paklaida (K): 3 dB (A)

Dėvėkite ausų apsaugas

Vibracija

Vibracijos bendroji vertė (trijų ašiu vektorinė suma) nustatyta pagal EN62841:

- Darbo režimas: medžio pjovimas
- Vibracijos emisija ($a_{h,W}$): 3,0 m/s²
- Paklaida (K): 1,5 m/s²
- Darbo režimas: metalo pjovimas
- Vibracijos emisija ($a_{h,M}$): 3,0 m/s²
- Paklaida (K): 1,5 m/s²

PASTABA: Paskelbtasis vibracijos emisijos dydis nustatytas pagal standartinį testavimo metodą ir jį galima naudoti vienam įrankiui palyginti su kitu.

PASTABA: Paskelbtasis vibracijos emisijos dydis taip pat gali būti naudojamas preliminariai įvertinti vibracijos poveikį.

⚠️ ĮSPĖJIMAS: Faktiškai naudojant elektrinį įrankį, keliamos vibracijos dydis gali skirtis nuo paskelbtąjo dydžio, priklausomai nuo būdų, kuriais yra naudojamas šis įrankis.

⚠️ ĮSPĖJIMAS: Siekiant apsaugoti operatorių, būtina įvertinkite saugos priemones, remdamiesi vibracijos poveikio įvertinimu esant faktinėms naudojimo sąlygoms (atsižvelgdami į visas darbo ciklo dalis, pavyzdžiui, ne tik kiek laiko įrankis veikia, bet ir kiek kartų jis yra išjungiamas bei kai jis veikia be apkrovų).

EB atitikties deklaracija**Tik Europos šalims**

EB atitikties deklaracija yra pridedama kaip šio instrukcijų vadovo A priedas.

Bendrieji įspėjimai dirbant elektriniais įrankiais

⚠️ ĮSPĖJIMAS: Perskaitykite visus saugos įspėjimus, instrukcijas, iliustracijas ir techninius duomenis, pateiktus kartu su šiuo elektriniu įrankiu. Nesilaikant visų toliau išvardytų instrukcijų galima patirti elektros smūgį, gali kilti gaisras ir (arba) galima sunkiai susižaloti.

Išsaugokite visus įspėjimus ir instrukcijas, kad galėtumėte jas peržiūrėti ateityje.

Terminas „elektrinis įrankis“ pateiktuose įspėjimuose reiškia į maitinimo tinklą jungiamą (laidinį) elektrinį įrankį arba akumulatoriaus maitinamą (belaidį) elektrinį įrankį.

Išpėjimai dėl diskinio pjūklo saugos

Pjovimo darbų tvarka

1. **⚠️ PAVOJUS:** rankas laikykite kuo toliau nuo pjovimo vietos ir geležtės. Kitą ranką laikykite ant pagalbines rankenos arba variklio korpuso. Jei pjūklą laikysite abiem rankomis, geležtė negalės jų įpjauti.
 2. **Nekiškite rankų po ruošiniu.** Po ruošiniu apsauginis įtaisas negali apsaugoti jūsų nuo geležtės.
 3. **Pjovimo gylį sureguliuokite pagal ruošinio storį.** Po ruošiniu turi matytis mažiau nei vienas visas geležtės dantis.
 4. **Pjaudami ruošinio jokiū būdu nelaikykite rankose ar tarp kojų.** Ruošinį pritvirtinkite prie stabilaus darbatalio. Labai svarbu tinkamai parenti ruošinį, kad kiltų kuo mažiau pavojų kūniui, kad nelinktų diskas ir kad neparastumėtė kontrolės.
- **Pav.1**
5. **Atlikdami darbus, kurių metu tvirtinimo detalė gali paliesti paslėptus laidus, laikykite pjovimo įrankį tik už izoliuotų, laikyti skirtų paviršių.** Jei tvirtinimo detalės palies laidą su įtampa, elektrinio įrankio metalinėmis dalimis taip pat gali imti tekėti srovė, todėl operatorius gali patirti elektros šoką.
 6. **Darydami prapjovimo darbus, visuomet naudokite prapjovos kreiptuvą arba tiesią krašto kreipiamąją.** Taip pjūvis bus tikslesnis ir sumažės tikimybė, kad geležtė užstrigs ruošinyje.
 7. **Diskus naudokite tik su tinkamo dydžio ir formos (deimantinėmis ar apvaliomis) angomis.** Diskai, kurie netinka montavimo pjūkle įtaisams, slinks nuo centro į šalis, todėl nesuvaldysite įrankio.
 8. **Niekada nenaudokite apgadintų arba netinkamų geležtės poveržlių arba varžto.** Geležtės poveržlės ir varžtai specialiai pagaminti šiam pjūklui, kad jis būtų optimaliai našus ir saugus.

Atatranks priešzastys ir su ja susiję išpėjimai

- atatranka yra staigi reakcija į pjūklo disko įstrigimą, sulinkimą ar išsiderinimą, dėl kurių nevaldomas pjūklas pakyla ir iššoka iš ruošinio operatoriaus link;
- jei diskas įstringa arba smarkiai sulinksta užsidarant įpjovai, diskas stringa, o variklio reakcija staigiai nukreipia įrankį operatoriaus link;
- Jei geležtė susisuka arba išsiderina įpjovoje, galinėje geležtės briaunoje esantys dantukai gali įlįsti į medienos paviršių ir todėl geležtė iššoks iš įpjovos operatoriaus link.

Atatranka yra piktnaudžiavimo pjūklui ir (arba) netinkamų darbo procedūrų ar sąlygų rezultatas, jos galima išvengti vadovaujantis toliau nurodytomis atsargumo priemonėmis.

1. **Tvirtai laikykite pjūklą abiem rankomis, rankas laikykite taip, kad jos atlaikytų atatranksos jėgą.** Stovėkite bet kurioje geležtės pusėje, bet ne vienoje linijoje su ja. Dėl atatranksos pjūklas gali atšokti atgal, bet operatorius gali valdyti atatranksos jėgą, jei imasi reikiamų atsargumo priemonių.
2. **Jei geležtė sulinksta arba pjovimas pertraukiamas dėl kitos priežasties, atleiskite gaiduką ir nejudinkite pjūklo ruošinyje, kol geležtė visiškai nesustos.** Jokiū būdu nemėginkite ištraukti pjūklo iš ruošinio arba traukti pjūklo atgal, kol geležtė juda, antraip įvyks atatranka. Apžiūrėkite ir imkitės priemonių geležtės sulinkimo priežasčiai pašalinti.

3. **Istatydami pjūklą atgal į ruošinį, pjūklo diską įstatykite įpjovos centre taip, kad pjūklo dantukai nebūtų įstrigę ruošinyje.** Jei pjūklo diskas linksta, jis gali pakilti arba iššokti iš ruošinio vėl įjungus pjūklą.
4. **Dideles plokštes paremkite ir taip sumažinkite pavojų, kad geležtė bus suspausta ir iššoks.** Didelės plokštes linksta dėl savo pačių svorio. Atramas reikia dėti po plokštę iš abiejų pusių, netoli pjovimo linijos ir greta plokštės briaunos.

► Pav.2

► Pav.3

5. **Nenaudokite atšipusių ar sugadintų geležčių.** Naudojant nepagaląstas arba netinkamai nustatytas geležtes gaunama siaura įpjova, dėl to padidėja trintis, linksta geležtė ir kyla atatranka.
 6. **Prieš atliekant pjūvį, geležtės gylio ir nuožulnumo reguliavimo-fiksavimo svirtys turi būti gerai pritvirtintos ir priveržtos.** Jei geležtės reguliavimas pasikeis pjaunant, geležtė gali sulinkti ar iššokti.
 7. **Būkite ypač atsargūs, kai darote pjūvius sienose arba kitose aklinese vietose.** Išsikišusi geležtė gali pataikyti į objektus ir nuo jų atšokti.
 8. **VISUOMET tvirtai laikykite įrankį abiem rankomis. NEDĖKITE rankų, kojų ar kitos kūno dalies po įrankio pagrindu ar už pjūklo, ypač darydami kryžminius pjūvius.** Įvykus atatrankai, pjūklas gali atšokti atgal per jūsų ranką ir sunkiai sužaloti.
- **Pav.4**
9. **Nedirbkite pjūklui per jėgą. Stumkite pjūklą tokiu greičiu, kad geležtė pjautų nelėtėdama.** Spaudžiant pjūklą, galimi nelygūs pjūviai, tikslumo sumažėjimas ir atatranka.

Apsauginio skydo veikimas

1. **Prieš kiekvieną naudojimą patikrinkite, ar apatinis apsauginis įtaisas tinkamai užsidaro. Nenaudokite pjūklo, jei apatinis apsauginis įtaisas nejuda laisvai ir neužsidaro iš karto.** Jokiū būdu neįtvirtinkite ir nepriškite apatinio apsauginio įtaiso atvirroje padėtyje. Jei pjūklas netyčia išmetamas, apatinis apsauginis įtaisas gali sulinkti. Pakelkite apatinį apsauginį įtaisą atitraukiamo rankena ir įsitinkinkite, ar jis laisvai juda ir neliečia geležtės ar kitos dalies, esant bet kokiam pjūvio kampui ir gyliui.
2. **Patikrinkite apatinio apsauginio įtaiso spyruoklės veikimą. Jei apsauginis įtaisas ir spyruoklė neveikia tinkamai, prieš naudojimą juos reikia sutvarkyti.** Apatinis apsauginis įtaisas gali veikti lėtai dėl pažeistų dalių, lipnių nuosėdų ar susikaupusių nešvarumų.
3. **Apatinį apsauginį įtaisą galima įtraukti ranka, bet tik atliekant specialius pjovimo darbus, pvz., gilius pjūvius arba sudėtinus pjūvius.** Nuleiskite apatinį apsauginį įtaisą įtraukimo rankena, o kai tik diskas įpjaus medžiagą, paleiskite apatinį apsauginį įtaisą. Darant kitus pjūvius, apatinė apsauga turi veikti automatiškai.
4. **Prieš dėdami pjūklą ant suolo ar grindų, patikrinkite, ar apatinis apsaugos įtaisas uždengia geležtę.** Neapsaugota iš inercijos judanti geležtė privers pjūklą važiuoti atgal, pjaunant viską savo kelyje. Atkreipkite dėmesį į laiką, kurio reikia, kad geležtė sustotų atleidus jungiklį.
5. **Norėdami patikrinti apatinį apsaugos įtaisą, atidarykite apatinį apsaugos įtaisą ranka, tuomet atleiskite ir stebėkite, kaip jis užsidaro.** Taip pat patikrinkite, ar atitraukimo rankenėlė neliečia įrankio korpuso. Palikti diską atvirą LABAI PAVOJINGA, galima sunkiai susižaloti.

Papildomi įspėjimai dėl saugos

1. Būkite ypač budrūs, kai pjaunate drėgną medieną, suslėgtus rąstus arba medį su šakomis. Vienodu greičiu stumkite įrankį pirmyn, nemažindami pjūklo greičio, kad neperkaistų pjūklo galiukai.
2. **Nemėginkite nuimti atpjautos medžiagos geležtei judant. Prieš imdami nupjautą medžiagą, palaukite, kol geležtė sustos.** Išjungus įrankį, geležtės dar sukasi iš inercijos.
3. **Nepjaukite vinių. Prieš pjaudami apžiūrėkite medieną ir išimkite visas vinis.**
4. **Platesnę pjūklo pagrindo dalį dėkite ant tos ruošinio dalies, kuri gerai paremta, o ne ant tos, kuri nukris baigus pjauti. Jei ruošinys trumpas arba smulkus, suspauskite jį spaustuvais. NEMĖGINKITE LAIKYTI TRUMPO RUOŠINIO RANKA!**

► Pav.5

5. **Prieš pastatydami įrankį, kai baigėte pjauti, įsitikinkite, ar apatinis apsauginis įtaisas užsidarė, o geležtė visiškai sustojė.**
6. **Nemėginkite pjauti apskritu pjūklų apvertę jį spaustuvuose. Tai ypač pavojinga, todėl gali įvykti sunkus nelaimingas atsitikimas.**

► Pav.6

7. **Kai kuriose medžiagose esama cheminių medžiagų, kurios gali būti nuodingos. Saugokitės, kad neįkvėptumėte dulkių ir nesiliestumėte oda. Laikykites medžiagų tiekėjo saugos duomenų.**
8. **Nestabdykite spausdamai pjūklo geležtę iš šono.**
9. **Nenaudokite šlifuojamųjų diskų.**
10. **Naudokite tik tokio skersmens pjovimo diską, koks yra nurodytas ant įrankio arba naudojimo instrukcijoje. Naudojant netinkamo dydžio geležtę, ji gali būti netinkamai apsaugota arba netinkamai veiks apsauginis jos gaubtas, todėl galima sunkiai susižeisti.**
11. **Geležtė turi būti aštri ir švari. Ant geležtės esančios sukietėję sakai ar derva sulėtina pjovimą ir didina atatrakos pavojų. Valykite geležtę pirmiausia išimdami ją iš įrankio, tada nuvalydami sakų ir dervos šalinimo priemone, karštu vandeniu ar žibalu. Nenaudokite benzino.**
12. **Naudodami įrankį, užsidėkite kaukę, saugančią nuo dulkių, ir klausos apsaugines priemones.**
13. **Visada naudokite pjaunamai medžiagai tinkamą pjūklo diską.**
14. **Naudokite tik tuos pjūklo diskus, ant kurių nurodytas sukimosi greitis prilygsta arba viršija ant įrankio nurodytą sukimosi greitį.**
15. **(Tik Europos šalims) Naudokite tik pjovimo diskus, kurie atitinka EN847-1.**

SAUGOKITE ŠIAS INSTRUKCIJAS.

▲ISPĖJIMAS: NELEISKITE, kad patogumas ir gaminio pažinimas (igyjamas pakartotinai naudojant) susilpnintų griežtą saugos taisyklių, taisytinių šiam gaminiui, laikymąsi. Dėl **NETINKAMO NAUDOJIMO** arba saugos taisyklių, kurios pateiktos šioje instrukcijoje, nesilaikymo galima rimtai susižeisti.

VEIKIMO APRAŠYMAS

▲PERSPĖJIMAS:

- Prieš reguliuodami įrenginį arba tikrindami jo veikimą visada patikrinkite, ar įrenginys išjungtas, o laido kištukas - ištrauktas iš elektros lizdo.

Pjovimo gylio reguliavimas

► **Pav.7:** 1. Gylio kreiptuvas 2. Svirtelė

▲PERSPĖJIMAS:

- Nustatę pjovimo gylį, visada saugiai užtvirtinkite svirtelę.

Atlaisvinkite ant gylio kreiptuvo esančią svirtelę ir slinkite pagrindą aukštyn arba žemyn. Nustatę norimą pjovimo gylį, užtvirtinkite pagrindą, užverždami svirtelę. Norėdami pjauti švariau ir saugiau, nustatykite tokį pjovimo gylį, kad į ruošinį įeitų tik vienas disko dantis. Tinkamo pjovimo gylio pasirinkimas padeda sumažinti galimą ATATRANKOS pavojų, dėl kurios galima susižeisti.

Įstrižųjų pjūvių darymas

► **Pav.8:** 1. Svirtelė 2. Teigiamas stabdiklis 3. Rodyklė ant teigiamo kaiščio

Teigiamas kaištis

Teigiamą kaištį pasukite taip, kad ant jo esanti rodyklė būtų nukreipta į vieną iš trijų padėčių (22,5°, 45°, 50°). Tada kreipkite įrankio pagrindą tol, kol jis sustos ir suveržkite svirtelę. Dabar kampas bus toks, kokį rodo rodyklė.

Įstrižojo kampo nustatymas

Atlaisvinkite svirtelę ir įrankio pagrindą nustatykite apytiksliai ties 0° dydžio įstrižuojų kampu, tada tvirtai suveržkite svirtelę.

Teigiamą kaištį pasukite taip, kad ant jo esanti rodyklė būtų nukreipta į vieną iš trijų padėčių (22,5°, 45°, 50°), kuri sutaptų su norimo nustatyti įstrižojo kampo dydžiu arba jį viršytų.

Vėl atlaisvinkite svirtelę, o tada kreipkite įrankio pagrindą ir nustatę norimą kampą tvirtai suveržkite.

PASTABA:

- Kaiščio padėčių skaičius leidžia keisti teigiamo kaiščio padėtį, atlaisvinti svirtelę ir kreipiant nustatyti mažesnę nei norimą įstrižąjį kampą.
- Kai ant teigiamo kaiščio esanti rodyklė nukreipta į „22,5“, įstrižasis kampas gali būti reguliuojamas tarp 0-22,5°; kai rodyklė nukreipta į „45“, jis gali būti reguliuojamas tarp 0-45°; kai rodyklė nukreipta į „50“, jis gali būti reguliuojamas tarp 0-50°.

Nutaiikymas

► **Pav.9:** 1. Pagrindas

Tiesiems pjūviams, sulygiuokite pagrindo priekyje pažymėtą „A“ padėtį su pjovimo linija. Įstrižiams 45° pjūviams, su pjovimo linija su lygiuokite „B“ padėtį.

Jungiklio veikimas

► **Pav.10:** 1. Gaidukas

▲ PERSPĖJIMAS:

- Prieš jungdami įrenginį visada patikrinkite, ar jungiklis gerai išjungia, o atleistas grįžta į padėtį OFF (išjungta).

Norėdami pradėti dirbti įrankiu tiesiog paspauskite gaiduką. Norėdami sustabdyti, atleiskite gaiduką.

Lemputės įjungimas

► **Pav.11:** 1. Lempa

▲ PERSPĖJIMAS:

- Nespaukite ir netrankykite lempučių, nes galite ją sugadinti arba sutrumpinti jos tarnavimo laiką.
- Nežiūrėkite tiesiai į šviesą arba šviesos šaltinį.

Įjungus įrankį, užsidega lempučių. Lempučių dega tol, kol įrankis įjungtas.

Jei lempučių neužsidega, gali būti pažeistas maitinimo laidas arba sugedusi lempučių. Lempučių užsidega, bet įrankis nepasileidžia, net jei įjungus (gali būti susidėvėję angliniai šepetėliai arba sugedęs variklis ar jungiklis „Įjungti / Išjungti“).

PASTABA:

- Nešvarumus nuo lempos lęšio valykite sausu audiniu. Stenkitės nesubraižyti lempos lęšio, kad nepablogėtų apšvietimas.

SURINKIMAS

▲ PERSPĖJIMAS:

- Prieš taisydami įrenginį visada patikrinkite, ar jis išjungtas, o laido kištukas - ištrauktas iš elektros lizdo.

Šešiabriaunio veržliarakčio laikymas

► **Pav.12:** 1. Šešiabriaunis veržliaraktis 2. Išsikišimas

Šešiabriaunis veržliaraktis laikomas ant įrankio.

Norėdami nuimti šešiabriaunį veržliarakčį, pasukite jį į save ir ištraukite.

Norėdami šešiabriaunį veržliarakčį įstatyti, uždėkite jį ant rankenos ir sukite kol susilies su ant rankenos esančiu išsikišimu.

Pjovimo disko sumontavimas arba nuėmimas

► **Pav.13:** 1. Šešiabriaunis veržliaraktis 2. Ašies fiksiatorius

▲ PERSPĖJIMAS:

- Patikrinkite, ar sumontuotos geležtės dantys įrankio priekyje nukreipti aukštyn.
- Pjovimo disko sumontavimui arba nuėmimui naudokite tik „MAKITA“ veržliarakčį.

Norėdami nuimti pjovimo diską, paspauskite veleno užraktą taip, kad diskas negalėtų sukintis ir šešiabriaunio veržliarakčiu sukdamį prieš laikrodžio rodyklę atlaisvinkite šešiabriaunį varžtą. Tada nuimkite šešiabriaunį varžtą, išorinę jungę ir pjovimo diską. Jei norite sumontuoti diską, vykdykite nuėmimo procedūrą atvirkščia tvarka. PATIKRINKITE, AR SAUGIAI UŽVERŽĖTE ŠEŠIAKAMPĮ VARŽTĄ, SUKdami PAGAL LAIKRODŽIO RODYKLĘ.

► **Pav.14:** 1. Pjovimo diskas 2. Šešiakampis varžtas 3. Išorinė tarpinė 4. Vidinis kraštas 5. Žiedas

Keisdami diską, būtinai išvalykite ir viršutiniame bei apatiniame apsauginiame disko gaubtuose susikauptusias pjūvenas, kaip nurodyta techninės priežiūros skyriuje. Visgi prieš kiekvieną naudojamą būtinai patikrinkite, ar tinkamai veikia apatinis apsauginis gaubtas.

Dulkių siurblio prijungimas

Pasirenkamas priedas

► **Pav.15:** 1. Dulkių siurblys

Norėdami atlikti švartų pjovimo operaciją, prie šio įrankio prijunkite „MAKITA“ dulkių siurbli. Varžtas prie įrankio prisukite jungtį. Tuomet prie jungties prijunkite dulkių siurblio žarną, kaip parodyta piešinyje.

NAUDOJIMAS

▲ PERSPĖJIMAS:

- Atsargiai tiesiai traukite įrankį į priekį. Traukiant jėga arba sukant įrankį, variklis gali perkaisti, atsirasti pavojinga atitranka, kuri kelia pavojų sunkiai susižeisti.

► **Pav.16:** 1. Galinė rankena 2. Priekinė rankena 3. Pagrindas

Atlikdami darbus, visada naudokite priekinę ir galinę rankenas ir įrankį laikykite tvirtai už jų paėmę. Įrankis yra aprūpintas tiek priekine, tiek galine rankenomis. Jei pjūklą laikysite abiejomis rankomis, jų nenusipjausite pjovimo disku. Padėkite pagrindą ant apdorojamos medžiagos dalies, kurią reikia pjauti, taip, kad pjovimo diskas su ja nesiliestų. Tada įjunkite įrankį ir palaukite kol diskas pradės sukintis maksimaliu greičiu. Dabar paprasčiausiai apdorojamos medžiagos dalies paviršiumi stumkite įrankį pirmyn, jį laikydami lygiai ir glotniai slinkdami į priekį tol, kol baigsite pjauti. Kad pjūviai išeitų tiesūs, laikykites tiesios pjovimo linijos ir į priekį slinkite tolygiai. Jei pjaudami nukrypote nuo numatytos pjovimo linijos ir norite į ją sugrįžti, nebandykite to daryti įrankį sukdamį per jėgą. Taip darant pjovimo diskas gali pradėti strigti, kas gali sukelti pavojingą atitranką ar net rimtai sužeisti. Išjunkite jungiklį, palaukite kol pjovimo diskas sustos ir tada atitraukite įrankį. Perrikuokite įrankį prie naujos linijos ir pjaukite vėl. Stenkitės išvengti tokių padėčių, kuriose vartotojas lieka neapsaugotas nuo iš pjūklo išmetamų drožlių ir medžio dulkių. Norėdami labiau išvengti sužeidimų, naudokite akių apsaugą.

Prapjovos kreiptuvas (kreipiamoji liniuotė) (papildomas priedas)

► **Pav.17:** 1. Prapjovos kreiptuvas (kreipiamoji liniuotė)

Patogus prapjovos kreiptuvas leidžia atlikti labai tikslius tiesius pjūvius. Tiesiog priglauskite prapjovos kreiptuvą prie ruošinio šono ir pagrindo priekyje esančiu varžtu užtvirtinkite jį tokioje padėtyje. Šis įrengimas leidžia atlikti vienodo pločio pjūvius.

TECHINĖ PRIEŽIŪRA

▲ PERSPĖJIMAS:

- Prieš apžiūrėdami ar taisydami įrenginį visada patikrinkite, ar jis išjungtas, o laido kištukas - ištrauktas iš elektros lizdo.
- **Išvalykite viršutinį ir apatinį apsauginius diskus, kad juose neliktų susikaupusių pjūvenų, galinčių trukdyti tinkamai veikti apatinei disko apsaugos sistemai.** Nešvari apatinė disko apsaugos sistema gali trukdyti tinkamam darbui, todėl galima sunkiai susižeisti. Norint išvalyti efektyviausiai, reikia naudoti suslėgtą orą. **Pučiant pjūvenas iš apsauginių gaubtų, būtina naudoti tinkamą akių ir kvėpavimo organų apsaugą.**
- Niekada nenaudokite gazolino, benzino, tirpiklio, spirito arba panašių medžiagų. Gali atsirasti išblukimų, deformacijų arba įtrūkimų.

90° kampo (vertikalaus) pjūvio tikslumo nustatymas

Šis nustatymas atliktas gamykloje. Tačiau, jeigu jis neveikia, šešiakampių veržliarakčių pareguliuokite reguliavimo varžtą, trikampės liniuotės, keturkampio ir pan. įrankių pagalba nustatę geležtę ir pagrindą stačiu kampu.

► **Pav.18:** 1. Pagrindas 2. Reguliavimo varžtas

► **Pav.19:** 1. Trikampė liniuotė

Anglinių šepetėlių keitimas

► **Pav.20:** 1. Ribos žymė

Periodiškai išimkite ir patikrinkite anglinius šepetėlius. Pakeiskite juos, kai nusidėvi iki ribos žymės. Laikykite anglinius šepetėlius švarius ir laisvai įslenkančius į laikiklius. Abu angliniai šepetėliai turėtų būti keičiami tuo pačiu metu. Naudokite tik identiškus anglinius šepetėlius.

Jei norite nuimti šepetėlių laikiklių dangtelius, pasinaudokite atsuktuvu. Išimkite sudėvėtus anglinius šepetėlius, įdėkite naujus ir įtvirtinkite šepetėlį laikiklio dangtelį.

► **Pav.21:** 1. Šepetėlio laikiklio dangtelis 2. Atsuktuvus

Kad gaminys būtų SAUGUS ir PATIKIMAS, jį taisyti, apžiūrėti ar vykdyti bet kokią kitą priežiūrą ar derinimą turi įgaliotasis kompanijos „Makita“ techninės priežiūros centras; reikia naudoti tik kompanijos „Makita“ pagamintas atsargines dalis.

Tik modeliui 5008MGA

Pakeitę šepetėlius, įjunkite įrankį į elektros lizdą ir parenkite šepetėlius, leisdami įrankiui veikti maždaug 10 minučių be apkrovos. Po to apžiūrėkite veikiančią įrankį ir patikrinkite elektrinio stabdžio veikimą, atleidę gaiduką. Jei elektrinis stabdys veikia netinkamai, kreipkitės į „Makita“ techninio aptarnavimo centrą, kad jį pataisytų.

PASIRENKAMI PRIEDAI

▲ PERSPĖJIMAS:

- Su šiaime vadove aprašytu įrenginiu „Makita“ rekomenduojama naudoti tik nurodytus priedus ir papildomus įtaisus. Jeigu bus naudojami kito-kie priedai ar papildomi įtaisai, gali būti sužaloti žmonės. Priedus arba papildomus įtaisus naudokite tik pagal paskirtį.

Jeigu norite daugiau sužinoti apie tuos priedus, kreipkitės į artimiausią „Makita“ techninės priežiūros centrą.

- Plieniniai pjovimo diskai ir diskai su karbidu padengtais galais

Kombinacija	Bendrosios paskirties geležtė greitam ir lygiam režimui, pjovimui skersai ir įstrižai.
Presuota / drėgna mediena	Skirtas greitam presuotos ir drėgnos medienos pjaustymui.
Puikūs skersiniai pjūviai	Dėl funkcijos „sand-free“ tiesiai pjausta granuliuotas struktūras.

- Prapjovos kreiptuvas (kreipiamoji liniuotė)
- Šešiakampis veržliaraktis
- Dulkių antgalis (prijungiamas)

PASTABA:

- Kai kurie sąrašė esantys priedai gali būti pateikti įrankio pakuotėje kaip standartiniai priedai. Jie įvairiose šalyse gali skirtis.

TEHNILISED ANDMED

Mudel	5008MG / 5008MGA		
Tera läbimõõt	210 mm		
Max löikesügavus	90° nurga juures	75,5 mm	
	45° nurga juures	57 mm	
	50° nurga juures	51,5 mm	
Pöörlemissagedus koormuseta (min ⁻¹)	5 200		
Kogupikkus	332 mm		
Netomass	4,8 kg		
Kaitseklass	□/II		

- Meie pideva uuringu- ja arendusprogrammi tõttu võidakse tehnilisi andmeid muuta ilma sellest ette teatamata.
- Tehnilised andmed võivad riigiti erineda.
- Kaal EPTA-protseduuri 01/2014 kohaselt

Ettenähtud kasutamine

Tööriist on ette nähtud puidust piki- ja ristuunaliste sirgjooneliste lõigete ja erineva nurga all faaside lõikamiseks tihedas kokkupuutes töödeldava detailiga. Sobivate Makita originaalsaeteradega saab saagida ka teisi materjale.

Toiteallikas

Seadet võib ühendada ainult andmesildil näidatud pingele vastava pingega toiteallikaga ning seda saab kasutada ainult ühefaasilisel vahelduvvoolutoitel. Seadmel on kahekordne isolatsioon ning seega võib seda kasutada ka ilma maandusjuhtmata pistikupesasa ühendatult.

Üldise madalpinge süsteemide 220V ja 250V kohta. Elektriaparatuuri lülitustoimingud põhjustavad voolu kõikumisi. Käesoleva seadme töö ebasobivas vooluvõrgus võivad olla kahjustavad mõjud teiste seadmete tööle. Kui toiteliini näivtakistus on võrdne või väiksem kui 0,37 oomi, võib oletada, et negatiivsed mõjud puuduvad. Käesoleva seadme juures kasutatud toiteliini pesa on kaitsitud kaitsme või aeglaselt rakenduva kaitselülitiga.

Müra

Tüüpiline A-korrigeeritud müratase vastavalt EN62841:

- Müraarõhutase (L_{PA}): 95 dB (A)
- Müra võimsustase (L_{WA}): 106 dB (A)
- Määramatus (K): 3 dB (A)

Kandke kõrvakaitsmeid

Vibratsioon

Vibratsiooni koguväärtus (kolmeteljeliste vektorite summa) määratud vastavalt EN62841:

- Töörežiim: puidu lõikamine
- Vibratsioonitase (a_{h,vv}): 3,0 m/s²
- Määramatus (K): 1,5 m/s²
- Töörežiim: metalli lõikamine
- Vibratsioonitase (a_{h,m}): 3,0 m/s²
- Määramatus (K): 1,5 m/s²

MÄRKUS: Deklareeritud vibratsiooniemissiooni väärtus on mõeldud kooskõlas standardse testimismeetodiga ning seda võib kasutada ühe seadme võrdlemiseks teisega.

MÄRKUS: Deklareeritud vibratsiooniemissiooni väärtust võib kasutada ka mürataseme esmaseks hindamiseks.

⚠HOIATUS: Vibratsioonitase võib elektritööriista tegelikkuses kasutamise ajal erineda deklareeritud väärtusest sõltuvalt tööriista kasutamise viisidest.

⚠HOIATUS: Rakendage kindlasti operaatori kaitsmiseks piisavaid ohutusabinõusid, mis põhinevad hinnangulisel müratasemel tegelikul tööolutsuatsioonis (võttes arvesse tööperioodi kõik osad nagu näiteks korrad, mil seade lülitatakse välja ja mil seade töötab tühikäigul, lisaks tööajale).

EÜ vastavusdeklaratsioon

Ainult Euroopa riikide puhul

EÜ vastavusdeklaratsioon sisaldub käesoleva juhendi Lisas A.

Üldised elektritööriistade ohutushoiatused

⚠HOIATUS: Lugege läbi kõik selle elektritööriistaga kaasas olevad ohutushoiatused, juhised, joonised ja tehnilised andmed. Järgnevate juhiste eiramine võib põhjustada elektrilöögi, süttimise ja/või raske kehavigastuse.

Hoidke edaspidisteks viideteks alles kõik hoiatused ja juhtnöörid.

Hoiatuses kasutatud termini „elektritööriist“ all peetakse silmas elektriga töötavaid (juhtmega) elektritööriistu või akuga töötavaid (juhtmata) elektritööriistu.

Ketassae ohutusnõuded

Lõikamine

1. **⚠OHT:** Hoidke käed lõikepiirkonnast ja -terast eemal. Hoidke oma teist kätt abikäepidemel või mootori korpusel. Kui tööriista hoitakse mõlema käega, siis ei satu need lõiketera ette.
2. **Ärge kummardage töödeldava detaili alla.** Piire ei kaitse teid lõiketera eest töödeldava detaili all.

3. **Reguleerige lõikesügavust vastavalt töödeldava detaili paksusele.** Töödeldava detaili all peavad olema näha lõiketera hambad vähem kui terve hamba kõrguse ulatuses.
4. **Ärge hoidke mitte kunagi töödeldavat detaili lõikamise ajal käes ega põlve peal. Kinnitage töödeldavat detail stabiilsele alusele.** Oluline on töödeldavat detaili õigesti toetada, et vähendada keha kaitseta jätmist, lõiketera kinnikiilumist või kontrolli kaotust.

► Joon.1

5. **Hoidke elektritööriista isoleeritud käepidemest, kui töötate kohtades, kus lõikeriist võib kokku puutuda peidetud juhtmete või tööriista enda toitejuhtmega.** Kokkupuude voolu all oleva juhtmega võib pingestada ka elektritööriista katmata metallosad ning operaator võib saada elektrilöögi.
6. **Pikilõikamisel kasutage alati piiret või sirge serva juhikut.** See parandab lõike täpsust ja vähendab lõiketera kinnikiilumise võimalust.
7. **Kasutage alati õige suuruse ja kujuga (teemata tavaise asemel) völliakudega lõiketerasid.** Sae konstruktsiooniga mitteühitvad lõiketerad hakkavad liikuma ekstsentriliselt, põhjustades kontrolli kaotuse tööriista üle.
8. **Ärge kasutage kahjustunud ega nõuetele mittevastavaid lõiketera seibe ega polti.** Optimaalse tööväime ja -ohutuse tagamiseks on lõiketera seibid ja polt spetsiaalselt välja töötatud teie saele.

Tagasilöögi põhjused ja sellega seotud hoitused

- tagasilöök on äkiline reaktsioon kinni kiilunud, kinni pigistatud või orientatsiooni kaotanud saeterale, mis põhjustab tööriista üleskerkimist ja väljumist töödeldavast detailist operaatori poole;
 - kui lõiketera on sisselõikesse tihedalt kinni pigistatud või kinni kiilunud, siis lõiketera seiskub ja mootori reaktsiooni tõttu juhitakse seade kiiresti tagasi operaatori poole;
 - kui lõiketera on sisselõikes vändunud või orientatsiooni kaotanud, võivad lõiketera tagumise serva hambad kaevuda puidu pealispinda ning põhjustada lõiketera ülespoole tõusmise sisselõikest ja pörkimise tagasi operaatori poole.
- Tagasilöök on sae väärkasutuse ja/või ebaõigete tööoperatsioonide või -tingimuste tulemus, mida on võimalik vältida, kui järgitakse alljärgnevaid asjakohaseid ettevaatusabinõusid.

1. **Hoidke saest mõlema käega kindlalt kinni ja seadke käsivarred asendisse, et vastu panna tagasilöögi jõududele.** Olge ükskõik kummal pool lõiketera, kuid mitte otse selle taga. Tagasilöök võib põhjustada tööriista järsu tahapoole liikumise, kuid asjakohaseid ettevaatusabinõusid järgides saab operaator tagasilöögi jõudusid kontrolli all hoida.
2. **Kui lõiketera kiilub kinni või katkestab mingil põhjusel lõikamise, vabastage päästik ja hoidke tööriista liikumatult materjalis, kuni tera on täielikult seiskunud.** Ärge kunagi püüdke saagi eemaldada töödeldavast detailist ega tõmmake saagi tahapoole, kui lõiketera liigub või esineb tagasilöögioht. Tehke kindlaks lõiketera kinnikiilumise põhjus ja kõrvaldage see.
3. **Sae taaskäivitamisel töödeldavas detailis tsentreerige saetera sisselõikes nii, et saehambad ei lõikuks materjalisse.** Kui saetera on materjali sisse surutud, võib see sae taaskäivitamisel kerkida või töödeldavast detailist tagasilöögi anda.

4. **Lõiketera kinnikiilumise ja tagasilöögiriski minimeerimiseks toetage suured paneelid.** Suured paneelid kalduvad omaenese raskuse all painduma. Toed tuleb paigutada paneeli mõlema külje alla lõikekoha ja paneeliserva lähedale.

► Joon.2

► Joon.3

5. **Ärge kasutage nürisid ega vigastatud lõiketerasid.** Teritamata või väärralt paigaldatud lõiketerade kasutamise tulemuseks on kitsas sisselõige, mis põhjustab liigset hõõrdumist, lõiketera kinnikiilumist ja tagasilööki.
6. **Lõiketera sügavuse ja faasi reguleerimise lukustushoovad peavad olema enne lõikamist pinguldatud ja kindlalt kinnitatud.** Kui lõiketera seadistus lõikamise ajal nihkub, võib see põhjustada kinnikiilumise ja tagasilöögi.
7. **Olge eriti ettevaatlik, kui teostate lõikeid olemasolevatesse seintesse või muudes varjatud piirkondades.** Väljaulatuv lõiketera võib lõikuda objektidesse, mis võivad põhjustada tagasilöögi.
8. **Hoidke ALATI tööriista kindlalt kahe käega.** Ärge pange oma kätt, jalga ega mingit muud kehaosa KUNAGI tööriistaaluse alla ega sae taha, eriti ristlõigete tegemise ajal. Kui tekib tagasilööki, võib saag hõlpsasti hüpata tahapoole üle teie kae ja põhjustada tõsise kehavigastuse.

► Joon.4

9. **Ärge kunagi kasutage sae suhtes jõudu.** Lükake saagi ettepoole sellise kiirusega, et tera lõikab kiirust vähendamata. Jõu kasutamine võib põhjustada lõigete ebatasasuse, täpsuse kaotuse ja võimaliku tagasilöögi.

Piirde funktsioon

1. **Enne igakordset kasutamist kontrollige alumise piirde õiget sulgemist.** Ärge käivitage saagi, mille alumine piire ei liigu vabalt ja ei sulgu kohe. Ärge kunagi kinnitage alumist piiret klambriga ega siduge seda avatud asendisse. Kui saag on juhuslikult maha kukkunud, võib alumine piire olla paindunud. Tõstke alumist piiret väljatõmmatava käepideme abil ja veenduge, et see liiguks vabalt ega puudutaks lõiketera ning muid osi lõikamise kõigi nurkade ja sügavuste korral.
2. **Kontrollige, kas alumise piirde vedru on töökorras.** Kui piire ja vedru ei tööta korrektselt, tuleb neid enne tööriista kasutamist hooldada. Alumine piire võib töötada aeglaselt kahjustunud osade, kummisette või lõikamisjääkide kogunemise tõttu.
3. **Alumise piirde võib käsitsi tagasi tõmmata ainult teatud lõikamiste puhul, nagu „sukelduslõikamised“ ja „kombineeritud lõikamised“.** Tõstke alumist piiret väljatõmmatava käepideme abil ja niipea kui lõiketera siseneb materjali, tuleb alumine piire vabastada. Igasuguse muu saagimise puhul peab alumine juhik automaatselt töötama.
4. **Enne sae asetamist pingile või pörandale jälgige alati, et alumine piire kataks lõiketera.** Kaitsmata, vabalt liikuv tera võib põhjustada sae tahapoole liikumise ja lõikamise ükskõik millesse oma liikumisteel. Olge teadlik ajast, mis kulub lõiketera seiskumiseks pärast tööriista väljalülitamist.
5. **Alumise piirde kontrollimiseks avage alumine piire käega, seejärel vabastage see ja jälgige piirde sulgemist.** Kontrollige ka seda, et välja tõmmatav käepide ei puudutaks tööriista korpusi. Lõiketera katmata jätmise on VÄGA OHTLIK ning võib põhjustada tõsiseid kehavigastusi.

Lisaohutusnõuded

- Olge eriti ettevaatlik märja puidu, survetöötlemise läbinud saematerjali või oksakotadega puidu lõikamisel.** Tagage tööriista sujuv liikumine lõiketera kiirust vähendamata, et vältida lõiketera tippude ülekuumenemist.
 - Ärge püüdke eemaldada lõigatavat materjali lõiketera liikumise ajal.** Enne lõigatavast materjalist kinni haaramist oodake, kuni lõiketera seiskub. Terad liiguvad peale sae väljalülitamist vabakäiguga edasi.
 - Vältige naeltesse sisselõikamist.** Enne lõikamist kontrollige saematerjali ja eemaldage sellest kõik naelad.
 - Asetage saekorpuse laiema osa töödeldava detaili selle poole peale, mis on kindlalt toetatud, mitte sinna, mis pärast lõikamist küljest ära kukub.** Kui töödeldav detail on lühike või väike, tuleb see pitskruidudega kinnitada. **ÄRGE PÜÜDKE HOIDA LÜHIKESI TÜKKE KÄEGA!**
- **Joon.5**
- Enne tööriista maha asetamist pärast lõikamise lõpetamist veenduge, et piire oleks suletud ja lõiketera täielikult seiskunud.**
 - Ärge kunagi püüdke saagida rakises tagurpidi asendis hoitava ketassaega.** See on väga ohtlik ja võib põhjustada tõsiseid õnnetusi.
- **Joon.6**
- Mõned materjalid võivad sisaldada mürgiseid aineid.** Võtke meetmed tolmu sissehingamise ja nahaga kokkupuute vältimiseks. Järgige materjali tarnija ohutusteavet.
 - Ärge püüdke lõiketerasid seisata neid külgsuunas surudes.**
 - Ärge kasutage abrasiivkettaid.**
 - Kasutage saeterade puhul ainult sellist läbimõõtu, mis on märgitud tööriistale või määratud kindlaks kasutusjuhendis.** Vale suurusega lõiketera kasutamine võib negatiivselt mõjutada lõiketera nõuetekohast kaitset või kaitsepiirde funktsioneerimist, mille tagajärjeks võib olla raske kehavigastus.
 - Hoidke lõiketera terava ja puhtana.** Kõvastunud kumm ja puuvaik lõiketeradel aeglustab sae tööd ning suurendab tagasilöögi tekkimise võimalust. Hoidke lõiketera puhtana, eemaldage see esmalt tööriista küljest, seejärel puhastage seda kummi- ja puuvaigu eemaldusvahendi, kuuma vee või petrooleumiga. Ärge kunagi kasutage bensiini.
 - Tööriista kasutamisel kandke tolmutõrjivaid ja kuulmiskaitsevahendeid.**
 - Kasutage alati lõigatava materjali lõikamiseks ettenähtud saetera.**
 - Kasutage ainult selliseid saeteri, millele märgitud kiirus on võrdne tööriistale märgitud kiirusega või sellest suurem.**
 - (Ainult Euroopa riikide puhul)**
Kasutage alati standardile EN847-1 vastavat saetera.

HOIDKE JUHEND ALLES.

⚠ HOIATUS: ÄRGE UNUSTAGE järgida toote ohutusnõudeid mugavuse või toote (korduskasutamise) saavutamise hea tundmise tõttu. **VALE KASUTUS** või kasutusjuhendi ohutuseeskirjade eiramine võib põhjustada tervisekahjustusi.

FUNKTSIONAALNE KIRJELDUS

⚠ ETTEVAATUST:

- Kandke alati hoolt selle eest, et tööriist oleks enne reguleerimist ja kontrollimist välja lülitatud ja vooluvõrgust lahti ühendatud.

Lõikesügavuse reguleerimine

- **Joon.7:** 1. Sügavusjuhik 2. Hoob

⚠ ETTEVAATUST:

- Pärast lõikesügavuse reguleerimist pingutage hoob alati korralikult.

Lõdvendage sügavusjuhikule olevat hooba ning nihutage alust üles või alla. Soovitud lõikesügavuse juures kinnitage alus, pingutades hooba.

Puhtamate ja ohutumate lõigete tegemiseks seadke lõikesügavus selliselt, et töödeldavas detailist allapoole ei ulatu rohkem kui üks terahammus. Õige lõikesügavuse kasutamine aitab vähendada kehavigastusi põhjustada võivate ohtlike TAGASILÖÖKIDE võimalust.

Kaldlõikamine

- **Joon.8:** 1. Hoob 2. Positiivne seiskamisseade 3. Nool sulguri peal

Sulgur

Pöörake sulgurit nii, et selle nool osutaks asendile (22,5°, 45° või 50°). Seejärel kallutage tööriista alust, kuni see peatub, ja kinnitage alus hoovaga. Selleks ajaks on saavutatud sama nurk, millele nool osutab.

Längnurga seadistus

Lõdvendage hoob ja seadistage tööriista alus 0° längnurgale, seejärel kinnitage hoob kindlalt.

Pöörake sulgur nii, et selle nool näitaks ühte kolmest asendist (22,5°, 45°, 50°), mis on võrdne või suurem kui soovitud längnurk.

Lõdvendage hoob uuesti ja seejärel kallutage ja kinnitage tööriista alus soovitud nurgale.

MÄRKUS:

- Sulguri asendit muutes, hooba lõdvendades ja längnurga kallutades vähemaks kui soovitud sulguri asendi number lubab seda muuta.
- Kui sulguri nool näitab 22,5, saab längnurga kohandada 0-22,5°; kui nool näitab 45, saab selle kohandada 0-45°; kui nool näitab 50, saab selle kohandada 0-50°.

Sihtimine

- **Joon.9:** 1. Tald

Sirglõigete tegemiseks seadke punkt A aluse esiküljel lõikejoonega kohakuti. 45° kaldlõigete tegemiseks seadke sellega kohakuti punkt B.

Lüliti funktsioneerimine

► **Joon.10:** 1. Lüliti päästik

⚠ETTEVAATUST:

- Kontrollige alati enne tööriista vooluvõrku ühendamist, kas lüliti päästik funktsioneerib nõuetekohaselt ja liigub lahtilaskmisel tagasi väljalülitatud asendisse.

Tööriista töölelülitamiseks on vaja lihtsalt lüliti päästikut tõmmata. Seiskamiseks vabastage lüliti päästik.

Lambi süütamine

► **Joon.11:** 1. Lamp

⚠ETTEVAATUST:

- Ärge lööge vastu lampi, sest see võib seda kahjustada või kasutusiga lühendada.
- Ärge vaadake otse valgusesse ega valgusallikat.

Tööriista sisse lülitamisel süttib tuli põlema. Tuli põleb, kuni tööriist välja lülitatakse.

Kui tuli ei sütti, võib toitevõrgu juhe olla kahjustatud.

Kui tuli põleb, aga tööriist ei tööta või on välja lülitatud, võivad süsinikharjad olla kulunud või mootor või sisse/välja-lüliti olla kahjustatud.

MÄRKUS:

- Kasutage lambiklaasilt mustuse ära pühkimiseks kuiva riidelappi. Olge seda tehes ettevaatlik, et lambiklaasi mitte kriimustada, sest vastasel korral võib valgustus väheneda.

KOKKUPANEK

⚠ETTEVAATUST:

- Kandke alati enne tööriistal mingite tööde teostamist hoolt selle eest, et see oleks välja lülitatud ja vooluvõrgust lahti ühendatud.

Kuuskantvõtme hoiulepanek

► **Joon.12:** 1. Kuuskantvõti 2. End

Kuuskantvõti hoitakse tööriista sees. Kuuskantvõtme eemaldamiseks pöörake seda enda poole ja tõmmake välja.

Kuuskantvõtme paigaldamiseks asetage see käepidemele ja pöörake seni, kuni see puudutab käepideme väljalatuvat osa.

Saetera eemaldamine või paigaldamine

► **Joon.13:** 1. Kuuskantvõti 2. Völlilukk

⚠ETTEVAATUST:

- Veenduge, et tera on paigaldatud selliselt, et hambad on suunatud tööriista esiosas üles.
- Kasutage tera paigaldamiseks ja eemaldamiseks ainult Makita mutrivõtit.

Tera eemaldamiseks vajutage võlli lukule nii, et tera ei saa pöörelda ja lödvendage vastupäeva keerates kuuskantpolt. Seejärel eemaldage kuuskantpolt, välisäärik ja tera. Tera paigaldamiseks järgige eemaldamise protseduuri vastupidises järjekorras. KEERAKE KUUSKANTPOLT KINDLASTI KORRALIKULT PÄRIPÄEVA KINNI.

► **Joon.14:** 1. Saetera 2. Kuuskantpolt 3. Välimine flanš 4. Sisemine flanš 5. Rõngas

Lõiketera vahetamisel puhastage kindlasti ka ülemine ja alumine lõiketera kaitsepiire neile kogunenud saepurust, nagu on kirjeldatud peatükis „Hooldus”. See ei tähenda, et võiks loobuda alumise kaitsepiire töökorras oleku kontrollimisest enne iga kasutuskorda.

Tolmuimeja ühendamine

Valikuline tarvik

► **Joon.15:** 1. Tolmuimeja

Kui soovite puhtamalt lõigata, ühendage tööriista külge Makita tolmuimeja. Paigaldage liitmik kruvide abil tööriista külge. Seejärel ühendage tolmuimeja voolik liitmikuga, nagu joonisel näidatud.

TÖÖRIISTA KASUTAMINE

⚠ETTEVAATUST:

- Liigutage tööriista kindlasti ettevaatlikult sirgjooneliselt ettepoole. Tööriistale surve avaldamisel või selle väänamisel kuumenem mootor üle ja tekib ohtlik tagasilöökk, mis võib põhjustada tõsiseid vigastusi.

► **Joon.16:** 1. Tagumine käepide 2. Eesmine käepide 3. Tald

Hoidke tööriista töö ajal alati tugevalt, kasutades esihaaratsit ja tagumist käepidet. Tööriist on varustatud esihaaratsi ja tagumise käepidemega. Saagi kahe käega hoides ei saa tera käsi kahjustada. Seadistage töödetalile alus, ilma et tera seda puudutaks. Siis pöörake tööriist ümber ja oodake, kuni tera saavutab täiskiiruse. Nüüd liigutage tööriista sujuvalt üle töödetali pinna, kuni saagimine on lõppenud.

Korraliku lõike saamiseks hoidke saagimisjoon sirgena ja kiirust ühetaolisena. Kui lõikamine lõikejoont jälgides nurjub, ärge pöörake ega suruge tööriista lõikejoonele tagasi. Seda tehes võib tera kinni kiiluda ja tekkida tagasilöökk, mis võib põhjustada tõsiseid vigastusi. Vabastage lüliti, oodake tera peatumist ja seejärel tõmmake tööriist tagasi. Joondage tööriist uuele lõikele ja alustage uuesti saagimist. Püüdke vältida asendit, mis jätab operatori saelt paiskuvate laastude ja puidutolmu eest kaitsetuks. Kaitske õnnetuste vältimiseks oma silmi.

Piire (juhtjoolaud) (tarvik)

► Joon.17: 1. Piire (juhtjoolaud)

Käepärane piire võimaldab teha eriti täpseid sirgloikeid. Libistage lihtsalt piire tihedalt vastu töödeldava detaili külge üles ja kinnitage see aluse esiosas oleva kruviga kohale. Samuti võimaldab see ühesuguse laiusega korduvloigete tegemist.

HOOLDUS

⚠ETTEVAATUST:

- Kandke alati enne kontroll- või hooldustoimingute teostamist hoolt selle eest, et tööriist oleks välja lülitatud ja vooluvõrgust lahti ühendatud.
- **Puhastage ülemist ja alumist kaitsepiiret, et sinna ei oleks kogunenud saetolmu, mis võib takistada alumise kaitseüsteemi funktsioneerimist.** Määrdund kaitseüsteem võib piirata nõuetekohast töötamist, mille tagajärjeks võib olla raske kehavigastus. Puhastamist on kõige tõhusam teha suruõhuga. **Tolmu väljapuhumisel kaitsepiiretest kasutage kindlasti nõuetekohaseid silmade ja hingamisteede kaitsevahendeid.**
- Ärge kunagi kasutage bensiini, vedeldit, alkoholi ega midagi muud sarnast. Selle tulemuseks võib olla luitumine, deformatsioon või pragunemine.

90° lõike (vertikaallõige) täpsuse seadmine

See on tehases seadistatud. Kui see on paigast ära, siis reguleerige kuuskantvõtme abil reguleerkrui, sättides samal ajal kolmnurkjoolaua, nurklaava vms abil tera aluse suhtes paika.

► Joon.18: 1. Tald 2. Reguleerkrui

► Joon.19: 1. Kolmnurkjoolaud

Süsiharjade asendamine

► Joon.20: 1. Piirmärgis

Võtke välja ja kontrollige süsiharju regulaarselt. Asendage süsiharjad uutega, kui need on kulunud piirmärgini. Hoidke süsiharjad puhtad, nii on neid lihtne oma hoidikutesse libistada. Mõlemad süsiharjad tuleb asendada korraga. Kasutage ainult identseid süsiharju. Kasutage harjahoidikute kaante eemaldamiseks kruvikeerajat. Võtke ära kulunud süsiharjad välja, paigaldage uued ning kinnitage harjahoidikute kaaned tagasi oma kohale.

► Joon.21: 1. Harjahoidiku kate 2. Kruvikeeraja

Toote OHUTUSE ja TÖÖKINDLUSE tagamiseks tuleb vajalikud remonttööd, muud hooldus- ja reguleerimistööd lasta teha Makita volitatud teeninduskeskustes. Alati tuleb kasutada Makita varuosi.

Ainult mudeli 5008MGA puhul

Pärast harjade vahetamist ühendage tööriist vooluvõrku ja töötage harjad sisse, lastes tööriistal ilma koormuseta umbes 10 minut töötada. Seejärel kontrollige töötavat tööriista ja elektrilise piduri tööd lüüti päästiku vabastamisel. Kui elektriline pidur ei tööta korralikult, viige see seadiseks kohaliku Makita teeninduskeskusesse.

VALIKULISED TARIKUD

⚠ETTEVAATUST:

- Neid tarvikuid ja lisaseadiseid on soovitatav kasutada koos Makita tööriistaga, mille kasutamist selles kasutusjuhendis kirjeldatakse. Muude tarvikute ja lisaseadiste kasutamisega kaasneb vigastada saamise oht. Kasutage tarvikuid ja lisaseadiseid ainult otstarvetel, milleks need on ette nähtud.

Saate vajadusel kohalikust Makita teeninduskeskusest lisateavet nende tarvikute kohta.

- Teras- ja karbiidotsaga saeterad

Kombinatsioon	Üldkasutus tera kiireks ja sujuvaks lõhestamiseks, järkamiseks ja kaldloigete tegemiseks.
Rõhk-töödeldav / märg saematerjal	Kiireks rõhk-töödeldava ja märga saematerjali lõikamiseks.
Risti läbilõiked	Liivata sisselõigete jaoks, tera tihkelt vastas.

- Piire (juhtjoolaud)
- Kuuskantvõti
- Tolmuotsak (liidetav osa)

MÄRKUS:

- Mõned nimekirjas loetletud tarvikud võivad kuuluda standardvarustusse ning need on lisatud tööriista pakendisse. Need võivad riikide lõikes erineda.

ТЕХНИЧЕСКИЕ ХАРАКТЕРИСТИКИ

Модель	5008MG / 5008MGA		
Диаметр диска	210 мм		
Максимальная глубина резки	при 90°	75,5 мм	
	при 45°	57 мм	
	при 50°	51,5 мм	
Число оборотов без нагрузки (мин ⁻¹)	5 200		
Общая длина	332 мм		
Вес нетто	4,8 кг		
Класс безопасности	□/ll		

- Благодаря нашей постоянно действующей программе исследований и разработок указанные здесь технические характеристики могут быть изменены без предварительного уведомления.
- Технические характеристики могут различаться в зависимости от страны.
- Масса в соответствии с процедурой EPTA 01/2014

Назначение

Данный инструмент предназначен для прямолинейного продольного и поперечного пиления, а также для пиления древесины под углом при наличии надежного контакта с распиливаемой деталью. При использовании соответствующих оригинальных дисковых пил Makita возможно также распиливание других материалов.

Питание

Подключайте данный инструмент только к тому источнику питания, напряжение которого соответствует напряжению, указанному на паспортной табличке. Инструмент предназначен для работы от источника однофазного переменного тока. Он имеет двойную изоляцию и поэтому может подключаться к розеткам без заземления.

Для низковольтных систем общего пользования напряжением от 220 В до 250 В.

Включение электрического устройства приводит к колебаниям напряжения. Использование данного устройства в неблагоприятных условиях электропитания может оказывать негативное влияние на работу другого оборудования. Если полное сопротивление в сети питания равно или менее 0,37 Ом, можно предполагать, что данный инструмент не будет оказывать негативного влияния. Сетевая розетка, используемая для данного инструмента, должна быть защищена предохранителем или прерывателем цепи с медленным размыканием.

Шум

Типичный уровень взвешенного звукового давления (A), измеренный в соответствии с EN62841:

Уровень звукового давления (L_{pA}): 95 дБ (A)

Уровень звуковой мощности (L_{WA}): 106 дБ (A)

Погрешность (K): 3 дБ (A)

Используйте средства защиты слуха

Вибрация

Суммарное значение вибрации (сумма векторов по трем осям) определяется по следующим параметрам EN62841:

Рабочий режим: резка дерева

Распространение вибрации ($a_{h,w}$): 3,0 м/с²

Погрешность (K): 1,5 м/с²

Рабочий режим: резка металла

Распространение вибрации ($a_{h,m}$): 3,0 м/с²

Погрешность (K): 1,5 м/с²

ПРИМЕЧАНИЕ: Заявленное значение распространения вибрации измерено в соответствии со стандартной методикой испытаний и может быть использовано для сравнения инструментов.

ПРИМЕЧАНИЕ: Заявленное значение распространения вибрации можно также использовать для предварительных оценок воздействия.

⚠ОСТОРОЖНО: Распространение вибрации во время фактического использования электроинструмента может отличаться от заявленного значения в зависимости от способа применения инструмента.

⚠ОСТОРОЖНО: Обязательно определите меры безопасности для защиты оператора, основанные на оценке воздействия в реальных условиях использования (с учетом всех этапов рабочего цикла, таких как выключение инструмента, работа без нагрузки и включение).

Декларация о соответствии ЕС

Только для европейских стран

Декларация о соответствии ЕС включена в руководство по эксплуатации (Приложение А).

Общие рекомендации по технике безопасности для электроинструментов

⚠ ОСТОРОЖНО: Ознакомьтесь со всеми представленными инструкциями по технике безопасности, указаниями, иллюстрациями и техническими характеристиками, прилагаемыми к данному электроинструменту. Несоблюдение каких-либо инструкций, указанных ниже, может привести к поражению электрическим током, пожару и/или серьезной травме.

Сохраните брошюру с инструкциями и рекомендациями для дальнейшего использования.

Термин "электроинструмент" в предупреждениях относится ко всему инструменту, работающему от сети (с проводом) или на аккумуляторах (без провода).

Правила техники безопасности при эксплуатации циркулярной пилы

Процедуры резки

- 1. ⚠ ОПАСНО:** Держите руки на расстоянии от места распила и пилы. Держите вторую руку на дополнительной ручке или корпусе двигателя. Удержание инструмента обеими руками позволит избежать попадания рук диск пилы.
 - 2. Не наклоняйтесь под обрабатываемую деталь.** Защитный кожух не защитит вас от диска под обрабатываемой деталью.
 - 3. Отрегулируйте глубину распила в соответствии с толщиной детали.** Под распиливаемой деталью должен быть виден почти весь зуб пилы.
 - 4. Запрещается держать деталь руками и ставить ее поперек ноги во время работы.** Закрепите обрабатываемую деталь на устойчивом основании. Важно обеспечить правильную фиксацию детали для снижения до минимума риска получения травм, заклинивания диска или потери контроля.
- **Рис.1**
- 5. Если при выполнении работ существует риск контакта режущего инструмента со скрытой электропроводкой или собственным шнуром питания, держите электроинструмент за специально предназначенные изолированные поверхности.** Контакт с проводом под напряжением приведет к тому, что металлические детали инструмента также будут под напряжением, что приведет к поражению оператора электрическим током.
 - 6. Обязательно пользуйтесь направляющей планкой или направляющей с прямым краем при продольной распиловке.** Это повышает точность распила и снижает риск изгиба диска.

- 7. Обязательно используйте диски соответствующего размера и формы отверстий для оправки (ромбовидные или круглые).** Диски с несоответствующим креплением будут работать эксцентрически, что приведет к потере контроля над инструментом.
- 8. Запрещается использовать поврежденные или несоответствующие пиле шайбы или болт крепления.** Шайбы и болт крепления диска были специально разработаны для данной пилы с целью обеспечения оптимальных эксплуатационных характеристик и безопасности работы.

Причины отдачи и соответствующие предупреждения

- отдача - это мгновенная реакция на защемление, застревание или нарушение соосности пильного диска, приводящая к неконтролируемому подъему пилы и ее движению из детали по направлению к оператору;
- если диск защемлен или жестко ограничивается пропилом снизу, он прекратит вращаться, и реакция двигателя приведет к тому, что инструмент начнет быстро двигаться в сторону оператора;
- если диск становится изогнутым или неправильно ориентированным в распиле, зубья на задней стороне диска могут цепляться за верхнюю поверхность распиливаемой древесины, что приведет к выскакиванию диска из пропила и его движению в сторону оператора.

Отдача - это результат неправильного использования пилы и/или неправильных процедур или условий эксплуатации. Ее можно избежать, соблюдая меры предосторожности, указанные ниже.

- 1. Крепко держите пилу обеими руками и распологайте руки так, чтобы они могли справиться с отдачей.** Располагайтесь с боковой стороны циркулярной пилы, а не на одной линии с ней. Отдача может привести к отскокиванию дисковой пилы назад, однако силы отдачи могут контролироваться оператором при условии соблюдения соответствующих мер предосторожности.
- 2. При изгибании пилы или прекращении пиления по какой-либо причине отпустите триггерный переключатель и держите пилу без ее перемещения в детали до полной остановки вращения диска.** Не пытайтесь вытащить пилу из распиливаемой детали или потянуть пилу назад, когда пила продолжает вращаться. Это может привести к отдаче. Проверьте и выполните действие по устранению причины заклинивания диска.
- 3. При повторном включении пилы, когда она находится в детали, отцентрируйте пильный диск в пропиле так, чтобы зубья пилы не касались распиливаемой детали.** Если пильный диск изогнется, пила может приподняться или возникнет обратная отдача при повторном запуске пилы.
- 4. Поддерживайте большие панели для снижения риска заклинивания и отдачи диска.** Большие панели провисают под собственным весом. Опоры необходимо располагать под панелью с обеих сторон, около линии распила и около края панели.

► Рис.2

► Рис.3

5. **Не используйте тупые или поврежденные диски.** Незаточенные или неправильно установленные диски приведут к узкому распилу, что вызовет чрезмерное трение, заклинивание диска и отдачу.
6. **Перед резкой необходимо крепко затянуть блокирующие рычаги глубины распила и регулировки скоса.** Если при резке регулировка диска нарушится, это может привести к заклиниванию диска и возникновению отдачи.
7. **Будьте особенно осторожны при распиливании уже имеющихся стен или иных поверхностей, недоступных для осмотра.** Выступающий диск пилы может столкнуться с предметами, которые могут вызвать отдачу инструмента.
8. **ВСЕГДА держите инструмент крепко обеими руками. НИКОГДА не помещайте свои руки, ноги или иные части тела под основание инструмента или позади пилы, особенно при выполнении поперечных распилов.** В случае отдачи пила может легко отскочить назад на вашу руку, что приведет к серьезной травме.

► Рис.4

9. **Никогда не прилагайте повышенных усилий к пиле. Двигайте пилу вперед со скоростью, которая позволяет дисковой пиле пилить без снижения скорости.** Приложение повышенных усилий к дисковой пиле может привести к неравномерному распилу, снижению точности и возможной отдаче.

Функционирование ограждения

1. **Перед каждым использованием убедайтесь в том, что нижний защитный кожух надежно закрыт. Не эксплуатируйте пилу, если нижний защитный кожух не перемещается свободно и мгновенно не закрывается. Запрещается фиксировать нижний защитный кожух в открытом положении каким бы то ни было способом.** При случайном падении пилы кожух может погнуться. Поднимите нижний защитный кожух при помощи ручки подъема и убедитесь в его свободном перемещении и в том, что он не касается пилы или других деталей при любом угле и глубине распила.
2. **Проверьте работу пружины нижнего защитного кожуха. Если щиток и пружина не работают надлежащим образом, их необходимо отремонтировать перед использованием пилы.** Нижний защитный кожух может работать медленно из-за поврежденных деталей, отложения смол или скопления мусора.
3. **Нижний защитный кожух можно поднимать вручную только при специальных распилах, таких как “врезание” или “комплексная резка”.** Поднимите нижний кожух, отодвинув рукоятку назад; как только диск войдет в материал, нижний защитный кожух обязательно нужно вернуть на место. При осуществлении любых других распилов нижний защитный кожух должен работать автоматически.

4. **Перед тем как положить пилу на верстак или на пол, обязательно убедитесь, что нижний защитный кожух закрывает режущий диск.** Незащищенный, вращающийся по инерции диск пилы может непреднамеренно двинуться назад, распиливая все, что попадет на пути. Помните о времени, необходимом для полной остановки пилы после отпущения выключателя.
5. **Для проверки нижнего кожуха вручную откройте нижний защитный кожух, затем отпустите и убедитесь, что он закрылся. Также убедитесь в том, что убирающаяся ручка не касается корпуса.** Открытая пила **ОЧЕНЬ ОПАСНА** и может привести к серьезной травме.

Дополнительные предупреждения о безопасности

1. **Будьте особенно осторожны при распиливании сырой, прессованной или сучковатой древесины.** Сохраняйте постоянную скорость подачи без снижения оборотов диска, чтобы избежать перегрева кромки диска.
2. **Не пытайтесь убирать отрезанные детали при вращении диска. Перед удалением распиленных деталей дождитесь полной остановки пилы.** После выключения диск будет вращаться еще некоторое время.
3. **Избегайте попадания режущего инструмента на гвозди.** Перед распиливанием осмотрите деталь и удалите из нее все гвозди.
4. **Установите пилу более широкую часть основания пилы на ту часть обрабатываемой детали, которая имеет хорошую опору, а не на ту часть, которая упадет после отпиливания.** Если распиливаемая деталь короткая или маленькая, ее необходимо закрепить. **НЕ ПЫТАЙТЕСЬ УДЕРЖИВАТЬ КОРОТКИЕ ДЕТАЛИ РУКОЙ!**

► Рис.5

5. **Перед размещением пилы после завершения распила убедитесь, что нижний защитный кожух закрылся и пила полностью прекратила вращаться.**
6. **Никогда не пытайтесь осуществлять распиливание, закрепив циркулярную пилу в перевернутом виде.** Это очень опасно и может привести к серьезным травмам.

► Рис.6

7. **Некоторые материалы могут содержать токсичные химические вещества.** Примите соответствующие меры предосторожности, чтобы избежать вдыхания или контакта с кожей таких веществ. Соблюдайте требования, указанные в паспорте безопасности материала.
8. **Не пытайтесь остановить пилу путем бокового давления на пильный диск.**
9. **Не используйте абразивные круги.**

10. Разрешается использовать только пильные диски с диаметром, соответствующим указанному на инструменте или в руководстве. Применение диска неверного размера может препятствовать надлежащей защите диска или мешать работе защитного кожуха, что, в свою очередь, может стать причиной серьезных травм.
11. Пилы должны быть острыми и чистыми. Смола и древесный пек, затвердевшие на пильных дисках, снижают производительность пилы и повышают потенциальный риск отдачи. Содержите пилу в чистоте. Для этого снимите ее с инструмента и очистите растворителем смолы и древесного пека, горячей водой или керосином. Запрещается использовать бензин.
12. При использовании инструмента надевайте пылезащитную маску и используйте средства защиты слуха.
13. Используйте пильные диски, соответствующие материалу заготовки.
14. Используйте только пильные диски, маркировка максимальной скорости которых равна или выше скорости, указанной на инструменте.
15. (Только для европейских стран) Используйте диски, соответствующие EN847-1.

СОХРАНИТЕ ДАННЫЕ ИНСТРУКЦИИ.

⚠ОСТОРОЖНО: НЕ ДОПУСКАЙТЕ, чтобы удобство или опыт эксплуатации данного устройства (полученный от многократного использования) доминировали над строгим соблюдением правил техники безопасности при обращении с этим устройством. НЕПРАВИЛЬНОЕ ИСПОЛЬЗОВАНИЕ инструмента или несоблюдение правил техники безопасности, указанных в данном руководстве, может привести к тяжелой травме.

ОПИСАНИЕ ФУНКЦИОНИРОВАНИЯ

⚠ВНИМАНИЕ:

- Перед проведением регулировки или проверки работы инструмента всегда проверяйте, что инструмент выключен, а шнур питания вынут из розетки.

Регулировка глубины резки

► **Рис.7:** 1. Направляющая глубины 2. Рычаг

⚠ВНИМАНИЕ:

- После регулировки глубины реза всегда крепко затягивайте рычаг.

Ослабьте рычаг на направляющей глубины и переместите основание вверх или вниз. Установив необходимую глубину реза, закрепите основание путем затяжки рычага.

Для обеспечения более чистых, безопасных распилов, установите глубину реза на такое значение, чтобы под обрабатываемой деталью выступал только один зубец диска. Установка надлежащей глубины реза снижает вероятность опасных ОТСКОКОВ, которые могут причинить травму.

Рез под углом

► **Рис.8:** 1. Рычаг 2. Упор-ограничитель 3. Стрелка на упоре-ограничителе

Упор-ограничитель

Поверните упор-ограничитель таким образом, чтобы стрелка на нем указывала на одно из трех положений (22,5°, 45°, 50°). Затем наклоняйте основание инструмента, пока оно не упрется, и надежно закрепите основание рычагом. При этом получен такой же угол, что и указанный стрелкой.

Задание угла скоса кромки

Ослабьте рычаг и осторожно установите для основания инструмента угол скоса кромки 0°.

Поверните упор-ограничитель таким образом, чтобы стрелка на нем указывала на одно из трех положений (22,5°, 45°, 50°), равное или превышающее нужный угол скоса кромки.

Снова ослабьте рычаг, затем наклоните и зафиксируйте основание инструмента под нужным углом.

ПРИМЕЧАНИЕ:

- При изменении положения упора-ограничителя изменить угол скоса кромки можно путем ослабления рычага и установке угла скоса меньше нужного номера положения упора-ограничителя.
- Когда стрелка на упоре-ограничителе показывает 22,5, угол скоса кромки можно установить в пределах от 0 до 22,5°; когда стрелка показывает 45, можно установить угол от 0 до 45°; когда стрелка показывает 50, можно установить угол от 0 до 50°.

Визир

► Рис.9: 1. Основание

Для осуществления прямых распилов, совместите положение А в передней части основания с линией распила. Для распилов под углом в 45°, совместите положение В с линией распила.

Действие выключателя

► Рис.10: 1. Курковый выключатель

ВНИМАНИЕ:

- Перед включением инструмента в розетку, всегда проверяйте, что триггерный переключатель работает надлежащим образом и возвращается в положение "ВЫКЛ", если его отпустить.

Для запуска инструмента просто нажмите триггерный переключатель. Отпустите триггерный переключатель для остановки.

Включение лампы

► Рис.11: 1. Лампа

ВНИМАНИЕ:

- Не допускайте ударных воздействий на лампу, т. к. это может привести к ее повреждению или сокращению срока службы.
- Не смотрите непосредственно на свет или источник света.

Лампа загорается при подключении инструмента к электросети. При отключении от сети лампа будет продолжать светиться.

Если лампа не загорается, то неисправен либо сетевой шнур, либо сама лампа. Если лампа светится, а инструмент не включается даже при нажатом выключателе, это свидетельствует либо об износе щеток, либо о неисправности электромотора или выключателя питания.

ПРИМЕЧАНИЕ:

- Используйте сухую ткань для очистки грязи с линзы лампы. Следите за тем, чтобы не поцарапать линзу лампы, так как это может уменьшить освещение.

МОНТАЖ

ВНИМАНИЕ:

- Перед проведением каких-либо работ с инструментом всегда проверяйте, что инструмент выключен, а шнур питания вынут из розетки.

Хранение шестигранного ключа

► Рис.12: 1. Шестигранный ключ 2. Выступ

Шестигранный ключ хранится прямо в инструменте. Для извлечения шестигранного ключа поверните его к себе и вытащите.

Для установки шестигранного ключа поместите его на рукоятку и поверните до зацепления с выступом на рукоятке.

Снятие или установка пильного диска

► Рис.13: 1. Шестигранный ключ 2. Фиксатор вала

ВНИМАНИЕ:

- Обязательно проверяйте установку диска, чтобы зубья смотрели вверх в передней части инструмента.
- Для снятия или установки дисков пользуйтесь только ключом Makita.

Для снятия пилы нажмите на кнопку фиксации, чтобы шпиндель не мог вращаться, затем используйте ключ для отворачивания болта с шестигранной головкой против часовой стрелки. Затем снимите болт с шестигранной головкой, внешний фланец и режущий диск. Для установки диска выполните процедуру снятия в обратной последовательности. **ОБЯЗАТЕЛЬНО КРЕПКО ЗАКРУТИТЕ ШЕСТИГРАННЫЙ БОЛТ ПО ЧАСОВОЙ СТРЕЛКЕ.**

► Рис.14: 1. Пильный диск 2. Болт с шестигранной головкой 3. Наружный фланец 4. Внутренний фланец 5. Кольцо

При замене диска убедитесь, что вы почистили верхнее и нижнее ограждение диска от скопившихся опилок в соответствии с инструкциями в разделе "Техническое обслуживание". Подобные меры не подменяют собой необходимость проверки нижнего ограждения перед каждым использованием.

Подключение пылесоса

Дополнительные принадлежности

► Рис.15: 1. Пылесос

Если Вы хотите обеспечить чистоту при распиливании, подключите к Вашему инструменту пылесос Makita. Установите патрубок на инструмент с помощью винтов. Затем подключите шланг пылесоса к патрубку, как показано на рисунке.

ЭКСПЛУАТАЦИЯ

ВНИМАНИЕ:

- Обязательно осторожно перемещайте инструмент по направлению вперед по прямой линии. Применение силы или кручение инструмента приводят к перегреву двигателя и опасному отскоку, результатом чего может стать серьезная травма.

► Рис.16: 1. Задняя ручка 2. Передняя рукоятка 3. Основание

Всегда используйте переднюю и заднюю ручки, и во время работы крепко держите инструмент за обе ручки. Инструмент имеет переднюю и заднюю ручки. Если обе руки будут держать пилу, они не будут порезаны диском пилы. Установите основание циркулярной пилы на распиливаемую деталь так, чтобы циркулярная пила не касалась детали. Затем включите инструмент и дождитесь набора полной скорости пилы. Теперь просто ведите инструмент вперед по поверхности детали, держа ее плоско и плавно двигаясь вперед, пока резание не завершится.

Для получения чистого распиливания пилите строго по прямой и равномерно перемещайте инструмент. Если распиливание отклонилось от намеченной линии, не пытайтесь принудительно вернуть инструмент на линию распиливания. Это может привести к изгибу дисковой пилы и возникновению опасной отдачи, которая может привести к травме. Отпустите выключатель, дождитесь остановки инструмента и вытащите инструмент. Заново совместите инструмент с новой линией пропила и начните пиление снова. Старайтесь избегать положений, при которых оператор попадает под опилки и древесную пыль, отбрасываемую пилой. Во избежание получения травм используйте защитные очки.

Направляющая планка (направляющая линейка) (дополнительная принадлежность)

► **Рис.17:** 1. Направляющая планка (направляющая линейка)

Удобная направляющая линейка позволяет Вам делать сверточные прямые распилы. Просто продвиньте направляющую планку к боковой поверхности обрабатываемой детали и закрепите ее в таком положении с помощью винта в передней части основания. Она также позволяет осуществлять повторные распилы одинаковой ширины.

ТЕХОБСЛУЖИВАНИЕ

▲ **ВНИМАНИЕ:**

- Перед проверкой или проведением техобслуживания убедитесь, что инструмент выключен, а штекер отсоединен от розетки.
- **Очистите верхнее и нижнее ограждение, чтобы убедиться в отсутствии опилок, которые могут затруднять работу нижнего ограждения.** Загрязненное ограждение может ограничивать работу, что может привести к серьезным травмам. Наиболее эффективный способ – это выполнение данной очистки с помощью сжатого воздуха. **Если пыль выдувается из ограждений, обязательно используйте надлежащие средства защиты глаз и органов дыхания.**
- Запрещается использовать бензин, лигроин, растворитель, спирт и т.п. Это может привести к изменению цвета, деформации и появлению трещин.

Настройка точности для разреза под углом в 90° (вертикальный разрез)

Данная регулировка уже выполнена на предприятии-изготовителе. Но если наблюдается отклонение, отрегулируйте регулировочный винт с помощью шестигранного ключа, выровнявая перпендикулярно диск с основанием с помощью треугольной или квадратной линейки и т.д.

► **Рис.18:** 1. Основание 2. Регулировочный винт

► **Рис.19:** 1. Треугольная линейка

Замена угольных щеток

► **Рис.20:** 1. Ограничительная метка

Регулярно вынимайте и проверяйте угольные щетки. Заменяйте их, если они изношены до ограничительной отметки. Содержите угольные щетки в чистоте и в свободном для скольжения в держателях положении. При замене необходимо менять обе угольные щетки одновременно. Используйте только одинаковые угольные щетки. Используйте отвертку для снятия крышек щеткодержателей. Извлеките изношенные угольные щетки, вставьте новые и закрутите крышки щеткодержателей.

► **Рис.21:** 1. Колпачок держателя щетки 2. Отвертка

Для обеспечения БЕЗОПАСНОСТИ и НАДЕЖНОСТИ оборудования, ремонт, любое другое техобслуживание или регулировку необходимо производить в уполномоченных сервис-центрах Makita, с использованием только сменных частей производства Makita.

Только для модели 5008MGA

После замены щеток включите инструмент в розетку и обкатайте щетки при работающем без нагрузки инструменте в течение примерно 10 минут. После этого проверьте инструмент при работе, а также работу электрического тормоза при отпускании триггерного переключателя. Если электрический тормоз не работает надлежащим образом, его необходимо отремонтировать в Вашем местном сервис-центре Makita.

ДОПОЛНИТЕЛЬНЫЕ ПРИНАДЛЕЖНОСТИ

▲ **ВНИМАНИЕ:**

- Эти принадлежности или насадки рекомендуются использовать вместе с вашим инструментом Makita, описанным в данном руководстве. Использование каких-либо других принадлежностей или насадок может представлять опасность получения травм. Используйте принадлежность или насадку только по указанному назначению.

Если вам необходимо содействие в получении дополнительной информации по этим принадлежностям, свяжитесь со своим местным сервис-центром Makita.

- Стальные и твердосплавные пыльные диски

Комбинированный	Универсальный диск для быстрого и ровного разреза, поперечного распила и среза под углом 45°.
Прессованное/сырое дерево	Предназначены для быстрого резания прессованного и сырого дерева.
Тонкие поперечные распилы	Для чистого разрезания поперек волокон.

- Направляющая планка (направляющая линейка)
- Шестигранный ключ
- Очистите от пыли сопло (стык)

ПРИМЕЧАНИЕ:

- Некоторые элементы списка могут входить в комплект инструмента в качестве стандартных приспособлений. Они могут отличаться в зависимости от страны.

Makita Europe N.V. Jan-Baptist Vinkstraat 2,
3070 Kortenberg, Belgium

Makita Corporation 3-11-8, Sumiyoshi-cho,
Anjo, Aichi 446-8502 Japan

www.makita.com

884738F988
EN, SV, NO, FI, LV,
LT, ET, RU
20170622