



Oras Safira

Installation and maintenance guide

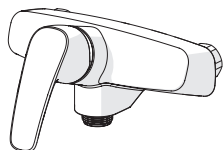




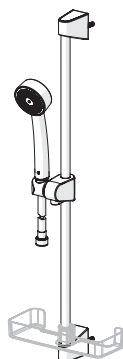
Accepterad
monteringsanvisning
2016:1

Contents

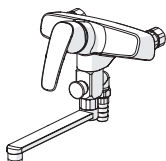
CZ Obsah	FI Sisällysluettelo	NL Inhoud	RU Содержание
DE Inhaltsübersicht	FR Sommaire	NO Innhold	SE Innehållsförteckning
DK Indholdsfortegnelse	IT Indice	PL Spis treści	SK Obsah
EE Sisukord	LT Turinys	RO Cuprins	UA Зміст
ES Contenidos	LV Saturs		



Technical data	4-10
Installation	12-14
Operation.....	16
Maintenance.....	16-19
Spare parts.....	20-22



Technical data	11
Installation	12-14
Operation.....	16
Maintenance.....	16-19
Spare parts.....	21-22



Technical data	12
Installation	15
Operation.....	16
Maintenance.....	16-17, 19
Spare parts.....	22



1016

EN 817

I (ISO 3822) (0.2 l/s)

50 - 1000 kPa

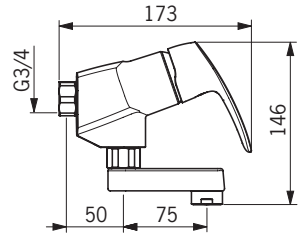
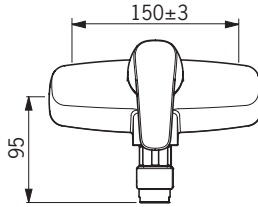
0.31 l/s (300 kPa)

0.2 l/s (300 kPa, with flow reducers)

120 kPa (0.2 l/s)

300 kPa (0.2 l/s, with flow reducers)

max. +80°C



1036

EN 817

I (ISO 3822) (0.2 l/s) Oras lab.

50 - 1000 kPa

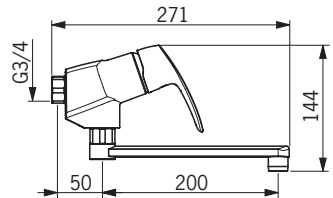
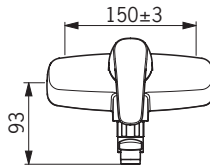
0.27 l/s (300 kPa)

0.2 l/s (300 kPa, with flow reducers)

160 kPa (0.2 l/s)

300 kPa (0.2 l/s, with flow reducers)

max. +80°C



1054

EN 817

I (ISO 3822)

50 - 1000 kPa

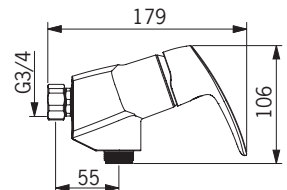
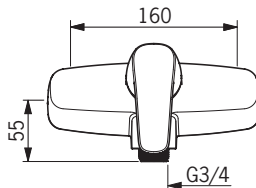
0.26 l/s (300 kPa)

0.2 l/s (300 kPa, with flow reducers)

180 kPa (0.2 l/s)

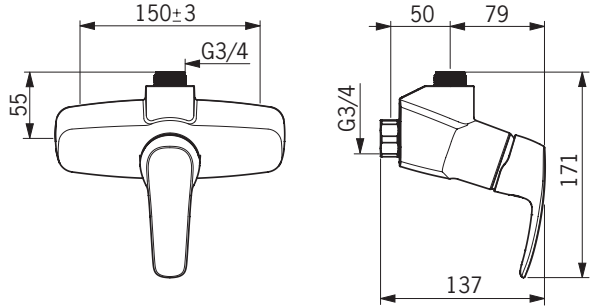
300 kPa (0.2 l/s, with flow reducers)

max. +80°C



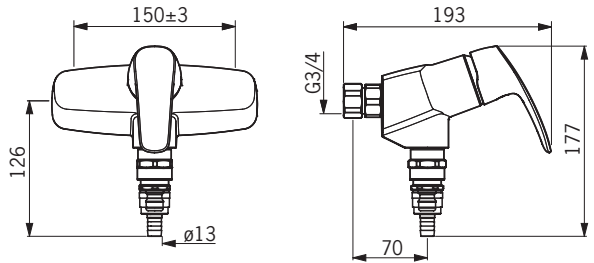
1055

EN 817
 I (ISO 3822)
 50 - 1000 kPa
 0.26 l/s (300 kPa)
 0.2 l/s (300 kPa, with flow reducers)
 180 kPa (0.2 l/s)
 300 kPa (0.2 l/s, with flow reducers)
 max. +80°C



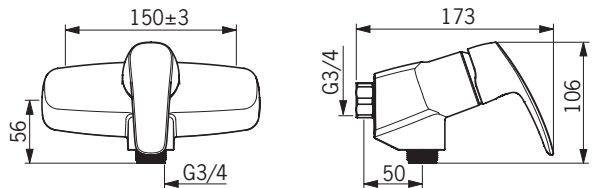
1056

EN 817
 I (ISO 3822) (0.2 l/s)
 50 - 1000 kPa
 0.29 l/s (300 kPa)
 0.2 l/s (300 kPa, with flow reducers)
 140 kPa (0.2 l/s)
 300 kPa (0.2 l/s, with flow reducers)
 max. +80°C



1070

EN 817
 I (ISO 3822)
 50 - 1000 kPa
 0.26 l/s (300 kPa)
 0.2 l/s (300 kPa, with flow reducers)
 180 kPa (0.2 l/s)
 300 kPa (0.2 l/s, with flow reducers)
 max. +80°C



1073

EN 817

I (ISO 3822) (0.2 l/s)

50 - 1000 kPa

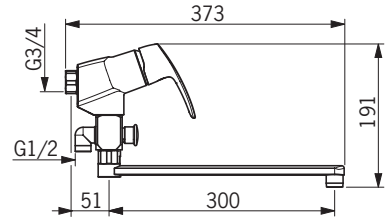
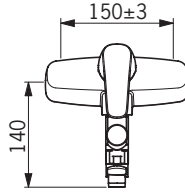
0.25 l/s (300 kPa)

0.2 l/s (300 kPa, with flow reducers)

190 kPa (0.2 l/s)

300 kPa (0.2 l/s, with flow reducers)

max. +80°C



1073X

EN 817

I (ISO 3822) (0.2 l/s)

50 - 1000 kPa

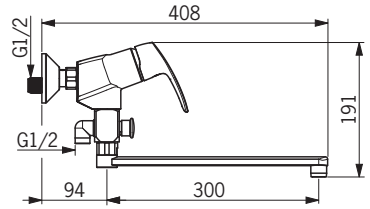
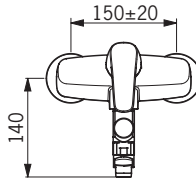
0.25 l/s (300 kPa)

0.2 l/s (300 kPa, with flow reducers)

190 kPa (0.2 l/s)

300 kPa (0.2 l/s, with flow reducers)

max. +80°C



1074

EN 817

I (ISO 3822) (0.2 l/s)

50 - 1000 kPa

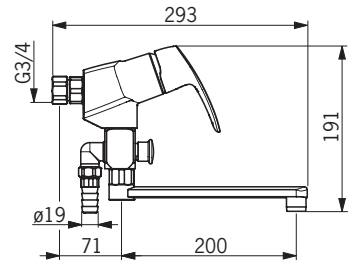
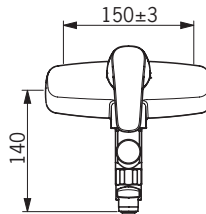
0.25 l/s (300 kPa)

0.2 l/s (300 kPa, with flow reducers)

200 kPa (0.2 l/s)

300 kPa (0.2 l/s, with flow reducers)

max. +80°C



1074X

EN 817

1 (ISO 3822) (0.2 l/s)

50 - 1000 kPa

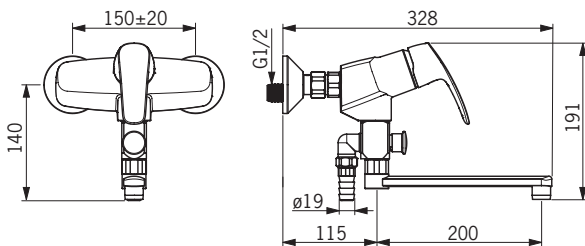
0.25 l/s (300 kPa)

0.2 l/s (300 kPa, with flow reducers)

190 kPa (0.2 l/s)

300 kPa (0.2 l/s, with flow reducers)

max. +80°C



1075

EN 817

1 (ISO 3822) (0.2 l/s) Oras lab.

50- 1000 kPa

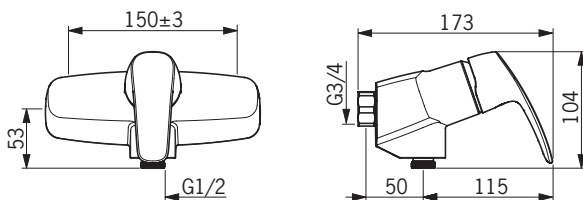
0.26 l/s (300 kPa)

0.2 l/s (300 kPa, with flow reducers)

180 kPa (0.2 l/s)

300 kPa (0.2 l/s, with flow reducers)

max. +80°C



1075X

EN 817

1 (ISO 3822) (0.2 l/s) Oras lab.

50 - 1000 kPa

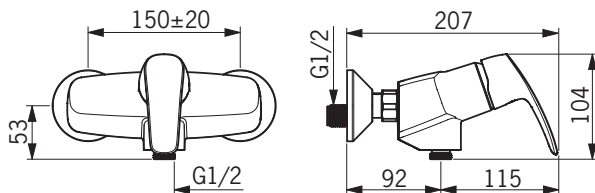
0.26 l/s (300 kPa)

0.2 l/s (300 kPa, with flow reducers)

180 kPa (0.3 l/s)

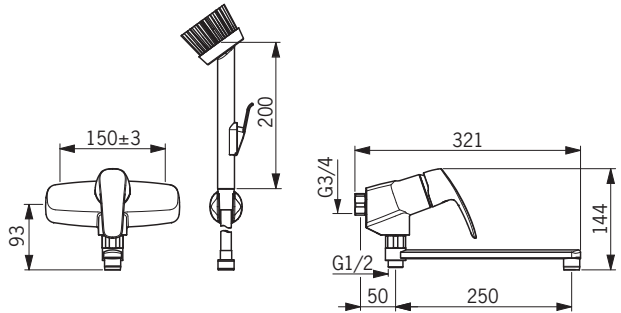
300 kPa (0.2 l/s, with flow reducers)

max. +80°C



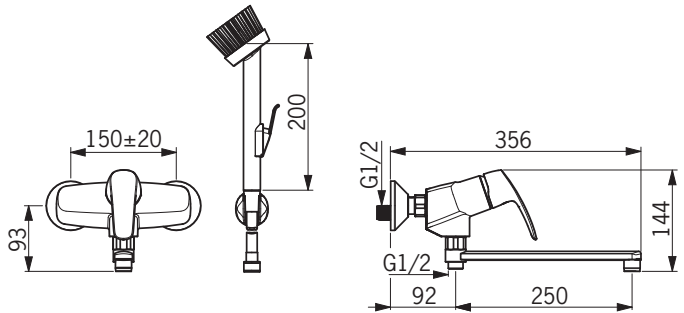
1077

EN 817
 I (ISO 3822)
 50 - 1000 kPa
 0.17 l/s (300 kPa)
 100 kPa (0.1 l/s)
 max. +80°C



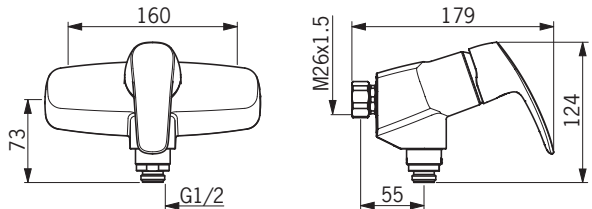
1077X

EN 817
 I (ISO 3822)
 50 - 1000 kPa
 0.17 l/s (300 kPa)
 100 kPa (0.1 l/s)
 max. +80°C



1085

EN 817
 I (ISO 3822) Oras lab.
 50 - 1000 kPa
 0.26 l/s (300 kPa)
 175 kPa (0.2 l/s)
 max. +80°C



1072

EN 817

I (ISO 3822) (0.2 l/s)

II (ISO 3822) (0.3 l/s)

50 - 1000 kPa

0.33 l/s (300 kPa)

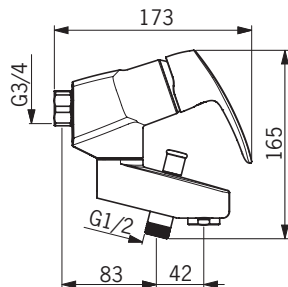
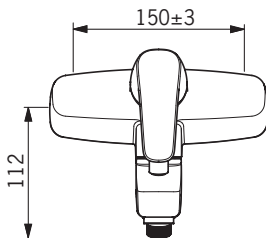
0.2 l/s (300 kPa, with flow reducers)

160 kPa (0.2 l/s)

260 kPa (0.3 l/s)

300 kPa (0.2 l/s, with flow reducers)

max. +80°C



1072X

EN 817

I (ISO 3822) (0.2 l/s)

II (ISO 3822) (0.3 l/s)

50 - 1000 kPa

0.33 l/s (300 kPa)

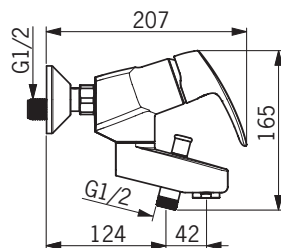
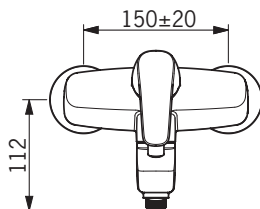
0.2 l/s (300 kPa, with flow reducers)

160 kPa (0.2 l/s)

260 kPa (0.3 l/s)

300 kPa (0.2 l/s, with flow reducers)

max. +80°C



1063U

EN 817

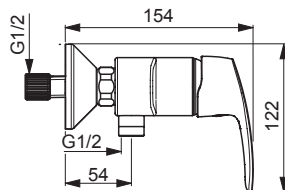
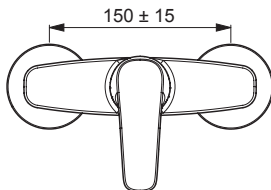
I (ISO 3822) Oras lab.

50 - 1000 kPa

0.26 l/s (300 kPa)

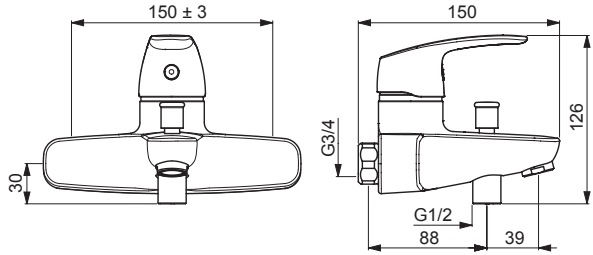
180 kPa (0.2 l/s)

max. +80°C



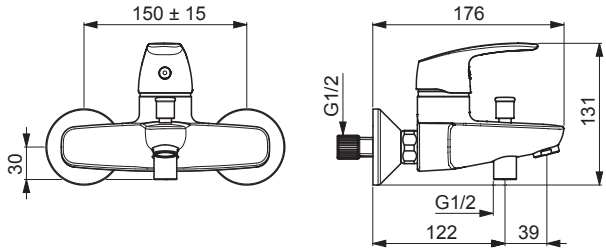
1040

EN 817
 II (ISO 3822) Oras lab.
 50 - 1000 kPa
 0.32 l/s (300 kPa)
 260 kPa (0.3 l/s)
 max. +80°C



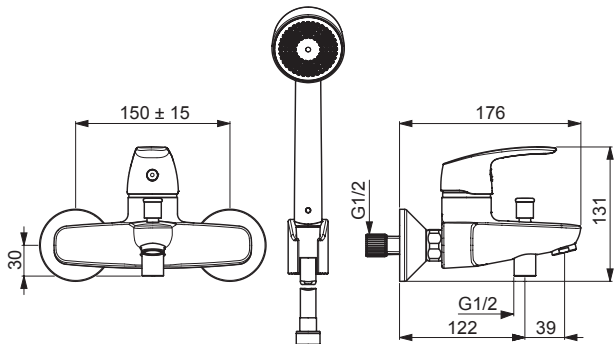
1040U

EN 817
 II (ISO 3822) Oras lab.
 50 - 1000 kPa
 0.32 l/s (300 kPa)
 260 kPa (0.3 l/s)
 max. +80°C



1041U

EN 817
 I (ISO 3822) Oras lab.
 50 - 1000 kPa
 0.32 l/s (300 kPa)
 260 kPa (0.3 l/s)
 max. +80°C



1066 (1070+200100+211225+520)

EN 817

I (ISO 3822) (0.2 l/s)

50 - 1000 kPa

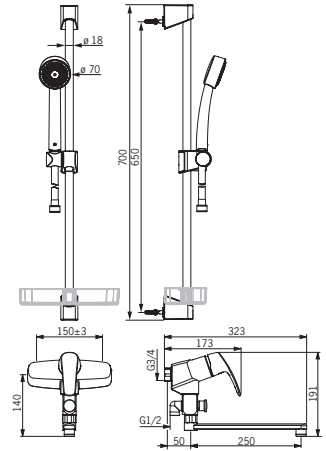
0.25 l/s (300 kPa)

0.2 l/s (300 kPa, with flow reducers)

190 kPa (0.2 l/s)

300 kPa (0.2 l/s, with flow reducers)

max. +80°C



1067 (1072+520-11)

EN 817

I (ISO 3822) (0.2 l/s)

II (ISO 3822) (0.3 l/s)

50 - 1000 kPa

0.33 l/s (300 kPa)

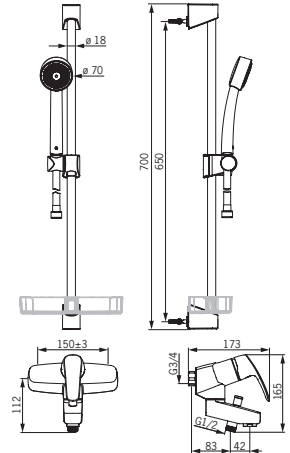
0.2 l/s (300 kPa, with flow reducers)

160 kPa (0.2 l/s)

260 kPa (0.3 l/s)

300 kPa (0.2 l/s, with flow reducers)

max. +80°C



1068 (1072+520)

EN 817

I (ISO 3822) (0.2 l/s)

II (ISO 3822) (0.3 l/s)

50 - 1000 kPa

0.33 l/s (300 kPa)

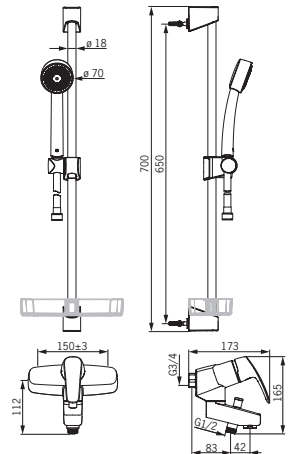
0.2 l/s (300 kPa, with flow reducers)

160 kPa (0.2 l/s)

260 kPa (0.3 l/s)

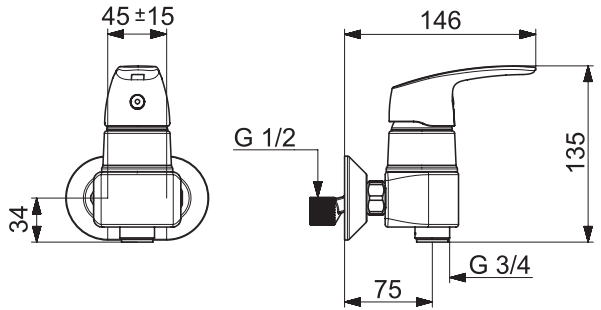
300 kPa (0.2 l/s, with flow reducers)

max. +80°C



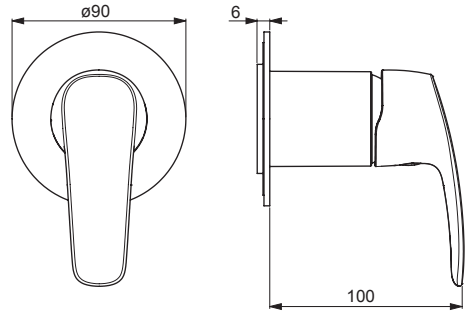
1069

EN 817
50- 1000 kPa
max. +80°C



1065C

max. +80°C



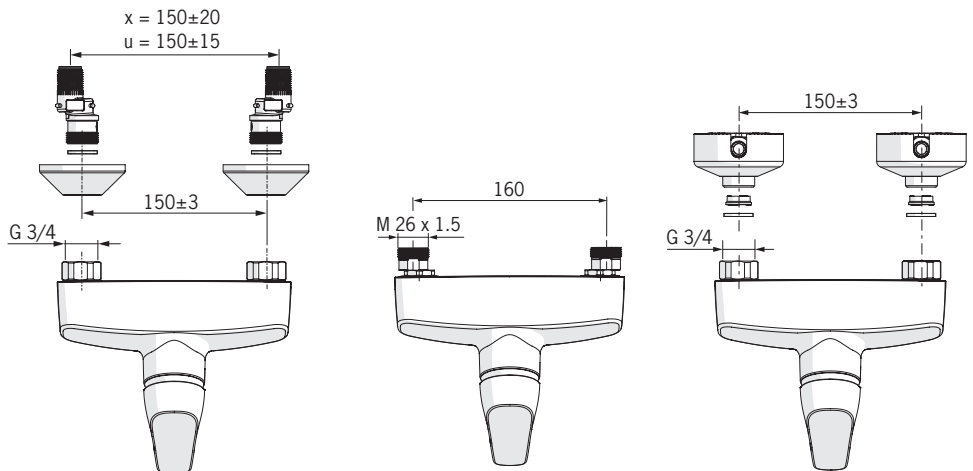
Installation

CZ Montáž
DE Montage
DK Installation
EE Paigaldus
ES Montaje

FI Asennus
FR Installation
IT Montaggio
LT Montavimas
LV Montāža

NL Installatie
NO Montering
PL Instalacja
RO Instalare

RU Установка
SE Installation
SK Inštalácia
UA Встановлення



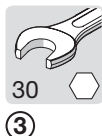
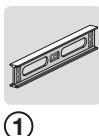
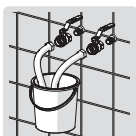
Installation

CZ Montáž
DE Montage
DK Installation
EE Paigaldus
ES Montaje

FI Asennus
FR Installation
IT Montaggio
LT Montavimas
LV Montāža

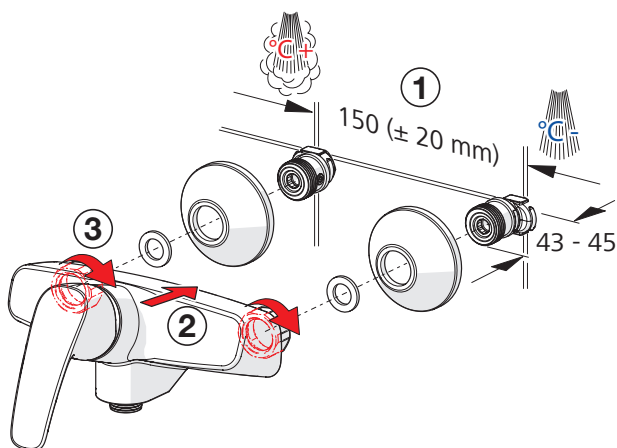
NL Installatie
NO Montering
PL Instalacja
RO Instalare

RU Установка
SE Installation
SK Inštalácia
UA Встановлення

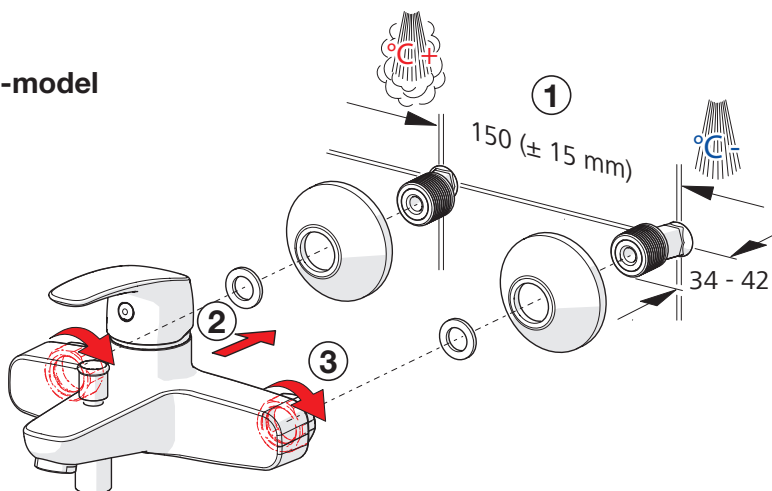


max.
1600 kPa

X-model



U-model



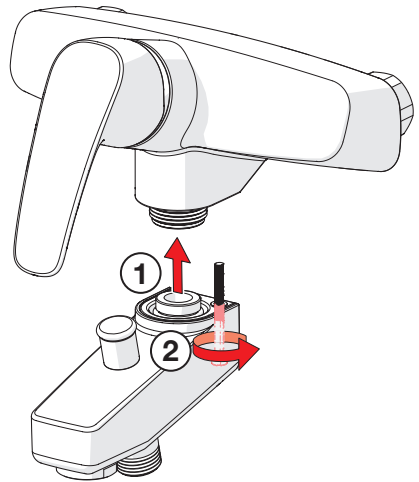
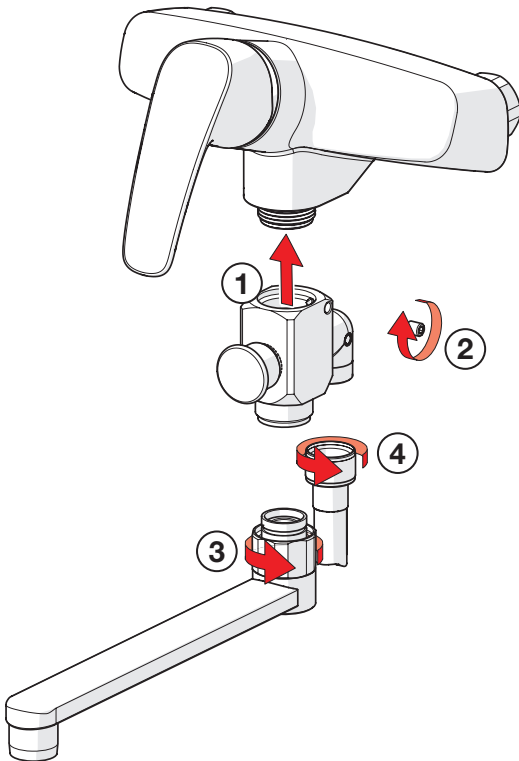
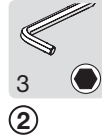
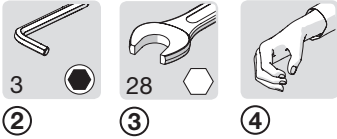
Installation

CZ Montáž
DE Montage
DK Installation
EE Paigaldus
ES Montaje

FI Asennus
FR Installation
IT Montaggio
LT Montavimas
LV Montāža

NL Installatie
NO Montering
PL Instalacja
RO Instalare

RU Установка
SE Installation
SK Inštalácia
UA Встановлення



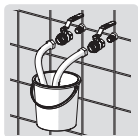
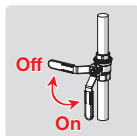
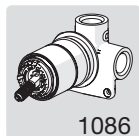
Installation

CZ Montáž
DE Montage
DK Installation
EE Paigaldus
ES Montaje

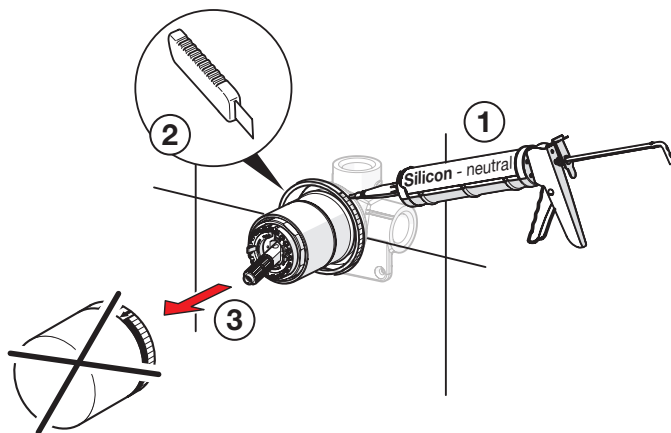
FI Asennus
FR Installation
IT Montaggio
LT Montavimas
LV Montāža

NL Installatie
NO Montering
PL Instalacja
RO Instalare

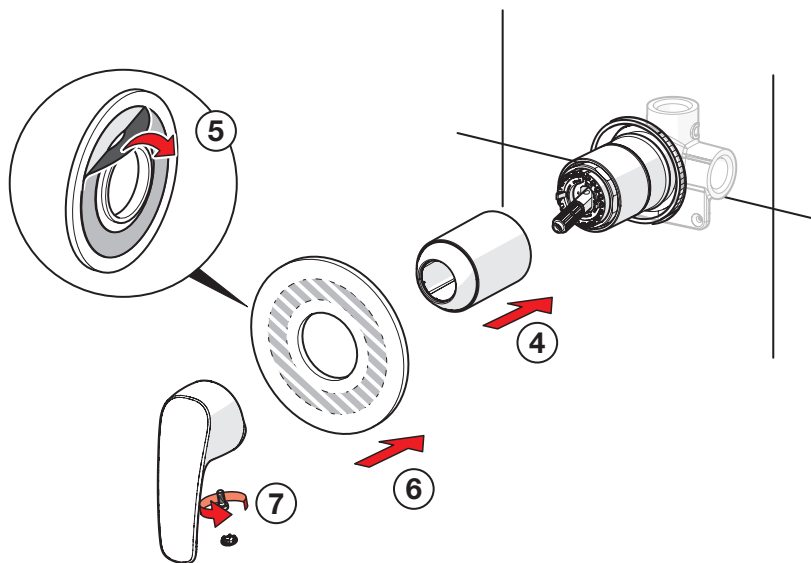
RU Установка
SE Installation
SK Inštalácia
UA Встановлення



1



2



To change the cartridge

CZ Výměna kartuše

DE Ein- und Ausbau der Kartusche

DK Udskiiftning af reguleringskassette (unit)

EE Seadeosa vahetus

ES Montaje del cartucho

FI Säätöosan vaihto

FR Montage et démontage de la cartouche

IT Montaggio della cartuccia

LT Valdanciosios kasetės pakeitimas

LV Regulēšanas mehānisma kasetes maiņa

NL Vervangen van het keramische binnenwerk

NO Skifting av kassett

PL Wymiana modułu sterującego

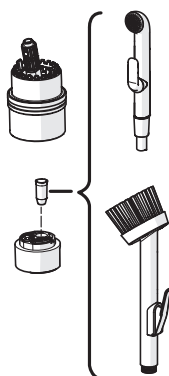
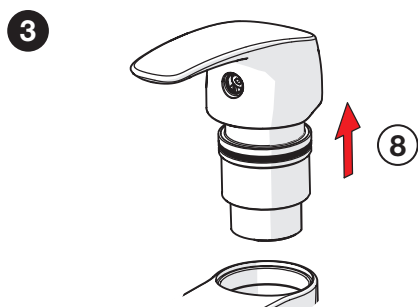
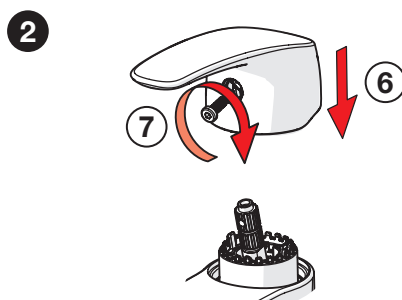
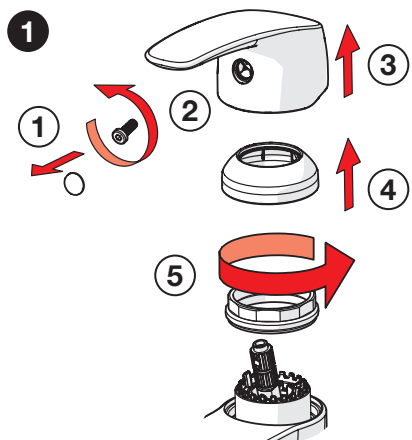
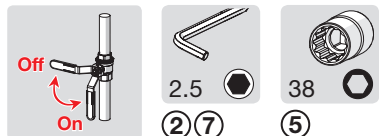
RO Înlocuirea cartușului

RU Замена регулировочного блока

SE Byte av kassett

SK Výměna kartuše

UA Заміна регулювального блоку



Changing the diverter

CZ Výměna přepínače

DE Wartung des Umstellers

DK Udskiftning af omskifter

EE Suundvahetaja vahetamine

ES Cambiar la inversor

FI Vaihtimen vaihto

FR Changement de l'inverseur

IT Sostituzione della deviatore

LT Perjungiklio pakeitimas

LV Trīseju vārsts maiņa

NL Omsteller vervangen

NO Bytting av omkaster

PL Wymiana przełącznika

RO Înlocuirea divertorului

RU Замена переключателя

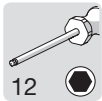
SE Byte av omkastare

SK Výměna prepínača

UA Заміна перемикача



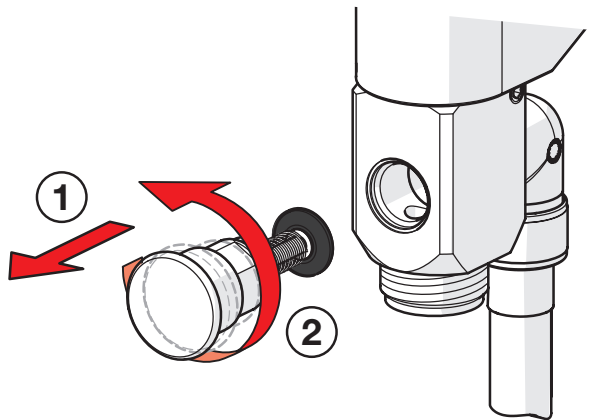
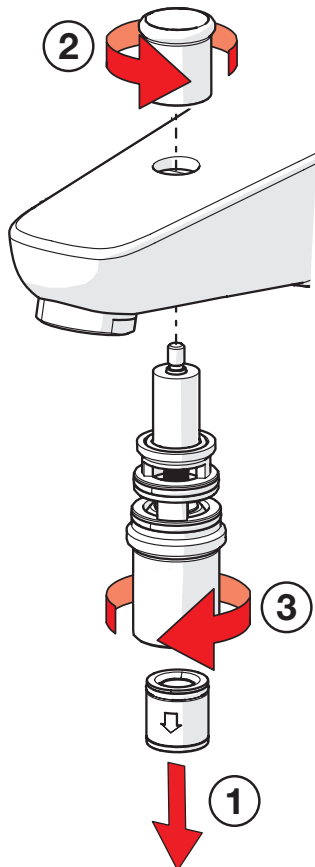
①



③

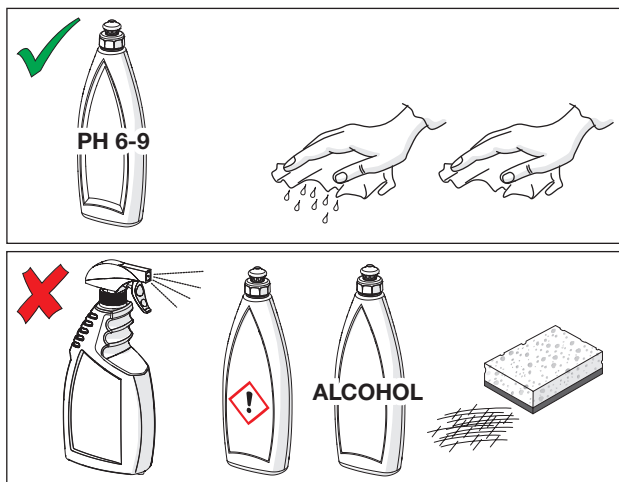


②



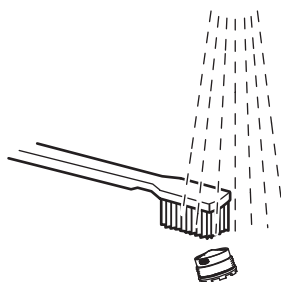
Cleaning the faucet

CZ Čištění baterie	FR Nettoyage du robinet	PL Czyszczenie baterii
DE Reinigung der Armatur	IT Pulizia della rubinetteria	RO Curățire
DK Rengøring af armaturet	LT Maišytuvo valymas	RU Чистка смесителя
EE Puhastamine	LV Krāna tīrīšana	SE Rengöring av blandarna
ES Limpieza de la grifería	NL Reinigen van de kraan	SK Čistenie vodovodnej batérie
FI Puhdistus	NO Rengjøring av kranen	UA Чищення змішувача



Cleaning/changing the aerator

CZ Čištění/Výměna perlátoru	LV Aeratora tīrīšana/maiņa
DE Reinigung/Wechseln des Luftsprudlers	NL Reinigen/veranderen van de perlator
DK Rensning/Udskiftning af perlator	NO Rensing/Bytting av strålesamler
EE Õhusti puhastamine/vahetamine	PL Czyszczenie/Wymiana perlatora
ES Limpieza/Cambiar el aireador	RO Curățirea/Înlocuirea aeratorului
FI Poresuuttimen puhdistaminen/vaihtaminen	RU Очистка и замена аэратора
FR Nettoyage/Changement de l'aérateur	SE Rengöring/Byte av strålsamlare
IT Pulizia/Sostituzione dell'aeratore	SK Čistenie/Výměna perlátora
LT Aeratoriaus valymas ir pakeitimas	UA Чищення та заміна аератора



Spare parts

CZ Náhradní díly

FI Varaosat

NL Reserve-onderdelen

RU Запасные части

DE Ersatzteile

FR Pièces détachées

NO Reservedeler

SE Reservdelar

DK Reservedele

IT Pezzi di ricambio

PL Części zamienne

SK Náhradné diely

EE Varuosad

LT Atsarginės dalys

RO Piese de schimb

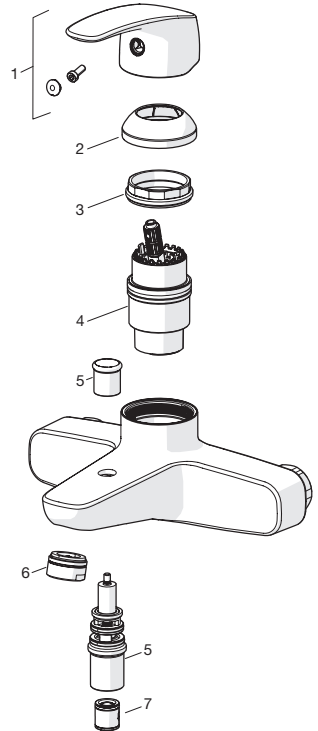
UA Запасні частини

ES Piezas de recambio

LV Rezerves daļas

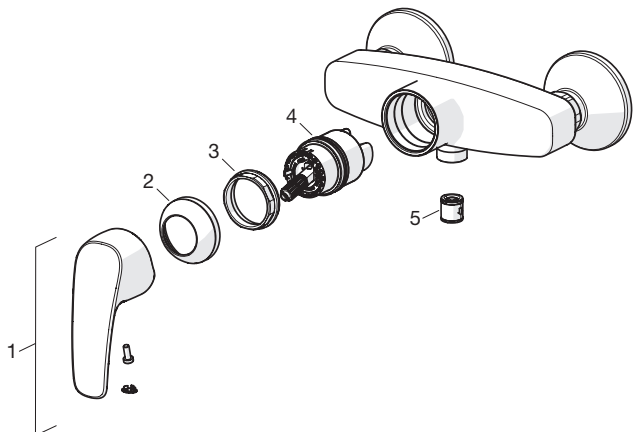
1040, 1040U, 1041U,

- 1 602502V
- 2 602503V
- 3 158726
- 4 158890
- 5 602103V
- 6 601987V
- 7 601989V



1063U

- 1 602502V
- 2 602503V
- 3 158726
- 4 158890
- 5 601989V

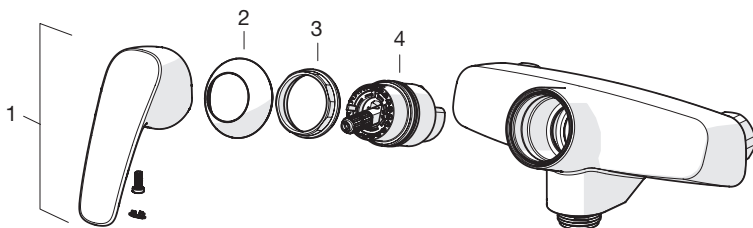


Spare parts

CZ Náhradní díly	FI Varaosat	NL Reserve-onderdelen	RU Запасные части
DE Ersatzteile	FR Pièces détachées	NO Reservedeler	SE Reservdelar
DK Reservedele	IT Pezzi di ricambio	PL Części zamienne	SK Náhradné diely
EE Varuosad	LT Atsarginės dalys	RO Piese de schimb	UA Запасні частини
ES Piezas de recambio	LV Rezerves daļas		

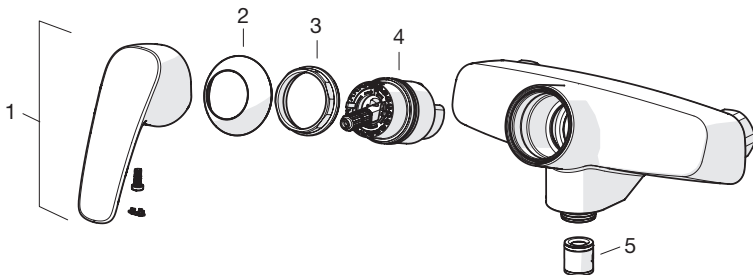
**1016, 1036, 1054, 1055, 1056, 1070, 1073,
1073X, 1074, 1074X, 1077, 1077X, 1085**

- 1 602502V
- 2 1000785V
- 3 158726
- 4 158890



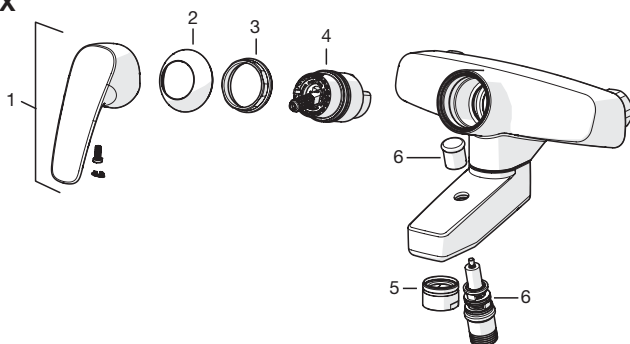
1075, 1075X

- 1 602502V
- 2 1000785V
- 3 158726
- 4 158890
- 5 601989V



1066, 1067, 1068, 1072, 1072X

- 1 602502V
- 2 1000785V
- 3 158726
- 4 158890
- 5 232213
- 6 601988V



Spare parts

CZ Náhradní díly

FI Varaosat

NL Reserve-onderdelen

RU Запасные части

DE Ersatzteile

FR Pièces détachées

NO Reservedeler

SE Reservdelar

DK Reservedele

IT Pezzi di ricambio

PL Części zamienne

SK Náhradné diely

EE Varuosad

LT Atsarginės dalys

RO Piese de schimb

UA Запасні частини

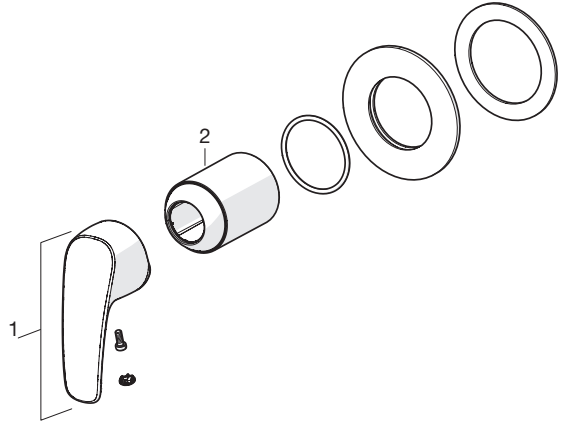
ES Piezas de recambio

LV Rezerves daļas

1065C

1 602502V

2 602637V



1069

1 602502V

2 602503V

3 159428

4 158726

5 158890



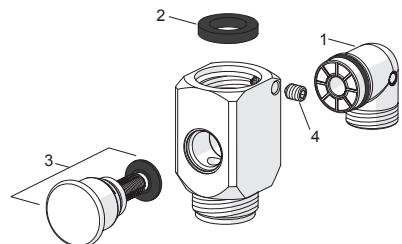
200100

1 209692

2 209675/10

3 209695

4 229518/10



Oras Group is a powerful European provider of sanitary fittings: the market leader in the Nordics and a leading company in Continental Europe. The company's mission is to make the use of water easy and sustainable and its vision is to become the European leader of advanced sanitary fittings. Oras Group has two strong brands: Oras and Hansa.

The Group's head office is located in Rauma, Finland, and the Group has three manufacturing sites: Kralovice (Czech Republic), Olesno (Poland) and Rauma (Finland). Oras Group employs approximately 1,200 people in twenty countries. Oras Group is owned by Oras Invest, a family company and an industrial owner.

ORAS Ltd
Isometsäntie 2, P.O. Box 40
FI-26101 Rauma
Tel. +358 2 83 161
Fax +358 2 831 6300
info.finland@oras.com
www.oras.com



943226-07-17