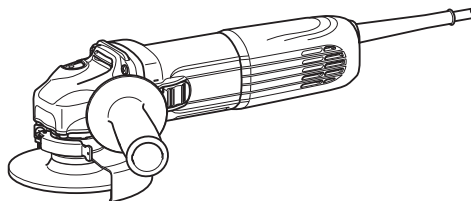




EN	Angle Grinder	INSTRUCTION MANUAL	5
SV	Vinkelslipmaskin	BRUKSANVISNING	15
NO	Vinkelsliper	BRUKSANVISNING	25
FI	Kulmahiomakone	KÄYTTÖOHJE	35
LV	Leņķa slīpmašīna	LIETOŠANAS INSTRUKCIJA	45
LT	Kampinis šlifuoklis	NAUDOJIMO INSTRUKCIJA	55
ET	Nurklihvkäi	KASUTUSJUHEND	65
RU	Угловая шлифмашина	РУКОВОДСТВО ПО ЭКСПЛУАТАЦИИ	75

GA4040C
GA4540C
GA5040C
GA5040CN
GA6040C
GA4041C
GA4541C
GA5041C



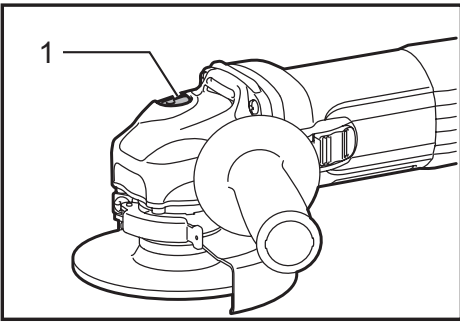


Fig.1

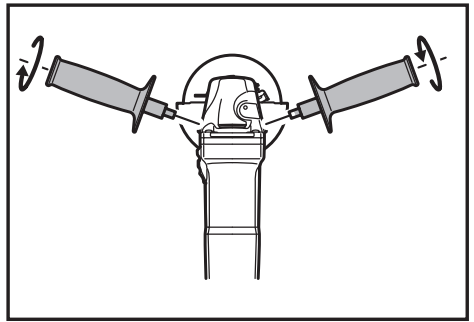


Fig.5

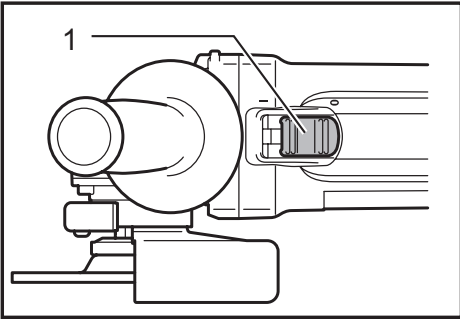


Fig.2

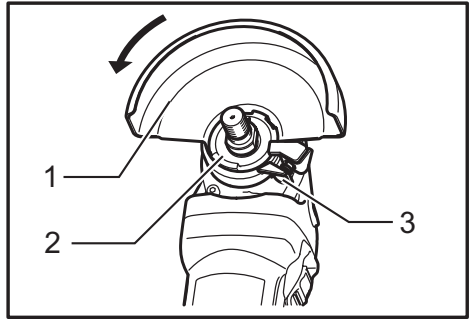


Fig.6

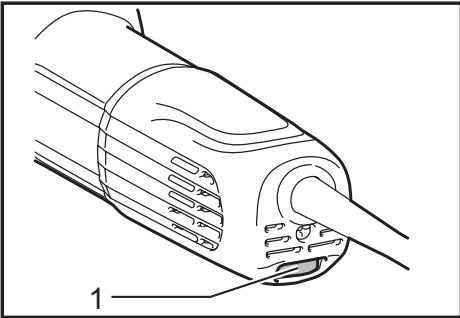


Fig.3

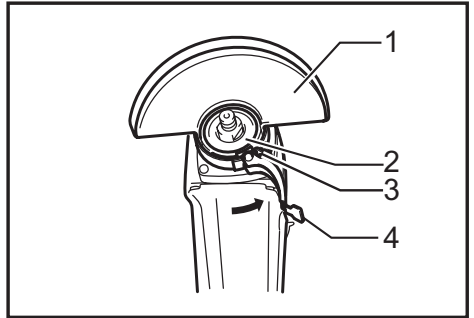


Fig.7

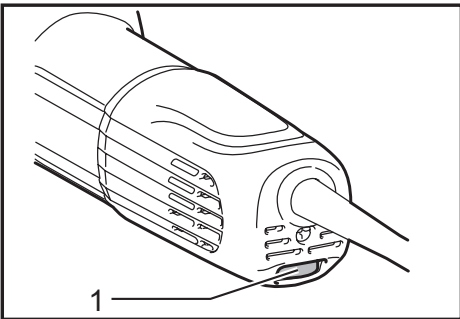


Fig.4

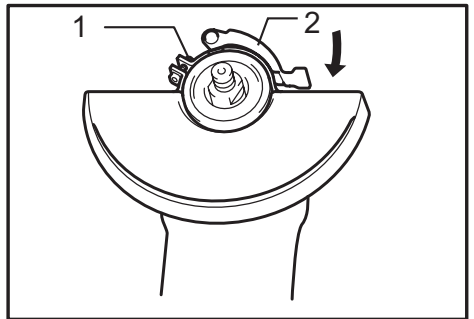


Fig.8

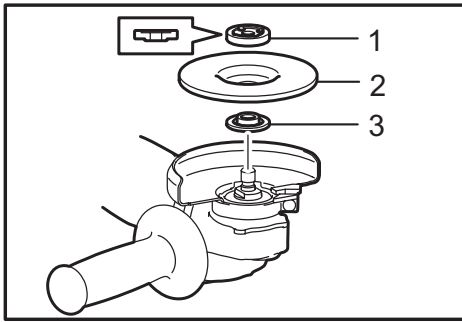


Fig.9

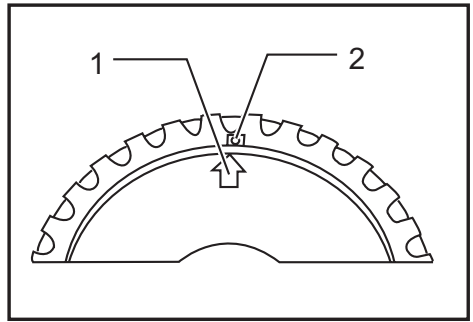


Fig.13

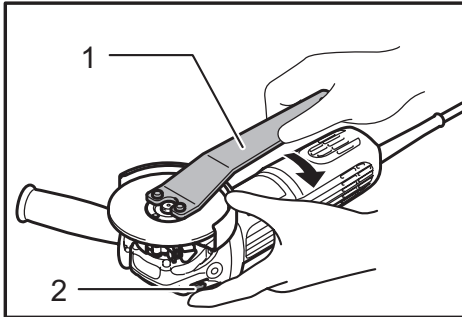


Fig.10

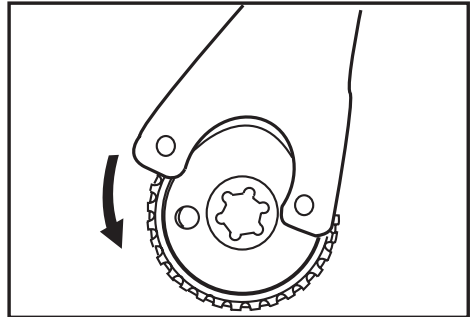


Fig.14

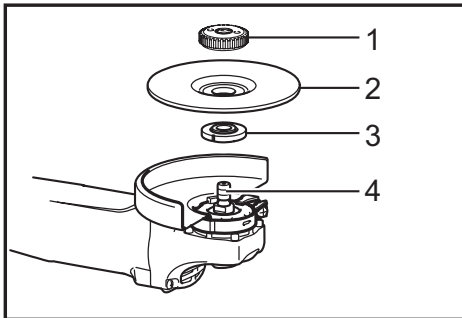


Fig.11

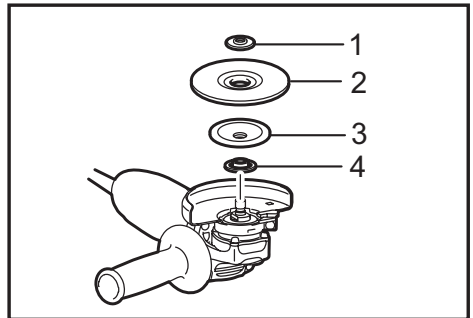


Fig.15

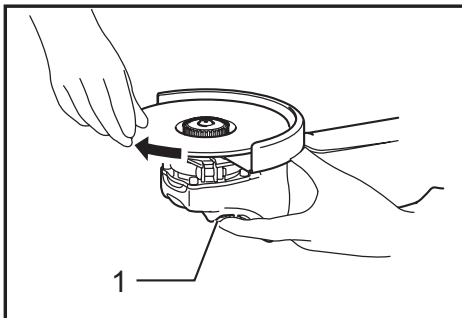


Fig.12

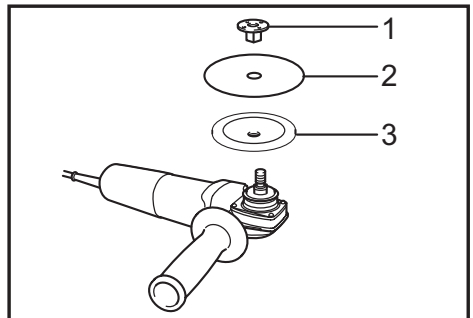


Fig.16

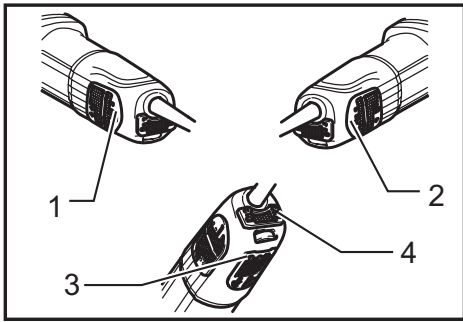


Fig.17

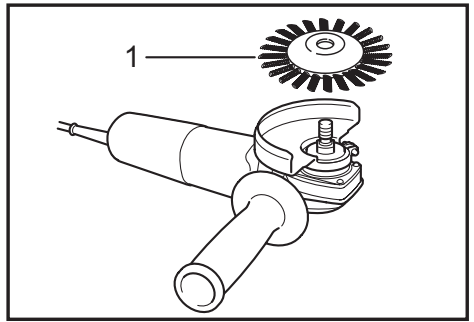


Fig.21

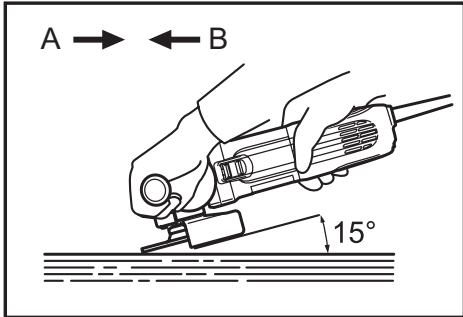


Fig.18

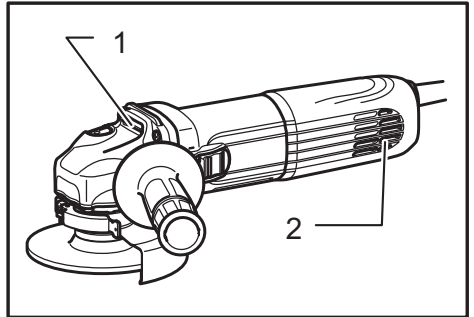


Fig.22

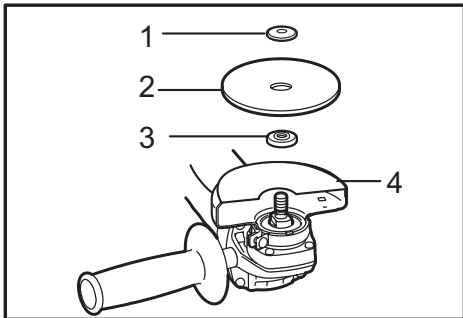


Fig.19

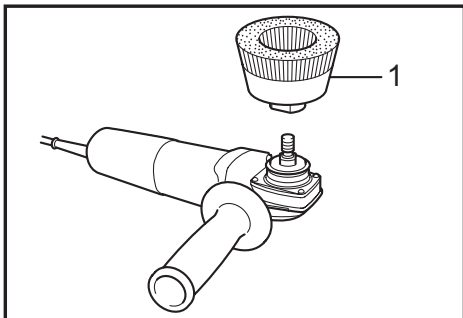


Fig.20

SPECIFICATIONS

Model	GA4040C	GA4041C	GA4540C	GA4541C	GA5040C / GA5040CN	GA5041C	GA6040C
Wheel diameter	100 mm (4")		115 mm (4-1/2")		125 mm (5")		150 mm (6")
Max. wheel thickness	6.4 mm		7.2 mm				6.4 mm
Spindle thread	M10		M14 or 5/8" (country specific)				
Rated speed (n) / No load speed (n ₀)	11,000 min ⁻¹		11,000 min ⁻¹		11,000 min ⁻¹		9,000 min ⁻¹
Overall length	303 mm	325 mm	303 mm	325 mm	303 mm	325 mm	303 mm
Net weight	2.3 kg	2.6 kg	2.5 kg	2.7 kg	2.5 kg	2.7 kg	2.6 kg
Safety class	II/III						

- Due to our continuing program of research and development, the specifications herein are subject to change without notice.
- Specifications may differ from country to country.
- Weight according to EPTA-Procedure 01/2003

Intended use

The tool is intended for grinding, sanding and cutting of metal and stone materials without the use of water.

Power supply

The tool should be connected only to a power supply of the same voltage as indicated on the nameplate, and can only be operated on single-phase AC supply. They are double-insulated and can, therefore, also be used from sockets without earth wire.

Noise

The typical A-weighted noise level determined according to EN60745:

Model GA4040C, GA4540C, GA5040C

Sound pressure level (L_{pA}) : 86 dB(A)

Sound power level (L_{WA}) : 97 dB(A)

Uncertainty (K) : 3 dB(A)

Model GA6040C

Sound pressure level (L_{pA}) : 87 dB(A)

Sound power level (L_{WA}) : 98 dB(A)

Uncertainty (K) : 3 dB(A)

Model GA4541C

Sound pressure level (L_{pA}) : 83 dB(A)

Sound power level (L_{WA}) : 94 dB(A)

Uncertainty (K) : 3 dB(A)

Model GA5041C

Sound pressure level (L_{pA}) : 84 dB(A)

Sound power level (L_{WA}) : 95 dB(A)

Uncertainty (K) : 3 dB(A)

Wear ear protection

Vibration

The vibration total value (tri-axial vector sum) determined according to EN60745:

Model GA4040C

Work mode : surface grinding with normal side grip

Vibration emission (a_{h,AG}) : 5.0 m/s²

Uncertainty (K) : 1.5 m/s²

Work mode : surface grinding with anti vibration side grip

Vibration emission (a_{h,AG}) : 5.0 m/s²

Uncertainty (K) : 1.5 m/s²

Work mode : disc sanding with normal side grip

Vibration emission (a_{h,DS}) : 3.0 m/s²

Uncertainty (K) : 1.5 m/s²

Work mode : disc sanding with anti vibration side grip

Vibration emission (a_{h,DS}) : 2.5 m/s² or less

Uncertainty (K) : 1.5 m/s²

Model GA4540C

Work mode : surface grinding with normal side grip

Vibration emission (a_{h,AG}) : 6.0 m/s²

Uncertainty (K) : 1.5 m/s²

Work mode : surface grinding with anti vibration side grip

Vibration emission (a_{h,AG}) : 5.5 m/s²

Uncertainty (K) : 1.5 m/s²

Work mode : disc sanding with normal side grip

Vibration emission (a_{h,DS}) : 2.5 m/s²

Uncertainty (K) : 1.5 m/s²

Work mode : disc sanding with anti vibration side grip

Vibration emission (a_{h,DS}) : 2.5 m/s²

Uncertainty (K) : 1.5 m/s²

Model GA5040C

Work mode : surface grinding with normal side grip

Vibration emission (a_{h,AG}) : 6.5 m/s²

Uncertainty (K) : 1.5 m/s²

Work mode : surface grinding with anti vibration side grip

Vibration emission (a_{h,AG}) : 5.5 m/s²

Uncertainty (K) : 1.5 m/s²

Work mode : disc sanding with normal side grip

Vibration emission (a_{h,DS}) : 2.5 m/s²

Uncertainty (K) : 1.5 m/s²

Work mode : disc sanding with anti vibration side grip

Vibration emission (a_{h,DS}) : 2.5 m/s²

Uncertainty (K) : 1.5 m/s²

Model GA6040C

Work mode : surface grinding with normal side grip

Vibration emission (a_{h,AG}) : 6.5 m/s²

Uncertainty (K) : 1.5 m/s²

Work mode : surface grinding with anti vibration side grip

Vibration emission ($a_{h,AG}$) : 6.0 m/s²

Uncertainty (K) : 1.5 m/s²

Work mode : disc sanding with normal side grip

Vibration emission ($a_{h,DS}$) : 2.5 m/s²

Uncertainty (K) : 1.5 m/s²

Work mode : disc sanding with anti vibration side grip

Vibration emission ($a_{h,DS}$) : 2.5 m/s² or less

Uncertainty (K) : 1.5 m/s²

Model GA4541C

Work mode : surface grinding with normal side grip

Vibration emission ($a_{h,AG}$) : 6.5 m/s²

Uncertainty (K) : 1.5 m/s²

Work mode : surface grinding with anti vibration side grip

Vibration emission ($a_{h,AG}$) : 5.5 m/s²

Uncertainty (K) : 1.5 m/s²

Work mode : disc sanding with normal side grip

Vibration emission ($a_{h,DS}$) : 2.5 m/s² or less

Uncertainty (K) : 1.5 m/s²

Work mode : disc sanding with anti vibration side grip

Vibration emission ($a_{h,DS}$) : 2.5 m/s² or less

Uncertainty (K) : 1.5 m/s²

Model GA5041C

Work mode : surface grinding with normal side grip

Vibration emission ($a_{h,AG}$) : 7.0 m/s²

Uncertainty (K) : 1.5 m/s²

Work mode : surface grinding with anti vibration side grip

Vibration emission ($a_{h,AG}$) : 6.0 m/s²

Uncertainty (K) : 1.5 m/s²

Work mode : disc sanding with normal side grip

Vibration emission ($a_{h,DS}$) : 2.5 m/s² or less

Uncertainty (K) : 1.5 m/s²

Work mode : disc sanding with anti vibration side grip

Vibration emission ($a_{h,DS}$) : 2.5 m/s² or less

Uncertainty (K) : 1.5 m/s²

NOTE: The declared vibration emission value has been measured in accordance with the standard test method and may be used for comparing one tool with another.

NOTE: The declared vibration emission value may also be used in a preliminary assessment of exposure.

NOTE: The declared vibration emission value is used for main applications of the power tool. However if the power tool is used for other applications, the vibration emission value may be different.

WARNING: The vibration emission during actual use of the power tool can differ from the declared emission value depending on the ways in which the tool is used.

WARNING: Be sure to identify safety measures to protect the operator that are based on an estimation of exposure in the actual conditions of use (taking account of all parts of the operating cycle such as the times when the tool is switched off and when it is running idle in addition to the trigger time).

For European countries only

EC Declaration of Conformity

Makita declares that the following Machine(s):

Designation of Machine:

Angle Grinder

Model No./ Type: GA4040C, GA4540C, GA5040C, GA6040C, GA4541C, GA5041C

Conforms to the following European Directives:
2006/42/EC

They are manufactured in accordance with the following standard or standardized documents:

EN60745

The technical file in accordance with 2006/42/EC is available from:

Makita, Jan-Baptist Vinkstraat 2, 3070, Belgium

1.2.2016



Yasushi Fukaya

Director

Makita, Jan-Baptist Vinkstraat 2, 3070, Belgium

General Power Tool Safety Warnings

WARNING Read all safety warnings and all instructions. Failure to follow the warnings and instructions may result in electric shock, fire and/or serious injury.

Save all warnings and instructions for future reference.

Grinder safety warnings

Safety Warnings Common for Grinding, Sanding, Wire Brushing, or Abrasive Cutting-Off Operations:

1. **This power tool is intended to function as a grinder, sander, wire brush or cut-off tool. Read all safety warnings, instructions, illustrations and specifications provided with this power tool.** Failure to follow all instructions listed below may result in electric shock, fire and/or serious injury.
2. **Operations such as polishing are not recommended to be performed with this power tool.** Operations for which the power tool was not designed may create a hazard and cause personal injury.
3. **Do not use accessories which are not specifically designed and recommended by the tool manufacturer.** Just because the accessory can be attached to your power tool, it does not assure safe operation.
4. **The rated speed of the accessory must be at least equal to the maximum speed marked on the power tool.** Accessories running faster than their rated speed can break and fly apart.
5. **The outside diameter and the thickness of your accessory must be within the capacity rating of your power tool.** Incorrectly sized accessories cannot be adequately guarded or controlled.

6. **Threaded mounting of accessories must match the grinder spindle thread. For accessories mounted by flanges, the arbour hole of the accessory must fit the locating diameter of the flange.** Accessories that do not match the mounting hardware of the power tool will run out of balance, vibrate excessively and may cause loss of control.
7. **Do not use a damaged accessory. Before each use inspect the accessory such as abrasive wheels for chips and cracks, backing pad for cracks, tear or excess wear, wire brush for loose or cracked wires. If power tool or accessory is dropped, inspect for damage or install an undamaged accessory. After inspecting and installing an accessory, position yourself and bystanders away from the plane of the rotating accessory and run the power tool at maximum no-load speed for one minute.** Damaged accessories will normally break apart during this test time.
8. **Wear personal protective equipment. Depending on application, use face shield, safety goggles or safety glasses. As appropriate, wear dust mask, hearing protectors, gloves and workshop apron capable of stopping small abrasive or workpiece fragments.** The eye protection must be capable of stopping flying debris generated by various operations. The dust mask or respirator must be capable of filtering particles generated by your operation. Prolonged exposure to high intensity noise may cause hearing loss.
9. **Keep bystanders a safe distance away from work area. Anyone entering the work area must wear personal protective equipment.** Fragments of workpiece or of a broken accessory may fly away and cause injury beyond immediate area of operation.
10. **Hold the power tool by insulated gripping surfaces only, when performing an operation where the cutting accessory may contact hidden wiring or its own cord.** Cutting accessory contacting a "live" wire may make exposed metal parts of the power tool "live" and could give the operator an electric shock.
11. **Position the cord clear of the spinning accessory.** If you lose control, the cord may be cut or snagged and your hand or arm may be pulled into the spinning accessory.
12. **Never lay the power tool down until the accessory has come to a complete stop.** The spinning accessory may grab the surface and pull the power tool out of your control.
13. **Do not run the power tool while carrying it at your side.** Accidental contact with the spinning accessory could snag your clothing, pulling the accessory into your body.
14. **Regularly clean the power tool's air vents.** The motor's fan will draw the dust inside the housing and excessive accumulation of powdered metal may cause electrical hazards.
15. **Do not operate the power tool near flammable materials.** Sparks could ignite these materials.
16. **Do not use accessories that require liquid coolants.** Using water or other liquid coolants may result in electrocution or shock.

Kickback and Related Warnings

Kickback is a sudden reaction to a pinched or snagged rotating wheel, backing pad, brush or any other accessory. Pinching or snagging causes rapid stalling of the rotating accessory which in turn causes the uncontrolled power tool to be forced in the direction opposite of the accessory's rotation at the point of the binding. For example, if an abrasive wheel is snagged or pinched by the workpiece, the edge of the wheel that is entering into the pinch point can dig into the surface of the material causing the wheel to climb out or kick out. The wheel may either jump toward or away from the operator, depending on direction of the wheel's movement at the point of pinching. Abrasive wheels may also break under these conditions.

Kickback is the result of power tool misuse and/or incorrect operating procedures or conditions and can be avoided by taking proper precautions as given below.

1. **Maintain a firm grip on the power tool and position your body and arm to allow you to resist kickback forces. Always use auxiliary handle, if provided, for maximum control over kickback or torque reaction during start-up.** The operator can control torque reactions or kickback forces, if proper precautions are taken.
2. **Never place your hand near the rotating accessory.** Accessory may kickback over your hand.
3. **Do not position your body in the area where power tool will move if kickback occurs.** Kickback will propel the tool in direction opposite to the wheel's movement at the point of snagging.
4. **Use special care when working corners, sharp edges etc. Avoid bouncing and snagging the accessory.** Corners, sharp edges or bouncing have a tendency to snag the rotating accessory and cause loss of control or kickback.
5. **Do not attach a saw chain woodcarving blade or toothed saw blade.** Such blades create frequent kickback and loss of control.

Safety Warnings Specific for Grinding and Abrasive Cutting-Off Operations:

1. **Use only wheel types that are recommended for your power tool and the specific guard designed for the selected wheel.** Wheels for which the power tool was not designed cannot be adequately guarded and are unsafe.
2. **The grinding surface of centre depressed wheels must be mounted below the plane of the guard lip.** An improperly mounted wheel that projects through the plane of the guard lip cannot be adequately protected.
3. **The guard must be securely attached to the power tool and positioned for maximum safety, so the least amount of wheel is exposed towards the operator.** The guard helps to protect the operator from broken wheel fragments, accidental contact with wheel and sparks that could ignite clothing.
4. **Wheels must be used only for recommended applications. For example: do not grind with the side of cut-off wheel.** Abrasive cut-off wheels are intended for peripheral grinding, side forces applied to these wheels may cause them to shatter.

5. **Always use undamaged wheel flanges that are of correct size and shape for your selected wheel.** Proper wheel flanges support the wheel thus reducing the possibility of wheel breakage. Flanges for cut-off wheels may be different from grinding wheel flanges.
6. **Do not use worn down wheels from larger power tools.** Wheel intended for larger power tool is not suitable for the higher speed of a smaller tool and may burst.

Additional Safety Warnings Specific for Abrasive Cutting-Off Operations:

1. **Do not “jam“ the cut-off wheel or apply excessive pressure. Do not attempt to make an excessive depth of cut.** Overstressing the wheel increases the loading and susceptibility to twisting or binding of the wheel in the cut and the possibility of kickback or wheel breakage.
2. **Do not position your body in line with and behind the rotating wheel.** When the wheel, at the point of operation, is moving away from your body, the possible kickback may propel the spinning wheel and the power tool directly at you.
3. **When wheel is binding or when interrupting a cut for any reason, switch off the power tool and hold the power tool motionless until the wheel comes to a complete stop. Never attempt to remove the cut-off wheel from the cut while the wheel is in motion otherwise kickback may occur.** Investigate and take corrective action to eliminate the cause of wheel binding.
4. **Do not restart the cutting operation in the workpiece. Let the wheel reach full speed and carefully re-enter the cut.** The wheel may bind, walk up or kickback if the power tool is restarted in the workpiece.
5. **Support panels or any oversized workpiece to minimize the risk of wheel pinching and kickback.** Large workpieces tend to sag under their own weight. Supports must be placed under the workpiece near the line of cut and near the edge of the workpiece on both sides of the wheel.
6. **Use extra caution when making a “pocket cut“ into existing walls or other blind areas.** The protruding wheel may cut gas or water pipes, electrical wiring or objects that can cause kickback.

Safety Warnings Specific for Sanding Operations:

1. **Do not use excessively oversized sanding disc paper. Follow manufacturers recommendations, when selecting sanding paper.** Larger sanding paper extending beyond the sanding pad presents a laceration hazard and may cause snagging, tearing of the disc or kickback.

Safety Warnings Specific for Wire Brushing Operations:

1. **Be aware that wire bristles are thrown by the brush even during ordinary operation. Do not overstress the wires by applying excessive load to the brush.** The wire bristles can easily penetrate light clothing and/or skin.
2. **If the use of a guard is recommended for wire brushing, do not allow any interference of the wire wheel or brush with the guard.** Wire wheel or brush may expand in diameter due to work load and centrifugal forces.

Additional Safety Warnings:

1. **When using depressed centre grinding wheels, be sure to use only fiberglass-reinforced wheels.**
2. **NEVER USE Stone Cup type wheels with this grinder.** This grinder is not designed for these types of wheels and the use of such a product may result in serious personal injury.
3. **Be careful not to damage the spindle, the flange (especially the installing surface) or the lock nut.** Damage to these parts could result in wheel breakage.
4. **Make sure the wheel is not contacting the workpiece before the switch is turned on.**
5. **Before using the tool on an actual workpiece, let it run for a while. Watch for vibration or wobbling that could indicate poor installation or a poorly balanced wheel.**
6. **Use the specified surface of the wheel to perform the grinding.**
7. **Do not leave the tool running. Operate the tool only when hand-held.**
8. **Do not touch the workpiece immediately after operation; it may be extremely hot and could burn your skin.**
9. **Observe the instructions of the manufacturer for correct mounting and use of wheels. Handle and store wheels with care.**
10. **Do not use separate reducing bushings or adaptors to adapt large hole abrasive wheels.**
11. **Use only flanges specified for this tool.**
12. **For tools intended to be fitted with threaded hole wheel, ensure that the thread in the wheel is long enough to accept the spindle length.**
13. **Check that the workpiece is properly supported.**
14. **Pay attention that the wheel continues to rotate after the tool is switched off.**
15. **If working place is extremely hot and humid, or badly polluted by conductive dust, use a short-circuit breaker (30 mA) to assure operator safety.**
16. **Do not use the tool on any materials containing asbestos.**
17. **When use cut-off wheel, always work with the dust collecting wheel guard required by domestic regulation.**
18. **Cutting discs must not be subjected to any lateral pressure.**
19. **Do not use cloth work gloves during operation.** Fibers from cloth gloves may enter the tool, which causes tool breakage.

SAVE THESE INSTRUCTIONS.

⚠WARNING: DO NOT let comfort or familiarity with product (gained from repeated use) replace strict adherence to safety rules for the subject product. MISUSE or failure to follow the safety rules stated in this instruction manual may cause serious personal injury.

FUNCTIONAL DESCRIPTION

⚠ CAUTION:

- Always be sure that the tool is switched off and unplugged before adjusting or checking function on the tool.

Shaft lock

► Fig.1: 1. Shaft lock

⚠ CAUTION:

- Never actuate the shaft lock when the spindle is moving. The tool may be damaged.

Press the shaft lock to prevent spindle rotation when installing or removing accessories.

Switch action

► Fig.2: 1. Slide switch

⚠ CAUTION:

- Before plugging in the tool, always check to see that the slide switch actuates properly and returns to the "OFF" position when the rear of the slide switch is depressed.
- Switch can be locked in "ON" position for ease of operator comfort during extended use. Apply caution when locking tool in "ON" position and maintain firm grasp on tool.

For Model GA4040C, GA4041C, GA4540C, GA4541C, GA5040C, GA5041C, GA6040C

To start the tool, slide the slide switch toward the "I (ON)" position by pushing the rear of the slide switch. For continuous operation, press the front of the slide switch to lock it.

To stop the tool, press the rear of the slide switch, then slide it toward the "O (OFF)" position.

For Model GA5040CN

To start the tool, slide the slide switch toward the "I (ON)" position.

To stop the tool, release the slide switch toward the "O (OFF)" position.

Indication lamp

► Fig.3: 1. Indication lamp (speed adjusting dial)

The indication lamp lights up green when the tool is plugged. If the indication lamp does not light up, the mains cord or the controller may be defective. The indication lamp is lit but the tool does not start even if the tool is switched on, the carbon brushes may be worn out, or the controller, the motor or the ON/OFF switch may be defective.

Unintentional restart proof

The tool does not start with the switch being lock-on even when the tool is plugged.

At this time, the indication lamp flickers red and shows the unintentional restart proof device is on function.

To cancel the unintentional restart proof, return the slide switch to "O(OFF)" position.

Speed adjusting dial

► Fig.4: 1. Speed adjusting dial

The rotating speed can be changed by turning the speed adjusting dial to a given number setting from 1 to 5.

Higher speed is obtained when the dial is turned in the direction of number 5. And lower speed is obtained when it is turned in the direction of number 1.

Refer to the below table for the relationship between the number settings on the dial and the approximate rotating speed.

For Model GA4040C, GA4540C, GA5040C, GA5040CN, GA4041C, GA4541C, GA5041C

Number	min ⁻¹ (R.P.M.)
1	2,800
2	4,000
3	6,000
4	8,000
5	11,000

For Model GA6040C

Number	min ⁻¹ (R.P.M.)
1	4,000
2	5,000
3	6,000
4	7,000
5	9,000

⚠ CAUTION:

- If the tool is operated continuously at low speeds for a long time, the motor will get overloaded and heated up.
- The speed adjusting dial can be turned only as far as 5 and back to 1. Do not force it past 5 or 1, or the speed adjusting function may no longer work.

Electronic function

The tools equipped with electronic function are easy to operate because of the following features.

Constant speed control

Constant speed control provides fine finish by keeping the rotating speed constant under the loaded condition.

Soft start feature

Soft start feature suppresses starting shock.

Overload protector

When the load on the tool exceeds admissible levels, power to the motor is reduced to protect the motor from overheating. When the load returns to admissible levels, the tool will operate as normal.

Mechanical brake

For Model GA4041C, GA4541C, GA5041C

Mechanical brake is activated after the tool is switched off.

The brake does not work when the power supply is shut down with the switch still on.

ASSEMBLY

⚠ CAUTION:

- Always be sure that the tool is switched off and unplugged before carrying out any work on the tool.

Installing side grip (handle)

► Fig.5

⚠ CAUTION:

- Always be sure that the side grip is installed securely before operation.

Screw the side grip securely on the position of the tool as shown in the figure.

Installing or removing wheel guard (For depressed center wheel, flap disc, flex wheel, wire wheel brush / abrasive cut-off wheel, diamond wheel)

⚠ WARNING:

- When using a depressed center wheel, flap disc, flex wheel or wire wheel brush, the wheel guard must be fitted on the tool so that the closed side of the guard always points toward the operator.
- When using an abrasive cut-off / diamond wheel, be sure to use only the special wheel guard designed for use with cut-off wheels. (In some European countries, when using a diamond wheel, the ordinary guard can be used. Follow the regulations in your country.)

For tool with locking screw type wheel guard

► Fig.6: 1. Wheel guard 2. Bearing box 3. Screw

Mount the wheel guard with the protrusions on the wheel guard band aligned with the notches on the bearing box. Then rotate the wheel guard around 180° counterclockwise. Be sure to tighten the screw securely.

To remove wheel guard, follow the installation procedure in reverse.

For tool with clamp lever type wheel guard

► Fig.7: 1. Wheel guard 2. Bearing box 3. Screw 4. Lever

Pull the lever in the direction of the arrow after loosening the screw. Mount the wheel guard with the protrusions on the wheel guard band aligned with the notches on the bearing box. Then rotate the wheel guard around 180°.

► Fig.8: 1. Screw 2. Lever

Tighten the wheel guard with fastening the screw after pulling lever in the direction of the arrow. The setting angle of the wheel guard can be adjusted with the lever. To remove wheel guard, follow the installation procedure in reverse.

Installing or removing depressed center wheel or flap disc (optional accessory)

⚠ WARNING:

- When using a depressed center wheel or flap disc, the wheel guard must be fitted on the tool so that the closed side of the guard always points toward the operator.

► Fig.9: 1. Lock nut 2. Depressed center wheel 3. Inner flange

Mount the inner flange onto the spindle. Fit the wheel/disc on the inner flange and screw the lock nut onto the spindle.

► Fig.10: 1. Lock nut wrench 2. Shaft lock

To tighten the lock nut, press the shaft lock firmly so that the spindle cannot revolve, then use the lock nut wrench and securely tighten clockwise.

To remove the wheel, follow the installation procedure in reverse.

Super flange (Optional accessory)

Models with the letter F are standard-equipped with Super flange. Only 1/3 of efforts needed to undo lock nut, compared with conventional type.

⚠ CAUTION:

- Do not use super flange for models equipped with the mechanical brake. Otherwise it may loosen when the brake is activated.

Installing or removing Ezynut (optional accessory)

⚠ CAUTION:

- Do not use Ezynut with Super Flange or angle grinder with "F" on the end of the model No. Those flanges are so thick that the entire thread cannot be retained by the spindle.

► Fig.11: 1. Ezynut 2. Abrasive wheel 3. Inner flange 4. Spindle

Mount inner flange, abrasive wheel and Ezynut onto the spindle so that Makita Logo on Ezynut faces outside.

► Fig.12: 1. Shaft lock

Press shaft lock firmly and tighten Ezynut by turning the abrasive wheel clockwise as far as it turns. Turn the outside ring of Ezynut counterclockwise to loosen.

► **Fig.13:** 1. Arrow 2. Notch

► **Fig.14**

NOTE:

- Ezynut can be loosened by hand as long as the arrow points the notch. Otherwise a lock nut wrench is required to loosen it. Insert one pin of the wrench into a hole and turn Ezynut counterclockwise.

Installing or removing flex wheel (optional accessory)

⚠WARNING:

- Always use supplied guard when flex wheel is on tool. Wheel can shatter during use and guard helps to reduce chances of personal injury.

► **Fig.15:** 1. Lock nut 2. Flex wheel 3. Plastic pad 4. Inner flange

Follow instructions for depressed center wheel but also use plastic pad over wheel. See order of assembly on accessories page in this manual.

Installing or removing abrasive disc (optional accessory)

NOTE:

- Use sander accessories specified in this manual. These must be purchased separately.

► **Fig.16:** 1. Sanding lock nut 2. Abrasive disc 3. Rubber pad

Mount the rubber pad onto the spindle. Fit the disc on the rubber pad and screw the sanding lock nut onto the spindle. To tighten the sanding lock nut, press the shaft lock firmly so that the spindle cannot revolve, then use the lock nut wrench and securely tighten clockwise. To remove the disc, follow the installation procedure in reverse.

Installing or removing dust cover attachment (Optional accessory)

⚠WARNING:

- **Always be sure that the tool is switched off and unplugged before installing or removing the dust cover attachment.** Failure to do so causes damage to the tool or a personal injury.

There are four pieces of dust cover attachment and each is used in one of different positions.

► **Fig.17:** 1. Marking A 2. Marking B 3. Marking C 4. Marking D

Set the dust cover attachment so that the marking (A, B, C or D) places as shown. Snap its pins in the vents. Dust cover attachment can be removed by hand.

NOTE:

- Clean out the dust cover attachment when it is clogged with dust or foreign matters. Continuing operation with a clogged dust cover attachment will damage the tool.

OPERATION

⚠WARNING:

- It should never be necessary to force the tool. The weight of the tool applies adequate pressure. Forcing and excessive pressure could cause dangerous wheel breakage.
- ALWAYS replace wheel if tool is dropped while grinding.
- NEVER bang or hit grinding disc or wheel onto work.
- Avoid bouncing and snagging the wheel, especially when working corners, sharp edges etc. This can cause loss of control and kickback.
- NEVER use tool with wood cutting blades and other saw blades. Such blades when used on a grinder frequently kick and cause loss of control leading to personal injury.

⚠CAUTION:

- Never switch on the tool when it is in contact with the workpiece, it may cause an injury to operator.
- Always wear safety goggles or a face shield during operation.
- After operation, always switch off the tool and wait until the wheel has come to a complete stop before putting the tool down.

Grinding and sanding operation

► **Fig.18**

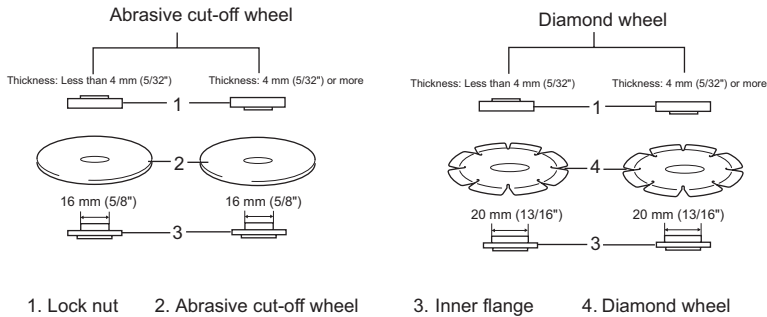
ALWAYS hold the tool firmly with one hand on housing and the other on the side handle. Turn the tool on and then apply the wheel or disc to the workpiece. In general, keep the edge of the wheel or disc at an angle of about 15° to the workpiece surface. During the break-in period with a new wheel, do not work the grinder in the B direction or it will cut into the workpiece. Once the edge of the wheel has been rounded off by use, the wheel may be worked in both A and B direction.

Operation with abrasive cut-off / diamond wheel (optional accessory)

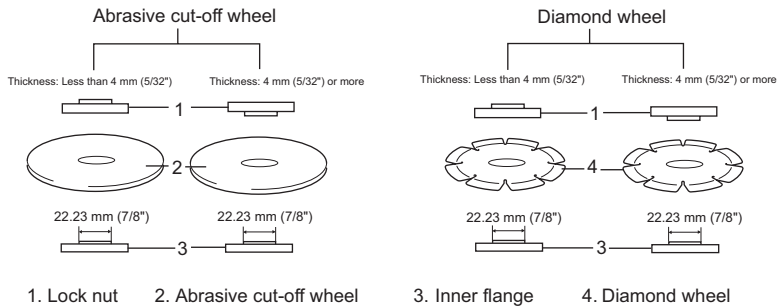
► **Fig.19:** 1. Lock nut 2. Abrasive cut-off wheel/diamond wheel 3. Inner flange 4. Wheel guard for abrasive cut-off wheel/diamond wheel

The direction for mounting the lock nut and the inner flange varies by wheel thickness. Refer to the table below.

100 mm (4") model



115 mm (4 - 1/2") / 125 mm (5") / 150 mm (6") model



⚠ WARNING:

- When using an abrasive cut-off / diamond wheel, be sure to use only the special wheel guard designed for use with cut-off wheels. (In some European countries, when using a diamond wheel, the ordinary guard can be used. Follow the regulations in your country.)
- NEVER use cut-off wheel for side grinding.
- Do not "jam" the wheel or apply excessive pressure. Do not attempt to make an excessive depth of cut. Overstressing the wheel increases the loading and susceptibility to twisting or binding of the wheel in the cut and the possibility of kickback, wheel breakage and overheating of the motor may occur.
- Do not start the cutting operation in the workpiece. Let the wheel reach full speed and carefully enter into the cut moving the tool forward over the workpiece surface. The wheel may bind, walk up or kickback if the power tool is started in the workpiece.
- During cutting operations, never change the angle of the wheel. Placing side pressure on the cut-off wheel (as in grinding) will cause the wheel to crack and break, causing serious personal injury.
- A diamond wheel shall be operated perpendicular to the material being cut.

Operation with wire cup brush (optional accessory)

⚠ CAUTION:

- Check operation of brush by running tool with no load, insuring that no one is in front of or in line with brush.
- Do not use brush that is damaged, or which is out of balance. Use of damaged brush could increase potential for injury from contact with broken brush wires.

► **Fig.20: 1. Wire cup brush**

Unplug tool and place it upside down allowing easy access to spindle. Remove any accessories on spindle. Thread wire cup brush onto spindle and tighten with supplied wrench. When using brush, avoid applying too much pressure which causes over bending of wires, leading to premature breakage.

Operation with wire wheel brush (optional accessory)

⚠ CAUTION:

- Check operation of wire wheel brush by running tool with no load, insuring that no one is in front of or in line with the wire wheel brush.
- Do not use wire wheel brush that is damaged, or which is out of balance. Use of damaged wire wheel brush could increase potential for injury from contact with broken wires.
- ALWAYS use guard with wire wheel brushes, assuring diameter of wheel fits inside guard. Wheel can shatter during use and guard helps to reduce chances of personal injury.

► **Fig.21: 1.** Wire wheel brush

Unplug tool and place it upside down allowing easy access to spindle. Remove any accessories on spindle. Thread wire wheel brush onto spindle and tighten with the wrenches.

When using wire wheel brush, avoid applying too much pressure which causes over bending of wires, leading to premature breakage.

MAINTENANCE

⚠ CAUTION:

- Always be sure that the tool is switched off and unplugged before attempting to perform inspection or maintenance.
- Never use gasoline, benzine, thinner, alcohol or the like. Discoloration, deformation or cracks may result.

► **Fig.22: 1.** Exhaust vent **2.** Inhalation vent

The tool and its air vents have to be kept clean.

Regularly clean the tool's air vents or whenever the vents start to become obstructed.

To maintain product SAFETY and RELIABILITY, repairs, carbon brush inspection and replacement, any other maintenance or adjustment should be performed by Makita Authorized Service Centers, always using Makita replacement parts.

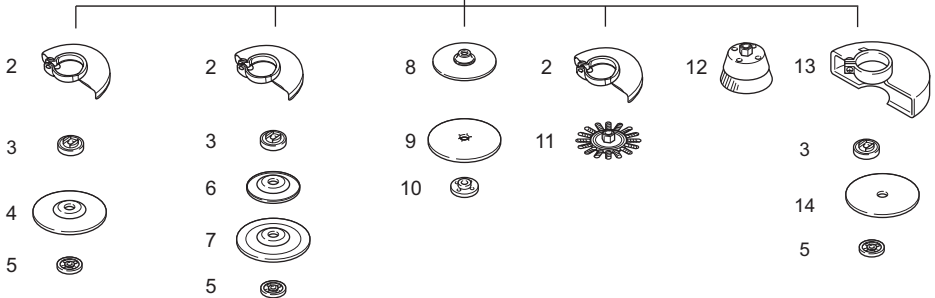
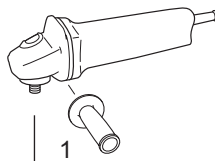
OPTIONAL ACCESSORIES

⚠ CAUTION:

- These accessories or attachments are recommended for use with your Makita tool specified in this manual. The use of any other accessories or attachments might present a risk of injury to persons. Only use accessory or attachment for its stated purpose.

If you need any assistance for more details regarding these accessories, ask your local Makita Service Center.

- Dust cover attachment



	100 mm (4") model	115 mm (4-1/2") model	125 mm (5") model	150 mm (6") model
1	Grip 36			
2	Wheel Guard (for grinding wheel)			
3	Inner flange	Inner flange Super flange *1	Inner flange Super flange *1	Inner flange Super flange *1
4	Depressed center wheel/Flap disc			
5	Lock nut	Lock nut Ezy nut *2	Lock nut Ezy nut *2	Lock nut Ezy nut *2
6	Plastic pad	Plastic pad	Plastic pad	-
7	Flex wheel	Flex wheel	Flex wheel	-
8	Rubber pad 76	Rubber pad 100	Rubber pad 115	Rubber pad 125
9	Abrasive disc			
10	Sanding lock nut			
11	Wire wheel brush			
12	Wire cup brush			
13	Wheel Guard (for cut-off wheel) *3			
14	Abrasive cut-off wheel/Diamond wheel			
-	Lock nut wrench			

Note:

*1 Do not use Super flange with a grinder equipped with a brake function.

*2 Do not use Super flange and Ezy nut together.

*3 In some European countries, when using a diamond wheel, the ordinary guard can be used instead of the special guard covering the both side of the wheel. Follow the regulations in your country.

NOTE:

- Some items in the list may be included in the tool package as standard accessories. They may differ from country to country.

SPECIFIKATIONER

Modell	GA4040C	GA4041C	GA4540C	GA4541C	GA5040C / GA5040CN	GA5041C	GA6040C
Skivdiameter	100 mm (4")		115 mm (4-1/2")		125 mm (5")		150 mm (6")
Max. tjocklek för slipskiva	6,4 mm		7,2 mm				6,4 mm
Spindelgånga	M10		M14 eller 5/8" (landsspecifik)				
Märkvarvtal (n) / Obelastat varvtal (n ₀)	11 000 min ⁻¹		11 000 min ⁻¹		11 000 min ⁻¹		9 000 min ⁻¹
Längd	303 mm	325 mm	303 mm	325 mm	303 mm	325 mm	303 mm
Vikt	2,3 kg	2,6 kg	2,5 kg	2,7 kg	2,5 kg	2,7 kg	2,6 kg
Säkerhetsklass	II/III						

- På grund av vårt pågående program för forskning och utveckling kan dessa specifikationer ändras utan föregående meddelande.
- Specifikationerna kan variera mellan olika länder.
- Vikt i enlighet med EPTA-proceduren 01/2003

Användningsområde

Maskinen är avsedd för slipning och kapning i trä och stenmaterial utan användning av vatten.

Strömförsörjning

Maskinen får endast anslutas till elnät med samma spänning som anges på typplåten och med enfasig växelström. De är dubbelisolerade och får därför också anslutas till ojordade vägguttag.

Buller

Typiska A-vägda bullernivån är mätt enligt EN60745:

Modell GA4040C, GA4540C, GA5040C

Ljudtrycksnivå (L_{PA}): 86 dB (A)

Ljudeffektnivå (L_{WA}): 97 dB (A)

Måttolerans (K): 3 dB (A)

Modell GA6040C

Ljudtrycksnivå (L_{PA}): 87 dB (A)

Ljudeffektnivå (L_{WA}): 98 dB (A)

Måttolerans (K): 3 dB (A)

Modell GA4541C

Ljudtrycksnivå (L_{PA}): 83 dB (A)

Ljudeffektnivå (L_{WA}): 94 dB (A)

Måttolerans (K): 3 dB (A)

Modell GA5041C

Ljudtrycksnivå (L_{PA}): 84 dB (A)

Ljudeffektnivå (L_{WA}): 95 dB (A)

Måttolerans (K): 3 dB (A)

Använd hörselskydd

Vibration

Vibrationens totalvärde (tre-axlars vektorsumma) mätt enligt EN60745:

Modell GA4040C

Arbetsläge: planslipning med normalt sidohandtag

Vibrationsemission (a_{h,AG}): 5,0 m/s²

Måttolerans (K): 1,5 m/s²

Arbetsläge: planslipning med

anti-vibrationssidohandtag

Vibrationsemission (a_{h,AG}): 5,0 m/s²

Måttolerans (K): 1,5 m/s²

Arbetsläge: skivslipning med normalt sidohandtag

Vibrationsemission (a_{h,DS}): 3,0 m/s²

Måttolerans (K): 1,5 m/s²

Arbetsläge: skivslipning med

anti-vibrationssidohandtag

Vibrationsemission (a_{h,DS}): 2,5 m/s² eller lägre

Måttolerans (K): 1,5 m/s²

Modell GA4540C

Arbetsläge: planslipning med normalt sidohandtag

Vibrationsemission (a_{h,AG}): 6,0 m/s²

Måttolerans (K): 1,5 m/s²

Arbetsläge: planslipning med

anti-vibrationssidohandtag

Vibrationsemission (a_{h,AG}): 5,5 m/s²

Måttolerans (K): 1,5 m/s²

Arbetsläge: skivslipning med normalt sidohandtag

Vibrationsemission (a_{h,DS}): 2,5 m/s²

Måttolerans (K): 1,5 m/s²

Arbetsläge: skivslipning med

anti-vibrationssidohandtag

Vibrationsemission (a_{h,DS}): 2,5 m/s²

Måttolerans (K): 1,5 m/s²

Modell GA5040C

Arbetsläge: planslipning med normalt sidohandtag

Vibrationsemission (a_{h,AG}): 6,5 m/s²

Måttolerans (K): 1,5 m/s²

Arbetsläge: planslipning med

anti-vibrationssidohandtag

Vibrationsemission (a_{h,AG}): 5,5 m/s²

Måttolerans (K): 1,5 m/s²

Arbetsläge: skivslipning med normalt sidohandtag

Vibrationsemission (a_{h,DS}): 2,5 m/s²

Måttolerans (K): 1,5 m/s²

Arbetsläge: skivslipning med

anti-vibrationssidohandtag

Vibrationsemission (a_{h,DS}): 2,5 m/s²

Måttolerans (K): 1,5 m/s²

Modell GA6040C

Arbetsläge: planslipning med normalt sidohandtag

Vibrationsemission (a_{h,AG}): 6,5 m/s²

Måttolerans (K): 1,5 m/s²

Arbetsläge: planslipning med

anti-vibrationssidohandtag

Vibrationsemission (a_{h,AG}): 6,0 m/s²

Måttolerans (K): 1,5 m/s²

Arbetsläge: skivslipning med normalt sidohandtag

Vibrationsemission ($a_{h,DS}$): 2,5 m/s²

Måttolerans (K): 1,5 m/s²

Arbetsläge: skivslipning med

anti-vibrationssidohandtag

Vibrationsemission ($a_{h,DS}$): 2,5 m/s² eller lägre

Måttolerans (K): 1,5 m/s²

Modell GA4541C

Arbetsläge: planslipning med normalt sidohandtag

Vibrationsemission ($a_{h,AG}$): 6,5 m/s²

Måttolerans (K): 1,5 m/s²

Arbetsläge: planslipning med

anti-vibrationssidohandtag

Vibrationsemission ($a_{h,AG}$): 5,5 m/s²

Måttolerans (K): 1,5 m/s²

Arbetsläge: skivslipning med normalt sidohandtag

Vibrationsemission ($a_{h,DS}$): 2,5 m/s² eller lägre

Måttolerans (K): 1,5 m/s²

Arbetsläge: skivslipning med

anti-vibrationssidohandtag

Vibrationsemission ($a_{h,DS}$): 2,5 m/s² eller lägre

Måttolerans (K): 1,5 m/s²

Modell GA5041C

Arbetsläge: planslipning med normalt sidohandtag

Vibrationsemission ($a_{h,AG}$): 7,0 m/s²

Måttolerans (K): 1,5 m/s²

Arbetsläge: planslipning med

anti-vibrationssidohandtag

Vibrationsemission ($a_{h,AG}$): 6,0 m/s²

Måttolerans (K): 1,5 m/s²

Arbetsläge: skivslipning med normalt sidohandtag

Vibrationsemission ($a_{h,DS}$): 2,5 m/s² eller lägre

Måttolerans (K): 1,5 m/s²

Arbetsläge: skivslipning med

anti-vibrationssidohandtag

Vibrationsemission ($a_{h,DS}$): 2,5 m/s² eller lägre

Måttolerans (K): 1,5 m/s²

OBS: Det deklarerade vibrationsemissionsvärdet har uppmätts i enlighet med standardtestmetoden och kan användas för jämförandet av en maskin med en annan.

OBS: Det deklarerade vibrationsemissionsvärdet kan också användas i preliminär bedömning av exponering för vibration.

OBS: Det deklarerade vibrationsemissionsvärdet används för maskinens huvudsakliga arbetsuppgifter. Om maskinen används för andra arbetsuppgifter däremot kan vibrationsemissionsvärdet bli annorlunda.

⚠ VARNING: Vibrationsemissionen under faktisk användning av maskinen kan skilja sig från det deklarerade emissionsvärdet, beroende på hur maskinen används.

⚠ VARNING: Se till att hitta säkerhetsåtgärder som kan skydda användaren och som grundar sig på en uppskattning av exponering i verkligheten (ta med i beräkningen alla delar av användandet såsom antal gånger maskinen är avstängd och när den körs på tomgång samt då startomkopplaren används).

Gäller endast Europa

EU-konformitetsdeklaration

Makita försäkrar att följande maskiner:

Maskinbeteckning:

Vinkelslipmaskin

Modellnummer/Typ: GA4040C, GA4540C, GA5040C,

GA6040C, GA4541C, GA5041C

Följer följande EU-direktiv:

2006/42/EC

De är tillverkade i enlighet med följande standard eller standardiseringsdokument:

EN60745

Den tekniska dokumentationen i enlighet med 2006/42/EG finns tillgänglig från:

Makita, Jan-Baptist Vinkstraat 2, 3070, Belgium

1.2.2016



Yasushi Fukaya

Direktör

Makita, Jan-Baptist Vinkstraat 2, 3070, Belgium

Allmänna säkerhetsvarningar för maskin

⚠ VARNING Läs igenom alla säkerhetsvarningar och instruktioner. Underlåtenhet att följa varningar och instruktioner kan leda till elektrisk stöt, brand och/eller allvarliga personskador.

Spara alla varningar och instruktioner för framtida referens.

Säkerhetsvarningar för slipmaskin

Säkerhetsvarningar för slipning, stålborstning eller abrasiv skärning:

1. **Den här maskinen är utformad för att användas för slipning, stålborstning eller som skärverktyg. Läs alla säkerhetsvarningar, anvisningar, illustrationer och specifikationer som medföljer den här maskinen.** Underlåtenhet att följa instruktionerna kan leda till elstötar, brand och/eller allvarliga personskador.
2. **Den här maskinen rekommenderas inte för poleringsarbeten.** Om maskinen används till andra arbeten än de avsedda, kan det orsaka fara och personskada.
3. **Använd inte tillbehör som inte är särskilt tillverkade och rekommenderade av maskinens tillverkare.** Även om ett tillbehör kan fästas på maskinen garanterar detta inte säker funktion.
4. **Tillbehörets nominella varvtalet måste vara minst lika med det maximala varvtalet som anges på verktyget.** Tillbehör som används över det nominella varvtalet kan gå sönder och orsaka skador.
5. **Tillbehörets ytterdiameter och tjocklek måste vara anpassad till elverktygets kapacitetsklassning.** Tillbehör i olämplig storlek kan inte skyddas eller styras tillräckligt väl.

- Gångorna på tillbehör som monteras måste stämma överens med spindelgångorna på slipmaskinen. För tillbehör som monteras med flänsar måste tillbehörets centrumhål passa i flänsens lokaliseringsdiameter.** Tillbehör som inte passar exakt på maskinens monteringsbeslag roterar ojämnt, vibrerar kraftigt och kan leda till att du förlorar kontrollen.
- Använd inte ett skadat tillbehör. Kontrollera tillbehör som slipredeller efter hack och sprickor, underlagsplattor efter sprickor, slitage och stålborstar efter lösa eller brutna trådar. Om du tappar maskinen eller ett tillbehör ska du kontrollera att det inte har uppstått några skador, eller så ska tillbehöret bytas ut mot ett oskadat. Efter kontroll och montering av tillbehöret ska du och åskådare hålla er borta från det roterande tillbehöret samtidigt som du kör maskinen på full fart utan last i en minut.** Skadade tillbehör går normalt sönder under den här testtiden.
- Använd personlig skyddsutrustning. Använd visir, korgglasögon eller skyddsglasögon beroende på arbetsuppgift. Använd vid behov dammskydd, hörselskydd, handskar och skyddsförkläde som stoppar små bitar slipmaterial eller fragment från arbetsstycket. Ögonskyddet måste kunna stoppa flygande fragment som uppstår vid olika arbeten. Dammskyddet eller andningsskyddet måste kunna filtrera partiklar som uppstår vid olika arbeten. Lång tid i kraftigt buller kan orsaka hörselskador.**
- Håll personer i omgivningen på säkert avstånd från arbetsområdet. Alla som befinner sig i arbetsområdet måste använda skyddsutrustning.** Delar av arbetsstycket eller defekta tillbehör kan flyga iväg och orsaka skador utanför arbetsområdet.
- Håll endast verktyget i de isolerade handtagen när du utför arbete där verktyget kan komma i kontakt med en dold elkabel eller med verktygets kabel.** Om kapmaskinen kommer i kontakt med en strömförande ledning blir verktygets blottlagda metalldelar strömförande och kan ge användaren en elektrisk stöt.
- Placera nätsladden på avstånd från det roterande tillbehöret.** Om du förlorar kontrollen kan nätsladden kapas eller fastna och din hand eller arm kan dras in i det roterande verktyget.
- Lägg aldrig elverktyget åt sidan förrän det har stannat helt.** Det roterande tillbehöret kan gripa tag i underlaget och du kan förlora kontrollen över maskinen.
- Kör inte verktyget samtidigt som du bär det.** Oavsiktlig kontakt med det roterande tillbehöret kan leda till att det fastnar i dina kläder och dras in mot kroppen.
- Rengör regelbundet verktygets ventilationsöppningar.** Motorns fläkt suger in damm i höljet och överdriven ansamling av pulveriserad metall kan orsaka elektrisk fara.
- Använd inte verktyget i närheten av lättantändliga material.** Gnistor kan antända dessa material.
- Använd inte tillbehör som kräver flytande kylvätskor.** Att använda vatten eller andra flytande kylvätskor kan orsaka dödsfall eller elektriska stötar.

Bakåtkast och relaterade varningar

Bakåtkast är en plötslig reaktion på fastnytt roterande hjul, underlagsplatta, borste eller annat tillbehör. Nyp och kärkning orsakar stegring av det roterande tillbehöret, och orsakar i sin tur att den okontrollerade maskinen tvingas i motsatt riktning vid kärningspunkten. Om till exempel en slipskiva fastnar i eller kläms fast av arbetsstycket kan skivans kapande kant gräva sig in i materialytan vid klämpunkten, vilket leder till att skivan klättrar eller kastas tillbaka. Skivan kan antingen hoppa mot eller från användaren, beroende på skivans rörelseriktning vid klämpunkten. Slipskivorna kan även gå sönder under dessa omständigheter. Bakåtkast beror på ovarsamhet och/eller felaktiga arbetsrutiner, och kan undvikas genom att vidta nedanstående förebyggande åtgärder.

- Se till att hålla verktyget i ett fast grepp och placera kroppen och din arm på ett sätt som gör att du kan stå emot kraften från bakåtkast. Använd alltid ett extrahandtag, om sådant finns, för maximal kontroll vid bakåtkast eller vridrörelsen vid start.** Användaren kan kontrollera vridrörelsen eller krafterna vid bakåtkast om rätt försiktighetsåtgärder vidtas.
- Placera aldrig din hand nära det roterande tillbehöret.** Tillbehöret kan kastas bakåt över din hand.
- Ställ dig inte där maskinen kommer att förflytta sig i händelse av bakåtkast.** Bakåtkast driver verktyget i motsatt riktning till kapskivans rörelse vid kärningspunkten.
- Var extra försiktig när du bearbetar hörn, vassa kanter osv. Undvik att studsa och stöta tillbehöret.** Hörn, skarpa kanter eller studsning har en tendens att klämma det roterande tillbehöret och orsaka förlorad kontroll eller bakåtkast.
- Montera inte en sågkedja, snidarblad eller ett tandat sågblad.** Sådana blad orsakar ofta bakåtkast och förlorad kontroll.

Säkerhetsvarningar för slipning och abrasiv skärning:

- Använd endast de skivor som rekommenderas för din maskin och det särskilda sprängskyddet för skivan.** Skivor som inte tillverkas för maskinen kan inte skyddas tillräckligt och är inte tillförlitliga.
- Slipytan på nedsänkta skivor måste monteras under planet från sprängskyddets kant.** En felaktigt monterad skiva som sticker utanför planet från sprängskyddets kant är inte tillräckligt skyddad.
- Sprängskyddet måste vara ordentligt fäst vid maskinen och placerat för maximal säkerhet, så att minsta möjliga yta av skivan är öppen mot användare.** Sprängskyddet skyddar användaren mot trasiga skivdelar, oavsiktlig kontakt med skivan och gnistor som kan antända kläder.
- Kapskivorna får endast användas till rekommenderade arbetsuppgifter. Till exempel: Slipa inte med en kapskivas utsida.** Slipande kapskivor är avsedda för periferislipning. Sidokrafter kan spränga sådana skivor.
- Använd alltid oskadade skivflänsar i rätt storlek och form till din skiva.** Rätt skivflänsar stöder kapskivan och minskar därigenom risken för att skivan går sönder. Flänsar till kapskivor kan skilja sig från flänsen till slipskivor.

6. **Använd inte nedslitna skivor för större maskiner.** Skivor avsedda för större maskiner är inte lämpliga för mindre maskiners högre varvtal och kan spricka.

Ytterligare särskilda säkerhetsvarningar för abrasiv skärning:

1. **"Pressa" inte skivan eller utsätt den för överdrivet tryck.** Försök inte att göra ett alltför stort kapdjup. Om kapskivan överbelastas ökar belastningen och risken för att skivan vrids eller fastnar i kapet samt risken för bakåtkast eller att skivan går sönder.
2. **Placera inte din kropp längs med eller bakom den roterande skivan.** När skivan rör sig ifrån dig, kan ett bakåtkast skicka den roterande skivan och maskinen mot dig.
3. **Om kapskivan kärvar eller om ett kap avbryts stänger du av elverket och håller det stilla tills skivan har stannat helt.** Försök aldrig att ta ut kapskivan ur skåret när skivan är i rörelse, för att undvika bakåtkast. Undersök och vidta korrigeringsåtgärder för att eliminera orsaken till att kapskivan fastnar.
4. **Starta inte om kapningen med verktyget kvar i arbetsstycket.** Låt maskinen nå full hastighet och gå tillbaka i skåret. Kapskivan kan fastna, vandra uppåt eller kastas bakåt om elverket startas om i arbetsstycket.
5. **Stötta långa eller stora arbetsstycken för att minimera risken för att kapskivan fastnar och kastas bakåt.** Stora arbetsstycken tenderar att svikta på grund av sin egen vikt. Stöd måste placeras under arbetsstycket nära såglinjen och nära arbetsstyckets kanter på båda sidorna om kapskivan.
6. **Var extra försiktig vid genomstickssågning i en befintlig vägg eller andra dolda utrymmen.** Den utskjutande kapskivan kan kapa gas- eller vattenledningar, elledningar eller föremål som kan orsaka bakåtkast.

Säkerhetsvarningar särskilt vid slipning:

1. **Använd inte för stora slipskivor.** Följ tillverkarens rekommendationer när du väljer slipskiva. Större slippapper som sticker ut utanför underlaget ger risk för rivning och kan orsaka kärvning, rivning av skivan eller bakåtkast.

Säkerhetsvarningar särskilt vid stålborstning:

1. **Var uppmärksam på att trådbitar kastas ut från borsten även vid normal användning.** Överbelasta inte trådarna genom att anlägga onödigt stor kraft mot borsten. Trådarna kan enkelt gå igenom tunnare klädsel och/eller huden.
2. **Om användning av skydd rekommenderas vid stålborstning får inte borstskivan eller borsten gå emot skyddet.** Borstens diameter kan expandera på grund av belastningen eller centrifugalkraften.

Ytterligare säkerhetsvarningar:

1. **Vid användning av nedsänkta center-rondeller ska endast glasfiberförstärkta rondeller användas.**
2. **ANVÄND ALDRIG sten-skålskivor med denna slipmaskin.** Denna slipmaskin är inte konstruerad för denna typ av skivor och användningen av dessa kan resultera i allvarlig personskada.

3. **Var försiktig så att inte spindeln, flänsen (i synnerhet monteringsytan) eller låsmuttern skadas.** Skador på någon av dessa delar kan medföra att rondellen förstörs.
4. **Se till att rondellen inte är i kontakt med arbetsstycket när du trycker på avtryckaren.**
5. **Låt verktyget vara igång en stund innan det används på arbetsstycket.** Kontrollera att skivan inte vibrerar eller skakar, vilket kan innebära att den är felaktigt monterad eller dåligt balanserad.
6. **Slipa endast med den del av rondellen som är avsedd för slipning.**
7. **Lämna inte maskinen igång.** Använd endast maskinen när du håller den i händerna.
8. **Rör inte vid arbetsstycket omedelbart efter arbetet.** Det kan vara extremt varmt och orsaka brännskador.
9. **Följ tillverkarens anvisningar för korrekt montering och användning av rondeller.** Hantera rondellerna varsamt och förvara dem på en säker plats.
10. **Använd inte separata reducerhylsor eller adapterar för att kunna använda sliprondeller med större hål.**
11. **Använd endast flänsar som är avsedda för den här maskinen.**
12. **Kontrollera att gänglängden i rondellen är tillräckligt lång för spindellängden om rondellen är avsedd att gängas fast.**
13. **Kontrollera att arbetsstycket är ordentligt fastsatt.**
14. **Tänk på att rondellen fortsätter att rotera efter att maskinen stängts av.**
15. **Om arbetsplatsen är extremt varm och fuktig, eller har hög koncentration av elektriskt ledande damm, ska jordfelsbrytare (30 mA) användas för användarens säkerhet.**
16. **Använd inte maskinen för material som innehåller asbest.**
17. **Använd alltid föreskrivet dammuppsamlare sprängskydd när du arbetar med kapskiva.**
18. **Kapskivor får inte utsättas för sidkrafter.**
19. **Använd inte arbetshandskar i tyg när du arbetar med maskinen.** Fibrer från tyghandskar kan komma in i maskinen och orsaka fel.

SPARA DESSA ANVISNINGAR.

⚠️ VARNING: GLÖM INTE att också fortsättningsvis strikt följa säkerhetsanvisningarna för maskinen även efter att du blivit van att använda den. Vid **FELAKTIG HANTERING** av maskinen eller om inte säkerhetsanvisningarna i denna bruksanvisning följs kan följden bli allvarliga personskadorna.

FUNKTIONSBESKRIVNING

FÖRSIKTIGT:

- Se alltid till att maskinen är avstängd och nätsladden urdragen innan du justerar eller funktionskontrollerar maskinen.

Spindellås

► **Fig.1:** 1. Spindellås

FÖRSIKTIGT:

- Aktivera aldrig spindellåset medan spindeln rör sig. Maskinen kan skadas.

Tryck ned spindellåset för att förhindra att spindeln roterar när du monterar eller tar bort tillbehör.

Avtryckarens funktion

► **Fig.2:** 1. Skjutknapp

FÖRSIKTIGT:

- Innan du ansluter maskinen till elnätet ska du kontrollera att skjutreglaget fungerar och återgår till läget "OFF" när du trycker på den bakre delen av knappen.
- Reglaget kan låsas in läge "ON" för att underlätta användning när maskinen används under längre tid. Var försiktig när du låser maskinen i läget "ON", och fortsätt hålla ett stadigt grepp om maskinen.

För modell GA4040C, GA4041C, GA4540C, GA4541C, GA5040C, GA5041C, GA6040C

För skjutreglaget mot "I (ON)"-positionen genom att trycka på baksidan av skjutreglaget när du vill starta maskinen. För oavbruten drift trycker du på framkanten av skjutreglaget, vilket låser läget.

Tryck på skjutreglagets bakre kant och skjut den sedan till läge "O (OFF)" för att stänga av maskinen.

För modell GA5040CN

För skjutreglaget mot "I (ON)"-positionen genom att trycka på baksidan av skjutreglaget när du vill starta maskinen.

Släpp upp skjutknappen mot läge "O (OFF)" för att stoppa maskinen.

Indikatorlampa

► **Fig.3:** 1. Indikatorlampa (ratt för hastighetsinställning)

Den gröna indikatorlampan lyser när verktyget är inkopplat. Om indikatorlampan inte tänds kan nätsladden eller styrningen vara defekt. Om indikatorlampan lyser och verktyget inte startar fastän det är påslaget, kan kolborstarna vara utslitna, eller styrningen, motorn eller ON/OFF (TILL/FRÅN)-strömbrytaren defekta.

Spärr mot oavsiktlig omstart

Maskinen startar inte när avtryckaren är i låst läge även om den är ansluten till elnätet.

Om detta inträffar blinkar indikatorlampan rött för att indikera att enheten för skydd mot oavsiktlig start är i funktion.

Inaktivera skyddet mot oavsiktlig start genom att återställa skjutreglaget till läge "O (OFF)".

Ratt för hastighetsinställning

► **Fig.4:** 1. Ratt för hastighetsinställning

Rotationshastigheten ställs in genom att vrida hastighetsinställningen till ett värde mellan 1 och 5.

Hastigheten blir högre när inställningen vrids mot 5. På samma sätt blir hastigheten lägre när inställningen vrids mot 1.

I nedanstående tabell visas sambandet mellan inställningssiffran och rotationshastighet.

För modell GA4040C, GA4540C, GA5040C, GA5040CN, GA4041C, GA4541C, GA5041C

Nummer	min ⁻¹ (varv per min)
1	2 800
2	4 000
3	6 000
4	8 000
5	11 000

För modell GA6040C

Nummer	min ⁻¹ (varv per min)
1	4 000
2	5 000
3	6 000
4	7 000
5	9 000

FÖRSIKTIGT:

- Om maskinen används oavbrutet i låg hastighet under en lång period blir motorn överbelastad och överhettad.
- Ratten för hastighetsinställning kan endast vridas till 5 och tillbaka till 1. Tvinga den inte förbi 5 eller 1 eftersom hastighetsinställningen då kan sättas ur funktion.

Elektronisk funktion

Följande elektroniska funktioner underlättar användningen av maskinen.

Konstant hastighetskontroll

Konstant varvtal ger fin finish genom att hålla rotationshastigheten konstant vid belastning.

Mjukstartfunktion

Mjukstartfunktionen dämpar startchocken.

Överbelastningsskydd

När belastningen på maskinen överstiger den tillåtna nivån, minskar strömmen till motorn för att skydda motorn från att överhettas. När belastningen återgår till den tillåtna nivån, arbetar maskinen normalt igen.

Mekanisk broms

För modell **GA4041C**, **GA4541C**, **GA5041C**

Den mekaniska bromsen aktiveras när maskinen stängs av.

Bromsen fungerar inte när strömtillförseln stängs av med avtryckaren aktiverad.

MONTERING

⚠ FÖRSIKTIGT:

- Se alltid till att maskinen är avstängd och nätsladden urdragen innan maskinen repareras.

Montera sidohandtaget

► Fig.5

⚠ FÖRSIKTIGT:

- Kontrollera alltid att sidohandtaget sitter fast ordentligt innan arbetet påbörjas.

Skruva fast sidohandtaget ordentligt på rätt plats på maskinen enligt figuren.

Montering eller demontering av sprängskydd (För rondell med försänkt centerhål, lamellslipskiva, flexibel rondell, skivstålborste/kapskiva, diamantskiva)

⚠ VARNING:

- När en sliprondell med försänkt centerhål, lamellslipskiva, flexibel rondell eller skivstålborste används, måste sprängskyddet monteras på maskinen så att den slutna sidan alltid är vänd mot användaren.
- Vid användning av en kap-/diamantskiva ska du vara noga med att endast använda det speciella sprängskydd som är avsett för användning tillsammans med kapskivor. (I vissa europeiska länder kan det vanliga sprängskyddet användas tillsammans med diamantskivan. Följ föreskrifterna i ditt land.)

För maskin med sprängskydd och låsskruv

► Fig.6: 1. Sprängskydd för sliprondell 2. Lagerhus 3. Skruv

Montera sprängskyddet så att de utskjutande delarna på sprängskyddets band passar in i urtagen på lagerhuset. Vrid sedan sprängskyddet 180° moturs. Dra åt skruven ordentligt.

Gör på omvänt sätt för att ta bort sprängskyddet.

För maskin med sprängskydd och klämspark

► Fig.7: 1. Sprängskydd för sliprondell 2. Lagerhus 3. Skruv 4. Spak

Dra reglaget i pilens riktning när du har lossat skruven. Montera sprängskyddet så att de utskjutande delarna på sprängskyddets band passar in i urtagen på lagerhuset. Vrid sedan sprängskyddet 180°.

► Fig.8: 1. Skruv 2. Spak

Dra åt sprängskyddet genom att fästa skruven efter att du har dragit reglaget i pilens riktning. Sprängskyddets inställningsvinkel kan justeras med reglaget.

Gör på omvänt sätt för att ta bort sprängskyddet.

Installera eller ta bort sliprondell med försänkt centerhål eller lamellslipskiva (valfritt tillbehör)

⚠ VARNING:

- När en sliprondell med försänkt centerhål eller lamellslipskiva används, måste sprängskyddet monteras på maskinen så att den slutna sidan alltid är vänd mot användaren.

► Fig.9: 1. Låsmutter 2. Rondell med försänkt centrumhål 3. Innerfläns

Sätt fast innerflänsen på spindeln. Passa in rondellen/skivan på innerflänsen och skruva på låsmuttern på spindeln.

► Fig.10: 1. Tappnyckel för låsmutter 2. Spindellås

Tryck in spindellåset ordentligt för att dra fast låsmuttern så att spindeln inte kan rotera. Använd sedan tappnyckeln för att dra fast ytterligare.

Gör på omvänt sätt för att ta bort rondellen.

Superfläns (valfritt tillbehör)

Modeller med bokstaven F är utrustade med en superfläns som standard. Endast 1/3 ansträngning behövs för att lossa låsmuttern jämfört med konventionell typ.

⚠ FÖRSIKTIGT:

- Använd inte superfläns för modeller som är utrustade med mekanisk broms. Om du gör det kan den lossna när bromsen aktiveras.

Montera eller demontera Ezynut (valfritt tillbehör)

⚠ FÖRSIKTIGT:

- Använd inte Ezynut med superfläns eller med vinkelslipmaskin med "F" i slutet av modellnumret. Dessa flänsar är så tjocka att hela gängningen inte kan hållas av spindeln.

► Fig.11: 1. Ezynut 2. Slipskiva 3. Innerfläns 4. Spindel

Montera innerflänsen, slipskivan och Ezynut på spindeln så att Makitas logotyp på Ezynut är vänd utåt.

► Fig.12: 1. Spindellås

Tryck in spindellåset och dra åt Ezynut genom att vrida slipskivan medurs så långt som den går att vrida. Vrid Ezynut:s ytterring moturs för att lossa den.

► **Fig.13:** 1. Pil 2. Ås

► **Fig.14**

OBS:

- Ezynut kan lossas för hand så länge som pilen är riktad mot skäran. Annars behövs det en tappnyckel för att lossa den. Sätt i en av tappnyckelns stift i ett av hålen och vrid Ezynut moturs.

Montera eller demontera flexibel rondell (valfritt tillbehör)

⚠ VARNING:

- Använd alltid det medföljande skyddet när en flexibel rondell är monterad på maskinen. Skivan kan splittras under användning och skyddet hjälper till att minska risken för personskador.

► **Fig.15:** 1. Låsmutter 2. Flexibel rondell
3. Plastplatta 4. Innerfläns

Följ anvisningarna för sliprondell med försänkt centerhål men använd även stödrondell av plast över skivan. Se monteringssekvensen på tillbehörssidan i denna handbok.

Montera eller demontera sliprondell (valfritt tillbehör)

OBS:

- Använd endast slipningstillbehör som specificeras i denna bruksanvisning. Dessa måste köpas separat.

► **Fig.16:** 1. Låsmutter för slipning 2. Sliprondell
3. Gummiplatta

Montera stödrondellen av gummi på spindeln. Passa in rondellen över stödrondellen och skruva fast låsmuttern för slipning på spindeln. När du ska skruva fast låsmuttern för slipning trycker du ned spindellåset så att spindeln inte kan rotera. Dra fast låsmuttern medurs med nyckeln.

Följ monteringsanvisningarna i omvänd ordning för att ta bort rondellen.

Montering eller demontering av dammskyddstillbehör (valfritt tillbehör)

⚠ VARNING:

- **Kontrollera alltid att maskinen är avstängd och urkopplad innan du installerar eller demonterar dammskyddet.** Om du inte gör det kan det orsaka skador på maskinen eller personskador.

Det finns fyra dammskydd och varje används i en av olika positioner.

► **Fig.17:** 1. Markering A 2. Markering B 3. Markering C 4. Markering D

Ställ in dammskyddet så att markeringarna (A, B, C eller D) placeras så som visas. Knäpp fast dess stift i hålen.

Dammskyddstillbehöret kan tas bort för hand.

OBS:

- Torka ur dammskyddstillbehöret när det är igensatt med damm eller främmat material. Fortsatt användning med ett igensatt dammskyddstillbehör skadar maskinen.

ANVÄNDNING

⚠ VARNING:

- Tänk på att aldrig tvinga maskinen. Maskinens vikt ska utgöra ett tillräckligt tryck. Tvång eller överdrivet tryck kan resultera i farliga rondellbrott.
- Byt ALLTID ut rondellen om den har tappats under slipning.
- Slå ALDRIG med rondellen eller skivan på arbetsstycket.
- Undvik att studsa eller hacka med rondeller, i synnerhet i närheten av hörn, skarpa kanter osv. Det är lätt att i dessa situationer förlora kontrollen över maskinen så att den kastas bakåt.
- Använd ALDRIG maskinen med sågklingor avsedda för trä eller andra sågblad. Att använda sådana klingor i slipmaskiner innebär stor risk för bakåtkast som kan försäkra personskador.

⚠ FÖRSIKTIGT:

- Starta aldrig maskinen när denna är i kontakt med arbetsstycket. Det kan orsaka personskador.
- Använd alltid skyddsglasögon eller visir under arbetet.
- När du är klar med arbetet ska du vänta tills rondellen stannat helt innan du lägger maskinen åt sidan.

Slipning av trä och metall

► **Fig.18**

Håll ALLTID maskinen i ett fast grepp med ena handen på huset och den andra på sidohandtaget. Starta maskinen och för rondellen eller skivan mot arbetsstycket.

Normalt ska du hålla rondellens eller skivans kant mot arbetsstycket med en vinkel på 15°.

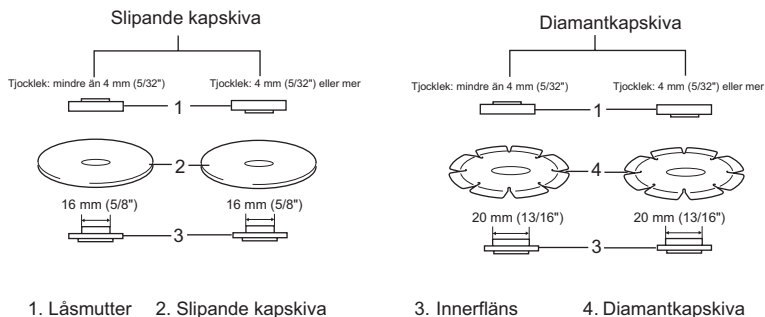
Under perioden då du kör in en ny rondell ska du inte föra slipmaskinen i B-riktningen eftersom den kan skära in i arbetsstycket. När kanten på rondellen har rundats av kan du slipa i båda riktningarna (A och B).

Användning av kap-/diamantskiva (valfritt tillbehör)

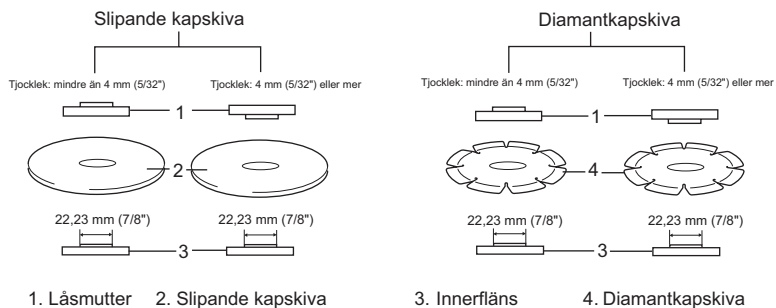
► **Fig.19:** 1. Låsmutter 2. Kap-/diamantskiva
3. Innerfläns 4. Sprängskydd för kap- / diamantskiva

Riktningen för att montera låsmuttern och den inre flänsen varierar beroende på skivans tjocklek. Se tabellen nedan.

100 mm (4 tumms)-modell



115 mm (4 - ½ tum) / 125 mm (5 tum) / 150 mm (6 tum)-modell



⚠ VARNING:

- Vid användning av en kap-/diamantskiva ska du vara noga med att endast använda det speciella sprängskydd som är avsett för användning tillsammans med kapskivor. (I vissa europeiska länder kan det vanliga sprängskyddet användas tillsammans med diamantskivan. Följ föreskrifterna i ditt land.)
- Använd ALDRIG kapskivor för sidoslipning.
- Se till att skivan inte "kärvar" och tryck inte hårt. Undvik att göra för djupa skär. Överutnyttjande av skivan ökar belastningen på maskinen och risken för att skivan bänds eller fastnar i spåret ökar, liksom risken för bakåtkast, skivbrott och överhettning av motorn.
- Starta inte skärningen med maskinen i arbetsstycket. Låt skivan uppnå fullt varvtal och sänk försiktigt ned maskinen och för den framåt. Skivan kan fastna, krypa upp eller kastas bakåt om maskinen startas med verktyget i ingrepp i arbetsstycket.
- Under skärningen får skivans vinkel aldrig ändras. Sidotryck på kapskivan (som vid slipning) medför att skivan spricker och sprängs, vilket kan leda till svåra personskador.
- En diamantskiva ska arbeta vinkelrätt mot det material som ska kapas.

Användning av den koppformade stålborsten (valfritt tillbehör)

⚠ FÖRSIKTIGT:

- Kontrollera hur borsten fungerar genom att köra maskinen utan belastning och försäkra dig om att ingen finns framför eller i linje med borsten.
- Använd inte en borste som är skadad eller obalanserad eftersom det kan öka risken för skada vid kontakt med trasiga ståltrådar.

► Fig.20: 1. Koppformad stålborste

Koppla bort maskinen från elnätet och placera den upp och ned för att lättare komma åt spindeln. Ta bort eventuella tillbehör på spindeln. Trä den koppformade stålborsten på spindeln och dra åt med medföljande nyckel. Undvik att använda för mycket tryck vid användning av borsten eftersom det böjer ståltrådarna för mycket och leder till slitage i förtid.

Användning av skivstålborsten (valfritt tillbehör)

⚠ FÖRSIKTIGT:

- Kontrollera hur skivstålborsten fungerar genom att köra maskinen utan belastning och försäkra dig om att ingen finns framför eller i linje med skivstålborsten.
- Använd inte en skivstålborste som är skadad eller obalanserad eftersom det kan öka risken för skada vid kontakt med trasiga ståltrådar.
- Använd ALLTID skydd tillsammans med skivstålborstar och kontrollera att skivdiametern passar innanför skyddet. Skivan kan splittras under användningen och skyddet minskar risken för personskador.

► Fig.21: 1. Skivstålborste

Koppla bort maskinen från elnätet och placera den upp och ned för att lättare komma åt spindeln. Ta bort eventuella tillbehör på spindeln. Montera skivstålborsten på spindeln och dra åt med nycklarna.

Undvik att lägga på för mycket tryck vid användning av skivstålborsten eftersom det böjer ståltrådarna för mycket och leder till slitage i förtid.

UNDERHÅLL

⚠ FÖRSIKTIGT:

- Se alltid till att maskinen är avstängd och nätkabeln urdragen innan inspektion eller underhåll utförs.
- Använd inte bensin, thinner, alkohol eller liknande. Missfärgning, deformation eller sprickor kan uppstå.

► Fig.22: 1. Utblås 2. Luftintag

Maskinen och luftintagen måste vara rena. Rengör maskinens ventilationshål regelbundet eller så snart ventilationen påverkas negativt.

För att upprätthålla produktens SÄKERHET och TILLFÖRLITLIGHET bör reparationer, kontroll och utbyte av kolborstar samt allt annat underhålls- och justeringsarbete utföras av ett auktoriserat Makita servicecenter och med reservdelar från Makita.

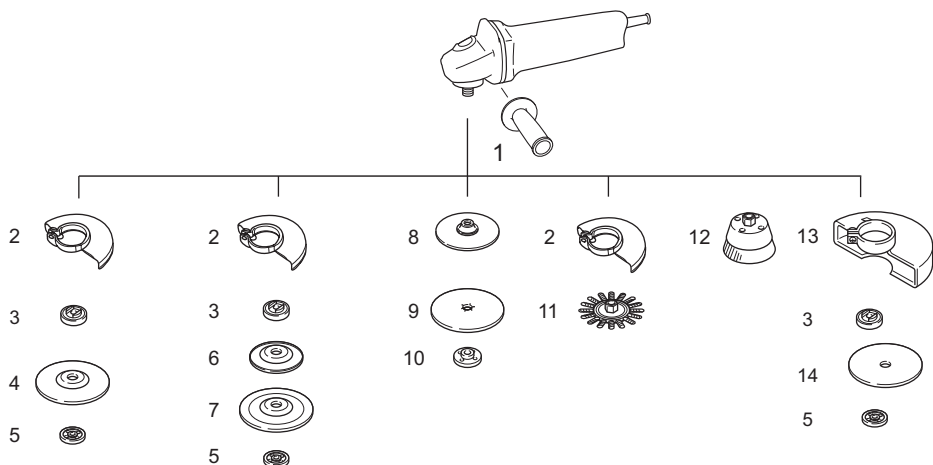
VALFRIA TILLBEHÖR

⚠ FÖRSIKTIGT:

- Dessa tillbehör och tillsatser rekommenderas för användning tillsammans med den Makita-maskin som denna bruksanvisning avser. Om andra tillbehör eller tillsatser används kan det uppstå risk för personskador. Använd endast tillbehören eller tillsatserna för de syften de är avsedda för.

Kontakta ditt lokala Makita servicecenter om du behöver ytterligare information om dessa tillbehör.

- Dammskyddstillbehör



	100 mm (4 tums)-modell	115 mm (4-1/2 tums)-modell	125 mm (5 tums)-modell	150 mm (6 tums)-modell
1	Handtag 36			
2	Sprängskydd (för sliprondell)			
3	Innerfläns	Innerfläns Superfläns *1	Innerfläns Superfläns *1	Innerfläns Superfläns *1
4	Rondell med försänkt centerhål/Lamellslipskiva			
5	Låsmutter	Låsmutter Ezy nut *2	Låsmutter Ezy nut *2	Låsmutter Ezy nut *2
6	Plastplatta	Plastplatta	Plastplatta	-
7	Flexibel rondell	Flexibel rondell	Flexibel rondell	-
8	Stödrondell av gummi 76	Stödrondell av gummi 100	Stödrondell av gummi 115	Stödrondell av gummi 125
9	Sliprondell			
10	Låsmutter för slipning			
11	Skivstålborste			
12	Koppformad stålborste			
13	Sprängskydd (för kapskiva) *3			
14	Kap-/diamantskiva			
-	Tappnyckel för låsmutter			

Obs!

*1 Använd inte superfläns med en slipmaskin som har bromsfunktion.

*2 Använd inte superfläns och Ezynut tillsammans.

*3 I vissa europeiska länder kan det vanliga sprängskyddet användas tillsammans med diamantskivan istället för specialsprängskyddet som täcker båda sidor av skivan. Följ föreskrifterna i ditt land.

OBS:

- Några av tillbehören i listan kan vara inkluderade i maskinpaketet som standardtillbehör. De kan variera mellan olika länder.

TEKNISKE DATA

Modell	GA4040C	GA4041C	GA4540C	GA4541C	GA5040C / GA5040CN	GA5041C	GA6040C
Skivediameter	100 mm (4")		115 mm (4-1/2")		125 mm (5")		150 mm (6")
Maks. Skivetykkelse	6,4 mm			7,2 mm			6,4 mm
Spindelgjenge	M10		M14 eller 5/8" (varierer i henhold til land)				
Merkehastighet (n) / Hastighet uten belastning (n ₀)	11 000 min ⁻¹		11 000 min ⁻¹		11 000 min ⁻¹		9 000 min ⁻¹
Total lengde	303 mm	325 mm	303 mm	325 mm	303 mm	325 mm	303 mm
Nettovekt	2,3 kg	2,6 kg	2,5 kg	2,7 kg	2,5 kg	2,7 kg	2,6 kg
Sikkerhetsklasse	II/III						

- Som følge av vårt kontinuerlige forsknings- og utviklingsprogram kan de tekniske dataene endres uten ytterligere forvarsel.
- Tekniske data kan variere fra land til land.
- Vekt i henhold til EPTA-prosedyre 01/2003

Riktig bruk

Maskinen er beregnet på sliping, pussing og kutting av metall og steinmaterialer uten bruk av vann.

Strømforsyning

Maskinen må bare kobles til en strømkilde med samme spenning som vist på typeskiltet, og kan bare brukes med enfase-vekselstrømforsyning. Den er dobbelt verneisoleret og kan derfor også brukes fra kontakter uten jording.

Støy

Typisk A-vektet lydtrykknivå er bestemt i henhold til EN60745:

Modell GA4040C, GA4540C, GA5040C

Lydtrykknivå (L_{PA}): 86 dB (A)
Lydeffektnivå (L_{WA}): 97 dB (A)
Usikkerhet (K): 3 dB (A)

Modell GA6040C

Lydtrykknivå (L_{PA}): 87 dB (A)
Lydeffektnivå (L_{WA}): 98 dB (A)
Usikkerhet (K): 3 dB (A)

Modell GA4541C

Lydtrykknivå (L_{PA}): 83 dB (A)
Lydeffektnivå (L_{WA}): 94 dB (A)
Usikkerhet (K): 3 dB (A)

Modell GA5041C

Lydtrykknivå (L_{PA}): 84 dB (A)
Lydeffektnivå (L_{WA}): 95 dB (A)
Usikkerhet (K): 3 dB (A)

Bruk hørselvern

Vibrasjon

Den totale vibrasjonsverdien (triaksial vektorsum) bestemmer i henhold til EN60745:

Modell GA4040C

Arbeidsmåte: Overflatesliping med normalt sidegrep
Genererte vibrasjoner (a_{h,AG}): 5,0 m/s²
Usikkerhet (K): 1,5 m/s²
Arbeidsmåte: Overflatesliping med vibrasjonssikkert sidegrep
Genererte vibrasjoner (a_{h,AG}): 5,0 m/s²
Usikkerhet (K): 1,5 m/s²

Arbeidsmodus: plansliping med normal sidegrep
Genererte vibrasjoner (a_{h,DS}): 3,0 m/s²
Usikkerhet (K): 1,5 m/s²

Arbeidsmodus: plansliping med vibrasjonssikkert sidegrep
Genererte vibrasjoner (a_{h,DS}): 2,5 m/s² eller mindre

Usikkerhet (K): 1,5 m/s²

Modell GA4540C

Arbeidsmåte: Overflatesliping med normalt sidegrep
Genererte vibrasjoner (a_{h,AG}): 6,0 m/s²

Usikkerhet (K): 1,5 m/s²

Arbeidsmåte: Overflatesliping med vibrasjonssikkert sidegrep
Genererte vibrasjoner (a_{h,AG}): 5,5 m/s²

Usikkerhet (K): 1,5 m/s²

Arbeidsmodus: plansliping med normal sidegrep
Genererte vibrasjoner (a_{h,DS}): 2,5 m/s²

Usikkerhet (K): 1,5 m/s²

Arbeidsmodus: plansliping med vibrasjonssikkert sidegrep
Genererte vibrasjoner (a_{h,DS}): 2,5 m/s²

Usikkerhet (K): 1,5 m/s²

Modell GA5040C

Arbeidsmåte: Overflatesliping med normalt sidegrep
Genererte vibrasjoner (a_{h,AG}): 6,5 m/s²

Usikkerhet (K): 1,5 m/s²

Arbeidsmåte: Overflatesliping med vibrasjonssikkert sidegrep
Genererte vibrasjoner (a_{h,AG}): 5,5 m/s²

Usikkerhet (K): 1,5 m/s²

Arbeidsmodus: plansliping med normal sidegrep
Genererte vibrasjoner (a_{h,DS}): 2,5 m/s²

Usikkerhet (K): 1,5 m/s²

Arbeidsmodus: plansliping med vibrasjonssikkert sidegrep
Genererte vibrasjoner (a_{h,DS}): 2,5 m/s²

Usikkerhet (K): 1,5 m/s²

Modell GA6040C

Arbeidsmåte: Overflatesliping med normalt sidegrep
Genererte vibrasjoner (a_{h,AG}): 6,5 m/s²

Usikkerhet (K): 1,5 m/s²

Arbeidsmåte: Overflatesliping med vibrasjonssikkert sidegrep

Genererte vibrasjoner ($a_{h,AG}$): 6,0 m/s²

Usikkerhet (K): 1,5 m/s²

Arbeidsmodus: plansliping med normal sidegrep

Genererte vibrasjoner ($a_{h,DS}$): 2,5 m/s²

Usikkerhet (K): 1,5 m/s²

Arbeidsmodus: plansliping med vibrasjonssikkert sidegrep

Genererte vibrasjoner ($a_{h,DS}$): 2,5 m/s² eller mindre

Usikkerhet (K): 1,5 m/s²

Modell GA4541C

Arbeidsmåte: Overflatesliping med normalt sidegrep

Genererte vibrasjoner ($a_{h,AG}$): 6,5 m/s²

Usikkerhet (K): 1,5 m/s²

Arbeidsmåte: Overflatesliping med vibrasjonssikkert sidegrep

Genererte vibrasjoner ($a_{h,AG}$): 5,5 m/s²

Usikkerhet (K): 1,5 m/s²

Arbeidsmodus: plansliping med normal sidegrep

Genererte vibrasjoner ($a_{h,DS}$): 2,5 m/s² eller mindre

Usikkerhet (K): 1,5 m/s²

Arbeidsmodus: plansliping med vibrasjonssikkert sidegrep

Genererte vibrasjoner ($a_{h,DS}$): 2,5 m/s² eller mindre

Usikkerhet (K): 1,5 m/s²

Modell GA5041C

Arbeidsmåte: Overflatesliping med normalt sidegrep

Genererte vibrasjoner ($a_{h,AG}$): 7,0 m/s²

Usikkerhet (K): 1,5 m/s²

Arbeidsmåte: Overflatesliping med vibrasjonssikkert sidegrep

Genererte vibrasjoner ($a_{h,AG}$): 6,0 m/s²

Usikkerhet (K): 1,5 m/s²

Arbeidsmodus: plansliping med normal sidegrep

Genererte vibrasjoner ($a_{h,DS}$): 2,5 m/s² eller mindre

Usikkerhet (K): 1,5 m/s²

Arbeidsmodus: plansliping med vibrasjonssikkert sidegrep

Genererte vibrasjoner ($a_{h,DS}$): 2,5 m/s² eller mindre

Usikkerhet (K): 1,5 m/s²

MERK: Den angitte verdien for de genererte vibrasjonene er blitt målt i samsvar med standardtestmetoden og kan brukes til å sammenlikne et verktøy med et annet.

MERK: Den angitte verdien for de genererte vibrasjonene kan også brukes til en foreløpig vurdering av eksponeringen.

MERK: Den oppgitte verdien for genererte vibrasjoner brukes for hovedbruksområdene for elektroverktøyet. Hvis verktøyet brukes til andre formål, kan verdien for de genererte vibrasjonene være en annen.

⚠ ADVARSEL: De genererte vibrasjonene ved faktisk bruk av elektroverktøyet kan avvike fra den oppgitte vibrasjonsverdien, avhengig av hvordan verktøyet brukes.

⚠ ADVARSEL: Vær påpasselig med å finne sikkerhetstiltak som beskytter operatøren, basert på en oppfatning av risiko under faktiske bruksforhold (på bakgrunn av alle sider ved brukssyklusen, som når verktøyet slås av og når det går på tomgang, i tillegg til oppstarten).

Gjelder bare land i Europa

EF-samsvarserklæring

Makita erklærer at følgende maskin(er):

Maskinbetegnelse:

Vinkelsliper

Modellnr./type: GA4040C, GA4540C, GA5040C, GA6040C, GA4541C, GA5041C

Samsvar med følgende europeiske direktiver:
2006/42/EC

De er produsert i henhold til følgende standarder eller standardiserte dokumenter:

EN60745

Den tekniske filen i samsvar med 2006/42/EF er tilgjengelig fra:

Makita, Jan-Baptist Vinkstraat 2, 3070, Belgia

1.2.2016

Yasushi Fukaya

Direktør

Makita, Jan-Baptist Vinkstraat 2, 3070, Belgia

Generelle advarsler angående sikkerhet for elektroverktøy

⚠ ADVARSEL Les alle sikkerhetsadvarslene og alle instruksjonene. Hvis du ikke følger alle advarslene og instruksjonene som er oppført nedenfor, kan det føre til elektriske støt, brann og/eller alvorlige helseskader.

Oppbevar alle advarsler og instruksjoner for senere bruk.

Sikkerhetsanvisninger for vinkelsliper

Vanlige sikkerhetsadvarsler for sliping, pussing, stålborsting og kapping :

- 1. Dette elektriske verktøyet er beregnet for sliping, pussing, stålborsting og kapping. Les alle sikkerhetsadvarsler, instruksjoner, illustrasjoner og spesifikasjoner som følger med dette elektroverktøyet.** Hvis ikke alle instruksjonene nedenfor følges, kan det forekomme elektrisk støt, brann og/eller alvorlig skade.
- 2. Polering bør ikke utføres med dette verktøyet.** Bruk av verktøyet til noe annet enn det er beregnet for, kan medføre fare og forårsake personskade.
- 3. Ikke bruk tilbehør som ikke er spesielt beregnet og anbefalt av verktøyprodusenten.** Det at tilbehøret kan monteres på verktøyet, betyr ikke at det er trygt å bruke.
- 4. Angitt hastighet for tilbehøret må være minst like høy som største angitte hastighet på elektroverktøyet.** Tilbehør som kjøres med større hastighet enn det som er angitt, kan gå i stykker og slynges ut.
- 5. Den ytre diameteren og tykkelsen på tilbehøret må ligge innenfor den angitte kapasiteten for elektroverktøyet.** Tilbehør i feil størrelse kan ikke sikres eller kontrolleres fullgodt.

6. **Gjenget montering av tilbehør må samsvare med gjengen på sliperen. For tilbehør montert med flenser, må spindelhullet på tilbehøret passe til med diameteren på flensen.** Tilbehør som ikke passer til monteringsmekanismen på verktøyet vil komme ut av balanse, vibrere sterkt og kan forårsake at du mister kontrollen.
7. **Ikke bruk skadet tilbehør. Før bruk må du undersøke om tilbehør som slipeskiver har hakk eller sprekker, om bakrondeller har sprekker eller er slitt og om stålborster har løse eller ødelagte tråder. Hvis det elektriske verktøyet eller tilbehøret mistes, må du undersøke om det har oppstått skade og eventuelt skifte det ut med uskadd tilbehør. Når et tilbehør er undersøkt og montert, skal du plassere deg selv og andre utenfor tilbehørets rotasjonsplan og kjøre verktøyet på maksimal hastighet, uten belastning, i ett minutt. Skadd tilbehør vil vanligvis gå i stykker i løpet av en slik test.**
8. **Bruk personlig verneutstyr. Avhengig av bruksområdet, må du bruke visir eller vernebriller. Bruk etter behov støvmaske, hørselsvern, hansker og beskyttelsesdekke som kan stoppe små slipepartikler eller fragmenter fra arbeidsstykket. Øyevernet må kunne stoppe flygende biter som oppstår under ulike operasjoner. Støvmasken eller åndedrettsvernet må kunne filtrere ut partikler som oppstår under arbeidet. Kraftig lyd over lengre tid kan forårsake redusert hørsel.**
9. **Hold andre på trygg avstand fra arbeidsområdet. Alle som beveger seg inn i arbeidsområdet må bruke personlig verneutstyr. Fragmenter fra arbeidsstykket eller fra skadet tilbehør kan slynges ut og forårsake skade utenfor det nære arbeidsområdet.**
10. **Hold maskinen kun i det isolerte håndtaket når skjæreverktøyet kan komme i kontakt med skjulte ledninger eller maskinens egen ledning under arbeidet. Hvis kuttetilbehøret kommer i kontakt med «strømførende» ledninger, kan ikke isolerte metalldele i maskinen bli «strømførende» og kunne gi brukeren elektrisk støt.**
11. **Plasser ledningen unna det roterende tilbehøret.** Hvis du mister kontrollen, kan ledningen kuttes av eller henge fast og hånden eller armen din kan bli trukket inn til det roterende tilbehøret.
12. **Ikke legg ned elektroverktøyet før tilbehøret har stoppet helt.** Det roterende tilbehøret kan få feste i overflaten og trekke elektroverktøyet ut av kontroll.
13. **Ikke kjør elektroverktøyet når du bærer det langs siden.** Utsikttet kontakt med roterende tilbehør kan føre til at det fester i klærne og trekkes inn mot kroppen.
14. **Rengjør verktøyets luftventiler regelmessig.** Motorens vifte trekker støv inn i verktøyhuset og mye oppsamlet metallstøv kan medføre elektrisk fare.
15. **Ikke bruk elektroverktøyet nær brennbare materialer.** Gnister kan antenne slike materialer.
16. **Ikke bruk tilbehør som krever kjølevæske.** Bruk av vann eller andre kjølevæsker kan føre til elektrisk støt.

Tilbakeslag og relaterte advarsler

Tilbakeslag er en plutselig reaksjon på en klemt eller fastsittende skive, bakrondell, børste eller annet tilbehør. Fastklemming forårsaker plutselig stopp av det roterende tilbehøret, noe som i sin tur gjør at det ukontrollerbare elektroverktøyet kastes i motsatt retning av tilbehørets rotasjonsretning ved fastklemmingspunktet. Hvis for eksempel en slipeskive klemmes eller hektes fast i arbeidsemnet, kan kanten på skiven som er fastklemt, grave seg inn i overflaten på materialet og føre til at skiven graver seg ut eller slås ut. Skiven kan enten sprette mot eller vekk fra operatøren, avhengig av rotasjonsretningen på skiven når den klemmes fast. Slipeskiver kan også knekke under slike forhold. Tilbakeslag er et resultat av at elektroverktøyet misbrukes og/eller brukes på feil måte eller under feil forhold, og kan unngås ved å ta de nødvendige forholdsreglene som beskrives under.

1. **Hold godt fast i verktøyet og plasser kroppen og armen din slik at du kan motstå kreftene i et tilbakeslag. Bruk alltid hjelpehåndtak når det følger med, for å få best mulig kontroll over tilbakeslag eller dreiemomentreaksjonen ved oppstart.** Operatøren kan kontrollere dreiemomentreaksjonen eller tilbakeslagskreftene hvis de riktige forholdsreglene tas.
2. **Legg aldri hånden nær det roterende tilbehøret.** Tilbehøret kan slå tilbake over hånden.
3. **Ikke plasser kroppen i det området elektroverktøyet kan slå tilbake i.** Tilbakeslag gjør at verktøyet slås i motsatt retning av skivens bevegelse når den blir sittende fast.
4. **Vær spesielt forsiktig under arbeid med hjørner, skarpe kanter osv. Unngå å la tilbehøret sprette eller hugge.** Hjørner, skarpe kanter eller støt har en tendens til å klemme fast det roterende tilbehøret og forårsake tap av kontrollen eller tilbakeslag.
5. **Ikke monter et sagkjedeblad for treskjæring eller et tannet sagblad.** Slike blader gir ofte tilbakeslag og mangel på kontroll.

Spesifikke sikkerhetsadvarsler for sliping og kappesing :

1. **Bruk bare skiver som er anbefalt for elektroverktøyet.** Skiver som ikke er beregnet for verktøyet, kan ikke sikres godt nok og er utrygge.
2. **Slipeoverflaten til skivene med forsenket nav må monteres under planet til vernet.** En feilmontert skive som stikker gjennom planet for vernet kan ikke tilstrekkelig beskyttes.
3. **Vernet må være ordentlig festet til verktøyet og plasseres slik at det gir størst mulig sikkerhet og slik at minst mulig av skiven vender mot brukeren.** Vernet bidrar til å beskytte brukeren mot brukne skivefragmenter og utilsikket kontakt med skiven og mot gnister som kan antenne klær.
4. **Skiver må bare brukes slik det er anbefalt. For eksempel: Ikke slip med siden av en kappeskive.** Kappeskiver for pussing er bare beregnet for periferisk pussing. Sidekrefter mot disse skivene kan knuse dem.
5. **Bruk alltid uskadede skiveflenser med riktig størrelse og form for skiven du har valgt.** Riktige skiveflenser støtter skiven og reduserer muligheten for skivebrudd. Skiveflenser for kappeskiver kan være forskjellige fra skiveflenser for slipeskiver.

6. **Ikke bruk utslitte skiver fra større elektroverktøy.** Skiver fra større elektroverktøy passer ikke for den høyere hastigheten til mindre verktøy og kan sprekke.

Ekstra sikkerhetsadvarsler for kapping :

1. **Ikke «klem fast» den avskårne skiven eller legg sterkt press på den. Ikke forsøk å kutte svært dypt.** For mye press på skiven øker belastningen og sjansen for at skiven vrir eller setter seg fast under kutting, samt at det øker sjansen for tilbakeslag eller at skiven blir ødelagt.
2. **Ikke plasser deg på linje med og bak den roterende skiven.** Når skiven beveger seg bort fra deg ved bruksstedet, kan et mulig tilbakeslag drive den roterende skiven og verktøyet rett mot deg.
3. **Når skiven fastklemmes eller du ønsker å avbryte kappingen, må du slå av verktøyet og holde det i ro til skiven har stoppet helt. Du må aldri forsøke å trekke kutteskiven ut av kuttet mens skiven er i bevegelse. Det kan føre til tilbakeslag.** Undersøk årsaken til at skiven setter seg fast, og rett opp feilen.
4. **Ikke start kappingen på nytt mens skiven står i arbeidsemnet. La skiven få full hastighet og sett den forsiktig i kuttet.** Skiven kan sette seg fast, bli trukket oppover eller gi tilbakeslag hvis det elektriske verktøyet startes på nytt i arbeidsemnet.
5. **Støtt opp plater eller store arbeidsemner for å minimere muligheten for fastklemming eller tilbakeslag.** Store arbeidsemner har en tendens til å synke under sin egen vekt. Det må plasseres støtter under arbeidsemnet nært kuttlinjen og nært kanten på arbeidsemnet på begge sider av skiven.
6. **Vær ekstra forsiktig når du lager «hull» i eksisterende vegger eller andre områder uten innsyn.** Skiven som stikker ut, kan kutte gass- eller vannrør, elektriske ledninger eller objekter som kan forårsake tilbakeslag.

Spesielle sikkerhetsadvarsler for pussing:

1. **Ikke bruk alt for stort smergelpapir.** Følg produsentens anbefalinger når du velger pussepapir. Stort papir som stikker utenfor pusseputen, kan forårsake oppriving og føre til slitasje eller tilbakeslag på skiven.

Spesielle sikkerhetsadvarsler for stålborsting:

1. **Vær oppmerksom på at metalltråder kan løse fra børsten også ved vanlig bruk. Ikke overbelast metalltrådene ved å legge ekstra trykk på børsten.** Metalltrådene kan lett trenge gjennom tynne klær og hud.
2. **Hvis det anbefales bruk av vern ved stålborsting, må du all unngå kontakt mellom stålborsteskiven eller børsten og vernet.** Stålskiver eller børster kan utvide seg på grunn av arbeidsbelastningen og sentrifugalkreftene.

Ekstra sikkerhetsadvarsler:

1. **Når du bruker slipeskiver med forsenket nav, må du passe på bare å bruke glassfiberarmerte skiver.**
2. **BRUK ALDRI denne vinkelsliperen med slipeskiver av typen Stone Cup.** Denne vinkelsliperen er ikke konstruert for denne typen hjul, og bruk av et slikt produkt kan resultere i alvorlige helseskader.

3. **Vær forsiktig så du ikke ødelegger spindelen, flensen (særlig monteringsflaten) eller låsemutteren.** Skade på disse delene kan resultere i at skiven brekker.
4. **Forviss deg om at skiven ikke har kontakt med arbeidsstykket før startbryteren er slått på.**
5. **Før du begynner å bruke maskinen på et arbeidsstykke, bør du la den gå en liten stund. Se etter vibrasjoner eller vingling som kan tyde på at skiven er dårlig balansert.**
6. **Bruk den angitte overflaten av skiven til å utføre slipingen.**
7. **Ikke gå fra verktøyet mens det er i gang. Verktøyet må bare brukes mens operatøren holder det i hendene.**
8. **Ikke berør arbeidsstykket umiddelbart etter bruk. Det kan være ekstremt varmt og kan gi deg brannskader.**
9. **Følg produsentens anvisninger for korrekt montering og bruk av skiver. Håndter og oppbevar skivene forsiktig.**
10. **Ikke bruk separate reduksjonsbøssinger eller adaptere for å tilpasse slipeskiver med store hull.**
11. **Bruk bare flenser som er spesifisert for dette verktøyet.**
12. **For maskiner som er beregnet på å bli utstyrt med gjengehullsskive, må du forvise deg om at gjengen i hullet er lang nok til å passe til spindelengden.**
13. **Forviss deg om at arbeidsstykket står støtt.**
14. **Ta hensyn til at skiven fortsetter å rotere etter at maskinen er slått av.**
15. **Hvis arbeidsplassen er ekstremt varm og fuktig, eller svært forurenset med elektrisk ledende støv, må du bruke en kortslutningsbryter (30 mA) for å ivareta operatørens sikkerhet.**
16. **Ikke bruk maskinen på materialer som inneholder asbest.**
17. **Når du bruker kappeskiven, må du alltid bruke beskyttelseskappen med støvoppsamler, slik lokale bestemmelser krever.**
18. **Kappeskiver må ikke utsettes for trykk fra siden.**
19. **Ikke bruk tekstilhansker når du bruker maskinen. Fibre fra tekstilhanskene kan komme inn i maskinen noe som kan føre til brudd i maskinen.**

TA VARE PÅ DISSE INSTRUKSENE.

⚠ ADVARSEL: IKKE LA hensynet til hva som er "behagelig" eller det faktum at du kjenner produktet godt (etter mange gangers bruk) gjøre deg mindre oppmerksom på sikkerhetsreglene for bruken av det aktuelle produktet. Ved MISBRUK eller hvis ikke sikkerhetsreglene i denne bruksanvisningen følges, kan det oppstå alvorlig personskade.

FUNKSJONSBEKRIVELSE

⚠️FORSIKTIG:

- Forviss deg alltid om at maskinen er slått av og støpselet trukket ut av kontakten før du justerer maskinen eller kontrollerer dens mekaniske funksjoner.

Spindellås

► Fig.1: 1. Spindellås

⚠️FORSIKTIG:

- Du må aldri aktivere spindellåsen mens spindelene beveger seg. Maskinen kan bli ødelagt.

Trykk på spindellåsen for å forhindre spindelrotasjon når du monterer eller fjerner tilbehør.

Bryterfunksjon

► Fig.2: 1. Skyvebryter

⚠️FORSIKTIG:

- Før du forbinder verktøyet med stikkkontakten, må du alltid kontrollere at glidebryteren aktiveres som den skal og returnerer til "OFF"-stilling når du trykker på bakkdelen av skyvebryteren.
- Bryteren kan sperres i "ON"-stilling for å gjøre det lettere for operatøren ved langvarig bruk. Vær forsiktig når du sperrer verktøyet i "ON"-stilling, og hold det godt fast.

For modell GA4040C, GA4041C, GA4540C, GA4541C, GA5040C, GA5041C, GA6040C

Start verktøyet ved å skyve bakkdelen av glidebryteren mot "I (ON)"-stillingen. For kontinuerlig drift trykker du foran på glidebryteren for å låse den. Stopp verktøyet ved å trykke på bakkdelen av glidebryteren, og skyv den deretter mot "O (OFF)"-stillingen.

For modell GA5040CN

Start verktøyet ved å skyve bakkdelen av glidebryteren mot "I (ON)"-stillingen. Stopp verktøyet ved å slippe glidebryteren mot "O (OFF)"-stillingen.

Indikatorlampe

► Fig.3: 1. Indikatorlampe (turtallsinnstillingshjul)

Lampen lyser grønt når verktøyet er koblet til. Hvis indikatorlampen ikke tennes, kan det være en feil på strømfledningen eller kontrolløren. Hvis indikatorlampen tennes, men verktøyet ikke starter selv om det er slått på, kan kullbørstene være slitt, eller det kan være en feil på kontrolløren, motoren eller ON/OFF (på/av)-bryteren.

Sikker mot utilsiktet omstart

Når bryteren er låst, starter ikke verktøyet selv om det er koblet til. På dette tidspunktet blinker indikatorlampen rødt og viser at anordningen som skal hindre utilsiktet omstart er i funksjon. For å slå av anordningen som skal hindre utilsiktet omstart, må du skyve glidebryteren tilbake til "O(OFF)"-stillingen.

Turtallsinnstillingshjul

► Fig.4: 1. Hastighetsinnstillingshjul

Du kan endre rotasjonshastigheten ved å dreie på innstillingshjulet for turtallet til en gitt tallinnstilling fra 1 til 5. Hastigheten øker når hjulet dreies i retning av nummer 5, og hastigheten reduseres når det dreies i retning av nummer 1.

Se også nedenstående tabell når det gjelder forholdet mellom tallinnstillingen på hjulet og den omtrentlige rotasjonshastigheten.

For modell GA4040C, GA4540C, GA5040C, GA5040CN, GA4041C, GA4541C, GA5041C

Nummer	min ⁻¹ (R.P.M.)
1	2 800
2	4 000
3	6 000
4	8 000
5	11 000

For modell GA6040C

Nummer	min ⁻¹ (R.P.M.)
1	4 000
2	5 000
3	6 000
4	7 000
5	9 000

⚠️FORSIKTIG:

- Hvis verktøyet brukes lenge og kontinuerlig ved lavt turtall, vil motoren bli overbelastet og for varm.
- Turtallsinnstillingshjulet kan kun dreies til 5 og så tilbake til 1. Ikke prøv å dreie det forbi 5 eller 1, ellers kan det hende at turtallsinnstillingen slutter å virke.

Elektronisk funksjon

Verktøy som er utstyrt med elektroniske funksjoner er enkle å bruke på grunn av følgende egenskaper.

Konstant turtalls kontroll

Kontroll av konstant hastighet sørger for en pen overflate ved å holde rotasjonshastigheten konstant under belastningen.

Mykstartfunksjon

Funksjonen for myk start hindrer rykkbevegelse ved start.

Overlastvern

Når belastningen på verktøyet overstiger tillatte nivåer, reduseres pådraget på motoren for å unngå overoppheting. Når belastningen er nede på tillatte nivåer igjen, vil verktøyet fungere som vanlig.

Mekanisk bremse

For modell GA4041C, GA4541C, GA5041C

Den mekaniske bremsen aktiveres når verktøyet slås av. Bremsen fungerer ikke dersom strømtilførselen kobles ut med bryteren på.

MONTERING

⚠️FORSIKTIG:

- Forviss deg alltid om at maskinen er slått av og støpselet trukket ut av kontakten før du utfører noe arbeid på maskinen.

Montere støttehåndtak (hjelpéhåndtak)

► Fig.5

⚠️FORSIKTIG:

- Forviss deg alltid om at støttehåndtaket er skikkelig montert før du tar maskinen i bruk.

Skru støttehåndtaket godt fast på maskinen i den stillingen som er vist på figuren.

Montere eller demontere beskyttelseskappen (for skive med forsenket nav, klaffskive, flex-skive, skivebørste/kappeskive, diamantskive)

⚠️ADVARSEL:

- Ved bruk av slipeskive med forsenket nav / klaffskive, flex-skive eller stålborste, må skivebeskyttelsen settes på verktøyet slik at den lukkede siden av kappen vender mot operatøren.
- Ved bruk av slipende kappeskive/diamantskive må du passe på å bruke bare det spesielle skivevernet som er beregnet på bruk med kappeskiver. (I enkelte europeiske land kan det vanlige vernet brukes ved bruk av diamantskive. Følg lokale forskrifter.)

For verktøy med låseskrue med beskyttelseskappe

► Fig.6: 1. Beskyttelseskappe 2. Lagerboks 3. Skrue

Monter skivebeskyttelsen slik at fremspringet på skivebeskyttelsesbåndet er innrettet med hakket i lagerboksen. Drei deretter skivebeskyttelsen 180 ° mot klokken. Forviss deg om at du har trukket skruen godt til. Fjern beskyttelseskappen ved å følge installeringsfremgangsmåten i motsatt rekkefølge.

For verktøy med klemmespak med beskyttelseskappe

► Fig.7: 1. Beskyttelseskappe 2. Lagerboks 3. Skrue 4. Spak

Trekk spaken verktøyet i pilens retning når skruen er løst. Monter skivebeskyttelsen slik at fremspringet på skivebeskyttelsesbåndet er innrettet med hakket i lagerboksen. Drei deretter skivebeskyttelsen 180 °.

► Fig.8: 1. Skrue 2. Spak

Stram skivebeskyttelsen ved å stramme skruen etter at du har trukket spaken i pilens retning. Innstillingsvinkelen på skivebeskyttelsen kan justeres med spaken. Fjern beskyttelseskappen ved å følge installeringsfremgangsmåten i motsatt rekkefølge.

Montere eller fjerne skive med nedsenket nav eller klaffskive (valgfritt tilbehør)

⚠️ADVARSEL:

- Ved bruk av slipeskive med forsenket nav / klaffskive, må skivebeskyttelsen settes på verktøyet slik at den lukkede siden av kappen vender mot operatøren.

► Fig.9: 1. Låsemutter 2. Slipeskive med forsenket nav 3. Indre flens

Monter den indre flensen på spindelen. Sett skiven/disken på den indre flensen og skru låsemutteren på spindelen.

► Fig.10: 1. Låsemutternøkkel 2. Spindellås

Stram låsemutteren ved å trykke så kraftig på spindellåsen at spindelen ikke kan rotere, og bruk låsemutternøkkelen til å stramme mutteren godt med klokken. Fjern skiven ved å følge installeringsfremgangsmåten i motsatt rekkefølge.

Superflens (valgfritt tilbehør)

Modeller med bokstaven F er som standard utstyrt med superflens. Det er bare nødvendig med 1/3 kraft for å løsne låsemutteren sammenlignet med den konvensjonelle typen.

⚠️FORSIKTIG:

- Ikke bruk superflens på modeller med mekanisk bremse. Ellers kan den løsne når bremsen aktiveres.

Montere eller fjerne Ezynut (valgfritt tilbehør)

⚠️FORSIKTIG:

- Ikke bruk Ezynut med superflens eller vinkelsliper med "F" til slutt i modellnummeret. Disse flensene er så tykke at ikke spindelen kan holde hele det gjengede området.

► Fig.11: 1. Ezynut 2. Slipeskive 3. Indre flens 4. Spindel

Monter den indre flensen, slipeskiven og Ezynut på spindelen, og påse at Makita-logoen på Ezynut er vendt utover.

► Fig.12: 1. Spindellås

Press aksellåsen godt på og stram Ezynut ved å dreie slipeskiven/ så langt som mulig med klokken.

Drei den utvendige ringen på Ezynut moturs for å løsne.

► Fig.13: 1. Pii 2. Fordypning

► Fig.14

MERK:

- Du kan løsne Ezynut for hånd så lenge pilen peker mot innsnittet. Ellers må du bruke en låsemutternøkkel for å løsne den. Sett én stift på nøkkelen i et hull og drei Ezynut moturs.

Montere eller fjerne flex-skiven (valgfritt tilbehør)

⚠ ADVARSEL:

- Når du bruker flex-skiven må du alltid bruke medfølgende beskyttelse. Skiven kan splintres under bruk. Beskyttelseskappen bidrar til å hindre personskader.

► **Fig. 15:** 1. Låsemutter 2. Flex-skive 3. Plastpute 4. Indre flens

Følg instruksjonene for skive med nedsenket nav, men bruk også plastrondellen over skiven. Se monteringsrekkefølge på tilbehørssiden i denne håndboken.

Montere eller fjerne slipeskive (valgfritt tilbehør)

MERK:

- Bruk slipetilbehør spesifisert i denne håndboken. Disse må kjøpes separat.

► **Fig. 16:** 1. Låsemutter for pussing 2. Slipeskive 3. Gummirondell

Monter gummirondellen på spindelen. Sett skiven på gummirondellen og skru låsemutteren for sliping på spindelen. Stram låsemutteren for sliping ved å trykke så kraftig på spindellåsen at spindelen ikke kan rotere, og bruk låsemutternøkkelen til å stramme mutteren godt i klokkeretning.

Fjern skiven ved å følge installeringsfremgangsmåten i motsatt rekkefølge.

Montere eller demontere støvdekseltillegg (valgfritt tilbehør)

⚠ ADVARSEL:

- **Kontroller alltid av verktøyet er avslått og koblet fra strøm før du monterer eller fjerner støvavsugtilbehøret.** Hvis du ikke gjør dette kan det føre til skader på verktøyet eller personskader.

Det er fire typer støvavsugtilbehør, og alle brukes i ulike posisjoner.

► **Fig. 17:** 1. A-merking 2. B-merking 3. C-merking 4. D-merking

Fest støvavsugtilbehøret slik at markeringene (A, B, C eller D) er plassert som vist. Klem pinnene på plass i ventilasjonsåpningene.

Støvdekseltillegget kan demonteres for hånd.

MERK:

- Rengjør støvdekseltillegget når det er tett på grunn av støv eller fremmedlegemer. Fortsatt bruk med tett støvdekseltillegg vil skade verktøyet.

BRUK

⚠ ADVARSEL:

- Det burde aldri være nødvendig å bruke makt på maskinen. Vekten av maskinen utøver passende trykk. Maktbruk og for stort trykk kan føre til farlig brudd i skiven.
- Skiven må ALLTID skiftes hvis maskinen mistes under sliping.
- ALDRI dunk eller slå slipeskiven mot arbeidsstykket.
- Unngå at skiven hopper eller setter seg fast, særlig ved sliping av hjørner, skarpe kanter osv. Dette kan føre til at du mister kontrollen, og at maskinen slår tilbake mot deg.
- Maskinen må ALDRI brukes med skjæreblader for tre eller andre sagblader. Hvis slike blader brukes på en slipemaskin, kan de ofte føre til slag fra maskinen, slik at operatøren mister kontrollen og blir skadet.

⚠ FORSIKTIG:

- Maskinen må aldri slås på mens den er i berøring med arbeidsstykket, da dette kan skade operatøren.
- Bruk alltid vernebriller eller ansiktsmaske ved arbeid med maskinen.
- Når du er ferdig å bruke maskinen må du alltid slå den av og vente til skiven har stoppet helt før du setter maskinen ned.

Sliping og pussing

► **Fig. 18**

Maskinen må ALLTID holdes i et fast grep med en hånd på huset og den andre på støttehåndtaket. Slå verktøyet på, og sett deretter skiven på arbeidsstykket. Som regel skal kanten på skiven ha en vinkel på 15 ° mot arbeidsstykkets overflate.

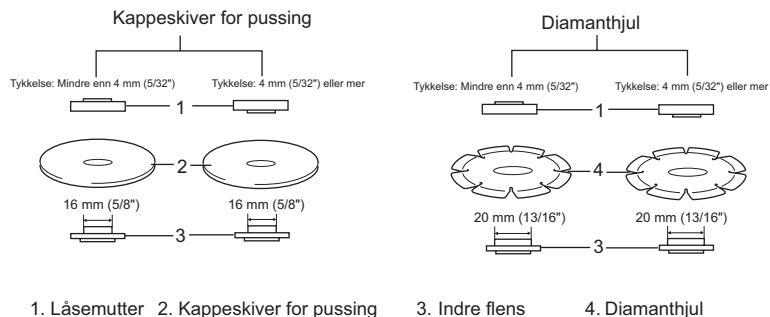
Når du først begynner å bruke en ny skive må du ikke bruke slipemaskinen i retningen B, ellers kan den skjære seg inn i arbeidsoverflaten. Så snart kanten av skiven er avrundet etter å være brukt litt, kan den brukes i både A- og B-retningen.

Bruke kappeskive/diamantskive (valgfritt tilbehør)

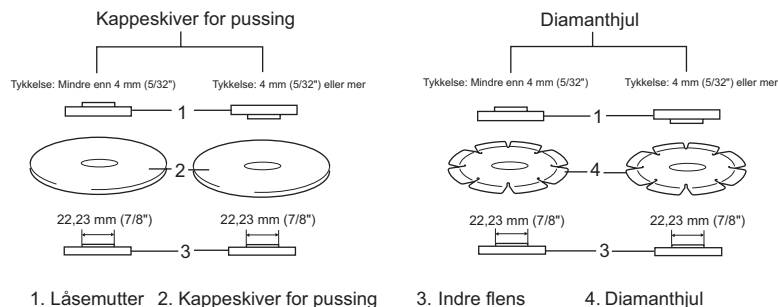
► **Fig. 19:** 1. Låsemutter 2. Slipende kappeskive/diamantskive 3. Indre flens 4. Skivevern for slipende kappeskive/diamantskive

Monteringsretningen for låsemutteren og den indre flensen varierer med tykkelsen på skiven. Se tabellen nedenfor.

Modell med 100 mm (4")



Modell med 115 mm (4 - 1/2") / 125 mm (5") / 150 mm (6")



⚠ ADVARSEL:

- Ved bruk av slipende kappeskive/diamantskive må du passe på å bruke bare det spesielle skivevernet som er beregnet på bruk med kappeskiver. (I enkelte europeiske land kan det vanlige vernet brukes ved bruk av diamantskive. Følg lokale forskrifter.)
- IKKE bruk kappeskiver til sideveis sliping.
- Ikke klem fast skiven eller legg sterk press på den. Ikke foreta ekstra dype kutt. For mye press på skiven øker belastningen og muligheten for vridning eller fastklemming av skiven i kuttet, noe som kan føre til tilbakeslag, skivebrudd og overoppheting av motoren.
- Ikke start kappingen på nytt mens skiven står i arbeidsstykket. La skiven få full hastighet og sett den forsiktig i kuttet samtidig som du beveger verktøyet fremover over overflaten av arbeidsstykket. Skiven kan sette seg fast, vandre opp eller slå tilbake hvis verktøyet startes med skiven i arbeidsstykket.
- Ikke endre vinkel på skiven under bruk. Legger du sideveis press på kappeskiven (som ved pussing), kan det føre til at skiven sprekker og brytes i stykker, noe som kan føre til alvorlig personskaade.
- En diamantskive skal brukes vinkelrett på materialet som kuttes.

Bruke sirkulær stålbørste (valgfritt tilbehør)

⚠ FORSIKTIG:

- Kontroller driften av børsten ved å kjøre verktøyet uten belastning, og forsikre deg om at ingen er foran eller ved siden av børsten.
- Ikke bruk en børste som er skadet, eller som ikke er balansert. Hvis du bruker en skadet børste, kan dette øke faren for personskaade ved kontakt med ødelagte børstetråder.

► **Fig.20:** 1. Sirkulær stålbørste

Plugg fra verktøyet og legg det opp-ned, slik at du få enkel tilgang til spindelen. Fjern eventuelt tilleggsutstyr fra spindelen. Monter den sirkulære stålbørsten på spindelen og trekk til med den medfølgende nøkkelen. Når du bruker børsten, må du unngå å bruke for mye trykk, som fører til at trådene bøyes for mye, og børsten får redusert levetid.

Bruke skivebørste (valgfritt tilbehør)

⚠FORSIKTIG:

- Kontroller driften av skivebørsten ved å kjøre verktøyet uten belastning, og forsikre deg om at ingen er foran eller ved siden av skivebørsten.
- Ikke bruk en skivebørste som er skadet, eller som ikke er balansert. Hvis du bruker en skadet skivebørste, kan dette øke faren for personskade ved kontakt med ødelagte børstetråder.
- Bruk ALLTID beskyttelseskappen med skivebørster, og pass på at skivens diameter passer inne i beskyttelseskappen. Skiven kan splintres under bruk. Beskyttelseskappen bidrar til å hindre personskader.

► Fig.21: 1. Skivebørste

Plugg fra verktøyet og legg det opp-ned slik at du får enkelt tilgang til spindelen. Demonter alt tilbehør fra spindelen. Skru skivebørsten på spindelen og stram med nøklene.

Når du bruker skivebørsten, må du unngå å må du unngå å bruke for mye trykk, som fører til at trådene bøyes for mye, og børsten får redusert levetid.

VEDLIKEHOLD

⚠FORSIKTIG:

- Forviss deg alltid om at maskinen er slått av og støpselet trukket ut av kontakten før du foretar inspeksjon eller vedlikehold.
- Aldri bruk gasolin, bensin, tynner alkohol eller lignende. Det kan føre til misfarging, deformering eller sprekkdannelse.

► Fig.22: 1. Luftutløp 2. Luftinntak

Maskinen og dens lufteåpninger må holdes rene. Rengjør maskinens lufteåpninger med jevne mellomrom eller når åpningene begynner å tettes.

For å opprettholde produktets SIKKERHET og PÅLITELIGHET, må reparasjoner, inspeksjon og skifte av kullbørstene, vedlikehold og justeringer utføres av Makitas autoriserte servicesentre, og det må alltid brukes reservedeler fra Makita.

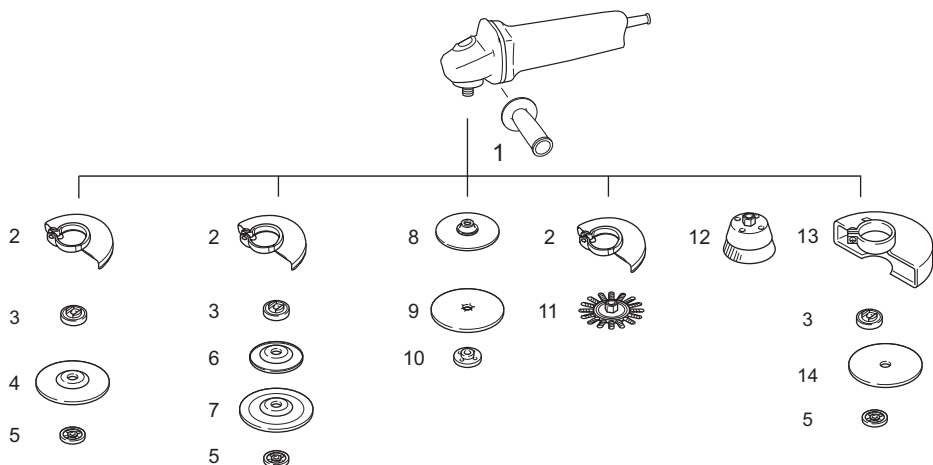
VALGFRITT TILBEHØR

⚠FORSIKTIG:

- Det anbefales at du bruker dette tilbehøret eller verktøyet sammen med den Makita-maskinen som er spesifisert i denne håndboken. Bruk av annet tilbehør eller verktøy kan forårsake helseskader. Tilbehør og verktøy må kun brukes til det formålet det er beregnet på.

Ta kontakt med ditt lokale Makita-servicesenter hvis du trenger mer informasjon om dette tilbehøret.

- Feste for støvhette



	Modell med 100 mm (4")	Modell med 115 mm (4-1/2")	Modell med 125 mm (5")	Modell med 150 mm (6")
1	Håndtak 36			
2	Skivebeskyttelse (for slipeskive)			
3	Indre flens	Indre flens Superflens *1	Indre flens Superflens *1	Indre flens Superflens *1
4	Skive med nedsenket nav / klaffskive			
5	Låsemutter	Låsemutter Ezynut *2	Låsemutter Ezynut *2	Låsemutter Ezynut *2
6	Plastpute	Plastpute	Plastpute	-
7	Flex-skive	Flex-skive	Flex-skive	-
8	Gummirondell 76	Gummirondell 100	Gummirondell 115	Gummirondell 125
9	Slipeskive			
10	Låsemutter for pussing			
11	Skivebørste			
12	Sirkulær stålbørste			
13	Skivebeskyttelse (for kappeskive) *3			
14	Slipende kappeskive/diamantskive			
-	Låsemutternøkkel			

Merk:

*1 Ikke bruk superflens med en sliper som er utstyrt med bremsefunksjon.

*2 Ikke bruk superflens og Ezynut sammen.

*3 I enkelte europeiske land kan du, ved bruk av diamantskive, bruke det vanlige vernet i stedet for spesialvernet som dekker begge sider av skiven. Følg lokale forskrifter.

MERK:

- Enkelte elementer i listen kan være inkludert som standardtilbehør i verktøypakken. Elementene kan variere fra land til land.

TEKNISET TIEDOT

Malli	GA4040C	GA4041C	GA4540C	GA4541C	GA5040C / GA5040CN	GA5041C	GA6040C
Laikan halkaisija	100 mm (4")		115 mm (4-1/2")		125 mm (5")		150 mm (6")
Laikan enimmäispaksuus	6,4 mm		7,2 mm				6,4 mm
Karan kierre	M10		M14 tai 5/8" (maakohtainen)				
Nimellisenopeus (n) / nopeus kuormittamattomana (n ₀)	11 000 min ⁻¹		11 000 min ⁻¹		11 000 min ⁻¹		9 000 min ⁻¹
Kokonaispituus	303 mm	325 mm	303 mm	325 mm	303 mm	325 mm	303 mm
Nettopaino	2,3 kg	2,6 kg	2,5 kg	2,7 kg	2,5 kg	2,7 kg	2,6 kg
Turvaluokitus	II/III						

- Jatkuvan tutkimus- ja kehitysohjelman vuoksi pidätämme oikeuden muuttaa tässä mainittuja teknisiä ominaisuuksia ilman ennakkoilmoitusta.
- Tekniset ominaisuudet saattavat vaihdella eri maissa.
- Paino EPTA-menetelmän 01/2003 mukaan

Käyttötarkoitus

Työkalu on tarkoitettu metallin ja kiven hiomiseen ja leikkaamiseen ilman vettä.

Virtalähde

Laitteen saa kytkä vain sellaiseen virtalähteeseen, jonka jännite on sama kuin arvokilvessä ilmoitettu, ja sitä saa käyttää ainoastaan yksivaiheisella vaihtovirralla. Laitte on kaksinkertaisesti suojaeristetty, ja se voidaan siten kytkä myös maadoittamattomaan pistorasiaan.

Melutaso

Tyypillinen A-painotettu melutaso määräytyy EN60745-standardin mukaan:

Malli GA4040C, GA4540C, GA5040C

Äänenpainetaso (L_{pA}): 86 dB (A)

Äänitehotaso (L_{WA}): 97 dB (A)

Virhemarginaali (K): 3 dB (A)

Malli GA6040C

Äänenpainetaso (L_{pA}): 87 dB (A)

Äänitehotaso (L_{WA}): 98 dB (A)

Virhemarginaali (K): 3 dB (A)

Malli GA4541C

Äänenpainetaso (L_{pA}): 83 dB (A)

Äänitehotaso (L_{WA}): 94 dB (A)

Virhemarginaali (K): 3 dB (A)

Malli GA5041C

Äänenpainetaso (L_{pA}): 84 dB (A)

Äänitehotaso (L_{WA}): 95 dB (A)

Virhemarginaali (K): 3 dB (A)

Käytä kuulosuojaimia

Tärinä

Värähtelyn kokonaisarvo (kolmiakselivektorin summa) on määritelty EN60745mukaan:

Malli GA4040C

Työtila : pintahionta tavallista sivukahvaa käyttäen

Tärinäpäästö (a_{h,AG}): 5,0 m/s²

Virhemarginaali (K): 1,5 m/s²

Työtila : pintahionta tärinävarmennettua sivukahvaa käyttäen

Tärinäpäästö (a_{h,AG}): 5,0 m/s²

Virhemarginaali (K): 1,5 m/s²

Työmenetelmä: laikkahionta normaalia sivukahvaa käyttäen

Tärinäpäästö (a_{h,DS}): 3,0 m/s²

Virhemarginaali (K): 1,5 m/s²

Työmenetelmä: laikkahionta tärinävaimennettua sivukahvaa käyttäen

Tärinäpäästö (a_{h,DS}): 2,5 m/s² tai vähemmän

Virhemarginaali (K): 1,5 m/s²

Malli GA4540C

Työtila : pintahionta tavallista sivukahvaa käyttäen

Tärinäpäästö (a_{h,AG}): 6,0 m/s²

Virhemarginaali (K): 1,5 m/s²

Työtila : pintahionta tärinävarmennettua sivukahvaa käyttäen

Tärinäpäästö (a_{h,AG}): 5,5 m/s²

Virhemarginaali (K): 1,5 m/s²

Työmenetelmä: laikkahionta normaalia sivukahvaa käyttäen

Tärinäpäästö (a_{h,DS}): 2,5 m/s²

Virhemarginaali (K): 1,5 m/s²

Työmenetelmä: laikkahionta tärinävaimennettua sivukahvaa käyttäen

Tärinäpäästö (a_{h,DS}): 2,5 m/s²

Virhemarginaali (K): 1,5 m/s²

Malli GA5040C

Työtila : pintahionta tavallista sivukahvaa käyttäen

Tärinäpäästö (a_{h,AG}): 6,5 m/s²

Virhemarginaali (K): 1,5 m/s²

Työtila : pintahionta tärinävarmennettua sivukahvaa käyttäen

Tärinäpäästö (a_{h,AG}): 5,5 m/s²

Virhemarginaali (K): 1,5 m/s²

Työmenetelmä: laikkahionta normaalia sivukahvaa käyttäen

Tärinäpäästö (a_{h,DS}): 2,5 m/s²

Virhemarginaali (K): 1,5 m/s²

Työmenetelmä: laikkahionta tärinävaimennettua sivukahvaa käyttäen

Tärinäpäästö (a_{h,DS}): 2,5 m/s²

Virhemarginaali (K): 1,5 m/s²

Malli GA6040C

Työtila : pintahionta tavallista sivukahvaa käyttäen

Tärinäpäästö ($a_{h,AG}$): 6,5 m/s²

Virhemarginaali (K): 1,5 m/s²

Työtila : pintahionta tärinävarmennettua sivukahvaa käyttäen

Tärinäpäästö ($a_{h,AG}$): 6,0 m/s²

Virhemarginaali (K): 1,5 m/s²

Työmenetelmä: laikkahionta normaalia sivukahvaa käyttäen

Tärinäpäästö ($a_{h,DS}$): 2,5 m/s²

Virhemarginaali (K): 1,5 m/s²

Työmenetelmä: laikkahionta tärinävaimennettua sivukahvaa käyttäen

Tärinäpäästö ($a_{h,DS}$): 2,5 m/s² tai vähemmän

Virhemarginaali (K): 1,5 m/s²

Malli GA4541C

Työtila : pintahionta tavallista sivukahvaa käyttäen

Tärinäpäästö ($a_{h,AG}$): 6,5 m/s²

Virhemarginaali (K): 1,5 m/s²

Työtila : pintahionta tärinävarmennettua sivukahvaa käyttäen

Tärinäpäästö ($a_{h,AG}$): 5,5 m/s²

Virhemarginaali (K): 1,5 m/s²

Työmenetelmä: laikkahionta normaalia sivukahvaa käyttäen

Tärinäpäästö ($a_{h,DS}$): 2,5 m/s² tai vähemmän

Virhemarginaali (K): 1,5 m/s²

Työmenetelmä: laikkahionta tärinävaimennettua sivukahvaa käyttäen

Tärinäpäästö ($a_{h,DS}$): 2,5 m/s² tai vähemmän

Virhemarginaali (K): 1,5 m/s²

Malli GA5041C

Työtila : pintahionta tavallista sivukahvaa käyttäen

Tärinäpäästö ($a_{h,AG}$): 7,0 m/s²

Virhemarginaali (K): 1,5 m/s²

Työtila : pintahionta tärinävarmennettua sivukahvaa käyttäen

Tärinäpäästö ($a_{h,AG}$): 6,0 m/s²

Virhemarginaali (K): 1,5 m/s²

Työmenetelmä: laikkahionta normaalia sivukahvaa käyttäen

Tärinäpäästö ($a_{h,DS}$): 2,5 m/s² tai vähemmän

Virhemarginaali (K): 1,5 m/s²

Työmenetelmä: laikkahionta tärinävaimennettua sivukahvaa käyttäen

Tärinäpäästö ($a_{h,DS}$): 2,5 m/s² tai vähemmän

Virhemarginaali (K): 1,5 m/s²

HUOMAA: Ilmoitettu tärinäpäästöarvo on mitattu standarditestaustestimen mukaisesti, ja sen avulla voidaan vertailla työkaluja keskenään.

HUOMAA: Ilmoitettua tärinäpäästöarvoa voidaan käyttää myös altistumisen alustavaan arviointiin.

HUOMAA: Ilmoitettu tärinäpäästöarvo koskee tämän työkalun pääasiallisia käyttötarkoituksia. Tärinäpäästöarvo voi kuitenkin muuttua, jos työkalua käytetään muihin tarkoituksiin.

VAROITUS: Työkalun käytön aikana mitattu todellinen tärinäpäästöarvo voi poiketa ilmoitetusta tärinäpäästöarvosta työkalun käyttötavan mukaan.

VAROITUS: Selvitä käyttäjän suojaamiseksi tarvittavat varoimet todellisissa käyttöolosuhteissa tapahtuvan arvioidun altistumisen mukaisesti (ottaen huomioon käyttöajako kokonaisuudessaan, myös jaksot, joiden aikana työkalu on sammutettuna tai käy tyhjäkäynnillä).

Koskee vain Euroopan maita

VAKUUTUS EC-VASTAAVUUDESTA

Makita ilmoittaa, että seuraava(t) kone(et)

Koneen tunnistetiedot:

Kulmahiomakone

Mallinro/tyyppi: GA4040C, GA4540C, GA5040C,

GA6040C, GA4541C, GA5041C

Täyttävät seuraavien eurooppalaisten direktiivien vaatimukset:

2006/42/EC

On valmistettu seuraavien standardien tai standardoitujen asiakirjojen mukaisesti:

EN60745

Direktiivin 2006/42/EY mukaiset tekniset tiedot ovat saatavissa seuraavasta osoitteesta:

Makita, Jan-Baptist Vinkstraat 2, 3070, Belgium

1.2.2016

Yasushi Fukaya

Johtaja

Makita, Jan-Baptist Vinkstraat 2, 3070, Belgium

Sähkötyökalujen käyttöä koskevat varoitukset

VAROITUS Lue kaikki turvallisuusvaroitukset ja käyttöohjeet. Varoitusten ja ohjeiden noudattamatta jättäminen voi johtaa sähköiskuun, tulipaloon ja/tai vakavaan vammautumiseen.

Säilytä varoitukset ja ohjeet tulevaa käyttöä varten.

Hiomakone turvavaroitukset

Hiontaa, hiekkapaperihiontaa, harjausta ja katkaisua koskevat yleiset varoitukset:

1. Tätä sähkötyökalua voidaan käyttää hiomakoneena, hiekkapaperihiomakoneena, teräs-harjana ja katkaisutyökaluna. Tutustu kaikkiin tämän sähkötyökalun mukana toimitettuihin varoituksiin, ohjeisiin, kuviin ja teknisiin tietoihin. Seuraavassa lueteltujen ohjeiden noudattamatta jättäminen saattaa johtaa sähköiskuun, tulipaloon tai vakavaan vammautumiseen.
2. Älä käytä työkalua kiillottamiseen. Sellaiset toiminnot, joihin tätä sähkötyökalua ei ole suunniteltu, voivat aiheuttaa vaaran ja aiheuttaa henkilövämmän.

3. **Älä käytä sellaisia lisävarusteita, jotka eivät ole nimenomaan valmistajan suunnitteleimia tai suoitellemia.** Vaikka lisävarusteen voi kiinnittää työkaluun, sen käyttö ei silti välttämättä ole turvallista.
 4. **Lisävarusteen määrätyn nopeuden täytyy olla ainakin samanvertainen tehokoneessa asoitettujen enimmäisnopeuden kanssa.** Sellaiset lisävarusteet, jotka toimivat nopeammin, kuin määritetty nopeus, voivat rikkoutua ja sinkoutua erilleen.
 5. **Lisävarusteeksi ulkohalkaisijan ja paksuuden on oltava tehokoneesi määritetyn kapasiteetin sisällä.** Väärin mitoitettuja lisävarusteita ei voida suojata tai ohjata sopivasti.
 6. **Lisävarusteiden kierteitetyn asennuskiinnityksen on vastattava hiomakoneen karan kierteitä. Laippa-asennettävien lisävarusteiden asennusreian on vastattava kohdistuslaipan halkaisijaa.** Jos lisävaruste ei sovi tehokoneen asennusvarustukseen, tehokone ei ole tasapainossa. Se voi täristä voimakkaasti, mikä voi aiheuttaa työkalun hallinnan menetyksen.
 7. **Älä käytä viallisia lisävarusteita. Ennen jokaista käyttökertaa tarkista, että hiomalaikassa ei ole lohkeamia tai halkeamia, tynnyissä ei ole halkeamia tai merkkejä liiallisesta kulumisesta ja että teräharjan harjaket eivät ole irti tai halkeilleet.** Jos työkalu tai lisävaruste pääsee putoamaan, tarkista sen kunto tai vaihda lisävaruste ehjään. Asetu lisävarusteen tarkastuksen ja asennuksen jälkeen niin, ettet itse tai kukaan sivullinen ole pyörivän lisävarusteen kanssa samassa tasossa ja käytä laitetta sitten suurimmalla sallitulla joutokäyntinopeudella yhden minuutin ajan. Vioittunut lisävaruste hajoaa yleensä tässä testijassaa.
 8. **Käytä suojavarusteita. Käytä käyttötarkoituksen mukaisesti kasvosuojusta, suojalaseja tai sivusuojilla varustettuja laseja. Käytä tarvittaessa hengityssuojainta, kuulosuojaimia, hansikkaita ja työessua, joka suojaa pieniltä pirstaleilta.** Suojalasiin täytyy suojata kaikenlaisista töistä aiheutuvilta lentäviltä pirstaleilta. Hengityssuojaimen täytyy suodattaa työskenteleyn tuottamat hiukkaset. Pitkäaikainen altistuminen voimakkaalle melulle voi vahingoittaa kuuloa.
 9. **Sivullisten tulee pysyä turvallisen etäisyyden päässä työskentelyalueesta. Kaikkien työskentelyalueelle tulevien on käytettävä suojavarusteita.** Työkappaleen tai rikkoutuneen lisävarusteen pirstaleet voivat aiheuttaa vammaan välittömästi toiminta-alueen ulkopuolella.
 10. **Jos on mahdollista, että työkalun terä osuu piiloissa oleviin johtoihin tai koneen omaan virtajohtoon, pidä leikatessasi kiinni työkalusta sen eristetyistä tartuntapinnoista.** Jos leikkauslisävaruste joutuu kosketukseen jännitteen johdon kanssa, jännite voi siirtyä työkalun sähköä johtaviin metalliosiin ja aiheuttaa käyttäjälle sähköiskun.
 11. **Aseta johto varmaan paikkaan pyörivästä lisävarusteesta.** Jos menetät hallintakyvyn, johto voi katketa tai repeytyä ja kätesi voi joutua pyörivään lisävarusteeseen.
 12. **Älä koskaan laita tehokoneita alas, ennen kuin lisävaruste on täysin pysähtynyt.** Pyörivä lisävaruste voi tarrata pintaan ja vetää tehokoneen käsistäsi.
 13. **Älä käytä laitetta, kun kannat sitä sivullasi.** Vahingossa aiheutuva kosketus pyörivään lisävarusteeseen voi repiä vaatteesi, vetäen lisävarusteen kehoosi.
 14. **Puhdista työkalun ilma-aukot säännöllisesti.** Moottorin tuuletin imee pölyä koteloon, ja metallijauheen kerääntyminen laitteeseen voi aiheuttaa sähköiskuvaaran.
 15. **Älä käytä tehokoneita tulenarkojen materiaalien lähellä.** Kipinät voivat sytyttää nämä materiaalit.
 16. **Älä käytä sellaisia lisävarusteita, jotka vaativat jäähdytysnestettä.** Jos käytät vettä tai muita jäähdytysnestettä, ne voivat aiheuttaa sähkötapaturman tai -iskun.
- Takapotku ja siihen liittyvät varoitukset**
- Takapotku on kiinni juuttuneen laikan, tynny, harjan tai muun lisävarusteen aiheuttama äkillinen sysäys. Kiinni juuttuminen tai takertelu aiheuttaa sen, että pyörivä lisävaruste pysähtyy, mikä puolestaan alkaa työntää laitetta hallitsemattomasti pyörimisliikkeelle vastakkaiseen suuntaan. Jos laikka esimerkiksi juuttuu työkappaleeseen, juuttumiskohtaan pureutumassa oleva laikka voi tunkeutua kappaleen pintaan, jolloin se kiipeää ylös tai potkaisee taaksepäin. Laikka voi ponnahtaa joko käyttäjää kohti tai käyttäjää poispäin riippuen laikan pyörimissuunnasta juuttumishetkellä. Hiomalaikan voivat myös rikkoutua näissä tilanteissa.
- Takapotku johtuu tehokoneen virheellisestä käytöstä ja/ tai käyttötavasta tai olosuhteista. Takapotku voidaan välttää seuraavien varoitomien avulla.
1. **Pitele tehokoneesta tukevasti kiinni ja asetu sellaiseen asentoon, että voit vastustaa takapotkun voimaa.** Käytä aina apukahvaa, jos annettu mukana, takapotkujen tai vääntömomentin maksimi hallinnon vuoksi käynnistykseen aikana. Käyttäjä voi hallita vääntömomentin reaktioita tai takapotkun voimaa noudattamalla sopivia varoitomenpiteitä.
 2. **Älä koskaan vie kättäsi pyörivän lisävarusteen lähelle.** Lisävaruste saattaa aiheuttaa takapotkun käsillesi.
 3. **Älä asetu niin, että kehosi jää sähkötyökalun tielle takapotkun sattuessa.** Takapotku heittää laitetta laikan pyörimissuuntaan nähden päinvastaiseen suuntaan.
 4. **Ole erityisen varovainen, kun työstät nurkkia, teräviä reunoja tms. Vältä laikan pommimista ja jumittumista.** Kulmilla, terävillä reunoilla tai ponnahdamisella on taipumus repäistä pyörivää lisävarustetta ja aiheuttaa hallinnan menettämisen tai takapotkun.
 5. **Älä käytä laitteessa moottorisahan puunleikkuuterää tai hammastettua terää.** Tällaiset terät aiheuttavat usein takapotkuja ja hallinnan menettämisen.
- Hiontaa ja katkaisua koskevat erityiset varoitukset:**
1. **Käytä vain kyseiselle sähkötyökalulle tarkoitettuja laikkatyyppejä ja kyseiselle laikalte tarkoitettua erikoissuojaa.** Muita kuin kyseiselle sähkötyökalulle nimenomaisesti tarkoitettuja laikkoja ei voida suojata kunnolla, eivätkä ne ole turvallisia.
 2. **Upotetulla navalla varustettujen laikkojen hiomapinnan on oltava suojareunan tason alapuolella.** Väärin asennettua laikkaa, joka työntyy suojareunan tason läpi, ei ole asianmukaisesti suojattu.
 3. **Suojus on kiinnitettävä laitteeseen tukevasti turvalliseen asentoon niin, että mahdollisimman pieni osa laikasta näkyy käyttäjää kohti.** Suoja suoja käyttäjää rikkoutuneen laikan palasilta ja kipinöiltä, jotka voisivat sytyttää vaatteet palamaan, sekä estää vahingossa koskettamasta laikkaa.

- Laikkoja saa käyttää vain niille suositeltuun käyttötarkoitukseen. Esimerkki: älä käytä katkaisulaikan sivua hiomiseen.** Katkaisulaikkaa käytettäessä hionta on tarkoitettu tehtäväksi vain laikan kehällä. Laikkaan kohdistettava sivuttaisvoima voi rikkoa sen sirpaleiksi.
- Käytä aina ehjiä ja oikean kokoisia laikkalaippoja, joiden muoto vastaa valittua laikkaa.** Oikeantyyppiset laikkalaipat tukevat laikkaa ja pienentävät näin laikan rikkoutumisriskiä. Katkaisulaikkoihin tarkoitettua laipaa voivat olla erilaisia kuin hiomalaikkojen laipat.
- Älä käytä suurempien sähkötyökalujen kulu-neita laikkoja.** Suuriin sähkötyökaluihin tarkoitettua laipaa eivät sovi suuremmalla nopeudella toimiviin pienempiin työkaluihin ja voivat siksi hajota.

Katkaisua koskevat lisävaroitukset:

- Älä anna laikan juuttua paikalleen äläkä käytä liialliseen painetta. Älä yritä tehdä liian syvää uraa.** Laikan liiallinen painaminen lisää kuormitusta ja laikan vääntymis- tai juuttumisriskiä, jolloin seurauksena voi olla takapotku tai laikan rikkoutuminen.
- Älä asetu samaan linjaan pyörivän laikan taakse.** Kun laikka käytettäessä liikkuu käyttäjistä pois päin, mahdollinen takapotku voi ystävää pyörivän laikan ja sähkötyökalun suoraan käyttäjää kohti.
- Kun laikka takertelee tai työ joudutaan jostakin syystä keskeyttämään, katkaise laitteesta virta ja pidä sitä paikoillaan liikkumatta, kunnes laikka on täysin pysähtynyt. Älä koskaan yritä irrottaa laikkaa urasta, kun laikka vielä pyörii, koska seurauksena voi olla takapotku.** Selvitä laikan takertelun syy ja poista juuttumisen aiheutumisen syy.
- Älä käynnistä laitetta niin, että se on kiinni työkappaleessa. Anna laikan savuttaa täysi pyörimisnopeus ja työnnä laikka sitten varovasti leikkuu-uraan.** Jos työkalu käynnistetään niin, että se on kiinni työkappaleessa, laikka voi juuttua, työntyä taaksepäin tai ponnahtaa ylös.
- Vähennä laikan takertelu- ja takapotkuriskiä tukemalla paneelit ja ylisuuret työkappaleet huolellisesti.** Suurikokoiset työkappaleet pyrkivät taipumaan omasta painostaan. Työkappale on tuettava laikan kummaltakin puolelta leikkulinjan vierestä ja työkappaleen reunoilta.
- Ole erityisen varovainen, kun teet aukkoja seinäin tai muihin umpinaisiin rakenteisiin.** Laikka voi katkaista kaasu- tai vesiputken tai sähköjohtoja tai osua takapotkun aiheuttaviin esteisiin.

Hiekkapaperihiontaa koskevat erikoismääräykset:

- Älä käytä ylikokoista hiomalaikkapaperia.** Noudata hiekkapaperin valinnassa valmistajan suosituksia. Hiomatyönnyn ulkopuolelle ulottuva hiekkapaperi voi revetä ja aiheuttaa takertelua, laikkavaurioita tai takapotkun.

Teräsharjausta koskevat erityiset varoitukset:

- Ota huomioon, että harjaksia irtoaa harjasta myös normaalikäytössä. Älä kuormita harjaksia turhaan painamalla liian voimakkaasti.** Harjakset voivat helposti tunkeutua kevyen vaatekudoksen ja/tai ihon läpi.
- Jos harjauksessa suositellaan käytettävää suojusta, älä anna harjauslaikan tai harjan koskettaa suojukseen.** Harjauslaikan tai harjan halkaisija voi kasvaa kuormituksen ja keskipakoisvoiman vaikutuksesta.

Turvallisuutta koskevat lisävaroitukset:

- Jos käytät hiomalaikkaa, jossa on upotettu keskiö, varmista, että laikka on lasikuivastuvahvisteinen.**
- ÄLÄ KOSKAAN käytä tässä hiomakoneessa kiven hiontaan tarkoitettuja kuppilaitteita.** Hiomakoneetta ei ole suunniteltu tämän tyyppisten laikkojen käyttöön. Vääräntyyppisten laikkojen käyttö voi aiheuttaa vakavan henkilövahingon.
- Varo, ettet vahingoita karaa, laippaa (erityisesti asennuspintaa) tai lukkomutteria.** Näiden osien vioittuminen voi aiheuttaa laikan rikkoutumisen.
- Varmista, ettei laikka kosketa työkappaleeseen, ennen kuin virta on kytketty päälle kytkimestä.**
- Anna koneen käydä jonkin aikaa, ennen kuin alat työstää työkappaleita.** Varo, ettei se värähtele tai tärisi, mikä voi olla merkki siitä, että laikka on huonosti asennettu tai tasapainotettu.
- Käytä hiontaan siihen tarkoitettua laikkaa pintaa.**
- Älä jätä työkalua käymään itseksensä.** Käytä laitetta vain silloin, kun pidät sitä kädessä.
- Älä kosketa työkappaleita heti käytön jälkeen, sillä se saattaa olla erittäin kuuma ja polttaa ihoa.**
- Noudata valmistajan ohjeita laikkojen oikeasta asennuksesta ja käytöstä.** Käsittele laikkoja varoen ja säilytä niitä huolella.
- Älä käytä erillisiä supistusholkkeja tai sovitimia isoaukkoisten hiomalaikkojen kiinnitykseen.**
- Käytä ainoastaan tälle työkalulle tarkoitettuja laippoja.**
- Kun käytät kierreleillä varustetuille laikoille tarkoitettua työkalua, varmista, että laikan kierteteet vastaavat pituudeltaan karan pituutta.**
- Varmista, että työkappale on tukevasti paikoillaan.**
- Ota huomioon, että laikka jatkaa pyörimistään vielä sen jälkeen, kun virta on katkaistu.**
- Jos työtila on erittäin kuuma ja kostea tai siinä esiintyy runsaasti sähköä johtavaa pölyä, varmista turvallisuus käyttämällä vikavirtakatkaisinta (30 mA).**
- Älä hio tai leikkaa työkalulla mitään asbestia sisältäviä materiaaleja.**
- Käytä aina paikallisten määräysten edellyttämä pölyä keräävää laikansuojusta.**
- Katkaisulaikkaa ei saa painaa sivusuunnassa.**
- Älä pidä kankaisia työkasineita käytön aikana.** Kankaisista kasineista irtoavat kuidut voivat päätyä työkalun sisään ja vaurioittaa työkalua.

SÄILYTÄ NÄMÄ OHJEET.

VAROITUS: ÄLÄ anna työkalun helppokäyttöisyyden (toistuvan käytön aikaansaama) johtaa sinua väärään turvallisuuden tunteeseen niin, että laiminlyöt työkalun turvaohjeiden noudattamisen. **VÄÄRINKÄYTTÖ** tai tässä käyttöohjeessa ilmoitettujen turvamääräysten laiminlyönti voi aiheuttaa vakavia henkilövahinkoja.

TOIMINTOJEN KUVAUS

▲HUOMIO:

- Varmista aina ennen koneen säätöjen ja toiminnallisten tarkistusten tekemistä, että kone on sammutettu ja irrotettu pistorasiasta.

lukitus

► **Kuva1:** 1. Karalukitus

▲HUOMIO:

- Älä koskaan kytke lukkoa päälle n pyöriessä. Työkalu voi rikkoutua.

Kun kiinnität tai irrotat lisälaitteita, estä a pyörimästä painamalla lukitusta.

Kytkimen käyttäminen

► **Kuva2:** 1. Liukukytkin

▲HUOMIO:

- Ennen työkalun liittämistä virransyöttöön, tarkista, että liukukytkin kytketty oikein ja palautuu "OFF"-asentoon, kun liukukytkimen takaosaa painetaan.
- Kytkimen voi lukita "ON"-asentoon, jotta pitkäaikainen käyttö olisi käyttäjälle mukavampaa. Noudata varovaisuutta lukitessasi työkalun "ON"-asentoon ja pidä työkalusta luja ote.

Malli GA4040C, GA4041C, GA4540C, GA4541C, GA5040C, GA5041C, GA6040C

Käynnistä työkalu siirtämällä liukukytkin asentoon "I (ON)" työntämällä liukukytkimen takaosaa. Jatkuvaa käyttöä varten paina liukukytkimen etuosaa sen lukitsemiseksi. Sammuta työkalu painamalla liukukytkimen takaosaa ja tämän jälkeen siirtämällä se asentoon "O (OFF)".

Malli GA5040CN

Käynnistä työkalu siirtämällä liukukytkin asentoon "I (ON)" työntämällä liukukytkimen takaosaa. Pysäytät työkalun vapauttamalla liukukytkimen "O (OFF)" asentoon päin.

Merkkivalo

► **Kuva3:** 1. Merkkivalo (nopeudensäädin)

Vihreä merkkivalo syttyy, kun laite liitetään virransyöttöön. Jos merkkivalo ei syty, päävirtajohto tai ohjain saattaa olla vahingoittunut. Merkkivalo palaa, mutta työkalu ei käynnisty silloinkaan, kun työkalu käynnistetään, hiiliharjat saattavat olla kuluneet tai ohjain, moottori tai ON/OFF (päällä/pois päältä)-kytkin saattaa olla vaurioitunut.

Tahaton uudelleenikäynnistyksen todiste

Jos kytkin on lukitussa asennossa, työkalu ei käynnisty vaikka se olisikin liitettyä virransyöttöön. Tässä tilanteessa merkkivalo vilkkuu punaisena ja osoittaa, että tahattoman uudelleenikäynnistyksen suojavaite on toiminnassa. Peruuta tahattoman uudelleenikäynnistyksen suojaus siirtämällä kytkin asentoon "O(OFF)".

Nopeudensäätöpyörä

► **Kuva4:** 1. Nopeudensäätöpyörä

Voit muuttaa pyörimisnopeutta kääntämällä nopeudensäätöpyörää numeroasetukseen 1-5. Nopeus kasvaa kääntettäessä numero 5 kohti. Nopeus pienenee kääntettäessä numeroa 1 kohti. Seuraavassa taulukossa on numeroasetuksia vastaava arvioitu pyörimisnopeus.

Mallille GA4040C, GA4540C, GA5040C, GA5040CN, GA4041C, GA4541C, GA5041C

Luku	min ⁻¹ (kierr./min)
1	2 800
2	4 000
3	6 000
4	8 000
5	11 000

Mallille GA6040C

Luku	min ⁻¹ (kierr./min)
1	4 000
2	5 000
3	6 000
4	7 000
5	9 000

▲HUOMIO:

- Jos konetta käytetään pitkäaikaisesti pienellä nopeudella, sen moottori ylikuormittuu ja kuumenee.
- Nopeussäädintä voi kääntää vain asentoon 5 tai asentoon 1 ja saakka. Älä pakota sitä asennon 5 tai 1 ohi, koska nopeudensäätötoiminto saattaa lakata toimimasta.

Sähköinen toiminta

Sähköisiä toimintoja sisältäviä työkaluja on helppo käyttää seuraavien ominaisuuksien ansiosta.

Vakionopeuden säätö

Vakionopeuden säätö tuottaa laadukkaan jäljen, sillä se varmistaa pyörimisnopeuden säilymisen vakiona myös kuormittuna.

Pehmeä käynnistys

Pehmeä käynnistys vaimentaa käynnistyksen yhteydessä ilmenevää nykäystä.

Ylikuormitussuoja

Jos työkalun kuormitus ylittää sallitun rajan, moottorin tehoa alennetaan, jotta se ei ylikuumentaisi. Kun kuormitus palautuu sallitulle tasolle, työkalun toiminta palaa normaaliiksi.

Mekaaninen jarru

Mallille GA4041C, GA4541C, GA5041C

Mekaaninen jarru aktivoituu, kun työkalun virta katkaistaan.

Jarru ei toimi, jos virtalähteen virta on katkaistu, mutta laitteen virtakytkin on päällä.

KOKOONPANO

⚠️HUOMIO:

- Varmista aina ennen koneelle tehtäviä toimenpiteitä, että kone on sammutettu ja irrotettu pistorasistiasta.

Sivukahvan asentaminen (kahva)

► Kuva5

⚠️HUOMIO:

- Varmista aina ennen käyttöä, että sivukahva on tukevasti paikoillaan.

Kiinnitä sivukahva koneeseen kuvan osoittamalla tavalla.

Laikan suojuksen kiinnittäminen ja irrottaminen (upotetulla navalla varustettu laikka, lamellilaikka, joustava laikka, teräsharjalaikka / hiova katkaisulaikka, timanttilaikka)

⚠️VAROITUS:

- Jos käytössä on upotetulla navalla varustettu hiomalaikka, lamellilaikka, joustava laikka tai teräsharjalaikka, laikan suojuksen kiinnittäminen työkaluun niin, että suojuksen umpinainen puoli tulee aina käyttäjää kohti.
- Varmista hiovaa katkaisulaikkaa / timanttilaikkaa käyttäessäsi, että käytät ainoastaan katkaisulaikkojen kanssa käytettäväksi tarkoitettua erikoislaikan-suojusta. (Joissakin Euroopan maissa voidaan käyttää timanttilaikan kanssa tavallista suojusta. Noudata omassa maassasi voimassa olevia määräyksiä.)

Lukitusruuvi-tyyppisillä laikkasuojuksilla varustetulle työkalulle

► Kuva6: 1. Laikan suojuksen 2. Vaihdekotelo 3. Ruuvi

Kiinnitä laikan suojuksen kiinnityspannan ulokkeet tulevat laakerikotelon lovien kohdalle. Käännä sitten laikan suojusta 180° vastapäivään. Kiristä ruuvit huolellisesti. Irrota laikan suojuksen päinvastaisessa järjestyksessä.

Kiristysruuvi-tyyppisillä laikkasuojuksilla varustetulle työkalulle

► Kuva7: 1. Laikan suojuksen 2. Vaihdekotelo 3. Ruuvi 4. Vipu

Vedä vipua nuolen suuntaan ruuvien löysäämisen jälkeen. Kiinnitä laikan suojuksen kiinnityspannan ulokkeet tulevat laakerikotelon lovien kohdalle. Käännä sitten laikan suojusta 180°.

► Kuva8: 1. Ruuvi 2. Vipu

Vedä vipua nuolen suuntaan ja kiristä laikan suojuksen kiinnittämällä ruuvi. Laikan suojuksen asennuskulma säädetään vivulla.

Irrota laikan suojuksen päinvastaisessa järjestyksessä.

Upotetulla navalla varustetun laikan tai lamellilaikan (lisävaruste) asentaminen

⚠️VAROITUS:

- Jos käytössä on upotetulla navalla varustettu laikka tai lamellilaikka, laikan suojuksen kiinnittäminen työkaluun niin, että suojuksen umpinainen puoli tulee aina käyttäjää kohti.

► Kuva9: 1. Lukkomutteri 2. Keskeltä ohennettu laikka 3. Sisälaippa

Aseta sisälaippa an. Sovita laikka sisälaippaan ja kiinnitä lukkomutteri an.

► Kuva10: 1. Lukkomutteriavain 2. Karalukitus

Kiristä lukkomutteri painamalla lukkoa voimakkaasti niin, ettei se pääse pyörimään, ja kiristä lukkomutteri siten lukkomutteriavaimella myötäpäivään kääntämällä. Laikka irrotetaan päinvastaisessa järjestyksessä.

Superlaikka (lisävaruste)

F-kirjaimella merkityissä malleissa on vakiovarusteena superlaippa. Sen ansiosta lukkomutterin avaamiseen tarvitaan vain 1/3 tavallisen laipan edellyttämästä aukaisuvoimasta.

⚠️HUOMIO:

- Älä käytä superlaippaa mekaanisella jarrulla varustetuissa malleissa. Se voi löystyä, kun jarrua käytetään.

Ezynutin (lisävaruste) kiinnittäminen ja irrottaminen

⚠️HUOMIO:

- Älä käytä Ezynut-mutteria yhdessä superlaipan tai sellaisen kulmahiomakoneen kanssa, jonka mallinumero lopussa on "F". Kyseiset laipat ovat niin paksuja, että karan kierre ei riitä pitämään niitä paikoillaan.

► Kuva11: 1. Ezynut 2. Hiomalaikka 3. Sisälaippa 4. Kara

Kiinnitä sisälaippa, hiomalaikka ja Ezynut karaan niin, että Ezynutin Makita-logo näkyy ulospäin.

► Kuva12: 1. Karalukitus

Paina karalukkoa tiukasti ja kiristä Ezynut kiertämällä hiomalaikkaa myötäpäivään niin pitkälle kuin se menee. Voit löysätä kiinnityksen kiertämällä Ezynutin ulkokehää vastapäivään.

► Kuva13: 1. Nuoli 2. Lovi

► Kuva14

HUOMAA:

- Ezynut voidaan löysätä käsivoimin aina, kun nuoli on loven kohdalla. Muissa tapauksissa avaamiseen tarvitaan sakara-avainta. Sovita yksi avaimen sakara koloon ja kierrä Ezynutia vastapäivään.

Joustolaikan (lisävaruste) kiinnittäminen ja irrottaminen

VAROITUS:

- Käytä aina mukana toimitettua suojusta, kun joustolaikka on kiinni työkalussa. Laikka voi hajota käytössä, joten suojus vähentää vammautumisriskiä.

- **Kuva15:** 1. Lukkomutteri 2. Joustava laikka
3. Muovityyny 4. Sisälaippa

Noudata upotetulla navalla varustettua laikkaa koskevia ohjeita, mutta käytä lisäksi laikan päällä muovityynyä. Katso asennusjärjestys tämän ohjeen lisävarustesivulta.

Hiomalaikan (lisävaruste) kiinnittäminen ja irrottaminen

HUOMAA:

- Käytä vain tässä ohjekirjassa määritettyjä hiomakoneita. Ne on ostettava erikseen.

- **Kuva16:** 1. Lukkomutteri hiontaan 2. Hiomalaikka
3. Kumityyny

Asenna kumityyny karaan. Sovita laikka kumityynyyn ja kiinnitä hiomalaikan lukkomutteri karaan. Kiristä hiomalaikan lukkomutteri painamalla akselilukkoa voimakkaasti niin, ettei kara pääse pyörimään, ja kiristä lukkomutteri sitten kiertämällä lukkomutteriavaimella myötäpäivään.

Irrota laikka päinvastaisessa järjestyksessä.

Pölykannen kiinnittimen asennus ja irrotus (Vaihtoehtoinen lisävaruste)

VAROITUS:

- **Varmista aina ennen pölykannen kiinnittimen asennusta ja irrotusta, että työkalu on sammutettu ja sen virtajohto on irrotettu.** Muuten seurauksena voi olla työkalu vaurioituminen tai vammautuminen.

Pölykannen kiinnittimiä on neljä, ja kutakin tulee käyttää eri asennoissa.

- **Kuva17:** 1. Merkki A 2. Merkki B 3. Merkki C
4. Merkki D

Asenna pölykannen kiinnitin niin, että merkintä (A, B, C tai D) tulee kuvassa näkyvään paikkaan. Napsauta sen kiinnikkeet ilmanvaihtoaukkoihin.

Pölykannen kiinnittimen voi poistaa käsin.

HUOMAA:

- Puhdista pölykannen kiinnitin, kun se on tukkeutunut vierailta aineilla. Työn jatkaminen tukkeutuneella pölykannen kiinnittimellä vahingoittaa työkalua.

TYÖSKENTELY

VAROITUS:

- Älä koskaan pakota konetta. Koneen oma paino riittää. Pakottaminen ja liiallinen painaminen voi aiheuttaa vaarallisen laikan rikkoutumisen.
- Vaihda laikka AINA, jos kone pääsee putoamaan hionnan aikana.
- ÄLÄ KOSKAAN iske tai kolhi laikkaa työkappaleeseen.
- Vältä laikan pomppimista ja jumittumista varsinkin silloin, kun työstät nurkkia, teräviä reunoja ja niin edelleen. Seurauksena voi olla hallinnan menetys ja takapotku.
- ÄLÄ KOSKAAN asenna koneeseen puun leikkaamiseen tarkoitettuja teriä tai muita sahanteeriä. Kulmahiomakoneessa käytettynä nämä terät aiheuttavat lähes poikkeuksetta takapotkun ja hallinnan menetyksen, jolloin seurauksena voi olla henkilövahinkoja.

HUOMIO:

- Älä koskaan käynnistä konetta, kun se koskettaa työkappaleeseen, koska tämä voi aiheuttaa käyttäjälle vammoja.
- Käytä aina suojalaseja tai kasvosuojusta käytön aikana.
- Käytön jälkeen katkaise koneesta aina virta ja odota, kunnes laikka on täysin pysähtynyt ennen kuin lasket koneen käsistä.

Hionta

- **Kuva18**

Ota työkalusta AINA tukeva ote toinen käsi rungossa ja toinen sivukahvassa. Kytke työkaluun ensin virta ja työnnä sitten laikka kiinni työkappaleeseen.

Yleensä laikan reuna kannattaa pitää noin 15 asteen kulmassa työkappaleen pintaan nähden.

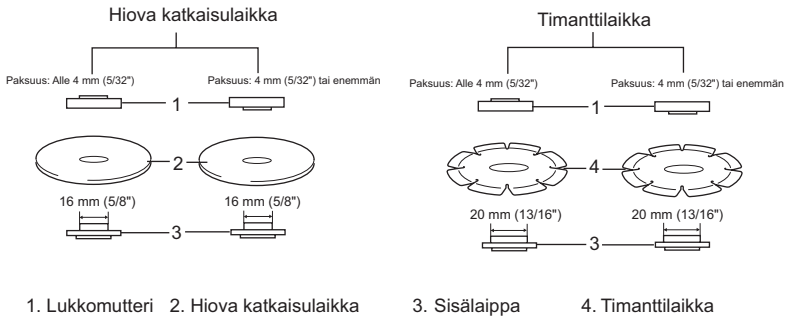
Älä käytä hiomakonetta suuntaan B uuden laikan totutuskäytön aikana, sillä se saa laikan pureutumaan kiinni työkappaleeseen. Sitten kun laikan reuna on käytössä pyörinyt, konetta voidaan käyttää sekä suuntaan A että B.

Hiovan katkaisulaikan/timanttilaikan käyttäminen (lisävaruste)

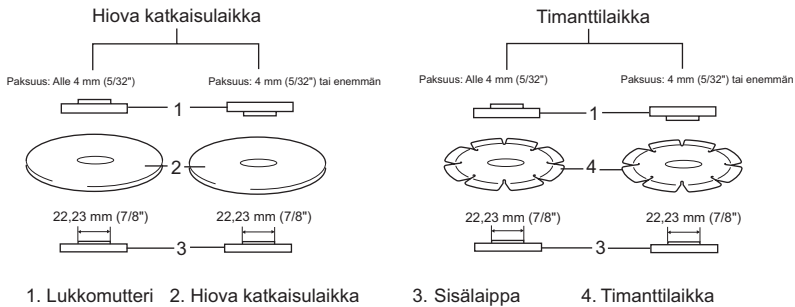
- **Kuva19:** 1. Lukkomutteri 2. Hiova katkaisulaikka / timanttilaikka 3. Sisälaippa 4. Hiovan katkaisulaikan/timanttilaikan suojus

Sisälaipan ja lukkomutterin kiinnityssuunta vaihtelee laikan paksuuden mukaan. Katso lisätietoja oheisesta taulukosta.

100 mm:n (4") malli



115 mm:n (4 - 1/2") / 125 mm:n (5") / 150 mm:n (6") malli



VAROITUS:

- Varmista hiovaa katkaisulaikkaa / timanttilaikkaa käyttäessäsi, että käytät ainoastaan katkaisulaikkojen kanssa käytettäväksi tarkoitettua erikoislaikansuojusta. (Joissakin Euroopan maissa voidaan käyttää timanttilaikan kanssa tavallista suojusta. Noudata omassa maassasi voimassa olevia määräyksiä.)
- ÄLÄ KOSKAAN käytä katkoleikkaa sivun hiontaan.
- Älä "sullo" laikkaa tai sovelia liiallista painetta. Älä yritä tehdä liian syvää leikkausta. Laikan liiallinen painaminen lisää laikan leikkauksen kiinnittymisen ja kierteen lastauksen ja alltiuden, sekä takapotkun, laikan rikkoutumisen ja moottorin ylikuumentumisen mahdollisuutta.
- Älä käynnistä leikkaustoimintaa työkalupaleessa. Anna laikan saavuttaa täysi nopeus ja astu varovasti leikkaukseen, siirtäen työkalua eteenpäin työkalupaleen pinnan yli. Laikka saattaa kiinnittyä, jättää tai takapotkaista, jos työkalu käynnistetään työkalupaleessa.
- Leikkaustoiminnan aikana, älä koskaan vaihda laikan kulmaa. Jos sijoitat katkoleikkaan sivupainetta (kuten hiomisen aikana), se voi aiheuttaa laikan lastuamisen ja katkeamisen, joka voi aiheuttaa henkilövamman.
- Timanttilaikkaa on pidettävä kohtisuorassa leikattavaan materiaaliin nähden.

Teräskuppiharjan käyttäminen (lisävaruste)

HUOMIO:

- Tarkista harjan toiminta käyttämällä työkalua ilman kuormitusta. Varmista, ettei kukaan ole harjan tiellä.
- Älä käytä harjaa, jos se on vaurioitunut tai epätasapainossa. Vaurioituneen harjan käyttäminen voi aiheuttaa loukkaantumisvaaran katkenneiden harjasten takia.

► Kuva20: 1. Teräskuppiharja

Irrota työkalun virtajohto ja aseta työkalu yösalaisiin siteriin, että kara on esillä. Poista karassa mahdollisesti olevat lisävarusteet. Työnnä teräskuppiharja karaan ja kiristä se työkalun mukana toimitettavalla avaimella. Kun käytät harjaa, älä paina sitä liiallisella voimalla. Liiallinen voimankäyttö saattaa taivuttaa harjaksia ja vaurioittaa harjaa.

Teräsharjalaikan käyttäminen (lisävaruste)

HUOMIO:

- Tarkista teräsharjalaikan toiminta käyttämällä työkalua ilman kuormitusta. Varmista, ettei kukaan ole teräsharjalaikan tiellä.
- Älä käytä teräsharjalaikkaa, jos se on vaurioitunut tai epätasapainossa. Vaurioituneen teräsharjalaikan käyttäminen voi aiheuttaa loukkautumisvaaran katkenneiden harjasten takia.
- Käytä teräsharjalaikan kanssa AINA suojusta. Varmista, että laikka mahtuu suojuksen sisäpuolelle. Laikka voi hajota käytössä, joten suojusta vähentää vammautumiseriskiä.

► Kuva21: 1. Teräsharjalaikka

Irrota työkalun virtajohto ja aseta se ylösalaisin siten, että kara on esillä. Poista karassa mahdollisesti olevat lisävarusteet. Kiinnitä teräsharjalaikka karaan ja kiristä se avaimilla.

Kun käytät teräsharjalaikkaa, älä paina sitä liiallisella voimalla, sillä liiallinen voimankäyttö saattaa taivuttaa harjaksia ja vaurioittaa laikkaa.

KUNNOSSAPITO

HUOMIO:

- Varmista aina ennen tarkastuksia ja huoltotöitä, että laite on kone on sammutettu ja irrotettu virtalähteestä.
- Älä koskaan käytä bensiiniä, ohentimia, alkoholia tai tms. aineita. Muutoin pinta voi halkeilla tai sen värit ja muoto voivat muuttua.

► Kuva22: 1. Poistoaukko 2. Ilman tuloaukko

Kone ja sen ilma-aukot on pidettävä puhtaina. Puhdista koneen ilma-aukot säännöllisesti tai aina kun ne alkavat tukkeutua.

Tuotteen TURVALLISUUDEN ja LUOTETTAVUUDEN säilyttämiseksi Makitan valtuutetun huoltokeskuksen tulee suorittaa korjaukset, hiiliharjojen tarkastus ja vaihto, sekä muut huolto- tai säätötööt Makitan varaosia käyttäen.

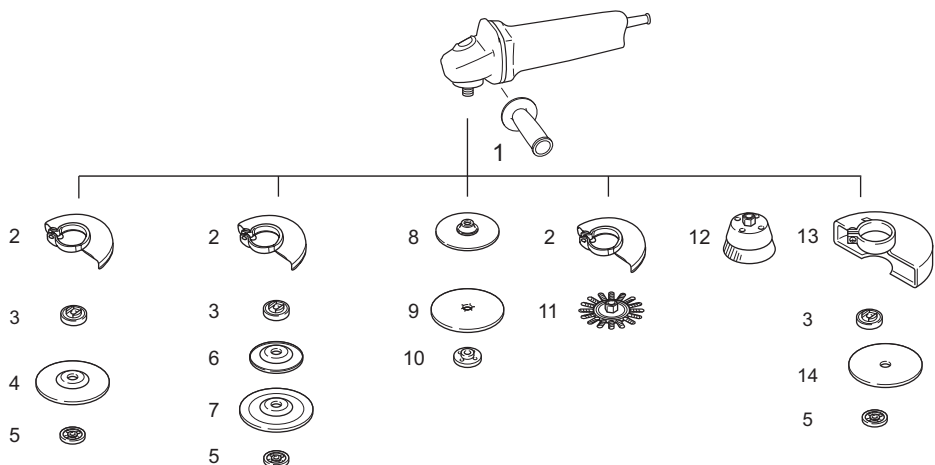
LISÄVARUSTEET

HUOMIO:

- Näitä lisävarusteita ja -laitteita suositellaan käytettäväksi tässä ohjekirjassa mainitun Makitan koneen kanssa. Minkä tahansa muun lisävarusteen tai -laitteen käyttäminen voi aiheuttaa loukkautumisvaaran. Käytä lisävarusteita ja -laitteita vain niiden käyttötarkoituksen mukaisesti.

Jos tarvitset apua tai yksityiskohtaisempia tietoja seuraavista lisävarusteista, ota yhteys paikalliseen Makitan huoltoon.

- Pölysuojusvaruste



	100 mm:n (4") malli	115 mm:n (4-1/2") malli	125 mm:n (5") malli	150 mm:n (6") malli
1	Kahva 36			
2	Laikan suojus (hiomalaikka)			
3	Sisälaippa	Sisälaippa Superlaippa *1	Sisälaippa Superlaippa *1	Sisälaippa Superlaippa *1
4	Upotetulla navalla varustettu laikka/lamelli-laikka			
5	Lukkomutteri	Lukkomutteri Ezynut *2	Lukkomutteri Ezynut *2	Lukkomutteri Ezynut *2
6	Muovityyny	Muovityyny	Muovityyny	-
7	Joustava laikka	Joustava laikka	Joustava laikka	-
8	Kumityyny 76	Kumityyny 100	Kumityyny 115	Kumityyny 125
9	Hiomalaikka			
10	Lukkomutteri hiontaan			
11	Teräsharjalaikka			
12	Teräskuppiharja			
13	Laikan suojus (katkaisulaikka) *3			
14	Hiova katkaisulaikka/timanttilaikka			
-	Lukkomutteri-avain			

Huomautus:

*1 Älä käytä superlaippaa jarrulla varustetussa hiomakoneessa.

*2 Älä käytä superlaippaa ja Ezynutia yhdessä.

*3 Joissakin Euroopan maissa voidaan käyttää timanttilaikan kanssa tavallista suojusta laikan molemmat puolet peittävän erikoissuojuksen sijasta. Noudata omassa maassasi voimassa olevia määräyksiä.

HUOMAA:

- Jotkin luettelossa mainitut varusteet voivat sisältyä työkalun toimitukseen vakiovarusteina. Ne voivat vaihdella maittain.

SPECIFIKĀCIJAS

Modelis	GA4040C	GA4041C	GA4540C	GA4541C	GA5040C / GA5040CN	GA5041C	GA6040C
Ripas diametrs	100 mm (4")		115 mm (4-1/2")		125 mm (5")		150 mm (6")
Maks. ripas biezums	6,4 mm		7,2 mm				6,4 mm
Vārpstas vītne	M10		M14 vai 5/8" (atkarībā no valsts)				
Nominālais ātrums (n) / tukšgaitas ātrums (n ₀)	11 000 min ⁻¹		11 000 min ⁻¹		11 000 min ⁻¹		9 000 min ⁻¹
Kopējais garums	303 mm	325 mm	303 mm	325 mm	303 mm	325 mm	303 mm
Neto svars	2,3 kg	2,6 kg	2,5 kg	2,7 kg	2,5 kg	2,7 kg	2,6 kg
Drošības klase	II/III						

- Dēļ mūsu nepārtrauktās pētniecības un izstrādes programmas, šeit dotās specifikācijas var mainīties bez brīdinājuma.
- Atkarība no valsts specifikācijas var atšķirties.
- Svars atbilstoši EPTA-Procedure 01/2003

Paredzētā lietošana

Šis darbarīks ir paredzēts metāla un akmeņu slīpēšanai, nolīdzināšanai un griešanai bez ūdens izmantošanas.

Strāvas padeve

Darbarīks jāpievieno tikai tādai strāvas padevei, kuras spriegums ir tāds pats, kā norādīts uz plāksnītes ar nosaukumu, un to var ekspluatēt tikai ar vienfāzes maiņstrāvas padevi.

Darbarīks aprīkots ar divkāšo izolāciju, tādēļ to var izmantot arī, pievienojot kontaktligzdai bez iezemējuma vada.

Troksnis

Tipiskais A-svērtais trokšņa līmenis ir noteikts saskaņā ar EN60745:

Modelis GA4040C, GA4540C, GA5040C

Skaņas spiediena līmenis (L_{PA}): 86 dB (A)

Skaņas jaudas līmenis (L_{WA}): 97 dB (A)

Neskaidrība (K): 3 dB (A)

Modelis GA6040C

Skaņas spiediena līmenis (L_{PA}): 87 dB (A)

Skaņas jaudas līmenis (L_{WA}): 98 dB (A)

Neskaidrība (K): 3 dB (A)

Modelis GA4541C

Skaņas spiediena līmenis (L_{PA}): 83 dB (A)

Skaņas jaudas līmenis (L_{WA}): 94 dB (A)

Neskaidrība (K): 3 dB (A)

Modelis GA5041C

Skaņas spiediena līmenis (L_{PA}): 84 dB (A)

Skaņas jaudas līmenis (L_{WA}): 95 dB (A)

Neskaidrība (K): 3 dB (A)

Lietojiet ausu aizsargus

Vibrācija

Vibrācijas kopējā vērtība (trīs asu vektora summa) noteikta saskaņā ar EN60745:

Modelis GA4040C

Darba režīms: virsmas slīpēšana ar parastu sānu rokturi

Vibrācijas emisija (a_{h,AG}): 5,0 m/s²

Neskaidrība (K): 1,5 m/s²

Darba režīms: virsmas slīpēšana ar antivibrācijas sānu rokturi

Vibrācijas emisija (a_{h,AG}): 5,0 m/s²

Neskaidrība (K): 1,5 m/s²

Darba režīms: slīpēšana ar disku ar parastu sānu rokturi

Vibrācijas emisija (a_{h,DS}): 3,0 m/s²

Neskaidrība (K): 1,5 m/s²

Darba režīms: slīpēšana ar disku ar antivibrācijas sānu rokturi

Vibrācijas emisija (a_{h,DS}): 2,5 m/s² vai mazāk

Neskaidrība (K): 1,5 m/s²

Modelis GA4540C

Darba režīms: virsmas slīpēšana ar parastu sānu rokturi

Vibrācijas emisija (a_{h,AG}): 6,0 m/s²

Neskaidrība (K): 1,5 m/s²

Darba režīms: virsmas slīpēšana ar antivibrācijas sānu rokturi

Vibrācijas emisija (a_{h,AG}): 5,5 m/s²

Neskaidrība (K): 1,5 m/s²

Darba režīms: slīpēšana ar disku ar parastu sānu rokturi

Vibrācijas emisija (a_{h,DS}): 2,5 m/s²

Neskaidrība (K): 1,5 m/s²

Darba režīms: slīpēšana ar disku ar antivibrācijas sānu rokturi

Vibrācijas emisija (a_{h,DS}): 2,5 m/s²

Neskaidrība (K): 1,5 m/s²

Modelis GA5040C

Darba režīms: virsmas slīpēšana ar parastu sānu rokturi

Vibrācijas emisija (a_{h,AG}): 6,5 m/s²

Neskaidrība (K): 1,5 m/s²

Darba režīms: virsmas slīpēšana ar antivibrācijas sānu rokturi

Vibrācijas emisija (a_{h,AG}): 5,5 m/s²

Neskaidrība (K): 1,5 m/s²

Darba režīms: slīpēšana ar disku ar parastu sānu rokturi

Vibrācijas emisija (a_{h,DS}): 2,5 m/s²

Neskaidrība (K): 1,5 m/s²

Darba režīms: slīpēšana ar disku ar antivibrācijas sānu rokturi

Vibrācijas emisija (a_{h,DS}): 2,5 m/s²

Neskaidrība (K): 1,5 m/s²

Modelis GA6040C

Darba režīms: virsmas slīpēšana ar parastu sānu rokturi

Vibrācijas emisija (a_{h,AG}): 6,5 m/s²

Neskaidrība (K): 1,5 m/s²

Darba režīms: virsmas slīpēšana ar antivibrācijas sānu rokturi

Vibrācijas emisija ($a_{h,AG}$): 6,0 m/s²

Neskaidrība (K): 1,5 m/s²

Darba režīms: slīpēšana ar disku ar parastu sānu rokturi

Vibrācijas emisija ($a_{h,DS}$): 2,5 m/s²

Neskaidrība (K): 1,5 m/s²

Darba režīms: slīpēšana ar disku ar antivibrācijas sānu rokturi

Vibrācijas emisija ($a_{h,DS}$): 2,5 m/s² vai mazāk

Neskaidrība (K): 1,5 m/s²

Modelis GA4541C

Darba režīms: virsmas slīpēšana ar parastu sānu rokturi

Vibrācijas emisija ($a_{h,AG}$): 6,5 m/s²

Neskaidrība (K): 1,5 m/s²

Darba režīms: virsmas slīpēšana ar antivibrācijas sānu rokturi

Vibrācijas emisija ($a_{h,AG}$): 5,5 m/s²

Neskaidrība (K): 1,5 m/s²

Darba režīms: slīpēšana ar disku ar parastu sānu rokturi

Vibrācijas emisija ($a_{h,DS}$): 2,5 m/s² vai mazāk

Neskaidrība (K): 1,5 m/s²

Darba režīms: slīpēšana ar disku ar antivibrācijas sānu rokturi

Vibrācijas emisija ($a_{h,DS}$): 2,5 m/s² vai mazāk

Neskaidrība (K): 1,5 m/s²

Modelis GA5041C

Darba režīms: virsmas slīpēšana ar parastu sānu rokturi

Vibrācijas emisija ($a_{h,AG}$): 7,0 m/s²

Neskaidrība (K): 1,5 m/s²

Darba režīms: virsmas slīpēšana ar antivibrācijas sānu rokturi

Vibrācijas emisija ($a_{h,AG}$): 6,0 m/s²

Neskaidrība (K): 1,5 m/s²

Darba režīms: slīpēšana ar disku ar parastu sānu rokturi

Vibrācijas emisija ($a_{h,DS}$): 2,5 m/s² vai mazāk

Neskaidrība (K): 1,5 m/s²

Darba režīms: slīpēšana ar disku ar antivibrācijas sānu rokturi

Vibrācijas emisija ($a_{h,DS}$): 2,5 m/s² vai mazāk

Neskaidrība (K): 1,5 m/s²

PIEZĪME: Paziņotā vibrācijas emisijas vērtība noteikta atbilstoši standartā pārbaudes metodei un to var izmantot, lai salīdzinātu vienu darbarīku ar citu.

PIEZĪME: Paziņoto vibrācijas emisijas vērtību arī var izmantot iedarbības sākotnējā novērtējumā.

PIEZĪME: Paziņoto vibrācijas emisijas vērtību izmanto galvenajām mehanizētā darbarīka darbībām. Taču, ja darbarīku izmanto citām darbībām, vibrācijas emisijas vērtība var būt atšķirīga.

BRĪDINĀJUMS: Reāli lietojot mehanizēto darbarīku, vibrācijas emisija var atšķirties no paziņotās emisijas vērtības atkarībā no darbarīka izmantošanas veida.

BRĪDINĀJUMS: Lai aizsargātu lietotāju, nosakiet drošības pasākumus, kas pamatoti ar iedarbību reālos darba apstākļos (ņemot vērā visus ekspluatācijas cikla posmus, piemēram, laiku, kamēr darbarīks ir izslēgts un kad darbojas tukšgaitā, kā arī palaides laiku).

Tikai Eiropas valstīm

EK Atbilstības deklarācija

Makita paziņo, ka šāds instruments(-i):

Instrumenta nosaukums:

Leņķa slīpmašīna

Modeļa Nr./veids: GA4040C, GA4540C, GA5040C, GA6040C, GA4541C, GA5041C

Atbilst sekojošām Eiropas Direktīvām:

2006/42/EC

Ražots saskaņā ar šādu standartu vai normatīvajiem dokumentiem:

EN60745

Tehniskā lieta atbilstīgi 2006/42/EK ir pieejama:

Makita, Jan-Baptist Vinkstraat 2, 3070, Beļģija

1.2.2016

Yasushi Fukaya

Direktors

Makita, Jan-Baptist Vinkstraat 2, 3070, Beļģija

Vispārējie mehanizēto darbarīku drošības brīdinājumi

BRĪDINĀJUMS Izlasiet visus drošības brīdinājumus un visus norādījumus. Brīdinājumu un norādījumu neievērošanas gadījumā var rasties elektriskās strāvas trieciens, ugunsgrēks un/vai nopietnas traumas.

Glābjiēt visus brīdinājumus un norādījumus, lai varētu tajos ieskatīties turpmāk.

Drošības brīdinājumi slīpmašīnas lietošanai

Drošības brīdinājumi, kas vienādi attiecas uz slīpēšanas, smalkās slīpēšanas, tīrīšanas ar stieplu suku vai abrazīvās griešanas darbībām:

1. Šo mehanizēto darbarīku paredzēts izmantot slīpēšanai, smalkai slīpēšanai, tīrīšanai ar stieplu suku vai griešanai. Izlasiet visus drošības brīdinājumus, instrukcijas, apskatiet ilustrācijas un tehniskos datus mehanizētā darbarīka komplektā. Ja netiek ievēroti visi tālāk minētie noteikumi, var tikt izraisīta elektrotrauma, notikt aizdegšanās un/vai rasties smagas traumas.
2. Ar šo mehanizēto darbarīku nav ieteicams veikt tādas darbības kā pulēšana. Tādu darbību veikšana, kam šis mehanizētais darbarīks nav paredzēts, var būt bīstama un radīt traumas.
3. Lietojiet tikai darbarīka ražotāja īpaši izgatavotos un ieteiktos piederumus. Kaut arī piederumu ir iespējams piestiprināt pie mehanizētā darbarīka, tā lietošana nav droša.
4. Piederuma nominālajam ātrumam jābūt vismaz identiskam ar maksimālo ātrumu, kas atzīmēts uz mehanizētā darbarīka. Piederumi, kas griežas ātrāk par nominālo ātrumu, var salūzt un tikt izsviesti.
5. Piederuma ārējam diametram un biežumam jābūt mehanizētā darbarīka jaudas robežās. Nepareiza izmēra piederumus nav iespējams pietiekami uzmanīt vai vadīt.

6. **Piederumu stiprinājuma vītnei jāatbilst slīpmašīnas vārpstas vītnei.** Piederumu, kurus piestiprina aiz atlokiem, ass atverei jāatbilst atloka uzstādīšanas diametram. Piederumi, kas neatbilst mehānizētā darbarīka stiprinājumiem, kļūš nestabili, pārmērīgi vibrēs un var izraisīt vadības zaudēšanu.
7. **Neizmantojiet bojātu piederumu.** Pirms katras lietošanas pārbaudiet, vai piederumus, piemēram, abrazīvajās ripās nav plīsumu, pīšumu, atbalsta plāksne nav saplaisājus, saplēsta vai pārmērīgi nolietota, un stieplju sukā nav vaļiņu vai salūzušu stieplju. Ja mehānizētais darbarīks nokrīt, pārbaudiet, vai nav radušies bojājumi, vai uzstādīt nebojātu piederumu. **Pēc piederuma pārbaudes un uzstādīšanas atkāpieties pats un lieciet visiem klātesošajiem atkāpieties no piederuma rotācijas plaknes, un vienu minūti darbiniet mehānizēto darbarīku bez slodzes ar maksimālo ātrumu.** Bojāti piederumi šādas pārbaudes laikā parasti salūst.
8. **Izmantojiet individuālos aizsarglīdzekļus.** Atkarībā no veicamā darba valkājiet sejas aizsargu, aizsargbrilles vai brilles. Ja nepieciešams, valkājiet putekļu masku, ausu aizsargus, cimdus un darba priekšautu, kas aiztur mazas abrazīvas vai materiāla daļiņas. Acu aizsardzības aprīkojumam jāspēj aizturēt lidojošus grauzus, kas rodas dažādu darbu veikšanas laikā. Putekļu maskai vai respiratoram jāaiztur darba laikā radušās daļiņas. Ilgstoši pakļaujot sevi ļoti intensīvam troksnim, var rasties dzirdes zudums.
9. **Gādājiet, lai apkārtējie atrastos drošā attālumā no darba vietas.** Ikvienam, kas atrodas darba vietā, jāizmanto individuālie aizsarglīdzekļi. Apstrādājamā materiāla vai bojāta piederuma daļiņas var tikt izsviestas un traumēt cilvēkus darba vietas tuvumā.
10. **Mehānizēto darbarīku turiet tikai aiz izolētajām satveršanas virsmām, ja veicat darbus, kuru laikā griešanas piederums varētu saskarties ar aplēptu elektroinstalāciju vai pašas ierīces barošanas kabeli.** Griešanas piederumam saskaroties ar kabeli zem sprieguma, mehānizētā darbarīka metāla daļas var vadīt spriegumu un radīt operatoram elektrotraumu.
11. **Kabeli novietojiet tā, lai tas nepieskartos rotējošajam piederumam.** Ja zaudēsīt vadību, kabelis var tikt pārgriezts vai iekerties, bet jūsu roka var tikt ierauta rotējošajā piederumā.
12. **Nekādā gadījumā nenolieciet mehānizēto darbarīku, pirms tas nav pilnībā apstājies.** Rotējošais piederums var aizkert virsmu un izraut mehānizēto darbarīku jums no rokām.
13. **Nedarbiniet mehānizēto darbarīku, to pārnēsājot.** Ja apgērbis nejausi pieskaras rotējošajam piederumam, tas var tikt satverts, iespējot piederumu miesā.
14. **Regulāri tīriet mehānizētā darbarīka ventilācijas atveres.** Motora ventilators ievēl putekļu korpusā un pārmērīga sīku metāla daļiņu uzkrāšanās var izraisīt elektrosistēmas bojājumus.
15. **Mehānizēto darbarīku nedrīkst darbināt ugunsnedrošu materiālu tuvumā.** Dzirksteles var aizdedzināt šos materiālus.
16. **Nelietojiet tādus piederumus, kam vajadzīgi dzesēšanas šķidrums.** Lietojot ūdeni vai citus dzesēšanas šķidrums, var gūt nāvējošu elektrotraumu vai elektriskās strāvas triecienu.

Atsitiens un ar to saistīti brīdinājumi

Atsitiens ir pēkšņa reakcija uz rotējošās ripas iespīšanu vai aizķeršanos, balsta paliktņi, suku vai kādu citu piederumu. Iespīšana vai aizķeršanās izraisa pēkšņu rotējošā piederuma apstāšanos, kas savukārt saskares brīdī izraisa nevadāmu mehānizētā darbarīka grūdienu pretēji tā rotācijas virzienam.

Ja abrazīvā slīpriņa, piemēram, aizķeras vai iespīst apstrādājamā materiālā, slīpriņas mala, kas nokļūst iespīšanas vietā, var iespīsties materiāla virsmā, liekot slīpriņai izvīzīties vai atlēkt. Slīpriņa saskares brīdī var izlēkt operatora virzienā vai prom no viņa, atkarībā no slīpriņas kustības virziena. Šādos gadījumos abrazīvās slīpriņas var arī salūzt. Atsitiens rodas darbarīka nepareizas lietošanas un/vai nepareizas darbības vai apstākļu rezultātā, un no tā var izvairīties, veicot piemērotus drošības pasākumus, kā norādīts tālāk.

1. **Saglabājiet ciešu darbarīka tvērienu un novietojiet ķermeni un rokas tā, lai pretotos atsitienu spēkam.** Lai maksimāli kontrolētu atsitienu (iedarbināšanas laikā) vai griezes momentu, vienmēr lietojiet palīgrokturi, ja tāds ir. Operators var savaldīt griezes momenta reakciju vai atsitienu spēku, ja veic atbilstošus piesardzības pasākumus.
2. **Nekad nenovietojiet roku rotējošā piederuma tuvumā.** Piederums var radīt atsitienu, trāpot rokas.
3. **Neviens jūsu ķermeņa daļa nedrīkst atrasties ceļā, kur atsitienu gadījumā pārvietosies mehānizētais darbarīks.** Atsitiens iekēršanās gadījumā grūdiens darbarīku no iekēršanās vietas slīpriņas kustībai pretējā virzienā.
4. **Īpaši uzmanieties, apstrādājot stūrus, asas malas u.c. Nepieļaujiet piederuma atlēkšanu un aizķeršanos.** Stūri, asas malas vai atlēkšana parasti izraisa rotējošā piederuma aizķeršanos un var radīt kontroles zaudēšanu vai atsitienu.
5. **Nepievienojiet ķēdes zāģa kokgriezumam asmeni vai zobaino zāģa asmeni.** Šādi asmeņi izraisa biežus atsitienu un vadības zaudēšanu.

Drošības brīdinājumi tieši slīpēšanas un abrazīvas griešanas darbībām:

1. **Izmantojiet tikai savam mehānizētajam darbarīkam ieteicamos ripu veidus un īpašos aizsargus, kas paredzēti izvēlētajai ripai.** Ripas, kam mehānizētais darbarīks nav paredzēts, nevar pienācīgi aizsargāt, tāpēc tās nav drošas.
2. **Ripas ar ieliektu centru slīpēšanas virsmā jāatrodas zemāk par aizsargatloka malu.** Nepareizi piestiprinātā ripa, kas izvīzās no aizsargatloka malas plaknes, nav pietiekami aizsargājama.
3. **Aizsargam jābūt stingri piestiprinātam pie mehānizētā darbarīka un novietotam maksimāli drošībai, lai operatora virzienā ir atsegta mazākā ripas daļa.** Aizsargs palīdz aizsargāt operatoru no salūzušās ripas daļām un nejaušas saskares ar slīpriņu un dzirkstelēm, kas var aizdedzināt apgērbu.
4. **Slīpriņas jāizmanto tikai tām ieteicamajiem darbiem.** Piemēram: neslīpējiet ar griešanas ripas malu. Abrazīvas griešanas ripas paredzētas perifēriai slīpēšanai, tāpēc, ja uz šīm ripām iedarbojas sānu spēks, tās var salūzt.
5. **Vienmēr izmantojiet nebojātus, izvēlētajai ripai atbilstošā izmēra un formas ripas atlokus.** Atbilstoši slīpriņas atloki balsta slīpriņu, tādējādi samazinot tās salūšanas iespēju. Nogriešanas ripu atloki var atšķirties no slīpēšanai paredzēto ripu atlokiem.

6. **Neizmantojiet nodilušas lielāku mehanizēto darbarīku ripas.** Lielākiem mehanizētajiem darbarīkiem paredzētās ripas nav piemērotas mazāka darbarīka lielākajam ātrumam, tās var sabrukt.

Papildu drošības brīdinājumi tieši abrazīvās griešanas darbībām:

1. **Nelaujiet griezējripi iespriest, neizmantojiet pārmērīgu spiedienu. Negrieziet pārāk dziļi.** Ripas pārslogošana palielina slodzi, ripas šasķiešanās vai iekēršanās griezumā, atsitiena vai slīpripas salūšanas iespējamību.
2. **Nenostāties vienā līnijā ar rotējošo ripu un aiz tās.** Kad darba laikā ripas pārvietojas virzienā prom no jūsu ķermeņa, iespējama atsitiena var grūst rotējošo ripu un mehanizēto darbarīku tieši jūsu virzienā.
3. **Kad darba vietā ripas pārvietojas virzienā prom no operatora ķermeņa, iespējams atsitiens rotējošo ripu un mehanizēto darbarīku var grūst tieši operatora virzienā. Nekādā gadījumā nemēģiniet izņemt griezējripi no griezuma, kad ripa vēl griežas, lai netiktu izraisīts atsitiens.** Pārbaudiet un veiciet attiecīgus pasākumus, lai novērstu ripas iekēršanās cēloņus.
4. **Neatsāciet griešanu, darbarīkam atrodoties apstrādājamā materiālā. Ļaujiet ripai sasniegt pilnu ātrumu un tad uzmanīgi atkal ievietojiet to griezumā.** Slīpripa var iekērties, izvīzīties augšup vai atļēkt, ja mehanizētais darbarīks tiek atkal iedarbināts, atrodoties apstrādājamajā virsmā.
5. **Atbalstiet paneļus un visus lielos apstrādājamos materiālus, lai samazinātu slīpripas iesprūšanas un atsitiena bīstamību.** Lielī apstrādājamie materiāli bieži vien ieliecās sava svara dēļ. Balsti jānovieto abās slīpripas pusēs zem apstrādājamās virsmas, griezuma līnijas tuvumā un tuvu apstrādājamās virsmas malai.
6. **Esiet īpaši uzmanīgs, veicot „nišas griezumus” jau esošajās sienās vai citās aizsegtās vietās.** Caururbīdāmajā slīpripa var pārgriezt gāzes vai ūdens caurules, elektrības vadus vai priekšmetus, kas var izraisīt atsitieni.

Drošības brīdinājumi tieši smalkajai slīpēšanai:

1. **Neizmantojiet pārāk lielu slīpēšanas ripas papīru.** Izvēloties smilšpapīru smalkajai apstrādei, ievērojiet ražotāja ieteikumus. Par slīpēšanas pamatni lielāks smilšpapīrs rada plīsuma briesmas, jo ripa var iekērties, plīst vai izraisīt atsitieni.

Drošības brīdinājumi apstrādei ar stieplu suku:

1. **Nemiet vērā, ka stieplu sari tiek izsviesti no sukas pat parastas darbības laikā.** Nepārslogojiet stieples, pieliekot sukai pārmērīgu spēku. Stieplu sari var ātri caursist vieglus audumus un/vai ādu.
2. **Ja apstrādei ar stieplu suku ieteikts izmantot aizsargu, nepieļaujiet stieplu ripas vai sukas saskari ar aizsargu.** Darba slodzes un centrālās spēku iedarbībā stieplu ripai vai sukai var palielināties diametrs.

Papildu drošības brīdinājumi:

1. **Lietojot slīpripas ar ieliektu jeb iedziļinātu centru, noteikti izmantojiet tikai slīpripas ar stikla šķiedras armatūru.**

2. **Šai slīpmašīnai NEKAD NEUZSTĀDIET kausveida akmens ripu.** Šī slīpmašīna nav paredzēta šāda veida ripām, un to izmantošana var radīt smagas traumas.
3. **Uzmanieties, lai nesabojātu vārpstu, atloku (it īpaši uzstādīšanas virsmu) un kontruzgriezni.** Šo uzstāj bojājums var izraisīt ripas salūšanu.
4. **Pārļiecinieties, ka slīpripa nepieskaras apstrādājamajai virsmai pirms slēdža ieslēgšanas.**
5. **Pirms lietot darbarīku materiālā apstrādei, īslaicīgi darbiniet to bez slodzes.** Pievērsiet uzmanību tam, vai nav novērojama vibrācija vai vārstības, kas var norādīt uz nekvalitatīvu uzstādīšanu vai nepareizi līdzsvarotu slīpripu.
6. **Lai slīpētu, izmantojiet tam paredzēto slīpripas virsmu.**
7. **Neatsāciet darbarīku ieslēgtu.** Darbiniet darbarīku vienīgi tad, ja turat to rokās.
8. **Neskarieties pie apstrādājamās detaļas tūlīt pēc darba izpildes; tā var būt ārkārtīgi karsta un apdedzināt ādu.**
9. **Ievērojiet ražotāja norādījumus slīpripu pareizai montāžai un lietošanai.** Rīkojieties ar slīpripām uzmanīgi un uzglabājiet tās rūpīgi.
10. **Neizmantojiet atsevišķus samazinošus ieliktņus vai pārējas, lai pielāgotu abrazīvās slīpripas ar liela diametra atveri.**
11. **Izmantojiet tikai šim darbarīkam paredzētus atlokus.**
12. **Darbarīkiem, kuri paredzēti lietošanai ar vītņotu slīpripu, pārļiecinieties, ka slīpripas vītņnes garums atbilst vārpstas garumam.**
13. **Pārbaudiet, vai apstrādājamā detaļa ir pienācīgi atbalstīta.**
14. **Nemiet vērā, ka slīpripa turpina griezties arī pēc darbarīka izslēgšanas.**
15. **Ja darba vietā ir ārkārtīgi augsta temperatūra un liels mitrums, vai tā ir stipri piesārņota ar vadītspējīgiem putekļiem, izmantojiet īssavienojuma pārtraucēju (30 mA), lai garantētu operatora drošību.**
16. **Neizmantojiet darbarīku tādu materiālu apstrādei, kas satur azbestu.**
17. **Lietojot griezējripias, vienmēr izmantojiet ripas aizsargu ar putekļu savācēju, ko prasa vietēja likumdošana.**
18. **Griešanas ripas nedrīkst pakļaut jebkādam sānu spiedienam.**
19. **Strādājot nelietojiet auduma darba cimdus.** Šķiedras no auduma cimdiem var iekļūt darbarīkā, izraisot darbarīka bojājumus.

SAGLABĀJIET ŠOS NORĀDĪJUMUS.

▲BRĪDINĀJUMS: NEPIEĻAUJIET to, ka labu iemaņu vai izstrādājuma labas pārziņāšanas (darbarīku atkārtoti ekspluatējot) rezultātā vairs stingri ievērojot šī izstrādājuma drošības noteikumus. NEPAREIZI LIETOJOT darbarīku vai neievērojot šajā instrukcijā rokasgrāmatā minētos drošības noteikumus, var tikt gūtas smagas traumas.

FUNKCIJU APRAKSTS

⚠UZMANĪBU:

- Pirms regulējat vai pārbaudāt instrumenta darbību, vienmēr pārlicinieties, vai instruments ir izslēgts un atvienots no barošanas.

Vārpstas bloķētājs

► **Att.1:** 1. Vārpstas bloķētājs

⚠UZMANĪBU:

- Nekad neieslēdziet vārpstas bloķētāju kamēr vārpsta griežas. Tas var sabojāt darbarīku.

Nospiediet vārpstas bloķētāju, lai novērstu vārpstas rotāciju piederumu uzstādīšanas vai noņemšanas laikā.

Slēdža darbība

► **Att.2:** 1. Slīdslēdzis

⚠UZMANĪBU:

- Pirms darbarīka pievienošanas elektrotīklam vienmēr pārbaudiet, vai slīdslēdzis darbojas pareizi un pārslēdzas atpakaļ stāvoklī „OFF” (izslēgts), nospiežot slīdslēdža aizmugurējo daļu.
- Slēdzi var fiksēt stāvoklī „ON” (ieslēgts), lai atvieglotu operātoru darbu, strādājot ilgstoši. Esiet uzmanīgs, fiksējot darbarīka slēdzi stāvoklī „ON” (ieslēgts); stingri turiet darbarīku.

Modelim GA4040C, GA4041C, GA4540C, GA4541C, GA5040C, GA5041C, GA6040C

Lai ieslēgtu darbarīku, pārvietojiet slīdslēdzi stāvoklī I („ON”; ieslēgts), nospiežot slīdslēdža aizmugurējo daļu. Lai darbarīks darbotos nepārtraukti, nospiediet slīdslēdža priekšējo daļu, lai to bloķētu.

Lai apturētu darbarīku, nospiediet slīdslēdža aizmugurējo daļu un pārvietojiet to stāvoklī O („OFF”; izslēgts).

Modelim GA5040CN

Lai ieslēgtu darbarīku, pārbīdiet slīdslēdzi stāvoklī I („ON”; ieslēgts).

Lai apturētu darbarīku, pārbīdiet slīdslēdzi stāvoklī O („OFF”; izslēgts).

Gaismas indikators

► **Att.3:** 1. Indikatora lampiņa (ātruma regulēšanas skala)

Zaļās krāsas gaismas indikators iedegas, kad darbarīks tiek pievienots barošanas avotam. Ja indikators neiedegas, var būt bojāts barošanas kabelis vai vadības ierīce. Indikators deg, taču darbarīks nesāk darboties pat tad, ja tas ir ieslēgts; var būt nolietojušās ogleš sukas, vai arī var būt bojāta vadības ierīce, motors vai slēdzis „ON/OFF” (ieslēgts/izslēgts).

Aizsardzība pret nejašu ieslēgšanos

Darbarīks neieslēdzas, piespiežot slēdzi pat tad, ja darbarīks pievienots elektroapgādei.

Šajā laikā indikators mirgo sarkanā krāsā, norādot, ka darbojas nodrošinājums pret nejašu darbības atsākšanu. Lai atceltu nejausas ieslēgšanās nepieļaušanas režīmu, pārbīdiet slīdslēdzi stāvoklī O („OFF”; izslēgts).

Ātruma regulēšanas skala

► **Att.4:** 1. Ātruma regulēšanas skala

Lai izmainītu griešanās ātrumu, regulēšanas ciparrīpa ir jāuzstāda vienā no stāvokļiem, kuri ir apzīmēti ar cipariem no 1 līdz 5.

Lai palielinātu ātrumu, ciparrīpa ir jāpagriež cipara 5 virzienā. Lai samazinātu ātrumu, tā ir jāpagriež cipara 1 virzienā.

Saistību starp cipara iestatījumu uz ciparrīpas un aptuveno instrumenta griešanās ātrumu skatiet šai tabulā.

Modelim GA4040C, GA4540C, GA5040C, GA5040CN, GA4041C, GA4541C, GA5041C

Cipars	min ⁻¹ (apgriezieni minūtē)
1	2 800
2	4 000
3	6 000
4	8 000
5	11 000

Modelim GA6040C

Cipars	min ⁻¹ (apgriezieni minūtē)
1	4 000
2	5 000
3	6 000
4	7 000
5	9 000

⚠UZMANĪBU:

- Ja instruments ilgstoši darbojas ar nelielu ātrumu, motors tiks pārslēgts uz sakarsis.
- Ātruma regulēšanas skala var tikt griezta tikai no 1 līdz 5. Nemēģiniet ar spēku to pagriezt tālāk, tā varat sabojāt instrumentu.

Elektroniskā vadība

Ar elektronisko funkciju aprīkoti instrumenti ir viegli lietojami, jo tiem ir šādas īpašības.

Konstanta ātruma vadība.

Nemainīga ātruma kontrole nodrošina lielisku darba rezultātu, jo rotācijas ātrums saglabājas vienmērīgs pat slodzes apstākļos.

Maigās palaišanas funkcija

Pakāpeniskas uzsākšanas funkcija slāpē iedarbināšanas triecienus.

Pārslodzes aizsardzības ierīce

Kad slodze darbarīkam pārsniedz pieļaujamās robežas, dzinēja jauda tiek samazināta, lai aizsargātu dzinēju no pārkaršanas. Kad slodze atgriežas pieļaujamajā līmenī, darbarīks atsāk darboties kā parasti.

Mehāniskā bremze

Modelim GA4041C, GA4541C, GA5041C

Mehāniskā bremze tiek aktivizēta pēc darbarīka izslēgšanas.

Bremze nedarbojas, ja slēdzis ir ieslēgts, bet ir izslēgta strāvas padeve.

MONTĀŽA

⚠UZMANĪBU:

- Vienmēr pārliecinieties, vai instruments ir izslēgts un atvienots no barošanas, pirms veicat jebkādas darbības ar instrumentu.

Sānu roktura uzstādīšana (rokturis)

▶ Att.5

⚠UZMANĪBU:

- Vienmēr pirms darbarīka izmantošanas pārliecinieties, ka sānu rokturis ir droši uzstādīts.

Stingri pieskrūvējiet sānu rokturi pie darbarīka, kā parādīts zīmējumā.

Slīpripas aizsarga uzstādīšana vai noņemšana (slīpripa ar ieliektu centru, plākšņu disks, lokanā ripa, stieplu sukās ripa/ abrazīva atgrīšanas ripa, dimanta ripa)

⚠BRĪDINĀJUMS:

- Slīpripas ar ieliektu centru, plākšņu diska, lokanās ripas vai stieplu sukās ripas izmantošanas gadījumā slīpripas aizsargs ir jāuzstāda uz darbarīka tā, lai aizsarga slēgtā daļa vienmēr būtu vērsta operatora virzienā.
- Izmantojot abrazīvu atgrīšanas/ dimanta ripu, lietojiet tikai īpašu ripas aizsargierīci, kas paredzēta atgrīšanas ripām. (Dažās Eiropas valstīs, izmantojot dimanta ripu, var lietot parasto aizsargu. Ievērojiet savas valsts noteikumus.)

Darbarīkam ar atdures skrūves tipa slīpripas aizsargu

▶ Att.6: 1. Slīpripas aizsargs 2. Gultņa ieliktnis 3. Skrūve

Uzstādiet slīpripas aizsargu tā, lai uz tā malas esošie izciļņi sakristu ar gultņa ieliktna ierobiem. Tad pagrieziet slīpripas aizsargu par 180° pretēji pulksteņrādītāja virzienam. Pārliecinieties, vai skrūve ir cieši pieskrūvēta. Lai noņemtu slīpripas aizsargu, izpildiet augstāk aprakstīto uzstādīšanas procedūru apgrieztā secībā.

Darbarīkam ar spīlējuma sviras tipa slīpripas aizsargu

▶ Att.7: 1. Slīpripas aizsargs 2. Gultņa ieliktnis 3. Skrūve 4. Svira

Kad skrūve ir atskrūvēta, pavelciet sviru bultiņas virzienā. Uzstādiet slīpripas aizsargu tā, lai uz tā malas esošie izciļņi sakristu ar gultņa ieliktna ierobiem. Tad pagrieziet slīpripas aizsargu par 180°.

▶ Att.8: 1. Skrūve 2. Svira

Piestipriniet slīpripas aizsargu, pieskrūvējot skrūvi pēc sviras pavilkšanas bultiņas virzienā. Slīpripas aizsarga uzstādīto leņķi var regulēt ar sviru.

Lai noņemtu slīpripas aizsargu, izpildiet augstāk aprakstīto uzstādīšanas procedūru apgrieztā secībā.

Slīpripas ar ieliektu centru vai plākšņu diska (papildpiederums) uzstādīšana un noņemšana

⚠BRĪDINĀJUMS:

- Slīpripas ar ieliektu centru vai plākšņu diska izmantošanas gadījumā slīpripas aizsargs ir jāuzstāda uz darbarīka tā, lai aizsarga slēgtā daļa vienmēr būtu vērsta operatora virzienā.

▶ Att.9: 1. Kontruzgrieznis 2. Slīpripa ar ieliektu centru 3. Iekšējais atloks

Uzstādiet uz vārpstas iekšējo atloku. Novietojiet slīpripu virs iekšējā atloka un pieskrūvējiet kontruzgriezni uz vārpstas.

▶ Att.10: 1. Kontruzgriežņa atslēga 2. Vārpstas bloķētājs

Lai pievilktu kontruzgriezni, stingri nospiediet vārpstas bloķētāju, lai vārpsta nevarētu griezties, pēc tam ar kontruzgriežņa atslēgas palīdzību labi pievelciet to pulksteņrādītāja virzienā.

Lai noņemtu slīpripu, izpildiet augstāk aprakstīto uzstādīšanas procedūru apgrieztā secībā.

Virsatloks (papildpiederums)

Modeļiem ar burtu F standarta aprīkojumā ir virsatloks. Lai atskrūvētu kontruzgriezni, vajag tikai 1/3 tā darba, kāds vajadzīgs, skrūvējot parastā veidā.

⚠UZMANĪBU:

- Neizmantojiet virsatloku modeļiem, kas aprīkoti ar mehānisko bremzi. Citādi tas var atskrūvēties, kad tiek ieslēgta bremze.

Ezynut (papildpiederums) uzstādīšana vai noņemšana

⚠UZMANĪBU:

- Neizmantojiet Ezynut ar virsatloku vai leņķa slīpmašīnu, kurai modeļa numura beigās ir burts „F”. Šādi atloki ir ļoti biezi, un vārpsta nevar noturēt visu vītņi.

▶ Att.11: 1. Ezynut 2. Abrazīva ripa 3. Iekšējais atloks 4. Vārpsta

Uzstādiet iekšējo atloku, abrazīvu ripu un Ezynut uz vārpstas tādā veidā, lai Makita logotips uz Ezynut atrodas ārpusē.

▶ Att.12: 1. Vārpstas bloķētājs

Cieši piespiediet vārpstas bloķētāju un pieskrūvējiet Ezynut, griežot abrazīvo ripu pulksteņrādītāja virzienā, cik tālu iespējams pagriezt.

Grieziet ārējo gredzenu Ezynut pretēji pulksteņrādītāja virzienam, lai to atskrūvētu.

▶ Att.13: 1. Bultiņa 2. Ierobs

▶ Att.14

PIEZĪME:

- Ezynut var atskrūvēt ar roku, ja bulta atrodas pret ierobu. Pretējā gadījumā atskrūvēšanai nepieciešama kontruzgriežņa uzgriežņatslēga. Ievietojiet vienu uzgriežņatslēgas tapu atverē un pagrieziet Ezynut pretēji pulksteņrādītāja virzienam.

Lokanās ripas (papildpiederums) uzstādīšana un noņemšana**⚠BRĪDINĀJUMS:**

- Ja darbarīkam izmantojat lokano ripu, vienmēr lietojiet komplektā esošo aizsargu. Lietošanas laikā ripa var sadrupt un aizsargs palīdz samazināt ievainojumu gūšanas risku.

- **Att.15:** 1. Kontruzgriežnis 2. Lokanā ripa 3. Plastmasas paliktņns 4. Iekšējais atloks

Ievērojiet norādījumus, kas attiecas uz slīpripu ar ieliektu centru, kā arī vīrs ripas izmantojiet plastmasas paliktņni. Skatiet daļu pasūtīšanu šīs rokasgrāmatas lappusē ar piederumu sarakstu.

Abrāzīvās ripas (papildpiederums) uzstādīšana vai noņemšana**PIEZĪME:**

- Izmantojiet slīpmašīnas piederumus, kādi norādīti šajā rokasgrāmatā. Tos jāiegādājas atsevišķi.

- **Att.16:** 1. Slīpēšanas kontruzgriežnis 2. Abrāzīva ripa 3. Gumijas starplika

Uzmontējiet gumijas starpliku uz vārpstas. Uzstādiet ripu uz gumijas starplikas un uzskrūvējiet pulēšanas kontruzgriežni uz vārpstas. Lai pieskrūvētu pulēšanas kontruzgriežni, stingri piespiediet ass aizslēgu tā, lai vārpsta nevar griezties, tad, izmantojot kontruzgriežņa uzgriežņatslēgu, cieši pievelciet pulksteņa rādītāja virzienā.

Lai noņemtu ripu, izpildiet iepriekš aprakstīto uzstādīšanas procedūru apgrieztā secībā.

Putekļu aizsarga (piederums) uzstādīšana vai noņemšana**⚠BRĪDINĀJUMS:**

- **Pirms putekļu aizsarga uzstādīšanas vai noņemšanas vienmēr pārbaudiet, vai darbarīks ir izslēgts un atvienots no strāvas.** To neievērojot var sabojāt darbarīku vai radīt ievainojumus.

Pieejami četri putekļu aizsargi, un katru no tiem izmanto atšķirīgos stāvokļos.

- **Att.17:** 1. A zīme 2. B zīme 3. C zīme 4. D zīme

Uzstādiet putekļu aizsargu tā, lai marķējums (A, B, C vai D) ir novietots, kā parādīts attēlā. Ievietojiet tapas atverēs.

Putekļu aizsargu iespējams noņemt ar rokām.

PIEZĪME:

- Izlīriet putekļu aizsargu, kad tas ir aizsērējis ar neīfrumiem vai svešķermeņiem. Ja turpināsiet darbu ar aizsērējušu putekļu aizsargu, sabojāsiet darbarīku.

EKSPLUATĀCIJA**⚠BRĪDINĀJUMS:**

- Strādājot ar darbarīku nekad nepielietojiet pārmērīgu spēku. Darbarīka svars rada pietiekošu spiedienu. Pārmērīgs spēks vai spiediens uz darbarīka var izraisīt ripas sagrūšanu, kas ir ļoti bīstami.
- VIENMĒR mainiet ripu, ja slīpēšanas laikā darbarīks nokrita.
- NEKAD nesītiēt slīpripu pret apstrādājamo virsmu.
- Izvairieties no ripas lēkāšanas un sadursmes ar šķēršļiem, it īpaši stūru, asu malu utt. apstrādes laikā. Tas var izraisīt kontroles zaudēšanu un atsitieni.
- NEKAD neizmantojiet darbarīku ar koku zāgēšanas asmeņiem un citiem zāgu asmeņiem. Ja šādi asmeņi tiek izmantoti slīpmašīnai, tie bieži rada triecienu, kā rezultātā var tikt zaudēta kontrole pār instrumentu un var tikt iegūti savainojumi.

⚠UZMANĪBU:

- Nekad neieslēdziet darbarīku, kamēr tas pieskaņas apstrādājamai virsmai, jo tas var novest pie traumas gūšanas.
- Darba laikā vienmēr lietojiet aizsargbrilles vai sejas aizsargmasku.
- Pēc darba pabeigšanas vienmēr slēdziet darbarīku ārā un uzgaidiet, kamēr ripa pilnīgi apstāsies pirms nolieciet darbarīku.

Slīpēšana un nolīdzināšana**► Att.18**

VIENMĒR stingri turiet darbarīku ar vienu roku aiz korpusa un ar otru aiz sānu roktura. Ieslēdziet darbarīku un sāciet apstrādāt detaļu ar slīpripas vai diska palīdzību. Turiet slīpripas vai diska malu apmēram 15° leņķī pret apstrādājamo virsmu.

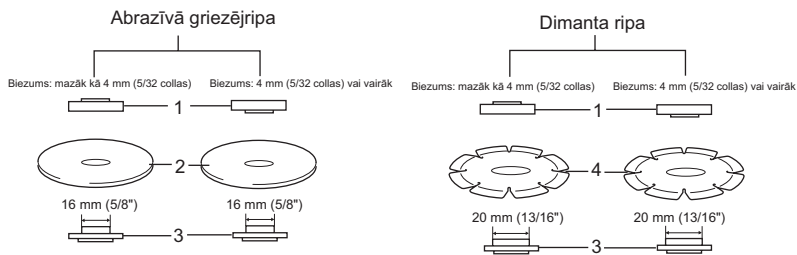
Uzsākot darbu ar jaunu slīpripu, nestrādājiet ar slīpmašīnu B virzienā, citādi tā var ieurbties apstrādājamajā virsmā. Kad slīpripas mala lietošanas gaitā ir noapaļota, slīpripu var izmantot darbam abos – A un B – virzienos.

Darbība ar abrazīvu atgriešanas/ dimanta ripu (papildpiederums)

- **Att.19:** 1. Kontruzgriežnis 2. Abrāzīva atgriešanas ripa / dimanta ripa 3. Iekšējais atloks 4. Ripas aizsargierīce abrazīvai atgriešanas ripai / dimanta ripai

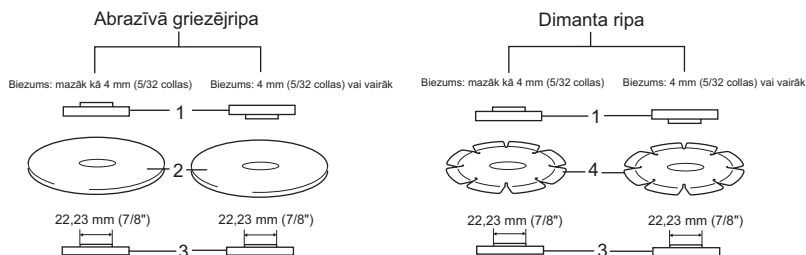
Kontruzgriežņa un iekšējā atloka uzstādīšanas virziens ir atšķirīgs atkarībā no ripas biezuma. Skatiet tabulu turpmāk.

100 mm (4") modelis



1. Kontruzgrieztnis 2. Abrazīvā griezējripa 3. Iekšējais atloks 4. Dimanta ripa

115 mm (4-1/2") / 125 mm (5") / 150 mm (6") modelis



1. Kontruzgrieztnis 2. Abrazīvā griezējripa 3. Iekšējais atloks 4. Dimanta ripa

⚠️ BRĪDINĀJUMS:

- Izmantojot abrazīvu atgriešanas/ dimanta ripu, lietojiet tikai īpašu ripas aizsargierīci, kas paredzēta atgriešanas ripām. (Dažās Eiropas valstīs, izmantojot dimanta ripu, var lietot parasto aizsargu. Ievērojiet savas valsts noteikumus.)
- NEKAD NELIETOJIET griezējripu sānu slīpēšanai.
- Neieķīļējiet ripu un nepielietojiet pārmērīgu spiedienu. Nemēģiniet veikt pārmērīga dziļuma griezumus. Ripas pārspriegošana palielina slodzi un uzņemtību pret ripas savērpšanos vai aizķeršanos griezumā, kā arī atsitiena, ripas salūšanas un dzinēja pārkarsēšanas iespējamību.
- Nesāciet griešanas darbību, darbarīkam atrodoties apstrādājamajā virsmā. Ļaujiet ripai sasniegt pilnu ātrumu un uzmanīgi ievietojiet to griezumā, virzot darbarīku uz priekšu pāri apstrādājamā materiāla virsmai. Ripa var aizķerties, izvirzīties augšup vai veikt atsitieni, ja mehānizētais darbarīks tiek iedarbināts, kamēr tā atrodas apstrādājamajā virsmā.
- Nekad nemainiet slīpripas leņķi frēzēšanas laikā. Veicot sānu spiedienu uz griezējripu (kā, piemēram, slīpējot), ripa var saplaisāt un salūzt, radot nopietnus ievainojumus.
- Dimanta ripa jālieto perpendikulāri griežamajam materiālam.

Ekspluatācija ar bļodveida stieplu suku (papildpiederums)

⚠️ UZMANĪBU:

- Pārbaudiet suku darbību, iedarbinot darbarīku bez slodzes un nodrošinot, lai suku priekšā vai sānos neviens neatrastos.
- Neizmantojiet suku, kas ir bojāta vai nav balansēta. Bojātas suku izmantošana var palielināt ievainojumu, ko rada salauztas suku stieples, iespēju.

► Att.20: 1. Bļodveida stieplu suka

Atvienojiet darbarīku no strāvas un novietojiet otrādi, nodrošinot vienkāršu piekļuvi vārpstai. No vārpstas noņemiet visus piederumus. Uzstādiet bļodveida stieplu suku uz ass un pieskrūvējiet ar komplektā esošo uzgriežņu atslēgu. Izmantojot suku, to pārmērīgi nespiediet, jo tas var radīt stieplu saliekšanos, kas izraisa priekšlaicīgu salūšanu.

Ekspluatācija ar stieplu sukas ripu (papildpiederums)

⚠ UZMANĪBU:

- Pārbaudiet stieplu sukas ripas darbību, iedarbinot darbarīku bez slodzes un nodrošinot, lai stieplu sukas ripas priekšā vai sānos neviens neatrastos.
- Neizmantojiet stieplu sukas ripu, kas ir bojāta vai nav balansēta. Bojātas stieplu sukas ripas izmantošana var palielināt ievainojumu, ko rada salauzta stieple, iespēju.
- Lietojot stieplu sukas ripu, VIENMĒR izmantojiet aizsargu, nodrošinot, ka ripas diametrs atbilst aizsarga iekšpusei. Lietošanas laikā ripa var sadrupt un aizsargs palīdz samazināt ievainojumu gūšanas risku.

► **Att.21:** 1. Stieplu sukas ripa

Atvienojiet darbarīku no strāvas un novietojiet otrādi, nodrošinot vienkāršu piekļuvi asij. No ass noņemiet visus piederumus. Uzskrūvējiet stieplu sukas ripu uz ass un pieskrūvējiet ar uzgriežņu atslēgu. Izmantojot stieplu sukas ripu, to pārmērīgi nespiediet, jo tas var radīt stieplu saliekšanos, kas izraisa priekšlācīgu saplīšanu.

APKOPE

⚠ UZMANĪBU:

- Pirms veicat pārbaudi vai apkopi vienmēr pārlicinieties, vai instruments ir izslēgts un atvienots no barošanas.
- Nekad neizmantojiet gāzoliņu, benzīnu, atšķaidītāju, spirtu vai līdzīgus šķidrumus. Tas var radīt izbalēšanu, deformāciju vai plaisas.

► **Att.22:** 1. Izplūdes atvere 2. Ieplūdes atvere

Darbarīkam un tā ieplūdes un izplūdes atverēm jābūt tīriem. Regulāri tīriet darbarīka gaisa atveres, kā arī visos tajos gadījumos, kad atveres aizsprostojas. Lai uzturētu izstrādājuma DROŠĪBU un UZTICAMU darbību, remonts, oglekļa suku pārbaude un maiņa, jebkāda cita apkope vai regulēšana jāveic Makita pilnvarotiem apkopes centriem, vienmēr izmantojot Makita rezerves daļas.

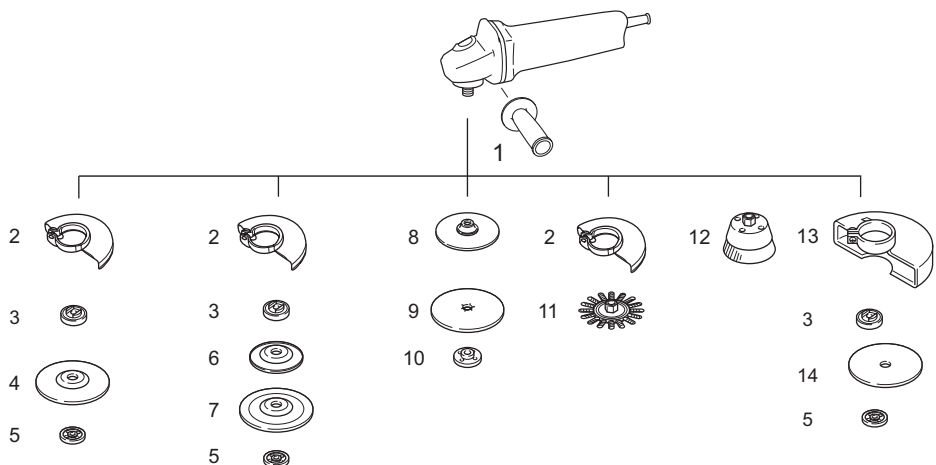
PAPILDU PIEDERUMI

⚠ UZMANĪBU:

- Šādi piederumi un rīki tiek ieteikti lietošanai ar šajā pamācībā aprakstīto Makita instrumentu. Jebkādu citu piederumu un rīku izmantošana var radīt traumu briesmas. Piederumu vai rīku izmantojiet tikai tā paredzētajam mērķim.

Ja jums vajadzīga palīdzība vai precīzāka informācija par šiem piederumiem, vērsieties savā tuvākajā Makita apkopes centrā.

- Putekļu vācele



	100 mm (4") modelis	115 mm (4-1/2") modelis	125 mm (5") modelis	150 mm (6") modelis
1	Rokturis 36			
2	Slīpripas aizsargs (slīpēšanas diskam)			
3	lekšējais atloks	lekšējais atloks Virsatloks *1	lekšējais atloks Virsatloks *1	lekšējais atloks Virsatloks *1
4	Slīpripa ar ieliektu centru/ plākšņu disks			
5	Kontruzgrieznis	Kontruzgrieznis Ezynut *2	Kontruzgrieznis Ezynut *2	Kontruzgrieznis Ezynut *2
6	Plastmasas paliktnis	Plastmasas paliktnis	Plastmasas paliktnis	-
7	Lokanā rīpa	Lokanā rīpa	Lokanā rīpa	-
8	Gumijas paliktnis 76	Gumijas paliktnis 100	Gumijas paliktnis 115	Gumijas paliktnis 125
9	Abrazīva rīpa			
10	Slīpēšanas kontruzgrieznis			
11	Stieple sukas rīpa			
12	Bļodveida stieple suka			
13	Slīpripas aizsargs (atgriešanas rīpām) *3			
14	Abrazīva atgriešanas rīpa/dimanta rīpa			
-	Kontruzgriežņa atslēga			

Piezīme:

*1 Neizmantojiet virsatloku ar slīpmašīnu, kas aprīkota ar bremzes funkciju.

*2 Virsatloku un Ezynut neizmantojiet kopā.

*3 Dažās Eiropas valstīs, izmantojot dimanta rīpu, īpašā aizsarga vietā, kas nosedz abas rīpas puses, var lietot parasto aizsargu. Ievērojiet savas valsts noteikumus.

PIEZĪME:

- Daži sarakstā norādītie izstrādājumi var būt iekļauti instrumenta komplektācijā kā standarta piederumi. Tie dažādās valstīs var būt atšķirīgi.

SPECIFIKACIJOS

Modelis	GA4040C	GA4041C	GA4540C	GA4541C	GA5040C / GA5040CN	GA5041C	GA6040C
Disko skersmuo	100 mm (4")		115 mm (4-1/2")		125 mm (5")		150 mm (6")
Maks. disko storis	6,4 mm		7,2 mm				6,4 mm
Veleno sriegis	M10		M14 arba 5/8" (priklausomai nuo šalies)				
Nominalus greitis (n) / greitis be apkrovos (n ₀)	11 000 min ⁻¹		11 000 min ⁻¹		11 000 min ⁻¹		9 000 min ⁻¹
Bendras ilgis	303 mm	325 mm	303 mm	325 mm	303 mm	325 mm	303 mm
Neto svoris	2,3 kg	2,6 kg	2,5 kg	2,7 kg	2,5 kg	2,7 kg	2,6 kg
Saugos klasė	II/III						

- Atliekame nepertraukiamus tyrimus ir nuolatos tobuliname savo gaminius, todėl čia pateikiamos specifikacijos gali būti keičiamos be įspėjimo.
- Įvairiose šalyse specifikacijos gali skirtis.
- Svoris pagal Europos elektrinių įrankių asociacijos nustatytą metodiką „EPTA-Procedure 01/2003“

Naudojimo paskirtis

Įrankis yra skirtas šlifuoti, šlifuoti šlifavimo popieriumi, metalui ir akmeniui pjauti nenaudojant vandens.

Maitinimo šaltinis

Šį įrankį reikia jungti tik prie tokio maitinimo šaltinio, kurio įtampa atitinka nurodytą įrankio duomenų plokštelėje; galima naudoti tik vienfazį kintamosios srovės maitinimo šaltinį. Jie yra dvigubai izoliuoti, todėl gali būti naudojami prijungus prie elektros laidų be atžeminimo laido.

Triukšmas

Tipiškas A svertinis triukšmo lygis nustatytas pagal EN60745:

Modelis GA4040C, GA4540C, GA5040C

Garso slėgio lygis (L_{PA}): 86 dB (A)

Garso galios lygis (L_{WA}): 97 dB (A)

Paklaida (K): 3 dB (A)

Modelis GA6040C

Garso slėgio lygis (L_{PA}): 87 dB (A)

Garso galios lygis (L_{WA}): 98 dB (A)

Paklaida (K): 3 dB (A)

Modelis GA4541C

Garso slėgio lygis (L_{PA}): 83 dB (A)

Garso galios lygis (L_{WA}): 94 dB (A)

Paklaida (K): 3 dB (A)

Modelis GA5041C

Garso slėgio lygis (L_{PA}): 84 dB (A)

Garso galios lygis (L_{WA}): 95 dB (A)

Paklaida (K): 3 dB (A)

Dėvėkite ausų apsaugas

Vibracija

Vibracijos bendroji vertė (trijų ašų vektorinė suma) nustatyta pagal EN60745:

Modelis GA4040C

Darbo režimas: paviršiaus šlifavimas su įprasta šonine rankena

Vibracijos emisija (a_{h,AG}): 5,0 m/s²

Paklaida (K): 1,5 m/s²

Darbo režimas: paviršiaus šlifavimas, naudojant

vibracijai atsparią šoninę rankeną

Vibracijos emisija (a_{h,AG}): 5,0 m/s²

Paklaida (K): 1,5 m/s²

Darbo režimas: diskinis šlifavimas, naudojant

įprastą šoninę rankeną

Vibracijos emisija (a_{h,DS}): 3,0 m/s²

Paklaida (K): 1,5 m/s²

Darbo režimas: diskinis šlifavimas, naudojant

vibracijai atsparią šoninę rankeną

Vibracijos emisija (a_{h,DS}): 2,5 m/s² arba mažiau

Paklaida (K): 1,5 m/s²

Modelis GA4540C

Darbo režimas: paviršiaus šlifavimas su įprasta šonine rankena

Vibracijos emisija (a_{h,AG}): 6,0 m/s²

Paklaida (K): 1,5 m/s²

Darbo režimas: paviršiaus šlifavimas, naudojant

vibracijai atsparią šoninę rankeną

Vibracijos emisija (a_{h,AG}): 5,5 m/s²

Paklaida (K): 1,5 m/s²

Darbo režimas: diskinis šlifavimas, naudojant

įprastą šoninę rankeną

Vibracijos emisija (a_{h,DS}): 2,5 m/s²

Paklaida (K): 1,5 m/s²

Darbo režimas: diskinis šlifavimas, naudojant

vibracijai atsparią šoninę rankeną

Vibracijos emisija (a_{h,DS}): 2,5 m/s²

Paklaida (K): 1,5 m/s²

Modelis GA5040C

Darbo režimas: paviršiaus šlifavimas su įprasta šonine rankena

Vibracijos emisija (a_{h,AG}): 6,5 m/s²

Paklaida (K): 1,5 m/s²

Darbo režimas: paviršiaus šlifavimas, naudojant

vibracijai atsparią šoninę rankeną

Vibracijos emisija (a_{h,AG}): 5,5 m/s²

Paklaida (K): 1,5 m/s²

Darbo režimas: diskinis šlifavimas, naudojant

įprastą šoninę rankeną

Vibracijos emisija (a_{h,DS}): 2,5 m/s²

Paklaida (K): 1,5 m/s²

Darbo režimas: diskinis šlifavimas, naudojant

vibracijai atsparią šoninę rankeną

Vibracijos emisija (a_{h,DS}): 2,5 m/s²

Paklaida (K): 1,5 m/s²

Modelis GA6040C

Darbo režimas: paviršiaus šlifavimas su įprasta šonine rankena

Vibracijos emisija ($a_{h,AG}$): 6,5 m/s²

Paklaida (K): 1,5 m/s²

Darbo režimas: paviršiaus šlifavimas, naudojant vibracijai atsparią šoninę rankeną

Vibracijos emisija ($a_{h,AG}$): 6,0 m/s²

Paklaida (K): 1,5 m/s²

Darbo režimas: diskinis šlifavimas, naudojant įprastą šoninę rankeną

Vibracijos emisija ($a_{h,DS}$): 2,5 m/s²

Paklaida (K): 1,5 m/s²

Darbo režimas: diskinis šlifavimas, naudojant vibracijai atsparią šoninę rankeną

Vibracijos emisija ($a_{h,DS}$): 2,5 m/s² arba mažiau

Paklaida (K): 1,5 m/s²

Modelis GA4541C

Darbo režimas: paviršiaus šlifavimas su įprasta šonine rankena

Vibracijos emisija ($a_{h,AG}$): 6,5 m/s²

Paklaida (K): 1,5 m/s²

Darbo režimas: paviršiaus šlifavimas, naudojant vibracijai atsparią šoninę rankeną

Vibracijos emisija ($a_{h,AG}$): 5,5 m/s²

Paklaida (K): 1,5 m/s²

Darbo režimas: diskinis šlifavimas, naudojant įprastą šoninę rankeną

Vibracijos emisija ($a_{h,DS}$): 2,5 m/s² arba mažiau

Paklaida (K): 1,5 m/s²

Darbo režimas: diskinis šlifavimas, naudojant vibracijai atsparią šoninę rankeną

Vibracijos emisija ($a_{h,DS}$): 2,5 m/s² arba mažiau

Paklaida (K): 1,5 m/s²

Modelis GA5041C

Darbo režimas: paviršiaus šlifavimas su įprasta šonine rankena

Vibracijos emisija ($a_{h,AG}$): 7,0 m/s²

Paklaida (K): 1,5 m/s²

Darbo režimas: paviršiaus šlifavimas, naudojant vibracijai atsparią šoninę rankeną

Vibracijos emisija ($a_{h,AG}$): 6,0 m/s²

Paklaida (K): 1,5 m/s²

Darbo režimas: diskinis šlifavimas, naudojant įprastą šoninę rankeną

Vibracijos emisija ($a_{h,DS}$): 2,5 m/s² arba mažiau

Paklaida (K): 1,5 m/s²

Darbo režimas: diskinis šlifavimas, naudojant vibracijai atsparią šoninę rankeną

Vibracijos emisija ($a_{h,DS}$): 2,5 m/s² arba mažiau

Paklaida (K): 1,5 m/s²

PASTABA: Paskelbtasis vibracijos emisijos dydis nustatytas pagal standartinį testavimo metodą ir jį galima naudoti vienam įrankiui palyginti su kitu.

PASTABA: Paskelbtasis vibracijos emisijos dydis taip pat gali būti naudojamas preliminariai įvertinti vibracijos poveikį.

PASTABA: Paskelbtasis keliamos vibracijos dydis galioja naudojant šį elektrinį įrankį pagrindiniams, numatytiesiems darbams atlikti. Tačiau, jeigu įrankis naudojamas kitiems darbams atlikti, keliamos vibracijos dydis gali būti kitoks.

⚠️ JSPĖJIMAS: Faktiškai naudojant elektrinį įrankį, keliamos vibracijos dydis gali skirtis nuo paskelbto dydžio, priklausomai nuo būdų, kuriais yra naudojamas šis įrankis.

⚠️ JSPĖJIMAS: Siekiant apsaugoti operatorių, būtina įvertinkite saugos priemones, remdamiesi vibracijos poveikio įvertinimu esant faktinėms naudojimo sąlygoms (atsižvelgdami į visas darbo ciklo dalis, pavyzdžiui, ne tik kiek laiko įrankis veikia, bet ir kiek kartų jis yra išjungiamas bei kai jis veikia be aprovų).

Tik Europos šalims

ES atitikties deklaracija

Bendrovė „Makita“ atsakingai pareiškia, kad šis įrenginys (-iai):

Mechanizmo paskirtis:

Kampinis šlifuoklus

Modelio Nr./ tipas: GA4040C, GA4540C, GA5040C, GA6040C, GA4541C, GA5041C

Atitinka šias Europos direktyvas:

2006/42/EC

Yra pagaminti pagal šį standartą arba normatyvinius dokumentus:

EN60745

Techninį dokumentą pagal 2006/42/EB galima gauti iš: Makita, Jan-Baptist Vinkstraat 2, 3070, Belgium (Belgija)

1.2.2016



Yasushi Fukaya

Direktorius

Makita, Jan-Baptist Vinkstraat 2, 3070, Belgium (Belgija)

Bendrieji perspėjimai darbui su elektriniais įrankiais

⚠️ JSPĖJIMAS Perskaitykite visus saugos įspėjimus ir instrukcijas. Nesilaikydami žemiau pateiktų įspėjimų ir instrukcijų galite patirti elektros smūgį, gaisrą ir/arba sunkų sužeidimą.

Išsaugokite visus įspėjimus ir instrukcijas, kad galėtumėte jas peržiūrėti ateityje.

Saugos įspėjimai dėl šlifuotuvo naudojimo

Bendri saugos įspėjimai šlifuojant, šlifuojant šlifavimo popieriumi, šveičiant vieliniu šepetčiu ir atliekant šlifuojamojo pjaustymo darbus:

1. Šis elektrinis įrankis skirtas naudoti kaip šlifavimo staklės, šlifuotuvus šlifavimo popieriumi, vielinis šepetys ar pjaustymo įrankis. Perskaitykite visus saugumo įspėjimus, instrukcijas, iliustracijas bei technines sąlygas, pateikiamas kartu su šiuo elektriniu įrankiu. Dėl toliau pateiktų instrukcijų nesilaikymo gali kilti elektros smūgio, gaisro ir (arba) rimto sužeidimo pavojus.

2. **Su šiuo elektriniu įrankiu nerekomenduojama atlikti tokių darbų kaip poliravimas.** Darbai, kuriems šis elektrinis įrankis nėra skirtas, gali kelti pavojų bei sąlygoti susižeidimą.
 3. **Nenaudokite priedų, kurie nėra specialiai sukurti ir rekomenduojami įrankio gamintojo.** Nors priedą ir galima pritaisyti prie jūsų elektrinio įrankio, tai vistiek neužtikrina saugios eksploatacijos.
 4. **Nominalusis priedo greitis turi būti bent jau lygus maksimaliam greičiui, nurodytam ant elektrinio įrankio.** Priedai, kurie veikia greičiau už vardinį greitį, gali sulūžti ir atsiskirti.
 5. **Priedo išorinis skersmuo ir storis turi atitikti elektrinio įrankio pajėgumo kategoriją.** Netinkamo dydžio priedų negalima tinkamai apsaugoti skydais ar valdyti.
 6. **Srieginių priedų jungiamoji dalis privalo atitikti šlifavimo veleno sriegį.** Priedų, montuojamų naudojant junges, angos velenui dydis privalo tiksliai atitikti jungės fiksavimo skersmenį. Naudojami priedai, kurių dydis neatitinka elektrinio įrankio dalių, prie kurių jie montuojami, dydžio, išbalansuos įrankį, sukels pernelyg didelę vibraciją bei įrankio valdymo praradimą.
 7. **Nenaudokite sugadinto priedo. Kiekvieną kartą prieš naudodami įrankį patikrinkite jo priedus, pvz., ar šlifavimo diskai nenudaužyti ir nesu-trūkė, ar nėra atraminųjų padėklų įtrūkių, plyšių ar jie ne per daug nusidėvėję, ar nėra iškritusių vielinio šepetio vielų ir ar jos nenulūžusios.** Jei elektrinis įrankis ar jo priedas buvo numestas, patikrinkite, ar nėra pažeidimų, arba naudokite nepažeistą priedą. Patikrinę ir įtaisę priedą, atsistokite bei nuveskite stebinčiuo-sius toliau nuo besisukančio priedo plokš-tumos ir paleiskite elektrinį įrankį veikti maxi-malium greičiu be apkrovos 1 minutę. Paprastai per šį tikrinimo laiką pažeisti priedai turėtų suskilti.
 8. **Naudokite asmeninės apsaugos priemones.** Priklausomai nuo pritaikymo, naudokite apsauginį veido skydelį, tamsius arba apsaugi-nius akinius. Kaip pridera, dėvėkite apsaugos nuo dulkių kaukę, klausos apsaugą, pirštines ir dirbtuvės prijuostę, sulaukiančią smulkius abrazyvus ar ruošinio skeveldras. Akių apsauga turi sulaukyti skriejančias nuolaužas, susidari-usias įvairių operacijų metu. Apsaugos nuo dulkių kaukė arba respiratorius turi filtruoti darbo metu susidariusias dalelytes. Dėl intensyvaus ilgalaikio triukšmo galima prarasti klausą.
 9. **Laikykite stebinčiuosius toliau nuo darbo vietos.** Kiekvienas, užeinantis į darbo vietą, turi dėvėti asmeninę apsaugos aprangą. Ruošinio ar sulūžu-sio priedo skeveldros gali nuskrietti toliau ir sužeisti asmenis už tuomet atliekamo darbo zonas.
 10. **Atlikdami darbus, kurių metu pjovimo antgalis galėtų užkliudyti nematomą laidą arba savo paties laidą, laikykite elektrinius įrankius tik už izoliuotų paviršių.** Pjovimo antgaliai prisilietus prie laido, kuriuo teka elektros srovė, neizoliuotos metalinės elektrinio įrankio dalys gali sukelti elek-tros smūgį ir nutrenkti operatorių.
 11. **Saugiai atitraukite laidą nuo greitai besisukančio priedo.** Jei prarastumėte pusiausvyrą, galite perkirsti ar užkliudyti laidą, o jūsų plaštaka arba ranką gali įtraukti greitai besisukantis priedas.
 12. **Niekada nepadėkite šio elektrinio įrankio, kol jo priedas nėra visiškai sustojęs.** Greitai besisukantis priedas gali užkabinti paviršių ir jūs galite nebesuvaldyti elektrinio įrankio.
 13. **Nešant įrankį prie savo šono, jis turi būti išjungtas.** Greitai besisukantis priedas gali atsitiktinai užkabinti jūsų drabužius ir jus sužaloti.
 14. **Reguliariai išvalykite elektrinio įrankio oro venti-liacijos angas.** Variklio ventiliatorius traukia dulkes į korpuso vidų ir dėl per didelių metalo dulkių san-kaupų gali kilti su elektros įranga susijęs pavojus.
 15. **Nenaudokite elektrinio įrankio būdami neto-liese degių medžiagų.** Nuo kibirkščių degiosios medžiagos gali užsidegti.
 16. **Nenaudokite priedų, kuriems reikalingi skysti aušinimo skysčiai.** Naudojant vandenį ar kitą skystį gali išitikti mirtina elektros trauma ar elektros smūgis.
- Atatranka ir su ja susiję įspėjimai**
- Atatranka yra staigi reakcija į suspaustą arba sugriebtą besisu-kantį diską, atraminį padėklą, šepetį ar kitą priedą. Suspaudimas arba sugnybimas sukelia staigų besisukančio priedo sulaukymą, dėl to nevaldomas elektrinis įrankis sulaukymo taške verčiamas judėti priešinga priedo sukimuisi kryptimi. Pavyzdžiui, jeigu šlifavimo diską suspaudžia ruošinys, disko kraštas, kuris patenka į suspaudimo tašką, gali įsi-kirsti į medžiagos paviršių ir dėl to diskas atšoks. Diskas gali atšokti į operatorių arba nuo jo; tai priklauso nuo disko sukimosi krypties suspaudimo metu. Šlifavimo diskas tokiomis sąlygomis gali ir sulūžti.
- Atatranka yra piktnaudžiavimo elektriniu įrankiu ir (arba) netin-kamų darbo procedūrų ar sąlygų rezultatas, jos galima išvengti vadovaujantis toliau nurodytomis atsargumo priemonėmis.
1. **Tvirtai laikykite elektrinį įrankį ir stovėkite taip, kad jūsų kūnas bei ranka netrukdytų priešintis atatrankos jėgoms.** Visada naudokite papil-diną rankeną, jei tokia yra, kad jungimo metu galėtumėte maksimaliai valdyti atatranką ar sukamojo momento reakcijas. Operatorius gali valdyti sukamojo momento reakciją bei atatrankos jėgą, jei imasi atitinkamų atsargumo priemonių.
 2. **Niekada nelaikykite rankos šalia besisukančio priedo.** Priedas gali atsitrenkti į jūsų ranką.
 3. **Nebūkite toje zonoje, kurios link judės elektrinis įrankis, jei įvyks atatranka.** Atatranka pastums įrankį priešinga disko sukimuisi kryptimi suspaudimo taške.
 4. **Ypač saugokitės apdirbdami kampus, aštrius kraštus ir pan. Stenkitės priedo nesutrenkti ir neužkliudyti.** Besisukantis priedas gali užsikabinti ar atsitrenkti į kampus, aštrius kraštus ir sukelti atatranką, o dėl to galima nebesuvaldyti įrankio.
 5. **Nenaudokite pjūklų grandinės su medį raizan-čiais asmenimis ar dantytos pjūklų grandinės.** Tokie diskai dažnai sukelia atatranką ir įrankio suvaldymo problemų.
- Specialūs saugos įspėjimai atliekant šlifavimo ir abrazyvinio pjaustymo darbus:**
1. **Naudokite tik tuos diskus, kurie rekomenduojami naudoti su elektriniu įrankiu, ir specialią tam dis-kui skirtą apsaugą.** Diskai, kurie netinka elektriniam įrankiui, negali būti tinkamai apsaugoti ir yra nesaugūs.
 2. **Sumontuotų diskų su įspaustu centru šlifavimo paviršius privalo būti žemiau apsauginio gaubto krašto plokštumos.** Netinkamai sumontuoto disko, kuris kyšo pro apsauginio gaubto krašto plokštumą, nebus galima tinkamai apsaugoti.

3. **Apsauga turi būti tinkamai pritvirtinta prie elektrinio įrankio, o siekiant apsaugoti kuo labiau, uždėta taip, kad kuo mažesnė disko dalis galėtų paveikti operatorių.** Apsauginis gaubtas padeda apsaugoti operatorių nuo atskilusių disko dalių ir netyčinio prisilietimo prie disko bei žiežirbų, kurios gali uždegti drabužius.
4. **Diskai turi būti naudojami tik pagal rekomenduojamą paskirtį. Pavyzdžiui, nešlifukokite pjovimo disko šonu.** Šlifuojantys pjovimo diskai yra skirti periferiniam šlifavimui, todėl diskus veikiančios šoninės jėgos juos gali suskaldyti.
5. **Visada naudokite tik nesugadintas diskų junges, kurios pasirinktam diskui yra tinkamos dydžio bei formos.** Tinkamos diskų jungės prilaiko diską, mažindamos disko trūkimo tikimybę. Pjovimo diskams skirtos jungės gali skirtis nuo šlifavimo diskų jungių.
6. **Nenaudokite nusidėvėjusių diskų nuo didesnių elektrinių įrankių.** Didesniems elektriniams įrankiams skirti diskai netinka greičiau besisukančiam mažesniai įrankiui, jie gali sutrūkinėti į tūkstančius dalių.

Papildomi specialūs saugos įspėjimai atliekant abrazyvinio pjaustymo darbus:

1. **Saugokite, kad pjovimo diskas neįstrigtų, ir pernelyg nespauskite. Nemėginkite atlikti pernelyg gilių pjūvių.** Per stipriai spaudžiant, padidėja apkrova ir disko persikreipimo ar užstrigimo pjūvyje tikimybė bei atatranksio ar disko lūžimo galimybė.
2. **Nestovėkite vienoje eilėje su besisukančiu disku ir už jo.** Kai diskas veikimo metu juda nuo jūsų kūno, galima atatranka gali pastumti besisukančią diską ir elektrinį įrankį tiesiai į jus.
3. **Kai diskas užstrigo arba kai pjovimas dėl kitų priežasčių nutraukiamas, išjunkite elektrinį įrankį ir nejudinkite jo, kol diskas visiškai nenustos sukstis. Niekada nebandykite išimti pjovimo disko iš pjūvio, kai diskas sukasi, nes gali susidaryti atatranka.** Ištrinkite ir imkitės tinkamų veiksmų, kad pašalintumėte disko užstrigimo priežastį.
4. **Nepradėkite iš naujo pjausti, kai diskas ruošinyje. Leiskite, kad diskas pasiektų visą greitį ir tik tada atsargiai įleiskite jį į pjūvį.** Diskas gali įstrigti, iššokti arba atšokti, jeigu elektrinis įrankis bus iš naujo paleistas diskui esant ruošinyje.
5. **Plokštes ar kitus per didelio dydžio ruošinius paremkite ir taip sumažinkite pavojų, kad diskas bus suspaustas ir atšoks.** Dideli ruošiniai linksta dėl savo pačių svorio. Ruošinį reikia paremti iš abiejų disko pusių, šalia pjovimo linijos ir prie ruošinio krašto.
6. **Ypač būkite atsargūs įpjaudami sienas arba kitas aklinas vietas.** Atsikisęs diskas gali prapjauti dujų ar vandens vamzdžius, elektros laidus arba objektus, kurie gali sukelti atatranką.

Specialūs saugos įspėjimai atliekant šlifavimo darbus šlifavimo popieriumi:

1. **Nenaudokite itin didelio dydžio šlifavimo disko popieriaus. Laikykitės gamintojo rekomendacijų, kai renkatės šlifavimo popierių.** Didesnis šlifavimo popierius, kuris išsikiša už šlifavimo padėklo ribų, gali sukelti įplėšimo pavojų, dėl to gali lūžti diskas arba įvykti atatranka.

Specialūs saugos įspėjimai dirbant su vieliniu šepetčiu:

1. **Atkreipkite dėmesį, kad vieliniai šereliai krinta iš šepetuko netgi įprasto naudojimo metu. Nespauskite per daug šerelių, naudodami didelę jėgą šepetčiui.** Vieliniai šereliai gali lengvai pradurti ploną drabužių ir (arba) odą.
2. **Jeigu rekomenduojama naudoti vielinio šepetčio apsaugą, neleiskite, kad vielinis diskas ar šepetys būtų naudojami be apsaugos.** Vielinio disko ar šepetčio skersmuo dėl darbinio krūvio ir išcentrinųjų jėgų poveikio gali padidėti.

Papildomi saugos įspėjimai:

1. **Naudodami nuspaustus centrinius šlifavimo diskus, būtinai naudokite tik stiklo pluoštu sustiprintus diskus.**
2. **Su šiuo šlifuoekliu NIEKADA NENAUDOKITE taurelės formos akmeninio šlifavimo disko.** Šis šlifuoeklis nėra skirtas naudoti su šio tipo diskais, todėl naudojant tokį gaminį galima sunkiai susižeisti.
3. **Nepažeiskite veleno, jungės (ypač montavimo paviršiaus) ir fiksavimo galvutės. Dėl šių dalių pažeidimų gali lūžti diskas.**
4. **Prieš įjungdami jungiklį patikrinkite, ar diskas nesiliečia su ruošiniu.**
5. **Prieš naudodami įrankį su ruošiniu, leiskite jam kurį laiką veikti be apkrovos. Stebėkite, ar nėra vibracijos ar kibėjimo, rodančio, jog blogai surinkta ar kad blogai subalansuotas diskas.**
6. **Šlifavimui naudokite nurodyto paviršiaus diską.**
7. **Nepalikite veikiančio įrankio. Naudokite įrankį tik laikydami rankomis.**
8. **Nelieskite ruošinio iškart po naudojimo; jis gali būti itin karštas ir nudeginti odą.**
9. **Laikykitės gamintojo nurodymų apie teisingą diskų uždėjimą ir naudojimą. Su diskais elkitės ir juos laikykite rūpestingai.**
10. **Nenaudokite atskiru mažinimo įvorių arba adapterių, skirtų didelių skylių šlifuojamiesiems diskams uždėti.**
11. **Naudokite tik šiam įrankiui nurodytas junges.**
12. **Jeį naudojate įrankius, kuriems skirti diskai su sriegiu, įsitikinkite, ar sriegis diske yra pakankamai ilgas, kad tiktų veleno ilgis.**
13. **Patikrinkite, ar ruošinys yra tinkamai palaikomas.**
14. **Atkreipkite dėmesį, kad išjungus įrankį diskas toliau sukasi.**
15. **Jeį darbo vieta yra ypač karšta ir drėgna arba labai užteršta laidžiomis dulkėmis, naudokite užtrumpinimo pertraukiklį (30 mA), kad užtikrintumėte naudojimo saugumą.**
16. **Nenaudokite įrankio su bet kokiomis medžiagomis, kuriose yra asbesto.**
17. **Kai naudojate pjovimo diską, visuomet dirbkite su dulkes renkančia disko apsauga, kurios reikalauja vietinės taisyklės.**
18. **Pjovimo diskų negalima spausti iš šonų.**
19. **Nenaudokite medžiaginių pirštinių darbo metu. Medžiaginių pirštinių audinio pluoštų gali patekti į įrankį, todėl įrankis gali sugesti.**

SAUGOKITE ŠIAS INSTRUKCIJAS.

⚠ JSPĖJIMAS: NELEISKITE, kad patogumas ir gaminio pažinimas (įgyjamas pakartotini nau-dojant) susilpnintų griežtą saugos taisyklių, tai-kytinių šiam gaminiui, laikymąsi. Dėl **NETINKAMO NAUDOJIMO** arba saugos taisyklių, kurios pateik-tos šioje instrukcijoje, nesilaikymo galima rimtai susižeisti.

VEIKIMO APRAŠYMAS

⚠ PERSPĖJIMAS:

- Prieš reguliuodami įrenginį arba tikrindami jo veikimą visada patikrinkite, ar įrenginys išjung-tas, o laido kištukas - ištrauktas iš elektros lizdo.

Ašies fiksatorius

► **Pav.1:** 1. Ašies fiksatorius

⚠ PERSPĖJIMAS:

- Niekada nejunkite ašies fiksatoriaus, kai velenas juda. Tokiu būdu galima sugadinti įrankį.

Paspauskite ašies fiksatorių, kad velenas nesisuktų, kai dedate ar nuimate priedus.

Jungiklio veikimas

► **Pav.2:** 1. Stumdomas jungiklis

⚠ PERSPĖJIMAS:

- Prieš įjungdami įrankį į elektros tinklą, visuomet patikrinkite, ar stumdomas jungiklis tinkamai įsijungia ir grįžta į padėtį „OFF“ (išjungta), kai nuspaudžiama jungiklio galinė dalis.
- Kai įrankis naudojamas ilgą laiką, operatoriaus patogumui jungiklį galima užfiksuoti padėtyje „ON“ (įjungta). Būkite atsargūs, užfiksuodami įrankį padėtyje „ON“ (įjungta) ir tvirtai laikykite įrankio rankeną.

Modeliui GA4040C, GA4041C, GA4540C, GA4541C, GA5040C, GA5041C, GA6040C

Norėdami įjungti įrankį, spausdami galinę stumdomo jungiklio dalį, pastumkite stumdomą jungiklį į padėtį „I (ON)“ (įjungta). Nepertraukiamam veikimui paspauskite priekinę stumdomo jungiklio dalį ir jį užfiksuokite. Norėdami išjungti įrankį, spausdami galinę stumdomo jungiklio dalį, pastumkite jį į padėtį „O (OFF)“ (išjungta).

Modeliui GA5040CN

Norėdami įjungti įrankį, pastumkite stumdomą jungiklį į padėtį „I (ON)“ (įjungta).

Norėdami išjungti įrankį, stumkite stumdomą jungiklį į padėtį „O (OFF)“ (išjungta).

Indikacinė lemputė

► **Pav.3:** 1. Indikacinė lemputė (greičio reguliavimo rankenėlė)

Įjungus įrankį, užsidega žalia įjungimo indikacinė lemputė. Jei indikacinė lemputė neužsidega, gali būti nutrūkęs maitinimo laidas arba perdegusi indikacinė lemputė. Jei indikacinė lemputė šviečia, bet įrankis neveikia, nors yra įjungtas, gali būti susidėvėję angliniai šepetėliai arba sugedęs valdiklis, variklis ar ON / OFF (įjungimo / išjungimo) jungiklis.

Netyčinio pakartotinio paleidimo patikrinimas

Įrankis nepradės veikti, kai jungiklis užrakintas, net kai įrankis įjungtas į tinklą.

Tuo metu indikatoriaus lemputė mirksi raudonai ir rodo, kad veikia apsaugos įtaisas nuo netyčinio įjungimo. Norėdami atšaukti apsaugą nuo netyčinio įjungimo, grąžinkite stumdomą jungiklį į padėtį „O(OFF)“ (išjungta).

Greičio reguliavimo diskas

► **Pav.4:** 1. Greičio reguliavimo diskas

Sukimosi greitį galima keisti pasukant greičio reguliavimo ratuką prie norimo skaičiaus nuo 1 iki 5.

Greitis didėja, kai ratukas sukamas skaičiaus 5 kryptimi, o mažesnis greitis gaunamas sukant skaičiaus 1 kryptimi.

Žr. žemiau pateiktą lentelę, kad pamatytumėte ryšį tarp skaičiaus ant ratuko ir apytikslį sukimosi greitį.

Modeliui GA4040C, GA4540C, GA5040C, GA5040CN, GA4041C, GA4541C, GA5041C

Skaičius	min ⁻¹ (apsukos)
1	2 800
2	4 000
3	6 000
4	8 000
5	11 000

Modeliui GA6040C

Skaičius	min ⁻¹ (apsukos)
1	4 000
2	5 000
3	6 000
4	7 000
5	9 000

⚠ PERSPĖJIMAS:

- Jeigu įrenginys be pertraukos ilgą laiką veikia mažu greičiu, variklis patiria perkrovą ir įkaista.
- Greičio reguliavimo diską galima sukuti tik iki 5 ir atgal iki 1. Nesukite jo toliau, nes gali sutrikti greičio reguliavimo funkcija.

Elektroninė funkcija

Įrenginiais, turinčiais elektroninę funkciją, lengva naudotis dėl toliau nurodytų veikimo savybių.

Nuolatinis greičio reguliavimas

Pastovaus greičio valdiklis užtikrina tinkamą apdailą, palaikant pastovų sukimosi greitį esant apkrovai.

Tolygaus įjungimo funkcija

Tolygaus įjungimas slopina įjungimo smūgį.

Perkrovos saugiklis

Viršijus leistiną įrankio apkrovą, variklio maitinimas sumažinamas siekiant apsaugoti variklį nuo perkaitimo. Įrankis veiks įprastai vėl pasiekus leistiną apkrovą.

Mechaninis stabdiklis

Modeliui **GA4041C, GA4541C, GA5041C**

Mechaninis stabdiklis suaktyvinamas po to, kai įrankis išjungiamas.

Stabdiklis neveikia atjungus maitinimą, bet neišjungus jungiklio.

SURINKIMAS

⚠ PERSPĖJIMAS:

- Prieš taisydami įrenginį visada patikrinkite, ar jis išjungtas, o laido kištukas - ištrauktas iš elektros lizdo.

Šoninės rankenos montavimas

► Pav.5

⚠ PERSPĖJIMAS:

- Prieš naudodami visuomet įsitinkinkite, kad šoninė rankena yra patikimai uždėta.

Prisukite šoninę rankeną patikimai jos vietoje, kaip parodyta paveikslėlyje.

Apsauginio gaubto uždėjimas arba nuėmimas (diskui su įgaubtu centru, poliravimo diskui, lanksčiajam diskui, vieliniam disko formos šepetėliui / šlifuojamajam pjovimo diskui, deimantiniam diskui)

⚠ PERSPĖJIMAS:

- Kai naudojate diską su įgaubtu centru, poliravimo diską, lankstųjį diską arba vielinį disko formos šepetėlį, apsauginis disko gaubtas turi būti uždėtas ant įrankio taip, kad uždaras apsauginio gaubto šonas visuomet būtų atsuktas į operatorių.
- Naudodami šlifuojamąjį pjovimo/deimantinį diską, būtina naudokite tik specialų apsauginį gaubtą, skirtą naudoti su pjovimo diskais. (Tam tikrose Europos šalyse naudojant deimantinį diską, galima naudoti įprastą apsauginį gaubtą. Vadovaukitės jūsų šalyje galiojančiomis taisyklėmis.)

Įrankiui su fiksuojamo varžto tipo disko apsauga

► Pav.6: 1. Disko saugiklis 2. Guoliai 3. Varžtas

Uždėkite disko apsaugą ant disko apsauginės juostos, išsikišimus sutapdinę su įrantomis ties guolių dėže. Tuomet pasukite disko saugiklį apie 180° prieš laikrodžio rodyklę. Būtinai patikimai priveržkite varžtą. Jei norite išimti disko saugiklį, laikykitės montavimo procedūros atvirkščia tvarka.

Įrankiui su suveržimo svirties tipo disko apsauga

► Pav.7: 1. Disko saugiklis 2. Guoliai 3. Varžtas 4. Svirtelė

Atlaisvinę varžtą, stumkite svirtį rodyklės kryptimi. Uždėkite disko apsaugą ant disko apsauginės juostos, išsikišimus sutapdinę su įrantomis ties guolių dėže. Tuomet pasukite disko saugiklį maždaug 180°.

► Pav.8: 1. Varžtas 2. Svirtelė

Pastūmę svirtį rodyklės kryptimi, priveržkite apsauginį disko gaubtą tvirtinimo varžtu. Nustatomą disko apsaugos kampą galima reguliuoti svirtimi. Jei norite išimti disko saugiklį, laikykitės montavimo procedūros atvirkščia tvarka.

Disko su įgaubtu centru arba poliravimo disko (papildomo priedo) uždėjimas ir nuėmimas

⚠ PERSPĖJIMAS:

- Kai naudojate diską su įgaubtu centru arba poliravimo diską, apsauginis disko gaubtas turi būti uždėtas ant įrankio taip, kad uždaras apsauginio gaubto šonas visuomet būtų atsuktas į operatorių.

► Pav.9: 1. Fiksavimo galvutė 2. Nuspaustas centrinis diskas 3. Vidinis kraštas

Uždėkite vidinį kraštą ant veleno. Uždėkite diską ant vidinio krašto ir prisukite fiksatoriaus galvutę ant veleno.

► Pav.10: 1. Fiksavimo galvutės raktas 2. Ašies fiksatorius

Jei norite priveržti fiksavimo galvutę, stipriai paspauskite ašies fiksatorių taip, kad velenas negalėtų sukstis, tada pasinaudokite fiksavimo galvutės raktu ir patikimai priveržkite pagal laikrodžio rodyklę.

Jei norite nuimti diską, laikykitės uždėjimo procedūros atvirkščia tvarka.

Papildoma jungė (papildomas priedas)

Modeliuose su raide F būna standartiškai sumontuota papildoma jungė. Fiksavimo veržlei atsukti tereikia tik 1/3 pastangų, palyginus su pastangomis, kurių paprastai reikia įprastai veržlei atsukti.

⚠ PERSPĖJIMAS:

- Nenaudokite papildomos jungės modeliams, kuriuose būna įrengtas mechaninis stabdys. Antraip, įjungus stabdį, ji gali atsilaisvinti.

Įtaiso „Ezynut“ (pasirenkamo priedo) uždėjimas arba nuėmimas

⚠ PERSPĖJIMAS:

- Nenaudokite įtaiso „Ezynut“ su papildoma jungė arba kampiniu šlifuojuoju, kurio modelio numerio gale yra raidė „F“. Šios jungės yra tokios storos, kad jų neįmanoma iki galo užsriegti ant veleno.

► Pav.11: 1. Veržlė „Ezynut“ 2. Abrazyvinis diskas 3. Vidinis kraštas 4. Velenas

Uždėkite vidinę jungę, šlifavimo diską ir veržlę „Ezynut“ ant veleno taip, kad ant „Ezynut“ esantis logotipas „Makita“ būtų nukreiptas išorėn.

► **Pav.12:** 1. Ašies fiksatorius

Tvirtai įspauskite veleno fiksatorių ir priveržkite veržlę „Ezynut“, sukdami abrazyvinį diską pagal laikrodžio rodyklę tiek, kiek jis sukis.

Norėdami atlaisvinti, sukite išorinį įtaiso „Ezynut“ žiedą prieš laikrodžio rodyklę.

► **Pav.13:** 1. Rodyklė 2. Įdubimas

► **Pav.14**

PASTABA:

- Jeigu tik rodyklė nukreipta įrąntos link, įtaisą „Ezynut“ galima atsukti rankomis. Kitais atvejais, norint jį atsukti, reikia veržliarakčio. Įkiškite vieną veržliarakčio smaigą į angą ir sukite įtaisą „Ezynut“ prieš laikrodžio rodyklę.

Lankščiojo disko (papildomo priedo) uždėjimas ir nuėmimas

⚠️ **ĮSPĖJIMAS:**

- Visada naudokite pateiktą apsauginį gaubtą, kai ant įrankio uždėtas lankstusis diskas. Naudojimo metu diskas gali subyrėti, o apsauginis gaubtas sumažina galimybę susižeisti.

► **Pav.15:** 1. Fiksavimo galvutė 2. Lankstus ratukas 3. Plastmasinis padas 4. Vidinis kraštas

Vadovaukitės diskui su įgaubtu centru taikomais nurodymais, bet ant disko taip pat uždėkite plastikinį padą. Žr. uždėjimo eilės tvarką, aprašytą šio vadovo priedų puslapyje.

Šlifavimo disko (pasirenkamo priedo) uždėjimas arba nuėmimas

PASTABA:

- Naudokite šiam vadove išvardintus papildomus šlifavimo priedus. Juos reikia įsigyti atskirai.

► **Pav.16:** 1. Šlifavimo antveržlė 2. Šlifavimo diskas 3. Guminis padas

Uždėkite ant ašies guminį pagrindą. Uždėkite diską ant guminio pagrindo ir užsukite antveržlę ant veleno. Norėdami priveržti šlifavimo antveržlę, stipriai paspauskite ašies fiksatorių, kad velenas negalėtų sukis; tada, naudodami antveržlės raktą, tvirtai priveržkite ją, sukdami pagal laikrodžio rodyklę. Jei norite nuimti diską, laikykitės uždėjimo procedūros atvirkščia tvarka.

Dulkių gaubto įtaiso (pasirenkamas priedas) sumontavimas ir nuėmimas

⚠️ **ĮSPĖJIMAS:**

- Prieš uždėdami arba nuimdami dulkių gaubto priedą, visuomet būtinai išjunkite įrankį ir atjunkite jį nuo maitinimo tinklo. Jeigu to nepadarysite, gali sugesti įrankis arba galima sunkiai susižeisti.

Yra keturių rūšių dulkių gaubtai, kurių kiekvienas naudojamas skirtingoje padėtyje.

► **Pav.17:** 1. Žymė A 2. Žymė B 3. Žymė C 4. Žymė D

Nustatykite dulkių gaubto priedą taip, kad žymė (A, B, C arba D) būtų nurodytoje padėtyje. Užfiksokite kaiščius angose. Dulkių gaubtą galima nuimti rankomis.

PASTABA:

- Išvalykite dulkių gaubtą, jeigu jame susikaupia dulkių arba pašalinių medžiagų. Tęsiant darbą, kai dulkių gaubtas užkimštas, įrankis gali būti sugadintas.

NAUDOJIMAS

⚠️ **ĮSPĖJIMAS:**

- Dirbant su įrankiu niekada nereikėtų naudoti jėgos. Įrankio svoris sukelia pakankamą spaudimą. Jėgos naudojimas ir per didelis spaudimas kelia pavojingo disko lūžimo pavojų.
- VISUOMET pakeiskite diską, jei įrankis iškrito šlifavimo metu.
- NIEKADA nedaužykite šlifavimo disko į ruošinį.
- Venkite disko atšokimų ir užkliuvimų, ypač kai apdorojate kampus, aštirus kraštus ir .t. t. Dėl to galima nesuvaldyti įrankio ir jis gali atšokti.
- NIEKADA nenaudokite įrankio su medžio pjovimo ašmenimis ir kitomis pjūtomis geležtėmis. Tokius ašmenis naudojant su šlifuotuvu dažnai įvyksta atitranka, dėl kurios įrankis tampa nevaldomas ir gali sužeisti žmogų.

⚠️ **PERSPĖJIMAS:**

- NIEKADA nejunkite įrankio, kai jis liečiasi su ruošiniu, - įrankio naudotojas gali susižeisti.
- Dirbdami visuomet dėvėkite apsauginius akinius arba veido skydelį.
- Panaudoję įrankį visuomet jį išjunkite ir prieš padėdami įrankį palaukite, kol diskas visiškai sustos.

Šlifavimas ir šlifavimas švitrinio popieriumi

► **Pav.18**

Visuomet laikykite įrankį tvirtai viena ranka ant korpuso ir kita ant šoninės rankenos. Įjunkite įrankį ir tada diską apdirbkite ruošinį.

Apskritai, laikykite disko kraštą maždaug 15° kampu į ruošinio paviršų.

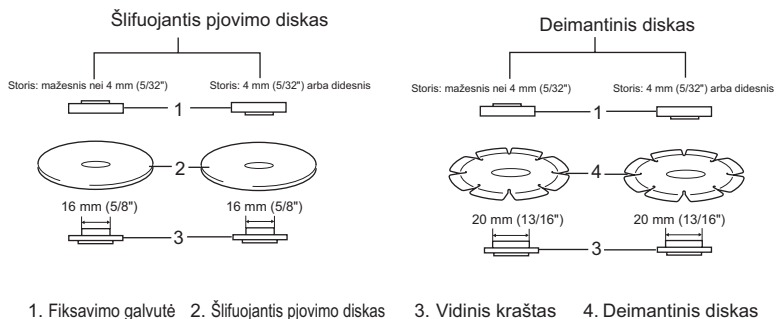
Naudojimo metu apšilimo laikotarpiu nedirbkite šlifuoekliu kryptimi B arba jis įpjau ruošinį. Kai disko kraštas suapvalėja nuo naudojimo, diską galima dirbti abiem – A ir B – kryptimis.

Šlifuojamojo pjovimo disko / deimantinio disko (pasirenkamo priedo) naudojimas

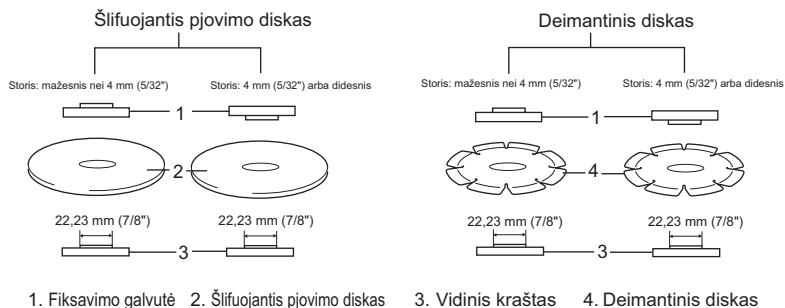
► **Pav.19:** 1. Fiksavimo galvutė 2. Šlifuojamasis pjovimo diskas / deimantinis diskas 3. Vidinis kraštas 4. Apsauginis gaubtas šlifuojamajam pjovimo diskui/deimantiniam diskui

Antveržlės ir vidinių jungių montavimo kryptis priklauso nuo disko storio. Žr. toliau pateiktą lentelę.

100 mm (4 col.) modelis



115 mm (4½ col.) / 125 mm (5 col.) / 150 mm (6 col.) modelis



⚠️ ĮSPĖJIMAS:

- Naudodami šlifuojamąjį pjovimo/deimantinį diską, būtina naudoti tik specialų apsauginį gaubtą, skirtą naudoti su pjovimo diskais. (Tam tikrose Europos šalyse naudojant deimantinį diską, galima naudoti įprastą apsauginį gaubtą. Vadovaukitės jūsų šalyje galiojančiomis taisyklėmis.)
- NIEKADA nenaudokite pjovimo disko šonams šlifuoti.
- Neužstrigdykite disko ir per daug jo nespaukite. Nesistenkite padaryti itin gilaus pjūvio. Per didelis spaudimas padidina apkrovą disko pjūvyje, persikreipimo ar užstrigimo tikimybę bei atitranskos, disko lūžimo ir motoro perkaitimo galimybę.
- Nepradėkite pjauti ruošinyje. Leiskite, kad diskas pasiektų visą greitį, ir tik tada atsargiai įleiskite jį į pjūvį, stumdami jį pirmyn ruošinio paviršiuje. Diskas gali įstrigti, iššokti arba atšokti, jeigu elektrinis įrankis yra paleistas diskui esant ruošinyje.
- Pjaudami niekada nekeiskite disko kampo. Spaudžiant pjovimo diską iš šono (pvz., šlifuojant) diskas gali įtrūkti ar sulūžti, sukeldamas pavojų susižeisti.
- Deimantinį diską reikia naudoti tik nukreipus jį statmenai pjaujamai medžiagai.

Vielinio, taurelės formos šepetėlio (pasirenkamo priedo) naudojimas

⚠️ PERSPĖJIMAS:

- Patikrinkite, kaip veikia šepetėlis, paleidę įrankį veikti be apkrovų ir įsitikinę, kad niekas nestovi priešais arba vienoje linijoje su šepetėliu.
- Nenaudokite apgadinto arba išbalansuoto šepetėlio. Naudojant apgadintą šepetėlį, galima susižeisti, prisilietus prie aplūžusių šepetėlio vielų.

► Pav.20: 1. Vielinis, taurelės formos šepetėlis

Išjunkite įrankį iš maitinimo tinklo ir padėkite jį apverstai, kad lengvai pasiektumėte veleną. Nuimkite nuo veleno visus priedus. Užsukite ant veleno vielinį, taurelės formos šepetėlį ir priveržkite jį pateiktuju varžliarakčiu. Naudodami šepetėlį, pirmąly nespaukite, kad vielėlės nesulinktų ir nesulūžtų pirma laiku.

Vielinio, disko formos šepetėlio (pasirenkamo priedo) naudojimas

⚠ PERSPĖJIMAS:

- Patikrinkite, kaip veikia vielinis, disko formos šepetėlis, paleidę įrankį veikti be apkrovų ir įsitikinę, kad niekas nestovi priešais arba vienoje linijoje su vieliniu, disko formos šepetėliu.
- Nenaudokite apgadinto arba išbalansuoto vielinio, disko formos šepetėlio. Naudojant apgadintą vielinį, disko formos šepetėlį, galima susižeisti, prisilietus prie aplūžusių šepetėlio vielų.
- Naudodami vielinius, disko formos šepetėlius, VISADA naudokite apsauginį gaubtą, kuriame tilptų atitinkamo skersmens diskas. Naudojimo metu diskas gali subyrėti, o apsauginis gaubtas sumažina galimybę susižeisti.

► **Pav.21:** 1. Vielinis, disko formos šepetėlis

Išjunkite įrankį iš maitinimo tinklo ir padėkite jį apvestai, kad galėtumėte lengvai pasiekti veleną. Nuimkite nuo veleno visus priedus. Užsukite vielinį, disko formos šepetėlį ant veleno ir priveržkite veržliarakčiais. Naudodami vielinį, disko formos šepetėlį, pernelyg nespauskite, kad vielėlės nesulinktų ir nesulūžtų pirma laiko.

TECHNINĖ PRIEŽIŪRA

⚠ PERSPĖJIMAS:

- Prieš apžiūrėdami ar taisydami įrenginį visada patikrinkite, ar jis išjungtas, o laido kištukas - ištrauktas iš elektros lizdo.
- Niekada nenaudokite gazolino, benzino, tirpiklio, spirito arba panašių medžiagų. Gali atsirasti išblukimų, deformacijų arba įtrūkimų.

► **Pav.22:** 1. Oro išmetimo anga 2. Oro įtraukimo anga

Prižiūrėkite, kad įrankis ir jo oro angos būtų švarios. Reguliariai išvalykite įrankio oro angas arba kai angos pradeda kimštis.

Kad gaminyt būtų SAUGUS ir PATIKIMAS, jį taisyti, apžiūrėti, keisti anglinius šepetėlius, atlikti techninės priežiūros darbus arba reguliuoti turi įgaliotasis kompanijos „Makita“ techninės priežiūros centras; reikia naudoti tiksliai kompanijos „Makita“ pagamintas atsargines dalis.

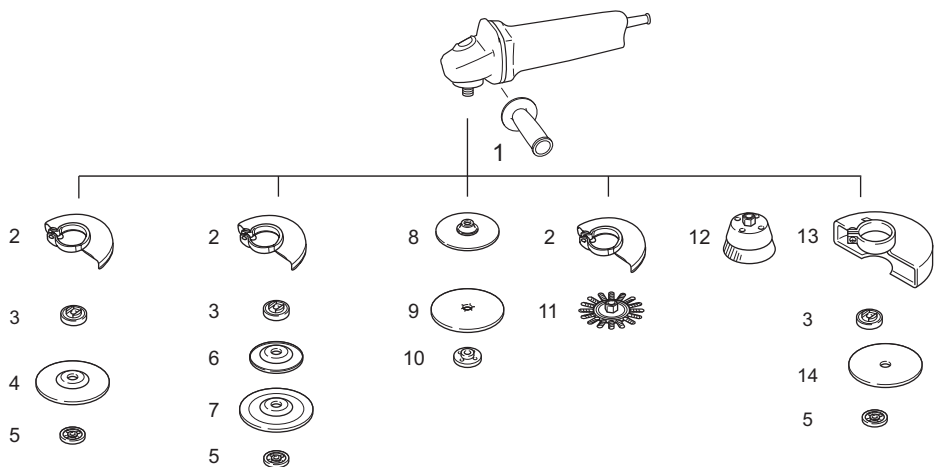
PASIRENKAMI PRIEDAI

⚠ PERSPĖJIMAS:

- Su šiaime vadove aprašytu įrenginiu „Makita“ rekomenduojama naudoti tik nurodytus priedus ir papildomus įtaisus. Jeigu bus naudojami kito-kie priedai ar papildomi įtaisai, gali būti sužaloti žmonės. Priedus arba papildomus įtaisus naudokite tik pagal paskirtį.

Jeigu norite daugiau sužinoti apie tuos priedus, kreipkitės į artimiausią „Makita“ techninės priežiūros centrą.

- Dulkių dangčio priedas



	100 mm (4 col.) modelis	115 mm (4-1/2 col.) modelis	125 mm (5 col.) modelis	150 mm (6 col.) modelis
1	Rankena 36			
2	Apsauginis gaubtas (šlifavimo diskui)			
3	Vidinis kraštas	Vidinis kraštas Super jungė *1	Vidinis kraštas Super jungė *1	Vidinis kraštas Super jungė *1
4	Diskas su įgaubtu centru / poliravimo diskas			
5	Fiksavimo galvutė	Fiksavimo galvutė Veržlė „Ezynut“ *2	Fiksavimo galvutė Veržlė „Ezynut“ *2	Fiksavimo galvutė Veržlė „Ezynut“ *2
6	Plastmasinis padas	Plastmasinis padas	Plastmasinis padas	-
7	Lankstus ratukas	Lankstus ratukas	Lankstus ratukas	-
8	Guminis padas 76	Guminis padas 100	Guminis padas 115	Guminis padas 125
9	Šlifavimo diskas			
10	Šlifavimo antveržlė			
11	Vielinis, disko formos šepetėlis			
12	Vielinis, taurelės formos šepetėlis			
13	Apsauginis gaubtas (pjovimo diskui) *3			
14	Šlifuojamasis pjovimo diskas/deimantinis diskas			
-	Fiksavimo galvutės raktas			

Pastaba:

*1 Nenaudokite papildomos jungės su šlifuokliu, turinčiu stabdymo funkciją.

*2 Nenaudokite papildomos jungės ir veržlės „Ezynut“ kartu.

*3 Kai kuriose Europos šalyse naudojant deimantinį diską, vietoje specialaus apsauginio gaubto, dengiančio abu disko kraštus, galima naudoti įprastą apsauginį gaubtą. Vadovaukitės jūsų šalyje galiojančiomis taisyklėmis.

PASTABA:

- Kai kurie sąraše esantys priedai gali būti pateikti įrankio pakuotėje kaip standartiniai priedai. Jie įvairiose šalyse gali skirtis.

TEHNILISED ANDMED

Mudel	GA4040C	GA4041C	GA4540C	GA4541C	GA5040C / GA5040CN	GA5041C	GA6040C
Ketta läbimõõt	100 mm (4")		115 mm (4-1/2")		125 mm (5")		150 mm (6")
Maksimaalne ketta paksus	6,4 mm		7,2 mm				6,4 mm
Võlli keerrestus	M10		M14 või 5/8" (sõltuvalt riigist)				
Nominaalne pöörlemissagedus (n) / pöörlemissagedus koormuseta (n ₀)	11 000 min ⁻¹		11 000 min ⁻¹		11 000 min ⁻¹		9 000 min ⁻¹
Kogupikkus	303 mm	325 mm	303 mm	325 mm	303 mm	325 mm	303 mm
Netomass	2,3 kg	2,6 kg	2,5 kg	2,7 kg	2,5 kg	2,7 kg	2,6 kg
Kaitseklass	□/II						

- Meie jätkuva teadus- ja arendustegevuse programmi tõttu võidakse siin antud tehnilisi andmeid muuta ilma ette teatamata.
- Tehnilised andmed võivad olla riigiti erinevad.
- Kaal vastavalt EPTA protseduurile 01/2003

Kasutuse sihtotstarve

Tööriist on ette nähtud metallide ja kivimaterjali veeta käimiseks, lihvimiseks ja lõikamiseks.

Toiteallikas

Seadet võib ühendada ainult andmesildil näidatud pingele vastava pingega toiteallikaga ning seda saab kasutada ainult ühefaasilisel vahelduvvoolutoitel.

Seadmel on kahekordne isolatsioon ning seega võib seda kasutada ka ilma maandusjuhtmeta pistikupessa ühendatult.

Müra

Tüüpiline A-korrigeeritud müratase vastavalt EN60745:

Mudel GA4040C, GA4540C, GA5040C

Mürarõhutase (L_{PA}): 86 dB (A)

Müravõimsustase (L_{WA}): 97 dB (A)

Määramatus (K): 3 dB (A)

Mudel GA6040C

Mürarõhutase (L_{PA}): 87 dB (A)

Müravõimsustase (L_{WA}): 98 dB (A)

Määramatus (K): 3 dB (A)

Mudel GA4541C

Mürarõhutase (L_{PA}): 83 dB (A)

Müravõimsustase (L_{WA}): 94 dB (A)

Määramatus (K): 3 dB (A)

Mudel GA5041C

Mürarõhutase (L_{PA}): 84 dB (A)

Müravõimsustase (L_{WA}): 95 dB (A)

Määramatus (K): 3 dB (A)

Kandke kõrvakaitsmeid

Vibratsioon

Vibratsiooni koguväärtus (kolmeteljeliste vektorite summa) määratud vastavalt EN60745:

Mudel GA4040C

Töörežiim: pinna lihvimine tavalise külgkäepideme kasutamise

Vibratsioonitase (a_{h,AG}): 5,0 m/s²

Määramatus (K): 1,5 m/s²

Töörežiim: pinna lihvimine vibratsioonikindla külgkäepideme kasutamise

Vibratsioonitase (a_{h,AG}): 5,0 m/s²

Määramatus (K): 1,5 m/s²

Töörežiim: ketaslihvimine tavalise külgkäepideme kasutamise

Vibratsioonitase (a_{h,DS}): 3,0 m/s²

Määramatus (K): 1,5 m/s²

Töörežiim: ketaslihvimine vibratsioonikindla külgkäepideme kasutamise

Vibratsioonitase (a_{h,AG}): 2,5 m/s² või vähem

Määramatus (K): 1,5 m/s²

Mudel GA4540C

Töörežiim: pinna lihvimine tavalise külgkäepideme kasutamise

Vibratsioonitase (a_{h,AG}): 6,0 m/s²

Määramatus (K): 1,5 m/s²

Töörežiim: pinna lihvimine vibratsioonikindla külgkäepideme kasutamise

Vibratsioonitase (a_{h,AG}): 5,5 m/s²

Määramatus (K): 1,5 m/s²

Töörežiim: ketaslihvimine tavalise külgkäepideme kasutamise

Vibratsioonitase (a_{h,AG}): 2,5 m/s²

Määramatus (K): 1,5 m/s²

Töörežiim: ketaslihvimine vibratsioonikindla külgkäepideme kasutamise

Vibratsioonitase (a_{h,DS}): 2,5 m/s²

Määramatus (K): 1,5 m/s²

Mudel GA5040C

Töörežiim: pinna lihvimine tavalise külgkäepideme kasutamise

Vibratsioonitase (a_{h,AG}): 6,5 m/s²

Määramatus (K): 1,5 m/s²

Töörežiim: pinna lihvimine vibratsioonikindla külgkäepideme kasutamise

Vibratsioonitase (a_{h,AG}): 5,5 m/s²

Määramatus (K): 1,5 m/s²

Töörežiim: ketaslihvimine tavalise külgkäepideme kasutamise

Vibratsioonitase (a_{h,DS}): 2,5 m/s²

Määramatus (K): 1,5 m/s²

Töörežiim: ketaslihvimine vibratsioonikindla külgkäepideme kasutamise

Vibratsioonitase (a_{h,DS}): 2,5 m/s²

Määramatus (K): 1,5 m/s²

Mudel GA6040C

Töörežiim: pinna lihvimine tavalise külgkäepideme kasutamise

Vibratsioonitase ($a_{h,AG}$): 6,5 m/s²

Määramatus (K): 1,5 m/s²

Töörežiim: pinna lihvimine vibratsioonikindla

külgkäepideme kasutamise

Vibratsioonitase ($a_{h,AG}$): 6,0 m/s²

Määramatus (K): 1,5 m/s²

Töörežiim: ketaslihvimine tavalise külgkäepideme kasutamise

Vibratsioonitase ($a_{h,DS}$): 2,5 m/s²

Määramatus (K): 1,5 m/s²

Töörežiim: ketaslihvimine vibratsioonikindla külgkäepideme kasutamise

Vibratsioonitase ($a_{h,DS}$): 2,5 m/s² või vähem

Määramatus (K): 1,5 m/s²

Mudel GA4541C

Töörežiim: pinna lihvimine tavalise külgkäepideme kasutamise

Vibratsioonitase ($a_{h,AG}$): 6,5 m/s²

Määramatus (K): 1,5 m/s²

Töörežiim: pinna lihvimine vibratsioonikindla

külgkäepideme kasutamise

Vibratsioonitase ($a_{h,AG}$): 5,5 m/s²

Määramatus (K): 1,5 m/s²

Töörežiim: ketaslihvimine tavalise külgkäepideme kasutamise

Vibratsioonitase ($a_{h,DS}$): 2,5 m/s² või vähem

Määramatus (K): 1,5 m/s²

Töörežiim: ketaslihvimine vibratsioonikindla külgkäepideme kasutamise

Vibratsioonitase ($a_{h,DS}$): 2,5 m/s² või vähem

Määramatus (K): 1,5 m/s²

Mudel GA5041C

Töörežiim: pinna lihvimine tavalise külgkäepideme kasutamise

Vibratsioonitase ($a_{h,AG}$): 7,0 m/s²

Määramatus (K): 1,5 m/s²

Töörežiim: pinna lihvimine vibratsioonikindla

külgkäepideme kasutamise

Vibratsioonitase ($a_{h,AG}$): 6,0 m/s²

Määramatus (K): 1,5 m/s²

Töörežiim: ketaslihvimine tavalise külgkäepideme kasutamise

Vibratsioonitase ($a_{h,DS}$): 2,5 m/s² või vähem

Määramatus (K): 1,5 m/s²

Töörežiim: ketaslihvimine vibratsioonikindla külgkäepideme kasutamise

Vibratsioonitase ($a_{h,DS}$): 2,5 m/s² või vähem

Määramatus (K): 1,5 m/s²

MÄRKUS: Deklareeritud vibratsiooniemissiooni väärtus on mõõdetud kooskõlas standardse testimismeetodiga ning seda võib kasutada ühe seadme võrdlemiseks teisega.

MÄRKUS: Deklareeritud vibratsiooniemissiooni väärtust võib kasutada ka mürataseme esmaseks hindamiseks.

MÄRKUS: Deklareeritud vibratsiooni emissiooni väärtust kasutatakse lähtuvalt elektritööriista peamisest otstarbest. Kui tööriista kasutatakse muul otstarbel, võib vibratsiooni emissiooni väärtus olla erinev.

▲HOIATUS: Vibratsioonitase võib elektritööriista tegelikkuses kasutamise ajal erineda deklareeritud väärtusest sõltuvalt tööriista kasutamise viisidest.

▲HOIATUS: Rakendage kindlasti operaatori kaitsmiseks piisavaid ohutusabinõusid, mis põhinevad hinnangulisel müratasemel tegelikus tööolukorras (võttes arvesse tööperioodi kõik osad nagu näiteks korrad, mil seade lülitatakse välja ja mil seade töötab tühikäigul, lisaks tööajale).

Ainult Euroopa riigid

EÜ vastavusdeklaratsioon

Makita deklareerib, et alljärgnev(ad) masin(ad):

Masina tähistus:

Nurklihvikävi

Mudeli nr/tüüp: GA4040C, GA4540C, GA5040C, GA6040C, GA4541C, GA5041C

Vastavad alljärgnevalele Euroopa Parlamendi ja nõukogu direktiividele:

2006/42/EC

Need on toodetud vastavalt järgmistele standarditele või standardiseeritud dokumentidele:

EN60745

Tehniline fail, mis on kooskõlas direktiiviga 2006/42/EÜ, on saadaval ettevõttes:

Makita, Jan-Baptist Vinkstraat 2, 3070, Belgia

1.2.2016

Yasushi Fukaya
Direktor

Makita, Jan-Baptist Vinkstraat 2, 3070, Belgia

Üldised elektritööriistade ohutusohiatused

▲HOIATUS Lugege läbi kõik ohutusohiatused ja juhised. Hoiatuste ja juhiste mittejärgimine võib põhjustada elektrišokki, tulekahju ja/või tõsisid vigastusi.

Hoidke alles kõik hoiatused ja juhised edaspidisteks viideteks.

Lihvija ohutusnõuded

Turvahoiatused. Tavalised turvahoiatused lihvimiseks, poleerimiseks, terasharjamiseks või abrasiivseteks löikeoperatsioonideks:

1. **See elektritööriist on mõeldud lihvimiseadme, poleerimiseadme, terasharja või lõiketööriistana kasutamiseks.** Lugege kõiki elektritööriistaga kaasasolevaid ohutus- ja kasutusjuhendeid ning tutvuge illustatsioonide ja tehniliste andmetega. Kõigi juhendite täpne järgimine ennetab elektrilöögi-, tulekahju ja/või vigastusohu.
2. **Selle elektritööriistaga ei soovitata poleerida.** Toimingud, milleks elektritööriist pole ette nähtud, võivad tekitada ohtliku olukorra ja põhjustada kehavigastusi.

3. **Ärge kasutage tarvikuid, mida tootja ei ole selle tööriista jaoks spetsiaalselt välja töötanud.** Tarviku elektritööriistale kinnitamise võimalus ei taga veel selle ohutut tööd.
 4. **Tarviku nimikiirus peab olema vähemalt võrdne elektritööriistale märgitud maksimaalse kiirusega.** Tarvikud, mis töötavad nimikiirusest suuremal kiirusel, võivad katki minna ja laiali lennata.
 5. **Tarviku välisdiameeter ja paksus peavad jääma Teie elektritööriista puhul ettenähtud parameetrite nimiaandmete vahemikku.** Valedel mõtudelga tarvikud ei ole tööriistas nõuetekohaselt kaitstud ega kontrolli all.
 6. **Tarvikute keermekinnitus peab vastama lihvmasina võlli keeme suurusele.** Äärikutega kinnitavate tarvikute korral peab tarviku võlliava sobima ääriku fikseeriva läbimõõduga. Tarvikud, mis ei sobitu elektritööriista paigaldusseadisega, kaotavad tasakaalu, hakkavad vibreerima ja võivad kaotada juhitavuse.
 7. **Ärge kasutage vigast lisatarvikut. Enne iga kasutust kontrollige, et lihvketastel ei oleks laaste ega mõrasid, et tugiketastel ei oleks mõrasid, rebendeid ega liigset kulumust, et terasharjade harjased ei oleks lahtised ega purunenud.** Kui elektritööriist või lisatarvik kukub maha, kontrollige, et see ei oleks kahjustunud, või paigaldage uus lisatarvik. Pärast lisatarviku kontrolli ja paigaldust minge koos kõrvalseisjatega pöörlevast lisatarvikust eemale ja käituge elektritööriista maksimaalsel koormusvabal kiirusel üheks minutiks. Kahjustatud lisatarvikud lähevad tavaliselt selle testi ajal katki.
 8. **Kandke isiklikku kaitsevarustust. Rakendusest olenevalt kandke näokaitset, kaitseprille või pillice. Vajaduse korral kandke tolumaski, kõvaklappe, kindaid ja põlde, mis suudab kaitsta väikeste abrasiivosakeste või töödeldava detaili kildude eest.** Silmakaitsemid peavad kaitsma töö käigus tekkivate lenduvate osakeste eest. Tolumask või respirator peab kaitsma töö käigus tekkivate filtreeruvate osakeste eest. Alaline kokkupuude suure müraga võib põhjustada kuulmiskahjustuse.
 9. **Hoidke kõrvalseisjad tööalast turvalises kauguses. Kõik, kes sisenevad tööalasse, peavad kandma kaitsevarustust.** Töödeldava detaili või tarvikute osakesed võivad eemale lennata ja põhjustada vigastusi ka väljaspool vahetatud tööala.
 10. **Hoidke elektritööriista isoleeritud haardepindadest, kui töötate kohas, kus lõiketera võib sattuda kokkupuutesse varjatud juhtmete või seadme enda toitejuhtmega.** Voolu all oleva juhtmega kokkupuutesse sattunud lõiketera võib pingestada elektritööriista metallosi ning põhjustada kasutajale elektrilöögi.
 11. **Hoidke juhe pöörlevast tarvikust eemal.** Kontrolli kaotamisel võib juhe katkeda või kinni jääda, tõmmates käe või käsivarre pöörlevasse tarvikusse.
 12. **Ärge pange elektritööriista kunagi maha enne, kui tarviku liikumine pole täielikult peatunud.** Pöörlev tarvik võib pinnal liikumist jätkata ja põhjustada elektritööriista väljumise teie kontrolli alt.
 13. **Ärge käituge elektritööriista selle kandmise ajal.** Juhuslik kokkupuude pöörleva tarvikuga võib põhjustada riiete kinnijäämist ja tarviku kehasse tõmmata.
 14. **Puhastage elektritööriista õhuvaasid regulaarselt.** Mootori ventilaator tõmbab tolmu korpusesse ja metallitolmu liigne kogunemine võib põhjustada elektrohoitu.
 15. **Ärge kasutage seadet tuleohtlike materjalide lähedal.** Need materjalid võivad sädemetest süttida.
 16. **Ärge kasutage tarvikuid, mis nõuavad jahutusvedelike. Vee või teiste vedelate jahutusvahendite kasutamine võib põhjustada surmava elektrilöögi või -šoki.**
- Tagasilöökk ja vastavad hoiatused**
- Tagasilöökk on äkiline reaktsioon, kui pöörlev ketas, aluspadi, hari või mõni muu lisatarvik kiilib kinni või satub ootamatu takistuse otsa. Väändumine või pörkumine põhjustab kiiret pöörleva lisatarviku vääramist, mis omakorda sunnib ühenduspunkti juhitamatult elektritööriista pöörlema vastassuunas lisatarviku pöörlemise suunale. Näiteks kui abrasiivne ketas kiilib töödeldavas detaili kinni, võib kinnikiilumiskohta sisenevund lõikeketta serv materjali pinda tungida, mille tagajärjel hüppab lõikeketas välja või põhjustab tagasilöögi. Lõikeketas võib hüpata kasutaja poole või kasutajast eemale olenevalt ketta liikumissuunast kinnikiilumiskohas. Lihvkettad võivad neis tingimustes samuti puruneda.
- Tagasilöökk tekib elektritööriista vääramisajal ja/või mittevastava tööprotseduuri või -tingimuste korral ning on välditav, kui rakendate alljärgnevalt esitatud vastavaid ettevaatusabinõusid.
1. **Hoidke elektritööriistast tugevasti kinni ning seadke keha ja küünarnukk sellisesse asendisse, mis võimaldab tagasilöögile õigesti reageerida.** Kasutage alati abikäepidet, kui see on olemas, et tööriista käivitamisel tagasilöögi ja pöördemomendi vastumõju üle kontrolli saavutada. Asjakohaste ettevaatusabinõude rakendamisel saab operaator tagasilöögi ja pöördemomendi vastumõju kontrollida.
 2. **Ärge kunagi asetage kätt pöörleva tarviku lähedale.** Te võite tarvikult tagasilöögi saada.
 3. **Ärge viibige alas, kus elektritööriist võib tagasilöögi ajal liikuda.** Tagasilöökk paneb tööriista pörkkekohas ketta liikumissuunale vastupidises suunas liikuma.
 4. **Olge eriti ettevaatlik, kui töötlete nurki, teravaid servi jne. Vältige tarviku pörkumist esemete vastu.** Nurgad, teravad servad ja tagasipörkamine on tavaliselt nendeks turgeteks, mis võivad põhjustada pöörleva tarviku kinnijäämist, kontrolli kaotamist või tagasilööki.
 5. **Ärge kunagi seadistage puulõikeketeraga saeketti või hammastega saetera.** Sellised terad tekitavad sageli tagasilööki ja juhitavuse kadu.
- Spetsiaalsed turvahoiatused lihvimiseks ja abrasiivseteks lõikeoperatsioonideks:**
1. **Kasutage vaid kettatüüpe, mida teie elektritööriistale soovitatakse, ja valitud kettale mõeldud spetsiaalset piiret.** Kettaid, mille jaoks elektritööriist ei olnud mõeldud, ei saa piisavalt kaitsta ja need ei ole turvalised.
 2. **Õhema keskosaga lihvketaste lihvpind peab jääma kaitsepiirde tasapinnalt allapoole.** Kui ketas on valesti paigaldatud ja ulatub kaitsepiirde tasapinnast välja, ei ole võimalik seda piisavalt kaitsta.
 3. **Kaitsepiire kinnitatakse tugevasti elektritööriista külge ja seadistatakse maksimaalselt ohutust tagavasse asendisse nii, et lõikeketas jääks kasutajast võimalikult kaugemale.** Piire aitab käitajat kaitsta purunenud kettatükkide, kettaga juhuslikku kokkupuutesse sattumise ja rõivaid süüdata võivate sädemete eest.

4. **Kettaid tohib kasutada ainult sellel ots-
tarbel, milleks need on mõeldud. Näiteks
ärge kasutage lõikeketta külge lihvimiseks.**
Abrasiivlõikekettad on ette nähtud äärepindade
lihvimiseks, nendele ketastele rakendatavad
kõlglõidud võivad ketta purustada.
5. **Kasutage ainult terveid kettaäärrikuid, mis on
valitud ketta jaoks sobiva suuruse ja kujuga.**
Sobivad kettaäärrikud toetavad ketta, vähenda-
des nii ketta purunemise ohtu. Lõikeketaste ääri-
kud võivad lihvketaste äärikutest erineda.
6. **Ärge kasutage suuremate elektritööriistade
kulunud kettaid.** Suurema elektritööriista jaoks
tehtud ketas ei sobi väiksema tööriista suurema
kiirusega ja võib katki minna.

Lisanduvad turvahoiatused abrasiivseteks lõikeoperatsioonideks:

1. **Ärge ummistage lõikeketast ega rakendage
liigset jõudu. Ärge püüdke teha liiga sügavat
lõiget.** Ketta ülepingestamine suurendab ketta
koormust ja vastuvõtlikkust väändumisele või
kinnijäämisele lõikes ning tagasilöögi esinemise
või ketta purunemise võimalust.
2. **Ärge seadke ennast ühele joonele lõigleva
lõikekettaga ega selle taha.** Kui ketas liigub
käituse ajal teie kehast eemale, võib tõenäoline
tagasilöökk pöördketast ja elektritööriista otse teie
suunas liigutada.
3. **Kui ketas kiilub kinni või lõikamine katkeb
mingil põhjusel, lülitage elektritööriist välja ja
hoidke tööriista liikumatult kuni ketta täieliku
seiskumiseni. Ärge kunagi püüdke eemaldada
lõikeketast lõikest, kui ketas liigub, sest võib
esineda tagasilöökk.** Selgitage välja ketta kinni-
jäämise põhjus ja rakendage asjakohast paran-
dusmeetet põhjuse kõrvaldamiseks.
4. **Ärge käivitage lõikamist töödeldavas detailis.**
Laske kettal saavutada täiskirius ja sisenege
uuesti hoolikalt lõikesse. Kui elektritööriist taas-
käivitatakse töödeldavas detailis, võib ketas kinni
jääda, ülespoole liikuda või põhjustada tagasilöögi.
5. **Vähendamaks ketta pitsumise ja tagasilöögi
ohtu, toestage paneelid või ülemõdulised
töödeldavad detailid.** Suured detailid hakkavad
painduma omaenese raskuse all. Toed tuleb pai-
gutada töödeldava detaili alla lõikejoone lähedale
ja tooriku serva lähedale ketta mõlemal küljel.
6. **Olge eriti ettevaatlik, kui teete „sukelduslõika-
mist“ olemasolevates seintes või muudes varja-
tud piirkondades.** Väljaulatav lõiketerra võib lõikuda
gaasi- või veetorudesse, elektrijuhtmetesse või
muudesse esemetesse ning põhjustada tagasilöögi.

Poleerimistööde turvahoiatused:

1. **Ärge kasutage liiga suurte mõõtmetega poleer-
ketta paberit. Lihvpaberi valikul järgige tootjate
soovitusi.** Lihvklotsist kaugemale ulatuv suurem
lihvpaper on rebenemisohtlik ja võib põhjustada
ketta kinnijäämist, purunemist või tagasilööki.

Terasharjamise operatsioonide turvahoiatused:

1. **Arvestage sellega, et hari viskab traatharjaseid
eemale ka tavakäituse ajal. Ärge avaldage
terastraatidele liigset pinget harjale liigse
koormuse rakendamisega.** Terasharjased võivad
lihtsalt kergesse rõivastusse ja/või nahka tungida.

2. **Kui terasharjamisel soovitatakse kasutada
piiret, ärge laske teraskettal ega -harjal piirdega
kokku puutuda.** Terasketas või -hari võib töökoor-
muse ja sentrifugaaljõu tõttu läbimõõdult laieneda.

Lisaturvahoiatused:

1. **Kui kasutate nõgusa keskosaga lihvketaid,
veenduge, et kasutate ainult klaaskiuga tugev-
datud kettaid.**
2. **ÄRGE KUNAGI kasutage selle lihvijaga koos
kausslihvkettaid.** Seda lihvijat ei kasutata koos
nimetatud ketastega, sest need võivad põhjustada
tõsise kehavigastuse.
3. **Ärge vigastage võlli, äärikut (eriti selle paigaldus-
pinda) ega fiksaatormutrit.** Nende osade kahjus-
tused võivad põhjustada ketta purunemise.
4. **Veenduge, et lihvketas ei puutuks enne töö-
riista sisselülitamist vastu töödeldavat detaili.**
5. **Enne tööriista kasutamist tegelikus töökesk-
konnas laske sellel mõni aeg koormusteta
töötada.** Jälgige vibratsiooni või vibamist, mis
võib tähendada ebaõiget paigaldust või halv-
vasti tasakaalustatud ketta.
6. **Lihvige selleks ette nähtud kettapinna osaga.**
7. **Ärge jätke tööriista käima. Käivitage tööriist
ainult siis, kui hoiate seda käes.**
8. **Ärge puutuge töödeldavat detaili vahetult
pärast töötlemit; see võib olla väga kuum ja
põhjustada põletushaavu.**
9. **Ketta õigeks paigaldamiseks ja kasutamiseks
järgige valmistaja juhendeid.** Käsitsege ja
ladustage kettaid hoolikalt.
10. **Ärge kasutage suureauguliste lihvketaste
kinnitamiseks sobituspukse või adaptereid.**
11. **Kasutage ainult äärikuid, mis on mõeldud
kasutamiseks selle tööriistaga.**
12. **Tööriistade korral, kus kasutatakse keermes-
tatud auguga kettaid, jälgige, et ketta keermes-
pikkus oleks piisav vööliile kinnitamiseks.**
13. **Kontrollige, kas töödeldav detail on korralikult
kinnitatud.**
14. **Pöörake tähelepanu asjaolule, et ketas jätkab
pöörlemist ka pärast tööriista väljalülitamist.**
15. **Kui töökoht on äärmiselt kuum ja niiske või
tugevalt saastatud elektrit juhtiva tolmuga, siis
tuleb operatori ohutuse tagamiseks kasutada
lühisvoolukatset (30 mA).**
16. **Ärge kasutage tööriista asbesti sisaldavate
materjalide töötlemiseks.**
17. **Kui töötate lõikekettaga, siis kasutage alati
tolmueemaldusega kettakaitset, mis vastab
kohalikele eeskirjadele.**
18. **Lõikekettaid ei tohi külgsuunas suruda.**
19. **Ärge kasutage töötamise ajal riidest töökin-
daid.** Riidest kinnaste kiud võivad sattuda tööriista
sisse ja põhjustada tööriista purunemise.

HOIDKE JUHEND ALLES.

⚠ HOIATUS: ÄRGE UNUSTAGE järgida toote
ohutusnõudeid mugavuse või toote (korduskasu-
tamisega saavutatud) hea tundmise tõttu. **VALE
KASUTUS** võib kasutusjuhendi ohutuseeskirjade
eiramine või põhjustada tervisekahjustusi.

FUNKSIONAALNE KIRJELDUS

⚠ETTEVAATUST:

- Kandke alati hoolt selle eest, et tööriist oleks enne reguleerimist ja kontrollimist välja lülitatud ja vooluvõrgust lahti ühendatud.

Võllilukk

► **Joon.1:** 1. Võllilukk

⚠ETTEVAATUST:

- Ärge kasutage kunagi võllilukku ajal, mil võll veel liigub. See võib tööriista kahjustada.

Võlli pöörlemise takistamiseks vajutage võllilukku alati, kui paigaldate või eemaldate tarvikuid.

Lüliti talitus

► **Joon.2:** 1. Liugurlüliti

⚠ETTEVAATUST:

- Enne tööriista vooluvõrku ühendamist kontrollige alati, kas liuglüliti funktsioneerib nõuetekohaselt ja liigub liuglüliti tagaosa allavajutamisel tagasi asendisse „OFF” (Välja lülitatud).
- Pikemaajalisel kasutamisel saab kasutada mugavuse optimeerimiseks lukustada lüliti asendisse „ON” (Sisse lülitatud). Olge tööriista asendisse „ON” (Sisse lülitatud) lukustamisel ettevaatlik ja hoidke tööriista kindlalt käes.

Mudelile GA4040C, GA4041C, GA4540C, GA4541C, GA5040C, GA5041C, GA6040C

Tööriista käivitamiseks lükake liuglüliti asendi „I (ON)” (I (Sisse lülitatud)) suunas, vajutades liuglüliti tagaosa. Pidevkäitamiseks vajutage liuglüliti lukustamiseks selle esiosa.

Tööriista seiskamiseks vajutage liuglüliti tagaosa ja seejärel lükake lüliti asendi „O (OFF)” (O (Välja lülitatud)) suunas.

Mudelile GA5040CN

Tööriista käivitamiseks lükake liuglüliti asendisse „I (ON)” (I (Sisse lülitatud)).

Tööriista seiskamiseks vajutage liuglüliti asendisse „O (OFF)” (O (Välja lülitatud)).

Märgutuli

► **Joon.3:** 1. Näidiku tuli (kiiruse reguleerimise valik)

Märgutuli valgustub tööriista vooluvõrku ühendamisel roheliselt. Kui märgutuli ei valgustu, võib toitejuhe või kontrolleri olla vigane. Kui märgutuli on valgustunud, kuid tööriist ei käivitu ka sisselülitamisel, võib selle põhjuseks olla süsiharjade kulumine või kontrolleri, mootori või lüliti „ON” (Sisse lülitatud) / „OFF” (Välja lülitatud) rike.

Tahtmatu taaskäivitamise tõkestuse indikaator

Kui lüliti on lukustatud, ei käivitu tööriist ka siis, kui see on vooluvõrku ühendatud.

Sel juhul vilgub märgutuli punaselt, mis osutab sellele, et tahtmatu taaskäivitamise tõkestuse funktsioon on aktiveeritud.

Tahtmatu taaskäivitamise tõkestuse inaktiveerimiseks lükake liuglüliti asendisse „O (OFF)” (O (Välja lülitatud)).

Kiiruseregulaator

► **Joon.4:** 1. Kiiruseregulaator

Pöörlemiskiirust saab muuta, kui pöörata kiiruse regulaatorketast numbritele 1-st 5-ni.

Kiirus suureneb, kui ketas osutab numbrile 5. Kiirus väheneb, kui ketast pöörata number 1 suunas.

Vaadake allpool toodud tabelit, mis selgitab ketalle märgitud numbre ja ligikaudse pöörlemiskiiruse vahelisi seoseid.

Mudelile GA4040C, GA4540C, GA5040C, GA5040CN, GA4041C, GA4541C, GA5041C

Number	min ⁻¹ (pööret minutis)
1	2 800
2	4 000
3	6 000
4	8 000
5	11 000

Mudelile GA6040C

Number	min ⁻¹ (pööret minutis)
1	4 000
2	5 000
3	6 000
4	7 000
5	9 000

⚠ETTEVAATUST:

- Mootor kuumeneb liialt, kui tööriista kaua aega katkestamatult madalal kiirusel kasutatakse. Tööriista selliselt kasutamine koormab mootori üle.
- Kiiruseregulaatorit saab keerata ainult numbrini 5 ja tagasi numbrini 1. Ärge kiiruseregulaatorit jõuga üle 5 või 1 keerata püüdkte, sest vastasel korral ei pruugi kiiruse reguleerimise funktsioon enam töötada.

Elektrooniline funktsioon

Elektroonilise funktsiooniga varustatud tööriistu on tänu järgmistele omadustele lihtne kasutada.

Püsikiiruse juhtimine

Püsikiiruse juhtimine tagab suurepärase töötuse, hoides pöörlemiskiirust koormuse rakendamisel ühtlasena.

Sujuvkäivituse funktsioon

Sujuvkäivituse funktsioon surub käivituslöögi alla.

Ülekoormuse kaitse

Kui tööriista koormus ületab lubatava taseme, siis vähendatakse mootori võimsust, kaitsmaks seda ülekuumenemise eest. Kui koormuse lubatav tase taastub, töötab tööriist tavapäraselt.

Mehhaaniline pidur

Mudelile **GA4041C, GA4541C, GA5041C**

Mehhaaniline pidur aktiveeritakse pärast tööriista väljalülitamist.

Kui elektrivarustus katkestatakse, kuid lüliti jääb endiselt sisselülitatud olekusse, siis pidur ei toimi.

KOKKUPANEK

⚠ **ETTEVAATUST:**

- Kandke alati enne tööriistal mingite tööde teostamist hoolet selle eest, et see oleks välja lülitatud ja vooluvõrgust lahti ühendatud.

Külgkäepideme (käepide) paigaldamine

► **Joon.5**

⚠ **ETTEVAATUST:**

- Enne tööd kontrollige alati, kas külgkäepide on kindlalt paigaldatud.

Kruvige külgkäepideme kindlalt oma kohale nii, nagu joonisel näidatud.

Kettakaitse (nõgusa keskosaga kettale, lamellkettale, painduvale kettale, ketastraatharjale, lihvkettale, teemantkettale) paigaldamine või eemaldamine

⚠ **HOIATUS:**

- Kui kasutate nõgusa keskosaga ketast, lamellketast, painduvat ketast või ketastraatharja, tuleb kettakaitse paigaldada tööriista külge nii, et kaitsme kinnine külg jääks alati operaatori poole.
- Kui kasutate lihvimis-/teemantketast, siis kasutage kindlasti ainult spetsiaalset kettakaitset, mis on loodud kasutamiseks löikeketastega. (Mõnes Euroopa riigis võib teemantketta puhul kasutada tavalist kettakaitset. Järgige oma riigis kehtivaid eeskirju.)

Lukustuskruvi tüüpi kettapiirdega tööriista kohta

► **Joon.6:** 1. Kettapiire 2. Laagriümbris 3. Kruvi

Paigaldage kettakaitse sellisel, et kettakaitsme klambri eendid oleksid laagriümbrise sälkudega kohakuti. Seejärel pöörake kettakaitset 180° vastupäeva. Pärast paigaldust pingutage kindlasti kruvi hoolikalt.

Kettapiirde eemaldamiseks, järgige paigaldamise protseduuri vastupidises järjekorras.

Klamberhoova tüüpi kettapiirdega tööriista kohta

► **Joon.7:** 1. Kettapiire 2. Laagriümbris 3. Kruvi 4. Hoob

Tõmmake hooba pärast kruvi lödvendamist noole suunas. Paigaldage kettakaitse sellisel, et kettakaitsme klambri eendid oleksid laagriümbrise sälkudega kohakuti. Seejärel pöörake kettakaitset 180°.

► **Joon.8:** 1. Kruvi 2. Hoob

Pingutage kettakaitset koos kruvi kinnitamisega pärast hoova tõmbamist noole suunas. Kettakaitsme seadistusnurka saab hooba abil reguleerida.

Kettapiirde eemaldamiseks, järgige paigaldamise protseduuri vastupidises järjekorras.

Nõgusa keskosaga ketta või lamellketta (lisavarustus) paigaldamine või eemaldamine

⚠ **HOIATUS:**

- Kui kasutate nõgusa keskosaga ketast või lamellketast, tuleb kettakaitse paigaldada tööriista külge nii, et kaitsme kinnine külg jääks alati operaatori poole.

► **Joon.9:** 1. Fiksaatormutter 2. Lohkus keskosaga ketas 3. Sisemine flanš

Paigaldage sisemine flanš võllile. Sobitage ketas sisemisele flanšile ja keerake fiksaatormutter võllile.

► **Joon.10:** 1. Fiksaatormutri võti 2. Võllilukk

Fiksaatormutri pingutamiseks suruge tugevalt võlli lukustusnuppu nii, et võll ei saaks pöörelda ning pingutage fiksaatormutrit fiksaatormutri jaoks ettenähtud võtmega päripäeva.

Ketta eemaldamiseks, järgige paigaldamise protseduuri vastupidises järjekorras.

Superäärik (lisavarustus)

Tähena „F“ märgistatud mudelitel on superäärik standardvarustuses. Võrreldes tavalist tüüpi mutritega vajate fiksaatormutri avamisel kolm korda vähem jõudu.

⚠ **ETTEVAATUST:**

- Ärge kasutage superäärikut mudelitega, mis on varustatud mehhaanilise piduriga. Vastasel juhul võib see piduri aktiveerimisel lahti tulla.

Ezynuti (täiendav lisavarustus) paigaldamine või eemaldamine

⚠ **ETTEVAATUST:**

- Ärge kasutage Ezynuti koos superääriku või Makita nurklühvijaga, millel on mudelinumbri lõpus „F“. Need äärikud on väga paksud ja kogu keere ei kinnitu võllile.

► **Joon.11:** 1. Ezynut 2. Lihvketas 3. Sisemine flanš 4. Võll

Paigaldage siseäärik, lihvketas ja Ezynut võllile nii, et Makita logo jääks Ezynutil väljapoole.

► **Joon.12:** 1. Võllilukk

Vajutage tugevasti võllilukule ja kinnitage Ezynut, keermates lihvketast päripäeva lõpuni.

Avamiseks pöörake Ezynuti välisrõngast vastupäeva.

► **Joon.13:** 1. Nool 2. Salk

► **Joon.14**

MÄRKUS:

- Ezynuti saab avada käsitsi siis, kui nool osutab sälgule. Vastasel korral kasutage avamiseks mutrivõtit. Sisestage mutrivõtme üks sõrm avasse ja pöörake Ezynuti vastupäeva.

Painduva ketta (lisavarustus) paigaldamine ja eemaldamine

⚠ HOIATUS:

- Kasutage alati kaasasolevat kaitset, kui tööriistal on painduv ketas. Töötamise ajal võib ketas kildudeks puruneda ja kaitse aitab vähendada kehavigastuse esinemise võimalust.

► **Joon.15:** 1. Fiksaatormutter 2. Painduv ketas
3. Plastikust ketas 4. Sisemine flanš

Järgige nõgusa keskosaga ketta juhiseid, kuid kasutage kettal ka plastist tugiketast. Vaadake monteerimise järjekorda käesoleva kasutusjuhendi tarvikute leheküljelt.

Lihvketa (täiendav lisavarustus) paigaldamine või eemaldamine

MÄRKUS:

- Kasutage käesolevas kasutusjuhendis nimetatud lihvtarvikuid. Need tuleb osta eraldi.

► **Joon.16:** 1. Lihvimisketta kontramutter 2. Lihvketas
3. Kummist tugiketas

Paigaldage kummist tugiketas võllile. Sobitage ketas kummist tugiketale ja keerake lihvimise fiksaatormutter võllile. Lihvimise fiksaatormutrit pingutamiseks suruge tugevalt võlli lukustusnuppu nii, et võll ei saaks pöörelda ning pingutage fiksaatormutrit fiksaatormutri jaoks ettenähtud võtmega päripäeva.

Ketta eemaldamiseks järgige paigaldamise protseduuri vastupidises järjekorras.

Tolmukatte mooduli (lisatarvik) paigaldamine või eemaldamine

⚠ HOIATUS:

- Enne tolmuksaite mooduli paigaldamist või eemaldamist veenduge alati, et tööriist on välja lülitatud ja vooluvõrgust lahti ühendatud. Selle nõude eiramine võib põhjustada tööriista kahjustuse või kehavigastuse.

Tolmukatte mooduleid on nelja tüüpi, neid kõiki kasutatakse erinevates asendites.

► **Joon.17:** 1. Märgis A 2. Märgis B 3. Märgis C
4. Märgis D

Seedke tolmuksaite moodul niimoodi, et märgistus (A, B, C või D) asetseks joonisel näidatud viisil. Kinnitage selle tihvtid plöksatades õhuavadesse.

Tolmukatte moodulit saab eemaldada käega.

MÄRKUS:

- Puhastage tolmuksaite moodul, kui see on tolmu või võõrkehadega ummistunud. Ummistunud tolmuksaite mooduliga töö jätkamine kahjustab tööriista.

TÖÖRIISTA KASUTAMINE

⚠ HOIATUS:

- Ärge kasutage tööriista suhtes kunagi jõudu. Tööriista enda raskus annab piisava surve. Ülemäärane surumine ja surve võivad põhjustada ohtliku ketta purunemise.
- Vahetage ALATI ketas välja siis, kui tööriist on käimise ajal maha kukkunud.
- ÄRGE KUNAGI käiketast lööge vastu töödeldavat detaili.
- Vältige ketta kinikiilumist ja pörkimist vastu töödeldavat pinda, eriti siis, kui töötate nurkades ja teravate servadega jne. See võib põhjustada ohtlike tagasilööke.
- Ärge kasutage tööriista puude saagimise saelehtedega ega muude saelehtedega. Selliste saelehtede kasutamisel lihvijaga need annavad sageli tagasilöögi ja toovad endaga kaasa kontrolli kadumise, mis viib vigastuste tekkimiseni.

⚠ ETTEVAATUST:

- Ärge kunagi käivitage tööriista, mis on kontaktis töödeldava pinna või detailiga, see võib kaasa tuua ohtlike vigastusi.
- Kandke töö juures alati kaitseprille või näokatet.
- Pärast tööd lülitage tööriist alati välja ja oodake kuni ketas on täielikult seiskunud enne, kui tööriista käest panete.

Käimise ja lihvimise režiim

► **Joon.18**

Hoidke tööriista ALATI kindlalt ühe käega korpusest ja teisega alülgkäepidemest. Lülitage tööriist sisse ja seejärel asetage ketas töödeldavale detailile.

Üldiselt hoidke ketta serva umbes 15° nurga all töödeldava detaili pinna suhtes.

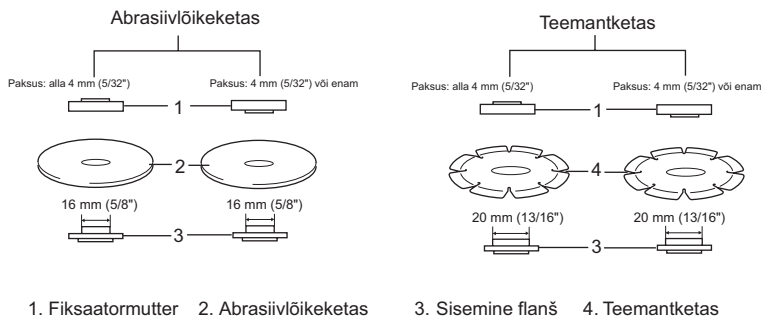
Uue ketta sissetöötamise perioodil ärge töötage lihvijaga B suunas, sest vastasel juhul hakkab see töödeldavasse detaili sisse lõikama. Kui ketta serv on töö käigus ümardunud, võib keta kasutada mõlemas, nii A kui ka B suunas.

Lihvketa/teemantketa (täiendav lisavarustus) käitamine

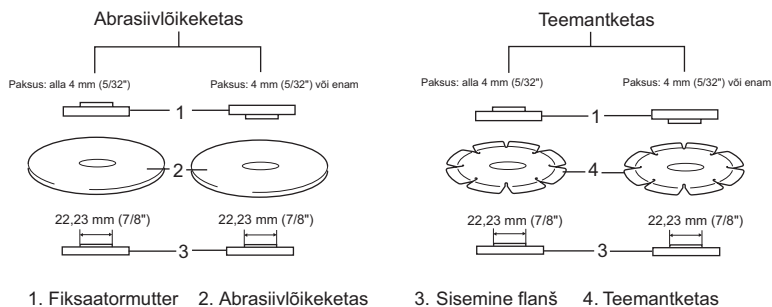
► **Joon.19:** 1. Fiksaatormutter 2. Lihvketa/teemantketa 3. Sisemine flanš 4. Lihvketa/teemantketa kettakaitse

Kontramutri ja sisemise flanši paigaldussuund sõltub ketta paksumusest. Täpsemad andmed leiate alltoodud tabelist.

100 mm (4") mudel



115 mm (4-1/2") / 125 mm (5") / 150 mm (6") mudel



⚠ HOIATUS:

- Kui kasutate lihvimis-/teemantketast, siis kasutage kindlasti ainult spetsiaalset kettakaitset, mis on loodud kasutamiseks lõikeketastega. (Mõnes Euroopa riigis võib teemantketta puhul kasutada tavalist kettakaitset. Järgige oma riigis kehtivaid eeskirju.)
- ÄRGE KUNAGI** kasutage lõikeketast külglihvimiseks.
- Ärge „kiiluge“ lõikeketast ega rakendage liigset survet. Ärge püüdke teha ülemäärase sügavusega lõiget. Ketta ülesurvestamine suurendab koormust ja ketta väände või ühenduse tundlikkust lõikes ning tagasilöögi võimalust või ketta purunemist.
- Ärge käivitage töödeldava detaili lõikeoperatsiooni. Laske kettal jõuda täiskiirusele ja sisenegede hoolikalt lõikesse, liigutades tööriista üle töödeldava detaili pinna. Kui elektritööriist käivitatakse töödeldavas detailis, võib ketas võib kinni kiiluda, üles liikuda või tagasi pörkuda.
- Lõikeoperatsiooni käigus ärge muutke kunagi ketta nurka. Lõikeketastele külgsurve rakendamine (nagu lihvimisel) põhjustab ketta mõranemise ja purunemise, mis võib kaasa tuua tõsiseid vigastusi.
- Teemantketast tuleb kasutada lõigatava materjali suhtes ristloodis.

Traatidega kaussharja (täiendav lisavarustus) käitamine

⚠ ETTEVAATUST:

- Kontrollige harja tööd, lastes tööriistal tühjalt käia ja kandes hoolt, et keegi ei asuks harja ees või sellega ühel joonel.
- Ärge kasutage kahjustatud või balansseerimata harja. Kahjustatud harja kasutamine võib suurendada harja katkiste terasharjaste põhjustatud vigastusohu.

► Joon.20: 1. Traatidega kausshari

Tõmmake tööriist vooluvõrgust välja ja asetage see tagurpidi, et pääseksite võlliile kergesti ligi. Eemaldage võlliilt kõik tarvikud. Paigaldage terashari võlliile ja keerake kaasasoleva mutrivõtmega kinni. Vältige harja kasutamisel liigse jõu rakendamist, sest see võib painutada harjaseid ja põhjustada seeläbi enneaegset kulumist.

Ketastraatharja (täiendav lisavarustus) käitamine

⚠ETTEVAATUST:

- Kontrollige ketastraatharja tööd, lastes tööriistal tühjal käia ja kandes hoolt, et keegi ei asuks ketastraatharja ees või sellega ühel joonel.
- Ärge kasutage kahjustatud või balansseerimata ketastraatharja. Kahjustatud ketastraatharja kasutamine võib suurendada harja katkiste harjaste põhjustatud vigastusohu.
- Kasutage ketastraatharjadega töötamisel ALATI kaitset, valides ketta diameetrile sobiva suuruse. Kui ketas peaks töötamisel tükki purunema, aitab kaitse vigastusi vältida.

► **Joon.21: 1.** Ketastraathari

Tõmmake tööriist vooluvõrgust välja ja asetage tagurpidi, et pääseksite völli kergesti ligi. Eemaldage völli kõik tarvikud. Keerake ketastraathari völli ja kinnitage mutrivõtmega.

Vältige harja kasutamisel liigse jõu rakendamist, sest see võib painutada harjaseid ja põhjustada seeläbi enneaegset kulumist.

HOOLDUS

⚠ETTEVAATUST:

- Kandke alati enne kontroll- või hooldustöid teostamist hoolt selle eest, et tööriist oleks välja lüüritatud ja vooluvõrgust lahti ühendatud.
- Ärge kunagi kasutage bensiini, vedeldit, alkoholi ega midagi muud sarnast. Selle tulemuseks võib olla luitumine, deformatsioon või pragunemine.

► **Joon.22: 1.** Väljalaskeventiil **2.** Sissetõmbeventiil

Tööriist ja selle ventilatsioonivad peavad olema puhastatud. Puhastage tööriista ventilatsioonivahendid regulaarselt või siis, kui need hakkavad ummistuma.

Toote OHUTUSE JA TÕÕKINDLUSE säilimiseks tuleb vajalikud remonttööd, süsiharja kontrollimine ja väljavahetamine ning muud hooldus- ja reguleerimistööd lasta teha Makita volitatud teeninduskeskustes. Alati tuleb kasutada Makita varuosi.

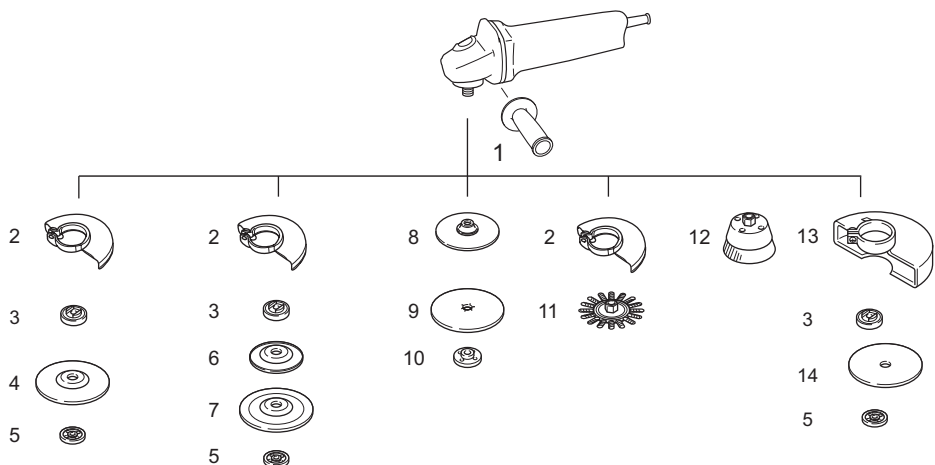
VALIKULISED TARVIKUD

⚠ETTEVAATUST:

- Neid tarvikuid ja lisaseadiseid on soovitatav kasutada koos Makita tööriistaga, mille kasutamist selles kasutusjuhendis kirjeldatakse. Muude tarvikute ja lisaseadiste kasutamisega kaasneb vigastada saamise oht. Kasutage tarvikuid ja lisaseadiseid ainult otstarvetel, milleks need on ette nähtud.

Saate vajadusel kohalikust Makita teeninduskeskusest lisateavet nende tarvikute kohta.

- Tolmukatte kinnitus



	100 mm (4") mudel	115 mm (4-1/2") mudel	125 mm (5") mudel	150 mm (6") mudel
1	Käepide 36			
2	Kettakaitse (lihvkettale)			
3	Sisemine flanš	Sisemine flanš Superflanš *1	Sisemine flanš Superflanš *1	Sisemine flanš Superflanš *1
4	Lohkus keskosaga ketas/lamellketas			
5	Fiksaatormutter	Fiksaatormutter Ezynut *2	Fiksaatormutter Ezynut *2	Fiksaatormutter Ezynut *2
6	Plastikust ketas	Plastikust ketas	Plastikust ketas	-
7	Painduv ketas	Painduv ketas	Painduv ketas	-
8	Kummist tugiketas nr 76	Kummist tugiketas nr 100	Kummist tugiketas nr 115	Kummist tugiketas nr 125
9	Lihvketas			
10	Lihvimisketta kontramutter			
11	Ketastraathari			
12	Traatidega kausshari			
13	Kettakaitse (lõikekettale) *3			
14	Lihvketas/teemantketas			
-	Fiksaatormutri võti			

Märkus:

*1 Ärge kasutage superäärikut koos lihvijaga, mis on varustatud pidurifunktsiooniga.

*2 Ärge kasutage koos superäärikut ja Ezynuti.

*3 Mõnes Euroopa riigis võib teemantketta puhul kasutada spetsiaalset, mõlemat ketta külge katva kettakaitset asemel tavalist kettakaitset. Järgige oma riigis kehtivaid eeskirju.

MÄRKUS:

- Mõned nimekirjas loetletud tarvikud võivad kuuluda standardvarustusse ning need on lisatud tööriista pakendisse. Need võivad riikide lõikes erineda.

ТЕХНИЧЕСКИЕ ХАРАКТЕРИСТИКИ

Модель	GA4040C	GA4041C	GA4540C	GA4541C	GA5040C / GA5040CN	GA5041C	GA6040C
Диаметр диска	100 мм (4")		115 мм (4-1/2")		125 мм (5")		150 мм (6")
Макс. толщина круга	6,4 мм			7,2 мм			6,4 мм
Резьба шпинделя	M10		M14 или 5/8" (зависит от страны)				
Номинальное число оборотов (n) / Число оборотов без нагрузки (n ₀)	11 000 мин ⁻¹		11 000 мин ⁻¹		11 000 мин ⁻¹		9 000 мин ⁻¹
Общая длина	303 мм	325 мм	303 мм	325 мм	303 мм	325 мм	303 мм
Вес нетто	2,3 кг	2,6 кг	2,5 кг	2,7 кг	2,5 кг	2,7 кг	2,6 кг
Класс безопасности	II/II						

- Благодаря нашей постоянно действующей программе исследований и разработок, указанные здесь технические характеристики могут быть изменены без предварительного уведомления.
- Технические характеристики могут различаться в зависимости от страны.
- Масса в соответствии с процедурой EPTA 01/2003

Назначение

Инструмент предназначен для шлифовки, зачистки и резки материалов из металла и камня без использования воды.

Питание

Подключайте данный инструмент только к тому источнику питания, напряжением которого соответствует напряжению, указанному на паспортной табличке. Инструмент предназначен для работы от источника однофазного переменного тока. Он имеет двойную изоляцию и поэтому может подключаться к розеткам без заземления.

Шум

Типичный уровень взвешенного звукового давления (A), измеренный в соответствии с EN60745:

Модель GA4040C, GA4540C, GA5040C

Уровень звукового давления (L_{рА}): 86 дБ (A)

Уровень звуковой мощности (L_{вА}): 97 дБ (A)

Погрешность (K): 3 дБ (A)

Модель GA6040C

Уровень звукового давления (L_{рА}): 87 дБ (A)

Уровень звуковой мощности (L_{вА}): 98 дБ (A)

Погрешность (K): 3 дБ (A)

Модель GA4541C

Уровень звукового давления (L_{рА}): 83 дБ (A)

Уровень звуковой мощности (L_{вА}): 94 дБ (A)

Погрешность (K): 3 дБ (A)

Модель GA5041C

Уровень звукового давления (L_{рА}): 84 дБ (A)

Уровень звуковой мощности (L_{вА}): 95 дБ (A)

Погрешность (K): 3 дБ (A)

Используйте средства защиты слуха

Вибрация

Суммарное значение вибрации (сумма векторов по трем осям) определяется по следующим параметрам EN60745:

Модель GA4040C

Рабочий режим: шлифование поверхности с использованием обычной боковой рукоятки

Распространение вибрации (a_{н,AG}): 5,0 м/с²

Погрешность (K): 1,5 м/с²

Рабочий режим: шлифование поверхности с использованием антивибрационной рукоятки

Распространение вибрации (a_{н,AG}): 5,0 м/с²

Погрешность (K): 1,5 м/с²

Рабочий режим: шлифование с использованием обычной боковой рукоятки

Распространение вибрации (a_{н,DS}): 3,0 м/с²

Погрешность (K): 1,5 м/с²

Рабочий режим: шлифование с использованием противовибрационной боковой рукоятки

Распространение вибрации (a_{н,DS}): 2,5 м/с² или менее

Погрешность (K): 1,5 м/с²

Погрешность (K): 1,5 м/с²

Погрешность (K): 1,5 м/с²

Погрешность (K): 1,5 м/с²

Модель GA4540C

Рабочий режим: шлифование поверхности с использованием обычной боковой рукоятки

Распространение вибрации (a_{н,AG}): 6,0 м/с²

Погрешность (K): 1,5 м/с²

Рабочий режим: шлифование поверхности с использованием антивибрационной рукоятки

Распространение вибрации (a_{н,AG}): 5,5 м/с²

Погрешность (K): 1,5 м/с²

Погрешность (K): 1,5 м/с²

Рабочий режим: шлифование с использованием обычной боковой рукоятки

Распространение вибрации (a_{н,DS}): 2,5 м/с²

Погрешность (K): 1,5 м/с²

Погрешность (K): 1,5 м/с²

Рабочий режим: шлифование с использованием противовибрационной боковой рукоятки

Распространение вибрации (a_{н,DS}): 2,5 м/с²

Погрешность (K): 1,5 м/с²

Погрешность (K): 1,5 м/с²

Модель GA5040C

Рабочий режим: шлифование поверхности с использованием обычной боковой рукоятки

Распространение вибрации (a_{н,AG}): 6,5 м/с²

Погрешность (K): 1,5 м/с²

Погрешность (K): 1,5 м/с²

Рабочий режим: шлифование поверхности с использованием антивибрационной рукоятки

Распространение вибрации (a_{н,AG}): 5,5 м/с²

Погрешность (K): 1,5 м/с²

Погрешность (K): 1,5 м/с²

Рабочий режим: шлифование с использованием обычной боковой рукоятки

Распространение вибрации (a_{н,DS}): 2,5 м/с²

Погрешность (K): 1,5 м/с²

Погрешность (K): 1,5 м/с²

Рабочий режим: шлифование с использованием противовибрационной боковой рукоятки
Распространение вибрации ($a_{h,DS}$): 2,5 м/с²
Погрешность (K): 1,5 м/с²

Модель GA6040C

Рабочий режим: шлифование поверхности с использованием обычной боковой рукоятки
Распространение вибрации ($a_{h,AG}$): 6,5 м/с²
Погрешность (K): 1,5 м/с²

Рабочий режим: шлифование поверхности с использованием антивибрационной рукоятки
Распространение вибрации ($a_{h,AG}$): 6,0 м/с²
Погрешность (K): 1,5 м/с²

Рабочий режим: шлифование с использованием обычной боковой рукоятки
Распространение вибрации ($a_{h,DS}$): 2,5 м/с²
Погрешность (K): 1,5 м/с²

Рабочий режим: шлифование с использованием противовибрационной боковой рукоятки
Распространение вибрации ($a_{h,DS}$): 2,5 м/с² или менее

Погрешность (K): 1,5 м/с²

Модель GA4541C

Рабочий режим: шлифование поверхности с использованием обычной боковой рукоятки
Распространение вибрации ($a_{h,AG}$): 6,5 м/с²
Погрешность (K): 1,5 м/с²

Рабочий режим: шлифование поверхности с использованием антивибрационной рукоятки
Распространение вибрации ($a_{h,AG}$): 5,5 м/с²
Погрешность (K): 1,5 м/с²

Рабочий режим: шлифование с использованием обычной боковой рукоятки
Распространение вибрации ($a_{h,DS}$): 2,5 м/с² или менее

Погрешность (K): 1,5 м/с²

Рабочий режим: шлифование с использованием противовибрационной боковой рукоятки
Распространение вибрации ($a_{h,DS}$): 2,5 м/с² или менее

Погрешность (K): 1,5 м/с²

Модель GA5041C

Рабочий режим: шлифование поверхности с использованием обычной боковой рукоятки
Распространение вибрации ($a_{h,AG}$): 7,0 м/с²
Погрешность (K): 1,5 м/с²

Рабочий режим: шлифование поверхности с использованием антивибрационной рукоятки
Распространение вибрации ($a_{h,AG}$): 6,0 м/с²
Погрешность (K): 1,5 м/с²

Рабочий режим: шлифование с использованием обычной боковой рукоятки
Распространение вибрации ($a_{h,DS}$): 2,5 м/с² или менее

Погрешность (K): 1,5 м/с²

Рабочий режим: шлифование с использованием противовибрационной боковой рукоятки
Распространение вибрации ($a_{h,DS}$): 2,5 м/с² или менее

Погрешность (K): 1,5 м/с²

ПРИМЕЧАНИЕ: Заявленное значение распространения вибрации измерено в соответствии со стандартной методикой испытаний и может быть использовано для сравнения инструментов.

ПРИМЕЧАНИЕ: Заявленное значение распространения вибрации можно также использовать для предварительных оценок воздействия.

ПРИМЕЧАНИЕ: Заявленное значение распространения вибрации относится к основным операциям, выполняемым с помощью электроинструмента. Однако если электроинструмент используется для других целей, уровень вибрации может отличаться.

⚠ОСТОРОЖНО: Распространение вибрации во время фактического использования электроинструмента может отличаться от заявленного значения в зависимости от способа применения инструмента.

⚠ОСТОРОЖНО: Обязательно определите меры безопасности для защиты оператора, основанные на оценке воздействия в реальных условиях использования (с учетом всех этапов рабочего цикла, таких как выключение инструмента, работа без нагрузки и включение).

Только для европейских стран

Декларация о соответствии ЕС

Makita заявляет, что следующее устройство (устройства):

Обозначение устройства:

Угловая шлифмашина

Модель / тип: GA4040C, GA5040C, GA6040C, GA4541C, GA5041C

Соответствует (-ют) следующим директивам ЕС:
2006/42/EC

Изготовлены в соответствии со следующим стандартом или нормативными документами:

EN60745

Технический файл в соответствии с документом

2006/42/EC доступен по адресу:

Makita, Jan-Baptist Vinkstraat 2, 3070, Belgium

1.2.2016



Ясуси Фукайа (Yasushi Fukaya)

Директор

Makita, Jan-Baptist Vinkstraat 2, 3070, Belgium

Общие рекомендации по технике безопасности для электроинструментов

⚠ ПРЕДУПРЕЖДЕНИЕ Ознакомьтесь со всеми инструкциями и рекомендациями по технике безопасности. Невыполнение инструкций и рекомендаций может привести к поражению электротоком, пожару и/или тяжелым травмам.

Сохраните брошюру с инструкциями и рекомендациями для дальнейшего использования.

Правила техники безопасности при эксплуатации шлифмашины

Общие предупреждения о правилах техники безопасности при выполнении шлифования, зачистки проволочной щеткой или абразивной резки:

1. Данный электроинструмент предназначен для шлифования, зачистки проволочной щеткой и абразивной резки. Ознакомьтесь со всеми представленными инструкциями по технике безопасности, указаниями, иллюстрациями и техническими характеристиками, прилагаемыми к данному электроинструменту. Несоблюдение каких-либо инструкций, указанных ниже, может привести к поражению электрическим током, пожару и/или серьезной травме.
2. Не рекомендуется пользоваться данным инструментом для выполнения таких операций, как полировка. Использование инструмента не по прямому назначению может привести к опасной ситуации и стать причиной травмы.
3. Не используйте принадлежности других производителей, не рекомендованные производителем данного инструмента. Даже если принадлежность удастся закрепить на инструменте, это не обеспечит безопасность эксплуатации.
4. Номинальная скорость принадлежности должна быть как минимум равна максимальной скорости, обозначенной на инструменте. При превышении номинальной скорости принадлежности она может разломиться на части.
5. Внешний диаметр и толщина принадлежности должны соответствовать номинальной мощности инструмента. Принадлежности, размер которых подобран неверно, не гарантируют безопасности и точности управления.
6. Резьбовые отверстия дополнительных принадлежностей должны совпадать с резьбой шпинделя шлифмашины. Для принадлежностей, устанавливаемых с помощью фланцев, отверстие для шпинделя на принадлежности должно соответствовать диаметру фланца. Принадлежности, не соответствующие монтажному креплению электроинструмента, приведут к разбалансировке, сильной вибрации и потере контроля.

7. Не используйте поврежденные принадлежности. Перед каждым использованием принадлежностей типа абразивных дисков проверяйте их на наличие сколов и трещин, проверяйте опорные фланцы на наличие трещин, задиrow или чрезмерного износа, а проволочные щетки - на наличие выпавших или сломанных проволочек. Если вы уронили инструмент или принадлежность, осмотрите их на предмет повреждений или установите исправную принадлежность. После осмотра и установки принадлежности встаньте в безопасном положении относительно плоскости вращения принадлежности (и проследите, чтобы это сделали окружающие) и включите инструмент на максимальной скорости без нагрузки на одну минуту. Поврежденная принадлежность обычно ломается в течение пробного периода.
8. Надевайте индивидуальные средства защиты. В зависимости от выполняемых операций используйте защитную маску или защитные очки. При необходимости надевайте респиратор, средство защиты органов слуха, перчатки и защитный передник для защиты от небольших частиц абразивных материалов или детали. Средства защиты органов зрения должны предохранять от летящих фрагментов, появляющихся при выполнении различных операций. Пылезащитная маска или респиратор должны обеспечивать фильтрацию пыли, возникающей во время работы. Продолжительное воздействие сильного шума может стать причиной потери слуха.
9. Посторонние лица должны находиться на безопасном расстоянии от рабочей зоны. Любой приближающийся к рабочему месту человек должен предварительно надеть индивидуальные средства защиты. Осколки заготовки или сломавшейся принадлежности могут разлететься и причинить травму даже на значительном удалении от рабочего места.
10. Если при выполнении работ существует риск контакта режущего инструмента со скрытой электропроводкой или собственным шнуром питания, держите электроинструмент только за специально предназначенные изолированные рукоятки. Контакт с проводом под напряжением может стать причиной поражения оператора током.
11. Располагайте шнур на расстоянии от вращающейся насадки. Если вы не удержите инструмент, возможно случайное разрезание или повреждение шнура, а также затягивание руки вращающейся принадлежностью.
12. Не кладите инструмент, пока принадлежность полностью не остановится. Вращающаяся насадка может коснуться поверхности, и вы не удержите инструмент.
13. Не включайте инструмент во время переноски. Случайный контакт с вращающейся принадлежностью может привести к защемлению одежды и притягиванию принадлежности к телу.
14. Регулярно прочищайте вентиляционные отверстия инструмента. Вентилятор электродвигателя засасывает пыль внутрь корпуса, а значительные отложения металлической пыли могут привести к поражению электрическим током.

15. **Не используйте инструмент вблизи горючих материалов.** Эти материалы могут воспламениться от искр.
16. **Не используйте принадлежности, требующие жидкостного охлаждения.** Использование воды или других охлаждающих жидкостей может привести к поражению электротоком.

Отдача и соответствующие предупреждения

Отдача – это мгновенная реакция на неожиданное застопоривание вращающегося диска, опорной подушки, щетки или другой принадлежности.

Зажимание или застопоривание вызывает резкий останов вращающейся принадлежности, что, в свою очередь, приводит к неконтролируемому рывку инструмента в направлении, противоположном вращению принадлежности в момент застревания. Например, если абразивный диск зажимается или прихватывается деталью, край диска, находящийся в точке заклинивания, может углубиться в поверхность детали, что приведет к выкатыванию или выскакиванию диска. Диск может совершить рывок в направлении оператора или обратно, в зависимости от направления перемещения диска в точке заклинивания. Также в этих условиях абразивные диски могут сломаться. Отдача – это результат неправильного использования электроинструмента и/или неправильных методов или условий работ, чего можно избежать, соблюдая нижеуказанные меры предосторожности.

1. **Крепко держите электроинструмент и располагайте свое тело и руки так, чтобы можно было сопротивляться силам отдачи. Обязательно пользуйтесь вспомогательной рукояткой (при наличии), чтобы обеспечить максимальный контроль над отдачей или крутящим моментом во время пуска.** Оператор способен справиться с крутящим моментом и силами отдачи при условии соблюдения соответствующих мер безопасности.
2. **Берегите руки от вращающейся насадки.** При отдаче насадка может задеть ваши руки.
3. **Не становитесь на возможной траектории движения инструмента в случае отдачи.** При отдаче инструмент сместится в направлении, противоположном вращению диска в момент застревания.
4. **Соблюдайте особую осторожность при обработке углов, острых краев и т. п. Не допускайте ударов и застревания принадлежности.** Углы, острые края и удары способствуют прихватыванию вращающейся принадлежности, которое приводит к выходу из-под контроля или отдаче.
5. **Не устанавливайте на инструмент пильную цепь, принадлежность для резьбы по дереву или пильный диск.** Такие пилы часто дают отдачу и приводят к потере контроля.

Специальные предупреждения о безопасности для операций шлифования и абразивной резки:

1. **Используйте диски только рекомендованных для вашего электроинструмента типов и специальные защитные приспособления, разработанные для выбранного диска.** Диски, не предназначенные для данного инструмента, не обеспечивают достаточную степень защиты и небезопасны.

2. **Шлифовальная поверхность дисков с утопленным центром должна быть установлена под плоской поверхностью кромки кожуха.** Для неправильно установленного диска, выступающего над плоской поверхностью кромки кожуха, надлежущая защита не гарантируется.
3. **Ограждение должно быть надежно закреплено на инструменте и расположено для обеспечения максимальной защиты таким образом, чтобы как можно меньший сегмент диска выступал наружу.** Кожух помогает обезопасить оператора от разлета осколков разрушившегося диска, случайного прикосновения к диску и искр, которые могут воспламенить одежду.
4. **Диски должны использоваться только по рекомендованному назначению. Например: не шлифуйте краем отрезного диска.** Абразивные отрезные диски предназначены для периферийного шлифования, и боковые усилия, приложенные к таким дискам, могут вызвать их разрушение.
5. **Обязательно используйте неповрежденные фланцы для дисков соответствующего размера и формы.** Подходящие фланцы поддерживают диск, снижая вероятность его повреждения. Фланцы для отрезных дисков могут отличаться от фланцев для шлифовальных дисков.
6. **Не используйте изношенные диски от более крупных электроинструментов.** Диски, предназначенные для более мощного электроинструмента, не подходят для высокоскоростного электроинструмента меньшей мощности и могут разломиться.

Дополнительные специальные предупреждения о безопасности для операций абразивной резки:

1. **Не “заклинивайте” отрезной диск и не прикладываете к нему чрезмерное давление. Не пытайтесь делать слишком глубокий разрез.** Перенапряжение диска увеличивает нагрузку и вероятность искривления или застревания диска в прорези, а также отдачи или поломки диска.
2. **Не становитесь на возможной траектории движения вращающегося диска и позади него.** Если во время работы диск движется от вас, то при отдаче вращающийся диск и инструмент может отбросить прямо на вас.
3. **Если диск застревает или процесс резания прерывается по другой причине, выключите электроинструмент и держите его неподвижно до полной остановки диска.** Не пытайтесь извлечь отрезной диск из разреза до полной остановки диска, в противном случае может возникнуть отдача. Выясните и устраните причину застревания диска.
4. **Не перезапускайте отрезной диск, пока он находится в детали. Дождитесь, пока диск разовьет максимальную скорость, и осторожно погрузите его в разрез.** Диск может застрять, отдача может отбросить его вверх или назад, если перезапустить электроинструмент непосредственно в детали.

5. Устанавливайте опоры под панели или большие детали, чтобы уменьшить риск застревания диска и возникновения отдачи. Большие детали имеют тенденцию к прогибанию под собственным весом. При резании таких панелей необходимо поместить опоры под разрезаемой деталью рядом с линией разреза и рядом с краем детали с обеих сторон диска.
6. Будьте особенно осторожны при выполнении врезки в существующих стенах или на других участках, недоступных для осмотра. Выступающая часть диска может перерезать газовые или водопроводные трубы, электропроводку или детали, что может вызвать отдачу.

Специальные инструкции по технике безопасности для выполнения операций шлифовки:

1. Не пользуйтесь наждачной бумагой слишком большого размера. При выборе наждачной бумаги следуйте рекомендациям производителя. Большие размеры наждачной бумаги, выступающей за края подложки, могут привести к разрыву бумаги, застреванию, разрыву шнура или отдаче.

Специальные инструкции по технике безопасности, относящиеся к операциям очистки проволоочной щетки:

1. Берегите проволоку, которые разлетаются от щетки даже в нормальном режиме работы. Не прикладывайте чрезмерное усилие на проволоку, слишком сильно нажимая на щетку. Проволока щетки может легко пробить одежду и/или кожу.
2. Если для работы по очистке проволоочными щетками рекомендуется использовать кожух, не допускайте контакта проволоочного диска или щетки с кожухом. Проволочный диск или щетка могут увеличиваться в диаметре под воздействием нагрузки и центробежных сил.

Дополнительные правила техники безопасности:

1. При применении дисков с утопленным центром используйте только диски, армированные стекловолоком.
2. **ЗАПРЕЩАЕТСЯ ИСПОЛЬЗОВАТЬ** с этим инструментом шлифовальные чашки для камня. Данная шлифмашина не предназначена для дисков такого типа, их использование может привести к тяжелой травме.
3. Будьте осторожны во избежание повреждения шпинделя, фланца (особенно его установочной поверхности) или контргайки. Повреждения этих деталей могут привести к поломке диска.
4. Перед включением выключателя убедитесь, что диск не касается детали.
5. Перед использованием инструмента на реальной детали дайте ему немного поработать вхолостую. Следите за вибрацией или биением, которые могут свидетельствовать о неправильной установке или плохой балансировке диска.

6. Для выполнения шлифования пользуйтесь соответствующей поверхностью диска.
7. Не оставляйте работающий инструмент без присмотра. Включайте инструмент только тогда, когда он находится в руках.
8. Сразу после окончания работ не прикасайтесь к обработанной детали. Она может быть очень горячей, что приведет к ожогам кожи.
9. Соблюдайте инструкции изготовителя по правильной установке и использованию дисков. Бережно обращайтесь с дисками и аккуратно храните их.
10. Не пользуйтесь отдельными переходными втулками или адаптерами для крепления абразивных дисков с большими отверстиями.
11. Пользуйтесь только фланцами, предназначенными для данного инструмента.
12. Для инструментов, предназначенных для использования дисков с резьбовым отверстием, убедитесь, что резба диска достаточна, чтобы диск можно было полностью завернуть на шпиндель.
13. Убедитесь, что обрабатываемая деталь имеет надлежащую опору.
14. Обратите внимание на то, что диск будет некоторое время вращаться после выключения инструмента.
15. Если в месте выполнения работ очень высокая температура и влажность или наблюдается большое количество токопроводящей пыли, используйте прерыватель цепи (30 мА) для обеспечения безопасности работ.
16. Не используйте инструмент на любых материалах, содержащих асбест.
17. При использовании отрезного диска, всегда работайте с защитным кожухом с патрубком для удаления пыли, установка которого необходима в соответствии с местными нормативными требованиями.
18. Не подвергайте отрезные круги какому-либо боковому давлению.
19. Не пользуйтесь тканевыми перчатками во время работы. Волокна от тканевых перчаток могут попасть в инструмент и привести к его поломке.

СОХРАНИТЕ ДАННЫЕ ИНСТРУКЦИИ.

▲ОСТОРОЖНО: НЕ ДОПУСКАЙТЕ, чтобы удобство или опыт эксплуатации данного устройства (полученный от многократного использования) доминировали над строгим соблюдением правил техники безопасности при обращении с этим устройством. НЕПРАВИЛЬНОЕ ИСПОЛЬЗОВАНИЕ инструмента или несоблюдение правил техники безопасности, указанных в данном руководстве, может привести к тяжелой травме.

ОПИСАНИЕ ФУНКЦИОНИРОВАНИЯ

ВНИМАНИЕ:

- Перед проведением регулировки или проверки работы инструмента всегда проверяйте, что инструмент выключен, а шнур питания вынут из розетки.

Фиксатор вала

► **Рис.1:** 1. Фиксатор вала

ВНИМАНИЕ:

- Никогда не задействуйте фиксатор вала при вращающемся шпинделе. Это может привести к повреждению инструмента.

Нажмите на фиксатор вала для предотвращения вращения шпинделя при установке или снятии дополнительных принадлежностей.

Действие выключателя

► **Рис.2:** 1. Ползунковый переключатель

ВНИМАНИЕ:

- Перед включением штекера инструмента в розетку питания, всегда проверяйте, что ползунковый переключатель работает надлежащим образом и возвращается в положение "ВЫКЛ" при нажатии на заднюю часть ползункового переключателя.
- Переключатель можно заблокировать в положении "ВКЛ" для удобства оператора при продолжительном использовании. Будьте осторожны при блокировке инструмента в положении "ВКЛ" и продолжайте крепко удерживать инструмент.

Для модели GA4040C, GA4041C, GA4540C, GA4541C, GA5040C, GA5041C, GA6040C

Для включения инструмента переместите ползунковый переключатель в положение "I (ВКЛ.)", нажав на заднюю часть переключателя. При продолжительном использовании нажмите на переднюю часть переключателя для его блокировки в нужном положении.

Для остановки инструмента нажмите на заднюю часть переключателя, после чего передвиньте его в положение "O" ("ВЫКЛ").

Для модели GA5040CN

Для включения инструмента подайте ползунковый переключатель в положение "I (ON)" (ВКЛ.).

Для выключения инструмента подайте ползунковый переключатель в положение "O (OFF)" (ВЫКЛ.).

Индикатор

► **Рис.3:** 1. Индикаторная лампа (шкала регулировки скорости)

При подключении инструмента к сети питания загорается зеленый индикатор. Если индикатор не загорается, то неисправен либо сетевой шнур, либо контроллер. Если индикатор светится, а инструмент не включается даже при нажатом выключателе, это свидетельствует либо об износе щеток, либо о неисправности контроллера, электромотора или выключателя.

Защита от случайного включения

При заблокированном переключателе инструмент не включится даже при подсоединении к электросети. Индикатор начнет мигать красным цветом, что свидетельствует об активированной функции защиты от случайного включения.

Для отмены защиты от случайного включения верните переключатель в положение "O (ВЫКЛ.)".

Диск регулировки скорости

► **Рис.4:** 1. Поворотный регулятор скорости

Скорость вращения можно изменять путем поворота диска регулировки скорости на заданную цифру, от 1 до 5. Наибольшая скорость достигается при повороте диска в направлении цифры 5. А самая низкая скорость достигается при повороте диска в направлении цифры 1.

Соотношение между цифровым значением на диске и примерной скоростью вращения указано в таблице ниже.

Для модели GA4040C, GA4540C, GA5040C, GA5040CN, GA4041C, GA4541C, GA5041C

Цифра	мин ⁻¹ (об/мин)
1	2 800
2	4 000
3	6 000
4	8 000
5	11 000

Для модели GA6040C

Цифра	мин ⁻¹ (об/мин)
1	4 000
2	5 000
3	6 000
4	7 000
5	9 000

ВНИМАНИЕ:

- Если инструментом пользоваться непрерывно на низкой скорости в течение продолжительного времени, двигатель будет перегружен и нагреется.
- Диск регулировки скорости можно поворачивать только до цифры 5 и обратно до 1. Не пытайтесь повернуть его дальше 5 или 1, так как функция регулировки скорости может выйти из строя.

Электронная функция

Инструменты, оборудованные электронными функциями, просты в эксплуатации благодаря следующим характеристикам.

Постоянный контроль скорости

Регулятор постоянной скорости позволяет добиться высокого качества обработки за счет поддержания постоянной скорости вращения под нагрузкой.

Функция плавного запуска

Функция плавного пуска исключает начальный рывок инструмента.

Защита от перегрузки

Если нагрузка на инструмент превышает допустимый предел, подача питания к электромотору снижается для предотвращения его перегрева. Когда нагрузка вновь возвращается в допустимые границы, инструмент возобновляет нормальную работу.

Механический тормоз

Для модели **GA4041C, GA4541C, GA5041C** Механический тормоз активируется после выключения инструмента.

Тормоз не активируется, если питание отключено, а переключатель находится в положении Вкл.

МОНТАЖ

⚠ ВНИМАНИЕ:

- Перед проведением каких-либо работ с инструментом всегда проверяйте, что инструмент выключен, а шнур питания вынут из розетки.

Установка боковой рукоятки (ручки)

▶ Рис.5

⚠ ВНИМАНИЕ:

- Перед работой всегда проверяйте надежность крепления боковой рукоятки.

Прочно закрепите боковую рукоятку на месте, как показано на рисунке.

Установка или снятие защитного кожуха (для диска с углубленным центром, откидного диска, гибкого диска, дисковой проволочной щетки / абразивного отрезного диска, алмазного диска)

⚠ ОСТОРОЖНО:

- При использовании диска с углубленным центром / откидного диска, гибкого диска или дисковой проволочной щетки установите защитный кожух так, чтобы закрытая сторона кожуха была направлена к оператору.
- При использовании абразивного отрезного диска/алмазного диска может применяться только специальный защитный кожух, предназначенный для отрезных дисков. (В некоторых странах Европы при использовании алмазного диска можно использовать обычный кожух. Следуйте нормативам, действующим в вашей стране.)

Для инструмента с кожухом диска со стопорным болтом

▶ Рис.6: 1. Кожух диска 2. Узел подшипника 3. Винт

Установите защитный кожух так, чтобы выступы на его хомуте совместились с пазами на коробке подшипника. Затем поверните защитный кожух на 180° против часовой стрелки. Проверьте, чтобы винт был надежно затянут.

Для снятия кожуха диска выполните процедуру установки в обратном порядке.

Для инструмента с кожухом диска с зажимным рычагом

▶ Рис.7: 1. Кожух диска 2. Узел подшипника 3. Винт 4. Рычаг

Ослабьте винт и подайте рычаг в направлении, указанном стрелкой. Установите защитный кожух так, чтобы выступы на его хомуте совместились с пазами на коробке подшипника. Затем поверните защитный кожух на 180°.

▶ Рис.8: 1. Винт 2. Рычаг

Потянув рычаг по стрелке, зафиксируйте кожух диска винтом. Регулировка установочного угла кожуха диска выполняется при помощи рычага. Для снятия кожуха диска выполните процедуру установки в обратном порядке.

Установка и снятие диска с углубленным центром или откидного диска (поставляется отдельно)

⚠ ОСТОРОЖНО:

- При использовании диска с углубленным центром / откидного диска кожух диска должно быть установлено так, чтобы его закрытая сторона была обращена к оператору.

▶ Рис.9: 1. Контргайка 2. Диск с углубленным центром 3. Внутренний фланец

Установите внутренний фланец на шпindel. Наденьте диск на внутренний фланец и вкрутите контргайку на шпindel.

▶ Рис.10: 1. Ключ контргайки 2. Фиксатор вала
Для затяжки контргайки сильно надавите на фиксатор вала, чтобы шпindel не проворачивался, затем воспользуйтесь ключом контргайки и крепко затяните ее по часовой стрелке.

Для снятия диска выполните процедуру установки в обратном порядке.

Быстрозажимной фланец (поставляется отдельно)

Модели с буквой F стандартно комплектуются быстрозажимным фланцем. По сравнению с обычным типом для откручивания гайки требуется только 1/3 обычного усилия.

⚠ ВНИМАНИЕ:

- Не используйте быстрозажимной фланец на моделях, оснащенных механическим тормозом. Его крепление может ослабиться при включении тормоза.

Установка или снятие гайки Ezynut (дополнительная принадлежность)

⚠ ВНИМАНИЕ:

- Не используйте гайку Ezynut с суперфланцем или угловой шлифовальной машиной, в конце модели которой указана буква "F". Толщина этих фланцев слишком велика, поэтому шпindel не сможет удерживать всю резьбу.

- **Рис.11:** 1. Гайка Ezynut 2. Абразивный диск 3. Внутренний фланец 4. Шпindel

Установите внутренний фланец, абразивный диск и гайку Ezynut на шпindel таким образом, чтобы логотип «Makita» на гайке Ezynut был направлен наружу.

- **Рис.12:** 1. Фиксатор вала

Сильно нажмите на фиксатор вала и затяните гайку Ezynut, повернув абразивный диск по часовой стрелке до упора.

Чтобы ослабить гайку Ezynut, поверните ее внешнее кольцо против часовой стрелки.

- **Рис.13:** 1. Стрелка 2. Выемка

- **Рис.14**

ПРИМЕЧАНИЕ:

- Пока стрелка указывает на выемку, гайку Ezynut можно ослабить вручную. В противном случае необходим ключ для контргайки, чтобы ослабить ее. Вставьте один штифт ключа в отверстие и поверните Ezynut против часовой стрелки.

Порядок установки или снятия гибкого диска (поставляется отдельно)

⚠ ОСТОРОЖНО:

- При установке на инструмент гибкого диска обязательно используйте прилагаемый кожух. Во время работы диск может разрушиться, и защитный кожух снизит риск получения травмы.

- **Рис.15:** 1. Контргайка 2. Гибкий диск 3. Пластмассовая подушка 4. Внутренний фланец

Следуйте указаниям для диска с углубленным центром, а также установите над диском пластмассовую подушку. Порядок сборки см. на соответствующей странице данного руководства.

Установка или снятие абразивного диска (дополнительная принадлежность)

ПРИМЕЧАНИЕ:

- Используйте принадлежности для шлифования, указанные в данном руководстве. Их следует приобрести отдельно.

- **Рис.16:** 1. Шлифовальная контргайка 2. Абразивный диск 3. Резиновая подушка

Установите резиновый опорный фланец на шпindel. Установите диск на резиновый опорный фланец и наверните на шпindel контргайку шлифовального блока. При натяжке контргайки шлифовального блока нажмите кнопку блокировки вала, чтобы шпindel не проворачивался, а затем надежно затяните контргайку по часовой стрелке при помощи прилагаемого специального ключа. Для снятия диска выполните процедуру установки в обратном порядке.

Порядок установки или снятия пылезащитной крышки (дополнительная принадлежность)

⚠ ОСТОРОЖНО:

- **Перед установкой и снятием кожных дисков обязательно выключайте инструмент и отсоединяйте его от электросети.** В противном случае можно повредить инструмент или получить травму.

Инструмент поставляется с четырьмя пылезащитными крышками, каждая из которых используется в различных ситуациях.

- **Рис.17:** 1. Метка А 2. Метка В 3. Метка С 4. Метка D

Установите пылезащитную крышку так, чтобы метка (А, В, С или D) находилась в месте, показанном на рисунке. Защелкните штифты в отверстиях. Снять пылезащитную крышку можно рукой.

ПРИМЕЧАНИЕ:

- При засорении пылезащитной крышки пылью или посторонними веществами очистите ее. Продолжение эксплуатации инструмента с засоренной пылезащитной крышкой приведет к повреждению инструмента.

ЭКСПЛУАТАЦИЯ

⚠ ОСТОРОЖНО:

- Никогда не прилагайте к инструменту усилий. Вес инструмента обеспечивает достаточное давление. Чрезмерное усилие и давление могут привести к опасному разрушению диска.
- **ВСЕГДА** меняйте диск, если при шлифовании инструмент упал.
- **НИКОГДА** не стучите и не бейте шлифовальный диск об обрабатываемую деталь.
- Избегайте подпрыгивания и зацепления диска, особенно при обработке углов, острых краев и т.д. Это может привести к потере управления и отдаче.
- Никогда не используйте инструмент с полотнами для обработки дерева или другими дисковыми пилами. При использовании на шлифмашине такие пилы часто выскакивают, выходят из-под контроля и приводят к травмам.

⚠ ВНИМАНИЕ:

- Никогда не включайте инструмент, если он касается обрабатываемого изделия. Это может стать причиной травмы оператора.
- Во время выполнения операции всегда надевайте защитные очки или защитную маску.
- После работы всегда отключайте инструмент и дождитесь полной остановки диска перед тем, как положить инструмент.

Шлифовка и зачистка

► Рис.18

ВСЕГДА крепко держите инструмент, положив одну руку на корпус, а вторую - на боковую ручку. Включите инструмент, а затем прижмите диск к обрабатываемой детали.

Обычно следует держать край диска под углом примерно 15° к поверхности обрабатываемой детали. В период приработки нового шлифовального диска не перемещайте шлифовальную машину в направлении В, поскольку диск может врезаться в деталь. После того как кромка диска закруглится от использования, можно будет перемещать диск в направлениях А и В.

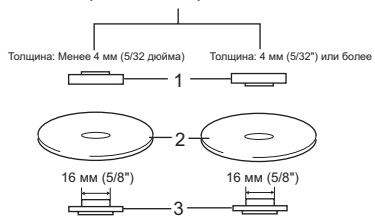
Выполнение работ с абразивным отрезным диском/алмазным диском (дополнительная принадлежность)

- **Рис.19:** 1. Контргайка 2. Абразивный отрезной диск/алмазный диск 3. Внутренний фланец 4. Защитный кожух для абразивного отрезного диска/алмазного диска

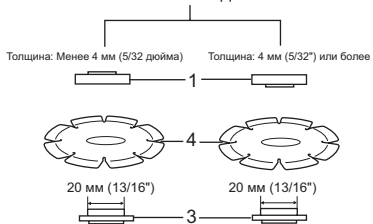
Направление установки стопорной гайки и внутреннего фланца зависит от толщины диска. См. таблицу ниже.

Модель 100 мм (4")

Абразивный отрезной диск



Алмазный диск



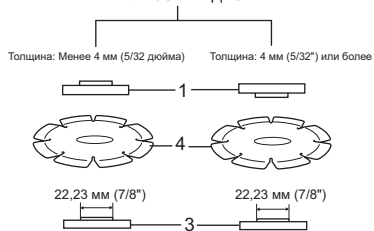
1. Контргайка 2. Абразивный отрезной диск 3. Внутренний фланец 4. Алмазный диск

Модель 115 мм (4 - 1/2") / 125 мм (5") / 150 мм (6")

Абразивный отрезной диск



Алмазный диск



1. Контргайка 2. Абразивный отрезной диск 3. Внутренний фланец 4. Алмазный диск

⚠ОСТОРОЖНО:

- При использовании абразивного отрезного диска/алмазного диска может применяться только специальный защитный кожух, предназначенный для отрезных дисков. (В некоторых странах Европы при использовании алмазного диска можно использовать обычный кожух. Следуйте нормативам, действующим в вашей стране.)
- НЕЛЬЗЯ использовать отрезной диск для шлифовки боковой поверхностью.
- Не "заклинивайте" диск и не прикладывайте к нему чрезмерное давление. Не пытайтесь чрезмерно увеличить глубину резания. Перенапряжение диска увеличивает нагрузку и подверженность к искривлению или застреванию диска в прорези, а также возможность отдачи, поломки диска и перегрева электродвигателя.
- Не запускайте отрезной диск, пока он находится в детали. Дайте кругу раскрутиться до максимальной скорости, а затем осторожно введите в разрез, перемещая инструмент вперед по поверхности обрабатываемой детали. При перезапуске электроинструмента, углубившегося в деталь, возможно застревание диска, его выскакивание или отдача.
- Во время операций резания нельзя менять угол наклона диска. Боковое давление на отрезной диск (как при шлифовке) приводит к растрескиванию и разрушению диска, в результате чего возможны серьезные травмы.
- Работы с алмазным диском необходимо выполнять, удерживая его перпендикулярно к рабочей поверхности.

Выполнение работ с чашечной проволочной щеткой (дополнительная принадлежность)

⚠ВНИМАНИЕ:

- Проверьте работу щетки, запустив инструмент на холостом ходу, предварительно убедившись, что никто не находится перед ним или на одной линии со щеткой.
- Не используйте поврежденную или разбалансированную щетку. Использование поврежденной щетки может увеличить опасность получения травм от контакта с проволокой.

► Рис.20: 1. Чашечная проволочная щетка

Отсоедините инструмент от розетки и положите шпинделем вверх, чтобы обеспечить легкий доступ к шпинделю. Снимите насадку со шпинделя. Наверните чашечную проволочную щетку на шпиндель и затяните прилагаемым ключом. При использовании щетки не нажимайте на нее слишком сильно: это вызывает чрезмерный изгиб проволоки и ведет к преждевременной поломке.

Выполнение работ с дисковой проволочной щеткой (дополнительная принадлежность)

⚠ВНИМАНИЕ:

- Проверьте работу дисковой проволочной щетки, запустив инструмент на холостом ходу, предварительно убедившись, что никто не находится перед ним или на одной линии с дисковой проволочной щеткой.
- Не используйте поврежденную или разбалансированную дисковую проволочную щетку. Использование поврежденной дисковой проволочной щетки может увеличить опасность получения травм от контакта с проволокой.
- При работе с дисковой проволочной щеткой ВСЕГДА используйте защитный кожух, убедившись, что диаметр диска соответствует внутреннему диаметру кожуха. Во время работы диск может разрушиться, защитный кожух в таком случае снизит риск получения травм.

► Рис.21: 1. Дисковая проволочная щетка

Отключите инструмент от питания и расположите его дисковой частью вверх, что позволит легко получить доступ к шпинделю. Снимите со шпинделя все дополнительные принадлежности. Установите дисковую проволочную щетку на шпиндель и затяните ее с помощью ключей.

При использовании дисковой проволочной щетки старайтесь не прикладывать к ней чрезмерное давление, поскольку в таком случае проволока может погнуться, что преждевременно приведет щетку в негодность.

ТЕХОБСЛУЖИВАНИЕ

⚠ВНИМАНИЕ:

- Перед проверкой или проведением техобслуживания убедитесь, что инструмент выключен, а штекер отсоединен от розетки.
- Запрещается использовать бензин, лигроин, растворитель, спирт и т.п. Это может привести к изменению цвета, деформации и появлению трещин.

► Рис.22: 1. Вытяжное отверстие 2. Впускное вентиляционное отверстие

Инструмент и его вентиляционные отверстия должны содержаться в чистоте. Производите регулярную очистку вентиляционных отверстий инструмента или очищайте их в том случае, если отверстия станут засоряться.

Для обеспечения БЕЗОПАСНОСТИ и НАДЕЖНОСТИ изделия ремонт, проверка и замена угольных щеток и любые другие работы по техобслуживанию или регулировке должны осуществляться в уполномоченных сервис-центрах Makita с использованием запасных частей только производства компании Makita.

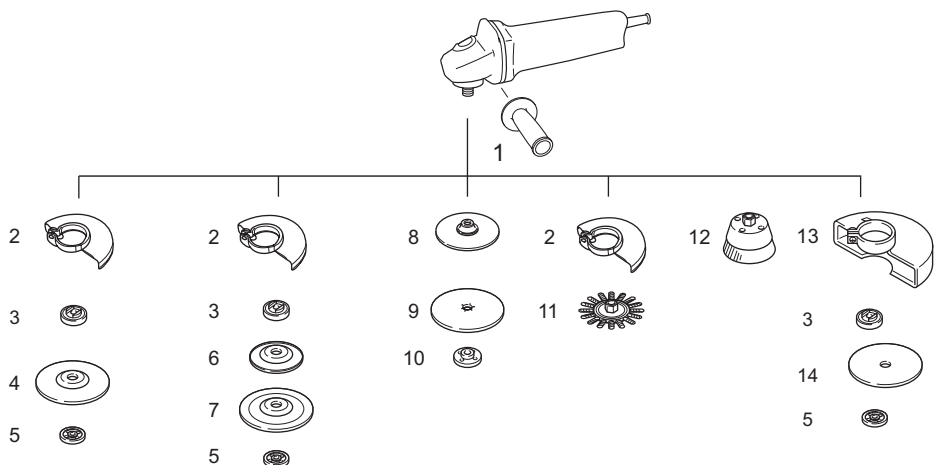
ДОПОЛНИТЕЛЬНЫЕ ПРИНАДЛЕЖНОСТИ

⚠ВНИМАНИЕ:

- Эти принадлежности или насадки рекомендуется использовать вместе с вашим инструментом Makita, описанным в данном руководстве. Использование каких-либо других принадлежностей или насадок может представлять опасность получения травм. Используйте принадлежность или насадку только по указанному назначению.

Если вам необходимо содействие в получении дополнительной информации по этим принадлежностям, свяжитесь со своим местным сервис-центром Makita.

- Пылезащитная крышка



	Модель 100 мм (4")	Модель 115 мм (4-1/2")	Модель 125 мм (5")	Модель 150 мм (6")
1	Рукоятка 36			
2	Защитный кожух (для шлифовального диска)			
3	Внутренний фланец	Внутренний фланец Быстрозажимной фланец *1	Внутренний фланец Быстрозажимной фланец *1	Внутренний фланец Быстрозажимной фланец *1
4	Диск с углубленным центром/откидной диск			
5	Контргайка	Контргайка Гайка Ezynut *2	Контргайка Гайка Ezynut *2	Контргайка Гайка Ezynut *2
6	Пластмассовая подушка	Пластмассовая подушка	Пластмассовая подушка	-
7	Гибкий диск	Гибкий диск	Гибкий диск	-
8	Резиновый опорный фланец 76	Резиновый опорный фланец 100	Резиновый опорный фланец 115	Резиновый опорный фланец 125
9	Абразивный диск			
10	Шлифовальная контргайка			
11	Дисковая проволочная щетка			
12	Чашечная проволочная щетка			
13	Защитный кожух (для отрезного круга) *3			
14	Абразивный отрезной диск/алмазный диск			
-	Ключ контргайки			

Примечание.

*1 Не используйте быстрозажимной фланец с шлифовальной машиной, оснащенной тормозом.

*2 Не используйте быстрозажимной фланец с гайкой Ezynut.

*3 В некоторых странах Европы при использовании алмазного круга можно использовать обычное ограждение вместо специального, закрывающего обе стороны круга. Следуйте нормативам, действующим в вашей стране.

ПРИМЕЧАНИЕ:

- Некоторые элементы списка могут входить в комплект инструмента в качестве стандартных приспособлений. Они могут отличаться в зависимости от страны.

Makita Europe N.V. Jan-Baptist Vinkstraat 2,
3070 Kortenberg, Belgium

Makita Corporation 3-11-8, Sumiyoshi-cho,
Anjo, Aichi 446-8502 Japan

www.makita.com

885106C988
EN, SV, NO, FI, LV,
LT, ET, RU
20160830