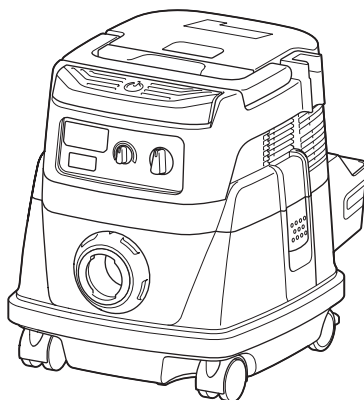




<b>EN</b>	Cordless Vacuum Cleaner	<b>INSTRUCTION MANUAL</b>	<b>7</b>
<b>SV</b>	Batteridrivnen dammsugare	<b>BRUKSANVISNING</b>	<b>18</b>
<b>NO</b>	Trådløs støvsuger	<b>BRUKSANVISNING</b>	<b>30</b>
<b>FI</b>	Akkukäyttöinen pölynimuri	<b>KÄYTTÖOHJE</b>	<b>41</b>
<b>LV</b>	Bezvadu putekļsūcējs	<b>LIETOŠANAS INSTRUKCIJA</b>	<b>51</b>
<b>LT</b>	Akumuliatorinis vakuuminis valymo įrenginys	<b>NAUDOJIMO INSTRUKCIJA</b>	<b>63</b>
<b>ET</b>	Juhtmeta käsitolmuimeija	<b>KASUTUSJUHEND</b>	<b>74</b>
<b>RU</b>	Аккумуляторный пылесос	<b>РУКОВОДСТВО ПО ЭКСПЛУАТАЦИИ</b>	<b>85</b>

## DVC864L



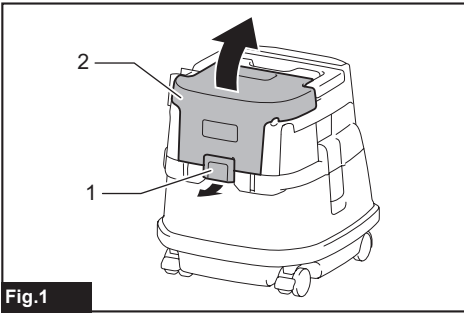


Fig.1

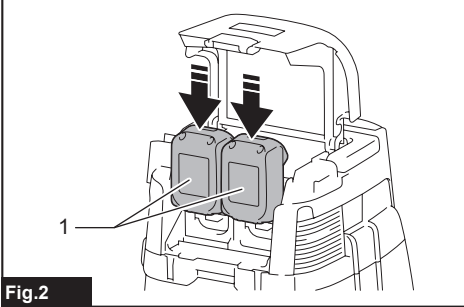


Fig.2

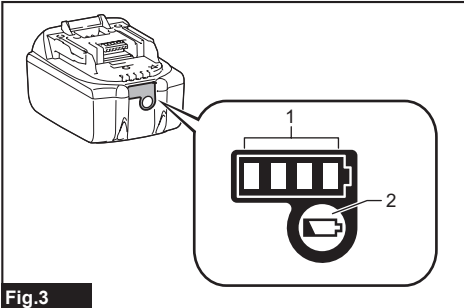


Fig.3

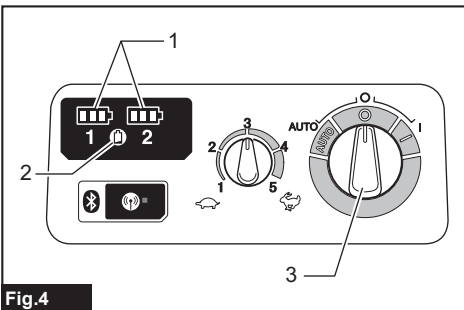


Fig.4

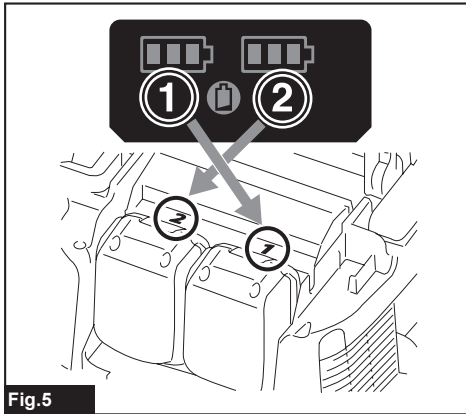


Fig.5

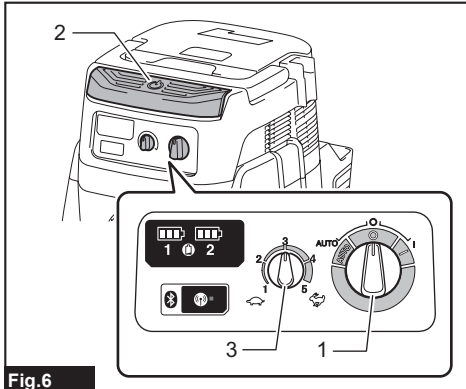


Fig.6

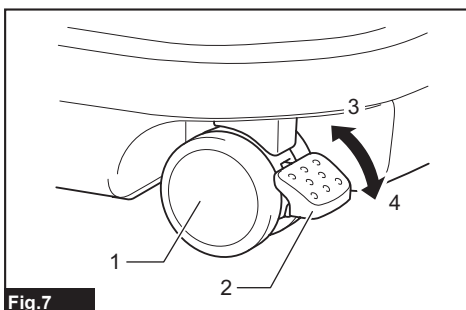


Fig.7

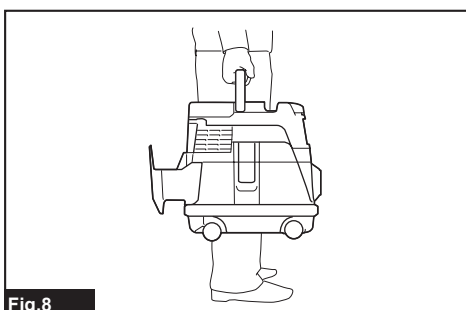


Fig.8

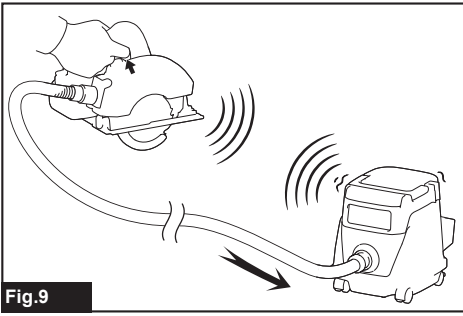


Fig.9

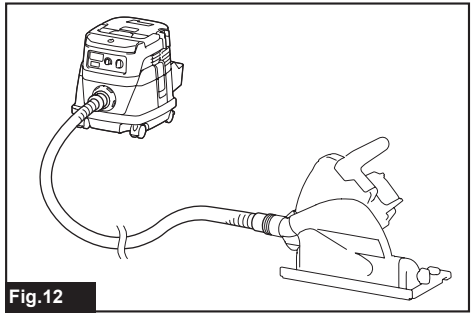


Fig.12

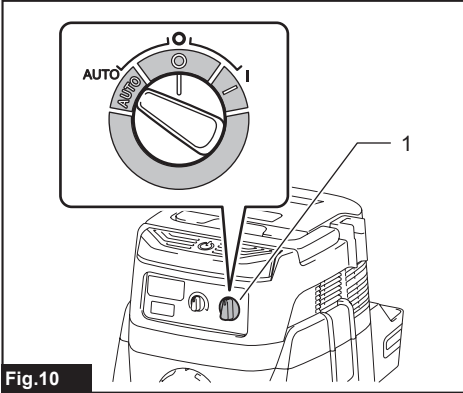


Fig.10

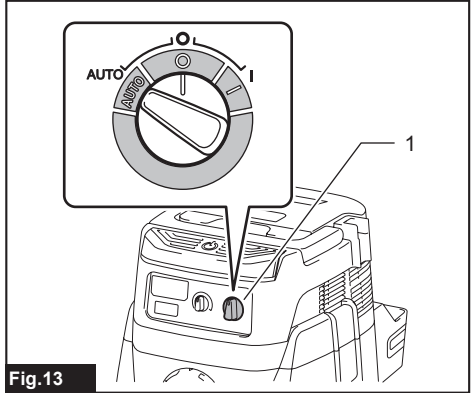


Fig.13

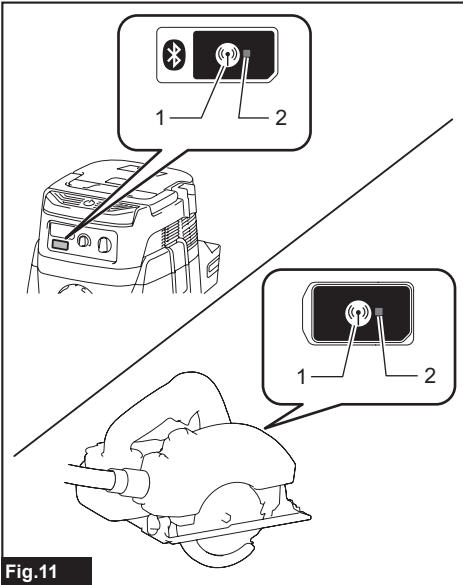


Fig.11

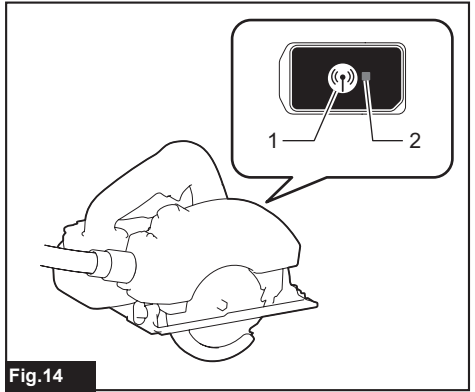
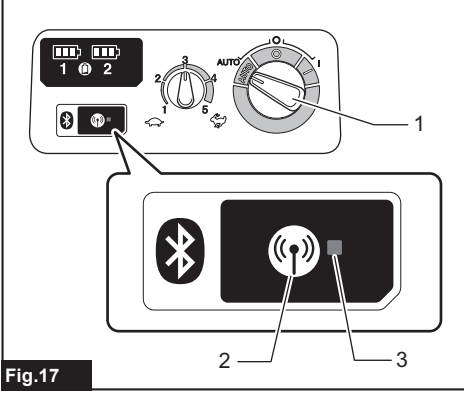
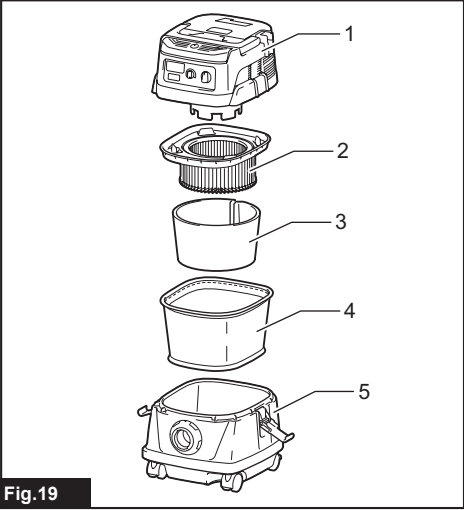
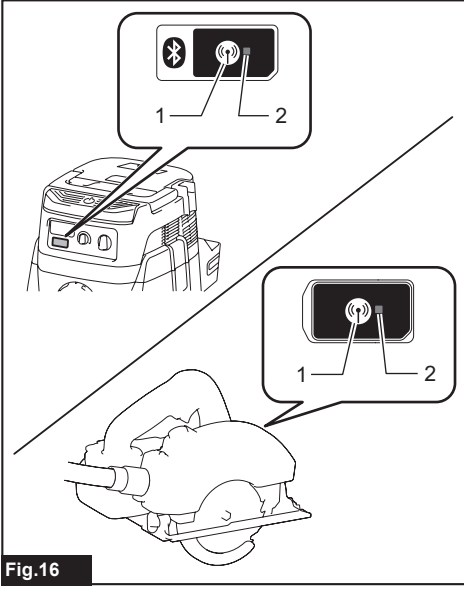
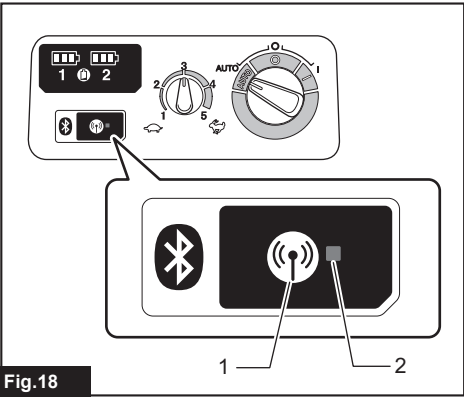
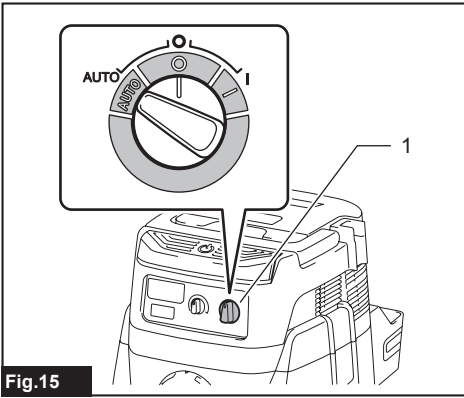
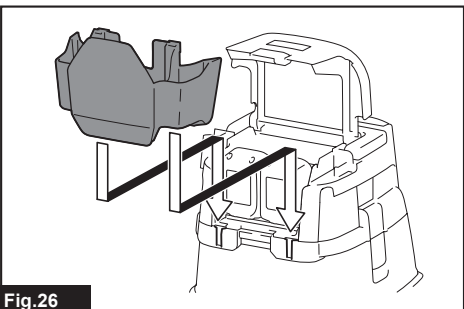
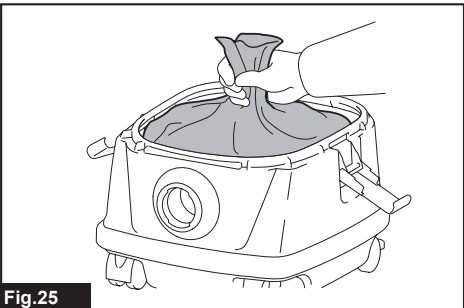
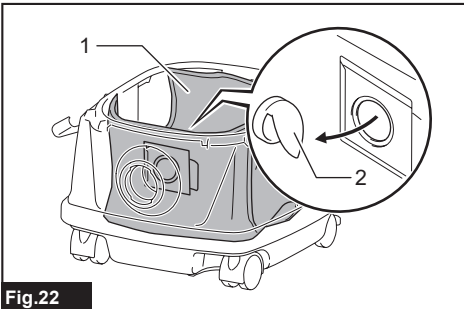
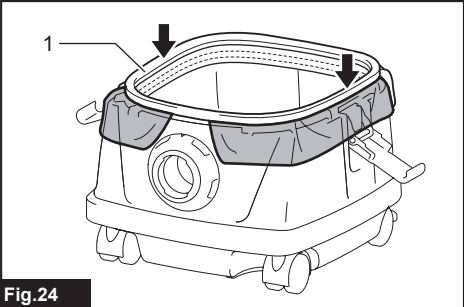
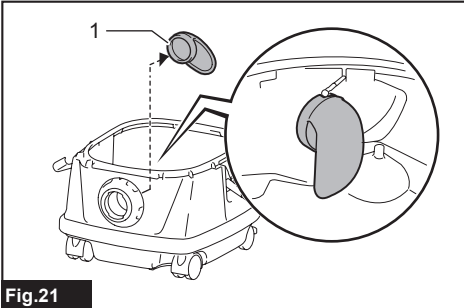
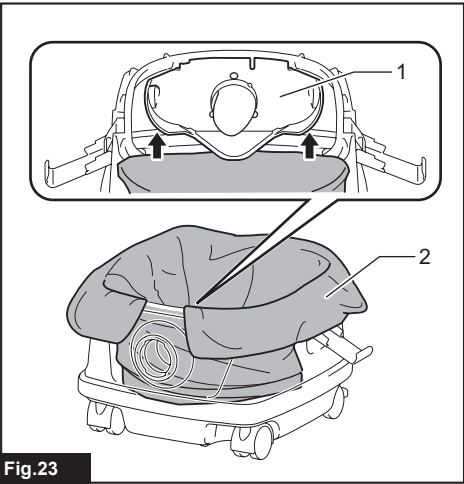
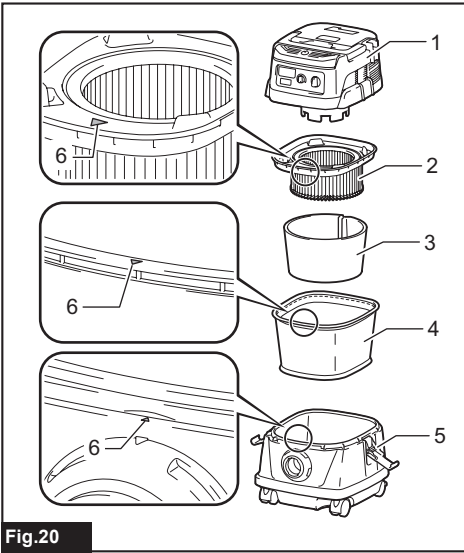


Fig.14





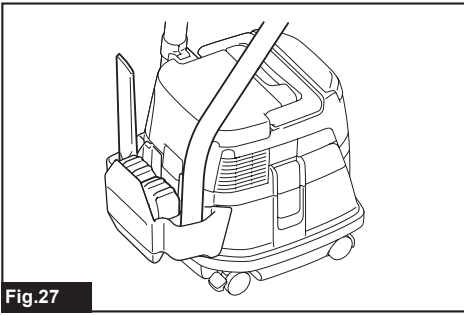


Fig.27

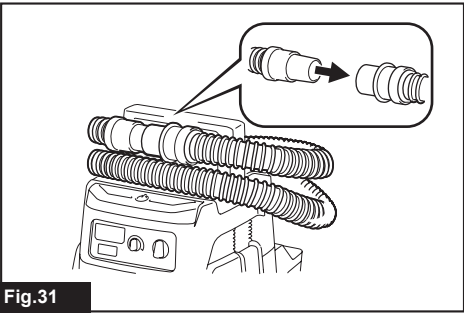


Fig.31

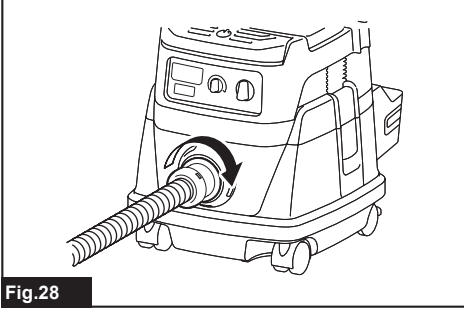


Fig.28

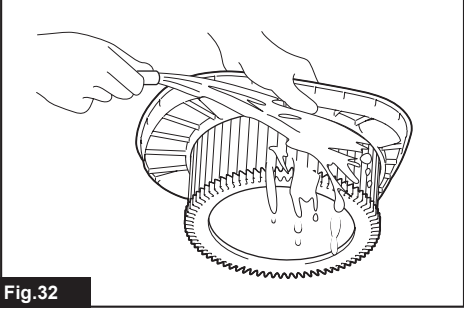


Fig.32

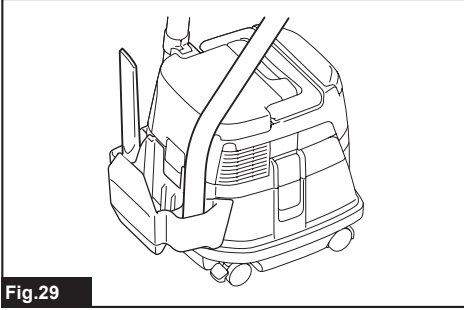


Fig.29

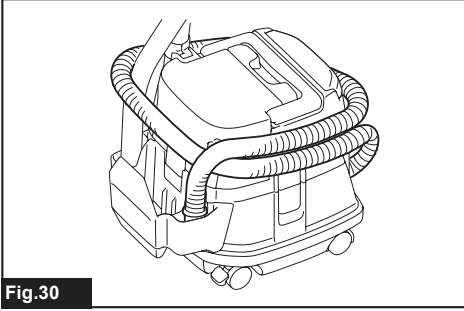


Fig.30

## WARNING

This appliance can be used by children aged from 8 years and above and persons with reduced physical, sensory or mental capabilities or lack of experience and knowledge if they have been given supervision or instruction concerning use of the appliance in a safe way and understand the hazards involved. Children shall not play with the appliance. Cleaning and user maintenance shall not be made by children without supervision.

## SPECIFICATIONS

<b>Model:</b>	<b>DVC864L</b>
Standard filter type	Powder filter (for dry dust)
Volume flow (air) (with BL1850B, ø38 mm x 2.5 m hose)	2.1 m <sup>3</sup> /min
Vacuum (with BL1850B, ø38 mm x 2.5 m hose)	98 hPa
Recoverable capacity	8 L
Dimensions (L x W x H)	366 mm x 334 mm x 368 mm
Rated voltage	D.C. 36 V
Standard battery cartridge	BL1815N, BL1820, BL1820B, BL1830, BL1830B, BL1840, BL1840B, BL1850, BL1850B, BL1860B
Net weight	7.7 - 8.4 kg
Bluetooth® version	4.1 (Bluetooth low energy)
Frequency band	2,402 - 2,480 MHz
Maximum radio-frequency power	1.0 dBm (EIRP)
Transmission range	Approximately 10 m

- Due to our continuing program of research and development, the specifications herein are subject to change without notice.
- Specifications and battery cartridge may differ from country to country.
- The weight does not include accessories but battery cartridge(s). The lightest and heaviest combination weight of the appliance and battery cartridge(s) are shown in the table.



The Bluetooth® word mark and logos are registered trademarks owned by the Bluetooth SIG, Inc. and any use of such marks by Makita is under license. Other trademarks and trade names are those of their respective owners.

## Symbols

The following show the symbols used for the equipment. Be sure that you understand their meaning before use.



Read instruction manual.



Take particular care and attention.



Warning! The cleaner may contain hazardous dust.



Never stand on the cleaner.



Dust class L (light). The cleaners are capable of picking up dust class L. Follow your country's regulations relating to dusts and to occupational health and safety.



Only for EU countries  
Do not dispose of electric equipment or battery pack together with household waste material! In observance of the European Directives, on Waste Electric and Electronic Equipment and Batteries and Accumulators and Waste Batteries and Accumulators and their implementation in accordance with national laws, electric equipment and batteries and battery pack(s) that have reached the end of their life must be collected separately and returned to an environmentally compatible recycling facility.

# SAFETY WARNINGS

## Cordless vacuum cleaner safety warnings

**⚠ WARNING: IMPORTANT! READ CAREFULLY all safety warnings and all instructions BEFORE USE.** Failure to follow the warnings and instructions may result in electric shock, fire and/or serious injury.

### Intended use

The tool is intended for collecting dry dust. The tool is suitable for commercial use, for example in hotels, schools, hospitals, factories, shops, offices and rental businesses.

### Noise

The typical A-weighted noise level determined according to EN60335:

Sound pressure level ( $L_{pA}$ ) : 70 dB(A) or less  
Uncertainty (K) : 2.5 dB(A)

The noise level under working may exceed 80 dB (A).

**⚠ WARNING: Wear ear protection.**

### Vibration

The vibration total value (tri-axial vector sum) determined according to EN60335:

Vibration emission ( $a_{h,M}$ ) : 2.5 m/s<sup>2</sup> or less  
Uncertainty (K) : 1.5 m/s<sup>2</sup>

**NOTE:** The declared vibration emission value has been measured in accordance with the standard test method and may be used for comparing one tool with another.

**NOTE:** The declared vibration emission value may also be used in a preliminary assessment of exposure.

**⚠ WARNING:** The vibration emission during actual use of the power tool can differ from the declared emission value depending on the ways in which the tool is used.

**⚠ WARNING:** Be sure to identify safety measures to protect the operator that are based on an estimation of exposure in the actual conditions of use (taking account of all parts of the operating cycle such as the times when the tool is switched off and when it is running idle in addition to the trigger time).

### EC Declaration of Conformity

#### For European countries only

The EC declaration of conformity is included as Annex A to this instruction manual.

1. Before use, make sure that this cleaner must be used by people who have been adequately instructed on the use of this cleaner.
2. Do not use the cleaner without the filter. Replace a damaged filter immediately.
3. AVOID UNINTENTIONAL STARTING. Be sure switch is OFF when installing battery (ies).
4. Do not attempt to pick up flammable materials, fire works, lighted cigarettes, hot ashes, hot metal chips, sharp materials such as razors, needles, broken glass or the like.
5. NEVER USE THE CLEANER IN THE VICINITY OF GASOLINE, GAS, PAINT, ADHESIVES OR OTHER HIGHLY EXPLOSIVE SUBSTANCES. The switch emits sparks when turned ON and OFF. And so does the motor commutator during operation. A dangerous explosion may result.
6. Never vacuum up toxic, carcinogenic, combustible or other hazardous materials such as asbestos, arsenic, barium, beryllium, lead, pesticides, or other health endangering materials.
7. Never use the cleaner outdoors in the rain.
8. Do not use close to heat sources (stoves, etc.).
9. Do not block cooling vents. These vents permit cooling of the motor. Blockage should be carefully avoided otherwise the motor will burn out from lack of ventilation.
10. Keep proper footing and balance at all times.
11. Do not fold, tug or step on the hose.
12. Stop the cleaner immediately if you notice poor performance or anything abnormal during operation.
13. REMOVE THE BATTERY (IES). When not in use, before servicing, and when changing accessories.
14. Clean and service the cleaner immediately after each use to keep it in tiptop operating condition.
15. MAINTAIN THE CLEANER WITH CARE. Keep the cleaner clean for better and safer performance. Follow instructions for changing accessories. Keep handles dry, clean, and free from oil and grease.
16. CHECK DAMAGED PARTS. Before further use of the cleaner, a guard or other part that is damaged should be carefully checked to determine that it will operate properly and perform its intended function. Check for alignment of moving parts, binding of moving parts, breakage of parts, mounting, and any other conditions that may affect its operation. A guard or other part that is damaged should be properly repaired or replaced by an authorized service center unless otherwise indicated elsewhere in this instruction manual. Have defective switches replaced by authorized service center. Don't use the cleaner if switch does not turn it on and off.



17. **REPLACEMENT PARTS.** When servicing, use only identical replacement parts.
18. **STORE IDLE CLEANER.** When not in use, the cleaner should be stored indoors.
19. Be kind to your cleaner. Rough handling can cause breakage of even the most sturdily built cleaner.
20. Do not attempt to clean the exterior or interior with benzine, thinner or cleaning chemicals. Cracks and discoloration may be caused.
21. Do not use cleaner in an enclosed space where flammable, explosive or toxic vapors are given off by oil-base paint, paint-thinner, gasoline, some mothproofing substances, etc., or in areas where flammable dust is present.
22. Do not operate the this or any tool while under the influence of drugs or alcohol.
23. As a basic rule of safety, use safety goggles or safety glasses with side shields.
24. Use a dust mask in dusty work conditions.
25. This machine is not intended for use by persons including children with reduced physical, sensory or mental capabilities, or lack of experience and knowledge.
26. Young children should be supervised to ensure that they do not play with the cleaner.
27. Never handle battery(ies) and cleaner with wet hands.
28. Use extreme caution when cleaning on stairs.
29. Do not use the cleaner as a stool or work bench. The machine may fall down and may result in personal injury.

#### Battery tool use and care

1. **Recharge only with the charger specified by the manufacturer.** A charger that is suitable for one type of battery pack may create a risk of fire when used with another battery pack.
2. **Use power tools only with specifically designated battery packs.** Use of any other battery packs may create a risk of injury and fire.
3. **When battery pack is not in use, keep it away from other metal objects, like paper clips, coins, keys, nails, screws or other small metal objects, that can make a connection from one terminal to another.** Shorting the battery terminals together may cause burns or a fire.
4. **Under abusive conditions, liquid may be ejected from the battery; avoid contact. If contact accidentally occurs, flush with water. If liquid contacts eyes, additionally seek medical help.** Liquid ejected from the battery may cause irritation or burns.
5. **Do not use a battery pack or tool that is damaged or modified.** Damaged or modified batteries may exhibit unpredictable behaviour resulting in fire, explosion or risk of injury.
6. **Do not expose a battery pack or tool to fire or excessive temperature.** Exposure to fire or temperature above 130 °C may cause explosion.
7. **Follow all charging instructions and do not charge the battery pack or tool outside the temperature range specified in the instructions.** Charging improperly or at temperatures outside the specified range may damage the battery and increase the risk of fire.

**⚠WARNING:** DO NOT let comfort or familiarity with product (gained from repeated use) replace strict adherence to safety rules for the subject product. MISUSE or failure to follow the safety rules stated in this instruction manual may cause serious personal injury.

### Important safety instructions for battery cartridge

1. **Before using battery cartridge, read all instructions and cautionary markings on (1) battery charger, (2) battery, and (3) product using battery.**
2. **Do not disassemble battery cartridge.**
3. **If operating time has become excessively shorter, stop operating immediately. It may result in a risk of overheating, possible burns and even an explosion.**
4. **If electrolyte gets into your eyes, rinse them out with clear water and seek medical attention right away. It may result in loss of your eyesight.**
5. **Do not short the battery cartridge:**
  - (1) **Do not touch the terminals with any conductive material.**
  - (2) **Avoid storing battery cartridge in a container with other metal objects such as nails, coins, etc.**
  - (3) **Do not expose battery cartridge to water or rain.**

A battery short can cause a large current flow, overheating, possible burns and even a breakdown.
6. **Do not store the tool and battery cartridge in locations where the temperature may reach or exceed 50 °C (122 °F).**
7. **Do not incinerate the battery cartridge even if it is severely damaged or is completely worn out. The battery cartridge can explode in a fire.**
8. **Be careful not to drop or strike battery.**
9. **Do not use a damaged battery.**
10. **The contained lithium-ion batteries are subject to the Dangerous Goods Legislation requirements.**

For commercial transports e.g. by third parties, forwarding agents, special requirement on packaging and labeling must be observed. For preparation of the item being shipped, consulting an expert for hazardous material is required. Please also observe possibly more detailed national regulations.

Tape or mask off open contacts and pack up the battery in such a manner that it cannot move around in the packaging.
11. **Follow your local regulations relating to disposal of battery.**
12. **Use the batteries only with the products specified by Makita.** Installing the batteries to non-compliant products may result in a fire, excessive heat, explosion, or leak of electrolyte.

**SAVE THESE INSTRUCTIONS.**

**SAVE THESE INSTRUCTIONS.**

**⚠ CAUTION:** Only use genuine Makita batteries. Use of non-genuine Makita batteries, or batteries that have been altered, may result in the battery bursting causing fires, personal injury and damage. It will also void the Makita warranty for the Makita tool and charger.

## Tips for maintaining maximum battery life

1. Charge the battery cartridge before completely discharged. Always stop tool operation and charge the battery cartridge when you notice less tool power.
2. Never recharge a fully charged battery cartridge. Overcharging shortens the battery service life.
3. Charge the battery cartridge with room temperature at 10 °C - 40 °C (50 °F - 104 °F). Let a hot battery cartridge cool down before charging it.
4. Charge the battery cartridge if you do not use it for a long period (more than six months).

## Important safety instructions for wireless unit

1. Do not disassemble or tamper with the cleaner. The wireless unit in the cleaner cannot be removed.
2. Do not operate the wireless activation function in places where medical instruments, heart pace makers, or automated devices, such as automatic doors and fire alarms, are nearby.
3. Do not use the cleaner in places where the temperature exceeds 50°C (122°F).
4. The wireless unit is an accurate instrument. Be careful not to drop or strike the cleaner.
5. Do not leave the cleaner in a place where static electricity or electrical noise could be generated.

## FUNCTIONAL DESCRIPTION

**⚠ CAUTION:** Always be sure that the tool is switched off and the battery cartridge is removed before adjusting or checking function on the tool.

## Installing or removing battery cartridge

**⚠ CAUTION:** Always switch off the tool before installing or removing of the battery cartridge.

**⚠ CAUTION:** Hold the tool and the battery cartridge firmly when installing or removing battery cartridge. Failure to hold the tool and the battery cartridge firmly may cause them to slip off your hands and result in damage to the tool and battery cartridge and a personal injury.

**⚠ CAUTION:** Be careful not to pinch your fingers when opening or closing the battery cover. Failure to do so may cause personal injury.

To install the battery cartridge, release the lock first, and open the battery cover. And then, insert the battery cartridge.

► **Fig.1:** 1. Lock 2. Battery cover

Align the tongue on the battery cartridge with the groove in the housing and slip it into place. Insert it all the way until it locks in place with a little click. Then lock the battery cover.

► **Fig.2:** 1. Battery cartridge

To remove the battery cartridge, slide it from the tool while sliding the button on the front of the cartridge.

**⚠ CAUTION:** Always install the battery cartridge fully until the red indicator cannot be seen. If not, it may accidentally fall out of the tool, causing injury to you or someone around you.

**⚠ CAUTION:** Do not install the battery cartridge forcibly. If the cartridge does not slide in easily, it is not being inserted correctly.

**NOTE:** The cleaner does not work with only one battery cartridge.

## Indicating the remaining battery capacity

**Only for battery cartridges with the indicator**

► **Fig.3:** 1. Indicator lamps 2. Check button

Press the check button on the battery cartridge to indicate the remaining battery capacity. The indicator lamps light up for a few seconds.

Indicator lamps			Remaining capacity
Lighted	Off	Blinking	
■	□	▧	75% to 100%
■ ■ ■ ■			
■ ■ ■ □			50% to 75%
■ ■ □ □			25% to 50%
■ □ □ □			0% to 25%
▧ □ □ □			Charge the battery.
■ ■ □ □			The battery may have malfunctioned.
□ □ ■ ■			

**NOTE:** Depending on the conditions of use and the ambient temperature, the indication may differ slightly from the actual capacity.

## Indicating the remaining battery capacity

► **Fig.4:** 1. Battery indicator 2. Check button 3. Stand-by switch

► **Fig.5**

Press the check button to indicate the remaining battery capacities. The battery indicators correspond to each battery.

Battery indicator status			Remaining battery capacity
On	Off	Blinking	
■	□	▧	50% to 100%
■ ■ ■ ■			
■ ■ □ □			20% to 50%
■ □ □ □			0% to 20%
▧ □ □ □			Charge the battery

**NOTE:** During the cleaner turned on with the stand-by switch set to "AUTO", the battery indicator does not work.

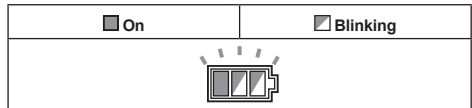
## Tool / battery protection system

The tool is equipped with a tool/battery protection system. This system automatically cuts off power to the motor to extend tool and battery life. The tool will automatically stop during operation if the tool or battery is placed under one of the following conditions:

## Overload protection

When the tool is operated in a manner that causes it to draw an abnormally high current, the tool automatically stops without any indication. In this situation, turn the tool off and stop the application that caused the tool to become overloaded. Then turn the tool on to restart.

## Overheat protection



When the tool is overheated, the tool stops automatically, and the battery indicator blinks about 60 seconds. In this situation, let the tool cool down before turning the tool on again.

## Overdischarge protection

When the battery capacity becomes low, the tool stops automatically. If the product does not operate even when the switches are operated, remove the batteries from the tool and charge the batteries.

## Switch action

► **Fig.6:** 1. Stand-by switch 2. Power button 3. Suction force adjusting knob

To start the cleaner:

1. Set the stand-by switch to the "I" side. The cleaner gets into stand-by state.

2. Press the power button.

To make the cleaner get into stand-by mode, press the power button again.

To turn off the cleaner, set the stand-by switch to the "O" side.

The suction power can be adjusted according to your work need.

Suction power can be increased by turning the suction force adjusting knob from the symbol to the symbol.

**NOTICE:** Always set the stand-by switch to the "O" side when not using the cleaner for long time. The cleaner consumes power during stand-by state.

## Locking or unlocking the caster

► **Fig.7:** 1. Caster 2. Stopper lever 3. FREE position 4. LOCK position

Locking the caster is convenient when storing the cleaner, stopping the work on the way and keeping the cleaner still. To operate the stopper, move it by hand.

To lock the caster with a stopper, lower the stopper lever and the caster no longer will rotate. To release the caster from the locked position, raise the stopper lever.

**NOTE:** When moving the cleaner, make sure that the caster is unlocked. Moving the cleaner with the caster in the locked position may cause damage to the caster.

## Carriage handle

When carrying the cleaner, carry it by holding the handle on the head. The handle is retractable at the head when not in use.

► **Fig.8**

# WIRELESS ACTIVATION FUNCTION

## What you can do with the wireless activation function

The wireless activation function enables clean and comfortable operation. By connecting a supported tool to the cleaner, you can run the cleaner automatically along with the switch operation of the tool.

► Fig.9

**NOTICE:** Be sure to refer to the instruction manual of the tool when using the cleaner with wireless activation function.

**NOTICE:** Do not disassemble or tamper with the wireless unit.

**NOTICE:** Always close the lid of the wireless unit in the tool when operating or storage.

**NOTICE:** Do not remove the wireless unit from the tool while the power is being supplied to the tool. Doing so may cause a malfunction of the wireless unit.

**NOTICE:** Do not press the wireless activation button too hard and/or press the button with an object with a sharp edge.

**NOTE:** Wireless activation needs Makita tools equipped with the wireless unit.

**NOTE:** Prior to the initial use of the wireless activation function with each tool, the tool registration is required. Once the registration is finished with the tool, the re-registration is not required unless it is cancelled.

**NOTE:** Before registration, be sure to the wireless unit is properly inserted into the tool.

**NOTE:** One cleaner can register up to 10 tools. If more than 10 tools are registered to the cleaner, the tool registered earliest will be cancelled automatically.

**NOTE:** The position of the wireless activation button varies depending on the tool.

**NOTE:** The cleaner also starts by pressing the power button when the stand-by switch is set to "AUTO". However the power button will not actuate when the wireless activation function is used.

## Tool registration for the cleaner

**NOTE:** A Makita tool supporting the wireless activation function is required for the tool registration.

**NOTE:** Finish installing the wireless unit to the tool before starting the tool registration.

**NOTE:** During the tool registration, do not pull the switch trigger on the tool or turn on the power switch on the cleaner.

**NOTE:** Refer to the instruction manual of the tool, too.

If you wish to activate the cleaner along with the switch operation of the tool, finish the tool registration beforehand.

1. Install the batteries to the cleaner and the tool.
2. Set the stand-by switch on the cleaner to "AUTO".  
► Fig.10: 1. Stand-by switch
3. Press the wireless activation button on the cleaner for 3 seconds until the wireless activation lamp blinks in green. And then press the wireless activation button on the tool in the same way.

► Fig.11: 1. Wireless activation button 2. Wireless activation lamp

If the cleaner and the tool are linked successfully, the wireless activation lamps will light up in green for 2 seconds and start blinking in blue.

**NOTE:** The wireless activation lamps finish blinking in green after 20 seconds elapsed. Press the wireless activation button on the tool while the wireless activation lamp on the cleaner is blinking. If the wireless activation lamp does not blink in green, push the wireless activation button briefly and hold it down again.

**NOTE:** When performing two or more tool registration for the cleaner, finish the tool registration one by one.

## Starting the wireless activation function

**NOTE:** Finish the tool registration for the cleaner for wireless activation.

**NOTE:** Always place the cleaner so that you can see the status of the wireless activation lamp.

**NOTE:** Refer to the instruction manual of the tool, too.

After registering a tool to the cleaner, the cleaner will automatically runs along with the switch operation of the tool.

1. Install the wireless unit to the tool.
2. Connect the hose of the cleaner with the tool.  
► Fig.12
3. Set the stand-by switch on the cleaner to "AUTO".  
► Fig.13: 1. Stand-by switch
4. Push the wireless activation button on the tool briefly. The wireless activation lamp will blink in blue.  
► Fig.14: 1. Wireless activation button 2. Wireless activation lamp
5. Pull the switch trigger of the tool. Check if the cleaner runs while the switch trigger on the tool is being pulled.

To stop the wireless activation, push the wireless activation button on the tool, or set the stand-by switch on the cleaner to "I" or "O".

**NOTE:** The wireless activation lamp on the tool will stop blinking in blue when there is no operation for 2 hours. In this case, set the stand-by switch on the cleaner to "AUTO" and press the wireless activation button on the tool again.

**NOTE:** The cleaner starts/stops with a delay. There is a time lag when the cleaner detects a switch operation of the tool.

**NOTE:** The transmission distance of the wireless unit may vary depending on the location and surrounding circumstances.

**NOTE:** When two or more tools are registered to one cleaner, the cleaner may start running even if you don't pull the switch trigger because other user is using the wireless activation function.

## Cancelling tool registration for the cleaner

Perform the following procedure when cancelling the tool registration for the cleaner.

1. Install the batteries to the cleaner and the tool.
2. Set the stand-by switch on the cleaner to "AUTO".  
▶ **Fig.15:** 1. Stand-by switch
3. Press the wireless activation button on the cleaner for 6 seconds. The wireless activation lamp blinks in green and then become red. After that, press the wireless activation button on the tool in the same way.  
▶ **Fig.16:** 1. Wireless activation button 2. Wireless activation lamp

If the cancellation is performed successfully, the wireless activation lamps will light up in red for 2 seconds and start blinking in blue.

**NOTE:** The wireless activation lamps finish blinking in red after 20 seconds elapsed. Press the wireless activation button on the tool while the wireless activation lamp on the cleaner is blinking. If the wireless activation lamp does not blink in red, push the wireless activation button briefly and hold it down again.

## Erasing all tool registrations

You can erase all tool registrations from the cleaner as follows.











- ▶ **Fig.17:** 1. Stand-by switch 2. Wireless activation button 3. Wireless activation lamp
1. Install the batteries to the cleaner.
  2. Set the stand-by switch to "AUTO".
  3. Hold down the wireless activation button for about 6 seconds until the wireless activation lamp blinks in red (about twice per one second).
  4. When the wireless activation lamp starts blinking in red, release your finger from the wireless activation button. Thereafter, hold down the wireless activation button again for about 6 seconds.
  5. When the wireless activation lamp starts blinking fast (about 5 times per one second) in red, release your finger from the wireless activation button. When the wireless activation lamp lights up in red and later lights off, all tool registrations are erased.

**NOTE:** If the wireless activation lamp does not blink in red, press the wireless activation button briefly and try again.

## Description of the wireless activation lamp status

- ▶ **Fig.18:** 1. Wireless activation button 2. Wireless activation lamp

The wireless activation lamp shows the status of the wireless activation function. Refer to the below table for the meaning of the lamp status.

Status	Wireless activation lamp			Description	
	Color	 On	 Blinking		Duration
Standby	Blue			Cleaner: continuing Tool: 2 hours	Waiting for the tool registration or the wireless activation function is available. The lamp on the cleaner blinks when the stand-by switch is set in AUTO. The lamp on the tool blinks when the wireless activation button is pushed. The lamp on the tool will automatically turn off when no operation is performed for 2 hours.
				When the tool is running.	
Tool registration	Green			20 seconds	Ready for the tool registration. Searching the tool to be registered.
				2 seconds	The tool registration has been finished. The wireless activation lamp will start blinking in blue.
Cancelling/ erasing tool registration	Red	 (slow: 2 times/sec.)		20 seconds	Ready for the cancellation of the tool registration. Searching the tool to be cancelled.
		 (fast: 5 times/sec.)		When the wireless activation button is pressed down.	Ready to erase all tool registrations.
				2 seconds	The tool registration has been cancelled/erased. The wireless activation lamp will start blinking in blue.
Others	Red			3 seconds	The power is supplied to the wireless unit and the wireless activation function is starting up.
	Off	-		-	The stand-by switch is not set to "AUTO".

## Troubleshooting for wireless activation function

Before asking for repairs, conduct your own inspection first. If you find a problem that is not explained in the manual, do not attempt to dismantle the tool. Instead, ask Makita Authorized Service Centers, always using Makita replacement parts for repairs.

State of abnormality	Probable cause (malfunction)	Remedy
The wireless activation lamp does not light/blink.	The wireless unit is not installed into the tool. The wireless unit is improperly installed into the tool.	Install the wireless unit correctly in the tool.
	The terminal of the wireless unit and/or the slot is dirty.	Gently wipe off dust and dirt on the terminal of the wireless unit and clean the slot of the tool.
	The wireless activation button on the tool has not been pushed.	Push the wireless activation button on the tool briefly.
	The stand-by switch on the cleaner is not set to "AUTO".	Set the stand-by switch on the cleaner to "AUTO".
	No power supply	Supply the power to the tool and the cleaner.
Cannot finish tool registration / cancelling tool registration successfully.	The wireless unit is not installed into the tool. The wireless unit is improperly installed into the tool.	Install the wireless unit correctly in the tool.
	The terminal of the wireless unit and/or the slot is dirty.	Gently wipe off dust and dirt on the terminal of the wireless unit and clean the slot of the tool.
	The stand-by switch on the cleaner is not set to "AUTO".	Set the stand-by switch on the cleaner to "AUTO".
	No power supply	Supply the power to the tool and the cleaner.
	Incorrect operation	Push the wireless activation button briefly and perform the tool registration/cancellation procedures again.
	The tool and cleaner is away from each other (out of the transmission range).	Get the tool and the cleaner closer to each other. The maximum transmission distance is approximately 10 m however it may vary according to the circumstances.
	Before finishing the tool registration/cancellation; - the switch trigger on the tool is pulled or; - the power button on the cleaner is turned on.	Push the wireless activation button briefly and perform the tool registration/cancellation procedures again.
	The tool registration procedures for the tool or the cleaner has not finished.	Perform the tool registration procedures for the tool and the cleaner at the same timing.
Radio disturbance by other appliances which generate high-intensity radio waves.	Keep the tool and the cleaner away from the appliances such as Wi-Fi devices and microwave ovens.	

State of abnormality	Probable cause (malfunction)	Remedy
The cleaner does not run along with the switch operation of the tool.	The wireless unit is not installed into the tool. The wireless unit is improperly installed into the tool.	Install the wireless unit correctly in the tool.
	The terminal of the wireless unit and/or the slot is dirty.	Gently wipe off dust and dirt on the terminal of the wireless unit and clean the slot of the tool.
	The wireless activation button on the tool has not been pushed.	Push the wireless activation button briefly and make sure that the wireless activation lamp is blinking in blue.
	The stand-by switch on the cleaner is not set to "AUTO".	Set the stand-by switch on the cleaner to "AUTO".
	More than 10 tools are registered to the cleaner.	Perform the tool registration again. If more than 10 tools are registered to the cleaner, the tool registered earliest will be cancelled automatically.
	The cleaner erased all tool registrations.	Perform the tool registration again.
	No power supply	Supply the power to the tool and the cleaner.
	The tool and cleaner is away from each other (out of the transmission range).	Get the tool and the cleaner closer to each other. The maximum transmission distance is approximately 10 m however it may vary according to the circumstances.
	Radio disturbance by other appliances which generate high-intensity radio waves.	Keep the tool and the cleaner away from the appliances such as Wi-Fi devices and microwave ovens.
The cleaner runs while the tool's switch trigger is not pulled.	Other users are using the wireless activation of the cleaner with their tools.	Turn off the wireless activation button of the other tools or cancel the tool registration of the other tools.
Cannot erase all tool registrations in the cleaner.	Pressing the wireless button on the tool.	Press the wireless button on the cleaner for erasing all tool registrations.
	The stand-by switch on the cleaner is not set to "AUTO".	Set the stand-by switch on the cleaner to "AUTO".
	The wireless activation button is not hold down correctly.	Hold down the wireless activation button for more than 6 seconds and then release it when the wireless activation lamp blinks in red. Hold down the wireless activation button for more than 6 seconds again until the wireless activation button rapidly blinks in red and then release the button.

## PARTS DESCRIPTION

- Fig.19: 1. Tank cover 2. Powder filter (HEPA)  
3. Damper 4. Prefilter 5. Tank

## ASSEMBLY

**⚠ CAUTION:** Always be sure that the tool is switched off and the battery cartridge is removed before carrying out any work on the tool.

**⚠ CAUTION:** Always wear dust mask during assembly or maintenance.

## Installing the powder filter (HEPA) and prefilter (for dry dust)

**⚠ CAUTION:** Never pick up water or other liquids or wet dusts when using the powder filter. Picking up such things may cause the powder filter breakage.

To use powder filter:

- Place the prefilter in the tank with aligning the mounting position markings.
  - Mount the damper on the powder filter and then place them in the prefilter with aligning the mounting position markings.
  - Finally, mount the tank cover and lock it.
- Fig.20: 1. Tank cover 2. Powder filter (HEPA)  
3. Damper 4. Prefilter 5. Tank 6. Mounting position marking

**NOTICE:** Before using the powder filter, make sure that prefilter and damper are always used together. It is not allowed to install powder filter solely.

## Installing the paper pack

### Optional accessory

**WARNING:** When using the paper pack, also use the prefilter together that is preinstalled on the tool. Failure to use the prefilter together may cause unusual noise and heat, resulting in a fire.

**CAUTION:** Before using the paper pack, make sure that powder filter, damper and prefilter are always used together.

1. Remove the rubber holder.  
► **Fig.21:** 1. Rubber holder
2. Extend the paper pack.
3. Align the paper pack opening with the dust suction opening of the cleaner.
4. Insert the cardboard of the paper pack onto the holder so that it is positioned at the end beyond the detent protrusion.  
► **Fig.22:** 1. Paper pack 2. Holder

## Installing the polyethylene bag

Cleaner can also be used without polyethylene bag. However, using polyethylene bag is easier to empty the tank without letting your hands dirty.

Spread the polyethylene bag in the tank. Insert it between the holder plate and the tank, and pull it to the hose inlet.

► **Fig.23:** 1. Holder plate 2. Polyethylene bag

Spread the bag around the top of the tank so that the prefilter edge can catch and hold the bag securely.

► **Fig.24:** 1. Prefilter

**NOTE:** A polyethylene bag available on the market can be used. 0.04 mm or thicker one is recommended.

**NOTE:** Too much dust will tear the bag easily, so do not collect the dust more than the half of the bag capacity.

## Emptying the polyethylene bag

**WARNING:** Always make sure that the cleaner is switched off and the battery cartridge is removed before emptying the polyethylene bag. Failure to do so may cause an electric shock and serious personal injury.

**CAUTION:** Do not apply a great impact on the tank. Applying a great impact may cause deformation and damage to the parts.

**CAUTION:** Empty the tank at least once a day although this depends on picked-up dust volume in the tank. Or, the suction force will weaken and the motor may be broken.

**CAUTION:** Do not grab the hook when emptying the tank. Grabbing the hook may cause the hook to break.

Unhook and lift up the tank cover. Shake off the dust from the prefilter and then take the polyethylene bag out of the tank.

► **Fig.25**

**NOTE:** Take the polyethylene bag carefully out of the tank so that the polyethylene bag cannot be caught and torn by the protrusion inside the tank when emptying it.

**NOTE:** Empty the polyethylene bag before it becomes full. Too much dust in the tank may cause the polyethylene bag to be torn.

## Installing the tool box

1. Release the lock of the battery cover, and open the battery cover.
2. Set the rails on the tool box along the grooves on the housing.
3. Close the battery cover and apply the lock.  
► **Fig.26**

The tool box is convenient for carrying batteries, pipe, or cuffs.

► **Fig.27**

## Connecting the hose

**NOTICE:** Never force the hose for bending or stamp it. Never move the cleaner by a hose. Forcing, stamping and pulling the hose may cause a breakage or deformation of the hose.

**NOTICE:** When picking up large wastes such as planer carvings, concrete dusts or similar other than small wastes, use the 38 mm inner diameter hose (optional accessory). Using the 28 mm inner diameter hose (optional accessory) may cause a hose stuffing and damage.

Insert the hose onto the mounting port of the tank and turn it clockwise until it locks.

► **Fig.28**



## MAINTENANCE

**⚠ CAUTION:** Always be sure that the tool is switched off and the battery cartridge is removed before attempting to perform inspection or maintenance.

**NOTICE:** Never use gasoline, benzine, thinner, alcohol or the like. Discoloration, deformation or cracks may result.

### Storage of accessories

The pipes can be placed into the pipe holder when not using the cleaner for a short time.

► Fig.29

► Fig.30

The hose can be stored around the tool by connecting each ends.

► Fig.31

### Cleaning of powder filter (HEPA) and prefilter

Clogged powder filter, prefilter and damper cause poor suction performance. Clean out the filters and dampers from time to time.

To remove dust or particles adhering to the filters, shake the frame bottom quickly several times.

► Fig.32

Occasionally wash the powder filter in water, rinse and dry thoroughly in the shade before use. Never wash filters in a washing machine.

**NOTE:** Do not rub or scratch the powder filter, the prefilter or the damper with hard objects such as a brush and a paddle.

**NOTE:** The filters wear out in course of time. It is recommended to have some spares for them.

To maintain product SAFETY and RELIABILITY, repairs, any other maintenance or adjustment should be performed by Makita Authorized or Factory Service Centers, always using Makita replacement parts.

## OPTIONAL ACCESSORIES

**⚠ CAUTION:** These accessories or attachments are recommended for use with your Makita tool specified in this manual. The use of any other accessories or attachments might present a risk of injury to persons. Only use accessory or attachment for its stated purpose.

If you need any assistance for more details regarding these accessories, ask your local Makita Service Center.

- Hose
- Front cuff (22, 24, 38)
- Straight pipe
- Corner nozzle
- Round brush
- Powder filter, HEPA (for dry dust)
- Damper
- Prefilter
- Nozzle assembly
- Bent pipe
- Polyethylene bag
- Paper pack
- Holder set
- Makita genuine battery and charger

**NOTE:** Some items in the list may be included in the tool package as standard accessories. They may differ from country to country.

## VARNING

Denna maskin kan användas av barn från 8 års ålder och äldre samt personer med nedsatt fysisk, sensorisk eller mental kapacitet eller brist på erfarenhet och kunskap förutsatt att de har fått handledning eller instruktioner om hur maskinen används på rätt sätt och förstår riskerna som det medför. Barn ska inte leka med maskinen. Rengöring och användarunderhåll ska inte utföras av barn utan tillsyn.

## SPECIFIKATIONER

<b>Modell:</b>	<b>DVC864L</b>
Standard filtertyp	Dammfilter (för torrt damm)
Flödesvolym (Luft) (med BL1850B, ø38 mm x 2,5 m slang)	2,1 m <sup>3</sup> /min
Dammsugning (med BL1850B, ø38 mm x 2,5 m slang)	98 hPa
Uppsamlingsförmåga	8 L
Dimensioner (L x B x H)	366 mm x 334 mm x 368 mm
Märkspänning	36 V likström
Standardbatterikassett	BL1815N, BL1820, BL1820B, BL1830, BL1830B, BL1840, BL1840B, BL1850, BL1850B, BL1860B
Nettovikt	7,7 - 8,4 kg
Bluetooth®-version	4,1 (Bluetooth low energy)
Frekvensband	2 402 - 2 480 MHz
Max radiofrekvenseffekt	1,0 dBm (EIRP)
Sändningsavstånd	Ca 10 m

- På grund av vårt pågående program för forskning och utveckling kan dessa specifikationer ändras utan föregående meddelande.
- Specifikationer och batterikassett kan variera mellan olika länder.
- Vikten inkluderar inte tillbehör men batterikassett(er). Den lättaste och tyngsta viktombinationen för maskin och batterikassett(er) visas i tabellen.



Bluetooth®-märket och -loggan är registrerade varumärken tillhörande Bluetooth SIG, Inc. och all användning av dylika märken av Makita sker på licens. Andra varumärken och varunamn tillhör respektive ägare.

## Symboler

Följande visar symbolerna som används för utrustningen. Se till att du förstår innebörden innan du använder bormaskinen.



Läs igenom bruksanvisningen.



Var extra försiktig och uppmärksam.



Varning! Dammsugaren kan innehålla farligt damm.



Stå aldrig på dammsugaren.



Dammklass L (lätt). Dammsugarna kan ta upp damm i klass L. Följ nationella bestämmelser rörande damm och arbetarskydd.



Gäller endast EU-länder  
Elektrisk utrustning eller batteripaket får inte kastas i hushållsavfallet! Enligt EU-direktiven som avser förbrukad elektrisk och elektronisk utrustning, batterier, ackumulatörer, förbrukade batterier och ackumulatörer, samt direktivens tillämpning enligt nationell lagstiftning, ska uttjänt elektrisk utrustning, batterier och batteripaket sorteras separat och lämnas till miljövänlig återvinning.

## Avsedd användning

Det här redskapet är avsett för insamling av torrt damm. Maskinen är avsedd för kommersiellt bruk, till exempel i hotell, skolor, sjukhus, fabriker, affärer, kontor och uthyrningsrörelser.

## Buller

Den normala bullernivån för A-belastning är bestämd enligt EN60335:

Ljudtrycksnivå ( $L_{pA}$ ): 70 dB (A) eller lägre  
Mättolerans (K): 2,5 dB (A)

Bullernivån vid arbete kan överstiga 80 dB (A).

**⚠ VARNING:** Använd hörselskydd.

## Vibration

Det totala vibrationsvärdet (treaxlad vektorsumma) bestämt enligt EN60335:

Vibrationsemission ( $a_{h,M}$ ): 2,5 m/s<sup>2</sup> eller lägre  
Mättolerans (K): 1,5 m/s<sup>2</sup>

**OBS:** Det deklarerade vibrationsemissionsvärdet har uppmätts i enlighet med standardtestmetoden och kan användas för att jämföra en maskin med en annan.

**OBS:** Det deklarerade vibrationsemissionsvärdet kan också användas i en preliminär bedömning av exponering för vibration.

**⚠ VARNING:** Vibrationsemissionen under faktisk användning av maskinen kan skilja sig från det deklarerade emissionsvärdet, beroende på hur maskinen används.

**⚠ VARNING:** Var noga med att identifiera säkerhetsåtgärder för att skydda användaren, vilka är grundade på en uppskattning av graden av exponering för vibrationer under de faktiska användningsförhållandena, (ta, förutom avtryckartiden, med alla delar av användarcykeln i beräkningen, som till exempel tiden då maskinen är avstängd och när den går på tomgång).

## EG-försäkran om överensstämmelse

### Gäller endast inom EU

EG-försäkran om överensstämmelse inkluderas som bilaga A till denna bruksanvisning.

# SÄKERHETSVARNINGAR

## Säkerhetsvarningar för sladdlös ryggdammsugare

**⚠ VARNING:** VIKTIGT! LÄS NOGGRANT igenom alla säkerhetsvarningar och anvisningar FÖRE ANVÄNDNING. Underlåtenhet att följa varningar och instruktioner kan leda till elstötar, brand och/eller allvarliga personskador.

1. **Före användning bör du se till att denna dammsugare endast används av personer som har fått korrekta instruktioner om hur dammsugaren ska användas.**
2. **Använd inte dammsugaren utan filtret. Byt genast ut ett skadat filter.**
3. **UNDVIK OAVSIKTLIG START.** Se till att strömbrytaren är AVSTÄNGD när batteriet/batterierna sätts i.
4. **Försök inte att suga upp lättantändliga material, fyrverkerier, tända cigaretter, het aska, heta metallfiosor, vassa material som rakblad, nålar, krossat glas eller liknande.**
5. **ANVÄND ALDRIG DAMMSUGAREN I NÄRHETEN AV BENSIN, GAS, FÄRG, LIM ELLER ANDRA HÖGEXPLOSIVA ÄMMEN.** Strömbrytaren avger gnistor när den slås PÅ och AV. Det gör även motorkommutatorn under användning. En farlig explosion kan uppstå.
6. **Sug aldrig upp giftiga, cancerframkallande, brännbara eller andra farliga material som asbest, arsenik, barium, beryllium, bly, bekämpningsmedel eller annat hälsofarliga material.**
7. **Använd aldrig dammsugaren utomhus i regnet.**
8. **Använd inte dammsugaren nära värmekällor (spisar osv.).**
9. **Blockera inte kylventiler.** Dessa ventiler kyler ner motorn. Var noggrann med att inte blockera dessa, då motorn bränns ut om det inte finns någon ventilation.
10. **Stå alltid stabilt och ha god balans hela tiden.**
11. **Slangen får inte vikas, ryckas i eller trampas på.**
12. **Stäng genast av dammsugaren om den suger dåligt eller något normalt sker med den under användningen.**
13. **TA BORT BATTERIET/BATTERIERNA.** När dammsugaren inte används, före service och vid byte av tillbehör.
14. **Rengör och serva dammsugaren omedelbart efter varje användning för att hålla den i perfekt skick.**
15. **UNDERHÅLL DAMMSUGAREN MED OMSORG.** Håll dammsugaren ren för bättre och säkrare användning. Följ anvisningarna för byte av tillbehör. Håll handtagen torra, rena och fria från olja och smuts.

16. **KONTROLLERA SKADADE DELAR.** Före fortsatt användning av dammsugaren ska ett skadat skydd eller annan del som är skadad noggrant kontrolleras för att avgöra om den kommer att fungera korrekt och utföra det arbete som den är avsedd för. Kontrollera inriktningen och fästet för rörliga delar, om det finns trasiga delar, monteringen eller andra förhållanden som kan påverka användningen av dammsugaren. Ett skydd eller annan del som är skadad ska repareras ordentligt eller bytas ut av ett auktoriserat servicecenter om inte något annat anges i denna bruksanvisning. Låt ett auktoriserat servicecenter byta ut trasiga strömbrytare. Använd inte dammsugaren om strömbrytaren inte sätter på eller stänger av den.
  17. **RESERVDELAR.** Vid service ska endast identiska reservdelar användas.
  18. **FÖRVARA DAMMSUGARE SOM INTE ANVÄNDS.** Dammsugaren ska förvaras inomhus när den inte används.
  19. Ta hand om din dammsugare. Hård hantering kan orsaka skada även på den mest robust byggda dammsugaren.
  20. Försök inte att rengöra utsidan eller insidan med bensin, thinner eller rengörande kemikalier. Det kan orsaka sprickor och missfärgning.
  21. Använd inte dammsugaren i ett slutet rum där lättantändliga, explosiva eller giftiga ångor avges från oljebaserad färg, thinner, bensin, malbehandlingsmedel osv., eller i områden där lättantändligt damm finns.
  22. Använd inte dammsugaren eller annan maskin under påverkan av droger eller alkohol.
  23. Som en grundläggande säkerhetsregel ska korgglasögon eller skyddsglasögon med sidoskydd användas.
  24. Använd en dammask under dammiga förhållanden.
  25. Denna maskin är inte avsedd för användning av personer med nedsatta fysiska, sensoriska eller mentala förmågor, eller som inte har nog med erfarenhet eller kunskap.
  26. Barn skall övervakas så att de inte leker med dammsugaren.
  27. Hantera aldrig batterier eller dammsugare med blöta händer.
  28. Var mycket försiktig vid rengöring av trappor.
  29. Använd inte dammsugaren som sittplats eller arbetsbänk. Maskinen kan ramla omkull och orsaka personskada.
- Användning och underhåll av batteri**
1. Ladda endast med den batteriladdare som angetts av tillverkaren. En laddare som passar en viss typ av batterier kan skapa risk för brand när den används tillsammans med annat batteri.
  2. Använd endast maskiner tillsammans med tillhörande batterier. Om andra batterier används kan risken för personskada och brand öka.
  3. När batteriet inte används bör det hållas borta från andra metallföremål som till exempel gem, mynt, nycklar, spik, skruv eller andra små metallföremål som kan skapa anslutning från en terminal till en annan. Kortslutning av batteripolerna kan orsaka brännskador eller brand.
  4. Under hårda förhållanden kan det komma vätska ur batteriet. Undvik kontakt. Spola med vatten om kontakt ändå råkar uppstå. Om vätskan kommer i kontakt med ögonen bör läkare uppsökas. Vätska från batteriet kan orsaka irritation på huden eller ge brännskador.
  5. Använd inte ett batteripaket eller maskin som är skadat eller ändrat. Skadade eller ändrade batterier kan uppföra sig opålitligt, vilket kan leda till brand, explosion eller skaderisk.
  6. Utsätt inte batteripaketet eller maskiner för brand eller höga temperaturer. Exponering för brand eller temperaturer över 130 °C kan leda till explosion.
  7. Följ alla laddningsinstruktioner och ladda inte batteripaketet eller maskinen utanför det temperaturintervall som anges i instruktionerna. Felaktig laddning, eller vid temperaturer utanför det angivna intervallet, kan skada batteriet och öka risken för brand.

## SPARA DESSA ANVISNINGAR.

**⚠ VARNING: GLÖM INTE** att också fortsättningsvis strikt följa säkerhetsanvisningarna för maskinen även efter att du blivit van att använda den. Vid **FELAKTIG HANTERING** av maskinen eller om inte säkerhetsanvisningarna i denna bruksanvisning följs kan följden bli allvarliga personskador.

## Viktiga säkerhetsanvisningar för batterikassetten

1. Innan batterikassetten används ska alla instruktioner och varningsmärken på (1) batteriladdaren, (2) batteriet och (3) produkten läsas.
2. Montera inte isär batterikassetten.
3. Om drifttiden blivit avsevärt kortare ska användningen avbrytas omedelbart. Det kan uppstå överhettning, brännskador och t o m en explosion.
4. Om du får elektrolyt i ögonen ska de sköljas med rent vatten och läkare uppsökas omedelbart. Det finns risk för att synen förloras.
5. Kortslut inte batterikassetten.
  - (1) Rör inte vid polerna med något strömförande material.
  - (2) Undvik att förvara batterikassetten tillsammans med andra metallobjekt som t.ex. spikar, mynt o.s.v.
  - (3) Skydda batteriet mot vatten och regn.
 En batterikortslutning kan orsaka ett stort strömflöde, överhettning, brand och maskinhaveri.
6. Förvara inte maskinen och batterikassetten på platser där temperaturen kan nå eller överstiga 50 °C.
7. Bränn inte upp batterikassetten även om den är svårt skadad eller helt utsliten. Batterikassetten kan explodera i öppen eld.
8. Var försiktig så att du inte råkar tappa batteriet och utsätt det inte för stötar.

9. Använd inte ett skadat batteri.
10. De medföljande litiumjonbatterierna är föremål för kraven i gällande lagstiftning för farligt gods.

För kommersiella transporter (av t.ex. tredje parter som speditionsfirmor) måste de särskilda transportkrav som anges på emballaget och etiketter iakttagas.

För att förbereda den produkt som ska avsändas krävs att du konsulterar en expert på riskmaterial. Var också uppmärksam på att det i ditt land kan finnas ytterligare föreskrifter att följa.

Tejpa över eller maskera blottade kontakter och packa batteriet på sådant sätt att det inte kan röra sig fritt i förpackningen.

11. Följ lokala föreskrifter beträffande avfallshandtering av batterier.
12. Använd endast batterierna med de produkter som specificerats av Makita. Att använda batterierna med ej godkända produkter kan leda till brand, överdriven värme, explosion eller utläckande elektrolyt.

## SPARA DESSA ANVISNINGAR.

**⚠ FÖRSIKTIGT:** Använda endast äkta Makita-batterier. Användning av oäkta Makita-batterier eller batterier som har manipulerats kan leda till person- och utrustningsskador eller till att batteriet fattar eld. Det upphäver också Makitas garanti för verktyget och laddaren.

## Tips för att uppnå batteriets maximala livslängd

- Ladda batterikassetten innan den är helt urladdad. Stanna alltid maskinen och ladda batterikassetten när du märker att maskinen blir svagare.
- Ladda aldrig en fulladdad batterikassetten. Överladdning förkortar batteriets livslängd.
- Ladda batterikassetten vid en rumstemperatur på 10 °C - 40 °C. Låt en varm batterikassetten svalna innan den laddas.
- Ladda batterikassetten om du inte har använt den på länge (mer än sex månader).

## Viktiga säkerhetsanvisningar för den trådlösa enheten

- Montera inte isär eller manipulera dammsugaren. Den trådlösa enheten i dammsugaren går inte att ta bort.
- Använd inte den trådlösa aktiveringsfunktionen i närheten av medicinsk utrustning, pacemakers eller automatiserade enheter som automatiska dörrar och brandlarm.
- Använd inte dammsugaren på platser där temperaturen överstiger 50 °C (122 °F).
- Den trådlösa enheten är ett noggrant instrument. Var försiktig så att du inte råkar tappa dammsugaren eller utsätter den för stötar.
- Lämna inte dammsugaren någonstans där det kan skapas statisk elektricitet eller elektriskt brus.

## FUNKTIONSBESKRIVNING

**⚠ FÖRSIKTIGT:** Se alltid till att maskinen är avstängd och batterikassetten borttagen innan du justerar maskinen eller kontrollerar dess funktioner.

## Montera eller demontera batterikassetten

**⚠ FÖRSIKTIGT:** Stäng alltid av maskinen innan du monterar eller tar bort batterikassetten.

**⚠ FÖRSIKTIGT:** Håll stadigt i maskinen och batterikassetten när du monterar eller tar bort batterikassetten. I annat fall kan det leda till att de glider ur dina händer och orsakar skada på maskinen och batterikassetten samt personskada.

**⚠ FÖRSIKTIGT:** Var försiktig så att du inte klämmer fingrarna när du öppnar/stänger batteriluckan. I annat fall kan personskada uppstå.

För att montera batterikassetten, lossa först spärren och öppna batterikåpan. Sätt sedan i batterikassetten.

► Fig.1: 1. Spärr 2. Batterikåpa

Rikta in tungan på batterikassetten mot spåret i höljet och skjut den på plats. Tryck in batterikassetten ordentligt tills den låser fast med ett klick. Läs därefter batterikåpan.

► Fig.2: 1. Batterikassetten

Ta bort batterikassetten genom att skjuta ner knappen på kassetten framsida samtidigt som du drar ut batterikassetten.

**⚠ FÖRSIKTIGT:** Sätt alltid i batterikassetten helt tills den röda indikatorn inte längre syns. I annat fall kan den oväntat falla ur maskinen och skada dig eller någon annan.

**⚠ FÖRSIKTIGT:** Montera inte batterikassetten med våld. Om kassetten inte lätt glider på plats är den felinsatt.

**OBS:** Dammsugaren fungerar inte med endast en batterikassetten.

## Indikerar kvarvarande batterikapacitet

Endast för batterikassetter med indikator

► Fig.3: 1. Indikatorlampor 2. Kontrollknapp

Tryck på kontrollknappen på batterikassetten för att se kvarvarande batterikapacitet. Indikatorlamporna lyser i ett par sekunder.

Indikatorlampor			Kvarvarande kapacitet
Upplyst	Av	Blinkar	
■	□	▧	
■ ■ ■ ■			75% till 100%
■ ■ ■ □			50% till 75%
■ ■ □ □			25% till 50%
■ □ □ □			0% till 25%
▧ □ □ □			Ladda batteriet.
■ ■ □ □			Batteriet kan ha skadats.
□ □ ■ ■			


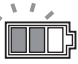
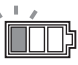

**OBS:** Beroende på användningsförhållanden och den omgivande temperaturen kan indikationen skilja sig lätt från den faktiska batterikapaciteten.

## Indikerar kvarvarande batterikapacitet

► **Fig.4:** 1. Batteriindikator 2. Kontrollknapp  
3. Stand-by-omkopplare

► **Fig.5**

Tryck på kontrollknappen för att se kvarvarande batterikapacitet. Batteriindikeringarna motsvarar varje batteri.

Batteriindikatorstatus			Kvarvarande batterikapacitet
På	Av	Blinkar	
■	□	▧	
			50 % till 100 %
			20 % till 50 %
			0 % till 20 %
			Ladda batteriet

**OBS:** När dammsugaren är påslagen och stand-by-knappen ställd på "AUTO", fungerar inte batteriindikatorn.

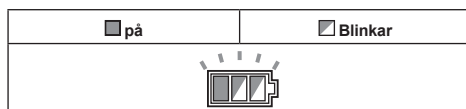
## Skyddssystem för maskinen/ batteriet

Verktyget är utrustat med ett skyddssystem för verktyget/batteriet. Detta system bryter automatiskt strömmen till motorn för att förlänga verktygets och batteriets livslängd. Verktyget stoppar automatiskt under användningen om verktyget eller batteriet hamnar i en av följande situationer:

### Överbelastningskydd

Om maskinen används på ett sätt som gör att den drar onormalt mycket ström kan den stoppas automatiskt utan någon varning. När detta sker stänger du av maskinen och upphör med arbetet som gjorde att maskinen överbelastades. Starta därefter upp maskinen igen.

### Överhettningsskydd



När maskinen blir överhettad stannar den av automatiskt och batteriindikatorn blinkar i cirka 60 sekunder. Låt maskinen svalna innan du startar den igen.

### Överurladdningskydd



När batteriets kapacitet är låg stoppar maskinen automatiskt. Om produkten inte fungerar trots att knapparna fungerar som de ska tar du bort batterierna från maskinen och laddar dem.

## Avtryckarens funktion

► **Fig.6:** 1. Stand-by-omkopplare 2. Strömbrytare  
3. Justeringsratt för sugstyrka

Att starta dammsugaren:

- Ställ stand-by-omkopplaren till läge "I". Dammsugaren är nu i stand-by-läge.
- Tryck in strömbrytaren. Tryck på strömbrytaren igen för att ställa dammsugaren i stand-by-läge. Ställ stand-by-omkopplaren i läge "O" för att stänga av dammsugaren.

Sugkraften kan justeras efter arbetsbehov. Sugkraften ökar genom att vrida justeringsratten för sugstyrka från symbolen  till symbolen .

**OBSERVERA:** Ställ alltid stand-by-omkopplaren i läge "O" när dammsugaren inte ska användas under en lång tid. Dammsugaren drar ström i stand-by-läge.

## Låsa eller låsa upp hjulet

- **Fig.7:** 1. Hjul 2. Spärrarm 3. Läge FREE 4. Läge LOCK

Att låsa hjulen är bekvämt när dammsugaren förvaras, när arbetet stannar av och för att hålla dammsugaren stilla.

Flytta stoppreglaget för hand.

För att låsa hjulet med ett stopp sänker du stoppreglaget och hjulet är låst. Frigör hjulet genom att lyfta upp stoppreglaget.

**OBS:** Kontrollera så att hjulen inte är låsta när du flyttar dammsugaren. I annat fall kan det skada hjulen.

## Bärhandtag

När du bär dammsugaren ska du hålla i handtaget som sitter på överdelen. Handtaget är infällbart på överdelen när det inte används.

- **Fig.8**

## FUNKTION FÖR TRÅDLÖS AKTIVERING

### Vad du kan göra med funktionen för trådlös aktivering

Funktionen för trådlös aktivering möjliggör en ren och bekväm körning. Genom att ansluta en maskin som stöds till dammsugaren, kan du göra så att dammsugaren automatiskt körs samtidigt som du använder maskinens knappfunktion.

- **Fig.9**

**OBSERVERA:** Se till att låsa maskinens bruksanvisning när du använder dammsugaren med trådlös aktiveringsfunktion.

**OBSERVERA:** Montera inte isär eller manipulera den trådlösa enheten.

**OBSERVERA:** Stäng alltid locket till maskinens trådlösa enhet vid användning eller förvaring.

**OBSERVERA:** Ta inte bort den trådlösa enheten från maskinen medan ström tillförs till maskinen. Att göra det kan orsaka funktionsfel på den trådlösa enheten.

**OBSERVERA:** Tryck inte för hårt på knappen för trådlös aktivering och/eller tryck inte på knappen med ett föremål med vass kant.

**OBS:** Trådlös aktivering erfordrar Makita-maskiner utrustade med trådlös enhet.

**OBS:** Innan den trådlösa aktiveringsfunktionen används för första gången krävs att maskinen registreras. När registreringen är avslutad för maskinen krävs ingen ny registrering, såvida inte den avbröts.

**OBS:** Innan registrering måste den trådlösa enheten vara ordentligt monterad i maskinen.

**OBS:** En dammsugare kan registrera upp till 10 maskiner. Om fler än 10 verktyg är registrerade till dammsugaren, blir det verktyg som registrerades tidigast automatiskt upphävt.

**OBS:** Placeringen av den trådlösa aktiveringsknappen varierar med maskin.

**OBS:** Dammsugaren startar även när man trycker på strömbrytaren när stand-by-knappen är inställd på "AUTO".

Men strömbrytaren fungerar inte när den trådlösa aktiveringsfunktionen används.

## Maskinregistrering för dammsugaren

**OBS:** För maskinregistreringen krävs en Makita-maskin som har stöd för den trådlösa aktiveringsfunktionen.

**OBS:** Avsluta installationen av den trådlösa enheten till maskinen innan du inleder maskinregistreringen.

**OBS:** Använd inte maskinens avtryckare under maskinregistreringen och aktivera inte strömbrytaren på dammsugaren.

**OBS:** Se även maskinens bruksanvisning.

Om du vill aktivera dammsugaren tillsammans med maskinens knappfunktion, ska du slutföra maskinregistreringen i förväg.

1. Installera batterierna i dammsugaren och maskinen.

2. Sätt dammsugarens stand-by-omkopplare på "AUTO".

- **Fig.10:** 1. Stand-by-omkopplare

3. Tryck på knappen för trådlös aktivering på dammsugaren i 3 sekunder tills lampan för trådlös aktivering blinkar grönt. Tryck sedan på knappen för trådlös aktivering på maskinen på samma sätt.

- **Fig.11:** 1. Knapp för trådlös aktivering 2. Lampa för trådlös aktivering

Om dammsugaren och maskinen har kopplats ihop ordentligt, kommer lamporna för trådlös aktivering att lysa grönt i 2 sekunder och börja blinka i blått.

**OBS:** Lamporna för trådlös aktivering slutar blinka grönt efter att 20 sekunder har gått. Tryck på knappen för trådlös aktivering på maskinen när lampan för trådlös aktivering på dammsugaren blinkar. Om lampan för trådlös aktivering inte blinkar grönt, trycker du kort på knappen för trådlös aktivering och håller in den igen.

**OBS:** När du utför två eller flera maskinregistreringar för en dammsugare avslutar du maskinregistreringarna en och en.

## Starta funktionen för trådlös aktivering

**OBS:** Avsluta maskinregistreringen för dammsugaren för den trådlösa aktiveringen.

**OBS:** Placera alltid dammsugaren så att du kan se status för lampan för trådlösa aktiveringen.

**OBS:** Se även maskinens bruksanvisning.

Efter att en maskin registrerats till dammsugaren kommer den att köras automatiskt tillsammans med maskinens knappfunktion.

1. Installera den trådlösa enheten till maskinen.
2. Anslut dammsugarslangens till maskinen.  
► **Fig.12**
3. Sätt dammsugarens stand-by-omkopplare på "AUTO".  
► **Fig.13:** 1. Stand-by-omkopplare
4. Tryck kort på knappen för trådlös aktivering på maskinen. Lampan för trådlös aktivering blinkar blått.  
► **Fig.14:** 1. Knapp för trådlös aktivering 2. Lampa för trådlös aktivering
5. Tryck på maskinens avtryckare. Kontrollera om dammsugaren är igång medan maskinens avtryckare är intryckt.

För att stoppa den trådlösa aktiveringen, tryck på knappen för den trådlösa aktiveringen på maskinen, eller ställ dammsugarens stand-by-omkopplare på läge "I" eller "O".

**OBS:** Lampan för trådlös aktivering på maskinen slutar blinka blått när ingen användning har skett på 2 timmar. Sätt i så fall standby-omkopplaren på dammsugaren på "AUTO" och tryck igen på knappen för trådlös aktivering på maskinen.

**OBS:** Dammsugaren startar/stannar med en fördröjning. Det blir en tidsfördröjning när dammsugaren känner av en knappfunktion från maskinen.

**OBS:** Sändningsavståndet till den trådlösa enheten kan variera beroende på plats och omständigheter i omgivningen.

**OBS:** När två eller flera maskiner är registrerade till en dammsugare, kan dammsugaren gå igång även om du inte trycker på avtryckaren eftersom en annan användare använder funktionen för trådlös aktivering.

## Upphäver maskinregistrering för dammsugaren

Utför följande rutin vid upphävande av maskinregistreringen för dammsugaren.

1. Installera batterierna i dammsugaren och maskinen.
2. Sätt dammsugarens stand-by-omkopplare på "AUTO".  
► **Fig.15:** 1. Stand-by-omkopplare
3. Tryck på knappen för trådlös aktivering på dammsugaren i 6 sekunder. Lampan för trådlös aktivering blinkar grönt och blir sedan röd. Tryck sedan på knappen för trådlös aktivering på maskinen på samma sätt.  
► **Fig.16:** 1. Knapp för trådlös aktivering 2. Lampa för trådlös aktivering

Om upphävandet har utförts ordentligt, kommer lamporna för trådlös aktivering att lysa rött i 2 sekunder och börja blinka i blått.

**OBS:** Lamporna för trådlös aktivering slutar blinka rött efter att 20 sekunder har gått. Tryck på knappen för trådlös aktivering på maskinen när lampan för trådlös aktivering på dammsugaren blinkar. Om lampan för trådlös aktivering inte blinkar rött, trycker du kort på knappen för trådlös aktivering och håller in den igen.

## Radera alla maskinregistreringar

Du kan radera alla maskinregistreringar från dammsugaren på följande sätt.

- **Fig.17:** 1. Stand-by-omkopplare 2. Knapp för trådlös aktivering 3. Lampa för trådlös aktivering
1. Installera batterierna i dammsugaren.
  2. Sätt stand-by-omkopplaren på "AUTO".
  3. Håll knappen för trådlös aktivering nedtryckt i ca 6 sekunder till lampan för trådlös aktivering blinkar rött (ca två gånger per sekund).
  4. Släpp fingret från knappen för den trådlösa aktiveringen när lampan för trådlös aktivering börjar blinka rött. Håll därefter knappen för trådlös aktivering nedtryckt igen ca 6 sekunder.
  5. Släpp fingret från knappen för den trådlösa aktiveringen när lampan för trådlös aktivering börjar blinka rött snabbt (ca 5 gånger per sekund). När lampan för trådlös aktiveringen lyser rött och sedan slocknar har alla maskinregistreringar raderats.











**OBS:** Om lampan för trådlös aktivering inte blinkar rött trycker du kort på knappen för trådlös aktivering och provar igen.



## Beskrivning av status för lampan för trådlös aktivering

► **Fig.18:** 1. Knapp för trådlös aktivering 2. Lampan för trådlös aktivering

Lampan för trådlös aktivering visar status för den trådlösa aktiveringsfunktionen. Se lampans status i tabellen nedan.

Status	Lampa för trådlös aktivering			Varaktighetstid	Beskrivning
	Färg	 På	 Blinkar		
Standby	Blå			Dammsugare: fortsättning Maskin: 2 timmar	Vänta tills maskinregistrering eller trådlös aktiveringsfunktion är tillgänglig. Lampan på dammsugaren blinkar när stand-by-omkopplaren ställs i läge AUTO. Lampan på maskinen blinkar när knappen för den trådlösa aktiveringen trycks in. Lampan på maskinen slocknar automatiskt när ingen användning har ägt rum på 2 timmar.
				När maskinen är igång.	Den trådlösa aktiveringen av dammsugaren är tillgänglig och maskinen är igång.
Maskinregistrering	Grön			20 sekunder	Redo för maskinregistrering. Letar efter maskin som ska registreras.
				2 sekunder	Maskinregistreringen har avslutats. Lampan för trådlös aktivering börjar blinka blått.
Avbryta/radera maskinregistrering	Röd	 (sakta: 2 gånger/sekund)		20 sekunder	Redo för att upphäva maskinregistreringen. Letar efter maskin som ska avbrytas.
		 (snabbt: 5 gånger/sekund)		När knappen för trådlös aktivering trycks ner.	Redo att radera alla maskinregistreringar.
				2 sekunder	Maskinregistreringen har avbrutits/raderats. Lampan för trådlös aktivering börjar blinka blått.
Övriga	Röd			3 sekunder	Ström tillförs till den trådlösa enheten och funktionen för trådlös aktivering startar.
	Av	-		-	Stand-by-omkopplaren inte satt på "AUTO".

## Felsökning för funktionen för trådlös aktivering

Innan du ber om reparation ska du först utföra en egen kontroll. Om du hittar ett problem som inte finns förklarat i bruksanvisningen ska du inte försöka att ta isär maskinen. Fråga istället ett auktoriserad servicecenter för Makita, och använd alltid reservdelar från Makita för reparationer.

Feltillstånd	Trolig orsak (felsfunktion)	Åtgärd
Lampan för trådlös aktivering lyser/ blinkar inte.	Den trådlösa enheten är inte installerad till maskinen. Den trådlösa enheten är felaktigt installerad till maskinen.	Installera den trådlösa enheten korrekt i maskinen.
	Den trådlösa enhetens kontakt och/eller skåran är smutsig.	Torka försiktigt av damm och smuts på den trådlösa enhetens kontakt och rengör skåran på maskinen.
	Knappen för trådlös aktivering på maskinen har inte tryckts.	Tryck kort på knappen för trådlös aktivering på maskinen.
	Stand-by-omkopplaren på dammsugaren är inte satt på "AUTO".	Sätt dammsugarens stand-by-omkopplare på "AUTO".
	Ingen strömtillförsel	Koppla in ström till maskinen och dammsugaren.
Kan inte avsluta maskinregistrering/ upphäva maskinregistrering.	Den trådlösa enheten är inte installerad till maskinen. Den trådlösa enheten är felaktigt installerad till maskinen.	Installera den trådlösa enheten korrekt i maskinen.
	Den trådlösa enhetens kontakt och/eller skåran är smutsig.	Torka försiktigt av damm och smuts på den trådlösa enhetens kontakt och rengör skåran på maskinen.
	Stand-by-omkopplaren på dammsugaren är inte satt på "AUTO".	Sätt dammsugarens stand-by-omkopplare på "AUTO".
	Ingen strömtillförsel	Koppla in ström till maskinen och dammsugaren.
	Felaktig funktion	Tryck kort på knappen för trådlös aktivering och utför rutinerna för maskinregistrering/-upphävande igen.
	Maskinen och dammsugaren är åtskilda från varandra (utanför sändningsområdet).	Se till att maskinen och dammsugaren hamnar närmare varandra. Det maximala sändningsavståndet är ca 10 m, men det kan variera beroende på omständigheterna.
	Innan verktygsregistreringen/-upphävandet avslutas: - tryck på avtryckaren på maskinen, - sätt på strömknappen på dammsugaren.	Tryck kort på knappen för trådlös aktivering och utför rutinerna för maskinregistrering/-upphävande igen.
	Maskinregistreringsrutinerna för maskinen eller dammsugaren har inte slutförts.	Utför maskinregistreringsrutinerna för både maskinen och dammsugaren på samma gång.
	Radiostörningar från andra apparater som skapar högtintensiva radiovågor.	Håll maskinen och dammsugaren borta från apparater som WiFi-enheter och mikrovågsugnar.

Feltillstånd	Trolig orsak (felsfunktion)	Åtgärd
Damsugaren är inte igång samtidigt som maskinens knappfunktion.	Den trådlösa enheten är inte installerad till maskinen. Den trådlösa enheten är felaktigt installerad till maskinen.	Installera den trådlösa enheten korrekt i maskinen.
	Den trådlösa enhetens kontakt och/eller skåran är smutsig.	Torka försiktigt av damm och smuts på den trådlösa enhetens kontakt och rengör skåran på maskinen.
	Knappen för trådlös aktivering på maskinen har inte tryckts.	Tryck kort på knappen för trådlös aktivering och försäkra dig om att lampan för trådlös aktivering blinkar blått.
	Stand-by-omkopplaren på dammsugaren är inte satt på "AUTO".	Sätt dammsugarens stand-by-omkopplare på "AUTO".
	Fler än 10 maskiner är registrerade till dammsugaren.	Utför maskinregistreringen igen. Om fler än 10 maskiner är registrerade till dammsugaren blir den maskin som registrerades tidigast automatiskt upphävt.
	Damsugaren har raderat alla maskinregistreringar.	Utför maskinregistreringen igen.
	Ingen strömtillförsel	Koppla in ström till maskinen och dammsugaren.
	Maskinen och dammsugaren är åtskilda från varandra (utanför sändningsområdet).	Se till att maskinen och dammsugaren hamnar närmare varandra. Det maximala sändningsavståndet är ca 10 m, men det kan variera beroende på omständigheterna.
	Radiostörningar från andra apparater som skapar högt intensiva radiovågor.	Håll maskinen och dammsugaren borta från apparater som WiFi-enheter och mikrovågsugnar.
Damsugaren är igång fast maskinens avtryckare inte är intryckt.	Andra användare använder den trådlösa aktiveringen av dammsugaren med sina maskiner.	Stäng av de andra maskinernas knappar för trådlös aktivering eller upphäv maskinregistreringen för de andra maskinerna.
Kan inte radera alla maskinregistreringar på dammsugaren.	Tryck på knappen trådlös på maskinen.	Tryck på knappen trådlös på dammsugaren för att radera alla maskinregistreringar.
	Stand-by-omkopplaren på dammsugaren är inte satt på "AUTO".	Sätt dammsugarens stand-by-omkopplare på "AUTO".
	Knappen för trådlös aktivering trycks inte ner ordentligt.	Håll knappen för trådlös aktivering nedtryckt i mer än 6 sekunder och släpp den igen när lampan för trådlös aktivering blinkar rött. Håll knappen för trådlös aktivering nedtryckt i mer än 6 sekunder igen tills knappen för trådlös aktivering blinkar rött snabbt och släpp den igen.

## BESKRIVNING AV DELAR

- **Fig.19:** 1. Tankhölje 2. Dammfilter (HEPA)  
3. Stötdämpare 4. Förfilter 5. Tank

## MONTERING

**⚠ FÖRSIKTIGT:** Se alltid till att maskinen är avstängd och batterikassetten borttagen innan du underhåller maskinen.

**⚠ FÖRSIKTIGT:** Bär alltid andningsmask vid montering eller underhåll.

### Montering av dammfilter (HEPA) och förfilter (för torrt damm)

**⚠ FÖRSIKTIGT:** Sug aldrig upp vatten eller andra vätskor eller blött damm när dammfiltret används. Om sådant sugs in kan det medföra att dammfiltret går sönder.

Att använda dammfilter:

1. Placera förfiltret i tanken genom att rikta in det efter markeringen för monteringsläget.
  2. Montera stötdämparen på dammfiltret och placera dem därefter i förfiltret genom att rikta in dem efter markeringen för monteringsläget.
  3. Montera slutligen tankhöljet och lås det.
- **Fig.20:** 1. Tankhölje 2. Dammfilter (HEPA)  
3. Stötdämpare 4. Förfilter 5. Tank  
6. Markering för monteringsläge

**OBSERVERA:** Innan dammfiltret används ska du kontrollera att förfiltret och stötdämparen alltid används tillsammans. Det är inte tillåtet att endast montera dammfiltret.

### Montera pappersbehållaren

Valfria tillbehör

**⚠ VARNING:** När pappersbehållare används ska också förfiltret användas som finns förmonterat på maskinen. I annat fall kan det orsaka onormalt buller och hetta vilket resulterar i brand.

**⚠ FÖRSIKTIGT:** Innan pappersbehållaren används ska du kontrollera att dammfiltret, stötdämparen och förfiltret alltid används tillsammans.

1. Ta bort gummihandtaget.  
► **Fig.21:** 1. Gummihandtag
2. Veckla ut pappersbehållaren.
3. Rikta in öppningen på pappersbehållaren med öppningen på dammsugarens dammsug.  
4. För in pappersbehållarens kartongpapp i fästet så att den är placerad vid slutet, bakom den utskjutande spärrhaken.  
► **Fig.22:** 1. Pappersbehållare 2. Hållare

## Montering av polyetylenpåsen

Dammsugare kan också användas utan polyetylenpåse. Men genom att använda en polyetylenpåse är det lättare att tömma tanken utan att smutsa ner händerna.

Veckla ut polyetylenpåsen i tanken. Sätt i den mellan hållarplattan och tanken, och dra den till slangintaget.

► **Fig.23:** 1. Hållarplatta 2. Polyetylenpåse

Sprid påsen runt toppen av tanken så att förfiltrets kant kan greppa tag och hålla påsen ordentligt.

► **Fig.24:** 1. Förfilter

**OBS:** Polyetylenpåsar som finns i handeln kan användas. 0,04 mm eller tjockare rekommenderas.

**OBS:** För mycket damm tar lätt sönder påsen, så fyll inte påsen mer än till hälften.

## Töm polyetylenpåsen

**⚠ VARNING:** Se alltid till att dammsugaren är avstängd och att batterikassetten är urtagen innan polyetylenpåsen töms. I annat fall kan det orsaka en elektrisk stöt och allvarig personskada.

**⚠ FÖRSIKTIGT:** Tryck inte hårt på tanken. I annat fall kan det orsaka deformation och skada på delar.

**⚠ FÖRSIKTIGT:** Töm tanken åtminstone en gång per dag (fast detta beror ju på den uppsugna mängden i tanken). Annars kan sugkraften minska och motorn kan gå sönder.

**⚠ FÖRSIKTIGT:** Ta inte tag i haken när du tömmer tanken. I annat fall kan haken gå sönder.

Lossa hakarna och lyft upp tankhöjlet. Skaka av damm från förfiltret och ta sedan ut polyetylenpåsen ur tanken.

► **Fig.25**

**OBS:** Ta försiktigt ut polyetylenpåsen ur tanken så att den inte fångas upp och går sönder av den utskjutande delen på insidan av tanken när påsen ska tömmas.

**OBS:** Töm polyetylenpåsen innan den blir full. För mycket damm i tanken kan leda till att polyetylenpåsen går sönder.

## Montera verktyglådan

1. Lossa batterikåpans spärr och öppna batterikåpan.
2. Placera verktyglådans skenor i höljets spår.
3. Stäng batterikåpan och lås spärren.  
► **Fig.26**

Verktyglådan är behändig för att bära batterier, rör eller kopplingar.

► **Fig.27**

## Anslutning av slangen

**OBSERVERA:** Böj aldrig slangen med tvång eller trampa på den. Förflytta aldrig dammsugaren genom att dra i slangen. Att tvinga, trampa på eller att dra i slangen kan ta sönder eller deformera den.

**OBSERVERA:** Vid uppsugning av stora bitar såsom hyvelspån, betongdamm eller liknande ska slangen med en innerdiameter på 38 mm (valfritt tillbehör) användas. Att använda slangen med en innerdiameter på 28 mm (valfritt tillbehör) kan blockera och skada den.

Trä på slangen på monteringsöppningen på tanken och vrid den medurs tills den låser fast.

► **Fig.28**

## UNDERHÅLL

**⚠ FÖRSIKTIGT:** Se alltid till att maskinen är avstängd och batterikassetten borttagen innan inspektion eller underhåll utförs.

**OBSERVERA:** Använd inte bensin, förtunningsmedel, alkohol eller liknande. Missfärgning, deformation eller sprickor kan uppstå.

## Förvaring av tillbehör

Rören kan placeras i rörhållaren när du slutar att använda dammsugaren för ett ögonblick.

► **Fig.29**

► **Fig.30**

Slangen kan förvaras runt dammsugaren genom att ansluta de båda ändarna.

► **Fig.31**

## Rengöring av dammfilter (HEPA) och förfilter

Igensatt dammfilter, förfilter och stötdämpare orsakar dålig sugfunktion. Rengör filtren och stötdämparna då och då.

Skaka rambotten snabbt flera gånger för att avlägsna damm och partiklar som fastnat i filtren.

► **Fig.32**

Tvätta dammfiltret då och då i vatten, skölj och torka noggrant i skuggan före användning. Tvätta aldrig filtren i tvättmaskinen.

**OBS:** Skrubba inte eller skrapa på dammfiltret, förfiltret eller stötdämparen med hårda föremål såsom en borste eller spatel.

**OBS:** Filtren slits ut med tiden. Det rekommenderas att ha filter i reserv.

För att upprätthålla produktens SÄKERHET och TILLFÖRLITLIGHET bör allt underhålls- och justeringsarbete utföras av ett auktoriserat Makita servicecenter och med reservdelar från Makita.

## VALFRIA TILLBEHÖR

**⚠ FÖRSIKTIGT:** Följande tillbehör eller tillsatser rekommenderas för användning med den Makita-maskin som denna bruksanvisning avser.

Om andra tillbehör eller tillsatser används kan det uppstå risk för personskador. Använd endast tillbehören eller tillsatserna för de syften de är avsedda för.

Kontakta ditt lokala Makita servicecenter om du behöver ytterligare information om dessa tillbehör.

- Slang
- Främre kopplingar (22, 24, 38)
- Rakt rör
- Hörmunstycke
- Rund borste
- Dammfilter, HEPA (för torrt damm)
- Stötdämpare
- Förfilter
- Munstycke
- Vinklat rör
- Polyetylenpåse
- Pappersbehållare
- Hållarsats
- Makitas originalbatteri och -laddare

**OBS:** Några av tillbehören i listan kan vara inkluderade i maskinpaketet som standardtillbehör. De kan variera mellan olika länder.

## ADVARSEL

Dette apparatet kan brukes av barn fra 8 år og oppover og av personer med reduserte fysiske, sensoriske eller mentale evner eller mangel på erfaring og kunnskap, såfremt de holdes under oppsyn, har blitt gitt instruksjoner om sikker bruk av apparatet og forstår farene som er involvert. Barn skal ikke leke med apparatet. Rengjøring og brukervedlikehold skal ikke utføres av barn uten oppsyn.

## TEKNISKE DATA

<b>Modell:</b>	<b>DVC864L</b>
Standard filtertype	Pulverfilter (for tørt støv)
Volumstrøm (luft) (med BL1850B, ø38 mm x 2,5 m slange)	2,1 m <sup>3</sup> /min
Vakuum (med BL1850B, ø38 mm x 2,5 m slange)	98 hPa
Gjenvinnbar kapasitet	8 L
Mål (L x B x H)	366 mm x 334 mm x 368 mm
Nominell spenning	DC 36 V
Standard batteriinnsets	BL1815N, BL1820, BL1820B, BL1830, BL1830B, BL1840, BL1840B, BL1850, BL1850B, BL1860B
Nettvekt	7,7 - 8,4 kg
Bluetooth®-versjon	4,1 (Bluetooth low energy)
Frekvensbånd	2 402 - 2 480 MHz
Maksimal radiofrekvenseffekt	1,0 dBm (EIRP)
Overføringsrekkevidde	Ca. 10 m

- På grunn av vårt kontinuerlige forsknings- og utviklingsprogram kan spesifikasjonene som oppgis i dette dokumentet endres uten varsel.
- Spesifikasjoner og batteriinnsets kan variere fra land til land.
- Vekten omfatter ikke tilbehør, men batteri(er). Den letteste og tyngste vektkombinasjonen av innretningen og batteri(er) vises i tabellen.



Bluetooth®-ordmerket og -logoene er registrerte varemerker som tilhører Bluetooth SIG, Inc., og all bruk av slike merker av Makita, skjer på lisens. Andre varemerker og handelsnavn tilhører de respektive eierne.

## Symboler

Nedenfor ser du symbolene som brukes for dette utstyret. Forviss deg om at du forstår hva de betyr, før du begynner å bruke maskinen.



Les bruksanvisningen.



Vær spesielt forsiktig og oppmerksom.



Advarsel! Støvsugeren kan inneholde farlig støv.



Du må aldri stå på støvsugeren.



Støvklasser L (lett). Støvsugeren er i stand til å plukke opp støv i klasse L. Følg lokale forskrifter angående støv, helse og sikkerhet.



Kun for land i EU  
Kast aldri elektroutstyr eller batteripakker i husholdningsavfallet! I henhold til EU-direktivene om kasserte elektriske og elektroniske produkter og om batterier og akkumulatører og brukte batterier og akkumulatører og direktivenes iverksetting i nasjonal rett, må elektriske produkter og batterier og batteripakker som ikke lenger skal brukes, samles separat og returneres til et miljøvennlig gjenvinningsanlegg.

## Riktig bruk

Denne maskinen er laget for å samle opp tørt støv. Maskinen er egnet for kommersiell bruk, f.eks. på hoteller, sykehus, kontorer, fabrikker, butikker, og i utleievirksomhet.

## Støy

Typisk A-vektet lydtrykknivå er bestemt i henhold til EN60335:

Lydtrykknivå ( $L_{pA}$ ) : 70 dB (A) eller mindre

Usikkerhet (K): 2,5 dB (A)

Støynivået under arbeid kan overskride 80 dB (A).

**⚠ ADVARSEL:** Bruk hørselsvern.

## Vibrasjoner

Den totale vibrasjonsverdien (triaksial vektorsum) bestemt i henhold EN60335:

Genererte vibrasjoner ( $a_{h,M}$ ) : 2,5 m/s<sup>2</sup> eller mindre  
Usikkerhet (K): 1,5 m/s<sup>2</sup>

**MERK:** Den angitte verdien for de genererte vibrasjonene er målt i samsvar med standardtestmetoden og kan brukes til å sammenlikne et verktøy med et annet.

**MERK:** Den angitte verdien for de genererte vibrasjonene kan også brukes til en foreløpig vurdering av eksponeringen.

**⚠ ADVARSEL:** De genererte vibrasjonene ved faktisk bruk av elektroverktøyet kan avvike fra den angitte vibrasjonsverdien, avhengig av hvordan verktøyet brukes.

**⚠ ADVARSEL:** Sørg for å identifisere vernetiltak for å beskytte operatøren, som er basert på et estimat av eksponeringen under de faktiske bruksforholdene (idet det tas hensyn til alle deler av driftslyklusen, dvs. hvor lenge verktøyet er slått av, hvor lenge det går på tomgang og hvor lenge startbryteren faktisk holdes trykket).

## EFs samsvarserklæring

### Gjelder kun for land i Europa

EFs samsvarserklæring er lagt til som vedlegg A i denne bruksanvisningen.

# SIKKERHETSADVARSEL

## Sikkerhetsadvarsler for trådløs støvsuger

**⚠ ADVARSEL:** VIKTIG. LES NØYE alle sikkerhetsadvarsler og instruksjoner **FØR BRUK**. Hvis du ikke følger alle advarslene og instruksjonene som er oppført nedenfor, kan det føre til elektriske støt, brann og/eller alvorlige helseskader.

1. **Støvsugeren skal kun benyttes av personer som har fått tilstrekkelig opplæring i hvordan den skal brukes.**
2. **Ikke bruk støvsugeren uten filter. Hvis filteret er skadet, må det skiftes ut umiddelbart.**
3. **PASS PÅ AT STØVSUGEREN IKKE STARTES OPP UTILSIKTET. Kontroller at bryteren er AV når du setter i batteriet/batteriene.**
4. **Ikke bruk støvsugeren på brennbar materiale, fyrverkeri, tente sigaretter, varm aske, varmt metallspen eller skarpe materialer som f.eks. barberblader, nåler, knust glass eller lignende.**
5. **ALDRI BRUK STØVSUGEREN I NÆRHETEN AV BENSIN, GASS, MALING, LIM ELLER ANDRE HØYEKSPLOSIVE STOFFER.** Bryteren slår gnister når den slås PÅ og AV. Det samme gjør kommutatormotoren når den er i bruk. Dette kan forårsake farlig eksplosjon.
6. **Bruk aldri støvsugeren på giftige, kreftfremkallende, brennbare eller andre farlige materialer som f.eks. asbest, arsen, barium, beryllium, bly, skadedyrsmidler eller andre helseskadelige stoffer.**
7. **Bruk aldri støvsugeren utendørs i regnvær.**
8. **Ikke bruk støvsugeren nær varmekilder (for eksempel ovner).**
9. **Ikke blokker ventilasjonsåpningene. Disse åpningene er der for å kjøle motoren. Hvis ventilasjonsåpningene tilstoppes, vil motoren bli overopphetet.**
10. **Pass alltid på at du holder balansen og har godt fotfeste.**
11. **Ikke brett, rykk i eller trakk på slangen.**
12. **Slå av støvsugeren umiddelbart hvis den oppfører seg unormalt (f.eks. hvis effekten er svak).**
13. **TA UT BATTERIET/BATTERIENE.** Støvsugeren skal være frakoblet når den ikke er i bruk, før utføring av service-/reparasjonsarbeid og ved bytte av tilbehør.
14. **For å holde støvsugeren i tipp topp stand er det viktig at du rengjør og vedlikeholder den etter hver bruk.**
15. **VÆR NØYE MED VEDLIKEHOLDET.** Rengjør støvsugeren for å holde den i sikker og god stand. Følg instruksjonene for bytte av tilbehør. Hold håndtakene tørre, rene og fri for olje og smørefett.

16. **KONTROLLER SKADDE DELER.** Før videre bruk av støvsugeren må du foreta en grundig sjekk av ev. skadde deler, som f.eks. vern eller lignende, for å fastslå om de vil fungere som de skal. Kontroller at bevegelige deler beveger seg riktig i forhold til hverandre, at bevegelige deler kan bevege seg fritt, om noen deler er brukket, om monteringen er som den skal, eller om andre forhold kan påvirke hvordan støvsugeren vil fungere. Vern eller andre skadete deler må repareres eller skiftes ut hos et autorisert service-senter, med mindre noe annet er angitt i denne bruksanvisningen. Sørg for at defekte brytere skiftes ut hos et autorisert service-senter. Ikke bruk støvsugeren hvis AV/PA-bryteren er defekt.
17. **RESERVEDELER.** Ved utføring av vedlike-holdsarbeid, skal det kun brukes identiske reservedeler.
18. **OPPBEVARING.** Støvsugeren oppbevares innendørs, når den ikke er i bruk.
19. Vær forsiktig når du håndterer støvsugeren. Hardhendt og uforsiktig håndtering kan forårsake skader på støvsugeren.
20. Ikke bruk bensin, tynningsmidler eller kjemiske rengjøringsmidler for å rengjøre støvsugeren innvendig eller utvendig. Dette kan forårsake sprekker og misfarging.
21. Ikke bruk støvsugeren i områder med brennbar støv, eller i lukkede rom hvor oljebasert maling, malingstynner, bensin, møllmidler eller lignende avgir brennbar, eksplosiv eller giftig damp.
22. Ikke bruk denne støvsugeren eller andre maskiner hvis du er under påvirkning av alkohol, narkotiske stoffer eller sterke legemidler.
23. Alltid bruk vernebriller eller briller med sideskyttelse.
24. Bruk støvmaske hvis det er mye støv der du jobber.
25. Denne maskinen skal ikke brukes av personer med reduserte fysiske, sensoriske eller mentale evner, eller personer som mangler erfaring og kunnskap.
26. Små barn bør passes på, for å sikre at de ikke leker med støvsugeren.
27. Håndter aldri batteriet/batteriene og støvsugeren mens du er våt på hendene.
28. Vær svært forsiktig når du bruker støvsugeren i trapper.
29. Ikke bruk støvsugeren som en krakk eller arbeidsbenk. Den kan falle ned, noe som kan føre til personskade.

#### Bruk og vedlikehold av batteridrevne maskiner

1. **Batteriet må kun lades opp igjen med en lader spesifisert av produsenten.** En lader som passer til én batteritype, kan være brannfarlig når den brukes med en annen batteritype.
2. **Bruk elektroverktøy kun med spesifikt angitte batterier.** Hvis det brukes et hvilket som helst annet batteri, kan dette utgjøre en fare for helseskader og brann.
3. **Når batteriet ikke er i bruk, må du holde verktøyet unna metallgjenstander som f.eks. binders, mynter, nøkler, spiker, skruer og andre små metallgjenstander som kan skape forbindelse mellom de to polene.** Hvis batteripolene kortsluttes, kan du få brannskader, eller det kan begynne å brenne.

4. Hvis batteriet utsettes for hardhendt bruk, kan det løse væske fra batteriet. Unngå kontakt med væsken. Hvis du kommer i kontakt med batterivæsken, må du skylle med vann. Hvis du får batterivæske i øynene, må du i tillegg oppsøke lege. Væske som kommer ut av batteriet, kan forårsake irritasjon eller forbrenning.
5. **Ikke bruk et batteri eller verktøy som er skadet eller endret på.** Batterier som er skadet eller endret på, kan oppføre seg upålitelig og medføre brann, eksplosjon eller fare for personskader.
6. **Et batteri eller verktøy må ikke utsettes for brann eller for høy temperatur.** Brann eller en temperatur over 130 °C kan forårsake eksplosjon.
7. **Følg alle ladeinstruksjoner, og ikke lad batteriet eller verktøyet utenfor temperaturområdet som er angitt i instruksjonene.** Feil lading eller ved temperaturer utenfor det angitte området, kan skadet batteriet og øke faren for brann.

## TA VARE PÅ DISSE INSTRUKSENE.

**⚠ ADVARSEL:** IKKE LA hensynet til hva som er "behagelig" eller det faktum at du kjenner produktet godt (etter mange gangers bruk) gjøre deg mindre oppmerksom på sikkerhetsreglene for bruken av det aktuelle produktet. Ved MISBRUK eller hvis ikke sikkerhetsreglene i denne bruksanvisningen følges, kan det oppstå alvorlig personskade.

### Viktige sikkerhetsanvisninger for batteriinnsats

1. Før du begynner å bruke batteriet, må du lese alle anvisninger og forsiktighetsregler på (1) batteriladeren, (2) batteriet og (3) det produktet batteriet skal brukes i.
2. Ikke ta fra hverandre batteriet.
3. Hvis driftstiden er blitt vesentlig kortere, må du omgående slutte å bruke maskinen. Hvis ikke kan resultatet bli overoppheting, mulige forbrenninger eller til og med en eksplosjon.
4. Hvis du får elektrolytt i øynene, må du skylle dem med store mengder rennende vann og oppsøke lege med én gang. Denne typen uhell kan føre til varig blindhet.
5. **Ikke kortslett batteriet:**
  - (1) De kan være ekstremt varme og du kan brenne deg.
  - (2) Ikke lagre batteriet i samme beholder som andre metallgjenstander, som for eksempel spiker, mynter osv.
  - (3) Ikke la batteriet komme i kontakt med vann eller regn.

En kortslutning av batteriet kan føre til et kraftig strømstøt, overoppheting, mulige forbrenninger og til og med til at batteriet går i stykker.
6. Ikke lagre maskinen og batteriet på steder hvor temperaturen kan komme opp i eller overskride 50 °C.
7. Ikke sett fyr på batteriet, ikke engang om det er sterkt skadet eller helt utslitt. Batteriet kan eksplodere hvis det begynner å brenne.



8. Vær forsiktig så du ikke mister batteriet eller utsetter det for slag.
9. Ikke bruk batterier som er skadet.
10. **Lithium-ion-batteriene som medfølger er gjenstand for krav om spesialavfall.**  
For kommersiell transport, f.eks av tredjeparter eller speditorer, må spesielle krav om pakking og merking følges.  
Før varen blir sendt, må du forhøre deg med en ekspert på farlig materiale. Ta også hensyn til muligheten for mer detaljerte nasjonale bestemmelser.  
Bruk teip eller maskeringsteip for å skjule åpne kontakter og pakk inn batteriet på en slik måte at den ikke kan bevege seg rundt i emballasjen.
11. **Følg lokale bestemmelser for avhending av batterier.**
12. **Bruk batteriene kun med produkter spesifisert av Makita.** Montere batteriene i produkter som ikke er konforme kan føre til brann, overheting eller elektrolyttlekkasje.

## TA VARE PÅ DISSE INSTRUKSENE.

**⚠FORSIKTIG:** Bruk kun originale Makita-batterier. Bruk av batterier som har endret seg, eller som ikke er originale Makita-batterier, kan føre til at batteriet sprekker og forårsaker brann, personskader og andre skader. Det vil også ugyldiggjøre garantien for Makita-verktøyet og -laderen.

## Tips for å opprettholde maksimal batterilevetid

1. Lad batteriinnsetsen før den er helt utladet. Stopp alltid driften av verktøyet og lad batteriinnsetsen når du merker at effekten reduseres.
2. Lad aldri en batteriinnsets som er fulladet. Overopplading forkorter batteriets levetid.
3. Lad batteriet i romtemperatur ved 10 °C - 40 °C. Et varmt batteri må kjøles ned før lading.
4. Lad batteriet hvis det ikke har vært brukt på en lang stund (over seks måneder).

## Viktige sikkerhetsanvisninger for trådløs enhet

1. Du må ikke demontere eller tukle med støvsugeren. Den trådløse enheten i støvsugeren kan ikke tas ut.
2. Ikke bruk trådløsaaktiveringsfunksjonen på steder der medisinsk utstyr, pacemakere eller automatiserte enheter, som automatisk dører og brannalarmer, er i nærheten.
3. Ikke bruk støvsugeren på steder den temperaturen overskrider 50 °C (122° F).
4. Den trådløse enheten er presisjonsinstrument. Vær forsiktig så du ikke mister eller utsetter støvsugeren for slag.
5. Ikke etterlat støvsugeren på et sted der det kan genereres statisk elektrisitet eller elektrisk støy.

## FUNKSJONS BESKRIVELSE

**⚠FORSIKTIG:** Forviss deg alltid om at maskinen er slått av og batteriet tatt ut før du justerer maskinen eller kontrollerer dens mekaniske funksjoner.

## Sette inn eller ta ut batteri

**⚠FORSIKTIG:** Slå alltid av verktøyet før du setter inn eller fjerner batteriet.

**⚠FORSIKTIG:** Hold verktøyet og batteripatronen i et fast grep når du monterer eller fjerner batteripatronen. Hvis du ikke holder verktøyet og batteripatronen godt fast, kan du miste grepet, og dette kan føre til skader på verktøyet og batteripatronen samt personskader.

**⚠FORSIKTIG:** Pass på at du ikke får fingrene i klem når du åpner eller lukker batteridekselet. Hvis ikke, kan det føre til personskader.

Når du skal sette i batteriet, frigjør du først låsen, og deretter åpner du batteridekselet. Så setter du i batteriet.

► **Fig. 1:** 1. Lås 2. Batterideksel

Plasser fjæren på batteriet på linje med sporet i huset, og skyv batteriet på plass. Skyv det helt inn til det går i inngrep med et lite klikk. Deretter låser du batteridekselet.

► **Fig.2:** 1. Batteri

For å ta ut batteriet må du skyve på knappen foran på batteriet og trekke det ut.

**⚠FORSIKTIG:** Batteriet må alltid settes helt inn, så langt at den røde anviseren ikke lenger er synlig. Hvis dette ikke gjøres, kan batteriet komme til å falle ut av maskinen og skade deg eller andre som oppholder seg i nærheten.

**⚠FORSIKTIG:** Ikke bruk makt når du setter i batteriet. Hvis batteriet ikke glir lett inn, er det fordi det ikke settes inn på riktig måte.

**MERK:** Støvsugeren fungerer ikke med kun ett batteri.

## Indikere gjenværende batterikapasitet

**Kun for batterier med indikatoren**

► **Fig.3:** 1. Indikatorlamper 2. Kontrollknapp

Trykk på sjekk-knappen på batteriet for vise gjenværende batterikapasitet. Indikatorlampene lyser i et par sekunder.

Indikatorlamper			Gjenværende batterinivå
Tent	Av	Blinker	
■	□	▬	75 % til 100 %
■	■	□	50 % til 75 %
■	□	□	25 % til 50 %
■	□	□	0 % til 25 %
▬	□	□	Lad batteriet.
■	■	□	Batteriet kan ha en feil.
□	□	■	

**MERK:** Det angitte nivået kan avvike noe fra den faktiske kapasiteten alt etter bruksforholdene og den omgivende temperaturen.

## Indikere gjenværende batterikapasitet

► **Fig.4:** 1. Batteriindikator 2. Kontrollknapp 3. Ventebryter

► **Fig.5**

Trykk på kontrollknappen for vise det gjenværende batterinivået. Batteriindikatorene korresponderer til hvert batteri.

Batteriindikatorstatus			Gjenværende batterikapasitet
På	Av	Blinker	
■	□	▬	50 % til 100 %
■	■	□	20 % til 50 %
■	□	□	0 % til 20 %
▬	□	□	Lad batteriet

**MERK:** Hvis støvsugeren slås på med ventebryteren på "AUTO", virker ikke batteriindikatoren.

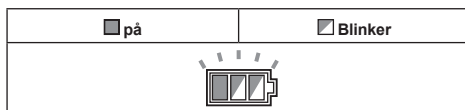
## Batterivernsystem for verktøy/batteri

Verktøyet er utstyrt med et batterivernsystem for verktøy/batteri. Dette systemet kutter automatisk strømmen til motoren for å forlenge verktøyets og batteriets levetid. Verktøyet stopper automatisk under drift hvis verktøyet eller batteriet utsettes for en av følgende tilstander:

## Overlastsikring

Når verktøyet brukes på en måte som gjør at det bruker unormalt mye strøm, vil verktøyet stoppe, helt automatisk og uten forvarsel. I dette tilfellet må du slå av verktøyet og avslutte bruken som forårsaket at verktøyet ble overbelastet. Slå deretter verktøyet på for å starte det igjen.

## Overopphetingsvern



Når verktøyet blir overopphetet, stopper verktøyet automatisk og strømindikatoren blinker i cirka 60 sekunder. Hvis dette skjer, må du la verktøyet kjøle seg ned før du slår på verktøyet igjen.

## Overutladingsvern

Når det blir lite batteri igjen, stopper verktøyet automatisk. Hvis produktet ikke går selv om bryterne aktiveres, må du ta batteriene ut av verktøyet og lade batteriene.

## Bryterfunksjon

► **Fig.6:** 1. Ventebryter 2. Av/på-knapp 3. Justeringsknott for sugekraft

Slik starter du støvsugeren:

1. Still ventebryteren på "I"-siden. Støvsugeren er nå i ventemodus.
2. Trykk på av/på-knappen. Hvis du vil at støvsugeren skal gå i ventemodus, trykker du på av/på-bryteren igjen.

Når du skal slå av støvsugeren, stiller du ventebryteren på "O"-siden.

Sugeeffekten kan justeres etter behov. Du øker sugeeffekten ved å vri justeringsknotten for sugekraft fra -symbolet til -symbolet.

**OBS:** Still alltid ventebryteren på "O"-siden når du ikke har tenkt å bruke støvsugeren på en stund. Støvsugeren trekker strøm i ventemodus.

## Låse eller låse opp hjulet

► **Fig.7:** 1. Hjul 2. Stopperspak 3. Stillingen FRI 4. Stillingen LÅST

Låsing av hjulet er praktisk ved oppbevaring, når du tar en pause i støvsugingen og når du ønsker at støvsugeren skal stå stille.

Flytt stopperen for hånd. Hvis du ønsker å låse hjulet, trykker du ned stopperspaken, så slutter hjulet å rotere. Løft opp stopperspaken for å låse opp hjulet.

**MERK:** Pass på at hjulet ikke er låst når du flytter støvsugeren. Hvis du flytter støvsugeren mens hjulet er låst, kan hjulet bli skadet.

## Bærehåndtak

Støvsugeren skal alltid bæres etter håndtaket på toppen. Håndtaket kan foldes ned når det ikke er i bruk.

► **Fig.8**

# TRÅDLØSAKTIVERINGS- FUNKSJON

## Hva du kan gjøre med trådløsaaktiveringsfunksjonen

Trådløsaaktiveringsfunksjonen muliggjør ren og behagelig bruk. Hvis du kobler et støttet verktøy til støvsugeren, kan du bruke støvsugeren automatisk sammen med verktøyet bryterfunksjon.

► Fig.9

**OBS:** Les brukerveiledningen når du skal bruke støvsugeren med trådløsaaktiveringsfunksjonen.

**OBS:** Du må ikke demontere eller tukle med den trådløse enheten.

**OBS:** Lukk alltid den trådløse enhetens lokk i verktøyet ved bruk eller oppbevaring.

**OBS:** Ikke fjern den trådløse enheten fra verktøyet mens verktøyet forsynes med strøm. Det kan føre til en funksjonsfeil i den trådløse enheten.

**OBS:** Ikke trykk for hardt på trådløsaaktiveringsknappen, og trykk heller ikke på knappen med en gjenstand med skarp kant.

**MERK:** Trådløsaaktivering krever Makita-verktøy som er utstyrt med den trådløse enheten.

**MERK:** Før du bruker trådløsaaktiveringsfunksjonen for første gang på et verktøy, må verktøyet registreres. Når registreringen av verktøyet er fullført, trenger du ikke å registrere verktøyet på nytt med mindre du fjerner registreringen.

**MERK:** Før registrering må du kontrollere at den trådløse enheten er satt riktig inn i verktøyet.

**MERK:** Én støvsuger kan registrere opptil 10 verktøy. Hvis mer enn 10 verktøy er registrert til støvsugeren, vil det først registrerte verktøyet bli fjernet automatisk.

**MERK:** Trådløsaaktiveringsknappens plassering varierer avhengig av verktøyet.

**MERK:** Du kan også starte støvsugeren ved å trykke på strømknappen mens ventebryteren står på "AUTO".

Strømknappen vil imidlertid ikke aktivere når trådløsaaktiveringsfunksjonen er i bruk.

## Verktøyregistrering for støvsugeren

**MERK:** Et Makita-verktøy som støtter trådløsaaktiveringsfunksjonen er nødvendig for verktøyregistrering.

**MERK:** Fullfør installasjonen av den trådløse enheten i verktøyet før du starter verktøyregistreringen.

**MERK:** Du må ikke dra i startbryteren på verktøyet eller slå på strømbryteren på støvsugeren under verktøyregistrering.

**MERK:** Les i tillegg brukerveiledningen for verktøyet.

Hvis du ønsker å aktivere støvsugeren sammen med verktøyet bryterfunksjon, må du fullføre verktøyregistreringen på forhånd.

1. Sett batteriene i støvsugeren og verktøyet.
2. Still ventebryteren på støvsugeren på "AUTO".  
► Fig.10: 1. Ventebryter
3. Trykk på trådløsaaktiveringsknappen på støvsugeren i 3 sekunder til trådløsaaktiveringslampen blinker grønt. Deretter trykker du på trådløsaaktiveringsknappen på verktøyet på samme måte.  
► Fig.11: 1. Trådløsaaktiveringsknapp  
2. Trådløsaaktiveringslampe

Hvis koblingen av støvsugeren og verktøyet lykkes, vil trådløsaaktiveringslampene lyse grønt i 2 sekunder og begynne å blinke blått.

**MERK:** Trådløsaaktiveringslampene slutter å blinke grønt når det har gått 20 sekunder. Trykk på trådløsaaktiveringsfunksjonen på verktøyet mens trådløsaaktiveringslampen på støvsugeren blinker. Hvis trådløsaaktiveringslampen ikke blinker grønt, trykker du på trådløsaaktiveringsknappen et kort øyeblikk og holder den inne igjen.

**MERK:** Når du utfører to eller flere verktøyregistreringer for støvsugeren, fullfører du verktøyregistreringen én etter én.

## Starte trådløsaaktiveringsfunksjonen

**MERK:** Fullfør verktøyregistreringen for støvsugeren for trådløsaaktivering.

**MERK:** Støvsugeren må alltid plasseres slik at du kan se trådløsaaktiveringslampens status.

**MERK:** Les i tillegg brukerveiledningen for verktøyet.

Etter at et verktøy er registrert til støvsugeren, vil støvsugeren automatisk svive sammen med verktøyet bryterfunksjon.

1. Installer den trådløse enheten i verktøyet.
2. Koble støvsugerens slange til verktøyet.  
► Fig.12
3. Still ventebryteren på støvsugeren på "AUTO".  
► Fig.13: 1. Ventebryter
4. Trykk et kort øyeblikk på trådløsaaktiveringsknappen på verktøyet. Trådløsaaktiveringslampen vil blinke blått.  
► Fig.14: 1. Trådløsaaktiveringsknapp  
2. Trådløsaaktiveringslampe
5. Dra i verktøyet startbryter. Kontroller om støvsugeren sviver mens du drar i startbryteren på verktøyet.

Hvis du vil stoppe trådløsaaktiveringen, trykker du på trådløsaaktiveringsknappen på verktøyet eller setter ventebryteren på støvsuger på "I" eller "O".

**MERK:** Trådløsaaktiveringslampen på verktøyet vil slutte å blinke blått når verktøyet ikke har blitt brukt på 2 timer. Da setter du i tilfelle ventebryteren på støvsugeren på "AUTO" og trykker på trådløsaaktiveringsknappen på verktøyet igjen.

**MERK:** Støvsugeren starter/stopper med en forsinkelse. Det er en tidsforsinkelse når støvsugeren oppdater at en bryter på verktøyet er trykket på.

**MERK:** Den trådløse enhetens overføringsavstand kan variere avhengig av sted og omgivelsesforhold.

**MERK:** Når to eller flere verktøy er registrert til én støvsuger, kan det hende at støvsugeren begynner å svive selv om du ikke drar i startbryteren, fordi en annen bruker trådløsaaktiveringsfunksjonen.

## Avbryte verktøyregistrering for støvsugeren

Gå frem på følgende måte når du skal avbryte verktøyregistrering for støvsugeren.

1. Sett batteriene i støvsugeren og verktøyet.
  2. Still ventebryteren på støvsugeren på "AUTO".
- **Fig.15:** 1. Ventebryter
3. Trykk på trådløsskiveringsknappen på støvsugeren i 6 sekunder. Trådløsskiveringslampen blinker grønt og blir deretter rødt. Deretter trykker du på trådløsskiveringsknappen på verktøyet på samme måte.

- **Fig.16:** 1. Trådløsskiveringsknapp  
2. Trådløsskiveringslampe

Hvis avbrytingen er vellykket, vil trådløsskiveringslampene lyse rødt i 2 sekunder og begynne å blinke blått.

**MERK:** Trådløsskiveringslampene slutter å blinke rødt når det har gått 20 sekunder. Trykk på trådløsskiveringsfunksjonen på verktøyet mens trådløsskiveringslampen på støvsugeren blinker. Hvis trådløsskiveringslampen ikke blinker rødt, trykker du på trådløsskiveringsknappen et kort øyeblikk og holder den inne igjen.

## Slette alle verktøyregistreringer

Du kan slette alle verktøyregistreringer fra støvsugeren på følgende måte.

- **Fig.17:** 1. Ventebryter 2. Trådløsskiveringsknapp  
3. Trådløsskiveringslampe

1. Installer batteriene i støvsugeren.
2. Still ventebryteren på "AUTO".
3. Hold inne trådløsskiveringsknappen i omtrent 6 sekunder til trådløsskiveringslampen blinker rødt (omtrent 6 ganger i sekundet).
4. Når trådløsskiveringslampen begynner å blinke rødt, fjerner du fingeren fra trådløsskiveringsknappen. Deretter holder du inne trådløsskiveringsknappen igjen i omtrent 6 sekunder.
5. Når trådløsskiveringslampen begynner å blinke (omtrent 5 ganger i sekundet) i rødt, fjerner du fingeren fra trådløsskiveringsknappen. Når trådløsskiveringslampen lyser rødt og senere slår seg av, er alle verktøyregistreringer slettet.

**MERK:** Hvis trådløsskiveringslampen ikke blinker rødt, trykker du på trådløsskiveringsknappen et kort øyeblikk og prøver på nytt.

## Beskrivelse av trådløsskiveringslampens status

- **Fig.18:** 1. Trådløsskiveringsknapp  
2. Trådløsskiveringslampe

Trådløsskiveringslampen viser statusen til trådløsskiveringsfunksjonen. Du finner informasjon om lampestatusens betydning i tabellen nedenfor.

Status	Trådløsskiveringslampe				Beskrivelse
	Farge	<input type="checkbox"/> På	<input type="checkbox"/> Blinker	Varighet	
Ventemodus	Blå	<input checked="" type="checkbox"/>		Støvsuger: kontinuerlig Verktøy: 2 timer	Venter på verktøyregistreringer eller trådløsskiveringsfunksjonen er tilgjengelig. Lampen på støvsugeren blinker når ventebryteren er stillt på AUTO. Lampen på verktøyet blinker når du trykker på trådløsskiveringsknappen. Lampen på verktøyet vil slå seg av automatisk når verktøyet ikke har blitt brukt på 2 timer.
		<input type="checkbox"/>		Når verktøyet sviver.	Trådløsskivering av støvsugeren er tilgjengelig, og verktøyet sviver.
Verktøyregistrering	Grønn	<input checked="" type="checkbox"/>		20 sekunder	Klar for verktøyregistrering. Søker etter verktøyet som skal registreres.
		<input type="checkbox"/>		2 sekunder	Verktøyregistreringen er fullført. Trådløsskiveringslampen vil begynne å blinke blått.
Avbryte/slette verktøyregistrering	Rød	<input checked="" type="checkbox"/>		20 sekunder (sakte: 2 ganger/sek)	Klar for å avbryte verktøyregistrering. Søker etter verktøyet som skal fjernes.
		<input checked="" type="checkbox"/>		Når du trykker på trådløsskiveringsknappen. (raskt: 5 ganger/sek)	Klar til å slette alle verktøyregistreringer.
		<input type="checkbox"/>		2 sekunder	Verktøyregistreringen er avbrutt/slettet. Trådløsskiveringslampen vil begynne å blinke blått.
Andre	Rød	<input type="checkbox"/>		3 sekunder	Den trådløse enheten forsynes med strøm, og trådløsskiveringsfunksjonen starter opp.
	Av	-		-	Ventebryteren er ikke stillt inn på "AUTO".

## Feilsøking for trådløstiveringsfunksjonen

Insipser utstyret selv før du bestiller reparasjon. Ikke prøv å demontere verktøyet hvis du finner et problem som ikke er forklart i brukerveiledningen. I stedet bør du ta kontakt med et av Makitas autoriserte servicesentre, som alltid bruker reservedeler fra Makita til reparasjoner.

Unormal tilstand	Sannsynlig årsak (feil)	Løsning
Trådløstiveringslampan tennes/ blinker ikke.	Den trådløse enheten er ikke installert i verktøyet. Den trådløse enheten er installert på feil måte i verktøyet.	Installer den trådløse enheten på riktig måte i verktøyet.
	Det trådløse enhetens tilkoblingspunkt og/eller spor er tilsmusset.	Tørk forsiktig bort støv og smuss på den trådløse enhetens tilkoblingspunkt, og rengjør sporet i verktøyet.
	Du har ikke trykket på trådløstiveringsknappen.	Trykk et kort øyeblikk på trådløstiveringsknappen på verktøyet.
	Ventebryteren på støvsugeren er ikke stilt inn på "AUTO".	Still ventebryteren på støvsugeren på "AUTO".
	Ingen strømforsyning	Sørg for at verktøyet og støvsugeren har strømforsyning.
Kan ikke fullføre verktøyregistrering/ avbryte verktøyregistrering.	Den trådløse enheten er ikke installert i verktøyet. Den trådløse enheten er installert på feil måte i verktøyet.	Installer den trådløse enheten på riktig måte i verktøyet.
	Det trådløse enhetens tilkoblingspunkt og/eller spor er tilsmusset.	Tørk forsiktig bort støv og smuss på den trådløse enhetens tilkoblingspunkt, og rengjør sporet i verktøyet.
	Ventebryteren på støvsugeren er ikke stilt inn på "AUTO".	Still ventebryteren på støvsugeren på "AUTO".
	Ingen strømforsyning	Sørg for at verktøyet og støvsugeren har strømforsyning.
	Feil bruk	Trykk på trådløstiveringsknappen et kort øyeblikk, og utfør verktøyregistrering/-fjerning på nytt.
	Verktøyet og støvsugeren er for langt unna hverandre (utenfor overføringsområdet).	Sørg for at verktøyet og støvsugeren er nærmere hverandre. Maksimal overføringsavstand er ca. 10 m, men den kan variere avhengig av forholdene.
	Før du fullfører verktøyregistrering/ fjerning: – dra i startbryteren på verktøyet, eller – slå på startknappen på støvsugeren.	Trykk på trådløstiveringsknappen et kort øyeblikk, og utfør verktøyregistrering/-fjerning på nytt.
	Verktøyregistreringen for verktøyet eller støvsugeren er ikke fullført.	Følg fremgangsmåten for verktøyregistrering for verktøyet og støvsugeren samtidig.
Radioforstyrrelse fra andre innretninger som genererer radiobølger med høy intensitet.	Hold verktøyet og støvsugeren borte fra innretninger som WiFi-enheter og mikrobølgeovner.	

Unormal tilstand	Sannsynlig årsak (feil)	Løsning
Støvsugeren sviver ikke sammen med verktøyet bryterfunksjon.	Den trådløse enheten er ikke installert i verktøyet. Den trådløse enheten er installert på feil måte i verktøyet.	Installer den trådløse enheten på riktig måte i verktøyet.
	Det trådløse enhetens tilkoblingspunkt og/eller spor er tilsusset.	Tørk forsiktig bort støv og smuss på den trådløse enhetens tilkoblingspunkt, og rengjør sporet i verktøyet.
	Du har ikke trykket på trådløseaktiveringsknappen.	Trykk på trådløseaktiveringsknappen et kort øyeblikk, og kontroller at trådløseaktiveringslampen blinker blått.
	Ventebryteren på støvsugeren er ikke stilt inn på "AUTO".	Still ventebryteren på støvsugeren på "AUTO".
	Mer enn 10 verktøy er registrert til støvsugeren.	Utfør verktøyregistreringen på nytt. Hvis mer enn 10 verktøy er registrert til støvsugeren, vil det først registrerte verktøyet bli fjernet automatisk.
	Støvsugeren slettet alle verktøyregistreringer.	Utfør verktøyregistreringen på nytt.
	Ingen strømforsyning	Sørg for at verktøyet og støvsugeren har strømforsyning.
	Verktøyet og støvsugeren er for langt unna hverandre (utenfor overføringsområdet).	Sørg for at verktøyet og støvsugeren er nærmere hverandre. Maksimal overføringsavstand er ca. 10 m, men den kan variere avhengig av forholdene.
	Radioforstyrrelse fra andre innretninger som genererer radiobølger med høy intensitet.	Hold verktøyet og støvsugeren borte fra innretninger som WiFi-enheter og mikrobølgeovner.
Støvsugeren sviver når du ikke drar i startbryteren.	Andre brukere bruker støvsugerens trådløseaktivering med verktøyene sine.	Slå av de andre verktøyenes trådløseaktiveringsknapp, eller avbryt verktøyregistrering for andre verktøy.
Kan ikke slette alle verktøyregistreringer i støvsugeren.	Trykker på trådløseaktiveringsknappen på verktøyet.	Trykk på trådløseaktiveringsknappen på bryteren for å slette alle verktøyregistreringer.
	Ventebryteren på støvsugeren er ikke stilt inn på "AUTO".	Still ventebryteren på støvsugeren på "AUTO".
	Du holder ikke trådløseaktiveringsknappen inne på riktig måte.	Hold inne trådløseaktiveringsknappen i mer enn 6 sekunder, og deretter slipper du den nå trådløseaktiveringslampen blinker rødt. Hold inne trådløseaktiveringsknappen i mer enn 6 sekunder igjen til trådløseaktiveringslampen blinker raskt rødt, og deretter slipper du knappen.

## DELEBESKRIVELSE

- Fig.19: 1. Beholderdeksel 2. Pulverfilter (HEPA)  
3. Demper 4. Forfilter 5. Beholder

## MONTERING

**⚠FORSIKTIG:** Forviss deg alltid om at maskinen er slått av og batteriet tatt ut før du utfører noe arbeid på maskinen.

**⚠FORSIKTIG:** Bruk alltid støvmaske under montering eller vedlikehold.

## Installere pulverfilteret (HEPA) og forfilteret (for tørt støv)

**⚠FORSIKTIG:** Pulverfilteret kan ikke brukes for oppsuging av væske eller vått støv. Hvis du gjør det, kan pulverfilteret revne.

Slik bruker du pulverfilteret:

1. Plasser forfilteret i beholderen slik at merkene for monteringsposisjon er innrettet.
  2. Monter demperen på pulverfilteret, og plasser dem deretter i forfilteret slik at merkene for monteringsposisjon er innrettet.
  3. Til slutt monterer du beholderdekslet og låser det.
- Fig.20: 1. Beholderdeksel 2. Pulverfilter (HEPA)  
3. Demper 4. Forfilter 5. Beholder 6. Merke for monteringsposisjon

**OBS:** Pass på at både forfilteret og demperen er satt i før du tar i bruk pulverfilteret. Pulverfilteret kan ikke brukes uten forfilter og demper.

## Installere papirposen

### Valgfritt tilbehør

**⚠ ADVARSEL:** Hvis støvsugeren skal brukes med papirpose, må også det forhåndsinstallerte forfilteret benyttes. Uten forfilteret kan det oppstå uvanlig støy og brannfarlig varmeutvikling.

**⚠ FORSIKTIG:** Hvis støvsugeren skal brukes med papirpose, må både pulverfilteret, forfilteret og demperen være satt i.

1. Fjern gummiholderen.  
► Fig.21: 1. Gummiholder
2. Brett ut papirposen.
3. Innrett åpningen på papirposen med innsugningsåpningen på støvsugeren.
4. Plasser pappsidan av papirposen nederst bak sperrhaken.  
► Fig.22: 1. Papirpose 2. Holder

## Installere polyetylenposen

Støvsugeren kan også brukes uten polyetylenpose. Bruker du polyetylenposen, vil det imidlertid være enklere å tømme beholderen uten å skitne deg til på hendene.

Brett ut polyetylenposen i beholderen. Sett den inn mellom holderplaten og beholderen, og dra den mot innsugningsåpningen.

► Fig.23: 1. Holderplate 2. Polyetylenpose

Spre posen omkring toppen av beholderen slik at forfilterkanten hekter seg fast og holder posen på plass.

► Fig.24: 1. Forfilter

**MERK:** Du kan bruke polyetylenposene som er tilgjengelige på markedet. Vi anbefaler at du velger en posetykkelse på minst 0,04 mm.

**MERK:** For store støvmengder vil gjøre at posen lett revner, og du bør derfor skifte posen når den er halvfull.

## Tømme polyetylenposen

**⚠ ADVARSEL:** Forviss deg alltid om at støvsugeren er slått av og batteriet er tatt ut før du tømmer polyetylenposen. Hvis ikke, vil det være fare for elektrisk støt og alvorlige personskader.

**⚠ FORSIKTIG:** Ikke utsett beholderen for harde støt eller dunk. Det kan føre til at delene blir misformet og skadet.

**⚠ FORSIKTIG:** Avhengig av støvmengden i beholderen, kan det være nødvendig å tømme beholderen minst én gang per dag. Hvis det går for lenge mellom hver gang beholderen tømmes, vil sugkraften bli redusert og motoren kan bli ødelagt.

**⚠ FORSIKTIG:** Ikke grip tak i kroken når du tømmer beholderen. Det kan føre til at kroken knekker.

Hekt av og løft opp dekelet på beholderen.

Rist av støv fra forfilteret før du tar polyetylenposen ut av beholderen.

► Fig.25

**MERK:** Vær forsiktig når du tar ut polyetylenposen slik at den ikke hekter seg fast og rives opp av frem-springet på innsiden av beholderen.

**MERK:** Tøm polyetylenposen før den er helt full. For mye støv i beholderen kan føre til at posen revner.

## Installere verktøykassen

1. Frigjør låsen på batteridekelet, og åpne batteridekelet.
2. Plasser skinnene på verktøykassen på sporene på huset.
3. Lukk batteridekelet, og sett på låsen.  
► Fig.26

Verktøykassen er praktisk for oppbevaring av batterier, rør og munnstykker.

► Fig.27

## Koble til slangen

**OBS:** Aldri trakk på eller bruk makt for å bøye slangen. Ikke trekk i slangen for å flytte støvsugeren. Hvis du trækker på, drar i eller bøyer slangen, kan den knekke eller bli misformet.

**OBS:** Hvis du skal suge opp store mengder avfall av typen sponfliser, betongstøv eller lignende, bruker du slangen som har en indre diameter på 38 mm (valgfritt tilbehør). Hvis du bruker slangen som har en indre diameter på 28 mm (valgfritt tilbehør), kan slangen bli tilstoppet og skadet.

Sett slangen inn i innsugningsåpningen på beholderen, og vri den med klokken til den går i lås.

► Fig.28

## VEDLIKEHOLD

**⚠ FORSIKTIG:** Forviss deg alltid om at maskinen er slått av og batteriet tatt ut før du foretar inspeksjon eller vedlikehold.

**OBS:** Aldri bruk gasolin, bensin, tynner alkohol eller lignende. Det kan føre til misfarging, deformering eller sprekkdannelse.

## Oppbevare tilbehør

Rørene kan plasseres i rørholderen når det ikke er lenge til støvsugeren skal brukes neste gang.

► Fig.29

► Fig.30

Slangen kan oppbevares rundt støvsugeren ved å koble sammen hver ende.

► Fig.31

## Rengjøre pulverfilteret (HEPA) og forfilteret

Sugestykken kan bli redusert hvis pulverfilteret, forfilteret og demperen er tilstoppet. Filtrene og demperne bør rengjøres med jevne mellomrom.

Rist rammebunnen raskt flere ganger etter hverandre for å fjerne støv eller partikler fra filtrene.

► **Fig.32**

Vask av og til pulverfilteret med vann, skyll det, og la det tørke helt på et skyggefullt sted. Filtrene skal aldri vaskes i vaskemaskin.

**MERK:** Ikke bruk harde gjenstander som for eksempel børster eller skraper på pulverfilteret, forfilteret eller demperen.

**MERK:** Filtrene blir slitte etter hvert. Det anbefales å ha noen i reserve.

For å opprettholde produktets SIKKERHET og PÅLITELIGHET, må reparasjoner, vedlikehold og justeringer utføres av autoriserte Makita servicesentre eller fabrikk-servicesentre, og det må alltid brukes reservedeler fra Makita.

## VALGFRITT TILBEHØR

**⚠FORSIKTIG:** Det anbefales at du bruker dette tilbehøret eller verktøyet sammen med den Makita-maskinen som er spesifisert i denne håndboken. Bruk av annet tilbehør eller verktøy kan forårsake personskader. Tilbehør og verktøy må kun brukes til det formålet det er beregnet på.

Ta kontakt med ditt lokale Makita-servicesenter hvis du trenger mer informasjon om dette tilbehøret.

- Slange
- Munnstykke (22, 24, 38)
- Rett rør
- Hjørnemunnstykke
- Rund børste
- Pulverfilter, HEPA (for tørt støv)
- Demper
- Forfilter
- Munnstykkeenheter
- Vinkelrør
- Polyetylenpose
- Papirpose
- Holdersett
- Makita originalbatteri og lader

**MERK:** Enkelte elementer i listen kan være inkludert som standardtilbehør i verktøypakken. Elementene kan variere fra land til land.



## VAROITUS

Tätä laitetta voivat käyttää myös 8-vuotiaat tai sitä vanhemmat lapset sekä henkilöt, joiden fyysiset, sensoriset tai henkiset kyvyt ovat rajoittuneet tai joilla ei ole kokemusta tai tietoa laitteen käytöstä, jos he käyttävät laitetta valvotusti tai jos heille annetaan riittävät ohjeet laitteen käyttämiseksi turvallisella tavalla ja he ymmärtävät siihen liittyvät riskit. Lapset eivät saa leikkiä laitteella. Lapset eivät saa puhdistaa tai huoltaa laitetta ilman valvontaa.

## TEKNISET TIEDOT

Malli:	DVC864L
Vakiosuodatintyyppi	Jauhesuodatin (kuivalle materiaalle)
Tilavuusvirtaus (ilma) (mallilla BL1850B, ø38 mm x 2,5 m letku)	2,1 m <sup>3</sup> /min
Imu (mallilla BL1850B, ø38 mm x 2,5 m letku)	98 hPa
Talteenotettava tilavuus	8 L
Mitat (P x L x K)	366 mm x 334 mm x 368 mm
Nimellisjännite	DC 36 V
Vakio akkupaketti	BL1815N, BL1820, BL1820B, BL1830, BL1830B, BL1840, BL1840B, BL1850, BL1850B, BL1860B
Nettopaino	7,7 - 8,4 kg
Bluetooth® -malli	4,1 (Bluetooth low energy)
Taajuuskaista	2 402 - 2 480 MHz
Korkein radiotaajuusteho	1,0 dBm (EIRP)
Lähetysalue	Noin 10 m

- Jatkuvasta tutkimus- ja kehitystyöstämme johtuen esitetyt tekniset tiedot saattavat muuttua ilman erillistä ilmoitusta.
- Tekniset tiedot ja akkupaketti voivat vaihdella maittain.
- Paino sisältää akkupaketit, mutta ei varusteita. Kevyin ja painavin laite- ja akkupakettiyhdistelmän paino kuvataan taulukossa.

### Bluetooth®

Bluetooth® sanamerkki ja logot ovat Bluetooth SIG, Inc. -yhtiön omistamia rekisteröityjä tavaramerkkejä ja näiden merkkien mikä tahansa käyttö Makitan toimesta on lisenssin alainen. Muuta tavaramerkkiä ja kaupanimet ovat niiden vastaavien omistajien omaisuutta.

### Symbolit

Laitteessa on käytetty seuraavia symboleja. Opettele niiden merkitys ennen käyttöä.



Lue käyttöohje.



Noudata erityistä varovaisuutta ja kiinnitä huomiota.



Varoitus! Imuri voi sisältää haitallista pölyä.



Älä seiso imurin päällä.



Pölyluokka L (kevyt). Imureilla voi imuroida L-luokan pölyä. Noudata paikallisia pölyä koskevia työsuojelumääräyksiä.



Koskee vain EU-maita  
Älä hävitä sähkölaitteita tai akkuja tavallisen kotitalousjätteen mukana! Sähkö- ja elektroniikkalaiteromua koskevan EU-direktiivin ja paristoja ja akkuja sekä käytettyjä paristoja ja akkuja koskevan direktiivin ja niiden maakohtaisten sovelusten mukaisesti käytetyt sähkölaitteet ja akkupaketti (-paketit) on toimitettava ongelmajätteen keräyspisteeseen ja ohjattava ympäristöstävälliseen kierrätykseen.

## Käyttötarkoitus

Laitte on tarkoitettu kuivan pölyn imuroimiseen. Tämä työkalu sopii kaupalliseen käyttöön esimerkiksi hotelleissa, kouluissa, sairaaloissa, tehtaissa, myymälöissä, toimistoissa tai vuokraamoissa.

## Melutaso

Tyypillinen A-painotettu melutaso määräytyy standardin EN60335 mukaan:

Äänenpainetaso ( $L_{pA}$ ) : 70 dB (A) tai vähemmän  
Virhemarkkinaali (K) : 2,5 dB (A)

Työskentelyn aikana melutaso voi ylittää 80 dB (A).

**VAROITUS:** Käytä kuulosuojaimia.

## Tärinä

Kokonaistärinä (kolmen akselin vektorien summa) määräytyy standardin EN60335 mukaan:

Tärinäpäästö ( $a_{hM}$ ) : 2,5 m/s<sup>2</sup> tai alhaisempi  
Virhemarkkinaali (K) : 1,5 m/s<sup>2</sup>

**HUOMAA:** Ilmoitettu tärinäpäästöarvo on mitattu standarditestausten mukaisesti, ja sen avulla voidaan vertailla työkaluja keskenään.

**HUOMAA:** Ilmoitettua tärinäpäästöarvoa voidaan käyttää myös altistumisen alustavaan arviointiin.

**VAROITUS:** Työkalun käytön aikana mitattu todellinen tärinäpäästöarvo voi poiketa ilmoitetusta tärinäpäästöarvosta työkalun käyttötavan mukaan.

**VAROITUS:** Selvitä käyttäjän suojaamiseksi tarvittavat varoimet todellisissa käyttöolosuhteissa tapahtuvan arvioidun altistumisen mukaisesti (ottaen huomioon käyttöjaksot kokonaisuudessaan, myös jaksot, joiden aikana työkalu on sammutettuna tai käytettyjäkäynnillä).

## EY-vaatimusten mukaisuusvakuutus

### Koskee vain Euroopan maita

EY-vaatimusten mukaisuusvakuutus on liitetty tähän käyttöoppaaseen.

# TURVAVAROITUKSET

## Akkukäyttöisen pölynimurin turvaohjeet

**VAROITUS:** LUE HUOLELLISESTI kaikki turvavaroitukset ja käyttöohjeet ENNEN KÄYTTÖÄ. Jos varoitusten ja ohjeiden noudattaminen laiminlyödään, seurauksena voi olla sähköisku, tulipalo ja/tai vakava vammautuminen.

- Varmista, ennen käyttöä, että tämän pölynimurin käyttäjillä on riittävä käyttökoulutus.
- Älä käytä imuria ilman suodatinta. Vaihda vaurioitunut suodatin välittömästi uuteen.
- ESTÄ TAHATON KÄYNNISTYMINEN. Varmista, että kytkin on asennossa OFF akun (akkujen) asennuksen aikana.
- Älä imuroi palavia aineita, ilotulitteita, palavia savukkeita, kuumaa tuhkaa, kuumia metallilastuja tai teräviä esineitä, kuten partateriä, neuloja, lasinsirpaleita tms.
- ÄLÄ KOSKAAN KÄYTÄ IMURIA, JOS LÄHELLÄ ON BENSIINIÄ, KAASUA, MAALIA, LIIMAA TAI MUITA RÄJÄHDYSALTTIITA AINEITA. Kytkimestä lähtee kipinä, kun se kytkeetään päälle tai pois päältä. Myös moottorin kommutaattori kipinöi käytön aikana. Seurauksena voi olla vaarallinen räjähdys.
- Älä koskaan imuroi myrkyllisiä, karsinogeenisiä, syttyviä tai muuten haitallisia aineita, kuten asbestia, arsenikkia, bariumia, berylliumia, lyijyä, hyönteismyrkkyjä tai muita terveydelle vaarallisia aineita.
- Älä koskaan käytä imuria ulkona sateella.
- Älä käytä imuria lämmönlähteiden (uunin tms.) läheisyydessä.
- Älä tuki jäähdytysaukkoja. Moottori jäähdytetään näiden aukkojen kautta. Jäähdytysaukot täytyy pitää avoimina, sillä muutoin moottori palaa rikki puutteellisen ilmanvaihdon takia.
- Seiso tukevassa asennossa ja säilytä tasapainosi.
- Älä taita tai kisko letkua äläkä astu sen päälle.
- Pysäytä imuri heti, jos se ei toimi täydellä teholla tai toimii muuten epänormaalisti.
- POISTA AKKU (AKUT). Kun imuri ei ole käytössä ennen imurin huoltoa tai sen lisävarusteiden vaihtoa.
- Puhdista ja huolla imuri aina heti käytön jälkeen, jotta se pysyy hyvässä käyttökunnossa.
- HUOLLA IMURIA SÄÄNNÖLLISESTI. Pidä imuri puhtaana, jotta sen suorituskyky ja turvallisuus säilyvät. Noudata lisävarusteiden vaihtamista koskevia ohjeita. Pidä kahvat kuivina ja puhtaina öljystä ja rasvasta.
- TARKISTA, ONKO IMURISSA VAURIOITA. Ennen kuin imurin käyttöä jatketaan, on syytä varmistaa, että suojukset tai muut vaurioituneet osat toimivat tarkoituksensa mukaisella tavalla oikein. Varmista, että liikkuvat osat ovat oikeissa asennoissa ja pääsevät liikkumaan esteettä. Tarkasta myös osien eheys,

- kiinnitykset sekä muut toimintaan mahdollisesti vaikuttavat seikat. Suojus tai muu vaurioitunut osa tulee viedä valtuutettuun huoltoliikkeeseen korjattavaksi tai vaihdettavaksi, jollei tässä käyttöoppaassa muuta mainita. Vaihda epäkuntoiset kytkimet valtuutetussa huoltoliikkeessä. Älä käytä imuria, jos sitä ei voi kytkeä päälle tai pois päältä virtakytkimellä.
17. VARAOSTAN. Käytä huoltojen yhteydessä ainoastaan alkuperäisiä osia vastaavia varoasia.
  18. VARASTOI IMURIA, KUN SITÄ EI KÄYTETÄ. Säilytä imuria sisätiloissa, kun sitä ei käytetä.
  19. Käsittele imuria varoen. Kovakourainen käsittely voi rikkoa vahvatekoisimman imurin.
  20. Älä käytä imurin ulko- tai sisäpintojen puhdistamiseen bensiiniä, ohenteita tai puhdistusaineita. Ne voivat aiheuttaa halkeamia tai värjäytyksiä.
  21. Älä käytä imuria suljetuissa tiloissa, jossa säilytetään palavia, räjähtäviä tai myrkyllisiä höyryjä tuottavia aineita, kuten öljypohjaisia maaleja, maaliohenteita, bensiiniä ja tiettyjä koinestoinaiteita tms. Vältä myös tiloja, joissa on tulenarkaa pölyä.
  22. Älä käytä tätä laitetta tai muita laitteita lääkkeiden tai alkoholin vaikutuksen alaisena.
  23. Käytä aina sivusuojilla varustettuja suojalaseja.
  24. Irrota kone pistorasiasta ennen terän vaihtamista, huoltotoimia ja kun sitä ei käytetä.
  25. Tämä laite ei ole tarkoitettu sellaisten henkilöiden, esimerkiksi lasten, käytettäväksi, joiden fyysiset, sensoriset tai henkiset kyvyt tai kokemuksen tai tiedon puute estävät heitä käyttämästä laitetta turvallisesti.
  26. Pieniä lapsia tulee vahtia ja varmistaa, etteivät he leiki imurilla.
  27. Älä koskaan käsittele akkua (akkuja) ja imuria märin käsin.
  28. Ole erityisen varovainen portaita siivotessasi.
  29. Älä käytä imuria istuimena tai työtasona. Laite voi pudota ja aiheuttaa vammoja.

#### Akkukäyttöisen työkalun käyttö ja hoito

1. Lataa akkua vain valmistajan määrittämällä laturilla. Tietulle akkupaketille sopiva laturi voi aiheuttaa tulipalovaaran, jos sitä käytetään muuntypisten akkupaketin yhteydessä.
2. Käytä sähkötyökaluja vain määritysten mukaisten akkujen kanssa. Muuntypisten akkujen käyttäminen voi aiheuttaa loukkaantumisen tai tulipalovaaran.
3. Kun akku ei ole käytössä, säilytä se erillään metalliesineistä, kuten paperiliittimistä, kolikoista, avaimista, nauloista, ruuveista ja muista pienistä metalliesineistä, jotka voivat yhdistää akun navat. Akun napojen oikosulkeminen voi aiheuttaa palovamman tai tulipalon.
4. Akusta voi vuotaa nestettä, jos sitä käsitellään väärin. Vältä kosketusta. Jos nestettä pääsee iholle vahingossa, huuhtelee iho vedellä. Jos nestettä pääsee silmiin, hakeudu lääkärin hoitoon. Ulos purkautunut akkuneuste voi ärsyttää ihoa tai aiheuttaa palovammoja.

5. Älä käytä viallista tai muunneltua akkua tai työkalua. Vialliset tai muunnellut akut voivat toimia odottamattomasti aiheuttamalla tulipalo-, räjähdys- tai tapaturmavaaran.
6. Älä altista akkua tai työkalua tulelle tai äärimaisille lämpötiloille. Altistus tulelle tai yli 130 °C lämpötiloille voi aiheuttaa räjähdyksen.
7. Noudata kaikkia latausohjeita, äläkä lataa akkua tai työkalua ohjeissa määritettyjen lämpötilarajojen ulkopuolella. Väärin tai ohjeissa määritettyjen lämpötilarajojen ulkopuolella suoritettu lataus voi aiheuttaa akkuvaurion ja kasvattaa tapaturmavaaraa.

## SÄILYTÄ NÄMÄ OHJEET.

**VAROITUS:** ÄLÄ anna työkalun helpkokäyttöisyyden (toistuvan käytön aikaansaama) johtaa sinua väärään turvallisuuden tunteeseen niin, että laiminlyöt työkalun turvaohjeiden noudattamisen. VÄÄRINKÄYTTÖ tai tässä käyttöohjeessa ilmoitettujen turvamääräysten laiminlyönti voi aiheuttaa vakavia henkilövahinkoja.

## Akkupakettia koskevia tärkeitä turvaohjeita

1. Ennen akun käyttöönottoa tutustu kaikkiin laturissa (1), akussa (2) ja akkukäyttöisessä tuotteessa (3) oleviin varoitusteksteihin.
2. Älä pura akkua.
3. Jos akun toiminta-aika lyhenee merkittävästi, lopeta akun käyttö. Seurauksena voi olla ylikuumeneminen, palovammoja tai jopa räjähdys.
4. Jos akkuneustetta pääsee silmiin, huuhtelee puhtaalla vedellä ja hakeudu välittömästi lääkärin hoitoon. Akkuneuste voi aiheuttaa näön menetyksen.
5. Älä oikosulje akkua.
  - (1) Älä koske akun napoihin millään sähköä johtavalla materiaalilla.
  - (2) Vältä akun oikosulkemista äläkä säilytä akkua yhdessä muiden metalliesineiden, kuten naulojen, kolikoiden ja niin edelleen kanssa.
  - (3) Älä aseta akkua alttiiksi vedelle tai sateelle.
 Oikosulku voi aiheuttaa virtapiikin, ylikuumentumista, palovammoja tai laitteen rikkoontumisen.
6. Älä säilytä työkalua ja akkua paikassa, jossa lämpötila voi nousta 50 °C:een tai sitäkin korkeammaksi.
7. Älä hävitä akkua polttamalla, vaikka se olisi pahoin vaurioitunut tai täysin loppuun kulunut. Avotuli voi aiheuttaa akun räjähtämisen.
8. Varo kolhimasta tai pudottamasta akkua.
9. Älä käytä viallista akkua.
10. Sisältyviä litium-ioni-akkuja koskevat vaarallisten aineiden lainsäädännön vaatimukset. Esimerkiksi kolmansien osapuolten huolintaliikkeiden tulee kaupallisissa kuljetuksissa noudattaa pakkaamista ja merkintöjä koskevia erityisvaatimuksia.

Lähetettävän tuotteen valmistelu edellyttää vaarallisten aineiden asiantuntijan neuvontaa. Huomioi myös mahdollisesti yksityiskohtaisemmat kansalliset määräykset

Akun avoimet liittimet tulee suojata teipillä tai suojuksella ja pakkaaminen tulee tehdä niin, ettei akku voi liikkua pakkauksessa.

11. Hävitä akku paikallisten määräysten mukaisesti.
12. Käytä akkuja vain Makitan ilmoittamien tuotteiden kanssa. Akkujen asentaminen yhteensopimattomiin tuotteisiin voi aiheuttaa tulipalon, liiallisen ylikuumenemisen, räjähdyksen tai akkuneestevoutoja.

## SÄILYTÄ NÄMÄ OHJEET.

**HUOMIO:** Käytä vain alkuperäisiä Makita-akkuja. Muiden kuin aitojen Makita-akkujen, tai mahdollisesti muutettujen akkujen käyttö voi johtaa akun murtumiseen ja aiheuttaa tulipaloja, henkilö- ja omaisuusvahinkoja. Se mitätöi myös Makita-työkalun ja -laturin Makita-takuun.

## Vihjeitä akun käyttöiän pidentämiseksi

1. Lataa akku ennen kuin se purkautuu täysin. Lopeta aina työkalun käyttö ja lataa akku, jos huomaat työkalun tehon vähenevän.
2. Älä koskaan lataa uudestaan täysin ladattua akkua. Ylilataaminen lyhentää akun käyttöikää.
3. Lataa akku huoneen lämpötilassa välillä 10 °C - 40 °C. Anna kuuman akun jäähtyä ennen lataamista.
4. Lataa akkupaketti, jos et käytä sitä pitkään aikaan (yli kuusi kuukautta).

## Langatonta yksikköä koskevat tärkeät turvallisuusohjeet

1. Älä pura tai peukaloi imuria. Imurissa olevaa langatonta yksikköä ei voi poistaa.
2. Älä käytä langatonta aktivoititoimintoa paikoissa, joiden lähellä on lääketieteellisiä laitteita, kuten sydämentahdistajia tai automaattisia laitteita, kuten automaattioivia ja palohälyttimiä.
3. Älä käytä imuria paikassa, jossa lämpötila voi nousta yli 50 °C (122 °F).
4. Langaton yksikkö on tarkkuuslaite. Varo kolhimasta tai pudottamasta imuria.
5. Älä jätä imuria paikkaan, missä on staattista sähköä tai missä sähkökohinahäiriötä voi muodostua.

## TOIMINTOJEN KUVAUS

**HUOMIO:** Varmista aina ennen säätöjä ja tarkastuksia, että työkalu on sammutettu ja akkupaketti irrotettu.

## Akun asentaminen tai irrottaminen

**HUOMIO:** Sammuta työkalu aina ennen akun kiinnittämistä tai irrottamista.

**HUOMIO:** Pidä työkalusta ja akusta tiukasti kiinni, kun irrotat tai kiinnität akkua. Jos akkupaketti tai työkalu putoaa, ne voivat vaurioitua tai aiheuttaa tapaturman.

**HUOMIO:** Varo, etteivät sormesi jää akun suojakannen väliin sen avaamisen tai sulkemisen aikana. Muuten seurauksena voi olla henkilövamma.

Asenna akku avaamalla ensin lukko ja sen jälkeen akun suojakansi. Tämän jälkeen aseta akku paikalleen.

► **Kuva1:** 1. Lukko 2. Akun suojakansi

Sovita akun kieleke kotelon uraan ja työntämällä se sitten paikoilleen. Työnnä akku pohjaan asti niin, että kuulet sen napasahtavan paikoilleen. Tämän jälkeen lukitse akun suojakansi.

► **Kuva2:** 1. Akku

Irrota akku painamalla akun etupuolella olevaa painiketta ja vetämällä akku ulos työkalusta.

**HUOMIO:** Työnnä akku aina pohjaan asti, niin että punainen ilmaisin ei enää näy. Jos akku ei ole kunnolla paikallaan, se voi pudota työkalusta ja aiheuttaa vammoja joko sinulle tai sivullisille.

**HUOMIO:** Älä käytä voimaa akun asennuksessa. Jos akku ei lii'u paikalleen helposti, se on väärässä asennossa.













**HUOMAA:** Imuri ei toimi yhdellä akulla.




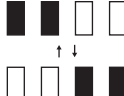

## Akun jäljellä olevan varaustason ilmaisimien

*Vain akkupaketeille ilmaisimella*

► **Kuva3:** 1. Merkkivalot 2. Tarkistuspainike

Painamalla tarkistuspainiketta saat näkyviin akun jäljellä olevan varaustason. Merkkivalot palavat muutaman sekunnin ajan.

Merkkivalot			Akussa jäljellä olevan varaustason
 Palaa	 Pois päältä	 Viikkuu	
			75% - 100%
			50% - 75%
			25% - 50%
			0% - 25%
			Lataa akku.


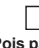





Merkkivalot			Akussa jäljellä olevan varaus
 Palaa	 Pois päältä	 Viilkuu	
			Akussa on saattanut olla toimintahäiriö.
			

**HUOMAA:** Ilmoitettu varaustaso voi erota hieman todellisesta varaustasosta sen mukaan, millaisissa oloissa ja missä lämpötilassa laitetta käytetään.

## Akun jäljellä olevan varaustason ilmaisimien

- **Kuva4:** 1. Akun merkkivalo 2. Tarkistuspainike  
3. Valmiustilan kytkin
- **Kuva5**

Painamalla tarkistuspainiketta saat näkyviin akun varaustason. Kumpikin akun ilmaisimien vastaa yhtä akkua.

Akun merkkivalon tila			Akussa jäljellä oleva varaus
 Päällä	 Pois päältä	 Viilkuu	
			50 % - 100 %
			20 % - 50 %
			0 % - 20 %
			Lataa akku

**HUOMAA:** Kun imuri käynnistetään valmiustilan kytkimen ollessa asetettuna asentoon "AUTO", akkuilmaisimien ei toimi.


## Työkalun/akun suojausjärjestelmä

Työkalu on varustettu työkalu/akun suojausjärjestelmällä. Tämä järjestelmä pidentää työkalun ja akun käyttöikää katkaisemalla automaattisesti moottorin virran. Työkalu pysähtyy automaattisesti kesken käytön, jos työkalussa tai akussa ilmenee jokin seuraavista tilanteista:

## Ylikuormitusuoja

Kun työkalua käytetään tavalla, joka saa sen kuluttamaan epätavallisen suuren määrän virtaa, työkalu pysähtyy automaattisesti ilman mitään merkkivaloa tai ilmaisinta. Katkaise tässä tilanteessa työkalusta virta ja lopeta ylikuormitustilan aiheuttanut käyttö. Käynnistä sitten työkalu uudelleen kytkemällä siihen virta.

## Ylikuumenemissuoja

<input type="checkbox"/> päällä	<input checked="" type="checkbox"/> Viilkuu
	

Kun työkalu ylikuumenee, työkalu pysähtyy automaattisesti ja akun merkkivalo vilkkuu noin 60 sekunnin ajan. Anna silloin työkalun jäähtyä, ennen kuin kytket työkalun uudelleen päälle.

## Ylipurkautumissuoja



Jos akun varaus käy vähiin, työkalu pysähtyy automaattisesti. Jos työkalu ei toimi, vaikka kytkimiä käytetään, irrota akut työkalusta ja lataa ne.

## Kytkimien käyttäminen

- **Kuva6:** 1. Valmiustilan kytkin 2. Virtapainike  
3. Imutehon säätönappi

Imurin käynnistyksen:

1. Aseta valmiustilan kytkin asentoon "I". Imuri siirtyy valmiustilaan.
  2. Paina virtapainiketta.
- Paina uudelleen virtapainiketta imurin asettamiseksi valmiustilaan. Sammuta imuri asettamalla valmiustilan kytkin asentoon "O".

Imutehoa voidaan säätää työkohteen mukaan. Imuteho kasvaa käännettäessä imutehon säätönappia  -kuvakkeesta kohti  -kuvaketta.

**HUOMAUTUS:** Jos imuria ei käytetä pitkään aikaan, aseta aina valmiustilan kytkin asentoon "O". Imuri kuluttaa virtaa valmiustilan aikana.

## Pyörän lukitseminen tai lukituksen vapauttaminen

- **Kuva7:** 1. Pyörä 2. Pysäytinvipu 3. VAPAA asento  
4. LUKITTU asento

Pyörän lukitseminen on hyödyllistä imurin säilytyksen aikana, työskentelyn lopettamisen aikana ja kun imuri täytyy pitää paikallaan.

Käytä pysäytintä siirtämällä sitä käsin. Voit lukita pyörän pysäyttimellä laskemalla pysäytinvipun alas, jolloin pyörä ei enää pyöri. Voit vapauttaa pyörän lukitusta asennosta nostamalla pysäytinvipun ylös.

**HUOMAA:** Varmista, että pyörä ei ole lukittu kun liikutat imuria. Imurin liikkuttaminen pyörän ollessa lukittuna voi aiheuttaa pyörävaurion.

## Kantokahva

Kun kannat imuria, kannata sitä sen päällä olevasta kahvasta. Kahvan voi taittaa alas, kun sitä ei käytetä.

- **Kuva8**

# LANGATON AKTIVOINTITOIMINTO

## Mitä langattomalla aktivoointitoiminnolla voi tehdä

Langaton aktivoointitoiminto mahdollistaa puhtaan ja miellyttävän käyttötoiminnan. Liittämällä tuettu laite imuriin, voit käyttää imuria automaattisesti yhdessä laitteen kytkintoiminnon kanssa.

► Kuva9

**HUOMAUTUS:** Katso lisätietoja laitteen käyttöohjeesta käytettäessä imuria langattoman aktivoointitoiminnon kanssa.

**HUOMAUTUS:** Älä pura tai peukaloi langatonta yksikköä.

**HUOMAUTUS:** Sulje aina langattoman yksikön kansi laitteessa käytön tai säilytyksen ajaksi.

**HUOMAUTUS:** Älä irrota langatonta yksikköä laitteesta laitteen virransyötön aikana. Muussa tapauksessa voi seurauksena olla langattoman yksikön käyttöhäiriöitä.

**HUOMAUTUS:** Älä paina langatonta aktivoointipainiketta liian kovaa ja/tai paina painiketta teräväreunaisilla kohteilla.

**HUOMAA:** Makitan laitteiden täytyy olla varustettu langattomalla yksiköllä langatonta aktivoointia varten.

**HUOMAA:** Laiterekisteröinti on suoritettava ennen jokaisen laitteen ensimmäistä langatonta aktivoointitoimintoa. Kun laiterekisteröinti on valmis, uudelleenrekisteröintiä ei tarvita ellei sitä ole peruutettu.

**HUOMAA:** Varmista ennen rekisteröintiä, että langaton yksikkö on asetettu oikein laitteeseen.

**HUOMAA:** Yhteen imuriin voidaan rekisteröidä 10 laitetta. Jos imuriin on rekisteröity yli 10 laitetta, aikaisemmin rekisteröity laite peruutetaan automaattisesti.

**HUOMAA:** Langattoman aktivoointipainikkeen asento vaihtelee laitteesta riippuen.

**HUOMAA:** Imuri käynnistyy myös painamalla virtapainiketta valmiustilan kytkimen ollessa asetettu asentoon "AUTO".

Virtapainike ei kuitenkaan toimi, jos langatonta aktivoointitoimintoa on käytetty.

## Laitteen rekisteröinti imurille

**HUOMAA:** Makita laite tukee langatonta aktivoointitoimintoa, joka vaaditaan laiterekisteröintiä varten.

**HUOMAA:** Viimeistelee langattoman yksikön asennus laitteeseen ennen laiterekisteröinnin aloittamista.

**HUOMAA:** Älä paina laitteen liipaisinkytkintä tai aseta imurin virtakytkintä päälle laiterekisteröinnin aikana.

**HUOMAA:** Katso lisätietoja myös laitteen käyttöohjeesta.

Jos haluat aktivoida imurin yhdessä laitteen kytkintoiminnon kanssa, viimeistelee laiterekisteröinti ensin.

1. Asenna akut imuriin ja laitteeseen.
2. Aseta imurin valmiustilan kytkin asentoon "AUTO".  
► **Kuva10:** 1. Valmiustilan kytkin
3. Paina imurin langatonta aktivoointipainiketta noin 3 sekunnin ajan, kunnes langattoman aktivoinnin merkkivalo vilkkuu vihreänä. Ja tämän jälkeen paina laitteen langatonta aktivoointipainiketta samalla tavalla.  
► **Kuva11:** 1. Langaton aktivoointipainike  
2. Langattoman aktivoinnin merkkivalo

Jos imuri ja laite kytketään oikein, langattoman aktivoinnin merkkivalo palaa vihreänä 2 sekunnin ajan ja vilkkuu tämän jälkeen sinisenä.

**HUOMAA:** Langattoman aktivoinnin merkkivalo lopettaa vilkkumisen vihreänä 20 sekunnin kuluttua. Paina laitteen langatonta aktivoointipainiketta samalla kun imurin langattoman aktivoinnin merkkivalo vilkkuu. Jos langattoman aktivoinnin merkkivalo ei vilku vihreänä, paina langatonta aktivoointipainiketta lyhyesti ja pidä sitä painettuna alas.

**HUOMAA:** Suoritettaessa kaksi tai useampaa laiterekisteröintiä imurille, lopeta laiterekisteröinti yksi kerrallaan.

## Langattoman aktivoointitoiminnon aloitus

**HUOMAA:** Viimeistelee laiterekisteröinti imurille ennen langatonta aktivoointia.

**HUOMAA:** Sijoita imuri aina niin, että voit nähdä langattoman aktivoinnin merkkivalon tilan.

**HUOMAA:** Katso lisätietoja myös laitteen käyttöohjeesta.

Kun laite on rekisteröity imurille, imuri toimii automaattisesti yhdessä laitteen kytkintoiminnon kanssa.

1. Langattoman yksikön asennus laitteeseen.
2. Kiinnitä imurin letku laitteeseen.  
► **Kuva12**
3. Aseta imurin valmiustilan kytkin asentoon "AUTO".  
► **Kuva13:** 1. Valmiustilan kytkin
4. Paina laitteen langatonta aktivoointipainiketta lyhyesti. Langattoman aktivoinnin merkkivalo vilkkuu sinisenä.  
► **Kuva14:** 1. Langaton aktivoointipainike  
2. Langattoman aktivoinnin merkkivalo

5. Paina laitteen liipaisinkytkintä. Tarkasta, onko imuri käynnissä samalla kun liipaisinkytkintä pidetään painettuna.

Lopeta langaton aktivointi painamalla laitteen langatonta aktivoointipainiketta, tai asettamalla imurin valmiustilan kytkin asentoon "I" tai "O".

**HUOMAA:** Laitteen langattoman aktivoinnin merkkivalo lopettaa vilkkumisen sinisenä, jos mitään toimintoa ei ole suoritettu 2 tunnin aikana. Tässä tapauksessa aseta imurin valmiustilan kytkin asentoon "AUTO" ja paina uudelleen laitteen langatonta aktivoointipainiketta.

**HUOMAA:** Imuri käynnistyy/sammutuu viiveellä. Käytössä on aikaviive kun imuri tunnistaa laitteen kytkintoiminnon.

**HUOMAA:** Langattoman yksikön lähetysetäisyys voi vaihdella riippuen sijainnista ja ympäristön olosuhteista.

**HUOMAA:** Jos kaksi tai useampia laitteita rekisteröidään yhdelle imurille, imuri voi aloittaa toiminnan vaikka et olisi painanut liipaisinkytkintä, koska toinen käyttäjä käyttää langatonta aktivoointitoimintoa.

## Laiterekisteröinnin peruutus imurille

Suorita seuraavat toimenpiteet peruuttaessasi laiterekisteröinnin imurille.

- Asenna akut imuriin ja laitteeseen.
- Aseta imurin valmiustilan kytkin asentoon "AUTO".  
► **Kuva15:** 1. Valmiustilan kytkin

3. Paina imurin langatonta aktiivointipainiketta 6 sekunnin ajan. Langattoman aktiivoinnin merkkivalo vilkkuu vihreänä ja tämän jälkeen punaisena. Tämän jälkeen paina laitteen langatonta aktiivointipainiketta samalla tavalla.

- **Kuva16:** 1. Langaton aktiivointipainike  
2. Langattoman aktiivoinnin merkkivalo

Jos peruutus suoritetaan oikein, langattoman aktiivoinnin merkkivalo palaa punaisena 2 sekunnin ajan ja vilkkuu tämän jälkeen sinisenä.

**HUOMAA:** Langattoman aktiivoinnin merkkivalo lopettaa vilkkumisen punaisena 20 sekunnin kuluttua. Paina laitteen langatonta aktiivointipainiketta samalla kun imurin langattoman aktiivoinnin merkkivalo vilkkuu. Jos langattoman aktiivoinnin merkkivalo ei vilku punaisena, paina langatonta aktiivointipainiketta lyhyesti ja pidä sitä painettuna alas.

## Kaikkien laiterekisteröintien poistaminen

Voit poistaa kaikki laiterekisteröinnit imurista seuraavalla tavalla.

- **Kuva17:** 1. Valmiustilan kytkin 2. Langaton aktiivointipainike 3. Langattoman aktiivoinnin merkkivalo

- Asenna akut imuriin.
- Aseta valmiustilan kytkin asentoon "AUTO".
- Pidä langatonta aktiivointipainiketta painettuna noin 6 sekunnin ajan, kunnes langattoman aktiivoinnin merkkivalo vilkkuu punaisena (noin kaksi kertaa sekunnissa).
- Kun langattoman aktiivoinnin merkkivalo aloittaa vilkkumisen punaisena, vapauta langaton aktiivointipainike. Tämän jälkeen pidä langatonta aktiivointipainiketta uudelleen painettuna noin 6 sekunnin ajan.
- Kun langattoman aktiivoinnin merkkivalo aloittaa nopean vilkkumisen (noin 5 kertaa sekunnissa) punaisena, vapauta langaton aktiivointipainike. Kun langattoman aktiivoinnin merkkivalo palaa punaisena ja sammuu myöhemmin, kaikki laiterekisteröinnit on poistettu.

**HUOMAA:** Jos langattoman aktiivoinnin merkkivalo ei vilku punaisena, paina langatonta aktiivointipainiketta lyhyesti ja yritä uudelleen.

## Langattoman aktiivoinnin merkkivalon tilan kuvaus

- **Kuva18:** 1. Langaton aktiivointipainike  
2. Langattoman aktiivoinnin merkkivalo

Langattoman aktiivoinnin merkkivalo osoittaa langattoman aktiivointitoiminnon tilan. Katso merkkivalon tilaa koskeva tarkoitus alapuolella olevasta taulukosta.

Tila	Langattoman aktiivoinnin merkkivalo			Kesto	Kuvaus
	Väri	 Päällä	 Vilkkuu		
Valmiustila	Sininen		Imuri: jatkuva Laitte: 2 tuntia	Odottaa laiterekisteröintiä tai kun langaton aktiivointitoiminto on käytettävissä.  Imurin merkkivalo vilkkuu, jos valmiustilan kytkin on asetettu asentoon AUTO. Laitteen merkkivalo vilkkuu, jos langatonta aktiivointipainiketta on painettu. Laitteen merkkivalo sammuu automaattisesti jos mitään toimintoa ei ole suoritettu 2 tunnin aikana.	
			Kun laite on käynnissä.	Imurin langaton aktiivointi on käytettävissä ja laite on käynnissä.	
Laiterekisteröinti	Vihreä		20 sekuntia	Valmis laiterekisteröintiä varten. Etsii rekisteröitävää laitetta.	
			2 sekuntia	Laiterekisteröinti on valmis. Langattoman aktiivoinnin merkkivalo vilkkuu sinisenä.	
Laiterekisteröinnin peruutus/poistaminen	Punainen	 (hidas: 2 kertaa/ sekunnissa)	20 sekuntia	Valmis laiterekisteröinnin peruutukseen. Etsii peruutettavaa laitetta.	
		 (nopea: 5 kertaa/ sekunnissa)	Jos langatonta aktiivointipainiketta on painettu.	Valmis kaikkien laiterekisteröintien poistamiseen.	
			2 sekuntia	Laiterekisteröinti on peruutettu/poistettu. Langattoman aktiivoinnin merkkivalo vilkkuu sinisenä.	
Muut	Punainen		3 sekuntia	Langattomalle yksikölle syötetään virtaa ja langaton aktiivointitoiminto käynnistyy.	
	Pois päältä	-	-	Valmiustilan kytkintä ei ole asetettu asentoon "AUTO".	

## Langattoman aktivointitoiminnon vianetsintä

Tarkista laite ensin itse, ennen kuin viet sen korjattavaksi. Jos ongelmaan ei löydy ratkaisua käyttöoppaasta, älä kuitenkaan yritä purkaa työkalua osiin. Vie ota sen sijaan yhteyttä Makita-huoltoiliikkeeseen. Käytä korjaamiseen aina alkuperäisiä Makita-varaosia.

Epänormaali tila	Todennäköinen syy (toimintahäiriö)	Korjaus
Langattoman aktivoinnin merkivalo ei pala/vilku.	Langatonta yksikköä ei ole asennettu laitteeseen. Langaton yksikkö on asennettu virheellisesti laitteeseen.	Asenna langaton yksikkö oikein laitteeseen.
	Langattoman yksikön liitäntä ja/tai ura on likainen.	Pyyhi langattoman yksikön liitäntä varovaisesti pölystä ja liasta ja puhdista laitteessa oleva ura.
	Laitteen langatonta aktivointipainiketta ei ole painettu.	Paina laitteen langatonta aktivointipainiketta lyhyesti.
	Imurin valmiustilan kytkintä ei ole asetettu asentoon "AUTO".	Aseta imurin valmiustilan kytkin asentoon "AUTO".
	Ei virransyöttöä	Syötä virtaa laitteelle ja imurille.
Laiterekisteröintiä/laiterekisteröinnin peruutusta ei voi viimeistellä oikein.	Langatonta yksikköä ei ole asennettu laitteeseen. Langaton yksikkö on asennettu virheellisesti laitteeseen.	Asenna langaton yksikkö oikein laitteeseen.
	Langattoman yksikön liitäntä ja/tai ura on likainen.	Pyyhi langattoman yksikön liitäntä varovaisesti pölystä ja liasta ja puhdista laitteessa oleva ura.
	Imurin valmiustilan kytkintä ei ole asetettu asentoon "AUTO".	Aseta imurin valmiustilan kytkin asentoon "AUTO".
	Ei virransyöttöä	Syötä virtaa laitteelle ja imurille.
	Virheellinen toiminta	Paina langatonta aktivointipainiketta lyhyesti ja suorita laiterekeröinti-/peruutustoiminnot uudelleen.
	Laite ja imuri ovat kaukana toisistaan (lähetyalueen ulkopuolella).	Siirrä laite ja imuri lähemmäksi toisiaan. Maksimilähetysetäisyys on noin 10 m, mutta se voi kuitenkin vaihdella olosuhteista riippuen.
	Ennen laiterekeröinnin/peruutuksen viimeistelyä; - laitteen liipaisinkytkintä on painettu tai; - imurin virtakytkin on kytketty päälle.	Paina langatonta aktivointipainiketta lyhyesti ja suorita laiterekeröinti-/peruutustoiminnot uudelleen.
	Laiterekisteröintiä laitteelle tai imurille ei ole viimeistelty.	Suorita laiterekeröinti sekä laitteelle että imurille samanaikaisesti.
	Muiden laitteiden aiheuttama radiohäiriö voi muodostaa erittäin voimakkaita radioaaltoja.	Pidä laite ja imuri kaukana laitteista, kuten Wi-Fi-laitteet ja mikroaaltouunit.
Imuri ei toimi yhdessä laitteen kytkin-toiminnon kanssa.	Langatonta yksikköä ei ole asennettu laitteeseen. Langaton yksikkö on asennettu virheellisesti laitteeseen.	Asenna langaton yksikkö oikein laitteeseen.
	Langattoman yksikön liitäntä ja/tai ura on likainen.	Pyyhi langattoman yksikön liitäntä varovaisesti pölystä ja liasta ja puhdista laitteessa oleva ura.
	Laitteen langatonta aktivointipainiketta ei ole painettu.	Paina langatonta aktivointipainiketta lyhyesti ja varmista, että langattoman aktivoinnin merkivalo vilkkuu sinisenä.
	Imurin valmiustilan kytkintä ei ole asetettu asentoon "AUTO".	Aseta imurin valmiustilan kytkin asentoon "AUTO".
	Yli 10 laitetta on rekisteröity imurille.	Suorita laiterekeröinti uudelleen. Jos yli 10 laitetta on rekisteröity imurille, aikaisemmin rekisteröity laite peruutetaan automaattisesti.
	Imuri poistaa kaikki laiterekeröinnit.	Suorita laiterekeröinti uudelleen.
	Ei virransyöttöä	Syötä virtaa laitteelle ja imurille.
	Laite ja imuri ovat kaukana toisistaan (lähetyalueen ulkopuolella).	Siirrä laite ja imuri lähemmäksi toisiaan. Maksimilähetysetäisyys on noin 10 m, mutta se voi kuitenkin vaihdella olosuhteista riippuen.
	Muiden laitteiden aiheuttama radiohäiriö voi muodostaa erittäin voimakkaita radioaaltoja.	Pidä laite ja imuri kaukana laitteista, kuten Wi-Fi-laitteet ja mikroaaltouunit.



Epänormaali tila	Todennäköinen syy (toimintahäiriö)	Korjaus
Imuri on käynnissä samalla kun liipaisinkytkintä ei paineta.	Muut käyttäjät käyttävät imurin langatonta aktiivointia heidän laitteillaan.	Katkaise muiden laitteiden langaton aktiivointipainike tai peruuta muiden laitteiden laiterekeröinti.
Imurissa olevia laiterekeröintejä ei voi poistaa.	Paina laitteen langatonta aktiivointipainiketta.	Paina imurin langatonta painiketta kaikkien laiterekeröintiä poistamiseksi.
	Imurin valmiustilan kytkintä ei ole asetettu asentoon "AUTO".	Aseta imurin valmiustilan kytkin asentoon "AUTO".
	Langatonta aktiivointipainiketta ei ole pidetty oikein painettuna.	Pidä langatonta aktiivointipainiketta painettuna uudelleen yli 6 sekunnin ajan ja vapauta se, kun langattoman aktiivoinnin merkkivalo vilkkuu punaisena. Pidä langatonta aktiivointipainiketta painettuna uudelleen yli 6 sekunnin ajan, kunnes langattoman aktiivoinnin merkkivalo vilkkuu nopeasti punaisena ja vapauta painike tämän jälkeen.

## OSIEN KUVAUS

- **Kuva19:** 1. Säiliön kansi 2. Jauhesuodatin (HEPA)  
3. Vaimennin 4. Esisuodatin 5. Säiliö

## KOKOONPANO

**⚠HUOMIO:** Varmista aina ennen mitään työkalulle tehtäviä toimenpiteitä, että se on sammutettu ja akku irrotettu.

**⚠HUOMIO:** Käytä aina pölysuojainta asennuksen tai huollon aikana.

## Jauhesuodattimen (HEPA) ja esisuodattimen (kuivalle materiaalille) asennus

**⚠HUOMIO:** Älä koskaan imuroi vettä, muita nesteitä tai märkää materiaalia jauhesuodattimen käytön aikana. Muutoin jauhesuodatin voi vaurioitua.

Jauhesuodattimen käyttö:

1. Aseta esisuodatin säiliöön kohdistamalla kiinnityspaikan merkinnät kohdakkain.
  2. Asenna vaimennin jauhesuodattimeen ja tämän jälkeen aseta ne esisuodattimeen kohdistamalla kiinnityspaikan merkinnät kohdakkain.
  3. Lopuksi asenna säiliön kansi paikalleen ja lukitse se.
- **Kuva20:** 1. Säiliön kansi 2. Jauhesuodatin (HEPA)  
3. Vaimennin 4. Esisuodatin 5. Säiliö  
6. Kiinnityspaikan merkintä

**HUOMAUTUS:** Ennen kuin käytät jauhesuodatinta, varmista, että esisuodatin ja vaimennin ovat molemmat asennettuina. Älä asenna pelkkää jauhesuodatinta.

## Paperisuodatinpussin asentaminen

Lisävaruste

**⚠VAROITUS:** Jos käytät paperipussia, käytä myös laitteeseen valmiiksi asennettua esisuodatinta. Jos esisuodatinta ei käytetä, imuri voi pitää epätavallista ääntä, ylikuumentua tai syttyä palamaan.

**⚠HUOMIO:** Ennen paperisuodatinpussin käyttöä varmista, että jauhesuodatin, vaimennin ja esisuodatin ovat aina asennettuina.

1. Irrota kumipidike.
- **Kuva21:** 1. Kumipidike
2. Avaa paperisuodatinpussi.
  3. Kohdista paperisuodatinpussin aukko imurin imuaukkoon.
  4. Sovita paperisuodatinpussin pahvi pidikkeeseen niin, että se osoittaa ulokkeen ohi taaksepäin.
- **Kuva22:** 1. Paperisuodatinpussi 2. Pidike

## Muovipussin asentaminen

Imuria voidaan käyttää myös ilman muovipussia.

Muovipussia käytettäessä säiliön tyhjentäminen on tavallista helpompaa eivätkä kätesi liikaannu.

Levitä muovipussi säiliön sisälle. Aseta se pidikelevyn ja säiliön väliin ja vedä se letkuliitännään.

- **Kuva23:** 1. Pidikelevy 2. Muovipussi

Levitä pussi säiliön yläosan ympärille niin, että esisuodattimen reuna voi pitää pussin luotettavasti paikallaan.

- **Kuva24:** 1. Esisuodatin

**HUOMAA:** Voit käyttää yleisesti myynnissä olevia muovipusseja. Suosituspaksuus on vähintään 0,04 mm.

**HUOMAA:** Yliätetty pussi repeää helposti, joten älä täytä sitä yli puolivälin.

## Muovipussin tyhjentäminen

**⚠VAROITUS:** Varmista aina ennen pussin tyhjentämistä, että laite on sammutettu ja akku irrotettu. Muutoin seurauksena voi olla sähköisku ja vakava henkilövahinko.

**⚠HUOMIO:** Älä altista säiliötä voimakkailla iskuille. Kova isku voi muuttaa osien muotoa ja aiheuttaa niiden vaurioitumisen.

**⚠HUOMIO:** Tyhjennä säiliö vähintään kerran päivässä imurin säiliöön kerääntyvän pölyn määrästä riippumatta. Muutoin imuteho heikkenee ja moottori voi vaurioitua.

**⚠HUOMIO:** Älä tartu pidikkeeseen, kun tyhjennät säiliötä. Pidike voi vaurioitua, jos siihen tartutaan.

Avaa ja irrota säiliön kansi.

Ravistele esisuodatin pölystä ja poista sen jälkeen muovipussi säiliöstä.

► Kuva25

**HUOMAA:** Kun tyhjennät muovipussia, poista se säiliöstä varovasti niin, että se ei tartu mihinkään ja repeä sen tyhjentämisen aikana.

**HUOMAA:** Tyhjennä muovipussi sen ollessa täynnä. Muovipussi voi repeytyä, jos säiliössä on liikaa pölyä.

## Varustelaatikon asennus

1. Avaa akun suojakannen lukitus ja avaa suojakansi.
2. Aseta varustelaatikon kiskot kotelossa oleviin uriin.
3. Sulje akun suojakansi ja lukitse se.

► Kuva26

Varustelaatikko on käytännöllinen akkuja, putki tai sovittimien lukuttamiseen.

► Kuva27

## Letkun kiinnittäminen

**HUOMAUTUS:** Älä koskaan taivuta tai tallo letkua. Älä koskaan liikuta imuria letkusta vetämällä. Vääntäminen, tallominen tai vetäminen voi aiheuttaa letkuvaurioita.

**HUOMAUTUS:** Jos imuroit suurikokoisia roskia, kuten höylän lastuja, betonimursusia tai muuta vastaavaa, käytä sisähalkaisijaltaan 38 mm:n letkua (lisävaruste). Jos käytät sisähalkaisijaltaan 28 mm:n letkua (lisävaruste), se voi mennä tukkoon jos vaurioitua.

Työnnä letku säiliön liitäntään ja käännä letkua myötäpäivään, kunnes se lukittuu paikalleen.

► Kuva28

## KUNNOSSAPITO

**⚠HUOMIO:** Varmista aina ennen tarkastusta tai huoltoa, että työkalu on sammutettu ja akku irrotettu.

**HUOMAUTUS:** Älä koskaan käytä bensiiniä, ohenteita, alkoholia tai tms. aineita. Muutoin pinta voi halkeilla tai sen värit ja muoto voivat muuttua. Muutoin laitteeseen voi tulla värjäytyimiä, muodon vääristymiä tai halkeamia.

## Lisävarusteiden säilyttäminen

Putkikiinnikkeeseen voi kiinnittää putkia, joita ei juuri sillä hetkellä tarvita.

► Kuva29

► Kuva30

Letkua voidaan säilyttää laitteen ympärillä liittämällä se molemmista päistä.

► Kuva31

## Jauhesuodattimen (HEPA) ja esisuodattimen puhdistaminen

Tukkeutunut jauhesuodatin, esisuodatin tai vaimennin heikentävät imutehoa. Puhdista suodattimet ja vaimentimet säännöllisesti.

Voit puhdistaa pölyt ja hiukkaset suodattimesta ravistelemalla suodattimen kehystä nopeasti useita kertoja.

► Kuva32

Pese ja huutele jauhesuodatin aika ajoin vedellä ja anna sen kuivua kokonaan varjoisassa paikassa ennen sen uudeen käyttöä. Älä koskaan pese suodattimia pesukoneessa.

**HUOMAA:** Älä hierrä tai naarmuta jauhesuodatinta, esisuodatinta tai vaimenninta kärkeilla harjoilla tai muilla vastaavilla.

**HUOMAA:** Suodattimet kuluvat ajan kuluessa. Suosittelemme hankkimaan varasuodattimia kuluneiden tilalle.

Tuotteen TURVALLISUUDEN ja LUOTETTAVUUDEN takaamiseksi korjaukset, muut huoltotyöt ja säädöt on teetettävä Makitan valtuutetussa huoltopisteessä Makitan varaosia käyttäen.

## LISÄVARUSTEET

**⚠HUOMIO:** Seuraavia lisävarusteita tai laitteita suositellaan käytettäväksi tässä ohjeessa kuvatun Makita-työkalun kanssa. Muiden lisävarusteiden tai laitteiden käyttö voi aiheuttaa henkilövahinkoja. Käytä lisävarusteita ja -laitteita vain niiden käyttötarkoituksen mukaisesti.

Jos tarvitset apua tai yksityiskohtaisempia tietoja seuraavista lisävarusteista, ota yhteys paikalliseen Makitan huoltoon.

- Letku
- Etusovitinkappale (22, 24, 38)
- Suora putki
- Kulmasuutin
- Pyöreä harja
- Jauhesuodatin, HEPA (kuivalle materiaalille)
- Vaimennin
- Esisuodatin
- Suutin
- Kaariputki
- Muovipussi
- Paperisuodatinpussi
- Pidikesarja
- Aito Makitan akku ja laturi

**HUOMAA:** Jotkin luettelossa mainitut varusteet voivat sisältyä työkalun toimitukseen vakiovarusteina. Ne voivat vaihdella maittain.

## BRĪDINĀJUMS

Šo ierīci drīkst izmantot bērni no 8 gadu vecuma un personas ar samazinātām fiziskām, sensoriskām vai psihiskām spējām, vai kam trūkst pieredzes un zināšanu, ja tām nodrošināta uzraudzība un sniegti norādījumi par ierīces drošu izmantošanu un ja ir izprasti saistītie apdraudējumi. Bērni nedrīkst spēlēt ar ierīci. Ierīces tīrīšanu un apkopi nedrīkst veikt bērni bez uzraudzības.

## SPECIFIKĀCIJAS

<b>Modelis:</b>	<b>DVC864L</b>
Standarta filtra veids	Pulvera filtrs (sausajiem putekļiem)
Plūsmas apjoms (gaiss) (ar BL1850B, ø38 mm x 2,5 m šļūteni)	2,1 m <sup>3</sup> /min
Vakuums (ar BL1850B, ø38 mm x 2,5 m šļūteni)	98 hPa
Atgūstamais tilpums	8 l
Izmēri (G x P x A)	366 mm × 334 mm × 368 mm
Nominālais spriegums	Līdzstrāva 36 V
Standarta akumulatora kasetne	BL1815N, BL1820, BL1820B, BL1830, BL1830B, BL1840, BL1840B, BL1850, BL1850B, BL1860B
Neto svars	7,7–8,4 kg
„Bluetooth®” versija	4,1 (Enerģotaupīga tehnoloģija „Bluetooth”)
Frekvenču diapazons	2 402–2 480 MHz
Maksimālā pārraidītā signāla jauda	1,0 dBm (EIRP)
Uztveršanas attālums	Apmēram 10 m

- Nepārtrauktās izpētes un izstrādes programmas dēļ šeit uzrādītās specifikācijas var tikt mainītas bez brīdinājuma.
- Specifikācijas un akumulatora kasetne var atšķirties dažādās valstīs.
- Svarā nav iekļauti piederumi, bet tikai akumulatora kasetne(-es). Vieglākais un smagākais ierīces un akumulatora kasetnes(-ņu) kopējais svars ir norādīts tabulā.



„Bluetooth®” vārdiskā zīme un logotipi ir reģistrētas prečzīmes, kas pieder uzņēmumam „Bluetooth SIG, Inc.”, un uzņēmums „Makita” šīs zīmes izmanto saskaņā ar licenci. Citas prečzīmes un tirdzniecības zīmes pieder to attiecīgajiem īpašniekiem.

## Simboli

Zemāk ir attēloti simboli, kas attiecas uz iekārtu. Pirms darbarīka izmantošanas pārliecinieties, vai pareizi izprotat to nozīmi.



Izlasiet lietošanas rokasgrāmatu.



Esiet īpaši rūpīgs un uzmanīgs.



Brīdinājums! Putekļsūcējā var būt kaitīgi putekļi.



Nekad nestāviet uz putekļsūcēja.



Putekļu klase L (viegli). Putekļsūcēji ir spējīgi savākt L putekļu klases putekļus. Ievērojiet savā valstī spēkā esošos noteikumus attiecībā uz putekļiem un veselības aizsardzību un drošību darbā.



Tikai ES valstīm  
Elektroierīces vai akumulatora bloku  
neizmetiet majsaimniecības atkritumos!  
Saskaņā ar Eiropas direktīvām par nolieto-  
tām elektriskām un elektroniskām iekārtām,  
kā arī par baterijām un akumulatoriem,  
nolietotām baterijām un akumulatoriem un  
šo direktīvu ieviešanu saskaņā ar valsts  
likumdošanu, elektriskās iekārtas, baterijas  
un akumulatori, to darbmūžam beidzoties,  
jāsavāc atsevišķi un jānogādā vidi saudzē-  
jošā atreizējās pārstrādes uzņēmumā.

## Paredzētā lietošana

Šī ierīce ir paredzēta sausu putekļu savākšanai. Ierīce  
ir piemērota izmantošanai komerciālām vajadzībām,  
piemēram, viesnīcās, skolās, slimnīcās, veikalos, biro-  
jos, kā arī izīrēšanai.

## Trokšņa līmenis

Tipiskais A svērtais trokšņa līmenis noteikts saskaņā ar  
EN60335:

Skaņas spiediena līmeni ( $L_{pA}$ ): 70 dB (A) vai mazāk  
Mainīgums (K): 2,5 dB (A)

Darbības laikā trokšņa līmenis var pārsniegt 80 dB (A).

**▲BRĪDINĀJUMS:** Lietojiet ausu aizsargus.

## Vibrācija

Vibrācijas kopējā vērtība (trīsasu vektora summa)  
noteikta atbilstoši EN60335:

Vibrācijas emisija ( $a_{h,M}$ ): 2,5 m/s<sup>2</sup> vai mazāk  
Mainīgums (K): 1,5 m/s<sup>2</sup>

**PIEZĪME:** Paziņotā vibrācijas emisijas vērtība  
noteikta atbilstoši standarta pārbaudes metodei un to  
var izmantot, lai salīdzinātu vienu darbarīku ar citu.

**PIEZĪME:** Paziņoto vibrācijas emisijas vērtību arī var  
izmantot iedarbības sākotnējā novērtējumā.

**▲BRĪDINĀJUMS:** Reāli lietojot elektrisko dar-  
barīku, vibrācijas emisija var atšķirties no paziņotās  
emisijas vērtības atkarībā no darbarīka izmantošanas  
veida.

**▲BRĪDINĀJUMS:** Lai aizsargātu lietotāju, nosa-  
kiet drošības pasākumus, kas pamatoti ar iedarbību  
reālos darba apstākļos (ņemot vērā visus ekspluatā-  
cijas cikla posmus, piemēram, laiku, kamēr darbarīks  
ir izslēgts un kad darbojas tukšgaitā, kā arī palaides  
laiku).

## EK atbilstības deklarācija

*Tikai Eiropas valstīm*

EK atbilstības deklarācija šajā lietošanas rokasgrāmatā  
ir iekļauta kā A pielikums.

# DROŠĪBAS BRĪDINĀJUMI

## Drošības brīdinājumi bezvadu puteklšūcēja lietošanai

**▲BRĪDINĀJUMS: SVARĪGI! PIRMS  
LIETOŠANAS UZMANĪGI IZLASIET visus drošības  
brīdinājumus un visus norādījumus. Brīdinājumu  
un norādījumu neievērošanas gadījumā var rasties  
elektrotrauma, aizdegšanās un/vai smagas traumas.**

1. Pirms lietošanas pārlicinieties, ka lietotājs ir  
pienācīgi apmācīts lietot šo puteklšūcēju.
2. Neizmantojiet puteklšūcēju bez filtra.  
Nekavējoties nomainiet bojātu filtru.
3. NEPIELĀUJIET NEJAUŠU IEDARBINĀŠANU.  
Akumulatora (-u) ievietošanas laikā slēdzim  
jābūt izslēgtam (OFF).
4. Nemēģiniet savākt ugunsnedrošus priekšme-  
tus, piemēram, ugunošanas raķetes, degošas  
cigaretes, karstus pelnus, karstas metāla  
skaidas, kā arī asus priekšmetus, piemēram,  
žiletes, saplēstu stiklu u. c.
5. NEKĀDĀ GADĪJUMĀ NEIZMANTOJIET  
PUTEKLŠŪCĒJU, JA TUVUMĀ ATRODAS  
DEGVIELA, GĀZE, KRĀSA, LĪME VAI CITAS  
VIELAS AR AUGSTU SPRĀDZIENBĪSTĀMĪBU.  
Slēdzi ieslēdzot (ON) vai izslēdzot (OFF), rodas  
dzirksteles. Tāpat dzirksteles rodas arī no motora  
kolektora darbības laikā. Tas var izraisīt bīstamu  
sprādzienu.
6. Nekad neiesūciet toksiskus, kancerogēnus,  
ugunsnedrošus vai citus kaitīgus materiālus,  
piemēram, azbestu, arsēnu, bāriju, beriliju,  
svinu, pesticīdus vai citus materiālus, kas  
apdraud veselību.
7. Nekādā gadījumā neizmantojiet puteklšūcēju  
ārpus telpām lietū.
8. Nelietojiet siltuma avotu (piem., krāsns u. c.)  
tuvumā.
9. Neunosprostojet dzesēšanas atveres. Šīs  
atveres dzesē motoru. Īpaši rūpīgi raugieties,  
lai neveidotos nosprostojums, citādi motors  
sadegs ventilācijas trūkuma dēļ.
10. Vienmēr stingri stāviet uz droša pamata, sagla-  
bājot līdzsvaru.
11. Nelokiet, neraujiet šļūteni un nekāpiet tai virsū.
12. Ja izmantošanas laikā ierīce nedarbojas  
pareizi vai pamanāt jebkādas novirzes, neka-  
vējoties izslēdziet puteklšūcēju.
13. IZŅEMMIET AKUMULATORU (-US). Ja ierīci  
neizmantojat, pirms tās tehniskās apkopes un  
piederumu maiņas.
14. Tīriet un apkopiet puteklšūcēju uzreiz pēc  
katras lietošanas reizes, lai uzturētu to ideālā  
lietošanas kārtībā.
15. VEICIET RŪPĪGU PUTEKLŠŪCĒJA APKOPI.  
Uzturiet puteklšūcēju tīru, lai tā darbība būtu  
labāka un drošāka. Ievērojiet piederumu  
nomainīšanas norādījumus. Uzturiet rokturus  
sausus un tīrus; rūpējieties, lai uz tiem nebūtu  
eļļas un smērvielu.

16. **PĀRBAUDIET, VAI NAV BOJĀTU DAĻU.** Pirms turpināt lietot ierīci, aizsargu vai citu daļu, kas bijusi bojāta, rūpīgi pārbaudiet, lai noteiktu, vai tā pareizi darbošos un izpildīs savas funkcijas. Pārbaudiet, vai kustīgās daļas ir pareizi salāgotas, vai tās var brīvi kustēties, vai daļas nav salūzušas; pārbaudiet to stiprinājumus un citus apstākļus, kas var ietekmēt putekļsūcēja darbību. Bojātais aizsargs vai citas daļas jāmaina vai to remonts pareizi jāveic pilnvarotā apkopes centrā, ja vien šajā lietošanas rokasgrāmatā nav norādīts citādi. Bojātus slēdžus nomainiet pilnvarotā apkopes centrā. Neizmantojiet putekļsūcēju, ja ar slēdzi to nevar ieslēgt un izslēgt.
17. **REZERVES DAĻAS.** Veicot apkopi, izmantojiet tikai oriģinālās rezerves daļas.
18. **NEIZMANTOTA PUTEKĻSŪCĒJA UZGLABĀŠANA.** Ja putekļsūcēju neizmantojat, tas jāuzglabā iekšējā kastī.
19. **Saudzējiet putekļsūcēju.** Nevīzīgi izturieties, var sabojāt pat vizuāli drošāku putekļsūcēju.
20. **Netīriet ierīces ārpusi un iekšpusi ar benzīnu, šķīdinātāju vai citām tīrīšanas ķīmikālijām.** Tas var radīt plaisas un izbalēšanu.
21. **Neizmantojiet putekļsūcēju ierobežotā vietā,** kur izdalās viegli uzliesmojoši, eksplozīvi vai toksiski izgarojumi no eļļas krāsas, krāsas šķīdinātāja, degvielas, dažiem pretkožu līdzekļiem u. c., vai vietās, kur ir ugunsnedroši putekļi.
22. **Nelietojiet šo vai citas ierīces, ja esat narkotisko vielu vai alkohola ietekmē.**
23. **Galvenais drošības noteikums ir aizsargbrīļi vai aizsargbrīļi ar sānu aizsargiem lietošana.**
24. **Putekļainos apstākļos izmantojiet putekļu masku.**
25. **Šo mašīnu nav paredzēts izmantot personām (tostarp bērniem) ar samazinātām fiziskām, maņu vai garīgām spējām vai personām bez pieredzes un zināšanām.**
26. **Neatstājiet mazus bērnus bez uzraudzības, lai nepieļautu, ka viņi spēlējas ar putekļsūcēju.**
27. **Neņemiet akumulatoru(-us) vai putekļsūcēju ar mitrām rokām.**
28. **Esiet īpaši uzmanīgs, kad veicat tīrīšanu, stāvot uz kāpnēm.**
29. **Neizmantojiet putekļsūcēju kā pakāpienu vai darbagaldu. Mašīna var nokrist un radīt traumas.**

#### Bezvada darbarīka lietošana un apkope

1. **Uzlādei izmantojiet tikai ražotāja norādītos lādētājus.** Vienam akumulatoru tipam paredzēta uzlādētāja izmantošana cita tipa akumulatoru uzlādei var radīt aizdegšanās bīstamību.
2. **Izmantojiet mehānizētos darbarīkus tikai ar paredzētajiem akumulatoriem.** Jebkura cita tipa akumulatoru izmantošana var radīt traumu un aizdegšanās bīstamību.
3. **Kamēr akumulators netiek izmantots, neturiet to blakus metāla priekšmetiem, piemēram, saspraudēm, monētām, atslēgām, naglām, skrūvēm un citiem nelieliem metāla priekšmetiem, kas var savienot izvadus.** Akumulatora spaiļu īssavienojums var izraisīt apdegumus vai aizdegšanos.
4. **Nepareizas lietošanas gadījumā no akumulatora var iztect šķidrums, nepieskarieties tam.** Ja nejauši pieskārties šķidrumam, noskalojiet skarto vietu ar ūdeni. Ja šķidrums nokļūst acīs, papildus iepriekš minētajam, vērsieties pie ārsta. No akumulatora iztecat šķidrums var izraisīt kairinājumu vai apdegumus.

5. **Ja akumulatora bloks vai darbarīks ir bojāts vai pārveidots, nelietojiet to.** Bojāti vai pārveidoti akumulatori var darboties nepareizi, izraisot aizdegšanos, sprādzienu vai traumu.
6. **Akumulatora bloku un darbarīku nepakļaujiet uguns un pārmērīgi augstas temperatūras ietekmei.** Ja akumulatora bloks vai darbarīks tiek pakļauts uguns vai par 130 °C augstākas temperatūras iedarbībai, var notikt sprādziens.
7. **Izpildiet visus uzlādes norādījumus un neuzlādējiet akumulatora bloku ārpus norādītajiem noteiktā temperatūras diapazona.** Nepareiza uzlāde vai temperatūra, kas ir ārpus noteiktā diapazona, var sabojāt akumulatoru un palielināt aizdegšanās draudus.

## SAGLABĀJIET ŠOS NORĀDĪJUMUS.

**▲BRĪDINĀJUMS: NEPIEĻAUJIET to,** ka labu iemaņu vai izstrādājuma labas pārziņāšanas (darbarīku atkārtoti ekspluatējot) rezultātā vairs stingri neievērojāt šī izstrādājuma drošības noteikumus. **NEPAREIZI LIETOJOT** darbarīku vai neievērojot šajā instrukcijā rokasgrāmatā minētos drošības noteikumus, var tikt gūtas smagas traumas.

### Svarīgi drošības norādījumi par akumulatora kasetni

1. **Pirms akumulatora lietošanas izlasiet visus norādījumus un brīdinājumus, kuri attiecas uz (1) akumulatora lādētāju, (2) akumulatoru un (3) ierīci, kurā tiek izmantots akumulators.**
2. **Neizjauciet akumulatoru.**
3. **Ja akumulatora darbības laiks kļuva ievērojami īsāks, nekavējoties pārtrauciet to izmantot.** Citādi, tas var izraisīt pārkarsējumu, uzliesmojumu vai pat sprādzienu.
4. **Ja elektrolīts nonāk acīs, izskalojiet tās ar tīru ūdeni un nekavējoties griežieties pie ārsta.** Tas var izraisīt redzes zaudēšanu.
5. **Neradiet īssavienojumu akumulatora kasetnē:**
  - (1) **Nepieskarieties spaiļēm ar elektrību vadošiem materiāliem.**
  - (2) **Neuzglabājiet akumulatoru kasetni kopā ar citiem metāla priekšmetiem, tādiem kā naglas, monētas u. c.**
  - (3) **Nepakļaujiet akumulatora kasetni ūdens vai lietus iedarbībai.****Akumulatora īssavienojums var radīt spēcīgu strāvas plūsmu, pārkaršanu, uzliesmojumu un pat sabojāt akumulatoru.**
6. **Neglabājiet darbarīku un akumulatora kasetni vietās, kur temperatūra var sasniegt vai pārsniegt 50 °C (122 °F).**
7. **Nedeziniet akumulatora kasetni, pat ja tā ir stipri bojāta vai pilnībā nolietota.** Akumulatora kasetne uguni var eksplodēt.
8. **Uzmanieties, lai neļautu akumulatoram nokrist un nepakļautu to siltienam.**
9. **Neizmantojiet bojātu akumulatoru.**

10. **Uz izmantotajiem litija jonu akumulatoriem attiecas likumdošanas prasības par bīstamiem izstrādājumiem.**  
Komerציālā transportēšanā, ko veic, piemēram, trešās puses, transporta uzņēmumi, jāievēro uz iesaiņojuma un marķējuma norādītās īpašās prasības. Lai izstrādājumu sagatavotu nosūtīšanai, jāsaazinās ar bīstamo materiālu speciālistu. Ievērojiet arī citus attiecināmos valsts normatīvus.  
Valējus kontaktus nosedziet ar līmlenti vai citādi pārklājiet, bet akumulatoru iesaiņojiet tā, lai sānīt tas nevarētu izkustēties.
11. **Ievērojiet vietējos noteikumus par akumulatora likvidēšanu.**
12. **Izmantojiet šos akumulatorus tikai ar izstrādājumiem, kurus norādījis Makita.** Ievietojot šos akumulatorus nesaderīgos izstrādājumos, var rasties ugunsgrēks, pārmērīgs karstums, tie var uzsprāgt vai no tiem var izteciēt elektrolītu.

## SAGLABĀJIET ŠOS NORĀDĪJUMUS.

**⚠UZMANĪBU:** Lietojiet tikai oriģinālos Makita akumulatorus. Ja lietojat neoriģinālus Makita akumulatorus vai pārveidotus akumulatorus, tie var uzsprāgt un izraisīt aizdegšanos, traumas un materiālos zaudējumus. Tiks anulēta arī Makita darbarīka un lādētāja garantija.

## Ieteikumi akumulatora kalpošanas laika pagarināšanai

1. **Uzlādējiet akumulatora kasetni, pirms tā ir pilnībā izlādējusies.** Vienmēr, kad ievērojat, ka darbarīka darba jauda zudusi, apturiet darbarīku un uzlādējiet akumulatora kasetni.
2. **Nekad neuzlādējiet pilnībā uzlādētu akumulatora kasetni.** Pārmērīga uzlāde saīsina akumulatora kalpošanas laiku.
3. **Uzlādējiet akumulatora kasetni istabas temperatūrā 10 °C - 40 °C.** Karstai akumulatora kasetnei pirms uzlādes ļaujiet atdzist.
4. **Uzlādējiet litija jonu akumulatora kasetni, ja to ilgstoši nelietosīt (vairāk nekā sešus mēnešus).**

## Svarīgi drošības norādījumi par bezvadu ierīci

1. **Putekļu sūcēju nedrīkst ne pārveidot, ne izjaukt.** Putekļu sūcēja bezvadu ierīci nav iespējams noņemt.
2. **Bezvadu sistēmas aktivizēšanas funkciju nelietojiet medicīnas ierīču, sirdsdarbības stimulatoru vai automātisko ierīču, piemēram, automātisko durvju un ugunsdzēsības signalizācijas, tuvumā.**
3. **Putekļu sūcēju nelietojiet vietās, kur temperatūra pārsniedz 50 °C (122 °F).**
4. **Bezvadu ierīce ir precīzs instruments.** Uzmanieties, lai putekļu sūcējs nenokristu un nekur neatsistos.
5. **Neatstājiet putekļu sūcēju vietā, kur var veidoties statiskā elektrība vai elektroierīču radīti traucējumi.**

## FUNKCIJU APRAKSTS

**⚠UZMANĪBU:** Pirms darbarīka regulēšanas vai tā darbības pārbaudes vienmēr pārliecinieties, ka darbarīks ir izslēgts un akumulatora kasetne ir izņemta.

## Akumulatora kasetnes uzstādīšana un izņemšana

**⚠UZMANĪBU:** Vienmēr pirms akumulatora kasetnes uzstādīšanas vai noņemšanas izslēdziet darbarīku.

**⚠UZMANĪBU:** Uzstādot vai izņemot akumulatora kasetni, darbarīku un akumulatora kasetni turiet cieši. Ja darbarīku un akumulatora kasetni netur cieši, tie var izkrist no rokām un radīt bojājumus darbarīkam un akumulatora kasetnei, kā arī izraisīt ievainojumus.

**⚠UZMANĪBU:** Atverot vai aizverot akumulatora pārsegu, uzmanieties, lai neiespiestu pirkstus. Neievērojot šo norādījumu, ir iespējami savainojumi.

Lai uzstādītu akumulatora kasetni, atbrīvojiet fiksatoru un atveriet akumulatora pārsegu. Pēc tam ievietojiet akumulatora kasetni.

► **Att.1:** 1. Fiksators 2. Akumulatora pārsegs

Savietojiet akumulatora kasetnes mēlīti ar rievu korpusā un iebīdiet to vietā. Ievietojiet to līdz galam, līdz tā ar klikšķi noklikšķinās. Noklikšķiniet akumulatora pārsegu.

► **Att.2:** 1. Akumulatora kasetne

Lai izņemtu akumulatora kasetni, izvelciet to no darbarīka, pārbīdot kasetnes priekšpusē esošo pogu.

**⚠UZMANĪBU:** Vienmēr ievietojiet akumulatora kasetni tā, lai sarkanais indikators nebūtu redzams. Pretēja gadījumā tā var nejauši izkrist no darbarīka un izraisīt jums vai apkārtējiem traumas.

**⚠UZMANĪBU:** Neievietojiet akumulatora kasetni ar spēku. Ja kasetne neslīd ietvarā viegli, tā nav pareizi ielikta.

**PIEZĪME:** Putekļsūcējs nedarbojas ar vienu akumulatora kasetni.

## Atlikušās akumulatora jaudas indikators

*Tikai akumulatora kasetnēm ar indikatoru*

► **Att.3:** 1. Indikatora lampas 2. Pārbaudes poga

Nospiediet akumulatora kasetnes pārbaudes pogu, lai pārbaudītu akumulatora atlikušo uzlādes līmeni. Indikatori iedegsies uz dažām sekundēm.

Indikatora lampas			Atlikusi jauda
lededzis	izslēgts	Mirgo	
■	□	◐	No 75% līdz 100%
■	■	◐	No 50% līdz 75%
■	■	□	No 25% līdz 50%
■	□	□	No 0% līdz 25%
◐	□	□	Uzliedziet akumulatoru.
■	■	□	Iespējama akumulatora kļūme.
□	□	■	

**PIEZĪME:** Reālā jauda var nedaudz atšķirties no norādītās atkarībā no lietošanas apstākļiem un apkārtējās temperatūras.

## Atlikušās akumulatora jaudas indikators

► **Att.4:** 1. Akumulatora indikators 2. Pārbaudes poga 3. Gaidstāves slēdzis

► **Att.5**

Nospiediet pārbaudes pogu, lai pārbaudītu akumulatora atlikušo jaudu. Akumulatora indikatori atbilst katram akumulatoram.

Akumulatora indikatora stāvoklis			Atlikusi akumulatora jauda
ieslēgts	izslēgts	Mirgo	
■	□	◐	No 50% līdz 100%
■	■	◐	No 20% līdz 50%
■	□	◐	No 0% līdz 20%
■	□	◐	Akumulatora uzlāde

**PIEZĪME:** Ja putekļu sūcējs ir ieslēgts ar gaidstāves slēdzi, kas iestatīts uz „AUTO”, akumulatora indikators nedarbojas.

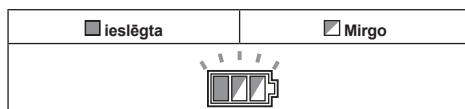
## Darbarīka/akumulatora aizsardzības sistēma

Darbarīkam ir darbarīka/akumulatora aizsardzības sistēma. Šī sistēma automātiski izslēdz strāvas padevi motoram, lai pagarinātu darbarīka un akumulatora darbību. Lietošanas laikā darbarīks automātiski pārstās darboties, ja darbarīku vai akumulatoru pakļaus kādam no šādiem apstākļiem.

### Aizsardzība pret pārslodzi

Ja darbarīku ekspluatācijas laikā lieto tādā veidā, ka tas saista pārmērīgu strāvu, darbarīks automātiski pārstāj darboties bez jebkādam norādēm. Šādā gadījumā izslēdziet darbarīku un pārtrauciet darbību, kas izraisa darbarīka pārslodzi. Tad ieslēdziet darbarīku, lai atsāktu darbu.

### Aizsardzība pret pārkaršanu



Kad darbarīks ir pārkaris, tas automātiski pārstāj darboties, un apmēram 60 sekundes mirgo akumulatora indikators. Šādā gadījumā ļaujiet darbarīkam atdzist, pirms atkārtotas darbarīka ieslēgšanas.

### Aizsardzība pret akumulatora pārmērīgu izlādi

Kad akumulatora jauda ir zema, darbarīks automātiski pārstāj darboties. Ja darbarīks nedarbojas, pat ieslēdzot slēdzi, no darbarīka izņemiet akumulatoru un veiciet akumulatoram uzlādi.

## Slēdža darbība

► **Att.6:** 1. Gaidstāves slēdzis 2. Ieslēgšanas/izslēgšanas poga 3. Sūkšanas jaudas regulēšanas poga

Putekšsūcēja iedarbināšana:

1. Pārslēdziet gaidstāves slēdzi pozīcijā "I". Putekšsūcējs pārslēdzas gaidstāves režīmā.
2. Nospiediet ieslēgšanas/izslēgšanas pogu. Lai pārslēgtu putekšsūcēju gaidstāves režīmā, vēlreiz nospiediet ieslēgšanas/izslēgšanas pogu. Lai izslēgtu putekšsūcēju, pārslēdziet gaidstāves slēdzi pozīcijā "O".

Sūkšanas jaudu var noregulēt atbilstoši jūsu darba vajadzībām.

Sūkšanas jaudu var palielināt, pagriežot sūkšanas jaudas regulēšanas pogu no simbola uz simbolu .

**IEVĒRĪBAI:** Ja putekšsūcējs ilgāku laiku netiek izmantots, vienmēr pārslēdziet gaidstāves slēdzi pozīcijā "O". Gaidstāves režīma laikā putekšsūcējs patērē enerģiju.

## Riteņa bloķēšana un atbloķēšana

- **Att.7:** 1. Ritenis 2. Aiztura svira 3. BRĪVA pozīcija  
4. BLOĶĒTA pozīcija

Riteņa bloķēšana ir noderīga, novietojot putekļsūcēju glabāšanai, ja uz laiku pārtraucat darbu un ierīcei jābūt nekustīgai.

Pārvietojiet aizturu ar roku.

Lai nobloķētu riteni ar aizturu, nolaidiet aiztura sviru, un ritenis vairs negriezīsies. Lai atbloķētu riteni no bloķētā stāvokļa, paceliet aiztura sviru.

**PIEZĪME:** Pirms putekļsūcēja pārvietošanas pārbaidiet, vai ritenis ir atbloķēts. Ja putekļsūcēju pārvieto ar nobloķētu riteni, tas var sabojāt riteni.

## Rokturis pārnēsāšanai

Pārvietojot putekļsūcēju, nesiet to, satverot rokturi ierīces augšdaļā. Kad rokturi neizmanto, to var ievietot ierīces augšdaļā.

- **Att.8**

## BEZVADU SISTĒMAS AKTIVIZĒŠANAS FUNKCIJA

### Iespējas, ko sniedz bezvadu sistēmas aktivizēšanas funkcija

Bezvadu sistēmas aktivizēšanas funkcija nodrošina tīru un ērtu darbību. Pieslēdzot putekļu sūcējam atbilstošu darbarīku, putekļu sūcēju iespējams darbināt automātiski, pārslēdzot darbarīku.

- **Att.9**

**IEVĒRĪBAI:** Lietojot putekļu sūcēju ar bezvadu sistēmas aktivizēšanas funkciju, noteikti skatiet darbarīka lietošanas rokasgrāmatu.

**IEVĒRĪBAI:** Bezvadu ierīci nedrīkst ne pārveidot, ne izjaukt.

**IEVĒRĪBAI:** Lietojot vai glabājot darbarīku, vienmēr aizveriet darbarīka bezvadu ierīces vāku.

**IEVĒRĪBAI:** Kamēr darbarīks ir pieslēgts strāvai, neatvienojiet bezvadu ierīci no darbarīka. Ja atvienojat, var rasties traucējumi bezvadu ierīces darbībā.

**IEVĒRĪBAI:** Bezvadu sistēmas aktivizēšanas pogu nespiediet pārāk stipri un/vai nespiediet pogu ar priekšmetu, kam ir asas malas.

**PIEZĪME:** Lai aktivizētu bezvadu sistēmu, „Makita” darbarīkos ir jābūt uzstādītai bezvadu ierīcei.

**PIEZĪME:** Pirms bezvadu sistēmas pirmās aktivizēšanas katram darbarīkam ir jāveic darbarīka reģistrācija. Ja reģistrācija ir pabeigta, atkārtota reģistrācija nav jāveic, izņemot gadījumus, kad tā ir atcelta.

**PIEZĪME:** Pirms reģistrācijas pārliecinieties, ka bezvadu ierīce darbarīkā ir ievietota pareizi.

**PIEZĪME:** Viens putekļu sūcējs var reģistrēt ne vairāk kā 10 darbarīkus. Ja putekļu sūcējam reģistrēti vairāk nekā 10 darbarīki, automātiski tiks atcelts visnenāk reģistrētais darbarīks.

**PIEZĪME:** Bezvadu sistēmas aktivizēšanas pogas novietojums katram darbarīkam var būt atšķirīgs.

**PIEZĪME:** Ja gaidstāves slēdzis ir iestatīts uz „AUTO”, putekļu sūcējs sāk darboties, arī nospiežot pogu.

Tomēr ieslēgšanas/izslēgšanas poga nedarbosies, ja tiek izmantota bezvadu sistēmas aktivizēšanas funkcija.

## Darbarīka reģistrācija putekļu sūcējam

**PIEZĪME:** Lai reģistrētu darbarīku, nepieciešams „Makita” darbarīks, kas atbalsta bezvadu sistēmas aktivizēšanas funkciju.

**PIEZĪME:** Vispirms darbarīkam uzstādiat bezvadu ierīci, pēc tam sāciet darbarīka reģistrāciju.

**PIEZĪME:** Veicot darbarīka reģistrāciju, nospiediet darbarīka slēdža mēlīti un nospiediet ieslēgšanas/izslēgšanas slēdzi uz putekļu sūcēja.

**PIEZĪME:** Skatiet arī darbarīka lietošanas rokasgrāmatu.

Ja putekļu sūcēju vēlaties aktivizēt reizē ar darbarīka pārslēgšanu, vispirms pabeidziet darbarīka reģistrāciju.

1. Putekļu sūcējā un darbarīkā ielieciet akumulatorus.
2. Gaidstāves slēdzi uz putekļu sūcēja pārslēdziet pozīcijā „AUTO”.  
► **Att.10:** 1. Gaidstāves slēdzis
3. Nospiediet bezvadu sistēmas aktivizēšanas pogu uz putekļu sūcēja un turiet 3 sekundes, līdz bezvadu sistēmas aktivizēšanas lampiņa mirgo zaļā krāsā. Pēc tam tādā pašā veidā nospiediet bezvadu sistēmas aktivizēšanas pogu uz darbarīka.  
► **Att.11:** 1. Bezvadu sistēmas aktivizēšanas poga  
2. Bezvadu sistēmas aktivizēšanas lampiņa

Ja putekļu sūcējs un darbarīks savienoti veiksmīgi, bezvadu sistēmas aktivizēšanas lampiņas 2 sekundes degs zaļā krāsā un tad sāks mirgot zilā krāsā.



**PIEZĪME:** Bezvadu sistēmas aktivizēšanas lampiņas zaļā krāsā beidz mirgot pēc 20 sekundēm. Kamēr uz putekļu sūcēja mirgo bezvadu sistēmas aktivizēšanas lampiņa, nospiediet bezvadu sistēmas aktivizēšanas pogu uz darbarīka. Ja bezvadu sistēmas aktivizēšanas lampiņa nemirgo zaļā krāsā, uz mirkli piespiediet un atkal paturiet nospiestu bezvadu sistēmas aktivizēšanas pogu.

**PIEZĪME:** Ja vienam putekļu sūcējam reģistrējat divus vai vairākus darbarīkus, tad darbarīku reģistrāciju pabeidziet secīgi.

## Bezvadu sistēmas aktivizēšanas funkcijas startēšana

**PIEZĪME:** Pabeidziet darbarīka reģistrāciju putekļu sūcējam, lai aktivizētu bezvadu sistēmu.

**PIEZĪME:** Vienmēr novietojiet putekļu sūcēju tā, lai varētu redzēt bezvadu sistēmas aktivizēšanas lampiņas statusu.

**PIEZĪME:** Skatiet arī darbarīka lietošanas rokasgrāmatu.

Pēc darbarīka reģistrācijas putekļu sūcējam putekļu sūcējs automātiski darbosies kopā ar darbarīka pārslēgšanu.

1. Uzstādiet bezvadu ierīci darbarīkam.
2. Darbarīkam pievienojiet putekļu sūcēja šļūteni.  
▶ **Att.12**
3. Gaidstāves slēdzi uz putekļu sūcēja pārslēdziet pozīcijā „AUTO”.  
▶ **Att.13:** 1. Gaidstāves slēdzis
4. Uz mirkli piespiediet bezvadu sistēmas aktivizēšanas pogu uz darbarīka. Bezvadu sistēmas aktivizēšanas lampiņa iemirgosies zilā krāsā.  
▶ **Att.14:** 1. Bezvadu sistēmas aktivizēšanas pogu  
2. Bezvadu sistēmas aktivizēšanas lampiņa
5. Nospiediet darbarīka slēdža mēlīti. Pārbaudiet, vai putekļu sūcējs darbojas, kamēr darbarīka slēdža mēlīte ir nospiesta.

Lai apturētu bezvadu sistēmas aktivizāciju, nospiediet bezvadu sistēmas aktivizācijas pogu uz darbarīka vai iestatiet putekļu sūcēja gaidstāves slēdzi pozīcijā „I” vai „O”.

**PIEZĪME:** Bezvadu sistēmas aktivizēšanas lampiņa uz darbarīka beigs mirgot zilā krāsā, kad darbarīks netiek darbināts 2 stundas. Šajā gadījumā gaidstāves slēdzi uz putekļu sūcēja pārslēdziet pozīcijā „AUTO” un atkal nospiediet bezvadu sistēmas aktivizēšanas pogu uz darbarīka.

**PIEZĪME:** Putekļu sūcējs ieslēdzas/izslēdzas ar aizkavi. Kad putekļu sūcējs konstatē darbarīka pārslēgšanu, rodas laika nobīde.

**PIEZĪME:** Atrašanās vietas un apkārtējo apstākļu dēļ var atšķirties bezvadu ierīces signāla uztveršanas attālumus.

**PIEZĪME:** Kad vienam putekļu sūcējam reģistrēti divi darbarīki vai vairāk, putekļu sūcējs var sākt darboties pat tad, ja slēdža mēlīte nav nospiesta, jo bezvadu sistēmas aktivizēšanas funkciju izmanto cits lietotājs.

## Darbarīka reģistrācijas atcelšana putekļu sūcējam

Atceļot darbarīka reģistrāciju putekļu sūcējam, jārikojas tālāk norādītajā veidā.

1. Putekļu sūcējā un darbarīkā ielieciet akumulatorus.
2. Gaidstāves slēdzi uz putekļu sūcēja pārslēdziet pozīcijā „AUTO”.  
▶ **Att.15:** 1. Gaidstāves slēdzis
3. Nospiediet un 6 sekundes turiet bezvadu sistēmas aktivizēšanas pogu uz putekļu sūcēja. Bezvadu sistēmas aktivizēšanas lampiņa nomirgo zaļā krāsā un tad kļūst sarkana. Pēc tam tādā pašā veidā nospiediet bezvadu sistēmas aktivizēšanas pogu uz darbarīka.  
▶ **Att.16:** 1. Bezvadu sistēmas aktivizēšanas pogu  
2. Bezvadu sistēmas aktivizēšanas lampiņa

Ja atcelšana notikusi veiksmīgi, bezvadu sistēmas aktivizēšanas lampiņas 2 sekundes degs sarkanā krāsā un sāks mirgot zilā krāsā.

**PIEZĪME:** Bezvadu sistēmas aktivizēšanas lampiņas sarkanā krāsā beidz mirgot pēc 20 sekundēm. Kamēr uz putekļu sūcēja mirgo bezvadu sistēmas aktivizēšanas lampiņa, nospiediet bezvadu sistēmas aktivizēšanas pogu uz darbarīka. Ja bezvadu sistēmas aktivizēšanas lampiņa nemirgo sarkanā krāsā, uz mirkli piespiediet un atkal paturiet nospiestu bezvadu sistēmas aktivizēšanas pogu.

## Visu reģistrēto darbarīku dzēšana

Visu putekļu sūcējam reģistrētos darbarīkus varat dzēst, izpildot norādītās darbības.

- ▶ **Att.17:** 1. Gaidstāves slēdzis 2. Bezvadu sistēmas aktivizēšanas pogu 3. Bezvadu sistēmas aktivizēšanas lampiņa
1. Ielieciet akumulatorus putekļu sūcējā.
2. Gaidstāves slēdzi pārslēdziet pozīcijā „AUTO”.
3. Apmēram 6 sekundes turiet nospiestu bezvadu sistēmas aktivizēšanas pogu, līdz bezvadu sistēmas aktivizēšanas lampiņa mirgo sarkanā krāsā (apmēram divas reizes sekundē).
4. Kad bezvadu sistēmas aktivizēšanas lampiņa sāk mirgot sarkanā krāsā, noņemiet pirkstu no bezvadu sistēmas aktivizēšanas pogas. Pēc tam vēlreiz apmēram 6 sekundes turiet nospiestu bezvadu sistēmas aktivizēšanas pogu.
5. Kad bezvadu sistēmas aktivizēšanas lampiņa sāk ātri mirgot sarkanā krāsā (apmēram piecas reizes sekundē), noņemiet pirkstu no bezvadu sistēmas aktivizēšanas pogas. Kad bezvadu sistēmas aktivizēšanas lampiņa iedegas sarkanā krāsā un pēc tam nodziest, visi reģistrētie darbarīki ir dzēsti.

**PIEZĪME:** Ja bezvadu sistēmas aktivizēšanas lampiņa nemirgo sarkanā krāsā, uz mirkli piespiediet bezvadu sistēmas aktivizēšanas pogu un mēģiniet vēlreiz.

## Bezvadu sistēmas aktivizēšanas lampiņas statusa apraksts

- **Att.18:** 1. Bezvadu sistēmas aktivizēšanas poga  
2. Bezvadu sistēmas aktivizēšanas lampiņa

Bezvadu sistēmas aktivizēšanas lampiņa rāda bezvadu sistēmas aktivizēšanas funkcijas statusu. Lampiņas statusa nozīme norādīta tabulā.

Statuss	Bezvadu sistēmas aktivizēšanas lampiņa			Apraksts
	Krāsa	<input type="checkbox"/> Deg	<input type="checkbox"/> Mirgo	
Gaidstāve	Zila	<input type="checkbox"/>	Putekļu sūcējs: turpina Darbarīks: 2 stundas	Gaida, līdz būs reģistrēts darbarīks vai būs pieejama bezvadu sistēmas aktivizēšanas funkcija. Putekļu sūcēja lampiņa mirgo, ja gaidstāves slēdzis ir iestatīts pozīcijā „AUTO”. Lampiņa uz darbarīka mirgo, ja ir nospiesta bezvadu sistēmas aktivizēšanas poga. Kad darbarīks nav darbināts 2 stundas, lampiņa uz darbarīka izslēgsies automātiski.
		<input type="checkbox"/>	Kad darbarīks darbojas.	Putekļu sūcēja bezvadu sistēmas aktivizēšana ir iespējama, darbarīks darbojas.
Darbarīka reģistrācija	Zaļa	<input type="checkbox"/>	20 sekundes	Sistēma ir gatava darbarīka reģistrācijai. Meklē reģistrējamo darbarīku.
		<input type="checkbox"/>	2 sekundes	Darbarīka reģistrācija ir pabeigta. Bezvadu sistēmas aktivizēšanas lampiņa sāks mirgot zilā krāsā.
Darbarīka reģistrācijas atcelšana/dzēšana	Sarkana	<input type="checkbox"/> (lēni: 2 reizes/sek.)	20 sekundes	Sistēma ir gatava darbarīka reģistrācijas atcelšanai. Meklē atceļamo darbarīku.
		<input type="checkbox"/> (ātri: 5 reizes/sek.)	Ja ir nospiesta bezvadu sistēmas aktivizēšanas poga.	Sistēma ir gatava visu reģistrēto darbarīku dzēšanai.
		<input type="checkbox"/>	2 sekundes	Reģistrētais darbarīks ir atcelts/dzēsts. Bezvadu sistēmas aktivizēšanas lampiņa sāks mirgot zilā krāsā.
Cits	Sarkana	<input type="checkbox"/>	3 sekundes	Bezvadu ierīce saņem strāvu, sāk darboties bezvadu sistēmas aktivizēšanas funkcija.
	Nedeg	-	-	Gaidstāves slēdzis nav ieslēgts pozīcijā „AUTO”.

## Bezvadu sistēmas aktivizēšanas funkcijas traucējummeklēšana

Pirms nodošanas remontā vispirms veiciet pārbaudi pats. Ja konstatējat kļūmi, kas nav aprakstīta rokasgrāmatā, nemēģiniet darbarīku izjaukt. Dodieties uz Makita pilnvarotu apkopes centru un remontam vienmēr izmantojiet tikai Makita rezerves daļas.

Neatbilstošas darbības stāvoklis	Iespējamais iemesls (kļūme)	Risinājums
Bezvadu sistēmas aktivizēšanas lampiņa neiedegas/nemirgo.	Bezvadu ierīce darbarīkam nav uzstādīta. Bezvadu ierīce darbarīkam ir uzstādīta nepareizi.	Uzstādiet bezvadu ierīci darbarīkam pareizi.
	Bezvadu ierīces izvads un/vai atvere ir netīri.	Uzmanīgi noslaukiet putekļus un netīrumus no bezvadu ierīces izvada un iztīriet darbarīka atveri.
	Bezvadu sistēmas aktivizēšanas poga uz darbarīka nav nospiesta.	Uz mirkli piespiediet bezvadu sistēmas aktivizēšanas pogu uz darbarīka.
	Gaidstāves slēdzis uz putekļu sūcēja nav ieslēgts pozīcijā „AUTO”.	Gaidstāves slēdzi uz putekļu sūcēja pārslēdziet pozīcijā „AUTO”.
	Nav strāvas padeves	Pieslēdziet strāvas padevi darbarīkam un putekļu sūcējam.
Neizdodas veiksmīgi pabeigt darbarīka reģistrāciju / darbarīka reģistrācijas atcelšanu.	Bezvadu ierīce darbarīkam nav uzstādīta. Bezvadu ierīce darbarīkam ir uzstādīta nepareizi.	Uzstādiet bezvadu ierīci darbarīkam pareizi.
	Bezvadu ierīces izvads un/vai atvere ir netīri.	Uzmanīgi noslaukiet putekļus un netīrumus no bezvadu ierīces izvada un iztīriet darbarīka atveri.
	Gaidstāves slēdzis uz putekļu sūcēja nav ieslēgts pozīcijā „AUTO”.	Gaidstāves slēdzi uz putekļu sūcēja pārslēdziet pozīcijā „AUTO”.
	Nav strāvas padeves	Pieslēdziet strāvas padevi darbarīkam un putekļu sūcējam.
	Nepareiza darbība	Uz mirkli piespiediet bezvadu sistēmas aktivizēšanas pogu un atkal veiciet darbarīka reģistrācijas/atcelšanas procedūru.
	Darbarīks un putekļu sūcējs ir tālu viens no otra (ārpus signāla uztveršanas zonas).	Darbarīku un putekļu sūcēju novietojiet tuvāk vienu otram. Maksimālais signāla uztveršanas attālums ir apmēram 10 m, taču apstākļu ietekmē tas var atšķirties.
	Pirms darbarīka reģistrācijas/atcelšanas pabeigšanas - slēdža mēlīte uz darbarīka ir nospiesta vai - ieslēgšanas poga uz putekļu sūcēja ir ieslēgta.	Uz mirkli piespiediet bezvadu sistēmas aktivizēšanas pogu un atkal veiciet darbarīka reģistrācijas/atcelšanas procedūru.
	Darbarīka reģistrācijas procedūra darbarīkam vai putekļu sūcējam nav pabeigta.	Vienlaikus veiciet darbarīka reģistrācijas procedūru gan darbarīkam, gan putekļu sūcējam.
Radiotraucējumi no citām iekārtām, kas generē ļoti intensīvus radioviļņus.	Darbarīku un putekļu sūcēju neturiet tādu iekārtu tuvumā kā bezvadu tehnoloģiju (Wi-Fi) ierīces un mikroviļņu krāsnis.	

Neatbilstošas darbības stāvoklis	Iespējamais iemesls (kļūme)	Risinājums
Putekļu sūcējs nedarbojas kopā ar darbarīka pārslēgšanu.	Bezvadu ierīce darbarīkam nav uzstādīta.	Uzstādiēt bezvadu ierīci darbarīkam pareizi.
	Bezvadu ierīce darbarīkam ir uzstādīta nepareizi.	Uzmanīgi noslaukiet putekļus un netīrumus no bezvadu ierīces izvada un iztīriet darbarīka atveri.
	Bezvadu sistēmas aktivizēšanas poga uz darbarīka nav nospiesta.	Uz mirkli piespiediet bezvadu sistēmas aktivizēšanas pogu un pārliecinieties, ka bezvadu sistēmas lampiņa mirgo zilā krāsā.
	Gaidstāves slēdzis uz putekļu sūcēja nav ieslēgts pozīcijā „AUTO”.	Gaidstāves slēdzi uz putekļu sūcēja pārslēdziet pozīcijā „AUTO”.
	Pie putekļu sūcēja ir pieslēgti vairāk nekā 10 darbarīki.	Atkārtoti reģistrējiet darbarīku. Ja putekļu sūcējam reģistrēti vairāk nekā 10 darbarīki, automātiski tiks atcelts visenāk reģistrētais darbarīks.
	No putekļu sūcēja ir dzēsti visu reģistrēto darbarīku iestatījumi.	Atkārtoti reģistrējiet darbarīku.
	Nav strāvas padeves	Pieslēdziet strāvas padevi darbarīkam un putekļu sūcējam.
	Darbarīks un putekļu sūcējs ir tālu viens no otra (ārpus signāla uztveršanas zonas).	Darbarīku un putekļu sūcēju novietojiet tuvāk vienu otram. Maksimālais signāla uztveršanas attālums ir apmēram 10 m, taču apstākļu ietekmē tas var atšķirties.
	Radiotraucējumi no citām iekārtām, kas ģenerē ļoti intensīvus radioviļņus.	Darbarīku un putekļu sūcēju neturiet tādu iekārtu tuvumā kā bezvadu tehnoloģiju (Wi-Fi) ierīces un mikroviļņu krāsnis.
Putekļu sūcējs darbojas, lai gan nav nospiesta darbarīka slēdža mēlīte.	Putekļu sūcēja bezvadu sistēmas aktivizēšanas funkciju saviem darbarīkiem izmanto citi lietotāji.	Izslēdziet citu darbarīku bezvadu aktivizēšanas pogu vai atceliet darbarīka reģistrāciju citiem darbarīkiem.
Nav iespējams dzēst visus putekļu sūcējam reģistrētos darbarīkus.	Piespiediet bezvadu sistēmas aktivizēšanas pogu uz darbarīka.	Piespiediet bezvadu sistēmas aktivizēšanas pogu uz putekļu sūcēja, lai dzēstu visus reģistrētos darbarīkus.
	Gaidstāves slēdzis uz putekļu sūcēja nav ieslēgts pozīcijā „AUTO”.	Gaidstāves slēdzi uz putekļu sūcēja pārslēdziet pozīcijā „AUTO”.
	Bezvadu sistēmas aktivizēšanas poga nav pareizi nospiesta un turēta.	Turiet nospiestu bezvadu sistēmas aktivizēšanas pogu vairāk nekā 6 sekundes, pēc tam, kad bezvadu sistēmas aktivizēšanas lampiņa sāk mirgot sarkanā krāsā, atlaidiet to. Vēlreiz turiet nospiestu bezvadu sistēmas aktivizēšanas pogu vairāk nekā 6 sekundes, līdz bezvadu sistēmas aktivizēšanas lampiņa ātri mirgo sarkanā krāsā, un pēc tam atlaidiet pogu.

## DETAĻU APRAKSTS

- **Att.19:** 1. Tvertnes vāks 2. Pulvera filtrs (HEPA) 3. Buferis 4. Priekšfiltrs 5. Tvertne

## MONTĀŽA

**⚠UZMANĪBU:** Pirms darbarīka regulēšanas vai apkopes vienmēr pārliecinieties, ka darbarīks ir izslēgts un akumulatora kasetne ir izņemta.

**⚠UZMANĪBU:** Ierīces salikšanas vai apkopes laikā vienmēr lietojiet putekļu masku.

## Pulvera filtra (HEPA) un priekšfiltra (sausajiem putekļiem) uzstādīšana

**⚠UZMANĪBU:** Kad izmantojat pulvera filtru, nesūciet ūdeni vai citus šķidrumus, vai mitrus putekļus. Iepriekš norādīto vielu savākšanas rezultātā pulvera filtrs var saplīst.

Pulvera filtra lietošana:

1. Ievietojiet priekšfiltru tvertnē, savietojot uzstādīšanas pozīciju marķējumus.
  2. Uzstādiēt buferi uz pulvera filtra un ievietojiet tos priekšfiltrā, savietojot uzstādīšanas pozīciju marķējumus.
  3. Noslēgumā uzstādiēt tvertnes vāku un nofiksējiet to.
- **Att.20:** 1. Tvertnes vāks 2. Pulvera filtrs (HEPA) 3. Buferis 4. Priekšfiltrs 5. Tvertne 6. Uzstādīšanas pozīcijas marķējums

**⚠IEVĒRĪBAI:** Pirms pulvera filtra izmantošanas vienmēr pārbaudiet, vai kopā tiek izmantots priekšfiltrs un buferis. Pulvera filtru nedrīkst uzstādīt vienu pašu.

## Papīra saiņa uzstādīšana

### Papildu piederumi

**▲BRĪDINĀJUMS:** Ja izmantojat papīra saiņi, lietojiet to kopā ar priekšfiltru, kas jau ir uzstādīts uz darbarīka. Ja neizmantosiet kopā ar priekšfiltru, tas var radīt neparastu troksni un karstumu, izraisot aizdegšanos.

**▲UZMANĪBU:** Pirms papīra saiņa izmantošanas vienmēr pārbaudiet, vai kopā tiek izmantots pulvera filtrs, buferis un priekšfiltrs.

1. Noņemiet gumijas turētāju.  
▶ **Att.21:** 1. Gumijas turētājs
2. Atlokiet papīra saiņi.
3. Novietojiet papīra saiņa atveri pret putekļsūcēja putekļu sūkšanas atveri.
4. Ievietojiet papīra saiņa kartona daļu uz turētāja tā, lai tas atrodas aizmugurē aiz fiksatora izvirkzījuma.  
▶ **Att.22:** 1. Papīra saiņis 2. Turētājs

## Polietilēna maisa uzstādīšana

Putekļsūcēju var izmantot arī bez polietilēna maisa. Tomēr ar polietilēna maisu ir vieglāk iztukšot tvertni, nenosmērējot rokas.

Iekļājiet polietilēna maisu tvertnē. Ievietojiet to starp turētāja plāksni un tvertni un pavelciet to uz šļūtenes ievades pusi.

▶ **Att.23:** 1. Turētāja plāksne 2. Polietilēna maiss

Izpletiet maisu ap tvertnes augšpusi tā, lai priekšfiltra mala varētu droši satvert un noturēt maisu.

▶ **Att.24:** 1. Priekšfiltrs

**PIEZĪME:** Var izmantot tirgū pieejamos polietilēna maisus. Ieteicams izmantot vismaz 0,04 mm biezu maisu.

**PIEZĪME:** Pārāk liels putekļu daudzums var viegli saplēst maisu, tādēļ nesūciet vairāk par pusi no putekļu maisa tilpuma.

## Polietilēna maisa iztukšošana

**▲BRĪDINĀJUMS:** Pirms polietilēna maisa iztukšošanas vienmēr pārliecinieties, ka putekļsūcējs ir izslēgts un akumulatora kasetne ir izņemta. Neievērojot šo norādījumu, var izraisīt elektriskās strāvas triecienu un nopietnus ievainojumus.

**▲UZMANĪBU:** Nespiediet tvertni pārāk spēcīgi. Spēcīgs trieciens var deformēt un sabojāt daļas.

**▲UZMANĪBU:** Iztukšojiet tvertni vismaz vienreiz dienā, lai gan tas ir atkarīgs no tvertnē iesūkto putekļu daudzuma. Pretējā gadījumā sūkšanas jauda samazināsies un var saplīst motors.

**▲UZMANĪBU:** Iztukšojot tvertni, nesatveriet to aiz āķa. Satverot aiz āķa, āķi var nolauzt.

Atkāpjiet un paceliet tvertnes vāku.

Nokratiet putekļus no priekšfiltra un pēc tam izņemiet no tvertnes polietilēna maisu.

▶ **Att.25**

**PIEZĪME:** Polietilēna maisu ņemiet ārā no tvertnes uzmanīgi, lai tas iztukšošanas laikā neaizķertos aiz izvirkzījumiem tvertnes iekšpusē un nesaplīstu.

**PIEZĪME:** Polietilēna maisu iztukšojiet, pirms tas ir pilns. Pārāk liels putekļu daudzums var saplēst putekļu maisu.

## Instrumentu kastes uzstādīšana

1. Atbrīvojiet akumulatora pārsega fiksatoru un atveriet akumulatora pārsegu.
2. Ievietojiet instrumentu kastes sliedes korpusa rievās.
3. Aizveriet akumulatora pārsegu un nostipriniet fiksatoru.  
▶ **Att.26**

Instrumentu kastē ir ērti glabāt akumulatorus, cauruli vai uzmavas.

▶ **Att.27**

## Šļūtenes pievienošana

**IEVĒRĪBAI:** Nekad ar spēku nelokiet un nespiediet cauruli. Nekad nepārvietojiet putekļsūcēju, velkot aiz šļūtenes. Ja šļūteni loka, spiež vai rauj, šļūteni var saplēst vai deformēt.

**IEVĒRĪBAI:** Savācot lielus atkritumus, piemēram, ēvelēšanas atgriezumus, betona putekļsūcīgus materiālus, izņemot mazos atkritumus, izmantojiet šļūteni ar 38 mm iekšējo diametru (papildpiederums). Ja izmantojat šļūteni ar 28 mm iekšējo diametru (papildpiederums), tā var nosprostoties un tikt bojāta.

Ievietojiet šļūteni tvertnes pievienošanas vietā un pagrieziet pulksteņrādītāju kustības virzienā, līdz tā nofiksējas.

▶ **Att.28**

## APKOPE

**▲UZMANĪBU:** Pirms darbarīka pārbaudes vai apkopes vienmēr pārliecinieties, ka darbarīks ir izslēgts un akumulatora kasetne ir izņemta.

**IEVĒRĪBAI:** Nekad neizmantojiet gāzoliņu, benzīnu, atšķaidītāju, spirtu vai līdzīgus šķidrumus. Tas var radīt izbalēšanu, deformāciju vai plaisas.

## Piederumu glabāšana

Caurules var ievietot caurules turētājā, ja putekļsūcējs kādu laiku netiek lietots.

► Att.29

► Att.30

Šļūteni var glabāt, aptinot ap instrumentu un savienojot galus.

► Att.31

## Pulvera filtra (HEPA) un priekšfiltra tīrīšana

Nosprostots pulvera filtrs, priekšfiltrs un buferis var samazināt sūkšanas jaudu. Regulāri tīriet filtrus un buferus.

Lai notīrītu putekļus vai daļiņas, kas pieķērušās filtriem, vairākas reizes ātri pakratiet ietvara apakšdaļu.

► Att.32

Reizēm mazgājiet pulvera filtru ūdenī, izskalojiet un pirms lietošanas rūpīgi ēnā nožāvējiet. Filtrus nekad nemazgājiet veļas mazgājamajā mašīnā.

**PIEZĪME:** Nekasiet un neskrāpējiet pulvera filtru, priekšfiltru vai buferi ar cietiem priekšmetiem, piemēram, suku vai lāpstiņu.

**PIEZĪME:** Laika gaitā filtri nolietojas. Iesakām rezervē glabāt dažus filtrus.

Lai saglabātu izstrādājuma DROŠU un UZTICAMU darbību, remontdarbus, apkopi un regulēšanu uzticiet veikt tikai Makita pilnvarotam vai rūpnīcas apkopes centram, un vienmēr izmantojiet tikai Makita rezerves daļas.

## PAPILDU PIEDERUMI

**⚠ UZMANĪBU:** Šādi piederumi un papildierīces tiek ieteiktas lietošanai ar šajā rokasgrāmatā aprakstīto Makita darbarīku. Izmantojot citus piederumus vai papildierīces, var tikt radīta trauma gūšanas bīstamība. Piederumu vai papildierīci izmantojiet tikai paredzētajam mērķim.

Ja jums vajadzīga palīdzība vai precīzāka informācija par šiem piederumiem, vērsieties savā tuvākajā Makita apkopes centrā.

- Šļūtene
- Priekšējā uzmava (22, 24, 38)
- Taisnā caurule
- Stūru uzgalis
- Apaļā suka
- Pulvera filtrs, HEPA (sausajiem putekļiem)
- Buferis
- Priekšfiltrs
- Uzgaļa mezgls
- Liektā caurule
- Polietilēna maiss
- Papīra sainis
- Turētāja komplekts
- Makita oriģinālais akumulators un lādētājs

**PIEZĪME:** Daži sarakstā norādītie izstrādājumi var būt iekļauti instrumenta komplektācijā kā standarta piederumi. Tie dažādās valstīs var būt atšķirīgi.

## ĮSPĖJIMAS

Šį prietaisą leidžiama naudoti vaikams nuo 8 metų amžiaus ir asmenims, turintiems psichinių, jutiminių ar protinių negalių, arba žmonėms, neturintiems patirties bei žinių, su sąlyga, kad jie bus prižiūrimi arba instruktuojami apie tai, kaip saugiai naudoti šį prietaisą, ir supras atitinkamus pavojus. Neleiskite vaikams žaisti su šiuo prietaisu. Be suaugusiųjų priežiūros vaikams draudžiama valyti ir techniškai prižiūrėti šį prietaisą.

## SPECIFIKACIJOS

Modelis:	DVC864L
Standartinio tipo filtras	Filtras su milteliai (sausoms dulkėms)
Srauto (oro) tūris (naudojant BL1850B, $\varnothing$ 38 mm x 2,5 m žarna)	2,1 m <sup>3</sup> /min
Siurbimas (naudojant BL1850B, $\varnothing$ 38 mm x 2,5 m žarna)	98 hPa
Surenkamas kiekis	8 l
Matmenys (I x P x A)	366 mm x 334 mm x 368 mm
Vardinė įtampa	Nuol. sr. 36 V
Standartinė akumulatoriaus kasetė	BL1815N, BL1820, BL1820B, BL1830, BL1830B, BL1840, BL1840B, BL1850, BL1850B, BL1860B
Grynasis svoris	7,7 – 8,4 kg
„Bluetooth <sup>SM</sup> “ versija	4,1 (mažai energijos vartojantis „Bluetooth“)
Dažnio juosta	2 402 – 2 480 MHz
Didžiausia radijo dažnio galia	1,0 dBm (EIRP)
Perdavimo diapazonas	Maždaug 10 m

- Atlikame tęstinius tyrimus ir nuolat tobuliname savo gaminius, todėl čia pateikiamos specifikacijos gali būti keičiamos be įspėjimo.
- Įvairiose šalyse specifikacijos ir akumulatoriaus kasetė gali skirtis.
- Svoris nurodytas be priedų, tačiau įskaičiuojant akumulatoriaus kasetę (-es). Mažiausias ir didžiausias prietaiso ir akumulatoriaus kasetės (-ių) svoris nurodyti lentelėje.

### Bluetooth<sup>SM</sup>

„Bluetooth<sup>SM</sup>“ žodinis ženklas ir logotipai yra registruotieji prekės ženklai, priklausantys „Bluetooth SIG, Inc.“, todėl tokius ženklus „Makita“ naudoja pagal licenciją. Kiti prekės ženklai ir prekiniai pavadinimai priklauso jų atitinkamiems savininkams.

### Simboliai

Toliau yra nurodyti įrangai naudojami simboliai. Prieš naudodami įsitinkinkite, ar suprantate jų reikšmę.



Perskaitykite instrukcijų vadovą.



Būkite itin atsargūs ir dėmesingi.



Įspėjimas! Valymo įrenginyje gali būti pavojingų dulkių.



Niekada nestovėkite ant valymo įrenginio.



Dulkių klasė L (mažai). Valymo įrenginiai gali surinkti L klasės kiekio dulkes. Vadovaukitės savo šalyje galiojančiomis nuostatomis dėl dulkių surinkimo ir sveikatos bei saugos darbo vietoje.



Nurodymas tik ES šalims  
Neišmeskite elektros įrangos arba akumuliatoriaus bloko į buitinius šiukšlynus! Atsižvelgiant į ES direktyvas dėl elektros ir elektroninės įrangos atliekų, dėl baterijų ir akumuliatorių bei baterijų ir akumuliatorių atliekų ir šių direktyvų siekių įgyvendinimą pagal nacionalinius įstatymus, elektros įrangos ir baterijų bei akumuliatorių atliekas būtina surinkti atskirai nuo kitų buitinių atliekų ir atiduoti į antrinių žaliavų perdirbimo aplinkai nekenksmingu būdu punktą.

## Numatytoji naudojimo paskirtis

Šis įrankis skirtas sausoms dulkelėms surinkti. Šis įrankis tinkamas komerciniam naudojimui, pavyzdžiui, viešbučiuose, mokyklose, ligoninėse, gamyklose, parduotuose, biuruose ir nuomos verslo įmonėse.

## Triukšmas

Įprastas triukšmo A lygis, nustatytas pagal EN60335: Garso slėgio lygis ( $L_{pA}$ ): 70 dB (A) arba mažiau  
Paklaida (K): 2,5 dB (A)

Dirbant triukšmo lygis gali viršyti 80 dB (A).

**ĮSPĖJIMAS:** Dėvėkite ausų apsaugą.

## Vibracija

Vibracijos bendroji vertė (triašio vektoriaus suma) nustatyta pagal EN60335 standartą:  
Vibracijos emisija ( $a_{h,M}$ ): 2,5 m/s<sup>2</sup> arba mažiau  
Paklaida (K): 1,5 m/s<sup>2</sup>

**PASTABA:** Paskelbtasis vibracijos emisijos dydis nustatytas pagal standartinį testavimo metodą ir jį galima naudoti vienam įrankiui palyginti su kitu.

**PASTABA:** Paskelbtasis vibracijos emisijos dydis taip pat gali būti naudojamas preliminariai įvertinti vibracijos poveikį.

**ĮSPĖJIMAS:** Faktiškai naudojant elektrinį įrankį, keliamos vibracijos dydis gali skirtis nuo paskelbtojo dydžio, priklausomai nuo būdų, kuriais yra naudojamas šis įrankis.

**ĮSPĖJIMAS:** Siekiami apsaugoti operatorių, būtinai įvertinkite saugos priemones, remdamiesi vibracijos poveikio įvertinimu esant faktinėms naudojimo sąlygoms (atsižvelgdami į visas darbo ciklo dalis, pavyzdžiui, ne tik kiek laiko įrankis veikia, bet ir kiek kartų jis yra išjungiamas bei kai jis veikia be apkrovų).

## EB atitikties deklaracija

### Tik Europos šalims

EB atitikties deklaracija yra pridedama kaip šio instrukcijų vadovo A priedas.

# SAUGOS ĮSPĖJIMAI

## Saugos įspėjimai dėl akumuliatorinio vakuuminio valymo įrenginio naudojimo

**ĮSPĖJIMAS: SVARBU: PRIEŠ PRADĖDAMI NAUDOTI, ATIDŽIAI PERSKAITYKITE visus saugos įspėjimus ir nurodymus.** Nesilaikydami toliau pateiktų įspėjimų ir instrukcijų, galite patirti elektros smūgį, gaisrą ir (arba) sunkų sužeidimą.

- Prieš pradėdami naudoti, įsitikinkite, ar šį valymo įrenginį naudoja tik tie žmonės, kurie yra tinkamai išmokyti, kaip naudoti šį valymo įrenginį.**
- Nenaudokite valymo įrenginio be filtro. Pažeistą filtrą nedelsdami pakeiskite nauju.**
- VENKITE NETYČINIO PALEIDIMO.** Prieš dėdami akumuliatorių (-ius), patikrinkite, ar jungiklis yra nustatytas į išjungimo padėtį „OFF“.
- Nebandykite susiurbti degių medžiagų, fejer-verkų, degančių cigarečių, karštų pelenų, įkaitusių metalo drožlių, aštrių daiktų, pavyzdžiui, skutimosi peiliukų, adatų, stiklo duženų ir pan.**
- NIEKADA NENAUDOKITE VALYMO ĮRENGINIO ŠALIA BENZINO, DUJŲ, DAŽŲ, KLIJŲ ARBA KITŲ LABAI DEGIŲ MEDŽIAGŲ.** Įjungiant arba išjungiant jungiklį, kyla kibirkščiai. Įrenginiui veikiant, kibirkščiuoja ir variklio srovės keitiklis. Gali kilti pavojingas sproginimas.
- Niekada nesiurbkite nuodingų, kancerogeninių, degių arba kitų pavojingų medžiagų, pavyzdžiui, asbesto, arseno, bario, berilio, švino, pesticidų ir kitų sveikatai pavojingų medžiagų.**
- Niekada nenaudokite valymo įrenginio lauke lietuvi lyjant.**
- Nenaudokite prie šilumos šaltinių (krosnių ir pan.).**
- Neužblokuokite aušinimo angų.** Šios ventiliacijos angos skirtos varikliui aušinti. Stenkitės jų neužblokuoti, kitaip dėl vėdinimo trūkumo perdegis variklis.
- Visuomet tvirtai stovėkite ant žemės, išlaikykite pusiausvyrą.**
- Nesulenkite, neįtempkite ir neatsistokite ant žarnos.**
- Nedelsdami išjunkite valymo įrenginį, jeigu pastebėtumėte, jog jis prastai arba neįprastai veikia.**
- IŠIMKITE AKUMULIATORIŲ (-IUS).** Kai jo nenaudojate, prieš atlikdami remonto arba techninės priežiūros darbus ir keisdami priedus.
- Norėdami, kad valymo įrenginys veiktų geriausiai, kiekvieną kartą jį panaudoję, nuvalykite ir atlikite techninę jo priežiūrą.**
- TINKAMAI PRIŽIŪRĖKITE VALYMO ĮRENGINĮ.** Valymo įrenginys visuomet turi būti švarus, kad darbas vyktų geriau ir saugiau. Laikykitės priedų keitimo nurodymų. Rankenos turi būti švarios, sausos ir neišteptos tepalu.



16. **PATIKRINKITE, AR NĖRA SUGEDUSIŲ DALIŲ.** Prieš toliau naudodami valymo įrenginį, atidžiai apžiūrėkite sugadintą apsauginį įtaisą ar kitą dalį ir nustatykite, ar ji veiks tinkamai ir atliks savo funkciją. Patikrinkite judančių dalių sulyginimą, suveržimą, ar nėra sulūžusių dalių, ar dalys tinkamai sumontuotos ir kitas sąlygas, kurios gali paveikti prietaiso veikimą. Sugadintą apsauginį įtaisą ar kitą dalį reikia tinkamai remontuoti arba pakeisti įgaliotajame techninės priežiūros centre, nebent šioje instrukcijoje nurodyta kitaip. Sugedusius jungiklius turi pakeisti įgaliotasis priežiūros centras. Nenaudokite valymo įrenginio, jeigu jo jungiklis jo neįjungia arba neišjungia.
17. **ATSARGINĖS DALYS.** Prižiūradami naudokite tik identiškas atsargines dalis.
18. **VALYMO ĮRENGINYS TURI BŪTI LAIKOMAS IŠJUNGTAS.** Nenaudojamą valymo įrenginį privaloma laikyti patalpoje.
19. Saugokite valymo įrenginį. Šiurkščiai naudojami, gali sugesti net ir tvirtiausi valymo įrenginiai.
20. Nebandykite valyti išorinių arba vidinių dalių benzinu, tirpikliu arba cheminėmis valymo medžiagomis. Jos gali įtrūkti arba išblukti.
21. Nenaudokite valymo įrenginio uždaroje patalpoje, kurioje yra degių, sprogį arba nuodingų garų, kuriuos skleidžia aliejiniai dažai, dažų skiedikliai, benzinas, kai kurios kandžių neėdamos medžiagos ir pan., arba tokiose vietose, kuriose yra degių dulkių.
22. Nenaudokite šio arba bet kokio kito įrenginio, kai esate apsvaigę nuo narkotikų arba alkoholio.
23. Pagrindinė saugos taisyklė: dėvėkite apsauginius darbo akinius arba apsauginius akinius su šoniniais skydeliais.
24. Dirbdami dulkejoje aplinkoje, dėvėkite respiratorių.
25. Šis įrenginys nėra skirtas naudoti asmenims (įskaitant vaikus), turintiems fizinį, jutimo ar dvasios negalių arba stokojantiems patirties ir žinių.
26. Prižiūrėkite mažus vaikus, kad jie nežaistų šiuo valymo įrenginiu.
27. Niekada nelieskite akumulatoriaus (-ių) ar valymo įrenginio šlapiomis rankomis.
28. Būkite itin atsargūs, valydamai laiptus.
29. Nenaudokite šio valymo įrenginio vietoj kėdės arba darbastalio. Įrenginys gali nuvirtti ir sužeisti.

## SAUGOKITE ŠIAS INSTRUKCIJAS.

**⚠️ ĮSPĖJIMAS: NELEISKITE,** kad patogumas ir gaminio pažinimas (įgyjamas pakartotinai naudojant) susilpnintų griežtą saugos taisyklių, taikytinų šiam gaminiui, laikymąsi. Dėl NETINKAMO NAUDOJIMO arba saugos taisyklių, kurios pateiktos šioje instrukcijoje, nesilaikymo galima rimtai susižeisti.

### Svarbios saugos instrukcijos, taikomos akumulatoriaus kasetei

#### Akumulatorinio įrankio naudojimas ir priežiūra

1. Įkraukite naudodami tik gamintojo nurodytą įkroviklį. Įkroviklis, kuris tinka vienam akumulatorių tipui įkrauti, gali kelti gaisro pavojų, jei bus naudojamas su kitų tipų akumulatoriais.
2. Elektrinius įrankius naudokite tik su specialiai jiems skirtais akumulatoriais. Naudojant bet kurį kitą akumulatorių gali kilti sužeidimo ir gaisro pavojus.
3. Kai akumulatorius nėra naudojamas, laikykite jį toliau nuo kitų metalinių daiktų, pavyzdžiui, popieriaus sąvaržėlių, monetų, raktų, vinių, varžtų ir kitų mažų metalinių daiktų, dėl kurių gali kilti trumpasis jungimas tarp kontaktų. Akumulatorių kontaktų trumpasis jungimas gali būti nudegimų arba gaisro priežastimi.
4. Netinkamai naudojant iš akumulatoriaus gali ištekti skysčio. Venkite sąlyčio su juo. Jei sąlytis atsitiktinai įvyko, gausiai nuplaukite vandeniu. Jei skysčio pateko į akis, kreipkitės į gydytoją. Iš akumulatoriaus išbėgęs skystis gali sudirginti arba nudeginti odą.
5. Nenaudokite sugadinto ar modifikuoto akumulatoriaus arba įrankio. Sugadinti arba modifikuoti akumulatoriai gali veikti neįprastai, todėl gali kilti gaisras, sprogimas arba sužalojimo rizika.
6. Saugokite akumulatorių arba įrankį nuo ugnies ar pernelyg aukštos temperatūros. Dėl ugnies ar 130 °C viršijančios temperatūros gali kilti sprogimas.
7. Laikykitės visų įkrovimo nurodymų ir nekraukite akumulatoriaus ar įrankio, kai temperatūra neatitinka nurodymuose pateikto temperatūros intervalo. Netinkamai įkraunant arba įkraunat esant kitam nei nustatytas temperatūros intervalui, gali būti sugadintas akumulatorius ar padidėti gaisro rizika.
1. Prieš naudodami akumulatoriaus kasetę, perskaitykite visas instrukcijas ir perspėjimus ant (1) akumulatorių įkroviklio, (2) akumulatorių ir (3) akumulatorių naudojančio gaminio.
2. Neardykite akumulatoriaus kasetės.
3. Jei įrankio darbo laikas žymiai sutrumpėjo, nedelsdami nutraukite darbą su įrankiu. Tai gali kelti perkaitimą, nudegimų ar net sprogimo pavojų.
4. Jei elektrolitas pateko į akis, plaukite jas tyru vandeniu ir nedelsdami kreipkitės į gydytoją. Gali kilti regėjimo praradimo pavojus.
5. Neužtrumpinkite akumulatoriaus kasetės:
  - (1) Nelieskite kontaktų degiomis medžiagomis.
  - (2) Venkite laikyti akumulatoriaus kasetę kartu su kitais metaliniais daiktais, pavyzdžiui, vinimis, monetomis ir pan.
  - (3) Saugokite akumulatoriaus kasetę nuo vandens ir lietaus.
6. Nelaikykite įrankio ir akumulatoriaus kasetės vietoje, kur temperatūra gali pasiekti ar viršyti 50 °C.
7. Nedeginkite akumulatoriaus kasetės, net jei yra stipriai pažeista ar visiškai susidėvėjusi. Ugnyje akumulatoriaus kasetė gali sprogti.
8. Saugokite akumulatorių nuo kritimo ir smūgių.
9. Nenaudokite pažeisto akumulatoriaus.

- Įdėtoms ličio jonų akumuliatoriams taikomi Pavojingų prekių teisės akto reikalavimai. Komercinis transportas, pvz., trečiųjų šalių, prekių vežimo atstovų, turi laikytis specialaus reikalavimo ant pakuotės ir ženklavimo. Norėdami paruošti siųstiną prekę, pasitarkite su pavojingų medžiagų specialistu. Be to, laikykites galimai išsamesnių nacionalinių reglamentų. Užklijuokite juosta arba padenkite atvirus kontaktus ir supakuokite akumuliatorių taip, kad ji pakuotėje nejudėtų.
- Vadovaukitės vietos įstatymais dėl akumuliatorių išmetimo.
- Baterijas naudokite tik su „Makita“ nurodytais gaminiais. Baterijas įdėjus į netinkamus gaminius gali kilti gaisras, gaminyje pernelyg kaisti, kilti sprogimas arba pratekėti elektrolitas.

## SAUGOKITE ŠIAS INSTRUKCIJAS.

**▲PERSPĖJIMAS:** Naudokite tik originalų „Makita“ akumuliatorių. Neoriginalaus „Makita“ arba pakeisto akumuliatoriaus naudojimas gali nulėmti gaisrą, asmens sužalojimą ir pažeidimą. Tai taip pat panaikina „Makita“ suteikiamą „Makita“ įrankio ir įkroviklio garantiją.

## Patarimai, ką daryti, kad akumuliatorius veiktų kuo ilgiau

- Pakraukite akumuliatoriaus kasetę prieš jai visiškai išsikraunant. Visuomet nustokite naudoti įrankį ir pakraukite akumuliatoriaus kasetę, kai pastebite, kad įrankio galia sumažėjo.
- Niekada nekraukite iki galo įkrautos akumuliatoriaus kasetės. Perkraunant trumpėja akumuliatoriaus eksploatacijos laikas.
- Akumuliatoriaus kasetę kraukite esant kambario temperatūrai 10 - 40 °C. Prieš pradėdami krauti, leiskite įkaitusiai akumuliatoriaus kasetei atvėsti.
- Įkraukite akumuliatoriaus kasetę, jei jos nenaudojate ilgą laiką (ilgiau nei šešis mėnesius).

## Svarbios saugumo instrukcijos dėl belaidžio bloko

- Neardykite ar nekeiskite valymo įrenginio. Valymo įrenginyje esančio belaidžio bloko išimti negalima.
- Nenaudokite belaidžio aktyvinimo funkcijos vietose, kuriose netoli yra medicinos prietaisų, širdies stimuliatorių arba automatizuotų įrenginių, pvz., automatinių durų arba gaisro signalizacijų.
- Nenaudokite valymo įrenginio vietose, kur temperatūra viršija 50 °C (122 °F).
- Belaidis blokas yra tikslusis instrumentas. Saugokite valymo įrenginį nuo kritimo ir smūgių.
- Nepalikite valymo įrenginio ten, kur gali atsirasti statinis elektros krūvis arba elektrinis triukšmas.

## VEIKIMO APRAŠYMAS

**▲PERSPĖJIMAS:** Prieš pradėdami reguliuoti arba tikrinti įrankio veikimą, visuomet būtinai išjunkite įrankį ir išimkite akumuliatoriaus kasetę.

## Akumuliatoriaus kasetės uždėjimas ir nuėmimas

**▲PERSPĖJIMAS:** Prieš įdėdami arba išimdami akumuliatoriaus kasetę, visada išjunkite įrankį.

**▲PERSPĖJIMAS:** Įdėdami arba išimdami akumuliatoriaus kasetę, tvirtai laikykite įrankį ir akumuliatoriaus kasetę. Jeigu įrankį ir akumuliatoriaus kasetę laikysite netvirtai, jie gali išslisti iš jūsų rankų, todėl įrankis ir akumuliatoriaus kasetė gali būti sugadinti, o naudotojas sužalotas.

**▲PERSPĖJIMAS:** Atidarydami arba užspausdami akumuliatoriaus skyriaus dangtelį, būkite atsargūs, kad neprispaustumėte pirštų. Kitaip galite susižeisti.

Norėdami įdėti akumuliatoriaus kasetę, pirmiausia atlaisvinkite fiksatorių ir po to atidarykite akumuliatoriaus skyriaus dangtelį. Po to įdėkite akumuliatoriaus kasetę.

► **Pav.1:** 1. Fiksatorius 2. Akumuliatoriaus skyriaus dangtelis

Sulygiuokite liežuvėlį ant akumuliatoriaus kasetės su grioveliu korpuse ir įstumkite jį į skirtą vietą. Įdėkite iki galo, kol spragtelėdama užsifiksuos. Po to užfiksuokite akumuliatoriaus skyriaus dangtelį.

► **Pav.2:** 1. Akumuliatoriaus kasetė

Jei norite išimti akumuliatoriaus kasetę, ištraukite ją iš įrankio, stumdami mygtuką, esantį kasetės priekyje.

**▲PERSPĖJIMAS:** Akumuliatoriaus kasetę visada įkiškite iki galo, kol nebematysite raudono indikatoriaus. Priešingu atveju ji gali atsitiktinai iškristi iš įrankio, sužeisti jus arba aplinkinius.

**▲PERSPĖJIMAS:** Nekiškite akumuliatoriaus kasetės jėga. Jeigu kasetė sunkiai lenda, ją kišate netinkamai.

**PASTABA:** Valymo įrenginys neveikia tik su viena akumuliatoriaus kasete.

## Likusios akumuliatoriaus galios rodymas

**Tik akumuliatoriaus kasetėms su indikatoriumi**

► **Pav.3:** 1. Indikatoriumi lemputės 2. Tikrinimo mygtukas

Paspauskite akumuliatoriaus kasetės tikrinimo mygtuką, kad būtų rodoma likusi akumuliatoriaus energija. Maždaug trims sekundėms užsidegs indikatoriumi lemputės.

Indikatorių lemputės			Likusi galia
Šviečia	Nešviečia	Blyksi	
■	□	▧	75 - 100 %
■	■	■	50 - 75 %
■	■	□	25 - 50 %
■	□	□	0 - 25 %
▧	□	□	Įkraukite akumuliatorių.
■	■	□	Galimai įvyko akumuliatoriaus veikimo triktis. ↑ ↓
□	□	■	





**PASTABA:** Rodmuo gali šiek tiek skirtis nuo faktinės energijos lygio – tai priklauso nuo naudojimo sąlygų ir aplinkos temperatūros.

## Likusios akumuliatoriaus galios rodymas

▶ **Pav.4:** 1. Akumuliatoriaus indikatorius 2. Tikrinimo mygtukas 3. Parengties jungiklis

▶ **Pav.5**

Paspauskite tikrinimo mygtuką, kad būtų rodoma likusi akumuliatoriaus energija. Akumuliatorių indikatoriai parodo atitinkamo akumuliatoriaus galią.

Akumuliatoriaus indikatorius būseną			Likusi akumuliatorių galia
Šviečia	Nešviečia	Blyksi	
■	□	▧	50–100 % 
■	■	■	20–50 % 
■	□	□	0–20 % 
▧	□	□	Įkraukite akumuliatorių 

**PASTABA:** Kai valymo įrenginys įjungtas, o parengties jungiklis nustatytas į padėtį „AUTO“, akumuliatoriaus indikatorius neveikia.

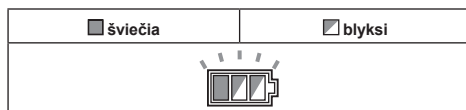
## Įrankio / akumuliatoriaus apsaugos sistema

Įrankyje įrengta įrankio / akumuliatoriaus apsaugos sistema. Ši sistema automatiškai atjungia variklio maitinimą, kad įrankis ir akumuliatorius ilgiau veiktų. Įrankis automatiškai išsijungs darbo metu esant vienai iš toliau nurodytų įrankio arba akumuliatoriaus darbo sąlygų:

### Apsauga nuo perkrovos

Kai įrankis naudojamas taip, kad neįprastai padidėja elektros srovė, įrankis automatiškai išsijungia be jokių indikatorių įspėjimų. Tokiu atveju atleiskite įrankio gaiduką ir nutraukite darbą, dėl kurio kilo įrankio perkrova. Po to vėl įjunkite įrankį.

### Apsauga nuo perkaitimo



Jeigu įrankis perkaista, automatiškai išsijungia ir maždaug 60 sekundžių žybcioja akumuliatoriaus indikatorius. Tokiu atveju palaukite, kol įrankis atvės, paskui vėl jį įjunkite.

### Apsauga nuo visiško išsikrovimo

Žymiai sumažėjus akumuliatoriaus galiai, įrankis automatiškai išsijungia. Jeigu gaminyne neveikia net ir spaudžiant jungiklius, išimkite akumuliatorių iš įrankio ir įkraukite.



## Jungiklio veikimas

▶ **Pav.6:** 1. Parengties jungiklis 2. Įjungimo mygtukas 3. Siurbimo galios reguliavimo rankenėlė

Norėdami įjungti valymo įrenginį:

1. Parengties jungiklį nustatykite į padėtį „I“. Valymo įrenginys persijungia į parengties būseną.
2. Paspauskite įjungimo mygtuką. Norėdami valymo įrenginį perjungti į parengties režimą, dar kartą paspauskite įjungimo mygtuką. Norėdami valymo įrenginį išjungti, parengties jungiklį nustatykite į padėtį „O“.

Siurbimo galią galima reguliuoti, atsižvelgiant į atliekamą darbą.

Siurbimo galią galima padidinti, sukant siurbimo galios reguliavimo rankenėlę nuo simbolio  simbolio  link.

**PASTABA:** Jei valymo įrenginio nenaudojate ilgą laiką, visada parengties jungiklį nustatykite į padėtį „O“. Valymo įrenginys naudoja elektros energiją ir veikdamas parengties režimu.

## Ratuko fiksavimas arba atlaisvinimas

- **Pav.7:** 1. Ratukas 2. Stabdiklio svirtelė  
3. ATLEIDIMO padėtis 4. UŽFIKSAVIMO padėtis

Ratukų fiksavimo galimybė paranki pastatant valymo įrenginį saugoti, pertraukiant atliekamą darbą ir sustabdant valymo įrenginį, kad jis nejudėtų.

Stabdiklis valdomas pakeliant arba nuleidžiant jo svirtelę rankomis.

Norėdami užfiksuoti ratuką stabdikliu, nuleiskite stabdiklio svirtelę ir ratukas daugiau nebesisuks. Norėdami atlaisvinti ratuką iš fiksavimo padėties, pakelkite stabdiklio svirtelę.

**PASTABA:** Stumdami valymo įrenginį, įsitikinkite, ar ratukai yra neužfiksuoti. Stumiant valymo įrenginį, kai jo ratukai yra užfiksuoti, ratukai gali būti sugadinti.

## Suporto rankena

Nešdami valymo įrenginį, jį neškite, laikydami už rankenos, esančios ant galvutės. Nenaudojamą rankeną galima nulenkti galvutėje.

- **Pav.8**

## BELAIÐŽIO AKTYVINIMO FUNKCIJA

### Ką galima padaryti su belaidžio aktyvinimo funkcija?

Belaidžio aktyvinimo funkcija leidžia dirbti švariai ir patogiai. Pridėta valymo įrenginį prijungę prie įrankio galite automatiškai jį paleisti įjungdami įrankį.

- **Pav.9**

**PASTABA:** Būtinai vadovaukitės įrankio naudojimo instrukcija, kai naudosite valymo įrenginį su belaidžio aktyvinimo funkcija.

**PASTABA:** Neardykite ir nekeiskite belaidžio bloko.

**PASTABA:** Naudodami arba sandėliuodami, visada uždarykite įrankio belaidžio bloko dangtelį.

**PASTABA:** Kai įrankiui tiekiamas maitinimas, niekada neimkite belaidžio bloko iš įrankio. Kitaip belaidis blokas gali sugesti.

**PASTABA:** Per smarkiai nespauskite belaidžio aktyvinimo mygtuko, nespauskite jo aštriu daiktu.

**PASTABA:** Belaidžiam aktyvinimui reikia „Makita“ įrankių, kuriuose yra belaidis blokas.

**PASTABA:** Prieš pirmą kartą naudojant belaidžio aktyvinimo funkciją su kiekvienu įrankiu, reikia nustatyti įrankį. Nustačius įrankį, kol tai nebus panaikinta, pakartotinio nustatymo atlikti nereikia.

**PASTABA:** Prieš nustatymą būtinai patikrinkite, ar belaidis blokas tinkamai įkištas į įrankį.

**PASTABA:** Vienas valymo įrenginys gali nustatyti iki 10 įrankių. Jei valymo įrenginyje užregistruota daugiau kaip 10 įrankių, anksčiausiai nustatytas įrankis bus automatiškai atšauktas.

**PASTABA:** Belaidžio aktyvinimo mygtuko vieta kiekviename įrenginyje skiriasi.

**PASTABA:** Valymo įrenginį taip pat galima paleisti paspaudus maitinimo mygtuką, kai parengties jungiklis nustatytas į „AUTO“.

Tačiau maitinimo mygtukas nesuveiks, kai naudojama belaidžio aktyvinimo funkcija.

## Įrankio nustatymas valymo įrenginyje

**PASTABA:** Įrankiui nustatyti reikalingas „Makita“ įrankis, palaikantis belaidžio aktyvinimo funkciją.

**PASTABA:** Prieš pradėdami nustatyti įrankį, įdėkite į jį belaidį bloką.

**PASTABA:** Nustatydami įrankį, netraukite gaiduko ir neįjunkite įrankio maitinimo.

**PASTABA:** Taip pat žr. įrankio naudojimo instrukciją.

Jei norite aktyvinti valymo įrenginį įrankio jungikliu, prieš tai nustatykite įrankį.

1. Įdėkite akumuliatorių į valymo įrenginį ir įrankį.
2. Valymo įrenginio parengties jungiklį nustatykite ties „AUTO“.

- **Pav.10:** 1. Parengties jungiklis

3. 3 sekundes spauskite belaidžio aktyvinimo mygtuką ant valymo įrenginio, kol belaidžio aktyvinimo lemputė ims mirksėti žaliai. Tada tokiu pat būdu paspauskite belaidžio aktyvinimo mygtuką ant įrankio.

- **Pav.11:** 1. Belaidžio aktyvinimo mygtukas  
2. Belaidžio aktyvinimo lemputė

Jei valymo įrenginys ir įrankis sėkmingai susieti, belaidžio aktyvinimo lemputės 2 sekundes švies žaliai ir ims mirksėti mėlynai.

**PASTABA:** Belaidžio aktyvinimo lemputės nustoja mirksėti žaliai po 20 sekundžių. Kai mirksi valymo įrenginio belaidžio aktyvinimo lemputė, paspauskite belaidžio aktyvinimo mygtuką ant įrankio. Jei belaidžio aktyvinimo lemputė nemirksi žaliai, trumpai paspauskite belaidžio aktyvinimo mygtuką ir vėl palaikykite jį nuspaudę.

**PASTABA:** Jei norite nustatyti du ar daugiau įrankių viename valymo įrenginyje, nustatykite juos po vieną.

## Belaidžio aktyvinimo funkcijos paleidimas

**PASTABA:** Prieš belaidį aktyvinimą nustatykite įrankį valymo įrenginyje.

**PASTABA:** Visada valymo įrenginį padėkite taip, kad galėtumėte matyti belaidžio aktyvinimo lemputės būseną.

**PASTABA:** Taip pat žr. įrankio naudojimo instrukciją.

Nustačius įrankį valymo įrenginyje, jis automatiškai įsijungs įjungus įrankį.

1. Įdėkite belaidį bloką į įrankį.
2. Sujunkite valymo įrenginio žarną su įrankiu.  
► **Pav.12**
3. Valymo įrenginio parngties jungiklį nustatykite ties „AUTO“.  
► **Pav.13:** 1. Parngties jungiklis
4. Trumpai paspauskite belaidžio aktyvinimo mygtuką ant įrankio. Belaidžio aktyvinimo lemputė mirksės mėlynai.  
► **Pav.14:** 1. Belaidžio aktyvinimo mygtukas  
2. Belaidžio aktyvinimo lemputė
5. Patraukite įrankio gaiduką. Patikrinkite, ar paspaudus gaiduką valymo įrenginys veikia.

Norėdami sustabdyti belaidį aktyvinimą, paspauskite ant įrankio esantį belaidžio aktyvinimo mygtuką arba valymo įrenginio parngties jungiklį nustatykite į „I“ arba „O“ padėtį.

**PASTABA:** Nenaudojant 2 valandas, belaidžio aktyvinimo lemputė ant įrankio nustos mirksėti mėlynai. Šiuo atveju parngties jungiklį ant valymo įrenginio nustatykite ties „AUTO“ ir vėl paspauskite belaidžio aktyvinimo mygtuką ant įrankio.

**PASTABA:** Valymo įrenginys ima veikti ir sustoja šiek tiek uždelęs. Praeina šiek tiek laiko, kol valymo įrenginys nustato, kad buvo panaudotas įrankio jungiklis.

**PASTABA:** Belaidžio bloko perdavimo atstumas gali skirtis, tai priklauso nuo vietos ir aplinkybių.

**PASTABA:** Kai viename valymo įrenginyje yra nustatyti du ar daugiau įrankių, valymo įrenginys gali imti veikti net jei nepatraukėte gaiduko, nes kitas naudotojas naudoja belaidžio aktyvinimo funkciją.

## Įrankio nustatymo valymo įrenginyje atšaukimas

Norėdami atšaukti įrankio nustatymą valymo įrenginyje, atlikite šią procedūrą.

1. Įdėkite akumuliatorius į valymo įrenginį ir įrankį.
2. Valymo įrenginio parngties jungiklį nustatykite ties „AUTO“.  
► **Pav.15:** 1. Parngties jungiklis
3. 6 sekundes spauskite belaidžio aktyvinimo mygtuką ant valymo įrenginio. Belaidžio aktyvinimo lemputė mirksi žaliai ir tampa raudona. Paskui tokiu pat būdu paspauskite belaidžio aktyvinimo mygtuką ant įrankio.  
► **Pav.16:** 1. Belaidžio aktyvinimo mygtukas  
2. Belaidžio aktyvinimo lemputė

Jei atšaukti pavyko, belaidžio aktyvinimo lemputės 2 sekundes švies raudonai ir ims mirksėti mėlynai.

**PASTABA:** Belaidžio aktyvinimo lemputės nustoja mirksėti raudonai po 20 sekundžių. Kai mirksi valymo įrenginio belaidžio aktyvinimo lemputė, paspauskite belaidžio aktyvinimo mygtuką ant įrankio. Jei belaidžio aktyvinimo lemputė nemirksi raudonai, trumpai paspauskite belaidžio aktyvinimo mygtuką ir vėl palaikykite jį nuspaudę.

## Visų įrankio nustatymų trynimas

Visus įrankio nustatymus iš valymo įrenginio galite ištrinti toliau nurodytu būdu.

- **Pav.17:** 1. Parngties jungiklis 2. Belaidžio aktyvinimo mygtukas 3. Belaidžio aktyvinimo lemputė
1. Įdėkite akumuliatorius į valymo įrenginį.
  2. Parngties jungiklį nustatykite ties „AUTO“.
  3. Laikykite belaidžio aktyvinimo mygtuką nuspaustą maždaug 6 sekundes, kol belaidžio aktyvinimo lemputė pradės mirksėti raudona spalva (maždaug dukart per sekundę).
  4. Belaidžio aktyvinimo lemputei ėmus mirksėti raudona spalva, atleiskite pirštą nuo belaidžio aktyvinimo mygtuko. Tada dar maždaug 6 sekundes palaikykite belaidžio aktyvinimo mygtuką paspaustą.
  5. Belaidžio aktyvinimo lemputei ėmus mirksėti greitai (maždaug 5 kartus per sekundę), atleiskite pirštą nuo belaidžio aktyvinimo mygtuko. Belaidžio aktyvinimo lemputei pradėjus šviesti raudona spalva ir vėliau išsijungus, visi įrankio nustatymai yra ištrinti.

**PASTABA:** Jei belaidžio aktyvinimo lemputė nemirksi raudonai, trumpai paspauskite belaidžio aktyvinimo mygtuką ir bandykite dar kartą.

## Belaidžio aktyvinimo lemputės būsenos aprašymas

- **Pav.18:** 1. Belaidžio aktyvinimo mygtukas  
2. Belaidžio aktyvinimo lemputė

Belaidžio aktyvinimo lemputė rodo belaidžio aktyvinimo funkcijos būseną. Lemputės būsenos reikšmės pateiktos toliau esančioje lentelėje.

Būsena	Belaidžio aktyvinimo lemputė			Aprašymas	
	Spalva	<input type="checkbox"/> Šviečia	<input type="checkbox"/> Mirksi		Trukmė
Parengtis	Mėlyna	<input checked="" type="checkbox"/>		Valymo įrenginys: tęsiama įrankis: 2 valandos	Laukiama įrankio nustatymo arba belaidžio aktyvinimo funkcija prieinama. Parengties jungiklį nustačius į „AUTO“, mirksi valymo įrenginio lemputė. Ant įrankio esanti lemputė mirksi paspaudus belaidžio aktyvinimo mygtuką. Nenaudojant 2 valandas, įrankio lemputė automatiškai užges.
		<input type="checkbox"/>		Kai įrankis yra naudojamas.	Galimas belaidis valymo įrenginio aktyvinimas ir įrankis yra naudojamas.
Įrankio nustatymas	Žalia	<input checked="" type="checkbox"/>		20 sekundžių	Pasirengęs nustatyti įrankį. Ieškoma įrankio, kurį reikia nustatyti.
		<input type="checkbox"/>		2 sekundės	Įrankis nustatytas. Belaidžio aktyvinimo lemputė ims mirksėti mėlynai.
Įrankio nustatymo atšaukimas / trynimasis	Raudona	<input checked="" type="checkbox"/>		20 sekundžių (lėtai: 2 k./s)	Pasiruošęs atšaukti įrankio nustatymą. Ieškoma įrankio, kurį reikia atšaukti.
		<input checked="" type="checkbox"/>		Nuspaudus belaidžio aktyvinimo mygtuką. (greitai: 5 k./s)	Pasiruošta ištrinti visus įrankio nustatymus.
		<input type="checkbox"/>		2 sekundės	Įrankio nustatymas atšauktas / ištrintas. Belaidžio aktyvinimo lemputė ims mirksėti mėlynai.
Kita	Raudona	<input type="checkbox"/>		3 sekundės	Belaidis blokas yra maitinamas ir ima veikti belaidžio aktyvinimo funkcija.
	Nešviečia	–		–	Parengties jungiklis nenustatytas ties „AUTO“.

## Belaidžio aktyvinimo funkcijos trikdžių šalinimas

Prieš kreipdamiesi dėl remonto darbų, pirmiausia patikrinkite gedimus patys. Kilus problemų, apie kurias nepaaiškinta vartotojo vadove, nemėginkite ardyti įrankio. Kreipkitės į įgaliotuosius „Makita“ techninės priežiūros centrus, kuriuose remontui visuomet naudojamos originalios „Makita“ keičiamosios dalys.

Neįprasta būklė	Tikėtina priežastis (triktis)	Ištaisomoji priemonė
Belaidžio aktyvinimo lemputė nešviečia arba nemirksi.	Belaidis blokas neįdėtas į įrankį. Belaidis blokas netinkamai įdėtas į įrankį.	Tinkamai įdėkite belaidį bloką į įrankį.
	Belaidžio bloko kontaktas ir (arba) anga yra purvini.	Švelniai nuvalykite dulkes ir purvą nuo belaidžio bloko kontakto ir išvalykite įrankio angą.
	Belaidžio aktyvinimo mygtukas ant įrankio nebuvo paspaustas.	Trumpai paspauskite belaidžio aktyvinimo mygtuką ant įrankio.
	Valymo įrenginio parngties jungiklis nenustatytas ties „AUTO“.	Valymo įrenginio parngties jungiklį nustatykite ties „AUTO“.
	Nėra maitinimo	Prijunkite įrankio ir valymo įrenginio maitinimą.
Nepavyksta nustatyti įrankio / atšaukti jo nustatymo.	Belaidis blokas neįdėtas į įrankį. Belaidis blokas netinkamai įdėtas į įrankį.	Tinkamai įdėkite belaidį bloką į įrankį.
	Belaidžio bloko kontaktas ir (arba) anga yra purvini.	Švelniai nuvalykite dulkes ir purvą nuo belaidžio bloko kontakto ir išvalykite įrankio angą.
	Valymo įrenginio parngties jungiklis nenustatytas ties „AUTO“.	Valymo įrenginio parngties jungiklį nustatykite ties „AUTO“.
	Nėra maitinimo	Prijunkite įrankio ir valymo įrenginio maitinimą.
	Netinkamai atlikta procedūra	Trumpai paspauskite belaidžio aktyvinimo mygtuką ir iš naujo atlikite įrankio nustatymo / atšaukimo procedūras.
	Įrankis ir valymo įrenginys yra toli vienas nuo kito (už perdavimo diapazono ribų).	Padėkite įrankį ir valymo įrenginį arčiau vienas kito. Didžiausias perdavimo atstumas yra maždaug 10 m, bet jis gali skirtis pagal aplinkybes.
	Prieš nustatant / atšaukiant įrankį: - patraukiamas gaidukas ant įrankio arba - įjungiamas maitinimo mygtukas ant valymo įrenginio.	Trumpai paspauskite belaidžio aktyvinimo mygtuką ir iš naujo atlikite įrankio nustatymo / atšaukimo procedūras.
	Neatliktos įrankio nustatymo procedūros įrankyje arba valymo įrenginyje.	Tuo pačiu metu atlikite įrankio nustatymo procedūras įrankyje ir valymo įrenginyje.
Kitų prietaisų, generuojančių didelio intensyvumo radijo bangas, keliama radijo bangų trikdžiai.	Patraukite įrankį ir valymo įrenginį toliau nuo tokių prietaisų kaip belaidžio ryšio įrenginiai ir mikrobangų krosnelės.	
Valymo įrenginys neveikia įjungus įrankio jungiklį.	Belaidis blokas neįdėtas į įrankį. Belaidis blokas netinkamai įdėtas į įrankį.	Tinkamai įdėkite belaidį bloką į įrankį.
	Belaidžio bloko kontaktas ir (arba) anga yra purvini.	Švelniai nuvalykite dulkes ir purvą nuo belaidžio bloko kontakto ir išvalykite įrankio angą.
	Belaidžio aktyvinimo mygtukas ant įrankio nebuvo paspaustas.	Trumpai paspauskite belaidžio aktyvinimo mygtuką ir patikrinkite, ar belaidžio aktyvinimo lemputė mirksi mėlynai.
	Valymo įrenginio parngties jungiklis nenustatytas ties „AUTO“.	Valymo įrenginio parngties jungiklį nustatykite ties „AUTO“.
	Valymo įrenginyje yra nustatyta daugiau kaip 10 įrankių.	Iš naujo nustatykite įrankį. Jei valymo įrenginyje nustatyta daugiau kaip 10 įrankių, anksčiausiai nustatytas įrankis bus automatiškai atšauktas.
	Valymo įrenginys ištrynė visus įrankių nustatymus.	Iš naujo nustatykite įrankį.
	Nėra maitinimo	Prijunkite įrankio ir valymo įrenginio maitinimą.
	Įrankis ir valymo įrenginys yra toli vienas nuo kito (už perdavimo diapazono ribų).	Padėkite įrankį ir valymo įrenginį arčiau vienas kito. Didžiausias perdavimo atstumas yra maždaug 10 m, bet jis gali skirtis pagal aplinkybes.
	Kitų prietaisų, generuojančių didelio intensyvumo radijo bangas, keliama radijo bangų trikdžiai.	Patraukite įrankį ir valymo įrenginį toliau nuo tokių prietaisų kaip belaidžio ryšio įrenginiai ir mikrobangų krosnelės.

Neįprasta būklė	Tikėtina priežastis (triktis)	Ištisomoji priemonė
Valymo įrenginys veikia nepatraukus įrankio gaiduko.	Kiti naudotojai naudoja belaidį valymo įrenginio aktyvinimą su savo įrankiais.	Išjunkite kitų įrankių belaidžio aktyvinimo mygtuką arba atšaukite kitų įrankių nustatymą.
Nepavyko ištrinti visų įrankio nustatymų iš valymo įrenginio.	Paspauskite belaidžio aktyvinimo mygtuką ant įrankio.	Paspauskite belaidį mygtuką ant valymo įrenginio, kad ištrintumėte visus įrankio nustatymus.
	Valymo įrenginio parengties jungiklis nenustatytas ties „AUTO“.	Valymo įrenginio parengties jungiklį nustatykite ties „AUTO“.
	Belaidžio aktyvinimo mygtukas nėra laikomas nuspaustas tinkamai.	Palaikykite belaidžio aktyvinimo mygtuką nuspaustą ilgiau kaip 6 sekundes, tada, belaidžio aktyvinimo lemputei ėmus mirksėti raudona spalva, ji atleiskite. Laikykite belaidžio aktyvinimo mygtuką nuspaustą ilgiau kaip 6 sekundes, kol belaidžio aktyvinimo lemputė pradės greitai mirksėti raudona spalva, tada mygtuką atleiskite.

## DALIŲ APRAŠYMAS

► **Pav.19:** 1. Bakelio dangtelis 2. Filtras su milteliais (HEPA) 3. Slopintuvus 4. Priešfiltras 5. Bakelis

## SURINKIMAS

**▲ PERSPĖJIMAS:** Prieš darydami ką nors įrankiui visada patikrinkite, ar įrenginys išjungtas, o akumuliatorių kasetė – nuimta.

**▲ PERSPĖJIMAS:** Visada montuodami arba atlikdami techninės priežiūros darbus dėvėkite apsaugos nuo dulkių kaukę.

## Filtro su milteliais (HEPA) ir priešfiltro (sausoms dulkėms) įtaisyimas

**▲ PERSPĖJIMAS:** Niekada nesiurbkite vandens ar kitų skysčių ir drėgnų dulkių, jeigu naudojate filtrą su milteliais. Siurbiant tokias medžiagas, filtras su milteliais gali suplyšti.

Norėdami naudoti filtrą su milteliais:

1. Sulygiavę montavimo padėties žymes, įdėkite priešfiltrą į bakelį.
  2. Ant filtro su milteliais uždėkite slopintuvą ir, sulygiavę montavimo padėties žymes, įdėkite į priešfiltrą.
  3. Galiausiai uždėkite ir užfiksuokite bakelio dangtelį.
- **Pav.20:** 1. Bakelio dangtelis 2. Filtras su milteliais (HEPA) 3. Slopintuvus 4. Priešfiltras 5. Bakelis 6. Montavimo padėties žymės

**PASTABA:** Prieš naudodami filtrą su milteliais, įsitinkite, kad priešfiltras ir slopintuvus visuomet būtų naudojami kartu. Draudžiama montuoti vien filtrą su milteliais.

## Popierinio paketo įtaisyimas

*Pasirenkamas priedas*

**▲ JSPĖJIMAS:** Jeigu naudojate popierinį paketą, kartu naudokite ir įrankyje sumontuotą priešfiltrą. Jeigu kartu nenaudosite priešfiltra, kils neįprastas triukšmas, įrenginys pradės kaiti ir kils gaisras.

**▲ PERSPĖJIMAS:** Prieš naudodami popierinį paketą, įsitinkite, kad filtras su milteliais, slopintuvus ir priešfiltras visuomet būtų naudojami kartu.

1. Nuimkite guminį laikiklį.
- **Pav.21:** 1. Guminis laikiklis
2. Išskleiskite popierinį paketą.
  3. Sulyginkite popierinio paketo angą su valymo įrenginio dulkių siurbimo anga.
  4. Įkiškite popierinio paketo kartoninę dalį į laikiklį taip, kad ji būtų įtaisyta gale, už stabdiklio iškyšos.
- **Pav.22:** 1. Popierinis paketas 2. Laikiklis

## Polietilinio maišelio įdėjimas

Valymo įrenginį galima naudoti ir be polietilinio maišelio. Visgi naudojant polietilinį maišelį, lengviau ištuštinti bakelį nesusitępant rankų.

Išskleiskite polietilinį maišelį bakelyje. Įtaisykite jį tarp laikiklio plokštelės ir bakelio ir patraukite jį žarnos įleidimo angos link.

- **Pav.23:** 1. Laikiklio plokštelė 2. Polietilinis maišelis
- Išskleiskite maišelį aplink bakelio viršų taip, kad priešfiltra kraštai jį prispaustų ir tvirtai laikytų.
- **Pav.24:** 1. Priešfiltras

**PASTABA:** Galima naudoti parduotuvėje įsigijamą polietilinį maišelį. Rekomenduojama naudoti 0,04 mm arba storesnį maišelį.

**PASTABA:** Pripildžius per daug dulkių, maišelis lengvai plyšta, todėl maišelį pripildykite tik iki pusės.

## Polietilinio maišelio ištuštinimas

**▲ JSPĖJIMAS:** Prieš ištuštinami polietilinį maišelį, visada patikrinkite, ar valymo įrenginys išjungtas, o akumuliatoriaus kasetė išimta. Nesilaikant šių nurodymų, kyla pavojus gauti elektros smūgį ir sunkiai susižeisti.

**▲ PERSPĖJIMAS:** Saugokite bakelį nuo stiprių smūgių. Smarkiai sutrenkus, įrenginio dalys gali deformuotis ir sutrūkti.

**▲ PERSPĖJIMAS:** Ištuštininkite bakelį bent kartą per dieną, nors tai priklauso nuo siurbiamų dulkių kiekio bakelyje. Kitaip siurbimo galia sumažės ir suges variklis.

**▲ PERSPĖJIMAS:** Tuštinami bakelį, neimkite už kablo. Laikant už kablo, jis gali nutrūkti.



Atkabinkite ir pakelkite bakelio dangtį.  
Nukratykite dulkes nuo priešfiltrio, tada išimkite iš bakelio polietileninį maišelį.

► Pav.25

**PASTABA:** Ištuštinami polietileninį maišelį, atsargiai išimkite jį iš bakelio taip, kad polietilininis maišelis neužstrigtų už bakelio viduje esančios iškyšos ir nesuplyštų.

**PASTABA:** Ištuštinkite polietileninį maišelį, kol jis dar nėra pilnas. Jeigu dulkių bakelyje bus per daug, polietilininis maišelis gali suplyšti.

## Įrankių dėžutės įdėjimas

1. Atlaisvinkite akumulatoriaus skyriaus dangtelio fiksatorių ir atidarykite akumulatoriaus skyriaus dangtelį.
2. Įrankių dėžutės kreipiklius sulygiuokite su įlaidomis korpuse.
3. Uždarykite akumulatoriaus skyriaus dangtelį ir užfiksukite fiksatorių.

► Pav.26

Įrankių dėžutė labai patogi akumulatoriams, vamzdeliams arba antgaliams laikyti.

► Pav.27

## Žarnos prijungimas

**PASTABA:** Niekada nesulenkite arba nesuspauskite žarnos. Niekada netraukite valymo įrenginio už žarnos. Stumiant, spaudžiant ir traukiant žarną, ji gali pratrūkti arba deformuotis.

**PASTABA:** Siurbdami dideles atliekas, pavyzdžiui, nuobliuotas drožles, betono dulkes arba kitas panašias nemažas šiukšles, naudokite 38 mm vidinio skersmens žarną (papildomą priedą). Naudojant 28 mm vidinio skersmens žarną (papildomas priedas), ji gali užsikimšti ir sutrūkti.

Užmaukite žarną ant bakelio montavimo angos ir sukite ją pagal laikrodžio rodyklę tol, kol ji bus užfiksuita.

► Pav.28

## TECHNINĖ PRIEŽIŪRA

**⚠ PERSPĖJIMAS:** Visuomet įsitikinkite, ar įrankis yra išjungtas ir akumulatoriaus kasetė yra nuimta prieš atlikdami apžiūrą ir priežiūrą.

**PASTABA:** Niekada nenaudokite gazolino, benzino, tirpiklio, spirito arba panašių medžiagų. Gali atsirasti išblukimų, deformacijų arba įtrūkimų.

## Priedų saugojimas

Jei prietaiso trumpą laiką nenaudosite, vamzdžius galima dėti į vamzdžio laikiklį.

► Pav.29

► Pav.30

Žarną galima laikyti apvyniotą aplink įrenginį ir sujungus abu jos galus.

► Pav.31

## Filtro su milteliais (HEPA) ir priešfiltrio valymas

Užsikimšus filtrui su milteliais, priešfiltrui arba slopintuvui, sumažėja siurbimo galia. Filtrus ir slopintuvus retkarčiais išvalykite.

Norėdami pašalinti ant filtrų prilipusias dulkes arba daleles, kelis kartus greitai pakratykite rėmo apačią.

► Pav.32

Retkarčiais išplaukite filtrą su milteliais vandenyje, išskalaukite ir, prieš naudodami, visiškai išdžiovinkite pavėsyje. Niekada neplaukite filtrų indaplovėje.

**PASTABA:** Netrinkite arba negrandykite filtro su milteliais, priešfiltrio arba slopintuvo kietais daiktais, pavyzdžiui, šepečiais ar mentelėmis.

**PASTABA:** Filtrai laikui bėgant susidėvi. Rekomenduojama turėti atsarginių filtrų dalių.

Kad gaminyje būtų SAUGUS ir PATIKIMAS, jį taisyti, apžiūrėti ar vykdyti bet kokią kitą priežiūrą ar derinimą turi įgaliotasis kompanijos „Makita“ techninės priežiūros centras; reikia naudoti tik kompanijos „Makita“ pagamintas atsargines dalis.

## PASIRENKAMI PRIEDAI

**⚠ PERSPĖJIMAS:** Šiuos papildomus priedus arba įtaisus rekomenduojama naudoti su šioje instrukcijoje nurodytu „Makita“ bendrovės įrankiu. Naudojant bet kokius kitus papildomus priedus arba įtaisus, gali kilti pavojus sužeisti žmones. Naudokite tik nurodytą tikslui skirtus papildomus priedus arba įtaisus.

Jeigu norite daugiau sužinoti apie tuos priedus, kreipkitės į artimiausią „Makita“ techninės priežiūros centrą.

- Žarna
- Priekinis antgalius (22, 24, 38)
- Tiesus vamzdis
- Kampinis antgalius
- Apvalus šepetėlis
- Filtras su milteliais, HEPA (sausoms dulksoms)
- Slopintuvus
- Priešfiltris
- Antgalių komplektas
- Lenktas vamzdis
- Polietilininis maišelis
- Popierinis paketas
- Laikiklio komplektas
- Originalus „Makita“ akumulatorius ir įkroviklis

**PASTABA:** Kai kurie sąraše esantys priedai gali būti pateikti įrankio pakuotėje kaip standartiniai priedai. Jie įvairiose šalyse gali skirtis.

## HOIATUS

Seda seadet võivad kasutada 8-aastased ja vanemad lapsed ning füüsiliste, sensorsete või vaimsete puuetega või puudulike kogemuste ja teadmistega isikud, juhul kui nad töötavad järelevalve all või kui neid on õpetatud seadet ohutult kasutama ja nad mõistavad seadme kasutamiseiga kaasnevaid ohtusid. Lapsed ei tohi seadmega mängida. Lapsed ei tohi seadet puhastada ega hooldada ilma järelevalveta.

## TEHNILISED ANDMED

Mudel:	DVC864L
Standardfilter	Peentolmufilter (kuiva tolmu jaoks)
Mahuvool (õhk) (BL1850B, ø 38 mm x 2,5 m voolik)	2,1 m <sup>3</sup> /min
Imu (BL1850B, ø 38 mm x 2,5 m voolik)	98 hPa
Taastemaht	8 l
Mõõtmed (P x L x K)	366 mm x 334 mm x 368 mm
Nimipinge	Alalisvool 36 V
Standardne akukasett	BL1815N, BL1820, BL1820B, BL1830, BL1830B, BL1840, BL1840B, BL1850, BL1850B, BL1860B
Netokaal	7,7 - 8,4 kg
Bluetooth®-i versioon	4,1 (Bluetooth low energy)
Sagedusriba	2 402 – 2 480 MHz
Maksimaalne raadiosageduse võimsus	1,0 dBm (EIRP)
Leviala	Umbes 10 m

- Meie pideva uuringu- ja arendusprogrammi tõttu võidakse tehnilisi andmeid muuta ilma sellest ette teatamata.
- Tehnilised andmed ja akukasett võivad riigiti erineda.
- Kaal ei sisalda lisatarvikuid peale akukaseti. Seadme ja akukaseti kõige kergem ja raskem kombineeritud kaal on näidatud tabelis.



Bluetooth®-i sõna märk ja logod on registreeritud kaubamärgid, mis on Bluetooth SIG, Inc. omand ja nende märkide kasutamine Makita poolt on litsentsitud. Muud kaubamärgid ja marginimed on nende vastavate omanike omad.

### Sümbolid

Alljärgnevalt kirjeldatakse seadmetel kasutatavaid tingmärke. Veenduge, et olete nende tähendusest aru saanud enne seadme kasutamist.



Lugege juhendit.



Olge äärmiselt ettevaatlik ja tähelepanelik.



Hoiatus! Tolmuimeja võib sisaldada ohtlikku tolmu.



Ärge kunagi seiske tolmuimeja peal.



Tolmuklass L (kerge). Tolmuimejad suudavad imeda klassile L vastavat tolmu. Järgige tolmu, töötervishoidu ning ohutusnõudeid käsitlevat asukoharigi seadusandlust.



Ainult Euroopa riigid  
Ärge visake elektriseadmeid ja akusid  
ära koos majapidamisprügiga! Kooskõlas  
Euroopa Parlamendi ja nõukogu direktii-  
videga elektri- ja elektroonikaseadmete  
jäätmete, pataride ja akude, patarei- ja  
akujäätmete kohta ning liikmesriikide sea-  
dustega tuleb kasutuskoõlbmatuks muutu-  
nud elektriseadmed ja akud koguda eraldi  
ning keskkonnasäästlikult ringlusse võtta.

## Kavandatud kasutus

Tööriist on ette nähtud tolmu kogumiseks. Seade sobib  
teenuste pakkumiseks nt hotellides, koolides, haiglates,  
tehastes, kauplustes, kontorites ja rendipindadel.

## Müra

Tüüpiline A-korrigeeritud müratase, määratud standardi  
EN60335 kohaselt:

Helirõhutase ( $L_{pA}$ ): 70 dB (A) või vähem  
Määramatus (K): 2,5 dB (A)

Töötamisel võib müratase ületada 80 dB (A).

**⚠️ HOIATUS:** Kasutage kõrvakaitsmeid.

## Vibratsioon

Vibratsiooni koguväärtus (kolmeteljeliste vektorite  
summa) määratud standardi EN60335 kohaselt:

Vibratsioon ( $a_{h,M}$ ): 2,5 m/s<sup>2</sup> või vähem  
Määramatus (K): 1,5 m/s<sup>2</sup>

**MÄRKUS:** Deklareeritud vibratsiooniheite väärtus on  
mõõdetud kooskõlas standardse testimismeetodiga  
ning seda võib kasutada ühe seadme võrdlemiseks  
teisega.

**MÄRKUS:** Deklareeritud vibratsiooniheite väärt-  
tust võib kasutada ka mürataseme esmaseks  
hindamiseks.

**⚠️ HOIATUS:** Vibratsioonitase võib elektritööriista  
tegelikkuses kasutamise ajal erineda deklareeritud  
väärtusest olenevalt tööriista kasutamise viisidest.

**⚠️ HOIATUS:** Rakendage operaatori kaitsmiseks  
kindlasti piisavaid ohutusabinõusid, mis põhinevad  
hinnangulisel müratasemel tegelikus tööolukorras  
(võttes arvesse tööperioodi kõiki osasid, nagu näiteks  
korrad, kui seade lülitatakse välja ja seade töötab  
tühikäigul, lisaks tööajale).

## EÜ vastavusdeklaratsioon

### Ainult Euroopa riikide puhul

EÜ vastavusdeklaratsioon sisaldub käesoleva juhendi  
Lisas A.

# OHUTUSHOIATUSED

## Juhtmeta tolmuimeja ohutusnõuded

**⚠️ HOIATUS:** ÄÄRMISELT OLULINE ON ENNE  
KASUTAMIST lugeda tähelepanelikult läbi kõik  
ohutushoiatused ja juhised. Hoiatuste ja juhtnõõ-  
ride mittejärgmine võib põhjustada elektrišokki, tule-  
kahju ja/või tõsiseid vigastusi.

1. Kõik tolmuimejaga töötavad isikud peavad  
saama enne seadme kasutamist piisava  
väljaõppe.
2. Ärge kasutage tolmuimejat ilma filtrita.  
Vahtage kahjustunud filter kohe välja.
3. VÄLTIGE ETTEKAVATSEMATUT KÄIVITAMIST.  
Aku(de) ühendamise eel veenduge, et tolmu-  
imeja lüliti oleks VÄLJALÜLITATUD asendis.
4. Ärge püüdke tolmuimejaga imeda tuleohtlikke  
materjale, pürotehnilisi aineid, süüdatud  
sigarette, kuuma tuhka, kuumi metallilaaste,  
teravaid esemeid (nt žiletiterad, nõelad, klaa-  
sikillud jms).
5. ÄRGE KASUTAGE TOLMUIMEJAT  
BENSIINI, GAASI, ÄRVI VÕI TEISTE  
PLAHVATUSOHTLIKE AINETE LÄHEDUSES.  
Lüliti keeramisel SISSE või VÄLJA tekitab säde-  
med. Ka mootori kommutaator eraldab töötamise  
ajal sädemeid. Selle tagajärjel võib tekkida ohtlik  
plahvatus.
6. Ärge kunagi imege tolmuimejasse mürgiseid,  
kantserogenseid, süttivaid ega muid tervisele  
ohtlikke aineid (nt arseen, baarium, berüllium,  
plii, pestitsiidid jms).
7. Ärge kunagi kasutage tolmuimejat õues vihma  
käes.
8. Ärge kasutage soojusallikate (ahjud jms)  
läheduses.
9. Ärge tõkestage jahutusavasid. Jahutusavade  
kaudu jahutatakse mootorit. Jälgige hoolikalt,  
et avad ei oleks tõkestatud, sest muidu võib  
mootor ventilatsiooni puudumise tõttu läbi  
põleda.
10. Hoidke jalad kogu aeg kindlalt maas ja hoidke  
tasakaalu.
11. Ärge murdke voolikut kokku ega tirige seda.
12. Seisake tolmuimeja kohe, kui märkate seadme  
jõudluse vähenemist või muid tõrkeid.
13. EEMALDAGE AKU(D). Tolmuimeja tuleb voolu-  
allikast eemaldada, kui seda ei kasutata, ning  
enne hooldamist ja tarvikute vahetamist.
14. Puhastage ja hooldage tolmuimejat kohe  
pärast igat kasutust, et seade oleks alati lait-  
matus töökorras.
15. HOOLITSEGE OMA TOLMUIMEJA EEST.  
Hoidke tolmuimejat puhtana, et tagada parem  
ja ohutum töötamine. Järgige tarvikute vahe-  
tamise juhtnõõre. Hoidke käed kuivad, puhtad  
ning õli- ja rasvavabad.

16. **KONTROLLIGE KAHJUSTUNUD KOMPONENTE.** Enne tolmuimeja edasist kasutamist tuleb hoolikalt kontrollida kahjustatud kaitset või muud seadme osa, et teha kindlaks, kas see töötab edaspidi nõuetekohaselt ja täidab oma otstarvet. Kontrollige liikuvate osade tsentreeringut, liikuvate osade kokkujooksu, purunenud osi, osade paigaldust ja muid tingimusi, mis võivad mõjutada tolmuimeja funktsioneerimist. Kahjustatud kaitse või seadme muu osa tuleb nõuetekohaselt parandada või vahetada välja volitatud teeninduskeskuses, kui kasutusjuhendis ei ole soovitatud teisiti. Laske defektsed lülitid vahetada välja volitatud teeninduskeskuses. Ärge kasutage tolmuimejat, kui selle lüliti ei lülita seadet sisse ega välja.
17. **VARUOSAD.** Kasutage osade väljavahetamiseks ainult originaalvaruosi.
18. **TOLMUIMEJA HOIUSTAMINE.** Kui tolmuimejat ei kasutata, tuleb seda hoiustada sisetingimustes.
19. Käsitsege oma tolmuimejat hoolikalt. Jõuline käsitsemine võib põhjustada isegi kõige tugevama konstruktsiooniga tolmuimeja purunemise.
20. Ärge puhastage tolmuimeja sisemust ega pealispinda bensiini, lahusti või keemiliste puhastusvahenditega. See võib põhjustada pragude tekkimist ning värvuse luitumist.
21. Ärge kasutage tolmuimejat kinnises ruumis, kus võib esineda õlipõhisest värvist, värvivedelidist, bensiinist, teatud koitõrjevahenditest jms ainetest tingitud tule- või plahvatusohtlikke või mürgiseid aursid, ega piirkondades, kus on kergesti süttivat tolmu.
22. Ärge kasutage seda ega ühtki teist seadet, kui olete ravimite või alkoholi mõju all.
23. Järgige ohutuse põhinõuet ja kasutage küljekaitsemega kaitseprille.
24. Tolmuse töötingimuste korral kandke tolumaski.
25. Seade ei ole ette nähtud kasutamiseks füüsiliste, sensoorsete või vaimsete puuetega isikutele (k.a lapsed) ega isikutele, kellel puuduvad kogemused ja teadmised seadme ohutuks kasutamiseks.
26. Lastel ei tohi lubada tolmuimejaga mängida.
27. Ärge kunagi käsitsege akut (akusid) ega tolmuimejat märgade kätega.
28. Treppide puhastamisel olge äärmiselt ettevaatlik.
29. Ärge kasutage tolmuimejat toolina ega pingina. Masin võib ümber kukkuda ning tekitada kehavigastusi.

#### Akuga tööriista kasutamine ja hooldus

1. **Laadige alati laadijaga, mille tootja on heaks kiitnud.** Laadija, mis sobib kasutamiseks ühte tüüpi akuga, võib kaasa tuua tulekahjuohtu, kui seda kasutada koos mõnda teist tüüpi akuga.
2. **Kasutage elektritööriista üksnes spetsiaalselt neile toodetud akudega.** Mis tahes muude akude kasutamine võib tekitada tervisekahjustusi või tulekahjuohtu.

3. **Kui akut ei kasutata, ärge hoidke seda koos muude metallesemetega, nagu kirjaklambrid, mündid, võtmed, naelad, kruvid jm väiksed metallesemed, mis võivad tekitada ühenduse klemmide vahel.** Akuklemmide lühis võib põhjustada põletusi ja tulekahjuohtu.
4. **Väärkasutamise tagajärjel võib akut valguda välja vedelikku; ärge seda puudutage.** Kui olete selle vedelikuga siiski kogemata kokku puutunud, uhtke kohta veega. Kui vedelik on sattunud silma, minge arsti juurde. Akust väljavalgunud vedelik võib põhjustada ärritust ja põletusi.
5. **Ärge kasutage akupaketti ega tööriista, mis on kahjustatud või muudetud.** Kahjustatud või muudetud akut võivad käituda etteaimamatult, põhjustades süttimis-, plahvatus- või vigastusohu.
6. **Kaitske akupaketti ja tööriista tule ja kõrge temperatuur eest.** Tule või kõrgema kui 130 °C temperatuuriga kokkupuutumine võib tuua kaasa plahvatus.
7. **Pidage kinni kõigist laadimisjuhistest ja ärge laadige akupaketti ega tööriista väljaspool juhendis märgitud temperatuurivahemikku.** Valesti või väljaspool märgitud temperatuurivahemikku laadimine võib kahjustada akupaketti ja suurendada süttimisohtu.

## HOIDKE JUHEND ALLES.

**⚠️HOIATUS:** ÄRGE UNUSTAGE järgida toote ohutusnõudeid mugavuse või toote (korduskasutamise saavutatud) hea tundmise tõttu. **VALE KASUTUS** või kasutusjuhendi ohutuseeskirjade eiramine võib põhjustada tervisekahjustusi.

## Akukassetiga seotud olulised ohutusjuhised

1. Enne akukasseti kasutamist lugege (1) akulaadijal, (2) akul ja (3) seadmest olevad juhtnõõrid ja hoiatused läbi.
2. Ärge võtke akukasseti lahti.
3. Kui tööaeg järsult lüheneb, siis lõpetage kohe kasutamine. Edasise kasutamise tulemuseks võib olla ülekuumenemisoht, võimalikud põletused või isegi plahvatus.
4. Kui elektrolüüti satub silma, siis loputage silma puhta veega ja pöörduge koheselt arsti poole. Selline õnnetus võib põhjustada pimedaksjäämist.
5. **Ärge tekitage akukassetis lühist:**
  - (1) Ärge puutuge klemme elektrijuhtidega.
  - (2) Ärge hoidke akukasseti tööriistakastis koos metallesemetega, nagu naelad, mündid jne.
  - (3) Ärge tehke akukasseti märjaks ega jätke seda vihma kätte.
6. **Aku lühis võib põhjustada tugevat elektrivoolu, ülekuumenemist, põletusi ning ka seadet tõsiselt kahjustada.**
7. **Ärge hoidke tööriista ja akukasseti kohtades, kus temperatuur võib tõusta üle 50 °C.**
7. **Ärge põletage akukasseti isegi siis, kui see on saanud tõsiselt vigastada või on täiesti kulu- nud.** Akukassetit võib tules plahvatada.

8. Olge ettevaatlik, ärge laske akul maha kukkuda ja vältige lööke.
9. Ärge kasutage kahjustatud akut.
10. Sisalduvatele liitium-ioonakudele võivad kohalduda ohtlike kaupade õigusaktide nõuded.  
Kaubanduslikul transportimisel, näiteks kolmandate poolte või transportiettevõtete poolt, tuleb järgida pakendil ja siltidel toodud erinõudeid. Transportimiseks ettevalmistamisel on vajalik pidada nõu ohtliku materjali eksperdiga. Samuti tuleb järgida võimalike riiklike regulatsioonide üksikasjalikumaid nõudeid.  
Katke teibiga või varjake avatud kontaktid ja pakendage aku selliselt, et see ei saaks pakendis liukuda.
11. Järgige kasutuskõlblmatuks muutunud aku käitlemisel kohalikke eeskirju.
12. Kasutage akusid ainult Makita heaks kiidetud toodetega. Akude paigaldamine selleks mitte ettenähtud toodetele võib põhjustada süttimist, ülemäärast kuumust, plahvatamist või elektroolüüdi lekkimist.

## HOIDKE JUHEND ALLES.

**⚠ETTEVAATUST:** Kasutage ainult Makita originaalakusid. Mitte Makita originaalakude või muudetud akude kasutamine võib põhjustada akude süttimise, kehavigastuse ja kahjustuse. Samuti muudab see kehtetuks Makita tööriista ja laadija Makita garantii.

## Vihjeid aku maksimaalse kasutaja tagamise kohta

1. Laadige akukassetti enne selle täielikku tühjenemist. Kui märkate, et tööriist töötab väiksema võimsusega, peatage töö ja laadige akukassetti.
2. Ärge laadige täielikult laetud akukassetti. Ülelaadimine lühendab akude kasutusiga.
3. Laadige akukassetti toatemperatuuril 10 °C - 40 °C. Enne laadimist laske kuumenenud akukassetil maha jahtuda.
4. Kui te ei kasuta akukassetti kauem kui kuus kuud, laadige see.

## Juhtmeta seadmega seotud olulised ohutusjuhised

1. Ärge võtke lahti ega muutke puhastajat. Puhastaja sees olevat juhtmevaba seadet ei saa eemaldada.
2. Ärge kasutage juhtmevaba aktiveerimisfunktsiooni kohtades, kus läheduses asuvad meditsiiniinstrumendid, südamestimulaatorid või automatiseeritud seadmed, näiteks automaatsed ukSED ja tuletõrjealarmid.
3. Ärge kasutage puhastajat kohtades, kus temperatuur on üle 50 °C (122 °F).
4. Juhtmeta seade on täppiseade. Olge ettevaatlik, ärge laske puhastajal maha kukkuda ja vältige lööke.
5. Ärge jätke puhastajat kohta, kus võib esineda staatilist elektrit või elektrilist müra.

## FUNKTSIONAALNE KIRJELDUS

**⚠ETTEVAATUST:** Kandke alati hoolt selle eest, et tööriist oleks enne reguleerimist ja kontrollimist välja lülitatud ja akukassett eemaldatud.

### Akukasseti paigaldamine või eemaldamine

**⚠ETTEVAATUST:** Lülitage tööriist alati enne akukasseti paigaldamist või eemaldamist välja.

**⚠ETTEVAATUST:** Akukasseti paigaldamisel või eemaldamisel tuleb tööriista ja akukassetti kindlalt paigal hoida. Kui tööriista ja akukassetti ei hoita kindlalt paigal, võivad need käest libiseda ning kahjustada tööriista ja akukassetti või põhjustada kehavigastusi.

**⚠ETTEVAATUST:** Olge akukatte avamisel ja sulgemisel ettevaatlik, et mitte sõrmi vahele jätta. Selle eiramise tagajärjeks võib olla kehavigastus.

Akukasseti paigaldamiseks vabastage esmalt lukk ja seejärel avage akukate. Nüüd sisestage akukassett.

► **Joon.1:** 1. Lukk 2. Akukate

Joondage akukassetil olev keel korpuses oleva soonega ja libistage kassett oma kohale. Sisestage see tervenisti, et see lukustuks klõpsatusega oma kohale. Seejärel lukustage akukate.

► **Joon.2:** 1. Akukassett

Akukasseti eemaldamiseks libistage see tööriista küljest lahti, vajutades kasseti esiküljel paiknevat nuppu alla.

**⚠ETTEVAATUST:** Paigaldage akukassett alati täies ulatuses nii, et punast osa ei jääks näha. Muidu võib adapter juhuslikult tööriistast välja kukkuda ning põhjustada teile või läheduses viibivatele isikutele vigastusi.

**⚠ETTEVAATUST:** Ärge rakendage akukassetti paigaldamisel jõudu. Kui kassett ei lähe kergesti sisse, pole see õigesti paigaldatud.

















**MÄRKUS:** Tolmuimeja ei tööta ainult ühe akukassetiga.

## Aku jääkmahutavuse näit

**Ainult näidikuga akukassettidele**

► **Joon.3:** 1. Märgulambid 2. Kontrollimise nupp

Akukasseti järelejäänud mahutavuse kontrollimiseks vajutage kontrollimise nuppu. Märgulambid süttivad mõneks sekundiks.

Märgulambid			Jääkmahutavus
 Pöleb	 Ei põle	 Vilgub	
			75 - 100%
			50 - 75%
			25 - 50%
			0 - 25%
			Laadige akut.
			Akul võib olla tõrge.
			








**MÄRKUS:** Näidatud mahutavus võib veidi erineda tegelikust mahutavusest olenevalt kasutustingimustest ja ümbritseva keskkonna temperatuurist.

## Aku jääkmahutavuse näit

► **Joon.4:** 1. Akunäidik 2. Kontrollimise nupp  
3. Ooterežiimi lüliti

► **Joon.5**

Aku järelejäänud mahutavuse kontrollimiseks vajutage kontrollimise nuppu. Kummalgi akul on oma akuindikaator.

Akunäidiku olek			Aku jääkmahutavus
 Pöleb	 Ei põle	 Vilgub	
			50% kuni 100%
			20% kuni 50%
			0% kuni 20%
			Laadige akut

**MÄRKUS:** Sel ajal kui puhastaja on sisse lülitatud ja ootelüliti on asendis „AUTO”, akuindikaator ei tööta.

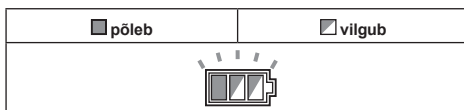
## Tööriista/aku kaitsesüsteem

Tööriist on varustatud tööriista või aku kaitsesüsteemiga. Süsteem lülitab mootori automaatselt välja, et pikendada tööriista ja aku tööiga. Tööriist seiskub käitamise ajal automaatselt, kui tööriista või aku kohta kehtib üks järgmistest tingimustest.

## Ülekoormuskaitse

Kui tööriista kasutamise käigus hakkab see tarbima ebaharilikult palju voolu, peatub tööriist automaatselt ilma igasuguse signaalita. Sellisel juhul lülitage tööriist välja ning lõpetage tööriista ülekoormuse põhjustanud tegevus. Pärast seda käivitage tööriist uuesti.

## Ülekuumenemiskaitse



Kui tööriist on ülekuumenenud, seiskub see automaatselt ja aku indikaator vilgub umbes 60 sekundit. Sellises olukorras laske tööriistal maha jahtuda enne, kui selle uuesti sisse lülitate.

## Ülelaadimiskaitse

Kui aku laetuse tase on madal, siis seiskub tööriist automaatselt. Kui seade ei hakka tööle ka lülitate kasutamisel, eemaldage tööriistast akud ja laadige neid.

## Lüliti funktsioneerimine

► **Joon.6:** 1. Ooterežiimi lüliti 2. Toitenupp  
3. Imemisjõu reguleerimisnupp

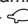
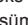
Tolmuimeja käivitamine:

1. Seadke ooterežiimi lüliti „I”-poolele. Tolmuimeja läheb ooterežiimi.

2. Vajutage toitenuppu.

Tolmuimeja ooterežiimi lülitamiseks vajutage uuesti toitenuppu.

Tolmuimeja väljalülitamiseks seadke ooterežiimi lüliti „O”-poolele.

Imemisjõudu saab reguleerida olenevalt tehtavast tööst. Imemisjõu suurendamiseks keerake imemisjõu reguleerimisnupp sümbolilt  sümbolile .

**TÄHELEPANU:** Seadke ooterežiimi lüliti alati „O”-poolele, kui te ei kasuta tolmuimejat pikka aega. Tolmuimeja kasutab ooterežiimis elektrit.

## Ratta lukustamine ja vabastamine

► **Joon.7:** 1. Ratas 2. Lukustushoob 3. VABASTATUD asend 4. LUKUSTATUD asend

Ratta lukustamist on mugav kasutada tolmuimeja hoiulepanekuks, töö peatamiseks ja tolmuimeja paigal hoidmiseks. Liigutage lukustushooba käega.

Ratta lukustamiseks lukustushoovaga vajutage lukustushooba alla, et ratas ei saaks liukuda. Ratta vabastamiseks lukustatud asendist tõstke lukustushoob üles.

**MÄRKUS:** Tolmuimeja liigutamisel kontrollige, et ratas ei oleks lukustatud. Lukustatud asendis rattaga tolmuimeja liigutamine võib rattast kahjustada.

## Kandepide

Tolmuimejat kandes hoidke seda tolmuimeja peal olevast käepidemest. Kui käepidet ei kasutata, saab selle tolmuimeja pealmise osa sisse vajutada.

► **Joon.8**

# JUHTMETA AKTIVEERIMISE FUNKTSIOON

## Mida võimaldab juhtmeta aktiveerimise funktsioon

Juhtmeta aktiveerimise funktsioon võimaldab puhast ja mugavat töötamist. Ühendades toetatud toimuemeja puhastajaga, saate käivitada puhastaja automaatselt koos tööriista lüliti toimimisega.

### ► Joon.9

**TÄHELEPANU:** Kasutades puhastajat koos juhtmeta aktiveerimise funktsiooniga, vaadake kindlasti tööriista kasutusjuhendit.

**TÄHELEPANU:** Ärge võtke juhtmeta seadet lahti ega muutke seda omavoliliselt.

**TÄHELEPANU:** Tööriista kasutades või hoiuandades sulgege alati juhtmeta seadme kaas.

**TÄHELEPANU:** Ärge eemaldage juhtmeta seadet tööriistast ajal, kui tööriista varustatakse toitega. Selle juhise järgimata jätmine võib tekitada juhtmeta seadme talitlushäireid.

**TÄHELEPANU:** Ärge vajutage juhtmeta aktiveerimise nupule liiga tugevalt ja/või ärge tehke seda teravate servadega esemega.

**MÄRKUS:** Juhtmeta aktiveerimine vajab Makita tööriistasid, mis on varustatud juhtmeta seadmega.

**MÄRKUS:** Enne juhtmeta aktiveerimise funktsiooni esialgset kasutamist iga tööriistaga on vajalik tööriista sidumine. Kui tööriista sidumine on lõpetatud, ei ole korduv sidumine vajalik, välja arvatud juhul, kui see tühistatakse.

**MÄRKUS:** Enne sidumist veenduge, et juhtmeta seade on korralikult seadmesse sisestatud.

**MÄRKUS:** Üks puhastaja saab siduda kuni 10 tööriista. Kui puhastajaga on seotud üle 10 tööriista, siis kõige esimesena seotud tööriista sidumine tühistatakse automaatselt.

**MÄRKUS:** Juhtmeta aktiveerimise nupu asend oleb tööriistast.

**MÄRKUS:** Puhastaja käivitub ka toitenuppu vajutades, kui ootelüliti on seatud asendisse „AUTO”. Toitenupp ei käivita, kui kasutatakse juhtmeta aktiveerimise funktsiooni.

## Tööriista sidumine puhastaja jaoks

**MÄRKUS:** Sidumiseks on vajalik Makita tööriist, mis toetaks juhtmeta aktiveerimise funktsiooni.

**MÄRKUS:** Enne tööriista registreerimist tuleb juhtmeta seade tööriista paigaldada.

**MÄRKUS:** Tööriista sidumise ajal ärge tõmmake lüliti päästikut ega lülitage puhastaja toitelüliti sisse.

**MÄRKUS:** Vt ka tööriista kasutusjuhendit.

Kui soovite puhastaja koos tööriista lüliti toimimisega aktiveerida, siis peate kõigepealt lõpetama tööriista sidumise.

1. Paigaldage patareid nii puhastajasse kui ka tööriista.
2. Seadke puhastaja ooterežiimi lüliti asendisse „AUTO”.

### ► Joon.10: 1. Ooterežiimi lüliti

3. Vajutage puhastajal juhtmeta aktiveerimise nuppu ja hoidke seda 3 sekundit all, kuni juhtmeta aktiveerimise tuli hakkab roheliselt vilkuma. Seejärel vajutage samamoodi tööriista juhtmeta aktiveerimise nuppu.

- Joon.11: 1. Juhtmeta aktiveerimise nupp  
2. Juhtmeta aktiveerimise tuli

Kui puhastaja ja tööriist on edukalt seotud, siis juhtmeta aktiveerimise tuled süttivad 2 sekundiks roheliselt ja hakkavad seejärel siniselt vilkuma.

**MÄRKUS:** Juhtmeta aktiveerimise lambid lõpetavad roheliselt vilkumise 20 sekundi pärast. Vajutage juhtmeta aktiveerimise nuppu tööriistal, kui puhastajal vilgub juhtmeta aktiveerimise tuli. Kui juhtmeta aktiveerimise tuli ei vilgu roheliselt, siis vajutage korra juhtmeta aktiveerimise nuppu ja hoidke seda uuesti all.

**MÄRKUS:** Sidudes kahte või enamat tööriista ühe puhastajaga, lõpetage tööriistade sidumine ükshaaval.

## Juhtmeta aktiveerimise funktsiooni käivitamine

**MÄRKUS:** Enne juhtmeta aktiveerimist tuleb lõpetada tööriista sidumine puhastajaga.

**MÄRKUS:** Asetage puhastaja alati nii, et näeksite juhtmeta aktiveerimise tule olekut.

**MÄRKUS:** Vt ka tööriista kasutusjuhendit.

Pärast tööriista sidumist puhastajaga, käivitus puhastaja automaatselt tööriista lüliti abil.

1. Paigaldage juhtmeta seade tööriista sisse.
2. Ühendage puhastaja voolik tööriistaga.  
► Joon.12
3. Seadke puhastaja ooterežiimi lüliti asendisse „AUTO”.  
► Joon.13: 1. Ooterežiimi lüliti
4. Vajutage korra tööriistal olevat juhtmeta aktiveerimise nuppu. Juhtmeta aktiveerimise tuli vilgub siniselt.  
► Joon.14: 1. Juhtmeta aktiveerimise nupp  
2. Juhtmeta aktiveerimise tuli

5. Tõmmake tööriista lüliti päästikut. Kontrollige, kas puhastaja töötab tööriista lüliti päästiku tõmbamise ajal. Juhtmeta aktiveerimise peatamiseks tõmmake juhtmeta aktiveerimise nuppu tööriistal või seadke puhastaja ootelüliti asendisse I või O.

**MÄRKUS:** Tööriista juhtmeta aktiveerimise tuli lõpetab siniselt vilkumise, kui 2 tunni jooksul ei tehta ühtegi toimingut. Sellisel juhul seadke puhastaja ooterežiimi lüliti asendisse „AUTO” ja vajutage tööriistal uuesti juhtmeta aktiveerimise nuppu.

**MÄRKUS:** Puhastaja alustab/peatub viivitusega. Kui puhastaja tuvastab tööriista lüliti toimimise, esineb viivitus.

**MÄRKUS:** Juhtmeta seadme edastamise kaugus võib olenevalt asukohast ja ümbritsevatest oludest erineda.

**MÄRKUS:** Kui kaks või enam tööriista seotakse ühe puhastajaga, siis võib puhastaja hakata tööle isegi siis, kui te pole lüliti päästikut tõmmanud, sest juhtmeta aktiveerimise funktsiooni kasutab mõni teine kasutaja.

## Tööriista sidumise tühistamine puhastaja jaoks

Tööriista sidumise tühistamiseks puhastaja jaoks tuleb toimida alljärgnevalt.

1. Paigaldage patareid nii puhastajasse kui ka tööriista.
2. Seadke puhastaja ooterežiimi lüliti asendisse „AUTO”.  
▶ **Joon.15:** 1. Ooterežiimi lüliti
3. Vajutage puhastajal juhtmeta aktiveerimise nuppu ja hoidke seda 6 sekundit all. Juhtmeta aktiveerimise tuli vilgub roheliselt ja muutub seejärel punaseks. Seejärel vajutage samamoodi tööriista juhtmeta aktiveerimise nuppu.  
▶ **Joon.16:** 1. Juhtmeta aktiveerimise nupp  
2. Juhtmeta aktiveerimise tuli

Kui tolmuimeja ja tööriist on edukalt lahatatud, siis juhtmeta aktiveerimise tuled süttivad 2 sekundiks punaselt ja seejärel hakkavad need siniselt vilkuma.

**MÄRKUS:** Juhtmeta aktiveerimise lambid lõpetavad punaselt vilkumise 20 sekundi pärast. Vajutage juhtmeta aktiveerimise nuppu tööriistal, kui puhastajal vilgub juhtmeta aktiveerimise tuli. Kui juhtmeta aktiveerimise tuli ei vilgu punaselt, siis vajutage korra juhtmeta aktiveerimise nuppu ja hoidke seda uuesti all.

## Kõikide tööriista sidumiste kustutamine

Kõik tööriista sidumised saate puhastajast kustutada järgmiselt.

▶ **Joon.17:** 1. Ooterežiimi lüliti 2. Juhtmeta aktiveerimise nupp 3. Juhtmeta aktiveerimise tuli

1. Paigaldage patareid puhastajasse.
2. Seadke ooterežiimi lüliti asendisse „AUTO”.
3. Hoidke juhtmeta aktiveerimise nuppu umbes 6 sekundit all, kuni juhtmeta aktiveerimise tuli vilgub punaselt (umbes kaks korda sekundis).
4. Kui juhtmeta aktiveerimise tuli hakkab punaselt vilkuma, vabastage oma sõrm juhtmeta aktiveerimise nupult. Seejärel hoidke juhtmeta aktiveerimise nuppu uuesti umbes 6 sekundit all.
5. Kui juhtmeta aktiveerimise tuli hakkab punaselt kiiresti vilkuma (umbes 5 korda ühe sekundi kohta), vabastage oma sõrm juhtmeta aktiveerimise nupult. Kui juhtmeta aktiveerimise tuli süttib punaselt ja hiljem kustub, on kõik tööriista sidumised kustutatud.

**MÄRKUS:** Kui juhtmeta aktiveerimise tuli ei vilgu punaselt, siis vajutage korra juhtmeta aktiveerimise nuppu ja proovige uuesti.

## Juhtmeta aktiveerimise tule oleku kirjeldus

- ▶ **Joon.18:** 1. Juhtmeta aktiveerimise nupp  
2. Juhtmeta aktiveerimise tuli

Juhtmeta aktiveerimise tuli näitab juhtmeta aktiveerimise funktsiooni olekut. Tule oleku tähendust näete allolevast tabelist.

Olek	Juhtmeta aktiveerimise tuli			Kirjeldus	
	Värv	<input type="checkbox"/> Põleb	<input type="checkbox"/> Vilgub		Kestus
Ooteaeg	Sinine	<input checked="" type="checkbox"/>		Puhastaja: jätkuv Tööriist: 2 tundi	Oodatakse tööriista sidumist või on juhtmeta aktiveerimise funktsioon saadaval. Puhastajal olev tuli vilgub, kui ootelüliti on seatud asendisse AUTO. Tööriistal olev tuli vilgub, kui vajutatakse juhtmeta aktiveerimise nuppu. Tööriistal olev tuli lülitub automaatselt välja, kui 2 tunni jooksul ei tehta ühtegi toimingut.
		<input type="checkbox"/>		Kui tööriist on käivitatud.	Puhastaja juhtmeta aktiveerimine on saadaval ja tööriist on käivitatud.
Tööriista sidumine	Roheline	<input checked="" type="checkbox"/>		20 sekundit	Valmis tööriista sidumiseks. Seotava tööriista otsimine.
		<input type="checkbox"/>		2 sekundit	Tööriista sidumine on lõpetatud. Juhtmeta aktiveerimise tuli hakkab siniselt vilkuma.
Tööriista sidumise tühistamine/kustutamine	Punane	<input checked="" type="checkbox"/>		20 sekundit	Valmis tööriista sidumise tühistamiseks. Tühistatava tööriista otsimine.
		<input checked="" type="checkbox"/>		Kui juhtmeta aktiveerimise nupp alla vajutatakse.	Kõikide tööriista sidumiste kustutamiseks valmis.
		<input type="checkbox"/>		2 sekundit	Tööriista sidumine on tühistatud/kustutatud. Juhtmeta aktiveerimise tuli hakkab siniselt vilkuma.
Muu	Punane	<input type="checkbox"/>		3 sekundit	Juhtmeta seade on ühendatud toitega ja juhtmeta aktiveerimise funktsioon käivitub.
	Väljas	-		-	Ooterežiimi lüliti ei ole seatud asendisse „AUTO”.



## Juhtmeta aktiveerimise funktsiooni veaotsing

Enne remonditööd pöördumist kontrollige niidukit ise. Ärge üritage niidukit lahti võtta, kui leiate probleemi, mida kasutusjuhendis ei kirjeldata. Selle asemel pöörduge Makita volitatud teeninduskeskusesse, kus kasutatakse remontimisel alati Makita tagavaraosi.

Tõrge	Võimalik põhjus (riike)	Lahendus
Juhtmeta aktiveerimise tuli ei põle / ei vilgu.	Tööriista sisse ei ole juhtmeta seadet paigaldatud. Juhtmeta seade on tööriista sisse valesti paigaldatud.	Paigaldage juhtmeta seade õigesti tööriista sisse.
	Juhtmeta seadme klemm ja/või pesa on määrduud.	Pühkige juhtmeta seadme klemmiilt ettevaatlikult tolm ja mustus ning puhastage tööriista pesa.
	Tööriistal olevat juhtmeta aktiveerimise nuppu ei ole vajutatud.	Vajutage korraks tööriistal olevat juhtmeta aktiveerimise nuppu.
	Puhastaja ooterežiimi lüliti ei ole seatud asendisse „AUTO“.	Seadke puhastaja ooterežiimi lüliti asendisse „AUTO“.
	Puudub toiteallikas	Varustage tööriist ja puhastaja toiteallikaga.
Tööriista registreerimist / tööriista registreerimise tühistamist ei õnnestu edukalt lõpetada.	Tööriista sisse ei ole juhtmeta seadet paigaldatud. Juhtmeta seade on tööriista sisse valesti paigaldatud.	Paigaldage juhtmeta seade õigesti tööriista sisse.
	Juhtmeta seadme klemm ja/või pesa on määrduud.	Pühkige juhtmeta seadme klemmiilt ettevaatlikult tolm ja mustus ning puhastage tööriista pesa.
	Puhastaja ooterežiimi lüliti ei ole seatud asendisse „AUTO“.	Seadke puhastaja ooterežiimi lüliti asendisse „AUTO“.
	Puudub toiteallikas	Varustage tööriist ja puhastaja toiteallikaga.
	Vale kasutamine	Vajutage korraks juhtmeta aktiveerimise nuppu ja tehke tööriista registreerimise/tühistamise toimingud uuesti.
	Tööriist ja puhastaja asuvad teineteisest liiga kaugel (on leviulatusest väljas).	Viige tööriist ja puhastaja üksteisele lähemale. Maksimaalne ülekandekaugus on umbes 10 m, kuid see võib olenevalt asjaoludest varieeruda.
	Enne tööriista registreerimise/tühistamise lõpetamist; - tööriista lüliti päästik on tõmmatud või; - puhastaja toitenupp on sisse lülitatud.	Vajutage korraks juhtmeta aktiveerimise nuppu ja tehke tööriista registreerimise/tühistamise toimingud uuesti.
	Tööriista või puhastaja sidumistoimingud on lõpetamata.	Tehke samal ajal nii tööriista kui ka puhastaja sidumistoimingud.
	Teiste seadmete tekitatud raadiohääring, mis tekitab väga intensiivseid raadiolaineid.	Hoidke tööriista ja puhastajat WiFi-seadmetest ja mikrolaineahjust eemal.

Tõrge	Võimalik põhjus (riike)	Lahendus
Puhastaja ei tööta tööriista lüliti kaudu.	Tööriista sisse ei ole juhtmeta seadet paigaldatud. Juhtmeta seade on tööriista sisse valesti paigaldatud.	Paigaldage juhtmeta seade õigesti tööriista sisse.
	Juhtmeta seadme klemm ja/või pesa on määrduud.	Pühkige juhtmeta seadme klemmiit ettevaatlikult tolm ja mustus ning puhastage tööriista pesa.
	Tööriistal olevat juhtmeta aktiveerimise nuppu ei ole vajutatud.	Vajutage korras juhtmeta aktiveerimise nuppu ja veenduge, et juhtmeta aktiveerimise tuli vilguks siniselt.
	Puhastaja ooterežiimi lüliti ei ole seatud asendisse „AUTO“.	Seadke puhastaja ooterežiimi lüliti asendisse „AUTO“.
	Puhastajaga on seotud üle 10 tööriista.	Tehke sidumistoiming uuesti. Kui tolmuimejaga on seotud üle 10 tööriista, siis kõige esimesena seotud tööriista sidumine tühistatakse automaatselt.
	Tolmuimeja kustutas kõik seotud tööriistad.	Siduge tööriist uuesti.
	Puudub toiteallikas	Varustage tööriist ja puhastaja toiteallikaga.
	Tööriist ja puhastaja asuvad teineteisest liiga kaugel (on levialustest väljas).	Viige tööriist ja puhastaja üksteisele lähemale. Maksimaalne ülekandekaugus on umbes 10 m, kuid see võib olenevalt asjaoludest varieeruda.
	Teiste seadmete tekitatud raadiohääring, mis tekitab väga intensiivseid raadiolaineid.	Hoidke tööriista ja puhastajat WiFi-seadmetest ja mikrolaineahjust eemal.
Puhastaja töötab ajal, kui tööriista lüliti päästikut ei tõmmata.	Teised kasutajad kasutavad oma tööriistaga puhastaja juhtmeta aktiveerimist.	Lülitage teiste tööriistade juhtmeta aktiveerimise nupp välja või tühistage teiste tööriistade registreerimine.
Ei saa kustutada kõiki puhastajas olevaid sidumisi.	Tööriistal oleva juhtmeta aktiveerimise nupu vajutamine.	Vajutage puhastajal juhtmeta nuppu, et kustutada kõik tööriista sidumised.
	Puhastaja ooterežiimi lüliti ei ole seatud asendisse „AUTO“.	Seadke puhastaja ooterežiimi lüliti asendisse „AUTO“.
	Juhtmeta aktiveerimise nuppu ei hoita õigesti all.	Hoidke juhtmeta aktiveerimise nuppu all rohkem kui 6 sekundit ja seejärel vabastage see, kui juhtmeta aktiveerimise tuli vilgub punaselt. Hoidke juhtmeta aktiveerimise nuppu uuesti rohkem kui 6 sekundit all, kuni juhtmeta aktiveerimise nupp vilgub kiiresti punaselt, ja vabastage seejärel nupp.

## OSADE KIRJELDUS

- **Joon.19:** 1. Paagikate 2. Peentolmufilter (HEPA) 3. Summuti 4. Eelfilter 5. Paak

## KOKKUPANEK

**⚠ETTEVAATUST:** Kandke alati hoolt selle eest, et tööriist oleks enne igasuguseid hooldustöid välja lülitatud ja akukassett eemaldatud.

**⚠ETTEVAATUST:** Kokkupaneku ja hoolduse ajal kandke alati tolmu maski.

## Peentolmu- (HEPA) ja eelfiltri (kuiva tolmu jaoks) paigaldamine

**⚠ETTEVAATUST:** Ärge kunagi koguge tolmuimejasse vett, muid vedelikke ega märga tolmu, kui kasutate peentolmufiltrit. Sellised ained võivad põhjustada peentolmufiltrit purunemise.

Peentolmufiltrit kasutamine:

1. Paigutage eelfilter paaki, joondades paigaldusasendi märgistused.
  2. Paigaldage peentolmufiltrile summuti ja paigutage need eelfiltrisse, joondades paigaldusasendi märgistused.
  3. Lõpuks paigaldage paagikate ja lukustage see.
- **Joon.20:** 1. Paagikate 2. Peentolmufilter (HEPA) 3. Summuti 4. Eelfilter 5. Paak 6. Paigaldusasendi märgistus

**TÄHELEPANU:** Peentolmufiltrit tuleb alati kasutada koos eelfiltri ja summutiga. Peentolmufiltrit ei tohi paigaldada ilma eelnimetatud komponentideta.

## Pabertolmu koti paigaldamine

Valikuline tarvik

**⚠HOIATUS:** Pabertolmu koti kasutamisel tuleb sellega koos kasutada seadmele enne paigaldatud eelfiltri. Eelfiltri kasutamata jätmine võib põhjustada ebataavalist müra ja kuumenemist, mille tagajärjel võib tekkida tulekahju.

**⚠ETTEVAATUST:** Enne pabertolmukoti kasutamist kontrollige, et ka peentolmufilter, summuti ja eelfilter oleksid samal ajal kasutusel.

1. Eemaldage kummist hoidik.  
▶ **Joon.21:** 1. Kummist hoidik
2. Avardage pabertolmukotti.
3. Seadke pabertolmukoti ava kohakuti tolmuimeja tolmuimemisavaga.
4. Seadke pabertolmukoti papp hoidikule nii, et see asetuks üle fiksaatori väljaulatava otsa.  
▶ **Joon.22:** 1. Pabertolmukott 2. Hoidik

## Polüetüleenkoti paigaldamine

Tolmuimejat saab kasutada ka ilma polüetüleenkotita. Kuid polüetüleenkoti kasutamisel saate paaki hõlpsasti tühjendada ilma käsi määrimata.

Asetage polüetüleenkott paagis laiali. Paigutage kott hoidiku plaadi ja paagi vahele ning tõmmake seda vooliku sisselaskeava poole.

▶ **Joon.23:** 1. Hoidiku plaat 2. Polüetüleenkott

Paigutage kott laiali ümber paagi ülaosa nii, et eelfiltri serv hoiaks kotti kindlalt kinni.

▶ **Joon.24:** 1. Eelfilter

**MÄRKUS:** Kasutada võib kaubandusvõrgus saadavalolevaid polüetüleenkotte. Soovitatav on kasutada pakksusega 0,04 mm või paksemat polüetüleenkotti.

**MÄRKUS:** Liiga suur tolmu kogus võib kotti rebestada, seega ärge koguge kotti rohkem kui poole koti jagu tolmu.

## Polüetüleenkoti tühjendamine

**⚠HOIATUS:** Enne polüetüleenkoti tühjendamist veenduge, et tolmuimeja oleks välja lülitatud ja akukassett eemaldatud. Selle nõude eiramine võib põhjustada elektrilööki ja raskeid kehavigastusi.

**⚠ETTEVAATUST:** Vältige tugevaid lööke paagi pihta. Tugevad löögid võivad põhjustada osade deformeerumist ning kahjustusi.

**⚠ETTEVAATUST:** Tühjendage paaki vähemalt üks kord päevas, läheldes paaki kogutud tolmu kogusest. Selle eiramise korral imemisjõud nõrgeneb ja mootor võib puruneda.

**⚠ETTEVAATUST:** Ärge hoidke paaki tühjendades konksust kinni. Konks võib puruneda, kui sellest kinni hoitakse.

Haakige paagikate lahti ja tõstke see üles. Raputage tolm eelfiltrist välja ning seejärel võtke polüetüleenkott paagist välja.

▶ **Joon.25**

**MÄRKUS:** Võtke polüetüleenkott paagist ettevaatlikult välja, jälgides, et see ei takerduks paagi sisemuses olevate väljaulatavate osade külge, mis võivad põhjustada koti rebenemise.

**MÄRKUS:** Tühjendage polüetüleenkotti enne selle täitumist. Liiga suur tolmu kogus paagis võib põhjustada polüetüleenkoti rebenemise.

## Tööriistakasti paigaldamine

1. Avage akukatte lukk ja avage akukate.
2. Seadke tööriistakasti rõõpad kohakuti korpuse soontega.
3. Sulgege akukate ja selle lukk.  
▶ **Joon.26**

Tööriistakast on mugav vahend, milles kanda akusid, toru või mansette.

▶ **Joon.27**

## Vooliku ühendamine

**TÄHELEPANU:** Ärge kunagi painutage voolikut jõuga ega muljuge seda. Ärge kunagi liigutage tolmuimejat voolikust tõmmates. Vooliku jõuga painutamine, muljumine ja tõmbamine võivad põhjustada vooliku purunemise või deformeerumise.

**TÄHELEPANU:** Suurte jäätmete (nt hõvliilaastud, betoonipuru jms) koristamisel kasutage 38 mm sisediameetriga voolikut (lisatarvik). 28 mm sisediameetriga vooliku (lisatarvik) kasutamisel võib voolik ummistuda ja kahjustuda.

Paigaldage voolik paagil oleva kinnitusava külge ja keerake seda päripäeva kuni lukustumiseni.

▶ **Joon.28**

## HOOLDUS

**⚠ETTEVAATUST:** Enne kontroll- või hooldustoimingute tegemist kandke alati hoolt selle eest, et tööriist oleks välja lülitatud ja akukassett korpuse küljest eemaldatud.

**TÄHELEPANU:** Ärge kunagi kasutage bensiini, vedeldit, alkoholi ega midagi muud sarnast. Selle tulemuseks võib olla luitumine, deformatsioon või pragunemine.

## Tarvikute hoidmine

Torud võib asetada toru hoidikusse, kui te tolmuimejat lühikest aega ei kasuta.

▶ **Joon.29**

▶ **Joon.30**

Voolikut võib hoida ümber seadme, ühendades selle otsad.

▶ **Joon.31**

## Peentolmu- (HEPA) ja eelfiltri puhastamine

Ummistunud peentolmufilter, eelfilter ja summuti vähendavad imemisvõimsust. Puhastage aeg-ajalt filtreid ja summuteid.

Tolmu ja filtrite külge kleepunud osakeste eemaldamiseks tuleb raami põhja kiiresti mõned korrad raputada.

### ► Joon.32

Peske peentolmufiltrit aeg-ajalt veega, loputage seda korralikult ja laske siis filtril enne kasutamist varjulises kohas korralikult kuivada. Filtreid ei tohi pesta pesumasinas.

**MÄRKUS:** Peentolmufiltrit, eelfiltrit ega summutit ei tohi hõõruda ega kraapida kõvade esemetega, nagu harja ja kaabitsaga.

**MÄRKUS:** Aja jooksul filter kulub. Soovitav on nende jaoks hoida käepärast mõningaid varuosi.

Toote OHUTUSE ja TÖÖKINDLUSE tagamiseks tuleb vajalikud remonttööd ning muud hooldus- ja reguleerimistööd lasta teha Makita volitatud teeninduskeskustes või tehase teeninduskeskustes. Alati tuleb kasutada Makita varuosi.

## VALIKULISED TARVIKUD

**⚠ETTEVAATUST:** Neid tarvikuid ja lisaseadiseid on soovitatav kasutada koos Makita tööriistaga, mille kasutamist selles kasutusjuhendis kirjeldatakse. Muude tarvikute ja lisaseadiste kasutamisega kaasneb vigastada saamise oht. Kasutage tarvikuid ja lisaseadiseid ainult otstarbekohaselt.

Saate vajaduse korral kohalikust Makita teeninduskeskusest lisateavet nende tarvikute kohta.

- Voolik
- Esimansett (22, 24, 38)
- Sirge toru
- Nurgaotsak
- Ümmargune hari
- Peentolmufilter, HEPA (kuiva tolmu jaoks)
- Summuti
- Eelfilter
- Otsakumoodul
- Painutatud toru
- Polüetüleenkott
- Pabertolmukott
- Hoidikukomplekt
- Makita algupärane aku ja laadija

**MÄRKUS:** Mõned nimekirjas loetletud tarvikud võivad kuuluda standardvarustusse ning need on lisatud tööriista pakendisse. Need võivad riigiti erineda.

## ОСТОРОЖНО

Данный инструмент могут использовать дети с 8 лет и лица с ограниченными физическими, сенсорными или умственными способностями, а также не имеющие надлежащего опыта и знаний, только в случаях, когда они действуют под руководством или после надлежащего инструктажа по безопасному использованию инструмента и осознают возможные опасности. Не разрешайте детям играть с инструментом. Детям запрещается проводить чистку и обслуживание без контроля со стороны взрослых.

## ТЕХНИЧЕСКИЕ ХАРАКТЕРИСТИКИ

Модель:	DVC864L
Стандартный тип фильтра	Пылевой фильтр (для сухой пыли)
Объемный расход воздуха (с BL1850B, шланг $\varnothing$ 38 мм x 2,5 м)	2,1 м <sup>3</sup> /мин
Вакуум (с BL1850B, шланг $\varnothing$ 38 мм x 2,5 м)	98 гПа
Восстанавливаемая емкость	8 л
Размеры (Д x Ш x В)	366 x 334 x 368 мм
Номинальное напряжение	36 В пост. тока
Стандартный блок аккумулятора	BL1815N, BL1820, BL1820B, BL1830, BL1830B, BL1840, BL1840B, BL1850, BL1850B, BL1860B
Масса нетто	7,7 - 8,4 кг
Версия Bluetooth®	4,1 (Bluetooth low energy)
Диапазон частот	2 402 - 2 480 МГц
Максимальная мощность радиочастотного сигнала	1,0 дБм (ЗИИМ)
Диапазон передачи	Приблизительно 10 м

- Благодаря нашей постоянно действующей программе исследований и разработок указанные здесь технические характеристики могут быть изменены без предварительного уведомления.
- Технические характеристики и аккумуляторный блок могут отличаться в зависимости от страны.
- В значение массы не входит масса принадлежностей, только масса блок(ов) аккумулятора. Наименьшая и наибольшая совокупная масса инструмента и блока(ов) аккумулятора указана в таблице.



Словесный знак и логотипы Bluetooth® являются зарегистрированными торговыми марками Bluetooth SIG, Inc. Использование таких знаков компаний Makita лицензировано. Другие торговые знаки и названия принадлежат их непосредственным владельцам.

### Символы

Ниже приведены символы, используемые для обозначения. Перед использованием убедитесь, что вы понимаете их значение.



Прочитайте руководство по эксплуатации.



Обратите особое внимание.



Осторожно! Пылесос может содержать опасную пыль.



Запрещено вставлять на пылесос.



Класс пыли L (легкая). Пылесосы предназначены для сбора пыли класса L. Соблюдайте требования местного законодательства в отношении запыленности, охраны труда и техники безопасности на рабочем месте.



Ni-MH  
Li-Ion

Только для стран ЕС  
Не выбрасывайте электрооборудование или аккумуляторы вместе с бытовым мусором! В соответствии с европейскими директивами об утилизации электрического и электронного оборудования, о батареях и аккумуляторах, а также использованных батареях и аккумуляторах и их применении в соответствии с местными законами электрооборудование, батареи и аккумуляторы, срок эксплуатации которых истек, должны утилизироваться отдельно и передаваться для утилизации на предприятие, соответствующее применяемым правилам охраны окружающей среды.

**⚠ОСТОРОЖНО:** Распространение вибрации во время фактического использования электроинструмента может отличаться от заявленного значения в зависимости от способа применения инструмента.

**⚠ОСТОРОЖНО:** Обязательно определите меры безопасности для защиты оператора, основанные на оценке воздействия в реальных условиях использования (с учетом всех этапов рабочего цикла, таких как выключение инструмента, работа без нагрузки и включение).

## Декларация о соответствии ЕС

*Только для европейских стран*

Декларация о соответствии ЕС включена в руководство по эксплуатации (Приложение А).

## Назначение

Данный инструмент предназначен для сбора сухой пыли. Инструмент подходит для коммерческого использования, например, в гостиницах, школах, больницах, магазинах, офисах, арендных помещениях и на заводах.

## Шум

Типичный уровень взвешенного звукового давления (А), измеренный в соответствии с EN60335:  
Уровень звукового давления ( $L_{pA}$ ): 70 дБ (или менее)  
Погрешность (К): 2,5 дБ (А)

Уровень шума при выполнении работ может превышать 80 дБ (А).

**⚠ОСТОРОЖНО:** Используйте средства защиты слуха.

## Вибрация

Суммарное значение вибрации (сумма векторов по трем осям), определенное в соответствии с EN60335:

Распространение вибрации ( $a_{h,m}$ ): 2,5 м/с<sup>2</sup> или менее

Погрешность (К): 1,5 м/с<sup>2</sup>

**ПРИМЕЧАНИЕ:** Заявленное значение распространения вибрации измерено в соответствии со стандартной методикой испытаний и может быть использовано для сравнения инструментов.

**ПРИМЕЧАНИЕ:** Заявленное значение распространения вибрации можно также использовать для предварительных оценок воздействия.

## МЕРЫ БЕЗОПАСНОСТИ

### Правила техники безопасности при эксплуатации аккумуляторного пылесоса

**⚠ОСТОРОЖНО: ВАЖНО! ВНИМАТЕЛЬНО ОЗНАКОМЬТЕСЬ со всеми инструкциями и рекомендациями по технике безопасности ДО НАЧАЛА РАБОТЫ.** Невыполнение инструкций и рекомендаций может привести к поражению электротоком, пожару и/или тяжелым травмам.

1. **Перед началом эксплуатации убедитесь, что пользователь должным образом проинструктирован по работе с данным пылесосом.**
2. **Не используйте пылесос без фильтра. Немедленно замените поврежденный фильтр.**
3. **НЕ ДОПУСКАЙТЕ СЛУЧАЙНОГО ПУСКА.** Установившая аккумулятор (аккумуляторы), обязательно убедитесь, что инструмент выключен.
4. **Не всасывайте горючие материалы, петарды, зажженные сигареты, угли, горячую металлическую стружку, острые предметы, такие как бритвы, иголки, битое стекло и т. п.**
5. **ЗАПРЕЩАЕТСЯ ЭКСПЛУАТИРОВАТЬ ПЫЛЕСОС РЯДОМ С БЕНЗИНОМ, ГАЗОМ, КРАСКОЙ, КЛЕЯЩИМИ И ДРУГИМИ ВЗРЫВООПАСНЫМИ МАТЕРИАЛАМИ.** При установке переключателя в положения ON (Вкл.) и OFF (Выкл.) возможно возникновение искр. Искры могут также возникать во время работы коллектора электромотора. Результатом может стать сильный взрыв.

6. Запрещается всасывать токсичные, канцерогенные, легковоспламеняющиеся и другие опасные материалы, такие как асбест, мышьяк, барий, бериллий, свинец, пестициды и другие вредные для здоровья вещества.
  7. Запрещается использовать пылесос вне помещения во время дождя.
  8. Не используйте пылесос вблизи источников тепла (печи и пр.).
  9. Не закрывайте вентиляционные отверстия. Они обеспечивают охлаждение электромотора. Следите, чтобы вентиляционные отверстия не засорились. В противном случае электромотор может сгореть из-за недостаточного охлаждения.
  10. Всегда сохраняйте устойчивое положение и равновесие.
  11. Не сгибайте, не тяните шланг и не наступайте на него.
  12. Немедленно выключите пылесос, если во время работы заметите признаки неисправности или падение мощности.
  13. **СНИМИТЕ АККУМУЛЯТОР (АККУУЛЯТОРЫ).** Если пылесос не используется, перед обслуживанием и при смене насадок.
  14. Очищайте и обслуживайте пылесос сразу по окончании работы, чтобы поддерживать его в оптимальном техническом состоянии.
  15. **СОБЛЮДАЙТЕ ОСТОРОЖНОСТЬ ПРИ ВЫПОЛНЕНИИ ОЧИСТКИ ПЫЛЕСОСА.** Содержите пылесос в чистоте, чтобы обеспечить максимальную эффективность и безопасность эксплуатации. Следуйте инструкциям по смене насадок. Ручки инструмента всегда должны быть сухими и чистыми и не должны быть испачканы маслом или смазкой.
  16. **ПРОВЕРЬТЕ КОМПОНЕНТЫ НА ПРЕДМЕТ ПОВРЕЖДЕНИЙ.** Перед дальнейшим использованием пылесоса ограждение или другая поврежденная деталь должны быть тщательно осмотрены, чтобы убедиться, что пылесос будет работать нормально и выполнять функции, для которых он предназначен. Убедитесь, что движущиеся компоненты выровнены и свободно перемещаются, никакие детали не повреждены, все крепления надежны и отсутствуют другие дефекты, которые могут повлиять на работу электроинструмента. Поврежденное ограждение или какая-либо другая деталь должны быть соответствующим образом отремонтированы или заменены авторизованным сервисным центром, если в руководстве по эксплуатации не указано иное. Неисправные выключатели должны быть заменены в авторизованном сервисном центре. Не используйте пылесос, если выключатель не включает или не выключает его.
  17. **ЗАПАСНЫЕ ЧАСТИ.** При техническом обслуживании используйте для замены только аналогичные детали.
  18. **ХРАНЕНИЕ ПЫЛЕСОСА.** Если пылесос не используется, храните его в помещении.
  19. Берегите пылесос. Небрежная эксплуатация может привести к поломке даже самого прочного пылесоса.
  20. Запрещается использовать для очистки внутренних и внешних поверхностей бензин, растворитель или чистящие химикаты. Это может вызвать появление трещин и обесцвечивание.
  21. Не используйте пылесос в замкнутом пространстве при наличии огнеопасных, взрывоопасных или токсичных паров от масляных красок, растворителей, бензина, некоторых средств защиты от моли и т. п., либо при наличии горючей пыли.
  22. Не используйте это или другие устройства в состоянии алкогольного или наркотического опьянения.
  23. Одним из основных правил техники безопасности является использование защитных очков с боковыми щитками.
  24. Работая в запыленной зоне, используйте респиратор.
  25. Это устройство не предназначено для использования лицами (включая детей) с ограниченными физическими, сенсорными или умственными способностями, а также не имеющими надлежащего опыта и знаний.
  26. Следите, чтобы дети не использовали пылесос в качестве игрушки.
  27. Запрещено прикасаться к аккумулятору (аккумуляторам) и пылесосу мокрыми руками.
  28. Проявляйте особую осторожность при работе на лестницах.
  29. Запрещается использовать пылесос в качестве табурета или верстака. Устройство может упасть и нанести травму.
- Эксплуатация и обслуживание электроинструмента, работающего на аккумуляторах**
1. Заряжайте аккумулятор только зарядным устройством, указанным изготовителем. Зарядное устройство, подходящее для одного типа аккумуляторов, может привести к пожару при его использовании с другим аккумуляторным блоком.
  2. Используйте электроинструмент только с указанными аккумуляторными блоками. Использование других аккумуляторных блоков может привести к травме или пожару.
  3. Когда аккумуляторный блок не используется, храните его отдельно от металлических предметов, таких как скрепки, монеты, ключи, гвозди, шурупы или другие небольшие металлические предметы, которые могут привести к закорачиванию контактов аккумуляторного блока между собой. Короткое замыкание между контактами аккумуляторного блока может привести к ожогам или пожару.

4. При неправильном обращении из аккумуляторного блока может потечь жидкость. Избегайте контакта с ней. В случае контакта с кожей промойте место контакта обильным количеством воды. В случае попадания в глаза обратитесь к врачу. Жидкость из аккумулятора может вызвать раздражение или ожоги.
5. Не используйте поврежденные или модифицированные инструменты и аккумуляторные блоки. Поврежденные или модифицированные аккумуляторы могут работать некорректно, что может привести к пожару, взрыву или травмированию.
6. Не подвергайте аккумуляторный блок или инструмент воздействию огня или высокой температуры. Воздействие огня или температуры выше 130 °C может привести к взрыву.
7. Следуйте всем инструкциям по зарядке и не заряжайте аккумуляторный блок или инструмент при температурных условиях, выходящих за пределы диапазона, указанного в инструкции. Зарядка ненадлежащим образом или при температурных условиях, выходящих за пределы указанного диапазона, может привести к повреждению батареи и повысить риск пожара.
5. Не замыкайте контакты аккумуляторного блока между собой:
  - (1) Не прикасайтесь к контактам какими-либо токопроводящими предметами.
  - (2) Не храните аккумуляторный блок в контейнере вместе с другими металлическими предметами, такими как гвозди, монеты и т. п.
  - (3) Не допускайте попадания на аккумуляторный блок воды или дождя.
 Замыкание контактов аккумуляторного блока между собой может привести к возникновению большого тока, перегреву, возможному ожогу и даже поломке блока.
6. Не храните инструмент и аккумуляторный блок в местах, где температура может достигать или превышать 50 °C (122 °F).
7. Не бросайте аккумуляторный блок в огонь, даже если он сильно поврежден или полностью вышел из строя. Аккумуляторный блок может взорваться под действием огня.
8. Не роняйте и не ударяйте аккумуляторный блок.
9. Не используйте поврежденный аккумуляторный блок.
10. Входящие в комплект литий-ионные аккумуляторы должны эксплуатироваться в соответствии с требованиями законодательства об опасных товарах.

При коммерческой транспортировке, например, третьей стороной или экспедитором, необходимо нанести на упаковку специальные предупреждения и маркировку.

В процессе подготовки устройства к отправке обязательно проконсультируйтесь со специалистом по опасным материалам. Также соблюдайте местные требования и нормы. Они могут быть строже.

Закройте или закрепите разомкнутые контакты и упакуйте аккумулятор так, чтобы он не перемещался по упаковке.

11. Выполняйте требования местного законодательства относительно утилизации аккумуляторного блока.
12. Используйте аккумуляторы только с продукцией, указанной Makita. Установка аккумуляторов на продукцию, не соответствующую требованиям, может привести к пожару, перегреву, взрыву или утечке электролита.

## СОХРАНИТЕ ДАННЫЕ ИНСТРУКЦИИ.

**▲ОСТОРОЖНО:** НЕ ДОПУСКАЙТЕ, чтобы удобство или опыт эксплуатации данного устройства (полученный от многократного использования) доминировали над строгим соблюдением правил техники безопасности при обращении с этим устройством. **НЕПРАВИЛЬНОЕ ИСПОЛЬЗОВАНИЕ** инструмента или несоблюдение правил техники безопасности, указанных в данном руководстве, может привести к тяжелой травме.

## Важные правила техники безопасности для работы с аккумуляторным блоком

1. Перед использованием аккумуляторного блока прочитайте все инструкции и предупреждающие надписи на (1) зарядном устройстве, (2) аккумуляторном блоке и (3) инструменте, работающем от аккумуляторного блока.
2. Не разбирайте аккумуляторный блок.
3. Если время работы аккумуляторного блока значительно сократилось, немедленно прекратите работу. В противном случае, может возникнуть перегрев блока, что приведет к ожогам и даже к взрыву.
4. В случае попадания электролита в глаза промойте их обильным количеством чистой воды и немедленно обратитесь к врачу. Это может привести к потере зрения.

## СОХРАНИТЕ ДАННЫЕ ИНСТРУКЦИИ.

**▲ВНИМАНИЕ:** Используйте только фирменные аккумуляторные батареи Makita. Использование аккумуляторных батарей, не произведенных Makita, или батарей, которые были подвергнуты модификациям, может привести к взрыву аккумулятора, пожару, травмам и повреждению имущества. Это также автоматически аннулирует гарантию Makita на инструмент и зарядное устройство Makita.



## Советы по обеспечению максимального срока службы аккумулятора

1. Заряжайте блок аккумуляторов перед его полной разрядкой. Обязательно прекратите работу с инструментом и зарядите блок аккумуляторов, если вы заметили снижение мощности инструмента.
2. Никогда не подзаряжайте полностью заряженный блок аккумуляторов. Перезарядка сокращает срок службы аккумулятора.
3. Заряжайте блок аккумуляторов при комнатной температуре в 10 - 40 °C (50 - 104 °F). Перед зарядкой горячего блока аккумуляторов дайте ему остыть.
4. Зарядите ионно-литиевый аккумуляторный блок, если вы не будете пользоваться инструментом длительное время (более шести месяцев).

### Важные правила техники безопасности для работы с беспроводным блоком

1. Не разбирайте и не меняйте конструкцию пылесоса. Беспроводной блок пылесоса нельзя извлечь.
2. Не включайте функцию беспроводной активации в местах, где поблизости могут находиться медицинские приборы, кардиостимуляторы или автоматизированные устройства, такие как автоматические двери и пожарные сигнализаторы.
3. Не используйте пылесос в тех местах, где температура превышает 50°C (122°F).
4. Беспроводной блок является точным прибором. Не роняйте и не ударяйте пылесос.
5. Не оставляйте пылесос в таких местах, где может скапливаться статическое электричество или могут присутствовать электрические помехи.

## ОПИСАНИЕ РАБОТЫ

**ВНИМАНИЕ:** Перед регулировкой или проверкой функций инструмента обязательно убедитесь, что он выключен и его аккумуляторный блок снят.

### Установка или снятие блока аккумуляторов

**ВНИМАНИЕ:** Обязательно выключайте инструмент перед установкой и извлечением аккумуляторного блока.

**ВНИМАНИЕ:** При установке и извлечении аккумуляторного блока крепко удерживайте инструмент и аккумуляторный блок. Если не соблюдать это требование, они могут выскользнуть из рук, что приведет к повреждению инструмента, аккумуляторного блока и травмированию оператора.

**ВНИМАНИЕ:** Соблюдайте осторожность, чтобы не прищемить пальцы при открытии и закрытии крышки отсека аккумулятора. Несоблюдение этого требования может стать причиной травмы.

Чтобы установить блок аккумулятора, освободите фиксатор и откройте крышку отсека аккумулятора. Затем установите блок аккумулятора.

► **Рис.1:** 1. Зафиксируйте 2. Крышка отсека аккумулятора

Совместите выступ блока аккумулятора с пазом в корпусе и задвиньте его на место. Устанавливайте блок до упора так, чтобы он зафиксировался на месте с небольшим щелчком. Затем зафиксируйте крышку отсека аккумулятора.

► **Рис.2:** 1. Блок аккумулятора

Для снятия аккумуляторного блока нажмите кнопку на лицевой стороне и извлеките блок.

**ВНИМАНИЕ:** Обязательно устанавливайте аккумуляторный блок до конца, чтобы красный индикатор не был виден. В противном случае аккумуляторный блок может выпасть из инструмента и нанести травму вам или другим людям.

**ВНИМАНИЕ:** Не прилагайте чрезмерных усилий при установке аккумуляторного блока. Если блок не движется свободно, значит он вставлен неправильно.

**ПРИМЕЧАНИЕ:** Пылесос не будет работать с одним блоком аккумулятора.

## Индикация оставшегося заряда аккумулятора

Только для блоков аккумулятора с индикатором

► Рис.3: 1. Индикаторы 2. Кнопка проверки

Нажмите кнопку проверки на аккумуляторном блоке для проверки заряда. Индикаторы загорятся на несколько секунд.

Индикаторы			Уровень заряда
Горит	Выкл.	Мигает	
■	■	■	от 75 до 100%
■	■	□	от 50 до 75%
■	□	□	от 25 до 50%
■	□	□	от 0 до 25%
▬	□	□	Зарядите аккумуляторную батарею.
■	□	□	Возможно, аккумуляторная батарея неисправна.
□	□	■	

**ПРИМЕЧАНИЕ:** В зависимости от условий эксплуатации и температуры окружающего воздуха индикация может незначительно отличаться от фактического значения.

## Индикация оставшегося заряда аккумулятора

► Рис.4: 1. Индикатор аккумулятора 2. Кнопка проверки 3. Выключатель режима ожидания

► Рис.5

Нажмите кнопку проверки для проверки заряда аккумулятора. Индикаторы соответствуют каждому аккумулятору.

Состояние индикатора аккумуляторной батареи			Уровень заряда аккумулятора
Вкл.	Выкл.	Мигает	
■	■	■	от 50% до 100%
■	□	□	от 20% до 50%
■	□	□	от 0% до 20%
▬	□	□	Зарядите аккумулятор

**ПРИМЕЧАНИЕ:** Когда пылесос включен и выключатель режима ожидания установлен в положение «АВТО» (автоматический), индикатор аккумулятора не работает.

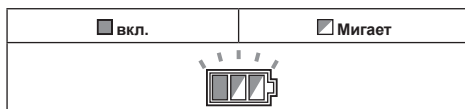
## Система защиты инструмента/аккумулятора

На инструменте предусмотрена система защиты инструмента/аккумулятора. Она автоматически отключает питание двигателя для продления срока службы инструмента и аккумулятора. Инструмент автоматически остановится во время работы в следующих случаях:

### Защита от перегрузки

Если из-за способа эксплуатации инструмент потребляет очень большое количество тока, он автоматически остановится без включения каких-либо индикаторов. В этом случае выключите инструмент и прекратите работу, повлекшую перегрузку инструмента. Затем включите инструмент для перезапуска.

### Защита от перегрева



При перегреве инструмент автоматически останавливается, а индикатор аккумулятора мигает около 60 секунд. В таком случае дайте инструменту остыть перед повторным включением.

### Защита от переразрядки

При истощении заряда аккумулятора инструмент автоматически останавливается. Если устройство не работает даже после нажатия переключателей, снимите аккумуляторы с инструмента и зарядите их.

## Действие выключателя

► Рис.6: 1. Выключатель режима ожидания 2. Кнопка питания 3. Регулятор силы всасывания

Для запуска пылесоса:

1. Установите выключатель режима ожидания в положение "I". Пылесос переходит в режим ожидания.
2. Нажмите кнопку питания. Убедитесь, что пылесос перешел в режим ожидания, нажмите кнопку питания еще раз. Чтобы выключить пылесос, установите переключатель режима ожидания в положение "O".

Мощность всасывания можно регулировать в зависимости от потребностей.

Для увеличения мощности поверните регулятор из положения в положение .

**ПРИМЕЧАНИЕ:** Всегда устанавливайте переключатель режима ожидания в положение "O", когда вы не пользуетесь пылесосом в течение длительного времени. В режиме ожидания пылесос потребляет электроэнергию.

## Включение и выключение стопора ролика

- **Рис.7:** 1. Ролик 2. Рычаг ограничителя  
3. Положение FREE (Разблокировано)  
4. Положение LOCK (Заблокировано)

Блокировка ролика очень удобна для хранения пылесоса, временной приостановки работы и обездвиживания пылесоса.

Чтобы использовать стопор, поверните его рукой. Чтобы зафиксировать ролик с помощью стопора, опустите рычаг стопора, и ролик не сможет вращаться. Чтобы разблокировать ролик, поднимите рычаг стопора.

**ПРИМЕЧАНИЕ:** При перемещении пылесоса убедитесь, что ролик разблокирован. Перемещение пылесоса с заблокированным роликом может привести к повреждению ролика.

## Рукоятка для переноски

При переноске пылесоса удерживайте его за рукоятку в верхней части. Если рукоятка не используется, ее можно сложить в верхнюю часть корпуса пылесоса.

- **Рис.8**

## ФУНКЦИЯ БЕСПРОВОДНОЙ АКТИВАЦИИ

### Что позволяет делать функция беспроводной активации

Функция беспроводной активации обеспечивает беспрепятственную и удобную работу. Подключив к пылесосу поддерживаемый инструмент, пылесос можно запускать автоматически, используя переключатель инструмента.

- **Рис.9**

**ПРИМЕЧАНИЕ:** Во время использования пылесоса с функцией беспроводной активации соблюдайте инструкции, указанные в руководстве по эксплуатации.

**ПРИМЕЧАНИЕ:** Не разбирайте и не меняйте конструкцию беспроводного блока.

**ПРИМЕЧАНИЕ:** Во время использования или хранения обязательно закрывайте крышку беспроводного блока.

**ПРИМЕЧАНИЕ:** Не извлекайте беспроводной блок из инструмента, если на инструмент подано питание. Это может привести к неисправной работе беспроводного блока.

**ПРИМЕЧАНИЕ:** Не нажимайте слишком сильно кнопку беспроводной активации и/или не нажимайте кнопку, используя объекты с острым краем.

**ПРИМЕЧАНИЕ:** Для использования беспроводной активации инструменты Makita должны быть оснащены беспроводным блоком.

**ПРИМЕЧАНИЕ:** Перед начальным использованием функции беспроводной активации необходимо выполнить регистрацию каждого инструмента. После выполнения регистрации инструмента повторная регистрация требуется только в том случае, если она была отменена.

**ПРИМЕЧАНИЕ:** Перед регистрацией убедитесь, что беспроводной блок надежно установлен в инструмент.

**ПРИМЕЧАНИЕ:** Для одного пылесоса можно зарегистрировать до 10 инструментов. Если в пылесосе зарегистрировано более 10 инструментов, инструмент, зарегистрированный первым, будет автоматически отменен.

**ПРИМЕЧАНИЕ:** Положение кнопки беспроводной активации различается в зависимости от инструмента.

**ПРИМЕЧАНИЕ:** Пылесос запускается нажатием кнопки питания, когда выключатель режима ожидания установлен в положение «АУТО» (автоматический).

Однако кнопка питания не сработает, если используется функция беспроводной активации.

## Регистрация инструмента для пылесоса

**ПРИМЕЧАНИЕ:** Для регистрации инструмента необходим инструмент Makita, поддерживающий функцию беспроводной активации.

**ПРИМЕЧАНИЕ:** Перед началом регистрации инструмента завершите установку беспроводного блока в инструмент.

**ПРИМЕЧАНИЕ:** Во время регистрации инструмента не тяните за триггерный переключатель инструмента и не включайте переключатель питания на пылесосе.

**ПРИМЕЧАНИЕ:** См. также руководство по эксплуатации инструмента.

Если необходимо активировать пылесос одновременно с переключением инструмента, сначала завершите регистрацию инструмента.

1. Установите аккумуляторы в пылесос и инструмент.
2. Установите выключатель режима ожидания на пылесосе в положение «АУТО» (автоматический).

- **Рис.10:** 1. Выключатель режима ожидания

3. Нажмите и удерживайте кнопку беспроводной активации на пылесосе в течение 3 секунд, пока лампа беспроводной активации не замигает зеленым цветом. Затем таким же образом нажмите кнопку беспроводной активации на инструменте.

- **Рис.11:** 1. Кнопка беспроводной активации  
2. Лампа беспроводной активации

Если пылесос и инструмент надежно соединены друг с другом, то лампы беспроводной активации будут гореть зеленым светом в течение 2 секунд, затем начнут мигать синим цветом.

**ПРИМЕЧАНИЕ:** Через 20 секунд лампы беспроводной активации связи закончат мигать зеленым цветом. Если на пылесосе мигает лампа беспроводной активации, нажмите кнопку беспроводной активации на инструменте. Если лампа беспроводной активации не мигает зеленым цветом, нажмите кнопку беспроводной активации на короткое время, а затем снова удерживайте ее.

**ПРИМЕЧАНИЕ:** При выполнении двух или более регистраций инструмента для пылесоса завершите регистрацию инструмента одну за другой.

## Запуск функции беспроводной активации

**ПРИМЕЧАНИЕ:** Для беспроводной активации завершите регистрацию инструмента для пылесоса.

**ПРИМЕЧАНИЕ:** Всегда размещайте пылесос так, чтобы можно было видеть состояние лампы беспроводной активации.

**ПРИМЕЧАНИЕ:** См. также руководство по эксплуатации инструмента.

После регистрации инструмента для пылесоса можно использовать переключатель инструмента для автоматического запуска пылесоса.

1. Установите беспроводной блок в инструмент.
2. Подсоедините шланг пылесоса к инструменту.  
► **Рис.12**
3. Установите выключатель режима ожидания на пылесосе в положение «АУТО» (автоматический).  
► **Рис.13:** 1. Выключатель режима ожидания
4. На короткое время нажмите кнопку беспроводной активации на инструменте. Лампа беспроводной активации мигает синим цветом.  
► **Рис.14:** 1. Кнопка беспроводной активации  
2. Лампа беспроводной активации
5. Потяните триггерный переключатель инструмента. Проверьте, работает ли пылесос при нажатии триггерного переключателя на инструменте.

Для отключения беспроводной активации нажмите кнопку беспроводной активации на инструменте или переведите выключатель режима ожидания на пылесосе в положение "I" или "O".

**ПРИМЕЧАНИЕ:** Если в течение 2 часов не будет выполняться никаких действий, то лампа беспроводной активации на инструменте перестанет мигать синим цветом. В этом случае установите выключатель режима ожидания на пылесосе в положение «АУТО» (автоматический) и снова нажмите кнопку беспроводной активации на инструменте.

**ПРИМЕЧАНИЕ:** Пылесос запускается/останавливается с задержкой. Когда пылесос обнаруживает переключение выключателя инструмента, возникает временная задержка.

**ПРИМЕЧАНИЕ:** Дальность передачи беспроводного блока может варьироваться в зависимости от местоположения и окружающих предметов.

**ПРИМЕЧАНИЕ:** Если на одном пылесосе зарегистрировано два или несколько инструментов, пылесос может начать работать, даже если триггерный переключатель не нажат, поскольку другой пользователь использует функцию беспроводной активации.

## Отмена регистрации инструмента для пылесоса

При отмене регистрации инструмента для пылесоса выполните следующую процедуру.

1. Установите аккумуляторы в пылесос и инструмент.
2. Установите выключатель режима ожидания на пылесосе в положение «АУТО» (автоматический).  
► **Рис.15:** 1. Выключатель режима ожидания
3. Нажмите и удерживайте кнопку беспроводной активации на пылесосе в течение 6 секунд. Лампа беспроводной активации мигает зеленым, а затем переключается на красный цвет. После этого нажмите кнопку беспроводной активации на инструменте таким же образом.  
► **Рис.16:** 1. Кнопка беспроводной активации  
2. Лампа беспроводной активации

Если отмена выполнена успешно, лампы беспроводной активации загорятся красным цветом на 2 секунды и начнут мигать синим цветом.

**ПРИМЕЧАНИЕ:** По истечении 20 секунд лампы беспроводной активации прекращают мигать красным цветом. Если на пылесосе мигает лампа беспроводной активации, нажмите кнопку беспроводной активации на инструменте. Если лампа беспроводной активации не мигает красным цветом, нажмите кнопку беспроводной активации на короткое время, а затем снова удерживайте ее.

## Удаление всех записей регистрации инструмента

Вы можете удалить все записи регистрации инструмента для пылесоса следующим образом.

- **Рис.17:**
1. Выключатель режима ожидания
  2. Кнопка беспроводной активации
  3. Лампа беспроводной активации

1. Установите аккумуляторы в пылесос.
2. Установите выключатель режима ожидания в положение «АUTO» (автоматический).
3. Удерживайте кнопку беспроводной активации в течение приблизительно 6 секунд, пока лампа беспроводной активации не замигает красным цветом (приблизительно дважды в секунду).

4. Когда лампа беспроводной активации начнет мигать красным цветом, отпустите кнопку беспроводной активации. После этого снова удерживайте кнопку беспроводной активации приблизительно 6 секунд.

5. Когда лампа беспроводной активации начнет быстро мигать (приблизительно 5 раз в секунду) красным цветом, отпустите кнопку беспроводной активации. Когда лампа беспроводной активации загорается красным и позже гаснет, это означает, что все записи регистрации удалены.

**ПРИМЕЧАНИЕ:** Если лампа беспроводной активации не мигает красным цветом, нажмите кнопку беспроводной активации на короткое время и попробуйте снова.

## Описание статуса лампы беспроводной активации

- **Рис.18:**
1. Кнопка беспроводной активации
  2. Лампа беспроводной активации

Лампа беспроводной активации отображает состояние функции беспроводной активации. Значения состояния лампы см. в таблице ниже.

Состояние	Лампа беспроводной активации			Продолжительность	Описание
	Цвет	<input type="checkbox"/> Вкл	<input type="checkbox"/> Мигает		
Ожидание	Синий	<input checked="" type="checkbox"/>		Пылесос: постоянно Инструмент: 2 часа	Ожидание регистрации инструмента, или функция беспроводной активации доступна. Лампа на пылесосе мигает, когда выключатель режима ожидания установлен в положение «АUTO» (автоматический). Лампа на инструменте мигает, когда нажата кнопка беспроводной активации. Если в течение 2 часов не будет выполняться никаких операций, лампа на инструменте автоматически выключится.
		<input type="checkbox"/>		Пока инструмент работает.	Доступна беспроводная активация пылесоса, инструмент работает.
Регистрация инструмента	Зеленый	<input checked="" type="checkbox"/>		20 секунд	Готовность к регистрации инструмента. Поиск инструмента для регистрации.
		<input type="checkbox"/>		2 секунды	Регистрация инструмента завершена. Лампа беспроводной активации начнет мигать синим цветом.
Отмена/удаление регистрации инструмента	Красный	<input checked="" type="checkbox"/>	(медленно: 2 раза/с)	20 секунд	Готовность к отмене регистрации инструмента. Поиск инструмента для отмены.
		<input checked="" type="checkbox"/>	(быстро: 5 раз/с)	Когда нажата кнопка беспроводной активации.	Готовность удалить все записи регистрации инструментов.
		<input type="checkbox"/>		2 секунды	Регистрация инструмента отменена/удалена. Лампа беспроводной активации начнет мигать синим цветом.
Прочие	Красный	<input type="checkbox"/>		3 секунды	На беспроводной блок подается питание, и запускается функция беспроводной активации.
		Выкл	-	-	Выключатель режима ожидания не установлен в положение «АUTO» (автоматический).

## Поиск и устранение неисправностей для функции беспроводной активации

Прежде чем обращаться по поводу ремонта, проведите осмотр самостоятельно. Если обнаружена неисправность, не указанная в руководстве, не пытайтесь разобрать инструмент. Обратитесь в один из авторизованных сервисных центров Makita, в которых для ремонта всегда используются оригинальные детали Makita.

Состояние неисправности	Возможная причина (неисправности)	Способ устранения
Лампа беспроводной активации не горит/мигает.	Беспроводной блок не установлен в инструмент. Беспроводной блок неправильно установлен в инструмент.	Установите беспроводной блок в инструмент надлежащим образом.
	Грязь на клемме беспроводного блока и/или гнезда.	Аккуратно вытрите пыль и грязь на клемме беспроводного блока и очистите гнездо инструмента.
	Не нажата кнопка беспроводной активации на инструменте.	На короткое время нажмите кнопку беспроводной активации на инструменте.
	Выключатель режима ожидания на пылесосе не установлен в положение «АВТО» (автоматический).	Установите выключатель режима ожидания на пылесосе в положение «АВТО» (автоматический).
	Отсутствует электропитание	Подайте питание на инструмент и пылесос.
Не удается успешно завершить регистрацию/отмену регистрации инструмента.	Беспроводной блок не установлен в инструмент. Беспроводной блок неправильно установлен в инструмент.	Установите беспроводной блок в инструмент надлежащим образом.
	Грязь на клемме беспроводного блока и/или гнезда.	Аккуратно вытрите пыль и грязь на клемме беспроводного блока и очистите гнездо инструмента.
	Выключатель режима ожидания на пылесосе не установлен в положение «АВТО» (автоматический).	Установите выключатель режима ожидания на пылесосе в положение «АВТО» (автоматический).
	Отсутствует электропитание	Подайте питание на инструмент и пылесос.
	Неверная операция	На короткое время нажмите кнопку беспроводной активации и снова выполните процедуру регистрации/отмены.
	Большое расстояние между инструментом и пылесосом (вне диапазона передачи).	Расположите инструмент и пылесос ближе друг к другу. Максимальное расстояние передачи составляет приблизительно 10 м, однако оно может изменяться в зависимости от обстоятельств.
	Перед завершением регистрации инструмента/отмены; - был вытянут триггерный переключатель на инструменте или; - нажата кнопка питания на пылесосе.	На короткое время нажмите кнопку беспроводной активации и снова выполните процедуру регистрации/отмены.
	Процедура регистрации инструмента для инструмента или пылесоса не завершена.	Одновременно выполните процедуры регистрации инструмента для инструмента и для пылесоса.
Радиопомехи от других приборов, которые генерируют радиоволны высокой интенсивности.	Избегайте эксплуатации инструмента и пылесоса рядом с такими приборами, как устройства Wi-Fi и микроволновые печи.	

Состояние неисправности	Возможная причина (неисправности)	Способ устранения
Пылесос не работает при использовании переключателя инструмента.	Беспроводной блок не установлен в инструмент. Беспроводной блок неправильно установлен в инструмент.	Установите беспроводной блок в инструмент надлежащим образом.
	Грязь на клемме беспроводного блока и/или гнезда.	Аккуратно вытрите пыль и грязь на клемме беспроводного блока и очистите гнездо инструмента.
	Не нажата кнопка беспроводной активации на инструменте.	На короткое время нажмите кнопку беспроводной активации и убедитесь в том, что лампа беспроводной активации мигает синим цветом.
	Выключатель режима ожидания на пылесосе не установлен в положение «АУТО» (автоматический).	Установите выключатель режима ожидания на пылесосе в положение «АУТО» (автоматический).
	В пылесосе зарегистрировано более 10 инструментов.	Выполните повторную регистрацию инструмента. Если в пылесосе зарегистрировано более 10 инструментов, инструмент, зарегистрированный самым первым, будет автоматически отменен.
	Пылесос удалил все записи регистрации инструментов.	Выполните повторную регистрацию инструмента.
	Отсутствует электропитание	Подайте питание на инструмент и пылесос.
	Большое расстояние между инструментом и пылесосом (вне диапазона передачи).	Расположите инструмент и пылесос ближе друг к другу. Максимальное расстояние передачи составляет приблизительно 10 м, однако оно может изменяться в зависимости от обстоятельств.
	Радиопомехи от других приборов, которые генерируют радиоволны высокой интенсивности.	Избегайте эксплуатации инструмента и пылесоса рядом с такими приборами, как устройства Wi-Fi и микроволновые печи.
Пылесос работает, хотя триггерный переключатель инструмента не был вытянут.	Другие пользователи используют беспроводную активацию пылесоса с помощью своих инструментов.	Отключите кнопку беспроводной активации других инструментов или отмените регистрацию инструмента для других инструментов.
Не удается удалить все записи регистрации в пылесосе.	Нажатие кнопки беспроводной активации на инструменте.	Для удаления всех записей регистрации инструментов нажмите кнопку беспроводной активации на пылесосе.
	Выключатель режима ожидания на пылесосе не установлен в положение «АУТО» (автоматический).	Установите выключатель режима ожидания на пылесосе в положение «АУТО» (автоматический).
	Кнопка беспроводной активации удерживается неправильно.	Удерживайте кнопку беспроводной активации более 6 секунд, затем отпустите ее, когда лампа беспроводной активации будет мигать красным цветом. Повторно удерживайте кнопку беспроводной активации более 6 секунд до тех пор, пока она не начнет быстро мигать красным цветом, затем отпустите кнопку.

## ОПИСАНИЕ ДЕТАЛЕЙ

► Рис. 19: 1. Крышка бака 2. Пылевой фильтр (HEPA) 3. Демпфер 4. Фильтр предварительной очистки 5. Бак

## СБОРКА

**⚠ВНИМАНИЕ:** Перед проведением каких-либо работ с инструментом обязательно убедитесь, что инструмент отключен, а блок аккумулятора снят.

**⚠ВНИМАНИЕ:** Всегда надевайте защитную маску при сборке или техническом обслуживании.

## Установка пылевого фильтра (HEPA) и фильтра предварительной очистки (для сухой пыли)

**⚠ВНИМАНИЕ:** Не собирайте воду или другие жидкости, или влажную пыль при использовании пылевого фильтра. Это может привести к повреждению пылевого фильтра.

Для использования пылевого фильтра:

1. Установите фильтр предварительной очистки в бак, совместив метки установочного положения.
2. Установите демпфер на фильтр, а затем установите их в фильтр предварительной очистки, совместив метки установочного положения.

3. Затем установите крышку бака и зафиксируйте ее.

► **Рис.20:** 1. Крышка бака 2. Пылевой фильтр (HEPA) 3. Демпфер 4. Фильтр предварительной очистки 5. Бак 6. Установочные метки

**ПРИМЕЧАНИЕ:** Перед использованием пылевого фильтра убедитесь, что установлены фильтр предварительной очистки и демпфер. Запрещается устанавливать только пылевой фильтр.

## Установка бумажного пакета

### Дополнительные принадлежности

**▲ОСТОРОЖНО:** При использовании бумажного пакета используйте также фильтр предварительной очистки, предварительно установленный на инструменте. Неиспользование фильтра предварительной очистки может стать причиной нетипичного шума и нагрева, что приведет к возгоранию.

**▲ВНИМАНИЕ:** Перед использованием бумажного пакета убедитесь, что установлены пылевой фильтр, демпфер и фильтр предварительной очистки.

1. Снимите резиновый держатель.

► **Рис.21:** 1. Резиновый держатель

2. Разверните бумажный пакет.

3. Совместите отверстие бумажного пакета с отверстием всасывания пыли на пылесосе.

4. Установите картонную часть бумажного пакета на держатель таким образом, чтобы она выходила за патрубок.

► **Рис.22:** 1. Бумажный пакет 2. Держатель

## Установка полиэтиленового мешка

Пылесос можно использовать без полиэтиленового мешка. Однако применение полиэтиленового мешка облегчает опорожнение бака, при этом вы не испачкаете руки.

Разверните полиэтиленовый мешок в баке. Вставьте его между стопорной пластиной и баком и натяните на входное отверстие шланга.

► **Рис.23:** 1. Стопорная пластина  
2. Полиэтиленовый мешок

Натяните мешок на верхнюю часть бака так, чтобы кромка фильтра предварительной очистки надежно удерживала мешок.

► **Рис.24:** 1. Фильтр предварительной очистки

**ПРИМЕЧАНИЕ:** Допускается использование полиэтиленовых мешков, имеющих в продаже. Рекомендуется применять мешки из полиэтилена толщиной 0,04 мм или более.

**ПРИМЕЧАНИЕ:** Большое количество пыли легко порвет мешок, поэтому не заполняйте мешок более чем до половины.

## Очистка полиэтиленового мешка

**▲ОСТОРОЖНО:** Прежде чем опорожнить мешок, убедитесь, что инструмент отключен, а блок аккумулятора извлечен. Несоблюдение этого требования может стать причиной поражения электрическим током и тяжелых травм.

**▲ВНИМАНИЕ:** Не стучите сильно по баку. Сильный удар может вызвать деформацию и повреждение деталей.

**▲ВНИМАНИЕ:** Опорожняйте бак не реже одного раза в день, хотя это определяется объемом пыли в баке. В противном случае мощность всасывания снизится, и электродвигатель может выйти из строя.

**▲ВНИМАНИЕ:** Опорожняя бак, не беритесь за фиксатор. Фиксатор может отломиться.

Отсоедините и поднимите крышку бака. Вытряхните пыль из фильтра предварительной очистки, затем извлеките из бака полиэтиленовый мешок.

► **Рис.25**

**ПРИМЕЧАНИЕ:** Осторожно извлеките полиэтиленовый пакет из бака, чтобы при опорожнении пакет зацепился за выступ внутри бака и не порвался.

**ПРИМЕЧАНИЕ:** Опорожните полиэтиленовый пакет, прежде чем он заполнится полностью. Слишком большое количество пыли в баке может привести к разрыву пакета.

## Установка ящика для инструментов

1. Освободите фиксатор крышки отсека аккумулятора и откройте крышку.

2. Совместите направляющие ящика для инструментов с пазами на корпусе.

3. Закройте крышку отсека аккумулятора и заблокируйте ее.

► **Рис.26**

Ящик для инструментов удобен для переноски аккумуляторов, труб или манжет.

► **Рис.27**



## Подсоединение шланга

**ПРИМЕЧАНИЕ:** Запрещается сильно гнуть шланг и наступать на него. Запрещается тянуть пылесос за шланг. Чрезмерные усилия, наступание и перемещение пылесоса за шланг могут привести к поломке или деформации шланга.

**ПРИМЕЧАНИЕ:** При сборе крупного мусора, например стружки, цементной пыли и т.п., используйте шланг с внутренним диаметром 38 мм (дополнительное оборудование). При использовании шланга с внутренним диаметром 28 мм (дополнительное оборудование) возможно его засорение и повреждение.

Наденьте шланг на установочное отверстие бака и поверните по часовой стрелке до фиксации.

► Рис.28

## ОБСЛУЖИВАНИЕ

**ВНИМАНИЕ:** Перед проведением проверки или работ по техобслуживанию всегда проверяйте, что инструмент выключен, а блок аккумуляторов снят.

**ПРИМЕЧАНИЕ:** Запрещается использовать бензин, растворители, спирт и другие подобные жидкости. Это может привести к обесцвечиванию, деформации и трещинам.

## Хранение дополнительного оборудования

Трубы можно вставить в держатель при временной остановке работы.

► Рис.29

► Рис.30

Шланг можно хранить, обернув его вокруг инструмента и соединив концы.

► Рис.31

## Очистка фильтра предварительной очистки и пылевого фильтра (HEPA)

Засорение пылевого фильтра, фильтра предварительной очистки и демпфера может привести к снижению мощности всасывания. Периодически очищайте фильтры и демпферы.

Для удаления пыли и частиц, налипших на фильтры, несколько раз сильно встряхните дно.

► Рис.32

Периодически промывайте пылевой фильтр водой, прополаскивая и тщательно просушивая перед использованием. Запрещается мыть фильтры в стиральной машине.

**ПРИМЕЧАНИЕ:** Не трите и не скребите пылевой фильтр, фильтр предварительной очистки или демпфер твердыми предметами, такими как щетка или скребок.

**ПРИМЕЧАНИЕ:** Со временем фильтры изнашиваются. Рекомендуется приобрести запасные фильтры.

Для обеспечения БЕЗОПАСНОСТИ и НАДЕЖНОСТИ оборудования ремонт, любое другое техобслуживание или регулировку необходимо производить в уполномоченных сервис-центрах Makita или сервис-центрах предприятия с использованием только сменных частей производства Makita.

## ДОПОЛНИТЕЛЬНЫЕ ПРИНАДЛЕЖНОСТИ

**ВНИМАНИЕ:** Данные принадлежности или приспособления рекомендуются для использования с инструментом Makita, указанным в настоящем руководстве. Использование других принадлежностей или приспособлений может привести к получению травмы. Используйте принадлежность или приспособление только по указанному назначению.

Если вам необходимо содействие в получении дополнительной информации по этим принадлежностям, свяжитесь с вашим сервис-центром Makita.

- Шланг
- Передний патрубок (22, 24, 38)
- Прямая труба
- Угловая насадка
- Круглая щетка
- Пылевой фильтр, HEPA (для сухой пыли)
- Демпфер
- Фильтр предварительной очистки
- Патрубок в сборе
- Изогнутая труба
- Полиэтиленовый мешок
- Бумажный пакет
- Комплект держателя
- Оригинальный аккумулятор и зарядное устройство Makita

**ПРИМЕЧАНИЕ:** Некоторые элементы списка могут входить в комплект инструмента в качестве стандартных приспособлений. Они могут отличаться в зависимости от страны.





**Makita Europe N.V.** Jan-Baptist Vinkstraat 2,  
3070 Kortenberg, Belgium

**Makita Corporation** 3-11-8, Sumiyoshi-cho,  
Anjo, Aichi 446-8502 Japan

[www.makita.com](http://www.makita.com)

885608-984  
EN, SV, NO, FI, LV,  
LT, ET, RU  
20170621