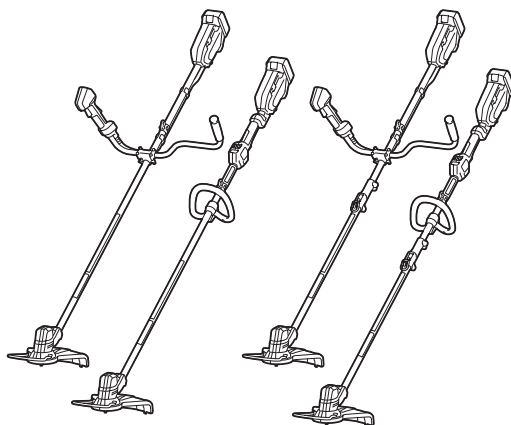
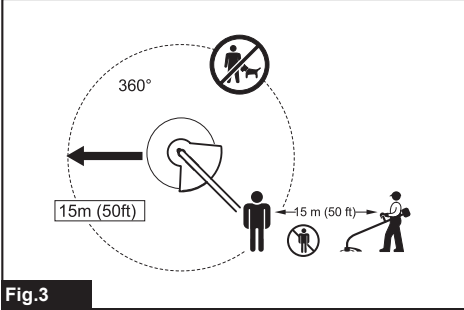
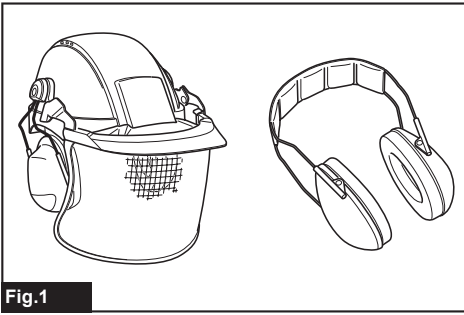


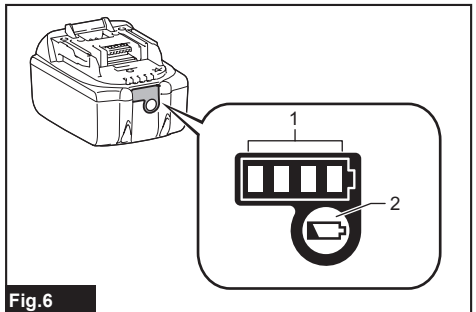
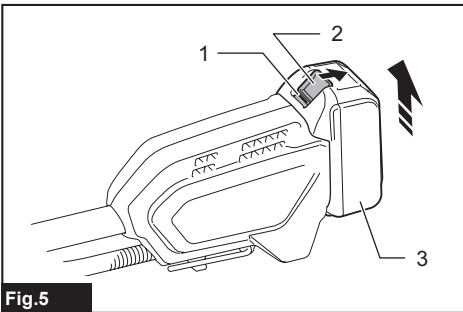
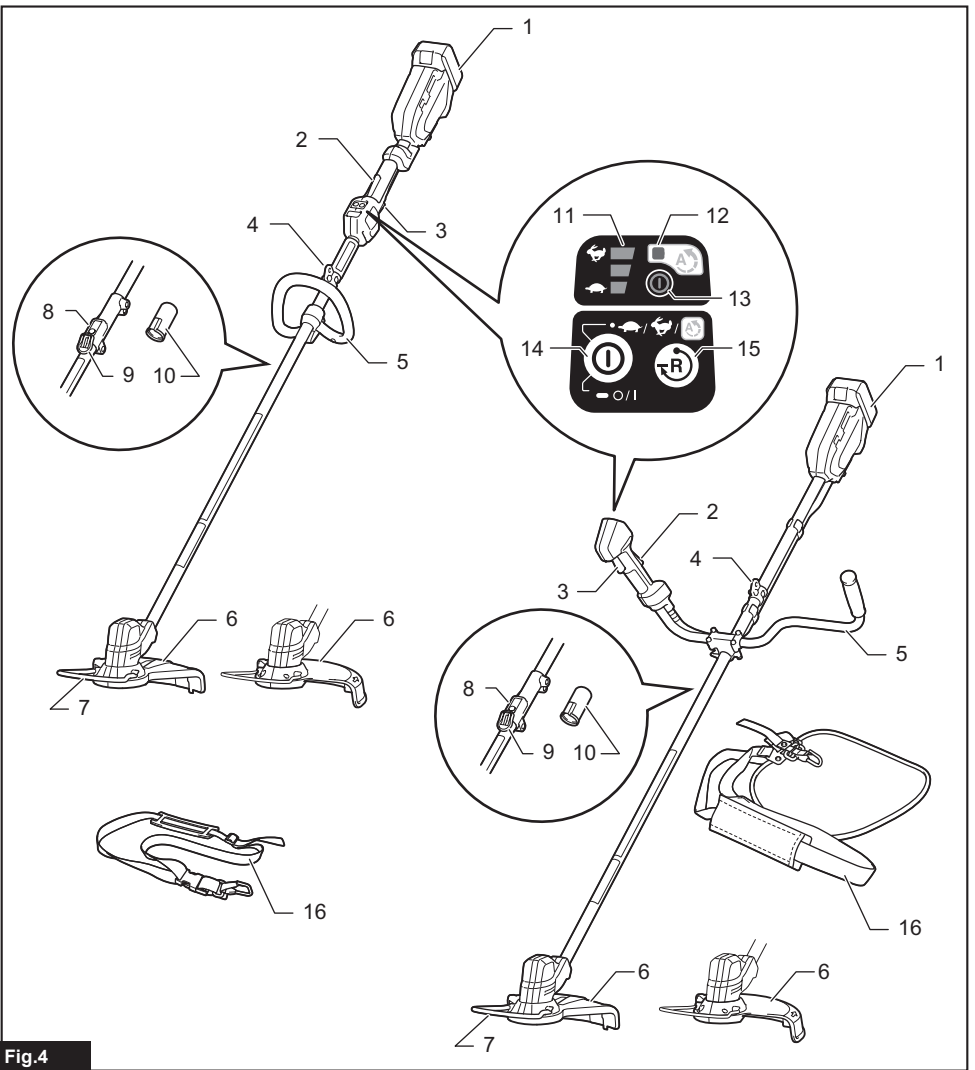


EN	Cordless Grass Trimmer	INSTRUCTION MANUAL	10
SV	Batteridrivnen grästrimmer	BRUKSANVISNING	20
NO	Batteridrevet gresstrimmer	BRUKSANVISNING	30
FI	Akkukäyttöinen viimeistelyleikkuri	KÄYTTÖOHJE	40
LV	Bezvada zāles apgriezējmašīna	LIETOŠANAS INSTRUKCIJA	50
LT	Belaidė žoliapjovė	NAUDOJIMO INSTRUKCIJA	60
ET	Akuga murutrimmer	KASUTUSJUHEND	70
RU	Аккумуляторная коса	РУКОВОДСТВО ПО ЭКСПЛУАТАЦИИ	80

DUR187U
DUR187L
DUR188U
DUR188L







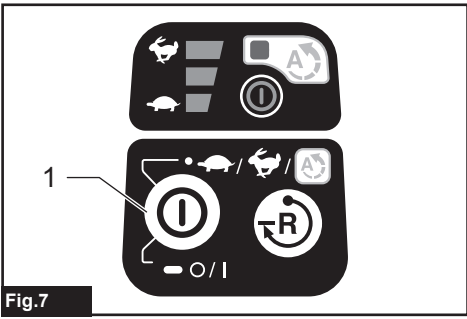


Fig.7

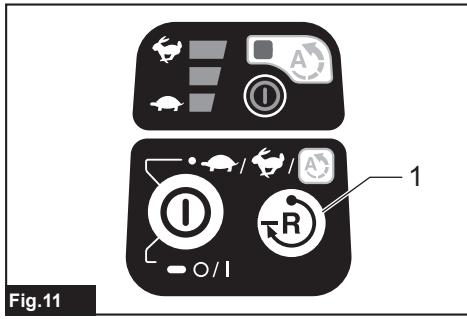


Fig.11

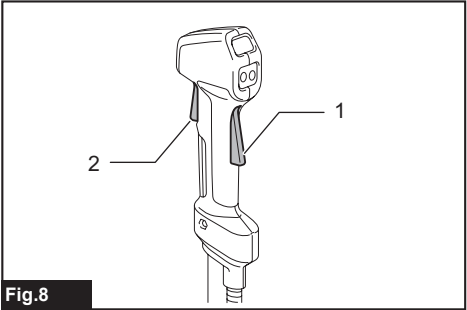


Fig.8

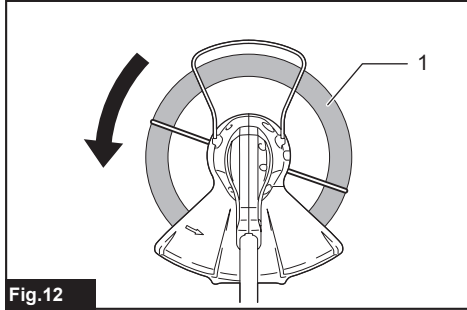


Fig.12

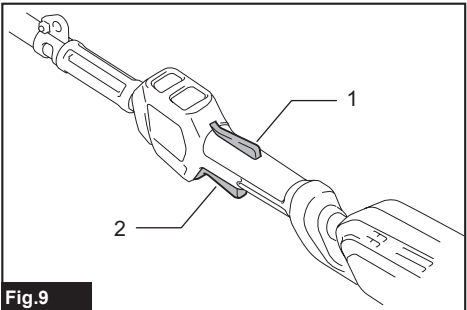


Fig.9

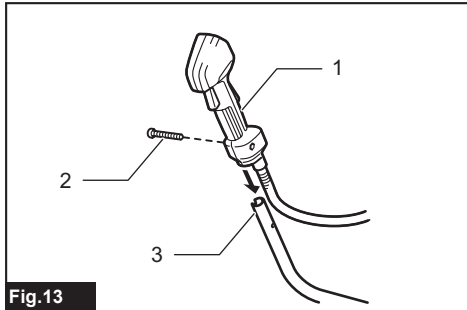


Fig.13

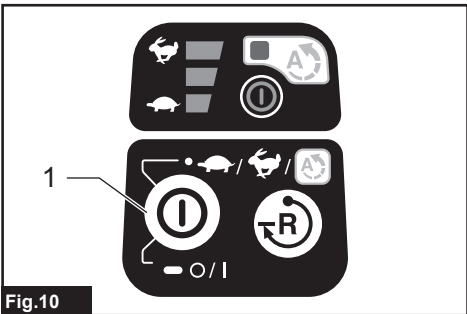


Fig.10

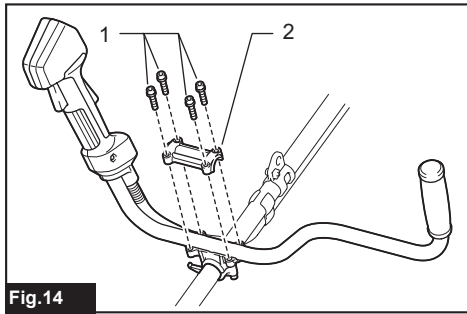


Fig.14

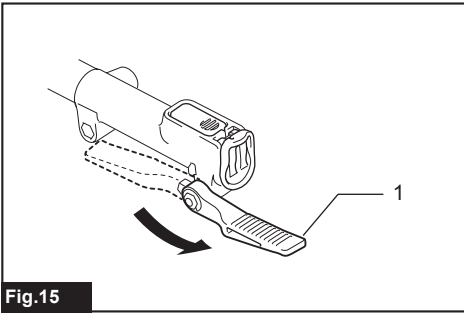


Fig.15

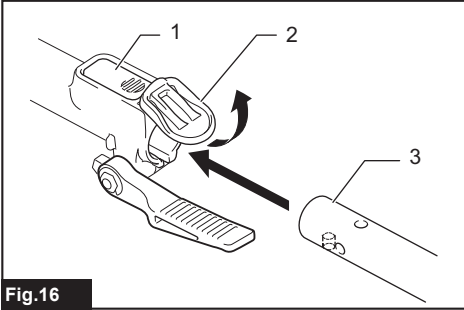


Fig.16

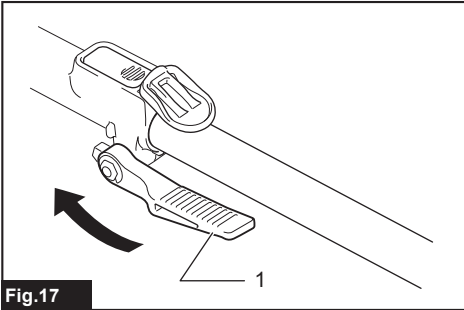


Fig.17

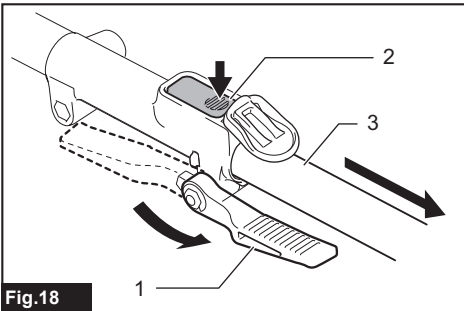


Fig.18

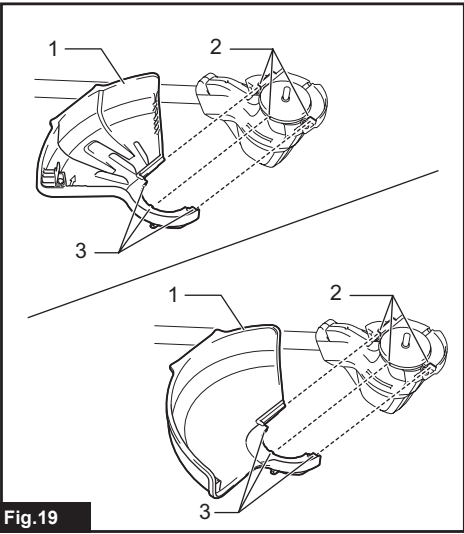


Fig.19

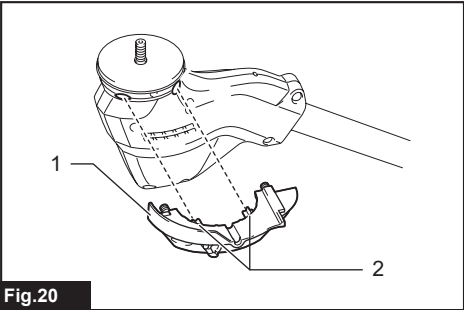


Fig.20

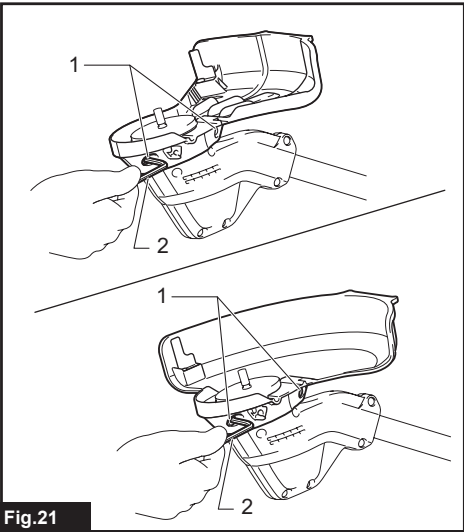


Fig.21

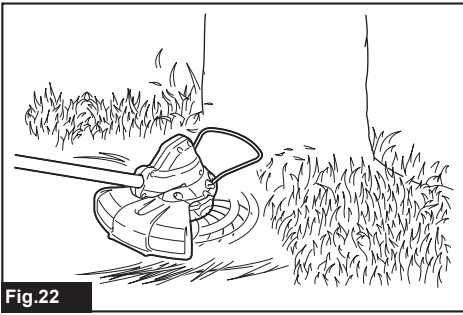


Fig.22

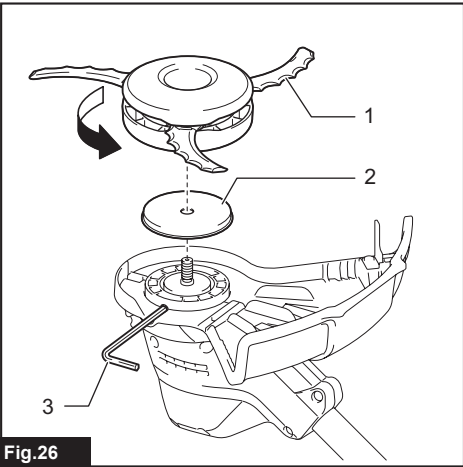


Fig.26

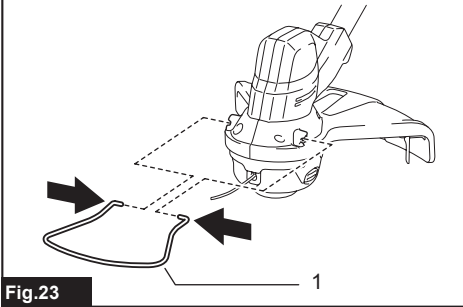


Fig.23

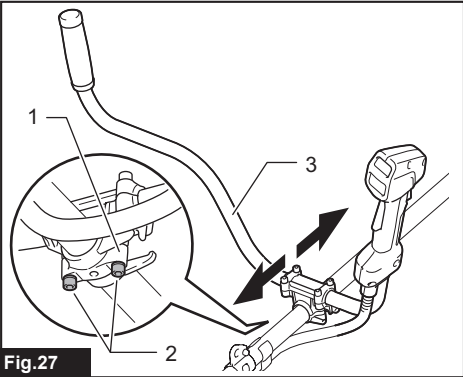


Fig.27

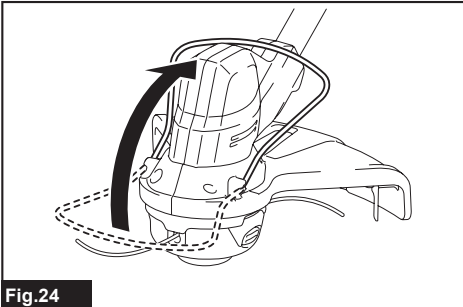


Fig.24

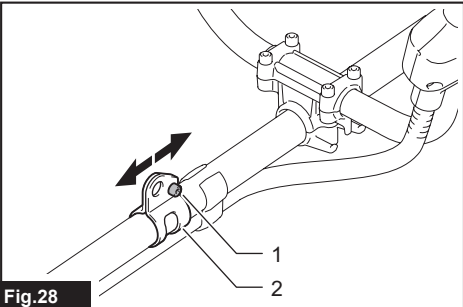


Fig.28

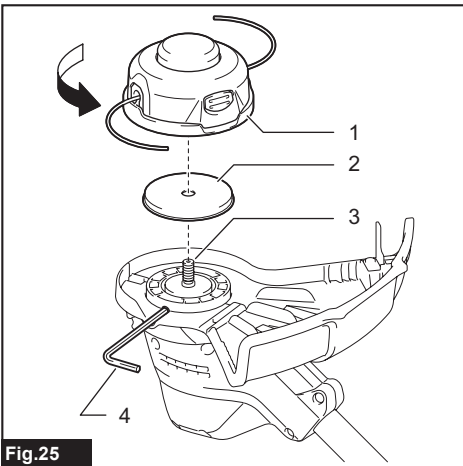


Fig.25

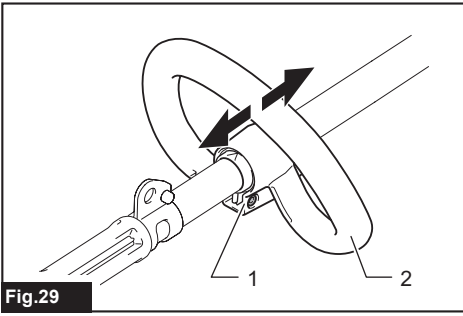


Fig.29

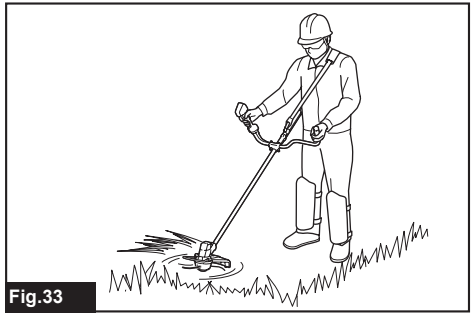


Fig.33

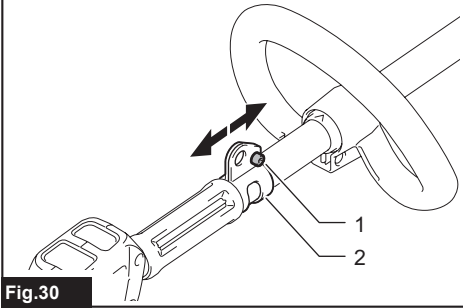


Fig.30

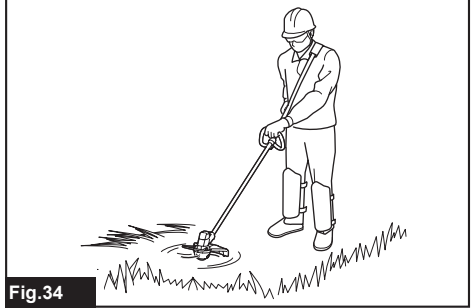


Fig.34

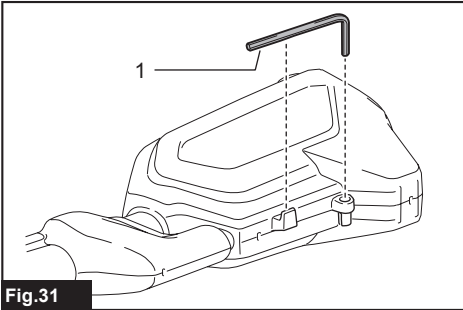


Fig.31

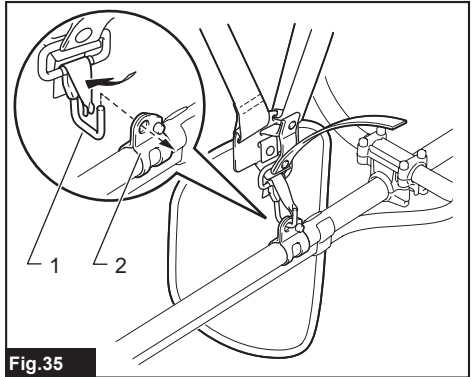


Fig.35

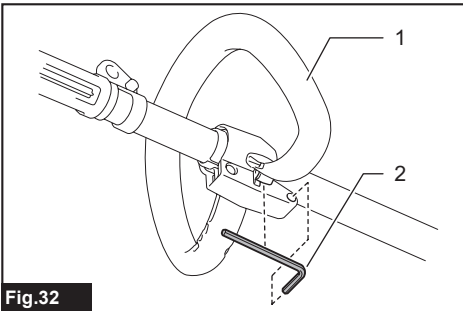


Fig.32

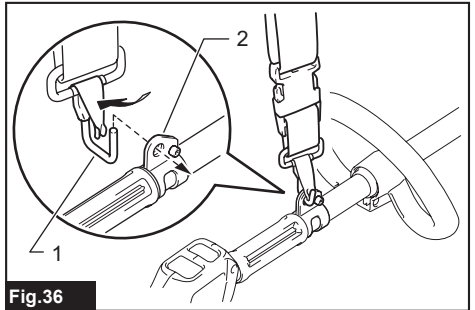


Fig.36

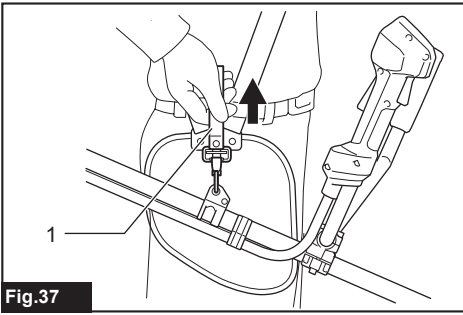


Fig.37

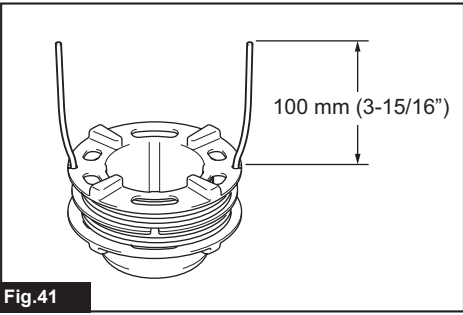


Fig.41

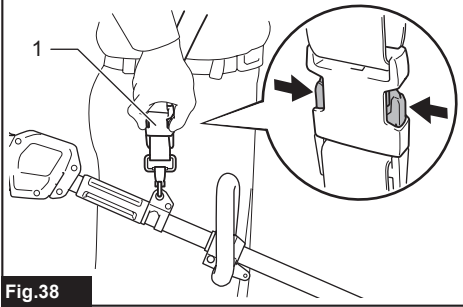


Fig.38

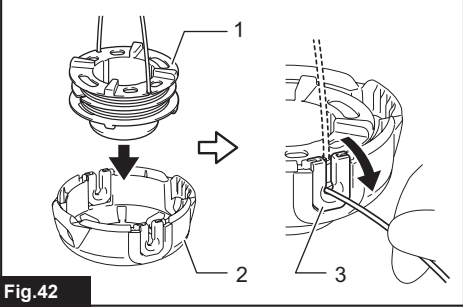


Fig.42

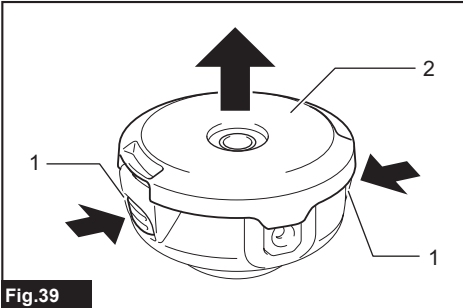


Fig.39

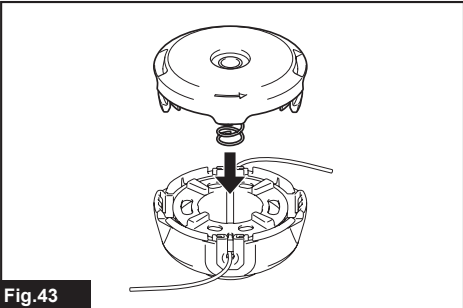


Fig.43

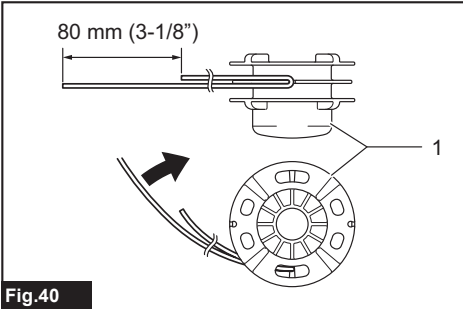


Fig.40

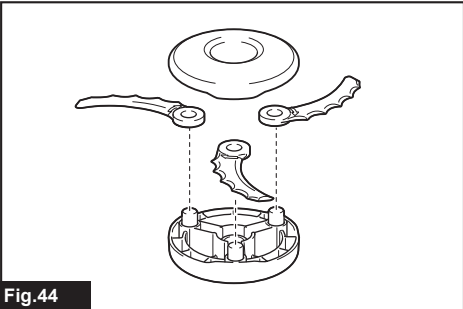


Fig.44

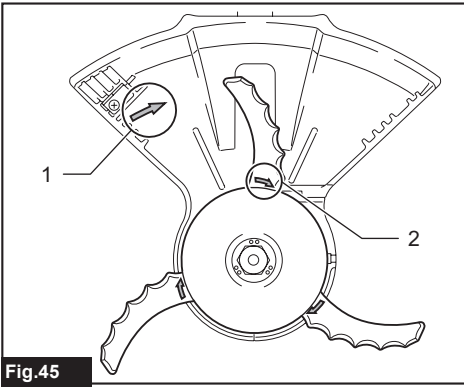


Fig.45

SPECIFICATIONS

Model:		DUR187U	DUR187L	DUR188U	DUR188L
Type of handle		Bike handle	Loop handle	Bike handle	Loop handle
No load speed		4,000/5,000/6,000 min ⁻¹			
Overall length (without cutting tool)		1,791 mm			
Nylon cord diameter		2.0 - 2.4 mm			
Applicable cutting tool and cutting diameter	Nylon cutting head (P/N 123932-5)	300 mm			
	Plastic blade (P/N 123954-5)	255 mm			
Rated voltage		D.C. 18 V			
Net weight (when using BL1830B)	with nylon cutting head	3.8 kg	3.6 kg	4.1 kg	3.9 kg
	with plastic blade	3.9 kg	3.6 kg	4.1 kg	3.9 kg
Battery cartridge		BL1815N, BL1820, BL1820B, BL1830, BL1830B, BL1840, BL1840B, BL1850, BL1850B, BL1860B			

- Due to our continuing program of research and development, the specifications herein are subject to change without notice.
- Specifications and battery cartridge may differ from country to country.
- Weight, with battery cartridge, according to EPTA-Procedure 01/2003

Noise

Applicable standard : 2000/14/EC

Model	Type	Sound pressure level average	Sound power level average	
		L _{PA} (dB(A))	L _{WA} (dB(A))	Uncertainty K (dB(A))
DUR187U	Nylon cutting head	74	84	6.0
	Plastic blade	79	88	0.8
DUR187L	Nylon cutting head	74	84	6.0
	Plastic blade	79	88	0.8
DUR188U	Nylon cutting head	74	84	6.0
	Plastic blade	79	88	0.8
DUR188L	Nylon cutting head	74	84	6.0
	Plastic blade	79	88	0.8

- Even if the sound pressure level listed above is 80 dB (A) or less, the level under working may exceed 80 dB (A). Wear ear protection.

Vibration

Applicable standard : EN50636-2-91

Model	Type	Left hand		Right hand	
		a _{h,w} (m/s ²)	Uncertainty K (m/s ²)	a _{h,w} (m/s ²)	Uncertainty K (m/s ²)
DUR187U	Nylon cutting head	≤ 2.5	1.5	≤ 2.5	1.5
	Plastic blade	≤ 2.5	1.5	≤ 2.5	1.5
DUR187L	Nylon cutting head	≤ 2.5	1.5	≤ 2.5	1.5
	Plastic blade	≤ 2.5	1.5	≤ 2.5	1.5

DUR188U	Nylon cutting head	≤ 2.5	1.5	≤ 2.5	1.5
	Plastic blade	≤ 2.5	1.5	≤ 2.5	1.5
DUR188L	Nylon cutting head	≤ 2.5	1.5	≤ 2.5	1.5
	Plastic blade	≤ 2.5	1.5	≤ 2.5	1.5

NOTE: The declared vibration emission value has been measured in accordance with the standard test method and may be used for comparing one tool with another.

NOTE: The declared vibration emission value may also be used in a preliminary assessment of exposure.

⚠ WARNING: The vibration emission during actual use of the power tool can differ from the declared emission value depending on the ways in which the tool is used.

⚠ WARNING: Be sure to identify safety measures to protect the operator that are based on an estimation of exposure in the actual conditions of use (taking account of all parts of the operating cycle such as the times when the tool is switched off and when it is running idle in addition to the trigger time).

Symbols

The following show the symbols used for the equipment. Be sure that you understand their meaning before use.



Take particular care and attention.



Read instruction manual.



Danger; be aware of thrown objects.



The distance between the tool and bystanders must be at least 15 m.



Keep bystanders away.



Keep distance at least 15 m.



Wear a helmet, goggles and ear protection.



Wear protective gloves.



Wear sturdy boots with nonslip soles. Steelted safety boots are recommended.



Do not expose to moisture.



Top permissible tool speed.



Never use metal blade.



Only for EU countries
Do not dispose of electric equipment or battery pack together with household waste material! In observance of the European Directives, on Waste Electric and Electronic Equipment and Batteries and Accumulators and Waste Batteries and Accumulators and their implementation in accordance with national laws, electric equipment and batteries and battery pack(s) that have reached the end of their life must be collected separately and returned to an environmentally compatible recycling facility.

EC Declaration of Conformity

For European countries only

The EC declaration of conformity is included as Annex A to this instruction manual.

SAFETY WARNINGS

IMPORTANT SAFETY INSTRUCTIONS

⚠ WARNING: Read all safety warnings and all instructions. Failure to follow the warnings and instructions may result in electric shock, fire and/or serious injury.

Save all warnings and instructions for future reference.

1. Be familiar with the controls and proper use of the equipment.
2. Cutting elements continue to rotate after the motor is switched off.
3. Never allow children or people unfamiliar with the instructions to use the machine.
4. Stop using the machine while people, especially children, or pets are nearby.
5. Only use the machine in daylight or good artificial light.
6. Before using the machine and after any impact, check for signs of wear or damage and repair as necessary.
7. Take care against injury from any device fitted for trimming the filament line length. After extending new cutter line always return the machine to its normal operating position before switching on.
8. Never fit metal cutting elements.
9. This appliance is not intended for use by persons (including children) with reduced physical, sensory or mental capabilities, or lack of experience and knowledge, unless they have been given supervision or instruction concerning use of the appliance by a person responsible for their safety. Children should be supervised to ensure that they do not play with the appliance.

10. Use the tool with the utmost care and attention.
11. Operate the tool only if you are in good physical condition. Perform all work calmly and carefully. Use common sense and keep in mind that the operator or user is responsible for accidents or hazards occurring to other people or their property.
12. Never operate the tool when tired, feeling ill or under the influence of alcohol or drugs.
13. The tool should be switched off immediately if it shows any signs of unusual operation.
2. Before use always check that the tool is safe for operation. Check the security of the cutting tool and the guard and the switch trigger/lever for easy and proper action. Check for clean and dry handles and test the on/off function of the switch.
3. Check damaged parts before further use of the tool. A guard or other part that is damaged should be carefully checked to determine that it will operate properly and perform its intended function. Check for alignment of moving parts, binding of moving parts, breakage of parts, mounting, and any other condition that may affect its operation. A guard or other part that is damaged should be properly repaired or replaced by our authorized service center unless indicated elsewhere in this manual.

Intended use of the tool

1. Use right tool. The cordless grass trimmer is only intended for cutting grass, light weeds. It should not be used for any other purpose such as hedge cutting as this may cause injury.

Personal protective equipment

► Fig.1

► Fig.2

1. Dress Properly. The clothing worn should be functional and appropriate, i.e. it should be tight-fitting but not cause hindrance. Do not wear either jewelry or clothing which could become entangled with high grass. Wear protective hair covering to contain long hair.
2. When using the tool, always wear sturdy shoes with a non-slip sole. This protects against injuries and ensures a good footing.
3. Wear protective glasses or goggles.

Electrical and battery safety

1. Avoid dangerous environment. Don't use the tool in damp or wet locations or expose it to rain. Water entering the tool will increase the risk of electric shock.
2. Recharge only with the charger specified by the manufacturer. A charger that is suitable for one type of battery pack may create a risk of fire when used with another battery pack.
3. Use power tools only with specifically designated battery packs. Use of any other battery packs may create a risk of injury and fire.
4. When battery pack is not in use, keep it away from other metal objects, like paper clips, coins, keys, nails, screws or other small metal objects, that can make a connection from one terminal to another. Shorting the battery terminals together may cause burns or a fire.
5. Under abusive conditions, liquid may be ejected from the battery; avoid contact. If contact accidentally occurs, flush with water. If liquid contacts eyes, seek medical help. Liquid ejected from the battery may cause irritation or burns.
6. Do not dispose of the battery(ies) in a fire. The cell may explode. Check with local codes for possible special disposal instructions.
7. Do not open or mutilate the battery(ies). Released electrolyte is corrosive and may cause damage to the eyes or skin. It may be toxic if swallowed.

Starting up the tool

► Fig.3

1. Make sure that there are no children or other people within a working range of 15 meters (50 ft), also pay attention to any animals in the working vicinity. Otherwise stop using the tool.

4. Switch on the motor only when hands and feet are away from the cutting tool.
5. Before starting make sure that the cutting tool has no contact with hard objects such as branches, stones etc. as the cutting tool will revolve when starting.

Method of operation

1. Never operate the machine with damaged guards or without the guards in place.
2. Only use the tool in good light and visibility. During the winter season beware of slippery or wet areas, ice and snow (risk of slipping). Always ensure a safe footing.
3. Take care against injury to feet and hands from the cutting tool.
4. Keep hands and feet away from the cutting means at all times and especially when switching on the motor.
5. Never cut above waist height.
6. Never stand on a ladder and run the tool.
7. Never work on unstable surfaces.
8. Don't overreach. Keep proper footing and balance at all times.
9. Remove sand, stones, nails etc. found within the working range. Foreign particles may damage the cutting tool and can cause to be thrown away, resulting in a serious injury.
10. Should the cutting tool hit stones or other hard objects, immediately switch off the motor and inspect the cutting tool.
11. Before commencing cutting, the cutting tool must have reached full working speed.
12. During operation always hold the tool with both hands. Never hold the tool with one hand during use. Always ensure a safe footing.
13. All protective equipment such as guards supplied with the tool must be used during operation.
14. Except in case of emergency, never drop or cast the tool to the ground or this may severely damage the tool.
15. Never drag the tool on the ground when moving from place to place, the tool may become damaged if moved in this manner.
16. Always remove the battery cartridge from the tool:

- whenever leaving the tool unattended;
 - before clearing a blockage;
 - before checking, cleaning or working on the tool;
 - before making any adjustments, changing accessories or storing;
 - whenever the tool starts vibrating unusually;
 - whenever transporting the tool.
17. Don't force the tool. It will do the job better and with less likelihood of a risk of injury at the rate for which it was designed.
 18. Do not operate power tools in explosive atmospheres, such as in the presence of flammable liquids, gases or dust. Power tools create sparks which may ignite the dust or fumes.
 19. Take a rest to prevent loss of control caused by fatigue. We recommend to take a 10 to 20-minute rest every hour.

Maintenance instructions

1. The condition of the cutting tool, protective devices and shoulder strap must be checked before commencing work.
2. Turn off the motor and remove the battery cartridge before carrying out maintenance, replacing the cutting tool and cleaning the tool.
3. After use, disconnect the battery cartridge from the tool and check for damage.
4. Check for loose fasteners and damaged parts such as nearly halfway cut-off state in the cutting tool.
5. When not in use store the equipment in a dry location that is locked up or out of children's reach.
6. Use only the manufacturer's recommended replacement parts and accessories.
7. Always ensure that ventilation openings are kept clear of debris.
8. Inspect and maintain the tool regularly, especially before/after use. Have the tool repaired only by our authorized service center.
9. Keep handles dry, clean and free from oil and grease.

SAVE THESE INSTRUCTIONS.

⚠WARNING: DO NOT let comfort or familiarity with product (gained from repeated use) replace strict adherence to safety rules for the subject product. MISUSE or failure to follow the safety rules stated in this instruction manual may cause serious personal injury.

Important safety instructions for battery cartridge

1. Before using battery cartridge, read all instructions and cautionary markings on (1) battery charger, (2) battery, and (3) product using battery.
2. Do not disassemble battery cartridge.
3. If operating time has become excessively shorter, stop operating immediately. It may result in a risk of overheating, possible burns and even an explosion.

4. If electrolyte gets into your eyes, rinse them out with clear water and seek medical attention right away. It may result in loss of your eyesight.
5. Do not short the battery cartridge:
 - (1) Do not touch the terminals with any conductive material.
 - (2) Avoid storing battery cartridge in a container with other metal objects such as nails, coins, etc.
 - (3) Do not expose battery cartridge to water or rain.

A battery short can cause a large current flow, overheating, possible burns and even a breakdown.
6. Do not store the tool and battery cartridge in locations where the temperature may reach or exceed 50 °C (122 °F).
7. Do not incinerate the battery cartridge even if it is severely damaged or is completely worn out. The battery cartridge can explode in a fire.
8. Be careful not to drop or strike battery.
9. Do not use a damaged battery.
10. The contained lithium-ion batteries are subject to the Dangerous Goods Legislation requirements.

For commercial transports e.g. by third parties, forwarding agents, special requirement on packaging and labeling must be observed. For preparation of the item being shipped, consulting an expert for hazardous material is required. Please also observe possibly more detailed national regulations.

Tape or mask off open contacts and pack up the battery in such a manner that it cannot move around in the packaging.
11. Follow your local regulations relating to disposal of battery.

SAVE THESE INSTRUCTIONS.

⚠CAUTION: Only use genuine Makita batteries. Use of non-genuine Makita batteries, or batteries that have been altered, may result in the battery bursting causing fires, personal injury and damage. It will also void the Makita warranty for the Makita tool and charger.

Tips for maintaining maximum battery life

1. Charge the battery cartridge before completely discharged. Always stop tool operation and charge the battery cartridge when you notice less tool power.
2. Never recharge a fully charged battery cartridge. Overcharging shortens the battery service life.
3. Charge the battery cartridge with room temperature at 10 °C - 40 °C (50 °F - 104 °F). Let a hot battery cartridge cool down before charging it.
4. Charge the battery cartridge if you do not use it for a long period (more than six months).

PARTS DESCRIPTION

► Fig.4

1	Battery cartridge	2	Lock-off lever	3	Switch trigger	4	Hanger
5	Handle	6	Protector (cutting tool guard)	7	Wire guard	8	Lock lever (DUR188U and DUR188L only)
9	Joint cover (DUR188U and DUR188L only)	10	Cap (DUR188U and DUR188L only)	11	Speed indicator	12	Auto speed control indicator
13	Power lamp	14	Main power button	15	Reverse button	16	Shoulder harness

* The shape of the protector varies depending on the country.

FUNCTIONAL DESCRIPTION

⚠ WARNING: Always be sure that the tool is switched off and the battery cartridge is removed before adjusting or checking function on the tool. Failure to switch off and remove the battery cartridge may result in serious personal injury from accidental start-up.

Installing or removing battery cartridge

⚠ CAUTION: Always switch off the tool before installing or removing of the battery cartridge.

⚠ CAUTION: Hold the tool and the battery cartridge firmly when installing or removing battery cartridge. Failure to hold the tool and the battery cartridge firmly may cause them to slip off your hands and result in damage to the tool and battery cartridge and a personal injury.

► Fig.5: 1. Red indicator 2. Button 3. Battery cartridge

To remove the battery cartridge, slide it from the tool while sliding the button on the front of the cartridge.










To install the battery cartridge, align the tongue on the battery cartridge with the groove in the housing and slip it into place. Insert it all the way until it locks in place with a little click. If you can see the red indicator on the upper side of the button, it is not locked completely.

⚠ CAUTION: Always install the battery cartridge fully until the red indicator cannot be seen. If not, it may accidentally fall out of the tool, causing injury to you or someone around you.


⚠ CAUTION: Do not install the battery cartridge forcibly. If the cartridge does not slide in easily, it is not being inserted correctly.

Tool / battery protection system

The tool is equipped with a tool/battery protection system. This system automatically cuts off power to the motor to extend tool and battery life. The tool will automatically stop during operation if the tool or battery is placed under one of the following conditions:


Status	Indicator lamps		
	■ On	□ Off	▣ Blinking
Overload			
Overheat			
Over discharge			

Overload protection

If the tool is overloaded by entangled weeds or other debris,  and the middle indicators start blinking and the tool automatically stops.


In this situation, turn the tool off and stop the application that caused the tool to become overloaded. Then turn the tool on to restart.

Overheat protection for tool or battery

There are two types of overheating; tool overheating and battery overheating. When the tool over heating occurs, all speed indicators blink. When the battery over heating occurs,  indicator blinks.

If the overheating occurs, the tool stops automatically. Let the tool and/or battery cool down before turning the tool on again.

Overdischarge protection

When the battery capacity becomes low, the tool stops automatically and  indicator blinks.

If the tool does not operate even when the switches are operated, remove the batteries from the tool and charge the batteries.

Indicating the remaining battery capacity

Only for battery cartridges with the indicator

► Fig.6: 1. Indicator lamps 2. Check button

Press the check button on the battery cartridge to indicate the remaining battery capacity. The indicator lamps light up for few seconds.

Indicator lamps			Remaining capacity
Lighted	Off	Blinking	
■	□	▬	75% to 100%
■	■	■	
■	■	□	50% to 75%
■	□	□	25% to 50%
■	□	□	0% to 25%
▬	□	□	Charge the battery.
■	■	□	The battery may have malfunctioned.
□	□	■	

NOTE: Depending on the conditions of use and the ambient temperature, the indication may differ slightly from the actual capacity.

Power switch action

WARNING: Before installing the battery cartridge on the tool, always check to see that the switch trigger actuates properly and returns to the "OFF" position when released. Operating a tool with a switch that does not actuate properly can lead to loss of control and serious personal injury.

CAUTION: Never put your finger on the switch when carrying. The tool may start unintentionally and cause injury.

Press and hold the main power button for some seconds to turn on the tool.

To turn off the tool, press and hold the main power button again.

► Fig.7: 1. Main power button

To prevent the switch trigger from being accidentally pulled, a lock-off lever is provided.

To start the tool, grasp the handle (the lock-off lever is released by the grasp) and then pull the switch trigger.

To stop the tool, release the switch trigger.

DUR187U and DUR188U

► Fig.8: 1. Lock-off lever 2. Switch trigger

DUR187L and DUR188L

► Fig.9: 1. Lock-off lever 2. Switch trigger

NOTE: The tool is automatically turned off after the tool is left one minute without any operations.

Speed adjusting

You can adjust the tool speed by tapping the main power button.

Each time you tap the main power button, the level of speed will change.

► Fig.10: 1. Main power button

Indicator	Mode	Rotation speed
	Auto	4,000 - 6,000 min ⁻¹
	High	6,000 min ⁻¹
	Medium	5,000 min ⁻¹
	Low	4,000 min ⁻¹

Reverse button for debris removal

WARNING: Switch off the tool and remove the battery cartridge before you remove entangled weeds or debris which the reverse rotation function can not remove. Failure to switch off and remove the battery cartridge may result in serious personal injury from accidental start-up.

This tool has a reverse button to change the direction of rotation. It is only for removing weeds and debris entangled in the tool.

To reverse the rotation, tap the reverse button and pull the trigger when the tool's head is stopped. The power lamp starts blinking, and the tool's head rotates in reverse direction when you pull the switch trigger.

To return to regular rotation, release the trigger and wait until the tool's head stops.

► Fig.11: 1. Reverse button

NOTE: During the reverse rotation, the tool operates only for a short period of time and then automatically stops.

NOTE: Once the tool is stopped, the rotation returns to regular direction when you start the tool again.

NOTE: If you tap the reverse button while the tool's head is still rotating, the tool comes to stop and to be ready for reverse rotation.

Nylon cutting head

Optional accessory

NOTICE: The bump feed will not operate properly if the head is not rotating.

► Fig.12: 1. Most effective cutting area

The nylon cutting head is a dual string trimmer head provided with a bump & feed mechanism. To feed out the nylon cord, tap the cutting head against the ground while rotating.

NOTE: If the nylon cord does not feed out while tapping the head, rewind/replace the nylon cord by following the procedures described under "Maintenance".

ASSEMBLY

⚠ WARNING: Always be sure that the tool is switched off and battery cartridge is removed before carrying out any work on the tool. Failure to switch off and remove the battery cartridge may result in serious personal injury from accidental start-up.

⚠ WARNING: Never start the tool unless it is completely assembled. Operation of the tool in a partially assembled state may result in serious personal injury from accidental start-up.

Installing the handle

For DUR187U and DUR188U only

1. Insert the shaft of the handle into the grip. Align the screw hole in the grip with the one in the shaft. Tighten the screw securely.
▶ **Fig.13:** 1. Grip 2. Screw 3. Handle
2. Place handle between handle clamp and handle holder. Adjust the handle to an angle that provides a comfortable working position and then secure with hex socket head bolts.
▶ **Fig.14:** 1. Hex socket head bolt 2. Handle clamp

Mounting the attachment pipe

For DUR188U and DUR188L only

Mount the attachment pipe to the power unit.

1. Turn the lever to the direction of the arrow shown in the figure.
▶ **Fig.15:** 1. Lever
 2. Pull up the joint cover and insert the attachment pipe while aligning the protrusion on the pipe (cutting tool side) with the concave portion of the joint part.
▶ **Fig.16:** 1. Lock lever 2. Joint cover 3. Pipe
- Make sure that the surface of the lock lever is parallel to the pipe.
3. Turn the lever to the direction of the arrow shown in the figure.
▶ **Fig.17:** 1. Lever

To remove the pipe, turn the lever to the direction of the arrow shown in the figure and pull the pipe out while pressing down the lock lever.

- ▶ **Fig.18:** 1. Lever 2. Lock lever 3. Pipe

Installing the guard

⚠ WARNING: Never use the tool without the guard illustrated in place. Failure to do so can cause serious personal injury.

⚠ CAUTION: Take care not to injure yourself on the cutter for cutting the nylon cord.

NOTE: The shape of the protector varies depending on the country.

1. Align the projections on the protector with the grooves of the motor housing.
▶ **Fig.19:** 1. Protector 2. Groove 3. Projection
2. Align the projections on the protector holder with its counter parts of the motor housing.
▶ **Fig.20:** 1. Protector holder 2. Projection
3. Tighten the hex socket head bolts securely to fasten the protector and the protector holder.
▶ **Fig.21:** 1. Hex socket head bolt 2. Hex wrench

Installing the wire guard

⚠ CAUTION: Before adjusting the wire guard, wait for the cutting head comes to standstill. Do not adjust the wire guard with your foot.

▶ **Fig.22**

To reduce the risk damaging the objects in front of the cutting head, insert the wire guard so that it controls the cutting range of the mowing line.

Slightly expand the wire guard outward and then insert it into the holes of the protector.

▶ **Fig.23:** 1. Wire guard

NOTE: Do not expand the wire guard outward too much. Otherwise it may break.

When wire guard is not in use, lift it for the idle position.

▶ **Fig.24**

Installing nylon cutting head

Optional accessory

⚠ CAUTION: If the nylon cutting head accidentally impacts a rock or hard object during operation, stop the tool and inspect for any damage. If the nylon cutting head is damaged, replace it immediately. Use of a damaged cutting tool could result in serious personal injury.

⚠ CAUTION: Make sure to remove the hex wrench after installation.

NOTICE: Be sure to use genuine Makita nylon cutting head.

▶ **Fig.25:** 1. Nylon cutting head 2. Metal guard 3. Spindle 4. Hex wrench

1. Turn the tool upside down so that you can replace the cutting tool easily.

2. Insert the hex wrench through the hole on the motor housing and rotate the spindle until the spindle is locked.
3. Place the nylon cutting head onto the threaded spindle directly and tighten it by turning it counterclockwise.
4. Remove the hex wrench.

To remove the nylon cutting head, turn it clockwise while holding the receive washer with the hex wrench.

Installing plastic blade

Optional accessory

CAUTION: If the plastic blade accidentally impacts a rock or hard object during operation, stop the tool and inspect for any damage. If the plastic blade is damaged, replace it immediately. Use of a damaged cutting tool could result in serious personal injury.

CAUTION: Make sure to remove the hex wrench after installation.

NOTICE: Be sure to use genuine Makita plastic blade.

► **Fig.26:** 1. Plastic blade 2. Metal guard 3. Hex wrench

1. Turn the tool upside down so that you can replace the cutting tool easily.
2. Insert the hex wrench through the hole on the motor housing and rotate the spindle until the spindle is locked.
3. Place the plastic blade onto the threaded spindle directly and tighten it by turning it counterclockwise.
4. Remove the hex wrench.

To remove the plastic blade, turn it clockwise while holding the receive washer with the hex wrench.

Adjusting the handle/hanger position

Adjust the handle and hanger position to obtain comfortable handling of the tool.

For DUR187U and DUR188U

Loosen the hex socket head bolts on the bottom of the handle holder. Move the handle to a comfortable working position and then tighten the bolts.

► **Fig.27:** 1. Handle holder 2. Hex socket head bolt 3. Handle

Loosen the Hex socket head bolts on the hanger. Move the hanger to a comfortable working position and then tighten the bolts.

► **Fig.28:** 1. Hex socket head bolt 2. Hanger

For DUR187L and DUR188L

Loosen the hex socket head bolts on the handle. Move the handle to a comfortable working position and then tighten the bolts.

► **Fig.29:** 1. Hex socket head bolt 2. Handle

Loosen the hex socket head bolt on the hanger. Move the hanger to a comfortable working position and then tighten the bolt.

► **Fig.30:** 1. Hex socket head bolt 2. Hanger

Hex wrench storage

CAUTION: Be careful not to leave the hex wrench inserted in the tool head. It may cause injury and/or damage to the tool.

When not in use, store the hex wrench as shown in the figure to keep it from being lost.

► **Fig.31:** 1. Hex wrench

For DUR187L and DUR188L only

► **Fig.32:** 1. Handle 2. Hex wrench

OPERATION

Correct handling of tool

WARNING: Always position the tool on your right-hand side. Correct positioning of the tool allows for maximum control and will reduce the risk of serious personal injury caused by kickback.

WARNING: Be extremely careful to maintain control of the tool at all times. Do not allow the tool to be deflected toward you or anyone in the work vicinity. Failure to keep control of the tool could result in serious injury to the bystander and the operator.

WARNING: To avoid accident, leave more than 15m (50 ft) distance between operators when two or more operators work in one area. Also, arrange a person to observe the distance between operators. If someone or an animal enter the working area, immediately stop the operation.

DUR187U and DUR188U

► **Fig.33**

DUR187L and DUR188L

► **Fig.34**

Attachment of shoulder harness

CAUTION: Always use the shoulder harness attached. Before operation, adjust the shoulder harness according to the user size to prevent fatigue.

Connect the hook of the shoulder harness to the hanger and put the shoulder harness on. Make sure that the tool is held securely by the shoulder harness.

DUR187U and DUR188U

► **Fig.35:** 1. Hook 2. Hanger

DUR187L and DUR188L

► **Fig.36:** 1. Hook 2. Hanger

Detachment

The shoulder harness features a means of quick release.

DUR187U and DUR188U

► **Fig.37:** 1. Strip

Pull out the strip release the tool from the shoulder harness.

DUR187L and DUR188L

► **Fig.38:** 1. Buckle

Simply squeeze the sides of the buckle to release the tool from the shoulder harness.

MAINTENANCE

⚠ WARNING: Always be sure that the tool is switched off and battery cartridge is removed before attempting to perform inspection or maintenance on the tool. Failure to switch off and remove the battery cartridge may result in serious personal injury from accidental start-up.

NOTICE: Never use gasoline, benzene, thinner, alcohol or the like. Discoloration, deformation or cracks may result.

Replacing the nylon cord

⚠ WARNING: Use nylon cord with diameter specified in "SPECIFICATIONS" only. Never use heavier line, metal wire, rope or the like. Use recommended nylon cord only, otherwise it may cause damage to the tool and result in serious personal injury.

⚠ WARNING: Make sure that the cover of the nylon cutting head is secured to the housing properly as described below. Failure to properly secure the cover may cause the nylon cutting head to fly apart resulting in serious personal injury.

1. Press on the housing latches inward to lift off the cover, then remove the spool.

► **Fig.39:** 1. Latch 2. Cover

2. Prepare approximately 3 m (9 ft) of new nylon cord. Fold the new nylon cord with one end become approximately 80 mm (3-1/8") longer than the other end. Then hook the new nylon cord into the notch in the center of the spool.

Wind both ends firmly around the spool in the direction of the head rotation (left-hand direction indicated by LH on the side of the spool).

► **Fig.40:** 1. Spool

3. Wind all but about 100 mm (3 - 15/16") of the cords, leaving the ends temporarily hooked through a notch on the side of the spool.

► **Fig.41**

4. Mount the spool in the housing so that the grooves and protrusions on the spool match up with those in the housing. Keep the side with letters on the spool visible on the top. Now, unhook the ends of the cord from their temporary position and feed the cords through the eyelets to come out of the housing.

► **Fig.42:** 1. Spool 2. Housing 3. Eyelet

5. Align the protrusion on the underside of the cover with the slots of the eyelets. Then push the cover firmly onto the housing to secure it.

► **Fig.43**

Replacing the plastic blade

Replace the blade if it is worn out or broken.

► **Fig.44**

When installing the plastic blade, align the direction of the arrow on the blade with that of the protector.

► **Fig.45:** 1. Arrow on the protector 2. Arrow on the blade

To maintain product SAFETY and RELIABILITY, repairs, any other maintenance or adjustment should be performed by Makita Authorized or Factory Service Centers, always using Makita replacement parts.

TROUBLESHOOTING

Before asking for repairs, conduct your own inspection first. If you find a problem that is not explained in the manual, do not attempt to dismantle the tool. Instead, ask Makita Authorized Service Centers, always using Makita replacement parts for repairs.

State of abnormality	Probable cause (malfunction)	Remedy
Motor does not run.	Battery cartridge is not installed.	Install the battery cartridge.
	Battery problem (under voltage)	Recharge the battery. If recharging is not effective, replace battery.
	The drive system does not work correctly.	Ask your local authorized service center for repair.
Motor stops running after a little use.	Battery's charge level is low.	Recharge the battery. If recharging is not effective, replace battery.
	Overheating.	Stop using of tool to allow it to cool down.
It does not reach maximum RPM.	Battery is installed improperly.	Install the battery cartridge as described in this manual.
	Battery power is dropping.	Recharge the battery. If recharging is not effective, replace battery.
	The drive system does not work correctly.	Ask your local authorized service center for repair.
Cutting tool does not rotate: ⇒ stop the machine immediately!	Foreign object such as a branch is jammed between the guard and the nylon cutting head.	Remove the foreign object.
	The drive system does not work correctly.	Ask your local authorized service center for repair.
Abnormal vibration: ⇒ stop the machine immediately!	One end of the nylon cord has been broken.	Tap the nylon cutting head against the ground while it is rotating to cause the cord to feed.
	The drive system does not work correctly.	Ask your local authorized service center for repair.
Cutting tool and motor cannot stop: ⇒ Remove the battery immediately!	Electric or electronic malfunction.	Remove the battery and ask your local authorized service center for repair.

OPTIONAL ACCESSORIES

⚠ WARNING: Do not mount a metal blade on this tool and only use the recommended accessories or attachments indicated in this manual. The use of a metal blade or any other accessory or attachment may result in serious personal injury.

⚠ CAUTION: These accessories or attachments are recommended for use with your Makita tool specified in this manual. The use of any other accessories or attachments might present a risk of injury to persons. Only use accessory or attachment for its stated purpose.

NOTE: Some items in the list may be included in the tool package as standard accessories. They may differ from country to country.

If you need any assistance for more details regarding these accessories, ask your local Makita Service Center.

- Nylon cutting head
- Nylon cord (cutting line)
- Plastic blade
- Makita genuine battery and charger

SPECIFIKATIONER

Modell:		DUR187U	DUR187L	DUR188U	DUR188L
Typ av handtag		Cykelhandtag	Handtagsögla	Cykelhandtag	Handtagsögla
Hastighet utan belastning		4 000/5 000/6 000 min ⁻¹			
Total längd (utan skärverktyg)		1 791 mm			
Nylonträdens diameter		2,0 - 2,4 mm			
Tillämpligt trimmerverktyg och skärdiameter	Trimmerhuvud (prod. nr 123932-5)	300 mm			
	Plastkniv (art.nr. 123954-5)	255 mm			
Märkspänning		18 V likström			
Nettovikt (vid användning av BL1830B)	med trimmerhuvud	3,8 kg	3,6 kg	4,1 kg	3,9 kg
	med plastkniv	3,9 kg	3,6 kg	4,1 kg	3,9 kg
Batterikassett		BL1815N, BL1820, BL1820B, BL1830, BL1830B, BL1840, BL1840B, BL1850, BL1850B, BL1860B			

- På grund av vårt pågående program för forskning och utveckling kan dessa specifikationer ändras utan föregående meddelande.
- Specifikationer och batterikassett kan variera mellan olika länder.
- Vikt, med batterikassett, i enlighet med EPTA-procedure 01/2003

Buller

Tillämplig standard : 2000/14/EC

Modell	Typ	Ljudtrycksnivå (genomsnittlig)	Ljudeffektnivå (genomsnittlig)	
		L _{PA} (dB (A))	L _{WA} (dB (A))	Osäkerhets-K (dB (A))
DUR187U	Trimmerhuvud	74	84	6,0
	Plastkniv	79	88	0,8
DUR187L	Trimmerhuvud	74	84	6,0
	Plastkniv	79	88	0,8
DUR188U	Trimmerhuvud	74	84	6,0
	Plastkniv	79	88	0,8
DUR188L	Trimmerhuvud	74	84	6,0
	Plastkniv	79	88	0,8

- Även om den ljudtrycksnivå som angetts ovan är mer eller mindre än 80 dB (A) kan det hända att ljudtrycksnivån vid arbete överskrider 80 dB (A). Använd hörselskydd.

Vibration

Tillämplig standard : EN50636-2-91

Modell	Typ	Vänster hand		Höger hand	
		a _{h,w} (m/s ²)	Osäkerhets-K (m/s ²)	a _{h,w} (m/s ²)	Osäkerhets-K (m/s ²)
DUR187U	Trimmerhuvud	≤ 2,5	1,5	≤ 2,5	1,5
	Plastkniv	≤ 2,5	1,5	≤ 2,5	1,5
DUR187L	Trimmerhuvud	≤ 2,5	1,5	≤ 2,5	1,5
	Plastkniv	≤ 2,5	1,5	≤ 2,5	1,5
DUR188U	Trimmerhuvud	≤ 2,5	1,5	≤ 2,5	1,5
	Plastkniv	≤ 2,5	1,5	≤ 2,5	1,5

DUR188L	Trimmerhuvud	≤ 2,5	1,5	≤ 2,5	1,5
	Plastkniv	≤ 2,5	1,5	≤ 2,5	1,5

OBS: Det deklarerade vibrationsemissionsvärdet har uppmätts i enlighet med standardtestmetoden och kan användas för att jämföra en maskin med en annan.

OBS: Det deklarerade vibrationsemissionsvärdet kan också användas i en preliminär bedömning av exponering för vibration.

⚠ VARNING: Vibrationsemissionen under faktisk användning av maskinen kan skilja sig från det deklarerade emissionsvärdet, beroende på hur maskinen används.

⚠ VARNING: Var noga med att identifiera säkerhetsåtgärder för att skydda användaren, vilka är grundade på en uppskattning av graden av exponering för vibrationer under de faktiska användningsförhållandena, (ta, förutom avtryckartiden, med alla delar av användarcykeln i beräkningen, som till exempel tiden då maskinen är avstängd och när den går på tomgång).

Symboler

Följande visar symbolerna som används för utrustningen. Se till att du förstår innebörden innan du använder bormaskinen.



Var extra försiktig och uppmärksam.



Läs igenom bruksanvisningen.



Fara! Se upp för flygande föremål.



Avståndet mellan maskinen och åskådare måste vara minst 15 m.



Håll kringstående personer på avstånd.



Upprätthåll ett avstånd på minst 15 m.



Använd hjälm, skyddsglasögon och hörselskydd.



Använd skyddshandskar.



Använd kraftiga stövlar med halkfria sulor. Skyddsstövlar med stålförstärkt tåhätta rekommenderas.



Utsätt inte verktyget för fukt.



Högsta tillåtna verktygshastighet.



Använd aldrig metallkniv.



Gäller endast EU-länder
Elektrisk utrustning eller batteripaket får inte kastas i hushållsavfallet! Enligt EU-direktiven som avser förbrukad elektrisk och elektronisk utrustning, batterier, ackumulatörer, förbrukade batterier och ackumulatörer, samt direktivens tillämpning enligt nationell lagstiftning, ska uttjänt elektrisk utrustning, batterier och batteripaket sorteras separat och lämnas till miljövänlig återvinning.

EG-försäkringen om överensstämmelse

Gäller endast inom EU

EG-försäkringen om överensstämmelse inkluderas som bilaga A till denna bruksanvisning.

SÄKERHETSVARNINGAR

VIKTIGA SÄKERHETSANVISNINGAR

⚠ VARNING: Läs igenom alla säkerhetsvarningar och anvisningar. Underlåtenhet att följa varningar och instruktioner kan leda till elstöt, brand och/eller allvarliga personskador.

Spara alla varningar och instruktioner för framtida referens.

- Gör dig bekant med och lär dig att på rätt sätt använda manöverkontrollerna och utrustningen.
- Skärande delar fortsätter att rotera efter att motorn stängts av.
- Låt aldrig maskinen användas av barn eller personer som inte nogat läst igenom och förstätt dessa bruksanvisningar.
- Använd aldrig maskinen när åskådare (i synnerhet barn) eller djur finns i närheten.
- Använd endast maskinen i dagsljus eller i god belysning.
- Innan du använder maskinen, eller efter att den stött emot något, ska du kontrollera om det finns några tecken på slitage eller skador och reparera vid behov.
- Var försiktig så att du inte skadar dig på någon del avsedd för trimning av trädens längd. Efter att ny skärtråd dragits ut ska maskinen alltid återföras till sitt normala driftsläge innan den startas.
- Sätt aldrig i skärande metallföremål.
- Denna maskin är inte avsedd att användas av personer (inklusive barn) med nedsatt fysisk, sensorisk eller mental förmåga, eller personer utan erfarenhet av och kunskap om maskinen, såvida inte de hålls under uppsikt eller fått instruktioner i användningen av maskinen av en person som är ansvarig för deras säkerhet.

Barn ska hela tiden hållas under uppsikt så att de inte använder maskinen som leksak.

10. Använd maskinen med största försiktighet och uppmärksamhet.
11. Använd endast maskinen när du är i god fysisk form. Utför allt arbete noggrant och i lugnt tempo. Använd sunt förnuft, och glöm inte att användaren eller ägaren är ansvarig för olyckor eller risker som kan uppstå för andra personer och deras ägodelar.
12. Arbeta aldrig med maskinen när du är trött, känner dig sjuk eller är under påverkan av alkohol eller droger.
13. Maskinen ska stängas av omedelbart om den uppvisar tecken på något onormalt.

Maskinens användningsområde

1. Använd rätt maskin. Den batteridrivna grästrimmern är endast avsedd för klippning av gräs och lätt ogräs. Den får inte användas för något annat ändamål (t.ex. häckklippning) eftersom detta kan ge upphov till personskador.

Personlig skyddsutrustning

► Fig.1

► Fig.2

1. Klä dig rätt. Tänk på att ha en bekväm och funktionell klädsel med god passform (dvs. varken för hårt eller löst åtsittande plagg). Bär inga smycken eller kläder som kan fastna i högt gräs. Använd skyddsmössa om du har långt hår.
2. Bär alltid kraftiga skor med halkfri sula när du arbetar med maskinen. Detta skyddar mot skador och garanterar en god balans.
3. Bär skyddsglasögon eller korgglasögon.

El- och battersäkerhet

1. Undvik farliga miljöer. Använd inte maskinen på fuktiga eller blöta platser, och utsätt den heller inte för regn. Vatten som kommer in i maskinen ökar risken för elektriska stötar.
2. Ladda endast med den batteriladdare som angetts av tillverkaren. Brandrisk kan uppstå om en laddare som passar en viss typ av batterier används tillsammans med ett annat batteri.
3. Använd endast batterier som är speciellt avsedda för motordrivna maskiner. Om andra batterier används kan detta ge upphov till risk för personskador och brand.
4. När batteriet inte används ska det förvaras på behörigt avstånd från andra metallföremål som till exempel gem, mynt, nycklar, spikar, skruvar och andra små metallföremål som kan skapa anslutning från en batteripol till en annan. Kortslutning av batteripolerna kan orsaka brännskador eller brand.
5. Om batteriet hanteras ovarsamt kan vätska sprutas ut; undvik all kontakt med denna. Spola med vatten om kontakt ändå råkar uppstå. Om batterivätskan kommer in i ögonen ska du uppsöka läkare. Vätska från batteriet kan orsaka irritation på huden eller ge brännskador.
6. Släng inte batteriet/batterier in i öppen eld. Cellen kan i annat fall explodera. Kontrollera om några speciella lokala föreskrifter föreligger avseende avfallshandling.
7. Öppna inte eller skada/deformera/punktera batteriet/batterierna. Elektrolyten som kommer ut är frätande och kan ge ögon- eller hudskador. Den kan vara giftig vid intag.

Starta maskinen

► Fig.3

1. Kontrollera att barn och andra åskådare inte befinner sig inom ett arbetsområde av 15 meter från maskinen, och var även uppmärksam på eventuella djur i omgivningen. Sluta genast att använda maskinen om detta inte uppfylls.
2. Kontrollera alltid före all användning att maskinen är säker att använda. Kontrollera att trimmerverktyget är säkert att använda och skyddet sitter på plats samt kontrollera att avtryckaren/startspaken fungerar på avsett sätt. Kontrollera att handtagen är rena och torra, och testa att strömbrytaren kan användas för att slå på och stänga av maskinen.
3. Kontrollera eventuella delar som skadats innan du fortsätter att använda maskinen. Ett skydd eller någon annan del som skadats ska noggrant kontrolleras för att fastställa om delen kommer att fungera korrekt för det den är avsedd för. Kontrollera inriktningen och fästen för rörliga delar, om det finns trasiga delar samt monteringen eller andra förhållanden som kan påverka användningen av maskinen. Ett skydd eller någon annan del som är skadad ska repareras ordentligt eller bytas ut av en auktoriserad serviceverkstad såvida inte annat anges i denna bruksanvisning.
4. Starta endast motorn när du har dina händer och fötter på behörigt avstånd från trimmerverktyget.
5. Innan du startar motorn och trimmerverktyget börjar rotera kontrollera att verktyget inte är i kontakt med hårda föremål som grenar, stenar m.m.

Arbetsmetod

1. Kör aldrig maskinen med skadade skydd eller utan skydden på plats.
2. Använd endast maskinen då du har goda ljus- och siktförhållanden. Var uppmärksam på våta och hala fläckar samt snö och is under vintersäsongen (risk för halka). Se till att alltid ha bra fotfäste.
3. Var försiktig så att du inte skadar händer och fötter på trimmerverktyget.
4. Håll alltid händer och fötter på behörigt avstånd från skrande delar (i synnerhet när du startar motorn).
5. Trimma aldrig gräset över midjehöjd.
6. Stå aldrig på en stege när du kör maskinen.
7. Arbeta aldrig på ostadigt underlag.
8. Sträck dig inte för långt. Stå alltid stabil och ha god balans hela tiden.
9. Ta bort sand, stenar, spikar m.m. som finns i arbetsområdet. Främmande föremål kan skada trimmerverktyget och kastas iväg, vilket kan orsaka allvarliga personskador.
10. Stäng omedelbart av motorn och inspektera trimmerverktyget om det slagit i stenar eller andra hårda föremål.
11. Innan du kan börja trimma gräset måste trimmerverktyget ha uppnått full arbetshastighet.
12. Håll alltid maskinen med båda händerna under arbetet. Håll aldrig maskinen med endast en hand när motorn är igång. Se till att alltid ha bra fotfäste.
13. All skyddsutrustning (t.ex. de skydd som medföljer) måste användas när du arbetar med maskinen.
14. Tappa inte i eller kasta maskinen på marken utom i nödsituationer eftersom detta kan ge upphov till allvarliga skador på den.

15. Dra aldrig maskinen på marken när du flyttar den från plats till plats. I annat fall kan den skadas.
16. Ta alltid ut batterikassetten ur maskinen:
 - när maskinen lämnas utan uppsikt.
 - innan du tar bort något som fastnat i maskinen.
 - innan maskinen kontrolleras eller rengörs, eller innan något arbete utförs på den.
 - innan justeringar, byte av tillbehör eller förvaring.
 - när maskinen börjar vibrera onormalt.
 - när maskinen transporteras.
17. Tryck inte hårt med maskinen. Den utträtt sitt arbete bättre och med mindre risk för olyckor om den används med den hastighet som den konstruerats för.
18. Använd inte maskinen i explosiva områden (t.ex. i närheten av lättantändliga vätskor, gaser eller damm). Maskinen skapar gnistor som kan antända dammet eller ångorna.
19. Ta regelbundna pauser för att förhindra att du förlorar kontrollen över maskinen på grund av trötthet. Vi rekommenderar en paus på 10 till 20 minuter varje timme.

Underhållsanvisningar

1. Trimmerverktygets, skyddsensheternas och axelbandets skick måste kontrolleras innan något arbete får påbörjas.
2. Stäng av motorn och ta ur batterikassetten innan du utför något underhållsarbete, byter ut delar i trimmerverktyget eller rengör maskinen.
3. Ta ut batterikassetten ur maskinen och kontrollera att inga skador uppstått efter användningen.
4. Kontrollera om det finns lösa fästankordningar eller skadade delar som sprickor nästan halvågs genom trimmerverktyget.
5. När utrustningen inte används ska den förvaras på en torr plats som är låst eller utom räckhåll för barn.
6. Använd endast reservdelar och tillbehör som rekommenderats av tillverkaren.
7. Se till att ventilationshålen alltid hålls fria från skräp.
8. Inspektera och utför underhåll på maskinen regelbundet (speciellt före och efter användning). Låt endast vårt auktoriserade servicecenter reparera maskinen.
9. Håll handtagen torra, rena och fria från olja och fett.

SPARA DESSA ANVISNINGAR.

⚠VARNING: GLÖM INTE att också fortsättningsvis strikt följa säkerhetsanvisningarna för maskinen även efter att du blivit van att använda den. Vid FELAKTIG HANTERING av maskinen eller om inte säkerhetsanvisningarna i denna bruksanvisning följs kan följden bli allvarliga personskador.

Viktiga säkerhetsanvisningar för batterikassetten

1. Innan batterikassetten används ska alla instruktioner och varningsmärken på (1) batteriladdaren, (2) batteriet och (3) produkten läsas.
2. Montera inte isär batterikassetten.
3. Om drifttiden blivit avsevärt kortare ska användningen avbrytas omedelbart. Det kan uppstå överhettning, brännskador och t o m en explosion.
4. Om du får elektrolyt i ögonen ska de sköljas med rent vatten och läkare uppsöks omedelbart. Det finns risk för att synen förloras.
5. Kortslut inte batterikassetten.
 - (1) Rör inte vid polerna med något strömförande material.
 - (2) Undvik att förvara batterikassetten tillsammans med andra metallobjekt som t.ex. spikar, mynt o.s.v.
 - (3) Skydda batteriet mot vatten och regn. En batterikortslutning kan orsaka ett stort strömflöde, överhettning, brand och maskinhaveri.
6. Förvara inte maskinen och batterikassetten på platser där temperaturen kan nå eller överstiga 50 °C.
7. Bränn inte upp batterikassetten även om den är svårt skadad eller helt utsliten. Batterikassetten kan explodera i öppen eld.
8. Var försiktig så att du inte råkar tappa batteriet och utsätt det inte för stöt.
9. Använd inte ett skadat batteri.
10. De medföljande litiumjonbatterierna är föremål för kraven i gällande lagstiftning för farligt gods. För kommersiella transporter (av t.ex. tredje parter som speditorsfirmor) måste de särskilda transportkrav som anges på emballaget och etiketter iakttagas. För att förbereda den produkt som ska avsendas krävs att du konsulterar en expert på riskmaterial. Var också uppmärksam på att det i ditt land kan finnas ytterligare föreskrifter att följa. Tejpa över eller maskera blottade kontakter och packa batteriet på sådant sätt att det inte kan röra sig fritt i förpackningen.
11. Följ lokala föreskrifter beträffande avfallshandtering av batterier.

SPARA DESSA ANVISNINGAR.

⚠FÖRSIKTIGT: Använda endast äkta Makita-batterier. Användning av oäkta Makita-batterier eller batterier som har manipulerats kan leda till person- och utrustningsskador eller till att batteriet fattar eld. Det upphäver också Makitas garanti för verktyget och laddaren.

Tips för att uppnå batteriets maximala livslängd

1. Ladda batterikassetten innan den är helt urladdad. Stanna alltid maskinen och ladda batterikassetten när du märker att maskinen blir svagare.
2. Ladda aldrig en fulladdad batterikasset. Överladdning förkortar batteriets livslängd.
3. Ladda batterikassetten vid en rumstemperatur på 10 °C - 40 °C. Låt en varm batterikasset svalna innan den laddas.
4. Ladda batterikassetten om du inte har använt den på länge (mer än sex månader).

BESKRIVNING AV DELAR

► Fig.4

1	Batterikassett	2	Säkerhetsspärr	3	Avtryckare	4	Upphångningsanordning
5	Handtag	6	Skydd (skärverktygsskydd)	7	Trådskydd	8	Säkerhetsspärr (endast DUR188U och DUR188L)
9	Samlingsskydd (endast DUR188U och DUR188L)	10	Lock (endast DUR188U och DUR188L)	11	Hastighetsindikator	12	Indikator för automatisk hastighetskontroll
13	Strömlampa	14	Strömbrytare	15	Reverseringsknapp	16	Åxelband

* Skyddets form varierar beroende på land.

FUNKTIONSBESKRIVNING

⚠ VARNING: Se alltid till att maskinen är avstängd och batterikassetten borttagen innan du justerar maskinen eller kontrollerar dess funktioner. Om du inte stänger av maskinen och tar ur batterikassetten kan maskinen oavsiktligt startas med allvarliga personsador som följd.

Montera eller demontera batterikassetten

⚠ FÖRSIKTIGT: Stäng alltid av maskinen innan du monterar eller tar bort batterikassetten.

⚠ FÖRSIKTIGT: Håll stadigt i maskinen och batterikassetten när du monterar eller tar bort batterikassetten. I annat fall kan det leda till att de glider ur dina händer och orsakar skada på maskinen och batterikassetten samt personskada.

► Fig.5: 1. Röd indikator 2. Knapp 3. Batterikassett

Ta bort batterikassetten genom att skjuta ner knappen på kassetterns framsida samtidigt som du drar ut batterikassetten.










Sätt i batterikassetten genom att rikta in tungan på batterikassetten mot spåret i höljet och skjut den på plats. Tryck in batterikassetten ordentligt tills den låser fast med ett klick. Om du kan se den röda indikatorn på knappens ovansida är den inte låst ordentligt.

⚠ FÖRSIKTIGT: Sätt alltid i batterikassetten helt tills den röda indikatorn inte längre syns. I annat fall kan den oväntat falla ur maskinen och skada dig eller någon annan.


⚠ FÖRSIKTIGT: Montera inte batterikassetten med våld. Om kassetten inte lätt glider på plats är den felinsatt.

Skyddssystem för maskinen/ batteriet


Verktyget är utrustat med ett skyddssystem för verktyget/batteriet. Detta system bryter automatiskt strömmen till motorn för att förlänga verktygets och batteriets livslängd. Verktyget stoppar automatiskt under användningen om verktyget eller batteriet hamnar i en av följande situationer:

Status	Indikatorlampor		
	■ På	□ Av	▣ Blinkar
Överbelastning			
Överhettning			
Överurladdning			


Överbelastningsskydd

Om maskinen överbelastas genom ogräs eller andra föremål som fastnat,  och den mittersta indikeringen börjar blinka, stannar maskinen automatiskt. Om detta händer stänger du av maskinen och upphör med arbetet som gjorde att maskinen överbelastades. Starta därefter upp maskinen igen.

Överhettningsskydd för maskin/ batteri

Det finns två sorters överhettning; maskinöverhettning och batteriöverhettning. När maskinöverhettning sker blinkar alla hastighetsindikatorer. När batteriöverhettning sker blinkar  indikatorn. Om överhettning sker stannar maskinen automatiskt. Låt maskinen och/eller batteriet svalna innan du startar den igen.

Överurladdningsskydd

När batteriets kapacitet är låg stoppar maskinen automatiskt och indikatorn  blinkar. Om maskinen inte fungerar trots att knapparna fungerar som de ska tar du bort batterierna från maskinen och laddar dem.

Indikerar kvarvarande batterikapacitet

Endast för batterikassetter med indikator

► Fig. 6: 1. Indikatorlampor 2. Kontrollknapp

Tryck på kontrollknappen på batterikassetten för att se kvarvarande batterikapacitet. Indikatorlamporna lyser i ett par sekunder.

Indikatorlampor			Kvarvarande kapacitet
Upplyst	Av	Blikar	
■	□	▬	75% till 100%
■ ■ ■ ■			
■ ■ ■ □			
■ ■ □ □			
■ □ □ □			50% till 75%
■ □ □ □			25% till 50%
■ □ □ □			0% till 25%
▬ □ □ □			Ladda batteriet.
■ ■ □ □			Batteriet kan ha skadats.
□ □ ■ ■			

OBS: Beroende på användningsförhållanden och den omgivande temperaturen kan indikationen skilja sig lätt från den faktiska batterikapaciteten.

Säkerhetsgreppfunktion

⚠ VARNING: Innan du sätter i batterikassetten i maskinen ska du alltid kontrollera att avtryckaren fungerar och återgår till läget "OFF" när du släpper den. Om du använder en maskin med ett avtryckare som inte aktiveras korrekt kan det leda till förlorad kontroll och allvarlig personskada.

⚠ FÖRSIKTIGT: Håll aldrig fingret på avtryckaren när du bär maskinen. Maskinen kan starta oavsiktligt och orsaka skada.

Håll strömbrytaren intryckt i några sekunder för att starta maskinen.

Om du vill stänga av maskinen håller du strömbrytaren intryckt igen.

► Fig. 7: 1. Strömbrytare

Säkerhetsspakens funktion är att förhindra att avtryckaren oavsiktligt trycks in.

För att starta maskinen greppar du handtaget (säkerhetsspären frigörs med det greppet) och trycker in avtryckaren. För att stoppa maskinen släpper du avtryckaren.

DUR187U och DUR188U

► Fig. 8: 1. Säkerhetsspär 2. Avtryckare

DUR187L och DUR188L

► Fig. 9: 1. Säkerhetsspär 2. Avtryckare

OBS: Maskinen stängs av automatiskt när den inte använts under en minut.

Hastighetsinställning

Du kan ställa in maskinhastigheten genom att trycka lätt på strömbrytaren.

Varje gång du klickar på strömbrytaren ändras hastighetsnivån.

► Fig. 10: 1. Strömbrytare

Indikator	Läge	Rotationshastighet
	Auto	4 000 - 6 000 min ⁻¹
	Hög	6 000 min ⁻¹
	Medel	5 000 min ⁻¹
	Låg	4 000 min ⁻¹

Reverseringsknapp för borttagning av skräp

⚠ VARNING: Stäng av maskinen och ta ur batterikassetten innan du tar bort intrasslade ogrässtrån eller skräp som inte kan tas bort med reverseringsknappen. Om du inte stänger av maskinen och tar ur batterikassetten kan maskinen oavsiktligt startas med allvarliga personskador som följd.

Denna maskin har en reverseringsknapp som ändrar rotationsriktningen. Den är endast avsedd för borttagning av ogrässtrån och skräp som fastnat i maskinen.

För att ändra rotationsriktningen trycker du lätt på reverseringsknappen och trycker in avtryckaren när maskinens trimmerhuvud har stannat. Strömlampan börjar blinka och maskinens trimmerhuvud ändrar rotationsriktningen när du trycker in avtryckaren.

För att återgå till normal rotation släpper du avtryckaren och väntar tills maskinens trimmerhuvud har stannat.

► Fig. 11: 1. Reverseringsknapp

OBS: I det reverserade läget arbetar maskinen endast en kort stund och stängs sedan av automatiskt.

OBS: När maskinen har stannat och du startar den igen återgår den till att rotera i normal riktning.

OBS: Om du trycker lätt på reverseringsknappen medan maskinens trimmerhuvud fortfarande roterar stannar det, och är sedan klart att rotera i den andra riktningen.

Trimmerhuvud

Valfria tillbehör

OBSERVERA: Stöt- och matarfunktionen fungerar inte korrekt om trimmerhuvudet inte roterar.

► **Fig.12:** 1. Område där grästrimningen har störst effekt

Trimmerhuvudet är ett grästrimmerhuvud med två trådar samt en stöt- och matarmekanism. För att mata ut nylontråd knackar du trimmerhuvudet lätt mot marken medan det roterar.

OBS: Om det inte kommer ut någon nylontråd medan du knackar trimmerhuvudet mot marken virar du upp/byter du ut nylontråden genom att följa de steg som anges i avsnittet "Underhåll".

MONTERING

⚠ VARNING: Se alltid till att maskinen är avstängd och batterikassetten urtagen innan du utför något underhållsarbete på den. Om du inte stänger av maskinen och tar ur batterikassetten kan maskinen oavsiktligt startas med allvarliga personskador som följd.

⚠ VARNING: Starta aldrig maskinen om den inte är fullständigt monterad. Om maskinen används endast delvis monterad kan detta leda till allvarliga personskador om maskinen av misstag skulle startas.

Montera handtaget

Endast för DUR187U och DUR188U

1. För in handtagets skaft i greppet. Rikta in skruvhålet i greppet med det i skaftet. Dra åt skruven ordentligt.

► **Fig.13:** 1. Handtag 2. Skruv 3. Handtag

2. Placera handtaget mellan handtagsklämman och handtagsfästet. Justera handtagets vinkel så att det ger ett bekvämt arbetsläge och fäst det sedan genom att dra åt med insexbultar.

► **Fig.14:** 1. Insexbult 2. Handtagsklämna

Montera anslutningsröret

Endast för DUR188U och DUR188L

Montera anslutningsröret på drivenheten.

1. Vrid spaken i pilens riktning enligt bilden.

► **Fig.15:** 1. Spak

2. Dra upp samlingskyddet och för in anslutningsröret samtidigt som du riktar in spåren på röret (skärverktygets sida) med den konkava delen av den gemensamma delen.

► **Fig.16:** 1. Säkerhetsspärr 2. Samlingskydd 3. Rör

Se till att säkerhetsspärrens yta är parallell mot röret.

3. Vrid spaken i pilens riktning enligt bilden.

► **Fig.17:** 1. Spak

För att ta bort röret vrider man spaken i pilens riktning enligt bilden och drar ut röret samtidigt som säkerhetsspärren trycks ner.

► **Fig.18:** 1. Spak 2. Säkerhetsspärr 3. Rör

Montera skyddet

⚠ VARNING: Använd aldrig maskinen utan att ha monterat på skyddet enligt illustrationen. I annat fall kan följden bli allvarliga personskador.

⚠ FÖRSIKTIGT: Var försiktig så att du inte skadar dig själv på skärbladet som skär av nylontråden.

OBS: Skyddets form varierar beroende på land.

1. Rikta in de utskjutande delarna på skyddet efter skärorna i motorhuset.

► **Fig.19:** 1. Skydd 2. Spår 3. Utskjutande del

2. Rikta in de utskjutande delarna på skyddets hållare efter motsvarande delar på motorhuset.

► **Fig.20:** 1. Hållare för skyddet 2. Utskjutande delar

3. Dra fast insexbultarna ordentligt för att fästa skyddet och skyddsfästet.

► **Fig.21:** 1. Insexbult 2. Insexnyckel

Montera trådskyddet

⚠ FÖRSIKTIGT: Innan du börjar justera trådskyddet väntar du tills trimmerhuvudet står helt stilla. Justera inte trådskyddet med foten.

► **Fig.22**

För att minska risken att skada föremål framför trimmerhuvudet för du in trådskyddet så att det kontrollerar trimningsområdet för träden som slår gräset.

För ut trådskyddet något, och för därefter in det i hålen på skyddet.

► **Fig.23:** 1. Trådskydd

OBS: För inte ut trådskyddet för mycket. I annat fall kan det gå av.

När trådskyddet inte används ska du lyfta det till viloläget.

► **Fig.24**

Montera trimmerhuvudet

Valfria tillbehör

⚠ FÖRSIKTIGT: Om trimmerhuvudet oavsiktligt slår emot en sten eller ett hårt föremål under användningen ska maskinen stängas av och inspekteras för eventuella skador. Om trimmerhuvudet är skadat ska det genast bytas ut. Om du använder ett skadat trimmerhuvud kan det orsaka allvarig personskada.

⚠ FÖRSIKTIGT: Se till att du tar bort insexnyckeln efter att du skruvat åt sexkantskruvarna.

OBSERVERA: Använd endast Makitas originaltrimmerhuvud.

- **Fig.25:** 1. Trimmerhuvud 2. Metallskydd 3. Spindel 4. Insexnyckel

1. Vänd maskinen upp och ned så att du enkelt kan byta ut trimmerverktyget.
2. För in insexnyckeln genom hålet på motorkåpan och vrid spindeln tills den är låst.
3. Placera trimmerhuvudet direkt på den gängade axeln och dra åt det genom att vrida moturs.
4. Ta bort insexnyckeln.

Om du vill ta bort trimmerhuvudet vrider du det medurs samtidigt som du håller i mottagarbrickan med insexnyckeln.

Installera plastkniv

Valfria tillbehör

⚠ FÖRSIKTIGT: Om plastkniven oavsiktligt slår emot en sten eller ett hårt föremål under användningen ska maskinen stängas av och inspekteras för eventuella skador. Om plastkniven är skadad ska den genast bytas ut. Om du använder ett skadat skärverktyg kan det orsaka allvarlig personskada.

⚠ FÖRSIKTIGT: Se till att du tar bort insexnyckeln efter att du skruvat åt sexkantskruvarna.

OBSERVERA: Använd endast Makitas originalplastkniv.

- **Fig.26:** 1. Plastkniv 2. Metallskydd 3. Insexnyckel

1. Vänd maskinen upp och ned så att du enkelt kan byta ut skärverktyget.
2. För in insexnyckeln genom hålet på motorkåpan och vrid spindeln tills den är låst.
3. Placera plastkniven direkt på den gängade axeln och dra åt genom att vrida moturs.
4. Ta bort insexnyckeln.

Om du vill ta bort plastkniven vrider du den medurs samtidigt som du håller i mottagarbrickan med insexnyckeln.

Justera handtag/ upphängningsposition

Justera handtag och upphängningsposition för bästa möjliga hantering av maskinen.

För DUR187U och DUR188U

Lossa insexbultarna i handtagsfästets nederkant. Flytta handtaget till en komfortabel arbetsposition och dra åt bultarna.

- **Fig.27:** 1. Handtagsfäste 2. Insexbult 3. Handtag

Lossa insexbultarna i upphängningen. Flytta upphängningen till en komfortabel arbetsposition och dra åt bultarna.

- **Fig.28:** 1. Insexbult 2. Upphångningsanordning

För DUR187L och DUR188L

Lossa insexbultarna på handtaget. Flytta handtaget till en komfortabel arbetsposition och dra åt bultarna.

- **Fig.29:** 1. Insexbult 2. Handtag

Lossa insexbulten i upphängningen. Flytta upphängningen till en komfortabel arbetsposition och dra åt bulten.

- **Fig.30:** 1. Insexbult 2. Upphångningsanordning

Förvaring av insexnyckel

⚠ FÖRSIKTIGT: Var försiktig så att du inte lämnar insexnyckeln i verktygshuvudet. Det kan leda till personskada och/eller maskinskada.

Förvara insexnyckeln enligt figuren när den inte används, så att du alltid har den till hands.

- **Fig.31:** 1. Insexnyckel

Endast för DUR187L och DUR188L

- **Fig.32:** 1. Handtag 2. Insexnyckel

ANVÄNDNING

Korrekt hantering av maskinen

⚠ WARNING: Håll alltid maskinen på din högra sida. Genom att ha maskinen rätt placerad får du maximal kontroll, och riskerna för allvarliga personskador på grund av bakåtkast minskas.

⚠ WARNING: Var ytterst försiktig så att du alltid behåller kontrollen över maskinen. Låt aldrig maskinen vridas mot dig eller någon annan i närheten. Om du mister kontrollen över maskinen kan detta orsaka allvarliga personskador på åskådare eller dig själv.

⚠ WARNING: För att undvika olyckor ska ett avstånd på 15 m (50 fot) hållas mellan användare när två eller fler användare arbetar inom samma område. Utse en person som håller uppsikt över avståndet mellan användarna. Om någon eller ett djur kommer in i arbetsområdet måste arbetet genast avbrytas.

DUR187U och DUR188U

- **Fig.33**

DUR187L och DUR188L

- **Fig.34**

Fastsättning av axelband

⚠ FÖRSIKTIGT: Använd alltid maskinen med det medföljande axelbandet fastsatt. Innan du startar maskinen justerar du axelbandet efter din kroppsstorlek för att förhindra trötthet.

Anslut kroken på bärselen till upphängningen och ta på dig bärselen. Se till att maskinen hålls upp ordentligt av bärselen.

DUR187U och DUR188U

- **Fig.35:** 1. Krok 2. Upphångningsanordning

DUR187L och DUR188L

- **Fig.36:** 1. Krok 2. Upphångningsanordning

Frigöra spännet

Bärselen har en snabbkoppling.

DUR187U och DUR188U

► Fig.37: 1. Remsa

Dra i remmen för att lossa maskinen från bärremmen.

DUR187L och DUR188L

► Fig.38: 1. Spänne

Tryck bara på sidorna av spännet för att lösgöra maskinen från bärselen.

UNDERHÅLL

⚠ VARNING: Se alltid till att maskinen är avstängd och batterikassetten urtagen innan du kontrollerar eller utför underhåll på maskinen. Om du inte stänger av maskinen och tar ur batterikassetten kan maskinen oavsiktligt startas med allvarliga personskador som följd.

OBSERVERA: Använd inte bensin, förtunningsmedel, alkohol eller liknande. Missfärgning, deformation eller sprickor kan uppstå.

Byta ut nylontråden

⚠ VARNING: Använd endast nylontråd med den diameter som anges i "SPECIFIKATIONER". Använd aldrig någon tyngre tråd, metalltråd, rep eller liknande. Använd endast nylontråd som rekommenderas för att undvika att maskinen skadas och allvarliga personskador uppstår.

⚠ VARNING: Se till att kåpan på trimmerhuvudet är ordentligt fäst på motorhuset enligt nedanstående beskrivning. I annat fall kan trimmerhuvudet flyga isär med allvarliga personskador som följd.

1. Tryck in kåpans spärrar för att lyfta bort locket och ta därefter ut rullen.

► Fig.39: 1. Spärr 2. Lock

2. Förbered ungefär 3 m (9 fot) med ny nylontråd. Vik den nya nylontråden så att den ena änden är ungefär 80 mm (3-1/8") längre än den andra änden. Kroka därefter fast den nya nylontråden i spåren i rullens mitt. Linda upp båda ändar stadigt runt rullen i maskinhuvudets rotationsriktning (moturs, indikerat med LH på rullens sida).

► Fig.40: 1. Rulle

3. Linda upp allt utom 100 mm (3 - 15/16") av trådarna och lämna tillfälligt ändarna fasthakade i en skåra på rullens sida.

► Fig.41

4. Montera rullen i kåpan så att spåren och de utskjutande delarna på rullen passar in med de i kåpan. Håll den sida av rullen med bokstäver synlig uppåt. Lossa nu trådändarna från dess tillfälliga placering och mata trådarna genom de små hålen så att de kommer ut genom kåpan.

► Fig.42: 1. Rulle 2. Kåpa 3. Små hål

5. Rikta in den utskjutande delen på undersidan av locket med skårorna i hålen. Tryck sedan ordentligt på locket på kåpan för att fästa det.

► Fig.43

Byta ut plastkniven

Byt ut kniven när den är sliten eller skadad.

► Fig.44

När du installerar plastkniven passar du in riktningen på pilen på kniven med den på skyddet.

► Fig.45: 1. Pil på skyddet 2. Pil på kniven

För att upprätthålla produktens SÄKERHET och TILLFÖRLITLIGHET bör allt underhålls- och justeringsarbete utföras av ett auktoriserat Makita servicecenter och med reservdelar från Makita.

FELSÖKNING

Innan du ber om reparation ska du först utföra en egen kontroll. Om du hittar ett problem som inte finns förklarat i bruksanvisningen ska du inte försöka att ta isär maskinen. Fråga istället ett auktoriserad servicecenter för Makita, och använd alltid reservdelar från Makita för reparationer.

Feltillstånd	Trolig orsak (felsfunktion)	Åtgärd
Motorn går inte.	Batterikassetten har inte satts i.	Sätt i batterikassetten.
	Batteriproblem (underspänning)	Ladda upp batteriet. Om det inte hjälper att ladda batteriet byter du ut det.
	Drivsystemet fungerar inte som det ska.	Lämna in till ditt lokala auktoriserade servicecenter för reparation.
Motorn stannar efter en kort stunds användning.	Batterinivån är låg.	Ladda upp batteriet. Om det inte hjälper att ladda batteriet byter du ut det.
	Överhettning.	Sluta använda maskinen och låt den svalna.
Motorn når inte maximalt varvtal.	Batteriet är felaktigt isatt.	Sätt i batterikassetten enligt anvisningarna i denna bruksanvisning.
	Batterinivån sjunker.	Ladda upp batteriet. Om det inte hjälper att ladda batteriet byter du ut det.
	Drivsystemet fungerar inte som det ska.	Lämna in till ditt lokala auktoriserade servicecenter för reparation.
Trimmerverktyget roterar inte: ⇒ Stoppa maskinen omedelbart!	Något främmande föremål (t.ex. en gren) har fastnat mellan skyddet och trimmerhuvudet.	Ta bort det främmande föremålet.
	Drivsystemet fungerar inte som det ska.	Lämna in till ditt lokala auktoriserade servicecenter för reparation.
Onormal vibration: ⇒ Stoppa maskinen omedelbart!	Ena änden av nylontråden har gått av.	Knacka trimmerhuvudet lätt mot marken medan det roterar så att nylontråden börjar matas ut.
	Drivsystemet fungerar inte som det ska.	Lämna in till ditt lokala auktoriserade servicecenter för reparation.
Trimmerverktyget och motorn stannar inte: ⇒ Ta omedelbart ur batteriet!	Elektriska eller elektroniska fel.	Ta ur batteriet och lämna in till ditt lokala auktoriserade servicecenter för reparation.

VALFRIA TILLBEHÖR

⚠ VARNING: Montera inte en metallkniv på denna maskin, och använd endast de tillbehör och tillsatser som rekommenderas av oss och som anges i denna bruksanvisning. Om metallkniv eller ej rekommenderade tillbehör eller tillsatser används kan detta ge upphov till allvarliga personskador.

⚠ FÖRSIKTIGT: Följande tillbehör eller tillsatser rekommenderas för användning med den Makita-maskin som denna bruksanvisning avser. Om andra tillbehör eller tillsatser används kan det uppstå risk för personskador. Använd endast tillbehören eller tillsatserna för de syften de är avsedda för.

Kontakta ditt lokala Makita servicecenter om du behöver ytterligare information om dessa tillbehör.

- Trimmerhuvud
- Nylontråd (kaptråd)
- Plastkniv
- Makitas originalbatteri och -laddare

OBS: Några av tillbehören i listan kan vara inkluderade i maskinpaketet som standardtillbehör. De kan variera mellan olika länder.

TEKNISKE DATA

Modell:		DUR187U	DUR187L	DUR188U	DUR188L
Type håndtak		Sykelhåndtak	Bøylehåndtak	Sykelhåndtak	Bøylehåndtak
Hastighet uten belastning		4 000/5 000/6 000 min ⁻¹			
Total lengde (uten skjæreverktøy)		1 791 mm			
Nylontrådens diameter		2,0 – 2,4 mm			
Gjelder skjæreverktøy og skjærediameter	Nylontrimmerhode (P/N 123932-5)	300 mm			
	Plastblad (delenr. 123954-5)	255 mm			
Nominell spenning		DC 18 V			
Nettovekt (under bruk BL1830B)	med nylontrimmerhode	3,8 kg	3,6 kg	4,1 kg	3,9 kg
	med plastblad	3,9 kg	3,6 kg	4,1 kg	3,9 kg
Batteriinnsett		BL1815N, BL1820, BL1820B, BL1830, BL1830B, BL1840, BL1840B, BL1850, BL1850B, BL1860B			

- På grunn av vårt kontinuerlige forsknings- og utviklingsprogram kan spesifikasjonene som oppgis i dette dokumentet endres uten varsel.
- Spesifikasjoner og batteriinnsett kan variere fra land til land.
- Vekt, med batteriinnsett, i henhold til EPTA-prosedyre 01/2003

Støy

Gjeldende standard : 2000/14/EC

Modell	Type	Gjennomsnittlig lydtryknivå	Gjennomsnittlig lydstyrkenivå	
		L _{PA} (dB (A))	L _{WA} (dB (A))	Usikkerhet K (dB (A))
DUR187U	Nylontrimmerhode	74	84	6,0
	Plastblad	79	88	0,8
DUR187L	Nylontrimmerhode	74	84	6,0
	Plastblad	79	88	0,8
DUR188U	Nylontrimmerhode	74	84	6,0
	Plastblad	79	88	0,8
DUR188L	Nylontrimmerhode	74	84	6,0
	Plastblad	79	88	0,8

- Selv om gjennomsnittlig lydtryknivå er oppført over som 80 dB (A) eller mindre, kan lyden når maskinen er i gang overskride 80 dB (A). Bruk hørselsvern.

Vibrasjoner

Gjeldende standard : EN50636-2-91

Modell	Type	Venstre hånd		Høyre hånd	
		a _{h,w} (m/s ²)	Usikkerhet K (m/s ²)	a _{h,w} (m/s ²)	Usikkerhet K (m/s ²)
DUR187U	Nylontrimmerhode	≤ 2,5	1,5	≤ 2,5	1,5
	Plastblad	≤ 2,5	1,5	≤ 2,5	1,5
DUR187L	Nylontrimmerhode	≤ 2,5	1,5	≤ 2,5	1,5
	Plastblad	≤ 2,5	1,5	≤ 2,5	1,5
DUR188U	Nylontrimmerhode	≤ 2,5	1,5	≤ 2,5	1,5
	Plastblad	≤ 2,5	1,5	≤ 2,5	1,5

DUR188L	Nylontrimmerhode	≤ 2,5	1,5	≤ 2,5	1,5
	Plastblad	≤ 2,5	1,5	≤ 2,5	1,5

MERK: Den angitte verdien for de genererte vibrasjonene er målt i samsvar med standardtestmetoden og kan brukes til å sammenlikne et verktøy med et annet.

MERK: Den angitte verdien for de genererte vibrasjonene kan også brukes til en foreløpig vurdering av eksponeringen.

⚠ ADVARSEL: De genererte vibrasjonene ved faktisk bruk av elektroverktøyet kan avvike fra den angitte vibrasjonsverdien, avhengig av hvordan verktøyet brukes.

⚠ ADVARSEL: Sørg for å identifisere vernetiltak for å beskytte operatøren, som er basert på et estimat av eksponeringen under de faktiske bruksforholdene (idet det tas hensyn til alle deler av driftssyklusen, dvs. hvor lenge verktøyet er slått av, hvor lenge det går på tomgang og hvor lenge startbryteren faktisk holdes trykket).

Symboler

Nedenfor ser du symbolene som brukes for dette utstyret. Forviss deg om at du forstår hva de betyr, før du begynner å bruke maskinen.

	Vær spesielt forsiktig og oppmerksom.
	Les bruksanvisningen.
	Vær oppmerksom på at objekter kan bli kastet ut.
	Avstanden mellom maskinen og andre personer enn operatøren må være minst 15 m.
	Hold tilskuere på avstand.
	Hold minst 15 m. avstand.
	Bruk hjelm, vernebriller og hørselsvern.
	Bruk vernehansker.
	Bruk robust føttøy med såler som gir godt feste. Vernesko med stålkappe anbefales.
	Må ikke utsettes for fuktighet.
	Høyeste tillatte hastighet for verktøyet.
	Bruk aldri metallblad.
	Kun for land i EU Kast aldri elektroutstyr eller batteripakker i husholdningsavfallet! I henhold til EU-direktivene om kasserte elektriske og elektroniske produkter og om batterier og akkumulatører og brukte batterier og akkumulatører og direktivenes iverksetting i nasjonal rett, må elektriske produkter og batterier og batteripakker som ikke lenger skal brukes, samles separat og returneres til et miljøvennlig gjenvinningsanlegg.

EFs samsvarserklæring

Gjelder kun for land i Europa

EFs samsvarserklæring er lagt til som vedlegg A i denne bruksanvisningen.

SIKKERHETSADVARSEL

VIKTIGE SIKKERHETSINSTRUKSJONER

⚠ ADVARSEL: Les alle sikkerhetsadvarslene og alle instruksjonene. Hvis du ikke følger alle advarslene og instruksjonene som er oppført nedenfor, kan det føre til elektriske støt, brann og/eller alvorlige helseskader.

Oppbevar alle advarsler og instruksjoner for senere bruk.

1. Gjør deg kjent med kontrollene og sett deg inn i hvordan utstyret fungerer.
2. Skjærelementer fortsetter å rotere etter at motoren er slått av.
3. La aldri barn eller personer som ikke er kjent med denne bruksanvisningen bruke maskinen.
4. Aldri bruk maskinen mens uvedkommende (særlig barn og kjæledyr) er til stede.
5. Bruk maskinen kun i dagslys eller annen god belysning.
6. Før bruk av maskinen og etter ethvert støt, må du sjekke om det finnes tegn på slitasje eller skade og reparere etter behov.
7. Se opp for personskade fra enheter montert for trimming av trådlengden. Etter forlengelse av ny skjæretråd skal maskinen alltid settes tilbake til normal bruksposisjon, før den slås på.
8. Bruk aldri skjærelementer av metall.
9. Dette verktøyet skal ikke brukes av personer (inklusive barn) med reduserte fysiske evner, sansevner eller mentale evner, eller som mangler erfaring og kunnskap, med mindre de er under oppsyn eller har fått instruksjoner som gjelder bruk av verktøyet av en person som er ansvarlig for deres sikkerhet. Barn må være under oppsyn, for å sikre at de ikke leker med apparatet.

10. Utstyret må brukes med største forsiktighet og oppmerksomhet.
11. Bruk utstyret bare hvis du er i god fysisk form. Utfør alt arbeid rolig og forsiktig. Bruk sunn fornuft og husk at operatøren er ansvarlig for ulykker eller farer som berører andre mennesker eller deres eiendom.
12. Bruk aldri utstyret om du er trøtt, føler deg syk eller er påvirket av alkohol eller medikamenter.
13. Utstyret bør slås av umiddelbart dersom det viser noe som helst slags tegn på unormal drift.

Riktig bruk av maskinen

1. Bruk riktig verktøy. Den batteridrevne gressstrimmeren er kun beregnet til trimming av gress og lett ugress. Den bør ikke brukes til noe annet, som f.eks. trimming av hekk, da dette kan forårsake skade.

Personlig verneutstyr

► Fig.1

► Fig.2

1. Bruk riktig arbeidstøy. Bruk funksjonelle og egnede klær. De bør være tettsittende, men ikke gjøre det vanskelig å bevege seg. Bruk ikke smykker eller klær som kan hekte seg fast i høyt gress. Bruk beskyttende hårnnett for å holde på langt hår.
2. Ha alltid på deg robust, sklisikkert fottøy når du bruker verktøyet. Dette beskytter mot helseskader og sørger for godt fotfeste.
3. Bruk vernebriller.

Elektrisk sikkerhet og batterisikkerhet

1. Unngå farlige omgivelser. Ikke bruk utstyret i fuktige eller våte omgivelser, og ikke utsett det for regn. Hvis det kommer vann inn i verktøyet, vil risikoen for elektriske støt øke.
2. Batteriet må kun lades opp igjen med en lader spesifisert av produsenten. En lader som passer til én batteritype, kan være brannfarlig når den brukes med en annen batteritype.
3. Bruk elektroverktøy kun med spesifikt angitte batterier. Hvis det brukes et hvilket som helst annet batteri, kan dette utgjøre en fare for helseskade og brann.
4. Når batteriet ikke er i bruk, må du holde verktøyet unna metallgjenstander som f.eks. binders, mynter, nøkler, spiker, skruer og andre små metallgjenstander som kan skape forbindelse mellom de to polene. Hvis batteripolene kortsluttes, kan du få brannskader, eller det kan begynne å brenne.
5. Hvis batteriet utsettes for hardhendt bruk, kan det lekke væske fra batteriet. Unngå kontakt med væsken. Hvis du kommer i kontakt med batterivæsken, må du skylle med vann. Kontakt lege hvis du får væske i øynene. Væske som kommer ut av batteriet kan forårsake irritasjon eller forbrenninger.
6. Ikke kast batteriet (batteriene) på åpen ild. Cellen kan eksplodere. Batterier skal leveres til en forhandler av elektroutstyr eller til et kommunalt avfallsmottak.
7. Ikke åpne eller ødelegg batteriet (batteriene). Elektrolytt som lekker ut er korroderende og kan forårsake skader på øyne og hud. Den kan være giftig hvis den svelges.

Starte opp verktøyet

► Fig.3

1. Forviss deg om at ingen barn eller andre personer oppholder seg innenfor en arbeidsradius på 15 meter, og ta også hensyn til eventuelle dyr i nærheten. I motsatt fall må du stanse bruken av utstyret.
2. Før bruk må du kontrollere at det vil være trygt å bruke utstyret. Kontroller at skjæreverktøyet er trygt å bruke og at vern og startbryteren/hendelen fungerer lett og på riktig måte. Kontroller at håndtakene er rene og tørre, og test av/på-funksjonen av startbryteren.
3. Kontroller utstyret med tanke på skadde deler, før du fortsetter å bruke det. Du må foreta en grundig sjekk av evt. skadde deler, som vern eller liknende, for å fastslå om de vil fungere som de skal og fylle sin tiltenkte funksjon. Kontroller at bevegelige deler beveger seg riktig i forhold til hverandre, at bevegelige deler kan bevege seg fritt, om noen deler er brukket, om monteringen er som den skal, eller om andre forhold kan påvirke driften av maskinen. Et vern eller en annen del som er skadet, må repareres ordentlig eller skiftes av vårt autoriserte servicesenter, med mindre det står noe annet i denne håndboken.
4. Motoren må kun slås på når hender og føtter er i god avstand fra skjærende verktøy.
5. Før du starter, må du forvise deg om at skjæreverktøyet ikke berører faste gjenstander som grener, steiner osv., da det vil rotere når det startes.

Bruksmåte

1. Bruk aldri maskinen med ødelagte vern eller uten at vern er på plass.
2. Utstyret må kun brukes i godt lys og med god sikt. Om vinteren må du være oppmerksom på glatte eller våte områder, is og snø (sklifare). Pass på at du har godt fotfeste.
3. Ta nødvendige forholdsregler for å unngå at skjærende verktøy skader føtter eller hender.
4. Hold hele tiden hender og føtter på avstand fra skjæremidler, og spesielt når motoren slås på.
5. Skjør aldri over midjehøyde.
6. Du må aldri bruke utstyret mens du står på en stige.
7. Arbeid aldri på ustabil underlag.
8. Ikke strekk. Pass alltid på at du holder balansen og har godt fotfeste.
9. Fjern sand, steiner, spiker osv. du finner innenfor arbeidsområdet. Fremmedlegemer kan ødelegge skjæreutstyret og kan bli kastet vekk og resultere i alvorlig helseskade.
10. Hvis skjæreverktøyet kommer i kontakt med steiner eller andre harde gjenstander, må du slå av motoren omgående og kontrollere skjæreverktøyet.
11. Før du begynner ryddingen, må skjæreverktøyet ha nådd full driftshastighet.
12. Når du bruker utstyret, må du alltid holde det med begge hender. Utstyret må aldri holdes med én hånd mens det er i bruk. Pass på at du har godt fotfeste.
13. Alt beskyttelsesutstyr, som vern, som følger med verktøyet må benyttes under bruk.

14. **Bortsett fra i nødstilfeller** må du aldri slippe eller kaste utstyret ned på bakken, da dette kan påføre utstyret store skader.
15. Du må aldri slepe utstyret langs bakken når du flytter det fra sted til sted, da dette kan påføre utstyret skade.
16. **Fjern batteriet fra verktøyet:**
 - når utstyret ikke blir betjent;
 - før du fjerner ting som har satt seg fast;
 - før du kontrollerer, renser eller utfører arbeid på utstyret;
 - før du foretar eventuelle justeringer, skifter tilbehør eller setter utstyret bort til oppbevaring;
 - når utstyret begynner å vibrere unormalt;
 - når utstyret fraktes.
17. **Bruk ikke makt på maskinen.** Det vil gjøre jobben bedre og med mindre risiko for skader i den hastigheten det er konstruert for.
18. **Ikke bruk elektriske verktøy i eksplosive atmosfærer, f.eks. i nærheten av brennbare væsker, gasser eller støv.** Elektriske verktøy avgir gnister som kan antenne støv eller damp.
19. **Ta pauser, for å unngå at du mister kontrollen på grunn av tretthet.** Vi anbefaler at du tar en pause på 10–20 minutter hver time.

Vedlikeholdsinstruksjoner

1. **Du må kontrollere tilstanden til skjæreverktøyet, beskyttelsesutstyret og skuldersonen, før du tar i bruk verktøyet.**
2. **Slå av motoren og fjern batteriet før du utfører vedlikehold, skifter ut skjæreverktøyet eller rengjør utstyret.**
3. **Etter bruk må du alltid ta batteriet ut av utstyret og kontrollere det for eventuell skade.**
4. **Kontroller om det finnes løse fester eller ødelagte deler som for eksempel er nesten avkuttet halvveis i skjæreverktøyet.**
5. **Utstyret oppbevares på et tørt sted som er låst eller utilgjengelig for barn når det ikke er i bruk.**
6. **Bruk bare reservedeler og tilbehør som er anbefalt av produsenten.**
7. **Pass på at ventilasjonsåpningene alltid holdes fri for rusk og rask.**
8. **Inspiser og vedlikehold utstyret med jevne mellomrom, særlig før og etter bruk. Reparasjoner skal utføres kun av vårt autoriserte servicecenter.**
9. **Hold håndtakene tørre, rene og fri for olje og smørefett.**

TA VARE PÅ DISSE INSTRUKSENE.

⚠ ADVARSEL: IKKE LA hensynet til hva som er "behagelig" eller det faktum at du kjenner produktet godt (etter mange gangers bruk) gjøre deg mindre oppmerksom på sikkerhetsreglene for bruken av det aktuelle produktet. Ved MISBRUK eller hvis ikke sikkerhetsreglene i denne bruksanvisningen følges, kan det oppstå alvorlig personskade.

Viktige sikkerhetsanvisninger for batteriinnsetts

1. Før du begynner å bruke batteriet, må du lese alle anvisninger og forsiktighetsregler på (1) batteriladeren, (2) batteriet og (3) det produktet batteriet skal brukes i.
2. **Ikke ta fra hverandre batteriet.**
3. Hvis driftstiden er blitt vesentlig kortere, må du omgående slutte å bruke maskinen. Hvis ikke kan resultatet bli overoppheting, mulige forbrenninger eller til og med en eksplosjon.
4. Hvis du får elektrolytt i øynene, må du skylle dem med store mengder rennende vann og oppsøke lege med én gang. Denne typen uhell kan føre til varig blindhet.
5. **Ikke kortslutt batteriet:**
 - (1) De kan være ekstremt varme og du kan brenne deg.
 - (2) Ikke lagre batteriet i samme beholder som andre metallgjenstander, som for eksempel spiker, mynter osv.
 - (3) Ikke la batteriet komme i kontakt med vann eller regn.

En kortslutning av batteriet kan føre til et kraftig strømstøt, overoppheting, mulige forbrenninger og til og med til at batteriet går i stykker.
6. **Ikke lagre maskinen og batteriet på steder hvor temperaturen kan komme opp i eller overskride 50 °C.**
7. **Ikke sett fyr på batteriet, ikke engang om det er sterkt skadet eller helt utslitt. Batteriet kan eksplodere hvis det begynner å brenne.**
8. **Vær forsiktig så du ikke mister batteriet eller utsetter det for slag.**
9. **Ikke bruk batterier som er skadet.**
10. **Lithium-ion-batteriene som medfølger er gjensstand for krav om spesialavfall.**
For kommersiell transport, f.eks av tredjeparter eller spediterer, må spesielle krav om pakking og merking følges. Før varen blir sendt, må du forhøre deg med en ekspert på farlig materiale. Ta også hensyn til muligheten for mer detaljerte nasjonale bestemmelser. Bruk teip eller maskeringsteip for å skjule åpne kontakter og pakk inn batteriet på en slik måte at den ikke kan bevege seg rundt i emballasjen.
11. **Følg lokale bestemmelser for avhending av batterier.**

TA VARE PÅ DISSE INSTRUKSENE.

⚠ FORSIKTIG: Bruk kun originale Makita-batterier. Bruk av batterier som har endret seg, eller som ikke er originale Makita-batterier, kan føre til at batteriet sprekker og forårsaker brann, personskader og andre skader. Det vil også ugyldiggjøre garantien for Makita-verktøyet og -laderen.

Tips for å opprettholde maksimal batterilevetid

1. **Lad batteriinnsettsen før den er helt utladet. Stopp alltid driften av verktøyet og lad batteriinnsettsen når du merker at effekten reduseres.**
2. **Lad aldri en batteriinnsetts som er fulladet. Overopplading forkorter batteriets levetid.**
3. **Lad batteriet i romtemperatur ved 10 °C - 40 °C. Et varmt batteri må kjøles ned før lading.**
4. **Lad batteriet hvis det ikke har vært brukt på en lang stund (over seks måneder).**

DELEBESKRIVELSE

► Fig.4

1	Batteriinnsetts	2	Av-sperreknapp	3	Startbryter	4	Oppheng
5	Håndtak	6	Vern (skjæreværktøybeskyttelse)	7	Ledningsbeskyttelse	8	Sperreknapp (kun DUR188U og DUR188L)
9	Skjøtedeksel (kun DUR188U og DUR188L)	10	Hette (kun DUR188U og DUR188L)	11	Hastighetsindikator	12	Indikator for automatisk hastighetsregulator
13	Strømlampe	14	Hovedstrømknapp	15	Reversknapp	16	Skuldersele

* Vernets form varierer fra land til land.

FUNKSJONSBEKRIVELSE

⚠ADVARSEL: Forviss deg alltid om at maskinen er slått av og batteriet tatt ut, før du justerer maskinen eller kontrollerer dens mekaniske funksjoner. Hvis du ikke slår av verktøyet og fjerner batteriet, kan det hende at verktøyet starter ved et uhell, noe som kan føre til alvorlig personskade.

Sette inn eller ta ut batteri

⚠FORSIKTIG: Slå alltid av verktøyet før du setter inn eller fjerner batteriet.

⚠FORSIKTIG: Hold verktøyet og batteripatronen i et fast grep når du monterer eller fjerner batteripatronen. Hvis du ikke holder verktøyet og batteripatronen godt fast, kan du miste grepet, og dette kan føre til skader på verktøyet og batteripatronen samt personskader.

► Fig.5: 1. Rød indikator 2. Knapp 3. Batteriinnsetts

For å ta ut batteriet må du skyve på knappen foran på batteriet og trekke det ut.

Når du skal sette inn batteriet, må du plassere tungen på batteriet på linje med sporet i huset og skyve batteriet på plass. Skyv det helt inn til det går i inngrep med et lite klikk. Hvis du kan se den røde anviseren på oversiden av knappen, er det ikke fullstendig låst.

⚠FORSIKTIG: Batteriet må alltid settes helt inn, så langt at den røde anviseren ikke lenger er synlig. Hvis dette ikke gjøres, kan batteriet komme til å falle ut av maskinen og skade deg eller andre som oppholder seg i nærheten.

⚠FORSIKTIG: Ikke bruk makt når du setter i batteriet. Hvis batteriet ikke glir lett inn, er det fordi det ikke settes inn på riktig måte.

Batterivernsystem for verktøy/batteri

Verktøyet er utstyrt med et batterivernsystem for verktøy/batteri. Dette systemet kutter automatisk strømmen til motoren for å forlenge verktøyets og batteriets levetid. Verktøyet stopper automatisk under drift hvis verktøyet eller batteriet utsettes for en av følgende tilstander:

Status	Indikatorlamper		
	■ På	□ Av	▣ Blinker
Overbelastning			
Overoppheting			
Overutlading			

Overlastsikring

Hvis verktøyet overbelastes som følge av ugress eller annet avfall som setter seg fast, begynner og de midtre indikatorene å blinke, og verktøyet stopper automatisk.

I dette tilfellet må du slå av verktøyet og avslutte bruken som forårsaket at verktøyet ble overbelastet. Slå deretter verktøyet på for å starte det igjen.

Overopphetingsikring for verktøy/batteri

Det finnes to typer overoppheting – verktøyoveroppheting og batterioveroppheting. Når verktøyet overopphe-tes, blinker alle hastighetsindikatorer. Når batteriet overopphe-tes, blinker -indikatoren.

Ved overoppheting stopper verktøyet automatisk. La verktøyet og/eller batteriet kjøle seg ned før du slår på verktøyet igjen.

Overutladingsvern

Når det blir lite batteri igjen, stopper verktøyet automa-tisk, og -indikatoren blinker.

Hvis verktøyet ikke går selv om bryterne aktiveres, må du ta batteriene ut av verktøyet og lade batteriene.

Indikere gjenværende batterikapasitet

Kun for batterier med indikatoren

► **Fig.6:** 1. Indikatorlamper 2. Kontrollknapp

Trykk på sjekk-knappen på batteriet for vise gjenværende batterikapasitet. Indikatorlampene lyser i et par sekunder.

Indikatorlamper			Gjenværende batterinivå
Tent	Av	Blinker	
			75 % til 100 %
			50 % til 75 %
			25 % til 50 %
			0 % til 25 %
			Lad batteriet.
			Batteriet kan ha en feil.

MERK: Det angitte nivået kan avvike noe fra den faktiske kapasiteten alt etter bruksforholdene og den omgivende temperaturen.

Strømbryterens funksjon

⚠ADVARSEL: Før du setter batteriet i maskinen, må du kontrollere at startbryteren beveger seg riktig og går tilbake til OFF når den slippes. Hvis du bruker maskinen med en bryter som ikke fungerer som den skal, kan du komme til å miste kontrollen, og det kan oppstå alvorlige helseskader.

⚠FORSIKTIG: Du må aldri plassere fingeren på bryteren når du bærer verktøyet. Verktøyet kan starte utilsiktet og forårsake skade.

Trykk på hovedstrømbryteren og hold den inne i noen sekunder for å slå på verktøyet.

Du slår av verktøyet ved å trykke på og holde hovedstrømbryteren inne en gang til.

► **Fig.7:** 1. Hovedstrømknapp

Maskinen er utstyrt med en låsespak som sikrer at startbryteren ikke kan trykkes inn ved en feiltakelse.

Du starter verktøyet ved å ta tak i håndtaket (spærreknappen kobles ut når du tar tak i håndtaket) og trykke inn startbryteren. Du stanser verktøyet ved å slippe opp startbryteren.

DUR187U og DUR188U

► **Fig.8:** 1. Av-sperreknapp 2. Startbryter

DUR187L og DUR188L

► **Fig.9:** 1. Av-sperreknapp 2. Startbryter

MERK: Verktøyet slår seg av automatisk når verktøyet ikke har vært i bruk i ett minutt.

Hastighetsjustering

Du kan justere hastigheten til verktøyet ved å trykke på hovedstrømknappen.

Hver gang du trykker på hovedstrømknappen, vil hastighetsnivået endre seg.

► **Fig.10:** 1. Hovedstrømknapp

Indikator	Modus	Rotasjonshastighet
	Automatisk	4 000 - 6 000 min ⁻¹
	Høy	6 000 min ⁻¹
	Middels	5 000 min ⁻¹
	Lav	4 000 min ⁻¹

Reversknapp for fjerning av avfall

⚠ADVARSEL: Slå av verktøyet og ta ut batteriet før du fjerner ugress eller avfall som har satt seg fast og som ikke blir fjernet av funksjonen for rotasjon i revers. Hvis du ikke slår av verktøyet og fjerner batteriet, kan det hende at verktøyet starter ved et uhell, noe som kan føre til alvorlig personskade.

Dette verktøyet er utstyrt med en reversbryter som lar deg endre rotasjonsretningen. Den skal bare brukes til å fjerne ugress og avfall som sitter fast i verktøyet. Du kan reversere rotasjonen ved å trykke på reversknappen og trykke inn startbryteren når verktøyhodet har stanset. Strømlampen begynner å blinke, og verktøyhodet roterer i revers når du trykker inn startbryteren. Du går tilbake til vanlig rotasjon ved å slippe opp bryteren og vente til verktøyhodet stanser.

► **Fig.11:** 1. Reversebryter

MERK: Når verktøyet roterer i revers, vil det kun gå i en kort tid og deretter stanse automatisk.

MERK: Når verktøyet har stanset, går rotasjonsretningen tilbake til den vanlige retningen når du starter verktøyet igjen.

MERK: Hvis du trykker på reversknappen mens verktøyhodet fortsatt roterer, stanses verktøyet. Det er deretter klart til å rotere i revers.

Nylontrimmerhode

Valgfritt tilbehør

OBS: Dunkematingen vil ikke fungere på en korrekt måte dersom ikke hodet roterer.

► **Fig.12:** 1. Mest effektive klippeområde

Nylontrimmerhodet er et gresstrimmerhode med dobbel snor, med støt- og matemekanismer. Trimmerhodet bør trykkes i bakken ved lav rotasjon for at nylontråden skal mates frem.

MERK: Hvis nylontråden ikke mates frem når trimmerhodet trykkes mot bakken, må du vikle opp/skifte ut nylontråden med de prosedyrene som er beskrevet under "Vedlikehold".

MONTERING

⚠ ADVARSEL: Pass alltid på at maskinen er slått av og batteriet er tatt ut, før det utføres noe arbeid på verktøyet. Hvis du ikke slår av verktøyet og fjerner batteriet, kan det hende at verktøyet starter ved et uhell, noe som kan føre til alvorlig personskade.

⚠ ADVARSEL: Start aldri opp verktøyet før det er fullstendig montert. Bruk av verktøyet i en delvis montert tilstand, kan resultere i alvorlig personskade ved tilfeldig oppstartning.

Montering av håndtaket

Kun for DUR187U og DUR188U

1. Sett skaffet på håndtaket inn i håndtaksfestet. Innrett skruhullet i håndtaksfestet med det i skaffet. Stram til skruen.

► **Fig.13:** 1. Håndtak 2. Skru 3. Håndtak

2. Plasser håndtaket mellom håndtaksklemmen og håndtakholderen. Juster håndtaket til en vinkel som gir en behagelig arbeidstilling, og fest det så med sekskantede pipehodeskruer.

► **Fig.14:** 1. Sekskantet pipehodeskruer
2. Håndtaksklemme

Montere festerøret

Kun for DUR188U og DUR188L

Monter festerøret på et drivverket.

1. Drei spaken i pilens retning som vist i figuren.

► **Fig.15:** 1. Spak

2. Dra opp skjøtedekselet, og sett inn festerøret samtidig som du innretter fresspringet på røret (skjærevrøstysiden) med den konkave delen av skjøtestykket.

► **Fig.16:** 1. Sperreknapp 2. Skjøtedeksel 3. Rør

Sørg for at overflaten av sperreknappen er parallell i forhold til røret.

3. Drei spaken i pilens retning som vist i figuren.

► **Fig.17:** 1. Spak

Når du skal fjerne røret, dreier du spaken i pilens retning som vist i figuren og drar ut røret samtidig som du trykker inn sperreknappen.

► **Fig.18:** 1. Spak 2. Sperreknapp 3. Rør

Montering av vernet

⚠ ADVARSEL: Aldri bruk verktøyet uten vernet som er vist på bildet. Hvis du unnlater å gjøre dette, kan det føre til alvorlig personskade.

⚠ FORSIKTIG: Vær forsiktig så du ikke skader deg på kniven som kutter nylontråden.

MERK: Vernets form varierer fra land til land.

1. Rett inn fresspringene på vernelekselet etter sporene på motorhuset.

► **Fig.19:** 1. Vernelekselet 2. Spor 3. Fresspring

2. Rett inn fresspringene på vernelekseholderen etter den konkave delen på motorhuset.

► **Fig.20:** 1. Vernelekseholder 2. Fresspring

3. Stram de sekskantede pipehodeskruene godt for å feste vernet og vernholderen.

► **Fig.21:** 1. Sekskantet pipehodeskruer
2. Sekskantnøkkel

Montering av ledningsbeskyttelse

⚠ FORSIKTIG: Vent med å justere ledningsbeskyttelsen til trimmerhodet har sluttet å rotere. Ikke juster ledningsbeskyttelsen med foten.

► **Fig.22**

For å redusere faren for å skade objekter foran trimmerhodet, setter du inn ledningsbeskyttelsen slik at den kontrollerer skjærevvidden for den bevegelige tråden.

Utvid forsiktig ledningsbeskyttelsen og sett den inn i hullene i vernelekselet.

► **Fig.23:** 1. Beskyttelsegitter

MERK: Ikke utvid ledningsbeskyttelsen for mye. Ellers kan den bryte.

Når ledningsbeskyttelsen ikke er i bruk, løfter du den til tomgangsposisjon.

► **Fig.24**

Montere nylontrimmerhodet

Valgfritt tilbehør

⚠ FORSIKTIG: Dersom nylontrimmerhodet ved et uhell treffer en stein eller et hardt materiale, må verktøyet slås av og kontrolleres for skade. Hvis nylontrimmerhodet er skadet, må det skiftes ut med en gang. Bruk av et skjærevrøstysom er skadet, kan føre til alvorlig personskade.

⚠ FORSIKTIG: Etter installasjon må du huske å ta vekk sekskantnøkkelen.

OBS: Pass på å bruke et originalt nylontrimmerhode fra Makita.

► **Fig.25:** 1. Nylontrimmerhode 2. Metallvern
3. Spindel 4. Sekskantnøkkel

1. Snu verktøyet opp ned, slik at du lett kan skifte ut skjærevrøstysom.

2. Sett sekskantnøkkelen inn gjennom hullet i motorhuset, og roter spindelen til spindelen låser seg.
3. Plasser nylontrimmerhodet direkte på den gjengede spindelen, og stram det ved å dreie det med mot klokken.
4. Fjern sekskantnøkkelen.

Du kan fjerne nylontrimmerhodet ved å dreie det med klokken mens du holder fast mottakerskiven med sekskantnøkkelen.

Montere plastblad

Valgfritt tilbehør

⚠FORSIKTIG: Hvis plastbladet ved et uhell tref-fer en stein eller et hardt materiale, må verktøyet slås av og kontrolleres for skade. Hvis plastbladet er skadet, må det skiftes ut med en gang. Bruk av et skjæreverktøy som er skadet, kan føre til alvorlig personskade.

⚠FORSIKTIG: Etter installasjon må du huske å ta vekk sekskantnøkkelen.

OBS: Pass på å bruke originale Makita-plastblad.

- Fig.26: 1. Plastblad 2. Metallvern
3. Sekskantnøkkel

1. Snu verktøyet opp ned, slik at du lett kan skifte ut skjæreverktøyet.
2. Sett sekskantnøkkelen inn gjennom hullet i motorhuset, og roter spindelen til spindelen låser seg.
3. Plasser plastbladet direkte på den gjengede spindel- den, og stram det ved å dreie det mot klokken.
4. Fjern sekskantnøkkelen.

For å ta av plastbladet, dreier du det med klokken mens du holder fast mottakerpakningen med sekskantnøkkelen.

Justere håndtaket/ opphengsposisjonen

Juster håndtaket og opphengsposisjonen slik at du kan håndtere verktøyet på en behagelig måte.

For DUR187U og DUR188U

Løsne de sekskantede pipehodeskruene nederst på håndtakholderen. Flytt håndtaket til en behagelig arbeidsstilling, og stram skruene.

- Fig.27: 1. Håndtakholder 2. Sekskantet pipehode- skruer 3. Håndtak

Løsne de sekskantede pipehodeskruene på opphenget. Flytt opphenget til en behagelig arbeidsstilling, og stram skruene.

- Fig.28: 1. Sekskantet pipehodeskrue 2. Oppheng

For DUR187L og DUR188L

Løsne de sekskantede pipehodeskruene på håndtaket. Flytt håndtaket til en behagelig arbeidsstilling, og stram skruene.

- Fig.29: 1. Sekskantet pipehodeskrue 2. Håndtak

Løsne den sekskantede pipehodeskruen på opphenget. Flytt opphenget til en behagelig arbeidsstilling, og stram skruen.

- Fig.30: 1. Sekskantet pipehodeskrue 2. Oppheng

Oppbevare sekskantnøkkel

⚠FORSIKTIG: Ikke glem sekskantnøkkelen i verktøyhodet. Det kan forårsake personskade og/ eller skade på verktøyet.

Når sekskantnøkkelen ikke er i bruk, må du oppbevare den som vist i figuren, slik at du ikke mister den.

- Fig.31: 1. Sekskantnøkkel

Kun for DUR187L og DUR188L

- Fig.32: 1. Håndtak 2. Sekskantnøkkel

BRUK

Korrekt bruk av verktøy

⚠ADVARSEL: Plasser alltid verktøyet på din høyre side. Korrekt posisjonering av verktøyet gir maksimal kontroll og reduserer risikoen for person- skader og tilbakeslag.

⚠ADVARSEL: Pass ekstremt godt på at du opprettholder kontrollen over maskinen i denne situasjonen. Ikke la verktøyet kastes mot deg eller noen andre i nærheten av arbeidsstedet. Hvis du ikke klarer å holde kontroll på verktøyet, kan det føre til alvorlige personskader på tilskuere og operatøren.

⚠ADVARSEL: Pass på at det er minst 15 m (50 fot) mellom operatører for å unngå uhell når to eller flere operatører arbeider innenfor et område. Sørg dessuten for at en person overvåker avstan- den mellom operatører. Hvis en person eller et dyr kommer inn i arbeidsområdet, må arbeidet stan- ses umiddelbart.

DUR187U og DUR188U

- Fig.33

DUR187L og DUR188L

- Fig.34

Festing av skuldersel

⚠FORSIKTIG: Fest alltid skulderselen ved bruk. Før du starter arbeidet, må du sørge for at skulderselen sitter riktig på for å unngå slitasje.

Koble kroken på skulderselen til opphenget, og ta på det skulderselen. Sørg for at verktøyet holdes godt fast av skulderselen.

DUR187U og DUR188U

- Fig.35: 1. Krok 2. Oppheng

DUR187L og DUR188L

- Fig.36: 1. Krok 2. Oppheng

Frakobling

Skulderselen har en hurtigtutløser.

DUR187U og DUR188U

► Fig.37: 1. Remse

Dra ut remsen for å frigjøre verktøyet fra skulderselen.

DUR187L og DUR188L

► Fig.38: 1. Spenne

Trykk på sidene av spennen for å koble verktøyet fra skulderselen.

VEDLIKEHOLD

⚠ ADVARSEL: Pass alltid på at maskinen er slått av og batteriet er tatt ut før du utfører kontroll eller vedlikehold på verktøyet. Hvis du ikke slår av verktøyet og fjerner batteriet, kan det hende at verktøyet starter ved et uhell, noe som kan føre til alvorlig personskade.

OBS: Aldri bruk gasolin, bensin, tynner alkohol eller lignende. Det kan føre til misfarging, deformering eller sprekkdannelse.

Skifte nylontråden

⚠ ADVARSEL: Bruk kun nylontråd med diameter som er oppført i "SPESIFIKASJONER". Bruk aldri tunge tau, metalltråder, tau eller lignende. Bruk bare anbefalte nylontråder. Hvis du ikke følger dette, kan det oppstå skade på verktøyet og alvorlig personskade.

⚠ ADVARSEL: Pass på at dekselet til nylontrimmerhodet er godt festet til huset, som beskrevet nedenfor. Dersom dekselet ikke er festet skikkelig, kan nylontrimmerhodet gå fra hverandre og forårsake alvorlige helseskader.

1. Trykk husets smekklåser innover for å løfte av dekselet, og fjern deretter spolen.
► Fig.39: 1. Smekklås 2. Deksel
2. Klargjør ca. 3 m (9 fot) ny nylontråd. Brett den nye nylontråden slik at den ene enden blir ca. 80 mm (3-1/8") lenger enn den andre enden. Fest deretter den nye nylontråden i hakket i midten av spolen. Surr begge ender godt rundt spolen i retningen som hodet roterer (venstre retning, som angitt av LH på siden av spolen).
► Fig.40: 1. Spole
3. Vikle opp all tråden, unntatt de ytterste 100 mm (3 - 15/16"), og fest endene midlertidig i et hakk på siden av spolen.
► Fig.41

4. Monter spolen i huset, slik at sporene og frem-springene på spolen passer med dem i huset. Hold siden med bokstaver på spolen synlig øverst. Løsne deretter trådendene fra deres midlertidige plassering, og før dem gjennom åpningene og ut av huset.
► Fig.42: 1. Spole 2. Hus 3. Åpning

5. Innrett fremspringet på undersiden av dekselet slik at det passer med åpningenes spor. Skyv deretter dekselet bestemt inn på huset for å feste det.
► Fig.43

Bytte ut plastbladet

Bytt ut bladet hvis det er utslitt eller ødelagt.

► Fig.44

Når du installerer et plastblad, pass på at pilretningen på bladet stemmer overens med pilretningen på beskytteren.

► Fig.45: 1. Pil på beskytteren 2. Pil på bladet

For å opprettholde produktets SIKKERHET og PÅLITELIGHET, må reparasjoner, vedlikehold og justeringer utføres av autoriserte Makita servicesentre eller fabrikkservicesentre, og det må alltid brukes reservedeler fra Makita.

FEILSØKING

Inspiser utstyret selv før du bestiller reparasjon. Ikke prøv å demontere verktøyet hvis du finner et problem som ikke er forklart i brukerveiledningen. I stedet bør du ta kontakt med et av Makitas autoriserte servicesentre, som alltid bruker reservedeler fra Makita til reparasjoner.

Unormal tilstand	Sannsynlig årsak (feil)	Løsning
Motoren går ikke.	Batteriet er ikke satt inn.	Installer batteriet.
	Batteriproblem (med spenning)	Lad batteriet. Hvis ladingen ikke virker, må batteriet skiftes ut.
	Drivsystemet virker ikke slik det skal.	Kontakt ditt nærmeste autoriserte servicesentre hvis det oppstår behov for reparasjon.
Motoren slutter å gå etter kort tids bruk.	Batteriets ladenivå er lavt.	Lad batteriet. Hvis ladingen ikke virker, må batteriet skiftes ut.
	Overoppheting.	Stopp bruken av verktøyet og la det avkjøles.
Den når ikke maksimalt antall omdreininger per minutt.	Batteriet er ikke riktig satt inn.	Sett inn batteriet som beskrevet i denne håndboken.
	Batterieffekten minsker.	Lad batteriet. Hvis ladingen ikke virker, må batteriet skiftes ut.
	Drivsystemet virker ikke slik det skal.	Kontakt ditt nærmeste autoriserte servicesentre hvis det oppstår behov for reparasjon.
Klippeverktøyet roterer ikke: ⇒ stans maskinen umiddelbart!	Fremmedlegemer, som for eksempel en gren, sitter fast mellom vernet og nylontrimmehodet.	Fjern fremmedlegemet.
	Drivsystemet virker ikke slik det skal.	Kontakt ditt nærmeste autoriserte servicesentre hvis det oppstår behov for reparasjon.
Unormale vibrasjoner: ⇒ stans maskinen umiddelbart!	Den ene enden av nylontråden har blitt ødelagt.	Trykk nylontrimmerhodet mot bakken mens den roterer for å mate tråden frem.
	Drivsystemet virker ikke slik det skal.	Kontakt ditt nærmeste autoriserte servicesentre hvis det oppstår behov for reparasjon.
Skjæreverktøyet og motoren stopper ikke: ⇒ Fjern batteriet umiddelbart!	Elektrisk eller elektronisk funksjonsfeil.	Fjern batteriet og kontakt ditt nærmeste autoriserte servicesentre for reparasjon.

VALGFRI TTILBEHØR

⚠ ADVARSEL: Du må ikke montere et metallblad på dette verktøyet, og du må bare bruke anbefalt tilbehør eller tilleggsutstyr som er angitt i denne håndboken. Hvis du bruker metallblad eller annet tilbehør eller tilleggsutstyr, kan det oppstå alvorlig personskade.

⚠ FORSIKTIG: Det anbefales at du bruker dette tilbehøret eller verktøyet sammen med den Makita-maskinen som er spesifisert i denne håndboken. Bruk av annet tilbehør eller verktøy kan forårsake personskader. Tilbehør og verktøy må kun brukes til det formålet det er beregnet på.

Ta kontakt med ditt lokale Makita-servicesentre hvis du trenger mer informasjon om dette tilbehøret.

- Nylontrimmerhode
- Nylontråd (kuttet tråd)
- Plastblad
- Makita originalbatteri og lader

MERK: Enkelte elementer i listen kan være inkludert som standardtilbehør i verktøypakken. Elementene kan variere fra land til land.

TEKNISET TIEDOT

Malli:		DUR187U	DUR187L	DUR188U	DUR188L
Kahvan tyyppi		Polkupyörän kahva	Silmukkakahva	Polkupyörän kahva	Silmukkakahva
Kuormittamaton kierrosnopeus		4 000/5 000/6 000 min ⁻¹			
Kokonaispituus (ilman leikkaustyökäluä)		1 791 mm			
Nailonsiiman halkaisija		2,0 - 2,4 mm			
Soveltuva leikkuutyökälu ja leikkuuhalkeaisija	Nylon leikkuupää (Osa nro. 123932-5)	300 mm			
	Muoviterä (Osanro 123954-5)	255 mm			
Nimellisjännite		DC 18 V			
Nettopaino (kun käytössä on BL1830B)	nailonsiimapäällä varustettuna	3,8 kg	3,6 kg	4,1 kg	3,9 kg
	muoviterällä varustettuna	3,9 kg	3,6 kg	4,1 kg	3,9 kg
Akkupaketti		BL1815N, BL1820, BL1820B, BL1830, BL1830B, BL1840, BL1840B, BL1850, BL1850B, BL1860B			

- Jatkuvasta tutkimus- ja kehitystyöstämme johtuen esitetyt tekniset tiedot saattavat muuttua ilman erillistä ilmoitusta.
- Tekniset tiedot ja akkupaketti voivat vaihdella maittain.
- Paino akkupaketilla, EPTA-menettelyn 01/2003 mukaan

Melutaso

Soveltuva standardi : 2000/14/EC

Malli	Tyyppit	Äänenpainetaso keskimäärin	Äänen tehotasoa keskimäärin	
		L _{PA} (dB (A))	L _{WA} (dB (A))	Epävarmuus K (dB (A))
DUR187U	Nylon leikkuupää	74	84	6,0
	Muoviterä	79	88	0,8
DUR187L	Nylon leikkuupää	74	84	6,0
	Muoviterä	79	88	0,8
DUR188U	Nylon leikkuupää	74	84	6,0
	Muoviterä	79	88	0,8
DUR188L	Nylon leikkuupää	74	84	6,0
	Muoviterä	79	88	0,8

- Vaikka edellä lueteltu äänenpainetaso on 80 dB (A) tai vähemmän, työskentelytilanteessa taso 80 dB (A) saattaa ylittyä. Käytä kuulosuojaimia.

Tärinä

Soveltuva standardi : EN50636-2-91

Malli	Tyyppit	Vasen käsi		Oikea käsi	
		a _{h,w} (m/s ²)	Epävarmuus K (m/s ²)	a _{h,w} (m/s ²)	Epävarmuus K (m/s ²)
DUR187U	Nylon leikkuupää	≤ 2,5	1,5	≤ 2,5	1,5
	Muoviterä	≤ 2,5	1,5	≤ 2,5	1,5
DUR187L	Nylon leikkuupää	≤ 2,5	1,5	≤ 2,5	1,5
	Muoviterä	≤ 2,5	1,5	≤ 2,5	1,5

DUR188U	Nylon leikkuupää	≤ 2,5	1,5	≤ 2,5	1,5
	Muoviterä	≤ 2,5	1,5	≤ 2,5	1,5
DUR188L	Nylon leikkuupää	≤ 2,5	1,5	≤ 2,5	1,5
	Muoviterä	≤ 2,5	1,5	≤ 2,5	1,5

HUOMAA: Ilmoitettu värinäpäästöarvo on mitattu standarditestausten mukaisesti, ja sen avulla voidaan vertailla työkaluja keskenään.

HUOMAA: Ilmoitettua värinäpäästöarvoa voidaan käyttää myös altistumisen alustavaan arviointiin.

VAROITUS: Työkalun käytön aikana mitattu todellinen värinäpäästöarvo voi poiketa ilmoitetusta värinäpäästöarvosta työkalun käyttötavan mukaan.

VAROITUS: Selvitä käyttäjän suojaamiseksi tarvittavat varoitukset todellisissa käyttöolosuhteissa tapahtuvan arvioidun altistumisen mukaisesti (ottaen huomioon käyttöjakso kokonaisuudessaan, myös jaksot, joiden aikana työkalu on sammutettuna tai käy tyhjäkäynnillä).

Symbolit

Laitteessa on käytetty seuraavia symboleja. Opettele niiden merkitys ennen käyttöä.



Noudata erityistä varovaisuutta ja kiinnitä huomiota.



Lue käyttöohje.



Vaara; varo sinkoutuvia kappaleita.



Sivullisten henkilöiden etäisyyden työkä-
lusta on oltava vähintään 15 m.



Pidä sivulliset poissa.



Pidä vähintään 15 m:n etäisyys.



Käytä kypärää, suojalaseja ja
kuulosuojaimia.



Käytä suojakäsineitä.



Käytä tukevia saappaita, joissa on luis-
tamaton pohja. On suositeltavaa käyttää
teräskärkisiä turvasaappaita.



Älä altista laitetta kosteudelle.



Työkalun suurin sallittu nopeus.



Älä koskaan käytä metalliterää.



Koskee vain EU-maita
Älä hävitä sähkölaitteita tai akkuja tavallisen kotitalousjätteen mukana! Sähkö- ja elektroniikkalaiteromua koskevan EU-direktiivin ja paristoja ja akkuja sekä käytettyjä paristoja ja akkuja koskevan direktiivin ja niiden maakohtaisten sovel-
lusten mukaisesti käytetyt sähkölaitteet ja akkupaketit (-paketit) on toimitettava ongelmajätteen keräyspisteeseen ja ohjattava ympäristöystävälliseen kierrätykseen.

EY-vaatimustenmukaisuusvakuutus

Koskee vain Euroopan maita

EY-vaatimustenmukaisuusvakuutus on liitetty tähän käyttöoppaaseen.

TURVAVAROITUKSET

TÄRKEITÄ TURVAOHJEITA

VAROITUS: Lue huolellisesti kaikki turvallisuusvaroitukset ja käyttöohjeet. Jos varoitusten ja ohjeiden noudattaminen laiminlyödään, seurauksena voi olla sähköisku, tulipalo ja/tai vakava vammautuminen.

Säilytä varoitukset ja ohjeet tule- vaa käyttöä varten.

1. Perehdy laitteen säätimiin ja asianmukaiseen käyttöön.
2. Leikkuupää jatkaa pyörimistä moottorin sammuttamisen jälkeen.
3. Älä anna lasten tai näihin ohjeisiin perehtymättömien henkilöiden käyttää laitetta.
4. Jos lähistöllä on muita henkilöitä, etenkin lapsia, tai lemmikkieläimiä, lopeta laitteen käyttö heti.
5. Käytä laitetta vain päivänvalossa tai kirkaassa keinovalossa.
6. Tarkista laitteen kunto ja korjaa mahdolliset vauriot aina ennen käyttöä ja laitteen saaman jälkeen.
7. Varo, ettet loukkaa itseäsi leikkaussiiman katkaisuun tarkoitettuihin välineisiin. Kun olet vetänyt uuden siiman oikeaan mittaansa, palauta laite aina normaaliin toimintatilaan ennen laitteen käyttämistä.
8. Älä koskaan kiinnitä metallisia leikkuuteriä.
9. Tämä laite ei ole tarkoitettu lasten tai sellaisten henkilöiden käytettäväksi (lapset mukaanlukien), joiden fyysiset, sensoriset tai henkiset kyvyt tai kokemuksen tai tiedon puute estävät heitä käyttämästä laitetta turvallisesti, ellei heidän turvallisuudestaan vastaava henkilö valvo heitä tai opasta heitä laitteen käytössä. Lapsia tulee pitää silmällä, jotta he eivät pääse leikkimään laitteella.

10. Työkalua käytettäessä tulee olla äärimmäisen huolellinen ja varovainen.
11. Käytä työkalua vain, jos olet hyvässä fyysisessä kunnossa. Työskentele rauhallisesti ja varovaisesti. Käytä tervettä järkeä ja muista, että käyttäjä vastaa itse tapaturmista tai vahingoista, jotka hän aiheuttaa muille ihmisille tai heidän omaisuudelleen.
12. Älä koskaan käytä työkalua väsyneenä, sairaana tai alkoholin tai huumaavien aineiden vaikutuksen alaisena.
13. Työkalu on sammutettava heti, jos työkalu vaikuttaa toimivan epänormaaliilla tavalla.

Työkalun käyttötarkoitus

1. Käytä tarkoitukseen sopivaa työkalua. Akkukäyttöinen viimeistelyleikkuri on tarkoitettu vain nurmikon ja ohuiden rikkakasvien leikkaamiseen. Sitä ei saa käyttää muihin tarkoituksiin, esimerkiksi pensasaidan leikkaamiseen, sillä tällainen käyttö voi aiheuttaa loukkaantumisen.

Henkilösuojaimet

► Kuva1

► Kuva2

1. Pukeudu asianmukaisesti. Käytettävän vaateuksen tulee olla asianmukaista ja käytännöllistä. Niiden tulee olla tyköistuvia, mutta ne eivät kuitenkaan saa haitata liikkumista. Älä käytä koruja tai vaatteita, jotka voivat tarttua korkeaan ruohikkoon. Peitä pitkä hiukset hiussuojalla.
2. Kun käytät työkalua, käytä aina tukevia kenkiä, joissa on luistamaton pohja. Se suojaa loukkaantumiselta ja varmistaa tukevan jalansijan.
3. Käytä suojalaseja.

Sähköturvallisuus ja akku

1. Vältä vaarallisia ympäristöjä. Älä käytä työkalua kosteissa tai märissä paikoissa äläkä altista sitä sateelle. Työkalun sisään päässyt vesi lisää sähköiskun vaaraa.
2. Lataa akkua vain valmistajan määrittämällä laturilla. Tietyille akkupaketille sopiva laturi voi aiheuttaa tulipalovaaran, jos sitä käytetään muuntyyppisen akkupaketin yhteydessä.
3. Käytä sähkötyökaluja vain määritysten mukaisten akkujen kanssa. Muuntyyppisten akkujen käyttäminen voi aiheuttaa loukkaantumisen- tai tulipalovaaran.
4. Kun akku ei ole käytössä, säilytä se erillään metalliesineistä, kuten paperiliittimistä, kolikoista, avaimista, nauloista, ruuveista ja muista pienistä metalliesineistä, jotka voivat yhdistää akun navat. Akun napojen oikosulkeminen voi aiheuttaa palovamman tai tulipalon.
5. Akusta voi vuotaa nestettä, jos sitä käsitellään väärin. Vältä kosketusta. Jos nestettä pääsee iholle vahingossa, huuhtele iho vedellä. Jos nestettä pääsee silmiin, hakeudu lääkärin hoitoon. Ulos purkautunut akkuneste voi ärsyttää ihoa tai aiheuttaa palovammoja.
6. Älä hävitä akkua (akkuja) polttamalla. Akkukenko voi räjähtää. Tarkista, onko paikallisissa määräyksissä erityisiä laitetta koskevia hävitysohjeita.

7. Älä avaa tai riko akkua (akkuja). Akusta mahdollisesti vuotava elektrolyytti on syövyttävää ja saattaa vaurioittaa ihoa tai silmiä. Se saattaa olla myrkyllistä nieltynä.

Työkalun käynnistys

► Kuva3

1. Varmista, että työskentelyalueella ei ole lapsia tai muita ihmisiä 15 metrin säteellä. Huomioi myös työskentelyalueen lähetyillä olevat eläimet. Muussa tapauksessa työkalun käyttäminen on lopetettava.
2. Varmista aina ennen käyttöä, että työkalun käyttö on turvallista. Tarkista terän ja suojuksen kiinnitys sekä vaihtokytkimen toimivuus. Tarkista, että kahvat ovat puhtaat ja kuivat ja että virta päälle-/pois-katkaisin toimii.
3. Tarkista ennen käyttöä, onko jokin työkalun osa vaurioitunut. Jos suojus tai jokin muu osa on vioittunut, on syytä tarkistaa, että se toimii moitteettomasti ja käyttötarkoituksensa mukaisella tavalla. Varmista, että liikkuvat osat ovat oikeissa asennoissa ja pääsevät liikkumaan esteettä. Tarkasta myös osien eheys, kiinnitykset sekä muut toimintaan mahdollisesti vaikuttavat seikat. Suojus tai muu vaurioitunut osa tulee viedä valtuutettuun huoltoliikkeeseen korjattavaksi tai vaihdettavaksi, jollei tässä käyttöoppaassa muuta mainita.
4. Kun käynnistät moottorin, varmista, että jalaksi ja kätesi ovat kaukana leikkaustyökalusta.
5. Varmista ennen käynnistystä, että leikkaustyökalu ei kosketa kovia esineitä, kuten oksia, kiviä jne., sillä leikkaustyökalu pyörii käynnistettäessä.

Käyttötavat

1. Älä koskaan käytä laitetta, jos suojukset ovat vaurioituneet tai ne on poistettu.
2. Käytä työkalua vain hyvissä valaistus- ja näkyvyysoloissa. Varo talviaikaan liukkaista tai märkiä alueita, jäätä ja lunta (liukastumisvaara). Varmista aina tukeva jalansija.
3. Varo, ettei terä vahingoita jalkojasi tai käsiäsi.
4. Pidä kätesi ja jalkasi kaukana leikkauspäästä erityisesti, kun käynnistät työkalun.
5. Älä koskaan leikkaa korkeammalta kuin vyötärön korkeudelta.
6. Älä koskaan seiso tikkailla työkalua käyttäessäsi.
7. Älä työskentele epävakailla alustoilla.
8. Älä kurota. Seiso tukevassa asennossa ja säilytä tasapainosi.
9. Poista hiekka, kivet, naulat jne. työskentelyalueelta. Virasesineet voivat vahingoittaa leikkaustyökalua ja aiheuttaa vaarallisia takapotkuja, jotka voivat tuottaa vakavia vammoja.
10. Jos terä osuu kiviin tai muihin koviin esineisiin, sammuta moottori heti ja tarkasta terä.
11. Terän pitää pyöriä täydellä nopeudella ennen leikkaamisen aloittamista.
12. Pidä työkalusta aina molemmin käsin kiinni käytön aikana. Älä koskaan kannattele työkalua yhdellä kädellä käytön aikana. Varmista aina tukeva jalansija.

- Käytön aikana on käytettävä kaikkia tarvittavia suojavarusteita, kuten työkalun mukana toimitettuja suojuksia.
- Älä koskaan pudota tai heitä työkalua maahan muutoin kuin hätätilanteessa, sillä se voi aiheuttaa työkalulle vakavia vaurioita.
- Älä koskaan siirrä työkalua vetämällä sitä maata pitkin, sillä se voi vahingoittaa työkalua.
- Irrota akku työkalusta:
 - kun poistut työkalun luota;
 - ennen tukoksen selvittämistä;
 - ennen työkalun tarkistamista, puhdistamista tai kunnossapitoa;
 - ennen säätöjen tekemistä, lisävarusteiden vaihtamista tai varastointia;
 - kun työkalu alkaa täristä epänormaalisti;
 - kun työkalua kuljetetaan.
- Älä käytä työkalua liian suurella voimalla. Laite toimii tarkoituksenmukaisesti ja loukkaantumisvaara pienenee, kun laitetta käytetään sille suunnitellulla teholla.
- Älä käytä sähkötyökaluja räjähdysvaarallisissa tiloissa, joissa on esimerkiksi palavia nesteitä, kaasuja tai pölyä. Sähkötyökalut synnyttävät kipinöitä, jotka voivat sytyttää pölyn tai kaasun.
- Pidä lepotaukoja, jotta et väsymykseltä menettä laitteiden hallintaa. On suositeltavaa pitää tunnin välein 10 – 20 minuutin tauko.

Huolto-ohjeet

- Ennen työn aloittamista on tarkistettava leikkaustyökalun, suojavarusteiden ja olkahihnan kunto.
- Sammuta moottori ja irrota akku ennen laitteen huoltamista, leikkaustyökalun vaihtamista tai laitteen puhdistamista.
- Irrota käytön jälkeen akku työkalusta ja tarkista työkalun kunto.
- Tarkista, ettei laitteessa ole irtonaisia kiinnittimiä tai vaurioituneita osia, kuten lähes katkenneita leikkusuimoja.
- Säilytä laitetta kuivassa lukitussa paikassa poissa lasten ulottuvilta.
- Käytä vain valmistajan suosittelempia varaosia ja tarvikkeita.
- Varmista, että ilmanvaihtoaukot eivät tukkeudu.
- Tarkista ja huolla työkalu säännöllisesti, erityisesti ennen käyttöä ja käytön jälkeen. Korjauta työkalu vain valtuutetussa huoltoliikkeessä.
- Pidä kahvat kuivina, puhtaina ja erossa öljystä ja rasvasta.

SÄILYTÄ NÄMÄ OHJEET.

VAROITUS: ÄLÄ anna työkalun helppokäyttöisyyden (toistuvan käytön aikaansaama) johtaa sinua väärään turvallisuuden tunteeseen niin, että laiminlyöt työkalun turvaohjeiden noudattamisen. VÄÄRINKÄYTTÖ tai tässä käyttöohjeessa ilmoitettujen turvämääräysten laiminlyönti voi aiheuttaa vakavia henkilövahinkoja.

Akkupakettia koskevia tärkeitä turvaohjeita

- Ennen akun käyttöönottoa tutustu kaikkiin laturissa (1), akussa (2) ja akkukäyttöisessä tuotteessa (3) oleviin varoitusteksteihin.
- Älä pura akkua.
- Jos akun toiminta-aika lyhenee merkittävästi, lopeta akun käyttö. Seurauksena voi olla ylikuumentuminen, palovammoja tai jopa räjähdys.
- Jos akkunestettä pääsee silmiin, huuhtele puhtaalla vedellä ja hakeudu välittömästi lääkärin hoitoon. Akkuneste voi aiheuttaa näön menetyksen.
- Älä oikosulje akkua.
 - Älä koske akun napoihin millään sähköä johtavalla materiaaalilla.
 - Vältä akun oikosulkemista äläkä säilytä akkua yhdessä muiden metalliesineiden, kuten naulojen, kolikoiden ja niin edelleen kanssa.
 - Älä aseta akkua alttiiksi vedelle tai sateelle. Oikosulku voi aiheuttaa virtapiikin, ylikuumentumista, palovammoja tai laitteen rikkoontumisen.
- Älä säilytä työkalua ja akkua paikassa, jossa lämpötila voi nousta 50 °C:een tai sitäkin korkeammaksi.
- Älä hävitä akkua polttamalla, vaikka se olisi pahoin vaurioitunut tai täysin loppuun kulunut. Avotuli voi aiheuttaa akun räjähtämisen.
- Varo kolhimasta tai pudottamasta akkua.
- Älä käytä viallista akkua.
- Sisältyviä litium-ioni-akkuja koskevat vaarallisten aineiden lainsäädännön vaatimukset. Esimerkiksi kolmansien osapuolten huolintaliikkeiden tulee kaupallisissa kuljetuksissa noudattaa pakkaamista ja merkintöjä koskevia erityisvaatimuksia. Lähetettävän tuotteen valmistelu edellyttää vaarallisten aineiden asiantuntijan neuvontaa. Huomioi myös mahdollisesti yksityiskohtaisemmat kansalliset määräykset Akun avoimet liittimet tulee suojata teipillä tai suojuksella ja pakkaaminen tulee tehdä niin, ettei akku voi liikkua pakkauksessa.
- Hävitä akku paikallisten määräysten mukaisesti.

SÄILYTÄ NÄMÄ OHJEET.

HUOMIO: Käytä vain alkuperäisiä Makita-akkuja. Muiden kuin aitojen Makita-akkujen, tai mahdollisesti muutettujen akkujen käyttö voi johtaa akun murtumiseen ja aiheuttaa tulipaloja, henkilö- ja omaisuusvahinkoja. Se mitätöi myös Makita-työkalun ja -laturin Makita-takuun.

Vihjeitä akun käyttöiän pidentämiseksi

- Lataa akku ennen kuin se purkautuu täysin. Lopeta aina työkalun käyttö ja lataa akku, jos huomaat työkalun tehon vähenevän.
- Älä koskaan lataa uudestaan täysin ladattua akkua. Ylilataaminen lyhentää akun käyttöikä.
- Lataa akku huoneen lämpötilassa välillä 10 °C - 40 °C. Anna kuuman akun jäähtyä ennen lataamista.
- Lataa akkupaketti, jos et käytä sitä pitkään aikaan (yli kuusi kuukautta).

OSIEN KUVAUS

► Kuva4

1	Akkupaketti	2	Lukituksen vapautusvipu	3	Liipaisinkytkin	4	Kannatin
5	Kahva	6	Suojus (leikkuutyökalun suoja)	7	Lankasuojus	8	Lukitusvipu (vainDUR188U ja DUR188L)
9	Liitoksen suojus (vainDUR188U ja DUR188L)	10	Kansi (vainDUR188U ja DUR188L)	11	Nopeusilmaisain	12	Automaattisen nopeudenohjaimen ilmaisain
13	Virtavallo	14	Pääviritapainike	15	Peruutuspainike	16	Olkahihna

* Suojuksen muoto vaihtelee maan mukaan.

TOIMINTOJEN KUVAUS

VAROITUS: Varmista aina ennen työkalun säätöjä ja tarkastuksia, että työkalu on sammutettu ja akkupaketti irrotettu. Jos virtaa ei katkaista eikä akkua irroteta, työkalu voi käynnistyä vahingossa ja aiheuttaa vakavan tapaturman.

Akun asentaminen tai irrottaminen

HUOMIO: Sammuta työkalu aina ennen akun kiinnittämistä tai irrottamista.

HUOMIO: Pidä työkalusta ja akusta tiukasti kiinni, kun irrotat tai kiinnität akkua. Jos akkupaketti tai työkalu putoaa, ne voivat vaurioitua tai aiheuttaa tapaturman.

► **Kuva5:** 1. Punainen merkivalo 2. Painike 3. Akkupaketti

Irrota akku painamalla akun etupuolella olevaa painiketta ja vetämällä akku ulos työkalusta.

Akku liitetään sovitamalla akun kieleke rungon uraan ja työntämällä se sitten paikoilleen. Työnnä akku pohjaan asti niin, että kuulet sen napsahdavan paikoilleen. Jos painikkeen yläpuolella näkyy punainen ilmaisain, akku ei ole lukkiutunut täysin paikoilleen.

HUOMIO: Työnnä akku aina pohjaan asti, niin että punainen ilmaisain ei enää näy. Jos akku ei ole kunnolla paikallaan, se voi pudota työkalusta ja aiheuttaa vammoja joko sinulle tai sivullisille.

HUOMIO: Älä käytä voimaa akun asennuksessa. Jos akku ei liu'u paikalleen helposti, se on väärässä asennossa.

Työkalun/akun suojausjärjestelmä

Työkalu on varustettu työkalu/akun suojausjärjestelmällä. Tämä järjestelmä pidentää työkalun ja akun käyttöikää katkaisemalla automaattisesti moottorin virran. Työkalu pysähtyy automaattisesti kesken käytön, jos työkalussa tai akussa ilmenee jokin seuraavista tilanteista:

Tila	Merkivalot		
	<input checked="" type="checkbox"/> Päällä	<input type="checkbox"/> Pois päältä	<input checked="" type="checkbox"/> Viikkuu
Ylikuormitus			
Ylikuumentuminen			
Ylityhjentymisen			

Ylikuormitussuoja

Jos työkalu on ylikuormittunut juuttuneiden rikkaruohojen tai muiden riskien johdosta, ja keski-ilmaisimet alkavat vilkkumaan ja työkalu sammuu automaattisesti. Katkaise tässä tilanteessa työkalusta virta ja lopeta ylikuormitustilan aiheuttanut käyttö. Käynnistä sitten työkalu uudelleen kytkemällä siihen virta.

Työkalun tai akun ylikuumentumissuoja

Ylikuumentumistyyppejä on kaksi; työkalun ylikuumentuminen ja akun ylikuumentuminen. Kun työkalun ylikuumentuminen tapahtuu, kaikki nopeusilmaisimet vilkkuvat. Kun akun ylikuumentuminen tapahtuu, -ilmaisain vilkkuu.

Jos ylikuumentuminen tapahtuu, työkalu pysähtyy automaattisesti. Anna työkalun ja/tai akun jäähtyä, ennen kuin kytket työkalun uudelleen päälle.

Ylipurkautumissuoja

Jos akun varaus käy vähiiin, työkalu pysähtyy automaattisesti ja -ilmaisain vilkkuu.

Jos työkalu ei toimi, vaikka kytkimiä käytetään, irrota akut työkalusta ja lataa ne.

Akun jäljellä olevan varaustason ilmaisin

Vain akkupaketeille ilmaisimella

► **Kuva6:** 1. Merkkivalot 2. Tarkistuspainike

Painamalla tarkistuspainiketta saat näkyviin akun jäljellä olevan varauksen. Merkkivalot palavat muutaman sekunnin ajan.

Merkkivalot			Akussa jäljellä olevan varaus
Palaa	Pois päältä	Viilkuu	
			75% - 100%
			50% - 75%
			25% - 50%
			0% - 25%
			Lataa akku.
			Akussa on saattanut olla toimintahäiriö.

HUOMAA: Ilmoitettu varaustaso voi erota hieman todellisesta varaustasosta sen mukaan, millaisissa oloissa ja missä lämpötilassa laitetta käytetään.

Virtakytkimen toiminta

VAROITUS: Varmista aina ennen akkupaketin asentamista työkaluun, että liipaisinkytkin toimii moitteettomasti ja palautuu vapautettaessa OFF-asentoon. Jos työkalua käytetään, vaikka kytkin ei toimi moitteettomasti, seurauksena voi olla vakava henkilövahinko.

HUOMIO: Älä koskaan pidä sormea kytkimellä kantaessasi työkalua. Työkalu voi käynnistyä odottamattomasti ja aiheuttaa tapaturman.

Kytke työkaluun virta pitämällä päävirtapainiketta painettuna muutaman sekunnin ajan.

Katkaise työkalun virta pitämällä päävirtapainiketta uudelleen painettuna.

► **Kuva7:** 1. Päävirtapainike

Laitteessa on lukitusvipu, joka estää liipaisinkytkimen painamisen vahingossa.

Käynnistä työkalu tarttumalla kahvaan (ote irrottaa lukitusvipun) ja painamalla sitten liipaisinkytkintä. Pysäytä työkalu vapauttamalla liipaisinkytkin.

DUR187U ja DUR188U

► **Kuva8:** 1. Lukituksen vapautusvipu
2. Liipaisinkytkin

DUR187L ja DUR188L

► **Kuva9:** 1. Lukituksen vapautusvipu
2. Liipaisinkytkin

HUOMAA: Työkalun virta katkeaa automaattisesti, kun työkalu on ollut minuutin käyttämättömänä.

Nopeuden säätö

Voit säätää työkalun nopeutta napauttamalla päävirtapainiketta.

Nopeustaso muuttuu joka kerta kun kosketat päävirtapainikkeeseen.

► **Kuva10:** 1. Päävirtapainike

Ilmainen	Tila	Pyörimisnopeus
	Automaattinen	4 000 - 6 000 min ⁻¹
	Korkea	6 000 min ⁻¹
	Keskitaso	5 000 min ⁻¹
	Pieni	4 000 min ⁻¹

Suunnanvaihtopainike roskien irrottamiseen

VAROITUS: Katkaise työkalun virta ja irrota akku ennen sellaisten takertuneiden rikkaruohojen ja roskien irrottamista, jotka eivät irtoa pyörimissuuntaa vaihtamalla. Jos virtaa ei katkaista eikä akkua irroteta, työkalu voi käynnistyä vahingossa ja aiheuttaa vakavan tapaturman.

Tässä työkalussa on suunnanvaihtopainike. Se on tarkoitettu vain työkaluun takertuneiden rikkaruohojen ja roskien irrottamiseen.

Voit vaihtaa kiertosuunnan napauttamalla suunnanvaihtopainiketta ja vetämällä liipaisinkytkintä, kun työkalun leikkuupää on pysähtynyt. Kun vedät liipaisinkytkintä, virran merkkivalo alkaa vilkkua ja työkalun leikkuupää alkaa pyöriä vastakkaiseen suuntaan.

Kun haluat palauttaa pyörimissuunnan normaaliksi, vapauta liipaisin ja odota, että työkalun leikkuupää pysähtyy.

► **Kuva11:** 1. Suunnanvaihtopainike

HUOMAA: Työkalu pyörii vastakkaiseen suuntaan vain lyhyen ajan kerrallaan, minkä jälkeen se pysähtyy automaattisesti.

HUOMAA: Kun työkalu on pysähtynyt, pyörimissuunta palautuu normaaliksi, kun käynnistät työkalun uudelleen.

HUOMAA: Jos napautat suunnanvaihtopainiketta työkalun leikkuupään pyöriessä, työkalu pysähtyy ja on valmis pyörimissuunnan vaihtamiseen.

Nylon leikkuupää

Lisävaruste

HUOMAUTUS: Siiman syöttäminen napauttamalla ei toimi oikein, jos siimapää ei pyöri.

► **Kuva12:** 1. Tehokkain leikkuaalue

Nailonsiimapää on kaksisiimainen viimeistelyleikkuripää, jossa on napautusten mukaan ohjautuva syöttömekanismi. Jos haluat syöttää nailonsiimaa lisää ulos, napauta leikkua-päästä maata vasten työkalun pyöriessä hitaalla nopeudella.

HUOMAA: Jos pään napauttaminen ei tuota ulos lisää siimaa, kelaa siima takaisin tai vaihda se kohdassa "Kunnossapito" kuvatulla tavalla.

KOKOONPANO

VAROITUS: Varmista aina ennen työkalulle tehtäviä toimia, että laite on sammutettu ja akku on irrotettu. Jos virtaa ei katkaista eikä akkua irroteta, työkalu voi käynnistyä vahingossa ja aiheuttaa vakavan tapaturman.

VAROITUS: Älä koskaan käynnistä työkalua, jos sen kaikki osat eivät ole paikallaan. Jos kaikkia osia ei ole koottu, työkalu voi käynnistyä tahattomasti ja aiheuttaa vakavia vammoja.

Kahvan asentaminen

Vain DUR187U ja DUR188U

1. Työnnä kahvan varsi kahvaan. Kohdista kahvassa oleva ruuvinreikä varressa olevaan ruuvinreikään. Kiristä ruuvi tiukasti.

► **Kuva13:** 1. Kädensija 2. Ruuvi 3. Kahva

2. Aseta kahva kahvan kiinnitysholkien ja kahvan pitimen väliin. Säädä kahva kulmaan, joka mahdollistaa miellyttävän työskentelyasennon, ja kiristä sitten tiukkaan kuusiokantapulteilla.

► **Kuva14:** 1. Kuusiokantapultti 2. Kahvan kiinnike

Työkalun putken asentaminen

Vain DUR188U ja DUR188L

Työkalun putken kiinnittäminen voimanlähteeseen.

1. Kierrä vipua nuolen suuntaan.

► **Kuva15:** 1. Vipua

2. Vedä liitoksen suojus ylös ja aseta työkalun putki kohdistamalla samalla putken ulkoneman (leikkutyökalun puoli) liitososan koveran osan kanssa.

► **Kuva16:** 1. Lukitusvipu 2. Liitoksen suojus 3. Putki

Varmista, että lukitusvivun pinta on putken suuntainen.

3. Kierrä vipua nuolen suuntaan.

► **Kuva17:** 1. Vipua

Poita putki kiertämällä vipua kuvan nuolen osoittamaan suuntaan ja vedä putki ulos painamalla samalla lukitusvipua.

► **Kuva18:** 1. Vipua 2. Lukitusvipu 3. Putki

Suojuksen asentaminen

VAROITUS: Älä koskaan käytä työkalua ilman kuvassa näkyvää suojusta. Muuten seurauksena voi olla vakavia vammoja.

HUOMIO: Varo, ettet loukkaa itseäsi nailonsiiman katkaisemiseen tarkoitettuun leikkuriin.

HUOMAA: Suojuksen muoto vaihtelee maan mukaan.

1. Kohdista suojuksen ulokkeet moottorikotelon uriin.

► **Kuva19:** 1. Suojus 2. Ura 3. Suojus

2. Kohdista suojuksen pidikkeen ulokkeet vastaaviin moottorikotelon syvennyksiin.

► **Kuva20:** 1. Suojuksen pidike 2. Uloke

3. Kiristä kuusiokantapultit tiukkaan suojuksen ja suojuksen pidikkeen kiinnittämiseksi.

► **Kuva21:** 1. Kuusiokantapultti 2. Kuusioavain

Lankasuojuksen asentaminen

HUOMIO: Odota ennen lankasuojuksen asentamista, että siimapää pysähtyy. Älä säädä lankasuojusta jalalla.

► **Kuva22**

Lankasuojuksen asentaminen vähentää siimapään edessä olevien kohteiden vaurioitumisvaaraa, sillä se auttaa hallitsemaan siiman leikkaamaa aluetta.

Levitä lankasuojuksen päitä hieman ja työnnä ne paikalleen suojukseen.

► **Kuva23:** 1. Lankasuojus

HUOMAA: Älä levitä lankasuojuksen päitä liikaa. Muuten se voi murtua.

Kun lankasuojusta ei käytetä, nosta se lepoasentoon.

► **Kuva24**

Nailonsiimapään asentaminen

Lisävaruste

HUOMIO: Jos nailonsiimapää osuu vahingossa käytön aikana kiveen tai kovaan esineeseen, sammuta työkalu tarkista, ettei se ole vaurioitunut. Jos nailonsiimapää on vaurioitunut, vaihda se heti. Vaurioituneen leikkutyökalun käyttäminen voi aiheuttaa vakavia vammoja.

HUOMIO: Muista poistaa kuusioavain asentamisen jälkeen.

HUOMAUTUS: Käytä vain aitoja Makita-nailonsiimapäitä.

► **Kuva25:** 1. Nylon leikkuupää 2. Metallisuojus 3. Kara 4. Kuusioavain

1. Käännä työkalu ylösalaisin niin, että voit vaihtaa leikkutyökalun helposti.

2. Aseta kuusioavain moottorikotelossa olevaan koloon ja kierrä karaa, kunnes se lukittuu.

3. Kiinnitä nailonsiimapää suoraan kiertaiseen karaan ja kiristä se kiertämällä sitä vastapäivään.

4. Irrota kuusioavain.

Irrota nailonsiimapää kiertämällä sitä myötöpäivään samalla pitäen vasta-aluslevyvä paikallaan kuusioavaimella.

Muoviterän asennus

Lisävaruste

▲HUOMIO: Jos muoviterä osuu vahingossa käytön aikana kiveen tai kovaan esineeseen, sammuta työkalu tarkista, ettei se ole vaurioitunut. Jos muoviterä on vaurioitunut, vaihda se heti. Vaurioituneen leikkuutyökalun käyttäminen voi aiheuttaa vakavia vammoja.

▲HUOMIO: Muista poistaa kuusioavain asentamisen jälkeen.

HUOMAUTUS: Käytä vain aitoja Makita-muoviteriä.

► **Kuva26:** 1. Muoviterä 2. Metallisuoja
3. Kuusioavain

1. Käännä työkalu ylösalaisin, minkä jälkeen voit helposti vaihtaa leikkuuterän.
2. Aseta kuusioavain moottorikotelossa olevaan koloon ja kierrä karaa, kunnes se lukittuu.
3. Kiinnitä muoviterä suoraan karakierteeseen ja kiristä se kiertämällä vastapäivään.
4. Irrota kuusioavain.

Irrota muoviterä kiertämällä sitä myötöpäivään samalla pitäen vasta-aluslevyvä paikallaan kuusioavaimella.

Kahvan/ripustimen asennon säätö

Säädä kahvan ja ripustimen asentoa mukavan työskentelyasennon saamiseksi.

Vain **DUR187U** ja **DUR188U**

Löysää kuusiokantapultteja kahvan pidikkeen alaosassa. Siirrä kahva miellyttävään työasentoon ja kiristä pultit.

► **Kuva27:** 1. Kahvan pidike 2. Kuusiokantapultti
3. Kahva

Löysää kuusiokantapultteja ripustimessa. Siirrä ripustin miellyttävään työasentoon ja kiristä pultit.

► **Kuva28:** 1. Kuusiokantapultti 2. Kannatin

Vain **DUR187L** ja **DUR188L**

Löysää kuusiokantapultteja kahvassa. Siirrä kahva miellyttävään työasentoon ja kiristä pultit.

► **Kuva29:** 1. Kuusiokantapultti 2. Kahva

Löysää kuusiokantapulttia ripustimessa. Siirrä ripustin miellyttävään työasentoon ja kiristä pultti.

► **Kuva30:** 1. Kuusiokantapultti 2. Kannatin

Kuusioavaimen varastointi

▲HUOMIO: Älä jätä kuusioavainta työkalun päähän. Tämä voi aiheuttaa tapaturman ja/tai työkalun vaurioitumisen.

Säilytä kuusioavainta kuvan osoittamassa paikassa, ettei se pääse katoamaan.

► **Kuva31:** 1. Kuusioavain

Vain **DUR187L** ja **DUR188L**

► **Kuva32:** 1. Kahva 2. Kuusioavain

TYÖSKENTELY

Työkalun oikea käsittely

▲VAROITUS: Aseta työkalu aina oikealle puolellesi. Työkalun oikea sijainti takaa sen mahdollisimman hyvän hallittavuuden ja vähentää takapotkun aiheuttamaa loukkaantumisvaaraa.

▲VAROITUS: Huolehdi aina, että työkalu pysyy hallinnassasi. Älä anna työkalun ohjautua itseäsi tai muita lähetyillä olevia ihmisiä kohti. Työkalun hallinnan menettäminen voi aiheuttaa vakavia vammoja sivullisille tai työkalun käyttäjille.

▲VAROITUS: Onnettomuuksien välttämiseksi, pidä vähintään 15m (50 ft) etäisyys muihin käyttäjiin, jos kaksi tai useampi käyttäjä työskentelee alueella. Määrää myös henkilö valvomaan käyttäjien välistä etäisyyttä. Jos henkilö tai eläin kulkee alueelle, lopeta käyttö välittömästi.

DUR187U ja **DUR188U**

► **Kuva33**

DUR187L ja **DUR188L**

► **Kuva34**

Olkahinnan kiinnittäminen

▲HUOMIO: Käytä aina kiinnitettyjä olkavaljaita. Säädä olkavaljaita käyttäjän koon mukaan ennen käyttöä, ehkäisemään väsymistä.

Liitä olkahinnan koukku ripustimeen ja pue olkahinna päällesi. Varmista, että olkahinna pitää työkalun tukevasti.

DUR187U ja **DUR188U**

► **Kuva35:** 1. Koukku 2. Kannatin

DUR187L ja **DUR188L**

► **Kuva36:** 1. Koukku 2. Kannatin

Irrotus

Olkahinna sisältää pikairrotustoiminnon.

DUR187U ja **DUR188U**

► **Kuva37:** 1. Liuska

Vedä nauha ulos työkalun irrottamiseksi olkanauhasta.

DUR187L ja **DUR188L**

► **Kuva38:** 1. Solki

Voit irrottaa työkalun olkanauhasta painamalla soljen reunoja.

KUNNOSSAPITO

VAROITUS: Varmista aina ennen säätöjä tai tarkastuksia, että laite on sammutettu ja akku on irrotettu. Jos virtaa ei katkaista eikä akkua irroteta, työkalu voi käynnistyä vahingossa ja aiheuttaa vakavan tapaturman.

HUOMAUTUS: Älä koskaan käytä bensiiniä, ohenteita, alkoholia tai tms. aineita. Muutoin pinta voi halkeilla tai sen värit ja muoto voivat muuttua. Muutoin laitteeseen voi tulla värjäytyimiä, muodon vääristymiä tai halkeamia.

Nailonsiiman vaihtaminen

VAROITUS: Käytä vain nailonsiimaa, jonka halkeaisija vastaa ”TEKNISTEN TIETOJEN” määrittämiä. Älä käytä vahvempaa siimaa, metallilankaa narua, tai vastavaa. Käytä vain suositeltua nailonsiimaa, sillä muut materiaalit voivat vaurioittaa työkalua ja aiheuttaa vakavia vammoja.

VAROITUS: Varmista, että nailonsiimapään kansi on tukevasti kiinni kotelossa alla kuvatulla tavalla. Jos kansi ei ole tukevasti kiinni, nailonsiimapää voi sinkoutua irti ja aiheuttaa vakavan tapaturman.

1. Paina kotelon salpoja sisään kannen nostamiseksi, poista sitten kela.
► **Kuva39:** 1. Salpa 2. Kansi

2. Ota n. 3 metriä (9 ft) uutta siimaa esiin. Taita nailonsiima niin, että yksi pää on n. 80 mm (3-1/8”) pidempi kuin toinen pää. Kiinnitä sitten uusi nailonsiima loveen kelan keskellä. Kierrä molemmat päät tukevasti kelan ympärille pään pyörimissuunnassa (merkinnällä LH osoitettuun suuntaan).
► **Kuva40:** 1. Kela

3. Jätä noin 100 mm (3 - 15/16”) siimoista kelaa-matta niin, että niiden päät ovat väliaikaisesti kiinni kelan reunassa olevissa loviissa.
► **Kuva41**

4. Kiinnitä kela koteloon siten, että kelan urat ja ulkonemat tulevat vasten kotelon uria ja ulkonemia. Pidä kela niin, että sen kirjainpuoli näkyy ylöspäin. Irrota siiman päät väliaikaisesta kiinnityksestään ja pujota siimat silmäkkeiden läpi niin, että ne tulevat ulos kotelosta.
► **Kuva42:** 1. Kela 2. Kotelon 3. Silmäke

5. Kohdista kannen alapuolen ulkonemat silmäkkeiden loviin. Työnnä kansi sitten tiukasti kiinni koteloon.
► **Kuva43**

Muoviterän vaihtaminen

Vaihda terä, jos se on kulunut tai rikkoutunut.
► **Kuva44**

- Asenna muoviterä kohdistamalla terässä oleva nuoli teräsuojuksessa olevan nuolen kanssa.
► **Kuva45:** 1. Teräsuojuksessa oleva nuoli 2. Terässä oleva nuoli

Tuotteen TURVALLISUUDEN ja LUOTETTAVUUDEN takaamiseksi korjaukset, muut huoltotyöt ja säädöt on teetettävä Makitan valtuutetussa huoltopisteessä Makitan varaosia käyttäen.

VIANMÄÄRITYS

Tarkista laite ensin itse, ennen kuin viet sen korjattavaksi. Jos ongelmaa ei löydy ratkaisua käyttöoppaasta, älä kuitenkaan yritä purkaa työkalua osiin. Vie ota sen sijaan yhteyttä Makita-huoltoliikkeeseen. Käytä korjaamiseen aina alkuperäisiä Makita-varaosia.

Epänormaali tila	Todennäköinen syy (toimintahäiriö)	Korjaus
Moottori ei käy.	Akkupakettia ei ole asennettu.	Kiinnitä akku paikalleen.
	Akkuongelma (alijännite)	Lataa akku. Jos lataaminen ei toimi tehokkaasti, vaihda akku.
	Vetojärjestelmä ei toimi oikein.	Pyydä valtuutettua huoltoliikettäsi korjaamaan laite.
Moottori pysähtyy lyhyen käytön jälkeen.	Akun varauksia on alhainen.	Lataa akku. Jos lataaminen ei toimi tehokkaasti, vaihda akku.
	Ylikuumentuminen.	Lopeta työkalun käyttö ja anna sen jäähtyä.
Se ei saavuta suurinta kierroslukua.	Akkua ei ole asennettu oikein.	Asenna akkupaketti tämän käyttöohjeen ohjeiden mukaan.
	Akun teho laskee.	Lataa akku. Jos lataaminen ei toimi tehokkaasti, vaihda akku.
	Vetojärjestelmä ei toimi oikein.	Pyydä valtuutettua huoltoliikettäsi korjaamaan laite.
Leikkuutyökalu ei pyöri: ⇒ pysäytä kone välittömästi!	Vieras esine, esimerkiksi oksa on juuttunut suojuksen ja nylon leikkuupään väliin.	Poista vieras esine.
	Vetojärjestelmä ei toimi oikein.	Pyydä valtuutettua huoltoliikettäsi korjaamaan laite.
Epänormaali ääni: ⇒ pysäytä kone välittömästi!	Nailonsiiman toinen pää on katkennut.	Kosketa nailonsiiman leikkuupäätä maata vasten, kun se pyörii ja syöttää siimaa.
	Vetojärjestelmä ei toimi oikein.	Pyydä valtuutettua huoltoliikettäsi korjaamaan laite.
Leikkuutyökalua ja moottoria ei voi pysäyttää: ⇒ Poista akku välittömästi!	Sähköinen tai elektroninen toimintahäiriö.	Poista akku ja pyydä valtuutettua huoltoliikettäsi korjaamaan laite.

LISÄVARUSTEET

VAROITUS: Älä asenna metalliterää tähän työkaluun ja käytä vain tässä ohjeessa suositeltuja lisävarusteita tai -laitteita. Metalliterän tai muiden lisävarusteiden tai -laitteiden käyttö voi aiheuttaa vakavia vammoja.

HUOMIO: Seuraavia lisävarusteita tai laitteita suositellaan käytettäväksi tässä ohjeessa kuvatun Makita-työkalun kanssa. Muiden lisävarusteiden tai laitteiden käyttö voi aiheuttaa henkilövahinkoja. Käytä lisävarusteita ja -laitteita vain niiden käyttötarkoituksen mukaisesti.

Jos tarvitset apua tai yksityiskohtaisempia tietoja seuraavista lisävarusteista, ota yhteys paikalliseen Makitan huoltoon.

- Nylon leikkuupää
- Nailonsiimapää (leikkuusiima)
- Muoviterä
- Aito Makitan akku ja laturi

HUOMAA: Jotkin luettelossa mainitut varusteet voivat sisältyä työkalun toimitukseen vakiovarusteina. Ne voivat vaihdella maittain.

SPECIFIKĀCIJAS

Modelis:		DUR187U	DUR187L	DUR188U	DUR188L
Roktura veids		Velosipēda tipa rokturis	Cilpas rokturis	Velosipēda tipa rokturis	Cilpas rokturis
Ātrums bez slodzes		4 000/5 000/6 000 min ⁻¹			
Kopējais garums (bez griešanas instrumenta)		1 791 mm			
Neilona auklas diametrs		2,0-2,4 mm			
Izmantojamais griešanas instruments un griešanas diametrs	Neilona griezējgalva (P/N 123932-5)	300 mm			
	Plastmasas asmens (P/N 123954-5)	255 mm			
Nominālais spriegums		Līdzstrāva 18 V			
Tīrsvars (izmantojot BL1830B)	ar neilona griezējgalvu	3,8 kg	3,6 kg	4,1 kg	3,9 kg
	ar plastmasas asmeni	3,9 kg	3,6 kg	4,1 kg	3,9 kg
Akumulatora kasetne		BL1815N, BL1820, BL1820B, BL1830, BL1830B, BL1840, BL1840B, BL1850, BL1850B, BL1860B			

- Nepārtrauktās izpētes un izstrādes programmas dēļ šeit uzrādītās specifikācijas var tikt mainītas bez brīdinājuma.
- Specifikācijas un akumulatora kasetne var atšķirties dažādās valstīs.
- Svārs ar akumulatora kasetni saskaņā ar EPTA-Procedure 01/2003

Trokšņa līmenis

Attiecīgais standarts : 2000/14/EC

Modelis	Veids	Vidējais skaņas spiediena līmenis	Vidējais skaņas jaudas līmenis	
		L _{PA} (dB(A))	L _{WA} (dB(A))	Nenoteiktība (K) (dB(A))
DUR187U	Neilona griezējgalva	74	84	6,0
	Plastmasas asmens	79	88	0,8
DUR187L	Neilona griezējgalva	74	84	6,0
	Plastmasas asmens	79	88	0,8
DUR188U	Neilona griezējgalva	74	84	6,0
	Plastmasas asmens	79	88	0,8
DUR188L	Neilona griezējgalva	74	84	6,0
	Plastmasas asmens	79	88	0,8

- Pat ja norādītais skaņas spiediena līmenis ir 80 dB (A) vai mazāks, lietojot darbarīku, līmenis var pārsniegt 80 dB (A). Lietojiet ausu aizsargus.

Vibrācija

Attiecīgais standarts : EN50636-2-91

Modelis	Veids	Kreisā roka		Labā roka	
		a _{h,w} (m/s ²)	Nenoteiktība K (m/s ²)	a _{h,w} (m/s ²)	Nenoteiktība K (m/s ²)
DUR187U	Neilona griezējgalva	≤ 2,5	1,5	≤ 2,5	1,5
	Plastmasas asmens	≤ 2,5	1,5	≤ 2,5	1,5
DUR187L	Neilona griezējgalva	≤ 2,5	1,5	≤ 2,5	1,5
	Plastmasas asmens	≤ 2,5	1,5	≤ 2,5	1,5

DUR188U	Neilona griezējgalva	≤ 2,5	1,5	≤ 2,5	1,5
	Plastmasas asmens	≤ 2,5	1,5	≤ 2,5	1,5
DUR188L	Neilona griezējgalva	≤ 2,5	1,5	≤ 2,5	1,5
	Plastmasas asmens	≤ 2,5	1,5	≤ 2,5	1,5

PIEZĪME: Paziņotā vibrācijas emisijas vērtība noteikta atbilstoši standarta pārbaudes metodei un to var izmantot, lai salīdzinātu vienu darbarīku ar citu.

PIEZĪME: Paziņoto vibrācijas emisijas vērtību arī var izmantot iedarbības sākotnējā novērtējumā.

▲BRĪDINĀJUMS: Reāli lietojot elektrisko darbarīku, vibrācijas emisija var atšķirties no paziņotās emisijas vērtības atkarībā no darbarīka izmantošanas veida.

▲BRĪDINĀJUMS: Lai aizsargātu lietotāju, nosakiet drošības pasākumus, kas pamatoti ar iedarbību reālos darba apstākļos (ņemot vērā visus ekspluatācijas cikla posmus, piemēram, laiku, kamēr darbarīks ir izslēgts un kad darbojas tukšgaitā, kā arī palaides laiku).

Simboli

Zemāk ir attēloti simboli, kas attiecas uz iekārtu. Pirms darbarīka izmantošanas pārliecinieties, vai pareizi izprotat to nozīmi.

	Esiet īpaši rūpīgs un uzmanīgs.
	Izlasiet lietošanas rokasgrāmatu.
	Bīstami! Sargieties no izviesiem priekšmetiem.
	Attāluam starp darbarīku un apkārtējiem jābūt vismaz 15 m.
	Neļaujiet nevienam atrasties darba vietas tuvumā.
	Ieturiet vismaz 15 m attālu.
	Izmantojiet ķiveri, aizsargbrilles un ausu aizsargus.
	Lietojiet aizsargcimdus.
	Valkājiet izturīgus apavus ar neslīdošām zolēm. Ieteicami apavi ar tērauda purngaliem.
	Nepakļaujiet mitru iedarbībai.
	Lielākais pieļaujamais darbarīka darbības ātrums.
	Nekādā gadījumā neizmantojiet metāla asmeni.
	Tikai ES valstīm Elektroierīces vai akumulatora bloku neizmetiet mājāsniecības atkritumos! Saskaņā ar Eiropas direktīvām par nolietotām elektriskām un elektroniskām iekārtām, kā arī par baterijām un akumulatoriem, nolietotām baterijām un akumulatoriem un šo direktīvu ieviešanu saskaņā ar valsts likumdošanu, elektriskās iekārtas, baterijas un akumulatori, to darbmūžam beidzoties, jāsavāc atsevišķi un jānogādā vidi saudzējošā otrreizējās pārstrādes uzņēmumā.

EK atbilstības deklarācija

Tikai Eiropas valstīm

EK atbilstības deklarācija šajā lietošanas rokasgrāmatā ir iekļauta kā A pielikums.

DROŠĪBAS BRĪDINĀJUMI

SVARĪGI DROŠĪBAS NOTEIKUMI

▲BRĪDINĀJUMS: Izlasiet visus drošības brīdinājumus un visus norādījumus. Brīdinājumu un norādījumu neievērošanas gadījumā var rasties elektriskās strāvas trieciens, ugunsgrēks un/vai nopietnas traumas.

Glabāiet visus brīdinājumus un norādījumus, lai varētu tajos ieskatīties turpmāk.

1. Iepazīstieties ar ierīces vadības ierīcēm un pareizu izmantošanu.
2. Griešanas elementi turpina griezties arī pēc motora izslēgšanas.
3. Neļaujiet mašīnu izmantot bērniem vai tiem, kas nepazīna mašīnas izmantošanas norādījumus.
4. Pārtrauciet mašīnas lietošanu, ja tuvumā ir cilvēki, it īpaši bērni, vai dzīvnieki.
5. Mašīnu izmantojiet tikai dienas gaismā vai labā mākslīgā apgaismojumā.
6. Pirms mašīnas izmantošanas vai pēc sadursmes pārbaudiet, vai nekas nav nodilis vai sabojāts, un, ja nepieciešams, saremontējiet mašīnu.
7. Uzmanieties, lai nesavainotos ar ierīci, kas paredzēta auklas garuma nogriešanai. Pēc jaunās griešanas auklas izbīdīšanas ierīci vispirmos novietojiet pareizā ekspluatācijas stāvoklī un tikai tad ieslēdziet.
8. Nekādā gadījumā neuzstādiet metāla griešanas elementus.
9. Šo ierīci nedrīkst izmantot personas (īpaši bērni) ar samazinātām fiziskām, uztveres vai psihiskām spējām, kā arī nepieredzējušas personas un personas, kas nepazīna ierīci, ja vien uzraudzību nenodrošina vai norādījumus par ierīces izmantošanu nesniedz

persona, kas atbildīga par iepriekš minēto personu drošību. Bērni ir jāuzrauga, lai tie nerotātos ar ierīci.

10. Darbarīku izmantojiet ar vislielāko rūpību un uzmanību.
11. Darbarīku lietojiet tikai tad, ja esat labā fiziskā stāvoklī. Visus darbus veiciet mierīgi un uzmanīgi. Sekojiet savai darbībai un ņemiet vērā, ka operators vai lietotājs ir atbildīgs par negadījumiem vai apdraudējumu, kas radīts citiem cilvēkiem vai to īpašumam.
12. Nelietojiet darbarīku, ja esat noguris, jūtaties nevesels vai atrodaties alkohola vai medikamentu ietekmē.
13. Ja pamanāt neparastas darbības pazīmes, darbarīks nekavējoties jāizslēdz.

Darbarīka paredzētā izmantošana

1. Izmantojiet pareizo darbarīku. Bezvada zāles apgriezējmašīna paredzēta tikai zāles un nelielu nezāļu griešanai. To nedrīkst izmantot citiem nolūkiem, piemēram, dzīvzogu apgriešanai, jo tas var radīt traumas.

Individuālās aizsardzības līdzekļi

► Att.1

► Att.2

1. Atbilstoši ģērbieties. Apģērbam jābūt funkcionālam un piemērotam, proti, tam jābūt cieši piegulošam, taču tas nedrīkst ierobežot kustības. Nenēsājiet rotaslietas vai apģērbu, kas var iekerties garā zālē. Lietojiet matu aizsargpārsegu, lai saturētu garus matus.
2. Izmantojot darbarīku, vienmēr valkājiet izturīgas apavus ar neslīdošām zolēm. Tie aizsargā pret traumām un nodrošina stabilu pamatu.
3. Lietojiet aizsargbrilles vai brilles.

Elektrodrošība un akumulatora drošība

1. Izvairieties no bīstamas vides. Darbarīku neizmantojiet mitrās vai slapjās vietās un lietū. Ja darbarīkā iekļūš ūdens, palielināsies elektrotraumas rašanās draudi.
2. Uzlādei izmantojiet tikai ražotāja norādītos lādētājus. Vienam akumulatoru tipam paredzēta lādētāja izmantošana cita tipa akumulatoru uzlādei var radīt ugunsgrēka bīstamību.
3. Izmantojiet mehānizētos darbarīkus tikai ar paredzētajiem akumulatoriem. Jebkura cita tipa akumulatoru izmantošana var radīt traumu un aizdegšanās bīstamību.
4. Kamēr akumulators netiek izmantots, neturiet to blakus metāla priekšmetiem, piemēram, saspaudēm, monētām, atslēgām, naglām, skrūvēm un citiem nelieliem metāla priekšmetiem, kas var savienot spaiļes. Akumulatora spaiļu īssavienojums var izraisīt apdegumus vai aizdegšanos.
5. Nepareizas lietošanas gadījumā no akumulatora var izteciēt šķidrums; nepieskarieties tam. Ja nejausi pieskārties šķidrumam, noskalojiet skarto vietu ar ūdeni. Ja šķidrums iekļūvis acīs, nepieciešama medicīniska palīdzība. No akumulatora izteciējušais šķidrums var izraisīt kairinājumus vai apdegumus.
6. Nemetiet akumulatoru ugunī. Elements var sprāgt. Skatiet attiecīgos valsts noteikumus, lai uzzinātu īpašus norādījumus izmešanai atkritumos.
7. Akumulatorus nedrīkst atvērt vai sabojāt. Izteciējušais elektrolīts ir kodsīgs un var nodarīt kaitējumu acīm vai ādai. Norijot tas var būt toksisks.

Darbarīka ieslēgšana

► Att.3

1. Pārbaudiet, vai darba diapazonā — 15 metru (50 pēdu) attālumā — nav bērnu vai citu cilvēku, kā arī pievērsiet uzmanību mājdzīvniekiem, kas var atrasties darba vietas tuvumā. Ja kaut kas atrodas darba diapazonā, pārtrauciet darbarīka lietošanu.
2. Pirms lietošanas vienmēr pārbaudiet, vai darbarīks ir drošs. Pārbaudiet griešanas instrumenta un aizsarga drošību; pārbaudiet, vai slēdža mēlīte/svira darbojas viegli un pareizi. Pārbaudiet, vai rokturi ir tīri un sausi; pārbaudiet slēdža ieslēgšanas/izslēgšanas darbību.
3. Pirms darbarīka turpmākas izmantošanas pārbaudiet, vai tam nav bojātu daļu. Bojāts aizsargs vai cita daļa rūpīgi jāpārbauda, lai noteiktu, vai tā darbosies pareizi un pildīs paredzēto funkciju. Pārbaudiet, vai kustīgās daļas ir pareizi salāgotas, vai tās var brīvi kustēties, vai daļas nav salūzušas; pārbaudiet to stiprinājumus un citus apstākļus, kas var ietekmēt darbarīka darbību. Bojāts aizsargs vai citas daļas pienācīgi jāasāremontē vai jānomaina pilnvarotā apkopes centrā, ja vien šajā lietošanas rokasgrāmatā nav norādīts citādi.
4. Motoru ieslēdziet tikai tad, ja rokas un kājas neatrodas griešanas instrumenta tuvumā.
5. Pirms iedarbināšanas pārbaudiet, vai griešanas instruments nesaskaras ar cietiem objektiem, piemēram, zariem, akmeņiem u.c., jo darbarīks pēc iedarbināšanas sāks griezties.

Lietošanas veids

1. Nekādā gadījumā nelietojiet ierīci ar bojātu aizsargu vai bez tā.
2. Darbarīku izmantojiet tikai labā apgaismojumā un redzamībā. Ziemā sargieties no slidenām vai slapjām vietām, no ledus un sniega (paslīdēšanas bīstamība). Vienmēr stāviet uz droša pamata.
3. Uzmanieties, lai griešanas instruments nesāvainotu kājas un rokas.
4. Rokas un kājas nekad neturiet griešanas instrumenta tuvumā, jo īpaši brīdī, kad iedarbināt motoru.
5. Nekad negrieziet augstāk par vidukļa augstumu.
6. Nekad nestāviet uz kāpnēm ar ieslēgtu darbarīku.
7. Nekad neestrādājiet uz nestabilām virsmām.
8. Nesniedzieties pārāk tālu. Vienmēr stingri stāviet uz droša pamata, saglabājot līdzsvaru.
9. Darba vietā novāciet smiltis, akmeņus, naglas utt. Svešķermeņi var sabojāt griešanas instrumentu; tie var tikt izsviesti, radot smagu traumu.
10. Ja griešanas instruments trāpa akmeņiem vai citiem cietiem priekšmetiem, nekavējoties izslēdziet motoru un pārbaudiet griešanas instrumentu.
11. Pirms griešanas šim griešanas instrumentam ir jāsasniedz pilns darbības ātrums.
12. Strādājot vienmēr turiet darbarīku ar abām rokām. Strādājot nekādā gadījumā neturiet darbarīku ar vienu roku. Vienmēr stāviet uz droša pamata.
13. Eksploatācijas laikā jāizmanto visi aizsarglīdzekļi, piemēram, aizsargi no darbarīka komplekta.
14. Izņemot ārkārtas gadījumus, nekad nenometiet un nesvediet darbarīku, jo tā varat to nopietni sabojāt.
15. Nekādā gadījumā darbarīku nevelciet pa zemi, to pārvietojot. Šādi darbarīku var sabojāt.

16. No darbarīka vienmēr izņemiet akumulatora kasetni:
 - atstājot darbarīku bez uzraudzības;
 - pirms aizsērējuma iztīrīšanas;
 - pirms darbarīka pārbaudes, tīrīšanas vai remonta;
 - pirms darbarīka regulēšanas, piederumu maiņas vai novietošanas uzglabāšanai;
 - ja darbarīks sāk neparasti vibrēt;
 - darbarīku transportējot.
17. Nespiediet darbarīku ar spēku. Darbs veiksies labāk un ar mazāku traumu bīstamību, ja ierīci izmantosit paredzētajā ātrumā.
18. Mehānizētos darbarīkus nelietojiet sprādzienbīstamā vidē, piemēram, uzliesmojošo šķidrums, gāzu vai putekļu tuvumā. Mehānizētie darbarīki rada dzirksteles, kas var aizdedzināt putekļus vai izgarojumus.
19. Regulāri atpūties, lai novērstu noguruma izraisītu kontroles zudumu. Atpūsties ieteicams 10–20 minūtes ik pēc vienas darba stundas.

Apkopes norādījumi

1. Pirms darba sākšanas pārbaudiet griešanas instrumenta stāvokli, aizsargierīces un pleca siksnu.
2. Pirms veikt apkopi, mainīt griešanas instrumentu vai tīrīt to, izslēdziet motoru un izņemiet akumulatora kasetni.
3. Pēc lietošanas no darbarīka vienmēr izņemiet akumulatora kasetni un pārbaudiet, vai nav bojājumu.
4. Pārbaudiet, vai fiksatori nav vaļīgi un vai griešanas instrumentam nav bojātu (piemēram, daļēji vai līdz pusei nogrieztu) daļu.
5. Kad darbarīku neizmanto, tas jāglabā sausā vietā, kas ir aizslēgta un nav sasniedzama bērniem.
6. Izmantojiet tikai ražotāja ieteiktās rezerves daļas un piederumus.
7. Ventilācijas atverēm vienmēr jābūt tīrām.
8. Regulāri pārbaudiet un apkopiet darbarīku, it īpaši pirms un pēc lietošanas. Darbarīku drīkst remontēt tikai pilnvarotā apkopes centrā.
9. Uzturiet rokturus sausus un tīrus; gādājiet, lai uz tiem nebūtu eļļas un smērvielu.

SAGLABĀJIET ŠOS NORĀDĪJUMUS.

▲BRĪDINĀJUMS: NEPIEĻAUJIET to, ka labu iemaņu vai izstrādājuma labas pārzināšanas (darbarīku atkārtoti ekspluatējot) rezultātā vairs stingri neievērojat šī izstrādājuma drošības noteikumus. **NEPAREIZI LIETOJOT** darbarīku vai neievērojot šajā instrukciju rokasgrāmatā minētos drošības noteikumus, var tikt gūtas smagas traumas.

Svarīgi drošības norādījumi par akumulatora kasetni

1. Pirms akumulatora lietošanas izlasiet visus norādījumus un brīdinājumus, kuri attiecas uz (1) akumulatora lādētāju, (2) akumulatoru un (3) ierīci, kurā tiek izmantots akumulators.
2. Neizjauciet akumulatoru.

3. Ja akumulatora darbības laiks kļūva ievērojami īsāks, nekavējoties pārtrauciet to izmantot. Citādi, tas var izraisīt pārkaršējumu, uzliesmojumu vai pat sprādzienu.
4. Ja elektrolīts nonāk acīs, izskalojiet tās ar tīru ūdens un nekavējoties griezieties pie ārsta. Tas var izraisīt redzes zaudēšanu.
5. Neradiet issavienojumu akumulatora kasetnē:
 - (1) Nepieskarieties spailēm ar elektrību vadošiem materiāliem.
 - (2) Neuzglabājiet akumulatoru kasetni kopā ar citiem metāla priekšmetiem, tādiem kā naglas, monētas u. c.
 - (3) Nepakļaujiet akumulatora kasetni ūdens vai lietus iedarbībai.

Akumulatora īssavienojums var radīt spēcīgu strāvas plūsmu, pārkaršanu, uzliesmojumu un pat sabojāt akumulatoru.

6. Neglabājiet darbarīku un akumulatora kasetni vietās, kur temperatūra var sasniegt vai pārsniegt 50 °C (122 °F).
7. Nededziniet akumulatora kasetni, pat ja tā ir stipri bojāta vai pilnībā nolietota. Akumulatora kasetne ugunī var eksplodēt.
8. Uzmanieties, lai neļautu akumulatoram nokrist un nepakļautu to sītenam.
9. Neizmantojiet bojātu akumulatoru.
10. Uz izmantotajiem litija jonu akumulatoriem attiecas likumdošanas prasības par bīstamiem izstrādājumiem.

Komerציālā transportēšanā, ko veic, piemēram, trešās puses, transporta uzņēmumi, jāievēro uz iesaiņojuma un marķējuma norādītās īpašas prasības. Lai izstrādājumu sagatavotu nosūtīšanai, jāsaazinās ar bīstamo materiālu speciālistu. Ievērojiet arī citus attiecināmos valsts normatīvus. Valējus kontaktus nosedziet ar līmlenti vai citādi pārklājiet, bet akumulatoru iesaiņojiet tā, lai sainī tas nevarētu izkustēties.
11. Ievērojiet vietējos noteikumus par akumulatora likvidēšanu.

SAGLABĀJIET ŠOS NORĀDĪJUMUS.

▲UZMANĪBU: Lietojiet tikai oriģinālos Makita akumulatorus. Ja lietojat neoriģinālus Makita akumulatorus vai pārveidotus akumulatorus, tie var uzsprāgt un izraisīt aizdegšanos, traumas un materiālos zaudējumus. Tīks anulēta arī Makita darbarīka un lādētāja garantija.

Ieteikumi akumulatora kalpošanas laika pagarināšanai

1. Uzlādējiet akumulatora kasetni, pirms tā ir pilnībā izlādējusies. Vienmēr, kad ievērojat, ka darbarīka darba jauda zudusi, apturiet darbarīku un uzlādējiet akumulatora kasetni.
2. Nekad neuzlādējiet pilnībā uzlādētu akumulatora kasetni. Pārmērīga uzlāde saīsina akumulatora kalpošanas laiku.
3. Uzlādējiet akumulatora kasetni istabas temperatūrā 10 °C - 40 °C. Karstai akumulatora kasetnei pirms uzlādes ļaujiet atdzist.
4. Uzlādējiet litija jonu akumulatora kasetni, ja to ilgstoši nelietosit (vairāk nekā sešus mēnešus).

DETAĻU APRAKSTS

► Att.4

1	Akumulatora kasetne	2	Atbloķēšanas svira	3	Slēdža mēlīte	4	Cilpa
5	Rokturis	6	Aizsargs (griešanas instrumenta aizsargs)	7	Stieples aizsargs	8	Bloķēšanas svira (tikai modeļiem DUR188U un DUR188L)
9	Savienojuma pārsegs (tikai modeļiem DUR188U un DUR188L)	10	Vāciņš (tikai modeļiem DUR188U un DUR188L)	11	Ātruma indikators	12	Automātiskās ātruma kontroles indikators
13	Ieslēgšanas indikators	14	Gaivenā ieslēgšanas poga	15	Virzienmaiņas poga	16	Plecu sikсна

* Aizsarga forma dažādām valstīm atšķiras.

FUNKCIJU APRAKSTS

▲BRĪDINĀJUMS: Pirms darbarīka regulēšanas vai tā darbības pārbaudes vienmēr pārliecinieties, ka darbarīks ir izslēgts un akumulatora kasetne ir izņemta. Ja darbarīku neizslēdz un neizņem akumulatora kasetni, tad nejausās ieslēgšanas gadījumā kādu var smagi traumēt.

Akumulatora kasetnes uzstādīšana un izņemšana

▲UZMANĪBU: Vienmēr pirms akumulatora kasetnes uzstādīšanas vai noņemšanas izslēdziet darbarīku.

▲UZMANĪBU: Uzstādot vai izņemot akumulatora kasetni, darbarīku un akumulatora kasetni turiet cieši. Ja darbarīku un akumulatora kasetni netur cieši, tie var izkrist no rokām un radīt bojājumus darbarīkam un akumulatora kasetnei, kā arī izraisīt ievainojumus.

► **Att.5:** 1. Sarkanās krāsas indikators 2. Poga 3. Akumulatora kasetne

Lai izņemtu akumulatora kasetni, izvelciet to no darbarīka, pārbrīdot kasetnes priekšpusē esošo pogu.

Lai uzstādītu akumulatora kasetni, salāgojiet mēlīti uz akumulatora kasetnes ar rievu ietvarā un iebīdīet to vietā. Ievietojiet to līdz galam, līdz tā ar klikšķi nofiksējas. Ja pogas augšējā daļā redzams sarkanās krāsas indikators, tas nozīmē, ka tā nav pilnīgi fiksēta.

▲UZMANĪBU: Vienmēr ievietojiet akumulatora kasetni tā, lai sarkanais indikators nebūtu redzams. Pretējā gadījumā tā var nejausi izkrist no darbarīka un izraisīt jums vai apkārtējiem traumas.

▲UZMANĪBU: Neievietojiet akumulatora kasetni ar spēku. Ja kasetne neslīd ietvarā viegli, tā nav pareizi ielikta.

Darbarīka/akumulatora aizsardzības sistēma

Darbarīkam ir darbarīka/akumulatora aizsardzības sistēma. Šī sistēma automātiski izslēdz strāvas padevi motoram, lai pagarinātu darbarīka un akumulatora darbību. Lietošanas laikā darbarīks automātiski pārstās darboties, ja darbarīku vai akumulatoru pakļaus kādam no šādiem apstākļiem.

Statuss	Indikatora lampas		
	<input type="checkbox"/> Ieslēgts	<input type="checkbox"/> Izslēgts	<input type="checkbox"/> Mirgo
Pārslodze			
Pārkaršana			
Pārmērīga izlāde			

Aizsardzība pret pārslodzi

Ja darbarīks ir pārslogots, jo tajā iekļūrušās nezāles vai citi netīrumi, un sāk mirgot un vidējais indikators, un darbarīks automātiski pārstāj darboties.


Šādā gadījumā darbarīku izslēdziet un pārtrauciet darbību, kas izraisīja darbarīka pārslodzi. Tad ieslēdziet darbarīku, lai atsāktu darbu.

Aizsardzība pret darbarīka vai akumulatora pārkaršanu

Ir divi pārkaršanas veidi: darbarīka pārkaršana un akumulatora pārkaršana. Kad darbarīks pārkarst, visi ātruma indikatori mirgo. Kad akumulators pārkarst, indikators mirgo.

Ja pārkarst darbarīks, tas automātiski pārstāj darboties. Pirms atkārtotas ieslēgšanas ļaujiet darbarīkam un/vai akumulatoram atdzist.

Aizsardzība pret akumulatora pārmērīgu izlādi








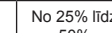

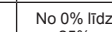

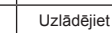




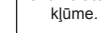

Kad akumulatora uzlādes līmenis ir zems, darbarīks automātiski pārstāj darboties un sāk mirgot  indikatorus. Ja darbarīks nedarbojas pat pēc slēdžu ieslēgšanas, akumulatorus izņemiet no darbarīka un uzlādējiet.

Atlikušās akumulatora jaudas indikators

Tikai akumulatora kasetnēm ar indikatoru

► **Att.6:** 1. Indikatora lampas 2. Pārbaudes poga

Nospiediet akumulatora kasetnes pārbaudes pogu, lai pārbaudītu akumulatora atlikušo uzlādes līmeni. Indikatoru iedegsies uz dažām sekundēm.

Indikatora lampas			Atlikušā jauda
 ledziedis	 izslēgts	 Mirgo	
			No 75% līdz 100%
			No 50% līdz 75%
			No 25% līdz 50%
			No 0% līdz 25%
			Uzlādējiet akumulatoru.
			Iespējama akumulatora kļūme.
			

PIEZĪME: Reālā jauda var nedaudz atšķirties no norādītās atkarībā no lietošanas apstākļiem un apkārtējās temperatūras.

Ieslēgšanas slēdža darbība

▲BRĪDINĀJUMS: Pirms akumulatora kasetnes ievietošanas darbarīkā, vienmēr pārbaudiet, vai slēdža mēlīte darbojas pareizi un pēc atlaišanas atgriežas „OFF” (izslēgts) stāvoklī. Lietojot darbarīku, kura slēdzis nedarbojas pareizi, var zaudēt kontroli un radīt nopietnas traumas.

▲UZMANĪBU: Kad darbarīku pārnēsājat, nekad nenovietojiet pirkstu uz slēdža. Darbarīks var sākt nejauši darboties un izraisīt traumas.

Dažas sekundes turiet nospiestu galveno ieslēgšanas pogu, lai ieslēgtu darbarīku.

Lai darbarīku izslēgtu, vēlreiz turiet nospiestu galveno ieslēgšanas pogu.

► **Att.7:** 1. Galvenā ieslēgšanas poga

Lai nepieļautu slēdža mēlītes nejaušu nospiešanu, darbarīks ir aprīkots ar atbloķēšanas sviru.

Lai ieslēgtu darbarīku, satveriet rokturi (satvēriens atbrīvo bloķēšanas sviru) un pēc tam nospiediet slēdža mēlīti. Lai apturētu darbarīku, atlaidiet slēdža mēlīti.

DUR187U un DUR188U

► **Att.8:** 1. Atbloķēšanas svira 2. Slēdža mēlīte

DUR187L un DUR188L

► **Att.9:** 1. Atbloķēšanas svira 2. Slēdža mēlīte





PIEZĪME: Darbarīks automātiski izslēdzas, ja to nedarbina vienu minūti.

Ātruma regulēšana

Darbarīka ātrumu var regulēt, pieskaroties galvenajai ieslēgšanas pogai.

Katru reizi, pieskaroties galvenajai ieslēgšanas pogai, ātruma līmenis mainīsies.

► **Att.10:** 1. Galvenā ieslēgšanas poga

Indikators	Režīms	Griešanās ātrums
	Automātiskais	4 000 - 6 000 min ⁻¹
	Liels ātrums	6 000 min ⁻¹
	Vidējs	5 000 min ⁻¹
	Mazs	4 000 min ⁻¹

Virziena maiņas poga netīrumu izņemšanai

▲BRĪDINĀJUMS: Pirms tādu nezaļu vai netīrumu izņemšanas, ko nevar izņemt ar darbarīka iedarbināšanu pretējā virzienā, vienmēr izslēdziet darbarīku un izņemiet akumulatora kasetni. Ja darbarīku neizslēdz un neizņem akumulatora kasetni, tad nejaušas ieslēgšanas gadījumā kādu var smagi traumēt.

Šis darbarīks ir aprīkots ar virziena maiņas pogu, kas ļauj mainīt griešanās virzienu. Tā paredzēta tikai darbarīkā iekļerušos nezaļu vai netīrumu izņemšanai.

Lai mainītu griešanās virzienu, pēc darbarīka galvas apturēšanas pieskarieties virziena maiņas pogai un nospiediet mēlīti. Pēc slēdža mēlītes nospiešanas sāk mirgot ieslēgšanas indikators un darbarīka galva griežas pretējā virzienā.

Lai ieslēgtu parasto griešanās virzienu, atlaidiet slēdža mēlīti un uzgaidiet, līdz darbarīka galva pārstāj griezties.

► **Att.11:** 1. Virziena maiņas poga

PIEZĪME: Pretējā virzienā darbarīks darbojas tikai īslaicīgi un pēc tam automātiski pārstāj griezties.

PIEZĪME: Darbarīks pēc apstāšanās atkal griezties parastajā griešanās virzienā, tiklīdz to no jauna ieslēgs.

PIEZĪME: Ja virzienu maiņas pogai pieskaras, kamēr darbarīka galva joprojām griežas, darbarīks pārstāj darboties un ir gatavs griezties pretējā virzienā.

Neilona griezējgalva

Papildu piederumi

IEVĒRĪBAI: Izbīdīšana ar piesitienu nedarbosies pareizi, ja galva negriežas.

► **Att.12:** 1. Efektīvākā griešanas zona

Neilona griezējgalva ir dubultas auklas zāles apgriezējmašīnas galva ar piesitienu izbīdīšanas mehānismu. Lai izbīdītu neilona auklu, griezējgalvu piesietiet pie zemes, galvai griežoties.

PIEZĪME: Ja pēc piesitienu neilona aukla nepagariņās, atiniet/nomainiet neilona auklu, izpildot sadaļā "Apkope" norādītās darbības.

MONTĀŽA

▲BRĪDINĀJUMS: Pirms darbarīka regulēšanas vienmēr pārbaudiet, vai tas ir izslēgts un akumulatora kasetne izņemta. Ja darbarīku neizslēdz un neizņem akumulatora kasetni, tad nejaušas ieslēgšanas gadījumā kādu var smagi traumēt.

▲BRĪDINĀJUMS: Neieslēdziet darbarīku, ja tas nav pilnībā salikts. Nejauši ieslēdzot daļēji saliktu darbarīku, var gūt smagas traumas.

Roktura uzstādīšana

Tikai modeļiem DUR187U un DUR188U

1. Roktura vārpstu ievietojiet rokturī. Skrūves atveri rokturī savietojiet ar skrūves atveri vārpstā. Stingri pieskrūvējiet skrūvi.

► **Att.13:** 1. Rokturis 2. Skrūve 3. Rokturis

2. Rokturi novietojiet starp roktura skavu un roktura balstu. Noregulējiet rokturi darbam ērtā leņķī un pēc tam to cieši piestipriniet ar sešstūru galviņas padziļinājuma bultskrūvēm.

► **Att.14:** 1. Sešstūru galviņas padziļinājuma bultskrūve 2. Roktura skava

Papildu caurules piestiprināšana

Tikai modeļiem DUR188U un DUR188L

Papildu cauruli piestipriniet pie piedziņas bloka.

1. Svīru pagrieziet attēlā norādītās bultiņas virzienā.
► **Att.15:** 1. Svīra

2. Pavelciet augšup savienojuma pārsegu un ievietojiet papildu cauruli, izvirzījumus uz caurules (griezējinstrumenta pusē) savietojot ar savienojuma detaļas ieliektu daļu.

► **Att.16:** 1. Bloķēšanas svīra 2. Savienojuma pārsegs 3. Caurule

Pārbaudiet, vai bloķēšanas svīras virsma pret cauruli atrodas paralēli.

3. Svīru pagrieziet attēlā norādītās bultiņas virzienā.
► **Att.17:** 1. Svīra

Lai noņemtu cauruli, svīru pagrieziet attēlā norādītās bultiņas virzienā un izvelciet cauruli, nospiežot bloķēšanas svīru.

► **Att.18:** 1. Svīra 2. Bloķēšanas svīra 3. Caurule

Aizsarga uzstādīšana

▲BRĪDINĀJUMS: Neizmantojiet darbarīku, ja nav uzstādīts attēlā redzamais aizsargs. Darbojoties bez aizsarga, iespējams nopietni traumēties.

▲UZMANĪBU: Sargieties, lai nesavainotos ar griezēju, kas paredzēts neilona auklas nogriešanai.

PIEZĪME: Aizsarga forma dažādām valstīm atšķiras.

1. Aizsarga turētāja izvīrzījumus salāgojiet ar atbilstošajām motora korpusa daļām.

► **Att.19:** 1. Aizsargs 2. Rieva 3. Izvīrzījums

2. Aizsarga turētāja izvīrzījumus salāgojiet ar motora korpusa iedaļām.

► **Att.20:** 1. Aizsarga turētājs 2. Izvīrzījums

3. Lai nostiprinātu aizsargu un aizsarga turētāju, stingri pievelciet sešstūru galviņas padziļinājuma bultskrūves.

► **Att.21:** 1. Sešstūru galviņas padziļinājuma bultskrūve 2. Sešstūru uzgriežņatslēga

Stieples aizsarga uzstādīšana

▲UZMANĪBU: Pirms stieples aizsarga regulēšanas nogaidiet, līdz griezējgalva pilnībā apstājas. Stieples aizsargu nedrīkst regulēt ar kāju.

► **Att.22**

Lai nesabojātu priekšmetus, kas atrodas griezējgalvas ceļā, stieples aizsargu piestipriniet tā, lai ierobežotu kustīgās stieples griešanas diapazonu.

Nedaudz izvērsiet stieples aizsargu un ievietojiet to aizsarga atverēs.

► **Att.23:** 1. Stieples aizsargs

PIEZĪME: Stieples aizsargu neizvērsiet par daudz. Ja to izvērš par daudz, tas var salūzt.

Ja stieples aizsargu nelietojat, paceliet to brīvķaitas stāvoklī.

► **Att.24**

Neilona griezējgalvas uzstādīšana

Papildu piederumi

⚠UZMANĪBU: Ja ekspluatācijas laikā neilona griezējgalva nejausi atsitas pret akmeni vai cietu priekšmetu, apturiet darbarīku un pārbaudiet, vai tam nav bojājumu. Ja neilona griezējgalva ir bojāta, tā nekavējoties jānomaina. Bojāta griešanas instrumenta izmantošana var radīt smagas traumas.

⚠UZMANĪBU: Pēc uzstādīšanas neaizmirstiet izņemt sešstūru uzgriežņu atslēgu.

IEVĒRĪBAI: Izmantojiet oriģinālu Makita neilona griezējgalvu.

► **Att.25:** 1. Neilona griezējgalva 2. Metāla aizsargs 3. Vārpsta 4. Seššķautņu uzgriežņu atslēga

1. Lai viegli nomainītu griešanas instrumentu, darbarīku apvēršiet otrādi.
2. Sešstūru uzgriežņatslēgu ievietojiet atverē motora korpusā un grieziet vārpstu, līdz vārpsta ir nofiksēta.
3. Neilona griezējgalvu uzlieciet tieši uz vītņotās vārpstas un pievelciet, griežot pretēji pulksteņrādītāju kustības virzienam.
4. Izņemiet sešstūru uzgriežņu atslēgu.

Lai noņemtu neilona griezējgalvu, grieziet to pulksteņrādītāju kustības virzienā, vienlaikus ar sešstūru uzgriežņatslēgu turot uztverošo starpliku.

Plastmasas asmens uzstādīšana

Papildu piederumi

⚠UZMANĪBU: Ja ekspluatācijas laikā plastmasas asmens nejausi atsitas pret akmeni vai cietu priekšmetu, izslēdziet darbarīku un pārbaudiet, vai tas nav bojāts. Ja plastmasas asmens ir bojāts, tas nekavējoties jānomaina. Izmantojot bojātu griešanas instrumentu, iespējams traumēt cilvēkus.

⚠UZMANĪBU: Pēc uzstādīšanas neaizmirstiet izņemt sešstūru uzgriežņu atslēgu.

IEVĒRĪBAI: Izmantojiet oriģinālo Makita plastmasas asmeni.

► **Att.26:** 1. Plastmasas asmens 2. Metāla aizsargs 3. Sešstūru uzgriežņatslēga

1. Lai viegli nomainītu griešanas instrumentu, darbarīku apvēršiet otrādi.
2. Sešstūru uzgriežņatslēgu ievietojiet atverē motora korpusā un grieziet vārpstu, līdz vārpsta ir nofiksēta.
3. Plastmasas asmeni uzlieciet tieši uz vītņotās vārpstas un pieskrūvējiet, pievelkot pretēji pulksteņrādītāju kustības virzienam.
4. Izņemiet sešstūru uzgriežņatslēgu.

Lai noņemtu plastmasas asmeni, grieziet to pulksteņrādītāju kustības virzienā, vienlaikus ar sešstūru uzgriežņu atslēgu turot uztverošo starpliku.

Roktura/cilpas pozīcijas regulēšana

Rokturi un cilpu noregulējiet tādā stāvoklī, lai darbarīka lietošana būtu ērta.

Tikai modeļiem DUR187U un DUR188U

Atskrūvējiet vajīgāk sešstūru galviņas padziļinājuma bultskrūves roktura balsta apakšpusē. Rokturi novietojiet ērtā darba stāvoklī un pievelciet skrūves.

► **Att.27:** 1. Roktura balsts 2. Sešstūru galviņas padziļinājuma bultskrūve 3. Rokturis

Atskrūvējiet vajīgāk cilpas sešstūru galviņas padziļinājuma bultskrūves. Cilpu novietojiet ērtā darba stāvoklī un pēc tam pievelciet skrūves.

► **Att.28:** 1. Sešstūru galviņas padziļinājuma bultskrūve 2. Cilpa

Tikai modeļiem DUR187L un DUR188L

Atskrūvējiet vajīgāk sešstūru galviņas padziļinājuma bultskrūves uz roktura. Rokturi novietojiet ērtā darba stāvoklī un pievelciet skrūves.

► **Att.29:** 1. Sešstūru galviņas padziļinājuma bultskrūve 2. Rokturis

Atskrūvējiet vajīgāk sešstūru galviņas padziļinājuma bultskrūvi uz cilpas. Cilpu novietojiet ērtā darba stāvoklī un pēc tam pievelciet skrūvi.

► **Att.30:** 1. Sešstūru galviņas padziļinājuma bultskrūve 2. Cilpa

Sešstūru uzgriežņu atslēgas uzglabāšana

⚠UZMANĪBU: Nekad neatstājiet sešstūru uzgriežņatslēgu ievietotu darbarīka galvā. Tas var radīt traumas un/vai sabojāt darbarīku.

Kad sešstūru uzgriežņatslēgu nelietojat, glabājiet to, kā parādīts, lai atslēgu nepazaudētu.

► **Att.31:** 1. Sešstūru uzgriežņu atslēga

Tikai modeļiem DUR187L un DUR188L

► **Att.32:** 1. Rokturis 2. Sešstūru uzgriežņatslēga

EKSPLUATĀCIJA

Darbarīka pareiza izmantošana

⚠BRĪDINĀJUMS: Darbarīku vienmēr novietojiet labajā pusē. Darbarīka pareizs novietojums nodrošina maksimālu vadību un samazina atsitiena radītu smagu traumu bīstamību.

⚠BRĪDINĀJUMS: Vienmēr īpaši sekojiet, lai nodrošinātu darbarīka vadību. Neļaujiet darbarīkam atlēkt savā vai citu cilvēku virzienā darba vietas tuvumā. Ja zaudē kontroli pār darbarīku, smagas traumas var gūt gan operators, gan cilvēki tuvumā.

⚠BRĪDINĀJUMS: Lai izvairītos no negadījumiem, ieturiet vairāk nekā 15 m (50 pēdu) attālumus starp operatoriem, kad vienā teritorijā strādā divi vai vairāk operatori. Norīkojiet arī atbildīgo personu par attālumu ieturēšanu starp operatoriem. Ja teritorijā iekļūst cilvēks vai dzīvnieks, nekavējoties pārtrauciet darbu.

DUR187U un DUR188U

► Att.33

DUR187L un DUR188L

► Att.34

Plecu siksnas piestiprināšana

⚠UZMANĪBU: Vienmēr izmantojiet piestiprināto plecu siksnu. Pirms darbarīka lietošanas plecu siksnā jāpiemēro lietotāja augumam, lai mazinātu nogurumu.

Plecu siksnas āķi pievienojiet pie cilpas un uzlieciet plecu siksnu. Pārļiecinieties, ka darbarīks plecu siksnā turas droši.

DUR187U un DUR188U

► Att.35: 1. Āķis 2. Cilpa

DUR187L un DUR188L

► Att.36: 1. Āķis 2. Cilpa

Atvienošana

Plecu siksnu var ātri atbrīvot.

DUR187U un DUR188U

► Att.37: 1. Strēmele

Izvelciet strēmeli, atbrīvojiet darbarīku no plecu siksnas.

DUR187L un DUR188L

► Att.38: 1. Sprādze

Vienkārši saspiediet sprāzdes sānu daļas, lai darbarīku atbrīvotu no plecu siksnas.

APKOPE

⚠BRĪDINĀJUMS: Pirms darbarīka pārbaudes vai apkopes vienmēr pārbaudiet, vai tas ir izslēgts un akumulatora kasetne izņemta. Ja darbarīku neizslēdz un neizņem akumulatora kasetni, tad nejaušas ieslēgšanas gadījumā kādu var smagi traumēt.

IEVĒRĪBAI: Nekad neizmantojiet gāzoliņu, benzīnu, atšķaidītāju, spirtu vai līdzīgus šķidrumus. Tas var radīt izbalēšanu, deformāciju vai plaisas.

Neilona auklas maiņa

⚠BRĪDINĀJUMS: Izmantojiet tikai sadaļā "TEHNISKIE DATI" norādītā diametra neilona auklu. Nekādā gadījumā nelietojiet smagāku auklu, metāla stiepli, parastu auklu vai tamlīdzīgu piederumu. Izmantojiet tikai ieteikto neilona auklu, citādi var rasties darbarīka bojājumi un smagas traumas.

⚠BRĪDINĀJUMS: Pārbaudiet, vai neilona griezējgalvas vāks korpusam piestiprināts atbilstīgi aprakstam. Ja vāks nav pareizi piestiprināts, neilona griezējgalva var sadalīties, radot smagas traumas.

1. Korpusa aizturus iespiediet uz iekšu, lai noņemtu pārsegu, pēc tam noņemiet spoli.

► Att.39: 1. Fiksators 2. Pārsegs

2. Sagatavojiet apmēram 3 m (9 pēdas) jaunas neilona auklas. Salokiet jauno neilona auklu, vienu galu atstājot par 80 mm (3-1/8") garāku nekā otru galu. Pēc tam jauno neilona auklu aizāķējiet ierobā spoles centrā. Abus galus cieši aptiniet ap spoli galvas griešanās virzienā (kreisās puses virziens ar norādi LH spoles sānā).

► Att.40: 1. Spole

3. Iztiniet aptuveni 100 mm (3 - 15/16") auklas, galus pagaidām aizāķējot aiz ierobiem spoles sānos.

► Att.41

4. Spoli korpusam piestipriniet tā, lai spoles rievās un izciļņi savietotos ar rievām un izciļņiem korpusā. Spoles sānus ar burtiem novietojiet tā, lai tie būtu redzami augšpusē. Pēc tam auklas galus atāķējiet no to pagaidu stiprinājuma vietas un auklas caur actiņām izvelciet no korpusa.

► Att.42: 1. Spole 2. Korpus 3. Actiņa

5. Vāka apakšdaļas izvirkumus savietojiet ar actiņu atverēm. Pēc tam spēcīgi piespiediet vāku, lai to nostiprinātu.

► Att.43

Plastmasas asmens nomaīņa

Nomainiet asmeni, ja tas ir nodilis vai salūzis.

► Att.44

Uzstādot plastmasas asmeni, pēc virziena savietojiet bultiņas, kas redzamas uz asmens un uz aizsargierīces.

► Att.45: 1. Bultiņa uz aizsargierīces 2. Bultiņa uz asmens

Lai saglabātu izstrādājuma DROŠU un UZTICAMU darbību, remontdarbus, apkopi un regulēšanu uzticiet veikt tikai Makita pilnvarotam vai rūpnīcas apkopes centram, un vienmēr izmantojiet tikai Makita rezerves daļas.

PROBLĒMU NOVĒRŠANA

Pirms nodošanas remontā vispirms veiciet pārbaudi pats. Ja konstatējat kļūmi, kas nav aprakstīta rokasgrāmatā, nemēģiniet darbarīku izjaukt. Dodieties uz Makita pilnvarotu apkopes centru un remontam vienmēr izmantojiet tikai Makita rezerves daļas.

Neatbilstošas darbības stāvoklis	Iespējamais iemesls (kļūme)	Risinājums
Motors nedarbojas.	Nav ievietota akumulatora kasetne.	Ievietojiet akumulatora kasetni.
	Akumulatora kļūme (zems spriegums)	Uzlādējiet akumulatoru. Ja uzlāde neizdodas, nomainiet akumulatoru.
	Piedziņas sistēma nedarbojas pareizi.	Dodieties to remontēt vietējā pilnvarotā apkopes centrā.
Motors izslēdzas pēc neilgas darbināšanas.	Akumulatora uzlādes līmenis ir par zemu.	Uzlādējiet akumulatoru. Ja uzlāde neizdodas, nomainiet akumulatoru.
	Darbarīks pārkarsis.	Apturiet darbarīku, lai tas atdzistu.
Darbarīks nesasniedz maksimālo apgriezīnu skaitu minūtē.	Nepareizi ievietota akumulatora kasetne.	Uzstādiēt akumulatora kasetni, kā aprakstīts šajā rokasgrāmatā.
	Samazinās akumulatora jauda.	Uzlādējiet akumulatoru. Ja uzlāde neizdodas, nomainiet akumulatoru.
	Piedziņas sistēma nedarbojas pareizi.	Dodieties to remontēt vietējā pilnvarotā apkopes centrā.
Griešanas instruments negriežas: ⇒ nekavējoties apturiet mašīnu!	Starp aizsargu un neilona griezējgalvu iestrēdzis svešķermenis, piemēram, zars.	Izņemiet svešķermeni.
	Piedziņas sistēma nedarbojas pareizi.	Dodieties to remontēt vietējā pilnvarotā apkopes centrā.
Pārmērīga vibrācija: ⇒ nekavējoties apturiet mašīnu!	Bojāts viens auklas gals.	Rotējošo neilona griešanas galvu piesitiet zemei, lai izbīdītu auklu.
	Piedziņas sistēma nedarbojas pareizi.	Dodieties to remontēt vietējā pilnvarotā apkopes centrā.
Nevar apturēt griešanas instrumentu un motoru: ⇒ nekavējoties izņemiet akumulatoru!	Elektriska vai elektroniska kļūme.	Izņemiet akumulatoru un sazinieties ar vietējo pilnvaroto apkopes centru, lai vienotos par remontu.

PAPILDU PIEDERUMI

▲BRĪDINĀJUMS: Nepiestipriniet šim darbarīkam metāla asmeni un izmantojiet tikai ieteiktos piederumus vai papildierīces, kas norādītas šajā rokasgrāmatā. Metāla asmens un citu piederumu vai papildierīču izmantošana var radīt smagas traumas.

▲UZMANĪBU: Šādi piederumi un papildierīces tiek ieteiktas lietošanai ar šajā rokasgrāmatā aprakstīto Makita darbarīku. Izmantojot citus piederumus vai papildierīces, var tikt radīta traumu gūšanas bīstamība. Piederumu vai papildierīci izmantojiet tikai paredzētajam mērķim.

Ja jums vajadzīga palīdzība vai precīzāka informācija par šiem piederumiem, vērsieties savā tuvākajā Makita apkopes centrā.

- Neilona griezējgalva
- Neilona aukla (griešanas aukla)
- Plastmasas asmens
- Makita oriģinālais akumulators un lādētājs

PIEZĪME: Daži sarakstā norādītie izstrādājumi var būt iekļauti instrumenta komplektācijā kā standarta piederumi. Tie dažādās valstīs var būt atšķirīgi.

SPECIFIKACIJOS

Modelis:		DUR187U	DUR187L	DUR188U	DUR188L
Rankenos tipas		Dviračio tipo rankena	Kilpinė rankena	Dviračio tipo rankena	Kilpinė rankena
Be apkrovos		4 000/5 000/6 000 min ⁻¹			
Bendras ilgis (be pjovimo įrankio)		1 791 mm			
Nailoninės vielos skersmuo		2,0–2,4 mm			
Taikomas pjovimo įrankis ir pjovimo skersmuo	Nailoninė pjovimo galvutė (dalis Nr. 123932-5)	300 mm			
	Plastikinis peilis (dalis Nr. 123954-5)	255 mm			
Vardinė įtampa		Nuol. sr. 18 V			
Neto svoris (naudojant BL1830B)	su nailonine pjovimo galvute	3,8 kg	3,6 kg	4,1 kg	3,9 kg
	su plastikiniu peiliu	3,9 kg	3,6 kg	4,1 kg	3,9 kg
Akumulatoriaus kasetė		BL1815N, BL1820, BL1820B, BL1830, BL1830B, BL1840, BL1840B, BL1850, BL1850B, BL1860B			

- Atliekame tęstinius tyrimus ir nuolat tobuliname savo gaminius, todėl čia pateikiamos specifikacijos gali būti keičiamos be įspėjimo.
- Įvairiose šalyse specifikacijos ir akumulatoriaus kasetė gali skirtis.
- Svoris su akumulatoriaus kasete pagal 2003-01 EPTA procedūrą

Triukšmas

Taikomas standartas : 2000/14/EC

Modelis	Tipas	Vidutinis garso slėgio lygis	Vidutinis garso galios lygis	
		L _{PA} (dB(A))	L _{WA} (dB(A))	Paklaida K (dB(A))
DUR187U	Nailoninė pjovimo galvutė	74	84	6,0
	Plastikinis peilis	79	88	0,8
DUR187L	Nailoninė pjovimo galvutė	74	84	6,0
	Plastikinis peilis	79	88	0,8
DUR188U	Nailoninė pjovimo galvutė	74	84	6,0
	Plastikinis peilis	79	88	0,8
DUR188L	Nailoninė pjovimo galvutė	74	84	6,0
	Plastikinis peilis	79	88	0,8

- Net jei pirmiau nurodytas garso slėgio lygis yra 80 dB (A) ar mažesnis, darbo metu lygis gali viršyti 80 dB (A). Dėvėkite ausų apsaugą.

Vibracija

Taikomas standartas : EN50636-2-91

Modelis	Tipas	Kairė ranka		Dešinė ranka	
		a _{h,w} (m/s ²)	Paklaida K (m/s ²)	a _{h,w} (m/s ²)	Paklaida K (m/s ²)
DUR187U	Nailoninė pjovimo galvutė	≤ 2,5	1,5	≤ 2,5	1,5
	Plastikinis peilis	≤ 2,5	1,5	≤ 2,5	1,5
DUR187L	Nailoninė pjovimo galvutė	≤ 2,5	1,5	≤ 2,5	1,5
	Plastikinis peilis	≤ 2,5	1,5	≤ 2,5	1,5

DUR188U	Nailoninė pjovimo galvutė	≤ 2,5	1,5	≤ 2,5	1,5
	Plastikinis peilis	≤ 2,5	1,5	≤ 2,5	1,5
DUR188L	Nailoninė pjovimo galvutė	≤ 2,5	1,5	≤ 2,5	1,5
	Plastikinis peilis	≤ 2,5	1,5	≤ 2,5	1,5

PASTABA: Paskelbtasis vibracijos emisijos dydis nustatytas pagal standartinį testavimo metodą ir jį galima naudoti vienam įrankiui palyginti su kitu.

PASTABA: Paskelbtasis vibracijos emisijos dydis taip pat gali būti naudojamas preliminariai įvertinti vibracijos poveikį.

⚠️ ĮSPĖJIMAS: Faktiškai naudojant elektrinį įrankį, keliamos vibracijos dydis gali skirtis nuo paskelbtojo dydžio, priklausomai nuo būdų, kuriais yra naudojamas šis įrankis.

⚠️ ĮSPĖJIMAS: Siekdami apsaugoti operatorių, būtina įvertinkite saugos priemones, remdamiesi vibracijos poveikio įvertinimu esant faktinėms naudojimo sąlygoms (atsižvelgdami į visas darbo ciklo dalis, pavyzdžiui, ne tik kiek laiko įrankis veikia, bet ir kiek kartų jis yra išjungiamas bei kai jis veikia be apkrovų).

Simboliai

Toliau yra nurodyti įrangai naudojami simboliai. Prieš naudodami įsitikinkite, ar suprantate jų reikšmę.



Būkite itin atsargūs ir dėmesingi.



Perskaitykite instrukcijų vadovą.



Pavojus; saugokitės skriejančių objektų.



Tarp įrankio ir šalia esančių žmonių turi būti bent 15 m atstumas.



Neleiskite pašaliniais asmenimis artintis prie įrenginio.



Atstumas turi būti bent 15 m.



Naudokite šalimą, apsauginius akinius ir klausos apsaugines priemones.



Užsidėkite apsaugines pirštines.



Avėkite tvirtus batus neslidžiais padais. Rekomenduojama avėti batus su plieno apsaugomis kojų pirštams.



Saugokite nuo drėgmės.



Didžiausias leistinasis įrankio greitis.



Niekada nenaudokite metalinio peilio.



Nurodymas tik ES šalims
Neišmeskite elektros įrangos arba akumulatoriaus bloko į buitinius šiukšlynus! Atsižvelgiant į ES direktyvas dėl elektros ir elektroninės įrangos atliekų, dėl baterijų ir akumuliatorių bei baterijų ir akumuliatorių atliekų ir šių direktyvų siekių įgyvendinimą pagal nacionalinius įstatymus, elektros įrangos ir baterijų bei akumuliatorių atliekas būtina surinkti atskirai nuo kitų buitinių atliekų ir atiduoti į antrinių žaliavų perdirbimo aplinkai nekenksmingu būdu punktą.

EB atitikties deklaracija

Tik Europos šalims

EB atitikties deklaracija yra pridedama kaip šio instrukcijų vadovo A priedas.

SAUGOS ĮSPĖJIMAI

SVARBIOS SAUGOS INSTRUKCIJOS

⚠️ ĮSPĖJIMAS: Perskaitykite visus saugos įspėjimus ir visą instrukciją. Nesilaikydami toliau pateiktų įspėjimų ir instrukcijų galite patirti elektros smūgį, gaisrą ir (arba) sunkų sužeidimą.

Išsaugokite visus įspėjimus ir instrukcijas, kad galėtumėte jas peržiūrėti ateityje.

1. Nuodugnai susipažinkite su valdikliais ir kaip tinkamai naudoti šį įrenginį.
2. Išjungus variklį, pjovimo dalys dar kurį laiką sukasi.
3. Niekumet neleiskite šio įrenginio naudoti vaikams arba su šia instrukcija nesusipažinusiems žmonėms.
4. Nebenaudokite šio prietaiso, jei netoliese yra žmonių, ypač vaikų ar naminių gyvūnų.
5. Įrenginį naudokite tik dienos šviesoje arba esant geram dirbtinam apšvietimui.
6. Prieš pradėdami naudoti šį įrenginį ir jam atsitrenkus į koją nors daiktą, patikrinkite, ar nėra jo nusidėvėjimo arba pažeidimo požymių ir, jeigu reikia, pataisykite.
7. Būkite atsargūs, kad nesusižeistumėte jokiai įtaisu, skirtu vielos ilgiui sutrumpinti. Pailginę naują pjoviklio vielą, visada sugrąžinkite įrenginį į jo įprastą darbo padėtį ir tik tuomet jį įjunkite.
8. Niekada nemontuokite metalinių pjovimo dalių.
9. Asmenims (įskaitant vaikus), nesugebantiems saugiai naudotis prietaisu dėl savo psichinio, jutiminio arba protinio neįgalumo arba patirties bei žinių stokos, negalima naudotis šiuo prietaisu be už šių asmenų saugumą atsakingų asmenų priežiūros ir nurodymų. Būtina prižiūrėti vaikus, kad jie nežaistų su šiuo prietaisu.

10. Naudodami šį įrankį, būkite labai atsargūs ir atidūs.
11. Naudokite šį įrankį tik būdami geros fizinės būklės. Visus darbus atlikite ramiai ir atidžiai. Vadovaukitės sveika nuovoka ir prisiminkite, kad operatorius arba vartotojas yra atsakingas už nelaimingus atsitikimus ar žalą, padarytą kitiems žmonėms arba jų turtui.
12. Nenaudokite šio įrankio, jei esate pavargę, jaučiatės sergą arba apsvaigę nuo alkoholio ar narkotikų.
13. Jeigu įrankis ima neįprastai veikti, nedelsdami išjunkite jį.

Numatytoji įrankio paskirtis

1. Naudokite tinkamą įrankį. Ši belaidė žoliapjovė skirta tik žolei ir neperaugusioms piktžolėms pjauti. Ji nėra skirta jokiems kitiems tikslams, pavyzdžiui, gyvatvorės karpymui, nes galima susižeisti.

Asmeninės apsaugos priemonės

► Pav.1

► Pav.2

1. Tinkamai apsirenkite. Reikia dėvėti tinkamus darbinis drabužius, t. y. jie turi būti prigludę, bet neaptempti. Nedėvėkite papuošalų ar plaučių drabužių, kurie galėtų įsipainioti aukštoje žolėje. Užsidėkite apsauginį plaukų apdangalą, kad prilaikytų ilgus plaukus.
2. Naudodami šį įrankį, visuomet dėvėkite tvirtus batus neslidžiais padais. Jie apsaugo kojas nuo sužeidimų ir užtikrina tinkamą pusiausvyrą.
3. Užsidėkite apsauginius arba darbo akinius.

Elektros ir akumuliatoriaus sauga

1. Venkite pavojingos aplinkos. Nenaudokite šio įrankio drėgnoje arba šlapioje vietoje; saugokite jį nuo lietaus. Į šį įrankį patekęs vanduo padidina elektros smūgio pavojų.
2. Įkraukite naudodami tik gamintojo nurodytą įkroviklį. Įkroviklis, kuris tinka vienam akumuliatorių tipui įkrauti, gali kelti gaisro pavojų, jei bus naudojamas su kitų tipų akumuliatoriais.
3. Elektrinius įrankius naudokite tik su specialiai jiems skirtais akumuliatoriais. Naudojant bet kurį kitą akumuliatorių gali kilti sužeidimo ir gaisro pavojus.
4. Kai akumuliatorius nėra naudojamas, laikykite jį toliau nuo kitų metalinių daiktų, pavyzdžiui, popieriaus sąvaržėlių, monetų, raktų, vinių, varžtų ir kitų mažų metalinių daiktų, dėl kurių gali kilti trumpasis jungimas tarp kontaktų. Akumuliatorių kontaktų trumpasis jungimas gali būti nudegimų arba gaisro priežastimi.
5. Netinkamai naudojant iš akumuliatoriaus gali ištekėti skysčio. Venkite sąlyčio su juo. Jei sąlytis atsitiktinai įvyko, gausiai nuplaukite vandeniu. Jeigu skysčio patektų į akis, kreipkitės pagalbos į medikus. Iš akumuliatoriaus išbėgęs skystis gali sudirginti arba nudeginti odą.
6. Nemeskite akumuliatoriaus (-ių) į ugnį. Akumuliatoriaus elementas gali sprogti. Pasitikrinkite, ar vietiniai įstatymai neaprašo specialaus išmetimo būdo.
7. Neatidarykite ir neardykite akumuliatoriaus (-ių). Ištekėjęs elektrolitas yra edančiai medžiaga, kuri gali pažeisti akis ar odą. Nurytas jis gali apnuodyti.

Įrankio paleidimas

► Pav.3

1. Įsitikinkite, ar vaikai ir kiti žmonės yra bent per 15 metrų (50 pėdų) nuo darbo vietos, taip pat atkreipkite dėmesį, ar netoliese nėra kokius nors gyvūnų. Kitaip nenaudokite šio įrankio.
2. Prieš pradėdami naudoti šį įrankį, patikrinkite, ar jį saugu naudoti. Patikrinkite pjovimo įrankio saugą ir įsitikinkite, ar lengvai ir tinkamai veikia apsauginis įtaisas ir gaidukas / svirtis. Patikrinkite, ar rankenos yra švarios ir sausos; taip pat patikrinkite, ar tinkamai veikia įjungimo / išjungimo jungiklis.
3. Prieš pradėdami naudoti šį įrankį, patikrinkite, ar nėra sugedusių dalių. Atidžiai apžiūrėkite sugadintą apsauginį gaubtą ar kitą dalį ir nustatykite, ar ji veiks tinkamai ir atliks savo funkciją. Patikrinkite judančių dalių suljuginimą, suveržimą, ar nėra sulūžusių dalių, ar dalys tinkamai sumontuotos ir kitas sąlygas, kurios gali paveikti prietaiso veikimą. Sugadintą apsauginį gaubtą ar kitą dalį reikia tinkamai pataisyti arba pakeisti mūsų įgaliotajame techninės priežiūros centre, nebet šioje instrukcijoje būtų nurodyta kitaip.
4. Įjunkite variklį tik tuomet, kai rankos ir kojos bus atokiai nuo pjovimo įrankio.
5. Prieš įjungdami šį pjovimo įrankį, įsitikinkite, ar jis nesiliečia prie jokių kietų objektų, pavyzdžiui, šakų, akmenų ir pan., nes įjungus įrankį gali įvykti atatranka.

Naudojimo būdas

1. Niekada nenaudokite šio įrenginio, jei apgadinti arba nuimti jo apsauginiai gaubtai.
2. Naudokite šį įrankį tik esant geram apšvietimui ir matomumui. Žiemos metu saugokitės slidžių ar šlapių vietų, ledo ir sniego (pavojus palystyti). Visuomet tvirtai stovėkite ant žemės.
3. Būkite atsargūs, kad nesusižeistumėte pjovimo įrankiu kojų ir rankų.
4. Rankas ir kojas visada laikykite atokiai nuo pjovimo dalių, ypač tada, kai įjungiate variklį.
5. Niekada nepjunkite aukščiau savo juosmens.
6. Niekada nenaudokite šio įrankio stovėdami ant kopėčių.
7. Niekada nedirbkite stovėdami ant nestabilių paviršių.
8. Nepersitempkite. Visuomet tvirtai stovėkite ant žemės, išlaikykite pusiausvyrą.
9. Iš darbo vietos pašalinkite smėlį, akmenis, vėnis ir pan. Pašalinės dalelės gali sugadinti pjovimo įrankį ir sukelti pavojingą atatranką, dėl kurios galite būti sunkiai sužeisti.
10. Jei pjovimo įrankis atsitrenktų į akmenį ar kokį nors kitą kietą objektą, tuoj pat išjunkite variklį ir apžiūrėkite pjovimo įrankį.
11. Prieš pradėdami pjauti, pjovimo įrankis turi pasiekti maksimalų darbo greitį.
12. Dirbdami visuomet tvirtai laikykite šį įrankį abiem rankomis. Naudodami šį įrankį, niekuomet nevaldykite jo viena ranka. Visuomet tvirtai stovėkite ant žemės.
13. Darbo metu privaloma naudoti visus su šiuo įrankiu pateiktus apsauginius įtaisas, pavyzdžiui, apsauginius gaubtus.
14. Niekuomet nemeskite šio įrankio ant žemės, išskyrus avarinius atvejus, nes kitaip galite smarkiai jį sugadinti.
15. Niekada netempkite įrankio žeme iš vienos vietos į kitą, nes traukiant įrankį tokiu būdu jis gali būti sugadintas.

16. Ištraukite iš įrankio akumulatoriaus kasetę:
 - kai paliekate įrankį be priežiūros;
 - prieš pašalindami užsikimšimą;
 - prieš atlikdami šio įrankio patikrą, valymą ir prieš pradėdami darbą;
 - prieš atlikdami bet kokius reguliavimo, priedų keitimo arba paruošimo sandėliuoti darbus;
 - kai įrankis pradeda neįprastai vibruoti;
 - kai įrankį gabenate.
17. Nespauskite įrankio jėga. Naudodami jį numatytu pajėgumu, darbą atlikite geriau ir sumažės tikimybė susižeisti.
18. Nedirbkite elektriniais įrankiais sprogoje aplinkoje, pavyzdžiui, kai yra degių skysčių, dujų ar dulkių. Elektriniai įrankiai skleidžia kibirkštis, kurios gali uždegti dulkes arba garus.
19. Pailsėkite, kad dėl nuovargio neprarastumėte gebėjimo valdyti įrankį. Rekomenduojame kas valandą pailsėti nuo 10 iki 20 minučių.

Techninės priežiūros instrukcija

1. Prieš pradėdami darbą, būtina patikrinti šio pjovimo įrankio, apsauginių įtaisų ir perpetės diržo būklę.
2. Prieš atlikdami techninės priežiūros darbus, keisdami arba valydami pjovimo įrankį, išjunkite variklį ir išimkite akumulatoriaus kasetę.
3. Pabaigę darbą, ištraukite iš įrankio akumulatoriaus kasetę ir patikrinkite, ar ji nepažeista.
4. Patikrinkite, ar neatsilaisvino tvirtinimo dalys ir ar nepažeistos dalys, pavyzdžiui, ar pjovimo įrankyje nėra didelių įtrūkimų.
5. Nenaudojamą prietaisą laikykite sausoje, rakinamoje patalpoje arba aukštai padėta, kad jo nepasiektų vaikai.
6. Naudokite tik gamintojo rekomenduojamas keičiamąsias dalis ir priedus.
7. Ventilacijos angos turi būti švarios: nedulkėtos ir nepurvinos.
8. Reguliariai valykite įrankį, ypač prieš / po naudojimo. Šis įrankis privalo būti remontuojamas tik mūsų įgaliotajame techninės priežiūros centre.
9. Rankenos turi būti sausos, švarios ir neištepotos tepalu.

SAUGOKITE ŠIAS INSTRUKCIJAS.

▲PSPĖJIMAS: NELEISKITE, kad patogumas ir gaminio pažinimas (įgyjamas pakartotinai naudojant) susilpnintų griežtą saugos taisyklių, taikytinų šiam gaminiui, laikymąsi. Dėl NETINKAMO NAUDOJIMO arba saugos taisyklių, kurios pateiktos šioje instrukcijoje, nesilaikymo galima rimtai susižeisti.

Svarbios saugos instrukcijos, taikomos akumulatoriaus kasetei

1. Prieš naudodami akumulatoriaus kasetę, perskaitykite visas instrukcijas ir perspėjimus ant (1) akumuliatorių įkroviklio, (2) akumuliatorių ir (3) akumuliatorių naudojančio gaminio.
2. Neardykite akumulatoriaus kasetės.

3. Jei įrankio darbo laikas žymiai sutrumpėjo, nedelsdami nutraukite darbą su įrankiu. Tai gali kelti perkaitimo, nudegimų ar net sprogmų pavojų.
4. Jei elektrolitas pateko į akis, plaukite jas tyru vandeniu ir nedelsdami kreipkitės į gydytoją. Gali kilti regėjimo praradimo pavojus.
5. Neužtrumpinkite akumulatoriaus kasetės:
 - (1) Nelieskite kontaktų degiomis medžiagomis.
 - (2) Venkite laikyti akumulatoriaus kasetę kartu su kitais metaliniais daiktais, pavyzdžiui, vinimis, monetomis ir pan.
 - (3) Saugokite akumulatoriaus kasetę nuo vandens ir lietaus.

Trumpasis jungimas akumuliatoriuje gali sukelti stiprią srovę, perkaitimą, galimus nudegimus ar net akumulatoriaus gedimą.
6. Nelaikykite įrankio ir akumulatoriaus kasetės vietoje, kur temperatūra gali pasiekti ar viršyti 50 °C.
7. Nedeginkite akumulatoriaus kasetės, net jei yra stipriai pažeista ar visiškai susidėvėjusi. Ugnyje akumulatoriaus kasetę gali sprogti.
8. Saugokite akumuliatorių nuo kritimo ir smūgių.
9. Nenaudokite pažeisto akumulatoriaus.
10. Įdėtomis ličio jonų akumuliatoriams taikomi Pavojaingų prekių teisės akto reikalavimai. Komerčinis transportas, pvz., trečiųjų šalių, prekių vežimo atstovų, turi laikytis specialaus reikalavimo ant pakuotės ir ženklavimo. Norėdami paruošti siųstiną prekę, pasitarkite su pavojaingų medžiagų specialistu. Be to, laikykitės galimai išsamesnių nacionalinių reglamentų. Užklijuokite juosta arba padenkite atvirus kontaktus ir supakuokite akumuliatorių taip, kad ji pakuotėje nejudėtų.
11. Vadovaukitės vietos įstatymais dėl akumuliatorių išmetimo.

SAUGOKITE ŠIAS INSTRUKCIJAS.

▲PERSPĖJIMAS: Naudokite tik originalų „Makita“ akumuliatorių. Neoriginalaus „Makita“ arba pakeisto akumulatoriaus naudojimas gali nulemti gaisrą, asmens sužalojimą ir pažeidimą. Tai taip pat panaikina „Makita“ suteikiamą „Makita“ įrankio ir įkroviklio garantiją.

Patarimai, ką daryti, kad akumuliatorius veiktų kuo ilgiau

1. Pakraukite akumulatoriaus kasetę prieš jai visiškai išsikraunant. Visuomet nustokite naudoti įrankį ir pakraukite akumulatoriaus kasetę, kai pastebite, kad įrankio galia sumažėjo.
2. Niekada nekraukite iki galo įkrautos akumulatoriaus kasetės. Perkraunant trumpėja akumulatoriaus eksploatacijos laikas.
3. Akumulatoriaus kasetę kraukite esant kambario temperatūrai 10 - 40 °C. Prieš pradėdami krauti, leiskite įkautusiai akumulatoriaus kasetei atvėsti.
4. Įkraukite akumulatoriaus kasetę, jei jos nenaudojate ilgą laiką (ilgiau nei šešis mėnesius).

DALIŲ APRAŠYMAS

► Pav.4

1	Akumuliatoriaus kasetė	2	Atlaisvinimo svirtis	3	Gaidukas	4	Kilpelė
5	Rankena	6	Apsauga (pjovimo įrankio apsauga)	7	Vielos apsauginis gaubtas	8	Fiksavimo svirtis (tik DUR188U ir DUR188L)
9	Sujungimo vietos gaubtelis (tik DUR188U ir DUR188L)	10	Dangtelis (tik DUR188U ir DUR188L)	11	Greičio indikatorius	12	Automatinio greičio reguliavimo indikatorius
13	Maitinimo lemputė	14	Pagrindinis įjungimo mygtukas	15	Atbulinės eigos mygtukas	16	Perpetinis diržas

* Apsaugos forma priklauso nuo šalies.

VEIKIMO APRAŠYMAS

▲ JSPĖJIMAS: Prieš pradėdami reguliuoti arba tikrinti įrankio veikimą, visuomet būtinai išjunkite įrankį ir išimkite akumuliatoriaus kasetę. Neišjungus ir neišėmus akumuliatoriaus kasetės, netyčia įjungus įrankį, galima sunkiai susižeisti.

Akumuliatoriaus kasetės uždėjimas ir nuėmimas

▲ PERSPĖJIMAS: Prieš įdėdami arba išimdami akumuliatoriaus kasetę, visada išjunkite įrankį.

▲ PERSPĖJIMAS: Įdėdami arba išimdami akumuliatoriaus kasetę, tvirtai laikykite įrankį ir akumuliatoriaus kasetę. Jeigu įrankis ir akumuliatoriaus kasetę laikysite netvirtai, jie gali išsllysti iš jūsų rankų, todėl įrankis ir akumuliatoriaus kasetė gali būti sugadinti, o naudotojas sužalotas.

► **Pav.5:** 1. Raudonas indikatorius 2. Mygtukas 3. Akumuliatoriaus kasetė

Jei norite išimti akumuliatoriaus kasetę, ištraukite ją iš įrankio, stumdami mygtuką, esantį kasetės priekyje.

Jei norite įdėti akumuliatoriaus kasetę, sulygiuokite liežuvėlį ant akumuliatoriaus kasetės su grioveliu korpuse ir įstumkite į jai skirtą vietą. Įdėkite iki galo, kol spragtelėdama užsifiksuos. Jeigu matote raudoną indikatorių viršutinėje mygtuko pusėje, ji nėra visiškai užfiksuota.

▲ PERSPĖJIMAS: Akumuliatoriaus kasetę visada įkiškite iki galo, kol nebematysite raudono indikatoriaus. Priešingu atveju ji gali atsitiktinai iškristi iš įrankio, sužeisti jus arba aplinkinius.

▲ PERSPĖJIMAS: Nekiškite akumuliatoriaus kasetės jėga. Jeigu kasetė sunkiai lenda, ją kišate netinkamai.

Įrankio / akumuliatoriaus apsaugos sistema

Įrankyje įrengta įrankio / akumuliatoriaus apsaugos sistema. Ši sistema automatiškai atjungia variklio maitinimą, kad įrankis ir akumuliatorius ilgiau veiktų. Įrankis automatiškai išsijungs darbo metu esant vienai iš toliau nurodytų įrankio arba akumuliatoriaus darbo sąlygų:

Būsena	Indikatorių lemputės		
	<input type="checkbox"/> šviečia	<input type="checkbox"/> nešviečia	<input type="checkbox"/> blyksi
Perkrova			
Perkaitimas			
Per didelis išsikrovimas			

Apsauga nuo perkrovos

Jei įsipainiojusios žolės ar kitos liekanos pernelyg apkrauna įrankį, pradeda blyksėti ir vidurinis indikatoriai, o įrankis automatiškai sustabdomas.


Tokiu atveju atleiskite įrankio gaiduką ir nutraukite darbą, dėl kurio kilo įrankio perkrova. Po to vėl įjunkite įrankį.

Įrankio arba akumuliatoriaus apsauga nuo perkaitimo

Yra du perkaitimo tipai: įrankio perkaitimas ir akumuliatoriaus perkaitimas. Kai perkaista įrankis, blyksi visi greičio indikatoriai. Kai perkaista akumuliatorius, blyksi indikatorius.

Jei užfiksuojamas perkaitimas, įrankis automatiškai sustabdomas. Palaukite, kol įrankis ir (arba) akumuliatorius atvės prieš vėl įjungdami įrankį.

Apsauga nuo visiško išsekimo

Kai lieka mažai akumulatoriaus galios, įrankis automatiškai sustabdomas ir blyksi  indikatorius.










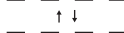
Jeigu įrankis neveikia net ir spaudžiant jungiklius, išimkite akumuliatorių iš įrankio ir įkraukite jį.

Likusios akumulatoriaus galios rodymas

Tik akumulatoriaus kasetėms su indikatoriumi

► **Pav.6:** 1. Indikatorijų lemputės 2. Tikrinimo mygtukas

Paspauskite akumulatoriaus kasetės tikrinimo mygtuką, kad būtų rodoma likusi akumulatoriaus energija. Maždaug trims sekundėms užsidegs indikatorijų lemputės.

Indikatorijų lemputės			Likusi galia
 Šviečia	 Nešviečia	 Blyksi	
			75 - 100 %
			50 - 75 %
			25 - 50 %
			0 - 25 %
			Įkraukite akumuliatorių.
			Galimai įvyko akumulatoriaus veikimo triktis.
			

PASTABA: Rodmuo gali šiek tiek skirtis nuo faktinės energijos lygio – tai priklauso nuo naudojimo sąlygų ir aplinkos temperatūros.

Maitinimo jungiklio veikimas

▲JSPĖJIMAS: Prieš sumontuodami akumulatoriaus kasetę įrankyje, visuomet patikrinkite, ar gaiduko mygtukas gerai veikia ir atleistas grįžta į padėtį „OFF“. Naudojant įrankį, kurio gaidukas netinkamai veikia, galima prarasti kontrolę ir sunkiai susižaloti.

▲PERSPĖJIMAS: Nešdami įrankį, niekada nelaikykite piršto ant jungiklio. Galite atsitiktinai įjungti įrankį ir susižaloti arba sužaloti kitus.

Norėdami įjungti įrankį, paspauskite pagrindinį įjungimo mygtuką ir palaikykite jį nuspaudę kelias sekundes.

Norėdami įrankį išjungti, dar kartą paspauskite pagrindinį įjungimo mygtuką.

► **Pav.7:** 1. Pagrindinis įjungimo mygtukas

Kad gaidukas nebūtų atsitiktinai nuspaustas, yra įrengta atlaisvinimo svirtis.

Norėdami įjungti įrankį, ranka suspauskite rankeną (suspaudus atleidžiama atlaisvinimo svirtis), tada patraukite gaiduką. Norėdami išjungti įrankį, atleiskite gaiduką.

DUR187U ir DUR188U

► **Pav.8:** 1. Atlaisvinimo svirtis 2. Gaidukas

DUR187L ir DUR188L

► **Pav.9:** 1. Atlaisvinimo svirtis 2. Gaidukas





PASTABA: Jeigu įrankiu vieną minutę neatliksite jokių veiksmų, įrankis automatiškai išsijungs.

Greičio reguliavimas

Įrankio greitį galima reguliuoti spaudant pagrindinį įjungimo mygtuką.

Kaskart spustelėjus pagrindinį įjungimo mygtuką, pakeičiamas galios lygis.

► **Pav.10:** 1. Pagrindinis įjungimo mygtukas

Indikatorius	Režimas	Sukimosi greitis
	Automatinis	4 000–6 000 min ⁻¹
	Didelis	6 000 min ⁻¹
	Vidutinis	5 000 min ⁻¹
	Mažas	4 000 min ⁻¹

Atbulinės eigos mygtukas šiukšlėms šalinti

▲JSPĖJIMAS: Išjunkite įrankį ir išimkite akumulatoriaus kasetę, prieš pradėdami šalinti piktžoles arba nuopjovas, kurių naudojant atbulinės eigos funkciją pašalinti nepavyko. Neišjungus ir neišėmus akumulatoriaus kasetės, netyčia įjungus įrankį, galima sunkiai susižeisti.

Šis įrankis turi atbulinės eigos mygtuką sukimosi kryptčiai keisti. Jis naudojamas tik aplink įrankį apsisuksiomis piktžolėms ir šiukšlėms šalinti.

Norėdami pakeisti sukimosi kryptį, spustelėkite atbulinės eigos mygtuką ir, kai įrankio galvutė nebesisuks, patraukite gaiduką. Patraukus gaiduką, maitinimo kontrolinė lemputė pradės žybcioti ir įrankio galvutė suksis atbuline kryptimi. Norėdami, kad galvutė vėl suktųsi įprasta kryptimi, atleiskite gaiduką ir palaukite, kol įrankio galvutė sustos.

► **Pav.11:** 1. Atbulinės eigos mygtukas

PASTABA: Galvutei sukantis atbuline kryptimi, įrankis tik trumpai paveikia ir automatiškai išsijungia.

PASTABA: Kai įrankis išsijungia, vėl jį įjungus, jo galvutė vėl sukasi įprasta kryptimi.

PASTABA: Jeigu atbulinės eigos mygtuką paspausite tada, kai įrankio galvutė vis dar suksis, įrankis sustos ir bus pasirengęs atbulinei sukimosi kryptčiai.

Nailoninė pjovimo galvutė

Pasirenkamas priedas

PASTABA: Tiekimo stuktelint funkcija tinkamai neveiks, jeigu galvutė nesisuks.

► **Pav.12:** 1. Našiausia pjovimo sritis

Nailoninė pjovimo galvutė yra dviguba vielinės žoliapjovės galvutė su paleidimo ir tiekimo mechanizmu (paleidžiamu stuktelėjus).

Norint, kad nailoninė viela būtų tiekiamą, varikliui veikiančiam stuktelėkite nailoninę pjovimo galvutę į žemę.

PASTABA: Jeigu stuktelėjus galvutę nailoninė viela netiekiamą, atsukite / pakeiskite nailoninę viela, atlikdami veiksmus, aprašytus skyriuje „Techninė priežiūra“.

SURINKIMAS

⚠️PERSPĖJIMAS: Prieš pradėdami bet kokius įrankio taisymo, priežiūros, reguliavimo ar valymo darbus, visuomet būtinai išjunkite įrankį ir išimkite akumuliatoriaus kasetę. Neišjungus ir neišėmus akumuliatoriaus kasetės, netyčia įjungus įrankį, galima sunkiai susižeisti.

⚠️PERSPĖJIMAS: Niekada nepaleiskite įrankio, kol jis nebus visiškai sumontuotas. Naudojant iš dalies sumontuotą įrankį, jis gali netyčia pasileisti ir sunkiai sužeisti.

Rankenos sumontavimas

Tik modeliams DUR187U ir DUR188U

1. Įkiškite rankenos vamzdį į laikomąją rankenos dalį. Sutapdinkite rankenoje esančią varžto skylę su skylė vamzdyje. Tvirtai priveržkite varžtą.

► **Pav.13:** 1. Laikomoji rankenos dalis 2. Varžtas 3. Rankena

2. Uždėkite rankeną tarp rankenos apkabos ir rankenos laikiklio. Pareguliuokite rankenos kamą, kad jums būtų patogiu dirbti, tuomet pritvirtinkite varžtais šešiakampe lizdine galvute.

► **Pav.14:** 1. Varžtas šešiakampe lizdine galvute 2. Rankenos apkaba

Priedo vamzdžio sumontavimas

Tik modeliams DUR188U ir DUR188L

Pritvirtinkite priedo vamzdį prie galios įrenginio.

1. Pasukite svirtį paveikslėlyje parodytos rodyklės kryptimi.

► **Pav.15:** 1. Svirtis

2. Pakelkite sujungimo vietos gaubtelį ir įkiškite priedo vamzdį, sutapdinę vamzdžio iškyšą (pjovimo įrankio pusėje) su įgaubta vieta sujungimo dalyje.

► **Pav.16:** 1. Fiksavimo svirtis 2. Sujungimo vietos gaubtelis 3. Vamzdis

Pasirūpinkite, kad fiksavimo svirties paviršius būtų lygiagretus su vamzdžiu.

3. Pasukite svirtį paveikslėlyje parodytos rodyklės kryptimi.

► **Pav.17:** 1. Svirtis

Norėdami išimti vamzdį, pasukite svirtį paveikslėlyje parodytos rodyklės kryptimi ir ištraukite vamzdį, spausdami fiksavimo svirtį žemyn.

► **Pav.18:** 1. Svirtis 2. Fiksavimo svirtis 3. Vamzdis

Apsauginio gaubto montavimas

⚠️PERSPĖJIMAS: Niekada nenaudokite įrankio, tinkamai neuždėję pavaizduoto apsauginio įtaiso. Antraip galite sunkiai susižeisti.

⚠️PERSPĖJIMAS: Būkite atsargūs, kad nesusižeistumėte į pjoviklį, skirtą nailoninei vielai nupjauti.

PASTABA: Apsaugos forma priklauso nuo šalies.

1. Sutapdinkite apsauginio įtaiso iškyšas su variklio korpuse esančiais grioveliais.

► **Pav.19:** 1. Saugiklis 2. Griovelis 3. Iškyša

2. Sutapdinkite apsauginio įtaiso laikiklio iškyšas su variklio korpuse priešais esančiomis dalimis.

► **Pav.20:** 1. Apsauginio įtaiso laikiklis 2. Iškyša

3. Gerai priveržkite varžtus šešiakampe lizdine galvute, kad pritvirtintumėte apsaugą ir jos laikiklį.

► **Pav.21:** 1. Varžtas šešiakampe lizdine galvute 2. Šešiakampis raktas

Vielos apsauginio gaubto montavimas

⚠️PERSPĖJIMAS: Prieš reguliuodami vielos apsauginį gaubtą, palaukite, kol pjovimo galvutė visiškai sustos. Nereguliuokite vielos apsauginio įtaiso koją.

► **Pav.22**

Norėdami sumažinti pavojų sugadinti priešais pjovimo galvutę esančius objektus, vielos apsauginį gaubtą įtaisykite taip, kad jis apsaugotų sritį ties žolės pjovimo linija.

Šiek tiek pastumkite vielos apsauginį gaubtą į išorinę pusę, tada įtaisykite jį į apsauginiame įtaise esančias angas.

► **Pav.23:** 1. Vielos apsauginis gaubtas

PASTABA: Nestumkite vielos apsauginio gaubto išorėn per daug. Kitaip jis gali nulūžti.

Jeigu vielos apsauginio gaubto nenaudojate, pakelkite jį į tuščiosios eigos padėtį.

► **Pav.24**

Nailoninės pjovimo galvutės montavimas

Pasirenkamas priedas

⚠️ PERSPĖJIMAS: Jeigu dirbant nailoninė pjovimo galvutė netyčia atsitrenktų į akmenį arba kitą kietą objektą, išjunkite įrankį ir apžiūrėkite, ar jį neapgadinta. Jeigu nailoninė galvutė apgadinta, tuoj pat pakeiskite ją nauja. Naudojant apgadintą pjovimo įrankį, galima sunkiai susižaloti.

⚠️ PERSPĖJIMAS: Sumontavę būtinai išimkite šešiakampį veržliaraktį.

PASTABA: Būtinai naudokite tik originalią „Makita“ nailoninę pjovimo galvutę.

- **Pav.25:** 1. Nailoninė pjovimo galvutė 2. Metalinis apsauginis gaubtas 3. Velenas 4. Šešiakampis veržliaraktis

1. Apverskite įrankį aukštyn kojomis ir galėsite lengvai pakeisti pjovimo įrankį.
2. Įkiškite šešiakampį raktą pro skylę variklio korpuso ir sukite veleną tol, kol jis užsifiksuos.
3. Dėkite nailoninę pjovimo galvutę tiesiai ant sriegiuoto veleno ir priveržkite ją, sukdami prieš laikrodžio rodyklę.
4. Ištraukite šešiakampį veržliaraktį.

Norėdami nuimti nailoninę pjovimo galvutę, laikydami imtuvo poveržlę šešiakampiu veržliarakčiu, sukite nailoninę pjovimo galvutę pagal laikrodžio rodyklę.

Plastikinio peilio sumontavimas

Pasirenkamas priedas

⚠️ PERSPĖJIMAS: Jeigu dirbant plastikinis peilis netyčia atsitrenktų į akmenį arba kitą kietą objektą, išjunkite įrankį ir apžiūrėkite, ar peilis neapgadintas. Jeigu plastikinis peilis būtų apgadintas, tuoj pat jį pakeiskite. Naudojant apgadintą pjovimo įrankį, galima sunkiai susižaloti.

⚠️ PERSPĖJIMAS: Sumontavę būtinai išimkite šešiakampį veržliaraktį.

PASTABA: Būtinai naudokite originalų „Makita“ plastikinį peilį.

- **Pav.26:** 1. Plastikinis peilis 2. Metalinis apsauginis gaubtas 3. Šešiakampis raktas

1. Apverskite įrankį aukštyn kojomis ir galėsite lengvai pakeisti pjovimo įrankį.
2. Įkiškite šešiakampį raktą pro skylę variklio korpuso ir sukite veleną tol, kol jis užsifiksuos.
3. Sumontuokite plastikinį peilį tiesiai ant sriegiuoto veleno ir priveržkite, sukdami jį prieš laikrodžio rodyklę.
4. Ištraukite šešiakampį raktą.

Norėdami nuimti plastikinį peilį, laikydami imtuvo poveržlę šešiakampiu veržliarakčiu, sukite jį pagal laikrodžio rodyklę.

Rankenos / kilpelės padėties reguliavimas

Sureguliuokite rankenos ir kilpelės padėtis taip, kad įrankį būtų patogiu laikyti.

Tik modeliams DUR187U ir DUR188U

Atlaisvinkite varžtus šešiakampe lizdine galvute rankenos laikiklio apačioje. Pastumkite rankeną į patogią dirbti padėtį ir priveržkite varžtus.

- **Pav.27:** 1. Rankenos laikiklis 2. Varžtas šešiakampe lizdine galvute 3. Rankena

Atlaisvinkite kilpelės varžtus šešiakampe lizdine galvute. Pastumkite kilpelę į patogią dirbti padėtį ir priveržkite varžtus.

- **Pav.28:** 1. Varžtas šešiakampe lizdine galvute 2. Kilpelė

Tik modeliams DUR187L ir DUR188L

Atlaisvinkite rankenos varžtus šešiakampe lizdine galvute. Pastumkite rankeną į patogią dirbti padėtį ir priveržkite varžtus.

- **Pav.29:** 1. Varžtas šešiakampe lizdine galvute 2. Rankena

Atlaisvinkite kilpelės varžtą šešiakampe lizdine galvute. Pastumkite kilpelę į patogią dirbti padėtį ir priveržkite varžtą.

- **Pav.30:** 1. Varžtas šešiakampe lizdine galvute 2. Kilpelė

Šešiabriaunio veržliarakčio laikymas

⚠️ PERSPĖJIMAS: Būkite atsargūs, kad nepaliktumėte šešiakampio rakto įkišto į įrankio galvutę. Jis gali sužaloti ir (arba) sugadinti įrankį.

Nenaudojamą šešiakampį raktą laikykite taip, kaip parodyta paveikslėlyje, kad nepamestumėte.

- **Pav.31:** 1. Šešiakampis veržliaraktis

Tik modeliams DUR187L ir DUR188L

- **Pav.32:** 1. Rankena 2. Šešiakampis raktas

NAUDOJIMAS

Tinkamas įrenginio nešimas

⚠️ ĮSPĖJIMAS: Įrankį visada laikykite dešinėje pusėje. Tinkamai laikant įrankį, jį galima maksimaliai kontroliuoti ir sumažinti susižeidimo pavojų, kurį sukelsia atitranka.

⚠️ ĮSPĖJIMAS: Tuo metu būkite labai atsargūs, kad suvaldytumėte įrankį. Neleiskite, kad įrankis būtų nukreiptas jūsų arba kito, šalia darbo vietos esančio žmogaus, link. Nesuvaldžius įrankio, galima sunkiai susižeisti arba sužeisti šalia esančius žmones ir operatorių.

⚠️ ĮSPĖJIMAS: Kai toje pačioje vietoje dirba du arba daugiau operatorių, tarp jų turi būti išlaikomas didesnis nei 15 m (50 pėdų) atstumas, kad būtų išvengta nelaimingo atsitikimo. Taip pat reikia paskirti asmenį, kuris stebėtų atstumą tarp operatorių. Jei žmogus arba gyvūnas įžengia į darbinę sritį, nedelsdami nutraukite darbą.

DUR187U ir DUR188U

► Pav.33

DUR187L ir DUR188L

► Pav.34

Perpetinio diržo tvirtinimas

▲PERSPĖJIMAS: Visada naudokite pritvirtintą perpetinį diržą. Prieš darbą sureguliuokite perpetinį diržą pagal naudotoją, tai padės išvengti nuovargio.

Prikabinkite perpetinio diržo kabliuką prie kilpelės ir užsidėkite perpetinį diržą. Įsitinkinkite, ar perpetinis diržas tvirtai laiko įrankį.

DUR187U ir DUR188U

► Pav.35: 1. Kablys 2. Kilpelė

DUR187L ir DUR188L

► Pav.36: 1. Kablys 2. Kilpelė

Atkabimas

Perpetiniame dirže yra greitojo atkabimo įtaisas.

DUR187U ir DUR188U

► Pav.37: 1. Juostelė

Ištraukite juostelę, kad atkabintumėte įrankį nuo perpetinio diržo.

DUR187L ir DUR188L

► Pav.38: 1. Sagtis

Tiesiog suspauskite sagties šonus, kad atkabintumėte įrankį nuo perpetinio diržo.

TECHNINĖ PRIEŽIŪRA

▲JSPĖJIMAS: Prieš bandydami atlikti įrankio tikrinimo arba techninės priežiūros darbus, visomet būtinai išjunkite įrankį ir išimkite akumulatoriaus kasetę. Neišjungus ir neišėmus akumuliatoriaus kasetės, netyčia įjungus įrankį, galima sunkiai susižeisti.

PASTABA: Niekada nenaudokite gazolino, benzino, tirpiklio, spirito arba panašių medžiagų. Gali atsirasti išblukimų, deformacijų arba įtrūkimų.

Nailoninės vielos keitimas

▲JSPĖJIMAS: Naudokite tik skyrelyje „SPECIFIKACIJOS“ nurodyto skersmens nailoninę vielą. Niekada nenaudokite sunkesnės, metalinės vielos, lyno ar pan. Naudokite tik rekomenduojamą nailoninę vielą, antraip galite sugadinti įrankį ir sunkiai susižaloti.

▲JSPĖJIMAS: Nailoninės pjovimo galvutės apsauginį gaubtą būtinai reikia tinkamai pritvirtinti prie korpuso, kaip aprašyta toliau. Tinkamai nepritvirtinus apsauginio gaubto, nailoninė pjovimo galvutė gali nuskristi ir sunkiai sužeisti.

1. Įspauskite korpuso fiksatorius į vidų, tada nuimkite ritę.

► Pav.39: 1. Fiksatorius 2. Gaubtas

2. Paruoškite maždaug 3 m (9 pėdų) naujos nailoninės vielos. Sulenkite naują nailoninę vielą taip, kad vienas galas būtų maždaug 80 mm (3-1/8") ilgesnis už kitą. Tada naują nailoninę vielą užkabinkite už įrąntos ritės viduryje.

Tvirtai suvyniokite abu galus ant ritės, vyniodami juos galvutės sukimosi kryptimi (kairiąją kryptį nurodo užrašas LH ritės šone).

► Pav.40: 1. Ritė

3. Suvyniokite beveik visą vielą, palikdami maždaug 100 mm (3 - 15/16") galus ir laikinai įkišdami juos į įrąntas abiejose ritės pusėse.

► Pav.41

4. Įdėkite ritę į korpusą taip, kad ritės grioveliai ir išsikišimai sutaptų su korpuso grioveliais ir išsikišimais. Ritės šonas su raidėmis turi būti viršuje. Dabar atkabinkite vielos galus, kurie buvo laikinai prikabinėti, ir prakiškite juos pro plyšelius, kad jie išlįstų iš korpuso.

► Pav.42: 1. Ritė 2. Korpusas 3. Plyšelis

5. Sutapdinkite išsikišimus gaubto apačioje su plyšeliais. Tuomet tvirtai užspauskite gaubtą ant korpuso, kad jis užsifiksuotų.

► Pav.43

Plastikinio peilio pakeitimas

Jeigu peilis nusidėvėjo arba sulūžo, pakeiskite jį.

► Pav.44

Montuojant plastikinį peilį, ant peilio esančios rodyklės kryptis turi sutapti su ant apsauginio gaubto esančios rodyklės kryptimi.

► Pav.45: 1. Rodyklė ant apsauginio gaubto
2. Rodyklė ant peilio

Kad gaminys būtų SAUGUS ir PATIKIMAS, jį taisyti, apžiūrėti ar vykdyti bet kokią kitą priežiūrą ar derinimą turi įgaliojotasis kompanijos „Makita“ techninės priežiūros centras; reikia naudoti tik kompanijos „Makita“ pagamintas atsargines dalis.

GEDIMŲ ŠALINIMAS

Prieš kreipdamiesi dėl remonto darbų, pirmiausia patikrinkite gedimus patys. Kilus problemų, apie kurias nepaaiškinta vartotojo vadove, nemėginkite ardyti įrankio. Kreipkitės į įgaliotuosius „Makita“ techninės priežiūros centrus, kuriuose remontui visuomet naudojamos originalios „Makita“ keičiamosios dalys.

Neįprasta būklė	Tikėtina priežastis (triktis)	Ištaisomoji priemonė
Neveikia variklis.	Neįdėta akumuliatoriaus kasetė.	Įdėkite akumuliatoriaus kasetę.
	Akumuliatoriaus problema (per maža įtampa)	Įkraukite akumuliatorių. Jei įkrauti nepavyksta, akumuliatorių pakeiskite.
	Netinkamai veikia pavaros sistema.	Dėl remonto kreipkitės į vietinį įgaliotąjį techninės priežiūros centrą.
Po trumpo naudojimo laikotarpio variklis nustoja veikęs.	Mažas akumuliatoriaus įkrovos lygis.	Įkraukite akumuliatorių. Jei įkrauti nepavyksta, akumuliatorių pakeiskite.
	Perkaitimas.	Nesinaudokite įrankiu ir leiskite jam atvėsti.
Jis nepasiekia didž. aps./min.	Akumuliatorius netinkamai įdėtas.	Akumuliatoriaus kasetę įdėkite, kaip aprašyta šioje naudojimo instrukcijoje.
	Mažėja akumuliatoriaus galia.	Įkraukite akumuliatorių. Jei įkrauti nepavyksta, akumuliatorių pakeiskite.
	Netinkamai veikia pavaros sistema.	Dėl remonto kreipkitės į vietinį įgaliotąjį techninės priežiūros centrą.
Pjovimo įrankis nesisuka: ⇒ nedelsdami sustabdykite įrenginį!	Tarp apsauginio gaubto ir nailoninės pjovimo galvutės įstrigo pašalinė medžiaga, pvz., šaka.	Pašalinkite pašalinę medžiagą.
	Netinkamai veikia pavaros sistema.	Dėl remonto kreipkitės į vietinį įgaliotąjį techninės priežiūros centrą.
Neįprasta vibracija: ⇒ nedelsdami sustabdykite įrenginį!	Sulūžo vienas nailoninės vielos galas.	Stuktelėkite besisukančią nailoninę pjovimo galvutę į žemę, kad viela būtų tikiama.
	Netinkamai veikia pavaros sistema.	Dėl remonto kreipkitės į vietinį įgaliotąjį techninės priežiūros centrą.
Pjovimo įrankis ir variklis nesustoja: ⇒ nedelsdami išimkite akumuliatorių!	Elektros ar elektronikos sistemos gedimas.	Išimkite akumuliatorių ir susisiekite su vietiniu įgaliotuoju techninės priežiūros centru dėl remonto.

PASIRENKAMI PRIEDAI

⚠️ ĮSPĖJIMAS: Nemontuokite ant šio įrankio metalinio peilio ir naudokite tik rekomenduojamus priedus arba šioje naudojimo instrukcijoje nurodytus papildomus įtaisus. Naudojant metalinį peilį arba bet kokius kitus priedus ar papildomus įtaisus, galima sunkiai susižaloti.

⚠️ PERSPĖJIMAS: Šiuos papildomus priedus arba įtaisus rekomenduojama naudoti su šioje instrukcijoje nurodytu „Makita“ bendrovės įrankiu. Naudojant bet kokius kitus papildomus priedus arba įtaisus, gali kilti pavojus sužeisti žmones. Naudokite tik nurodytam tikslui skirtus papildomus priedus arba įtaisus.

Jeigu norite daugiau sužinoti apie tuos priedus, kreipkitės į artimiausią „Makita“ techninės priežiūros centrą.

- Nailoninė pjovimo galvutė
- Nailoninė viela (pjovimo viela)
- Plastikinis peilis
- Originalus „Makita“ akumuliatorius ir įkroviklis

PASTABA: Kai kurie sąraše esantys priedai gali būti pateikti įrankio pakuotėje kaip standartiniai priedai. Jie įvairiose šalyse gali skirtis.

TEHNILISED ANDMED

Mudel:		DUR187U	DUR187L	DUR188U	DUR188L
Käepideme tüüp		Jalgratta juhtraud	Aaspide	Jalgratta juhtraud	Aaspide
Koormuseta kiirus		4 000/5 000/6 000 min ⁻¹			
Üldpikkus (ilma lõikeriistata)		1 791 mm			
Nailontamili läbimõõt		2,0–2,4 mm			
Kasutatav lõikeseade ja lõikeläbimõõt	Nailonist lõikepea (P/N 123932-5)	300 mm			
	Plastist lõiketera (P/N 123954-5)	255 mm			
Nimipinge		Alalisvool 18 V			
Netokaal (BL1830B kasutamisel)	nailonist lõikepeaga	3,8 kg	3,6 kg	4,1 kg	3,9 kg
	plastist lõiketeraga	3,9 kg	3,6 kg	4,1 kg	3,9 kg
Akukassett		BL1815N, BL1820, BL1820B, BL1830, BL1830B, BL1840, BL1840B, BL1850, BL1850B, BL1860B			

- Meie pideva uuringu- ja arendusprogrammi tõttu võidakse tehnilisi andmeid muuta ilma sellest ette teatamata.
- Tehnilised andmed ja akukassett võivad riigiti erineda.
- Kaal koos akukassetiga, EPTA-protseduuri 01/2003 kohaselt

Müra

Kohaldatav standard : 2000/14/EC

Mudel	Tüüp	Keskmine helirõhutase	Keskmine helivõimsustase	
		L _{PA} (dB(A))	L _{WA} (dB(A))	Kõikumine K (dB(A))
DUR187U	Nailonist lõikepea	74	84	6,0
	Plastist lõiketera	79	88	0,8
DUR187L	Nailonist lõikepea	74	84	6,0
	Plastist lõiketera	79	88	0,8
DUR188U	Nailonist lõikepea	74	84	6,0
	Plastist lõiketera	79	88	0,8
DUR188L	Nailonist lõikepea	74	84	6,0
	Plastist lõiketera	79	88	0,8

- Isegi kui loetletud helirõhutase on 80 dB (A) või väiksem, võib töötamisel tekkinud tase olla suurem kui 80 dB (A). Kasutage kõrvakaitsmeid.

Vibratsioon

Kohaldatav standard : EN50636-2-91

Mudel	Tüüp	Vasak käsi		Parem käsi	
		a _{h,w} (m/s ²)	Kõikumine K (m/s ²)	a _{h,w} (m/s ²)	Kõikumine K (m/s ²)
DUR187U	Nailonist lõikepea	≤ 2,5	1,5	≤ 2,5	1,5
	Plastist lõiketera	≤ 2,5	1,5	≤ 2,5	1,5
DUR187L	Nailonist lõikepea	≤ 2,5	1,5	≤ 2,5	1,5
	Plastist lõiketera	≤ 2,5	1,5	≤ 2,5	1,5
DUR188U	Nailonist lõikepea	≤ 2,5	1,5	≤ 2,5	1,5
	Plastist lõiketera	≤ 2,5	1,5	≤ 2,5	1,5

DUR188L	Nailonist lõikepea	≤ 2,5	1,5	≤ 2,5	1,5
	Plastist lõiketera	≤ 2,5	1,5	≤ 2,5	1,5

MÄRKUS: Deklareeritud vibratsiooniheite väärtus on mõõdetud kooskõlas standardse testimismeetodiga ning seda võib kasutada ühe seadme võrdlemiseks teisega.

MÄRKUS: Deklareeritud vibratsiooniheite väärtust võib kasutada ka mürataseme esmaseks hindamiseks.

⚠ HOIATUS: Vibratsioonitase võib elektritööriista tegelikkuses kasutamise ajal erineda deklareeritud väärtusest olenevalt tööriista kasutamise viisidest.


⚠ HOIATUS: Rakendage operaatori kaitsmiseks kindlasti piisavaid ohutusabinõusid, mis põhinevad hinnangulisel müratasemel tegelikus tööolukorras (võttes arvesse tööperioodi kõiki osasid, nagu näiteks korrad, kui seade lülitatakse välja ja seade töötab tühikäigul, lisaks tööajale).


Sümbolid

Alljärgnevalt kirjeldatakse seadmetel kasutatavaid tingimärke. Veenduge, et olete nende tähendusest aru saanud enne seadme kasutamist.


 Olge äärmiselt ettevaatlik ja tähelepanelik.


 Lugege juhendit.

 Ohtlik; pidage silmas õhkupaiskuvaid objekte.


 Seadme ja kõrvalseisjate vaheline vahekaugus peab olema vähemalt 15 m.

 Hoidke kõrvalised isikud eemal.

 Hoidke vähemalt 15 m vahekaugust.

 Kandke kiivrit, kaitseprille ja kõrvakaitsmeid.


 Kandke kaitsekindaid.

 Kandke tugevaid libisemiskindla tallaga jalatseid. Soovitatavalt kandke terasest ninakapiga kaitsejalatseid.

 Ärge jätke seadet niiskuse kätte.

 Tööriista suurim lubatud töökiirus.

 Ärge kasutage metalltera.

 Ainult Euroopa riigid
Ärge visake elektriseadmeid ja akusid ära koos majapidamisprügiga! Kooskõlas Euroopa Parlamendi ja nõukogu direktiividega elektri- ja elektroonikaseadmete jäätmete, patareide ja akude, patarei- ja akujäätmete kohta ning liikmesriikide seadustega tuleb kasutuskoõlbamatuks muutunud elektriseadmed ja akud koguda eraldi ning keskkonناسäästlikult ringlusse võtta.

EÜ vastavusdeklaratsioon

Ainult Euroopa riikide puhul

EÜ vastavusdeklaratsioon sisaldub käesoleva juhendi Lisas A.

OHUTUSHOIATUSED

TÄHTSAD OHUTUSJUHISED

⚠ HOIATUS: Lugege läbi kõik ohutushoiatused ja juhtnõidid. Hoiatuste ja juhtnõitude mittejärgmine võib põhjustada elektrišokki, tulekahju ja/või tõsisid vigastusi.

Hoidke edaspidisteks viideteks alles kõik hoiatused ja juhtnõidid.

1. Õppige põhjalikult tundma seadme juhtimis-seadiseid ja varustuse õiget kasutamist.
2. Lõikeseade jätkab pöörlemist ka pärast mootori väljalülitamist.
3. Mitte mingil juhul ärge lubage masinat kasutada lastel ega isikutel, kes pole tutvunud kasutusjuhendiga.
4. Lõpetage masina kasutamine, kui läheduses viibivad inimesed (eriti lapsed) või lemmikloomad.
5. Kasutage masinat ainult päevalvalguses või korralikus kunstvalguses.
6. Enne masina kasutamist ja pärast iga lööki kontrollige, kas on kulumise või kahjustuste märke ning vajaduse korral parandage need.
7. Hoiduge vigastustest, mis võivad tekkida lõikejõhvi pikkuse reguleerimise seadmest. Pärast lõikejõhvi pikendamist pöörake masin alati enne sisselülitamist tagasi tavalise töoasendisse.
8. Ärge kunagi paigaldage metallist lõikeelemente.
9. Seda seadet ei ole tohi kasutada isikud (sh lapsed), kelle füüsilised, sensoorsed või vaimsed võimed on piiratud või kelle puuduvad piisavad kogemused või teadmised seadme kasutamise kohta, v.a juhul, kui nende ohutuse eest vastutav isik neid juhendab või jälgib. Lapsed ei tohi seadmega mängida.
10. Tööriista kasutamisel tuleb olla ülimalt ettevaatlik ja tähelepanelik.

11. Tööriista kasutavad inimesed peavad olema heas füüsilises vormis. Töötage rahulikult ja ettevaatlikult. Lähutage kainest mõistusest ja pidage meeles, et omanik või kasutaja vastutab teistele isikutele põhjustatud vigastuste või nende varale tekitatud kahjustuste eest.
12. Ärge kasutage tööriista, kui olete väsinud, haige või alkoholi või ravimite mõju all.
13. Tööriist tuleb kohe välja lülitada, kui käitamisel tekivad ebatavalised ilmingud.

Seadme ettenähtud kasutusotstarve

1. Kasutage õiget tööriista. Akuga murutrimmer on mõeldud ainult rohu ja kerge umbrohu lõikamiseks. Seda ei tohiks kasutada mitte mingil muul eesmärgil (nt heki pügamine), sest see võib põhjustada vigastusi.

Isikukaitsevahendid

► Joon.1

► Joon.2

1. Riietuge sobivalt. Kantav riietus peab vastama töö iseloomule ja olema sobilik, s.t see peaks järgima kehajooni, kuid ei tohiks takistada töötamist. Ärge kandke ehteid ega riietust, mis võib kõrgesse rohtu takerduda. Kinnitage pikad juuksed ja kandke kaitstavaid peakatteid.
2. Kandke tööriistaga töötamisel alati tugevaid libisemiskindla tallaga jalatseid. See kaitseb kehavigastuste eest ning tagab kindla jalgealuse.
3. Kandke kaitseprille.

Elektriõhutus ja aku ohutu talitlus

1. Vältige õhtlikke piirkondi. Ärge kasutage seadet niisketes või märgades kohtades ega jätke seda vihma kätte. Seadmesse sisse sattunud vesi suurendab elektrilöögiõhtu.
2. Kasutage laadimise jaoks ainult tootja heaks kiidetud laadijat. Üht tüüpi akuga kasutamiseks sobiv laadija võib mõnda teist tüüpi akuga kasutamisel tuua kaasa süttimisohu.
3. Kasutage elektritööriistu üksnes spetsiaalselt neile toodetud akudega. Muude akude kasutamine võib tekitada tervisekahjustusi või tulekahju.
4. Kui akut ei kasutata, ärge hoidke seda koos muude metallesemetega, nagu kirjakraamid, müüdid, võtmed, naelad, kruvid jms väiksed metallesemad, mis võivad tekitada klemmide vahel ühenduse. Akuklemmide lühis võib põhjustada põletusi ja tulekahju.
5. Väärkasutamise tagajärjel võib akust valguda välja vedelikku; ärge seda puudutage. Kui olete selle vedelikuga siiski kogemata kokku puutunud, uhtke kohta veega. Kui vedelik satub silma, pöörduge arsti poole. Akust väljavalgunud vedelik võib põhjustada ärritust ja põletusi.
6. Ärge visake kasutatud akut (akusid) tulle. Element võib plahvatada. Kasutatud akude käitlemise võimalikud erinõuded leiate vastavasisulistest kohalikest eeskirjadest.
7. Akut (akusid) ei tohi avada ega vigastada. Väljavalgunud elektroliit on söövitava toimega ning võib kahjustada silmi ja nahka. See võib osutada allaneelamisel mürgiseks.

Tööriista käivitamine

► Joon.3

1. Jälgige, et 15-meetrises tööpiirkonnas ei oleks lapsi ega teisi isikuid, jälgige ka tööpiirkonna lähedal olevaid loomi. Muul juhul lõpetage tööriista kasutamine.
2. Enne kasutamist kontrollige alati, kas tööriist on töökorras. Kontrollige lõikeriista ja kaitsme ohutust ning lüliti/hoova sujuvat ja korralikku toimimist. Kontrollige, kas käepidemed on puhtad ja kuivad ning kas lüliti (käivitamine/seiskamine) toimib.
3. Kontrollige enne tööriista kasutamist, ega selle osad ei oleks kahjustatud. Kahjustatud kaitset või muud osa tuleb hoolikalt kontrollida, kas see töötab korrektselt ja täidab ettenähtud funktsiooni. Kontrollige liikuvate osade tsentreeringut, liikuvate osade kokkujooksu, purunenud osi, osade paigaldust ja muid tingimusi, mis võivad mõjutada tööriista tööd. Kahjustatud kaitse või muu seadme osa tuleb nõuetekohaselt parandada või vahetada välja volitatud teeninduskeskuses, kui juhendis ei ole soovitatud teisiti.
4. Lülitage mootor sisse ainult siis, kui käed ja jalad on lõikeriistast eemal.
5. Enne käivitamist veenduge, et lõikeriist ei puutuks vastu tugevast materjalist esemeid (näiteks oksad, kivid jne), sest lõikeriist hakkab käivitamisel pöörlema.

Töömeetod

1. Ärge kasutage kunagi masinat, mille kaitsekate on kahjustatud või millel pole kaitsekateid.
2. Kasutage tööriista ainult hea valgustuse ja nähtavuse korral. Olge eriti tähelepanelik talvel, kui on libe, märg, jääne ja lumine (libisemisoht). Tagage kogu töötamise vältel kindel asend.
3. Olge tähelepanelik, et te ei vigastaks lõikeriistaga oma jalgu ja käsi.
4. Hoidke käed ja jalad alati lõikeseadmest eemal, eriti mootori sisselülitamisel.
5. Ärge lõigake kunagi oma vöökohast kõrgemalt.
6. Ärge kasutage töötavat tööriista redelil seistes.
7. Ärge töötage kunagi ebakindlal alusel seistes.
8. Ärge küünitage ette. Hoidke kogu aeg jalad kindlalt maas ja hoidke tasakaalu.
9. Eemaldage tööpiirkonnast liiv, kivid, naelad jms. Võõrosakesed võivad kahjustada lõikeriista, paiskuda sellelt kasutaja poole ja tekitada tõsiseid vigastusi.
10. Kui lõikeriist peaks tabama kive või muid kõvasid esemeid, lülitage mootor kohe välja ja kontrollige lõikeriista.
11. Lõikeriist peab enne lõikamise alustamist olema saavutanud täiskiiruse.
12. Kasutamise ajal hoidke tööriista alati kahe käega. Tööriistaga töötamisel ärge hoidke seda ainult ühe käega. Tagage kogu töötamise vältel kindel asend.

- Kõik tööriistaga kaasasolevad kaitseesadised, nt kaitsekatted, peavad töötamise ajal olema paigaldatud.
- Välja arvatud hädaolukorras, ärge laske kunagi tööriistal kukkuda ega visake tööriista maha, sest sel juhul võite tööriista tõsiselt kahjustada.
- Liikumisel ühest kohast teise ärge lohistage tööriist mööda maad, kuna nii võite tööriista kahjustada.
- Eraldage tööriistast alati aku:
 - kui jätate tööriista valveta;
 - enne takistuse või ummistuse kõrvaldamist;
 - enne kontrollimist, puhastamist või tööriista parandamist;
 - enne kui kohandate tööriista, vahetate tarvikuid või viite hoiupaika;
 - kui tööriist hakkab ebatavaliselt vibreerima;
 - tööriista transportimise ajal.
- Ärge kasutage tööriista suhtes jõudu. Seadmele ettenähtud töökiirusel toimib seade paremini ja vigastuste tõenäosus on väiksem.
- Ärge kasutage elektritööriistu plahvatusohtlikus keskkonnas, nt tuleohtlike vedelike, gaaside või tolmu läheduses. Elektritööriistad tekitavad sädemeid, mis võivad süüdata tolmu või auru.
- Tehke väsimusest tingitud kontrollikaotuse vältimiseks puhkepause. Soovitage puhata igas tunnis 10–20 minutit.

Hooldusjuhend

- Enne töö alustamist tuleb kontrollida lõiketera, kaitseesadmete ja rakmete olukorda.
- Lülitage mootor välja ja eemaldage akukasetti enne hooldustööde tegemist, lõikeriistade vahetamist või tööriista puhastamist.
- Pärast kasutamist lahutage seadmelt tööriista aku.
- Kontrollige kinnitusvahendite pingsust ja seadme osasid (nt lõiketera) kahjustuste suhtes.
- Kui tööriist pole kasutusel, hoidke seda kuivas lukustatud ruumis või lastele kättesaamatus kohas.
- Kasutage ainult tootja soovitatud varuosi ja tarvikuid.
- Kandke hoolt selle eest, et ventilatsiooniavad oleksid alati prahist puhtad.
- Kontrollige ja hooldage tööriista regulaarselt, eriti enne ja pärast kasutamist. Laske tööriista parandada ainult volitatud teeninduskeskusel.
- Hoidke käed kuivad, puhtad ning õli- ja rasvavabad.

HOIDKE JUHEND ALLES.

⚠️HOIATUS: ÄRGE UNUSTAGE järgida toote ohutusnõudeid mugavuse või toote (korduskasutamise) saavutamise hea tundmise tõttu. VALE KASUTUS või kasutusjuhendi ohutuseeskirjade eiramine võib põhjustada tervisekahjustusi.

Akukasettiga seotud olulised ohutusjuhised

- Enne akukasetti kasutamist lugege (1) akulaadimise, (2) aku ja (3) seadmel olevad juhtnöörid ja hoiatused läbi.
- Ärge võtke akukasetti lahti.
- Kui tööaeg järsult lüheneb, siis lõpetage kohe kasutamine. Edasise kasutamise tulemuseks võib olla ülekuumenemiseoht, võimalikud põletused või isegi plahvatus.
- Kui elektrilüüti satub silma, siis loputage silma puhta veega ja pöörduge koheselt arsti poole. Selline õnnetus võib põhjustada pimedaksjäämist.
- Ärge tekitage akukasettis lühist:
 - Ärge puutuge klemme elektrijuhtidega.
 - Ärge hoidke akukasetti tööriistakastis koos metalliesemetega, nagu naelad, mündid jne.
 - Ärge tehke akukasetti märjaks ega jätke seda vihma kätte.
 Aku lühis võib põhjustada tugevat elektrivoolu, ülekuumenemist, põletusi ning ka seadme tõsiselt kahjustada.
- Ärge hoidke tööriista ja akukasetti kohtades, kus temperatuur võib tõusta üle 50 °C.
- Ärge põletage akukasetti isegi siis, kui see on saanud tõsiselt vigastada või on täiesti kulumine. Akukasett võib tules plahvatada.
- Olige ettevaatlik, ärge laske akul maha kukkuda ja vältige lööke.
- Ärge kasutage kahjustatud akut.
- Sisalduvatele liitium-ioonakudele võivad kohalduda ohtlike kaupade õigusaktide nõuded. Kaubanduslikul transportimisel, näiteks kolmandate poolte või transpordiettevõtete poolt, tuleb järgida pakendil ja siltidel toodud erinõudeid. Transportimiseks ettevalmistamisel on vajalik pidada nõu ohtliku materjali ekspordiga. Samuti tuleb järgida võimalike riiklike regulatsioonide üksikasjalikumaid nõudeid. Katke teibiga või varjake avatud kontaktid ja pakendage aku sellisel, et see ei saaks pakendis liikuda.
- Järgige kasutuskõlmatuks muutunud aku käitlemisel kohalikke eeskirju.

HOIDKE JUHEND ALLES.

⚠️ETTEVAATUST: Kasutage ainult Makita originaalakusid. Mitte Makita originaalakude või muudetud akude kasutamine võib põhjustada akude süttimise, kehavigastuse ja kahjustuse. Samuti muudab see kehtetuks Makita tööriista ja laadija Makita garantii.

Vihjeid aku maksimaalse kasutaja tagamise kohta

- Laadige akukasetti enne selle täielikku tühjenemist. Kui märkate, et tööriist töötab väiksema võimsusega, peatage töö ja laadige akukasetti.
- Ärge laadige täielikult laetud akukasetti. Ülelaadimine lühendab akude kasutusiga.
- Laadige akukasetti toatemperatuuril 10 °C - 40 °C. Enne laadimist laske kuumenenud akukasetti maha jahtuda.
- Kui te ei kasuta akukasetti kauem kui kuus kuud, laadige see.

OSADE KIRJELDUS

► Joon.4

1	Akukassett	2	Lahtilukustuse hoob	3	Lüliti päästik	4	Riputi
5	Juhtraud	6	Kaitse (lõikeriista kaitse)	7	Traatpiire	8	Lukustushoob (ainult DUR188U ja DUR188L)
9	Ühenduse kate (ainult DUR188U ja DUR188L)	10	Kork (ainult DUR188U ja DUR188L)	11	Kiirusnäidik	12	Automaatse kiiruse juhtimise näidik
13	Toitelamp	14	Toitenupp	15	Suunamuutmisnupp	16	Kandevöö

*Kaitse kuju on riigiti erinev.

FUNKTSIONAALNE KIRJELDUS

▲ HOIATUS: Kandke alati hoolt selle eest, et tööriist oleks enne reguleerimist ja kontrollimist välja lülitatud ja akukassett eemaldatud. Kui jätta tööriist välja lülitamata ja akukassett eemaldamata, võib tööriista juhuslik käivitamine põhjustada raske kehavigastuse.

Akukasseti paigaldamine või eemaldamine

▲ ETTEVAATUST: Lülitage tööriist alati enne akukasseti paigaldamist või eemaldamist välja.

▲ ETTEVAATUST: Akukasseti paigaldamisel või eemaldamisel tuleb tööriista ja akukasseti kindlalt paigal hoida. Kui tööriista ja akukasseti ei hoita kindlalt paigal, võivad need käest libiseda ning kahjustada tööriista ja akukassetti või põhjustada kehavigastusi.

► Joon.5: 1. Punane näidik 2. Nupp 3. Akukassett

Akukasseti eemaldamiseks libistage see tööriista küljest lahti, vajutades kasseti esiküljel paiknevat nuppu alla.

Akukasseti paigaldamiseks joondage akukasseti keel korpuse soonega ja libistage kassett oma kohale. Paigaldage akuadapter alati nii kaugele, et see lukustuks klõpsatusega oma kohale. Kui näete nupu ülaosas punast osa, pole kassett täielikult lukustunud.

▲ ETTEVAATUST: Paigaldage akukassett alati täies ulatuses nii, et punast osa ei jääks näha. Muidu võib adapter juhuslikult tööriistast välja kukkuda ning põhjustada teile või läheduses viibivatele isikutele vigastusi.

▲ ETTEVAATUST: Ärge rakendage akukasseti paigaldamisel jõudu. Kui kassett ei lähe kergesti sisse, pole see õigesti paigaldatud.

Tööriista/aku kaitsesüsteem

Tööriist on varustatud tööriista või aku kaitsesüsteemiga. Süsteem lülitab mootori automaatselt välja, et pikendada tööriista ja aku tööiga. Tööriist seiskub käitamise ajal automaatselt, kui tööriista või aku kohta kehtib üks järgmistest tingimustest.

Olek	Märgulambid		
	<input type="checkbox"/> Põleb	<input type="checkbox"/> Ei põle	<input type="checkbox"/> Vilgub
Ülekoormus			
Ülekuumenemine			
Ületühjenemine			

Ülekoormuskaitse

Kui tööriist on takerdunud umbrohu või muu prahi tõttu üle koormatud, hakkavad ja keskmine näidik vilkuma ning tööriist seiskub automaatselt.

Sellisel juhul lülitage tööriist välja ja lõpetage tööriista ülekoormuse põhjustanud tegevus. Pärast seda käivitage tööriist uuesti.

Tööriista/aku ülekuumenemiskaitse

Ülekuumenemist on kahte tüüpi: tööriista ülekuumenemine ja aku ülekuumenemine. Tööriista ülekuumenemisel hakkavad kõik kiirusnäidikud vilkuma. Aku ülekuumenemise korral vilgub näidik .

Ülekuumenemise korral seiskub tööriist automaatselt. Laske tööriistal ja/või akul maha jahtuda, enne kui selle uuesti sisse lülitate.

Ülelaadimiskaitse

Kui aku laetuse tase on madal, seiskub tööriist automaatselt ja näidik hakkab vilkuma.



















Kui tööriist ei hakka tööle isegi lülite kasutamisel, eemaldage tööriistast akud ja laadige neid.

Aku jääkmahutavuse näit

Ainult näidikuga akukassetidele

► **Joon.6:** 1. Märgulambid 2. Kontrollimise nupp

Akukasseti järelejäänud mahutavuse kontrollimiseks vajutage kontrollimise nuppu. Märgulambid süttivad mõneks sekundiks.

Märgulambid			Jääkmahutavus
			
			75 - 100%
			50 - 75%
			25 - 50%
			0 - 25%
			Laadige akut.
			Akul võib olla tõrge.
			

MÄRKUS: Näidatud mahutavus võib veidi erineda tegelikust mahutavusest olenevalt kasutustingimustest ja ümbritseva keskkonna temperatuurist.

Toitelüliti talitlus

⚠ HOIATUS: Kontrollige alati enne akukasseti tööriista külge paigaldamist, kas lüliti päästik funktsioneerib nõuetekohaselt ja liigub lahtilaskmisel tagasi väljalülitatud asendisse. Tööriista juhtimine lüliti abil, mis ei toimi korralikult, võib kaasa tuua kontrolli kaotamise sae üle ja põhjustada tõsiseid vigastusi.

⚠ ETTEVAATUST: Ärge asetage kandmise ajal oma sõrme lülile. Tööriist võib tahtmatult käivituda ja põhjustada vigastuse.

Tööriista sisselülitamiseks vajutage mõneks sekundiks toitenuppu.

Tööriista väljalülitamiseks vajutage uuesti mõneks sekundiks toitenuppu.

► **Joon.7:** 1. Toitenupp

Lüliti päästiku juhusliku tõmbamise vältimiseks on tööriistal lahtilukustuse hoob.

Tööriista käivitamiseks haarake juhtrauast (haaramine vabastab lahtilukustuse hoova) ja vajutage seejärel päästiklülilit. Tööriista seiskamiseks vabastage päästiklülilit.

DUR187U ja DUR188U

► **Joon.8:** 1. Lahtilukustuse hoob 2. Lüliti päästik

DUR187L ja DUR188L

► **Joon.9:** 1. Lahtilukustuse hoob 2. Lüliti päästik





MÄRKUS: Tööriist lülitub automaatselt välja, kui sellega pole ühe minuti jooksul tehtud ühtegi toimingut.

Kiiruse reguleerimine

Tööriista kiiruse reguleerimiseks tuleb puudutada kergelt toitenuppu.

Iga kord, kui peatoitenuppu koputada, muutub kiiruse tase.

► **Joon.10:** 1. Toitenupp

Näidik	Režiim	Pöörlemiskiirus
	Automaatne	4 000–6 000 min ⁻¹
	Kiire	6 000 min ⁻¹
	Keskmine	5 000 min ⁻¹
	Aeglane	4 000 min ⁻¹

Suunamuutmisnupp prahi eemaldamiseks

⚠ HOIATUS: Lülitage tööriist välja ja eemaldage akukassett enne, kui hakkate eemaldama tööriista külge takerdunud umbrohtu või muud prahti, mida tagurpidi pöörlemise funktsioon ei suuda eemaldada. Kui jätta tööriist välja lülitamata ja akukassett eemaldamata, võib tööriista juhuslik käivitamine põhjustada raske kehavigastuse.

Sellel tööriistal on suunamuutmisnupp, millega saab muuta pöörlemise suunda. See on ette nähtud ainult tööriista külge takerdunud umbrohtude ja prahi eemaldamiseks.

Pöörlemissuuna muutmiseks puudutage kergelt suunamuutmisnuppu ja vajutage päästikut ajal, kui tööriista löikepea on seiskunud. Lüliti päästiku vajutamise ajal hakkab toitelamp vilkuma ja tööriista löikepea pöörleb vastupidises suunas.

Tavalise pöörlemise taastamiseks vabastage päästik ja oodake, kuni tööriista löikepea on seiskunud.

► **Joon.11:** 1. Suunamuutmisnupp

MÄRKUS: Tööriist töötab vastupidises suunas ainult lühikest aega ja lülitub seejärel automaatselt välja.

MÄRKUS: Kui käivitata tööriista pärast seiskumist uuesti, hakkab see pöörlema tavalises suunas.

MÄRKUS: Kui vajutate suunamuutmisnuppu ajal, kui tööriista löikepea veel pöörleb, seiskub tööriist ja on seejärel valmis pöörlemiseks vastupidises suunas.

Nailonist lõikepea

Valikuline tarvik

TÄHELEPANU: Kui lõikepea ei pöörle, ei tööta tõuke- ja etteandmismehhanism korralikult.

► **Joon.12:** 1. Kõige efektiivsem lõikepiirkond

Nailonist lõikepea on kahe jõhviga trimmeripea, millel on tõuke- ja etteandmismehhanism. Nailonijõhvi etteandmiseks koputage lõikepead vastu maad, lastes sellel samal ajal pöörelda.

MÄRKUS: Kui nailonijõhvi ei õnnestu koputamiseks välja kerida, siis kerige nailonijõhvi tagasi/asendage nailonijõhvi nii, nagu on kirjeldatud peatükis „Hooldus“.

KOKKUPANEK

⚠HOIATUS: Kandke alati hoolt selle eest, et tööriist oleks enne selle reguleerimist välja lülitatud ning akukassett eemaldatud. Kui jätta tööriist välja lülitamata ja akukassett eemaldamata, võib tööriista juhuslik käivitamine põhjustada raske kehavigastuse.

⚠HOIATUS: Ärge käivitage kunagi tööriista, kui see pole täielikult monteeritud. Osaliselt monteeritud tööriista juhuslik käivitamine võib põhjustada tõsisid kehavigastusi.

Juhtraua paigaldamine

Ainult mudelitele DUR187U ja DUR188U

1. Paigaldage juhtraua vars käepidemesse. Seadke käepidemes olev kruvi auk kohakuti varres oleva kruvi auguga. Keerake kruvi tugevasti kinni.

► **Joon.13:** 1. Käepide 2. Kruvi 3. Juhtraud

2. Asetage juhtraud juhtraua klambri ja hoidiku vahele. Reguleerige juhtraud sellise nurga alla, mis tagab mugava tööasendi, ja kinnitage seejärel kuuskant-pesapeapoltidega.

► **Joon.14:** 1. Kuuskant-pesapeapolt 2. Juhtraua klamber

Liiteturu monteerimine

Ainult mudelitele DUR188U ja DUR188L

Kinnitage liiteturu mootorseadmele.

1. Pöörake hooba joonisel noolega näidatud suunas.

► **Joon.15:** 1. Hoob

2. Tõmmake ühenduse kate üles ja sisestage liiteturu, viies samal ajal omavahel kohakuti toru (lõikeriista poolne külj) endi ja ühenduse nõgusa osa.

► **Joon.16:** 1. Lukustushoob 2. Ühenduse kate 3. Toru

Veenduge, et lukustushoova pind oleks toru suhtes paralleelne.

3. Pöörake hooba joonisel noolega näidatud suunas.

► **Joon.17:** 1. Hoob

Toru eemaldamiseks pöörake hooba joonisel noolega näidatud suunas ja tõmmake toru välja, vajutades samal lukustushooba alla.

► **Joon.18:** 1. Hoob 2. Lukustushoob 3. Toru

Kaitsekate paigaldamine

⚠HOIATUS: Ärge kunagi kasutage tööriista, kui selle kaitsekate pole joonisel näidatud kohas. Selle nõude eiramine võib põhjustada raske kehavigastuse.

⚠ETTEVAATUST: Olge ettevaatlik, et te ei vigastaks end nailonijõhvi lõikamise teraga.

MÄRKUS: Kaitse kuju on riigiti erinev.

1. Joondage kaitsekate väljaulatuvad osad mootori kere soontega.

► **Joon.19:** 1. Kaitsekate 2. Soon 3. Väljaulatuv osa

2. Joondage kaitsekate hoidiku väljaulatuvad osad mootori kere vastas asuvate osadega.

► **Joon.20:** 1. Kaitsekate hoidik 2. Väljaulatuv osa

3. Pingutage kuuskant-pe sapeapoldid, et kinnitada kaitsekate ja kaitsekate hoidik.

► **Joon.21:** 1. Kuuskant-pesapeapolt 2. Kuuskantvõti

Traatpiirde paigaldamine

⚠ETTEVAATUST: Enne traatpiirde reguleerimist oodake, kuni lõikepea on seisma jäänud. Ärge reguleerige traatpiiret jalaga.

► **Joon.22**

Lõikepea ees olevate objektide kahjustamise ohu vähendamiseks sisestage traatpiire selliselt, et see määraks niitmisjõhvi lõikeulatuse.

Painutage traatpiiret natuke lahti ning seejärel sisestage see kaitsekate avadesse.

► **Joon.23:** 1. Traatpiire

MÄRKUS: Ärge painutage traatpiiret liiga laiali, sest see võib murduda.

Kui te traatpiiret ei kasuta, tõstke see püstiasendis.

► **Joon.24**

Nailonist lõikepea paigaldamine

Valikuline tarvik

⚠ETTEVAATUST: Kui nailonist lõikepea pörkab töötamise ajal vastu kivi või muud kõva eset, siis seisake tööriist ja kontrollige võimalike vigastuste suhtes. Kui nailonist lõikepea on kahjustunud, siis vahetage see kohe välja. Kahjustunud lõikeriista kasutamine võib põhjustada raskeid kehavigastusi.

⚠ETTEVAATUST: Pärast paigaldamist eemaldage kindlasti kuuskantvõti.

TÄHELEPANU: Kasutage kindlasti originaalset Makita nailonist lõikepead.

► **Joon.25:** 1. Nailonist lõikepea 2. Metallkaitse 3. Spindel 4. Kuuskantvõti

1. Keerake tööriist tagurpidi, et saaksite lõikeriista lihtsamalt vahetada.
2. Sisestage kuuskantvõti läbi mootori keres oleva augu ja keerake võlli, kuni võll on lukustunud.
3. Paigaldage nailonist lõikepea otse keermestatud spindlile ja keerake see vastupäeva kinni.
4. Eemaldage kuuskantvõti.

Nailonist lõikepea eemaldamiseks keerake seda päripäeva, hoides vaheseibi samal ajal kuuskantvõtmega kinni.

Plastist lõiketera paigaldamine

Valikuline tarvik

⚠ETTEVAATUST: Kui plastist lõiketera pörkab tõotamise ajal vastu kivi või muud kõva eset, siis seisake tööriist ja kontrollige seda võimalike vigastuste suhtes. Kui plastist lõiketera on kahjustunud, tuleb see kohe välja vahetada. Kahjustunud lõikeriista kasutamine võib põhjustada raskeid kehavigastusi.

⚠ETTEVAATUST: Pärast paigaldamist eemaldage kindlasti kuuskantvõti.

TÄHELEPANU: Kasutage kindlasti originaalset Makita plastist lõiketera.

- **Joon.26:** 1. Plastist lõiketera 2. Metallkaitse
3. Kuuskantvõti

1. Keerake tööriist tagurpidi, et saaksite lõikeriista lihtsamalt vahetada.
2. Sisestage kuuskantvõti läbi mootori keres oleva augu ja keerake võlli, kuni võll on lukustunud.
3. Paigaldage plastist lõiketera otse keermestatud võllile ja keerake see vastupäeva kinni.
4. Eemaldage kuuskantvõti.

Plastist lõiketera eemaldamiseks keerake seda päripäeva, hoides vaheseibi samal ajal kuuskantvõtmega kinni.

Juhtraua/riputi asendi reguleerimine

Reguleerige juhtraua ja riputi asendit tööriista mugava kasutusasendi saavutamiseks.

Modelitele DUR187U ja DUR188U

Lõdvendage juhtraua hoidiku all asuvaid kuuskant-pesapeapolte. Viige juhtraud mugavasse tööasendisse ja pingutage uuesti poldid.

- **Joon.27:** 1. Juhtraua hoidik 2. Kuuskant-pesapeapolt 3. Juhtraud

Lõdvendage riputil asuvad kuuskant-pesapeapoldid. Viige riputi mugavasse tööasendisse ja pingutage uuesti poldid.

- **Joon.28:** 1. Kuuskant-pesapeapolt 2. Riputi

Modelitele DUR187L ja DUR188L

Lõdvendage juhtraual asuvad kuuskant-pesapeapoldid. Viige juhtraud mugavasse tööasendisse ja pingutage uuesti poldid.

- **Joon.29:** 1. Kuuskant-pesapeapolt 2. Juhtraud

Lõdvendage riputil asuv kuuskant-pesapeapolt. Viige riputi mugavasse tööasendisse ja pingutage uuesti polti.

- **Joon.30:** 1. Kuuskant-pesapeapolt 2. Riputi

Kuuskantvõtme hoiepanek

⚠ETTEVAATUST: Ärge unustage pesapeavõtit tööriista pea sisse. See võib põhjustada vigastuse ja/või kahjustada tööriista.

Kui kuuskantvõtit ei kasutata, pange see kaotamise vältimiseks joonisel näidatud viisil hoiele.

- **Joon.31:** 1. Kuuskantvõti

Ainult mudelitele DUR187L ja DUR188L

- **Joon.32:** 1. Juhtraud 2. Kuuskantvõti

TÖÖRIISTA KASUTAMINE

Tööriista õige käsitlemine

⚠HOIATUS: Hoidke tööriista alati oma parempoolsel küljel. Tööriista õige asend võimaldab seda maksimaalselt kontrollida ja vähendab tagasilöögi korral raske kehalise vigastuse ohtu.

⚠HOIATUS: Olge äärmiselt ettevaatlik ja tagage tööriista üle alati kontroll. Ärge laske tööriistal kalduda enda ega kolleegi teise läheduses viibiva isiku poole. Kontrolli kaotamine tööriista üle võib põhjustada kõrvalseisjale ja operaatorile tõsise kehavigastuse.

⚠HOIATUS: Õnnetuste vältimiseks jätke operaatorite vahele vähemalt 15 m (50 jalad) vaba ruumi, kui samas piirkonnas töötavad korraga kaks või mitu operaatorit. Samuti laske ühel isikul jälgida kõrvalt operaatorite vahelisest kaugusest kinnipidamist. Kui keegi või mõni loom siseneb tööpiirkonda, lõpetage kohe töötamine.

DUR187U ja DUR188U

- **Joon.33**

DUR187L ja DUR188L

- **Joon.34**

Kandevöö kinnitamine

⚠ETTEVAATUST: Kasutage alati kinnitatud kandevööd. Väsimuse vältimiseks reguleerige kandevööd enne töötamise algust.

Ühendage õlarakmete haak riputisse ja pange õlarakmed selga. Veenduge, et õlarakmed hoiaksid kindlalt tööriista.

DUR187U ja DUR188U

- **Joon.35:** 1. Haak 2. Riputi

DUR187L ja DUR188L

- **Joon.36:** 1. Haak 2. Riputi

Lahutamine

Õlarakmed on varustatud kiirvabastusmehhanismiga.

DUR187U ja DUR188U

► **Joon.37:** 1. Riba

Tõmmake ribast, et vabastada tööriist õlarakmetest.

DUR187L ja DUR188L

► **Joon.38:** 1. Pannal

Tööriista õlarakmetest vabastamiseks vajutage lihtsalt pandla külgedele.

HOOLDUS

⚠HOIATUS: Kandke alati hoolt selle eest, et tööriist oleks enne selle kontrollimist või hooldust välja lülitatud ja akukassett eemaldatud. Kui jätta tööriist välja lülitamata ja akukassett eemaldamata, võib tööriista juhuslik käivitamine põhjustada raske kehavigastuse.

TÄHELEPANU: Ärge kunagi kasutage bensiini, vedeldit, alkoholi ega midagi muud sarnast. Selle tulemuseks võib olla luitumine, deformatsioon või pragunemine.

Nailonjõhvi asendamine

⚠HOIATUS: Kasutage ainult nailonjõhvi, mille läbimõõt vastab **TEHNILISTES ANDMETES** toodud läbimõõdule. Ärge kunagi kasutage metallist traati, trossi ega midagi muud sarnast. Kasutage ainult soovitatud nailonjõhvi, sest muidu võib tööriist kahjustuda ning põhjustada raske kehavigastuse.

⚠HOIATUS: Veenduge, et nailonist löikepea kate oleks kere külge õigesti kinnitatud, nagu on allpool kirjeldatud. Nõuetekohaselt kinnitamata kate võib põhjustada nailonist löikepea vallandumise seadme küljest ja eemalepaiskumise, mille tagajärjeks võib olla tõsine kehavigastus.

1. Vajutage korpuse klambrid sissepoole, et tõsta kate ja eemaldage seejärel pool.

► **Joon.39:** 1. Lukusti 2. Kate

2. Valmistage ette ligikaudu 3 m (9 jalad) uut nailontamiili. Voltige uus nailontamiil selliselt, et üks ots oleks teisest umbes 80 mm (3-1/8") pikem. Seejärel haakige uus nailontamiil pooli keskel asuva saki taha.

Kerige mõlemad otsad pea pöörlemise suunas (pooli küljel LH-ga märgistatud vasakpoolne suund) tugevalt ümber pooli.

► **Joon.40:** 1. Pool

3. Kerige poolile kogu tamiil, välja arvatud 100 mm (3 - 15/16") pikkune tamiiliots, mis tuleb kinnitada ajutiselt pooli küljel oleva sägu taha.

► **Joon.41**

4. Paigaldage pool korpusesse nii, et pooli sooned ja servad sobituksid korpuse vastavate osadega. Seadke pool nii, et tähtedega tähistatud osa oleks pealtpoolt nähtav. Nüüd vabastage tamiili otsad ajutisest asendist ja suunake läbi avade korpusest välja.

► **Joon.42:** 1. Pool 2. Korpus 3. Ava

5. Joondage kate all asuv eend avade piludega. Kinnitamiseks suruge kate kindlalt kerele.

► **Joon.43**

Plastist löikepera vahetamine

Vahetage löikepera, kui see on kulunud või purunenud.

► **Joon.44**

Plastist löikepera paigaldamisel joondage noole suund löikeperal kaitsega.

► **Joon.45:** 1. Kaitsemel olev nool 2. Löikeperal olev nool

Toote OHUTUSE ja TÖÖKINDLUSE tagamiseks tuleb vajalikud remonttööd ning muud hooldus- ja reguleerimistööd lasta teha Makita volitatud teeninduskeskustes või tehase teeninduskeskustes. Alati tuleb kasutada Makita varuosi.

VEAOTSING

Enne remonditöökotta pöördumist kontrollige niidukit ise. Ärge üritage niidukit lahti võtta, kui leiate probleemi, mida kasutusjuhendis ei kirjeldata. Selle asemel pöörduge Makita volitatud teeninduskeskusesse, kus kasutatakse remontimisel alati Makita tagavaraosi.

Tõrge	Võimalik põhjus (riike)	Lahendus
Mootor ei tööta.	Akukassett ei ole paigaldatud.	Paigaldage akukassett.
	Akuga seotud probleem (alapinge)	Laadige aku. Kui laadimine ei anna tulemust, vahetage aku välja.
	Veosüsteem ei tööta korralikult.	Paluge volitatud teeninduskeskuses teha parandustööd.
Mootor seiskub pärast lühiajalist töötamist.	Aku laetustase on madal.	Laadige aku. Kui laadimine ei anna tulemust, vahetage aku välja.
	Ülekuumenemine.	Lõpetage tööriista kasutamine ja laske sel maha jahtuda.
Seade ei saavuta maksimaalset pöörlemiskiirust.	Aku ei ole õigesti paigaldatud.	Paigaldage akukassett juhendis kirjeldatud viisil.
	Aku võimsus langeb.	Laadige aku. Kui laadimine ei anna tulemust, vahetage aku välja.
	Veosüsteem ei tööta korralikult.	Paluge volitatud teeninduskeskuses teha parandustööd.
Lõikeseade ei pöörle: ⇒ seisake masin viivitamatult!	Oks vms kõrvaline ese on kaitsekatte ja nailonist lõikepea vahele kinni jäänud.	Eemaldage kõrvaline ese.
	Veosüsteem ei tööta korralikult.	Paluge volitatud teeninduskeskuses teha parandustööd.
Ebatavaline vibratsioon: ⇒ seisake masin viivitamatult!	Nailonjõhvi üks ots on purunenud.	Jõhvi etteandmiseks koputage pöörlevat nailonist lõikepead vastu maapinda.
	Veosüsteem ei tööta korralikult.	Paluge volitatud teeninduskeskuses teha parandustööd.
Lõikeriist ja mootor ei seisku: ⇒ eemaldage viivitamatult aku!	Elektri- või elektroonikarike.	Eemaldage aku ja paluge kohalikul ametikul teeninduskeskusel tööriist remontida.

VALIKULISED TARIKUD

⚠HOIATUS: Ärge monteerige sellele tööriistale metallist lõiketera. Kasutage ainult soovitud tarvikuid või lisaseadiseid, mida on nimetatud selles kasutusjuhendis. Metallist lõiketera või mõne muu tarviku ja lisaseadise kasutamine võib põhjustada raske kehavigastuse.

⚠ETTEVAATUST: Neid tarvikuid ja lisaseadiseid on soovitatav kasutada koos Makita tööriistaga, mille kasutamist selles kasutusjuhendis kirjeldatakse. Muude tarvikute ja lisaseadiste kasutamisega kaasneb vigastada saamise oht. Kasutage tarvikuid ja lisaseadiseid ainult otstarbekohaselt.

Saate vajaduse korral kohalikust Makita teeninduskeskusest lisateavet nende tarvikute kohta.

- Nailonist lõikepea
- Nailonjõhv (lõikejõhv)
- Plastist lõiketera
- Makita algupärane aku ja laadija

MÄRKUS: Mõned nimekirjas loetletud tarvikud võivad kuuluda standardvarustusse ning need on lisatud tööriista pakendisse. Need võivad riigiti erineda.

ТЕХНИЧЕСКИЕ ХАРАКТЕРИСТИКИ

Модель:		DUR187U	DUR187L	DUR188U	DUR188L
Тип рукоятки		Дугообразная рукоятка	Кольцевая рукоятка	Дугообразная рукоятка	Кольцевая рукоятка
Число оборотов без нагрузки		4 000/5 000/6 000 мин ⁻¹			
Общая длина (без режущего узла)		1 791 мм			
Диаметр нейлонового шнура		2,0 - 2,4 мм			
Применяемый режущий узел и диаметр резания	Нейлоновая режущая головка (P/N 123932-5)	300 мм			
	Пластмассовый нож (P/N 123954-5)	255 мм			
Номинальное напряжение		18 В пост. тока			
Масса нетто (при использовании BL1830B)	с нейлоновой режущей головкой	3,8 кг	3,6 кг	4,1 кг	3,9 кг
	с пластмассовым ножом	3,9 кг	3,6 кг	4,1 кг	3,9 кг
Блок аккумулятора		BL1815N, BL1820, BL1820B, BL1830, BL1830B, BL1840, BL1840B, BL1850, BL1850B, BL1860B			

- Благодаря нашей постоянно действующей программе исследований и разработок указанные здесь технические характеристики могут быть изменены без предварительного уведомления.
- Технические характеристики и аккумуляторный блок могут отличаться в зависимости от страны.
- Масса (с аккумуляторным блоком) в соответствии с процедурой EPTA 01.2003

Шум

Применимый стандарт : 2000/14/EC

Модель	Тип	Средний уровень звукового давления	Средний уровень звуковой мощности	
		L _{ра} (дБ(A))	L _{вм} (дБ(A))	Погрешность, К (дБ(A))
DUR187U	Нейлоновая режущая головка	74	84	6,0
	Пластмассовый нож	79	88	0,8
DUR187L	Нейлоновая режущая головка	74	84	6,0
	Пластмассовый нож	79	88	0,8
DUR188U	Нейлоновая режущая головка	74	84	6,0
	Пластмассовый нож	79	88	0,8
DUR188L	Нейлоновая режущая головка	74	84	6,0
	Пластмассовый нож	79	88	0,8

- Даже если указанный уровень звукового давления составляет 80 дБ(A) или менее, уровень шума при выполнении работ может превышать 80 дБ (A). Используйте средства защиты слуха.

Вибрация

Применимый стандарт : EN50636-2-91

Модель	Тип	Левосторонний		Правосторонний	
		a _{h,w} (м/с ²)	Погрешность, К (м/с ²)	a _{h,w} (м/с ²)	Погрешность, К (м/с ²)
DUR187U	Нейлоновая режущая головка	≤ 2,5	1,5	≤ 2,5	1,5
	Пластмассовый нож	≤ 2,5	1,5	≤ 2,5	1,5

DUR187L	Нейлоновая режущая головка	≤ 2,5	1,5	≤ 2,5	1,5
	Пластмассовый нож	≤ 2,5	1,5	≤ 2,5	1,5
DUR188U	Нейлоновая режущая головка	≤ 2,5	1,5	≤ 2,5	1,5
	Пластмассовый нож	≤ 2,5	1,5	≤ 2,5	1,5
DUR188L	Нейлоновая режущая головка	≤ 2,5	1,5	≤ 2,5	1,5
	Пластмассовый нож	≤ 2,5	1,5	≤ 2,5	1,5

ПРИМЕЧАНИЕ: Заявленное значение распространения вибрации измерено в соответствии со стандартной методикой испытаний и может быть использовано для сравнения инструментов.


ПРИМЕЧАНИЕ: Заявленное значение распространения вибрации можно также использовать для предварительных оценок воздействия.


⚠ОСТОРОЖНО: Распространение вибрации во время фактического использования электроинструмента может отличаться от заявленного значения в зависимости от способа применения инструмента.


⚠ОСТОРОЖНО: Обязательно определите меры безопасности для защиты оператора, основанные на оценке воздействия в реальных условиях использования (с учетом всех этапов рабочего цикла, таких как выключение инструмента, работа без нагрузки и включение).

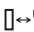
СИМВОЛЫ

Ниже приведены символы, используемые для обозначения. Перед использованием убедитесь, что вы понимаете их значение.


 Обратите особое внимание.


 Прочитайте руководство по эксплуатации.


 Опасность! Возможен разлет твердых предметов.


 Расстояние от инструмента до находящихся поблизости людей должно быть не менее 15 м.


 Не допускайте посторонних к месту работ.


 Соблюдайте дистанцию не менее 15 м.


 Надевайте каску, защитные очки и используйте средства защиты слуха.

 Использовать защитные перчатки.

 Обувайте прочные ботинки с нескользящими подошвами. Рекомендуется использовать защитную обувь со стальными подносками.

 Беречь от влаги.

 Максимально допустимая скорость инструмента.

 Запрещается использовать металлический нож.



Только для стран ЕС
Не выбрасывайте электрооборудование или аккумуляторы вместе с бытовым мусором! В соответствии с европейскими директивами об утилизации электрического и электронного оборудования, о батареях и аккумуляторах, а также использованных батареях и аккумуляторах и их применении в соответствии с местными законами электрооборудование, батареи и аккумуляторы, срок эксплуатации которых истек, должны утилизироваться отдельно и передаваться для утилизации на предприятие, соответствующее применяемым правилам охраны окружающей среды.

Декларация о соответствии ЕС

Только для европейских стран

Декларация о соответствии ЕС включена в руководство по эксплуатации (Приложение А).

МЕРЫ БЕЗОПАСНОСТИ

ВАЖНЫЕ ИНСТРУКЦИИ ПО ТЕХНИКЕ БЕЗОПАСНОСТИ

⚠ОСТОРОЖНО: Ознакомьтесь со всеми инструкциями и рекомендациями по технике безопасности. Невыполнение инструкций и рекомендаций может привести к поражению электротоком, пожару и/или тяжелым травмам.

Сохраните брошюру с инструкциями и рекомендациями для дальнейшего использования.

1. Ознакомьтесь со всеми органами управления и правилами эксплуатации оборудования.
2. После выключения электромотора режущие элементы продолжают вращаться.
3. Не разрешайте детям и лицам, не ознакомленным с инструкциями, пользоваться устройством.
4. Прекратите эксплуатацию устройства, если поблизости находятся люди (в особенности дети) или животные.
5. Используйте устройство в светлое время суток или при хорошем электрическом освещении.
6. Перед началом эксплуатации или после любого удара проверьте устройство на наличие признаков износа или повреждения. При необходимости отремонтируйте.
7. Соблюдайте осторожность, чтобы не получить травму от любого устройства, предназначенного для обрезки нитей. Вытянув новую нить, перед включением обязательно верните инструмент в обычное рабочее положение.
8. Запрещается установка металлических режущих элементов.
9. Данное устройство не предназначено для использования людьми (включая детей) с ограниченными физическими, сенсорными или умственными возможностями, либо не имеющими соответствующего опыта или знаний, за исключением случаев, когда они действуют под руководством или после надлежащего инструктажа по использованию устройства со стороны лица, ответственного за их безопасность. Следите за маленькими детьми, чтобы они не использовали устройство в качестве игрушки.
10. Будьте предельно осторожны и внимательны при использовании инструмента.
11. Используйте инструмент только в том случае, если находитесь в хорошей физической форме. Выполняйте все работы спокойно и аккуратно. Руководствуйтесь здравым смыслом; помните, что оператор/пользователь несет ответственность за происшествие и опасные ситуации с другими людьми или их собственностью.
12. Запрещается использовать инструмент в состоянии алкогольного/наркотического опьянения, при усталости или болезни.
13. В случае ненадлежащей работы инструмента немедленно выключите его.

Назначение инструмента

1. Используйте инструмент, соответствующий выполняемой работе. Аккумуляторная коса предназначена только для выкашивания травы и небольших сорняков. Запрещается использовать устройство для любых других целей, таких как подрезка живой изгороди, так как это может привести к травме.

Индивидуальные средства защиты

► Рис.1

► Рис.2

1. Одевайтесь соответствующим образом. Рабочая одежда должна быть функциональной и соответствующей выполняемым работам, т. е. должна быть в меру облегачющей. Не надевайте ювелирные украшения или одежду, которая может запутаться в высокой траве. Если у вас длинные волосы, уберите их под соответствующий головной убор.
2. При использовании инструмента обязательно носите прочные ботинки на нескользящей подошве. Они защитят от травм и обеспечат хорошую устойчивость при работе.
3. Надевайте защитные очки или защитную маску для лица.

Электробезопасность

1. Избегайте опасных сред. Не используйте инструмент в местах с повышенной влажностью и под дождем. Попавшая в инструмент вода повышает опасность поражения электрическим током.
2. Заряжайте аккумулятор только зарядным устройством, указанным изготовителем. Зарядное устройство, подходящее для одного типа аккумуляторов, может привести к пожару при его использовании с другим аккумуляторным блоком.
3. Используйте электроинструмент только с указанными аккумуляторными блоками. Использование других аккумуляторных блоков может привести к травме или пожару.
4. Когда аккумуляторный блок не используется, храните его отдельно от металлических предметов, таких как скрепки, монеты, ключи, гвозди, шурупы или другие небольшие металлические предметы, которые могут привести к закорачиванию контактов аккумуляторного блока между собой. Короткое замыкание между контактами аккумуляторного блока может привести к ожогам или пожару.
5. При неправильном обращении из аккумуляторного блока может потечь жидкость. Избегайте контакта с ней. В случае контакта с кожей промойте место контакта обильным количеством воды. В случае попадания жидкости в глаза обратитесь к врачу. Жидкость из аккумулятора может вызвать раздражение или ожоги.
6. Не бросайте аккумуляторные блоки в огонь. Они могут взорваться. Уточните местные правила утилизации аккумуляторов.
7. Не вскрывайте и не разбивайте аккумуляторы. Содержащийся в них электролит очень едкий, вы можете повредить глаза или кожу. При проглатывании может привести к отравлению.

Включение инструмента

► Рис.3

1. Убедитесь, что в радиусе 15 метров (50 футов) от места работы нет детей и других лиц, а также животных. В противном случае выключите инструмент.
2. Перед началом работы обязательно проверьте безопасность инструмента. Проверьте безопасность режущего узла и ограждения, легкость нажатия и правильность работы триггерного переключателя/рычага. Убедитесь, что рукоятки чистые и сухие, и проверьте функционирование выключателя.
3. Перед дальнейшим использованием инструмента осмотрите его на предмет поврежденных деталей. Ограждение или другие поврежденные детали должны быть тщательно осмотрены, чтобы убедиться, что инструмент будет работать нормально и выполнять функции, для которых он предназначен. Убедитесь в соосности и свободном ходе движущихся деталей, отсутствии поломок деталей, надежности крепления и отсутствии других дефектов, которые могут повлиять на работу электроинструмента. Поврежденное ограждение или другая деталь должны быть соответствующим образом отремонтированы или заменены в авторизованном сервисном центре, если в руководстве по эксплуатации не указано иное.
4. Включайте электродвигатель, только если руки и ноги находятся на безопасном расстоянии от режущего узла.
5. Перед пуском двигателя убедитесь, что режущий узел не касается твердых предметов, таких как ветки, камни и т. п., так как при пуске режущий узел начнет вращаться.

Способ эксплуатации

1. Запрещается включать инструмент с поврежденными или отсутствующими ограждениями.
 2. Используйте инструмент только при хорошем освещении и достаточной видимости. В зимнее время помните о скользких или мокрых поверхностях, наличии льда и снега (риск поскользывания). Обязательно проверяйте надежность опоры под ногами.
 3. Соблюдайте меры безопасности, чтобы не травмировать ноги и руки режущим узлом.
 4. Берегите руки и ноги от режущих деталей (особенно во время запуска электромотора).
 5. Никогда не выполняйте резку на высоте выше уровня пояса.
 6. Запрещается работать инструментом, стоя на лестнице.
 7. Запрещается работать на неустойчивых поверхностях.
 8. Не тянитесь слишком далеко. Всегда сохраняйте устойчивое положение и равновесие.
 9. Удаляйте из рабочей зоны песок, камни, гвозди и пр. Посторонние предметы могут повредить режущий узел, разлететься в стороны, что может стать причиной тяжелой травмы.
10. В случае удара режущего узла о камень или другой твердый предмет немедленно выключите электродвигатель и осмотрите режущий узел.
 11. Перед тем как приступить к обрезке, необходимо дождаться, пока режущий узел наберет полную скорость.
 12. Во время работы обязательно держите инструмент двумя руками. Запрещается во время работы удерживать инструмент только одной рукой. Обязательно проверяйте надежность опоры под ногами.
 13. Все защитные приспособления (такие, как ограждения), входящие в комплект поставки устройства, должны использоваться при эксплуатации.
 14. За исключением экстренных случаев, не бросайте инструмент на землю, так как это может стать причиной серьезного повреждения инструмента.
 15. Запрещается тащить инструмент по земле при перемещении с одного места на другое. Так вы можете повредить инструмент.
 16. Обязательно снимайте блок аккумулятора с инструмента в следующих случаях:
 - оставляя инструмент без присмотра;
 - перед устранением засора;
 - перед проверкой, очисткой или обслуживанием;
 - перед выполнением регулировок, сменой принадлежностей и приспособлений или хранением;
 - в случае возникновения необычной вибрации инструмента;
 - при транспортировке инструмента.
 17. Не прилагайте излишних усилий к инструменту. Используя инструмент с расчетной скоростью, вы добьетесь лучших результатов с меньшим риском травмирования.
 18. Не пользуйтесь электроинструментом во взрывоопасной атмосфере, например в присутствии легко воспламеняющихся жидкостей, газов или пыли. При работе электроинструмента возникают искры, которые могут привести к воспламенению пыли или газов.
 19. Если вы чувствуете усталость, прервите работу и отдохните. Это позволит избежать потери контроля над инструментом. Мы рекомендуем делать перерывы по 10–20 минут каждый час.

Инструкции по техническому обслуживанию

1. Перед началом работы необходимо проверить состояние режущего узла, защитных приспособлений и плечевого ремня.
2. Выключите электродвигатель и извлеките блок аккумулятора, прежде чем приступить к обслуживанию, замене режущего узла или очистке инструмента.
3. После эксплуатации отсоедините блок аккумулятора от инструмента и проверьте на наличие повреждений.
4. Проверьте затяжку креплений и целостность деталей (например, почти отрезанных элементов) в режущем узле.

5. Если оборудование не используется, оно должно храниться в сухом запечатом месте, недоступном для детей.
6. Используйте только рекомендованные производителем запасные части и принадлежности.
7. Следите за тем, чтобы вентиляционные отверстия не были засорены.
8. Регулярно осматривайте и обслуживайте инструмент, особенно перед началом и после окончания использования. Ремонт инструмента должен выполняться только в авторизованных сервисных центрах.
9. Ручки инструмента всегда должны быть сухими и чистыми и не должны быть испачканы маслом или смазкой.
6. Не храните инструмент и аккумуляторный блок в местах, где температура может достигать или превышать 50 °C (122 °F).
7. Не бросайте аккумуляторный блок в огонь, даже если он сильно поврежден или полностью вышел из строя. Аккумуляторный блок может взорваться под действием огня.
8. Не роняйте и не ударяйте аккумуляторный блок.
9. Не используйте поврежденный аккумуляторный блок.
10. Входящие в комплект литий-ионные аккумуляторы должны эксплуатироваться в соответствии с требованиями законодательства об опасных товарах.

При коммерческой транспортировке, например, третьей стороной или экспедитором, необходимо нанести на упаковку специальные предупреждения и маркировку.

В процессе подготовки устройства к отправке обязательно проконсультируйтесь со специалистом по опасным материалам. Также соблюдайте местные требования и нормы. Они могут быть строже.

Закройте или закрепите разомкнутые контакты и упакуйте аккумулятор так, чтобы он не перемещался по упаковке.

11. Выполняйте требования местного законодательства относительно утилизации аккумуляторного блока.

СОХРАНИТЕ ДАННЫЕ ИНСТРУКЦИИ.

⚠ОСТОРОЖНО: НЕ ДОПУСКАЙТЕ, чтобы удобно или опыт эксплуатации данного устройства (полученный от многократного использования) доминировали над строгим соблюдением правил техники безопасности при обращении с этим устройством. **НЕПРАВИЛЬНОЕ ИСПОЛЬЗОВАНИЕ** инструмента или несоблюдение правил техники безопасности, указанных в данном руководстве, может привести к тяжелой травме.

Важные правила техники безопасности для работы с аккумуляторным блоком

1. Перед использованием аккумуляторного блока прочитайте все инструкции и предупреждающие надписи на (1) зарядном устройстве, (2) аккумуляторном блоке и (3) инструменте, работающем от аккумуляторного блока.
2. Не разбирайте аккумуляторный блок.
3. Если время работы аккумуляторного блока значительно сократилось, немедленно прекратите работу. В противном случае, может возникнуть перегрев блока, что приведет к ожогам и даже к взрыву.
4. В случае попадания электролита в глаза промойте их обильным количеством чистой воды и немедленно обратитесь к врачу. Это может привести к потере зрения.
5. Не замыкайте контакты аккумуляторного блока между собой:
 - (1) Не прикасайтесь к контактам какими-либо токопроводящими предметами.
 - (2) Не храните аккумуляторный блок в контейнере вместе с другими металлическими предметами, такими как гвозди, монеты и т. п.
 - (3) Не допускайте попадания на аккумуляторный блок воды или дождя.

Замыкание контактов аккумуляторного блока между собой может привести к возникновению большего тока, перегреву, возможным ожогам и даже поломке блока.

СОХРАНИТЕ ДАННЫЕ ИНСТРУКЦИИ.

⚠ВНИМАНИЕ: Используйте только фирменные аккумуляторные батареи Makita. Использование аккумуляторных батарей, не произведенных Makita, или батарей, которые были подвергнуты модификациям, может привести к взрыву аккумулятора, пожару, травмам и повреждению имущества. Это также автоматически аннулирует гарантию Makita на инструмент и зарядное устройство Makita.

Советы по обеспечению максимального срока службы аккумулятора

1. Заряжайте блок аккумуляторов перед его полной разрядкой. Обязательно прекратите работу с инструментом и зарядите блок аккумуляторов, если вы заметили снижение мощности инструмента.
2. Никогда не подзаряжайте полностью заряженный блок аккумуляторов. Перезарядка сокращает срок службы аккумулятора.
3. Заряжайте блок аккумуляторов при комнатной температуре в 10 - 40 °C (50 - 104 °F). Перед зарядкой горячего блока аккумуляторов дайте ему остыть.
4. Зарядите ионно-литиевый аккумуляторный блок, если вы не будете пользоваться инструментом длительное время (более шести месяцев).

ОПИСАНИЕ ДЕТАЛЕЙ

► Рис.4

1	Блок аккумулятора	2	Рычаг разблокировки	3	Триггерный переключатель	4	Крючок для подвешивания
5	Рукоятка	6	Защитное устройство (ограждение режущего узла)	7	Проволочное ограждение	8	Стопорный рычаг (только DUR188U и DUR188L)
9	Крышка стыка (только DUR188U и DUR188L)	10	Крышка (только DUR188U и DUR188L)	11	Индикатор скорости	12	Индикатор автоматического регулятора скорости
13	Индикатор питания	14	Кнопка основного питания	15	Кнопка реверса	16	Плечевой ремень

* Форма защитного устройства варьируется в зависимости от страны.

ОПИСАНИЕ РАБОТЫ

▲ ОСТОРОЖНО: Перед регулировкой или проверкой функций инструмента обязательно убедитесь, что он выключен и его блок аккумулятора снят. Несоблюдение этого требования может стать причиной тяжелой травмы из-за случайного включения инструмента.

Установка или снятие блока аккумуляторов

▲ ВНИМАНИЕ: Обязательно выключайте инструмент перед установкой и извлечением аккумуляторного блока.

▲ ВНИМАНИЕ: При установке и извлечении аккумуляторного блока крепко удерживайте инструмент и аккумуляторный блок. Если не соблюдать это требование, они могут выскользнуть из рук, что приведет к повреждению инструмента, аккумуляторного блока и травмированию оператора.

► Рис.5: 1. Красный индикатор 2. Кнопка 3. Блок аккумулятора

Для снятия аккумуляторного блока нажмите кнопку на лицевой стороне и извлеките блок.

Для установки аккумуляторного блока совместите выступ аккумуляторного блока с пазом в корпусе и задвиньте его на место. Устанавливайте блок до упора так, чтобы он зафиксировался на месте с небольшим щелчком. Если вы можете видеть красный индикатор на верхней части клавиши, адаптер аккумулятора не полностью установлен на месте.

▲ ВНИМАНИЕ: Обязательно устанавливайте аккумуляторный блок до конца, чтобы красный индикатор не был виден. В противном случае аккумуляторный блок может выпасть из инструмента и нанести травму вам или другим людям.

▲ ВНИМАНИЕ: Не прилагайте чрезмерных усилий при установке аккумуляторного блока. Если блок не двигается свободно, значит он вставлен неправильно.

Система защиты инструмента/аккумулятора

На инструменте предусмотрена система защиты инструмента/аккумулятора. Она автоматически отключает питание двигателя для продления срока службы инструмента и аккумулятора. Инструмент автоматически останавливается во время работы в следующих случаях:

Состояние	Индикаторы		
	<input type="checkbox"/> Вкл	<input type="checkbox"/> Выкл	<input checked="" type="checkbox"/> Мигает
Перегрузка			
Перегрев			
Чрезмерная разрядка			

Защита от перегрузки


Если инструмент перегружен из-за накопления в нем скошенной травы или других загрязнений, и средние индикаторы начнут мигать, а инструмент будет остановлен.

В этом случае выключите инструмент и прекратите работу, повлекшую перегрузку инструмента. Затем включите инструмент для перезапуска.

Защита инструмента или аккумулятора от перегрева

Существует два типа перегрева: перегрев инструмента и перегрев аккумулятора. При перегреве инструмента все индикаторы скорости начнут мигать. При перегреве аккумулятора индикатор начнет мигать. В случае перегрева прибор автоматически останавливается. Дайте инструменту и/или аккумулятору остыть перед возобновлением работы.

Защита от переразрядки

При истощении заряда аккумулятора инструмент автоматически останавливается, и мигает индикатор .












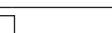




Если устройство не работает даже после нажатия переключателей, снимите аккумуляторы с инструмента и зарядите их.

Индикация оставшегося заряда аккумулятора

Только для блоков аккумулятора с индикатором

► Рис.6: 1. Индикаторы 2. Кнопка проверки

Нажмите кнопку проверки на аккумуляторном блоке для проверки заряда. Индикаторы загорятся на несколько секунд.

Индикаторы			Уровень заряда
 Горит	 Выкл.	 Мигает	
			от 75 до 100%
			от 50 до 75%
			от 25 до 50%
			от 0 до 25%
			Зарядите аккумуляторную батарею.
			Возможно, аккумуляторная батарея неисправна.
			

ПРИМЕЧАНИЕ: В зависимости от условий эксплуатации и температуры окружающего воздуха индикация может незначительно отличаться от фактического значения.

Действие выключателя питания

⚠ОСТОРОЖНО: Перед установкой аккумуляторного блока в инструмент обязательно убедитесь, что его триггерный переключатель нормально работает и возвращается в положение "OFF" (ВЫКЛ) при отпускании. Эксплуатация инструмента с неисправным выключателем может привести к потере контроля над инструментом и получению тяжелой травмы.

⚠ВНИМАНИЕ: Никогда не кладите палец на переключатель во время переноски. Инструмент может включиться непреднамеренно и причинить травму.

Нажмите и удерживайте кнопку основного питания в течение нескольких секунд для включения инструмента.

Для выключения инструмента снова нажмите и удерживайте кнопку основного питания.

► Рис.7: 1. Кнопка основного питания

Для предотвращения случайного нажатия триггерного переключателя инструмент оборудован рычагом разблокировки.

Для запуска инструмента возьмитесь за рукоятку (при этом выключите рычаг разблокировки) и потяните триггерный переключатель. Для выключения инструмента отпустите триггерный переключатель.

DUR187U и DUR188U

► Рис.8: 1. Рычаг разблокировки 2. Триггерный переключатель

DUR187L и DUR188L

► Рис.9: 1. Рычаг разблокировки 2. Триггерный переключатель

ПРИМЕЧАНИЕ: Инструмент автоматически выключается в случае бездействия в течение одной минуты.

Регулировка скорости

Для регулировки скорости инструмента нажмите кнопку основного питания.

При каждом нажатии кнопки основного питания уровень скорости будет меняться.

► Рис.10: 1. Кнопка основного питания

Индикатор	Режим	Скорость вращения
	Авто	4 000 - 6 000 мин ⁻¹
	Высокая	6 000 мин ⁻¹
	Средняя	5 000 мин ⁻¹
	Низкая	4 000 мин ⁻¹

Кнопка реверса для удаления мусора

⚠ОСТОРОЖНО: Выключите инструмент и снимите блок аккумулятора перед удалением скопившихся сорняков или мусора, с которыми не справилась функция реверса. Несоблюдение этого требования может стать причиной тяжелой травмы из-за случайного включения инструмента.

Этот инструмент оборудован кнопкой реверса для изменения направления вращения. Данная функция предназначена только для удаления скопившихся в инструменте сорняков и мусора.

Для изменения направления вращения нажмите кнопку реверса и потяните триггерный переключатель после остановки головки инструмента. После нажатия триггерного переключателя индикатор питания начнет мигать, а головка инструмента будет вращаться в обратном направлении.

Для возврата к обычному направлению вращения отпустите триггерный переключатель и дождитесь остановки головки инструмента.

► **Рис.11:** 1. Кнопка реверса

ПРИМЕЧАНИЕ: После изменения направления вращения инструмент работает в течение небольшого периода времени и затем автоматически отключается.

ПРИМЕЧАНИЕ: После выключения инструмента при его последующем включении направление вращения снова будет обычным.

ПРИМЕЧАНИЕ: В случае нажатия кнопки реверса во время вращения головки инструмента, он останавливается для изменения направления вращения.

Нейлоновая режущая головка

Дополнительные принадлежности

ПРИМЕЧАНИЕ: Если головка не вращается, функция ударного самовыпуска не будет работать надлежащим образом.

► **Рис.12:** 1. Наиболее эффективная зона резки Нейлоновая режущая головка представляет собой электрокосу с двумя нитями и механизмом ударного самовыпуска.

Чтобы выпустить нейлоновый шнур, коснитесь земли выступом на нейлоновой режущей головке при вращении.

ПРИМЕЧАНИЕ: Если нейлоновый шнур не выходит при ударе о землю, намотайте/замените его в соответствии с процедурой, описанной в разделе "Техобслуживание".

СБОРКА

⚠ОСТОРОЖНО: Перед выполнением каких-либо работ с инструментом обязательно убедитесь, что он выключен и его блок аккумулятора снят. Несоблюдение этого требования может стать причиной тяжелой травмы из-за случайного включения инструмента.

⚠ОСТОРОЖНО: Не запускайте частично разобранный инструмент. Работа инструмента в частично разобранном виде может стать причиной тяжелой травмы в результате случайного пуска.

Установка рукоятки

Только для DUR187U и DUR188U

1. Вставьте штангу рукоятки в зажим. Совместите отверстие для винта в зажиме с соответствующим отверстием в штанге. Хорошо затяните винт.

► **Рис.13:** 1. Ручка 2. Винт 3. Рукоятка

2. Вставьте рукоятку между зажимом и держателем. Отрегулируйте угол рукоятки так, чтобы добиться удобного рабочего положения, затем затяните болты с шестигранными головками.

► **Рис.14:** 1. Болт с шестигранной головкой
2. Зажим рукоятки

Установка трубки насадки

Только для DUR188U и DUR188L

Установка трубки насадки на силовой агрегат.

1. Поверните рычаг в направлении, указанном на рисунке.

► **Рис.15:** 1. Рычаг

2. Потяните вверх крышку стыка и вставьте трубку насадки, совместив выступ на трубке (со стороны режущего узла) с вогнутой частью области стыка.

► **Рис.16:** 1. Стопорный рычаг 2. Крышка стыка
3. Трубка

Убедитесь, что поверхность рычага блокировки расположена параллельно трубке.

3. Поверните рычаг в направлении, указанном на рисунке.

► **Рис.17:** 1. Рычаг

Для снятия трубки поверните рычаг в направлении, указанном на рисунке и вытяните трубку, одновременно нажимая на рычаг блокировки.

► **Рис.18:** 1. Рычаг 2. Стопорный рычаг 3. Трубка

Установка ограждения

⚠ОСТОРОЖНО: Запрещается использовать инструмент без установленного защитного ограждения, показанного на рисунке. Несоблюдение данного требования может привести к серьезным травмам.

⚠ВНИМАНИЕ: Соблюдайте осторожность, чтобы не пораниться при отрезании нейлонового шнура.

ПРИМЕЧАНИЕ: Форма защитного устройства варьируется в зависимости от страны.

1. Совместите выступы защиты с пазами на корпусе двигателя.

► **Рис.19:** 1. Защитное устройство 2. Паз 3. Защита

2. Совместите выступы на держателе защиты с углублениями в корпусе двигателя.

► **Рис.20:** 1. Держатель защиты 2. Защита

3. Надежно затяните болты с шестигранной головкой, чтобы закрепить защиту и держатель.

► **Рис.21:** 1. Болт с шестигранной головкой
2. Шестигранный ключ

Установка проволочного ограждения

ВНИМАНИЕ: Перед регулировкой проволочного ограждения дождитесь полной остановки режущей головки. Не регулируйте проволочное ограждение ногой.

► Рис.22

Чтобы уменьшить риск повреждения объектов перед режущей головкой, вставьте проволочное ограждение, чтобы с его помощью контролировать область срезания нити.

Слегка разожмите концы проволочного ограждения и вставьте их в отверстия защиты.

► Рис.23: 1. Проволочное ограждение

ПРИМЕЧАНИЕ: Не раздвигайте концы проволочного ограждения слишком сильно. В противном случае оно может сломаться.

Если проволочное ограждение не используется, поднимите его в нерабочее положение.

► Рис.24

Установка нейлоновой режущей головки

Дополнительные принадлежности

ВНИМАНИЕ: Если во время работы нейлоновая режущая головка наталкивается на камень или другой твердый предмет, остановите инструмент и осмотрите его на предмет повреждений. Если нейлоновая режущая головка повреждена, немедленно замените ее. Использование поврежденного режущего узла может привести к серьезной травме.

ВНИМАНИЕ: Не забудьте убрать шестигранный ключ после установки.

ПРИМЕЧАНИЕ: Обязательно используйте оригинальную нейлоновую режущую головку Makita.

► Рис.25: 1. Нейлоновая режущая головка 2. Металлическое ограждение 3. Шпиндель 4. Шестигранный ключ

1. Для замены ножа переверните режущий узел.
2. Вставьте шестигранный ключ через отверстие в корпусе электромотора и поверните шпиндель до фиксации.
3. Установите нейлоновую режущую головку непосредственно на резьбовой шпиндель и затяните, повернув против часовой стрелки.
4. Извлеките шестигранный ключ.

Для снятия нейлоновой режущей головки поверните ее по часовой стрелке, удерживая опорную шайбу шестигранным ключом.

Установка пластмассового ножа

Дополнительные принадлежности

ВНИМАНИЕ: Если во время работы пластмассовый нож наталкивается на камень или другой твердый предмет, остановите инструмент и осмотрите его на предмет повреждений. Если пластмассовый нож поврежден, немедленно замените его. Использование поврежденного режущего узла может привести к серьезной травме.

ВНИМАНИЕ: Не забудьте убрать шестигранный ключ после установки.

ПРИМЕЧАНИЕ: Обязательно используйте оригинальные пластмассовые ножи Makita.

► Рис.26: 1. Пластмассовый нож 2. Металлическое ограждение 3. Шестигранный ключ

1. Для замены ножа переверните режущий узел.
2. Вставьте шестигранный ключ через отверстие в корпусе электромотора и поверните шпиндель до фиксации.
3. Установите пластмассовый нож непосредственно на резьбовой шпиндель и затяните, повернув против часовой стрелки.
4. Извлеките шестигранный ключ.

Для снятия пластмассового ножа поверните его по часовой стрелке, удерживая опорную шайбу шестигранным ключом.

Регулировка положения рукоятки/крючка для подвешивания

Отрегулируйте положение рукоятки/крючка для подвешивания для наибольшего удобства в работе.

Для DUR187U и DUR188U

Ослабьте болты с шестигранной головкой в нижней части держателя. Переместите рукоятку в удобную рабочую позицию и затяните болты.

► Рис.27: 1. Держатель рукоятки 2. Болт с шестигранной головкой 3. Рукоятка

Ослабьте болты с шестигранной головкой на крючке для подвешивания. Переместите крючок в удобную рабочую позицию и затяните болты.

► Рис.28: 1. Болт с шестигранной головкой 2. Крючок для подвешивания

Для DUR187L и DUR188L

Ослабьте болты с шестигранной головкой на рукоятке. Переместите рукоятку в удобную рабочую позицию и затяните болты.

► Рис.29: 1. Болт с шестигранной головкой 2. Рукоятка

Ослабьте болт с шестигранной головкой на крючке для подвешивания. Переместите крючок в удобную рабочую позицию и затяните болт.

► Рис.30: 1. Болт с шестигранной головкой 2. Крючок для подвешивания

Хранение шестигранного ключа

⚠ ВНИМАНИЕ: Будьте осторожны и не оставляйте шестигранный ключ в головке инструмента. Это может привести к травме и/или к повреждению инструмента.

Когда шестигранный ключ не используется, храните его, как показано на рисунке, чтобы не потерять.

► Рис.31: 1. Шестигранный ключ

Только для DUR187L и DUR188L

► Рис.32: 1. Рукоятка 2. Шестигранный ключ

ЭКСПЛУАТАЦИЯ

Правильное обращение с инструментом

⚠ ОСТОРОЖНО: Инструмент всегда должен располагаться справа от оператора. Правильное расположение инструмента обеспечивает его оптимальную управляемость и позволяет снизить риск получения серьезных травм из-за отдачи инструмента.

⚠ ОСТОРОЖНО: Соблюдайте особую осторожность, чтобы сохранять контроль над инструментом во время работы. Не допускайте отклонения инструмента по направлению к вам или к другим людям, находящимся поблизости. Несоблюдение данного требования может привести к серьезным травмам посторонних лиц или оператора.

⚠ ОСТОРОЖНО: Во избежание несчастных случаев расстояние между работающими на одном участке операторами должно составлять более 15 м (50 футов). Также назначьте сотрудника для контроля расстояния между операторами. При появлении в области работы людей или животных немедленно прекратите работу.

DUR187U и DUR188U

► Рис.33

DUR187L и DUR188L

► Рис.34

Прикрепление плечевого ремня

⚠ ВНИМАНИЕ: Всегда используйте закреплённый плечевой ремень. Чтобы снизить усталость, всегда регулируйте плечевой ремень, прежде чем приступить к работе.

Подсоедините крюк плечевого ремня к крючку для подвешивания и наденьте плечевой ремень. Убедитесь, что инструмент надежно удерживается плечевым ремнем.

DUR187U и DUR188U

► Рис.35: 1. Крючок 2. Крючок для подвешивания

DUR187L и DUR188L

► Рис.36: 1. Крючок 2. Крючок для подвешивания

Снятие

Конструкция плечевого ремня обеспечивает его быстрое снятие.

DUR187U и DUR188U

► Рис.37: 1. Лента

Вытяните ленту, чтобы снять инструмент с плечевого ремня.

DUR187L и DUR188L

► Рис.38: 1. Замок

Чтобы отсоединить плечевой ремень от инструмента, просто нажмите на боковые выступы замка.

ОБСЛУЖИВАНИЕ

⚠ ОСТОРОЖНО: Перед осмотром или обслуживанием инструмента обязательно убедитесь, что он выключен и его блок аккумулятора снят. Несоблюдение этого требования может стать причиной тяжелой травмы из-за случайного включения инструмента.

ПРИМЕЧАНИЕ: Запрещается использовать бензин, растворители, спирт и другие подобные жидкости. Это может привести к обесцвечиванию, деформации и трещинам.

Замена нейлонового шнура

⚠ ОСТОРОЖНО: Используйте нейлоновый шнур, диаметр которого точно соответствует требованиям из раздела «ТЕХНИЧЕСКИЕ ХАРАКТЕРИСТИКИ». Никогда не применяйте более тяжелую нить, металлическую проволоку, канат или подобные материалы. Используйте только рекомендованный нейлоновый шнур. Несоблюдение данного требования может привести к повреждению инструмента и серьезным травмам.

⚠ ОСТОРОЖНО: Убедитесь, что крышка нейлоновой режущей головки надежно закреплена на корпусе, как описано ниже. Ненадлежащая фиксация крышки может привести к разрушению режущей головки – она может разлететься на осколки и причинить серьезную травму.

1. Нажмите кнопку на корпусе защелки, чтобы поднять крышку, а затем снимите бобину.

► Рис.39: 1. Защелка 2. Крышка

2. Подготовьте приблизительно 3 м (9 футов) нового нейлонового шнура. Сложите новый нейлоновый шнур так, чтобы один конец был приблизительно на 80 мм (3-1/8 дюйма) длиннее другого. Затем закрепите новый нейлоновый шнур в пазах в центре бобины.

Плотно намотайте оба конца на бобину в направлении вращения головки (вращение бобины влево обозначено маркировкой LH сбоку бобины).

► **Рис.40:** 1. Бобина

3. Намотайте шнуры, оставив примерно по 100 мм (3 - 15/16 дюйма) и временно вставив концы в паз на боковой стороне бобины.

► **Рис.41**

4. Установите бобину в корпус так, чтобы пазы и выступы на катушке совпали с соответствующими выступами и пазами на корпусе. Сторона катушки с надписью должна быть обращена вверх. Теперь освободите концы шнура из точек временного закрепления и выдвиньте шнуры через отверстия в крышке.

► **Рис.42:** 1. Бобина 2. Корпус 3. Отверстие

5. Совместите выступ на нижней стороне крышки с углублениями отверстий. Затем прижмите крышку к корпусу, чтобы зафиксировать ее.

► **Рис.43**

Замените пластмассовый нож

Замените нож в случае его износа или поломки.

► **Рис.44**

При установке пластмассового ножа сориентируйте стрелку на ноже в направлении, совпадающем с направлением стрелки на защитном устройстве.

► **Рис.45:** 1. Стрелка на защитном устройстве
2. Стрелка на ноже

Для обеспечения БЕЗОПАСНОСТИ и НАДЕЖНОСТИ оборудования ремонт, любое другое техобслуживание или регулировку необходимо производить в уполномоченных сервис-центрах Makita или сервис-центрах предприятия с использованием только сменных частей производства Makita.

ПОИСК И УСТРАНЕНИЕ НЕИСПРАВНОСТЕЙ

Прежде чем обращаться по поводу ремонта, проведите осмотр самостоятельно. Если обнаружена неисправность, не указанная в руководстве, не пытайтесь разобрать инструмент. Обратитесь в один из авторизованных сервисных центров Makita, в которых для ремонта всегда используются оригинальные детали Makita.

Состояние неисправности	Возможная причина (неисправности)	Способ устранения
Не работает электромотор.	Не вставлен блок аккумулятора.	Установите блок аккумулятора.
	Неисправен аккумулятор (под напряжением)	Зарядите аккумулятор. Если перезарядка не помогает, замените аккумулятор.
	Привод работает неправильно.	Обратитесь в местный авторизованный центр для ремонта.
После непродолжительного использования двигатель останавливается.	Низкий уровень заряда аккумулятора.	Зарядите аккумулятор. Если перезарядка не помогает, замените аккумулятор.
	Перегрев.	Прекратите работу и дайте инструменту остыть.
Не достигает максимальных оборотов.	Неправильно установлен аккумулятор.	Вставьте блок аккумулятора, как описано в этом руководстве.
	Заряд аккумулятора падает.	Зарядите аккумулятор. Если перезарядка не помогает, замените аккумулятор.
	Привод работает неправильно.	Обратитесь в местный авторизованный центр для ремонта.
Режущий узел не вращается: ⇒ немедленно выключите машину!	Посторонний предмет (например, ветка) застрял между ограждением и нейлоновой режущей головкой.	Удалите посторонний предмет.
	Привод работает неправильно.	Обратитесь в местный авторизованный центр для ремонта.
Сильная вибрация: ⇒ немедленно выключите машину!	Один из концов нейлонового шнура оборван.	При вращении коснитесь земли выступом на нейлоновой режущей головке, чтобы выпустить нейлоновый шнур.
	Привод работает неправильно.	Обратитесь в местный авторизованный центр для ремонта.
Режущий узел и двигатель не останавливаются: ⇒ Немедленно извлеките аккумулятор!	Электрическая или электронная неисправность.	Извлеките аккумулятор и обратитесь в местный авторизованный сервисный центр для ремонта.

ДОПОЛНИТЕЛЬНЫЕ ПРИНАДЛЕЖНОСТИ

⚠ ОСТОРОЖНО: Запрещается устанавливать металлический нож на данный инструмент – используйте только оригинальные принадлежности или приспособления, указанные в данном руководстве. Использование металлического ножа или других принадлежностей и насадок может привести к серьезным травмам.

⚠ ВНИМАНИЕ: Данные принадлежности или приспособления рекомендуются для использования с инструментом Makita, указанным в настоящем руководстве. Использование других принадлежностей или приспособлений может привести к получению травмы. Используйте принадлежность или приспособление только по указанному назначению.

Если вам необходимо содействие в получении дополнительной информации по этим принадлежностям, свяжитесь с вашим сервис-центром Makita.

- Нейлоновая режущая головка
- Нейлоновый шнур (режущая нить)
- Пластмассовый нож
- Оригинальный аккумулятор и зарядное устройство Makita

ПРИМЕЧАНИЕ: Некоторые элементы списка могут входить в комплект инструмента в качестве стандартных приспособлений. Они могут отличаться в зависимости от страны.

Makita Europe N.V. Jan-Baptist Vinkstraat 2,
3070 Kortenberg, Belgium

Makita Corporation 3-11-8, Sumiyoshi-cho,
Anjo, Aichi 446-8502 Japan

www.makita.com

885546C980
EN, SV, NO, FI, LV,
LT, ET, RU
20170123