



**Original Instruction Manual**  
**Originalbruksanvisning**  
**Original bruksanvisning**  
**Alkuperäinen käyttöohje**  
**Original brugsanvisning**  
**Orīginālā instrukciju rokasgrāmata**  
**Originali naudojimo instrukcija**  
**Algne kasutusjuhend**  
**Оригинальное руководство по эксплуатации**

**⚠ WARNING:**

Before use, read this booklet and the instruction manual of the power unit. Failure to follow the warnings and instructions may cause serious or fatal injury.

**⚠ VARNING:**

Läs igenom denna handbok och bruksanvisningen för maskinen före användning. Underlåtenhet att följa varningar och anvisningar kan orsaka allvarlig skada eller dödsfall.

**⚠ ADVARSEL:**

Les dette heftet og bruksanvisningen til drivverket før utstyret tas i bruk. Hvis advarslene og instruksjonene ikke følges, kan dette føre til alvorlig eller livstruende personskade.

**⚠ VAROITUS:**

Lue ennen käytön aloittamista tämä opas sekä tehonlähteen käyttöohje. Varoitusten ja ohjeiden noudattamatta jättäminen voi aiheuttaa vakavan tai kuolemaan johtavan onnettomuuden.

**⚠ ADVARSEL:**

Læs dette hæfte og brugsanvisningen til drivenheden inden brug. Det kan medføre alvorlig eller dødelig tilskadekomst, hvis du ikke overholder advarslerne og følger instruktionerne.

**⚠ BRĪDINĀJUMS:**

Pirms lietošanas, izlasiet šo brošūru un jaudas bloka instrukciju rokasgrāmatu. Ja netiek ievēroti brīdinājumi un instrukcijas, var izraisīt smagus vai letālus ievainojumus.

**⚠ ĮSPĖJIMAS:**

Prieš naudodami perskaitykite šį bukletą ir galios agregato naudojimo instrukciją. Nesilaikant įspėjimų ir nurodymų galimi sunkūs arba mirtini sužalojimai.

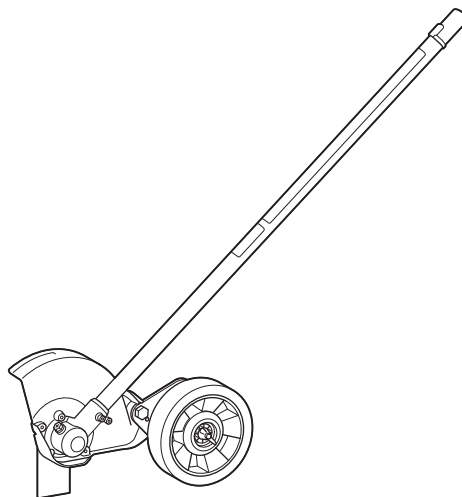
**⚠ HOIATUS:**

Enne kasutamist lugege käesolevat brošüüri ja mootorajami kasutusjuhendit. Hoiatuste ja juhiste eiramine võib kaasa tuua tõsiseid või eluohtlikke vigastusi.

**⚠ ПРЕДОСТЕРЕЖЕНИЕ:**

Перед началом эксплуатации ознакомьтесь с данным буклетом и инструкцией по эксплуатации силового агрегата. Несоблюдение данного требования может привести к серьезным травмам или смерти.

**EE400MP**



**Contents**

	<b>Page</b>
Contents .....	2
Foreword .....	2
Symbols .....	2
Approved power unit.....	3
Part description.....	3
Safety precautions.....	3
Assembly and adjustment .....	5
Operation.....	5
Inspection and maintenance.....	6
Storage .....	6
Maintenance schedule.....	7
Troubleshooting.....	7
Technical Data .....	7
EU Declaration of Conformity .....	8
Declaration of Conformity (For UK) .....	8

**Foreword**

Thank you very much for purchasing Makita edger attachment. This attachment is designed to be mounted on Makita power unit mentioned in this instruction manual. Before use, please read this booklet and the instruction manual of the power unit. They will assist you to obtain the best possible result from your Makita edger attachment.

**Symbols**

The following symbols are used on the attachment and this instruction manual. Understand these definitions.



Take particular care and attention.



Read instruction manual.



Keep working area clear of persons



Wear a eye and ear protection.



Wear protective gloves.



Wear sturdy boots with nonslip soles.  
Steeltod safety boots are recommended.



Forbidden!



First Aid

## Approved power unit

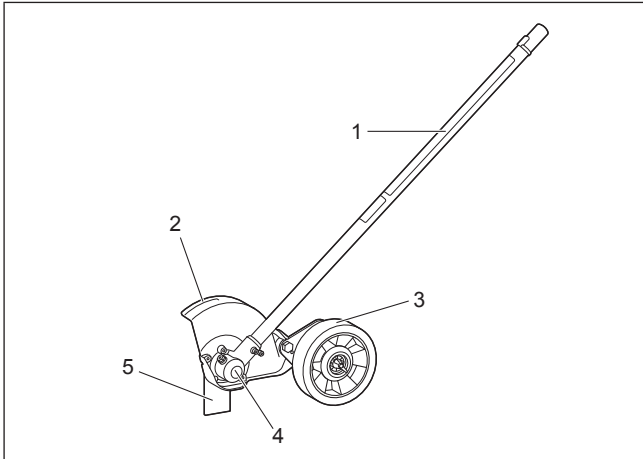
This attachment is approved to use only with the following power unit(s):

**EX2650LH Multi function power head**  
**BUX360, BUX361, BUX362, UX360D, UX361D, UX362D, DUX60, DUX18, UX01G**  
**Cordless multi function power head**

### **⚠ WARNING:**

Never use the attachment with non-approved power unit. Non-approved combination may cause serious injury.

## Part description



The numbers below refer to the figure.

1. Shaft
2. Blade case
3. Wheel
4. Gear case
5. Blade

## Safety precautions

### **⚠ WARNING:**

**Read all safety warnings and all instructions in this booklet and the instruction manual of the power unit. Failure to follow the warnings and instructions may result in electric shock, fire and/or serious injury.**

**Save all warnings and instructions for future reference.**

The term “edger” and “equipment” in the warnings and precautions refer to the combination of the attachment and the power unit. The term “motor” in the warnings and precautions refers to the engine or electric motor of the power unit.

### Intended use

- This equipment is only intended for edging the lawn in conjunction with an approved power unit. Never use the attachment for the other purpose. Abusing the attachment may cause serious injury.

### General precautions

- Before starting the equipment, read this booklet and the instruction manual of the power unit to become familiar with the handling of the equipment.
- Do not lend the attachment to a person with insufficient experience or knowledge regarding handling of the equipment.
- When lending the attachment, always attach this instruction manual.
- Do not allow children or young persons under 18 years old to use the equipment. Keep them away from the equipment.
- Handle the equipment with the utmost care and attention.
- Never use the equipment after consuming alcohol or drugs, or if feeling tired or ill.

- Keep in mind that the operator or user is responsible for accidents or hazards occurring to other people or their property.
- Never attempt to modify the attachment.
- Follow the regulations about handling of the equipment in your country.

### Personal protective equipment

- Wear safety helmet, protective goggles and protective gloves to protect yourself from flying debris or falling objects.



- Wear ear protection such as ear muffs to prevent hearing loss.
- Wear proper clothing and shoes for safe operation, such as a work overall and sturdy, non-slip shoes. Do not wear loose clothing or jewelry. Loose clothes, jewelry or long hair can be caught in moving parts.
- When touching the cutting blade, wear protective gloves. Cutting blades can cut bare hands severely.

### Work area safety

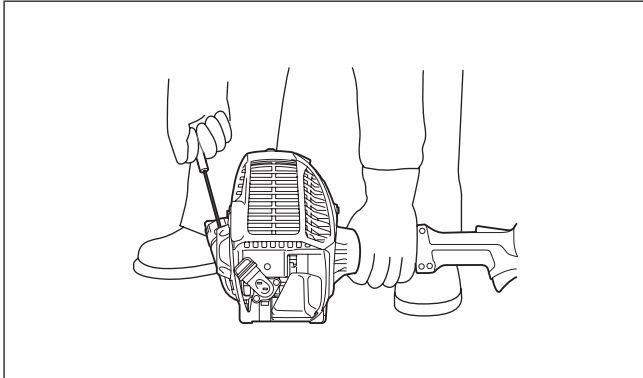
- Operate the equipment under good visibility and daylight conditions only. Do not operate the equipment in darkness or fog.
- Start and operate the engine only outdoors in a well ventilated area. Operation in a confined or poorly ventilated area can result in death due to suffocation or carbon monoxide poisoning.
- During operation, never stand on an unstable or slippery surface or a steep slope. During the cold season, beware of ice and snow and always ensure secure footing.
- During operation, keep bystanders or animals at least 15 m away from the equipment. Stop the motor as soon as someone approaches.
- Before operation, examine the work area for stones or other solid objects. They can be thrown or cause dangerous kickback and result in serious injury and/or property damage.
- **⚠ WARNING:** Use of this product can create dust containing chemicals which may cause respiratory or other illnesses. Some examples of these chemicals are compounds found in pesticides, insecticides, fertilizers and herbicides. Your risk from these exposures varies, depending on how often you do this type of work. To reduce your exposure to these chemicals: work in a well ventilated area, and work with approved safety equipment, such as those dust masks that are specially designed to filter out microscopic particles.

### Putting into operation

- Before assembling or adjusting the equipment, switch off the motor and remove the spark plug cap or the battery cartridge.
- Before handling the cutter blade, wear protective gloves.
- Before starting the motor, inspect the equipment for damages, loose screws/nuts or improper assembly. If the cutter blade is bent or damaged, replace it. Check all control levers and switches for easy action. Clean and dry the handles.
- Never attempt to start the motor if the equipment is damaged or not fully assembled. Otherwise serious injury may result.
- Adjust the shoulder harness and hand grip to suit the operator's body size.

## Starting motor

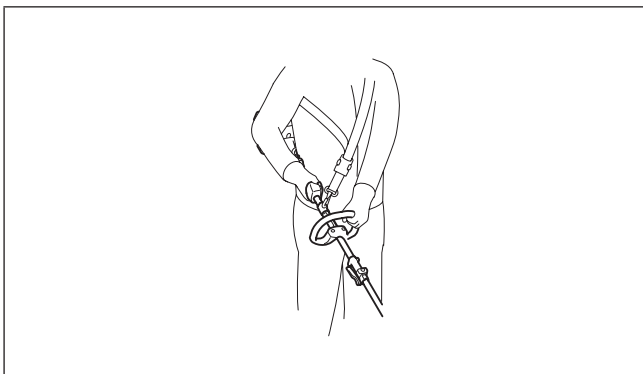
- Wear the personal equipments before starting the motor.
- Start the engine at least 3 meters (10 feet) away from the fueling spot.
- Before starting the motor, make sure that there is no person or animal in the work area.
- When starting the engine or inserting a battery cartridge, keep the cutting tool clear of your body and other object, including the ground. It may rotate when starting and may cause injury or damage to the equipment and/or property.
- Place the equipment on firm ground. Maintain good balance and secure footing.
- When pulling the starter knob, hold the power unit firmly against the ground by your left hand. Never step on the drive shaft of the power unit.



- Follow the instruction manual of the power unit for starting the motor.
- If the cutting tool rotates at idle, stop the engine and adjust the idle speed down.

## Operation

- In the event of an emergency, switch off the motor immediately.
- If you feel any unusual condition (e.g. noise, vibration) during operation, switch off the motor. Do not use the equipment until the cause is recognized and solved.
- The cutting tool continues to rotate for a short period after releasing the throttle trigger or switch off the motor. Don't rush to contact the cutting tool.
- With the engine running only at idle, attach the shoulder harness.
- During operation, use the shoulder harness. Keep the equipment on your right side firmly.



- Hold the front handle with the left hand and the rear grip with the right hand, no matter you are right-hander or left-hander. Wrap your finger and thumbs around the handles.
- Never attempt to operate the equipment with one hand. Loss of control may result in serious or fatal injury. To reduce the risk of injury, keep your hands and feet away from the cutting tool.
- Do not overreach. Keep proper footing and balance at all times. Watch for hidden obstacles such as tree stumps, roots and ditches to avoid stumbling.
- Never work on a ladder or tree to avoid loss of control.
- If the equipment gets heavy impact or fall, check the condition before continuing work. Check the fuel system for fuel leakage and the controls and safety devices for malfunction. If there is any damage or doubt, ask Makita authorized service center for the inspection and repair.

- Do not touch the gear case. The gear case becomes hot during operation.
- Take a rest to prevent loss of control caused by fatigue. We recommend taking a 10 to 20-minute rest every hour.
- When you leave the equipment, even if it is a short time, always switch off the engine or remove the battery cartridge. The equipment unattended with the engine running may be used by unauthorized person and cause serious accident.
- Follow the instruction manual of the power unit for proper use of the control lever and switch.
- During or after operation, do not put the hot equipment onto dry grass or combustible materials.
- If grass or branches get caught between the cutting tool and guard, always stop the motor and remove the spark plug cap or the battery cartridge before cleaning. Otherwise unintentional blade rotation may cause serious injury.
- If the cutting tool hits stones or other hard objects, immediately switch off the motor and inspect the cutting tool.
- Check the cutting tool frequently during operation for cracks or damages. Before the inspection, switch off the motor and wait until the cutting tool stops completely. Replace damaged cutting tool immediately, even if it has only superficial cracks.
- Never cut above waist height.
- Before starting the cutting operation, wait until the cutting tool reaches a constant speed after pulling the trigger.
- Always be sure of your footing on slopes.
- Walk, never run.
- Use extreme caution when reversing or pulling the edger toward you.
- Make sure the blade has stopped before crossing surfaces other than grass and when transporting the edger to and from the area to be edged.
- Stop the engine whenever you leave the edger.

## Cutting tools

- Never use inappropriate blades including metal multi-piece pivoting chains and flail blades. It may result in serious injury.
- Always use the cutting tool guard properly suited for the cutting tool used.

## Vibration

- People with poor circulation who are exposed to excessive vibration may experience injury to blood vessels or the nervous system. Vibration may cause the following symptoms to occur in the fingers, hands or wrists: "Falling asleep" (numbness), tingling, pain, stabbing sensation, alteration of skin color or of the skin. If any of these symptoms occur, see a physician!
- To reduce the risk of "white finger disease", keep your hands warm during operation and well maintain the equipment and accessories.

## Transport

- Before transporting the equipment, switch off the motor and remove the spark plug cap or battery cartridge. Remove the cutting tool.
- When transporting the equipment, carry it in a horizontal position by holding the shaft. Keep the hot muffler away from your body.
- When transporting the equipment in a vehicle, properly secure it to avoid turnover. Otherwise fuel spillage and damage to the equipment and other baggage may result.

## Maintenance


- Have your equipment serviced by our authorized service center, always using only genuine replacement parts. Incorrect repair and poor maintenance can shorten the life of the equipment and increase the risk of accidents.
- Before doing any maintenance or repair work or cleaning the equipment, always switch off the motor and remove the spark plug cap or the battery cartridge. Wait until the motor gets cold.
- To reduce the risk of fire, never service the equipment in the vicinity of fire.
- Always wear protective gloves when handling the cutting blade.
- Always clean dust and dirt off the equipment. Never use gasoline, benzine, thinner, alcohol or the like for the purpose. Discoloration, deformation or cracks of the plastic components may result.
- After each use, tighten all screws and nuts, except for the carburetor adjustment screws.

- Do not attempt any maintenance or repair not described in this booklet or the instruction manual of the power unit. Ask Makita authorized service center for such work.
- Always use Makita genuine spare parts and accessories only. Using parts or accessories supplied by a third party may result in the equipment breakdown, property damage and/or serious injury.
- Request Makita authorized service center to inspect and maintain the equipment at regular interval.

### Storage

- Before storing the equipment, perform full cleaning and maintenance. Remove the spark plug cap or the battery cartridge. Drain the fuel after the engine gets cold. Remove the cutting tool.
- If the fuel tank has to be drained, do this outdoors.
- Store the equipment in a dry and high or locked location out of reach of children.
- Do not prop the equipment against something, such as a wall. Otherwise it may fall suddenly and cause an injury.

### First aid

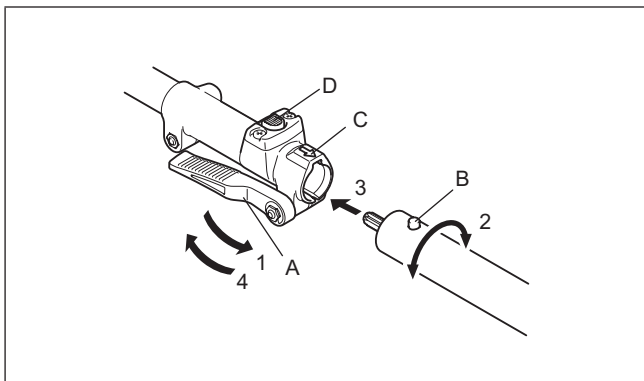
-  Always have a first-aid kit close by. Immediately replace any item taken from the first aid kit.
- When asking for help, give the following information:
  - Place of the accident
  - What happened
  - Number of injured persons
  - Nature of the injury
  - Your name

## Assembly and adjustment

### WARNING:

- Before assembling or adjusting the equipment, switch off the motor and remove the spark plug cap or battery cartridge. Otherwise the cutting tool or other parts may move and result in serious injury.
- Before handling cutting blade, wear protective gloves. During the assembly or adjustment, your fingers may contact with the cutting blade and it may cause serious injury.
- When assembling or adjusting the equipment, always put it down. Assembling or adjusting the equipment in an upright position may result in serious injury.
- Follow the warnings and precautions in the chapter “Safety precautions” and the instruction manual of the power unit.

### Mounting the attachment to a power unit



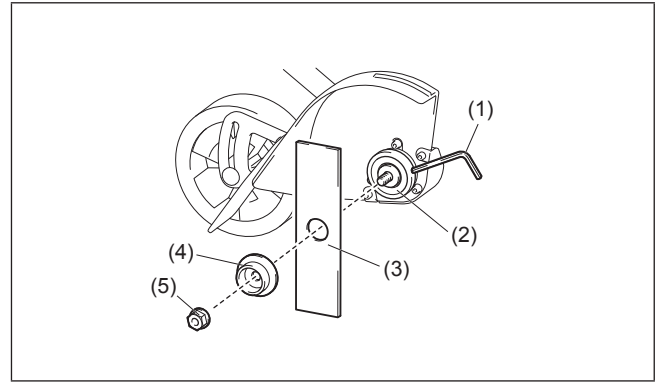
To mount the attachment to a power unit, follow the steps below.

1. Make sure that the lock lever (A) is not tightened.
2. Align the pin (B) with the arrow mark (C).
3. Insert the shaft into the drive shaft of the power unit until the release button (D) pops up.
4. Tighten the lock lever (A) firmly as shown.

To remove the attachment, loosen the lock lever, press the lock button and withdraw the shaft.

**NOTICE:** Do not tighten the lock lever (A) without the shaft of the attachment inserted. Otherwise the lock lever may tighten the entrance of the drive shaft too much and damage it.

### Installing and removing the blade



1. Turn the receive washer (2) so that the hole on the receive washer aligns with the hole on the gear case.
2. Insert the hex wrench (1) through the holes. Make sure the receive washer does not turn.
3. Holding the hex wrench, turn the nut (5) clockwise with using a socket wrench.
4. Remove the nut and the clamp (4).
5. Place the blade (3).
6. Return the clamp and the nut.
7. Holding the hex wrench, turn the nut counterclockwise to fasten the blade.

To remove the blade, perform the above steps in reverse.

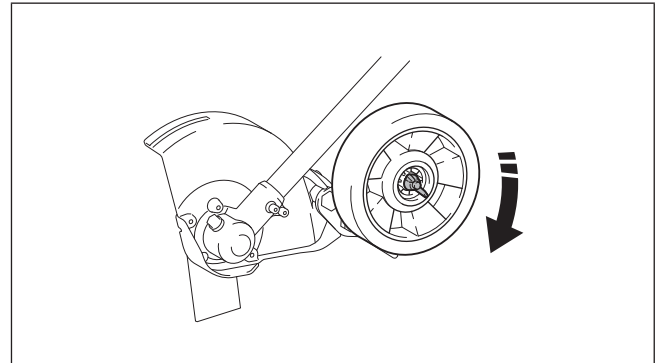
**NOTE:** The cutter blade-fastening nut (with spring washer) wears out in course of time. If there appears any wear or deformation on the nut, replace it.

## Operation

### WARNING:

- If the cutting tool moves at idle, adjust the idle speed of the engine down. Otherwise you cannot stop the cutting tool by throttle off and it may cause serious injury.
- Follow the warnings and precautions in the chapter “Safety precautions” and the instruction manual of the power unit.

### Adjusting the blade depth



- Loosen the nut on the wheel.
- Move the wheel and adjust the height according to the operation, then tighten the nut.

### Operation tips

- Before edging, water the area to soften the ground and make edging easier.
- Before edging, check the area and remove all obstacles and objects that could be thrown.
- Plan to edge regularly to make it easier to keep a neat edge and to avoid having to make more than one pass.

### NOTE:

Blade depth may have to be adjusted due to differences in height between the hard surface and the top of the grass.

- Adjust the blades' depth of cut to produce a fine cut between sidewalk and grass using a minimum blade depth, usually with about 13 mm (1/2") of the blade into the ground.

## Inspection and maintenance

### ⚠ WARNING:

- Before inspecting or maintaining the equipment, switch off the motor and remove the spark plug cap or battery cartridge. Otherwise the cutting tool or other parts may move and result in serious injury.
- When inspecting or maintaining the equipment, always put it down. Assembling or adjusting the equipment in an upright position may result in serious injury.
- Follow the warnings and precautions in the chapter "Safety precautions" and the instruction manual of the power unit.

### Resharpener the cutting tool

### ⚠ WARNING:

Do not sharpen cutting blades by yourself. Manual sharpening unbalances a cutting blade and it can cause vibrations and damage to the equipment.

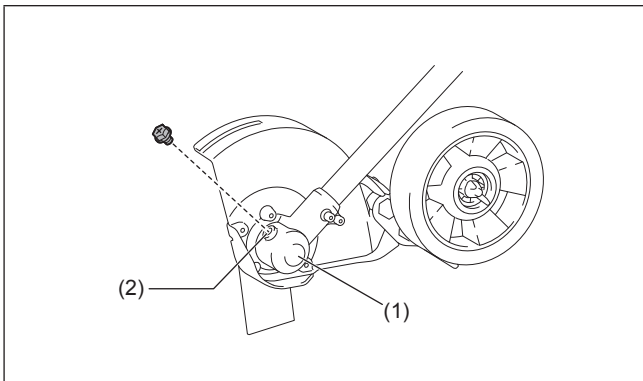
Ask Makita authorized service center to sharpen and rebalance blunt cutter blades.

### Lubricating moving parts

**NOTICE:** Follow the instruction of the frequency and amount of grease supplied. Otherwise insufficient lubrication may damage moving parts.

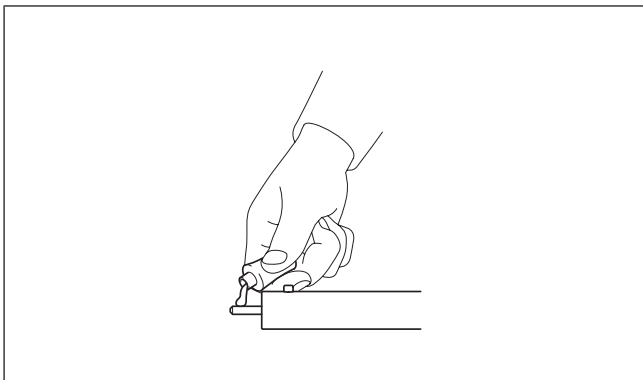
Gear case:

Supply grease (Shell Alvania 2 or equivalent) to the gear case (1) through the grease hole (2) every 30 hours of operation. (Genuine Makita grease may be purchased from your local Makita dealer.)



Drive axle:

Supply grease (Shell Alvania No.2 or equivalent) every 30 hours of operation.



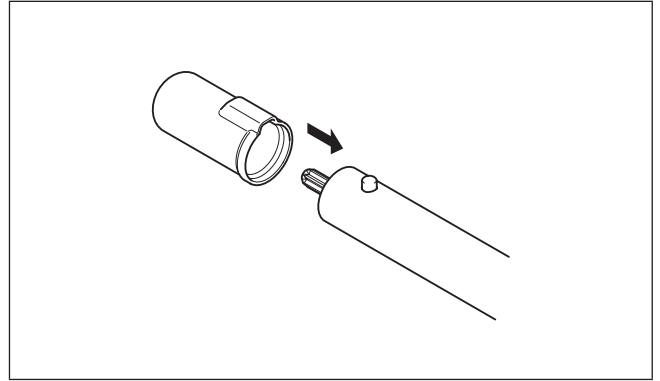
### Overall inspection

- Tighten loose bolts, nuts and screws.
- Check for damaged parts. Ask Makita authorized service center to replace them.

## Storage

### ⚠ WARNING:

Follow the warnings and precautions in the chapter "Safety precautions" and the instruction manual of the power unit.



When storing the edger attachment separated from the power unit, put the cap onto the end of the shaft.

## Maintenance schedule

Operating hour		Before Operation	Daily (10h)	30h	If required	Corresponding page
Whole unit	Visually inspect for damaged parts	○				6
All fixing screws and nuts	Tighten	○				6
Gear case	Supply grease			○		6
Drive axle	Supply grease			○		6
Cutter blade	Visually inspect for damage	○	○			6
Power unit	Refer to the instruction manual of the power unit					

## Troubleshooting

Problem	Probable cause	Solution
The engine does not start.	Refer to the instruction manual of the power unit.	
The engine stops soon after its start.		
The maximum speed is limited.		
The cutting tool does not rotate. → <b>Stop the motor immediately!</b>	The cutting blade is not tightened securely.	Tighten the cutting blade securely.
	A twig is caught between the cutting blade and the protector.	Remove the foreign matter.
	The drive system does not work properly.	Ask Makita authorized service center to inspect and repair it.
The unit vibrates abnormally. → <b>Stop the motor immediately!</b>	The cutting blade is bent, worn or broken.	Replace the cutting blade with new one.
	The cutting blade is not tightened securely.	Tighten the cutting blade securely.
	The cutting blade is not fitted on the receive washer.	Install the cutting blade properly.
	The drive system does not work properly.	Ask Makita authorized service center to inspect and repair it.
The cutting tool does not stop. → <b>Stop the motor immediately!</b>	The power unit does not work properly.	Refer to the instruction manual of the power unit.

## Technical Data

Model		EE400MP
Dimensions (L x W x H)	mm	878 x 131 x 291
Net weight (Not including protector and blade)	kg	2.4
Cutting blade diameter	mm	203
Gear ratio		14/29

## EU Declaration of Conformity

We as the manufacturers **Makita Europe N.V.**  
Business address **Jan-Baptist Vinkstraat 2**  
**3070 Kortenberg**  
**BELGIUM**

Authorize **Kazuhisa Makino** for the compilation of the technical file and declare under our sole responsibility that the product(s);

Designation..... **Edger Attachment**

Designation of Type(s)..... **EE400MP**

Fulfills all the relevant provisions of **2006/42/EC**

and also fulfills all the relevant provisions of the following EC/EU Directives: **2000/14/EC**

and are manufactured in accordance with the following Harmonised Standards: **ISO 11789:1999**

Place and date of declaration: **Kortenberg, Belgium, 28.6.2023**

Responsible person: **Kazuhisa Makino**



**Director - Makita Europe N.V.**

## Declaration of Conformity (For UK)

We as the manufacturers **Makita Europe N.V.**  
Business address **Jan-Baptist Vinkstraat 2**  
**3070 Kortenberg**  
**BELGIUM**

Authorize **Kazuhisa Makino** for the compilation of the technical file and declare under our sole responsibility that the product(s);

Designation..... **Edger Attachment**

Designation of Type(s)..... **EE400MP**

Fulfills all the relevant provisions of **S.I. 2008/1597 (as amended)**

and also fulfills all the relevant provisions of the following UK Regulations: **S.I. 2001/1701 (as amended)**

and are manufactured in accordance with the following Designated Standards: **ISO 11789:1999**

Place and date of declaration: **Kortenberg, Belgium, 28.6.2023**

Responsible person: **Kazuhisa Makino**



**Director - Makita Europe N.V.**

Importer: Makita (UK) Limited, Michigan Drive, Tongwell, Milton Keynes, Buckinghamshire, MK15 8JD, UK

**Innehåll**

	<b>Sidan</b>
Innehåll .....	9
Förord .....	9
Symboler .....	9
Godkänd maskin.....	10
Beskrivning av delar .....	10
Säkerhetsföreskrifter .....	10
Montering och justering .....	12
Arbetsteknik.....	12
Kontroll och underhåll.....	13
Förvaring .....	13
Underhållsschema .....	14
Felsökning .....	14
Teknisk data.....	14
EU-försäkran om överensstämmelse .....	15

**Förord**

Tack för att du valde Makitas kantskärartillsats. Denna tillsats är konstruerad för att monteras på maskinen från Makita som nämns i denna bruksanvisning.

Läs igenom denna handbok och bruksanvisningen för maskinen före användning. Genom att noga följa dessa anvisningar får du bästa möjliga nytta av din Makita kantskärartillsats och kan hantera den på säkraste sätt.

**Symboler**

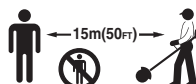
Följande symboler används på tillsatsen och i denna bruksanvisning. Se till att du förstår definitionerna.



Var särskilt försiktig och uppmärksam.



Läs bruksanvisningen.



Håll arbetsområdet fritt från personer



Använd skyddsglasögon och hörselskydd.



Använd skyddshandskar.



Använd kraftiga stövlar med halkfri sula. Skyddsstövlar med stålförstärkt tåhätta rekommenderas.



Förbjudet!



Första hjälpen

## Godkänd maskin

Denna tillsats är godkänd att användas endast med följande maskin(er):

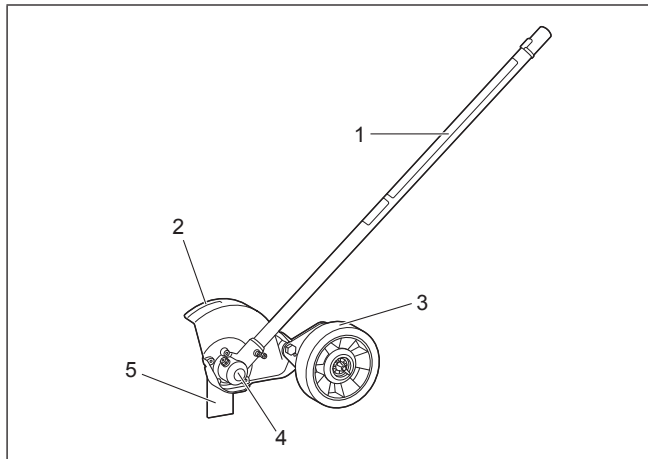
**EX2650LH Multifunktionellt verktygshuvud**  
**BUX360, BUX361, BUX362, UX360D, UX361D, UX362D, DUX60, DUX18, UX01G**

**Sladdlöst multifunktionellt verktygshuvud**

### ⚠ VARNING:

Använd aldrig tillsatsen med icke godkänd maskin. Icke godkänd kombination kan orsaka allvarlig skada.

## Beskrivning av delar



Siffrorna nedan hänvisar till figuren.

1. Skaft
2. Skärbladsskydd
3. Hjul
4. Växellåda
5. Skärblad

## Säkerhetsföreskrifter

### ⚠ VARNING:

Läs igenom alla säkerhetsvarningar och alla anvisningar i denna handbok och i bruksanvisningen för maskinen. Underlåtenhet att följa varningar och anvisningar kan leda till elektriska stötar, brand och/eller allvarliga skador.

Spara alla varningar och anvisningar för framtida bruk.

Termen "kantskärare" och "utrustning" under varningar och försiktighet refererar till kombinationen av tillsatsen och maskinen. Termen "motor" under varningar och försiktighetsåtgärder refererar till motorn eller maskinens elektriska motor.

### Avsedd användning

- Denna utrustning är endast avsedd för kantskärning av gräsmatta tillsammans med en godkänd maskin. Använd aldrig tillsatsen för andra ändamål. Att hantera tillsatsen fel kan orsaka allvarlig skada.

### Allmänna försiktighetsåtgärder

- Läs igenom denna handbok och bruksanvisningen för maskinen för att bli förtrogen med hanteringen av kantskäraren innan du börjar använda den.
- Låna inte ut tillsatsen till en person som inte har tillräcklig erfarenhet eller kunskap om hantering av maskinen.
- Lämna alltid över denna bruksanvisning när du lånar ut tillsatsen.
- Tillåt inte barn eller yngre personer under 18 år att använda maskinen. Håll maskinen utom räckhåll för dem.
- Använd maskinen med största försiktighet och uppmärksamhet.
- Använd aldrig maskinen efter intag av alkohol eller droger, eller om du känner dig trött eller sjuk.

- Glöm inte att användaren är ansvarig för olyckor eller fara gentemot andra personer och deras egendom.
- Försök under inga omständigheter att modifiera tillsatsen.
- Följ föreskrifterna om hantering av utrustningen i ditt land.

### Personlig skyddsutrustning

- Använd skyddshjälm, skyddsglasögon och skyddshandskar för att skydda dig mot flygande material eller fallande föremål.



- Använd hörselskydd som t.ex. hörselkåpor för att undvika hörselskador.
- Använd lämplig klädsel och skor för säker användning såsom arbetsoverall och kraftiga skor med halkfri sula. Använd inte löst sittande kläder eller smycken. Löst sittande kläder, smycken eller långt hår kan fastna i de rörliga delarna.
- Använd skyddshandskar när du tar i skärbladet. Skärbladet kan allvarligt skära oskyddade händer.

### Säkerhet på arbetsplatsen

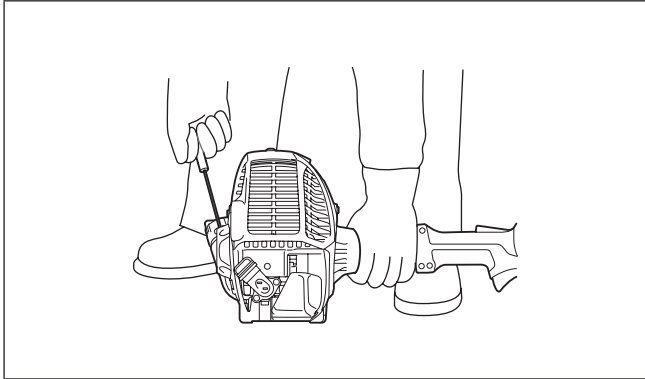
- Använd utrustningen endast under goda ljusförhållanden och i dagsljus. Arbeta inte med utrustningen i mörker eller dimma.
- Starta och kör endast motorn utomhus på en välventilerad plats. Att arbeta i ett begränsat eller dåligt ventilerat område kan leda till dödsfall på grund av kvävning eller kolmonoxidförgiftning.
- Stå aldrig på ett instabilt eller halt underlag eller i en sluttning under användningen. Var observant på is och snö under vintersäsongen och se till att du alltid står stadigt.
- Håll åskådare och djur på minst 15 m avstånd från maskinen under användningen. Stanna motorn så fort någon närmar sig.
- Undersök arbetsområdet före användningen så att det inte finns stenar eller andra solida föremål. De kan kastas iväg eller orsaka farliga bakåtkast vilket leder till allvarlig olycka och/eller skada på egendom.
- ⚠ VARNING: När denna produkt används kan damm som innehåller kemikalier skapas vilket kan ge andningssjukdomar eller andra sjukdomar. Några exempel på dessa kemikalier är sammansättningar som hittas i bekämpningsmedel, insektsmedel och växtgift. Risken vid exponering för dessa kemikalier varierar beroende på hur ofta du utför denna typ av arbete. För att minska exponering för dessa kemikalier: arbeta i ett välventilerat område och med godkänd säkerhetsutrustning, som exempelvis dammask som är speciellt konstruerad för att filtrera bort mikroskopiska partiklar.

### Förberedelser inför användning

- Stäng av motorn och ta bort tändhatten eller batterikassetten innan du monterar eller justerar utrustningen.
- Använd skyddshandskar när du tar i skärbladet.
- Kontrollera utrustningen så att den inte är skadad, har lösa skruvar/uttrar eller är felaktigt monterad innan du startar motorn. Om skärbladet är böjt eller skadat ska det bytas ut. Kontrollera att alla kontrollspakar och brytare fungerar korrekt. Rengöra och torka handtagen.
- Försök aldrig att starta motorn om utrustningen är skadad eller inte helt monterad. I annat fall kan det resultera i allvarlig skada.
- Justera axelremmen och handgreppet så att de passar användarens kroppsstorlek.

## Starta motorn

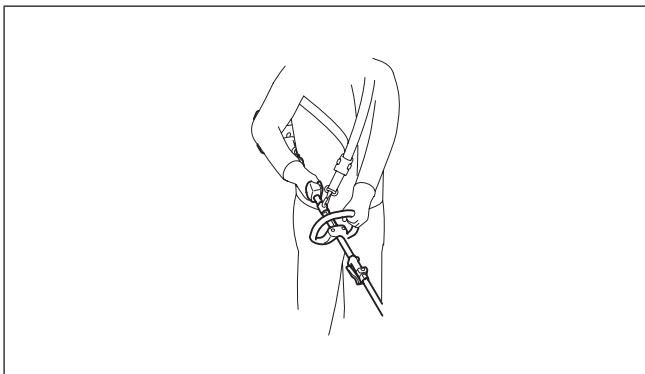
- Bär den personliga utrustningen innan du startar motorn.
- Starta motorn minst 3 meter (10 fot) bort från platsen för tankningen.
- Se till att det inte finns några personer eller djur i arbetsområdet innan du startar motorn.
- Håll skärverktyget bort från kroppen och andra föremål, inklusive marken, när du startar motorn eller sätter i batterikassetten. Det kan rotera vid start och orsaka allvarlig skada eller skada maskinen och/eller egendom.
- Placera utrustningen på fast mark. Behåll god balans och stå stadigt.
- Håll maskinen stadigt mot marken med din vänstra hand när du drar i starthandtaget. Trampa aldrig på maskinens drivaxel.



- Följ bruksanvisningen för maskinen för att starta motorn.
- Stanna motorn och ställ ner tomgången om skärverktyget roterar under tomgång.

## Arbetsteknik

- Stäng genast av motorn i ett nödläge.
- Stäng av motorn om du känner att något är fel (t.ex. buller, vibrationer) under arbetet. Använd inte utrustningen förrän du vet orsaken och har åtgärdat den.
- Skärverktyget fortsätter att rotera en kort stund efter att du släppt gasen eller stängt av motorn. Skynda dig inte att röra vid skärverktyget.
- Fäst axelremmen endast när motorn går på tomgång.
- Använd axelremmen under arbetet. Håll utrustningen stadigt på din högra sida.



- Håll det främre handtaget med vänster hand och det bakre greppet med höger hand, oavsett om du är höger- eller vänsterhänt. Omslut dina fingrar och tummar runt handtagen.
- Försök aldrig att använda utrustningen med en hand. Att förlora kontrollen kan leda till allvarlig skada eller dödsfall. Håll borta dina händer och fötter från skärverktyget för att minska risken för skada.
- Luta dig inte över maskinen när du använder den. Stå alltid stabilt och ha god balans. Se upp för dolda hinder såsom trädstubbar, rötter och diken för att undvika att snubbla.
- Stå aldrig och arbeta på en stege eller i ett träd, för att undvika att förlora kontrollen.
- Kontrollera utrustningen innan du fortsätter att arbeta igen om den slagit emot något hårt eller ramlat ned. Kontrollera bränslesystemet så att inte bränsleläckage uppstått samt kontrollerna och säkerhetsenheterna för felfunktion. Om det finns

- någon skada eller tveksamhet ska du be Makita auktoriserade servicecenter om kontroll och reparation.
- Rör inte växellådan. Växellådan blir varm under användningen.
- Ta en paus för att förebygga trötthet och förlorad kontroll. Vi rekommenderar en paus på 10 till 20 minuter varje timma.
- Stäng alltid av motorn eller ta bort batterikassetten när du lämnar utrustningen även om det bara är en kort stund. I annat fall kan en obehörig person använda utrustningen och orsaka en allvarlig olycka.
- Följ bruksanvisningen för denna maskin för rätt användning av kontrollspaken och brytaren.
- Placera inte den varma utrustningen på torrt gräs eller brännbart material under eller efter användning.
- Om gräs eller grenar fastnar mellan skärverktyget och skyddet ska du alltid stoppa motorn och ta bort tändhatten eller batterikassetten före rengöring. I annat fall kan skärblad oavsiktligt rotera vilket kan orsaka allvarlig skada.
- Stäng omedelbart av motorn och kontrollera skärverktyget om det har slagit i stenar eller andra hårda föremål.
- Kontrollera skärverktyget regelbundet under arbetet så att det inte har uppstått sprickor eller att det är skadat. Stäng av motorn och vänta tills skärverktyget har stannat helt innan du utför kontrollen. Byt genast ut ett skadat skärverktyg även om det endast har ytliga sprickor.
- Skär aldrig över midjehöjd.
- Vänta tills skärverktyget når en konstant hastighet efter att du har tryckt in avtryckaren innan du börjar använda maskinen.
- Se alltid till att ha bra fotfäste på sluttningar.
- Gå, spring aldrig.
- Var särskilt försiktig när du vänder eller drar kantskäraren emot dig.
- Kontrollera att skärbladet har stannat innan du korsar andra ytor än gräs och när du transporterar kantskäraren till och från området som kantskärs.
- Stäng alltid av motorn när du lämnar kantskäraren.

## Skärverktyg

- Använd aldrig olämpliga skärblad inklusive flerlänkade metallkedjor eller slungknivar. Det kan resultera i allvarliga skador.
- Använd alltid det avsedda skyddet för det skärverktyg som används.

## Vibration

- Personer med cirkulationsrubbingar som utsätts för kraftiga vibrationer kan drabbas av blodutgjutningar eller skador på nervsystemet. Vibrationer kan orsaka följande symptom i fingrar, händer och handleder: "Somningar" (domningar), krypningar, smärtor, stickningar, färgförändringar i huden och hudförändringar. Uppsök läkare om du drabbas av något av dessa symptom!
- För att minska risken för "vita fingrar" skall du hålla händerna varma under arbetet samt hålla utrustningen och tillbehören i gott skick.

## Transport

- Stäng av motorn och ta bort tändhatten eller batterikassetten innan du transporterar utrustningen. Avlägsna skärverktyget.
- Bär utrustningen i horisontalt läge genom att hålla i skaftet när du transporterar den. Håll den varma ljuddämparen bort från kroppen.
- Fäst utrustningen ordentligt vid transport i ett fordon så att den inte välter. I annat fall kan det resultera i bränsleläckage och skada på utrustningen samt annat bagage.

## Underhåll


- Låt din utrustning servas av vårt auktoriserade servicecenter som alltid använder originalreservdelar. Felaktig reparation och dåligt underhåll kan förkorta utrustningens livslängd och öka risken för olyckor.
- Stäng alltid av motorn och ta bort tändhatten eller batterikassetten innan du utför något underhåll eller reparationsarbete eller rengör utrustningen. Vänta tills motorn är kall.
- Serva aldrig utrustningen i närheten av öppen eld för att minska risken för brand.
- Använd alltid skyddshandskar när du hanterar skärbladet.

- Rengör alltid utrustningen från damm och smuts. Använd inte bensin, thinner, alkohol eller liknande för ändamålet. Missfärgning och deformation av eller sprickor i plastkomponenterna kan uppstå.
- Dra åt alla skruvar och muttrar, förutom justeringskruvarna för förgasaren, efter varje användning.
- Gör inga försök till något underhåll eller någon reparation som inte har beskrivits i denna handbok eller i bruksanvisningen för maskinen. Be Makita auktoriserade servicecenter att utföra sådant arbete.
- Använd endast originalreservdelar och tillbehör från Makita. Om delar eller tillbehör från en tredje part används kan resultera i att utrustningen går sönder, skada på egendom och/eller allvarlig personskada.
- Be Makita auktoriserade servicecenter att kontrollera och utföra underhåll på utrustningen regelbundet.

## Förvaring

- Utför helrengöring och underhåll på utrustningen innan du förvarar den. Ta bort tändhatten eller batterikassetten. Töm ut bränslet efter att motorn kallnat. Avlägsna skärverktyget.
- Om bränsletanken måste tömmas skall det göras utomhus.
- Förvara utrustningen på en torr, hög eller låst plats utom räckhåll för barn.
- Luta inte utrustningen mot något, såsom en vägg. I annat fall kan den plötsligt falla ner och orsaka skada.

## Första hjälpen

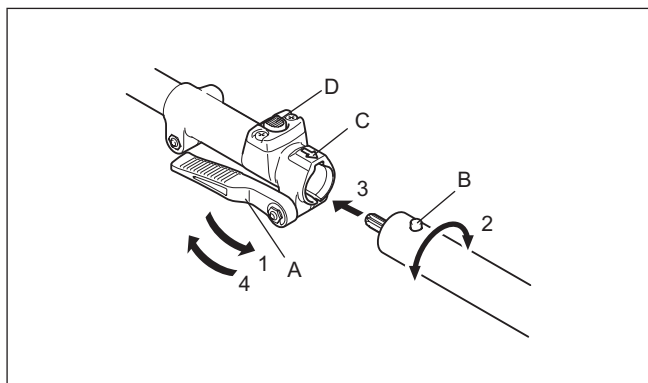
-  Ha alltid en förstahjälpväska i närheten. Se till att den alltid hålls komplett.
- Ange följande information när du ber om hjälp:
  - Platsen för olyckan
  - Vad som hänt
  - Antal skadade personer
  - Skadans natur
  - Ditt namn

## Montering och justering

### VARNING:

- Stäng av motorn och ta bort tändhatten eller batterikassetten innan du monterar eller justerar utrustningen. I annat fall kan skärverktyget eller andra delar röra sig och orsaka allvarlig skada.
- Ta på dig skyddshandskar innan du tar i skärbladet. Under monteringen eller justeringen kan dina fingrar komma i kontakt med skärbladet vilket kan orsaka allvarlig skada.
- Lägg alltid ner utrustningen när du ska montera eller justera den. Att montera eller justera utrustningen i ett upprätt läge kan resultera i allvarlig skada.
- Följ varningar och försiktighetsåtgärder i kapitlet "Säkerhetsföreskrifter" och i bruksanvisningen för maskinen.

## Montering av tillsatsen på en maskin



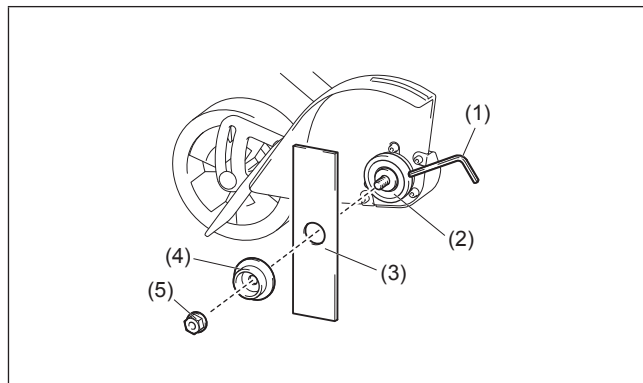
Följ stegen nedan för att montera tillsatsen på maskinen.

1. Se till att låsspaken (A) inte är åtdragen.
2. Rikta in stiftet (B) med pilmarkeringen (C).
3. Sätt i skaftet i maskinens drivaxel tills utlösningssknappen (D) poppar upp.
4. Dra åt låsspaken (A) ordentligt, enligt figuren.

Lossa låsspaken, tryck in låsknappen och dra ut skaftet för att ta bort tillsatsen.

**OBSERVERA:** Dra inte åt låsspaken (A) utan att tillsatsens skaft är isatt. Annars kan låsspaken dra åt drivaxelns öppning för mycket och skada den.

## Sätta fast eller ta bort skärbladet



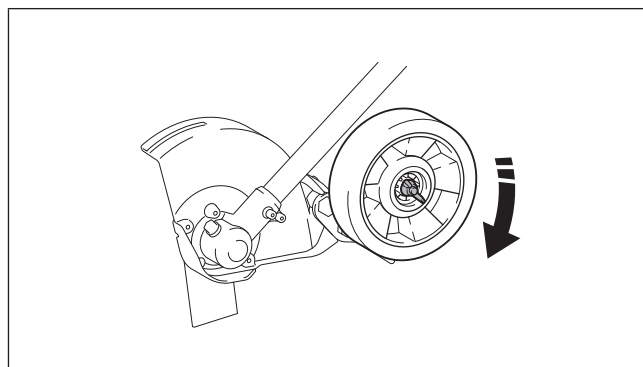
1. Vrid mottagarbrickan (2) så att hålet på denna är i linje med hålet på växellådan.
  2. För in insexnyckeln (1) genom hålen. Kontrollera att mottagarbrickan inte vrider på sig.
  3. Håll i insexnyckeln och vrid muttern (5) medurs med hjälp av en hylsnyckel.
  4. Ta bort muttern och klämman (4).
  5. Placera skärbladet (3).
  6. Sätt tillbaka klämman och muttern.
  7. Håll i insexnyckel och vrid muttern moturs för att fästa skärbladet. För att avlägsna skärbladet utför stegen ovan i omvänd ordning.
- OBS:** Fästmuttern till skärbladet (med fjäderbricka) slits ut med tiden. Om muttern uppvisar tecken på slitage eller deformation ska den bytas ut.

## Arbetsteknik

### VARNING:

- Ställ ner tomgången om skärverktyget rör sig under tomgång. I annat fall kan du inte stoppa skärverktyget med gasreglaget och det kan orsaka allvarlig skada.
- Följ varningar och försiktighetsåtgärder i kapitlet "Säkerhetsföreskrifter" och i bruksanvisningen för maskinen.

## Inställning av skärbladets djup



- Lossa muttern på hjulet.
- Flytta hjulet och justera höjden beroende på användningen, dra sedan åt muttern.

## Användningstips

- Innan kantskärning kan du vattna området för att mjuka upp marken och på så sätt gör kantskärningen lättare.
- Innan kantskärning, kontrollera området och ta bort alla hinder och föremål som kan kastas.
- Planera att kantskära regelbundet för att göra det lättare att hålla en snygg kant och för att undvika att behöva gå över området mer än en gång.

### OBS:

Skärbladets djup kan behöva justeras på grund av skillnader i höjd mellan den hårda ytan och den övre delen av gräset.

- Justera skärbladets djup för att få ett fint snitt mellan gången och gräset med ett minimalt bladdjup, vanligen med cirka 13 mm (1/2 tum) av skärbladet i marken.

## Kontroll och underhåll

### ⚠ VARNING:

- Stäng av motorn och ta bort tändhatten eller batterikassetten innan du kontrollerar eller utför underhåll på utrustningen. I annat fall kan skärverktyget eller andra delar röra sig och orsaka allvarlig skada.
- Lägg alltid ned utrustningen vid kontroll eller underhåll av den. Att montera eller justera utrustningen i ett upprätt läge kan resultera i allvarlig skada.
- Följ varningar och försiktighetsåtgärder i kapitlet "Säkerhetsföreskrifter" och i bruksanvisningen för maskinen.

## Skärning av skärverktyg

### ⚠ VARNING:

Slipa inte skärblad själv. Manuell slipning ger obalans i skärbladet och det kan orsaka vibrationer och skada utrustningen.

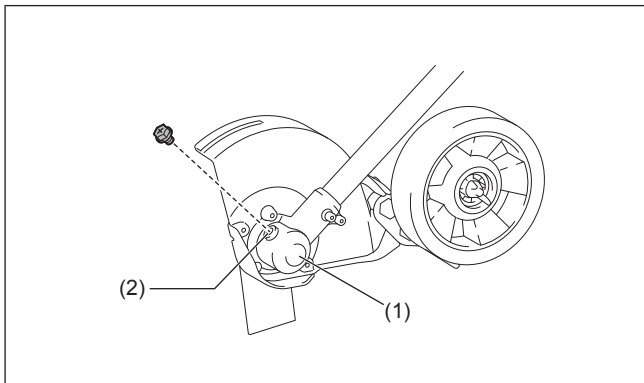
Be ett Makita auktoriserade servicecenter att slipa och balansera slöa skärblad.

## Smörjning av rörliga delar

**OBSERVERA:** Följ anvisningarna för smörjfrekvens och fettmängd. Otillräcklig smörjning kan annars skada de rörliga delarna.

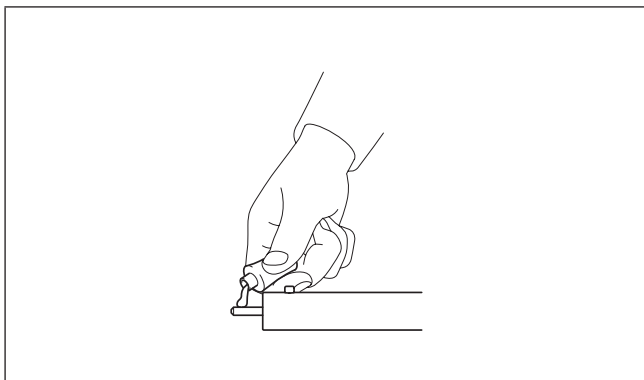
Växellåda:

Fyll på med smörjfett (Shell Alvania 2 eller liknande) i växellådan (1) genom hålet för smörjfett (2) var 30:e drifttimma. (Smörjfett från Makita kan köpas från din lokala Makita-leverantör.)



Drivaxel:

Tillsätt smörjfett (Shell Alvania Nr. 2 eller liknande) var 30:e drifttimma.



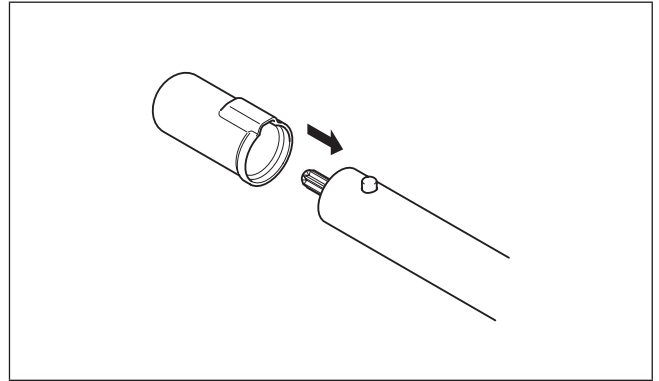
## Övergripande kontroll

- Dra åt lösa bultar, muttrar och skruvar.
- Titta efter skadade delar. Be Makita auktoriserade servicecenter att byta ut dem.

## Förvaring

### ⚠ VARNING:

Följ varningar och försiktighetsåtgärder i kapitlet "Säkerhetsföreskrifter" och i bruksanvisningen för maskinen.



Sätt på locket på skaftänden när kantskärartillsatsen skall förvaras separat från maskinen.

## Underhållsschema

Drifttimma		Före användning	Dagligen (10 tim)	30 tim	Vid behov	Motsvarande sida
Hela enheten	Visuell kontroll efter skadade delar	○				13
Alla fästsruvar och muttrar	Dra åt	○				13
Växellåda	Påfyllning av smörjfett			○		13
Drivaxel	Påfyllning av smörjfett			○		13
Skärblad	Visuell kontroll efter skada	○	○			13
Maskin	Se bruksanvisningen för maskinen					

## Felsökning

Problem	Möjlig orsak	Åtgärd
Motorn startar inte.	Se bruksanvisningen för maskinen.	
Motorn stannar strax efter att den startat.		
Maximalhastigheten är begränsad.		
Skärverktyget roterar inte. → <b>Stanna motorn omedelbart!</b>	Skärbladet sitter inte fast ordentligt.	Fäst skärbladet ordentligt.
	En kvist har fastnat mellan skärbladet och skyddet.	Ta bort främmande material.
	Drivsystemet fungerar inte korrekt.	Be Makita auktoriserade servicecenter att kontrollera och reparera det.
Maskinen vibrerar onormalt. → <b>Stanna motorn omedelbart!</b>	Skärbladet är böjt, slitet eller trasigt.	Byt ut skärbladet mot ett nytt.
	Skärbladet sitter inte fast ordentligt.	Fäst skärbladet ordentligt.
	Skärbladet är inte fäst på mottagarbrickan.	Montera skärbladet korrekt.
	Drivsystemet fungerar inte korrekt.	Be Makita auktoriserade servicecenter att kontrollera och reparera det.
Skärverktyget stannar inte. → <b>Stanna motorn omedelbart!</b>	Maskinen fungerar inte korrekt.	Se bruksanvisningen för maskinen.

## Teknisk data

Modell		EE400MP
Mått (L x B x H)	mm	878 x 131 x 291
Nettovikt (Inkluderar inte skyddet och skärbladet)	kg	2,4
Skärbladets diameter	mm	203
Kuggutväxling		14/29

## EU-försäkran om överensstämmelse

Vi som tillverkare  
Företagsadress

**Makita Europe N.V.**  
**Jan-Baptist Vinkstraat 2**  
**3070 Kortenberg**  
**BELGIEN**

Auktoriserar **Kazuhisa Makino** för sammansättningen av den tekniska filen och deklarerar på eget ansvar att produkten/produkterna;

Beteckning..... **Kantskärartillsats**

Typbeteckning(ar)..... **EE400MP**

Uppfyller alla relevanta bestämmelser i **2006/42/EG**

och även uppfyller alla relevanta bestämmelser i följande EG/EU-direktiv: **2000/14/EG**

och tillverkas i enlighet med följande harmoniserande standarder: **ISO 11789:1999**

Ort och datum för deklARATIONEN: **Kortenberg, Belgien, 28.6.2023**

Ansvarig person: **Kazuhisa Makino**



**Direktör - Makita Europe N.V.**

**Innhold**

	<b>Side</b>
Innhold.....	16
Forord.....	16
Symboler .....	16
Godkjent drivverk.....	17
Beskrivelse av deler .....	17
Forholdsregler for sikkerhet.....	17
Montering og justering.....	19
Drift.....	19
Inspeksjon og vedlikehold .....	20
Lagring.....	20
Vedlikeholdsplan.....	21
Feilsøking .....	21
Tekniske data.....	21
EUs samsvarserklæring .....	22

**Forord**

Takk for at du valgte Makita kantutstyr. Dette utstyret er utviklet for å monteres på det drivverket fra Makita som er nevnt i denne bruksanvisningen.

Les dette heftet og bruksanvisningen til drivverket før du bruker utstyret. Dette vil gjøre det enklere for deg å oppnå best mulige resultater med Makita kantutstyr.

**Symboler**

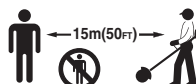
Følgende symboler er brukt på utstyret og i denne bruksanvisningen. Sørg for at du forstår disse definisjonene.



Vær ekstra forsiktig.



Les bruksanvisningen.



Hold arbeidsområdet fritt for personer



Bruk vernebriller og hørselsvern.



Bruk vernehansker.



Bruk robust fottøy med såler som gir godt feste. Vernesko med stålkappe anbefales.



Forbudt!



Førstehjelp

## Godkjent drivverk

Dette utstyret er kun godkjent for bruk med følgende drivverk:

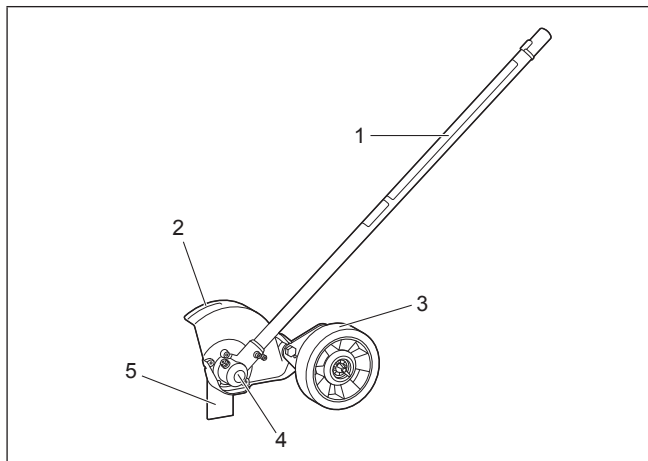
**EX2650LH Flerfunksjonelt motorhode**  
**BUX360, BUX361, BUX362, UX360D, UX361D, UX362D, DUX60,**  
**DUX18, UX01G**

Trådløst, flerfunksjonelt motorhode

### ⚠ ADVARSEL:

Bruk aldri utstyret sammen med ikke-godkjent drivverk.  
Ikke-godkjent kombinasjon kan forårsake personskade.

## Beskrivelse av deler



Tallene under refererer til figuren.

1. Aksel
2. Bladhus
3. Hjul
4. Girkasse
5. Blad

## Forholdsregler for sikkerhet

### ⚠ ADVARSEL:

Les alle sikkerhetsadvarslene og instruksjonene i dette heftet samt bruksanvisningen til drivverket. Hvis du ikke følger alle advarslene og instruksjonene, kan det føre til elektrisk støt, brann og/eller alvorlige personskader.

Oppbevar alle advarsler og instruksjoner for senere bruk.

Begrepe "kantklipper" og "utstyr" i advarslene og forholdsreglene refererer til kombinasjonen av utstyret og drivverket.

Begrepet "motor" i advarslene og forholdsreglene, refererer til motoren eller elektrisk motor for drivverket.

### Riktig bruk

- Dette utstyret er kun tiltenkt kantklipping av plenen sammen med et godkjent drivverk. Dette utstyret må aldri brukes til andre formål. Misbruk av utstyret kan forårsake alvorlig personskade.

### Generelle forholdsregler

- Les dette heftet og bruksanvisningen til drivverket for å bli kjent med håndteringen av utstyret før det tas i bruk.
- Ikke lån ut utstyret til en person som ikke har tilstrekkelig erfaring eller kunnskap om hvordan utstyret håndteres.
- Ved utlån av utstyret, legg alltid ved denne bruksanvisningen.
- La ikke barn eller ungdom under 18 år bruke utstyret. Hold dem unna utstyret.
- Utstyret må håndteres med største forsiktighet og oppmerksomhet.
- Bruk aldri utstyret under påvirkning av alkohol eller legemidler, eller hvis du er trett eller føler deg dårlig.
- Husk at operatøren eller brukeren er ansvarlig for ulykker eller faresituasjoner som kan oppstå for andre personer eller på deres eiendom.

- Forsøk aldri å modifisere utstyret.
- Følg forskriftene som gjelder i ditt land angående håndtering av utstyret.

### Personlig verneutstyr

- Bruk sikkerhetshjelm, vernebriller og vernehansker for å beskytte deg selv mot flygende gjenstander eller fallende objekter.



- Bruk hørselsvern, f.eks. øreklokker, for å forebygge hørselstap.
- Bruk relevante klær og sko for sikkert arbeid, som f.eks. arbeidsoverall og robuste, sklisikre sko. Ikke bruk løse klær eller smykker. Løse klær, smykker eller langt hår kan sette seg fast i bevegelige deler.
- Bruk alltid vernehansker når du berører skjærebladet. Skjæreblader kan føre til alvorlige kuttskader på ubeskyttede hender.

### Sikkerhet på arbeidsplassen

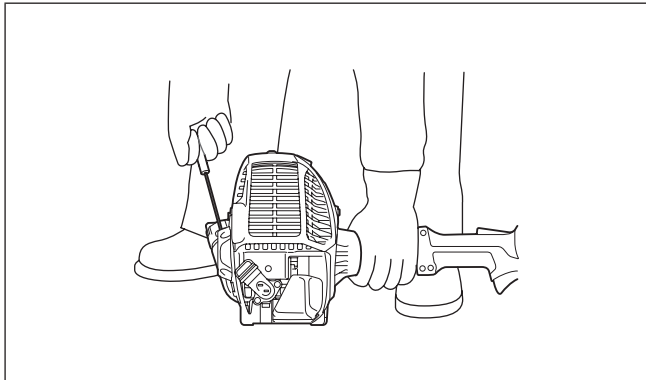
- Bruk utstyret kun i dagslys og når sikten er god. Ikke bruk utstyret i mørke eller tåke.
- Start opp og bruk motoren kun utendørs i et godt ventilert område. Bruk på et lukket område med lite ventilasjon kan føre til død på grunn av kvelning eller karbonmonoksid-forgiftning.
- Stå aldri på ustøtt eller glatt underlag eller i en bratt skråning mens du arbeider. Vær oppmerksom på is og snø i den kalde årstiden, og sørg alltid for at du har sikkert fotfeste.
- Andre personer eller dyr må holdes på minst 15 meters avstand når utstyret er i bruk. Stans motoren umiddelbart så snart noen nærmer seg.
- Undersøk området for steiner og andre harde gjenstander før du begynner å bruke skogsrydderen. De kan slynges utover eller forårsake farlige tilbakeslag og føre til alvorlige personskader og/eller skader på eiendom.
- ⚠ ADVARSEL: Når dette produktet brukes, kan det utvikle seg støv som inneholder kjemiske stoffer som kan føre til åndedrettsproblemer eller andre helseproblemer. Noen eksempler på disse kjemiske stoffene finnes i pesticider, insektmidler, gjødsel og herbicider. Hvor stor risiko det er for at du eksponeres for disse stoffene, avhenger av hvor ofte du utfører denne typen arbeid. Slik kan du redusere faren for å eksponeres for disse kjemiske stoffene: jobb i et godt ventilert område, og bruk godkjent verneutstyr, som f. eks. støvmasker som er spesialkonstruerte til å filtrere ut mikroskopiske partikler.

### Oppstart

- Før du monterer eller justerer utstyret, må du slå av motoren og fjerne tennpluggen eller batterikassetten.
- Bruk alltid vernehansker når du skal håndtere skjærebladet.
- Kontroller utstyret for skader, løse skruer/muttere eller uriktig montering før du starter motoren. Hvis skjærebladet er bøyd eller ødelagt, skift det ut. Kontroller at alle kontrollspaker og brytere lar seg enkelt betjene. Rengjør og tork håndtakene.
- Du må aldri forsøke å starte motoren hvis utstyret er ødelagt eller ikke fullstendig montert. Ellers kan det oppstå alvorlig personskade.
- Tilpass skuldersele og håndtaksgrep slik at de passer til brukerens kropp.

## Starte motoren

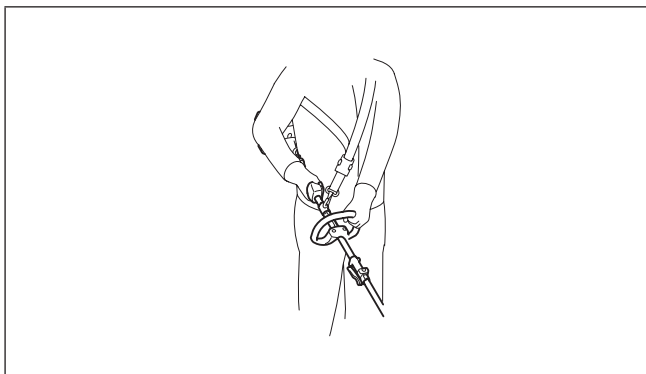
- Ta på personlig verneutstyr før du starter motoren.
- Start motoren minst 3 meter (10 fot) borte fra det stedet du fylte drivstoff.
- Forsikre deg om at det ikke befinner seg personer eller dyr i arbeidsområdet før du starter motoren.
- Hold skjæreverktøyet borte fra kroppen eller fra andre objekter, inkludert bakken, når du starter motoren eller legger i en batterikassett. Det kan rotere under oppstarten og føre til alvorlig personskade eller skade på utstyret og/eller eiendom.
- Plasser utstyret på stabil bakke. Hold god balanse og ha sikkert fotfeste.
- Når du trekker i starthåndtaket, holder du drivverket fast mot bakken med venstre hånd. Du må aldri sette foten på drivakselen til drivverket.



- Følg bruksanvisningen til drivverket for hvordan du starter motoren.
- Hvis skjæreverktøyet roterer på tomgang, stans motoren og juster ned tomgangshastigheten.

## Drift

- I et nødstilfelle skal motoren slås av øyeblikkelig.
- Hvis du opplever noe uvanlig (f.eks. støy, vibrasjon) under driften, slå av motoren. Ikke bruk utstyret før årsaken er funnet og rettet opp.
- Skjæreverktøyet fortsetter å rotere en liten stund etter at gasshendelen slippes eller motoren slås av. Vent litt før du berører skjæreverktøyet.
- Når motoren kjører på tomgang, setter du på deg skulderselen.
- Bruk skulderselen under utføringen av arbeidet. Hold utstyret fast på din høyre side.



- Hold fremre håndtak med venstre hånd og det bakre grepet med høyre hånd, uansett om du er høyre- eller venstrehendt. Krum fingre og tommel rundt håndtakene.
- Du må aldri prøve å bruke utstyret med bare en hånd. Tap av kontroll kan føre til alvorlig eller livstruende personskade. Hold hender og føtter borte fra skjæreverktøyet for å redusere risikoen for personskade.
- Ikke len deg over verktøyet. Pass alltid på at du holder balansen og har godt fotfeste. Hold utkikk etter skjulte gjenstander, som f.eks. stubber, røtter og grøfter, for å unngå snubling.
- Du må aldri arbeide fra et tre eller en stige, dette kan føre til at du mister kontrollen.
- Hvis utstyret blir utsatt for kraftig støt eller fall, kontroller tilstanden før arbeidet fortsettes. Kontroller drivstoffsystemet for lekkasje og at kontroll- og sikkerhetsinnretningene fungerer

- korrekt. Hvis utstyret er skadet eller du er i tvil, kontakt et Makita- autorisert servicesenter for inspeksjon og reparasjon.
- Ikke berør girakselen. Girakselen blir varm under arbeidet.
- Ta pauser for å unngå at du mister kontrollen på grunn av tretthet. Vi anbefaler at du tar en pause på 10-20 minutter hver time.
- Når du legger fra deg utstyret, selv for et kort tidsrom, må du alltid slå motoren av eller fjerne batterikassetten. Utstyr med motoren på som ikke er under oppsikt kan komme ikke-autoriserte personer i hende, og resultatet kan bli alvorlige ulykker.
- Følg bruksanvisningen for drivverket for korrekt bruk av kontrollspaker og bryter.
- Ikke legg det varme utstyret på tørt gress eller lettantennelige materialer verken under eller etter arbeidet.
- Hvis gress eller grener blir sittende fast mellom trådkutteren og skjæreverktøysbeskyttelsen, må du alltid stoppe motoren og ta av tennpluggkappen eller batterikassetten før du prøver å fjerne disse. Utsiktet rotasjon av bladet kan ellers forårsake alvorlig helseskade.
- Hvis skjæreverktøyet treffer steiner eller andre harde gjenstander, må du omgående slå av motoren og inspisere skjæreverktøyet.
- Kontroller skjæreverktøyet ofte for sprekker og skader under arbeidet. Slå av motoren og vent til skjæreverktøyet har stanset helt før inspeksjonen. Skift ut ødelagt skjæreverktøy omgående, selv om det kun har overflateriss.
- Skjær aldri over midjehøyde.
- Vent til skjæreverktøyet når en konstant hastighet etter at du har trukket i startutløseren før du starter skjærearbeidet.
- Pass på at du har godt fotfeste i skråninger.
- Gå, ikke løp.
- Vær uhyre forsiktig når du skal rygge eller trekke kantklipperen mot deg.
- Sørg for at bladet har stoppet før du krysser andre overflater enn gress og når du transporterer kantklipperen til og fra området som skal kantklippes.
- Stopp motoren når du forlater kantklipperen.

## Skjæreverktøy

- Upassende blader må aldri brukes sammen med svingbare metallkjeder med flere ledd og slui-blader. Dette kan føre til alvorlige ulykker.
- Du må alltid bruke den skjæreverktøysbeskyttelsen som er best egnet for det skjæreverktøyet som brukes.

## Vibrasjoner

- Hvis personer med dårlig sirkulasjon utsettes for kraftige vibrasjoner, kan det føre til skade på blodkar eller nervesystem. Som følge av vibrasjoner kan følgende symptomer oppstå på fingre, hender eller håndledd: Kroppsdelene "sovner" (nummenhet), kiling, smerter, stikkende følelse, endring av hudfargen eller av huden. Oppsøk lege hvis disse symptomene oppstår!
- Hvis du vil redusere risikoen for "hvit-finger-sykdom", hold hendene varme under bruk og vedlikehold utstyret og tilbehøret.

## Transport

- Før transportering av utstyret, skru av motoren og fjern tennpluggkappen eller batterikassetten. Fjerne skjæreverktøyet.
- Når utstyret transporteres, bær det i horisontal stilling ved å holde i akselen. Hold den varme lyd-potten vekk fra kroppen.
- Når utstyret skal transporteres i et kjøretøy, fest det godt for å unngå at det velter. Ellers kan resultatet bli drivstoffsøl og ødeleggelse av utstyret og annen bagasje.

## Vedlikehold


- Se til at utstyret betjenes av vårt autoriserte servicesenter, bruk alltid bare ekte erstatningsdeler. Feil reparasjon og dårlig vedlikehold kan forkorte levetiden til utstyret og øke risikoen for ulykker.
- Før du utfører noe vedlikehold eller reparasjonsarbeid, skal motoren alltid slås av og tennpluggkappen eller batterikassetten fjernes. Vent til motoren er kald.
- For å redusere brannfaren må du aldri utføre vedlikeholdsarbeid i nærheten av åpen ild.
- Bruk alltid vernehansker når skjærebladet håndteres.
- Rengjør alltid utstyret for støv og smuss. Du må aldri bruke gasolin, bensin, tynner, alkohol eller liknende for dette arbeidet. Dette kan føre til misfarging, deformering eller sprekkdannelse i plastkomponentene.

- Etter hver bruk, stram til alle skruer og muttere, unntatt justeringsskruene for forgasseren.
- Ikke forsøk å utføre noe vedlikeholdsarbeid eller reparasjoner som ikke er beskrevet i dette heftet eller i bruksanvisningen til drivverket. Kontakt et Makita-autorisert servicesenter for slikt arbeid.
- Bruk alltid kun originale tilbehørs- og reservedeler fra Makita. Hvis du bruker deler og tilbehør fra tredjepart, kan dette resultere i havari av utstyret, ødeleggelse av eiendom og/eller alvorlig personskade.
- Kontakt et Makita-autorisert servicesenter for regelmessig inspeksjon og vedlikehold av utstyret.

## Lagring

- Foreta komplett rengjøring og vedlikehold av utstyret før det lagres. Fjern tennpluggen og batterikassetten. Tapp av drivstoff etter at motoren er blitt kald. Fjerne skjæreverktøyet.
- Hvis drivstofftanken må tappes, skal dette gjøres utendørs.
- Lagre utstyret på et tørt og høyt eller låst sted, utilgjengelig for barn.
- Ikke len utstyret opp mot noe, som for eksempel en vegg. Ellers kan det plutselig falle og forårsake personskade.

## Førstehjelp

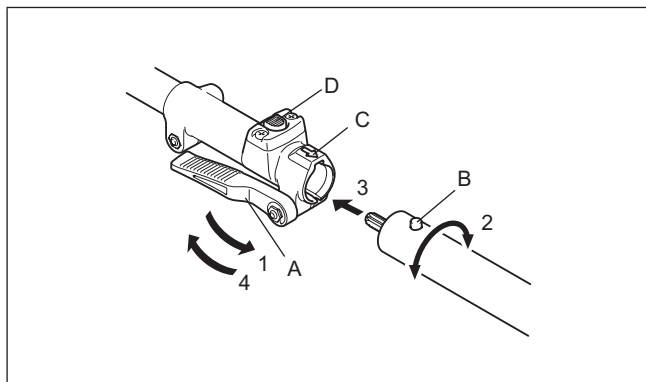
-  Ha alltid et førstehjelpsett i nærheten. Forbrukt materiale fra førstehjelpsettet må straks etterfylles.
- Hvis du ringer etter hjelp, må du oppgi følgende:
  - Ulykkesstedet
  - Hva som har skjedd
  - Antall personer som har kommet til skade
  - Type skade
  - Navnet ditt

## Montering og justering

### ADVARSEL:

- Slå av motoren og fjern tennpluggen eller batterikassetten før utstyret monteres eller justeres. Ellers kan skjæreverktøyet eller andre deler bevege seg og forårsake alvorlig personskade.
- Bruk alltid vernehansker når du skal håndtere skjærebladet. Under monteringen eller justeringen kan fingrene dine komme i berøring med skjærebladet, og dette kan føre til alvorlig personskade.
- Når du monterer eller justerer utstyret, legg det alltid ned. Montering og justering av utstyret i oppreist stilling kan føre til alvorlig personskade.
- Følg advarsler og forholdsregler i kapitlet "Forholdsregler for sikkerhet", samt bruksanvisningen for drivverket.

### Montering av utstyret på drivverket

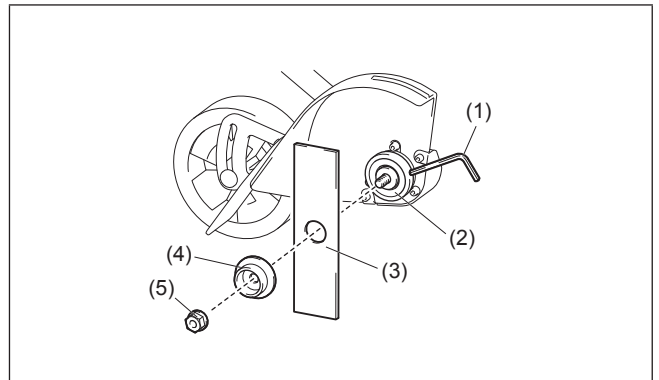


For montering av utstyret til drivverket, følg trinnene under.

1. Påse at låsespaken (A) ikke er strammet til.
  2. Still inn stiften (B) med pilmerket (C).
  3. Sett akselen inn i drivakselen til drivverket inntil utløserknappen (D) spretter opp.
  4. Stram låsespaken (A) godt til som vist.
- Løsne låsespaken, trykk på låseknappen og trekk ut akselen for å fjerne utstyret.

**OBS!** Ikke stram låsespaken (A) uten at stangen til utstyret er satt inn. Ellers kan låsespaken stramme til inngangen til drivakselen for mye og ødelegge den.

## Montere og fjerne bladet



1. Drei mottakerskiven (2) slik at hullet på mottakerskiven stilles inn med hullet på giraksen.
2. Sett sekskantnøkkelen (1) inn gjennom hullene. Sørg for at mottakerskiven ikke dreies.
3. Mens du holder sekskantnøkkelen, dreier du mutteren (5) med urviseren med bruk av en pipenøkkel.
4. Fjern mutteren og klemmen (4).
5. Plasser bladet (3).
6. Returner klemmen og mutteren.
7. Mens du holder sekskantnøkkelen, dreier du mutteren mot klokken for å feste bladet.

Du utfører bladet ved å utføre trinnene over i motsatt rekkefølge.

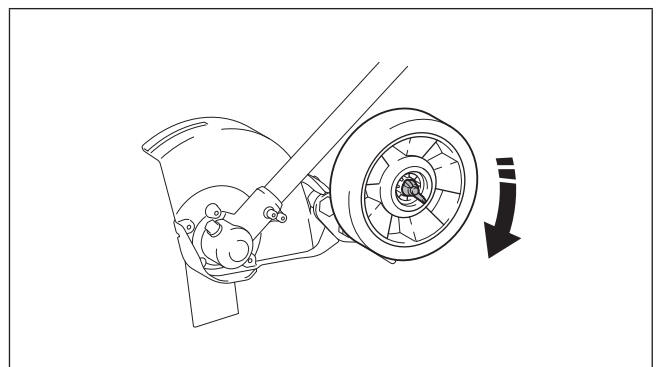
**MERK:** Skjærebladets festemutter (med fjærskive) slites ut over tid. Hvis det er det minste tegn til slitasje eller deformasjon av mutteren, må den skiftes ut.

## Drift

### ADVARSEL:

- Hvis skjæreverktøyet beveger seg på tomgang, juster ned motorens tomgangshastighet. Ellers kan du ikke stanse skjæreverktøyet ved å slippe gassen, og dette kan føre til alvorlig personskade.
- Følg advarsler og forholdsregler i kapitlet "Forholdsregler for sikkerhet", samt bruksanvisningen for drivverket.

### Justere bladdybden



- Løsne mutteren på hjulet.
- Beveg hjulet og juster høyden i henhold til bruken, og stram deretter mutteren.

### Brukstips

- Før kantklipping bør du vanne området for å gjøre bakken mykere og gjøre kantklipping enklere.
- Før kantklipping, kontrollerer du området og fjerner alle gjenstander og objekter som kunne kastes.
- Planlegg å klippe kanten regelmessig for å gjøre det enklere å holde en ryddig kant og å unngå å måtte klippe mer enn én gang.

### MERK:

Det kan hende at bladdybden må justeres på grunn av forskjeller i høyden mellom den harde overflater og toppen av gresset.

- Juster bladens skjæredybde for å få en fin skjærekant mellom fortauet og gresset med bruk av minimum bladdybde, vanligvis med rundt 13 mm av bladet i bakken.

## Inspeksjon og vedlikehold

### ⚠ ADVARSEL:

- Før inspeksjon eller vedlikehold av utstyret, slå av motoren og fjern tennpluggheten eller batterikassetten. Ellers kan skjæreverktøyet eller andre deler bevege seg og forårsake alvorlig personskade.
- Under inspeksjon eller vedlikehold av utstyret, sett det alltid ned. Montering og justering av utstyret i oppreist stilling kan føre til alvorlig personskade.
- Følg advarsler og forholdsregler i kapittelet "Forholdsregler for sikkerhet", samt bruksanvisningen for drivverket.

### Skjerp skjæreverktøyet

### ⚠ ADVARSEL:

Ikke skjerp skjærebladene selv. Et skjæreblad som slipes manuelt, blir ubalansert, og dette kan forårsake vibrasjoner som kan skade utstyret.

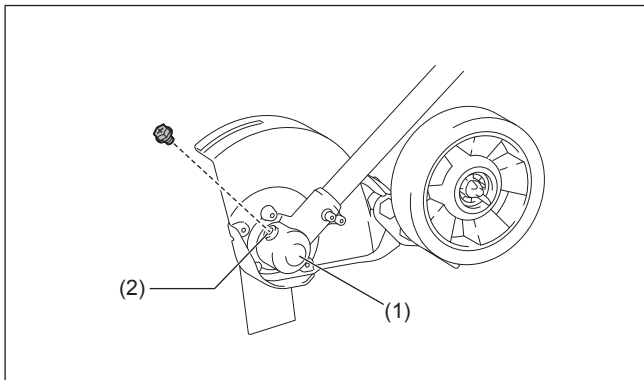
Be et Makita-autorisert servicesenter om å skjerp og rebalansere sløve skjæreblader.

### Smøring av bevegelige deler

**OBS!** Følg instruksjonene om hyppighet og smøremengde. Utilstrekkelig smøring kan ødelegge de bevegelige delene.

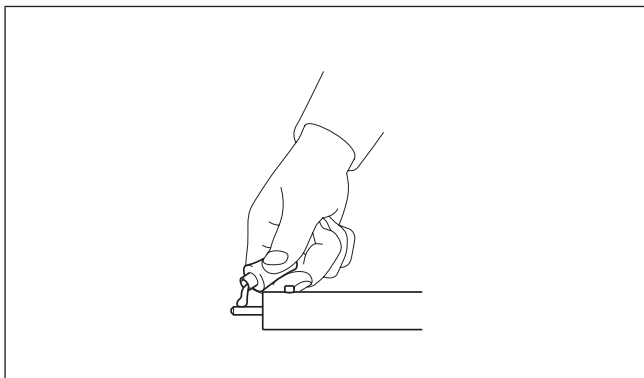
Girkasse:

Påfør fett (Shell Alvania 2 eller tilsvarende) til girkassen (1) gjennom fettneppelen (2) hver 30. driftstime. (Originalt Makita-fett kan kjøpes hos Makita-forhandleren din.)



Drivaksel:

Påfør fett (Shell Alvania Nr. 2 eller tilsvarende) hver 30. driftstime.



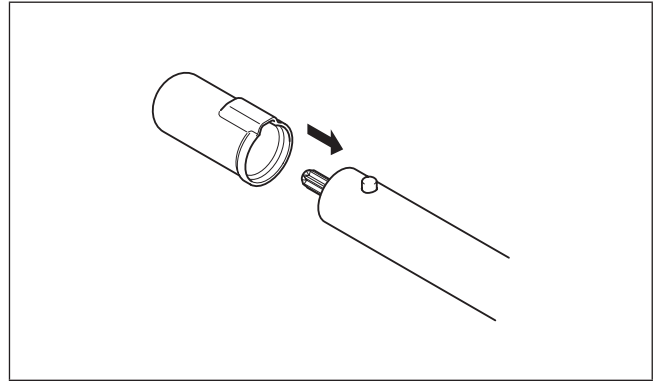
## Generell inspeksjon

- Stram til løse bolter, skruer og muttere.
- Kontroller for skadde deler. Kontakt et Makita-autorisert servicesenter for utskifting.

## Lagring

### ⚠ ADVARSEL:

Følg advarsler og forholdsregler i kapittelet "Forholdsregler for sikkerhet", samt bruksanvisningen for drivverket.



Ved lagring av kantutstyret separat fra drivverket, settes hetten på enden av akselen.

## Vedlikeholdsplan

Driftstid		Før bruk	Daglig (10 t)	30 t	Om nødvendig	Tilsvarende side
Hele enheten	Kontroller visuelt for ødelagte deler	○				20
Alle festeskrue og muttere	Stramme	○				20
Girkasse	Påfør fett			○		20
Drivaksel	Påfør fett			○		20
Skjæreblad	Inspiser visuelt for skade	○	○			20
Drivverk	Referer til bruksanvisningen for drivverket					

## Feilsøking

Problem	Mulig årsak	Løsning
Motoren starter ikke.	Referer til bruksanvisningen for drivverket.	
Motoren stanser rett etter at den er blitt startet.		
Maksimum hastighet er begrenset.		
Skjæreverktøyet roterer ikke. → <b>Stopp motoren omgående!</b>	Skjærebladet er ikke korrekt strammet til.	Stram skjærebladet godt.
	En kvist sitter fast mellom skjærebladet og verneskjoldet.	Fjern fremmedlegemet.
	Motorsystemet fungerer ikke korrekt.	Kontakt et Makita-autorisert servicesenter for inspeksjon og reparasjon.
Enheten vibrerer unormalt. → <b>Stopp motoren omgående!</b>	Skjærebladet er bøyd, slitt eller brukket.	Skift ut skjærehodet med et nytt.
	Skjærebladet er ikke korrekt strammet til.	Stram skjærebladet godt.
	Skjærebladet sitter ikke som det skal på mottakerskiven.	Monter skjærebladet korrekt.
	Motorsystemet fungerer ikke korrekt.	Kontakt et Makita-autorisert servicesenter for inspeksjon og reparasjon.
Skjæreverktøyet stopper ikke. → <b>Stopp motoren omgående!</b>	Drivverket fungerer ikke korrekt.	Referer til bruksanvisningen for drivverket.

## Tekniske data

Modell		EE400MP
Mål (L x B x H)	mm	878 x 131 x 291
Nettvekt (ikke inkludert verneskjold og blad)	kg	2,4
Skjærebladets diameter	mm	203
Girutveksling		14/29

## EU samsvarserklæring

Vi som produsenten  
Forretningsadresse

**Makita Europe N.V.**  
**Jan-Baptist Vinkstraat 2**  
**3070 Kortenberg**  
**BELGIA**

Gir **Kazuhisa Makino** fullmakt til å utarbeide den tekniske filen, og erklærer under vårt eneansvar at produktet/produktene;

Betegnelse..... **Kantutstyr**

Betegnelse av typen(e)..... **EE400MP**

Oppfyller alle de relevante bestemmelsene i **2006/42/EF**

og oppfyller også alle de relevante bestemmelsene i følgende EU-direktiver: **2000/14/EF**

og er produsert i samsvar med følgende harmoniserte standarder: **ISO 11789:1999**

Sted og dato for erklæringen: **Kortenberg, Belgia 28.6.2023**

Ansvarlig person: **Kazuhisa Makino**



**Direktør – Makita Europe N.V.**

## Sisällys

	Sivu
Sisällys .....	23
Alkusanat.....	23
Merkkien selitykset .....	23
Hyväksytty tehonlähde .....	24
Osien kuvaus.....	24
Turvallisuusohjeet.....	24
Kokoaminen ja säätäminen .....	26
Käyttö .....	26
Tarkastus ja huolto.....	27
Säilytys .....	27
Huolto-ohjelma .....	28
Vianmääritys.....	28
Tekniset tiedot.....	28
EU-vaatimustenmukaisuusvakuutus .....	29

## Alkusanat

Olemme iloisia, että olet hankkinut Makita-reunaleikkurin. Työkalu on tarkoitettu asennettavaksi tässä käyttöohjeessa mainittuun Makitan tehonlähteeseen.

Lue ennen käytön aloittamista tämä opas sekä tehonlähteen käyttöohje. Näihin tietoihin perehtymällä saat suurimman hyödyn hankkimastasi Makita-reunaleikkurista.

## Merkkien selitykset

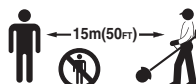
Työkalussa ja tässä käyttöohjeessa on käytetty seuraavia symboleja. On tärkeää tuntea näiden symbolien merkitys.



Noudata erityistä varovaisuutta.



Lue käyttöohje.



Pidä sivulliset henkilöt poissa työskentelyalueelta



Käytä suojalaseja ja kuulosuojaimia.



Käytä suojakäsineitä.



Käytä tukevia saappaita, joissa on luistamaton pohja. On suositeltavaa käyttää teräskärkisiä turvasaappaita.



Kielletty!



Ensiapu

## Hyväksytty tehonlähde

Työkalun tehonlähteeksi on hyväksytty vain seuraava(t):

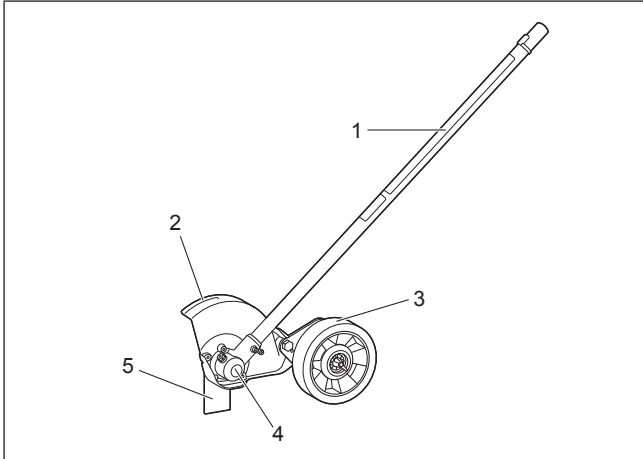
**EX2650LH Monitoimimoottoriyksikkö**  
**BUX360, BUX361, BUX362, UX360D, UX361D, UX362D, DUX60,**  
**DUX18, UX01G**

**Akkukäyttöinen monitoimimoottoriyksikkö**

### ⚠ VAROITUS:

Älä koskaan käytä laitteessa muita tehonlähteitä. Seurauksena voi olla vakava vamma.

## Osien kuvaus



Seuraavat numerot viittaavat kuvaan.

1. Akseli
2. Teränsuojus
3. Pyörä
4. Hammasrattaiston kotelo
5. Terä

## Turvallisuusohjeet

### ⚠ VAROITUS:

Lue kaikki tässä oppaassa ja tehonlähteen käyttöohjeessa annetut turvallisuusvaroitukset ja ohjeet. Varoitusten ja ohjeiden noudattamatta jättäminen voi aiheuttaa johtaa sähköiskun, tulipalon ja/tai vakavan vammautumisen.

Säilytä varoitukset ja ohjeet tulevaa käyttöä varten.

Termit "reunaleikkuri" ja "laite" tarkoittavat varoituksissa ja varotoimissa työkalun ja tehonlähteen yhdistelmää.

Termi "moottori" tarkoittaa varoituksissa ja varotoimissa tehonlähteen sähkö- tai polttomoottoria.

### Käyttötarkoitus

- Tämä laite on tarkoitettu vain nurmikon reunojen leikkaamiseen kytkettynä hyväksytyyn tehonlähteeseen. Älä koskaan käytä työkalua mihinkään muuhun tarkoitukseen. Työkalun väärinkäyttö voi aiheuttaa vakavia vammoja.

### Yleiset varotoimet

- Ennen kuin käynnistät laitteen, tutustu sen käsittelyyn lukemalla tämä julkaisu ja tehonlähteen käyttöohje.
- Älä luovuta laitetta sellaisen henkilön haltuun, jolla ei ole laitteen käsittelyyn tarvittavaa kokemusta ja tietoa.
- Anna laitteen lainaajalle mukaan aina myös tämä käyttöohje.
- Älä anna lasten tai alle 18-vuotiaiden henkilöiden käyttää laitetta. Pidä heidät loitolla laitteesta.
- Laitetta käsiteltäessä tulee olla äärimmäisen huolellinen ja varovainen.
- Älä koskaan käytä laitetta käytettyäsi alkoholia tai huumeita tai ollessasi väsynyt tai sairas.
- Muista, että käyttäjä vastaa tapaturmista tai vahingoista, jotka hän aiheuttaa muille ihmisille tai heidän omaisuudelleen.

- Älä koskaan yritä tehdä muutoksia työkaluun.
- Noudata maassasi voimassa olevia laitteen käsittelyä koskevia määräyksiä.

### Henkilönsuojaimet

- Suojaa itsesi lentäviltä irtoroskilta ja putoavilta esineiltä käyttämällä kypärää, suojalaseja ja suojakäsineitä.



- Käytä kuulosuojaimia kuulovaurioiden estämiseksi.
- Käytä turvallisen työskentelyn mahdollistavia kenkiä ja vaatetusta, esimerkiksi työhaalaria ja kenkiä, joissa on luistamaton pohja. Älä käytä väljäviä vaatteita tai koruja. Väljäiset vaatteet, korut tai pitkät hiukset voivat tarttua liikkuviin osiin.
- Käytä aina suojakäsineitä, kun käsittelet leikkuuterää. Leikkuuterät voivat leikata paljaita käsiä pahoin.

### Työtilan turvallisuus

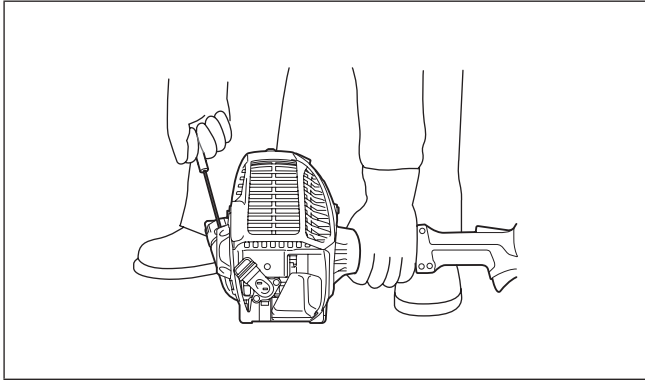
- Käytä laitetta vain päivänvalossa ja hyvien näkyvyysolojen vallitessa. Älä käytä laitetta pimeässä tai sumussa.
- Käynnistä moottori ja käytä sitä vain ulkona paikassa, jossa on hyvä ilmanvaihto. Moottorin käyttäminen suljetussa tilassa tai tilassa, jossa on huono ilmanvaihto, voi aiheuttaa kuoleman tukehtumisen tai häämyrkytyksen takia.
- Älä koskaan seiso epävakaalla, voimakkaasti viettävällä tai liukkaalla alustalla, kun käytät laitetta. Jos työskentelet kylmissä oloissa, varo lunta ja jäätä ja varmista aina tukeva jalansija.
- Kun käytät laitetta, älä anna sivullisten henkilöiden tai eläinten olla alle 15 metrin etäisyydellä. Pysäytä moottori heti, jos joku tulee tätä lähemmäs.
- Tarkista ennen käytön aloittamista, onko työskentelyalueella kiviä tai muita kiinteitä esineitä. Ne voivat aiheuttaa vaarallisen takapotkun, jonka seurauksena voi olla vakavia vammoja ja/tai aineellisia vahinkoja.
- ⚠ VAROITUS: Tämän laitteen käyttäminen voi tuottaa kemikaalipitoista pölyä, joka voi aiheuttaa hengityselinsairauksia tai muita sairauksia. Tällaisia kemikaaleja ovat esimerkiksi tietyt torjunta-aineissa, lannoitteissa ja rikkaruohomyrkyissä käytetyt yhdisteet. Altistumisvaara vaihtelee sen mukaan, kuinka usein tällaista työtä tehdään. Voit vähentää altistumista näille kemikaaleille noudattamalla seuraavia varotoimia: työskentele hyvällä ilmanvaiholla varustetuissa tiloissa ja käytä hyväksytyjä suojavarusteita, kuten hengityssuojaimia, jotka on tarkoitettu erityisesti suodattamaan mikroskooppisia aineosasia.

### Käsittely

- Sammuta moottori ja irrota sytytystulpan hattu tai akku ennen laitteen kokoamista tai säätämistä.
- Pue aina suojakäsineet ennen leikkuuterän käsittelyä.
- Tarkista ennen moottorin käynnistämistä, ettei siinä ole vaurioita tai irrallisia ruuveja ja muttereita ja että se on koottu oikein. Jos leikkuuterä on vääntynyt tai vaurioitunut, vaihda se. Tarkista, että kaikki säätimet ja katkaisimet toimivat kevyesti. Puhdista ja kuivaa kahvat.
- Älä koskaan yritä käynnistää moottoria, jos laite on vaurioitunut tai puutteellisesti koottu. Se voi aiheuttaa vakavia vammoja.
- Säädä olkahihna ja kahvat käyttäjän koon mukaan.

## Moottorin käynnistäminen

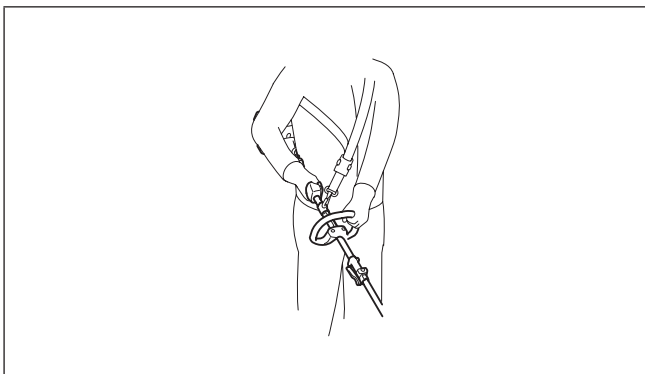
- Pue suojavarusteet yllesi ennen moottorin käynnistämistä.
- Käynnistä moottori vähintään 3 metrin etäisyydellä tankkauspaikasta.
- Varmista ennen moottorin käynnistämistä, ettei työskentelyalueella ole ihmisiä tai eläimiä.
- Kun käynnistät moottorin tai asetat akun laitteeseen, älä anna leikkuutyökalun koskettaa itseäsi, mitään esinettä tai maata. Osa voi liikkua käynnistyksen aikana, mikä voi aiheuttaa vammoja tai vaurioittaa laitetta ja/tai muuta omaisuutta.
- Aseta laite tukevasti maata vasten. Varmista hyvä tasapaino ja tukeva jalansija.
- Kun vedät käynnistinkahvasta, paina tehonlähde tukevasti maata vasten vasemmalla kädellä. Älä koskaan astu tehonlähteen käyttöakselin päälle.



- Käynnistä moottori tehonlähteen käyttöohjeessa kerrotulla tavalla.
- Jos leikkuutyökalu pyörii moottorin joutokäynnin aikana, pysäytä moottori ja pienennä joutokäyntinopeutta.

## Käyttö

- Häätätilanteessa sammuta heti moottori.
- Jos käytön aikana ilmenee epätavallisia oireita (esim. outoja ääniä tai tärinää), sammuta moottori. Älä käytä laitetta, ennen kuin syy on selvitetty ja korjattu.
- Leikkuutyökalu jatkaa pyörimistä jonkin aikaa kaasuvivun vapauttamisen tai moottorin sammuttamisen jälkeen. Älä kosketa leikkuutyökalua liian aikaisin.
- Kun moottori käy joutokäyntiä, kiinnitä olkahihna.
- Käytä olkahihnaa, kun käytät laitetta tukevasti oikealla puolellasi.



- Sekä oikea- että vasenkätisten käyttäjien tulee tarttua etukahvaan vasemmalla kädellä ja takakahvaan oikealla kädellä. Kierrä sormesi ja peukalosi tukevasti kahvojen ympärille.
- Älä koskaan yritä käyttää laitetta yhdellä kädellä. Laitteen hallinnan menettäminen voi aiheuttaa vakavia vammoja tai kuoleman. Pidä kätesi ja jalkasi kaukana leikkuutyökalusta loukkaantumista vastaan.
- Älä kurkota. Seiso tukevassa asennossa ja säilytä tasapainosi. Varo piilossa olevia kompastumisvaaran aiheuttavia esteitä, kuten kantoja, juuria ja oja.
- Älä koskaan työskentele tikkailla, sillä se voi aiheuttaa hallinnan menetyksen.
- Jos laitteeseen kohdistuu voimakas isku tai se putoaa, tarkista sen kunto ennen työn jatkamista. Tarkista, ettei polttoainejärjestelmä vuoda ja ettei hallintalaitteissa tai

- turvallisuusvarusteissa ole vikoja. Jos on syytä epäillä laitteen vaurioituneen, pyydä valtuutettua Makita-huoltoliikettä tarkistamaan ja tarvittaessa huoltamaan laite.
- Älä kosketa hammasrattaiston koteloa. Hammasrattaiston kotelo kuumenee käytön aikana.
- Pidä lepotaukoja, jotta et väsymyksen takia menetä laitteen hallintaa. On suositeltavaa pitää tunnin välein 10–20 minuutin tauko.
- Jos jätät laitteen vartioimatta vaikka vain lyhyeksi ajaksi, sammuta aina moottori tai irrota akku. Jos laite jätetään vartioimatta moottorin käydessä, asiattomat henkilöt voivat käyttää sitä ja aiheuttaa vakavan onnettomuuden.
- Käytä säätövipua ja katkaisinta käyttöohjeessa kerrotulla tavalla.
- Älä aseta laiteta kuivalle ruohikolle tai syttyvän materiaalin päälle käytön aikana tai heti sen jälkeen.
- Jos leikkuutyökalun ja suojuksen väliin tarttuu ruohoa tai oksia, sammuta aina moottori ja irrota sytytystulpan hattu tai akku ennen puhdistamista. Pyörivä terä voi aiheuttaa vakavia vammoja.
- Jos leikkuutyökalu osuu kiviin tai muihin koviin esineisiin, sammuta moottori heti ja tarkasta leikkuutyökalu.
- Tarkista käytön aikana säännöllisesti, ettei leikkuutyökalussa ole halkeamia tai vaurioita. Sammuta moottori ja anna leikkuutyökalun pysähtyä ennen tarkistusta. Vaihda vaurioitunut leikkuutyökalu heti, vaikka halkeamat olisivat vain pinnallisia.
- Älä koskaan leikkaa korkeammalta kuin vyötärön korkeudelta.
- Kun painat liipaisinkytkintä, anna leikkuutyökalun nopeuden vakiintua ennen leikkaamisen aloittamista.
- Varmista aina tukeva jalansija, kun käytät laitetta rinteessä.
- Kävele, älä juokse.
- Ole erityisen varovainen kääntäessäsi tai vetäessäsi reunaleikkuria itseäsi kohti.
- Varmista, että terä on pysähtynyt, ennen kuin siirrät reunaleikkuria muiden kuin ruohikkopintaisten alueiden poikki tai siirrät sen työskentelyalueelle tai pois työskentelyalueelta.
- Sammuta moottori aina, kun jätät reunaleikkurin vartioimatta.

## Leikkuutyökalut

- Älä koskaan käytä vääränlaisia teriä, esimerkiksi moniosaisia nivelletyjä metalliteriä tai varstateriä. Ne voivat aiheuttaa vakavia vammoja.
- Käytä aina leikkuutyökaluun sopivaa suojusta.

## Tärinä

- Voimakas tärinä voi aiheuttaa heikosta verenkierrasta kärsiville henkilöille verisuoni- tai hermostovammoja. Tärinä voi aiheuttaa seuraavia oireita sormissa, käsissä tai ranteissa: kehonosien puuttuminen, kihelmöinti, kipu, pistely, muutokset ihon värissä tai ihossa. Jos tällaisia oireita ilmenee, hakeudu lääkäriin hoitoon!
- Voit pienentää valkosormisuussyndrooman riskiä pitämällä kätesi lämpiminä käytön aikana ja huolehtimalla siitä, että laite ja sen lisävarusteet ovat kunnossa.

## Kuljetus

- Sammuta moottori ja irrota sytytystulpan hattu tai akku ennen laitteen kuljettamista. Irrota leikkuutyökalu.
- Kuljeta laitetta vaakasuorassa asennossa pitäen kiinni akselista. Älä anna kuumen äänenvaimentimen koskettaa itseäsi.
- Jos kuljetat laitetta ajoneuvossa, kiinnitä se tukevasti paikalleen, ettei se pääse kaatumaan. Muuten seurauksena voi olla polttoainevuotoja ja laitteen tai muun kuorman vaurioituminen.

## Huolto


- Huollata laitteesi vain valtuutetussa huoltoliikkeessämme ja käytä vain alkuperäisiä varaosia. Virheelliset korjaukset ja huono kunnossapito voivat lyhentää laitteen käyttöikää ja suurentaa tapaturmien vaaraa.
- Sammuta moottori ja irrota sytytystulpan hattu tai akku aina ennen laitteen huoltamista tai puhdistamista. Anna moottorin jäähtyä.
- Älä koskaan huolla laitetta avotulen läheisyydessä tulipalovaaran takia.
- Käytä aina suojakäsineitä, kun käsittelet leikkuuterää.
- Puhdista laite aina pölystä ja liasta. Älä koskaan käytä puhdistamiseen bensiiniä, ohentimia, alkoholia tms. aineita. Ne voivat aiheuttaa muoviosiin värjäytymiä, muodonmuutoksia tai halkeamia.

- Kiristä aina käytön jälkeen kaikki ruuvit ja mutterit lukuun ottamatta kaasuttimen säätöruuveja.
- Älä tee mitään huolto- tai korjaustoimia, joita ei ole kuvattu tässä julkaisussa tai tehonlähteen käyttöohjeessa. Pyydä valtuutettua Makita-huoltoliikettä tekemään tällaiset työt.
- Käytä aina pelkästään aitoja Makita-varaosia ja -lisävarusteita. Muiden valmistajien varaosien tai lisävarusteiden käyttäminen voi aiheuttaa laitteen rikkoutumisen, aineellisia vahinkoja ja/tai vakavia vammoja.
- Pyydä valtuutettua Makita-huoltoliikettä tarkistamaan ja huoltamaan laite säännöllisin välein.

## Säilytys

- Ennen kuin asetat laitteen säilytykseen, suorita perusteellinen puhdistus ja huolto. Irrota sytytystulpan hattu tai akku. Kun moottori on jäähtynyt, valuta polttoaine pois. Irrota leikkuutyökalu.
- Jos polttoainesäiliö on tyhjennettävä, tee se ulkona.
- Säilytä laitetta hyvin tuuletetussa paikassa, joka on riittävän korkealla tai lukittu, jotta lapset eivät pääse siihen käsiksi.
- Älä tue laitetta esimerkiksi seinää vasten. Se voi kaatua ja aiheuttaa vammoja.

## Ensiapu

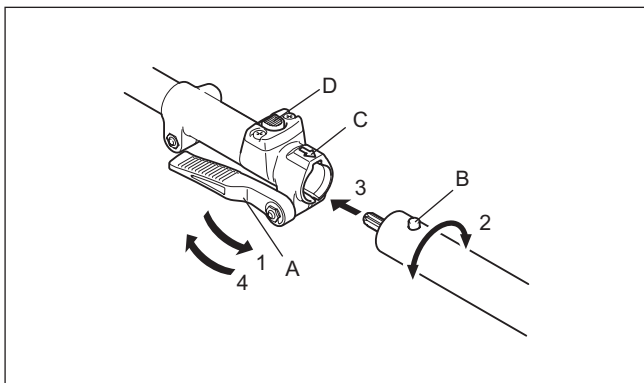
-  Pidä ensiapulaukku aina saatavilla. Täydennä ensiapulaukun sisältöä aina käytön mukaan.
- Kun hälytät apua, ilmoita seuraavat tiedot:
  - onnettomuuden tapahtumapaikka
  - mitä on tapahtunut
  - loukkaantuneiden henkilöiden lukumäärä
  - vammojen laatu
  - oma nimesi.

## Kokoaminen ja säätäminen

### VAROITUS:

- Sammuta moottori ja irrota sytytystulpan hattu tai akku ennen laitteen kokoamista tai säätämistä. Muuten leikkuutyökalu tai muut osat voivat liikkua ja aiheuttaa vakavia vammoja.
- Pue aina suojakäsineet ennen leikkuuterän käsittelemistä. Sormesi voivat kokoamisen tai säätämisen aikana osua leikkuuterään, mikä voi aiheuttaa vakavia vammoja.
- Laske laite aina alas ennen sen kokoamista tai säätämistä. Laitteen kokoaminen tai säätäminen pystyasennossa voi aiheuttaa vakavia vammoja.
- Noudata Turvallisuusohjeet-luvussa ja tehonlähteen käyttöohjeessa kerrottuja varoituksia ja varotoimia.

## Työkalun kiinnittäminen tehonlähteeseen

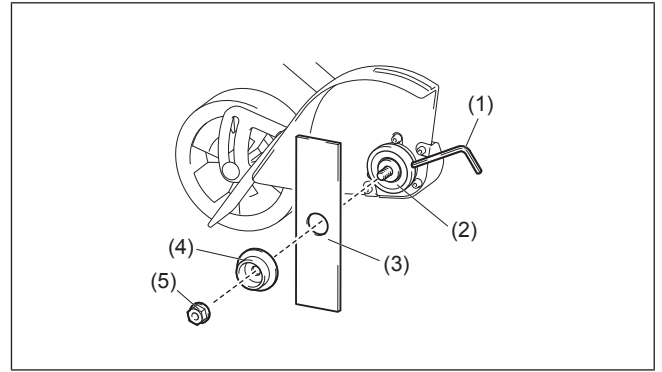


Kiinnitä työkalu tehonlähteeseen seuraavasti.

1. Varmista, että lukitusvipua (A) ei ole kiristetty.
2. Kohdistatappi (B) nuolimerkkiin (C).
3. Työnnä laitteen akselia tehonlähteen käyttöakselia vasten, kunnes vapautuspainike (D) ponnahtaa ylös.
4. Kiristä lukitusvipu (A) tiukasti kuvassa esitetyllä tavalla. Kun haluat irrottaa työkalun, löysää lukitusvipu, paina lukituspainiketta ja vedä akseli irti.

**HUOMAUTUS:** Älä kiristä lukitusvipua (A), jos työkalun akselia ei ole työnnetty paikalleen. Lukitusvipu voi tällöin kiristää käyttöakselin sisääntuloaukkoa liikaa ja vahingoittaa sitä.

## Terän kiinnittäminen ja irrottaminen



1. Kierrä vasta-aluslevyä (2) siten, että vasta-aluslevyssä oleva reikä on hammasrattaiston kotelossa olevan reiän kohdalla.
2. Työnnä kuusioavain (1) reikien läpi. Varmista, ettei vasta-aluslevy pääse pyörimään.
3. Pidä kiinni kuusioavaimesta ja kierrä mutteria (5) myötäpäivään hylsyavaimella.
4. Irrota mutteri ja kiristin (4).
5. Aseta terä (3) paikalleen.
6. Asenna kiristin ja mutteri takaisin.
7. Kiristä terä paikalleen kiertämällä mutteria vastapäivään ja pitämällä kiinni kuusioavaimesta.

Irrota terä suorittamalla edellä kerrotut toimet päinvastaisessa järjestyksessä.

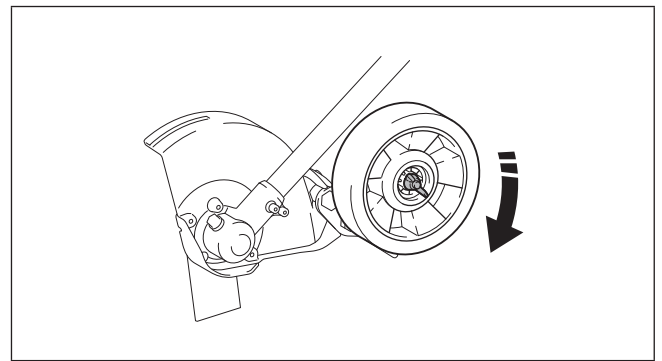
**HUOMAUTUS:** Leikkuuterän kiinnitysmutteri (jousialuslevyllinen) kuluu käytössä. Jos mutterissa näkyy kulumisen tai vääntymisen merkkejä, vaihda mutteri.

## Käyttö

### VAROITUS:

- Jos leikkuutyökalu liikkuu joutokäynnillä, pienennä moottorin joutokäyntinopeutta. Muuten leikkuutyökalu ei pysähdy, kun kaasuvipu vapautetaan, mikä voi aiheuttaa vakavia vammoja.
- Noudata Turvallisuusohjeet-luvussa ja tehonlähteen käyttöohjeessa kerrottuja varoituksia ja varotoimia.

## Terän syvyyden säätäminen



- Kierrä pyörän mutteri löysälle.
- Irrota pyörä ja säädä sen korkeutta käyttötarkoituksen mukaan. Kiristä sitten mutteri.

## Käyttövihjeitä

- Kastele alue ennen reunojen leikkaamista, jotta maaperä pehmenee ja leikkaaminen helpottuu.
- Tarkista alue ennen leikkaamista ja poista kaikki esteet ja esineet, jotka voivat sinkoutua leikkurista.
- Leikkaa reunat säännöllisesti, jotta ne pysyvät siistinä eikä niitä tarvitse leikata useaan otteeseen samalla kerralla.

### **HUOMAUTUS:**

Terän syvyyttä on ehkä säädettävä, koska kovan maanpinnan päällä olevan nurmikon paksuus voi vaihdella.

- Säädä terän syvyys mahdollisimman pieneksi siten, että kävelypolun ja nurmikon välinen reuna leikkautuu siististi. Sopivin terän syvyys on tavallisesti noin 13 mm (1/2") maanpinnan alapuolella.

## Tarkastus ja huolto

### ⚠ VAROITUS:

- Sammuta moottori ja irrota sytytystulpan hattu tai akku ennen laitteen tarkastamista tai huoltamista. Muuten leikkuutyökalu tai muut osat voivat liikkua ja aiheuttaa vakavia vammoja.
- Laske laite aina alas ennen sen tarkastamista tai huoltamista. Laitteen kokoaminen tai säätäminen pystyasennossa voi aiheuttaa vakavia vammoja.
- Noudata Turvallisuusohjeet-luvussa ja tehonlähteen käyttöohjeessa kerrottuja varoituksia ja varotoimia.

### Leikkuutyökalun uudelleenteroitus

#### ⚠ VAROITUS:

Älä teroita leikkuuteriä itse. Terien teroittaminen käsin tekee ne epätasapainoisiksi, mikä aiheuttaa tärinää ja vaurioittaa laitetta.

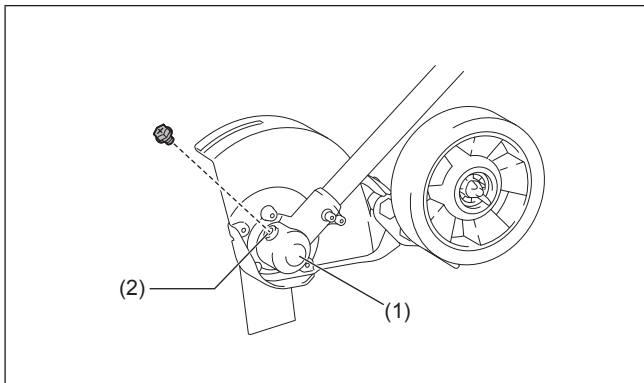
Pyydä valtuutettua Makita-huoltoliikettä teroittamaan ja tasapainottamaan tylsyneet leikkuuterät.

### Liikkuvien osien voiteleminen

**HUOMAUTUS:** Noudata voiteluväli- ja voiteluainesuosituksia. Riittämätön voitelu voi vaurioittaa liikkuvia osia.

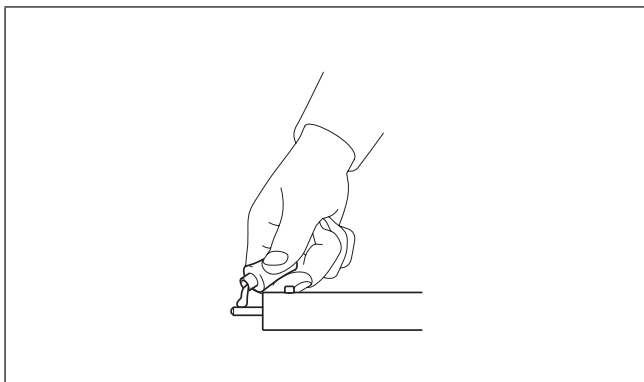
Hammasrattaiston kotelo:

Lisää hammasrattaiston koteloon (1) rasvaa (Shell Alvania 2 tai vastaava) rasvausnipan (2) kautta 30 käyttötunnin välein. (Voit hankkia aitoa Makita-rasvaa lähimmältä Makita-jälleenmyyjältä.)



Käyttöäkseli:

Lisää rasvaa (Shell Alvania No. 2 tai vastaava) 30 käyttötunnin välein.



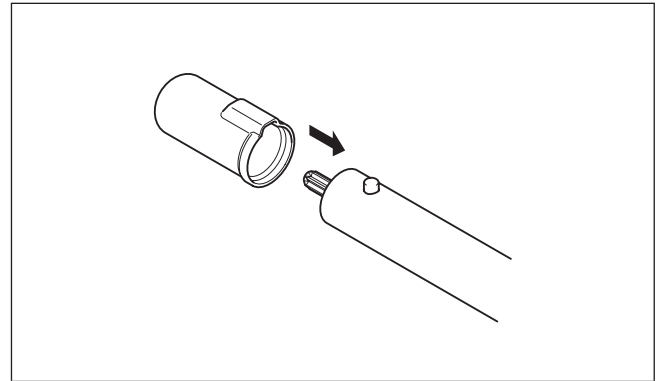
### Yleistarkastus

- Kiristä löysät pultit, mutterit ja ruuvit.
- Tarkista osien kunto. Jos vaurioituneita osia löytyy, vaihdata ne valtuutetussa Makita-huoltoliikkeessä.

## Säilytys

### ⚠ VAROITUS:

Noudata Turvallisuusohjeet-luvussa ja tehonlähteen käyttöohjeessa kerrottuja varoituksia ja varotoimia.



Jos säilytät reunaleikkuria erillään tehonlähteestä, aseta suojus paikalleen akselin päähän.

## Huolto-ohjelma

Käyttötunnit		Ennen käyttöä	Päivittäin (10 h)	30 h	Tarvittaessa	Vastaava sivu
Koko laite	Tarkasta, onko osissa näkyviä vaurioita.	○				27
Kaikki kiinnitysruuvit ja -mutterit	Kiristä.	○				27
Hammasrattaiston kotelo	Voitele.			○		27
Käyttöakseli	Voitele.			○		27
Leikkuuterä	Tarkasta, onko näkyviä vaurioita.	○	○			27
Tehonlähde	Katso tiedot tehonlähteen käyttöohjeesta.					

## Vianmääritys

Ongelma	Todennäköinen syy	Ratkaisu
Moottori ei käynnisty.	Katso tiedot tehonlähteen käyttöohjeesta.	
Moottori sammuu pian käynnistymisen jälkeen.		
Huippunopeus on liian alhainen.		
Leikkuutyökalu ei pyöri. → <b>Sammuta moottori heti!</b>	Leikkuuterä ei ole tiukasti paikallaan.	Kiristä leikkuuterä tiukasti.
	Leikkuuterän ja suojuksen väliin on tarttunut oksa.	Poista vieras aines.
	Voimansiirto ei toimi oikein.	Pyydä valtuutettua Makita-huoltoliikettä tarkastamaan ja korjaamaan laite.
Laitteessa ilmenee epätavallista tärinää. → <b>Sammuta moottori heti!</b>	Leikkuuterä on vääntynyt, kulunut tai murtunut.	Vaihda leikkuuterä uuteen.
	Leikkuuterä ei ole tiukasti paikallaan.	Kiristä leikkuuterä tiukasti.
	Leikkuuterää ei ole asennettu vasta-aluslevyyn.	Asenna leikkuuterä oikein.
	Voimansiirto ei toimi oikein.	Pyydä valtuutettua Makita-huoltoliikettä tarkastamaan ja korjaamaan laite.
Leikkuutyökalu ei pysähdy. → <b>Sammuta moottori heti!</b>	Tehonlähde ei toimi oikein.	Katso tiedot tehonlähteen käyttöohjeesta.

## Tekniset tiedot

Malli		EE400MP
Mitat (P x L x K)	mm	878 x 131 x 291
Nettopaino (ilman suojusta ja terää)	kg	2,4
Leikkuuterän halkaisija	mm	203
Välityssuhde		14/29

## EU-vaatimustenmukaisuusvakuutus

Valmistaja  
Liikeosoite

**Makita Europe N.V.**  
**Jan-Baptist Vinkstraat 2**  
**3070 Kortenberg**  
**BELGIUM**

valtuuttaa **Kazuhisa Makinon** laatimaan teknisen tiedoston ja vakuuttaa yksinomisella vastuullaan, että seuraavat tuotteet:

Kone ..... **Reunaleikkuri**

Tyyppi (tyypit) ..... **EE400MP**

täyttää kaikki direktiivin **2006/42/EY** soveltuvat määräykset

ja täyttävät myös seuraavien EY/EU-direktiivien vaatimukset: **2000/14/EY**

ja on valmistettu seuraavien yhdenmukaistettujen standardien mukaisesti: **ISO 11789:1999**

Vakuutuksen paikka ja päivämäärä: **Kortenberg, Belgia, 28.6.2023**

Vastuuhenkilö: **Kazuhisa Makino**



**Johtaja – Makita Europe N.V.**

**Indhold**

	<b>Side</b>
Indhold.....	30
Forord.....	30
Symboler .....	30
Godkendt drivenhed .....	31
Beskrivelse af dele .....	31
Sikkerhedsforholdsregler.....	31
Samling og justering.....	33
Betjening.....	33
Eftersyn og vedligeholdelse.....	34
Opbevaring.....	34
Vedligeholdelseskema .....	35
Fejlfinding .....	35
Tekniske data.....	35
EU-overensstemmelseserklæring .....	36

**Forord**

Tak fordi du har købt et kantskærertilbehør fra Makita. Dette tilbehør er designet til at blive monteret på en den Makita-drivenhed, som er nævnt i denne brugsanvisning.

Læs venligst dette hæfte og brugsanvisningen til drivenheden inden brug. Det vil gøre dig i stand til at opnå det bedst mulige resultat med dit kantskærertilbehør fra Makita.

**Symboler**

De følgende symboler er anvendt på tilbehøret og i denne brugsanvisning. Forstå disse definitioner.



Vær særlig forsigtig og opmærksom.



Læs brugsanvisningen.



Hold arbejdsområdet fri for personer



Bær beskyttelsesbriller og høreværn.



Bær beskytteshandsker.



Anvend kraftige støvler med skridsikre såler. Sikkerhedssko med stål-næse anbefales.



Forbudt!



Førstehjælp

## Godkendt drivenhed

Dette tilbehør er kun godkendt til brug med den/de følgende drivenhed(er):

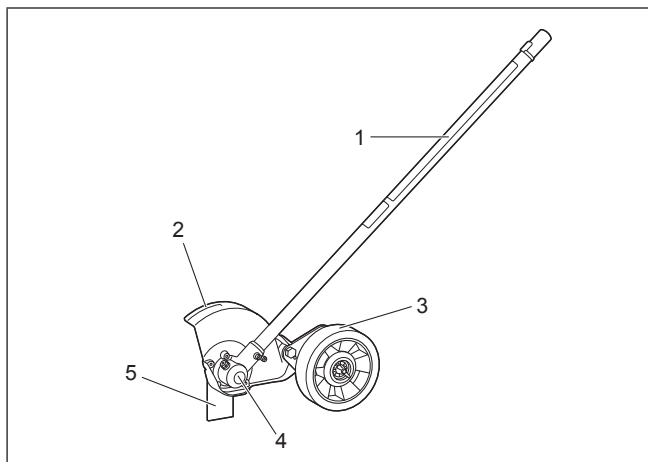
**EX2650LH Multifunktionelt værktøjshoved**  
**BUX360, BUX361, BUX362, UX360D, UX361D, UX362D, DUX60, DUX18, UX01G**

**Batteridrevet multifunktionelt værktøjshoved**

### ⚠ ADVARSEL:

Anvend aldrig dette tilbehør med en ikke-godkendt drivenhed. En ikke-godkendt kombination kan medføre alvorlig personskade.

## Beskrivelse af dele



Tallene nedenfor refererer til figuren.

1. Skaft
2. Klingehus
3. Hjul
4. Gearkasse
5. Klinge

## Sikkerhedsforholdsregler

### ⚠ ADVARSEL:

Læs alle sikkerhedsadvarsler og alle instruktioner i dette hæfte og brugsanvisningen til drivenheden. Det kan medføre elektrisk stød, brand og/eller alvorlig personskade, hvis du ikke overholder advarselne og følger instruktionerne.

Gem alle advarsler og instruktioner så du har dem til fremtidig brug.

Termen "kantskærer" og "udstyr" i advarselne og forholdsregler henviser til kombinationen af tilbehøret og drivenheden.

Termen "motor" i advarselne og forholdsreglerne henviser til motoren eller drivenhedens elektriske motor.

### Tilsigtet anvendelse

- Dette udstyr er kun beregnet til kantskæring af græsplænen sammen med en godkendt drivenhed. Anvend aldrig tilbehøret til nogen andre formål. Misbrug af tilbehøret kan medføre alvorlig personskade.

### Generelle forholdsregler

- Inden du starter udstyret, skal du læse dette hæfte og brugsanvisningen til drivenheden, så du er bekendt med håndteringen af udstyret.
- Lån ikke tilbehøret ud til en person med begrænset erfaring eller kendskab til håndteringen af udstyret.
- Vedlæg altid denne brugsanvisning, når tilbehøret lånes ud.
- Børn og unge personer under 18 år må ikke anvende udstyret. Hold dem væk fra udstyret.
- Håndter udstyret med allerstørste omhu og opmærksomhed.
- Anvend aldrig udstyret efter indtagelse af alkohol eller medicin, eller hvis du føler dig træt eller dårligt tilpas.

- Vær opmærksom på, at operatøren eller brugeren er ansvarlig for ulykker eller farlige situationer, der måtte opstå mod andre personer eller deres ejendele.
- Forsøg aldrig på at modificere tilbehøret.
- Overhold reglerne for håndtering af udstyret i dit land.

### Personligt sikkerhedsudstyr

- Bær sikkerhedshjelm, beskyttelsesbriller og beskyttelseshandsker for at beskytte dig selv mod flyvende afskårne stykker og faldende genstande.



- Anvend høreværn som f.eks. ørekopper at forhindre høretab.
- Bær passende tøj og sko af hensyn til sikker anvendelse, som f.eks. en arbejdsoverall og kraftige, skridsikre sko. Bær ikke løst tøj eller smykker. Løst tøj, smykker eller langt hår kan sidde fast i bevægelige dele.
- Bær beskyttelseshandsker ved berøring af klingerne. Du kan skære dine bare hænder voldsomt på klingerne.

### Sikkerhedsregler for arbejdsområdet

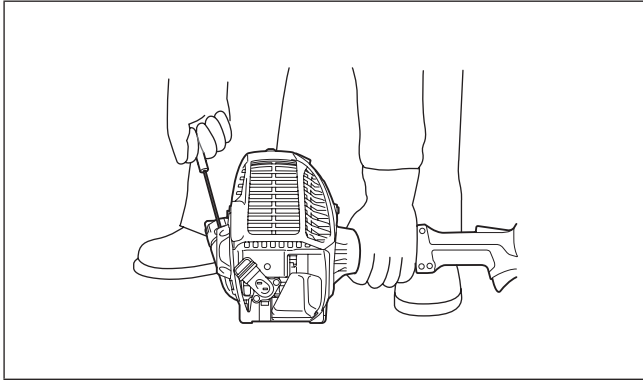
- Anvend kun udstyret under forhold med god sigtbarhed og i dagslys. Udstyret må ikke anvendes i mørke eller tåge.
- Start og anvend kun motoren udendørs på områder med god ventilation. Anvendelse på et indelukket eller dårligt ventileret område kan medføre død pga. kvælning eller kulliteforgiftning.
- Under anvendelsen må du aldrig stå på en ustabil eller glat overflade eller på en stejl bakke. Vær opmærksom på is og sne i den kolde sæson og sørg altid for at have et godt fodfæste.
- Hold folk i nærheden og dyr på mindst 15 meters afstand af udstyret under anvendelsen. Stop motoren så snart nogen nærmer sig.
- Undersøg arbejdsområdet for sten eller andre hårde genstande inden arbejdet udføres. De kan blive kastet ud eller forårsage alvorlige tilbagekast og derved resultere i alvorlige personskader og/eller materielle skader.
- ⚠ ADVARSEL: Brug af dette produkt kan udvikle støv indeholdende kemikalier, der kan medføre luftvejs- eller andre sygdomme. Eksempler på disse kemikalier er forbindelser fundet i pesticider, insektmidler, kunstgødninger og sprøjtegifte. Din risiko i forbindelse med udsættelse for disse kemikalier afhænger af, hvor ofte du udfører denne type arbejde. For at reducere udsættelsen for disse kemikalier: Udfør kun arbejde på områder med god ventilation og under anvendelse af godkendt sikkerhedsudstyr, såsom støvmasker, der er specielt konstrueret til at frafiltrere mikroskopiske partikler.

### Anvendelse

- Inden samling eller justering af udstyret skal du slukke for motoren og fjerne tændrørshætten eller batteripakken.
- Bær beskyttelseshandsker inden håndtering af klingens.
- Inden motoren startes, skal du efterse udstyret for skader, løse skruer/møtrikker og forkert samling. Hvis klingens er bøjet eller beskadiget, skal den udskiftes. Kontroller, at alle kontrolhåndtag og kontakter glider nemt. Rens og tør håndtagene godt.
- Forsøg aldrig på at starte motoren, hvis udstyret er beskadiget eller ikke er fuldstændig samlet. Ellers kan det medføre alvorlig personskade.
- Juster bæreselen og håndtaget så det passer til brugerens kropsstørrelse.

## Start af motoren

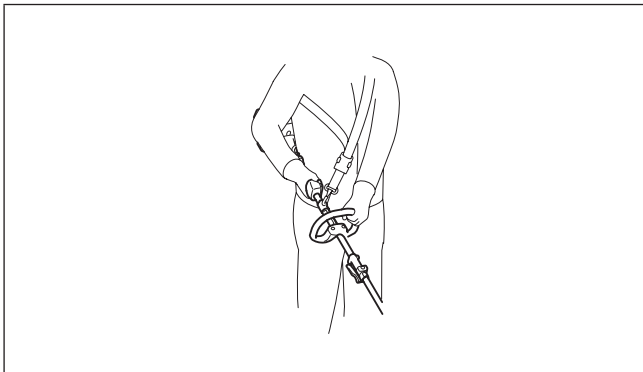
- Tag det personlige udstyr på inden start af motoren.
- Start motoren på mindst 3 meters afstand af stedet for brændstofpåfyldningen.
- Inden start af motoren skal du sikre dig, at der ikke er nogen personer eller dyr i arbejdsområdet.
- Når du starter motoren eller indsætter en batteripakke, skal du holde skæreværktøjet væk fra kroppen og andre genstande, inklusive jorden. Det kan eventuelt begynde at rotere ved start og forårsage tilskadekomst eller beskadige udstyret og/eller materiel.
- Placer udstyret på fast grund. Hold en god balance og et sikkert fodfæste.
- Når du trækker i starthåndtaget, skal du holde drivenheden fast mod jorden med venstre hånd. Træd aldrig på drivenhedens drivaksel.



- Følg brugsanvisningen til drivenheden for start af motoren.
- Hvis skæreværktøjet roterer i tomgang, skal du stoppe motoren og justere tomgangshastigheden ned.

## Betjening

- I nødstilfælde skal du straks slukke for motoren.
- Hvis bemærker noget unormalt (f.eks. støj, vibration) under anvendelsen, skal du slukke for motoren. Brug ikke udstyret før årsagen er fundet, og problemet er løst.
- Skæreværktøjet fortsætter med at rotere i en kort periode, efter gashåndtaget er sluppet, eller motoren er slukket. Rør ikke straks ved skæreværktøjet.
- Monter bæreselen med motoren kørende i tomgang.
- Brug bæreselen under anvendelsen af udstyret. Hold udstyret fast på din højre side.



- Hold det forreste håndtag med venstre hånd og det bagerste greb med højre hånd, uanset om du er højre- eller venstrehåndet. Hold rundt om håndtagene med fingre og tommeltotter.
- Forsøg aldrig at betjene udstyret med én hånd. Tab af kontrol kan medføre alvorlig eller dødelig tilskadekomst. For at reducere risikoen for tilskadekomst skal du holde hænder og fødder væk fra skæreværktøjet.
- Stræk dig ikke for langt frem. Bevar fodfæstet og balancen til enhver tid. Vær på vagt over for skjulte forhindringer som f.eks. træstubbe, rødder og grøfter, så du undgår at snuble.
- Arbejd aldrig stående på en stige eller oppe i et træ for at undgå tab af kontrol.
- Hvis udstyret bliver udsat for stærkt tryk eller tabes, skal du kontrollere tilstanden, inden du fortsætter arbejdet. Kontroller brændstofsystelet for brændstoflækage samt betjenings- og sikkerhedsudstyr for funktionsfejl. Hvis der er nogen skader eller

tvivlsspørgsmål, skal du bede et autoriseret Makita-servicecenter om at foretage eftersyn og reparation.

- Rør ikke ved gearkassen. Gearkassen bliver varm under anvendelsen.
- Hold pauser for at forhindre tab af kontrol pga. træthed. Vi anbefaler, at du tager en 10 til 20 minutters pause hver time.
- Når du forlader udstyret, selv hvis det kun er for kort tid, skal du altid slukke for motoren eller fjerne batteripakken. Hvis udstyret med kørende motor lades uden opsyn kan det blive anvendt af en uautoriseret person og medføre alvorlige ulykker.
- Følg brugsanvisningen til drivenheden angående korrekt brug af betjeningshåndtaget og kontakten.
- Placer ikke det varme udstyr på tørt græs eller brændbare materialer, hverken under eller efter anvendelsen.
- Hvis der sætter sig græs eller grene fast mellem skæreværktøjet og afskærmningen, skal du altid standse motoren og fjerne tændørshætten eller batteripakken inden rengøring. Ellers kan utilsigtet klingerotation muligvis forårsage alvorlige personskader.
- Hvis skæreværktøjet rammer sten eller andre hårde objekter, skal du straks slukke for motoren og efterse skæreværktøjet.
- Kontroller skæreværktøjet regelmæssigt for revner eller skader under anvendelsen. Inden eftersyn skal du slukke for motoren, og vente indtil skæreværktøjet er helt stoppet. Udskift straks beskadiget skæreværktøj, selv hvis det kun er overfladiske revner.
- Skær aldrig over hoftehøjde.
- Inden du påbegynder skærearbejde, skal du vente indtil skæreværktøjet når en konstant hastighed efter aktivering af gashåndtaget.
- Sørg altid for et godt fodfæste på skråninger.
- Gå, løb aldrig.
- Vær meget forsigtig, når du bakker eller trækker kantskæreren ind mod dig selv.
- Sørg for, at klingens er stoppet, inden du krydser andre overflader end græs, samt når kantskæreren transporteres til og fra det område, som skal kantskæres.
- Stop altid motoren, når du forlader kantskæreren.

## Skæreværktøjer

- Brug aldrig uegnede klinger, inklusive roterende kæder bestående af flere metalstykker og tærseklinger. Det kan muligvis medføre alvorlig personskade.
- Anvend altid en afskærmning for skæreværktøj, der passer til det anvendte skæreværktøj.

## Vibration

- Personer med dårligt blodomløb, der udsættes for kraftige vibrationer, risikerer beskadigelse af blodkar eller nervesystemet. Vibrationer kan medføre følgende symptomer i fingre, hænder eller håndled: Leddet "sover" (følelsesløshed), prikken, smerte, stikken, ændring af hudfarven eller af huden. Søg læge, hvis nogle af disse symptomer opstår!
- For at reducere risikoen for "hvide fingre-syndrom" skal du holde dine varme under anvendelsen og vedligeholde udstyret og tilbehøret ordentligt.

## Transport

- Inden transport af udstyret skal du slukke for motoren og fjerne tændørshætten eller batteripakken. Afmonter skæreværktøjet.
- Når udstyret transporteres, skal det holdes i skaftet og bæres i vandret position. Sørg for at holde den varme lyddæmper væk fra kroppen.
- Når udstyret transporteres i et køretøj, skal det fastspændes, så det ikke ruller rundt. Ellers kan det medføre brændstoflækage og beskadigelse af udstyret og anden bagage.

## Vedligeholdelse


- Få dit udstyr repareret på vores autoriserede servicecenter, hvor der altid anvendes originale reservedele. Forkert reparation og dårlig vedligeholdelse kan forkorte udstyrets levetid og forhøje risikoen for uheld.
- Inden der udføres vedligeholdelsesarbejde eller rengøring af udstyret, skal du altid slukke for motoren og fjerne tændørshætten eller batteripakken. Vent indtil motoren bliver kold.
- Udfør aldrig service på udstyret i nærheden af åben ild af hensyn til brandfare.
- Anvend altid beskyttelseshandsker ved håndtering af klingens.

- Rengør altid udstyret for støv og snavs. Brug aldrig benzin, benzen, fortynder, alkohol eller lignende til formålet. Det kan medføre misfarvning, deformation eller revner i plastikkomponenterne.
- Efter hver anvendelse skal alle skruer og møtrikker efterspændes, med undtagelse af karburatorjusteringsskruerne.
- Forsøg ikke at foretage nogen former for vedligeholdelse eller reparationer som ikke er beskrevet i dette hæfte eller i brugsanvisningen til drivenheden. Bed et autoriseret Makita-servicecenter om at udføre sådanne arbejder.
- Anvend kun originale reservedele og tilbehør fra Makita. Brug af dele eller tilbehør, som er leveret af en tredje part, kan medføre sammenbrud af udstyret, materielle skader og/eller alvorlig tilskadekomst.
- Bed et autoriseret Makita-servicecenter om at efterse og vedligeholde udstyret med regelmæssige mellemrum.

## Opbevaring

- Foretag fuld rengøring og vedligeholdelse inden udstyret sættes til opbevaring. Fjern tændrørshætten eller batteripakken. Tøm motoren for brændstof, når den er kølet af. Afmonter skæreværktøjet.
- Hvis brændstoftanken skal tømmes, skal dette udføres udendørs.
- Opbevar udstyret på et tørt og højtbeliggende eller aflåst sted uden for børns rækkevidde.
- Læn ikke udstyret op ad noget andet som f.eks. en væg. Ellers kan den pludselig falde ned og forårsage personskade.

## Førstehjælp

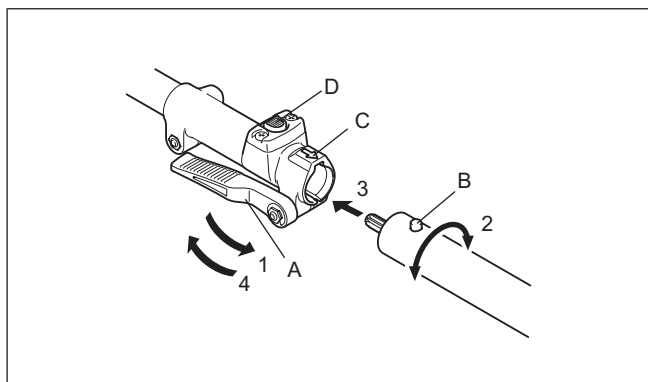
-  Hav altid en førstehjælpskasse i nærheden. Erstat straks de ting der benyttes fra førstehjælpskassen.
- Oplys følgende hvis du tilkalder hjælp:
  - Stedet hvor ulykken er sket
  - Hvad der er sket
  - Antallet af tilskadede personer
  - Hvad slags tilskadekomst
  - Dit navn

## Samling og justering

### ADVARSEL:

- Inden samling eller justering af udstyret skal du slukke for motoren og fjerne tændrørshætten eller batteripakken. Ellers kan skæreværktøjet eller andre dele begynde at køre og resultere i alvorlig tilskadekomst.
- Bær beskyttelseshandsker inden håndtering af klingen. Under montering eller justering kan dine fingre komme i kontakt med klingen, og det kan medføre alvorlig personskade.
- Læg altid udstyret ned ved samling eller justering. Samling eller justering af udstyret i en oprejst position kan medføre alvorlig tilskadekomst.
- Overhold advarslerne og forholdsreglerne i kapitlet "Sikkerhedsforholdsregler" og brugsanvisningen til drivenheden.

## Montering af tilbehøret på en drivenhed



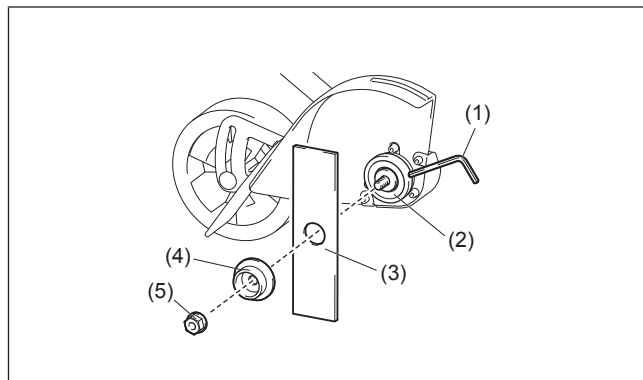
Følg trinene nedenfor for at montere tilbehøret på en drivenhed.

1. Sørg for at låsehåndtaget (A) ikke er spændt.
2. Ret stiften (B) ind efter pilemærket (C).
3. Sæt skaftet ind i drivakslens på drivenheden indtil udløsningsknappen (D) springer ud.

4. Stram låsehåndtaget (A) ordentligt til som vist. For at afmontere tilbehøret skal du løsne låsehåndtaget, trykke på låseknappen og trække skaftet ud.

**BEMÆRK:** Stram ikke låsehåndtaget (A) til, hvis tilbehørets skaft ikke er indsat. Ellers kan låsehåndtaget muligvis forårsage, at drivakslens indgang spændes for hårdt og beskadiges.

## Montering og afmontering af klingen



1. Drej modtageskiven (2) så hullet i modtageskiven rettes ind med hullet i gearkassen.
2. Sæt unbrakonøglen (1) ind gennem hullet. Sørg for, at modtageskiven ikke drejer.
3. Hold i unbrakonøglen og drej møtrikken (5) med uret vha. en topnøgle.
4. Fjern møtrikken og spændestykket (4).
5. Placer klingen (3).
6. Sæt spændestykket og møtrikken tilbage.
7. Hold i unbrakonøgle og drej møtrikken mod uret for at fastgøre klingen.

Udfør trinene ovenfor i omvendt rækkefølge for at afmontere klingen.

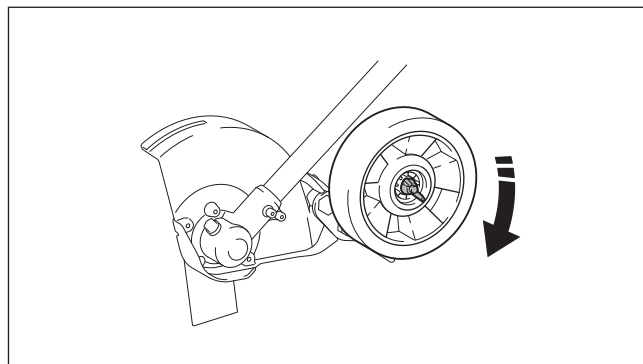
**BEMÆRK:** Møtrikken til fastspænding af klingen (med fjederskive) slides op med tiden. Hvis der kan ses slid eller deformation på møtrikken, skal du udskifte den.

## Betjening

### ADVARSEL:

- Hvis skæreværktøjet bevæger sig i tomgang, skal du justere motorens tomgangshastighed ned. Ellers kan du ikke stoppe skæreværktøjet ved at slippe gassen, og det kan forårsage alvorlig personskade.
- Overhold advarslerne og forholdsreglerne i kapitlet "Sikkerhedsforholdsregler" og brugsanvisningen til drivenheden.

## Justering af klingedybden



- Løsn møtrikken på hjulet.
- Flyt hjulet og juster højden i henhold til betjeningen, og stram derefter møtrikken.

## Tips til betjening

- Inden kantskæring skal du vande området for at blødgøre jorden og gøre kantskæringen nemmere.
- Inden kantskæring skal du kontrollere området og fjerne alle forhindringer og genstande, som kan blive kastet væk.

- Foretag kantskæring jævnligt for at gøre det nemmere at bevare en pæn kant og for at undgå at arbejde mere end én gang på det samme sted.

**BEMÆRK:**

- Klangedybden skal muligvis justeres pga. forskelle i højden mellem den hårde overflade og toppen af græsset.
- Juster klingens dybde så der skæres et fint snit mellem fortovet og græsset vha. en minimal klangedybde, normalt med ca. 13 mm af klingens nede i jorden.

## Eftersyn og vedligeholdelse

**⚠ ADVARSEL:**

- Inden eftersyn eller vedligeholdelse af udstyret skal du slukke for motoren og fjerne tændrørshætten eller batteripakken. Ellers kan skæreværktøjet eller andre dele begynde at køre og resultere i alvorlig tilskadecomst.
- Læg altid udstyret ned ved eftersyn eller vedligeholdelse. Samling eller justering af udstyret i en oprejst position kan medføre alvorlig tilskadecomst.
- Overhold advarslerne og forholdsreglerne i kapitlet "Sikkerhedsforholdsregler" og brugsanvisningen til drivenheden.

### Slibning af skæreværktøjet

**⚠ ADVARSEL:**

Du skal ikke slibe klingerne selv. Manuel slibning ødelægger klingens balance og kan medføre vibrationer og beskadige udstyret.

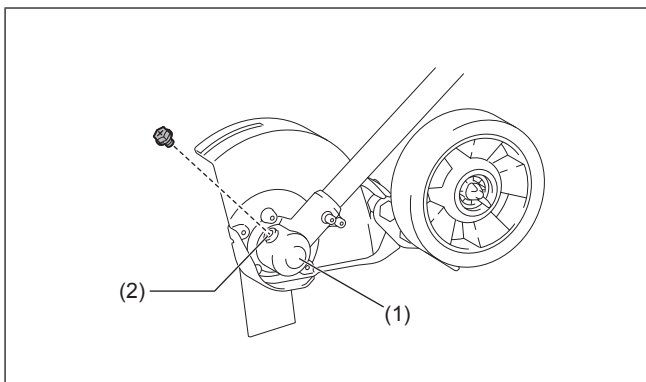
Bed et autoriseret Makita-servicecenter om at slibe og afbalancere sløve klinger.

### Smøring af bevægelige dele

**BEMÆRK:** Følg instruktionen for smøringshyppighed og smørelsesmængde. Ellers kan utilstrækkelig smøring medføre beskadigelse af bevægelige dele.

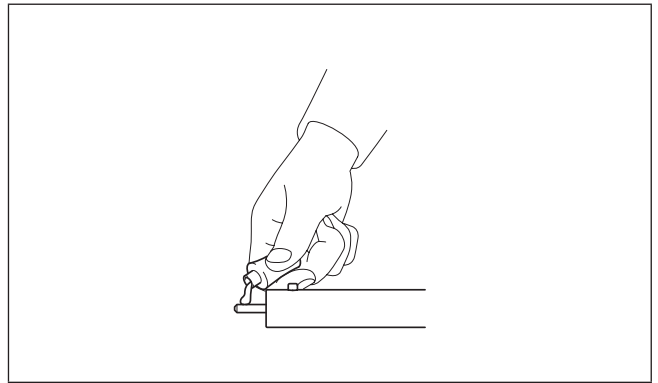
Gearkasse:

Tilføj smøremiddel (Shell Alvania 2 eller tilsvarende) til gearkassen (1) gennem smørehullet (2) hver 30 timers drift. (Ægte Makita-smøremiddel kan anskaffes fra din lokale Makita-forhandler.)



Drivaksel:

Tilføj smørelse (Shell Alvania nr. 2 eller tilsvarende) efter hver 30 timers anvendelse.



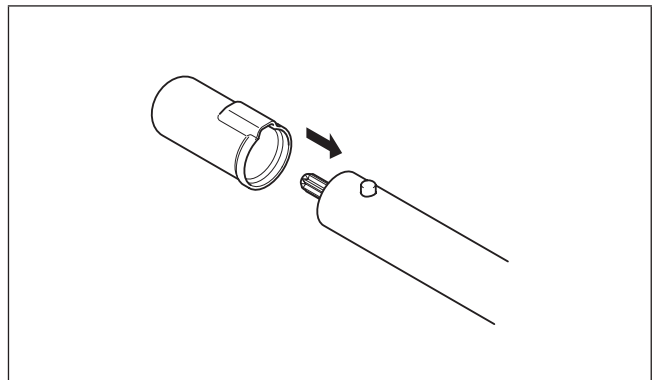
### Overordnet eftersyn

- Spænd løse bolte, møtrikker og skruer.
- Kontroller beskadigede dele. Bed et autoriseret Makita-servicecenter om at udskifte dem.

## Opbevaring

**⚠ ADVARSEL:**

Overhold advarslerne og forholdsreglerne i kapitlet "Sikkerhedsforholdsregler" og brugsanvisningen til drivenheden.



Når kantskærertilbehøret opbevares separat fra drivenheden, skal du sætte dækslet fast på enden af skaftet.

## Vedligeholdelsesskema

Driftstid		Inden anvendelse	Dagligt (10 t)	30 t	Om nødvendigt	Modsvarende side
Hele enheden	Efterse visuelt for beskadigede dele	○				34
Alle fastgørelsesskruer og møtrikker	Stram	○				34
Gearkasse	Tilføj smøremiddel			○		34
Drivaksel	Tilføj smøremiddel			○		34
Klinge	Efter visuelt for skader	○	○			34
Drivenhed	Se i brugsanvisningen til drivenheden					

## Fejlfinding

Problem	Sandsynlig årsag	Afhjælpning
Motoren starter ikke.	Se i brugsanvisningen til drivenheden.	
Motoren stopper snart, efter den er startet.		
Den maksimale hastighed er begrænset.		
Skæreværktøjet roterer ikke. → <b>Stop straks motoren!</b>	Klingen er ikke strammet ordentligt.	Stram klingen ordentligt.
	Der sidder en gren fast mellem klingen og afskærmningen.	Fjern fremmedlegemerne.
	Drivsystemet fungerer ikke ordentligt.	Bed et autoriseret Makita-servicecenter om at efterse og reparere det.
Enheden vibrerer unormalt. → <b>Stop straks motoren!</b>	Klingen er bøjet, slidt eller brækket.	Udskift klingen med en ny.
	Klingen er ikke strammet ordentligt.	Stram klingen ordentligt.
	Klingen er ikke fastgjort på modtageskiven.	Monter klingen ordentligt.
	Drivsystemet fungerer ikke ordentligt.	Bed et autoriseret Makita-servicecenter om at efterse og reparere det.
Skæreværktøjet stopper ikke. → <b>Stop straks motoren!</b>	Drivenheden fungerer ikke ordentligt.	Se i brugsanvisningen til drivenheden.

## Tekniske data

Model	EE400MP	
Mål (L x B x H)	mm	878 x 131 x 291
Nettovægt (Ikke inkl. afskærmning og klinge)	kg	2,4
Klangediameter	mm	203
Gearforhold	14/29	

## EU-overensstemmelseserklæring

Vi, producenterne **Makita Europe N.V.**  
Forretningsadresse **Jan-Baptist Vinkstraat 2**  
**3070 Kortenberg**  
**BELGIEN**

Godkender **Kazuhisa Makino** til kompilering af den tekniske fil og erklærer under vores eneansvar, at produktet (erne);

Betegnelse..... **Kantskærertilbehør**

Typebetegnelse(r)..... **EE400MP**

Opfylder alle de relevante bestemmelser i **2006/42/EF**

og opfylder også alle relevante bestemmelser i følgende EF/EU-direktiver: **2000/14/EF**

og er produceret i henhold til følgende harmoniserede standarder: **ISO 11789:1999**

Sted og dato for erklæring: **Kortenberg, Belgien, 28.6.2023**

Ansvarlig person: **Kazuhisa Makino**



**Direktør - Makita Europe N.V.**

**Saturs****Lappuse**

Saturs .....	37
Priekšvārds.....	37
Simboli .....	37
Apstiprināts jaudas bloks.....	38
Daļu apraksts.....	38
Drošības pasākumi.....	38
Montāža un regulēšana .....	40
Ekspluatācija .....	40
Pārbaude un tehniskā apkope.....	41
Uzglabāšana.....	41
Tehniskās apkopes grafiks .....	42
Problēmu novēršana .....	42
Tehniskie dati.....	42
ES atbilstības deklarācija .....	43

**Priekšvārds**

Pateicamies, ka iegādājāties Makita malu apgriezēja papildierīci. Šī papildierīce ir paredzēta uzstādīšanai Makita jaudas blokam, kas norādīts šajā instrukciju rokasgrāmatā.

Pirms lietošanas, lūdzu, izlasiet šo brošūru un jaudas bloka instrukciju rokasgrāmatu. Tas palīdzēs gūt labākos iespējamus rezultātus ar Makita malu apgriezēja papildierīci.

**Simboli**

Uz papildierīces vai šajā lietošanas rokasgrāmatā ir izmantoti šādi simboli. Izprotiet norādītās definīcijas.



Esiet īpaši rūpīgi un uzmanīgi



Izlasiet rokasgrāmatu



Neļaujiet darba zonā atrasties cilvēkiem



Lietojiet acu un ausu aizsargus



Valkājiet aizsargcimdus



Valkājiet cietus apavus ar neslīdošām zolēm. Ieteicami apavi ar tērauda purngaliem



Aizliegts!



Pirmā palīdzība

## Apstiprināts jaudas bloks

Šī papildierīce ir apstiprināta lietošanai tikai ar šādu(-iem) jaudas bloku(-iem):

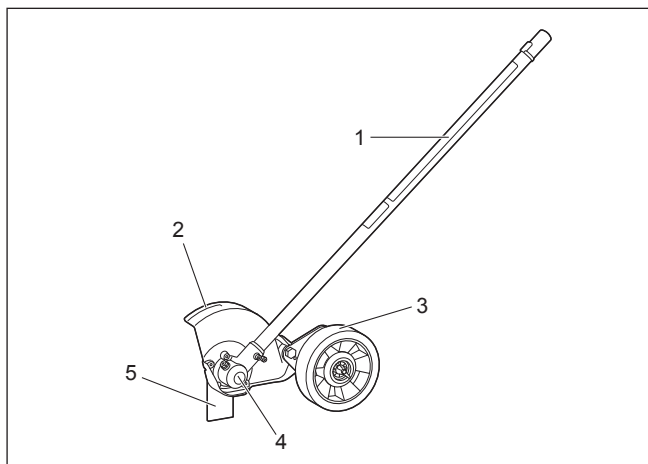
**EX2650LH Daudzfunkciju instrumentgalva**  
**BUX360, BUX361, BUX362, UX360D, UX361D, UX362D, DUX60, DUX18, UX01G**

Bezvada daudzfunkciju instrumentgalva

### ⚠ BRĪDINĀJUMS:

Nekad neizmantojiet papildierīci kopā ar neapstiprinātu jaudas bloku. Neapstiprināta kombinācija var izraisīt nopietnus ievainojumus.

## Detalju apraksts



Turpmāk norādītie cipari attiecas uz attēlu.

1. Vārpsta
2. Asmens korpusis
3. Ritenis
4. Pievada korpusis
5. Asmens

## Drošības pasākumi

### ⚠ BRĪDINĀJUMS:

Izlasiet visus drošības brīdinājumus un visas šajā brošūrā iekļautās instrukcijas, kā arī jaudas bloka instrukciju rokasgrāmatu. Ja netiek ievēroti visi brīdinājumi un norādījumi, var saņemt elektriskās strāvas triecienu, izraisīt ugunsgrēku un/vai gūt nopietnus ievainojumus.

Saglabājiet visus brīdinājumus un norādījumus turpmākai uzzīņai.

Termins „malu apgriezējs” un „ierīce” brīdinājuma un piesardzības norādījumos attiecas uz papildierīces un jaudas bloka kombināciju. Termins „motors” brīdinājuma un piesardzības norādījumos attiecas uz jaudas bloka dzinēju vai elektromotoru.

### Paredzētā izmantošana

- Šī ierīce ir paredzēta tikai mauriņa malu apgriešanai kopā ar apstiprinātu jaudas bloku. Nekad neizmantojiet papildierīci jebkādiem citiem mērķiem. Nepareiza papildierīces izmantošana var izraisīt smagus ievainojumus.

### Vispārīgi norādījumi

- Pirms ierīces izmantošanas izlasiet šo brošūru un jaudas bloka instrukciju rokasgrāmatu, lai pārzinātu darbu ar ierīci.
- Neaizdodiet papildierīci personai, kurai nav pietiekamas pieredzes vai zināšanu par ierīces izmantošanu.
- Aizdodot papildierīci, vienmēr pievienojiet instrukciju rokasgrāmatu.
- Neļaujiet ierīci izmantot bērniem vai personām, kas jaunākas par 18 gadiem. Nodrošiniet, lai tie neatrastos ierīces tuvumā.
- Rīkojieties ar ierīci maksimāli uzmanīgi un rūpīgi.

- Nekad neizmantojiet ierīci pēc alkohola vai narkotiku lietošanas vai, ja esat noguris/-usi vai slims/-a.
- Ņemiet vērā, ka operators vai lietotājs ir atbildīgs par negadījumiem vai apdraudējumu, kas radīts citiem cilvēkiem vai to īpašumam.
- Nekad nemēģiniet pārveidot papildierīci.
- Ievērojiet savas valsts noteikumus par ierīces izmantošanu.

### Personīgais aizsargaprīkojums

- Lietojiet aizsargķiveri, aizsargbrilles un aizsargcimdus, lai sevi pasargātu no lidojošiem gružiem vai krītošiem priekšmetiem.



- Lai novērstu dzirdes bojājumus, lietojiet dzirdes aizsarglīdzekļus, piemēram, aizsargaustiņus.
- Lai nodrošinātu drošu izmantošanu, valkājiet atbilstošu apģērbu un apavus, piemēram, slēgtus, stingrus, neslīdošus apavus. Nevalkājiet vaļīgu apģērbu vai juvelierizstrādājumus. Vaļīgs apģērbs, rotaslietas vai gari mati var iekerties kustīgajās daļās.
- Pieskaroties griezējasmehānismam, izmantojiet aizsargcimdus. Griezējasmehānisms var smagi sagriezt kailas rokas.

### Darba zonas drošība

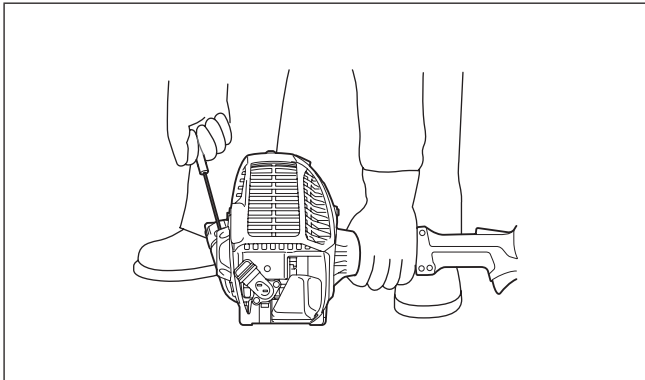
- Izmantojiet ierīci tikai labas redzamības apstākļos un dienas gaismā. Neizmantojiet ierīci tumsā vai miglas apstākļos.
- Iedarbiniet un darbiniet dzinēju tikai ārpus telpām, labi vēdinātā vietā. Izmantošana slēgtā vai vāji vēdināmā vietā ar izraisīt nāvi nosmakšanas vai saindēšanās ar oglekļa monoksīdu dēļ.
- Izmantošanas laikā nekad nestāviet uz nestabilas vai slidenas virsmas vai uz stāvas nogāzes. Aukstās sezonas laikā ņemiet vērā ledus un sniega radītos riskus un vienmēr nodrošiniet drošu pamatu.
- Izmantošanas laikā nodrošiniet, lai cilvēki vai dzīvnieki neatrastos tuvāk par 15 m no ierīces. Izslēdziet motoru, tiklīdz kāds tuvojas.
- Pirms izmantošanas pārbaudiet, vai darba zonā nav akmeņi vai citi cieti priekšmeti. Tos var aizķert un izmest, un tie var izraisīt bīstamu atsitienu un smagus ievainojumus, un/vai īpašuma bojājumus.
- ⚠ BRĪDINĀJUMS: Šī izstrādājuma izmantošanas dēļ var veidoties ķīmiski putekļi, kas var izraisīt elpošanas ceļu vai citas slimības. Dažas šīs ķīmiskās vielas ir pesticīdu, insekticīdu, mākslīgā mēslojuma un herbicīdu sastāvā. Šī riska ietekme uz veselību ir atkarīga no tā, cik bieži veic šādu darbu. Lai samazinātu jūsu pakļautību šo ķīmisko vielu iedarbībai, strādājiet labi vēdinātā darba vietā un ar apstiprinātiem drošības piederumiem, piemēram, respiratoriem, kas ir speciāli paredzēti, lai filtrētu mikroskopiskas daļiņas.

### Ekspluatācijas sākšana

- Pirms ierīces montāžas vai regulēšanas izslēdziet motoru un atvienojiet aizdedzes sveci vai akumulatora bloku.
- Pirms rīkošanās ar griezējasmehānismu uzvelciet aizsargcimdus.
- Pirms darbināt motoru, pārbaudiet, vai ierīce nav bojāta, vai nav vaļīgu skrūvju/uzgriežņu un vai tā ir pareizi samontēta. Ja griezējasmehānisms ir saliekts vai bojāts, nomainiet to. Pārbaudiet, vai visas vadības sviras un slēdži darbojas viegli. Notīriet un nožāvējiet rokturus.
- Nekad nemēģiniet iedarbināt motoru, ja ierīce ir bojāta vai nav pilnībā samontēta. Citādi var gūt nopietnus ievainojumus.
- Neregulējiet plecu siksnas un rokturi atbilstoši operatora ķermeņa izmēram.

## Motora iedarbināšana

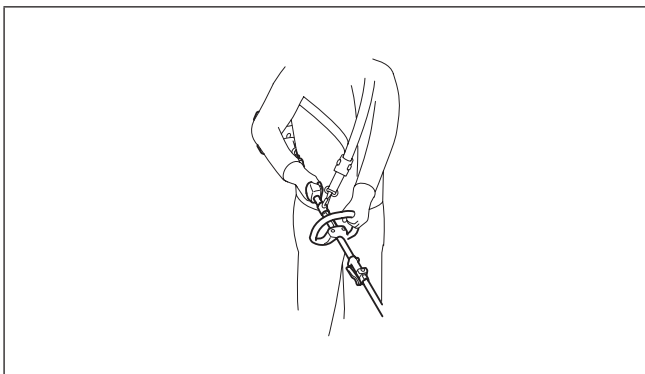
- Pirms motora iedarbināšanas uzvelciet individuālos aizsarglīdzekļus.
- Iedarbiniet dzinēju vismaz 3 metru (10 pēdu) attālumā no degvielas uzpildes vietas.
- Pirms motora iedarbināšanas pārliecinieties, vai darba zonā nav cilvēku vai dzīvnieku.
- Iedarbinot dzinēju vai ievietojot akumulatora bloku, turiet ierīci tā, lai griezējinstrumenta neskartos pie jūsu ķermeņa un citiem objektiem, tostarp zemes. Pēc iedarbināšanas tas var izkustēties un izraisīt ievainojumus vai sabojāt ierīci un/vai tīrāšumu.
- Novietojiet ierīci uz stingra pamata. Nodrošiniet labu līdzsvaru un drošu pamatu.
- Velkot startera kloķi, ar kreiso roku turiet jaudas bloku stingri pret zemi. Nekad nekāpiet uz jaudas bloka piedziņas vārpstas.



- Ievērojiet jaudas bloka instrukciju rokasgrāmatā sniegtos norādījumus par motora iedarbināšanu.
- Ja griezējinstrumenta kustas tukšgaitā, izslēdziet dzinēju un noregulējiet zemākus tukšgaitas apgriezienus.

## Ekspluatācija

- Avārijas situācijā nekavējoties izslēdziet motoru.
- Ja izmantošanas laikā ievērojat kādu neparastu parādību (piem., troksni, vibrāciju), izslēdziet motoru. Neizmantojiet ierīci, kamēr nav konstatēts un novērsts cēlonis.
- Griezējinstrumenta turpina kustēties īsu brīdi pēc drošes slēdža atlaišanas vai motora izslēgšanas. Nesteidzieties pieskarties griezējinstrumentam.
- Dzinējam darbojoties tukšgaitā, piestipriniet plecu siksnas.
- Izmantošanas laikā lietojiet plecu siksnas. Stingri turiet ierīci labajā pusē.



- Turiet priekšējo rokturi ar kreiso roku un aizmugurējo rokturi ar labo roku neatkarīgi no tā, vai esat kreilais vai labrocis. Apmēriet ar pirkstiem rokturus.
- Nekad nemēģiniet darbināt ierīci ar vienu roku. Kontroles zaudēšana var izraisīt smagus vai letālus ievainojumus. Lai samazinātu ievainojumu gūšanas risku, turiet rokas un kājas drošā attālumā no griezējinstrumenta.
- Nesniedzieties pārāk tālu. Vienmēr saglabājiet atbilstošu atbalstu kājām un līdzsvaru. Lai izvairītos no pakļūšanas, uzmanieties no slēptiem šķēršļiem, piemēram, koku celmiem, saknēm un grāvjiem.
- Lai nezaudētu kontroli, nekad nestrādājiet, atrodoties uz kāpnēm vai kokā.
- Ja ierīce ir saņēmusi smagu triecienu vai kritusi, pārbaudiet tās stāvokli, pirms turpināt darbu. Pārbaudiet, vai degvielas sistēmā

- nav noplūžu un vai drošības ierīcēm nav kļūmju. Ja ir bojājumi vai rodas šaubas, vērsieties Makita pilnvarotajā apkopes centrā, lai veiktu pārbaudi un remontu.
- Neskariet pievada korpusu. Izmantošanas laikā pievada korpusi kļūst karsti.
- Regulāri atpūties, lai novērstu noguruma izraisītu kontroles zudumu. Mēs iesakām atpūties 10 līdz 20 minūtes ik pēc stundas.
- Atstājot ierīci pat uz īsu brīdi, vienmēr izslēdziet dzinēju vai izņemiet akumulatora bloku. Dzinējam darbojoties, nepieskatītu ierīci var izmantot nepilnvarota persona un izraisīt nopietnu negadījumu.
- Informāciju par pareizu vadības sviras un slēdža izmantošanu skatiet jaudas bloka instrukciju rokasgrāmatā.
- Izmantošanas laikā vai pēc tās nenovietojiet karstu ierīci uz sausas zāles vai viegli uzliesmojošiem materiāliem.
- Ja starp griezējinstrumentu un aizsargu iekeras zāle vai zari, pirms tīrīšanas vienmēr apturiet motoru un noņemiet aizdedzes sveces vāciņu vai akumulatora bloku. Citādi nejauša asmens griešanās var izraisīt smagus ievainojumus.
- Ja griezējinstrumenta saskaras ar akmeņiem vai citiem cietiem priekšmetiem, nekavējoties izslēdziet motoru un pārbaudiet griezējinstrumentu.
- Eksploatācijas laikā bieži pārbaudiet, vai griezējinstrumentam nav plaisas vai bojājumi. Pirms pārbaudies izslēdziet motoru un pagaidiet, līdz griezējinstrumenta pilnībā apstājas. Bojātu griezējinstrumentu nomainiet nekavējoties pat tad, ja tam ir tikai virsējas plaisas.
- Nekad negrieziet augstāk par vidukļa augstumu.
- Pirms griešanas sākšanas pagaidiet, kamēr griezējinstrumenta sasniedz nemainīgu ātrumu pēc mēlītes nospiešanas.
- Strādājot nogāzē, nodrošiniet stabilu kāju atbalstu.
- Pārvietojieties staigājot, nevis skrienot.
- Esiet īpaši uzmanīgi, apgriezot malu apgriezēju vai velkot to pret sevi.
- Pārbaudiet, vai asmens ir apstājies, kad šķērsojat segumu, kas nav zāle, kā arī pārvietojat malu apgriezēju uz malu apgriešanas vietu un no tās.
- Vienmēr, atstājot malu apgriezēju bez uzraudzības, apturiet dzinēju.

## Griezējinstrumenti

- Nekad neizmantojiet nepiemērotus asmeņus, tostarp vairāku posmu metāla ķēdes un sprigula asmeņus. Tādējādi var gūt smagus ievainojumus.
- Vienmēr izmantojiet griezējinstrumenta aizsargu, ka ir atbilstīgi piemērots izmantotajam griezējinstrumentam.

## Vibrācija

- Ja cilvēki ar vāju asinsriti ir pakļauti pārmērīgai vibrācijai, tiem var rasties asinsvadu vai nervu sistēmas ievainojumi. Vibrācija var radīt šādus simptomus pirkstos, plaukstās vai plaukstu locītavās: „iemiģšanu” (nejutīgumu), tirpšanu, sāpes, durstīgas sajūtas, izmaiņas ādas krāsā vai ādas izmaiņas. Ja novērojami kādi no minētajiem simptomiem, apmeklējiet ārstu!
- Lai samazinātu „balto pirkstu slimības” rašanās risku, eksploatācijas laikā uzturiet rokas siltas un veiciet kārtīgu apkopi aprīkojumam un piederumiem.

## Transportēšana

- Pirms ierīces transportēšanas izslēdziet motoru un noņemiet aizdedzes sveces vāciņu vai akumulatora bloku. Noņemiet griezējinstrumentu.
- Pārvietojot ierīci, nesiet to horizontālā pozīcijā, turot vārpstu. Turiet tā, lai karstais klusinātājs neskartu ķermeni.
- Transportējot transportlīdzeklī, pareizi nostipriniet ierīci, lai novērstu tās apgāšanos otrādi. Citādi var izšļakstīties degviela un tikt sabojāta ierīce vai cita bagāža.

## Tehniskā apkope


- Nododiet ierīci apkopei pilnvarotā servisa centrā un vienmēr izmantojiet tikai oriģinālās rezerves daļas. Nepareiza labošana un slikta apkope var saīsināt aprīkojuma kalpošanas laiku un palielināt negadījumu risku.
- Vienmēr pirms ierīces apkopes, remonta vai tīrīšanas darbiem izslēdziet motoru un noņemiet aizdedzes sveces vāciņu vai akumulatora bloku. Pagaidiet, līdz motors atdziest.

- Lai samazinātu aizdegšanās risku, nekad neveiciet ierīces apkopi uguns tuvumā.
- Strādājot ar griezējasmēni, vienmēr lietojiet aizsargcimdus.
- Vienmēr notīriet no ierīces putekļus un netīrumus. Šim mērķim nekad neizmantojiet gazoilnu, benzīnu, atšķaidītāju, spirtu vai līdzīgus šķidrumus. Var notikt plastmasas komponentu krāsas maiņa, deformēšanās vai saplaisāšana.
- Pēc katras izmantošanas reizes pievelciet visas skrūves un uzgriežņus, izņemot karburatora regulēšanas skrūves.
- Neveiciet nekādus apkopes vai remonta darbus, par kuriem nav aprakstīts šajā brošūrā vai jaudas bloka instrukciju rokasgrāmatā. Šādu darbu lūdziet veikt Makita pilnvarotajā apkopes centrā.
- Vienmēr izmantojiet tikai Makita oriģinālās rezerves daļas un piederumus. Izmantojot trešo pušu nodrošinātās detaļas un piederumus, var izraisīt ierīces bojājumus, īpašuma bojājumus un/vai smagus ievainojumus.
- Lūdziet Makita pilnvarotajam apkopes centram veikt regulāras ierīces pārbaudes un apkopes.

## Uzglabāšana

- Pirms ierīces uzglabāšanas veiciet visas tīrīšanas un apkopes procedūras. Noņemiet aizdedzes sveces vāciņu vai akumulatora bloku. Pēc dzinēja atdzišanas iztecīniet degvielu. Noņemiet griezējinstrumentu.
- Ja ir jāizteicina degvielas tvertne, tas jādara ārpus telpām.
- Uzglabājiet ierīci sausā un augstā vai aizslēgtā vietā, kas nav pieejama bērniem.
- Neatbalstiet aprīkojumu, piemēram, pret sienu. Tā var pēkšņi krist un izraisīt ievainojumus.

## Pirmā palīdzība

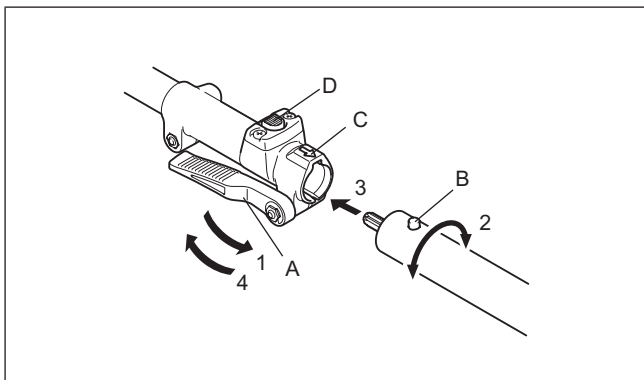
-  Vienmēr nodrošiniet, lai tuvumā būtu pirmās palīdzības aptieciņa. Ja no pirmās palīdzības aptieciņas paņemts kāds priekšmets, nekavējoties atlieciet vietā jaunu.
- Lūdzot palīdzību, vienmēr sniedziet šādu informāciju:
  - negadījuma vieta
  - kas tieši atgadījās
  - ievainoto personu skaits
  - ievainojuma raksturs
  - jūsu vārds

## Montāža un regulēšana

### BRĪDINĀJUMS:

- Pirms ierīces montāžas vai regulēšanas izslēdziet motoru un atvienojiet aizdedzes sveci vai akumulatora bloku. Citādi griezējinstrumenti vai citas daļas var izkustēties un izraisīt smagus ievainojumus.
- Pirms rīkošanās ar griezējasmēni, uzvelciet aizsargcimdus. Uzstādīšanas vai noregulēšanas laikā pirksti var saskarties ar griezējasmēni, un tas var izraisīt smagus ievainojumus.
- Montējot vai regulējot ierīci, vienmēr novietojiet to uz zemes. Montējot vai regulējot ierīci stateniskā pozīcijā, var izraisīt smagus ievainojumus.
- Ievērojiet brīdinājumus un piesardzības pasākumus, kas norādīti sadaļā „Drošības pasākumi” un jaudas bloka instrukciju rokasgrāmatā.

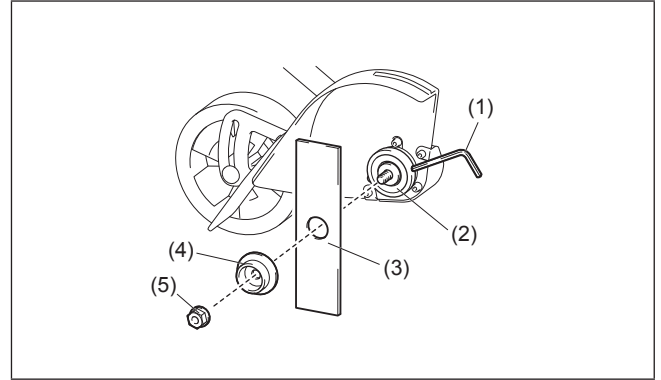
## Papildierīces piestiprināšana pie jaudas bloka



Lai piestiprinātu papildierīci pie jaudas bloka, rīkojieties turpmāk norādītajā veidā.

1. Pārbaudiet, vai aiztura svira (A) nav nostiprināta.
  2. Savietojiet tapu (B) ar bultiņas atzīmi (C).
  3. Ievietojiet vārpstu jaudas bloka piedziņas vārpstā, kamēr izlec fiksēšanas poga (D).
  4. Cieši nostipriniet aiztura sviru (A), kā parādīts.
- Lai noņemtu papildierīci, atlaidiet aiztura sviru, nospiediet fiksēšanas pogu un izņemiet vārpstu.
- PIEZĪME:** Nostipriniet aiztura sviru (A), ja nav ievietota papildierīces vārpsta. Citādi aiztura svira var pārāk cieši savilkāt piedziņas vārpstas atveri un to bojāt.

## Asmens uzstādīšana un noņemšana



1. Pagrieziet uztverošo starpliku (2) tā, lai atvere uztverošajā starplikā savietojas ar atveri pievada korpusā.
2. Atverēs ievietojiet sešstūru uzgriežņu atslēgu (1). Nodrošiniet, lai uztverošā starplika nepagriežas.
3. Turot sešstūru uzgriežņu atslēgu, ar šarnīruzgriežņatslēgu pagrieziet uzgriezni (5) pulksteņrādītāja virzienā.
4. Noņemiet uzgriezni un apskavu (4).
5. Uzlieciet asmeni (3).
6. Atlieciet atpakaļ apskavu un uzgriezni.
7. Turot sešstūru uzgriežņu atslēgu, pagrieziet uzgriezni pretēji pulksteņrādītāja virzienam.

Lai noņemtu asmeni, veiciet norādītās darbības pretējā secībā.

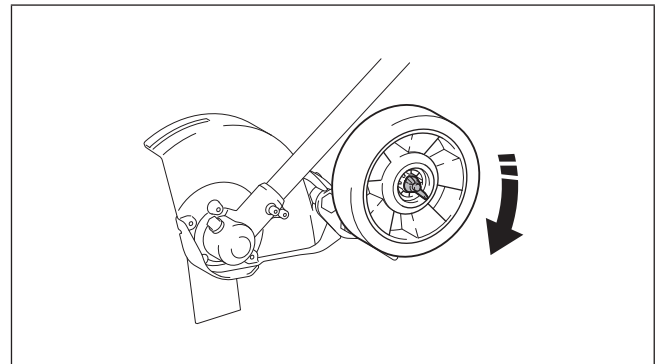
**PIEZĪME:** Griezējasmēni nostiprinošais uzgrieznis (ar elastīgo paplāksni) laika gaitā var nolietoties. Ja elastīgā paplāksne izskatās nodilusi vai bojāta, nomainiet to.

## Ekspluatācija

### BRĪDINĀJUMS:

- Ja griezējinstrumenti kustas tukšgaitā, noregulējiet zemākus tukšgaitas apgriezienus. Citādi griezējinstrumentu nav iespējams apstādināt ar izslēgtu droseli, un tas var izraisīt smagus ievainojumus.
- Ievērojiet brīdinājumus un piesardzības pasākumus, kas norādīti sadaļā „Drošības pasākumi” un jaudas bloka instrukciju rokasgrāmatā.

## Asmens dziļuma regulēšana



- Atskrūvējiet riteņa uzgriezni.
- Pavirziet riteni un noregulējiet augstumu atbilstīgi ekspluatācijas vajadzībām, pēc tam pieskrūvējiet uzgriezni.

## Padomi ekspluatācijai

- Pirms malu apgriešanas aplejiet apstrādājamo laukumu ar ūdeni, lai padarītu zemi mīkstāku un malu apgriešana būtu vieglāka.
- Pirms malu apgriešanas pārbaudiet apstrādājamo laukumu un novāciet visus šķēršļus un priekšmetus, ko darba laikā var izmest gaisā.
- Ieplānojiet apgrieziet malu regulāri, lai to būtu vieglāk uzturēt kārtībā un nevajadzētu veikt vairāk kā vienu apgriešanas darbību.

### PIEZĪME:

- Var būt nepieciešams noregulēt asmens dziļumu cietās virsmas un mauriņa virsmas augstuma atšķirības dēļ.
- Noregulējiet asmens dziļumu, lai starp ietvi un mauriņu būtu neliela atstarpe, izmantojot minimālo asmens dziļumu, parasti apmēram 13 mm (1/2") no asmens atrodoties zemē.

## Pārbaude un tehniskā apkope

### ⚠ BRĪDINĀJUMS:

- Pirms ierīces pārbaudes vai apkopes darbu veikšanas izslēdziet motoru un noņemiet aizdedzes sveces vāciņu vai akumulatora bloku. Citādi griezējinstrumentu vai citas daļas var izkustēties un izraisīt smagus ievainojumus.
- Pārbaudot ierīci vai veicot tās apkopi, vienmēr novietojiet to uz zemes. Montējot vai regulējot ierīci stateniskā pozīcijā, var izraisīt smagus ievainojumus.
- Ievērojiet brīdinājumus un piesardzības pasākumus, kas norādīti sadaļā „Drošības pasākumi” un jaudas bloka instrukciju rokasgrāmatā.

### Griezējinstrumenta asināšana

#### ⚠ BRĪDINĀJUMS:

Neasiniet griezējsmeņus pats/-i. Asinot ar roku, griezējasmeni uzasina nevienmērīgi, kas var radīt vibrācijas un bojāt aprīkojumu.

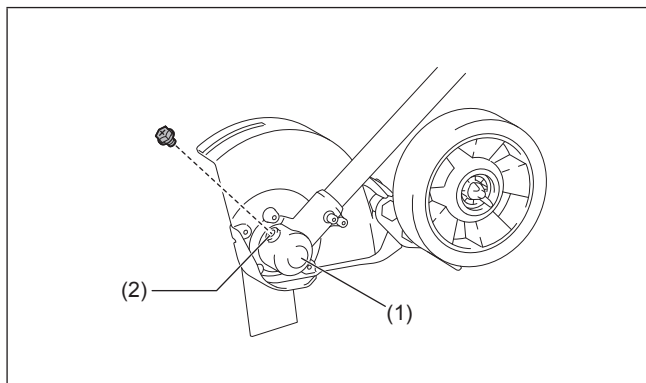
Vērsieties Makita pilnvarotajā apkopes centrā, lai uzasinātu un balansētu neasus griezējasmeņus.

### Kustīgo daļu eļļošana

**PIEZĪME:** Ievērojiet norādījumus par biežumu un smērvielas daudzumu. Citādi nepietiekamas eļļošanas dēļ var sabojāt kustīgās daļas.

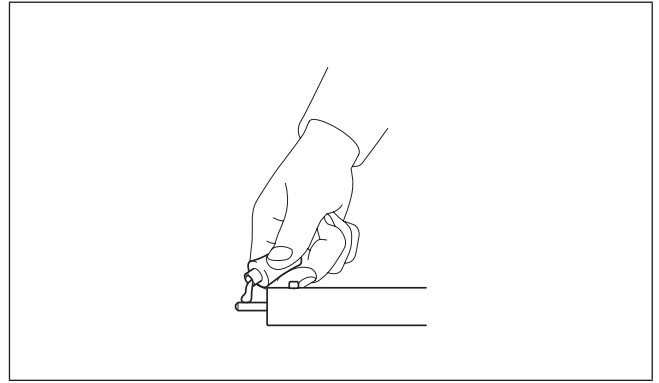
Pievada korpus:

Ik pēc 30 ekspluatācijas stundām caur atvērumu smērvielai (2) ievadiet smērvielu (Shell Alvania 2 vai ekvivalentu) pievada korpusā (1). (Pie vietējā Makita izplatītāja var nopirkt oriģinālo Makita smērvielu.)



Piedziņas ass:

Eļļojiet ar smērvielu (Shell Alvania No. 2 vai līdzvērtīgu) ik pēc 30 darba stundām.



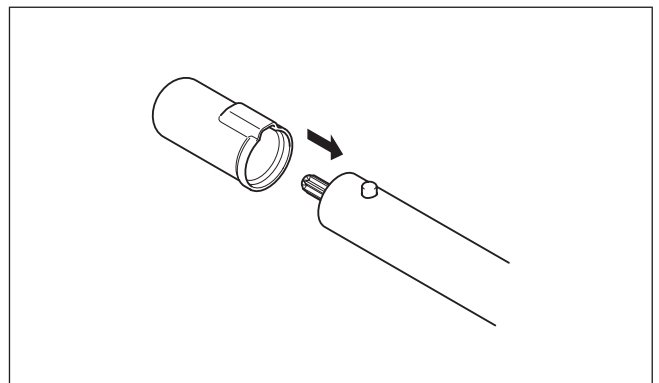
### Kopējā pārbaude

- Pievelciet vaļīgas bultskrūves, uzgriežņus un skrūves.
- Pārbaudiet, vai nav bojātu daļu. Lūdziet Makita pilnvarotajā apkopes centrā tās nomainīt.

## Uzglabāšana

### ⚠ BRĪDINĀJUMS:

Ievērojiet brīdinājumus un piesardzības pasākumus, kas norādīti sadaļā „Drošības pasākumi” un jaudas bloka instrukciju rokasgrāmatā.



Uzglabājot malu apgriezēja papildierīci atsevišķi no jaudas bloka, vārpstas galam uzlieciet vāku.

## Tehniskās apkopes grafiks

Darba stundas		Pirms ekspluatācijas	Katru dienu (10 h)	30 h	Ja nepieciešams	Atbilstošā lappuse
Visa ierīce	Vizuāli pārbaudiet, vai nav bojātu daļu	○				41
Visas stiprinājuma skrūves un uzgriežņi	Pieskrūvējiet	○				41
Pievada korpuss	Ievadiet smērvielu			○		41
Piedziņas ass	Ievadiet smērvielu			○		41
Griezņa asmens	Vizuāli pārbaudiet, vai nav bojājumu	○	○			41
Jaudas bloks	Skatiet jaudas bloka instrukciju rokasgrāmatu					

## Problēmu novēršana

Problēma	Iespējamais iemesls	Risinājums
Dzinējs nesāk darboties	Skatiet jaudas bloka instrukciju rokasgrāmatu	
Dzinējs apstājas drīz pēc iedarbināšanas		
Maksimālais ātrums ir ierobežots		
Griezējinstrumenta negriežas → <b>Nekavējoties izslēdziet motoru!</b>	Griezējasmens nav piestiprināts cieši	Piestipriniet griezējasmēni cieši
	Starp griezējasmēni un aizsargu ir iestrēdzis zars	Izņemiet svešķermeņus
	Piedziņas sistēma nedarbojas pareizi	Vērsieties Makita pilnvarotajā apkopes centrā, lai to pārbaudītu un salabotu
Bloks pārmērīgi vibrē → <b>Nekavējoties izslēdziet motoru!</b>	Griezējasmens ir salauzts, saliekts vai nodilis	Nomainiet griezējasmēni pret jaunu
	Griezējasmens nav piestiprināts cieši	Piestipriniet griezējasmēni cieši
	Uz uztverošās starplikas nav uzstādīts griezējasmens	Pareizi uzstādiet griezējasmēni
	Piedziņas sistēma nedarbojas pareizi	Vērsieties Makita pilnvarotajā apkopes centrā, lai to pārbaudītu un salabotu
Griezējinstrumenta neapstājas → <b>Nekavējoties izslēdziet motoru!</b>	Jaudas bloks nedarbojas pareizi	Skatiet jaudas bloka instrukciju rokasgrāmatu

## Tehniskie dati

Modelis		EE400MP
Gabarīti (G x P x A)	mm	878 x 131 x 291
Neto svars (bez aizsarga un asmens)	kg	2,4
Griezējasmens diametrs	mm	203
Pārnesuma skaitlis		14/29

## ES atbilstības deklarācija

Mēs kā ražotāji  
Komerccadrese

**Makita Europe N.V.**  
**Jan-Baptist Vinkstraat 2**  
**3070 Kortenberg**  
**BEĻĢIJA**

Pilnvarojam **Kazuhisa Makino (Kazuhisu Makino)** sagatavot tehnisko dokumentāciju un ar pilnu atbildību paziņojam, ka izstrādājums(-i):

Nosaukums..... **Malu apgriezēja papildierīce**

Tipa(-u) nosaukums..... **EE400MP**

Atbilst attiecīgajiem **2006/42/EK** noteikumiem

un atbilst arī visiem attiecīgajiem šādu EK/ES direktīvu noteikumiem: **2000/14/EK**

un ražota(-i) saskaņā ar šādiem saskaņotajiem standartiem: **ISO 11789:1999**

Deklarācijas vieta un datums: **Kortemberga, Beļģija, 28.6.2023.**

Atbildīgā persona: **Kazuhisa Makino**



**Makita Europe N.V. direktors**

**Turinys****Puslapis**

Turinys.....	44
Pratarmė.....	44
Ženkilai.....	44
Patvirtintas galios agregatas.....	45
Dalies aprašymas.....	45
Nurodymai dėl saugos.....	45
Surinkimas ir reguliavimas.....	47
Naudojimas.....	47
Tikrinimas ir techninė priežiūra.....	48
Saugojimas.....	48
Techninės priežiūros tvarkaraštis.....	49
Sutrikimų šalinimas.....	49
Techniniai duomenys.....	49
ES atitikties deklaracija.....	50

**Pratarmė**

Dėkojame, kad įsigijote „Makita“ pakraščių lygintuvo priedą. Šis priedas yra skirtas montuoti ant šioje naudojimo instrukcijoje minimo „Makita“ galios agregato.

Prieš naudodami perskaitykite šį bukletą ir galios agregato naudojimo instrukciją. Šios žinios leis jums pasiekti geriausių, kokie tik įmanomi, rezultatų naudojant „Makita“ pakraščių lygintuvo priedą.

**Ženkilai**

Ant šio priedo ir šioje naudotojo instrukcijoje naudojami toliau nurodyti ženklai. Įsisavinkite šias apibrėžtis.



Būkite itin atsargūs ir dėmesingi.



Perskaitykite naudojimo instrukciją.



Darbo vietoje neturi būti jokių žmonių.



Dėvėkite apsauginius akinius ir ausų apsaugas.



Mūvėkite apsaugines pirštines.



Mūvėkite tvirtus batus neslidžiais padais. Rekomenduojama mūvėti batus su plieno apsaugomis kojų pirštams.



Draudžiama!



Pirmoji pagalba

## Patvirtintas galios agregatas

Šis priedas yra patvirtintas kaip tinkamas naudoti tik su toliau nurodytu (-ais) galios agregatu (-ais):

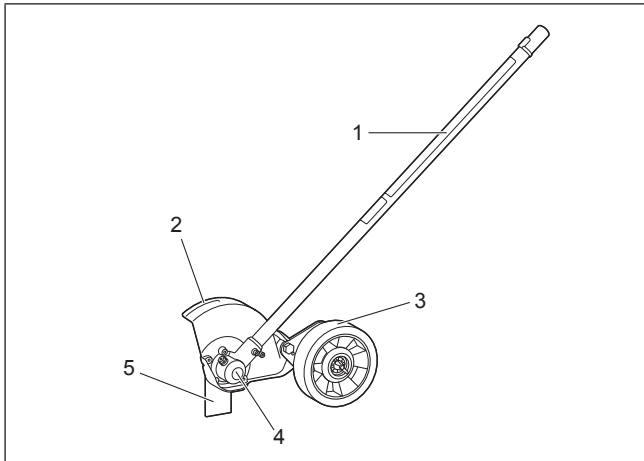
**EX2650LH Daugiafunkcė benzininė galvutė**  
**BUX360, BUX361, BUX362, UX360D, UX361D, UX362D, DUX60, DUX18, UX01G**

**Akumuliatorinė daugiafunkcė benzininė galvutė**

### ⚠️ ĮSPĖJIMAS:

Niekada nenaudokite priedo su nepatvirtintu galios agregatu. Naudodami nepatvirtintą kombinaciją, galite sunkiai susižeisti.

## Dalies aprašymas



Toliau pateikti skaičiai nurodo paveikslėlį.

1. Velenas
2. Peilio gaubtas
3. Ratukas
4. Pavaru dėžė
5. Peilis

## Nurodymai dėl saugos

### ⚠️ ĮSPĖJIMAS:

**Perskaitykite visus saugos įspėjimus ir instrukcijas, pateikiamas šiame buklete, ir galios agregato naudojimo instrukciją. Jei bus nesilaikoma toliau pateiktų įspėjimų ir nurodymų, gali kilti elektros smūgio, gaisro ir (arba) sunkaus sužeidimo pavojus.**

**Išsaugokite visus įspėjimus ir nurodymus ateičiai.**

Sąvoka „pakraščių lygintuvas“ ir „įrenginys“ įspėjimuose ir nurodymuose vartojamas nurodant priedo ir galios agregato derinį. Terminas „variklis“ įspėjimuose ir nurodymuose vartojamas nurodant galios agregato variklį arba elektros variklį.

### Numatytoji naudojimo paskirtis

- Šis įrenginys skirtas tik vejos pakraščiams lyginti prijungus prie patvirtinto galios agregato. Niekada nenaudokite priedo kitam tikslui. Piktnaudžiaujant priedu galima stipriai susižeisti.

### Bendrosios saugos priemonės

- Prieš įjungdami įrenginį, perskaitykite šį bukletą ir galios agregato naudojimo instrukciją, kad susipažintumėte su įrenginio naudojimu.
- Neskolinkite priedo asmeniui, kuris neturi pakankamos darbo su įrenginiu patirties arba žinių.
- Skolindami priedą visada pridėkite šią naudojimo instrukciją.
- Neleiskite vaikams arba jaunesniems kaip 18 metų asmenims naudotis šiuo įrenginiu. Neleiskite jų artyn prie įrenginio.
- Naudodami įrenginį, būkite labai atsargūs ir atidūs.
- Niekada nenaudokite įrenginio, jei esate apsvaigę nuo alkoholio arba narkotikų, arba jei jaučiatės pavargę ar sergate.

- Prisiminkite, kad operatorius yra atsakingas už nelaimingus atsitikimus ar nelaimes, atsitikusias kitiems žmonėms arba jų turtui padarytą žalą.
- Jokių būdu nemėginkite keisti priedo konstrukcijos.
- Laikykitės jūsų šalyje galiojančių teisės aktų dėl įrenginių naudojimo.

### Asmeninės saugos priemonės

- Užsidėkite saugos šalną, apsauginius akinius ir apsaugines pirštines, kad apsisaugotumėte nuo skrendančių nuolaužų arba krentančių daiktų.



- Užsidėkite ausų apsaugas, pvz., ausines, apsaugančias klausą.
- Dėvėkite tinkamus drabužius ir avėkite saugiam darbui pritaikytą avalynę, pvz., kombinezoną ir tvirtus, neslystančius batus. Nedėvėkite laisvų rūbų arba laisvai kabančių papuošalų. Judamosios dalys gali įtraukti laisvus drabužius, papuošalus ar ilgus plaukus.
- Liesdami pjovimo peilį mūvėkite apsaugines pirštines. Pjovimo peiliai gali stipriai įpjauti neapsaugotas rankų vietas.

### Darbo vietos sauga

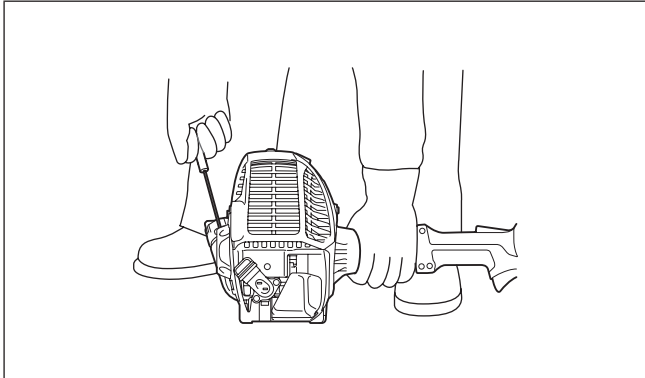
- Naudokite įrenginį tik esant geram matomumui ir tik dieną. Nenaudokite įrenginio tamsoje arba esant rūkui.
- Paleiskite ir naudokite variklį tik lauke, gerai vėdinamoje vietoje. Dirbant izoliuotoje arba blogai vėdinamoje vietoje galima žūti uždusęs arba apsinuodijus anglies monoksidu.
- Darbo metu niekada nestovėkite ant nestabiliaus ar slidaus paviršiaus arba ant staus šlaito. Šaltuoju metų laiku saugokitės ledo ir sniego bei visada užtikrinkite saugią kojų atramą.
- Darbo metu aplinkiniai asmenys arba gyvūnai turi būti ne mažesniu kaip 15 m atstumu iki įrenginio. Kam nors artėjant išjunkite variklį.
- Prieš darbą apžiūrėkite darbo zoną, ar joje nėra akmenų ar kitų kietų objektų. Jie gali būti išsviesti arba sukelti pavojingą atatranką ir sunkiai sužaloti ir (arba) sugadinti turtą.
- ⚠️ ĮSPĖJIMAS: Naudojant šį gaminį, gali kilti dulkių, kurių sudėtyje yra cheminių medžiagų, galinčių sukelti kvėpavimo takų ar kitų ligų. Tarp šių cheminių medžiagų gali būti pesticiduose, insekticiduose, trąšose ir herbiciduose naudojamų mišinių. Kuo dažniau dirbate tokius darbus, tuo didesnis šių medžiagų keliamas pavojus. Norėdami sumažinti tokių cheminių medžiagų keliamus pavojus dirbkite gerai vėdinamose patalpose ir naudokite patvirtintas apsaugines priemones, pvz., kaukes, saugančias nuo dulkių, kurios specialiai sukurtos mikroskopinėms dalelėms sulaikyti.

### Naudojimas

- Prieš montuodami arba reguliuodami įrenginį išjunkite variklį ir atjunkite uždegimo žvakės jungtį arba akumuliatoriaus kasetę.
- Prieš naudodami pjovimo peilį užsivilkite apsaugines pirštines.
- Prieš įjungdami variklį, patikrinkite, ar įranga nesugadinta, nėra atsilaisvinsusių varžtų (veržlių) arba ar ji tinkamai surinkta. Jei pjovimo peilis yra sulinkęs arba sugadintas, jį pakeiskite. Patikrinkite, ar visos valdymo svirtys ir jungikliai veikia be sutrikimų. Nuvalykite ir išdžiovinkite rankenas.
- Niekada nemėginkite įjungti variklio, jei įranga yra sugadinta arba surinkta ne iki galo. Priešingu atveju galima sunkiai susižeisti.
- Sureguliuokite peties diržą ir rankeną, kad jie atitiktų naudotojo ūgį.

## Variklio įjungimas

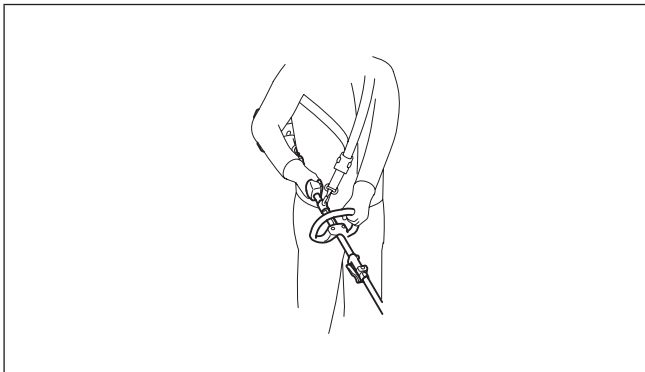
- Prieš paleisdami variklį užsidėkite asmeninę apsaugos įrangą.
- Paleiskite variklį atsitraukę ne mažiau kaip 3 metrus (10 pėdų) nuo vietos, kurioje pylėte degalus.
- Prieš įjungdami variklį įsitikinkite, kad darbo zonoje nėra žmonių arba gyvūnų.
- Paleisdami variklį arba įdėdami akumuliatoriaus kasetę laikykite pjovimo įrankį toliau nuo kūno ir bet kokio kito objekto, įskaitant žemę. Įjungus jis gali pradėti sukstis ir sužaloti arba sugadinti įrangą ir (arba) turta.
- Pastatykite įrenginį ant tvirtu paviršiaus. Išlaikykite pusiausvyrą ir stovėkite tvirtai.
- Patraukdami paleidimo rankenėlę kaire ranka laikykite galios agregatą tvirtai prispaustą prie žemės. Niekada nesistokite ant galios agregato pavaros veleno.



- Paleisdami variklį laikykitės galios agregato naudojimo instrukcijoje pateikiamų nurodymų.
- Jeigu pjovimo įrankis sukasi tuščiąja eiga, išjunkite variklį ir sumažinkite tuščiosios eigos greitį.

## Naudojimas

- Avarinėje situacijoje nedelsdami išjunkite variklį.
- Jei darbo metu pajuntate neįprastą veikimą (pvz., triukšmą, vibraciją), išjunkite variklį. Nenaudokite įrangos, kol nenustatysite priežasties ir jos nepašalinsite.
- Atleidus droselinį jungiklį arba išjungus variklį pjovimo įrankis trumpą laiką dar sukasi. Neskubėkite liesti pjovimo įrankio.
- Varikliui veikiant tik tuščiąja eiga prisekite peties diržą.
- Dirbdami naudokite peties diržą. Tvirtai laikykite įrenginį dešinėje pusėje.



- Laikykite priekinę rankeną suėmę kairiąja, o galinę rankeną – dešiniąja ranka, nepriklausomai nuo to, ar esate dešiniarankis (-ė) ar kairiarankis (-ė). Apimkite rankenas pirštais ir nykščiais.
- Niekada nemėginkite dirbti įrenginiu laikydami jį viena ranka. Praradus jo kontrolę galima sunkiai arba mirtinai susižaloti. Siekdami sumažinti susižalojimo pavojų, laikykite rankas ir kojas atokiau nuo pjovimo įrankio.
- Nepersitempkite. Visuomet tvirtai stovėkite ant žemės, išlaikykite pusiausvyrą. Stebėkite, ar nėra paslėptų kliūčių, pvz., kelmų, šaknų ir griovių, kad nesukluptumėte.
- Niekada nedirbkite stovėdami ant kopėčių arba medyje, kad neprarastumėte kontrolės.
- Jei įrenginys patiria stiprų smūgį arba nukrenta, prieš dirbdami toliau patikrinkite jo būklę. Patikrinkite, ar nėra degalų sistemos nuotėkio ir ar tinkamai veikia valdikliai bei saugos prietaisai. Jei

- yra pažeidimas arba kyla abejonių, kreipkitės į „Makita“ įgaliotą techninės priežiūros centrą dėl patikrinimo ir remonto.
- Nelieskite pavarų dėžės. Darbo metu pavarų dėžė įkaista.
- Pailsėkite, kad dėl nuovargio neprarastumėte gebėjimo valdyti. Rekomenduojame kas valandą pailsėti 10–20 minučių.
- Kai paliekate įrenginį, net trumpam, visada išjunkite variklį arba išimkite akumuliatoriaus kasetę. Neprižiūrimu įrenginiu su veikiančiu varikliu gali pasinaudoti neigalios asmens ir sukelti sunkių sužalojimų arba rimtų gedimų.
- Dėl tinkamo valdymo svirties ir jungiklio naudojimo laikykitės galios agregato naudojimo instrukcijoje pateiktų nurodymų.
- Darbo metu arba po jo, nedėkite įrenginio ant sausos žolės arba degių medžiagų.
- Jeigu tarp pjovimo įrankio ir apsauginio gaubto įstrigtų žolės arba šakų, prieš jas šalindami, visada išjunkite variklį ir nuimkite uždegimo žvakės jungtį arba išimkite akumuliatoriaus kasetę. Kitaip, peiliui netikėtai pradėjus sukstis, galima sunkiai susižaloti.
- Jei pjovimo įrankis atsitrenktų į akmenį ar kokį nors kitą kietą objektą, tuoj pat išjunkite variklį ir apžiūrėkite pjovimo įrankį.
- Eksploatavimo metu dažnai tikrinkite, ar pjovimo įrankio kraštai neįtrūkė arba nepažeisti. Prieš tikrindami išjunkite variklį ir palaukite, kol pjovimo įrankis iki galo sustos. Nedelsdami pakeiskite sugadintą pjovimo įrankį, net jei jame tėra paviršinių įtrūkimų.
- Niekada nepjaukite aukščiau savo juosmens.
- Patraukę droselį prieš pradėdami pjauti, palaukite, kol pjovimo įrankio greitis taps stabilus.
- Dirbdami nuokalnėse, visada tvirtai stovėkite ant žemės.
- Vaikščiokite, o ne bėgiokite.
- Būkite itin atsargūs, važiuodami atbuline eiga arba traukdami pakraščių lygintuvą savęs link.
- Įsitikinkite, ar peilis sustojo, prieš kirsdami kitus paviršius nei žolė, taip pat nešdami pakraščių lygintuvą į tą vejų vietą, kurią reikia palygtinti, ar iš jos.
- Pasitraukdami iš darbo vietos, visuomet išjunkite pakraščių lygintuvo variklį.

## Pjovimo įrankiai

- Niekada nenaudokite netinkamų peilių, įskaitant metalines, iš daug grandžių sudarytas besisukančias grandines ir spragilinio tipo peilius. Antraip galima sunkiai susižeisti.
- Visada tinkamai naudokite pjovimo įrankio apsauginį gaubtą, pritaikytą naudojamam pjovimo įrankiui.

## Vibracija

- Per didelę vibraciją patiriantys žmonės, kurių prasta kraujo apytaka, gali susižeisti kraujagysles arba nervų sistemą. Dėl vibracijos pirštuose, rankose ar riešuose gali atsirasti tokių simptomų: „Nejautrumas“ (nutirpimas), dilgčiojimas, skausmas, dūrimo pojūtis, odos spalvos ar odos pasikeitimas. Pajutę bet kurį iš šių simptomų, kreipkitės į gydytoją!
- Siekdami sumažinti pavojų susirgti „pirštų balimo liga“, dirbdami rankas laikykite šiltai ir tinkamai techniškai prižiūrėkite įrenginį bei priedus.

## Transportavimas

- Prieš gabendami įrenginį išjunkite variklį ir atjunkite uždegimo žvakės jungtį arba akumuliatoriaus kasetę. Nuimkite pjovimo įrankį.
- Gabendami įrenginį padėkite jį horizontaliai, užblokuodami veleną. Laikykite įkautusį slopintuvą toliau nuo kūno.
- Gabendami įrenginį automobiliu, tinkamai jį pritvirtinkite, kad neapvirštų. Priešingu atveju gali išsilieti degalai ir bus sugadintas įrenginys arba kitas bagažas.

## Priežiūra


- Įrenginio techninė priežiūra privalo būti atliekama mūsų įgaliotuosiuose techninio aptarnavimo centruose, visada naudojant tik originalias keičiamąsias dalis. Netinkamas remontas ir prasta techninė priežiūra gali sutrumpinti įrenginio tarnavimo laiką ir padidinti nelaimingų atsitikimų pavojų.
- Prieš atlikdami bet kokius techninės priežiūros arba remonto darbus bei prieš valydami įrenginį visada išjunkite variklį ir atjunkite uždegimo žvakės jungtį arba akumuliatoriaus kasetę. Palaukite, kol variklis atvės.
- Siekdami sumažinti gaisro pavojų, niekada neatlikite techninės įrenginio priežiūros darbų šalia ugnies.
- Dirbdami su pjovimo peiliu visada mūvėkite apsaugines pirštines.

- Visada nušluostykite nuo įrenginio dulkes ir nešvarumus. Niekada to nedarykite naudodami gazoliną, benzina, tirpiklį, spiritą arba panašias medžiagas. Gali išblukti spalva, deformuotis arba įtrūkti plastikinės dalys.
- Po kiekvieno naudojimo priveržkite visus varžtus ir veržles, išskyrus karbiuratoriaus reguliavimo varžtus.
- Nemėginkite atlikti jokių techninės priežiūros arba remonto darbų, neaprašytų šiame buklete arba galios agregato naudojimo instrukcijoje. Dėl šių darbų atlikimo kreipkitės į „Makita“ įgaliotą techninės priežiūros centrą.
- Visada naudokite tik originalias „Makita“ atsargines dalis ir priedus. Naudojant trečiosios šalies tiekiamas dalis arba priedus įrenginys gali sugesti, sugadintas turtas ir (arba) įvykti sunkus sužalojimas.
- Kreipkitės į „Makita“ įgaliotą techninės priežiūros centrą, kad jis reguliariai tikrintų įrenginį ir atliktų jo techninę priežiūrą.

## Saugojimas

- Prieš sandėliuodami įrenginį atlikite visus jo valymo ir techninės priežiūros darbus. Atjunkite uždegimo žvakės jungtį arba akumulatoriaus kasetę. Varikliui atvėsus, išleiskite degalus. Nuimkite pjovimo įrankį.
- Jei reikia išleisti degalus iš degalų bako, tai reikia atlikti lauke.
- Laikykite įrenginį sausoje ir aukštoje arba rakinamoje, vaikams neprieinamoje vietoje.
- Neremkite įrenginio į ką nors, pvz., į sieną. Priešingu atveju jis gali staiga nukristi ir sužaloti.

## Pirmoji pagalba

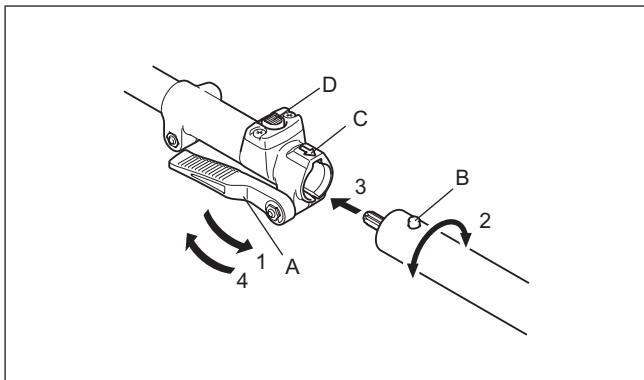
-  Visada laikykite pirmosios pagalbos reikmenų rinkinį netoliese. Jei panaudojote kokių nors pirmosios pagalbos priemonių, tuoj pat papildykite rinkinį.
- Kreipdamiesi dėl pagalbos, pateikite šią informaciją:
  - nelaimingo atsitikimo vieta
  - kas atsitiko
  - Sužeistų asmenų skaičius
  - sužalojimo pobūdis
  - Jūsų vardas, pavardė

## Surinkimas ir reguliavimas

### ⚠ ĮSPĖJIMAS:

- Prieš montuodami arba reguliuodami įrenginį išjunkite variklį ir atjunkite uždegimo žvakės jungtį arba akumulatoriaus kasetę. Priešingu atveju pjovimo įrankis arba kitos dalys gali pajudėti ir sunkiai sužaloti.
- Prieš naudodami pjovimo peilį užsivilkite apsaugines pirštines. Montavimo arba reguliavimo metu jūsų pirštai gali prisiliesti prie pjovimo peilių ir būti sunkiai sužaloti.
- Surinkdami arba reguliuodami įrenginį jį paguldykite. Montuodami arba reguliuodami įrenginį stačią galite sunkiai susižaloti.
- Laikykitės įspėjimų ir nurodymų, pateiktų skyriuje „Nurodymai dėl saugos“ ir galios agregato naudojimo instrukcijoje.

## Priedo tvirtinimas ant galios agregato



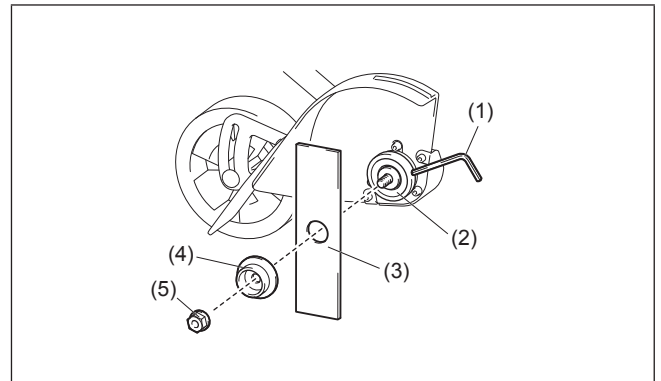
Norėdami sumontuoti priedą ant maitinimo bloko, atlikite toliau nurodytus veiksmus.

1. Įsitinkinkite, kad fiksavimo svirtis (A) nėra užspausta.
2. Sutapdinkite kaištį (B) su pažymėta rodykle (C).
3. Kiškite veleną į maitinimo bloko pavaros veleną, kol iššoks atlaisvinimo mygtukas (D).

4. Tvirtai užspauskite fiksavimo svirtį (A) kaip parodyta. Norėdami išimti priedą, atlaisvinkite fiksavimo svirtį, paspauskite fiksavimo mygtuką ir ištraukite veleną.

**PASTABA:** Neužveržkite fiksacijos svirties (A) neįkišę priedo veleno. Kitaip fiksavimo svirtis gali pernelyg užspausti pavaros veleno angą ir ją sugadinti.

## Peilio montavimas ir nuėmimas



1. Pasukite imtuvo poveržlę (2) taip, kad imtuvo poveržlėje esanti skylė būtų sutapdinta su skylė, esančia pavaru dėžėje.
2. Prakiškite pro skylės šešiabriaunį veržliaraktį (1). Įsitinkinkite, ar imtuvo poveržlė nesisuka.
3. Laikydami šešiabriaunį veržliaraktį, galiniu raktu sukite veržlę (5) pagal laikrodžio rodyklę.
4. Nuimkite veržlę ir spaustuką (4).
5. Uždėkite peilį (3).
6. Atgal uždėkite spaustuką ir veržlę.
7. Laikydami šešiabriaunį veržliaraktį, užveržkite peilį, sukdami veržlę prieš laikrodžio rodyklę.

Norėdami peilį nuimti, atlikite pirmiau aprašytus veiksmus atvirkščia eilės tvarka.

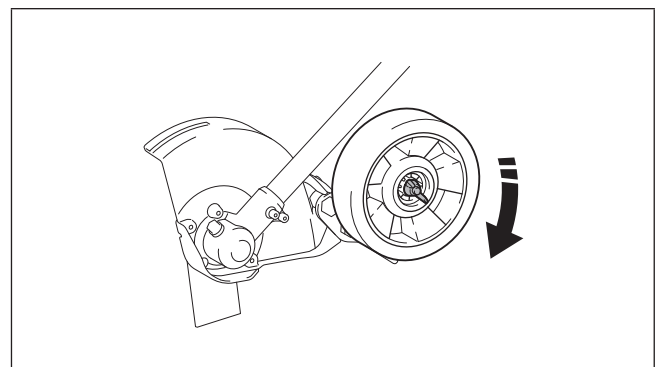
**PASTABA:** Laikui bėgant pjovimo peilio priveržimo veržlė (su spyruokline poveržle) nusidėvi. Jeigu pastebėtumėte kokių nors nusidėvėjimo arba deformavosi požymių, pakeiskite veržlę nauja.

## Naudojimas

### ⚠ ĮSPĖJIMAS:

- Jeigu pjovimo įrankis juda tuščiaja eiga, sumažinkite tuščiosios eigos greitį. Priešingu atveju negalėsite sustabdyti pjovimo įrankio išjungdami drošelį, ir peilis gali jus sunkiai sužaloti.
- Laikykitės įspėjimų ir nurodymų, pateiktų skyriuje „Nurodymai dėl saugos“ ir galios agregato naudojimo instrukcijoje.

## Peilio pjovimo gylio reguliavimas



- Atsukite ant ratuko esančią veržlę.
- Pasukite ratuką ir pareguliuokite aukštį pagal reikiamą atlikti darbą, paskui užveržkite veržlę.

## Naudingi patarimai

- Prieš pradėdami lyginti vejos pakraščius, palaistykite tą vietą, kad suminkštėtų žemė ir pakraščius lyginti būtų lengviau.
- Prieš pradėdami lyginti vejos pakraščius, patikrinkite darbo vietą ir pašalinkite visas kliūtis bei daiktus, kurie galėtų būti svaidomi.
- Tinkamai suplanuokite vejos kraštą, kad jis būtų tvarkingas ir vejos krašto nereikėtų lyginti antrą kartą.

#### PASTABA:

Jeigu kietojo paviršiaus ir žolės viršaus aukštis nesutampa, gali tekti pareguliuoti peilio pjovimo gylį.

– Pareguliuokite peilių pjovimo gylį, kad įrenginys tiksliai pjautų ties šališiais ir žole: nustatykite minimalų peilio pjovimo gylį, kad peilis į žemę sulįstų maždaug 13 mm (1/2 col.).

### Tikrinimas ir techninė priežiūra

#### ⚠️ ĮSPĖJIMAS:

- Prieš tikrindami arba atlikdami įrenginio techninę priežiūrą išjunkite variklį ir atjunkite uždegimo žvakės jungtį arba akumulatoriaus kasetę. Priešingu atveju pjovimo įrankis arba kitos dalys gali pajudėti ir sunkiai sužaloti.
- Tikrindami įrenginį arba atlikdami jo techninę priežiūrą, visada jį paguldykite. Montuodami arba reguliuodami įrenginį stačią galite sunkiai susižaloti.
- Laikykitės įspėjimų ir nurodymų, pateiktų skyriuje „Nurodymai dėl saugos“ ir galios agregato naudojimo instrukcijoje.

#### Pjovimo įrankio galandimas

#### ⚠️ ĮSPĖJIMAS:

Negaląskite pjovimo peilių patys. Galandant rankomis, pjovimo peilis bus išbalansuotas – gali atsirasti vibracija ir įrenginys suges.

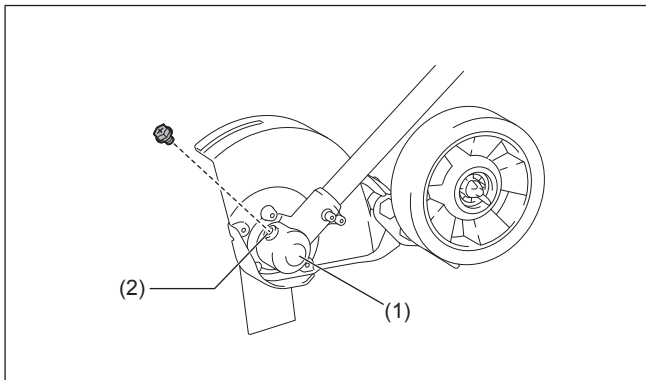
Kreipkitės į „Makita“ įgaliotąjį techninės priežiūros centrą, kad peiliai būtų pagaląsti ir iš naujo subalansuoti.

#### Judamųjų dalių tepimas

**PASTABA:** Laikykitės nurodymo dėl tiekiamo tepalo naudojimo dažnumo ir kiekio. Priešingu atveju nepakankamai sutepus gali būti sugadintos judančios dalys.

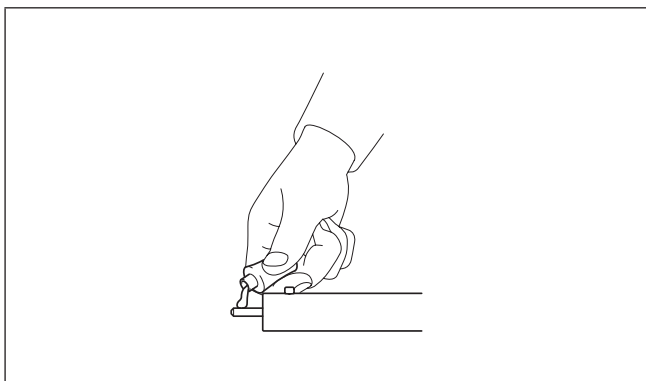
Pavarų dėžė:

Tepkite („Shell Alvania 2“ arba atitinkamu tepalu) pavarų dėžę (1) pro tepimo angą (2) kas 30 darbo valandų. (Originalaus „Makita“ tepalo galite įsigyti iš vietos „Makita“ pardavimo atstovo.)



Pavaros ašis:

Tepkite tepalu („Shell Alvania No. 2“ arba ekvivalentišku tepalu) kas 30 darbo valandas.



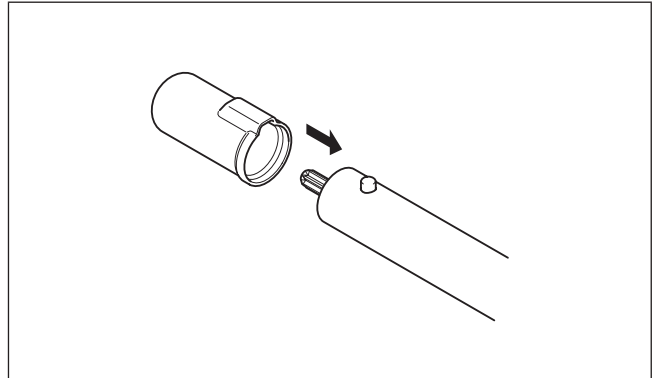
#### Bendra patikra

- Užveržkite atsilaisvinusius varžtus, varžles ir sraigtus.
- Tikrinkite, ar nėra sugadintų dalių. Dėl jų pakeitimo kreipkitės į „Makita“ įgaliotą techninės priežiūros centrą.

### Saugojimas

#### ⚠️ ĮSPĖJIMAS:

Laikykitės įspėjimų ir nurodymų, pateiktų skyriuje „Nurodymai dėl saugos“ ir galios agregato naudojimo instrukcijoje.



Kai pakraščių lygintuvo priedas laikomas atskirai nuo galios agregato, uždenkite veleno galą gaubtu.

## Techninės priežiūros tvarkaraštis

Darbo valandos		Prieš naudojimą	Kasdien (kas 10 darbo val.)	30 val.	Jeigu reikia	Atitinkamas puslapis
Visas įrenginys	Apžiūrėkite pažeistas dalis	○				48
Visi tvirtinamieji varžtai ir veržlės	Priveržkite	○				48
Pavarų dėžė	Tepalo tiekimas			○		48
Pavaros ašis	Tepalo tiekimas			○		48
Pjovimo peilis	Apžiūrėkite, ar nesimato apgadinimo požymių	○	○			48
Galios agregatas	Žr. galios agregato naudojimo instrukciją					

## Sutrikimų šalinimas

Triktis <sup>1</sup>	Galima priežastis	Galimas sprendimo būdas
Neįsijungia variklis.	Žr. galios agregato naudojimo instrukciją.	
Variklis išsijungia netrukus po paleidimo.		
Apribotas maksimalus greitis.		
Pjovimo įrankis nesisuka. → <b>Nedelsiant išjunkite variklį!</b>	Netinkamai pritvirtintas pjovimo peilis.	Tvirtai užveržkite pjovimo peilį.
	Tarp pjovimo peilio ir apsauginio gaubto įstrigo šakelė.	Išimkite pašalinę medžiagą.
	Netinkamai veikia pavarų sistema.	Kreipkitės į „Makita“ įgaliotą techninės priežiūros centrą, kad patikrintų ir suremontuotų.
Įrenginys neįprastai vibruoja. → <b>Nedelsiant išjunkite variklį!</b>	Pjovimo peilis sulinko, įtrūko arba nusidėvėjo.	Pakeiskite pjovimo peilį nauju.
	Netinkamai pritvirtintas pjovimo peilis.	Tvirtai užveržkite pjovimo peilį.
	Pjovimo peilis nesumontuotas ant imtuvo poveržlės.	Tinkamai sumontuokite pjovimo peilį.
	Netinkamai veikia pavarų sistema.	Kreipkitės į „Makita“ įgaliotą techninės priežiūros centrą, kad patikrintų ir suremontuotų.
Pjovimo įrankis nesustoja. → <b>Nedelsiant išjunkite variklį!</b>	Netinkamai veikia galios agregatas.	Žr. galios agregato naudojimo instrukciją.

## Techniniai duomenys

Modelis		EE400MP
Matmenys (I x P x A)	mm	878 × 131 × 291
Grynasis svoris (be apsauginio gaubto ir peilio)	kg	2,4
Pjovimo peilio skersmuo	mm	203
Perdavimo skaičius		14/29

## ES atitikties deklaracija

Mes, būdami gamintojai  
Įmonės adresas

**Makita Europe N.V.**  
**Jan-Baptist Vinkstraat 2**  
**3070 Kortenberg**  
**BELGIUM (BELGIJA)**

įgaliojame **Kazuhisa Makino** parengti techninių duomenų bylą ir atsakingai tvirtiname, kad gaminys (-iai);

Paskirtis ..... **Pakraščių lygintuvo priedas**

Tipo (-ų) paskirtis ..... **EE400MP**

Atitinka visas Mašinų direktyvos **2006/42/EB** nuostatas

ir taip pat atitinka visas taikytinas šių EB / ES Direktyvų nuostatas: **2000/14/EB**

ir yra pagamintas atsižvelgiant į šiuos suderintus standartus: **ISO 11789:1999**

Deklaracijos vieta ir data: **Kortenbergas, Belgija, 2023.6.28**

Atsakingasis asmuo: **Kazuhisa Makino**



**Direktorius – Makita Europe N.V.**

**Sisu**

	<b>Lehekülg</b>
Sisu.....	51
Eessõna.....	51
Sümbolid .....	51
Heakskiidetud mootorajam .....	52
Osade kirjeldus.....	52
Ohutusnõuded.....	52
Montaaž ja reguleerimine .....	54
Kasutamine.....	54
Kontrollimine ja hooldus .....	55
Hoiustamine.....	55
Hooldusgraafik.....	56
Tõrkeotsing.....	56
Tehnilised andmed.....	56
EÜ vastavusdeklaratsioon .....	57

**Eessõna**

Täname, et ostsite Makitai servamistrimmeri tarviku. See tarvik on mõeldud kinnitamiseks käesolevas juhendis nimetatud Makitai mootorajamile.  
Enne kasutamist lugege palun käesolevat brošüüri ja mootorajami kasutusjuhendit. Selle abil saavutate Makitai servamistrimmeri tarvikuga töötamisel parima tulemuse.

**Sümbolid**

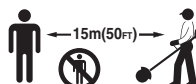
Tarvikul ja käesolevas kasutusjuhendis kasutatakse alljärgnevat sümbolit. Tehke endale selgeks nende tähendused.



Olge äärmiselt ettevaatlik ja tähelepanelik.



Lugege kasutusjuhendit.



Hoidke kõrvalised isikud tööpiirkonnast eemal



Kandke kaitseprille ja kuulmiskaitsevahendeid.



Kandke kaitsekindaid.



Kandke tugevaid libisemiskindla tallaga jalatseid. Kandke terasest ninakapiga kaitsejalatseid.



Keelatud!



Esmaabi

## Heakskiidetud mootorajam

Käesolev tarvik on ette nähtud kasutamiseks ainult alljärgneva(te) mootorajami(te)ga:

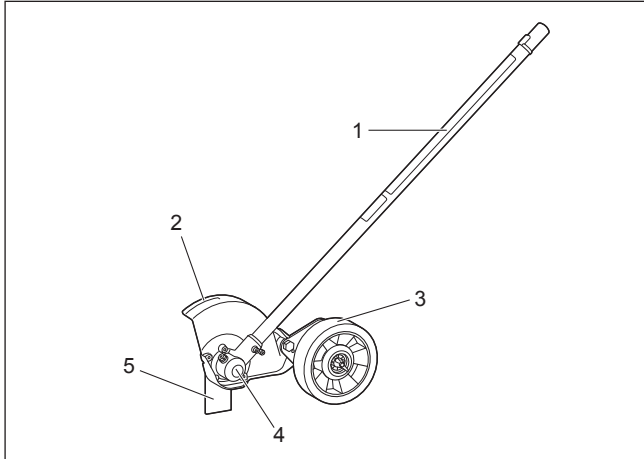
**EX2650LH** Universaalne mootorajam  
**BUX360, BUX361, BUX362, UX360D, UX361D, UX362D, DUX60, DUX18, UX01G**

Juhtmevaba universaalne mootorajam

### ⚠ HOIATUS:

Ärge kunagi kasutage käesolevat tarvikut heakskiiduta mootorajamiga.  
Heakskiiduta kombinatsioon võib põhjustada tõsise kehavigastuse.

## Osade kirjeldus



Järgnevad numbrid viitavad joonisele.

1. Varras
2. Lõiketera kate
3. Ratas
4. Ülekande korpus
5. Lõiketera

## Ohutusnõuded

### ⚠ HOIATUS:

Lugege läbi kõik ohutushoiatused ning kõik käesolevas juhendis ja mootorajami juhendis antud juhised. Hoiatuste ja juhiste eiramise tulemuseks võib olla elektrilöök, tulekahju ja/või tõsine vigastus.

Hoidke kõik hoiatused ja juhised edaspidiseks alles.

Hoiatustes ja ohutusnõuetes kasutatud terminid „servamistrimmer“ ja „seade“ viitavad tarviku ja mootorajami kombinatsioonile. Hoiatustes ja ohutusnõuetes kasutatud termin „mootor“ viitab mootorajami mootorile või elektrimootorile.

### Nõuetekohane kasutamine

- Seade on ette nähtud ainult muru servamiseks koos heakskiidetud mootorajamiga. Ärge kunagi kasutage tarvikut mingil muul eesmärgil. Tarviku väärkasutamine võib põhjustada raskeid vigastusi.

### Üldised ohutusnõuded

- Enne seadme käivitamist lugege käesolevat brošüüri ja mootorajami juhendit, et tutvuda seadme käsitsemise põhimõtetega.
- Ärge andke tarvikut isikutele, kellel ei ole seadme käsitsemiseks piisavaid kogemusi või teadmisi.
- Tarviku laenamisel andke sellega alati kaasa see juhend.
- Ärge lubage seadet kasutada lastel ega alla 18 aasta vanustel isikutel. Ärge lubage neid seadme lähedusse.
- Seadme käsitsemisel tuleb olla ülimalt ettevaatlik ja tähelepanelik.
- Ärge kunagi kasutage seadet siis, kui olete tarvitanud alkoholi või ravimeid, või kui tunnete ennast väsinuna või olete haige.

- Pidage meeles, et seadme käitaja või kasutaja vastutab teistele isikutele põhjustatud vigastuste või nende varale tekitatud kahjustuste eest.
- Ärge kunagi püüdke tarvikut muuta.
- Järgige teie riigis kehtivaid seadme käsitsemist reguleerivaid määrusi.

### Isikukaitsevahendid

- Kandke kaitsekiivrit, -prille ja -kindaid, et kaitsta ennast lendavate osakeste või langevate objektide eest.



- Kandke kuulmiskaitsevahendeid, näiteks kõrvatroppesid, et vältida kuulmiskadu.
- Kandke ohutuks tööks sobivaid rõivaid ja jalanõusid, näiteks töökombinesooni ja tugevaid libisemiskindlaid jalatseid. Ärge kandke laiu rõivaid ega ehteid. Laiad riideesemed, ehted või pikad juuksed võivad liikuvate osade vahele takerduda.
- Kandke löiketera puudutamisel alati kaitsekindaid. Löiketerad võivad teha kaitsmata kätte sügavaid sisselõikeid.

### Tööpiirkonna ohutus

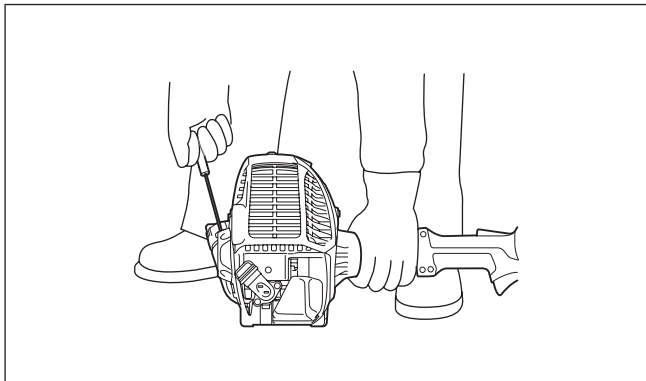
- Kasutage seadet ainult hea nähtavuse korral ja päevalvalges. Ärge kasutage seadet pimedas ega udus.
- Mootorit tohib käivitada ja kasutada ainult vabas õhus hea õhuvahetusega alal. Siseruumides või halva õhuvahetusega alal kasutamine võib põhjustada surma lämbumise või süsinikmonooksiidi mürgistuse tagajärjel.
- Ärge kunagi seiske töö ajal ebastabiilsel või libedal pinnal ega järsul nõlvakul. Talvisel ajal arvestage jää ja lumega ning veenduge alati, et jalgadel on kindel toetuspind.
- Jälgige, et kõrvalised isikud ja loomad jääksid töötamise ajal seadmest vähemalt 15 m kaugusele. Peatage mootor kohe, kui keegi teile läheneb.
- Enne töö alustamist uurige, kas tööpiirkonnas leidub kive või muid kõvasid esemeid. Need võidakse õhku paisata või nende mõjul võib tekkida ohtlikke tagasilööke, mille tagajärjeks on rasked vigastused ja/või varaline kahju.
- ⚠ HOIATUS: Selle toote kasutamisel võib tekkida kemikaale sisaldavat tolmu, mis võib põhjustada hingamisteede või muude elundite haigusi. Sellised kemikaalid on näiteks pestitsiidides, insektsiidides, väetistes ja herbitsiidides leiduvad ühendid. Kokkupuuteohu suurus sõltub sellise töö sagedusest. Nimetatud kemikaalide mõju vähendamiseks töötage hea õhuvahetusega alal ja kasutage heakskiidetud kaitsevahendeid, näiteks spetsiaalselt mikroosakeste filtreerimiseks mõeldud tolmu- ja õhusaaste maski.

### Kasutuselevõtmine

- Enne seadme kokkumonteerimist või reguleerimist lülitage mootor välja ning võtke ära süüteküünla kork või aku.
- Enne löiketerade käsitsemist pange kätte kaitsekindad.
- Enne mootori käivitamist kontrollige, kas seadmel ei esine vigastusi, lahtisi polte/mutreid või valesti monteeritud osi. Kui löiketera on paindunud või vigastatud, vahetage see välja.
- Kontrollige, kas kõik juhthoovad ja lülitid liiguvad vabalt. Puhastage ja kuivatage käepidemed.
- Ärge kunagi püüdke mootorit käivitada, kui seade on vigastatud või ei ole täielikult kokku monteeritud. Vastasel juhul võib tekkida tõsine vigastus.
- Reguleerige õlarihma ja käepidet vastavalt kasutaja kehamõõtudele.

## Mootori käivitamine

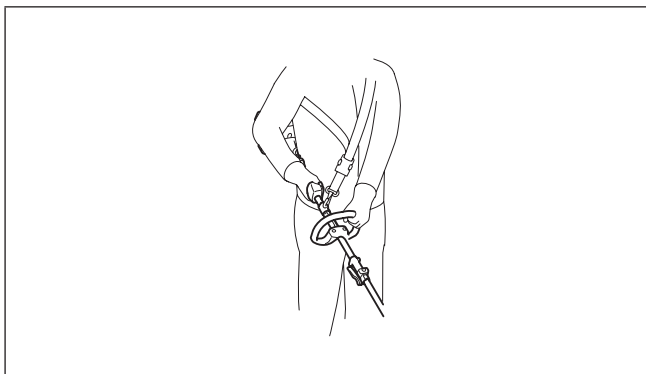
- Enne mootori käivitamist võtke kasutusele isikukaitsevahendid.
- Käivitage mootor vähemalt 3 meetri kaugusel kütuse lisamise kohast.
- Enne mootori käivitamist veenduge, et tööpiirkonnas ei ole ühtegi inimest ega looma.
- Mootori käivitamise või aku sisestamise ajal hoidke lõikeriista oma kehast ja teistest objektidest, kaasa arvatud maapinnast, eemal. Käivitamise ajal võib see pöörlema hakata ning põhjustada tõsiseid kehavigastusi või tekitada kahju seadmele ja/või varale.
- Asetage seade kindlale pinnale. Hoidke tasakaalu ja seiske kindlal pinnal.
- Starteri tõmbamise ajal hoidke mootorajamit vasaku käega kindlalt vastu maad. Ärge kunagi astuge jalaga mootorajami völliile.



- Käivitage mootor vastavalt mootorajami juhendis antud juhistele.
- Kui lõikeriist pöörleb seadme tühikäigul töötamise ajal, siis peatage mootor ja reguleerige tühikäigu kiirus väiksemaks.

## Kasutamine

- Hädaolukorras lülitage mootor viivitamatult välja.
- Kui tajute töö ajal midagi ebatavalist (nt müra, vibratsioon), lülitage mootor välja. Ärge kasutage seadet enne, kui põhjus on kindlaks tehtud ja kõrvaldatud.
- Pärast päästiku vabastamist või mootori väljalülitamist liigub lõikeriist veel pisut aega edasi. Ärge kiirustage lõikeriista puudutamisega.
- Kinnitage õlarihm sel ajal, kui mootor töötab tühikäigul.
- Kasutage töö ajal õlarihma. Hoidke seadet kindlalt oma paremal küljel.



- Hoidke vasaku käega eesmisest käepidemest ja parema käega tagumisest käepidemest, sõltumata sellest, kas olete parema- või vasakukäeline. Haarake sõrmede ja pöidlaga kindlalt ümber käepidemete.
- Ärge kunagi püüdke kasutada seadet ühe käega. Kontrolli kaotamine võib kaasa tuua tõsiseid või surmaga lõppevaid vigastusi. Vigastusteohu vähendamiseks ärge asetage käsi ega jalgu lõikeriista lähedusse.
- Ärge püüdke liiga kaugelt küünitada. Hoidke kogu aeg jalad kindlalt maas ning säilitage tasakaal. Komistamise vältimiseks olge tähelepanelik varjatud takistuste, nt kändude, puujuurte ja kraavide suhtes.
- Kontrolli kaotamise vältimiseks ärge kunagi töötage redelil või puu otsas.

- Kui seade saab tugeva löögi või kukub maha, kontrollige enne töö jätkamist selle seisukorda. Kontrollige, ega kütusesüsteemis ei esine lekkeid ning kas juht- ja kaitseadmed töötavad tõrgeteta. Kahjustuste või kahtluste korral paluge Makitai volitatud hoolduskeskusel seadet kontrollida ja parandada.
- Ärge puudutage ülekande korpust. Ülekande korpus kuumeneb töö ajal.
- Väsimusest tingitud kontrollikaotuse vältimiseks tehke puhkepause. Soovitame puhata igas tunnis 10–20 minutit.
- Kui te lahkute seadme juurest kas või lühikeseks ajaks, seisake alati mootor või eemaldage akukassett. Töötava mootoriga omapäi jäetud seadet võivad kasutada kõrvalised isikud, kes võivad põhjustada raskeid õnnetusi.
- Kasutage juhthooba ja lüliti vastavalt mootorajami kasutusjuhendis antud juhistele.
- Ärge asetage kuuma seadet töötamise ajal ega pärast seda kuivale rohule ega kergesti süttivatele materjalidele.
- Kui rohi ja oksad takerduvad lõikeriista ja kaitsekatte vahele, tuleb enne puhastamist alati mootor seisata ja süüteküünla kork või akukassett eemaldada. Lõiketera tahmatu pöörlemine võib põhjustada tõsiseid vigastusi.
- Kui lõikeriist tabab kive või muid kõvasid esemeid, siis lülitage mootor kohe välja ja kontrollige lõikeriista.
- Kontrollige töötamise ajal sageli, et lõikeriistal ei esineks pragusid ega muid kahjustusi. Enne kontrollimist lülitage mootor välja ja oodake, kuni lõikeriist on täielikult seiskunud. Vahetage kahjustunud lõikeriist kohe välja, ka siis, kui sellel on ainult pindmised praod.
- Ärge löigake kunagi oma vöökohast kõrgemalt.
- Pärast päästikule vajutamist ärge alustage lõikamist enne, kui lõikeriist on saavutanud ühtlase kiiruse.
- Jälgige kallakutel alati, et teil oleks kindel jalgealune.
- Kõndige, ärge jookske.
- Olge tagurdamisel või servamistrimmeri enda poole tõmbamisel äärmiselt ettevaatlik.
- Enne selliste pindade ületamist, mis pole muru, ning enne servamistrimmeri transportimist töökohta ja sealt ära, veenduge, et lõiketera on seiskunud.
- Seisake mootor iga kord, kui lahkute servamistrimmeri juurest.

## Lõikeriistad

- Ärge kunagi kasutage sobimatuid lõiketerasid, sh metallist mitmeosalisi pöörlevaid kette ega vasarnugasid. See võib põhjustada tõsise vigastuse.
- Kasutage alati lõikeriista kaitsekattet, mis sobib kasutatava lõikeriistaga.

## Vibratsioon

- Vereringehäiretega isikutel, kes on jäänud liigse vibratsiooni mõju alla, võib esineda veresoonekonna või närvisüsteemi kahjustus. Vibratsioon võib põhjustada sõrmedes, kätes või randmetes järgmiste sümptomite esinemist: sõrmede, käte või käeliigete „ära suremine“, sügelus, valu, pisted, naha värvi või seisundi muutused. Nimetatud sümptomite ilmnemisel tuleb pöörduda arsti poole!
- Selleks, et vähendada „valgesõrmsuse sündroomi“ tekkimise riski, hoidke seadme kasutamise ajal oma käed soojas ning hooldage seadet ja lisatarvikuid.

## Transportimine

- Enne seadme transportimist lülitage mootor välja ning võtke ära süüteküünla kork või aku. Eemaldage lõikeriist.
- Seadme transportimisel kandke seda varrest hoides horisontaalses asendis. Hoidke kuum summuti oma kehast eemal.
- Kui transportite seadet sõidukis, kinnitage see nii, et see ei saaks ümber minna. Vastasel korral võib kütus seadmest välja pääseda ning kahjustada seadet ja muud pagasit.

## Hooldamine


- Laske seadet hooldada ainult volitatud teeninduskeskusel, kasutage alati ainult originaalvaruosi. Ebaõiged remondivõtted ja ebakvaliteetne hooldus võivad lühendada seadme eluiga ja suurendada õnnetuste riski.
- Enne mis tahes hooldus- või parandustöid või seadme puhastamist lülitage alati mootor välja ning võtke ära süüteküünla kork või akukassett. Oodake, kuni mootor jahtub.

- Tuleohtu vähendamiseks ärge hooldage seadet kunagi lahtise tule läheduses.
- Lõiketera käsitsemise ajal kandke alati kaitsekindaid.
- Puhastage seade alati tolmust ja mustusest. Ärge kunagi kasutage puhastamiseks bensiini, vedeldit, alkoholi ega muid sarnaseid aineid. See võib põhjustada plastikosade värvuse muutumist, deformeerumist või pragunemist.
- Pärast iga kasutuskorda pingutage kõiki polte ja mutreid, välja arvatud karburaatori reguleerimiskruvisid.
- Ärge püüdke teostada mingeid hooldus- või remonditöid, mida ei ole kirjeldatud käesolevas brošüüris ega mootorajami juhendis. Pöörduge selliste tööde tegemiseks Makitai volitatud hoolduskeskusse.
- Kasutage alati ainult Makitai originaalvaruosi ja tarvikuid. Kolmandate osapoolte osade või tarvikute kasutamine võib kaasa tuua seadme rikke, varalise kahju ja/või tõsise vigastuse.
- Laske Makitai volitatud hoolduskeskusel seadet regulaarselt kontrollida ja hooldada.

## Hoiustamine

- Enne seadme hoiulepanekut teostage sellele täielik puhastus ja hooldus. Võtke ära süüteküünla kork või akukassett. Pärast mootori jahtumist tühjendage seade kütusest. Eemaldage lõikeriist.
- Kui kütusepaak vajab tühjendamist, tehke seda alati välistingimustes.
- Hoidke seadet kuivas kohas lastele kättesaamatult kõrgel riiulil või luku taga.
- Ärge toetage seadet millegi, näiteks seina vastu. Vastasel korral võib see ootamatult ümber kukkuda ja põhjustada vigastusi.

## Esmaabi

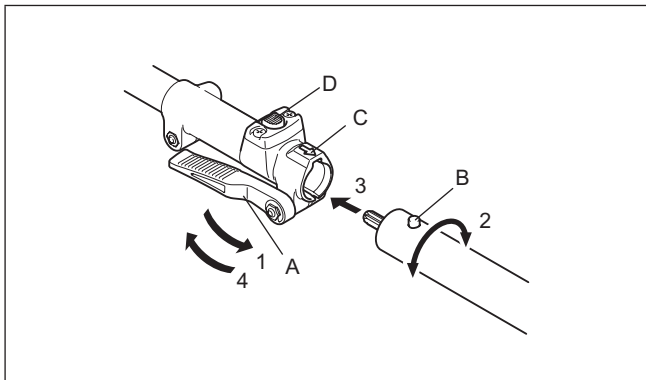
-  Esmaabikomplekt peab olema alati käepärast. Asendage kohe kõik vahendid, mille olete esmaabikomplektist ära tarvitanud.
- Kui kutsute abi, palun teatage järgmised andmed:
  - Õnnetuse toimumise koht;
  - Õnnetuse kirjeldus;
  - Vigastatud isikute arv;
  - Vigastuste iseloom;
  - Oma nimi.

## Montaaž ja reguleerimine

### HOIATUS:

- Enne seadme kokkumonteerimist või reguleerimist lülitage mootor välja ning võtke ära süüteküünla kork või akukassett. Vastasel korral võib lõikeriist või mõni muu osa liikuma hakata ja põhjustada tõsiseid vigastusi.
- Enne lõiketerade käsitsemist pange kätte kaitsekindad. Monteerimise või reguleerimise ajal võivad teie sõrmed sattuda kokkupuutesse lõiketeradega, mis võib põhjustada tõsise vigastuse.
- Asetage seadmed monteerimise ja reguleerimise ajaks alati maha. Seadme monteerimine või reguleerimine püstises asendis võib põhjustada tõsiseid vigastusi.
- Järgige peatükis „Ohutusnõuded“ ning mootorajami juhendis antud hoiatusi ja ohutusnõudeid.

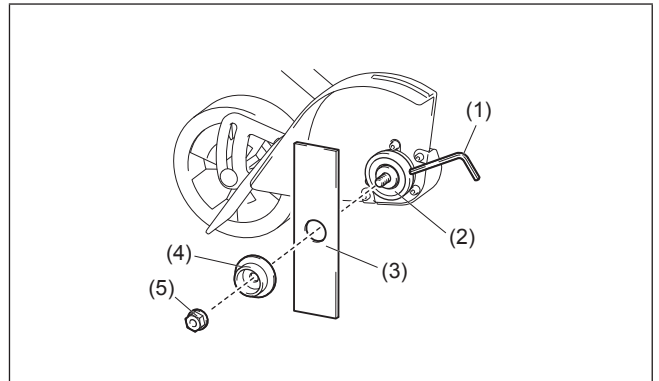
### Tarviku monteerimine mootorajami külge



Tarviku monteerimiseks mootorajami külge järgige allpool kirjeldatud toiminguid.

1. Veenduge, et lukustushoob (A) ei oleks pingutatud asendis.
  2. Joondage tihvt (B) noole märgiga (C).
  3. Lükake varras mootorajami võlli sisse, kuni vabastusnupp (D) kerkitab üles.
  4. Pingutage tugevasti lukustushooba (A), nagu joonisel näidatud. Tarviku eemaldamiseks lõdvendage lukustushooba, vajutage lukustusnupule ja tõmmake varras välja.
- NB!** Ärge pingutage lukustushooba (A) siis, kui tarviku varras on paigaldamata. Vastasel juhul võib lukustushoob pingutada ajamivõlli sissepääsuava liiga palju ja seda kahjustada.

### Lõiketera paigaldamine ja eemaldamine



1. Keerake vastuseibi (2) niimoodi, et vastuseibi ava jääks kohakuti ülekanne korpusel oleva avaga.
2. Lükake kuuskantvõti (1) avadest läbi. Veenduge, et vastuseib ei pööra.
3. Hoides kuuskantvõtit, keerake mutrit (5) padrunvõtmega päripäeva.
4. Eemaldage mutter ja klamber (4).
5. Paigaldage lõiketera (3).
6. Paigaldage klamber ja mutter uuesti.
7. Hoides kuuskantvõtit, keerake mutrit vastupäeva, et lõiketera kinnitada.

Lõiketera eemaldamiseks teostage eespool kirjeldatud toimingud vastupidises järjekorras.

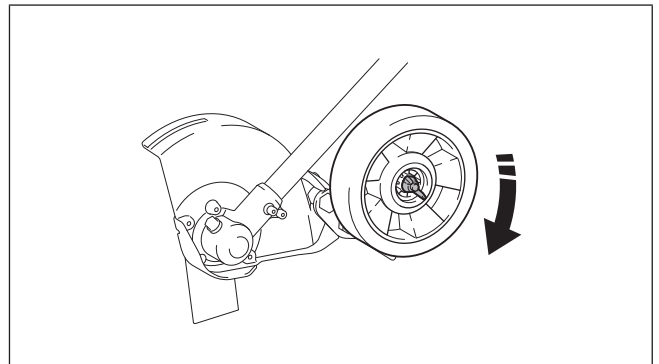
**MÄRKUS:** Lõiketera kinnitusmutter (koos vedruseibiga) kulub aja jooksul läbi. Kui mutter on kulunud või deformeerunud, siis vahetage see välja.

## Kasutamine

### HOIATUS:

- Kui tühikäigul töötava seadme lõikeriist liigub, reguleerige mootori tühikäigu kiirust väiksemaks. Vastasel juhul ei saa te lõikeriista liikumist peatada gaasi vabastamisega ning see võib põhjustada tõsise vigastuse.
- Järgige peatükis „Ohutusnõuded“ ning mootorajami juhendis antud hoiatusi ja ohutusnõudeid.

### Lõiketera sügavuse reguleerimine



- Lõdvendage rattal olevat mutrit.
- Liigutage ratast ja reguleerige kõrgust vastavalt tööle. Seejärel keerake mutter kinni.

## Nõuanded kasutamiseks

- Enne servamist kastke vastavat ala veega, et pehendada pinnast ja hõlbustada servamist.
- Enne servamist kontrollige tööpiirkonda ning eemaldage sealt kõik takistused ja esemed, mis võivad töö käigus eemale paiskuda.
- Teostage servamist regulaarselt, sest siis on lihtsam säilitada korralikku muruserva ja vältida rohkem kui ühte läbimist.

### MÄRKUS:

Lõiketera sügavuse reguleerimine võib osutada vajalikuks juhul, kui kõva pinna ja rohu tipu vahelises kõrguses esineb erinevusi.

- Reguleerige lõiketerade lõikesügavust selliselt, et saavutate kõnnitee ja muru vahel korraliku lõikuse, kasutades minimaalset lõiketera sügavust, mille puhul lõiketera tungib maapinda umbes 13 mm ulatuses.

## Kontrollimine ja hooldus

### ⚠ HOIATUS:

- Enne seadme kontrollimist ja hooldamist lülitage mootor välja ning võtke ära süüteküünlakork või aku. Vastasel korral võib lõikeriist või mõni muu osa liikuma hakata ja põhjustada tõsiseid vigastusi.
- Asetage seade kontrolli ja hooldamise ajaks alati maha. Seadme monteerimine või reguleerimine püstises asendis võib põhjustada tõsiseid vigastusi.
- Järgige peatükis „Ohutusnõuded“ ning mootorajami juhendis antud hoiatusi ja ohutusnõudeid.

### Lõikeriista teritamine

#### ⚠ HOIATUS:

Ärge teritage lõiketerasid ise. Käsitsi teritamine viib lõiketera tasakaalust välja ning võib põhjustada vibratsiooni ja seadme kahjustusi.

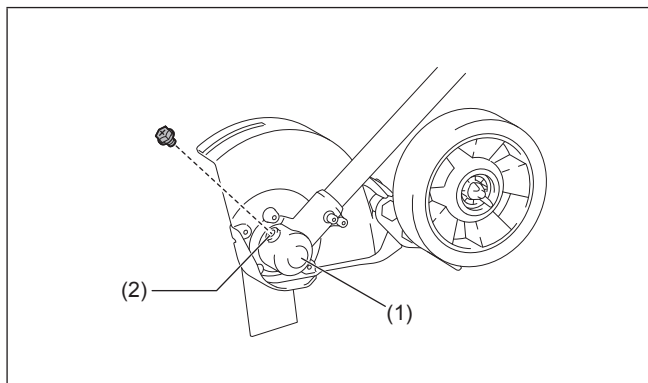
Paluge Makitai volitatud hoolduskeskusel nürinenud lõiketerasid teritada ja uuesti tasakaalustada.

### Liikuvate osade määrimine

**NB!** Järgige kaasasolevaid juhiseid määrimissageduse ja määrdekoguse kohta. Vastasel korral võib määrde puudumine liikuvaid osi kahjustada.

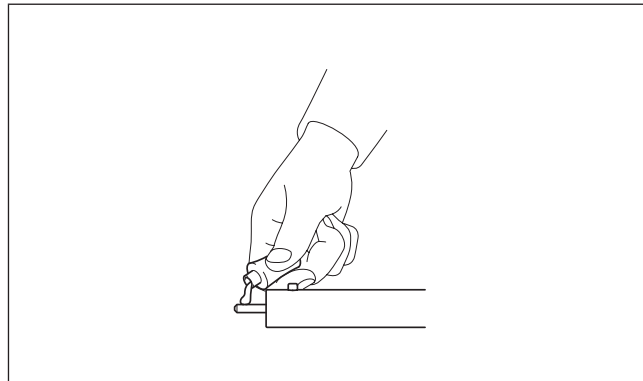
#### Ülekande korpus

Kandke määrde (Shell Alvania 2 või analoogne) määrdeava (2) kaudu ülekande korpusele (1) iga 30 tunni järel. (Makitai originaalmäärde saate osta oma Makitai müügiesindajalt.)



#### Ajamitelg

Kandke sellele määrde (Shell Alvania nr 2 või analoogne) iga 30 töötunni järel.



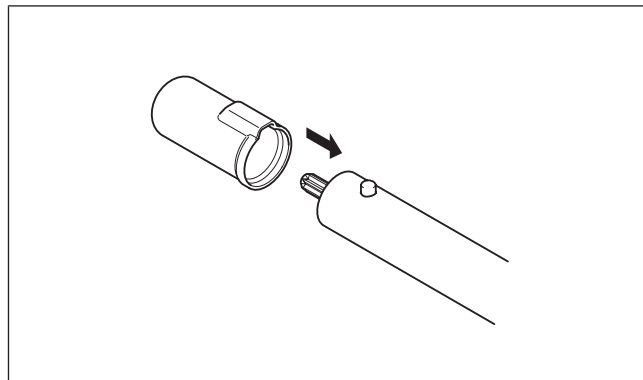
### Üldine kontrollimine

- Keerake kinni lahtised poldid, mutrid ja kruvid.
- Kontrollige, kas leidub kahjustatud osi. Nende väljavahetamiseks pöörduge Makitai volitatud hoolduskeskusse.

## Hoiustamine

### ⚠ HOIATUS:

Järgige peatükis „Ohutusnõuded“ ning mootorajami juhendis antud hoiatusi ja ohutusnõudeid.



Kui hoiustate servamistrimmeri tarvikut mootorajamist eraldi, paigaldage varre otsale kork.

## Hooldusgraafik

Töötunnid		Enne töö alustamist	Iga päev (10 h)	30 h	Vajadusel	Vastav lehekülg
Kogu seade	Vaadata, kas ei esine kahjustatud osi	○				55
Kõik kinnituspoldid ja mutrid	Pingutage	○				55
Ülekande korpus	Lisada mäaret			○		55
Ajamitelg	Lisada mäaret			○		55
Lõiketera	Vaadata, kas ei esine kahjustusi	○	○			55
Mootorajam	Vt mootorajami juhendit					

## Tõrkeotsing

Probleem	Tõenäoline põhjus	Lahendus
Mootor ei käivitu.	Vt mootorajami juhendit.	
Mootor seiskub varsti pärast käivitumist.		
Töökiirus on piiratud.		
Lõikeriist ei pöörle. → Peatage viivitamatult mootor!	Lõiketera ei ole korralikult kinnitatud.	Kinnitage lõiketera korralikult.
	Oks on sattunud lõiketera ja kaitsekatte vahele.	Eemaldage võõrkehad.
	Ajamisüsteem ei toimi korralikult.	Paluge Makitai volitatud hoolduskeskusel seda kontrollida ja parandada.
Seade vibreerib ebanormaalselt. → Peatage viivitamatult mootor!	Lõiketera on paindunud, kulunud või murdunud.	Vahetage lõiketera uue vastu välja.
	Lõiketera ei ole korralikult kinnitatud.	Kinnitage lõiketera korralikult.
	Lõiketera ei ole paigaldatud vastuseibile.	Paigaldage lõiketera nõuetekohaselt.
	Ajamisüsteem ei toimi korralikult.	Paluge Makitai volitatud hoolduskeskusel seda kontrollida ja parandada.
Lõikeriist ei peatu. → Peatage viivitamatult mootor!	Mootorajam ei toimi korralikult.	Vt mootorajami juhendit.

## Tehnilised andmed

Mudel		EE400MP
Mõõtmed (P x L x K)	mm	878 x 131 x 291
Netokaal (ilma kaitsekatte ja lõiketerata)	kg	2,4
Lõiketera läbimõõt	mm	203
Ülekandearv		14/29

## EÜ vastavusdeklaratsioon

Meie, tootjatena **Makita Europe N.V.**  
Tegevuskoha aadress **Jan-Baptist Vinkstraat 2**  
**3070 Kortenberg**  
**Belgia**

volitab **Kazuhisa Makinot** koostama tehnilist toimikut ja deklareerib oma ainuvastutusel, et toode/tooted

Nimetus ..... **Servamistrimmeri tarvik**

Tüübi (tüüpide) nimetus ..... **EE400MP**

Vastab (vastavad) direktiivi **2006/42/EÜ** kõigile asjakohastele sätetele

ja vastab (vastavad) lisaks alljärgnevate EÜ/EL-i direktiivide kõigile asjakohastele sätetele: **2000/14/EÜ**

ning on valmistatud kooskõlas alljärgnevate ühtlustatud standarditega: **ISO 11789:1999**

Deklareerimise koht ja kuupäev: **Kortenberg, Belgia, 28.6.2023**

Vastutav isik: **Kazuhisa Makino**



**Direktor, Makita Europe N.V.**

**Содержание**

	Стр.
Содержание.....	58
Предисловие.....	58
Символы.....	58
Сертифицированный силовой агрегат.....	59
Описание деталей.....	59
Меры безопасности.....	59
Сборка и регулировка.....	61
Эксплуатация.....	62
Осмотр и уход.....	62
Хранение.....	63
Интервал обслуживания.....	64
Поиск и устранение неисправностей.....	64
Технические характеристики.....	64
Декларация о соответствии стандартам ЕС.....	65

**Предисловие**

Благодарим вас за приобретение насадки кромкорез Makita. Данная насадка предназначена для установки на силовой агрегат Makita, указанный в данной инструкции по эксплуатации.

Перед началом эксплуатации ознакомьтесь с данным буклетом и инструкцией по эксплуатации силового агрегата. Это поможет вам максимально эффективно использовать насадку кромкорез Makita.

**Символы**

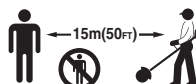
На насадке и в руководстве используются следующие символы. Уясните эти определения.



Обратите особое внимание!



Прочтите руководство по эксплуатации.



Не допускать в рабочую зону посторонних лиц



Использовать средства защиты зрения и слуха.



Используйте защитные перчатки.



Обувайте прочные ботинки с нескользящими подошвами. Рекомендуется использовать защитную обувь со стальными подносками.



Запрещено!



Первая помощь

## Сертифицированный силовой агрегат

Данная насадка может быть использована только со следующими силовыми агрегатами:

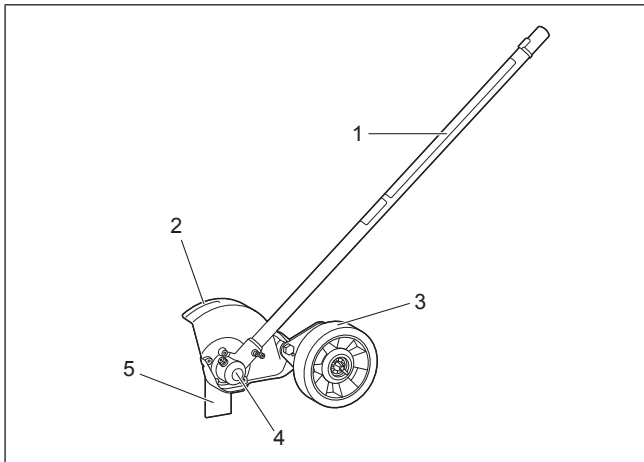
**EX2650LH Многофункциональный бензомоторный привод для садовых насадок**  
**BUX360, BUX361, BUX362, UX360D, UX361D, UX362D, DUX60, DUX18, UX01G**

**Многофункциональный аккумуляторный привод для садовых насадок**

### ⚠ ПРЕДОСТЕРЕЖЕНИЕ:

Запрещается использовать насадку с несертифицированным силовым агрегатом.  
Нерекомендованное сочетание может стать причиной тяжелой травмы.

## Описание деталей



Номера, указанные ниже, относятся к рисунку.

1. Вал
2. Кожух ножа
3. Диск
4. Картер редуктора
5. Нож

## Меры безопасности

### ⚠ ПРЕДОСТЕРЕЖЕНИЕ:

Ознакомьтесь со всеми инструкциями и указаниями по технике безопасности, указанными в данном буклете и инструкции по эксплуатации силового агрегата. Несоблюдение всех инструкций может привести к поражению электрическим током, пожару и/или серьезной травме.

Сохраните брошюру с инструкциями и рекомендациями для дальнейшего использования.

Термины “кромкорез” и “оборудование” в инструкциях относятся к комбинации насадки и силового агрегата.  
Термин “двигатель” в инструкциях относится к двигателю или электромотору силового агрегата.

### Назначение

- Данное оборудование предназначено для подрезания травы только при использовании с одобренным силовым агрегатом. Запрещается использовать насадку для других целей. Нарушение требований эксплуатации может привести к серьезным травмам.

### Общие положения

- Перед началом эксплуатации оборудования ознакомьтесь с соответствующими указаниями в данном буклете и инструкции по эксплуатации оборудования.
- Насадкой должны пользоваться только люди, знающие правила обращения с оборудованием.

- Обязательно передавайте вместе с насадкой и руководство по эксплуатации.
- Оборудованием не должны пользоваться дети или лица, не достигшие 18-летнего возраста. Храните оборудование вне зоны их доступа.
- Используйте оборудование с максимальной осторожностью и вниманием.
- Запрещается использовать оборудование в состоянии алкогольного/наркотического опьянения, при усталости или болезни.
- Помните, что оператор/пользователь несет ответственность за происшествия и опасные ситуации с другими людьми или их собственностью.
- Запрещается вносить изменения в конструкцию насадки.
- Соблюдайте национальное законодательство в сфере обращения с оборудованием.

### Индивидуальные средства защиты

- Для собственной защиты от разлетающихся частиц и падающих предметов надевайте шлем, защитные очки и перчатки.



- Используйте средства защиты органов слуха (например, наушники) во избежание потери слуха.
- Для обеспечения безопасности работы надевайте соответствующую одежду и обувь (например, рабочий комбинезон и прочные ботинки с нескользящей подошвой). Не надевайте свободную одежду или украшения. Свободная одежда, украшения или длинные волосы могут попасть в движущиеся детали устройства.
- Прежде чем браться за нож, наденьте защитные перчатки. Ножи могут сильно поранить незащищенные руки.

### Безопасность в месте выполнения работ

- Используйте оборудование только при хорошей видимости и дневном освещении. Запрещается использовать оборудование в темное время суток или в условиях тумана.
- Включайте и используйте двигатель только вне помещения в хорошо проветриваемой зоне. Эксплуатация в ограниченных или плохо проветриваемых пространствах может привести к смерти (от удушья или отравления окисью углерода).
- Во время работы запрещается находиться на неустойчивых или скользких поверхностях или крутом склоне. В холодное время года помните о наличии льда и снега и обязательно занимайте устойчивое положение.
- Во время работы посторонние лица или животные должны находиться на расстоянии не менее 15 м от оборудования. В случае приближения посторонних лиц немедленно выключите двигатель.
- Перед началом работ убедитесь в отсутствии на рабочем месте камней или других твердых предметов. Они могут отскочить или вызвать опасную отдачу, что чревато серьезными травмами и/или повреждением имущества.
- ⚠ ПРЕДОСТЕРЕЖЕНИЕ: В ходе использования данного устройства может образовываться пыль с содержанием химических веществ, которые могут вызвать респираторные или другие заболевания. Некоторые из данных химических веществ входят в состав пестицидов, инсектицидов, удобрений и гербицидов. Степень риска от контакта с данными веществами зависит от частоты выполнения подобного типа работ. Для снижения вреда, наносимого такими химическими веществами: выполняйте работы в хорошо проветриваемом

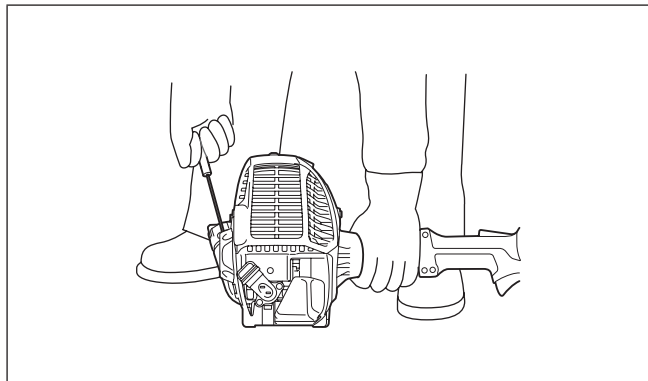
помещении с использованием утвержденных средств обеспечения безопасности работ, таких как противопылевые респираторы, специально предназначенные для задержания микроскопических частиц.

## Начало работы

- Перед сборкой или регулировкой оборудования выключите двигатель и отсоедините провод от свечи зажигания или аккумуляторного блока.
- Перед выполнением работ с ножом наденьте защитные перчатки.
- Перед запуском двигателя осмотрите оборудование на предмет повреждений, ослабленных винтов/гаек или неправильной сборки. Если нож поврежден, замените его. Проверьте плавность работы всех рычагов управления и переключателей. Очистите и протрите насухо рукоятки.
- Не пытайтесь завести двигатель, если оборудование повреждено или собрано не полностью. Это может привести к серьезным травмам.
- Отрегулируйте плечевой ремень и ручку.

## Включение двигателя

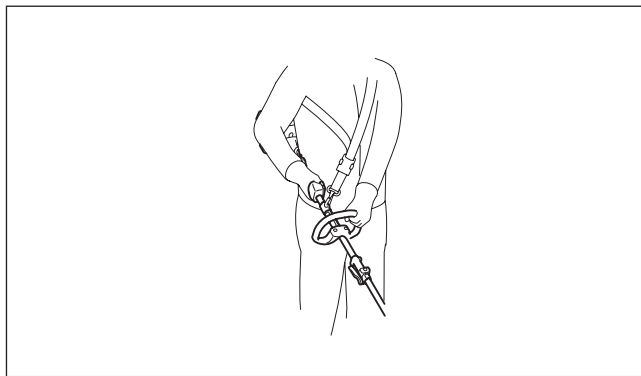
- Перед включением двигателя наденьте средства индивидуальной защиты.
- Запуск двигателя необходимо производить на расстоянии не менее 3 метров (10 футов) от места заправки инструмента топливом.
- Перед включением двигателя убедитесь в отсутствии посторонних лиц или животных на рабочем месте.
- Во время включения двигателя или установки аккумуляторного блока режущий инструмент не должен касаться оператора и других объектов, включая землю. Он может отскочить или вызвать опасную отдачу, что чревато серьезными травмами и/или повреждением имущества.
- Установите оборудование на твердую поверхность. Сохраняйте устойчивое положение.
- Во время вытягивания рукоятки стартера плотно прижмите силовой агрегат к земле левой рукой. Запрещается наступать на карданный вал силового агрегата.



- Чтобы запустить двигатель, следуйте инструкциям в руководстве по эксплуатации силового агрегата.
- Если режущий инструмент движется во время работы инструмента на холостых оборотах, выключите двигатель и уменьшите число оборотов холостого хода.

## Эксплуатация

- При возникновении экстренной ситуации немедленно выключите двигатель.
- При обнаружении необычных условий (например, шум, вибрация) во время работы, выключите двигатель. Запрещается использовать оборудование до тех пор, пока причина проблемы не выяснена и не устранена.
- После отпущения куркового выключателя дроссельной заслонки или выключения двигателя режущий инструмент продолжает вращаться еще некоторое время. Не спешите касаться режущего инструмента.
- Только когда двигатель работает на холостом ходу, подсоедините плечевой ремень.
- Во время работы используйте плечевой ремень. Надежно удерживайте оборудование с правой стороны от себя.



- Удерживайте переднюю рукоятку левой рукой, а заднюю - правой (вне зависимости от того, правша вы или левша). Обхватите пальцами рукоятки.
- Не пытайтесь управлять оборудованием одной рукой. Потеря контроля над инструментом может привести к серьезным или смертельным травмам. Для снижения риска получения травмы руки и ноги оператора должны находиться на безопасном расстоянии от режущего инструмента.
- При эксплуатации инструмента соблюдайте устойчивое положение и не тянитесь. Всегда сохраняйте устойчивое положение ног и равновесие. Чтобы не споткнуться, помните о возможности скрытых препятствий (пни, корни и канавы).
- Во избежание выхода инструмента из-под контроля запрещается работать на лестнице или на дереве.
- Если оборудование получило сильный удар или упало, перед продолжением работы проверьте его состояние. Проверьте топливную систему на предмет утечек, а также органы управления и системы защиты на предмет исправности. При возникновении сомнений или обнаружении повреждения обратитесь в авторизованный сервисный центр Makita для осмотра инструмента и ремонта.
- Не касайтесь картера редуктора. Во время работы картер редуктора нагревается.
- Чтобы не потерять контроль над инструментом из-за усталости, делайте перерывы в работе. Рекомендуется делать 10 - 20 минутные перерывы после каждого часа работы.
- Оставляя оборудование даже на небольшой период времени, обязательно выключите двигатель или снимите аккумуляторный блок. Оборудованием со включенным двигателем, оставленным без присмотра, может воспользоваться посторонний человек. Это может привести к несчастному случаю.
- Правила использования рычага управления и выключателей см. в руководстве по эксплуатации силового агрегата.
- Во время или после работы не кладите горячее оборудование на сухую траву или на горючие материалы.
- В случае застревания травы или веток между режущим инструментом и ограждением обязательно выключите двигатель, извлеките свечу или аккумуляторный блок, прежде чем приступать к очистке. Случайное вращение ножа может привести к тяжелой травме.
- В случае удара режущего инструмента о камень или другой твердый предмет немедленно выключите двигатель и осмотрите режущий инструмент.
- Часто проверяйте режущий инструмент во время работы на предмет трещин или повреждений. Перед осмотром выключите двигатель и дождитесь полной остановки режущего инструмента. Незамедлительно замените поврежденный режущий инструмент даже при наличии только внешних трещин.
- Никогда не выполняйте резку на высоте выше уровня пояса.
- Перед началом резки нажмите на курковый выключатель и дождитесь, пока скорость вращения режущего инструмента станет постоянной.
- Соблюдайте осторожность на склонах.
- Передвигайтесь шагом, не бегайте.
- Соблюдайте особую осторожность при движении задним ходом или подтягивая кромкорез к себе.
- Обязательно выключайте нож для транспортировки по поверхности, отличной от травы, либо при транспортировке кромкореза к месту эксплуатации и обратно.
- Выключайте двигатель кромкореза, оставляя его без присмотра.

## Режущие инструменты

- Запрещается использовать другие ножи, в том числе металлические поворотные цепи и цепные ножи. Это может привести к серьезной травме.
- Обязательно используйте ограждение режущего элемента, подходящее для используемого режущего инструмента.

## Вибрация

- Лица, имеющие нарушения системы кровообращения, работающие в условиях сильных вибраций, могут подвергаться риску травм кровеносных сосудов или нервной системы. Вибрации могут привести к возникновению следующих симптомов в пальцах, руках или запястьях. “Сонный паралич” (онемение), покалывание, боль, чувство пронзающей боли или изменение цвета кожи. В случае возникновения любого из этих симптомов обратитесь к врачу!
- Для снижения риска синдрома белых пальцев во время работы держите руки в тепле и обслуживайте оборудование и дополнительные принадлежности надлежащим образом.

## Транспортировка

- Перед транспортировкой оборудования выключите двигатель и отсоедините провод от свечи зажигания или аккумуляторного блока. Снятие режущего инструмента.
- Во время транспортировки оборудования переносите его в горизонтальном положении, удерживая за вал. Держите горячий глушитель на удалении от себя.
- При транспортировке оборудования на автомобиле закрепите его надлежащим образом во избежание его опрокидывания. В противном случае может произойти разлив топлива и повреждение оборудования и прочего багажа.

## Обслуживание


- При обслуживании оборудования в авторизованном сервисном центре обязательно используйте оригинальные запчасти. Неправильный ремонт или ненадлежащее обслуживание могут значительно сократить срок службы оборудования и увеличить риск несчастных случаев.
- Перед выполнением обслуживания, ремонта или чистки оборудования обязательно выключите двигатель и отсоедините провод от свечи зажигания или аккумуляторного блока. Дождитесь, пока двигатель остынет.
- Для снижения риска пожара запрещается выполнять обслуживание оборудования вблизи источника огня.
- При работе с ножами обязательно надевайте защитные перчатки.
- Обязательно очистите оборудование от пыли и грязи. Запрещается использовать для этого бензин, лигроин, растворитель, спирт и т.п. Это может привести к изменению цвета, деформации и появлению трещин на пластиковых компонентах.
- После каждого использования затяните все винты и гайки (кроме винтов регулировки карбюратора).
- Выполнение любых работ (обслуживание или ремонт), которые не описаны в данном буклете или инструкции по эксплуатации силового агрегата, запрещено. Для выполнения подобных работ обратитесь в авторизованный сервисный центр Makita.
- Используйте только оригинальные запасные части и аксессуары Makita. Использование неоригинальных запасных частей или аксессуаров может привести к поломке оборудования, повреждению имущества и/или серьезной травме.
- Через равные промежутки времени обращайтесь в авторизованный сервисный центр Makita для осмотра и обслуживания оборудования.

## Хранение

- Перед помещением оборудования на хранение полностью очистите его и проведите обслуживание. Отсоедините провод от свечи зажигания или аккумуляторного блока. После того, как двигатель остыл, слейте топливо. Снимите режущий инструмент.
- Если требуется слить топливо из бака, это следует делать вне помещения.
- Оборудование должно храниться в сухом высоком или запортом месте, недоступном для детей.

- Не прислоняйте оборудование к каким-либо предметам, например, к стене. Оно может неожиданно упасть и причинить травму.

## Первая помощь

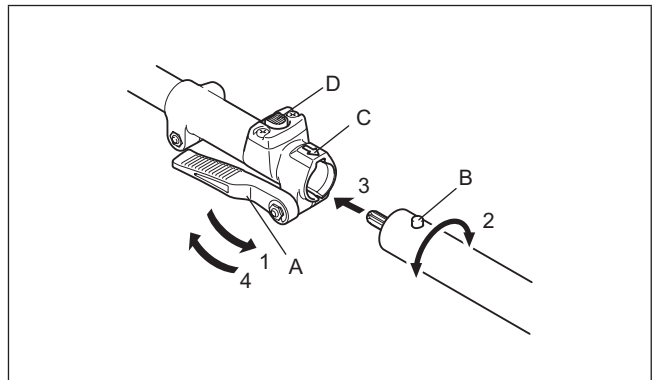
-  Поблизости всегда должна быть аптечка первой помощи. Незамедлительно заменяйте все использованные компоненты аптечки.
- Обращаясь за помощью, сообщайте следующую информацию:
  - место происшествия
  - что случилось
  - число пострадавших
  - характер травмы
  - свое имя

## Сборка и регулировка

### ПРЕДОСТЕРЕЖЕНИЕ:

- Перед сборкой или регулировкой оборудования выключите двигатель и отсоедините провод от свечи зажигания или аккумуляторного блока. В противном случае режущий инструмент или другие части могут прийти в движение и причинить травму.
- Перед выполнением работ с ножом наденьте защитные перчатки. При сборке или разборке вы можете коснуться пальцами ножа и получить тяжелую травму.
- Во время сборки или регулировки оборудования обязательно положите его. Сборка или регулировка оборудования в вертикальном положении может привести к серьезной травме.
- Соблюдайте все требования раздела “Меры безопасности” и инструкции по эксплуатации силового агрегата.

### Установка насадки на силовой агрегат



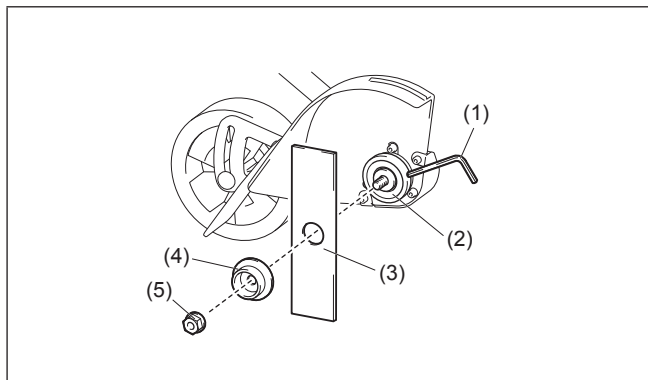
Чтобы установить насадку на силовой агрегат, выполните следующее.

1. Убедитесь, что стопорный рычаг (A) не затянут.
2. Совместите штифт (B) со стрелкой (C).
3. Вставьте вал в приводной вал силового агрегата так, чтобы кнопка разблокировки (D) поднялась.
4. Надежно затяните стопорный рычаг (A) как показано на рисунке.

Чтобы снять насадку, ослабьте стопорный рычаг, нажмите кнопку блокировки и извлеките вал.

**ПРИМЕЧАНИЕ:** Не затягивайте стопорный рычаг (A), не вставив вал насадки. В противном случае стопорный рычаг может слишком сильно зажать входное отверстие приводного вала и повредить его.

## Установка и снятие ножа



1. Поверните опорную шайбу (2), чтобы отверстие на шайбе совпало с отверстием на картере редуктора.
2. Вставьте шестигранный ключ (1) через отверстия. Убедитесь, что опорная шайба не вращается.
3. Удерживая шестигранный ключ, поверните гайку (5) по часовой стрелке с помощью торцового ключа.
4. Снимите гайку и хомут (4).
5. Установите нож (3).
6. Установите на место хомут и гайку.
7. Удерживая шестигранный ключ, поверните гайку против часовой стрелки для фиксации ножа.

Чтобы снять нож, выполните описанные выше действия в обратном порядке.

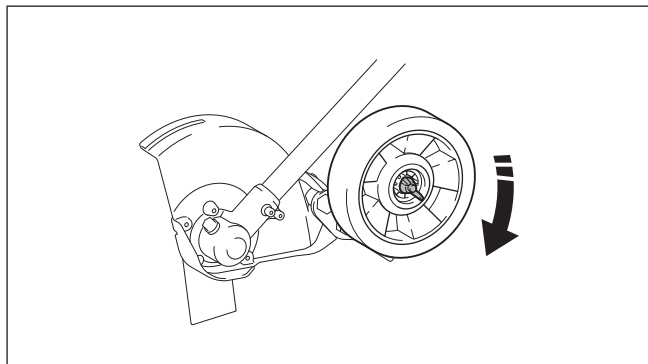
**ПРИМЕЧАНИЕ:** С течением времени гайка, фиксирующая режущее полотно (и гроверная шайба) изнашивается. Если на гайке появятся признаки износа или деформации, замените ее.

## Эксплуатация

### ⚠ ПРЕДОСТЕРЕЖЕНИЕ:

- Если режущий инструмент движется на холостых оборотах, уменьшите холостые обороты двигателя. В противном случае вы не сможете остановить режущий инструмент дросселем, что может стать причиной тяжелых травм.
- Соблюдайте все требования раздела “Меры безопасности” и инструкции по эксплуатации силового агрегата.

## Регулировка глубины распила



- Ослабьте гайку на диске.
- Переместите диск и отрегулируйте высоту в соответствии с типом выполняемых работ, после чего затяните гайку.

## Советы по эксплуатации

- Перед подрезанием кромки намочите поверхность обрабатываемого участка, чтобы смягчить землю и упростить работу.
- Перед подрезанием кромки проверьте участок работ и удалите все препятствия и предметы, которые могут разлететься.
- Чтобы кромка всегда была в надлежащем состоянии и не требовалось делать несколько проходов, регулярно осуществляйте данный тип работ.

### ПРИМЕЧАНИЕ:

Может потребоваться регулировка глубины распила из-за разницы в высоте между твердой поверхностью и верхней частью травы.

- Отрегулируйте глубину распила для достижения точного резания между тротуаром и травой при минимальной глубине распила (обычно в землю погружается около 13 мм (1/2”) ножа).

## Осмотр и уход

### ⚠ ПРЕДОСТЕРЕЖЕНИЕ:

- Перед осмотром или обслуживанием оборудования выключите двигатель и отсоедините провод от свечи зажигания или аккумуляторного блока. В противном случае режущий инструмент или другие части могут прийти в движение и причинить травму.
- Во время осмотра или обслуживания оборудования обязательно положите его. Сборка или регулировка оборудования в вертикальном положении может привести к серьезной травме.
- Соблюдайте все требования раздела “Меры безопасности” и инструкции по эксплуатации силового агрегата.

## Заточка режущего инструмента

### ⚠ ПРЕДОСТЕРЕЖЕНИЕ:

Не выполняйте повторную заточку ножей самостоятельно. Ножа приводит к нарушению балансировки режущего лезвия, что может вызвать вибрацию и повреждение оборудования.

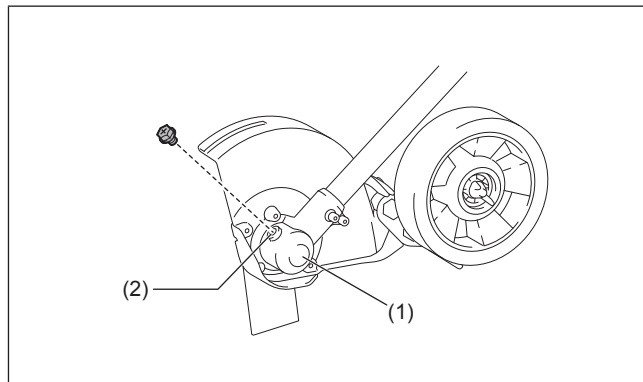
Для заточки и балансировки затупившихся ножей обратитесь в сертифицированный сервисный центр Makita.

## Смазка движущихся деталей

**ПРИМЕЧАНИЕ:** Следуйте рекомендованную периодичность и количество подачи смазки. Недостаточное количество смазки может привести к повреждению движущихся частей.

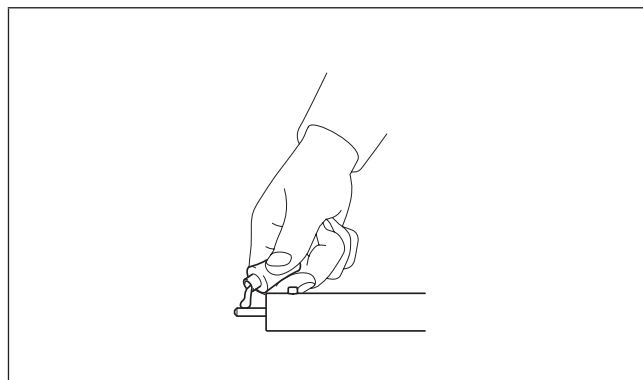
Картер редуктора:

Закладка консистентной смазки (Shell Alvania 2 или аналогичная) в картер редуктора (1) через отверстие для смазки (2) осуществляется через каждые 30 часов работы. (Оригинальную консистентную смазку Makita можно приобрести у местного дилера Makita.)



Ведущая ось:

Наносите смазку (Shell Alvania No. 2 или аналогичную) после каждых 30 часов работы.



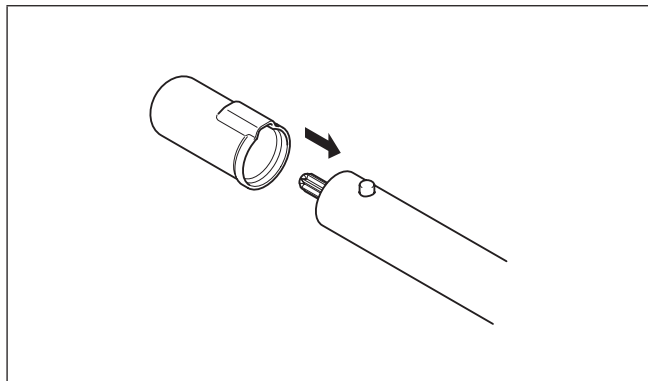
## Общий осмотр

- Затяните ослабленные болты, гайки и винты.
- Убедитесь в отсутствии поломанных деталей. Для их замены обратитесь в авторизованный сервисный центр Makita.

## Хранение

### **⚠ ПРЕДОСТЕРЕЖЕНИЕ:**

Соблюдайте все требования раздела "Меры безопасности" и инструкции по эксплуатации силового агрегата.



Во время хранения насадки кромкореза отдельно от силового агрегата конец вала закройте крышкой.

## Интервал обслуживания

Рабочих часов		Перед началом работы	Ежедневно (10 ч)	30 ч	При необходимости	Соответствующая страница
Весь блок	Визуально осмотрите на наличие поврежденных элементов	○				63
Все винты и гайки крепления.	Затянуть	○				63
Картер редуктора	Закладка смазки			○		63
Ведущая ось	Закладка смазки			○		63
Нож	Визуально осмотрите на предмет повреждений	○	○			63
Силовой агрегат	См. инструкцию по эксплуатации силового агрегата					

## Поиск и устранение неисправностей

Проблема	Возможная причина	Решение
Двигатель не заводится.	См. инструкцию по эксплуатации силового агрегата.	
Двигатель останавливается вскоре после запуска.		
Максимальная скорость вращения ограничена.		
Режущий инструмент не вращается. → Немедленно выключите двигатель!	Нож диск зафиксирован ненадежно.	Надежно затяните нож.
	Между ножом и защитным приспособлением попал сучок.	Удалите посторонние предметы.
	Привод работает неправильно.	Обратитесь в авторизованный сервисный центр Makita для осмотра и ремонта.
Сильная вибрация блока. → Немедленно выключите двигатель!	Нож погнут, изношен или сломан.	Замените нож на новый.
	Нож зафиксирован ненадежно.	Надежно затяните нож.
	Нож не установлено на опорную шайбу.	Установите нож надлежащим образом.
	Привод работает неправильно.	Обратитесь в авторизованный сервисный центр Makita для осмотра и ремонта.
Режущий инструмент не останавливается. → Немедленно выключите двигатель!	Силовой агрегат работает неправильно.	См. инструкцию по эксплуатации силового агрегата.

## Технические характеристики

Модель	EE400MP	
Размеры (Д x Ш x В)	мм	878 x 131 x 291
Вес нетто (без защитного приспособления и ножа)	кг	2,4
Диаметр ножа	мм	203
Передаточное число	14/29	

## Декларация о соответствии стандартам ЕС

Компания-производитель **Makita Europe N.V.**  
Физический адрес **Jan-Baptist Vinkstraat 2**  
**3070 Kortenberg**  
**БЕЛЬГИЯ**

предоставляем **Кадзухисе Макино (Kazuhisa Makino)** право на составление технической документации и заявляем под нашу исключительную ответственность, что продукция;

Название ..... **Насадка Кромкорез**  
Обозначение типа ..... **EE400MP**

Соответствует всем требуемым положениям **2006/42/ЕС**

и отвечает соответствующим положениям следующих директив Европейского сообщества/Евросоюза: **2000/14/ЕС**

и изготовлено в соответствии со следующими едиными стандартами: **ISO 11789:1999**

Место и дата подписания декларации: **Кортенберг, Бельгия, 28.6.2023**

Ответственное лицо: **Кадзухисе Макино (Kazuhisa Makino)**



**Директор - Makita Europe N.V.**





# Makita Europe N.V.

Jan-Baptist Vinkstraat 2, 3070 Kortenberg, Belgium

# Makita Corporation

3-11-8, Sumiyoshi-cho, Anjo, Aichi 446-8502 Japan

[www.makita.com](http://www.makita.com)

885310C989

ALA

