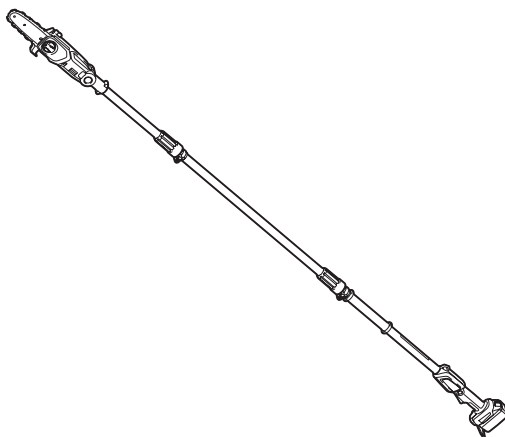




EN	Cordless Pole Saw	INSTRUCTION MANUAL	10
SV	Batteridrivnen stamkvistare	BRUKSANVISNING	22
NO	Batteridrevet stangsag	BRUKSANVISNING	35
FI	Akkukäyttöinen oksasaha	KÄYTTÖOHJE	48
DA	Akku stangsav	BRUGSANVISNING	61
LV	Bezvada kāta zāģis	LIETOŠANAS INSTRUKCIJA	74
LT	Akumuliatorinis vamzdinis pjūklas	NAUDOJIMO INSTRUKCIJA	87
ET	Juhtmeta oksasaag	KASUTUSJUHEND	100
RU	Высоторез аккумуляторный	РУКОВОДСТВО ПО ЭКСПЛУАТАЦИИ	113

DUA200



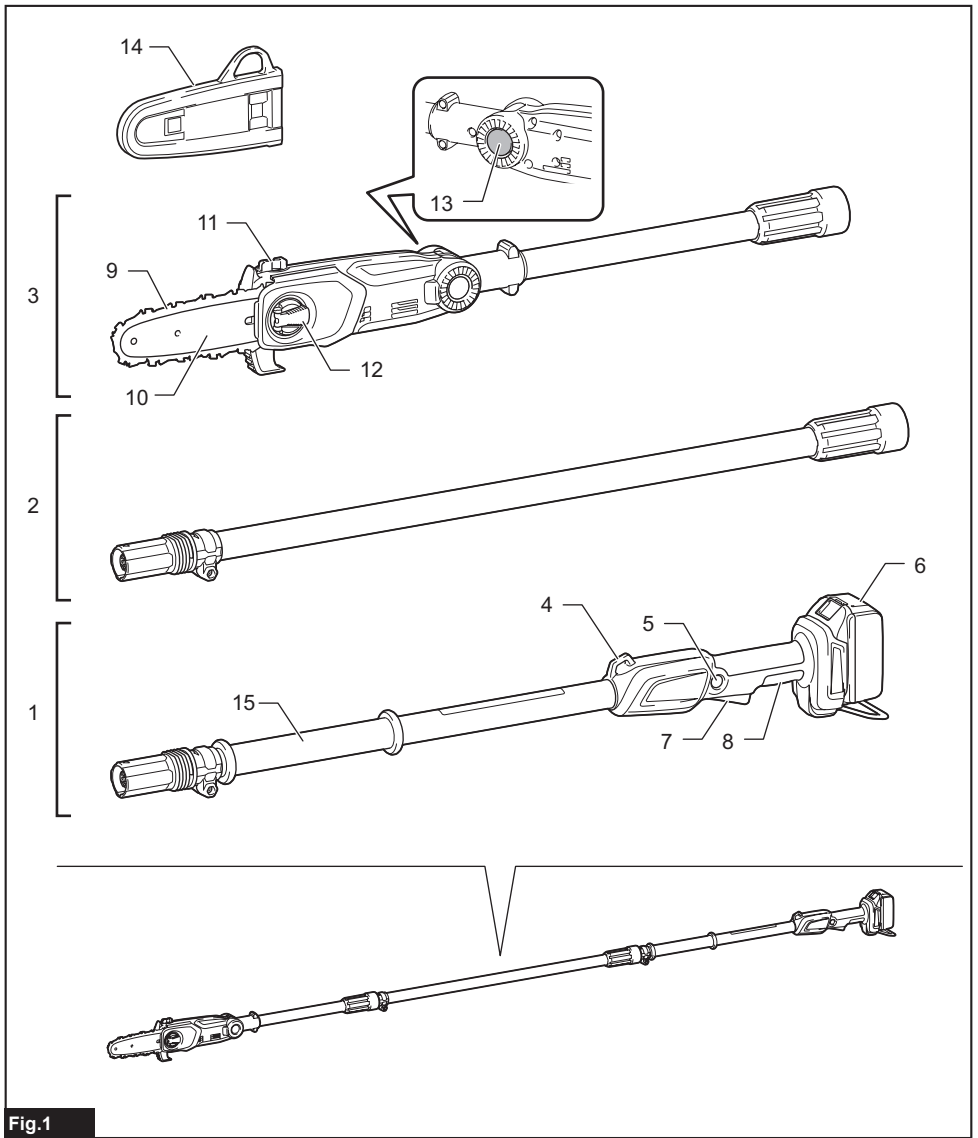


Fig.1

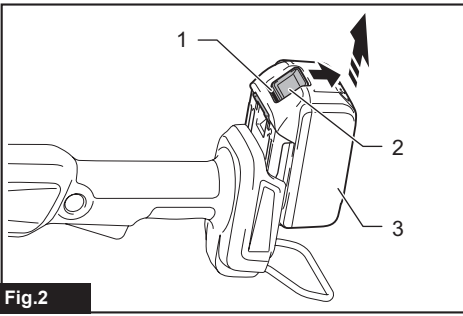


Fig.2

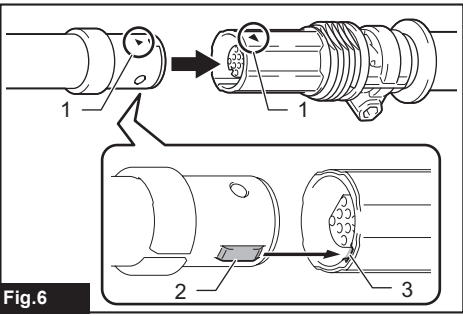


Fig.6

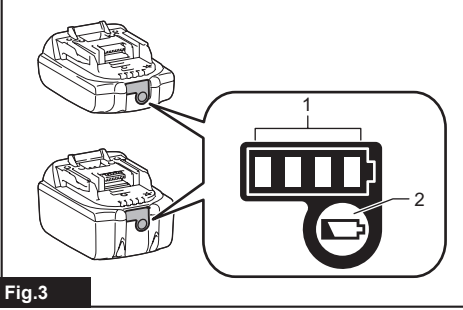


Fig.3

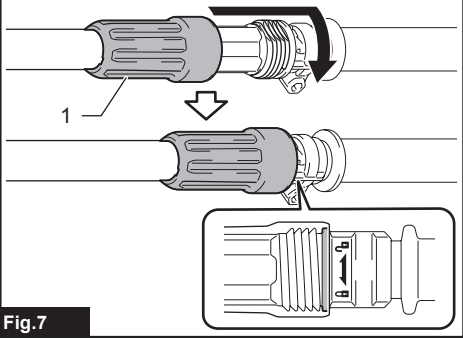


Fig.7

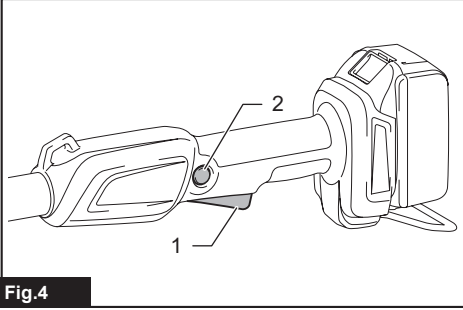


Fig.4

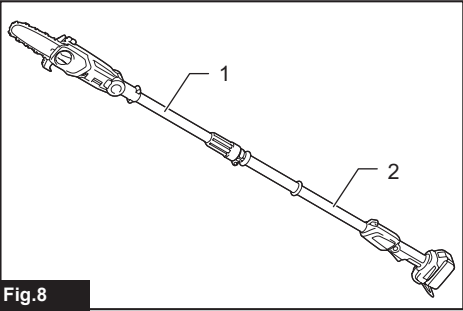


Fig.8

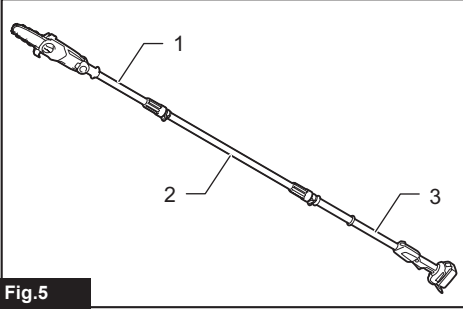


Fig.5

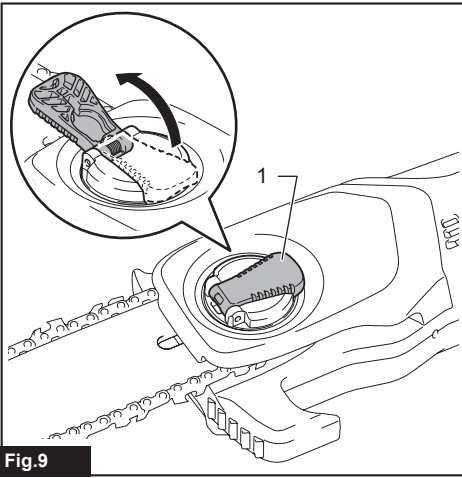


Fig.9

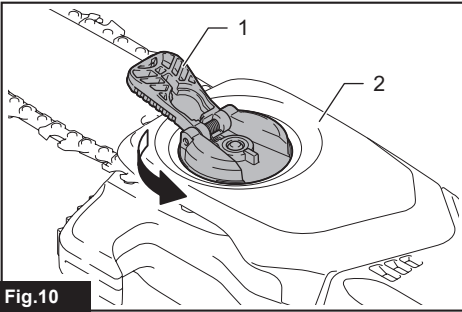


Fig.10

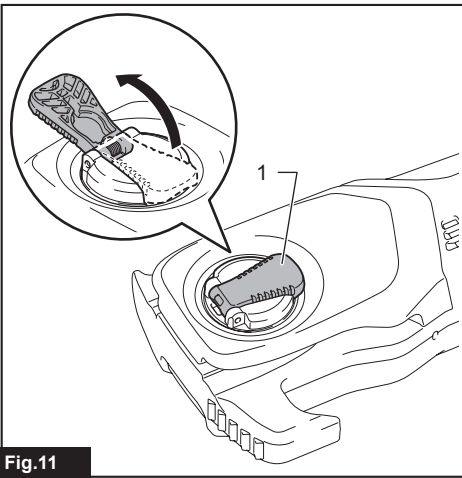


Fig.11

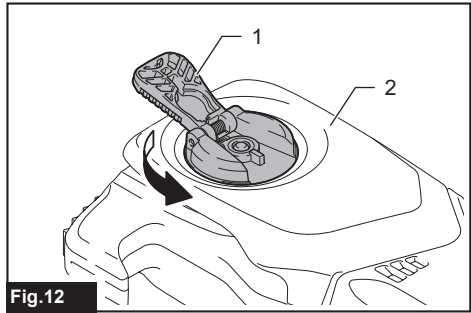


Fig.12

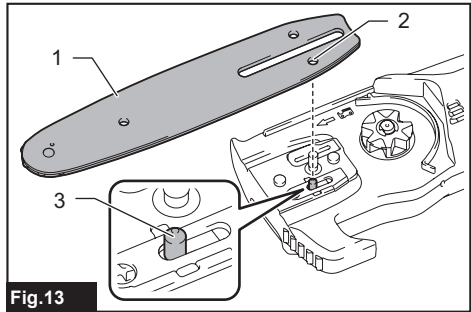


Fig.13

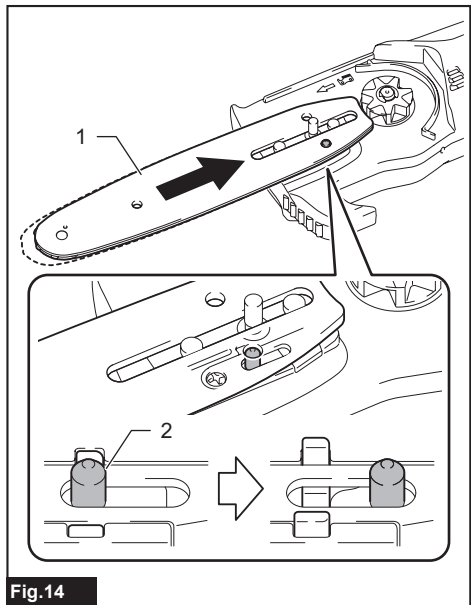


Fig.14

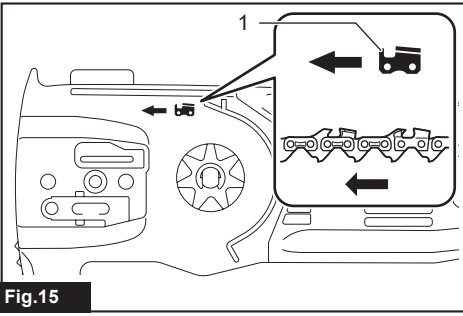


Fig. 15

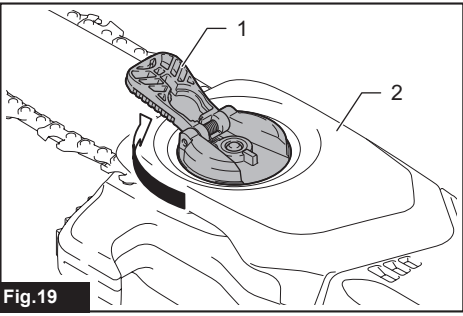


Fig. 19

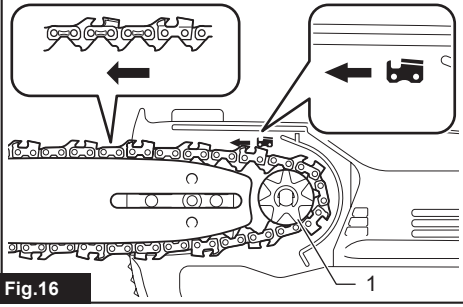


Fig. 16

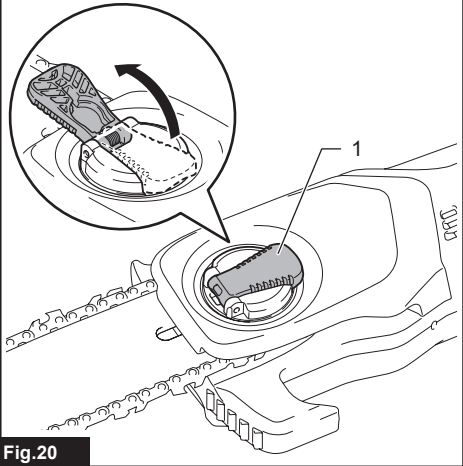


Fig. 20

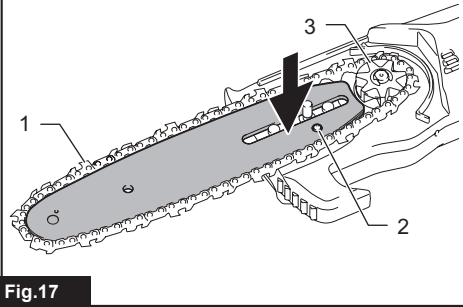


Fig. 17

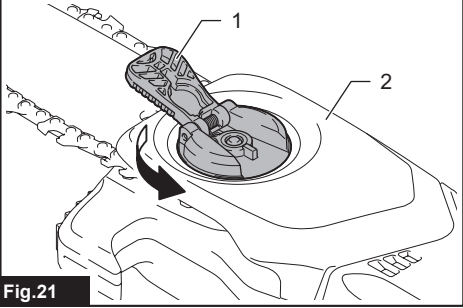


Fig. 21

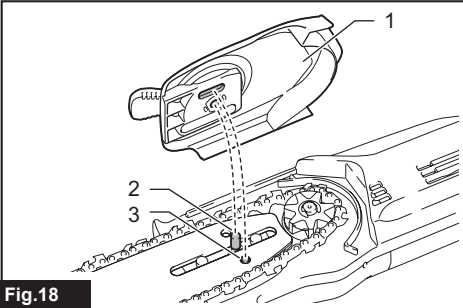


Fig. 18

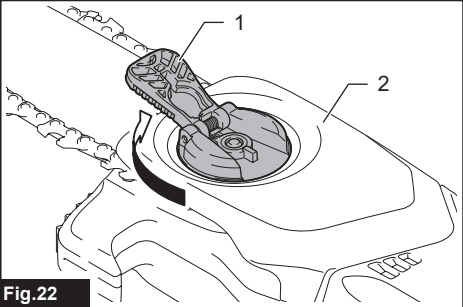


Fig. 22

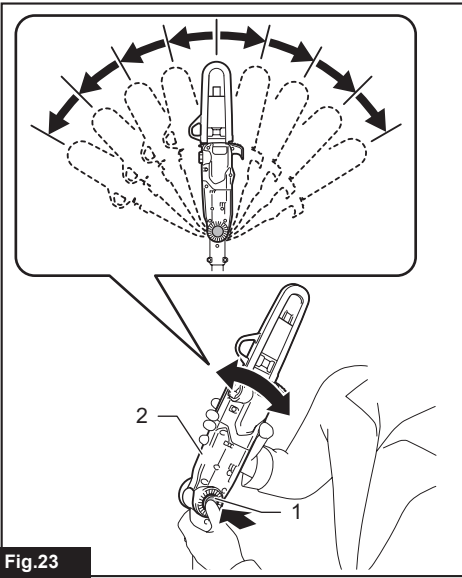


Fig.23

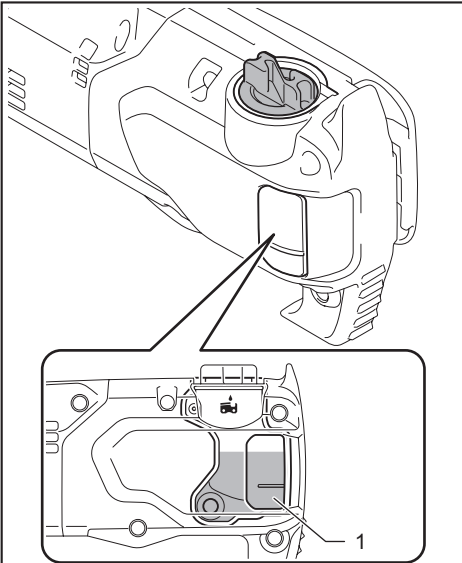


Fig.24

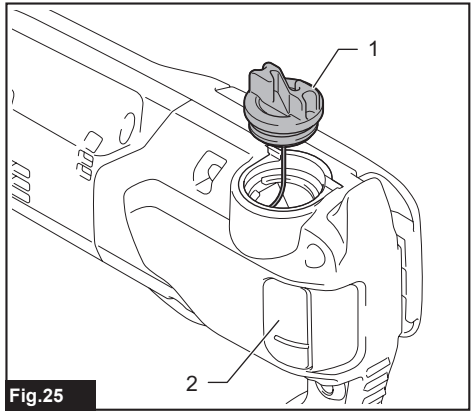


Fig.25

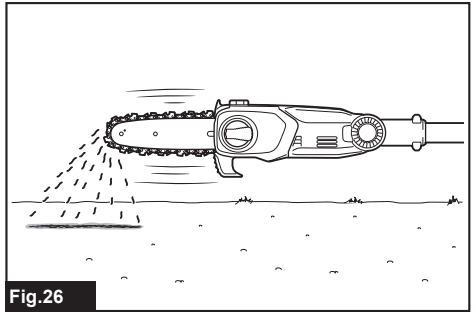


Fig.26

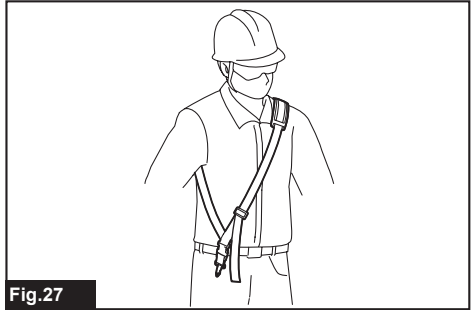


Fig.27

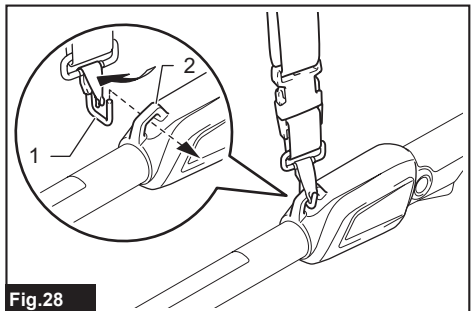


Fig.28

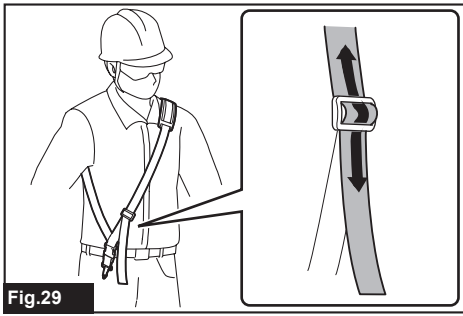


Fig.29

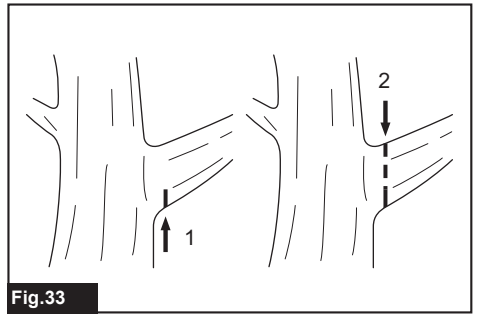


Fig.33

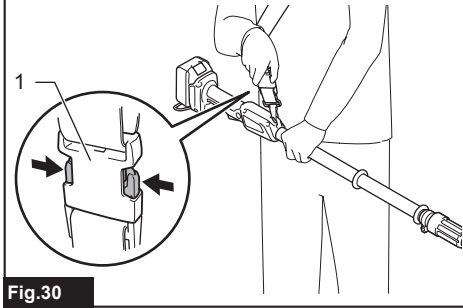


Fig.30

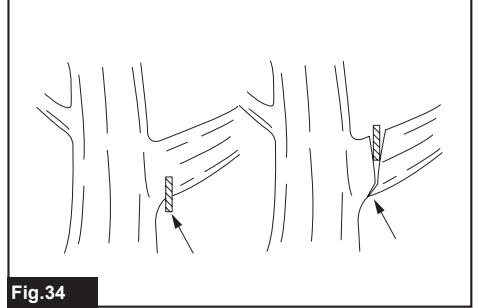


Fig.34

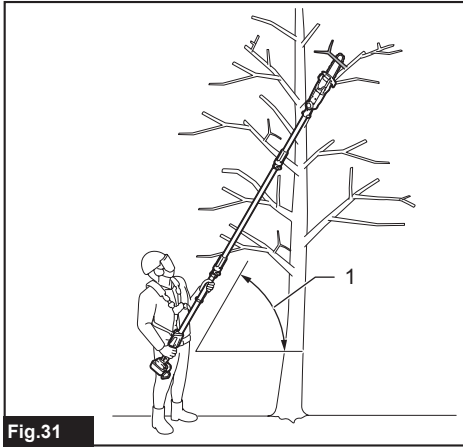


Fig.31

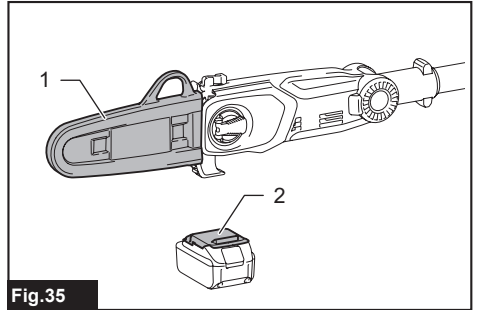


Fig.35

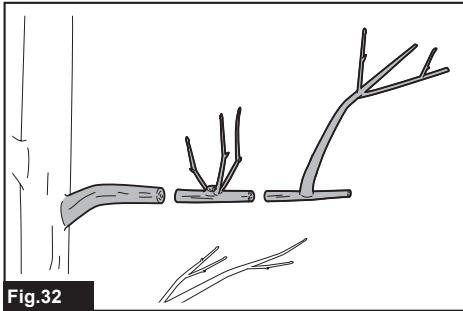


Fig.32

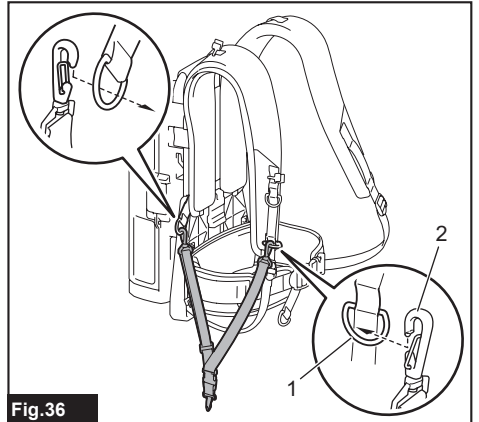


Fig.36

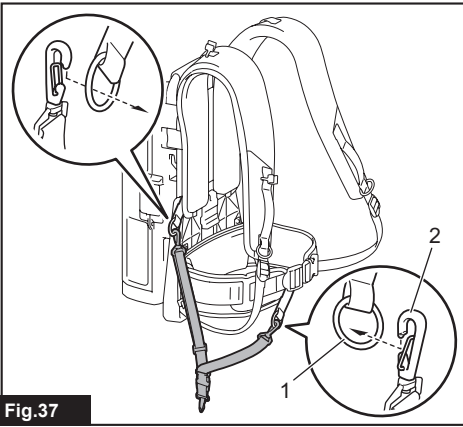


Fig.37

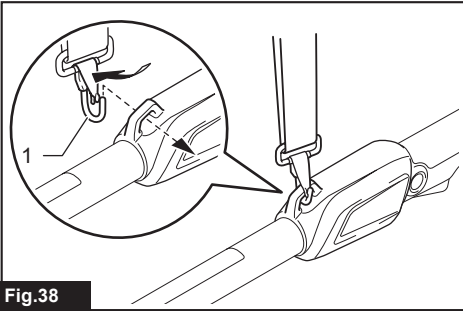


Fig.38

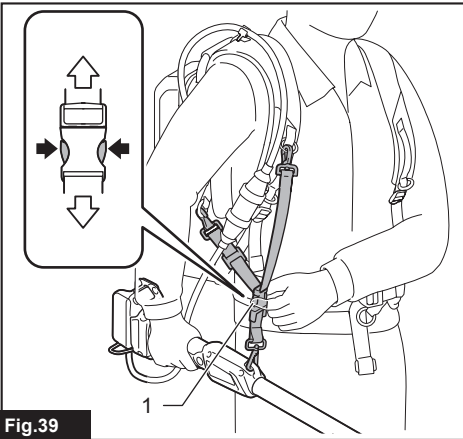


Fig.39

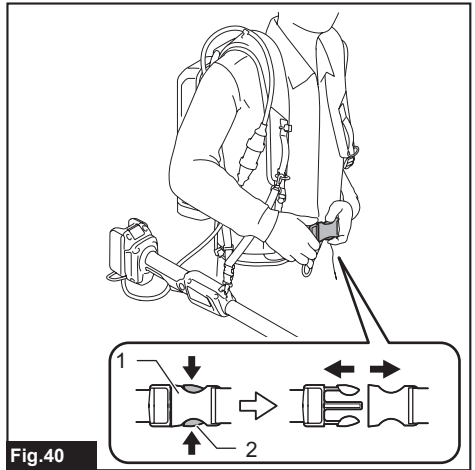


Fig.40

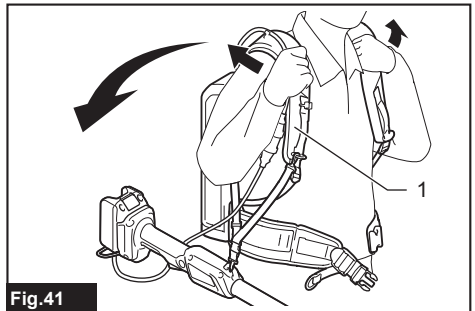


Fig.41

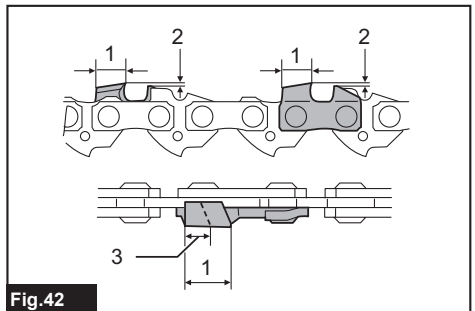


Fig.42

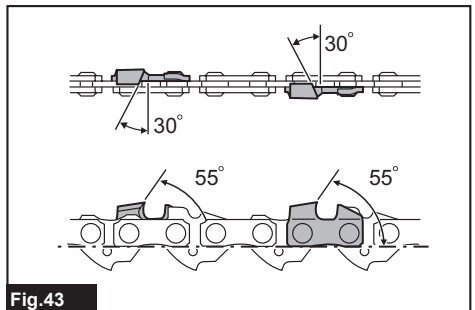
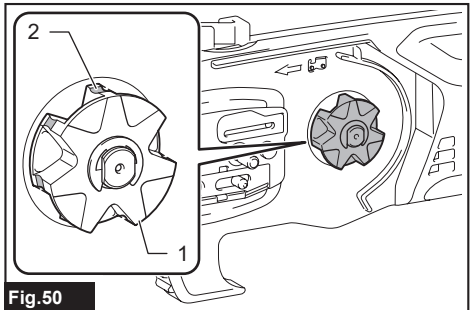
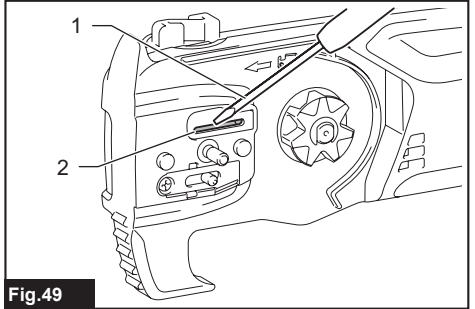
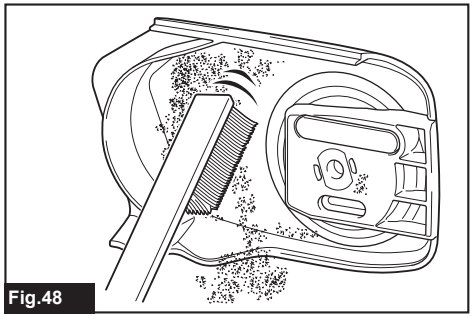
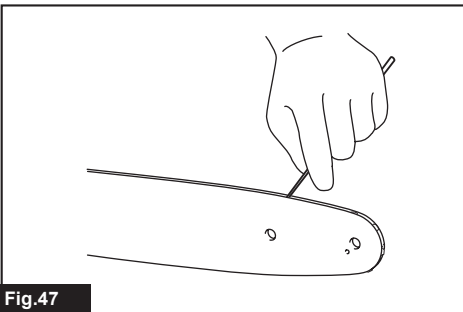
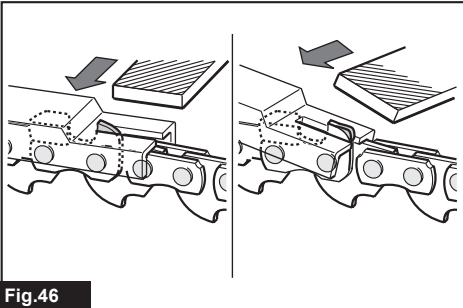
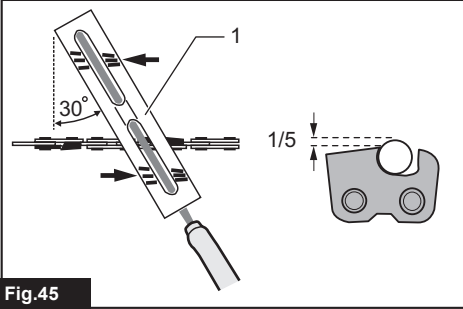
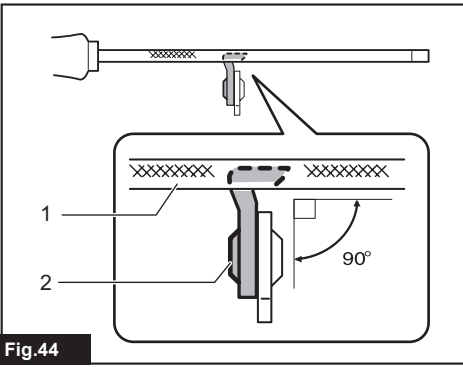


Fig.43



SPECIFICATIONS

Model:		DUA200
Overall length (without guide bar and attachment)		1620 mm / 2520 mm
Rated voltage		D.C. 18 V
Net weight	*1	3.2 kg
	*2	3.2 - 3.5 kg
Standard guide bar length		200 mm
Recommended guide bar length	with 80TXL	200 mm
Applicable saw chain type (refer to the table below)		80TXL
Standard sprocket	Number of teeth	7
	Pitch	0.325"
Chain speed		6.7 m/s (402 m/min)
Chain oil tank volume		55 cm ³

- Due to our continuing program of research and development, the specifications herein are subject to change without notice.
- Specifications may differ from country to country.

*1: Weight, with largest battery cartridge and empty oil tank, and without guide bar, chain, shoulder harness, and attachment, according to EN ISO11680-1.

*2: The lightest and heaviest combination of weight, according to EPTA-Procedure 01/2014. The weight may differ depending on the attachment(s), including the battery cartridge.

Applicable battery cartridge and charger

Battery cartridge	BL1815N / BL1820B / BL1830B / BL1840B / BL1850B / BL1860B
Charger	DC18RC / DC18RD / DC18RE / DC18SD / DC18SE / DC18SF / DC18SH / DC18WC

- Some of the battery cartridges and chargers listed above may not be available depending on your region of residence.

⚠WARNING: Only use the battery cartridges and chargers listed above. Use of any other battery cartridges and chargers may cause injury and/or fire.

Recommended cord connected power source

Portable power pack	PDC01
---------------------	-------

- The cord connected power source(s) listed above may not be available depending on your region of residence.
- Before using the cord connected power source, read instruction and cautionary markings on them.












Saw chain, guide bar, and sprocket combination

Saw chain type		80TXL
Number of drive links		38
Guide bar	Guide bar length	200 mm
	Cutting length	185 mm
	Pitch	0.325"
	Gauge	1.1 mm
	Type	Sprocket nose bar
Sprocket	Number of teeth	7
	Pitch	0.325"

WARNING: Use appropriate combination of the guide bar and saw chain. Otherwise personal injury may result.

Symbols

The followings show the symbols which may be used for the equipment. Be sure that you understand their meaning before use.

	Do not expose to moisture.
	Read instruction manual.
	Wear a helmet, goggles and ear protection.
	Wear protective gloves.
	Wear sturdy boots with nonslip soles. Steeltoed safety boots are recommended.
	Beware of electrical lines, risk of electrical shock.
	Keep distance at least 15 m.
	Maximum permissible cut length
	Direction of chain travel
	Chain oil tank
	<p>Only for EU countries Due to the presence of hazardous components in the equipment, waste electrical and electronic equipment, accumulators and batteries may have a negative impact on the environment and human health. Do not dispose of electrical and electronic appliances or batteries with household waste! In accordance with the European Directive on waste electrical and electronic equipment and on accumulators and batteries and waste accumulators and batteries, as well as their adaptation to national law, waste electrical equipment, batteries and accumulators should be stored separately and delivered to a separate collection point for municipal waste, operating in accordance with the regulations on environmental protection. This is indicated by the symbol of the crossed-out wheeled bin placed on the equipment.</p>



Guaranteed sound power level according to EU Outdoor Noise Directive.



Sound power level according to Australia NSW Noise Control Regulation.

Intended use

The tool is intended for pruning branches and limbs.

Noise

The typical A-weighted noise level determined according to ISO22868(ISO11680-1):
 Sound pressure level (L_{pA}) : 79 dB (A)
 Sound power level (L_{WA}) : 87 dB (A)
 Uncertainty (K) : 3 dB (A)

NOTE: The declared noise emission value(s) has been measured in accordance with a standard test method and may be used for comparing one tool with another.

NOTE: The declared noise emission value(s) may also be used in a preliminary assessment of exposure.

WARNING: Wear ear protection.

WARNING: The noise emission during actual use of the power tool can differ from the declared value(s) depending on the ways in which the tool is used especially what kind of workpiece is processed.

WARNING: Be sure to identify safety measures to protect the operator that are based on an estimation of exposure in the actual conditions of use (taking account of all parts of the operating cycle such as the times when the tool is switched off and when it is running idle in addition to the trigger time).

Vibration

Left handle (Front grip)		Right handle (Rear grip)		Applicable standard
ah (m/s ²)	Uncertainty K (m/s ²)	ah (m/s ²)	Uncertainty K (m/s ²)	
2.5 or less	1.5	2.5 or less	1.5	ISO22867(ISO11680-1)

NOTE: The declared vibration total value(s) has been measured in accordance with a standard test method and may be used for comparing one tool with another.

NOTE: The declared vibration total value(s) may also be used in a preliminary assessment of exposure.

⚠WARNING: The vibration emission during actual use of the power tool can differ from the declared value(s) depending on the ways in which the tool is used especially what kind of workpiece is processed.

⚠WARNING: Be sure to identify safety measures to protect the operator that are based on an estimation of exposure in the actual conditions of use (taking account of all parts of the operating cycle such as the times when the tool is switched off and when it is running idle in addition to the trigger time).

Declarations of Conformity

For European countries only

The Declarations of conformity are included in Annex A to this instruction manual.

SAFETY WARNINGS

General power tool safety warnings

⚠WARNING Read all safety warnings, instructions, illustrations and specifications provided with this power tool. Failure to follow all instructions listed below may result in electric shock, fire and/or serious injury.

Save all warnings and instructions for future reference.

The term "power tool" in the warnings refers to your mains-operated (corded) power tool or battery-operated (cordless) power tool.

Cordless pole saw safety warnings

General precautions

1. Before starting the tool, read this instruction manual to become familiar with the handling of the tool.
2. Do not lend the tool to a person with insufficient experience or knowledge regarding handling of the tool.
3. When lending the tool, always attach this instruction manual.
4. Do not allow children or young persons under 18 years old to use the tool. Keep them away from the tool.
5. Handle the tool with the utmost care and attention.
6. Never use the tool after consuming alcohol or drugs, or if feeling tired or ill.
7. Never attempt to modify the tool.
8. Do not use the tool in bad weather conditions, especially when there is a risk of lightning. This decreases the risk of being struck by lightning.
9. National regulations may restrict of the use of the tool. Follow the regulations about handling of the tool in your country.

Personal protective equipment

1. Wear safety helmet, protective goggles and protective gloves to protect yourself from flying debris or falling objects.
2. Wear ear protection such as ear muffs to prevent hearing loss.

3. Wear proper clothing and shoes for safe operation, such as a work overall and sturdy, non-slip shoes. Do not wear loose clothing or jewelry. Loose clothes, jewelry or long hair can be caught in moving parts.
4. When handling the saw chain or adjusting the chain tension, wear protective gloves. Saw chain can cut bare hands severely.

Work area safety

1. Keep the tool at least 15 m away from electric lines and communication cables (including any branches contacting them). Touching or approaching high-voltage lines with the tool can result in death or serious injury. Watch power lines and electrical fences around the work area before starting operation.
2. Operate the tool under good visibility and day-light conditions only. Do not operate the tool in darkness or fog.
3. During operation, never stand on an unstable or slippery surface or a steep slope. During the cold season, beware of ice and snow and always ensure secure footing.
4. During operation, keep bystanders or animals at least 15 m away from the tool. Stop the tool as soon as someone approaches.
5. When working with two or more people, keep a distance of at least 15 m or more between each other, and put a supervisor.
6. Before operation, examine the work area for wire fences, walls, or other solid objects. They can damage the saw chain.

Preparation

1. Before assembling or adjusting the tool, switch off the tool and remove the battery cartridge.
2. Before handling the saw chain or adjusting the chain tension, wear protective gloves.
3. Before starting the tool, inspect the tool for damages, loose screws/nuts or improper assembly. Sharpen blunt saw chain. If the saw chain is bent or damaged, replace it. Check all control levers and switches for easy action. Clean and dry the grips.
4. Never attempt to start the tool if the tool is damaged or not fully assembled. Otherwise serious injury may result.
5. Adjust the shoulder harness to suit the operator's body size.
6. Adjust the chain tension properly. Refill the chain oil, if necessary.

Starting the tool

1. Wear the personal protective equipments before starting the tool.
2. Before starting the tool, make sure that there is no person or animal in the work area.

3. **When installing the battery cartridge, keep the saw chain and guide bar clear of your body and other object, including the ground.** The saw chain may move when starting and may cause serious injury or damage to the saw chain and/or property.
4. **Place the tool on firm ground. Maintain good balance and secure footing.**
17. **If the saw chain becomes clogged, always switch off the tool and remove the battery cartridge before cleaning.**
18. **Before cutting limbs, keep an escape area away from the falling limb. First, clear obstructions such as limbs and branches from the work area. Move all tools and goods from the escape area to another safe place.**

Operation

1. **In the event of an emergency, switch off the tool immediately.**
2. **If you notice any unusual condition (e.g. noise, vibration) during operation, switch off the tool. Do not use the tool until the cause is recognized and solved.**
3. **The saw chain continues to move for a short period after switching off the tool. Don't rush to contact the saw chain.**
4. **During operation, use the shoulder harness. Keep the tool on your right side firmly.**
5. **Hold the front grip with your left hand and the rear grip with your right hand, no matter you are right-hander or left-hander. Wrap your fingers and thumbs around the grips.**
6. **Hold the tool by insulated gripping surfaces only, because the saw chain may contact hidden wiring. A saw chain contacting a "live" wire may make exposed metal parts of the extended-reach pruner "live" and could give the operator an electric shock.**
7. **Never attempt to operate the tool with one hand. Loss of control may result in serious or fatal injury. To reduce the risk of injury, keep your hands and feet away from the saw chain.**
8. **Do not overreach. Keep proper footing and balance at all times. Watch for hidden obstacles such as tree stumps, roots and ditches to avoid stumbling. Clear fallen branches and other objects away.**
9. **Never work on a ladder or tree to avoid loss of control.**
10. **If the tool gets heavy impact or fall, check the condition before continuing work. If there is any damage or doubt, ask Makita authorized service center for the inspection and repair.**
11. **Do not touch the head of the tool. The head of the tool becomes hot during operation.**
12. **Take a rest to prevent loss of control caused by fatigue. We recommend to take a 10 to 20-minute rest every hour.**
13. **When you leave the tool, even if it is a short time, always switch off the tool and remove the battery cartridge. The running and unattended tool may be used by unauthorized person and cause serious accident.**
14. **When operating the tool, do not raise your right hand above your shoulder height.**
15. **During operation, never hit the saw chain against hard obstacles such stones and nails. Take particular care when cutting branches next to walls, wire fences or the like.**
16. **If branches get caught in the tool, always stop the tool and remove the battery cartridge. Otherwise unintentional start may cause serious injury.**
19. **Before cutting branches and limbs, check the falling direction of them, considering the condition of branches and limbs, adjoining trees, wind direction, etc. Pay full attention to the falling direction, and the rebound of the branch, which hit the ground.**
20. **Never hold the tool at an angle of more than 60°. Otherwise falling objects can hit the operator and cause serious injury. Never stand underneath the limb being cut.**
21. **Pay attention to broken or bent branches. They may bounce back in cutting, causing unexpected injury.**
22. **Before cutting limbs that you intend to cut, remove branches and leaves around them. Otherwise the saw chain may be caught by them.**
23. **To prevent the saw chain from being caught in the kerf, do not release the lever before pulling the saw chain out of the kerf.**
24. **If the saw chain is bound in the kerf, immediately stop the tool, carefully move the branch to open the kerf and release the saw chain.**
25. **Avoid kickback (rotational reactive force towards the operator). To prevent kickback, never use the guide bar nose or perform a penetrating cut. Always beware of the position of the guide bar nose.**
26. **Check the chain tension frequently. When checking or adjusting the chain tension, switch off the tool and remove the battery cartridge. If the tension is loose, tighten it.**

Vibration

1. **Exposing to excessive vibration injures blood vessels or nervous system of the operator and causes the following symptoms in the fingers, hands or wrists: "Falling asleep" (numbness), tingling, pain, stabbing sensation, or alteration of skin color or of the skin. If any of these symptoms occur, see a physician. To reduce the risk of "white finger disease", keep your hands warm during operation and well maintain the tool and accessories. For operating time, follow your local regulations or physician's advice.**

Transport

1. **Before transporting the tool, switch off the tool and remove the battery cartridge. Always fit the guide bar cover during transportation.**
2. **When transporting the tool, carry it in a horizontal position by holding the grip.**

Maintenance

1. **Have your equipment serviced by our authorized service center, always using only genuine replacement parts. Incorrect repair and poor maintenance can shorten the life of the tool and increase the risk of accidents.**

2. Before doing any maintenance or repair work or cleaning the tool, always switch off the tool and remove the battery cartridge. Wait until the tool cools down.
3. Always wear protective gloves when handling the saw chain.
4. After each use, tighten all screws and nuts, except for adjustment screws.
5. Keep the saw chain sharp. If the saw chain has become blunt and cutting performance is poor, ask Makita authorized service center to sharpen it or replace it with new one.
6. Do not attempt any maintenance or repair not described in this instruction manual. Ask Makita authorized service center for such work.
7. Always use Makita genuine spare parts and accessories only. Using parts or accessories supplied by a third party may result in the tool breakdown, property damage and/or serious injury.
2. Do not disassemble or tamper with the battery cartridge. It may result in a fire, excessive heat, or explosion.
3. If operating time has become excessively shorter, stop operating immediately. It may result in a risk of overheating, possible burns and even an explosion.
4. If electrolyte gets into your eyes, rinse them out with clear water and seek medical attention right away. It may result in loss of your eyesight.
5. Do not short the battery cartridge:
 - (1) Do not touch the terminals with any conductive material.
 - (2) Avoid storing battery cartridge in a container with other metal objects such as nails, coins, etc.
 - (3) Do not expose battery cartridge to water or rain.

A battery short can cause a large current flow, overheating, possible burns and even a breakdown.

Storage

1. Before storing the tool, perform full cleaning and maintenance. Fit the guide bar cover. Remove the battery cartridge. Drain the chain oil after the tool cools down.
2. Store the tool in a dry and high or locked location out of reach of children.
3. Do not prop the tool against something, such as a wall. Otherwise it may fall suddenly and cause an injury.
6. Do not store and use the tool and battery cartridge in locations where the temperature may reach or exceed 50 °C (122 °F).
7. Do not incinerate the battery cartridge even if it is severely damaged or is completely worn out. The battery cartridge can explode in a fire.
8. Do not nail, cut, crush, throw, drop the battery cartridge, or hit against a hard object to the battery cartridge. Such conduct may result in a fire, excessive heat, or explosion.

Electrical and battery safety

1. Do not dispose of the battery(ies) in a fire. The cell may explode. Check with local codes for possible special disposal instructions.
2. Do not open or mutilate the battery(ies). Released electrolyte is corrosive and may cause damage to the eyes or skin. It may be toxic if swallowed.
3. Do not charge battery in rain, or in wet locations.
4. Do not charge the battery outdoors.
5. Do not handle charger, including charger plug, and charger terminals with wet hands.
6. Avoid dangerous environment. Don't use the tool in damp or wet locations or expose it to rain. Water entering the tool will increase the risk of electric shock.
9. Do not use a damaged battery.
10. The contained lithium-ion batteries are subject to the Dangerous Goods Legislation requirements. For commercial transports e.g. by third parties, forwarding agents, special requirement on packaging and labeling must be observed. For preparation of the item being shipped, consulting an expert for hazardous material is required. Please also observe possibly more detailed national regulations. Tape or mask off open contacts and pack up the battery in such a manner that it cannot move around in the packaging.
11. When disposing of the battery cartridge, remove it from the tool and dispose of it in a safe place. Follow your local regulations relating to disposal of battery.
12. Use the batteries only with the products specified by Makita. Installing the batteries to non-compliant products may result in a fire, excessive heat, explosion, or leak of electrolyte.
13. If the tool is not used for a long period of time, the battery must be removed from the tool.
14. During and after use, the battery cartridge may take on heat which can cause burns or low temperature burns. Pay attention to the handling of hot battery cartridges.
15. Do not touch the terminal of the tool immediately after use as it may get hot enough to cause burns.

SAVE THESE INSTRUCTIONS.

⚠WARNING: DO NOT let comfort or familiarity with product (gained from repeated use) replace strict adherence to safety rules for the subject product. MISUSE or failure to follow the safety rules stated in this instruction manual may cause serious personal injury.

Important safety instructions for battery cartridge

1. Before using battery cartridge, read all instructions and cautionary markings on (1) battery charger, (2) battery, and (3) product using battery.

16. Do not allow chips, dust, or soil stuck into the terminals, holes, and grooves of the battery cartridge. It may cause heating, catching fire, burst and malfunction of the tool or battery cartridge, resulting in burns or personal injury.
17. Unless the tool supports the use near high-voltage electrical power lines, do not use the battery cartridge near high-voltage electrical power lines. It may result in a malfunction or breakdown of the tool or battery cartridge.
18. Keep the battery away from children.

SAVE THESE INSTRUCTIONS.

⚠ CAUTION: Only use genuine Makita batteries. Use of non-genuine Makita batteries, or batteries that have been altered, may result in the battery bursting causing fires, personal injury and damage. It will also void the Makita warranty for the Makita tool and charger.

Tips for maintaining maximum battery life

1. Charge the battery cartridge before completely discharged. Always stop tool operation and charge the battery cartridge when you notice less tool power.
2. Never recharge a fully charged battery cartridge. Overcharging shortens the battery service life.
3. Charge the battery cartridge with room temperature at 10 °C - 40 °C (50 °F - 104 °F). Let a hot battery cartridge cool down before charging it.
4. When not using the battery cartridge, remove it from the tool or the charger.
5. Charge the battery cartridge if you do not use it for a long period (more than six months).

PARTS DESCRIPTION

► Fig.1

1	Handle module	2	Center extension pole	3	Saw head module
4	Hanger	5	Lock-off button	6	Battery cartridge
7	Switch trigger	8	Rear grip	9	Saw chain
10	Guide bar	11	Oil tank cap	12	Lever
13	Head angle adjustment button	14	Guide bar cover	15	Front grip

FUNCTIONAL DESCRIPTION

⚠ CAUTION: Always be sure that the tool is switched off and the battery cartridge is removed before adjusting or checking function on the tool.

Installing or removing battery cartridge

⚠ CAUTION: Always switch off the tool before installing or removing of the battery cartridge.

⚠ CAUTION: Hold the tool and the battery cartridge firmly when installing or removing battery cartridge. Failure to hold the tool and the battery cartridge firmly may cause them to slip off your hands and result in damage to the tool and battery cartridge and a personal injury.

To install the battery cartridge, align the tongue on the battery cartridge with the groove in the housing and slip it into place. Insert it all the way until it locks in place with a little click. If you can see the red indicator as shown in the figure, it is not locked completely.

To remove the battery cartridge, slide it from the tool while sliding the button on the front of the cartridge.

► Fig.2: 1. Red indicator 2. Button 3. Battery cartridge

⚠ CAUTION: Always install the battery cartridge fully until the red indicator cannot be seen. If not, it may accidentally fall out of the tool, causing injury to you or someone around you.

⚠ CAUTION: Do not install the battery cartridge forcibly. If the cartridge does not slide in easily, it is not being inserted correctly.

Indicating the remaining battery capacity

Only for battery cartridges with the indicator

Press the check button on the battery cartridge to indicate the remaining battery capacity. The indicator lamps light up for a few seconds.

► Fig.3: 1. Indicator lamps 2. Check button

Indicator lamps			Remaining capacity
Lighted	Off	Blinking	
■	□	▧	75% to 100%
■ ■ ■ ■	□		
■ ■ ■ ■	□	□	50% to 75%
■ ■ ■ ■	□ □		25% to 50%

Indicator lamps			Remaining capacity
Lighted	Off	Blinking	
			0% to 25%
			Charge the battery.
			The battery may have malfunctioned.

NOTE: Depending on the conditions of use and the ambient temperature, the indication may differ slightly from the actual capacity.

NOTE: The first (far left) indicator lamp will blink when the battery protection system works.

Tool / battery protection system

The tool is equipped with a tool/battery protection system. This system automatically cuts off power to the motor to extend tool and battery life. The tool will automatically stop during operation if the tool or battery is placed under one of the following conditions:

Overload protection

When the battery is operated in a manner that causes it to draw an abnormally high current, the tool automatically stops. In this situation, release the switch trigger to stop and avoid the application that caused the tool to become overloaded. Then depress the lock-off button and pull the switch trigger to restart.

Overheat protection

When the tool or battery is overheated, the tool stops automatically. In this case, let the tool and battery cool before restarting the tool again.

NOTE: In a high temperature environment, overheat protection is likely to activate and stop the tool automatically.

Overdischarge protection

When the battery capacity is not enough, the tool stops automatically. In this case, remove the battery from the tool and charge the battery.

Switch action

WARNING: For your safety, this tool is equipped with lock-off button which prevents the tool from unintended starting. NEVER use the tool if it runs when you simply pull the switch trigger without pressing the lock-off button. Return the tool to our authorized service center for proper repairs BEFORE further usage.

WARNING: NEVER tape down or defeat purpose and function of lock-off button.

CAUTION: Before installing the battery cartridge into the tool, always check to see that the switch trigger actuates properly and returns to the "OFF" position when released.

NOTICE: Do not pull the switch trigger hard without pressing the lock-off button. This can cause switch breakage.

To prevent the switch trigger from being accidentally pulled, a lock-off button is provided. To start the tool, depress the lock-off button and pull the switch trigger. Release the switch trigger to stop.

► **Fig.4:** 1. Switch trigger 2. Lock-off button

Electronic function

The tool is equipped with electronic functions for easy operation.

- Electric brake
This tool is equipped with an electric brake. If the tool consistently fails to quickly stop after the switch trigger is released, have the tool serviced at a Makita service center.

ASSEMBLY

WARNING: Never connect two or more shaft extension attachments. Otherwise loss of control may cause serious injury.

CAUTION: Always be sure that the battery cartridge is removed before carrying out any work on the tool.

CAUTION: Do not touch the saw chain with bare hands. Always wear gloves when handling the saw chain.

Assembling the modules

CAUTION: When assembling the saw head module, center extension pole, and handle module, place the modules on the ground. If the module is assembled in an upright position, it may fall and hit surrounding objects or people, causing an accident or injury.

CAUTION: Always make sure that the sleeve is threaded completely. Not threading the sleeve completely may cause the assemblies to disconnect and cause personal injury.

► **Fig.5:** 1. Saw head module 2. Center extension pole 3. Handle module

1. Align the triangular marks on the modules and insert one into the other.

The tongue will fit into the groove.

► **Fig.6:** 1. Triangle mark 2. Tongue 3. Groove

2. Slide the sleeve to the threads and rotate the sleeve clockwise until it stops.

The end of the threads must be completely covered with the sleeve as shown in the figure.

► **Fig.7:** 1. Sleeve

Shortening the tool

To shorten the tool, join the saw head module and handle module directly without the center extension pole as shown in the figure.

► **Fig.8:** 1. Saw head module 2. Handle module

Removing or installing saw chain

⚠ CAUTION: The saw chain and the guide bar are still hot just after operation. Let them cool down enough before carrying out any work on the tool.

⚠ CAUTION: Carry out the procedure of installing or removing the saw chain in a clean place free from sawdust and the like.

Removing the saw chain

To remove the saw chain, perform the following steps:

1. Pull the lever up.

► **Fig.9:** 1. Lever

2. Turn the lever counterclockwise until the sprocket cover comes off.

► **Fig.10:** 1. Lever 2. Sprocket cover

3. Remove the sprocket cover then remove the saw chain and guide bar from the tool body.

Installing the saw chain

To install the saw chain, perform the following steps:

1. Pull the lever up.

► **Fig.11:** 1. Lever

2. Turn the lever counterclockwise until the sprocket cover comes off.

► **Fig.12:** 1. Lever 2. Sprocket cover

3. Remove the sprocket cover.

4. Align the hole on the guide bar with the pin on the tool body, and then place the guide bar as shown in the figure.

► **Fig.13:** 1. Guide bar 2. Hole 3. Pin

5. Slide the guide bar toward the sprocket to lock the pin.

► **Fig.14:** 1. Guide bar 2. Pin

6. Remove the guide bar from the tool body.

7. Check the direction of the saw chain. Match the direction of the saw chain with that of the mark on the tool body.

► **Fig.15:** 1. Mark on tool body

8. Fit one end of the saw chain on the top of the guide bar.

9. Fit the other end of the saw chain around the sprocket, then attach the guide bar to the tool body so that the hole on the guide bar is aligned with the pin on the body.

► **Fig.16:** 1. Sprocket

Press the guide bar against the tool body to release the pin. The saw chain tension is automatically adjusted.

► **Fig.17:** 1. Saw chain 2. Pin 3. Sprocket

10. Place the sprocket cover so that the bolt and pin on the tool body meet their counterparts on the sprocket cover.

► **Fig.18:** 1. Sprocket cover 2. Bolt 3. Pin

11. Turn the lever clockwise and tighten firmly to secure the sprocket cover, then return it to the original position.

► **Fig.19:** 1. Lever 2. Sprocket cover

Make sure that the drive link of the saw chain is securely seated on the sprocket and that the saw chain is properly seated in the rail groove of the guide bar. Make sure that the saw chain is not loose and the saw chain can be moved smoothly back and forth. If necessary, adjust the tension of the saw chain by referring to the section for adjusting saw chain tension.

Adjusting saw chain tension

⚠ CAUTION: A chain which is too loose can jump off the bar and may cause an injury or accident.

The saw chain may become loose after many hours of use. From time to time check the saw chain tension before use.

If the saw chain is loose, adjust the saw chain tension.

1. Pull the lever up.

► **Fig.20:** 1. Lever

2. Turn the lever counterclockwise a little to loosen the sprocket cover slightly. The chain tension is adjusted automatically.

► **Fig.21:** 1. Lever 2. Sprocket cover

3. Turn the lever clockwise and tighten firmly to secure the sprocket cover, then return it to the original position.

► **Fig.22:** 1. Lever 2. Sprocket cover

Adjusting the head angle

⚠ CAUTION: When adjusting the head angle, attach the guide bar cover to avoid injury.

⚠ CAUTION: Be careful not to get your fingers caught between the head and the rod.

The head can be adjusted in 9 angles. Follow these steps:

1. Hold the tool as shown in the figure, and while pressing the head angle adjustment button, adjust the head to your desired angle.

► **Fig.23:** 1. Head angle adjustment button 2. Head

2. Release the head angle adjustment button and make sure the head angle adjustment button returns to its original position.

NOTICE: If the head angle adjustment button does not return to its original position, move the head slightly until it clicks into the place.

NOTICE: Make sure the head is securely fixed before use.

OPERATION

Lubrication

NOTICE: When filling the chain oil for the first time, or refilling the tank after it has been completely emptied, add oil up to the bottom edge of the filler neck. The oil delivery may otherwise be impaired.

NOTICE: Use the saw chain oil exclusively for Makita chain saws or equivalent oil available in the market.

NOTICE: Never use oil including dust and particles or volatile oil.

NOTICE: When pruning trees, use botanical oil. Mineral oil may harm trees.

NOTICE: Before the cutting operation, make sure that the oil tank cap is tightened securely.

The Saw chain is automatically lubricated when the tool is in operation. Check the amount of remaining oil in the oil tank periodically.

► Fig.24: 1. Oil tank

To refill the tank, place the tool on a flat surface, then remove the oil tank cap by turning it. The proper amount of oil is 55 cm³. After refilling the tank, make sure that the oil tank cap is tightened securely.

► Fig.25: 1. Oil tank cap 2. Oil tank (translucent)

After refilling, hold the tool away from the tree. Start it and wait until the saw chain is adequately lubricated.

► Fig.26

Attaching the shoulder harness

CAUTION: When you use the tool in combination of the backpack-type power supply such as portable power pack, do not use the shoulder harness included in the tool package, but use the hanging band recommended by Makita.

If you put on the shoulder harness included in the tool package and the shoulder harness of the backpack-type power supply at the same time, removing the tool or backpack-type power supply is difficult in case of an emergency, and it may cause an accident or injury. For the recommended hanging band, ask Makita Authorized Service Centers.

CAUTION: Always use the shoulder harness attached to the tool. Before operation, adjust the shoulder harness according to the user size to prevent fatigue.

CAUTION: Before operation, make sure that the shoulder harness is properly attached to the hanger on the tool.

CAUTION: Before operation, make sure that the buckle of the shoulder harness is fastened firmly.

CAUTION: Always use the shoulder harness dedicated to this tool. Do not use other shoulder harnesses.

1. Wear the shoulder harness on your left shoulder.
► Fig.27

2. Clasp the hook on the shoulder harness to tool's hanger.

► Fig.28: 1. Hook 2. Hanger

3. Adjust the shoulder harness to a comfortable working position.

► Fig.29

The shoulder harness features a means of quick release.

Simply squeeze the sides of the buckle to release the tool from the shoulder harness.

► Fig.30: 1. Buckle

Working with the tool

CAUTION: Keep all parts of the body away from the saw chain when the motor is operating.

CAUTION: Hold the tool firmly with both hands when the motor is running.

CAUTION: Do not overreach. Keep proper footing and balance at all times.

CAUTION: When cutting through branches, be careful not to lose your balance due to the weight of the tool head.

CAUTION: Always keep escape route in case a cut branch falls towards the operator.

CAUTION: Never use the tip of the guide bar for cutting. Otherwise, dangerous kickback may occur, and it may result in personal injury.

NOTICE: Never toss or drop the tool.

NOTICE: Do not cover the vents of the tool.

NOTICE: Do not force the tool. Otherwise, it may damage the tool.

Stand on a stable surface, and hold the tool away from the branches so that the angle of the tool becomes 60° or less against the horizontal ground.

► Fig.31: 1. 60° or less

Start the tool, and then press the saw chain onto the branch lightly.

When cutting long branches, in order to control the drop position of cut branches, divide the branch in sections and cut the branch from the tip. Pay attention to the falling branches since they may bounce in the direction of the operator after hitting the ground.

► Fig.32

When cutting thick branches, first make a shallow undercut and then make the finish cut from the top.

► Fig.33

If you try to cut off thick branches from the bottom, the branch may close in and pinch the saw chain in the cut. If you try to cut off thick branches from the top without a shallow undercut, the branch may splinter.

► Fig.34

Carrying tool

Before carrying the tool, always remove the battery cartridges from the tool, and then attach the guide bar cover. Also cover the battery cartridge with the battery cover. Do not touch the switch trigger when carrying the tool.

► **Fig.35:** 1. Guide bar cover 2. Battery cover

Using the tool with portable power pack

Optional accessory

Use the hanging band when you use the tool with portable power pack.

Attaching the hanging band

1. Attach the hooks of the hanging band to the rings of the shoulder harness or waist belt as shown in the figure. Select the type of band and the connecting method appropriate for your usage.

► **Fig.36:** 1. Ring 2. Hook

► **Fig.37:** 1. Ring 2. Hook

2. Attach the hook to the tool.

► **Fig.38:** 1. Hook

Detaching the tool

When setting down the tool, unlock the buckle on the hanging band with one hand while holding the tool with the other hand.

► **Fig.39:** 1. Buckle

NOTE: The buckle is not equipped depending on the type of band.

If you need to release the tool quickly, follow the steps below.

1. Push the levers on the buckle of the waist belt to unlock the buckle.

► **Fig.40:** 1. Buckle 2. Lever

2. Take off the shoulder harness to release the tool and the unit.

► **Fig.41:** 1. Shoulder harness

MAINTENANCE

CAUTION: Always be sure that the tool is switched off and the battery cartridge is removed before attempting to perform inspection or maintenance.

CAUTION: Always wear gloves when performing any inspection or maintenance.

NOTICE: Never use gasoline, benzene, thinner, alcohol or the like. Discoloration, deformation or cracks may result.

To maintain product SAFETY and RELIABILITY, repairs, any other maintenance or adjustment should be performed by Makita Authorized or Factory Service Centers, always using Makita replacement parts.

Sharpening the saw chain

Sharpen the saw chain when:

- Mealy sawdust is produced when damp wood is cut;
- The chain penetrates the wood with difficulty, even when heavy pressure is applied;
- The cutting edge is obviously damaged;
- The saw pulls to the left or right in the wood. (caused by uneven sharpening of the saw chain or damage to one side only)

Sharpen the saw chain frequently but a little each time. Two or three strokes with a file are usually sufficient for routine resharpener. When the saw chain has been resharpened several times, have it sharpened in our authorized service center.

Sharpening criteria:

WARNING: An excessive distance between the cutting edge and depth gauge increases the risk of kickback.

► **Fig.42:** 1. Cutter length 2. Distance between cutting edge and depth gauge 3. Minimum cutter length (3 mm)

- All cutter length must be equal. Different cutter lengths prevent the saw chain from running smoothly and may cause the saw chain to break.
- Do not sharpen the chain when the cutter length has reached 3 mm or shorter. The chain must be replaced with new one.
- The chip thickness is determined by the distance between the depth gauge (round nose) and the cutting edge.
- The best cutting results are obtained with following distance between cutting edge and depth gauge.
 - Chain blade 80TXL : 0.65 mm

► **Fig.43**

- The sharpening angle of 30° must be the same on all cutters. Different cutter angles cause the chain to run roughly and unevenly, accelerate wear, and lead to chain breaks.
- Use a suitable round file so that the proper sharpening angle is kept against the teeth.
 - Chain blade 80TXL : 55°

File and file guiding

- Use a special round file (optional accessory) for saw chains to sharpen the chain. Normal round files are not suitable.
- Diameter of the round file for each saw chain is as follows:
 - Chain blade 80TXL : 4.0 mm
- The file should only engage the cutter on the forward stroke. Lift the file off the cutter on the return stroke.
- Sharpen the shortest cutter first. Then the length of this shortest cutter becomes the standard for all other cutters on the saw chain.
- Guide the file as shown in the figure.

► **Fig.44:** 1. File 2. Saw chain

- The file can be guided more easily if a file holder (optional accessory) is employed. The file holder has markings for the correct sharpening angle of 30° (align the markings parallel to the saw chain) and limits the depth of penetration (to 4/5 of the file diameter).
- ▶ **Fig.45:** 1. File holder
- After sharpening the chain, check the height of the depth gauge using the chain gauge tool (optional accessory).
- ▶ **Fig.46**
- Remove any projecting material, however small, with a special flat file (optional accessory).
- Round off the front of the depth gauge again.

Cleaning the guide bar

Chips and sawdust will build up in the guide bar groove. They may clog the bar groove and impair the oil flow. Clean out the chips and sawdust every time when you sharpen or replace the saw chain.

▶ **Fig.47**

Cleaning the sprocket cover

Chips and saw dust will accumulate inside of the sprocket cover. Remove the sprocket cover and saw chain from the tool then clean the chips and saw dust.

▶ **Fig.48**

Cleaning the oil discharge hole

Small dust or particles may be built up in the oil discharge hole during operation. These dust or particles may impair the oil to flow and cause an insufficient

lubrication on the whole saw chain. When a poor chain oil delivery occurs at the top of guide bar, clean the oil discharge hole as follows.

1. Remove the sprocket cover and saw chain from the tool.
2. Remove the small dust or particles using a slotted screwdriver or the like.
- ▶ **Fig.49:** 1. Slotted screwdriver 2. Oil discharge hole
3. Insert the battery cartridge into the tool. Pull the switch trigger to flow built-up dust or particles off the oil discharge hole by discharging chain oil.
4. Remove the battery cartridge from the tool. Reinstall the sprocket cover and saw chain on the tool.

Replacing the sprocket

CAUTION: A worn sprocket will damage a new saw chain. Have the sprocket replaced in this case.

Before fitting a new saw chain, check the condition of the sprocket. If the sprocket is worn or damaged, ask Makita Authorized Service Centers for replacement.

▶ **Fig.50:** 1. Sprocket 2. Areas to be worn out

Storing the tool

1. Clean the tool before storing. Remove any chips and sawdust from the tool after removing the sprocket cover.
2. After cleaning the tool, run it under no load to lubricate the saw chain and guide bar.
3. Cover the guide bar with the guide bar cover.
4. Empty the oil tank.

Instructions for periodic maintenance

To ensure long life, prevent damage and ensure the full functioning of the safety features, the following maintenance must be performed regularly. Warranty claims can be recognized only if this work is performed regularly and properly. Failure to perform the prescribed maintenance work can lead to accidents! The user of the tool must not perform maintenance work which is not described in the instruction manual. All such work must be carried out by our authorized service center.

Check item / Operating time		Before operation	Everyday	Every week	Every 3 month	Annually	Before storage
Entire tool	Inspection.	✓	-	-	-	-	-
	Cleaning.	-	✓	-	-	-	-
	Check at authorized service center.	-	-	-	-	✓	✓
Saw chain	Inspection.	✓	-	-	-	-	-
	Sharpening if necessary.	-	-	-	-	-	✓
Guide bar	Inspection.	✓	✓	-	-	-	-
	Remove from the tool.	-	-	-	-	-	✓
Chain lubrication	Check the oil feed rate.	✓	-	-	-	-	-
Switch trigger	Inspection.	✓	-	-	-	-	-

Check item / Operating time		Before operation	Everyday	Every week	Every 3 month	Annually	Before storage
Lock-off button	Inspection.	✓	-	-	-	-	-
Oil tank cap	Check tightness.	✓	-	-	-	-	-
Screws and nuts	Inspection.	-	-	✓	-	-	-

TROUBLESHOOTING

Before asking for repairs, conduct your own inspection first. If you find a problem that is not explained in the manual, do not attempt to dismantle the tool. Instead, ask Makita Authorized Service Centers, always using Makita replacement parts for repairs.

Malfunction status	Cause	Action
The tool does not start.	Battery cartridge is not installed.	Install a charged battery cartridge.
	Battery problem (low voltage).	Recharge the battery cartridges. If recharging is not effective, replace the battery cartridge.
The motor stops running after a little use.	Battery's charge level is low.	Recharge the battery cartridges. If recharging is not effective, replace the battery cartridge.
No oil on the chain.	Oil tank is empty.	Fill the oil tank.
	Oil guide groove is dirty.	Clean the groove.
The tool does not reach maximum RPM.	Battery cartridge is installed improperly.	Install the battery cartridges as described in this manual.
	Battery power is dropping.	Recharge the battery cartridge. If recharging is not effective, replace the battery cartridge.
	The drive system does not work correctly.	Ask the authorized service center in your region for repair.
Abnormal vibration: Stop the tool immediately!	Loose guide bar or saw chain.	Adjust the guide bar and saw chain tension.
	Tool malfunction.	Ask the authorized service center in your region for repair.
The saw chain cannot be installed.	The combination of saw chain and sprocket is not correct.	Use the correct combination of saw chain and sprocket by referring to the section for specifications.

OPTIONAL ACCESSORIES

CAUTION: These accessories or attachments are recommended for use with your Makita tool specified in this manual. The use of any other accessories or attachments might present a risk of injury to persons. Only use accessory or attachment for its stated purpose.

- Chain oil
- Sprocket
- Makita genuine battery and charger

WARNING: If you purchase a guide bar of different length from the standard guide bar, also purchase a suitable guide bar cover together. It must fit and fully cover the guide bar on the tool.

NOTE: Some items in the list may be included in the tool package as standard accessories. They may differ from country to country.

If you need any assistance for more details regarding these accessories, ask your local Makita Service Center.

- Saw chain
- Guide bar
- Guide bar cover
- File
- Shoulder strap

SPECIFIKATIONER

Modell:		DUA200
Total längd (utan svärd och tillbehör)		1620 mm / 2520 mm
Märkspänning		18 V likström
Nettovikt	*1	3,2 kg
	*2	3,2 – 3,5 kg
Standard svärdlängd		200 mm
Rekommenderad svärdlängd	med 80TXL	200 mm
Applicerad sågkedjetyp (se tabellen nedan)		80TXL
Standard kedjehjul	Antal tänder	7
	Delning	0,325"
Kedjehastighet		6,7 m/s (402 m/min)
Tankvolym kedjeolja		55 cm ³

- På grund av vårt pågående program för forskning och utveckling kan dessa specifikationer ändras utan föregående meddelande.
- Specifikationerna kan variera mellan olika länder.

*1: Vikt med den största batterikassetten och tom oljetank, utan svärd, kedja, axelband och tillbehör enligt EN ISO11680-1.

*2: Den lättaste och tyngsta viktcombinationen enligt EPTA-procedur 01/2014. Vikten kan variera beroende på tillbehöret/tillbehören, inklusive batterikassett.

Tillgänglig batterikassett och laddare

Batterikassett	BL1815N / BL1820B / BL1830B / BL1840B / BL1850B / BL1860B
Laddare	DC18RC / DC18RD / DC18RE / DC18SD / DC18SE / DC18SF / DC18SH / DC18WC

- Vissa av batterikassetterna och laddarna på listan ovan kanske inte finns tillgängliga i din region.

⚠ VARNING: Använd endast batterikassetter och laddare från listan ovan. Användning av andra batterikassetter och laddare kan orsaka personskada och/eller brand.

Rekommenderad sladdansluten strömkälla

Bärbart strömpaket	PDC01
--------------------	-------

- De(n) sladdanslutna strömkällan/strömkällorna på listan ovan kanske inte finns tillgängliga i din region.
- Innan du använder den sladdanslutna strömkällan ska du läsa instruktionen och varningsmärkena på den.


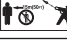


Kombination av sågkedja, svärd och kedjehjul

Sågkedjetyp		80TXL
Antal drivlänkar		38
Svärd	Svärdlängd	200 mm
	Såglängd	185 mm
	Delning	0,325"
	Spårvidd	1,1 mm
	Typ	Kuggdrev
Kedjehjul	Antal tänder	7
	Delning	0,325"

⚠ VARNING: Använd en lämplig kombination av svärd och sågkedje. I annat fall kan personskada uppstå.

Symboler

Följande visar symbolerna som kan användas för utrustningen. Se till att du förstår innebörden innan användning.

	Utsätt inte verktyget för fukt.
	Läs igenom bruksanvisningen.
	Använd hjälm, skyddsglasögon och hörselskydd.
	Använd skyddshandskar.
	Använd kraftiga stövlar med halkfria sulor. Skyddsstövlar med stålförstärkt tåhätta rekommenderas.
	Akta dig för elledningar, risk för elektrisk stöt.
	Håll ett avstånd på minst 15 m.
	Maximal tillåten kapplängd
	Kedjans rotationsriktning
	Tank kedjeolja
	Gäller endast inom EU P.g.a. förekomsten av farliga komponenter i utrustningen kan avfall innehållande elektrisk och elektronisk utrustning, ackumulatörer och batterier ha negativ inverkan på miljön och människors hälsa. Kassera inte elektriska och elektroniska apparater eller batterier ihop med hushållsavfall! I enlighet med EU-direktiven om avfall som utgörs av eller innehåller elektrisk och elektronisk utrustning och om batterier och ackumulatörer och förbrukade batterier och ackumulatörer, och dess införlivande i nationell lagstiftning, bör förbrukad elektrisk och elektronisk utrustning, batterier och ackumulatörer förvaras separat och transporteras till en särskild uppsamlingsplats för kommunalt avfall, som drivs i enlighet med regelverket för miljöskydd. Detta anges av symbolen med den överkryssade soptunnan på hjul som sitter på utrustningen.



Garanterad ljudeffektivitet enligt EU-direktivet för utomhusbuller.



Ljudeffektivitet enligt Australia NSW Noise Control Regulation (Bullerreglering)

Avsedd användning

Verktyget är avsett att beskära grenar och kvistar.

Buller

Den normala bullernivån för A-belastning är bestämd enligt ISO22868(ISO11680-1):
Ljudtrycksnivå (L_{pA}) : 79 dB (A)
Ljudeffektivitet (L_{WA}) : 87 dB (A)
Måttolerans (K): 3 dB (A)

OBS: Det deklarerade bullervärdet har uppmätts i enlighet med standardtestmetoden och kan användas för jämförandet av en maskin med en annan.

OBS: Det deklarerade bulleremissionsvärdet kan också användas i en preliminär bedömning av exponering för vibration.

⚠️ VARNING: Använd hörselskydd.

⚠️ VARNING: Bulleremissionen under faktisk användning av maskinen kan skilja sig från det deklarerade värdet, beroende på hur maskinen används och särskilt vilken typ av arbetsstycke som behandlas.

⚠️ VARNING: Var noga med att identifiera säkerhetsåtgärder för att skydda användaren, vilka är grundade på en uppskattning av graden av exponering för vibrationer under de faktiska användningsförhållandena, (ta, förutom avtryckartiden, med alla delar av användarcykeln i beräkningen, som till exempel tiden då maskinen är avstängd och när den går på tomgång).

Vibration

Vänster handtag (främre grepp)		Höger handtag (bakre grepp)		Gällande standard
ah (m/s^2)	Måttolerans K (m/s^2)	ah (m/s^2)	Måttolerans K (m/s^2)	
2,5 eller mindre	1,5	2,5 eller mindre	1,5	ISO22867(ISO11680-1)

OBS: Det deklarerade totala vibrationsvärdet har uppmätts i enlighet med standardtestmetoden och kan användas för jämförandet av en maskin med en annan.

OBS: Det deklarerade totala vibrationsvärdet kan också användas i en preliminär bedömning av exponering för vibration.

⚠ VARNING: Vibrationsemissionen under faktisk användning av maskinen kan skilja sig från det deklarerade värdet, beroende på hur maskinen används och särskilt vilken typ av arbetsstycke som behandlas.

⚠ VARNING: Var noga med att identifiera säkerhetsåtgärder för att skydda användaren, vilka är grundade på en uppskattning av graden av exponering för vibrationer under de faktiska användningsförhållandena, (ta, förutom avtryckartiden, med alla delar av användarcykeln i beräkningen, som till exempel tiden då maskinen är avstängd och när den går på tomgång).

Försäkran om överensstämmelse

Gäller endast inom EU

Försäkran om överensstämmelse ingår i bilaga A till denna bruksanvisning.

SÄKERHETSVARNINGAR

Allmänna säkerhetsvarningar för maskiner

⚠ VARNING Läs alla säkerhetsvarningar, instruktioner, illustrationer och specifikationer som medföljer detta elverktyg. Underlåtenhet att följa alla instruktioner nedan kan leda till elstötar, brand och/eller allvarliga personskador.

Spara alla varningar och instruktioner för framtida referens.

Termen "maskin" som anges i varningarna hänvisar till din eldrivna maskin (sladdansluten) eller batteridrivna maskin (sladdlös).

Säkerhetsvarningar för batteridrivna stamkvistare

Allmänna försiktighetsåtgärder

1. Läs igenom denna bruksanvisning för att bli förtrogen med hanteringen av verktyget innan du börjar använda det.
2. Låna inte ut tillbehöret till en person som inte har tillräcklig erfarenhet eller kunskap om hanteringen av verktyget.
3. Lämna alltid över denna bruksanvisning när du lånar ut verktyget.
4. Låt inte barn eller ungdomar under 18 år använda verktyget. Håll den borta från verktyget.
5. Hantera verktyget med största försiktighet och uppmärksamhet.
6. Använd aldrig verktyget efter intag av alkohol eller droger, eller om du känner dig trött eller sjuk.
7. Försök aldrig modifiera verktyget.
8. Använd inte verktyget vid dåliga väderförhållanden, speciellt inte vid risk för åska. Då minskar risken att bli träffad av blixten.
9. Nationella bestämmelser kan begränsa användningen av verktyget. Följ föreskrifterna om hantering av verktyget i ditt land.

Personlig skyddsutrustning

1. Bär skyddshjälm, skyddsglasögon och skyddshandskar för att skydda dig mot flygande material eller fallande föremål.

2. Bär hörselskydd, såsom hörselkåpor för att undvika hörselskador.
3. Bär lämpliga kläder och skor för säker användning, som till exempel arbetsoverall och kraftiga skor med halkfri sula. Bär inte löst sittande kläder eller smycken. Löst sittande kläder, smycken eller långt hår kan fastna i de rörliga delarna.
4. Bär skyddshandskar när du hanterar sågkedjan eller justerar kedjespänningen. Sågkedjan kan allvarligt skära oskyddade händer.

Säkerhet på arbetsplatsen

1. Håll verktyget minst 15 m från elektriska ledningar och kommunikationskablar (inklusive alla grenar som kommer i kontakt med dem). Om du vidrör eller närmar dig högspänningsledningar med verktyget kan det leda till död eller allvarliga skador. Kontrollera elledningarna och elstängsel runt om arbetsområdet innan du börjar klippa.
2. Använd verktyget endast under goda ljusförhållanden och i dagsljus. Arbeta inte med verktyget i mörker eller dimma.
3. Stå aldrig på ett instabilt eller halt underlag eller i en sluttning under användningen. Var observant på is och snö under vintersäsongen och se till att du alltid står stadigt.
4. Håll åskådare och djur på minst 15 m avstånd från verktyget under användningen. Stanna verktyget så fort någon närmar sig.
5. Håll ett avstånd på minst 15 m eller mer mellan varandra när du arbetar med två eller flera personer och ha en handledare.
6. Undersök arbetsområdet före användningen så att det inte finns stängsel, murar eller andra fasta föremål. De kan skada sågkedjan.

Förberedelse

1. Före montering eller justering av verktyget, stänger du av verktyget och avlägsnar batterikassetten.
2. Ta på dig skyddshandskar innan du hanterar sågkedjan eller justerar kedjespänningen.
3. Innan du startar verktyget ska du kontrollera att verktyget inte är skadat, har lösa skruvar/muttrar eller är felaktigt monterat. Slipa trubbig sågkedja. Om sågkedjan är böjd eller skadat ska den bytas ut. Kontrollera att alla kontrollspakar och brytare fungerar korrekt. Rengör och torka handtagen.
4. Försök aldrig att starta verktyget om verktyget är skadat eller inte fullständigt monterat. Det kan i så fall leda till allvarliga personskador.
5. Justera axelbandet så att de passar operatörens storlek.
6. Justera kedjespänningen ordentligt. Fyll på kedjeolja vid behov.

Starta verktyget

1. Bär personlig skyddsutrustning innan du startar verktyget.
2. Innan du startar verktyget, kontrollera att det inte finns någon person eller något djur inom arbetsområdet.
3. Håll sågkedjan och svärdet borta från kroppen och andra föremål, inklusive marken, när du sätter i batterikassetten. Sågkedjan kan rotera vid start och orsaka allvarliga personskador eller skada sågkedjan och/eller egendom.
4. Placera verktyget på ett stabilt underlag. Håll god balans och stå stabilt.

Användning

1. Stäng genast av verktyget i ett nödläge.
2. Stäng av verktyget om du känner att något är fel (t.ex. buller, vibrationer) under arbetet. Använd inte verktyget innan du vet orsaken till felet och åtgärdat det.
3. Sågkedjan fortsätter att röra sig under en kort period efter att verktyget har stängts av. Ha inte bråttom med att röra vid sågkedjan.
4. Använd axelbandet när du arbetar. Håll verktyget stadigt på din högra sida.
5. Håll i det främre handtaget med din vänstra hand och i det bakre handtaget med din högra hand, oavsett om du är vänster- eller högerhänt. Stäng fingrarna och tummen runt handtagen.
6. Håll endast verktyget i de isolerade handtagen om det finns risk för att sågkedjan kan komma i kontakt med en dold elkabel. Om sågkedjan kommer i kontakt med en strömförande ledning, gör detta att metalldelar blir strömförande och kan ge operatören en elektrisk stöt.
7. Försök aldrig att använda verktyget med en hand. Om du tappar kontrollen kan det leda till allvarliga eller dödliga skador. Minska risken för skador genom att hålla händer och fötter borta från sågkedjan.
8. Översträck inte. Stå alltid stabilt och ha god balans hela tiden. Se upp för dolda hinder såsom stubbar, rötter och diken för att undvika att snubbla. Rensa bort nedfallna grenar och andra föremål.
9. Stå aldrig och arbeta på en stega eller i ett träd för att undvika att tappa kontrollen.
10. Kontrollera verktyget innan du fortsätter att arbeta igen om den slagit emot något hårt eller ramlat ned. Om det finns någon skada eller tveksamhet kontaktar du Makitas auktoriserade servicecenter för kontroll och reparation.
11. Rör inte verktygets huvud. Verktygets huvud blir varmt under användning.
12. Ta en paus för att förebygga trötthet och förloard kontroll. Vi rekommenderar en paus på 10 till 20 minuter varje timme.
13. Stäng alltid av verktyget och avlägsna batterikassetten när du lämnar verktyget, även om det bara är för en kort stund. Ett obehövligt verktyg i drift kan användas av obehörig person och orsaka allvarliga olyckor.
14. När du manövrerat verktyget ska du inte höja din högra hand över axelhöjden.

15. Kom aldrig i kontakt med sågkedjan emot hårda föremål som stenar och spikar vid användning. Var särskilt försiktig när du klipper grenar bredvid väggar, stängsel eller liknande.
16. Om grenar fastnar i verktyget ska du alltid stoppa verktyget och ta bort batterikassetten. Annars kan oavsiktlig start kan leda till personskada.
17. Om sågkedjan blir igensatt, stäng alltid av verktyget och ta bort batterikassetten innan rengöring.
18. Innan du skär i kvistar ska du hålla ett flyktområde bort från fallande kvistar. Först, ta bort kvistar och grenar från arbetsområdet. Flytta alla verktyg och saker från flyktområdet till en annan säker plats.
19. Innan du klipper grenar och kvistar, kontrollera riktningen på det som faller, med tanke på grenarnas och kvistarnas status, angränsande träd, vindriktning osv. Var uppmärksam på fallriktningen om grenen studsar tillbaka när den stöter på marken.
20. Håll aldrig verktyget i en vinkel på mer än 60°. Annars kan fallande föremål träffa operatören och orsaka allvarliga skador. Stå aldrig under den kvist som skärs.
21. Var uppmärksam på trasiga eller böjda grenar. De kan studsas tillbaka i vid kapningen och orsaka oväntade skador.
22. Innan du kapar de grenar och kvistar som du tänker kapa, ska du ta bort grenar och blad runt dem. Annars kan sågkedjan fastna i dem.
23. För att förhindra sågkedjan att fångas i sågspåret, släpp inte spaken innan du drar sågkedjan ut ur sågspåret.
24. Om sågkedjan sitter fast i sågspåret, stoppa omedelbart verktyget, flytta försiktigt grenen för att öppna sågspåret och lossa sågkedjan.
25. Undvik bakåtkast (roterande reaktiv kraft mot operatören). För att förhindra bakåtkast, använd aldrig svärdets spets eller utför en penetrerande kapning. Var alltid uppmärksam på positionen på svärdets spets.
26. Kontrollera kedjesträckningen regelbundet. När du kontrollerar eller justerar kedjespänningen, stäng av verktyget och ta bort batterikassetten. Om spänningen är lös, dra åt den.

Vibration

1. Exponering mot överdrivna vibrationer kan skada användarens blodkärl eller nervsystem och orsakar följande symptom i fingrarna, händerna och handlederna: "Domningar" (stumhet), darrningar, smärtor, stickningar, färgförändringar i huden och hudförändringar. Uppsök läkare om du drabbats av något av dessa symptom. För att undvika risken för "vita fingrar" ska du hålla händerna varma under användningen och underhålla verktyget och tillbehören noggrant. Följ dina lokala föreskrifter eller läkares råd för drifttid.

Transportering

1. Innan du transporterar verktyget ska du stänga av verktyget och ta bort batterikassetten. Sätt alltid på svärdskyddet vid transport.
2. Bär verktyget i horisontalt läge genom att hålla i handtaget när du transporterar det.

Underhåll

1. Se till att din utrustning servas på vårt auktoriserade servicecenter där endast originalreservdelar används. Felaktig reparation och dåligt underhåll kan förkorta verktygets livslängd och öka risken för olyckor.
2. Innan du utför något underhåll, reparationsarbeten eller rengöring av verktyget du alltid stänga av verktyget och avlägsna batterikassetten. Vänta tills verktyget har svalnat.
3. Bär alltid skyddshandskar när du hanterar sågkedjan.
4. Dra åt alla skruvar och muttrar utom justerskruvarna efter varje användning.
5. Håll sågkedjan vass. Om sågkedjan blivit slö och klippstandan är låg kan du be Makitas auktoriserade servicecenter att slipa den eller byta ut den mot en ny kedja.
6. Utför inget underhåll eller reparationer som inte finns beskrivna i denna bruksanvisning. Be Makitas auktoriserade servicecenter att utföra sådant arbete.
7. Använd endast originalreservdelar och tillbehör från Makita. Om delar eller tillbehör från en tredje part används kan det resultera i att verktyget går sönder, egendomsskador och/eller allvarliga personskador.

Förvaring

1. Utför helrengöring och underhåll på verktyget innan det tas i förvar. Fäst svärdskyddet. Ta bort batterikassetten. Töm kedjeoljan efter att verktyget har svalnat.
2. Förvara verktyget på en torr, hög eller låst plats utom räckhåll för barn.
3. Luta inte verktyget mot något, såsom en vägg. Det kan plötsligt falla ned och orsaka personskador.

EI- och batterisäkerhet

1. **Släng inte batteriet/batterierna i öppen eld.** Cellen kan explodera. Kontrollera de lokala reglerna för att se eventuell särskild avfallshantering.
2. **Öppna inte eller förstör batteriet/batterierna.** Elektrolyt som kommer ut är frätande och kan ge ögon- eller hudskador. Det kan vara giftigt vid förtäring.
3. **Ladda inte batteriet i regn eller i fuktiga eller våta utrymmen.**
4. **Ladda inte batteriet utomhus.**
5. **Hantera inte laddaren, däribland laddarstickproppen, och laddarens kopplingar med våta händer.**
6. **Undvik farliga miljöer.** Använd inte maskinen på fuktiga eller blöta platser, och utsätt den heller inte för regn. Vatten som kommer in i maskinen ökar risken för elektriska stötar.

SPARA DESSA ANVISNINGAR.

⚠️ VARNING: GLÖM INTE att också fortsättningsvis strikt följa säkerhetsanvisningarna för maskinen även efter att du blivit van att använda den. Vid **FELAKTIG HANTERING** av maskinen eller om inte säkerhetsanvisningarna i denna bruksanvisning följs kan följden bli allvarliga personskador.

Viktiga säkerhetsanvisningar för batterikassetten

1. Innan batterikassetten används ska alla instruktioner och varningsmärken på (1) batteriladdaren, (2) batteriet och (3) produkten läsas.
2. **Montera inte isär eller mixtra med batterikassetten.** Det kan leda till brand, överdriven värme eller explosion.
3. **Om drifttiden blivit avsevärt kortare ska användningen avbrytas omedelbart.** Det kan uppstå överhettning, brännskador och t o m en explosion.
4. **Om du får elektrolyt i ögonen ska de sköljas med rent vatten och läkare uppsökas omedelbart.** Det finns risk för att synen förloras.
5. **Kortslut inte batterikassetten.**
 - (1) Rör inte vid polerna med något strömförande material.
 - (2) Undvik att förvara batterikassetten tillsammans med andra metallobjekt som t.ex. spikar, mynt o.s.v.
 - (3) Skydda batteriet mot vatten och regn. En batterikortslutning kan orsaka ett stort strömflöde, överhettning, brand och maskinhaveri.
6. **Förvara och använd inte verktyget och batterikassetten på platser där temperaturen kan nå eller överstiga 50 °C.**
7. **Bränn inte upp batterikassetten även om den är svårt skadad eller helt utsliten.** Batterikassetten kan explodera i öppen eld.
8. **Spika inte i, krossa, kasta, tappa eller slå batterikassetten mot hårda föremål.** Dylka handlingar kan leda till brand, överdriven värme eller explosion.
9. **Använd inte ett skadat batteri.**
10. **De medföljande litiumjonbatterierna är föremål för kraven i gällande lagstiftning för farligt gods.**

För kommersiella transporter (av t.ex. tredje parter som speditorsfirmor) måste de särskilda transportkrav som anges på emballaget och etiketter iakttas.

För att förbereda den produkt som ska avsändas krävs att du konsulterar en expert på riskmaterial. Var också uppmärksam på att det i ditt land kan finnas ytterligare föreskrifter att följa.

Tejpa över eller maskera blottade kontakter och packa batteriet på sådant sätt att det inte kan röra sig fritt i förpackningen.
11. **När batterikassetten ska kasseras måste den tas bort från maskinen och kasseras på ett säkert sätt.** Följ lokala föreskrifter beträffande avfallshantering av batteriet.

12. Använd endast batterierna med de produkter som specificerats av Makita. Att använda batterierna med ej godkända produkter kan leda till brand, överdriven värme, explosion eller utläckande elektrolyt.
13. Om maskinen inte används under en lång tid måste batteriet tas bort från maskinen.
14. Under och efter användning kan batterikassetten bli het vilket kan orsaka brännskador eller lättare brännskador. Var uppmärksam på hur du hanterar varma batterikassetter.
15. Vidrör inte verktygets kontakter direkt efter användning eftersom de kan bli heta och orsaka brännskador.
16. Låt inte flisor, damm eller smuts fastna i kontaktarna, i håll eller spår i batterikassetten. Det kan leda till att verktyget eller batterikassetten värms upp, fattar eld, går sönder eller inte fungerar som de ska, vilket kan orsaka brännskador eller personskador.
17. Såvida inte verktyget stöder arbeten i närheten av högspänningsledning får batterikassetten inte användas i närheten av en högspänningsledning. Det kan leda till att verktyget eller batterikassetten går sönder eller inte fungerar korrekt.
18. Förvara batteriet utom räckhåll för barn.

SPARA DESSA ANVISNINGAR.

⚠FÖRSIKTIGT: Använda endast äkta Makita-batterier. Användning av oäkta Makita-batterier eller batterier som har manipulerats kan leda till person- och utrustningsskador eller till att batteriet fattar eld. Det upphäver också Makitas garanti för verktyget och laddaren.

Tips för att uppnå batteriets maximala livslängd

1. Ladda batterikassetten innan den är helt urladdad. Stanna alltid maskinen och ladda batterikassetten när du märker att maskinen blir svagare.
2. Ladda aldrig en fulladdad batterikassett. Överladdning förkortar batteriets livslängd.
3. Ladda batterikassetten vid en rumstemperatur på 10 °C - 40 °C. Låt en varm batterikassett svalna innan den laddas.
4. När batterikassetten inte används ska den tas bort från verktyget eller laddaren.
5. Ladda batterikassetten om du inte har använt den på länge (mer än sex månader).

BESKRIVNING AV DELAR

► Fig.1

1	Handtagsmodul	2	Mittförlängningsstång	3	Såghuvudsmodul
4	Upphångningsanordning	5	Säkerhetsknapp	6	Batterikassett
7	Avtryckare	8	Bakre handtaget	9	Sågkedja
10	Svärd	11	Oljetanklock	12	Spak
13	Inställningsknapp för huvudets vinkel	14	Svärdskydd	15	Främre handtag

FUNKTIONSBE- SKRIVNING

⚠FÖRSIKTIGT: Se alltid till att maskinen är avstängd och batterikassetten borttagen innan du justerar maskinen eller kontrollerar dess funktioner.

Montera eller demontera batterikassetten

⚠FÖRSIKTIGT: Stäng alltid av maskinen innan du monterar eller tar bort batterikassetten.

⚠FÖRSIKTIGT: Håll stadigt i maskinen och batterikassetten när du monterar eller tar bort batterikassetten. I annat fall kan det leda till att de glider ur dina händer och orsakar skada på maskinen och batterikassetten samt personskada.

Sätt in batterikassetten genom att rikta in tungan på batterikassetten mot spåret i höljet och skjut den på plats. Tryck in batterikassetten ordentligt tills den låser fast med ett klick. Om du kan se den röda indikatorn som bilden visar är den inte låst ordentligt.

Ta bort batterikassetten genom att skjuta ner knappen på kassetten framsida samtidigt som du drar ut batterikassetten.

► Fig.2: 1. Röd indikator 2. Knapp 3. Batterikassett

⚠FÖRSIKTIGT: Sätt alltid i batterikassetten helt tills den röda indikatorn inte längre syns. I annat fall kan den oväntat falla ur verktyget och skada dig eller någon annan.

⚠FÖRSIKTIGT: Montera inte batterikassetten med våld. Om kassetten inte lätt glider på plats är den felinsatt.

Indikerar kvarvarande batterikapacitet

Endast för batterikassetter med indikator

Tryck på kontrollknappen på batterikassetten för att se kvarvarande batterikapacitet. Indikatorlamporna lyser i ett par sekunder.

► **Fig. 3:** 1. Indikatorlampor 2. Kontrollknapp

Indikatorlampor			Kvarvarande kapacitet
Upplyst	Av	Blinkar	
■	□	◻	
■ ■ ■ ■			75% till 100%
■ ■ ■ □			50% till 75%
■ ■ □ □			25% till 50%
■ □ □ □			0% till 25%
◻ □ □ □			Ladda batteriet.
■ □ □ □			Batteriet kan ha skadats.
□ □ ■ ■			

OBS: Beroende på användningsförhållanden och den omgivande temperaturen kan indikationen skilja sig lätt från den faktiska batterikapaciteten.

OBS: Den första (längst till vänster) indikatorlampan kommer att blinka när batteriskyddssystemet fungerar.

Skyddssystem för maskinen/batteriet

Verktøget är utrustat med ett skyddssystem för verktyget/batteriet. Detta system bryter automatiskt strömmen till motorn för att förlänga avtryckarens och batteriets livslängd. Verktøget stoppar automatiskt under användningen om verktyget eller batteriet hamnar i en av följande situationer:

Överbelastningsskydd

När batteriet används på ett sätt som gör att det drar onormalt hög ström stoppas verktøget automatiskt. I detta läge ska du släppa avtryckaren för att avbryta och undvika arbetet som ledde till att verktøget blev överbelastad. Starta sedan om verktøget genom att först trycka in säkerhetsknappen och sedan avtryckaren.

Överhettningsskydd

När verktøget eller batteriet överhettas stoppas verktøget automatiskt. Låt i så fall verktøget och batteriet svalna innan du startar om verktøget igen.

OBS: I miljöer med höga temperaturer är det troligt att överhettningsskyddet löser ut och maskinen stoppar automatiskt.

Överurladdningsskydd

När batterikapacitet är otillräcklig stoppas verktøget automatiskt. Ta i så fall ut batteriet ur verktøget och ladda det.

Avtryckarens funktion

⚠ VARNING: Av säkerhetsskäl är verktøget är utrustat med en säkerhetsknapp som förhindrar oavsiktlig start av verktøget. Använd **ALDRIG** verktøget om det startar när du trycker in avtryckaren utan att ha tryckt in säkerhetsknappen. Returnera verktøget till vårt auktoriserade servicecenter för reparation **INNAN** du fortsätter att använda det.

⚠ VARNING: Tejpa **ALDRIG** fast säkerhetsknappen i intryckt läge, eller förhindra dess funktion på annat sätt.

⚠ FÖRSIKTIGT: Innan du sätter i batterikassetten i maskinen ska du kontrollera att avtryckaren fungerar och återgår till läget "OFF" när du släpper den.

OBSERVERA: Tryck inte in avtryckaren hårt utan att ha tryckt in säkerhetsknappen. Det kan göra att avtryckaren skadas.

Det finns en säkerhetsknapp som förhindrar att avtryckaren oavsiktligt aktiveras. Starta verktøget genom att först trycka in säkerhetsknappen och sedan avtryckaren. Släpp avtryckaren för att stoppa.

► **Fig. 4:** 1. Avtryckare 2. Säkerhetsknapp

Elektronisk funktion

Maskinen är utrustad med elektroniska funktioner för enkel användning.

- Elektrisk broms
Detta verktøg är försett med en elektrisk broms. Om verktøget inte stannar snabbt efter att avtryckaren släppts måste verktøget servas på ett Makita servicecenter.

MONTERING

⚠ VARNING: Anslut aldrig två eller flera skaff-förlängningstillsatser. Annars kan förlust av kontroll leda till allvarlig personskada.

⚠ FÖRSIKTIGT: Se alltid till att ta batterikassetten har tagits bort innan någon form av arbete utförs på verktøget.

⚠ FÖRSIKTIGT: Rör inte vid sågkedjan med bara händer. Bär alltid handskar när du hanterar sågkedjan.

Montera modulerna

⚠ FÖRSIKTIGT: Placera modulerna på marken när du monterar såghuvudsmodulen, mittförlängningsstängan och handtagsmodulen. Om modulen monteras i upprätt läge kan den tippa och träffa föremål eller personer i omgivningen och orsaka en olycka eller personskada.

⚠ FÖRSIKTIGT: Se alltid till att hylsan är helt påskruvad. Om hylsan inte skruvas på ordentligt kan de leda till att enheterna lossnar och orsaka personskada.

► **Fig.5:** 1. Såghuvudsmodul 2. Mittförlängningsstäng 3. Handtagsmodul

1. Rikta in triangelmärkena på modulerna och för in en modul i den andra.

Tungorna kommer att passa in i skåran.

► **Fig.6:** 1. Triangelmärke 2. Tunga 3. Skåra

2. Skjut på hylsan på gängorna och rotera hylsan medurs tills det tar emot.

Änden av gängorna måste täckas helt av hylsan enligt figuren.

► **Fig.7:** 1. Hylsa

Korta av verktyget

Korta av verktyget genom att montera såghuvudsmodulen direkt på handtagsmodulen utan att använda mittförlängningsmodulen enligt figuren.

► **Fig.8:** 1. Såghuvudsmodul 2. Handtagsmodul

Ta bort eller montera sågkedjan

⚠ FÖRSIKTIGT: Sågkedjan och svärdet är fortfarande varma direkt efter användning. Låt dem svalna tillräckligt innan du utför något arbete på maskinen.

⚠ FÖRSIKTIGT: Montera eller ta bort kedjan på en ren plats fri från sågdamm och liknande.

Ta bort sågkedjan

Utför följande steg för att ta bort sågkedjan:

1. Dra upp spaken.

► **Fig.9:** 1. Spärr

2. Vrid spaken moturs tills kedjedrevskåpan kan tas av.

► **Fig.10:** 1. Spak 2. Kedjedrevskåpa

3. Ta bort kedjedrevskåpan och ta därefter bort sågkedjan och svärdet från verktygskroppen.

Montera sågkedjan

Utför följande steg för att montera sågkedjan:

1. Dra upp spaken.

► **Fig.11:** 1. Spärr

2. Vrid spaken moturs tills kedjedrevskåpan kan tas av.

► **Fig.12:** 1. Spärr 2. Kedjedrevskåpa

3. Ta bort kedjedrevskåpan.

4. Rikta in hålet på svärdet med stiftet på verktygskroppen och placera sedan svärdet enligt figuren.

► **Fig.13:** 1. Svärd 2. Hål 3. Stift

5. Skjut svärdet mot kedjehjulet för att låsa stiftet.

► **Fig.14:** 1. Svärd 2. Stift

6. Ta bort svärdet från verktygskroppen.

7. Kontrollera riktningen på sågkedjan. Ställ in sågkedjans riktning med markeringen på verktygskroppen.

► **Fig.15:** 1. Markering på verktygskropp

8. Passa in ena änden av sågkedjan på toppen av svärdet.

9. Passa in den andra änden av sågkedjan runt kedjehjulet och fäst sedan svärdet till verktygskroppen så att hålet på svärdet är inriktat med stiftet på kroppen.

► **Fig.16:** 1. Kedjehjul

Tryck svärdet mot verktygskroppen för att frigöra stiftet. Sågkedjans sträckning justeras automatiskt.

► **Fig.17:** 1. Sågkedja 2. Stift 3. Kedjehjul

10. Placera kedjedrevskåpan så att bulten och stiftet på verktygskroppen passar in med motsvarande delar på kedjedrevskåpan.

► **Fig.18:** 1. Kedjedrevskåpa 2. Bult 3. Stift

11. Vrid spaken medurs och dra åt ordentligt tills kedjedrevskåpan sitter säkert och för den därefter tillbaka dess ursprungliga läge.

► **Fig.19:** 1. Spak 2. Kedjedrevskåpa

Se till att drivlänken på sågkedjan sitter ordentligt på kedjehjulet och att sågkedjan sitter ordentligt på plats i kedjeskåran på svärdet.

Se till att sågkedjan inte lossnar och att den smidigt kan röras bakåt och framåt. Justera vid behov sågkedjans sträckning enligt avsnittet om justering av sågkedjans sträckning.

Justering av kedjesträckning

⚠ FÖRSIKTIGT: En kedja som är för lös kan hoppa ur sitt spår och orsaka personskada eller en olycka.

Kedjan kan förlora sin sträckning efter ett antal timmars användning. Kontrollera därför emellanåt kedjesträckningen innan du använder kedjesågen.

Justera sågkedjans sträckning om den är för lös.

1. Dra upp spaken.

► **Fig.20:** 1. Spärr

2. Vrid spaken lite moturs för att lossa kedjedrevskåpan något. Kedjesträckningen justeras automatiskt.

► **Fig.21:** 1. Spak 2. Kedjedrevskåpa

3. Vrid spaken medurs och dra åt ordentligt tills kedjedrevskåpan sitter säkert och för den därefter tillbaka dess ursprungliga läge.

► **Fig.22:** 1. Spak 2. Kedjedrevskåpa

Justera huvudets vinkel

⚠ FÖRSIKTIGT: Sätt på svärdskyddet för att undvika personskada när du justerar vinkeln på huvudet.

⚠ FÖRSIKTIGT: Var försiktig så att dina fingrar inte fastnar mellan huvudet och stängan.

Huvudets vinkel kan justeras i 9 vinklar. Följ stegen nedan:

1. Håll verktyget som figuren visar, och justera huvudet till önskad vinkel samtidigt som du håller inställningsknappen för huvudets vinkel intryckt.

► **Fig.23:** 1. Inställningsknapp för huvudets vinkel
2. Huvud

2. Släpp inställningsknappen för huvudets vinkel och se till att den återgår till dess ursprungliga läge.

OBSERVERA: Om inställningsknappen för huvudets vinkel inte återgår till dess ursprungliga flyttar du huvudet något tills den klickar på plats.

OBSERVERA: Se till att huvudet sitter ordentligt fast före användning.

ANVÄNDNING

Smörjning

OBSERVERA: När du fyller på kedjeolja för första gången, eller om du fyller på olja när tanken blivit helt tom, ska du fylla på olja upp till kragen på påfyllningshålet. Oljefördelningen kan annars försämrans.

OBSERVERA: Använd endast en sågkedjeolja som är avsedd för Makita:s kedjesågar eller motsvarande som finns tillgänglig i handeln.

OBSERVERA: Använd aldrig olja som innehåller damm och partiklar eller flyktig olja.

OBSERVERA: Använd botanisk olja vid beskärning av träd. Mineralolja kan skada träden.

OBSERVERA: Innan du börjar såga, kontrollera att det medföljande oljetankslocket är fastskruvat på plats.

Sågkedjan blir automatiskt smord när verktyget är i användning. Kontrollera återstående mängd olja i oljetanken vid jämna mellanrum.

► **Fig.24:** 1. Oljetank

Fyll tanken genom att placera verktyget på en plan yta och ta sedan bort oljetanklocket genom att vrida det. Korrekt mängd olja är 55 cm³. När du är klar med påfyllningen av tanken, se till att dra åt oljetanklocket ordentligt.

► **Fig.25:** 1. Oljetanklock 2. Oljetank (genomsiktig)

Håll bort verktyget från trädet efter påfyllning. Starta det och vänta tills sågkedjan har smörjts tillräckligt.

► **Fig.26**

Fästa axelbandet

⚠ FÖRSIKTIGT: När du använder verktyget i kombination med en strömförsörjning av ryggsäckstyp, t.ex. bärbart strömpaket, använd då inte det axelband som ingår i verktygspaketet använd istället det upphängningsband som rekommenderas av Makita.

Om du tar på dig axelbandet inkluderat i verktygspaketet och samtidigt, blir det svårt att ta bort verktyget eller strömförsörjningen av ryggsäckstyp i händelse av nödfall, och detta kan orsaka olycka eller skada. Fråga Makitas auktoriserade servicecenter vilket upphängningsband som rekommenderas.

⚠ FÖRSIKTIGT: Använd alltid axelbandet som sitter fast på verktyget. Justera axelbandet efter användarens storlek före användning för att förhindra utmattnings.

⚠ FÖRSIKTIGT: Se till före användning att axelbandet sitter ordentligt fast på hängaren på verktyget.

⚠ FÖRSIKTIGT: Se till före drift att spännet på axelbandet är låst.

⚠ FÖRSIKTIGT: Använd alltid det axelband som sitter fast på verktyget. Använd inte andra axelband.

1. Bär axelbandet på din vänstra axel.

► **Fig.27**

2. Spänn fast kroken på axelbanden på verktygets upphängningsanordning.

► **Fig.28:** 1. Krok 2. Upphängningsanordning

3. Justera axelbandet till en bekväm arbetsställning.

► **Fig.29**

Axelbandet har en snabbkoppling.

Tryck bara på sidorna av spännet för att lösgöra verktyget från axelbandet.

► **Fig.30:** 1. Spänne

Arbeta med verktyget

⚠ FÖRSIKTIGT: Håll bort sågkedjan från kroppen när motorn är igång.

⚠ FÖRSIKTIGT: Håll i verktyget ordentligt med båda händerna när motorn är igång.

⚠ FÖRSIKTIGT: Översträck inte. Stå alltid stabilt och ha god balans hela tiden.

⚠ FÖRSIKTIGT: Var försiktig så att du inte tappar balansen när du klipper genom grenarna på grund av vikten på verktygshuvudet.

⚠ FÖRSIKTIGT: Ha alltid en flyktväg i händelse av att en skuren gren faller ner mot föraren.

⚠ FÖRSIKTIGT: Använd aldrig spetsen på svärdet för kapning. Annars kan ett farligt bakåtkast i handtaget uppstå vilket kan leda till personskada.

OBSERVERA: Kasta eller tappa inte verktyget.

OBSERVERA: Täck inte över verktygets ventilationshål.

OBSERVERA: Tryck inte hårt med verktyget. I annat fall kan verktyget ta skada.

Stå på en stabil yta och håll verktyget borta från grenarna så att verktygets vinkel blir 60° eller mindre mot den horisontella marken.

► **Fig.31:** 1. 60° eller mindre

Starta verktyget och tryck sedan sågkedjan lätt på grenen.

När du kapar långa grenar, kontrollera fallpositionen och dela upp och kapa grenen i sektioner från spetsen och in. Var uppmärksam på de fallande grenarna eftersom de kan studsas mot operatören efter att ha träffat marken.

► **Fig.32**

Gör först ett grunt snitt underifrån och genomför sedan sågningen uppifrån vid avsågning av tjocka grenar.

► **Fig.33**

Om du försöker såga av tjocka grenar underifrån kan grenen tränga in och klämma fast sågkedjan i snittet. Om du försöker såga av tjocka grenar ovanifrån utan att först lägga ett grunt snitt underifrån kan grenen flisas.

► **Fig.34**

Bära maskinen

Innan du bär på verktyget ska du alltid ta bort batterikassetten från verktyget och sedan fästa svärdskyddet. Täck också batterikassetten med batteriskyddet. Rör inte vid avtryckaren när du bär verktyget.

► **Fig.35:** 1. Svärdskydd 2. Batterikåpa

Använda verktyget med det bärbara strömpaketet

Extra tillbehör

Använd upphängningsbandet när du använder verktyget med det bärbara strömpaketet.

Fästa upphängningsbandet

1. Fäst upphängningsbandets krokar på axelbandens eller midjebältets ringar enligt figuren. Välj den typ av band och kopplingsmetod som är lämplig för ditt användningsområde.

► **Fig.36:** 1. Ring 2. Krok

► **Fig.37:** 1. Ring 2. Krok

2. Sätt fast kroken på verktyget.

► **Fig.38:** 1. Krok

Ta loss verktyget

När du sätter ner verktyget låser du upp spännet på upphängningsbandet med en hand samtidigt som du håller verktyget med andra handen.

► **Fig.39:** 1. Spänne

OBS: Spännet finns kanske inte, beroende på typen av band.

Följ stegen nedan om du behöver släppa verktyget snabbt.

1. Tryck på spakarna på midjebältets spänne för att låsa upp det.

► **Fig.40:** 1. Spänne 2. Spak

2. Ta av axelbanden för att lossa verktyget och enheten.

► **Fig.41:** 1. Axelband

UNDERHÅLL

⚠FÖRSIKTIGT: Se alltid till att maskinen är avstängd och batterikassetten borttagen innan inspektion eller underhåll utförs.

⚠FÖRSIKTIGT: Använd alltid handskar vid kontroller och underhåll.

OBSERVERA: Använd inte bensen, förtunningsmedel, alkohol eller liknande. Missfärgning, deformation eller sprickor kan uppstå.

För att upprätthålla produktens SÄKERHET och TILLFÖRLITLIGHET bör allt underhålls- och justeringsarbete utföras av ett auktoriserat Makita servicecenter och med reservdelar från Makita.

Filning av sågkedja

Fila kedjan när:

- Du får spändamm när du sågar i fuktigt trä.
- Kedjan har svårt att såga trots att du trycker hårt med sågen.
- Skärtänderna är synbart skadade.
- Sågen drar åt vänster eller höger i träet (Orsakas av att filningen av sågkedjan har blivit ojämn eller skadad på någon av sidorna.)

Fila sågkedjan lite men ofta. Två eller tre drag med filen är oftast tillräckligt vid rutinmässig filning. Lämna sågkedjan för filning hos vårt auktoriserade servicecenter när du har filat om den många gånger.

Filningskriterier:

⚠VARNING: Ett överdrivet avstånd mellan skäret och djupmätaren ökar risken för bakåtkast.

► **Fig.42:** 1. Såglängd 2. Avstånd mellan skärlängd och djupmätaren 3. Minsta skärlängd (3 mm)

- Alla skärtänder måste vara lika långa. Olika längd på skärtänderna förhindrar att kedjesågen går jämnt och kan leda till kedjebrott.
- Slipa inte en kedja vars skärtänder har en längd som är 3 mm eller mindre. Kedjan måste bytas mot en ny.
- Spåntjockleken bestäms av avståndet mellan underställningsklacken (rund nos) och skärtanden.
- Det bästa sågresultatet uppnås med följande höjdskillnad mellan skärtand och underställningsklack.
 - Kedjebled 80TXL : 0,65 mm

► **Fig.43**

- Filningsvinkeln ska vara 30° och måste vara densamma för alla skärtänder. Skillnader i vinkel får kedjan att löpa ryckigt och ojämnt, slitaget ökar och det leder till kedjebrott på kedjan.
- Använd en lämplig rundfil så att korrekt vinkel hålls på tänderna.
 - Kedjeblad 80TXL : 55°

Fil och filningsanvisningar

- Fila kedjan med en specialrundfil (valfritt tillbehör) för sågkedjor. Använd inte standard rundfiler.
- Diametern för rundfilen för varje sågkedja är följande:
 - Kedjeblad 80TXL : 4,0 mm
- Fila endast med skjutande tag. Lyft filen från skärtanden när du för filen bakåt.
- Fila den kortaste skärtanden först. Längden för den kortaste skärtanden blir standard för alla andra skärtänder på sågkedjan.
- För filen på det sätt som framgår av figuren.

► **Fig.44:** 1. Fil 2. Sågkedja

- Det går lättare att fila om en filmall (tillbehör) används. Filmallen har markeringar för rätt filningsvinkel 30° (rikta in markeringarna parallellt med sågkedjan), och begränsar filningsdjupet (till 4/5 av fildiametern).

► **Fig.45:** 1. Filhållare

- Kontrollera höjden på underställningsklacken med hjälp av specialverktyget (tillbehör) när kedjan är färdigfilad.

► **Fig.46**

- Ta bort eventuellt utskjutande material, avsett hur litet, med en speciell plattfil (tillbehör).
- Runda av främre delen av underställningsklacken igen.

Rengöring av svärdet

Spån och damm kommer att sätta igen spåret i svärdet. De kan sätta igen spåret i svärdet och försämra oljeflödet. Rensa bort spån och damm varje gång när sågkedjan slipas eller byts ut.

► **Fig.47**

Rengöra kedjedrevskåpan

Spån och damm ackumuleras inne i kedjedrevskåpan. Ta bort kedjedrevskåpan och sågkedjan från verktyget och gör rent från spån och damm.

► **Fig.48**

Rengöring av oljematningshålet

Fint damm eller små partiklar kan byggas upp i oljematningshålet under användning. Detta damm eller små partiklar kan försämra flödet av oljematningen och orsaka otillräcklig smörjning av hela sågkedjan. När oljematningsflödet försämras på svärdspetsen ska oljematningshålet rengöras på följande sätt.

1. Ta bort kedjedrevskåpan och sågkedjan från maskinen.
2. Ta bort fint damm eller små partiklar med en spårskruvmejsel eller liknande.

► **Fig.49:** 1. Spårskruvmejsel 2. Oljematningshål
3. Sätt i batterikassetten i maskinen. Tryck in avtryckaren för att få bort damm eller partiklar som satt igen oljematningshålet genom att släppa ut kedjeolja.
4. Ta bort batterikassetten från maskinen. Sätt tillbaka kedjedrevskåpan och sågkedjan på maskinen.

Utbyte av kedjehjulet

⚠ FÖRSIKTIGT: Ett slitet kedjehjul förorsakar skador på sågkedjan. Byt ut kedjehjulet om det är slitet.

Kontrollera konditionen på kedjehjulet innan en ny sågkedja monteras. Om kedjehjulet är skadat, kontakta ett auktoriserat Makita-servicecenter för utbyte.

► **Fig.50:** 1. Kedjehjul 2. Slitna områden

Förvara verktyget

1. Rengör maskinen innan förvaring. Ta bort spån och sågdamm från maskinen efter att kedjedrevskåpan är borttagen.
2. Kör maskinen utan belastning för att smörja sågkedjan och svärdet efter rengöringen.
3. Täck över svärdet med svärdskyddet.
4. Töm oljetanken.

Instruktioner för periodiskt underhåll

För att garantera lång livslängd, förebygga skador och säkerställa att säkerhetsfunktionerna fungerar måste följande underhåll utföras regelbundet. Garanti lämnas endast om dessa arbeten utförs regelbundet och på föreskrivet sätt. Om det föreskrivna underhållet inte utförs kan allvarliga olyckor uppstå! Användaren av verktyget ska inte utföra underhållsarbeten som inte finns beskrivna i bruksanvisningen. Alla sådana arbeten ska utföras av ett auktoriserat servicecenter.

Kontrollera föremålet/ drifttiden	Före användning	Varje dag	Varje vecka	Var tredje månad	Varje år	Innan förvaring
Hela verktyget	Inspektion.	✓	-	-	-	-
	Rengöring.	-	✓	-	-	-
	Kontakta ett auktoriserat servicecenter.	-	-	-	✓	✓
Sågkedja	Inspektion.	✓	-	-	-	-
	Slipning vid behov.	-	-	-	-	✓
Svärd	Inspektion.	✓	✓	-	-	-
	Ta bort från verktyget.	-	-	-	-	✓
Kedjesmörjning	Kontrollera oljemätningshastigheten.	✓	-	-	-	-
Avtryckare	Inspektion.	✓	-	-	-	-
Säkerhetsknapp	Inspektion.	✓	-	-	-	-
Oljetanklock	Kontrollera stramhet.	✓	-	-	-	-
Skrivar och muttrar	Inspektion.	-	-	✓	-	-

FELSÖKNING

Innan du ber om reparation ska du först utföra en egen kontroll. Om du hittar ett problem som inte finns förklarat i bruksanvisningen ska du inte försöka att ta isär maskinen. Fråga istället ett auktoriserad servicecenter för Makita, och använd alltid reservdelar från Makita för reparationer.

Felstatus	Orsak	Åtgärd
Verktuget startar inte.	Batterikassetten är inte installerad.	Sätt i en laddad batterikassett.
	Batteriproblem (låg spänning).	Ladda batterikassetterna på nytt. Om laddning inte hjälper byter du ut batterikassetten.
Motorn stannar efter en kort stunds användning.	Batterinivån är låg.	Ladda batterikassetterna på nytt. Om laddning inte hjälper byter du ut batterikassetten.
Ingen olja på kedjan.	Oljetanken är tom.	Fyll på oljetanken.
	oljekanalerna är smutsiga.	Gör rent spåren.
Verktuget når inte det maximala varvtalet.	Batterikassetten är felaktigt insatt.	Sätt i batterikassetterna enligt anvisningarna i denna bruksanvisning.
	Batterinivån sjunker.	Ladda upp batterikassetten. Om laddning inte hjälper byter du ut batterikassetten.
	Drivsystelet fungerar inte som det ska.	Fråga ett auktoriserat servicecenter i din region avseende reparation.
Onormal vibration: Stoppa verktuget omedelbart!	Lossa svärdet eller kedjesågen.	Justera svärdet och kedjespänningen.
	Verktugets fel.	Fråga ett auktoriserat servicecenter i din region avseende reparation.
Sågkedjan kan inte monteras.	Kombinationen av sågkedja och kedjedrev är inte korrekt.	Använd den rätta kombinationen av sågkedja och kedjedrev med hjälp av avsnittet med specifikationer.

VALFRIA TILLBEHÖR

⚠ FÖRSIKTIGT: Följande tillbehör eller tillsatser rekommenderas för användning med den Makita-maskin som denna bruksanvisning avser. Om andra tillbehör eller tillsatser används kan det uppstå risk för personskador. Använd endast tillbehören eller tillsatserna för de syften de är avsedda för.

Kontakta ditt lokala Makita servicecenter om du behöver ytterligare information om dessa tillbehör.

- Sågkedja
- Svärd
- Svärdskydd
- Fil
- Axelrem
- Kedjeolja
- Kedjehjul
- Makitas originalbatteri och laddare

⚠ VARNING: Om du köper ett svärd med en annan längd än standardsvärd måste du även köpa ett lämpligt svärdskydd. Det måste passa och helt täcka verktugets svärd.

OBS: Några av tillbehören i listan kan vara inkluderade i maskinpaketet som standardtillbehör. De kan variera mellan olika länder.

TEKNISKE DATA

Modell:		DUA200
Samlet lengde (uten føringsstang og tilbehør)		1620 mm/2520 mm
Merkespenning		DC 18 V
Nettovekt	*1	3,2 kg
	*2	3,2–3,5 kg
Standard lengde på føringsstang		200 mm
Anbefalt lengde på føringsstang	med 80TXL	200 mm
Egnet sagkjedefype (se tabellen nedenfor)		80TXL
Standard kjedehjul	Antall tenner	7
	Vinkel	0,325"
Kjedehastighet		6,7 m/s (402 m/min)
Volum kjedeoljetank		55 cm ³

- På grunn av vårt kontinuerlige forsknings- og utviklingsprogram kan spesifikasjonene som oppgis i dette dokumentet endres uten varsel.
- Spesifikasjonene kan variere fra land til land.

*1: Vekt med det største batteriet og tom oljetank, og uten føringsstang, kjede, skuldersele og tilbehør i henhold til EN ISO11680-1.

*2: Den letteste og tyngste vektkombinasjonen i henhold til EPTA-prosedyre 01/2014. Vekten kan variere avhengig av tilbehøret/tilbehørene, inkludert batteriet.

Passende batteri og lader

Batteriinnsett	BL1815N / BL1820B / BL1830B / BL1840B / BL1850B / BL1860B
Lader	DC18RC / DC18RD / DC18RE / DC18SD / DC18SE / DC18SF / DC18SH / DC18WC

- Noen av batteriene og laderne som er opplistet ovenfor er kanskje ikke tilgjengelige, avhengig av hvor du bor.

⚠ ADVARSEL: Bruk kun de batteriene og laderne som er opplistet ovenfor. Bruk av andre batterier og ladere kan føre til personskader og/eller brann.

Anbefalt ledning koblet til strømkilde

Bærbar lader	PDC01
--------------	-------

- De(n) ledningstilkoblede strømkilde(n)e som er oppgitt ovenfor er kanskje ikke tilgjengelige, avhengig av hvor du bor.
- Før du bruker de ledningstilkoblede strømkildene, må du lese instruksjons- og forsiktighetsskilt på dem.












Kombinasjonen sagkjede, sverd og kjedehjul

Sagkjedefype		80TXL
Antall drivkjeder		38
Føringsstang	Lengde på føringsstang	200 mm
	Skjærelengde	185 mm
	Vinkel	0,325"
	Måleinnetning	1,1 mm
	Type	Feste for kjedehjul
Kjedehjul	Antall tenner	7
	Vinkel	0,325"

⚠ ADVARSEL: Bruk riktig kombinasjon av sverd og sagkjede. Ellers kan det medføre alvorlige personskader.

Symboler

Nedenfor ser du symbolene som kan brukes for dette utstyret. Forviss deg om at du forstår hva de betyr, før du begynner å bruke maskinen.

	Må ikke utsettes for fuktighet.
	Les bruksanvisningen.
	Bruk hjelm, vernebriller og hørselsvern.
	Bruk vernehansker.
	Bruk robust fottøy med såler som gir godt feste. Vernesko med stålkappe anbefales.
	Pass opp for elektriske ledninger, fare for elektrisk støt.
	Hold en avstand på minst 15 m.
	Maksimalt tillatt skjærelengde
	Kjedets rotasjonsretning
	Kjedeoljetank
	Kun for EU-land På grunn av forekomst av farlige komponenter i utstyret, kan avfall fra elektrisk og elektronisk utstyr, akkumulatører og batterier ha en negativ innvirkning på miljøet og menneskers helse. Ikke kast elektriske og elektroniske apparater eller batterier sammen med husholdningsavfall! I samsvar med det europeiske direktivet om avfall fra elektrisk og elektronisk utstyr og om akkumulatører og batterier samt akkumulatører og batterier skal kastes, samt deres tilpasning til nasjonal lovgivning, skal brukt elektrisk utstyr samt brukte batterier og akkumulatører samles inn separat og leveres til et eget innsamlingssted for kommunalt avfall, som driver virksomhet i samsvar med miljøvernforskriftene. Dette er angis av symbolet med den overkryssede avfallsbeholderen som er plassert på utstyret.



Garantert lydeffektivitet i henhold til EU-direktivet om støy fra utstyr til utendørs bruk.



Lydeffektivitet i henhold til Australia NSW støykontrollforskrift

Riktig bruk

Verktøyet er beregnet på beskjæring av greiner og hovedgreiner.

Støy

Typisk A-vektet lydtrykknivå er bestemt i henhold til ISO22868 (ISO11680-1):

Lydtrykknivå (L_{pA}) : 79 dB (A)

Lydeffektivitet (L_{WA}) : 87 dB (A)

Usikkerhet (K) : 3 dB (A)

MERK: Den/de oppgitte verdien(e) for genererte vibrasjoner har blitt målt i henhold til standard testmetoder, og kan bli brukt til å sammenligne ett verktøy med et annet.

MERK: Den/de angitte verdien(e) for de genererte vibrasjonene kan også brukes til en foreløpig vurdering av eksponeringen.

⚠ ADVARSEL: Bruk hørselsvern.

⚠ ADVARSEL: De genererte vibrasjonene ved faktisk bruk av elektroverktøyet kan avvike fra den/de angitte vibrasjonsverdien(e), avhengig av hvordan verktøyet brukes.

⚠ ADVARSEL: Sørg for å identifisere vernetiltak for å beskytte operatøren, som er basert på et estimat av eksponeringen under de faktiske bruksforholdene (idet det tas hensyn til alle deler av driftssyklusen, dvs. hvor lenge verktøyet er slått av, hvor lenge det går på tomgang og hvor lenge startbryteren faktisk holdes trykket).

Vibrasjoner

Venstre håndtak (frontgrep)		Høyre håndtak (bakre grep)		Gjeldende standard
ah (m/s^2)	Usikkerhet K (m/s^2)	ah (m/s^2)	Usikkerhet K (m/s^2)	
2,5 eller mindre	1,5	2,5 eller mindre	1,5	ISO22867 (ISO11680-1)

MERK: Den/de oppgitte verdien(e) for totalt genererte vibrasjoner har blitt målt i henhold til standard testmetoder, og kan bli brukt til å sammenligne ett verktøy med et annet.

MERK: Den/de angitte verdien(e) for totalt genererte vibrasjoner kan også brukes til en foreløpig vurdering av eksponeringen.

⚠ ADVARSEL: De genererte vibrasjonene ved faktisk bruk av elektroverktøyet kan avvike fra den/de angitte vibrasjonsverdien(e), avhengig av hvordan verktøyet brukes og spesielt i forhold til arbeidsstykket som blir behandlet.

⚠ ADVARSEL: Sørg for å identifisere vernetiltak for å beskytte operatøren, som er basert på et estimat av eksponeringen under de faktiske bruksforholdene (idet det tas hensyn til alle deler av driftsøyklusen, dvs. hvor lenge verktøyet er slått av, hvor lenge det går på tomgang og hvor lenge startbryteren faktisk holdes trykket).

Samsvarserklæringer

Gjelder kun for land i Europa

Samsvarserklæringene er lagt til som vedlegg A i denne bruksanvisningen.

SIKKERHETSADVARSEL

Generelle advarsler angående sikkerhet for elektroverktøy

⚠ ADVARSEL Les alle sikkerhetsadvarsler, instruksjoner, illustrasjoner og spesifikasjoner som følger med dette elektroverktøyet. Hvis ikke alle instruksjonene nedenfor følges, kan det føre til elektrisk støt, brann og/eller alvorlig personskade.

Oppbevar alle advarsler og instruksjoner for senere bruk.

Uttrykket «elektrisk verktøy» i advarslene refererer både til elektriske verktøy (med ledning) tilkoblet strømmettet, og batteridrevne verktøy (uten ledning).

Sikkerhetsadvarsler for batteridrevet stangsag

Generelle forbehold

1. Les denne bruksanvisningen før du begynner å bruke verktøyet for å gjøre deg kjent med hvordan du håndterer verktøyet.
2. Du må ikke låne bort verktøyet til en person med utilstrekkelig erfaring i eller kunnskap om håndtering av verktøyet.
3. Ved utlån av verktøyet må du alltid legge ved denne bruksanvisningen.
4. La ikke barn eller personer under 18 år bruke verktøyet. Hold dem borte fra verktøyet.
5. Verktøyet må brukes med største forsiktighet og oppmerksomhet.
6. Du må aldri bruke verktøyet under påvirkning av alkohol eller legemidler eller hvis du er trøtt eller føler deg dårlig.
7. Du må aldri forsøke å modifisere verktøyet.
8. Ikke bruk verktøyet under dårlige værforhold, spesielt hvis det er fare for lyn. Dette reduserer faren for å bli truffet av lyn.
9. Nasjonale forskrifter kan begrense bruken av verktøyet. Følg gjeldende forskrifter for håndtering av verktøyet i landet ditt.

Personlig verneutstyr

1. Bruk sikkerhetshjelm, vernebriller og vernehansker for å beskytte deg selv mot flygende eller fallende gjenstander.

2. Bruk hørselsvern, f.eks. øreklokker, for å unngå hørselstap.
3. Bruk relevante klær og sko for sikkert arbeid, f.eks. arbeidsoverall og robuste, sklisliske sko. **Ikke bruk løse klær eller smykker.** Løse klær, smykker eller langt hår kan sette seg fast i bevegelige deler.
4. Bruk vernehansker når du håndterer sagkjedet eller justerer kjedets spenning. Sagkjedet kan føre til alvorlige kuttskader på ubeskyttede hender.

Sikkerhet på arbeidsplassen

1. Hold verktøyet minst 15 m unna strømledninger og kommunikasjonskabler (inkludert eventuelle greiner som er i kontakt med dem). **Berører eller nærmer du deg en høyspentledning med verktøyet, kan det føre til død eller alvorlig personskade. Se opp for stømledninger og elektriske gjerder rundt arbeidsområdet før du starter.**
2. Bruk verktøyet kun i dagslys og når sikten er god. Ikke bruk verktøyet i mørke eller tåke.
3. Du må aldri stå på ustøtt eller glatt underlag eller i en bratt skråning mens du arbeider. Vær oppmerksom på is og snø i den kalde årstiden, og sørg alltid for at du har sikkert fotfeste.
4. Andre personer eller dyr må holdes på minst 15 m avstand når verktøyet er i bruk. Stans verktøyet umiddelbart så snart noen nærmer seg.
5. Når to eller flere personer jobber sammen, skal de holde en avstand på minst 15 m mellom seg og være under oppsyn av en arbeidsleder.
6. Undersøk området med tanke på nettinggjerd, vegger og andre harde gjenstander før du begynner å bruke verktøyet. De kan ødelegge sagkjedet.

Klargjøring

1. Før du monterer eller justerer verktøyet, må du slå av verktøyet og fjerne batteriet.
2. Ta på vernehansker før du håndterer sagkjedet eller justerer kjedets spenning.
3. Kontroller verktøyet med tanke på skader, løse skruer/muttere eller feil montering før du starter verktøyet. Skjerp sløve sagkjeder. Hvis sagkjedet er bøyd eller ødelagt, må det skiftes ut. Kontroller at alle kontrollspaker og brytere lar seg enkelt betjene. Rengjør og tørk håndtakene.
4. Forsøk aldri å starte verktøyet hvis verktøyet er skadet eller ikke fullstendig montert. Det kan føre til alvorlig personskade.
5. Tilpass skulderselen slik at det passer til kroppen din.
6. Juster kjedets spenning nøye. Etterfyll kjedeolje ved behov.

Starte verktøyet

1. Ta på det personlige verneutstyret før du starter verktøyet.
2. Før du starter verktøyet, må du kontrollere at det ikke finnes personer eller dyr i arbeidsområdet.
3. Hold sagkjeden og sverdet borte fra kroppen din eller andre gjenstander, inkludert bakken, når du setter i batteriet. Sagkjedet kan bevege seg under oppstart og føre til alvorlig personskade eller skade på sagkjedet og/eller eiendom.
4. Plasser verktøyet på fast underlag. Sørg for at du er i balanse og har godt fotfeste.

Bruk

1. I et nødstilfelle skal verktøyet slås av øyeblikkelig.
2. Hvis du merker noe uvanlig (f.eks. støy, vibrasjon) under bruk, må du slå av verktøyet. Ikke bruk verktøyet før årsaken er funnet og rettet opp.
3. Sagkjedet fortsetter å bevege seg en kort stund etter at verktøyet er slått av. Ikke forhast deg med å ta på sagkjedet.
4. Bruk skulderselen under utføring av arbeidet. Hold verktøyet i et fast grep på din høyre side.
5. Hold det fremre håndtaket med venstre hånd og det bakre håndtaket med høyre hånd, uansett om du er høyre- eller venstrehendt. Hold fingrene og tommelen rundt håndtakene.
6. Hold verktøyet kun i de isolerte gripeflatene, ettersom sagkjedet kan komme i kontakt med skjulte ledninger. Et sagkjede som kommer i kontakt med en strømførende ledning, vil også gjøre uisolerte metalldeleler på hagesaksen med ekstra stor rekkevidde strømførende, og kan gi deg elektrisk støt.
7. Forsøk aldri å bruke verktøyet med én hånd. Hvis du mister kontrollen, kan det føre til alvorlig personskade eller dødsfall. For å redusere risikoen for personskade, må du holde hender og føtter unna sagkjedet.
8. Ikke strekk deg for langt. Pass alltid på at du holder balansen, og har godt fotfeste. Se opp for skjulte gjenstander, for eksempel trestubber, røtter og grøfter, for å unngå at du snubler. Rydd vekk greiner og andre gjenstander.
9. Du må aldri arbeide fra et tre eller en stige, ettersom dette kan føre til at du mister kontrollen.
10. Hvis utstyret blir utsatt for kraftige støt eller fall, må du kontrollere tilstanden før du fortsetter arbeidet. Hvis du er i tvil om verktøyet er skadet, kan du kontakte Makitas autoriserte servicesenter for inspeksjon og reparasjon.
11. Ikke ta på verktøyets hode. Verktøyets hodet blir varm under bruk.
12. Ta pauser for å unngå at du mister kontrollen på grunn av tretthet. Vi anbefaler at du tar en pause på 10 til 20 minutter hver time.
13. Du må alltid slå av verktøyet og ta ut batteriet når du forlater verktøyet, selv for et kort tidsrom. Et verktøy som er slått på og ikke er under oppsikt, kan bli brukt av ikke-autoriserte personer og forårsake en alvorlig ulykke.

14. Når du bruker verktøyet, må du ikke løfte høyre hånd over skulderhøyde.
15. Du må aldri slå sagkjedet mot harde gjenstander som steiner og spiker mens det er i bruk. Vær ekstra forsiktig når du kutter greiner ved siden av vegger, nettinggjerder eller lignende.
16. Hvis greiner setter seg fast i verktøyet, må du alltid stanse verktøyet og ta ut batteriet. Ellers kan utilsiktet start føre til alvorlig personskade.
17. Hvis sagkjedet blir tilstoppet, må du alltid slå av verktøyet og ta ut batteriet før du gjør det rent.
18. Før du kutter kvister og greiner, må du sørge for at det er et rømningsvei bort fra der de vil falle ned. Først fjerner du hindringer som hovedgreiner og greiner fra arbeidsområdet. Flytt alt verktøy og annet utstyr fra rømningsveien til et annet trygt sted.
19. Før du kutter greiner og hovedgreiner, må du kontrollere fallretningen, og ta hensyn til tilstanden til hovedgreiner og kvister, tilgrensende trær, vindretning, osv. Konsentrer deg om fallretningen og muligheten for at greinen som treffer bakken kan sprette tilbake.
20. Du må aldri holde verktøyet i en vinkel på mer enn 60°. Fallende gjenstander kan treffe deg og forårsake alvorlig personskade. Du må aldri stå under hovedgreinen som kuttes.
21. Vær oppmerksom på knekte eller bøyd greiner. De kan sprette tilbake under kutting og forårsake uventet personskade.
22. Før du kutter hovedgreiner, skal du fjerne greiner og løv rundt dem. Ellers kan sagkjedet sette seg fast i dem.
23. Ikke slipp spaken før du trekker sagkjedet ut av sagsnittet, ettersom det kan føre til at sagkjedet setter seg fast i sagsnittet.
24. Hvis sagkjedet hefter seg i sagsnittet, må du stanse verktøyet umiddelbart, bevege forsiktig på greinen for å åpne sagsnittet og frigjøre sagkjedet.
25. Unngå tilbakeslag (roterende reaksjonskraft mot deg). Tilbakeslag unngås ved aldri å bruke spissen på sverdet eller utføre et penetrerende kutt. Vær alltid oppmerksom på posisjonen til spissen på sverdet.
26. Kontroller kjedets spenning ofte. Når du kontrollerer eller justerer kjedets spenning, må du slå av verktøyet og fjerne batteriet. Ved lav spenning, må du stramme kjedet.

Vibrasjoner

1. Hvis du blir utsatt for kraftige vibrasjoner, kan blodkar eller nervesystemet bli skadet, og du kan oppleve følgende symptomer i fingrene, hendene eller håndleddene: "Soving" (nummenhet i kroppsdeleler), prikking, smerter, stikkende følelse, endring av hudfargen eller av huden. Oppsøk lege hvis noen av disse symptomene oppstår. For å unngå faren for å få "likfingring" må du holde hendene varme under bruk og vedlikeholde verktøyet og tilbehøret godt. Følg lokale forskrifter og råd fra legen angående driftstid.

Transport

1. Før du transporterer verktøyet, må du slå av verktøyet og fjerne batteriet. Sett alltid på sverddekslet under transport.
2. Når verktøyet transporteres, må du bære det i horisontal stilling ved å holde i håndtaket.

Vedlikehold

1. Sørg for at vårt autoriserte servicesenter utfører service på utstyret og at det alltid brukes kun originale reservedeler. Feil reparasjon og dårlig vedlikehold kan forkorte levetiden til verktøyet og øke risikoen for ulykker.
2. Før du utfører vedlikehold eller reparasjoner eller rengjør verktøyet, må du alltid slå av verktøyet og fjerne batteriet. Vent til verktøyet har kjølt seg ned.
3. Du må alltid bruke vernehansker når du håndterer sagkjedet.
4. Etter hvert bruk må du trekke til alle skruer og muttere, unntatt justeringsskruer.
5. Hold sagkjedet skjerpet. Hvis sagkjedet har blitt sløvt og ikke kutter godt nok, kan du be Makitas autoriserte servicesenter om å skjerpe det eller erstatte det med et nytt.
6. Ikke prøv å utføre vedlikehold eller reparasjoner som ikke beskrives i denne bruksanvisningen. Kontakt Makitas autoriserte servicesenter for slikt arbeid.
7. Bruk alltid kun originale tilbehørs- og reservedeler fra Makita. Hvis du bruker deler og tilbehør fra tredjepart, kan dette resultere i svikt av verktøyet, ødeleggelse av eiendom og/eller alvorlig personskade.

Oppbevaring

1. Utfør fullstendig rengjøring og vedlikehold av verktøyet før det legges til oppbevaring. Sett på sverddekslet. Fjern batteriet. Tapp ut kje-deoljen når verktøyet har kjølt seg ned.
2. Oppbevar verktøyet på et tørt og høyt eller låst sted som er utilgjengelig for barn.
3. Ikke len verktøyet opp mot noe, for eksempel en vegg. Ellers kan det føre til at det plutselig faller og kan forårsake personskade.

Elektrisk sikkerhet og batterisikkerhet

1. Ikke kast batteriet (batterie) på åpen ild. Cellen kan eksplodere. Batterier skal leveres til en forhandler av elektroustyr eller til et kommunalt avfallsmottak.
2. Ikke åpne eller ødelegg batteriet (batterie). Elektrolytt som lekker ut er korroderende, og kan forårsake skader på øyne og hud. Den kan være giftig hvis den svelges.
3. Ikke skift batteri når det regner, eller i fuktige omgivelser.
4. Ikke lad batteriet utendørs.
5. Ikke håndter laderen, inkludert laderstøpselet og laderterminalene, med våte hender.
6. Unngå farlige omgivelser. Ikke bruk utstyret i fuktige eller våte omgivelser, og ikke utsett det for regn. Hvis det kommer vann inn i verktøyet, vil risikoen for elektriske støt øke.

TA VARE PÅ DISSE INSTRUKSENE.

⚠ ADVARSEL: IKKE LA hensynet til hva som er "behagelig" eller det faktum at du kjenner produktet godt (etter mange gangers bruk) gjøre deg mindre oppmerksom på sikkerhetsreglene for bruken av det aktuelle produktet. Ved MISBRUK eller hvis ikke sikkerhetsreglene i denne bruksanvisningen følges, kan det oppstå alvorlig personskade.

Viktige sikkerhetsanvisninger for batteriinnsetts

1. Før du begynner å bruke batteriet, må du lese alle anvisninger og forsiktighetsregler på (1) batteriladeren, (2) batteriet og (3) det produktet batteriet skal brukes i.
 2. Ikke demonter eller tukle batteriet. Det kan føre til brann, overoppheting eller eksplosjon.
 3. Hvis driftstiden er blitt vesentlig kortere, må du omgående slutte å bruke maskinen. Hvis ikke kan resultatet bli overoppheting, mulige forbrenninger eller til og med en eksplosjon.
 4. Hvis du får elektrolytt i øynene, må du skylle dem med store mengder rennende vann og oppsøke lege med én gang. Denne typen uhell kan føre til varig blindhet.
 5. Ikke kortslett batteriet:
 - (1) De kan være ekstremt varme og du kan brenne deg.
 - (2) Ikke lagre batteriet i samme beholder som andre metallgjenstander, som for eksempel spiker, mynter osv.
 - (3) Ikke la batteriet komme i kontakt med vann eller regn.
- En kortslutning av batteriet kan føre til et kraftig strømstøt, overoppheting, mulige forbrenninger og til og med til at batteriet går i stykker.
6. Ikke oppbevar og bruk verktøyet og batteriet på steder hvor temperaturen kan komme opp i eller overskride 50 °C.
 7. Ikke sett fyr på batteriet, ikke engang om det er sterkt skadet eller helt utslitt. Batteriet kan eksplodere hvis det begynner å brenne.
 8. Du må ikke spikre, skjære, klemme, kaste eller miste batteriet, og heller ikke slå en hard gjenstand mot batteriet. En slik oppførsel kan føre til brann, overoppheting eller eksplosjon.
 9. Ikke bruk batterier som er skadet.
 10. Lithium-ion-batteriene som medfølger er gjenstand for krav om spesialavfall. For kommersiell transport, f.eks av tredjeparter eller speditorer, må spesielle krav om pakking og merking følges. Før varen blir sendt, må du forhøre deg med en ekspert på farlig materiale. Ta også hensyn til muligheten for mer detaljerte nasjonale bestemmelser. Bruk teip eller maskeringsteip for å skjule åpne kontakter og pakk inn batteriet på en slik måte at den ikke kan bevege seg rundt i emballasjen.
 11. Når du kasserer batteriinnsettsen, må du ta den ut av verktøyet og avhende den på et sikkert sted. Følg lokale bestemmelser for avhending av batterier.

12. **Bruk batteriene kun med produkter spesifisert av Makita.** Montere batteriene i produkter som ikke er konforme kan føre til brann, overheting eller elektrolyttlekkasje.
13. **Hvis verktøyet ikke skal brukes over en lengre periode, må batteriet tas ut av verktøyet.**
14. **Under og etter bruk kan batteriet bli varmt og før til brannskader. Vær forsiktig med håndteringen av varme batterier.**
15. **Ikke berører terminalen på verktøyet rett etter bruk, da den kan bli varm og forårsake brannskader.**
16. **Ikke la spon, støv eller jord sette seg fast i terminalene, hullene og sporene i batteriet.** Det kan føre til at batteriet eller verktøyet blir overopphetet, begynner å brenne, sprekker eller ikke fungerer som det skal, og forårsake brannskader eller personskaade.
17. **Med mindre verktøyet støtter bruk nær en høyspent strømlinje, skal ikke batteriet brukes nær en høyspent strømlinje.** Det kan føre til en funksjonsfeil eller at verktøyet eller batteriet slutter å fungere.
18. **Oppbevar batteriet utilgjengelig for barn.**

TA VARE PÅ DISSE INSTRUKSENE.

⚠FORSIKTIG: Bruk kun originale Makita-batterier. Bruk av batterier som har endret seg, eller som ikke er originale Makita-batterier, kan føre til at batteriet sprekker og forårsaker brann, personskaade og andre skader. Det vil også ugyldiggjøre garantien for Makita-verktøyet og -laderen.

Tips for å opprettholde maksimal batterilevetid

1. **Lad batteriinnsetsen før den er helt utladet. Stopp alltid driften av verktøyet og lad batteriinnsetsen når du merker at effekten reduseres.**
2. **Lad aldri en batteriinnsets som er fulladet. Overopplading forkorter batteriets levetid.**
3. **Lad batteriet i romtemperatur ved 10 °C - 40 °C. Et varmt batteri må kjøles ned før lading.**
4. **Når batteriet ikke er bruk, skal det tas ut av verktøyet eller laderen.**
5. **Lad batteriet hvis det ikke har vært brukt på en lang stund (over seks måneder).**

DELEBESKRIVELSE

► Fig.1

1	Håndtaksmodul	2	Midtre forlengelsesstang	3	Saghodemodul
4	Oppheng	5	AV-sperreknapp	6	Batteriinnsets
7	Startbryter	8	Bakre håndtak	9	Sagkjede
10	Sverd	11	Oljetanklokk	12	Spak
13	Justeringsknapp for hodevinkel	14	Sverddeksel	15	Fremre grep

FUNKSJONSBE- SKRIVELSE

⚠FORSIKTIG: Forviss deg alltid om at maskinen er slått av og batteriet tatt ut før du justerer maskinen eller kontrollerer dens mekaniske funksjoner.

Sette inn eller ta ut batteri

⚠FORSIKTIG: Slå alltid av verktøyet før du setter inn eller fjerner batteriet.

⚠FORSIKTIG: Hold verktøyet og batteripatronen i et fast grep når du monterer eller fjerner batteripatronen. Hvis du ikke holder verktøyet og batteripatronen godt fast, kan du miste grepet, og dette kan føre til skader på verktøyet og batteripatronen samt personskaade.

Når du skal sette inn batteriet, må du plassere tungen på batteriet på linje med sporet i huset og skyve batteriet på plass. Skyv det helt inn til det går i inngrep med et lite klikk. Hvis du kan se den røde indikatoren som vist i figuren, er det ikke helt låst.

For å ta ut batteriet må du skyve på knappen foran på batteriet og trekke det ut.

► Fig.2: 1. Rød indikator 2. Knapp 3. Batteriinnsets

⚠FORSIKTIG: Batteriet må alltid settes helt inn, så langt at den røde indikatoren ikke lenger er synlig. Hvis dette ikke gjøres, kan batteriet falle ut av verktøyet og skade deg eller andre som oppholder seg i nærheten.










⚠FORSIKTIG: Ikke bruk makt når du setter i batteriet. Hvis batteriet ikke glir lett inn, er det fordi det ikke settes inn på riktig måte.

Indikere gjenværende batterikapasitet

Kun for batterier med indikatoren

Trykk på sjekk-knappen på batteriet for vise gjenværende batterikapasitet. Indikatorlampene lyser i et par sekunder.

► **Fig.3:** 1. Indikatorlamper 2. Kontrollknapp

Indikatorlamper			Gjenværende batterinivå
Tent	Av	Blinker	
			
			75 % til 100 %
			50 % til 75 %
			25 % til 50 %
			0 % til 25 %
			Lad batteriet.
 ↑ ↓			Batteriet kan ha en feil.

MERK: Det angitte nivået kan avvike noe fra den faktiske kapasiteten alt etter bruksforholdene og den omgivende temperaturen.

MERK: Den første (helt til venstre) indikatorlampen vil blinke når batterivernsystemet fungerer.

Batterivernsystem for verktøy/batteri

Verktøyet er utstyrt med et batterivernsystem for verktøy/batteri. Dette systemet kutter automatisk strømmen til motoren for å forlenge verktøyets og batteriets levetid. Verktøyet stopper automatisk under drift hvis verktøyet eller batteriet utsettes for en av følgende tilstander:

Overlastsikring

Når batteriet brukes på en måte som gjør at det bruker unormalt mye strøm, vil verktøyet stoppe automatisk. I dette tilfellet, slipp startbryteren for å stoppe, og unngå arbeidet som førte til at verktøyet ble overbelastet. Trykk deretter på AV-sperreknappen og trykk på startbryteren for å starte på nytt.

Overopphetingsvern

Når verktøyet eller batteriet blir overopphetet, stanser verktøyet automatisk. I dette tilfellet lar du verktøyet og batteriet avkjøles før du starter verktøyet igjen.

MERK: Overopphetingsvernet vil sannsynligvis fungere i omgivelser med høye temperaturer.

Overutladingsvern

Verktøyet stopper automatisk når batterikapasiteten blir utilstrekkelig. I dette tilfellet tar du batteriet ut av verktøyet og lader det.

Bryterfunksjon

⚠ADVARSEL: Av hensyn til din egen sikkerhet er dette verktøyet utstyrt med en AV-sperreknapp som forhindrer utilsiktet start. Verktøyet må ALDRI brukes hvis det starter ved at du trykker på startbryteren uten at du også trykker på AV-sperreknappen. Lever verktøyet til et autorisert serviceverksted for å få det reparert FØR videre bruk.

⚠ADVARSEL: AV-sperreknappen må ALDRI holdes inne med tape, og den må ALDRI tas ut av funksjon.

⚠FORSIKTIG: Før du setter batteriet inn i maskinen, må du alltid kontrollere at startbryteren aktiverer maskinen på riktig måte og går tilbake til «AV»-stilling når den slippes.

OBS: Ikke trykk hardt på startbryteren uten å trykke på AV-sperreknappen. Det kan føre til at bryteren brytter.

Verktøyet er utstyrt med en AV-sperreknapp for å unngå at noen trykker på startbryteren ved en feiltakelse. Trykk på AV-sperreknappen og trykk på startbryteren for å starte verktøyet. Slipp startbryteren for å stoppe.

► **Fig.4:** 1. Startbryter 2. AV-sperreknapp

Elektronisk funksjon

Maskinen er utstyrt med de elektroniske funksjonen for å gjøre den enkel å bruke.

- Elektrisk brems
Dette verktøyet er utstyrt med elektrisk brems. Hvis verktøyet ikke stopper raskt når startbryteren slippes, må du få gjennomført service ved et Makita servicesenter.

MONTERING

⚠ADVARSEL: Aldri koble til to eller flere skaff-forlengelsestilbehør. Ellers kan tap av kontroll føre til alvorlig personskade.

⚠FORSIKTIG: Påse alltid at batteriet er fjernet før det utføres arbeid på verktøyet.

⚠FORSIKTIG: Ikke ta på sagkjedet med bare hender. Bruk alltid hansker når du håndterer sagkjedet.

Sette sammen modulene

⚠️FORSIKTIG: Når du setter sammen saghodemodulen, midtre forlengelsesstang og håndtaksmodulen, må du sette modulene på bakken. Hvis modulen settes sammen i stående posisjon, kan den falle og treffe gjenstander eller personer i nærheten, noe som kan forårsake ulykke eller personskade.

⚠️FORSIKTIG: Forviss deg alltid om at hylsen er fullstendig gjenget. Hvis ikke hylsen gjenges fullstendig, kan montasjene bli frakoblet og forårsake personskade.

► **Fig.5:** 1. Saghodemodul 2. Midtre forlengelsesstang 3. Håndtaksmodul

1. Rett inn trekantmerkene på modulene i forhold til hverandre, og sett én inn i den andre.

Tungen passer i sporet.

► **Fig.6:** 1. Trekantmerke 2. Tunge 3. Spor

2. Skyv hylsen inn til gjengene og roter den med klokken til den stopper.

Enden på gjengene må dekkes fullstendig med hylsen, som vist i figuren.

► **Fig.7:** 1. Hylse

Gjøre verktøyet kortere

Hvis du vil gjøre verktøyet kortere, setter du saghodemodulen og håndtaksmodulen sammen direkte uten den midtre forlengelsesstangen, som vist i figuren.

► **Fig.8:** 1. Saghodemodul 2. Håndtaksmodul

Ta av eller monterer sagkjedet

⚠️FORSIKTIG: Sagkjedet og sverdet er fortsatt varme etter bruk. La de avkjøles tilstrekkelig før du utfører arbeid på verktøyet.

⚠️FORSIKTIG: Utfør prosedyren for montering eller avmontering av sagkjedet på et rent sted uten sagmugg o.l.

Fjerne sagkjedet

Bruk følgende trinn for å ta av sagkjedet:

1. Trekk spaken opp.

► **Fig.9:** 1. Spak

2. Drei spaken mot klokken for å løsne kjedehjulbeskyttelsen til den kan tas av.

► **Fig.10:** 1. Spak 2. Kjedehjuldeksel

3. Ta av kjedehjuldekslet, og ta deretter sagkjedet og sverdet av verktøykroppen.

Montere sagkjedet

Bruk følgende trinn for å montere sagkjedet:

1. Trekk spaken opp.

► **Fig.11:** 1. Spak

2. Drei spaken mot klokken for å løsne kjedehjulbeskyttelsen til den kan tas av.

► **Fig.12:** 1. Spak 2. Kjedehjuldeksel

3. Ta av kjedehjuldekslet.

4. Rett inn hullet på sverdet med pinnen på verktøykroppen, og plasser deretter sverdet som vist på figuren.

► **Fig.13:** 1. Sverd 2. Hull 3. Pinne

5. Skyv sverdet mot kjedehjulet for å låse pinnen.

► **Fig.14:** 1. Sverd 2. Pinne

6. Ta sverdet av verktøykroppen.

7. Kontroller retningen til sagkjedet. Rett inn retningen til sagkjedet med merket på verktøykroppen.

► **Fig.15:** 1. Merke på verktøykropp

8. Fest den ene enden av sagkjedet på toppen av sverdet.

9. Fest den andre enden av sagkjedet rundt kjedehjulet, og fest så sverdet på verktøykroppen slik at hullet på sverdet er rettet inn med pinnen på verktøykroppen.

► **Fig.16:** 1. Kjedehjul

Press sverdet mot verktøykroppen for å løsne pinnen. Strammingen av sagkjedet justeres automatisk.

► **Fig.17:** 1. Sagkjede 2. Pinne 3. Kjedehjul

10. Sett kjedehjuldekslet slik at bolten og pinnen på verktøykroppen møter sine motstykker på kjedehjuldekslet.

► **Fig.18:** 1. Kjedehjuldeksel 2. Bolt 3. Splint

11. Drei spaken med klokken og stram godt for å feste kjedehjuldekslet, og sett den så tilbake til opprinnelig stilling.

► **Fig.19:** 1. Spak 2. Kjedehjuldeksel

Forviss deg om at drivleddet på sagkjedet sitter godt på kjedehjulet og at sagkjedet sitter ordentlig på plass i skinnesporet på sverdet.

Pass på at ikke sagkjedet løsner og at sagkjedet beveger seg jevnt frem og tilbake. Hvis nødvendig, justerer du strammingen av sagkjedet ved å referere til avsnittet om justering av strammingen av sagkjedet.

Justere strammingen av sagkjedet

⚠️FORSIKTIG: Et kjede som er for løst kan hoppe av sverdet og føre til personskade eller ulykke.

Sagkjedet kan bli løsere etter mange timers bruk. Fra tid til annen må du kontrollere strammingen av sagkjedet før bruk.

Hvis sagkjedet er løst, justerer du strammingen av sagkjedet.

1. Trekk spaken opp.

► **Fig.20:** 1. Spak

2. Drei spaken litt mot klokken for å løsne kjedehjuldekslet litt. Kjedestrammingen justeres automatisk.

► **Fig.21:** 1. Spak 2. Kjedehjuldeksel

3. Drei spaken med klokken og stram godt for å feste kjedehjuldekslet, og sett den så tilbake til opprinnelig stilling.

► **Fig.22:** 1. Spak 2. Kjedehjuldeksel

Justere hodevinkelen

⚠FORSIKTIG: Når du justerer hodevinkelen, må du sette på sverddekselet for å unngå skade.

⚠FORSIKTIG: Vær forsiktig så du ikke setter fingrene i klem mellom hodet og stangen.

Hodet kan justeres i 9 vinkler. Følg disse trinnene:

1. Hold verktøyet som vist i figuren, og juster hodet til ønsket vinkel mens du trykker på justeringsknappen for hodevinkel.

► **Fig.23:** 1. Justeringsknapp for hodevinkel 2. Hode

2. Slipp justeringsknappen for hodevinkel og forviss deg om at den går tilbake til opprinnelig posisjon.

OBS: Hvis justeringsknappen for hodevinkel ikke går tilbake til opprinnelig posisjon, beveger du hodet litt til det klikker på plass.

OBS: Forviss deg om at hodet er godt festet før bruk.

BRUK

Smøring

OBS: Når du fyller kjedeolje for første gang, eller når du fyller tanken etter at den har vært kjørt helt tom, må du fylle på olje til nederst på påfyllingsstussen. Ellers kan oljetilførselen bli for dårlig.

OBS: Bruk kjedeolje som er spesiallaget for motorsager fra Makita, eller tilsvarende olje som er tilgjengelig på markedet.

OBS: Du må aldri bruke olje som inneholder støv og partikler eller flyktig olje.

OBS: Bruk botanisk olje ved beskjæring av trær. Mineralolje kan skade trærne.

OBS: Før du sager må du passe på at det medfølgende oljetankklokket er skrudd godt på.

Sagkjedet smøres automatisk når verktøyet er i bruk. Kontroller jevnlig hvor mye olje som er igjen i tanken.

► **Fig.24:** 1. Oljetank

Når du skal etterfylle tanken, setter du verktøyet på et flatt underlag og tar deretter av oljetankklokket ved å dreie det.

Riktig oljemengde er 55 cm³. Etter at du har etterfylt tanken må du kontrollere at oljetankklokket er skrudd ordentlig på plass.

► **Fig.25:** 1. Oljetankklokk 2. Oljetank (gjennomsiktig)

Hold verktøyet slik at det vender bort fra treet etter etterfylling. Start det, og vent til sagkjedet er passe smurt.

► **Fig.26**

Feste skulderselen

⚠FORSIKTIG: Når du bruker verktøyet i kombinasjon med strømforsyningen av ryggsekktype, f.eks. bærbare lader, må du ikke bruke skulderselen som følger med i verktøypakken, men bruke den hengende stroppen som Makita anbefaler.

Hvis du tar på deg skulderselen som er inkludert i verktøypakken og skulderselen til strømforsyningen av ryggsekktype samtidig, er det vanskelig å ta av verktøyet eller strømforsyningen av ryggsekktype i et nødstilfelle, og det kan føre til en ulykke eller personskade. Be et servicesenter anbefalt av Makita om råd angående anbefalte hengende stropper.

⚠FORSIKTIG: Alltid bruk skulderselen som er festet på verktøyet. Før bruk justerer du skulderselen etter brukerens størrelse for å hindre at du blir sliten.

⚠FORSIKTIG: Før bruk må du se til at skulderselen sitter godt festet på opphenget til verktøyet.

⚠FORSIKTIG: Før bruk må du kontrollere at spennen på skulderselen er godt festet.

⚠FORSIKTIG: Du må alltid bruke skulderselen som er beregnet på dette verktøyet. Ikke bruk andre skulderseler.

1. Ta på deg skulderselen på venstre skulder.

► **Fig.27**

2. Klem kroken til skulderselen på verktøysoppheng.

► **Fig.28:** 1. Krok 2. Oppheng

3. Juster skulderselen til en behagelig arbeidsposisjon.

► **Fig.29**

Skulderselen har en hurtigitløser.

Trykk på sidene av spennen for å frigjøre verktøyet fra skulderselen.

► **Fig.30:** 1. Spenne

Jobbe med verktøyet

⚠FORSIKTIG: Hold alle kroppsdeler vekk fra sagkjedet når motoren går.

⚠FORSIKTIG: Hold verktøyet godt fast med begge hender når motoren svinger.

⚠FORSIKTIG: Ikke strekk deg for langt. Pass alltid på at du holder balansen og har godt fotfeste.

⚠FORSIKTIG: Når du kutter gjennom greiner, må du passe på at du ikke mister balansen på grunn av verktøyhodets vekt.

⚠FORSIKTIG: Ha alltid en rømningsvei klar i tilfelle en grein faller mot deg.

⚠FORSIKTIG: Du må aldri kutte med spissen på sverdet. Det kan føre til farlige tilbakeslag som igjen kan føre til personskade.

OBS: Du må aldri kaste, eller slippe ned verktøyet.

OBS: Ikke tildekk ventilene på verktøyet.

OBS: Ikke bruk makt på verktøyet. Det kan skade verktøyet.

Stå på et stabilt underlag, og hold verktøyet bort fra greinene slik at verktøyets vinkel blir på 60° eller mindre mot den horisontale bakken.

► **Fig.31:** 1. 60° eller mindre

Start verktøyet, og trykk deretter sagkjedet lett mot greinen.

Når du kutter lange greiner, styrer du fallretningen på kuttede greiner ved å dele greinen inn i stykker og kutte greinen fra ytterst og innover. Vær oppmerksom på fallende greiner, ettersom de kan sprette mot deg etter å ha truffet bakken.

► **Fig.32**

Når du sager tykke greiner, må du først lage et overfladisk snitt fra undersiden og sluttsnittet fra toppen.

► **Fig.33**

Hvis du prøver å kutte tykke greiner nedenfra, kan greinen trekke seg sammen rundt sagkjedet i snittet slik at den setter seg fast. Hvis du prøver å kutte tykke greiner ovenfra uten et overfladisk snitt fra undersiden, kan greinen splintres.

► **Fig.34**

Bærbart verktøy

Før du bærer verktøyet, må du alltid fjerne batteriene fra verktøyet og deretter sette på sverddekselet. Dekk også batteriet til med batteridekselet.

Ikke rør startbryteren når du bærer verktøyet.

► **Fig.35:** 1. Sverddekselet 2. Batteridekselet

Bruke verktøyet med bærbar lader

Valgfritt tilbehør

Bruk den hengende stroppen når du bruker verktøyet med bærbar lader.

Feste den hengende stroppen

1. Fest krokene på det hengende båndet i ringene på skulderstroppen eller på beltet, som vist i figuren. Velg den typen stropp og festemetode som egner seg til ditt bruk.

► **Fig.36:** 1. Skive 2. Krok

► **Fig.37:** 1. Skive 2. Krok

2. Fest kroken på verktøyet.

► **Fig.38:** 1. Krok

Løsne verktøyet

Når du setter ned verktøyet, må du låse opp spennen på den hengende stroppen med den ene hånden mens du holder verktøyet med den andre hånden.

► **Fig.39:** 1. Spenne

MERK: Om det er en beltespenne eller ikke avhenger av typen stropp.

Hvis du har behov for å frigjøre verktøyet raskt, gjør du som beskrevet nedenfor.

1. Skyv på hendlene på beltespennen for å låse opp spennen.

► **Fig.40:** 1. Spenne 2. Hendel

2. Ta av skulderstroppen for å frigjøre verktøyet og enheten.

► **Fig.41:** 1. Skuldersele

VEDLIKEHOLD

⚠FORSIKTIG: Forviss deg alltid om at maskinen er slått av og batteriet tatt ut før du foretar inspeksjon eller vedlikehold.

⚠FORSIKTIG: Bruk alltid hansker når du utfører inspeksjon eller vedlikehold.

OBS: Aldri bruk gasolin, bensin, tynner alkohol eller lignende. Det kan føre til misfarging, deformering eller sprekke dannelse.

For å opprettholde produktets SIKKERHET og PÅLITELIGHET, må reparasjoner, vedlikehold og justeringer utføres av autoriserte Makita servicesentre eller fabrikk servicesentre, og det må alltid brukes reservedeler fra Makita.

Slipe sagkjedet

Slip sagkjedet når:

- Det dannes melaktig sagflis når du sager i vått tre
- Kjedet har problemer med å trenge gjennom treet, selv når du legger kraftig press på sagen
- Snittkanten er synlig skadet
- Årsaken til denne oppførselen er ujevn sliping av sagkjedet, eller at den ene siden av det er skadet (forårsaket av ujevn sliping av sagkjedet eller bare skade på den ene siden).

Slip sagkjedet hyppig, men bare litt hver gang. To eller tre strøk med en fil er vanligvis nok ved rutinemessig sliping. Når sagkjedet er blitt slipt om igjen flere ganger, bør du få det slipt hos et av våre godkjente servicesentre.

Slipekriterier:

⚠ADVARSEL: For stor avstand mellom snittkanten og dybdemåleren øker risikoen for tilbakeslag.

► **Fig.42:** 1. Tannlengde 2. Avstand mellom snittkanten og dybdemåler 3. Minimum skjærelengde (3 mm)

- Alle tannlengder må være like. Tenner av ulik lengde hindrer at kjedet løper jevnt, og kan forårsake brudd på kjedet.
- Ikke slip kjedet når tannlengden har nådd 3 mm eller kortere. Kjedet må skiftes ut med et nytt.
- Spontykkelsen bestemmes av avstanden mellom rytterne (rund nese) og snittkanten.

- De beste sageresultatene oppnås med følgende avstand mellom snittkanten og rytterne.

- Sagblad 80TXL : 0,65 mm

► **Fig.43**

- Slipevinkelen på 30° må være lik på alle tennene. Ulikheter i vinkelen kan få kjedet til å gå brått og ujevnt, føre til raskere slitasje og kjedebrudd.
- Bruk en egnet rundfil slik at riktig slipevinkel beholdes mot tennene.
 - Sagblad 80TXL : 55°

Fil og filføring

- Bruk en spesiell rundfil (valgfritt tilbehør) for sagkjedet hvis du ønsker å slippe det. Vanlige runde filer kan ikke brukes.
- Diameter for den runde filen for hvert sagkjede er som følger:
 - Sagblad 80TXL : 4,0 mm
- Filen må bare berøre tannen på vei forover. Løft filen av tannen på vei tilbake.
- Slip den korteste tannen først. Den korteste tannens lengde blir standarden for alle tennene på sagkjedet.
- Før filen som vist på figuren.

► **Fig.44:** 1. Fil 2. Sagkjede

- Filen kan føres enklere ved hjelp av en filholder (ekstrautstyr). Filholderen har merker for korrekt slipevinkel på 30° (legg merkene parallelt med sagkjedet) og begrenser inntrengningsdybden (til 4/5 av filediameteren).

► **Fig.45:** 1. Filholder

- Når kjedet er slipt, må du kontrollere høyden på rytterne ved hjelp av kjedemalen (ekstrautstyr).

► **Fig.46**

- Fjern eventuelt fremstikkende materiale, uansett hvor lite det dreier seg om, med en flat spesialfil (ekstrautstyr).
- Rytterne rundes av igjen i forkant.

Rengjør sverdet

Spon og sagflis vil samle seg i sverdsporet. De kan tette sporet og forhindre oljetilførselen. Fjern alltid spon og sagflis når du sliper eller skifter ut sagkjedet.

► **Fig.47**

Rengjøring av kjedehjulbeskyttelsen

Spon og sagflis vil samle seg opp på innsiden av dekslet. Ta kjedehjuldekslet og sagkjedet av sagen, og fjern spon og sagflis.

► **Fig.48**

Rengjøre oljetstrømningshullet

Små partikler eller støv kan samle seg i oljetstrømningshullet under bruk. Støvet eller partiklene kan skade oljetilførselen og forårsake utilstrekkelig smøring av hele sagkjedet. Når det kommer lite kjedeolje øverst på sverdet, må oljetømmingshullet rengjøres på følgende måte.

1. Ta kjedehjuldekslet og sagkjedet av sagen.
2. Fjern støv eller partikler ved hjelp av en sporskrutrekker eller lignende.

► **Fig.49:** 1. Sporskrutrekker 2. Oljetømminghull

3. Sett inn batteriet i maskinen. Trykk på startbryteren for å la støv og partikler renne av oljetappetullet når du tømmer ut kjedeolje.
4. Ta ut batteriinnsetningen fra verktøyet. Sett på kjedehjuldekslet og sagkjedet igjen.

Skifte kjedehjulet

⚠FORSIKTIG: Et utslitt kjedehjul vil skade sagkjedet. Skift i så fall ut kjedehjulet.

Før du monterer et nytt sagkjede, må du kontrollere tilstanden til kjedehjulet. Hvis kjedehjulet er utslitt eller skadet, kontakter du Makitas autoriserte servicesentre for å få et reservekjedehjul.

► **Fig.50:** 1. Kjedehjul 2. Områder som slites ut

Oppbevare verktøyet

1. Rengjør sagen før du legger den vekk. Fjern eventuell flis og sagmugg fra maskinen etter at du har fjernet kjedehjulbeskyttelsen.
2. Etter at du har rengjort maskinen, må du la den gå uten belastning, for å smøre sagkjedet og sverdet.
3. Dekk til sverdet med sverddekselet.
4. Tøm oljetanken.

Instruksjoner for periodisk vedlikehold

Følgende vedlikeholdsoppgaver må utføres jevnlig for å oppnå lang levetid, unngå skade og sikre full funksjon av sikkerhetsfunksjonene. Garantien gjelder kun hvis slikt arbeid utføres regelmessig og ordentlig. Hvis det ikke utføres beskrevet vedlikehold, kan det føre til ulykker! Brukeren av verktøyet må ikke utføre vedlikehold som ikke beskrives i bruksanvisningen. Alt slikt arbeid må utføres i et autorisert servicesenter.

Kontroller punkt/driftstid		Før bruk	Hver dag	Hver uke	Hver 3. måned	Årlig	Før lagring
Hele verktøyet	Kontroll.	✓	-	-	-	-	-
	Rengjøring.	-	✓	-	-	-	-
	Rådfør deg med et godkjent servicesenter.	-	-	-	-	✓	✓
Sagkjede	Kontroll.	✓	-	-	-	-	-
	Slip ved behov.	-	-	-	-	-	✓
Sverd	Kontroll.	✓	✓	-	-	-	-
	Fjern fra verktøyet.	-	-	-	-	-	✓
Smøring av kjedet	Kontroller hastigheten på oljetilførselen.	✓	-	-	-	-	-
Startbryter	Kontroll.	✓	-	-	-	-	-
AV-sperreknapp	Kontroll.	✓	-	-	-	-	-
Oljetanklokk	Kontroller strømming.	✓	-	-	-	-	-
Skuer og muttere	Kontroll.	-	-	✓	-	-	-

FEILSØKING

Inspiser utstyret selv før du bestiller reparasjon. Ikke prøv å demontere verktøyet hvis du finner et problem som ikke er forklart i brukerveiledningen. I stedet bør du ta kontakt med et av Makitas autoriserte servicesentre, som alltid bruker reservedeler fra Makita til reparasjoner.

Feilstatus	Årsak	Handling
Verktøyet starter ikke.	Batteriet er ikke satt inn.	Sett inn det ladede batteriet.
	Batteriproblem (lav spenning).	Lad batterikassetene. Hvis ladingen ikke virker, skal batterikassetten skiftes ut.
Motoren stanser etter kort tids bruk.	Batteriets ladenivå er lavt.	Lad batterikassetene. Hvis ladingen ikke virker, skal batterikassetten skiftes ut.
Ikke noe olje på kjedet.	Oljetanken er tom.	Fyll oljetanken.
	Oljesporet er skittent.	Rengjør sporet.
Verktøyet når ikke maksimalt antall omdreininger per minutt.	Batteriet er riktig satt inn.	Sett inn batterikassetene som beskrevet i denne håndboken.
	Batterieffekten minsker.	Lad batteriet. Hvis ladingen ikke virker, skal batterikassetten skiftes ut.
	Drivsystemet virker ikke slik det skal.	Spør det autoriserte servicesenteret i området om reparasjon.
Unormale vibrasjoner: Stans verktøyet umiddelbart!	Løst sagkjede eller sverd.	Juster sverdet og spennet til sagkjedet.
	Verktøyet virker ikke.	Spør det autoriserte servicesenteret i området om reparasjon.
Sagkjedet kan ikke settes på.	Kombinasjonen av sagkjede og kjedehjul er ikke riktig.	Bruk riktig kombinasjon av sagkjede og kjedehjul ved å se i delen som inneholder spesifikasjoner.

VALGFRITT TILBEHØR

⚠FORSIKTIG: Det anbefales at du bruker dette tilbehøret eller verktøyet sammen med den Makita-maskinen som er spesifisert i denne håndboken. Bruk av annet tilbehør eller verktøy kan forårsake personskader. Tilbehør og verktøy må kun brukes til det formålet det er beregnet på.

Ta kontakt med ditt lokale Makita-servicesenter hvis du trenger mer informasjon om dette tilbehøret.

- Sagkjede
- Sverd
- Sverddeksel
- Fil
- Skulderstropp
- Kjedeolje
- Kjedehjul
- Makita originalbatteri og lader

⚠ADVARSEL: Hvis du kjøper et sverd med en annen lengde enn standardsverdet, må du også kjøpe et egnet deksel for det. Det må passe og dekke sverdet på verktøyet fullt ut.

MERK: Enkelte elementer i listen kan være inkludert som standardtilbehør i verktøypakken. Elementene kan variere fra land til land.

TEKNISET TIEDOT

Malli:		DUA200
Kokonaispituus (ilman terälevyä ja lisävarustetta)		1620 mm / 2520 mm
Nimellisjännite		DC 18 V
Nettopaino	*1	3,2 kg
	*2	3,2–3,5 kg
Vakioterälevyn pituus		200 mm
Suositeltu terälevyn pituus	80TXL:n kanssa	200 mm
Käytettävän teräketjun tyyppi (katso lisätietoja allaolevasta taulukosta)		80TXL
Vakiohammaspyörä	Hampaiden määrä	7
	Nousu	0,325"
Ketjun nopeus		6,7 m/s (402 m/min)
Ketjuöljysäiliön tilavuus		55 cm ³

- Jatkuvasta tutkimus- ja kehitystyöstämme johtuen esitetyt tekniset tiedot saattavat muuttua ilman erillistä ilmoitusta.
- Tekniset ominaisuudet voivat vaihdella maittain.

*1: Paino, mukana suurin akkupaketti ja tyhjä öljysäiliö, ilman terälevyä, ketjua, olkaimia ja lisävarustetta standardin EN ISO11680-1 mukaisesti.

*2: Kevyin ja painavin laiteyhdistelmä EPTA-menettelytavan 01/2014 mukaisesti. Paino voi olla erilainen lisävarusteista sekä akkupaketista johtuen.

Käytettävä akkupaketti ja laturi

Akkupaketti	BL1815N / BL1820B / BL1830B / BL1840B / BL1850B / BL1860B
Laturi	DC18RC / DC18RD / DC18RE / DC18SD / DC18SE / DC18SF / DC18SH / DC18WC

- Tiettyjä yläpuolella kuvattuja akkuja ja latureita ei ehkä ole saatavana asuinalueestasi johtuen.

VAROITUS: Käytä vain edellä eriteltyjä akkupaketteja ja latureita. Muiden akkupakettien ja laturien käyttäminen voi aiheuttaa loukkaantumisen ja/tai tulipalon.

Suositeltu johdollinen virtalähde

Kannettava tehoyksikkö	PDC01
------------------------	-------

- Edellä luetellut johdolliset virtalähteet eivät ehkä ole saatavana asuinalueellasi.
- Lue johdollisen virtalähteen käyttöohjeet ja tutustu siinä oleviin varoitusmerkintöihin ennen sen käyttämistä.












Teräketjun, terälevyn ja hammaspyörän yhdistelmä

Teräketjun tyyppi		80TXL
Käyttölankkien määrä		38
Terälevy	Terälevyn pituus	200 mm
	Sahauspituus	185 mm
	Nousu	0,325"
	Tulkki	1,1 mm
	Tyyppi	Terälevyn kärkihammaspyörä
Hammaspyörä	Hampaiden määrä	7
	Nousu	0,325"

VAROITUS: Sopiva terälevyn ja teräketjun yhdistelmä. Muussa tapauksessa voi seurauksena olla henkilövahinkoja.

Symbolit

Laitteessa on mahdollisesti käytetty seuraavia symboleja. Opettele niiden merkitys ennen käyttöä.

	Älä altista laitetta kosteudelle.
	Lue käyttöohje.
	Käytä kypärää, suojalaseja ja kuulosuojaimia.
	Käytä suojakäsineitä.
	Käytä tukevia saappaita, joissa on luistamaton pohja. On suositeltavaa käyttää teräskärkisiä turvasaappaita.
	Varo sähkölinjoja, sähköiskujen vaara.
	Pidä etäisyys vähintään 15 m:n suuruisena.
	Sallittu maksimileikkauksipituus
	Ketjun liikesuunta
	Ketjuöljysäiliö
	Ni-MH Li-ion
	Koskee vain EU-maita Käytetyillä sähkö- ja elektroniikkalaitteilla, paristoilla ja akuilla voi olla negatiivisia ympäristö- ja terveysvaikutuksia niissä käytettyjen haitallisten osien takia. Älä hävitä sähkö- ja elektroniikkalaitteita tai akkuja kotitalousjätteen mukana! Vanhoja sähkö- ja elektroniikkalaitteita, paristoja ja akkuja koskevan EU-direktiivin ja sen perusteella laadittujen kansallisten lakien mukaan käytetyt sähkö- ja elektroniikkalaitteet, paristot ja akut on kierrätettävä toimittamalla ne erilliseen, ympäristönsuojelusäädösten mukaisesti toimivaan kierrätyspisteeseen. Tämä on ilmaistu laitteessa olevalla yllädetyn roska-astian symbolilla.



EU:n ulkona käytettävien laitteiden melupäästöjä koskevan direktiivin mukainen taattu äänitehotaso.



Australian Uuden Etelä-Walesin osavaltion melutasolainsäädännön mukainen äänitehotaso

Käyttötarkoitus

Työkalu on tarkoitettu oksiston ja oksien karsimiseen.

Melutaso

Tyypillinen A-painotettu melutaso määräytyy standardin ISO22868(ISO11680-1) mukaan:
Äänenpainetaso (L_{pA}) : 79 dB (A)
Äänen voiman taso (L_{WA}) : 87 dB (A)
Virhemarginaali (K): 3 dB (A)

HUOMAA: Ilmoitetut melutasoarvot on mitattu standarditestausten mukaisesti ja niiden avulla voidaan vertailla työkaluja keskenään.

HUOMAA: Ilmoitettuja melutasoarvoja voidaan käyttää myös altistumisen alustavaan arviointiin.

VAROITUS: Käytä kuulosuojaimia.

VAROITUS: Sähkötyökalan käytön aikana mitattu melutasoarvo voi poiketa ilmoitetuista arvoista laitteen käyttötavan ja erityisesti käsiteltävän työkappaleen mukaan.

VAROITUS: Selvitä käyttäjän suojaamiseksi tarvittavat varoimet todellisissa käyttöolosuhteissa tapahtuvan arvioidun altistumisen mukaisesti (ottaen huomioon käyttöjaksot kokonaisuudessaan, myös jaksot, joiden aikana laite on sammutettuna tai käy tyhjäkäynnillä).

Tärinä

Vasen kahva (etukahva)		Oikea kahva (takakahva)		Sovellettava standardi
ah (m/s^2)	Epävarmuustekijä K (m/s^2)	ah (m/s^2)	Epävarmuustekijä K (m/s^2)	
2,5 tai vähemmän	1,5	2,5 tai vähemmän	1,5	ISO22867(ISO11680-1)

HUOMAA: Ilmoitetut kokonaistärinäarvot on mitattu standarditestausten mukaisesti ja niiden avulla voidaan vertailla työkaluja keskenään.

HUOMAA: Ilmoitettuja kokonaistärinäarvoja voidaan käyttää myös altistumisen alustavaan arviointiin.

VAROITUS: Sähkötyökalan käytön aikana mitattu todellinen tärinäpäästöarvo voi poiketa ilmoitetuista arvoista laitteen käyttötavan ja erityisesti käsiteltävän työkappaleen mukaan.

VAROITUS: Selvitä käyttäjän suojaamiseksi tarvittavat varoimet todellisissa käyttöolosuhteissa tapahtuvan arvioidun altistumisen mukaisesti (ottaen huomioon käyttöjaksot kokonaisuudessaan, myös jaksot, joiden aikana laite on sammutettuna tai käy tyhjäkäynnillä).

Vaatimustenmukaisuusvaatimukset

Koskee vain Euroopan maita

Vaatimustenmukaisuusvakuutukset on liitetty tähän käyttöoppaaseen liitteeksi A.

TURVAVAROITUKSET

Sähkötyökalujen käyttöä koskevat yleiset varoitukset

VAROITUS Tutustu kaikkiin tämän sähkötyökalun mukana toimitettuihin turvavaroituksiin, ohjeisiin, kuviin ja teknisiin tietoihin. Seuraavassa esitettyjen ohjeiden noudattamatta jättäminen voi aiheuttaa sähköiskun, tulipalon ja/tai vakavan vamman.

Säilytä varoitukset ja ohjeet tulevaa käyttöä varten.

Varoituksissa käytettävällä termillä "sähkötyökalu" tarkoitetaan joko verkkovirtaa käyttävää (johdollista) työkalua tai akkukäyttöistä (johdotonta) työkalua.

Akkukäyttöisen oksasahan turvavaroitukset

Yleiset varoitoimenpiteet

1. Tutustu työkalun käsittelyyn lukemalla nämä käyttöohjeet ennen työkalun käynnistämistä.
2. Älä lainaa työkalua henkilölle, jolla ei ole riittävää kokemusta tai tarvittavia taitoja työkalun käsittelemiseen.
3. Anna työkalun lainajalle mukaan aina myös nämä käyttöohjeet.
4. Älä anna työkalua lasten tai alle 18-vuotiaiden käyttöön. Pidä heidät poissa työkalun läheltä.
5. Työkalua käsiteltäessä tulee olla äärimmäisen huolellinen ja varovainen.
6. Älä koskaan käytä työkalua käytettyäsi alkoholia tai huumeita tai ollessasi väsynyt tai sairas.
7. Älä koskaan yritä tehdä muutoksia työkaluun.
8. Älä käytä työkalua huonoissa sääolosuhteissa, varsinkin ukkosella salamaniskun vaaran takia. Näin voit pienentää salamaniskun riskiä.
9. Kansalliset säädökset saattavat rajoittaa työkalun käyttöä. Käytä työkalua oman maasi säädösten mukaisesti.

Henkilösuojaimet

1. Suojaa itsesi lentäviltä irtoroskilta ja putoavilta esineiltä käyttämällä kypärää, suojalaseja ja suojakäsineitä.
2. Käytä kuulonsuojaimia kuulovaurioiden estämiseksi.
3. Käytä turvallisen työskentelyn mahdollistavia kenkiä ja vaateetusta, esimerkiksi työhaalaria ja kenkiä, joissa on luistamaton pohja. Älä käytä väljiä vaatteita tai koruja. Väljät vaatteet, korut tai pitkät hiukset voivat tarttua liikkuviin osiin.

4. Käytä suojakäsineitä, kun käsittelet teräketjua tai säädät ketjun kireyttä. Teräketju voi leikata käsiä vakavasti.

Työskentelyalueen turvallisuus

1. Pidä työkalu vähintään 15 m:n etäisyydellä sähköjohdoista ja tietoliikennekaapeleista (sekä niitä koskettavista oksista). Suurjännitevoimalinjojen koskettaminen työkalulla tai työkalun viemien niiden lähelle voi johtaa kuolemaan tai vakaviin henkilövahinkoihin. Huomioi työalueella olevat sähkökaapelit ja sähköaidat ennen toiminnan käynnistämistä.
2. Käytä työkalua vain päivänvalossa ja hyvien näkyvyysolojen vallitessa. Älä käytä työkalua pimeässä tai sumussa.
3. Älä koskaan seiso epävakaalla, voimakkaasti viettävällä tai liukkaalla alustalla käytön aikana. Jos työskentelet kylmissä oloissa, varo lunta ja jäätä ja varmista aina tukeva jalansija.
4. Pidä sivulliset ja eläimet työskentelyn aikana vähintään 15 m:n etäisyydellä työkalusta. Sammuta työkalu heti, jos joku tulee tätä lähemmäs.
5. Kun työskentelet toisen tai useamman henkilön kanssa, työskennelkää vähintään 15 m:n etäisyydellä toisistanne ja käytäkää työn valvojaa.
6. Tarkista ennen käyttöä, onko työskentelyalueella lanka-aitoja, muureja tai muita kiinteitä esineitä. Ne voivat vahingoittaa teräketjua.

Valmistelu

1. Ennen kuin kokoat työkalun tai teet siihen säätöjä, sammuta työkalu ja irrota sen akkupaketti.
2. Pue suojakäsineet ennen kuin käsittelet teräketjua tai säädät ketjun kireyttä.
3. Ennen kuin käynnistät työkalun, tarkista, ettei siinä ole vaurioita tai löystyneitä ruuveja/muttereita tai ettei sitä ole koottu virheellisesti. Teroita tylsä teräketju. Jos teräketju on vääntynyt tai vaurioitunut, vaihda se. Tarkista, että kaikki säätimet ja kytkimet toimivat kevyesti. Puhdista ja kuivaa otepinnat.
4. Älä koskaan yritä käynnistää työkalua, jos se on vaurioitunut tai puutteellisesti koottu. Muuten se voi aiheuttaa vakavia vammoja.
5. Säädä olkaimet käyttäjän koon mukaan.
6. Säädä ketjun kireys sopivaksi. Lisää ketjuöljyä tarvittaessa.

Työkalun käynnistäminen

1. Pue suojavausteet päälle ennen työkalun käynnistämistä.
2. Varmista ennen työkalun käynnistämistä, ettei työskentelyalueella ole muita henkilöitä tai eläimiä.
3. Kun asetat akkupaketin paikalleen, älä anna teräketjun ja terälevyn koskettaa itseäsi, mitään esinettä tai maata. Teräketju voi liikkua käynnistyksen aikana, mikä voi aiheuttaa vakavia vammoja tai vaurioittaa teräketjua ja/tai muuta omaisuutta.

4. Aseta työkalu tasaiselle alustalle. Seiso tukevasti ja hyvässä tasapainossa.

Käyttö

1. Häätätilanteessa sammuta työkalu välittömästi.
2. Jos havaitset käytön aikana epätavallisia oireita (esim. outoja ääniä tai tärinää), sammuta työkalu. Älä käytä työkalua, ennen kuin syy on selvitetty ja korjattu.
3. Teräketjun liike jatkuu hetken aikaa työkalun sammuttamisen jälkeen. Älä kosketa teräketjua liian aikaisin.
4. Käytä oikeimia käytön aikana. Kannattele työkalua tukevasti oikealla puolellasi.
5. Pidä etukahvasta kiinni vasemmalla kädelläsi ja takakahvasta oikealla kädelläsi siitä riippumatta oletko oikea- vai vasenkätinen. Kierrä sormesi tartuntapintojen ympärillä.
6. Pitele työkalua vain sen eristetyistä tartuntapinnoista, sillä teräketju saattaa osua piilossa oleviin johtoihin. Jos teräketju osuu jännitteeseen johtoon, jännite voi siirtyä varrellisen karsimen sähköä johtaviin metalliosiin ja aiheuttaa käyttäjälle sähköiskun.
7. Älä koskaan yritä käyttää työkalua yhdellä kädellä. Hallinnan menetys voi aiheuttaa vakavia tai hengenvaarallisia vammoja. Voit vähentää vammojen riskiä pitämällä kädet ja jalat kaukana teräketjusta.
8. Älä ylikurkottele. Seiso tukevassa asennossa ja säilytä tasapainosi koko työn ajan. Varo piilossa olevia, kompastumisvaaran aiheuttavia esteitä, kuten kantoja, juuria ja oja. Poista pudonneet oksat ja muut esineet pois tieltä.
9. Älä koskaan työskentele tikkailla tai puussa, sillä se voi aiheuttaa hallinnan menetyksen.
10. Jos työkaluun kohdistuu voimakas isku tai se putoaa, tarkista sen kunto ennen työn jatkamista. Jos on syytä epäillä vaurioita, järjestä tarkistus ja korjaus valtuutetussa Makita-huoltoliikkeessä.
11. Älä kosketa työkalun päätä. Työkalun pää kuumenee erittäin kuumaksi käytön aikana.
12. Pidä lepotaukoja, jotta et menetä hallintaa väsymyksen takia. On suositeltavaa pitää tunnin välein 10–20 minuutin tauko.
13. Jos jätät työkalun vartioimatta vaikka vain lyhyeksi ajaksi, sammuta aina työkalu ja irrota akkupaketti. Jos työkalu jätetään käyntiin ja vartioimatta, asiattomat henkilöt voivat käyttää sitä ja aiheuttaa vakavan onnettomuuden.
14. Kun käytät työkalua, älä nosta oikeaa kättäsi olkalinjaasi korkeammalle.
15. Älä koskaan käytön aikana kosketa teräketjulla kovia esteitä, kuten kiviä tai nauloja. Ole erityisen varovainen, kun leikkaat muurien, lanka-aitojen ja vastaavien kohteiden vieressä olevia oksia.
16. Jos työkaluun tarttuu oksia, sammuta aina työkalu ja irrota akkupaketti. Muutoin tahaton käynnistyminen voi aiheuttaa vakavia henkilövahinkoja.
17. Jos teräketju tukkeutuu, sammuta aina työkalu ja irrota akkupaketti ennen tukosten puhdistamista.

18. Varmista ennen oksan leikkaamista, että pääset tarvittaessa pois putoavan oksan tieltä. Poista ensin työskentelyalueelta esteet, kuten irto-oksat ja oksisto. Siirrä kaikki työkalu ja esineet pois tieltä, jotta pääset siirtymään turvalliseseen paikkaan tarvittaessa.
19. Arvioi ennen oksiston ja oksien leikkaamista, mihin suuntaan ne putoavat, missä kunnossa oksisto ja oksat ovat ja miten vieressä olevat puut, tuulensuunta jne. vaikuttavat. Huomioi erityisesti putoamissuunta ja maahan osuvan oksiston mahdollinen ponnahdus.
20. Älä koskaan pidä työkalu yli 60 °n kulmassa. Muutoin putoavat esineet voivat osua käyttäjään ja aiheuttaa vakavia vammoja. Älä koskaan seiso leikkattavan oksan alapuolella.
21. Kiinnitä huomioita katkenneisiin ja taipuneisiin oksiin. Ne saattavat ponnahtaa takaisinpäin leikkattaessa ja aiheuttaa odottamattomia vammoja.
22. Ennen kuin leikkaat katkaistavaksi aiotun oksan, poista sitä ympäröivät oksista ja lehvästö. Muutoin teräketju voi jäädä kiinni niihin.
23. Estä teräketjun jääminen kiinni leikkausuraan vapauttamalla vipu vasta, kun teräketju on ulkona leikkausurasta.
24. Jos teräketju jää kiinni leikkausuraan, pysäytä työkalu välittömästi ja vapauta teräketju liikuttamalla oksaa niin, että leikkausura laajenee.
25. Vältä takapotkuja (käyttäjään suuntautuvaa liikesuunnan vastavoimaa). Älä koskaan käytä leikkaamiseen terälevyn kärkeä tai tee puhkaisuleikkauksia, sillä ne voivat aiheuttaa takapotkuja. Tarkkaile aina terälevyn kärjen sijaintia.
26. Tarkista ketjun kireys säännöllisesti. Kun tarkistat teräketjun kireyttä tai säädät sitä, sammuta työkalu ja irrota sen akkupaketti. Jos kireys ei ole riittävä, kiristä sitä.

Tärinä

1. Voimakkaalle tärinälle altistuminen vahingoittaa käyttäjän verisuonia ja hermostoa ja aiheuttaa seuraavia oireita sormissa, käsissä ja ranteissa: tunnottomuutta, pistelevää kipua, pistoksia tai ihonvärin tai ihon muutoksia. Jos tällaisia oireita ilmenee, hakeudu lääkärin hoitoon. Voit pienentää valkosormisuussyndrooman riskiä pitämällä kätesi lämpiminä käytön aikana ja huolehtimalla siitä, että työkalu ja sen lisävarusteet ovat kunnossa. Noudata käyttöajan suhteen paikallisia määräyksiä tai lääkärin ohjeita.

Kuljetus

1. Ennen kuin siirrät työkalua, sammuta työkalu ja irrota sen akkupaketti. Asenna aina terälevyn suojus paikalleen kuljetuksen ajaksi.
2. Kuljeta työkalua vaakasuurassa asennossa varresta kiinni pitämällä.

Huolto

1. Huollata työkalu vain valtuutetussa huolto- liikkeessämme ja käytä aina vain alkuperäisiä vaihto-osia. Virheelliset korjaukset ja huono kunnossapito voivat lyhentää työkalun käyttöikää ja lisätä tapaturmien vaaraa.

- Ennen kuin teet työkalulle huolto- tai korjaus-toimia tai puhdistat sen, sammuta aina työkalu ja irrota sen akkupaketti. Odota, että työkalu jäähtyy.
- Käytä aina suojakäsineitä, kun käsittelet teräketjua.
- Kiristä jokaisen käytön jälkeen kaikki ruuvit ja mutterit säätöruuveja lukuun ottamatta.
- Pidä teräketju terävänä. Jos teräketju on tylsistynyt tai sen leikkuuteho on heikko, teroituta se tai vaihdata se uuteen valtuutetussa Makita-huoltoliikkeessä.
- Älä yritä tehdä itse mitään huolto- ja korjaus-toita, joista ei ole ohjeistettu näissä käyttö-ohjeissa. Järjestä tällaiset työt valtuutetussa Makita-huoltoliikkeessä.
- Käytä aina pelkästään aitoja Makita-varaosia ja -lisävarusteita. Muiden valmistajien varaosien tai lisävarusteiden käyttäminen voi aiheuttaa työkalun hajoamisen, aineellisia vahinkoja ja/tai vakavia vammoja.

Varastoiminen

- Ennen kuin asetat työkalun säilytykseen, suorita perusteellinen puhdistus ja huolto. Aseta terälevyn suojus paikalleen. Irrota akkupaketti. Valuta ketjuöljy ulos, kun työkalu on jäähtynyt.
- Säilytä työkalua hyvin tuuletetussa paikassa, joka on riittävän korkealla tai lukittu, jotta lapset eivät pääse siihen käsiin.
- Älä tue työkalua esimerkiksi seinää vasten. Muutoin se voi kaatua ja aiheuttaa vammoja.

Sähköturvallisuus ja akku

- Älä hävitä akkuja polttamalla. Akkukenko voi räjähtää. Tarkista, onko paikallisissa määräyksissä erityisiä laitteita koskevia hävitysohjeita.
- Älä avaa tai riko akkuja. Akusta mahdollisesti vuotava elektrolyytti on syövyttävää ja saattaa vaurioittaa ihoa tai silmiä. Se saattaa olla myrkyllistä nieltynä.
- Älä lataa akkua sateessa tai kosteissa olosuhteissa.
- Älä lataa akkua ulkona.
- Älä käsittele laturia tai sen liitinosaa ja latausliittimiä märin käsin.
- Vältä vaarallisia ympäristöjä. Älä käytä työkalua kosteissa tai märissä paikoissa äläkä altista sitä sateelle. Työkalun sisään päässyt vesi lisää sähköiskun vaaraa.

SÄILYTÄ NÄMÄ OHJEET.

VAROITUS: ÄLÄ anna työkalun helppokäyttöisyyden (toistuvan käytön aikaansaama) johtaa sinua väärään turvallisuudentunteeseen niin, että laiminlyöt työkalun turvaohjeiden noudattamisen. VÄÄRINKÄYTTÖ tai tässä käyttöohjeessa ilmoitettujen turvamääräysten laiminlyönti voi aiheuttaa vakavia henkilövahinkoja.

Akkupakettia koskevia tärkeitä turvaohjeita

- Ennen akun käyttöönottoa tutustu kaikkiin laturissa (1), akussa (2) ja akkukäyttöisessä tuotteessa (3) oleviin varoitusteksteihin.
- Älä pura tai peukaloi imuria akkupakettia. Se voi johtaa tulipaloon, ylikuumentumiseen tai räjähdykseen.
- Jos akun toiminta-aika lyhenee merkittävästi, lopeta akun käyttö. Seurauksena voi olla ylikuumentuminen, palovammoja tai jopa räjähdys.
- Jos akkuneustettua pääsee silmiin, huuhtelee puhtaalla vedellä ja hakeudu välittömästi lääkärin hoitoon. Akkuneuste voi aiheuttaa näön menetyksen.
- Älä oikosulje akkua.
 - Älä koske akun napoihin millään sähköä johtavalla materiaalilla.
 - Vältä akun oikosulkemista äläkä säilytä akkua yhdessä muiden metalliesineiden, kuten naulojen, kolikoiden ja niin edelleen kanssa.
 - Älä aseta akkua alttiiksi vedelle tai sateelle.
 Oikosulku voi aiheuttaa virtapiikin, ylikuumentumista, palovammoja tai laitteen rikkoontumisen.
- Älä säilytä ja käytä työkalua ja akkupakettia paikassa, jossa lämpötila voi nousta 50 °C:een (122 °F) tai korkeammaksi.
- Älä hävitä akkua polttamalla, vaikka se olisi pahoin vaurioitunut tai täysin loppuun kulunut. Avotuli voi aiheuttaa akun räjähtämisen.
- Älä naulaa, leikkaa, purista, heitä tai pudota akkupakettia tai iske sitä kovia esineitä vasten. Tällaiset toimet voivat johtaa tulipaloon, ylikuumentumiseen tai räjähdykseen.
- Älä käytä viallista akkua.
- Sisältyviä litium-ioni-akkuja koskevat vaarallisten aineiden lainsäädännön vaatimukset. Esimerkiksi kolmansien osapuolten huolintaliikkeiden tulee kaupallisissa kuljetuksissa noudattaa pakkaamista ja merkintöjä koskevia erityisvaatimuksia. Lähettävän tuotteen valmistelu edellyttää vaarallisten aineiden asiantuntijan neuvontaa. Huomioi myös mahdollisesti yksityiskohtaisemmat kansalliset määräykset. Akun avoimet liittimet tulee suojata teipillä tai suojuksella ja pakkaaminen tulee tehdä niin, ettei akku voi liikkua pakkauksessa.
- Kun akkupaketti on hävitettävä, poista se laitteesta ja hävitä se turvallisesti. Hävitä akku paikallisten määräysten mukaisesti.
- Käytä akkuja vain Makitan ilmoittamien tuotteiden kanssa. Akkujen asentaminen yhteensopimattomiin tuotteisiin voi aiheuttaa tulipaloon, liiallisen ylikuumentumisen, räjähdysriskin tai akkuneustevuotoja.
- Jos laitetta ei käytetä pitkään aikaan, akku on poistettava laitteesta.

14. Akkupaketin lämpötila voi käytön aikana ja sen jälkeen nousta niin kuumaksi, että se voi aiheuttaa palovammoja tai lieviä palovammoja. Käsittele kuumia akkupaketteja huolellisesti.
15. Älä kosketa työkalun liitintä välittömästi käytön jälkeen, sillä se voi olla riittävän kuuma aiheuttamaan palovammoja.
16. Älä päästä lastuja, pölyä tai maata akkupaketin liittämiin, aukkoihin ja uriin. Se voi johtaa työkalun tai akkupaketin lämpenemiseen, syttymiseen, purkautumiseen tai toimintahäiriöön, mikä voi aiheuttaa palovammoja tai vammoja.
17. Ellei työkalu tue käyttöä korkeajännitelinjojen lähellä, älä käytä akkupakettia korkeajännitelinjojen lähellä. Se voi johtaa työkalun tai akkupaketin toimintahäiriöön tai rikkoutumiseen.
18. Pidä akku poissa lasten ulottuvilta.

SÄILYTÄ NÄMÄ OHJEET.

▲HUOMIO: Käytä vain alkuperäisiä Makita-akkuja. Muiden kuin aitojen Makita-akkujen, tai mahdollisesti muutettujen akkujen käyttö voi johtaa akun murtumiseen ja aiheuttaa tulipaloja, henkilö- ja omaisuusvahinkoja. Se mitätöi myös Makita-työkalun ja -laturin Makita-takuun.

Vihjeitä akun käyttöön pidentämiseksi

1. Lataa akku ennen kuin se purkautuu täysin. Lopeta aina työkalun käyttö ja lataa akku, jos huomaat työkalun tehon vähenevän.
2. Älä koskaan lataa uudestaan täysin ladattua akkua. Ylilataaminen lyhentää akun käyttöikää.
3. Lataa akku huoneen lämpötilassa välillä 10 °C - 40 °C. Anna kuuman akun jäähtyä ennen lataamista.
4. Irrota akkupaketti työkalusta tai laturista, kun sitä ei käytetä.
5. Lataa akkupaketti, jos et käytä sitä pitkään aikaan (yli kuusi kuukautta).

OSIEN KUVAUS

► Kuva1

1	Kahvamuoduli	2	Keskijatkovarsi	3	Sahan kärkiosamuoduli
4	Ripustin	5	Lukituksen vapautuspainike	6	Akkupaketti
7	Liipaisinkytkin	8	Takakahva	9	Teräketju
10	Terälevy	11	Öljysäiliön korkki	12	Vipu
13	Kärkiosan kulman säätöpainike	14	Terälevyn suojuus	15	Etukahva

TOIMINTOJEN KUVAUS

▲HUOMIO: Varmista aina ennen säätöjä ja tarkastuksia, että työkalu on sammutettu ja akkupaketti irrotettu.

Akun asentaminen tai irrottaminen

▲HUOMIO: Sammuta työkalu aina ennen akun kiinnittämistä tai irrottamista.

▲HUOMIO: Pidä työkalusta ja akusta tiukasti kiinni, kun irrotat tai kiinnität akkua. Jos akkupaketti tai työkalu putoaa, ne voivat vaurioitua tai aiheuttaa tapaturman.

Akkupaketti asetetaan paikalleen sovittamalla akkupaketin kieleke rungon uraan ja työntämällä se sitten paikalleen. Työnnä se pohjaan asti niin, että kuulet sen napsahdavan paikoilleen. Jos näet kuvan mukaisen punaisen ilmaisimen, lukitus ei ole täysin pitävä.

Irrota akku painamalla akun etupuolella olevaa painiketta ja vetämällä akku ulos työkalusta.

► **Kuva2:** 1. Punainen ilmaisim 2. Painike 3. Akkupaketti

▲HUOMIO: Työnnä akkupaketti aina pohjaan asti, niin että punainen ilmaisim ei enää näy. Jos akkupaketti ei ole kunnolla paikallaan, se voi pudota työkalusta ja aiheuttaa vammoja joko sinulle tai sivullisille.

▲HUOMIO: Älä käytä voimaa akun asennuksessa. Jos akku ei liu'u paikalleen helposti, se on väärässä asennossa.

Akun jäljellä olevan varaustason ilmaisim

Vain akkupaketeille ilmaisimella

Painamalla tarkistuspainiketta saat näkyviin akun jäljellä olevan varauksen. Merkkivalot palavat muutaman sekunnin ajan.

► **Kuva3:** 1. Merkkivalot 2. Tarkistuspainike

Merkkivalot			Akussa jäljellä olevan varaus
Palaa	Pois päältä	Viikkuu	
			75% - 100%
			Lataa akku.
			Akussa on saattanut olla toimintahäiriö.

HUOMAA: Ilmoitettu varaustaso voi erota hieman todellisesta varaustasosta sen mukaan, millaisissa oloissa ja missä lämpötilassa laitetta käytetään.

HUOMAA: Ensimmäinen (vasemmanpuoleisin) merkkivalo viikkuu, kun akun suojausjärjestelmä on toiminnassa.

Työkalun/akun suojausjärjestelmä

Työkalu on varustettu työkalu/akun suojausjärjestelmällä. Tämä järjestelmä pidentää työkalun ja akun käyttöikää katkaisemalla automaattisesti moottorin virran. Työkalu pysähtyy automaattisesti kesken käytön, jos työkalussa tai akussa ilmenee jokin seuraavista tilanteista:

Ylikuormitusuoja

Kun akkua käytetään tavalla, joka saa sen kuluttamaan epätavallisen paljon virtaa, työkalu pysähtyy automaattisesti. Lopeta tällöin vapauttamalla liipaisinkytkin ja vältä ylikuormitustilan aiheuttanutta käyttöä. Käynnistä sitten työkalu uudelleen painamalla lukituksen vapautuspainiketta ja vetämällä liipaisinkytkintä.

Ylikuumenemissuoja

Kun työkalu tai akku ylikuumentaa, työkalu pysähtyy automaattisesti. Anna tällöin työkalun ja akun jäähtyä, ennen kuin käynnistät työkalun uudelleen.

HUOMAA: Jos lämpötila on korkea, ylikuumenemissuoja kytkeytyy päälle ja työkalu pysähtyy automaattisesti.

Ylipurkautumissuoja

Jos akkukapasiteetti ei riitä, työkalu pysähtyy automaattisesti. Irrota tällöin akku työkalusta ja lataa akku.

Kytkimen käyttäminen

VAROITUS: Käyttäjän turvallisuuden vuoksi työkalussa on lukituksen vapautuspainike, joka estää työkalun käynnistämisen vahingossa. **ÄLÄ KOSKAAN** käytä työkalua, jos se käynnistyy pelkästään liipaisinkytkintä painamalla ilman, että lukituksen vapautuspainiketta painetaan. Toimita työkalu valtuutettuun huoltoon korjattavaksi **ENNEN** käytön jatkamista.

VAROITUS: ÄLÄ koskaan teippaa tai ohita lukituksen vapautusvipua.

HUOMIO: Tarkista aina ennen akkupaketin asettamista työkaluun, että liipaisinkytkin kytkeytyy oikein ja palaa ”OFF”-asentoon, kun se vapautetaan.

HUOMAUTUS: Älä vedä liipaisinkytkintä voimakkaasti painamatta samalla lukituksen vapautusvipua. Kytkin voi rikkoutua.

Työkalussa on lukituksen vapautuspainike, joka estää liipaisinkytkimen painamisen vahingossa. Käynnistä työkalu painamalla lukituksen vapautuspainiketta ja sitten liipaisinkytkintä. Pysäytä vapauttamalla liipaisinkytkin.

► **Kuva4:** 1. Liipaisinkytkin 2. Lukituksen vapautuspainike

Sähköinen toiminta

Laitte on varustettu sähköisillä toimintoilla helppokäyttöisyyttä ajatellen.

- Sähköjarru
Työkalussa on sähköjarru. Jos työkalu ei toistuvasti pysähdy nopeasti liipaisinkytkimen vapauttamisen jälkeen, vie se huollettavaksi Makitan huoltopalveluun.

KOKOONPANO

VAROITUS: Älä koskaan kiinnitä kahta tai useampaa jatkovartta. Muutoin hallinnan menetys voi aiheuttaa vakavan vamman.

HUOMIO: Varmista aina ennen mitään työkalulle tehtäviä toimenpiteitä, että akkupaketti on irrotettu.

HUOMIO: Älä koske teräketjuun paljain käsin. Käytä aina suojakäsineitä, kun käsittelet terää.

Moduulien kokoaminen

⚠HUOMIO: Kun kokoat sahan karkiosamoduulia, keskijatkovartta ja kahvamoduulia, aseta moduulit maahan. Jos moduuli kootaan pysty-asennossa, se saattaa pudota ja osua lähellä oleviin esineisiin tai ihmisiin ja aiheuttaa onnettomuuden tai vamman.

⚠HUOMIO: Varmista aina, että holkki kierretään loppuun asti. Jos holkkia ei kiristetä loppuun asti, kokoonpanot saattavat irrota aiheuttaen henkilövahingon.

- **Kuva5:** 1. Sahan karkiosamoduuli
2. Keskijatkovarsi 3. Kahvamoduuli

1. Kohdista moduulien kolmiomerkit ja aseta ne sisäkkäin.

Kieleke sopii uraan.

- **Kuva6:** 1. Kolmiomerkki 2. Kieleke 3. Ura

2. Liu'uta holkki kierteisiin ja kierrä sitä myötäpäivään, kunnes se pysähtyy.

Kierteiden pään tulee olla täysin holkin peitossa kuvan mukaisesti.

- **Kuva7:** 1. Holkki

Työkalun lyhentäminen

Jos haluat lyhentää työkalua, yhdistä sahan karkiosamoduuli ja kahvamoduuli suoraan ilman keskijatkovartta kuvan mukaisesti.

- **Kuva8:** 1. Sahan karkiosamoduuli 2. Kahvamoduuli

Teräketjun irrotus ja asennus

⚠HUOMIO: Teräketju ja terälevy ovat käytön jälkeen kuumia. Anna niiden jäähtyä riittävästi, ennen kuin teet työkalulle mitään huoltotoimenpiteitä.

⚠HUOMIO: Kiinnitä ja irrota ketju puhtaassa tilassa, jossa ei ole sahanpurua tms.

Teräketjun irrottaminen

Irrota ketju toimimalla seuraavasti:

1. Vedä vipu ylös.

- **Kuva9:** 1. Vipu

2. Käännä vipua vastapäivään, kunnes hammaspyörän kotelo irtoaa.

- **Kuva10:** 1. Vipu 2. Hammaspyörän kotelo

3. Irrota hammaspyörän kotelo ja irrota sitten teräketju ja terälevy työkalun rungosta.

Teräketjun asentaminen

Kiinnitä ketju toimimalla seuraavasti:

1. Vedä vipu ylös.

- **Kuva11:** 1. Vipu

2. Käännä vipua vastapäivään, kunnes hammaspyörän kotelo irtoaa.

- **Kuva12:** 1. Vipu 2. Hammaspyörän kotelo

3. Irrota hammaspyörän kotelo.

4. Kohdista terälevyn reikä työkalun rungon tappiin ja aseta sitten terälevy kuvan mukaisesti.

- **Kuva13:** 1. Terälevy 2. Reikä 3. Tappi

5. Lukitse tappi liu'uttamalla terälevyä kohti hammaspyörää.

- **Kuva14:** 1. Terälevy 2. Tappi

6. Irrota terälevy työkalun rungosta.

7. Tarkista teräketjun suunta. Sovita teräketjun suunta työkalun rungossa olevan merkin mukaiseksi.

- **Kuva15:** 1. Työkalun rungossa oleva merkki

8. Aseta teräketju toinen pää terälevylle.

9. Aseta teräketjun toinen pää hammaspyörän ympärille, kiinnitä sitten terälevy työkalun runkoon niin, että terälevyn reikä on kohdistettu ketjusahan rungossa olevaan tappiin.

- **Kuva16:** 1. Hammaspyörä

Vapauta tappi painamalla terälevyä vasten työkalun runkoa. Teräketjun kireys säädetään automaattisesti.

- **Kuva17:** 1. Teräketju 2. Tappi 3. Hammaspyörä

10. Aseta hammaspyörän kotelo niin, että työkalun rungon pultti ja tappi kohtaavat vastineensa hammaspyörän kotelossa.

- **Kuva18:** 1. Hammaspyörän kotelo 2. Pultti 3. Tappi

11. Käännä vipua myötäpäivään ja kiristä kunnolla, kunnes hammaspyörän kotelo on kiinnitetty, ja palauta se sitten alkuperäiseen asentoon.

- **Kuva19:** 1. Vipu 2. Hammaspyörän kotelo

Varmista, että teräketjun käyttölinkki on kunnolla hammaspyörässä ja että teräketju on kunnolla terälevyn kiskourassa.

Varmista, että teräketju ei ole löysällä ja että sitä voidaan liikuttaa pehmeästi edestakaisin. Säädä tarvittaessa teräketjun kireyttä noudattamalla ketjunkireyden säätöä koskevassa kohdassa esitettyjä ohjeita.

Ketjunkireyden säätö

⚠HUOMIO: Jos ketju on liian löysällä, se voi hypätä pois terälevystä ja aiheuttaa siten onnettomuuden ja vammoja.

Ketju voi löystyä usean tunnin käytön jälkeen. Tarkista ketjun kireys ennen käyttöä.

Jos teräketju on löystynyt, säädä sen kireys.

1. Vedä vipu ylös.

- **Kuva20:** 1. Vipu

2. Käännä vipua vähän vastapäivään, jotta hammaspyörän kotelo löystyy hieman. Ketjun kireys säädetään automaattisesti.

- **Kuva21:** 1. Vipu 2. Hammaspyörän kotelo

3. Käännä vipua myötäpäivään ja kiristä kunnolla, kunnes hammaspyörän kotelo on kiinnitetty, ja palauta se sitten alkuperäiseen asentoon.

- **Kuva22:** 1. Vipu 2. Hammaspyörän kotelo

Kärkiosan kulman säätäminen

⚠HUOMIO: Kun säädät kärkiosan kulmaa, kiinnitä terälevyn suojus vammojen välttämiseksi.

⚠HUOMIO: Varo, etteivät sormesi jää kärkiosan ja varren väliin.

Kärkiosa voidaan säätää 9 kulmaan. Noudata näitä ohjeita:

1. Pidä työkalusta kiinni kuvan mukaisella tavalla ja säädä kärkiosa haluamaasi kulmaan painamalla samalla kärkiosan kulman säätöpainiketta.
▶ **Kuva23:** 1. Kärkiosan kulman säätöpainike
2. Kärkiosa
2. Vapauta kärkiosan kulman säätöpainike ja varmista, että se palaa alkuperäiseen asentoonsa.

HUOMAUTUS: Jos kärkiosan kulman säätöpainike ei palaa alkuperäiseen asentoonsa, liikuta kärkiosaa hieman, kunnes se napsahtaa paikalleen.

HUOMAUTUS: Varmista ennen käyttöä, että kärkiosa on kiinnitetty kunnolla.

TYÖSKENTELY

Voitelu

HUOMAUTUS: Kun täytät sahan öljysäiliötä ensimmäistä kertaa tai kun lisäät öljyä täysin tyhjenneeseen säiliöön, lisää öljyä täyttökauan alareunaan asti. Muutoin öljyn syötössä voi esiintyä häiriöitä.

HUOMAUTUS: Käytä Makita-teräketjuöljyjä tai muita vastaavia myynnissä olevia teräketjuöljyjä.

HUOMAUTUS: Älä käytä öljyä, jossa on likaa tai roskia tai haihtuvia öljyjä.

HUOMAUTUS: Käytä puiden oksia karsiessasi kasviöljyä. Mineraliöljyt voivat vahingoittaa puita.

HUOMAUTUS: Varmista, että öljysäiliön korkki on paikallaan, ennen kuin aloitat sahaamisen.

Teräketju voidellaan automaattisesti, kun työkalua käytetään. Tarkista öljysäiliössä jäljellä olevan öljyn määrä säännöllisesti.

▶ **Kuva24:** 1. Öljysäiliö

Kun säiliö täytyy täyttää, aseta työkalu tasaiselle pinnalle ja kierrä öljysäiliön korkki irti.

Oikea määrä öljyä on 55 cm³. Kun säiliö on täytetty, varmista, että öljysäiliön korkki on kunnolla kiinni.

▶ **Kuva25:** 1. Öljysäiliön korkki 2. Öljysäiliö (läpinäkyvä)

Pidä työkalu poissa puun läheltä täytön jälkeen.

Käynnistä se ja odota, kunnes teräketju on voideltu kunnolla.

▶ **Kuva26**

Olkahihnan kiinnittäminen

⚠HUOMIO: Kun käytät työkalua repputyypin virtalähteen, kuten kannettavan tehoyksikön kanssa, älä käytä työkalun tuotepaketissa toimitettuja olkaimia vaan Makitan suosittelemaa ripustushihnaa.

Jos käytät työkalun tuotepaketissa toimitettuja olkaimia ja repputyypin virtalähteen olkaimia samanaikaisesti, se vaikeuttaa työkalun tai repputyypin virtalähteen irrottamista hätätilanteessa ja voi aiheuttaa onnettomuuden tai vammoja. Ripustushihnasuosituksen voi tarkistaa valtuutetuista Makita-huoltoilikeistä.

⚠HUOMIO: Käytä työkalua aina olkahihnan varassa. Säädä ennen käyttöä olkahihna itsellesi sopivaan pituuteen, jotta et väsy työkalua käyttäessäsi.

⚠HUOMIO: Varmista ennen käyttöä, että olkahihna on kiinnitetty oikein työkalun ripustimeen.

⚠HUOMIO: Varmista ennen käyttöä, että olkaimien solki on kiinnitetty pitävästi.

⚠HUOMIO: Käytä aina tälle työkalulle tarkoitettuja olkaimia. Älä käytä muita olkaimia.

1. Aseta olkahihna vasemman olkapääsi varaan.
▶ **Kuva27**
2. Kiinnitä olkahihnan koukku työkalun ripustimeen.
▶ **Kuva28:** 1. Koukku 2. Ripustin
3. Säädä olkahihna niin, että työasento on mukava.
▶ **Kuva29**

Olkahihnassa on pikairrotustoiminto.

Voit irrottaa työkalun olkahihnasta painamalla soljen reunoja.

▶ **Kuva30:** 1. Solki

Työkalun käyttäminen

⚠HUOMIO: Pidä kaikki rungon osat loitolla ketjusta moottorin ollessa käynnissä.

⚠HUOMIO: Pidä työkalusta tukevasti kiinni molemmin käsin, kun moottori on käynnissä.

⚠HUOMIO: Älä kurkota. Seiso tukevassa asennossa ja säilytä tasapainosi.

⚠HUOMIO: Kun leikkaat oksia poikki, varo menettämästä tasapainoasi työkalun pään painon takia.

⚠HUOMIO: Varmista aina, että pääset tarvittaessa pois käyttäjää kohti putoavan leikatun oksan tieltä.

⚠HUOMIO: Älä koskaan käytä leikkaamiseen terälevyn kärkeä. Muutoin seurauksena voi olla vaarallinen takapotku, joka saattaa aiheuttaa henkilövahinkoja.

HUOMAUTUS: Älä koskaan heitä tai pudota työkalua.

HUOMAUTUS: Älä peitä työkalun ilmanvaihtoaukkoja.

HUOMAUTUS: Älä käytä tarpeetonta voimaa. Muutoin työkalu voi vaurioitua.

Seiso vakaalla alustalla ja pidä työkalu pois oksien luota niin, että työkalun kulma maanpinnasta on enintään 60°.

► **Kuva31:** 1. Enintään 60°

Käynnistä työkalu ja paina sitten teräketjua kevyesti oksaa vasten.

Kun leikkaat pitkiä oksia, leikkaa se osissa kärjestä alkaen, niin voit hallita oksankappaleiden putoamista paremmin. Tarkkaile putoavia oksia, sillä ne saattaa ponnahtaa maahan osuessaan käyttäjää kohti.

► **Kuva32**

Kun leikkaat paksuja oksia, tee ensin pintapuolinen lavi alaosaan ja tee sitten loppuleikkaus ylhäältä päin.

► **Kuva33**

Jos yrität leikata paksuja oksia alhaalta päin, oksa saattaa sulkeutua ja puristaa teräketjun kiinni leikkausuraan. Jos yrität leikata paksuja oksia ylhäältä päin ilman, että teet pintapuolista lovea alhaalta päin, oksa saattaa haljeta.

► **Kuva34**

Koneen kantaminen

Irrota aina akkupaketit työkalusta ja kiinnitä terälevyn suojuus ennen työkalun kantamista. Peitä myös akkupaketit sen kannella.

Älä kosketa liipaisinkytkintä, kun kannat työkalua.

► **Kuva35:** 1. Terälevyn suojuus 2. Akun suojuus

Työkalun käyttö kannettavan tehoyksikön kanssa

Lisävaruste

Käytä ripustushihnaa, kun käytät työkalua kannettavan tehoyksikön kanssa.

Ripustushinnan kiinnittäminen

1. Kiinnitä ripustushinnan ripustuskoukut olkaimien tai lantiovyön renkaisiin kuvan mukaisesti. Valitse hihnan tyyppi ja kiinnitysmenetelmä käytön mukaan.

► **Kuva36:** 1. Rengas 2. Ripustuskoukku

► **Kuva37:** 1. Rengas 2. Ripustuskoukku

2. Kiinnitä ripustuskoukku työkaluun.

► **Kuva38:** 1. Ripustuskoukku

Työkalun irrottaminen

Kun asetat työkalun maahan, avaa ripustushinnan solki toisella kädellä ja pidä samalla toisella kädellä kiinni työkalusta.

► **Kuva39:** 1. Solki

HUOMAA: Kaikissa hihnoissa ei ole välttämättä solkea.

Toimi seuraavien ohjeiden mukaan, jos työkalu on vapautettava nopeasti.

1. Avaa lantiovyön solki painamalla sen vipuja.

► **Kuva40:** 1. Solki 2. Vipu

2. Vapauta työkalu ja yksikkö sujauttamalla olkaimet pois olkapäiltä.

► **Kuva41:** 1. Olkaimet

KUNNOSSAPITO

▲HUOMIO: Varmista aina ennen tarkastusta tai huoltoa, että työkalu on sammutettu ja akku irrotettu.

▲HUOMIO: Käytä aina suojakäsineitä, kun tarkastat laitetta tai teet huoltotyötä.

HUOMAUTUS: Älä koskaan käytä bensiiniä, ohenteita, alkoholia tai tms. aineita. Muutoin pinta voi halkeilla tai sen värit ja muoto voivat muuttua. Muutoin laitteeseen voi tulla värjäytyksiä, muodon vääristymiä tai halkeamia.

Tuotteen TURVALLISUUDEN ja LUOTETTAVUUDEN takaamiseksi korjaukset, muut huoltotyöt ja säädöt on teetettävä Makitan valtuutetussa huoltopisteessä Makitan varaosia käyttäen.

Ketjun teroitus

Teroita ketju, kun:

- Kosteaa puuta sahatessa syntyy jauhomaista sahajauhoa;
- Ketju tunkeutuu puuhun heikosti, vaikka sahaa painettaisiin voimakkaasti;
- Leikkuureuna on selvästi vaurioitunut;
- Saha vetää puussa vasemmalle tai oikealle. (tähän on syyinä ketjun epätasainen teroitus tai toisen puolen vaurioituminen)

Teroita ketju säännöllisesti, mutta poista vain vähän materiaalia kerrallaan. Kaksi tai kolme viilan vetoa tavallisesti riittää tavanomaisessa teroituksessa. Kun olet teroittanut ketjun useaan kertaan, teroituta se valtuutetussa huoltoliikkeessä.

Teroituskriteerit:

▲VAROITUS: Suuri etäisyys leikkausterän ja syvydensäätohampaan välillä lisää takapotkun vaaraa.

► **Kuva42:** 1. Leikkauspituus 2. Etäisyys leikkausterän ja syvydensäätohampaan välillä 3. Minimileikkauspituus (3 mm)

- Kaikkien hampaiden täytyy olla yhtä pitkiä. Eripituiset hampaat estävät ketjua pyörimästä tasaisesti ja voivat aiheuttaa ketjun katkeamisen.
- Älä teroita ketjua, kun hampaan pituus on 3 mm tai lyhyempi. Ketju on vaihdettava uuteen.
- Lastun paksuuden määrää syvydensäätohampaan (pyöreä kärki) ja leikkuureunan välinen etäisyys.

- Paras sahaustulos saadaan, kun leikkuuterän ja syvyydensäätöhampaan välinen etäisyys on seuraavaa.
 - Ketjuterä 80TXL : 0,65 mm

► **Kuva43**

- Kaikkien hampaiden teroituskulman täytyy olla 30 astetta. Kulmapoikkeamat saavat ketjun pyörimään epätasaisesti, lisäävät kulumista ja aiheuttavat ketjujen katkeamisen.
- Käytä sopivaa pyöreää viilaa, jotta oikea teroituskulma pidetään hampaassa.
 - Ketjuterä 80TXL : 55°:ssa

Viila ja viilan opaste

- Käytä ketjun teroitukseen pyöreää erikoisviilaa (lisävaruste). Tavanomaiset pyöreät viilat eivät sovi tähän tarkoitukseen.
- Pyöreän viilan läpimitat kullekin ketjulle ovat seuraavat:
 - Ketjuterä 80TXL : 4,0 mm
- Viila saa ottaa hampaaseen vain eteenpäin suuntautuvalla vedolla. Nosta viila irti hampaasta paluuedolla.
- Teroita lyhyin hammas ensimmäiseksi. Tämän hampaan pituutta käytetään sitten ketjun muiden hampaiden mittana.
- Ohjaa viilaa kuvan osoittamalla tavalla.

► **Kuva44:** 1. Viila 2. Teräketju

- Viilan ohjaaminen helpottuu, jos käytetään viilaohjainta (lisävaruste). Oikea 30° teroituskulma on merkitty viilaohjaimen (kohdista merkinnät niin, että ne ovat yksisuuntaisia teräketjun kanssa). Ohjain rajoittaa myös tunkeumasyvyyden oikeaksi (4/5 viilan halkaisijasta).

► **Kuva45:** 1. Viilan pidike

- Teroituksen jälkeen tarkista syvyydensäätöhampaan korkeus ketjunmittaustyökalulla (lisävaruste).

► **Kuva46**

- Poista kaikki, myös aivan vähäinen ulkoneva aines erikoislattaviilalla (lisävaruste).
- Pyöristä syvyydensäätöhampaan etuosa uudelleen.

Terälevyn puhdistus

Lastut ja sahanpuru kerääntyvät terälevyuraan. Ne tukkivat sen ja heikentävät öljyn virtauksen. Puhdista saha aina lastuista ja sahanpuruista sahan teroituksen tai ketjunvaihdon yhteydessä.

► **Kuva47**

Hammaspyörän kotelon puhdistaminen

Lastut ja sahanpuru kerääntyä hammaspyörän koteloon. Irrota hammaspyörän kotelo ja teräketju työkalusta ja poista lastut ja sahanpuru.

► **Kuva48**

Öljynpäästöaukon puhdistus

Öljynpäästöaukkoon saattaa kerääntyä käytön aikana hienojakoista pölyä tai muita hiukkasia. Öljysuodattimessa kerääntynyt vähäinen pöly tai muut hiukkaset saattavat heikentää päästövirtaa ja aiheuttaa sahalle riittämättömän voitelun. Jos terälevyn kärkeen ei tule riittävästi öljyä, puhdista öljynpäästöaukko seuraavasti.

1. Poista hammaspyörän kotelo ja ketju työkalusta.
2. Poista hienojakoinen pöly tai hiukkaset tasapäruvitaltalla tai vastaavalla.

► **Kuva49:** 1. Ristipäruvitalta 2. Öljynpoistoaukko

3. Kiinnitä akkupaketti ketjusahaan. Vedä liipaisinkytkimestä, jotta kerääntynyt pöly tai muut hiukkaset voisivat virrata pois öljynpäästöaukosta ketjuöljyn vapauttaen.
4. Irrota akkupaketti työkalusta. Asenna uudelleen hammaspyörän kotelo ja ketju työkaluun.

Hammaspyörän vaihtaminen

⚠HUOMIO: Kulunut hammaspyörä vahingoittaa uutta teräketjua. Tässä tapauksessa vaihda kulunut hammaspyörä.

Tarkista hammaspyörän kunto ennen uuden teräketjun asentamista. Jos hammaspyörä on kulunut tai vaurioitunut, vaihdata se valtuutetussa Makita-huoltoilikkeessä.

► **Kuva50:** 1. Hammaspyörä 2. Kuluvat alueet

Työkalun säilyttäminen

1. Puhdista ketjusaha ennen säilytystä. Poista kaikki lastut ja sahanpuru ketjusahasta hammaspyörän suojuksen poistamisen jälkeen.
2. Kun olet puhdistanut sahan, käytä sitä ilman kuormaa, jotta öljy levittyy terälevyyn ja ketjuun.
3. Aseta terälevyn suojuksen paikalleen terälevyn päälle.
4. Tyhjennä öljysäiliö.

Määräaikaishuolto

Tekemällä seuraavat huoltotoimenpiteet säännöllisesti voit varmistaa pitkän käyttöiän, ehkäistä vikoja ja varmistaa turvalaitteiden moitteettoman toiminnan. Takuu edellyttää, että huollot tehdään säännöllisesti ja ohjeiden mukaan. Huollon laiminlyönti voi aiheuttaa tapaturmavaaran! Työkalun käyttäjä ei saa tehdä huoltotyötä, joista ei ole ohjeistettu näissä käyttöohjeissa. Kaikki tällaiset huoltotyöt on teetettävä valtuutetussa huoltoliikkeessä.

Tarkistettava kohde / käyttöaika		Ennen käyttöä	Päivittäin	Kerran viikossa	3 kuukauden välein	Kerran vuodessa	Ennen varastointia
Koko työkalu	Tarkastus.	✓	-	-	-	-	-
	Puhdistus.	-	✓	-	-	-	-
	Ota yhteys valtuutettuun huoltoliikkeeseen.	-	-	-	-	✓	✓
Teräketju	Tarkastus.	✓	-	-	-	-	-
	Teroita tarvittaessa.	-	-	-	-	-	✓
Terälevy	Tarkastus.	✓	✓	-	-	-	-
	Irrota työkalusta.	-	-	-	-	-	✓
Ketjun voitelu	Tarkista öljynsyöttömäärä.	✓	-	-	-	-	-
Liipaisinkytkin	Tarkastus.	✓	-	-	-	-	-
Lukituksen vapautuspainike	Tarkastus.	✓	-	-	-	-	-
Öljysäiliön korkki	Tarkista kireys.	✓	-	-	-	-	-
Ruuvit ja mutterit	Tarkastus.	-	-	✓	-	-	-

VIANMÄÄRITYS

Tarkista laite ensin itse, ennen kuin viet sen korjattavaksi. Jos ongelmaan ei löydy ratkaisua käyttöoppaasta, älä kuitenkaan yritä purkaa työkalua osiin. Ota sen sijaan yhteyttä Makita-huoltoliikkeeseen. Käytä korjaamiseen aina alkuperäisiä Makita-varaosia.

Toimintahäiriö	Syy	Toimenpide
Työkalu ei käynnisty.	Akkupakettia ei ole asennettu.	Asenna ladattu akkupaketti paikalleen.
	Akkuongelma (alijännite).	Lataa akkupaketit. Jos lataaminen ei toimi tehokkaasti, vaihda akkupakettia.
Moottori pysähtyy lyhyen käytön jälkeen.	Akun varaustila on alhainen.	Lataa akkupaketit. Jos lataaminen ei toimi tehokkaasti, vaihda akkupakettia.
Ketjussa ei ole öljyä.	Öljysäiliö tyhjä.	Täytä öljysäiliö.
	Öljyn syöttöura on likainen.	Puhdista ura.
Työkalun ei saavuta suurinta kierrosnopeutta.	Akkupaketti on asennettu väärin.	Asenna akkupaketit tämän käyttöohjeen ohjeiden mukaan.
	Akun teho laskee.	Lataa akkupaketti. Jos lataaminen ei toimi tehokkaasti, vaihda akkupakettia.
	Vetojärjestelmä ei toimi oikein.	Pyydä valtuutettua paikallista huoltoliikettä korjaamaan laite.
Epänormaali värinä: Pysäytä työkalu välittömästi!	Löysää terälevyä tai teräketjua.	Säädä terälevyä ja teräketjun kireyttä.
	Työkalun toimintahäiriö.	Pyydä valtuutettua paikallista huoltoliikettä korjaamaan laite.
Teräketjun asentaminen ei onnistu.	Teräketjun ja hammaspyörän yhdistelmä ei ole oikea.	Tarkista oikeat teräketjun ja hammaspyörän yhdistelmät teknisten tietojen osiosta ja käytä oikeaa yhdistelmää.

LISÄVARUSTEET

⚠HUOMIO: Seuraavia lisävarusteita tai laitteita suositellaan käytettäväksi tässä ohjeessa kuvatun Makita-työkalun kanssa. Muiden lisävarusteiden tai laitteiden käyttö voi aiheuttaa henkilövahinkoja. Käytä lisävarusteita ja -laitteita vain niiden käyttötarkoituksen mukaisesti.

Jos tarvitset apua tai yksityiskohtaisempia tietoja seuraavista lisävarusteista, ota yhteys paikalliseen Makitan huoltoon.

- Teräketju
- Terälevy
- Terälevyn suojus
- Viila
- Olkahihna
- Ketjuöljy
- Hammaspyörä
- Aito Makita-akku ja -laturi

⚠VAROITUS: Jos ostat muun pituisen terälevyn kuin vakioterälevy, osta myös siihen sopiva terälevyn suoja. Sen on sovittava terälevyyn ja peitettävä se kokonaan työkaluun kiinnitettynä.

HUOMAA: Jotkin luettelossa mainitut varusteet voivat sisältyä työkalun toimitukseen vakiovarusteina. Ne voivat vaihdella maittain.

SPECIFIKATIONER

Model:		DUA200
Samlet længde (uden sværd og tilbehør)		1620 mm / 2520 mm
Nominel spænding		DC 18 V
Nettovægt	*1	3,2 kg
	*2	3,2 - 3,5 kg
Længde af standardsværd		200 mm
Anbefalet længde af sværd	med 80TXL	200 mm
Anvendelig savkædetype (se tabellen nedenfor)		80TXL
Standardkædehjul	Antal tænder	7
	Tandafstand	0,325"
Kædehastighed		6,7 m/s (402 m/min)
Volumen for kædeolietank		55 cm ³

- På grund af vores kontinuerlige forsknings- og udviklingsprogrammer kan hosstående specifikationer blive ændret uden varsel.
- Specifikationer kan variere fra land til land.

*1: Vægt, med største akku og tom olietank, og uden sværd, kæde, skuldersele og tilbehør, i henhold til EN ISO11680-1.

*2: Den letteste og tungeste kombination af vægt i henhold til EPTA-Procedure 01/2014. Vægten kan være anderledes afhængigt af tilbehøret, inklusive akkuen.

Anvendelig akku og oplader

Akku	BL1815N / BL1820B / BL1830B / BL1840B / BL1850B / BL1860B
Oplader	DC18RC / DC18RD / DC18RE / DC18SD / DC18SE / DC18SF / DC18SH / DC18WC

- Nogle af de akkuer og opladere, der er angivet ovenfor, er muligvis ikke tilgængelige, afhængigt af hvilket område du bor i.

⚠ ADVARSEL: Brug kun de akkuer og opladere, der er angivet ovenfor. Brug af andre akkuer og opladere kan medføre personskaade og/eller brand.

Anbefalet ledningstilsluttet strømforsyningskilde

Bærbar strømforsyning	PDC01
-----------------------	-------

- Den eller de ovenfor anførte ledningstilsluttede strømforsyningskilder er muligvis ikke tilgængelige, afhængigt af hvilket område du bor i.
- Inden du bruger den ledningstilsluttede strømforsyningskilde, skal du læse instruktionen og advarselmærkerne på dem.

Kombination af savkæde, sværd og kædehjul

Savkædetype		80TXL
Antal drivled		38
Sværd	Længde af sværd	200 mm
	Skærelængde	185 mm
	Tandafstand	0,325"
	Måler	1,1 mm
	Type	Kædehjulspids
Kædehjul	Antal tænder	7
	Tandafstand	0,325"

ADVARSEL: Brug en passende kombination af sværd og savkæde. I modsat fald kan det medføre tilskadekomst.

Symboler

Følgende viser de symboler, der muligvis anvendes til udstyret. Sørg for, at du forstår deres betydning før brugen.



Må ikke udsættes for fugt.



Læs brugsanvisningen.



Brug hjelm, beskyttelsesbriller og høreværn.



Brug arbejdshandsker.



Bær solide støvler med skridsikre såler. Sikkerhedsstøvler med stålspidser anbefales.



Pas på elektriske ledninger, risiko for elektrisk stød.



Hold en afstand på mindst 15 m.



Maks. tilladt skærelængde



Retning af kædens bevægelse



Kædeolietank



Kun for lande inden for EU
På grund af tilstedeværelsen af farlige komponenter i udstyret kan affald af elektrisk og elektronisk udstyr, akkumulatører og batterier have en negativ indvirkning på miljøet og folkesundheden.
Bortskaf ikke elektriske og elektroniske apparater eller batterier sammen med husholdningsaffald!
I overensstemmelse med EF-direktiv om affaldshåndtering af elektrisk og elektronisk udstyr og om akkumulatører og batterier og affaldsakkumulatører og -batterier, og i overensstemmelse med national lovgivning, skal brugt elektrisk udstyr, batterier og akkumulatører opbevares separat og leveres til et separat indsamlingssted for kommunalt affald, der er etableret i henhold til bestemmelserne om miljøbeskyttelse. Dette er angivet ved symbolet på den krydsede skraldespand, der er placeret på udstyret.



Garanteret lydeffektniveau i henhold til EU-direktivet om maskiner til udendørs brug.



Lydeffektniveau i henhold til Australiens NSW forordning om støjemission

Tilsigtet anvendelse

Denne maskine er beregnet til beskæring af grene og hovedgrene.

Støj

Det typiske A-vægtede støjniveau bestemt i overensstemmelse med ISO22868(ISO11680-1):
Lydtrykniveau (L_{pA}): 79 dB (A)
Lydeffektniveau (L_{WA}): 87 dB (A)
Usikkerhed (K): 3 dB (A)

BEMÆRK: De(n) angivne støjemissionsværdi(er) er målt i overensstemmelse med en standardtestmetode og kan anvendes til at sammenligne en maskine med en anden.

BEMÆRK: De(n) angivne støjemissionsværdi(er) kan også anvendes i en præliminær eksponeringsvurdering.

ADVARSEL: Bær høreværn.

ADVARSEL: Støjemissionen under den faktiske anvendelse af maskinen kan være forskellig fra de(n) angivne værdi(er), afhængigt af den måde hvorpå maskinen anvendes, især den type arbejdsomme der behandles.

ADVARSEL: Sørg for at identificere de sikkerhedsforskrifter til beskyttelse af operatøren, som er baseret på en vurdering af eksponering under de faktiske brugsforhold (med hensyntagen til alle dele i brugscyklussen, f.eks. de gange, hvor maskinen er slukket, og når den kører i tomgang i tilgift til afbrydertiden).

Vibration

Venstre håndtag (forreste greb)		Højre håndtag (bageste greb)		Gældende standard
ah (m/s ²)	Usikkerhed K (m/s ²)	ah (m/s ²)	Usikkerhed K (m/s ²)	
2,5 eller mindre	1,5	2,5 eller mindre	1,5	ISO22867(ISO11680-1)

BEMÆRK: De(n) angivne totalværdi(er) for vibration er målt i overensstemmelse med en standardtestmetode og kan anvendes til at sammenligne en maskine med en anden.

BEMÆRK: De(n) angivne totalværdi(er) for vibration kan også anvendes i en præliminær eksponeringsvurdering.

⚠ ADVARSEL: Vibrationsemissionen under den faktiske anvendelse af maskinen kan være forskellig fra de(n) angivne værdi(er), afhængigt af den måde hvorpå maskinen anvendes, især den type arbejdsemne der behandles.

⚠ ADVARSEL: Sørg for at identificere de sikkerhedsforskrifter til beskyttelse af operatøren, som er baseret på en vurdering af eksponering under de faktiske brugsforhold (med hensyntagen til alle dele i brugsklassen, f.eks. de gange, hvor maskinen er slukket, og når den kører i tomgang i tilgift til afbrydertiden).

Overensstemmelseserklæringer

Kun for lande i Europa

Overensstemmelseserklæringerne er inkluderet i Bilag A i denne brugsanvisning.

SIKKERHEDSADVARSLER

Almindelige sikkerhedsregler for el-værktøj

⚠ ADVARSEL Læs alle sikkerhedsadvarsler, instruktioner, illustrationer og specifikationer, der følger med denne maskine. Hvis du ikke følger alle nedenstående instruktioner, kan det medføre elektrisk stød, brand og/eller alvorlig personskade.

Gem alle advarsler og instruktioner til fremtidig reference.

Ordet "el-værktøj" i advarslerne henviser til det netforsynede (netledning) el-værktøj eller batteriforsynede (akku) el-værktøj.

Sikkerhedsadvarsler for akku stangsav

Generelle forholdsregler

1. Læs denne brugsanvisning, før du starter maskinen for at blive fortrolig med håndteringen af maskinen.
2. Udlån ikke maskinen til en person med utilstrækkelig erfaring eller viden om håndtering af maskinen.
3. Ved udlån af maskinen skal du altid vedlægge denne brugsanvisning.
4. Lad ikke børn eller unge under 18 år bruge maskinen. Hold dem væk fra maskinen.
5. Håndter maskinen med den største forsigtighed og opmærksomhed.
6. Brug aldrig maskinen, når du har indtaget alkohol eller narkotika, eller hvis du føler dig træt eller syg.
7. Forsøg aldrig at ændre maskinen.
8. Anvend ikke maskinen i dårligt vejr, især når der er risiko for lynnedslag. Dette reducerer risikoen for, at du rammes af lynnedslag.
9. Nationale bestemmelser begrænser muligvis brugen af maskinen. Overhold bestemmelserne i dit land vedrørende håndtering af maskinen.

Personligt beskyttelsesudstyr

1. Bær sikkerhedshjelm, beskyttelsesbriller og beskyttelseshandsker som beskyttelse mod flyvende partikler eller faldende genstande.
2. Bær høreværn som f.eks. høreværn for at forhindre høretab.
3. Bær egnet tøj og sko til sikker drift, såsom en arbejdsoverall og solide, skridsikre sko. Undlad at bære løstsiddende tøj eller smykker. Løstsiddende tøj, smykker eller langt hår kan blive fanget i de bevægelige dele.
4. Når du håndterer savkæden eller justerer kædespændingen, skal du anvende beskyttelseshandsker. En savkæde kan skære bare hænder alvorligt.

Sikkerhed i arbejdsområdet

1. Hold maskinen mindst 15 m væk fra elledninger og kommunikationskabler (herunder eventuelle grene som er i berøring med dem). Hvis maskinen berører eller kommer i nærheden af højspændingsledninger, kan det medføre dødsfald eller alvorlig personskade. Læg mærke til strømforsyningsledninger og elektriske hegn omkring arbejdsområdet, før du påbegynder brugen.
2. Brug kun maskinen i god sigtbarhed og dagslys. Brug ikke maskinen i mørke eller tåge.
3. Under brug må du aldrig stå på en ustabil eller glat overflade eller en stejl skræning. I den kolde årstid skal du være opmærksom på is og sne og altid sørge for sikkert fodfæste.
4. Hold tilskuere og dyr mindst 15 m væk fra maskinen under brugen. Stop maskinen, så snart nogen nærmer sig.
5. Når der arbejdes med to eller flere personer, skal der holdes en afstand på mindst 15 m eller mere mellem hinanden, og der skal være en arbejdsleder.
6. Før brugen skal du kontrollere arbejdsområdet for trådhegn, mure eller andre hårde genstande. De kan beskadige savkæden.

Forberedelse

1. Før samling eller justering af maskinen, skal du slukke for maskinen og fjerne akkuen.
2. Inden du håndterer savkæden eller justerer kædespændingen, skal du anvende beskyttelseshandsker.
3. Før du starter maskinen, skal du inspicere maskinen for skader, løse skruer/møtrikker eller forkert samling. Skærp en sløv savkæde. Hvis savkæden er bøjet eller beskadiget, skal den udskiftes. Kontroller, at alle kontrolhåndtag og kontakter nemt kan betjenes. Rengør og aftør grebene.

4. **Forsøg aldrig at starte maskinen, hvis maskinen er beskadiget eller ikke er helt samlet.** Ellers kan det medføre alvorlig personskade.
5. **Juster skulderelementet, så den passer til operatørens kropsstørrelse.**
6. **Juster kædespændingen ordentligt. Påfyld kædeolien om nødvendigt.**

Start af maskinen

1. **Bær det personlige beskyttelsesudstyr, før du starter maskinen.**
2. **Før du starter maskinen, skal du sikre dig, at der ikke er personer eller dyr i arbejdsområdet.**
3. **Når du indsætter en akku, skal du holde savkæden og sværdet fri af din krop og andre genstande, herunder jorden.** Savkæden bevæger sig muligvis ved start, og kan muligvis medføre alvorlig tilskadekomst eller beskadigelse af savkæden og/eller tingsskade.
4. **Placer maskinen på fast grund. Bevar en god balance og et sikkert fodfæste.**

Drift

1. **Sluk for maskinen med det samme i en nødsituation.**
2. **Sluk for maskinen, hvis du bemærker unormale forhold (f.eks. støj, vibration) under brugen. Brug ikke maskinen, før årsagen er identificeret og afhjulpet.**
3. **Savkæden fortsætter med at bevæge sig i en kort periode, efter maskinen er blevet slukket. Berør ikke savkæden for hurtigt.**
4. **Brug skulderelementet under anvendelse. Hold maskinen fast på din højre side.**
5. **Hold i det forreste greb med din venstre hånd og i det bageste greb med din højre hånd, uanset om du er højrehåndet eller venstrehåndet. Placer fingrene og tommelfingrene omkring grebene.**
6. **Hold altid kun i maskinen i de isolerede grebflader, da savkæden kan komme i berøring med skjulte ledninger.** En savkæde, der kommer i berøring med en strømførende ledning, kan gøre de uisolerede metaldele på beskæresaksen med udvidet rækkevidde strømførende, hvilket kan give operatøren elektrisk stød.
7. **Forsøg aldrig at betjene maskinen med én hånd. Tab af kontrollen kan medføre alvorlig eller dødelig personskade. Hold hænderne og fødderne på afstand af savkæden for at reducere risikoen for tilskadekomst.**
8. **Stræk dig ikke for langt. Sørg hele tiden for sikkert fodfæste og balance. Se efter skjulte forhindringer som f.eks. træstubbe, rødder og grøfter for at undgå at snuble. Ryd nedfaldne grene og andre genstande væk.**
9. **Arbejd aldrig på en stige eller et træ for at undgå tab af kontrol.**
10. **Hvis maskinen udsættes for hårde stød, eller den tabes, skal du kontrollere dens tilstand, før du fortsætter arbejdet. Hvis der er nogen beskadigelse eller tvivl, skal du bede et Makita-autoriseret servicecenter om at udføre inspektion og reparation.**
11. **Rør ikke ved hovedet på maskinen.** Hovedet på maskinen bliver varmt under anvendelse.
12. **Hold pause for at undgå at miste kontrollen på grund af træthed.** Vi anbefaler, at du holder 10 til 20 minutters hvil hver time.
13. **Når du forlader maskinen, skal du altid slukke for maskinen og fjerne akkuen, også selvom det kun er i kort tid.** Den kørende maskine, som ikke er under opsyn, kan muligvis blive anvendt af uautoriserede personer og forårsage en alvorlig ulykke.
14. **Når du anvender maskinen, skal du ikke løfte din højre hånd over skulderhøjde.**
15. **Under anvendelse skal du aldrig støde savkæden mod hårde genstande såsom sten og søm. Vær især forsigtig ved skæring af grene tæt på mure, trådhegn eller lignende.**
16. **Hvis grene sidder fast i maskinen, skal du altid stoppe maskinen og fjerne akkuen.** Ellers kan utilsigtet start medføre alvorlig personskade.
17. **Hvis savkæden bliver tilstoppet, skal du altid slukke for maskinen og fjerne akkuen inden rengøring.**
18. **Inden skæring af hovedgrene skal der være et flugtområde væk fra den nedfaldende hovedgren. Først skal forhindringer som fx hovedgrene og grene fjernes fra arbejdsområdet. Flyt alle maskiner og goods fra flugtområdet til et andet sikkert sted.**
19. **Inden skæring af grene eller hovedgrene skal du kontrollere faldretningen for dem, overveje grenenes og hovedgrenenes tilstand, tilstødende træer, vindretning osv. Vær meget opmærksom på faldretningen og tilbageslag af den gren, som rammer jorden.**
20. **Hold altid maskinen på en vinkel på mere end 60°. Ellers kan faldende genstande ramme operatøren og forårsage alvorlig personskade. Stå aldrig neden under den hovedgren, som skæres.**
21. **Vær opmærksom på afbrækkede eller bøjedede grene.** De kan muligvis slå tilbage ved skæring og forårsage uventet personskade.
22. **Inden skæring af hovedgrene, som du har i sinde at skære, skal grene og blade rundt om dem fjernes.** Ellers kan savkæden muligvis sætte sig fast i dem.
23. **For at forhindre savkæden i at sætte sig fast i savsnittet, skal du ikke slippe armen, før du trækker savkæden ud af savsnittet.**
24. **Hvis savkæden sidder fast i savsnittet, skal du straks stoppe maskinen, forsigtigt flytte grenen for at åbne savsnittet og frigøre savkæden.**
25. **Undgå tilbageslag (roterende reaktiv kraft mod operatøren). For at forhindre tilbageslag skal du aldrig anvende sværdnåsen eller udføre et gennemtrængende snit. Vær altid bevidst om positionen af sværdnåsen.**
26. **Kontroller jævnligt kædespændingen. Når kædespændingen kontrolleres eller justeres, skal du slukke for maskinen og fjerne akkuen. Hvis spændingen er løs, skal den strammes.**

Vibration

1. **Udsættelse for kraftig vibration beskadiger operatørens blodkar eller nervesystem og medfører følgende symptomer i fingre, hænder eller håndled: "Sovende" led (følelsesløshed), prikken, smerte, stikkende fornemmelse eller ændring af hudfarven eller af huden. Hvis nogen af disse symptomer opstår, skal du kontakte en læge.**
For at reducere risikoen for "hvide fingre" skal du holde hænderne varme under anvendelsen og vedligeholde maskinen og tilbehøret godt. For driftstid skal du følge de lokale regler eller lægens råd.

Transport

1. Før transport af maskinen, skal du slukke for maskinen og fjerne akkuen. Monter altid sværbeskytteren under transport.
2. Når du transporterer maskinen, skal du bære den i vandret stilling ved at holde i grebet.

Vedligeholdelse

1. Få dit udstyr eftersat af vores autoriserede servicecenter, og brug altid kun originale reservedele. Forkert reparation og dårlig vedligeholdelse kan forkorte maskinens levetid og øge risikoen for ulykker.
2. Før der udføres nogen form for vedligeholdelse, reparationsarbejde eller rengøring af maskinen, skal du altid slukke for maskinen og fjerne akkuen. Vent indtil maskinen køler ned.
3. Bær altid arbejdshandsker, når du håndterer savkæden.
4. Tilspænd alle skruer og møtrikker efter hver brug, undtagen skruerne til justering.
5. Hold savkæden skarp. Hvis savkæden er blevet sløv, og skæreydelsen er dårlig, skal du bede et autoriseret Makita-servicecenter om at skærpe den eller udskifte den med en ny.
6. Forsøg ikke at udføre vedligeholdelse eller reparationsarbejde, der ikke er beskrevet i denne brugsanvisning. Bed et autoriseret Makita-servicecenter om at udføre sådant arbejde.
7. Brug altid kun ægte reservedele og tilbehør fra Makita. Brug af dele eller tilbehør fra tredjepart kan medføre sammenbrud af maskinen, materiel skade og/eller alvorlig personskade.

Opbevaring

1. Udfør komplet rengøring og vedligeholdelse, før maskinen opbevares. Monter sværbeskytteren. Fjern akkuen. Tøm kædeolien af, efter maskinen er kølet ned.
2. Opbevar maskinen på et tørt og højt eller aflåst sted, der er utilgængeligt for børn.
3. Stil ikke maskinen op ad noget som f.eks. en væg. Ellers kan den vælte pludseligt og forårsage personskade.

Elektrisk sikkerhed og batterisikkerhed

1. Undlad at kaste batterierne i åben ild. Cellen kan eksplodere. Tjek de lokale regler for eventuelle særlige instruktioner vedrørende bortskaffelse.

2. Undlad at åbne eller mishandle batterierne. Lækket elektrolyt er ætsende og kan medføre skader på øjnene eller huden. Den kan være giftig, hvis den indtages.
3. Undlad at oplade batteriet i regnvejr eller under våde forhold.
4. Oplad ikke batteriet uden døre.
5. Håndter ikke oplader, herunder opladerstik, og opladerterminaler med våde hænder.
6. Undgå farlige miljøer. Brug ikke maskinen på fugtige eller våde steder, og udsæt den ikke for regn. Hvis der kommer vand ind i maskinen, forøger det risikoen for elektrisk stød.

GEM DENNE BRUGSANVISNING.

⚠ ADVARSEL: LAD IKKE bekvemmelighed eller kendskab til produktet (opnået gennem gentagen brug) forhindre, at sikkerhedsforskrifterne for produktet nøje overholdes. MISBRUG eller forsummelse af at følge de i denne brugsvejledning givne sikkerhedsforskrifter kan føre til, at De kommer alvorligt til skade.

Vigtige sikkerhedsinstruktioner for akkuen

1. Læs alle instruktioner og advarselmærkater på (1) akku-opladeren, (2) akkuen og (3) produktet, som anvender akku.
2. Adskil eller ændr ikke akkuen. Det kan muligvis resultere i en brand, overdreven varme eller eksplosion.
3. Hold straks op med anvendelsen, hvis brugstiden er blevet stærkt afkortet. Fortsæt anvendelse kan resultere i risiko for overophedning, forbrændinger og endog eksplosion.
4. Hvis De har fået elektrolytvæske i øjnene, skal De straks skylle den ud med rent vand og derefter øjeblikkeligt søge lægehjælp. I modsat fald kan De miste synet.
5. Vær påpasselig med ikke at komme til at kortslutte akkuen:
 - (1) Rør ikke ved terminalerne med noget ledende materiale.
 - (2) Undgå at opbevare akkuen i en beholder sammen med andre genstande af metal, for eksempel søm, mønter og lignende.
 - (3) Udsæt ikke akkuen for vand eller regn. Kortslutning af akkuen kan forårsage en kraftig øgning af strømmen, overophedning, mulige forbrændinger og endog værktøjstop.
6. Opbevar og brug ikke maskinen og akkuen på steder, hvor temperaturen muligvis kan nå eller overstige 50 °C.
7. Lad være med at brænde akkuen, selv ikke i tilfælde, hvor den har lidt alvorlig skade eller er fuldstændig udtjent. Akkuen kan eksplodere, hvis man forsøger at brænde den.
8. Slå ikke søm i, skær ikke i, knus, kast, tab ikke akkuen og stød ikke akkuen mod en hård genstand. Sådant adfærd kan muligvis resultere i en brand, overdreven varme eller eksplosion.
9. Anvend ikke en beskadiget akku.

10. **De indbyggede litium-ion-batterier er underlagt lovkrav vedrørende farligt gods.**
Ved kommerciel transport, f.eks. af tredjeparts transportselskaber, skal særlige krav til forpakning og mærkning overholdes.
Ved forberedelse af udstyret til forsendelse skal du kontakte en ekspert i farligt gods. Overhold også eventuel mere detaljeret national lovgivning.
Tape eller tildæk åbne kontakter, og pak batteriet på en måde, så det ikke kan flytte sig rundt i pakningen.
11. **Når akkuen bortskaffes, skal du fjerne den fra maskinen og bortskaffe den på et sikkert sted. Følg de lokale love vedrørende bortskaffelsen af batterier.**
12. **Brug kun batterierne med de produkter, som Makita specificerer.** Hvis batterierne installeres i ikke-kompatible produkter, kan det medføre brand, kraftig varme, eksplosion eller udsivning af elektrolyt.
13. **Hvis maskinen ikke skal bruges i længere tid ad gangen, skal du fjerne batteriet fra maskinen.**
14. **Akkuen kan muligvis under og efter brug være varm, hvilket kan forårsage forbrændinger eller lavtemperaturforbrændinger. Vær påpasselig med håndtering af varme akkuer.**
15. **Rør ikke terminalen på maskinen straks efter brug, da den bliver varm nok til at forårsage forbrændinger.**
16. **Sørg for, at spåner, støv eller jord ikke sætter sig fast i akkuens terminaler, huller og riller.** Det kan forårsage opvarmning, antændelse, sprængning og funktionsfejl i maskinen eller akkuen, hvilket kan medføre forbrændinger eller personskade.
17. **Medmindre maskinen understøtter brugen i nærheden af elektriske højspændingsledninger, skal du ikke anvende akkuen i nærheden af elektriske højspændingsledninger.** Det kan muligvis medføre funktionsfejl på eller nedbrud af maskinen eller akkuen.
18. **Opbevar batteriet utilgængeligt for børn.**

GEM DENNE BRUGSANVISNING.

⚠FORSIGTIG: Brug kun originale batterier fra Makita. Brug af uoriginale Makita-batterier, eller batterier som er blevet ændret, kan muligvis medføre brud på batteriet, hvilket kan forårsage brand, personskade eller beskadigelse. Det ugyldiggør også Makita-garantien for Makita-maskinen og opladeren.

Tips til opnåelse af maksimal akku-levetid

1. **Oplad akkuen, inden den er helt afladet. Stop altid værktøjet, og oplad akkuen, hvis De bemærker, at værktøjeffekten er aftagende.**
2. **Genoplad aldrig en fuldt opladet akku. Overopladning vil afkorte akkuens levetid.**
3. **Oplad akkuen ved stuetemperatur ved 10 °C - 40 °C. Lad altid en varm akku få tid til at køle af, inden den oplades.**
4. **Når du ikke anvender akkuen, skal du fjerne den fra maskinen eller opladeren.**
5. **Oplad akkuen, hvis De ikke skal bruge den i længere tid (mere end seks måneder).**

BESKRIVELSE AF DELENE

► Fig.1

1	Håndtagsmodul	2	Midterste forlængerstang	3	Savhovedmodul
4	Bøjle	5	Lås fra-knap	6	Akku
7	Afbryderknap	8	Bageste greb	9	Savkæde
10	Sværd	11	Olietankdæksel	12	Arm
13	Hovedvinkeljusteringsknap	14	Sværdbeskytter	15	Forreste greb

FUNKTIONSBESKRIVELSE

⚠️ FORSIGTIG: Sørg altid for at maskinen er slukket, og at akkuen er taget ud, før der udføres justering eller kontrol af funktioner på maskinen.

Isætning eller fjernelse af akkuen

⚠️ FORSIGTIG: Sluk altid for værktøjet, før De monterer eller fjerner akkuen.

⚠️ FORSIGTIG: Hold værktøjet og akkuen fast ved montering eller fjernelse af akkuen. Hvis De ikke holder værktøjet og akkuen fast, kan de glide ud af hænderne på Dem og forårsage beskadigelse af værktøjet og akkuen eller personskaade.

For at montere akkuen skal du justere tungen på akkuen med rillen i huset og skubbe den på plads. Indsæt den hele vejen, indtil den låses på plads med et lille klik. Hvis du kan se den røde indikator, som vist i figuren, er den ikke helt låst.

Akkuen fjernes ved, at De trækker den ud af værktøjet, idet De skyder knappen på forsiden af akkuen i stilling.

► **Fig.2:** 1. Rød indikator 2. Knap 3. Akku

⚠️ FORSIGTIG: Monter altid akkuen helt, indtil den røde indikator ikke længere er synlig. Hvis dette ikke gøres, kan den falde ud af værktøjet ved et uheld, hvorved De selv eller personer i nærheden kan komme til skade.

⚠️ FORSIGTIG: Brug ikke magt ved montering af akkuen. Hvis akkuen ikke glider på plads uden problemer, betyder det, at den ikke sættes i på korrekt vis.

Indikation af den resterende batteriladning

Kun til akkuer med indikatoren

Tryk på kontrolknappen på akkuen for at få vist den resterende batteriladning. Indikatorlampe lyser i nogle sekunder.

► **Fig.3:** 1. Indikatorlamper 2. Kontrolknap

Indikatorlamper			Resterende ladning
Tændt	Slukket	Blinker	
■	□	◐	75% til 100%
■	■	□	50% til 75%
■	□	□	25% til 50%
■	□	□	0% til 25%
◐	□	□	Genoplad batteriet.

Indikatorlamper			Resterende ladning
Tændt	Slukket	Blinker	
■	■	□	Der er muligvis fejl i batteriet.
□	□	■	

BEMÆRK: Afhængigt af brugsforholdene og den omgivende temperatur kan indikationen afvige en smule fra den faktiske ladning.

BEMÆRK: Den første indikatorlampe (længst mod venstre) vil blinke, når batteribeskyttelsessystemet aktiveres.

Beskyttelsessystem til værktøj/batteri

Maskinen er udstyret med et beskyttelsessystem til maskinen/batteriet. Dette system afbryder automatisk strømmen til motoren for at forlænge maskinens og batteriets levetid. Maskinen stopper automatisk under brugen, hvis maskinen eller batteriet udsættes for et af følgende forhold:

Overbelastningsbeskyttelse

Når batteriet betjenes på en måde, der får det til at bruge unormalt meget strøm, stopper maskinen automatisk. I denne situation skal du slippe afbryderknappen og stoppe den anvendelse, der fik maskinen til at blive overbelastet. For at starte maskinen igen skal du trykke lås fra-knappen ned og trykke på afbryderknappen.

Beskyttelse mod overophedning

Når maskinen eller batteriet er overophedet, stopper maskinen automatisk. I så fald skal du lade maskinen og batteriet køle af, før du tænder for maskinen igen.

BEMÆRK: Under forhold med høje temperaturer vil beskyttelsen mod overophedning sandsynligvis fungere, og maskinen stopper automatisk.

Beskyttelse mod overafledning

Når batteriladningen ikke er tilstrækkelig, stopper maskinen automatisk. I så fald skal du tage batteriet ud af maskinen og oplade batteriet.

Afbryderbetjening

⚠️ ADVARSEL: Af hensyn til din sikkerhed er denne maskine forsynet med en lås fra-knap, som forhindrer, at maskinen starter utilsigtet. UNDLAD at bruge maskinen, hvis den kører, når du blot trykker på afbryderknappen uden at trykke på lås fra-knappen. Returner maskinen til vores autoriserede servicecenter for korrekt reparation, FØR du tager den i brug igen.

⚠️ ADVARSEL: UNDLAD at fastgøre lås fra-knappen med tape eller omgå dens formål eller funktion.

⚠FORSIGTIG: Inden akkuen sættes i maskinen, bør De altid kontrollere, at afbryderknappen fungerer korrekt, og returnerer til "OFF"-positionen, når den slippes.

BEMÆRKNING: Undlad at trykke hårdt på afbryderknappen uden at trykke på lås fra-knappen. Dette kan medføre, at afbryderen går i stykker.

For at forhindre, at afbryderknappen trykkes ned ved et uheld, er maskinen forsynet med en lås fra-knap. For at starte maskinen skal du trykke lås fra-knappen ned og trykke på afbryderknappen. Slip afbryderknappen for at stoppe.

► **Fig.4:** 1. Afbryderknap 2. Lås fra-knap

Elektronisk funktion

Maskinen er udstyret med elektroniske funktioner for nem betjening.

- Elektrisk bremse
Denne maskine er udstyret med en elektrisk bremse. Hvis maskinen konsekvent undlader at stoppe hurtigt, efter at afbryderknappen er sluppet, skal maskinen serviceres hos et Makita-servicecenter.

SAMLING

⚠ADVARSEL: Undlad at tilslutte to eller flere skaffortlængertilbehør. Ellers kan tab af kontrol medføre alvorlig personskade.

⚠FORSIGTIG: Sørg altid for, at akkuen er taget ud, før du udfører noget arbejde på maskinen.

⚠FORSIGTIG: Undlad at berøre savkæden med bare hænder. Bør altid beskyttelseshandsker, når du håndterer savkæden.

Samling af modulerne

⚠FORSIGTIG: Når du samler savhovedmodulet, den midterste forlængerstang og håndtagsmodulet, skal du placere modulerne på jorden. Hvis modulet samles i opretstående position, kan det falde ned og ramme omkringliggende genstande eller personer, hvilket kan forårsage en ulykke eller personskade.

⚠FORSIGTIG: Sørg altid for, at muffen er skruet helt ind. Hvis muffen ikke skrues helt ind, kan det medføre, at samlingerne frakobles og forårsager personskade.

► **Fig.5:** 1. Savhovedmodul 2. Midterste forlængerstang 3. Håndtagsmodul

1. Ret de trekantede mærker på modulerne ind efter hinanden, og sæt det ene ind i det andet.

Tungen passer ind i rillen.

► **Fig.6:** 1. Trekantsmærke 2. Tunge 3. Rille

2. Skub muffen til gevindene, og drej muffen med uret, indtil den stopper.

Enden af gevindene skal være helt dækket af muffen som vist på figuren.

► **Fig.7:** 1. Muffe

Afkortning af maskinen

For at afkorte maskinen skal du samle savhovedmodulet og håndtagsmodulet direkte uden den midterste forlængerstang som vist på figuren.

► **Fig.8:** 1. Savhovedmodul 2. Håndtagsmodul

Af- eller påmontering af savkæde

⚠FORSIGTIG: Savkæden og sværdet er stadig varme lige efter brugen. Lad dem køle tilstrækkeligt af, inden der udføres noget arbejde på maskinen.

⚠FORSIGTIG: Udfør proceduren med at montere eller fjerne savkæden på et rent sted uden savsmuld og lignende.

Afmontering af savkæden

For at fjerne savkæden skal du udføre følgende trin:

1. Træk armen op.

► **Fig.9:** 1. Arm

2. Drej armen mod uret, indtil kædehjulsdækslet går af.

► **Fig.10:** 1. Arm 2. Kædehjulsdæksel

3. Afmontér kædehjulsdækslet, og afmontér derefter savkæden og sværdet fra maskinens karosseri.

Montering af savkæden

For at montere savkæden skal du udføre følgende trin:

1. Træk armen op.

► **Fig.11:** 1. Arm

2. Drej armen mod uret, indtil kædehjulsdækslet går af.

► **Fig.12:** 1. Arm 2. Kædehjulsdæksel

3. Afmonter kædehjulsdækslet.

4. Justér hullet på sværdet med stiften på maskinens karosseri, og placér derefter sværdet som vist på figuren.

► **Fig.13:** 1. Sværd 2. Hul 3. Stift

5. Skub sværdet mod kædehjulet for at låse stiften.

► **Fig.14:** 1. Sværd 2. Stift

6. Afmontér sværdet fra maskinens karosseri.

7. Kontrollér savkædens retning. Sørg for, at savkædens retning svarer til mærket på maskinens karosseri.

► **Fig.15:** 1. Mærke på maskinens karosseri

8. Sæt den ene ende af savkæden på toppen af sværdet.

9. Montér den anden ende af savkæden rundt om kædehjulet, og fastgør derefter sværdet til maskinens karosseri, så hullet på sværdet flugter med stiften på karosseriet.

► **Fig.16:** 1. Kædehjul

Tryk sværdet mod maskinens karosseri for at frigøre stiften. Savkædens spænding justeres automatisk.

► **Fig.17:** 1. Savkæde 2. Stift 3. Kædehjul

10. Placér kædehjulsdækslet således, at bolten og stiften på maskinens karosseri mødes med de tilsvarende dele på kædehjulsdækslet.

► **Fig.18:** 1. Kædehjulsdæksel 2. Bolt 3. Stift

11. Drej armen med uret, og tilspænd det godt fast for at fastgøre kædehjulsdækslet, og sæt det derefter tilbage i den oprindelige position.

► **Fig.19:** 1. Arm 2. Kædehjulsdæksel

Sørg for, at savkædens drivled sidder godt fast på kædehjulet, og at savkæden sidder ordentligt fast i skinnerillen på sværdet.

Sørg for, at savkæden ikke løsner sig, og at savkæden kan bevæges jævnt frem og tilbage. Justér om nødvendigt savkædens spænding ved at se afsnittet om justering af savkædens spænding.

Justering af savkædens spænding

⚠FORSIGTIG: En kæde, der er for løs, kan hoppe af sværdet, og det kan forårsage personskade eller en ulykke.

Savkæden kan blive løs efter mange timers brug. Kontroller fra tid til anden savkædens spænding inden brug.

Hvis savkæden er løs, skal du justere savkædens spænding.

1. Træk armen op.

► **Fig.20:** 1. Arm

2. Drej armen en smule mod uret for at løsne kædehjulsdækslet let. Kædespændingen justeres automatisk.

► **Fig.21:** 1. Arm 2. Kædehjulsdæksel

3. Drej armen med uret, og tilspænd det godt fast for at fastgøre kædehjulsdækslet, og sæt det derefter tilbage i den oprindelige position.

► **Fig.22:** 1. Arm 2. Kædehjulsdæksel

Justering af hovedvinklen

⚠FORSIGTIG: Når du justerer hovedvinklen, skal du fastgøre sværdbeskytteren for at undgå personskade.

⚠FORSIGTIG: Pas på ikke at få fingrene i klemme mellem hovedet og stangen.

Hovedet kan justeres i 9 vinkler. Følg disse trin:

1. Hold maskinen som vist på figuren, mens du trykker på hovedvinkeljusteringsknappen, skal du justere hovedet til den ønskede vinkel.

► **Fig.23:** 1. Hovedvinkeljusteringsknap 2. Hoved

2. Slip hovedvinkeljusteringsknappen, og sørg for, at hovedvinkeljusteringsknappen vender tilbage til sin oprindelige position.

BEMÆRKNING: Hvis hovedvinkeljusteringsknappen ikke vender tilbage til sin oprindelige position, skal du flytte hovedet en smule, indtil det klikker på plads.

BEMÆRKNING: Sørg for, at hovedet er forsvarligt fastgjort før brug.

ANVENDELSE

Smøring

BEMÆRKNING: Når der påfyldes kædeolie for første gang, eller tanken fyldes op igen, efter at den er blevet helt tom, skal der påfyldes olie op til bundkanten af påfyldningsstudslen. Ellers kan olieforsyningen blive hindret.

BEMÆRKNING: Brug en savkædeolie, der udelukkende er beregnet til Makita-kædesave, eller tilsvarende olie, som fås i handelen.

BEMÆRKNING: Anvend aldrig olie, som indeholder snavs og partikler, eller flygtig olie.

BEMÆRKNING: Ved beskæring af træer skal der anvendes planteolie. Mineralisk olie kan skade træerne.

BEMÆRKNING: Kontroller inden skæringen, at det medfølgende olietankdæksel er skruet på plads.

Savkæden smøres automatisk, når maskinen er i brug. Kontroller regelmæssigt mængden af tilbageværende olie i olietanken.

► **Fig.24:** 1. Olietank

For at genopfylde tanken skal du placere maskinen på en flad overflade og derefter fjerne olietankdækslet ved at dreje det.

Den korrekte mængde olie er 55 cm³. Efter genopfyldning af tanken skal du sørge for, at olietankdækslet er tilspændt forsvarligt.

► **Fig.25:** 1. Olietankdæksel 2. Olietank (gennemsigtig)

Efter genopfyldning skal du holde maskinen væk fra træet. Start den, og vent, indtil savkæden er tilstrækkeligt smurt.

► **Fig.26**

Montering af skulderselen

⚠FORSIGTIG: Når du anvender maskinen kombineret med en strømforsyning af rygsæktypen som fx en bærbar strømforsyning, skal du ikke anvende den skuldersæle, som er inkluderet i pakken med maskinen, men anvende det hængende bånd, som anbefales af Makita.

Hvis du anvender den skuldersæle, som er inkluderet i pakken med maskinen, og skulderselen til en strømforsyning af rygsæktypen på samme tid, er det svært at fjerne maskinen eller strømforsyningen af rygsæktypen i et nødstilfælde, og det kan muligvis forårsage en ulykke eller personskade. Bed et autoriseret Makita-servicecenter om det anbefalede hængende bånd.

⚠FORSIGTIG: Brug altid skulderselen monteret på maskinen. Juster skulderselen efter brugerens størrelse før anvendelsen for at forebygge træthed.

⚠FORSIGTIG: Før brugen skal du kontrollere, at skulderselen er korrekt monteret på maskinens bøjle.

⚠FORSIGTIG: Før anvendelse skal du sørge for, at spændet på skulderselen er ordentligt fastgjort.

⚠FORSIGTIG: Brug altid den skuldersæle, som er dedikeret til denne maskine. Brug ikke andre skuldersæler.

1. Bær skulderselen på venstre skulder.
▶ Fig.27
2. Fastgør krogen på skulderselen til maskinens bøjle.
▶ Fig.28: 1. Krog 2. Bøjle
3. Juster skulderselen til en behagelig arbejdsposition.
▶ Fig.29

Skulderselen har en funktion til hurtigt frigørelse. Du skal blot klemme på siderne af spændet for at frigøre maskinen fra skulderselen.

▶ Fig.30: 1. Spænde

Arbejde med maskinen

⚠FORSIGTIG: Hold alle kropsdele væk fra savkæden, når motoren er i gang.

⚠FORSIGTIG: Hold fast i maskinen med begge hænder, når motoren kører.

⚠FORSIGTIG: Stræk dig ikke for langt. Sørg hele tiden for sikkert fodfæste og balance.

⚠FORSIGTIG: Når du skærer gennem grene, skal du passe på ikke at miste balancen pga. vægten af maskinens hoved.

⚠FORSIGTIG: Hav altid en flugtvej i tilfælde af, at en afskåret gren falder mod operatøren.

⚠FORSIGTIG: Brug aldrig spidsen af sværdet til skæring. Ellers kan der muligvis opstå farligt tilbageslag, og det kan resultere i personskade.

BEMÆRKNING: Du må aldrig kaste eller tabe maskinen.

BEMÆRKNING: Undlad at tildække maskinens ventilationsåbninger.

BEMÆRKNING: Undlad at presse maskinen. Ellers kan det muligvis beskadige maskinen.

Stå på en stabil overflade og hold maskinen væk fra grenene, så vinklen på maskinen bliver 60° eller mindre i forhold til den vandrette jord.

▶ Fig.31: 1. 60° mm eller mindre

Start maskinen, og tryk derefter savkæden let ind på grenen.

Når der skæres lange grene, skal du, for at kunne kontrollere nedfaldspositionen af afskårne grene, opdele grenen i sektioner og skære grenen fra spidsen. Vær opmærksom på nedfaldende grene, eftersom de kan springe tilbage i retning af operatøren, efter de har ramt jorden.

▶ Fig.32

Ved skæring af tykke grene skal du først lave en ikke særlig dyb underskåren rille og derefter foretage det færdige snit fra toppen.

▶ Fig.33

Hvis du forsøger at skære tykke grene af nedefra, kan grenen lukke omkring den og klemme savkæden fast i snittet. Hvis du forsøger at skære tykke grene af oppefra uden en ikke særlig dyb underskåren rille, kan grenen splintres.

▶ Fig.34

Bæring af maskinen

Før du bærer maskinen, skal du altid fjerne akkuerne fra maskinen og derefter montere sværdbeskytteren. Dæk ligeledes akkuen med batteridækslet.

Undlad at røre ved afbryderknappen, når du bærer maskinen.

▶ Fig.35: 1. Sværdbeskytter 2. Batteridæksel

Brug af maskinen med bærbar strømforsyning

Ekstraudstyr

Brug det hængende bånd, når du bruger maskinen med bærbar strømforsyning.

Fastgørelse af det hængende bånd

1. Fastgør krogene på det hængende bånd til ringene på skulderselen eller bæltet som vist på figuren. Vælg den type bånd og forbindelsesmetode, der passer til dit brug.

▶ Fig.36: 1. Ring 2. Krog

▶ Fig.37: 1. Ring 2. Krog

2. Fastgør krogen til værktøjet.

▶ Fig.38: 1. Krog

Afmontering af værktøjet

Når du sætter maskinen ned, skal du oplåse spændet på det hængende bånd med én hånd, mens du holder maskinen med den anden hånd.

► **Fig.39:** 1. Spænde

BEMÆRK: Spændet er ikke udstyret afhængigt af typen af bånd.

Hvis du behøver at frigøre maskinen hurtigt, skal du følge trinene nedenfor.

1. Skub håndtagene på bæltets spænde for at låse spændet op.

► **Fig.40:** 1. Spænde 2. Håndtag

2. Tag skulderselen af for at frigøre værktøjet og enheden.

► **Fig.41:** 1. Skulderselse

VEDLIGEHOLDELSE

⚠FORSIGTIG: Vær altid sikker på, at værktøjet er slukket, og at akkuen er taget ud, inden De begynder at udføre inspektion eller vedligeholdelse.

⚠FORSIGTIG: Bær altid beskyttelseshandsker, når der udføres eftersyn eller vedligeholdelse.

BEMÆRKNING: Anvend aldrig benzin, rensebenzin, fortynder, alkohol og lignende. Det kan medføre misfarvning, deformation eller revner.

For at opretholde produktets SIKKERHED og PALIDELIGHED må reparation, vedligeholdelse eller justering kun udføres af et autoriseret Makita servicecenter eller fabrikksservicecenter med anvendelse af Makita reservedele.

Slibning af savkæden

Slib savkæden, når:

- Der frembringes melet savsmuld, når der skæres i fugtigt træ,
- Kæden kun gennemskærer træet med besvær, selv hvis der anvendes et kraftigt tryk,
- Skærekanten er tydeligt beskadiget,
- Saven trækker til venstre eller højre i træet. (forårsaget af uensartet slibning af savkæden eller beskadigelse af kun den ene side)

Slib savkæden hyppigt, men kun en smule ad gangen. To eller tre strøg med en fil er sædvanligvis tilstrækkeligt til at udføre en almindelig slibning. Når savkæden er blevet slebet adskillige gange, skal den slibes på vores autoriserede servicecenter.

Slibningskriterier:

⚠ADVARSEL: For stor afstand mellem skærekant og dybdemåleren forøger risikoen for tilbageslag.

► **Fig.42:** 1. Skærerlængde 2. Afstand mellem skærekant og dybdemåler 3. Mindste skærerlængde (3 mm)

- Alle skærerlængder skal være ens. Forskellige skærerlængder vil forhindre savkæden i at køre ubesværet og kan forårsage, at savkæden brækker.
- Slib ikke kæden, når der er nået en skærerlængde på 3 mm eller derunder. Kæden skal udskiftes med en ny.
- Savspånstykkelsen bestemmes af afstanden mellem dybdemåleren (rund næse) og skærekanten.
- De bedste skæresultater opnås med følgende afstand mellem skærekanten og dybdemåleren.
 - Kædeblad 80TXL: 0,65 mm

► **Fig.43**

- Slibningsvinklen på 30° skal være den samme på alle skærere. Forskellige skærevinkler medfører, at kæden kører ujævnt og usartet, fremskynder slitage og medfører, at kæden brækker.
- Brug en passende rund fil, så den korrekte slibningsvinkel holdes mod tænderne.
 - Kædeblad 80TXL: 55°

Fil og korrekt anvendelse af fil

- Anvend en speciel rund fil (ekstraudstyr) til savkæder til at skærpe kæden. Almindelige runde filer er ikke egnede.
- Diameter på den runde fil for hver savkæde er som følger:
 - Kædeblad 80TXL: 4,0 mm
- Filen bør kun være i kontakt med skæreren ved fremadstrøget. Hæv filen fra skæreren ved returstrøget.
- Slib den korteste skærer først. Længden af denne korteste skærer bliver standard for alle skærende led på savkæden.
- Før filen som vist på illustrationen.

► **Fig.44:** 1. Fil 2. Savkæde

- Det er nemmere at føre filen, hvis der anvendes en filholder (ekstraudstyr). Filholderen har afmærkninger til den korrekte slibningsvinkel på 30° (sæt afmærkningerne parallelt med savkæden) og begrænser dybden af gennemskæringen (til 4/5 af fildiameteren).

► **Fig.45:** 1. Filholder

- Kontroller, når kæden er skærpet, højden af dybdemåleren ved hjælp af kædemålerværktøjet (ekstraudstyr).

► **Fig.46**

- Fjern alt fremspringende materiale, hvor småt det end måtte være, ved hjælp af en speciel flad fil (ekstraudstyr).
- Afrund forsiden af dybdemåleren igen.

Rengøring af sværdet

Spåner og savsmuld samler sig i sværdillen. De kan tilstoppe sværdillen og hindre oliestrømningen. Fjern altid spåner og savsmuld, hver gang du sliber eller udskifter savkæden.

► **Fig.47**

Rengøring af kædehjulsdækslet

Spåner og savsmuld samler sig inde i kædehjulsdækslet. Fjern kædehjulsdækslet og savkæden fra maskinen, og fjern derefter spåner og savsmuld.

► Fig.48

Rengøring af olieudløbshullet

Små støv- og andre partikler kan samle sig i olieudløbshullet under arbejdet. Dette støv og andre partikler kan forringe oliestrømmen og medføre en utilstrækkelig smøring af hele savkæden. Rengør olieudløbshullet som vist herunder, hvis oliestrømmen er for svag ved toppen af sværdet.

1. Fjern kædehjulsdækslet og savkæden fra maskinen.
2. Fjern mindre støvdannelse eller partikler ved hjælp af en kærsvkruetrækker eller lignende.
► Fig.49: 1. Kærsvkruetrækker 2. Olieudløbshul
3. Sæt akkuen i maskinen. Tryk på afbryderknappen for at fjerne akkumulerede støv- og andre partikler fra olieudløbshullet ved at lade kædeolie flyde ud.
4. Tag akkuen ud af maskinen. Monter kædehjulsdækslet og savkæden på maskinen igen.

Vejledning i periodisk vedligeholdelse

For at sikre en lang levetid, undgå skader og sikre, at sikkerhedsanordningerne fungerer fuldt ud, skal følgende vedligeholdelse udføres regelmæssigt. Garantikrav godtages kun, hvis dette arbejde er blevet udført regelmæssigt og korrekt. Såfremt den foreskrevne vedligeholdelse ikke udføres, kan det medføre ulykker! Brugeren af maskinen bør ikke udføre vedligeholdelsesarbejde, der ikke er beskrevet i denne brugsvejledning. Alt sådant arbejde bør udføres af vores autoriserede servicecenter.

Kontrolpunkt / Driftstid		Før brug	Hver dag	Hver uge	Hver 3. måned	Årligt	Før opbevaring
Hele maskinen	Inspektion.	✓	-	-	-	-	-
	Rengøring.	-	✓	-	-	-	-
	Kontrolleres på autoriseret servicecenter.	-	-	-	-	✓	✓
Savkæde	Inspektion.	✓	-	-	-	-	-
	Skærpes om nødvendigt.	-	-	-	-	-	✓
Sværd	Inspektion.	✓	✓	-	-	-	-
	Fjern fra maskinen.	-	-	-	-	-	✓
Smøring af kæden	Kontroller olietilførslen.	✓	-	-	-	-	-
Afbryderknap	Inspektion.	✓	-	-	-	-	-
Lås fra-knap	Inspektion.	✓	-	-	-	-	-
Olietankdæksel	Kontroller spændingen.	✓	-	-	-	-	-
Skruer og møtrikker	Inspektion.	-	-	✓	-	-	-

Udskiftning af kædehjulet

⚠FORSIGTIG: Et udtjent kædehjul vil beskadige en ny savkæde. I så fald skal kædehjulet skiftes ud med et nyt.

Kontroller kædehjulets tilstand, inden en ny savkæde monteres. Bed et autoriseret Makita-servicecenter om udskiftning, hvis kædehjulet er slidt eller beskadiget.

► Fig.50: 1. Kædehjul 2. Områder, der slides

Opbevaring af maskinen

1. Rengør maskinen, inden den lægges til opbevaring. Fjern alle spåner og savsmuld fra maskinen, efter at kædehjulsdækslet er taget af.
2. Når maskinen er rengjort, skal den køres uden belastning for at smøre savkæden og sværdet.
3. Dæk sværdet med sværdbeskytteren.
4. Tøm olietanken.

FEJLFINDING

Udfør selv en inspektion, inden De anmoder om reparation. Hvis De opdager et problem, som ikke er forklaret i brugsanvisningen, må De ikke forsøge at adskille maskinen. Rådfør Dem i stedet med et autoriseret Makita Servicecenter, og brug altid originale Makita udskiftningsdele til reparationer.

Fejl	Årsag	Løsning
Maskinen starter ikke.	Akkuen er ikke indsat.	Indsæt en opladet akku.
	Akku-problem (lav spænding).	Genoplad akkuerne. Udskift akkuen, hvis genopladning ikke løser problemet.
Motoren holder op med at køre efter kort tids brug.	Akkuens opladningsniveau er lavt.	Genoplad akkuerne. Udskift akkuen, hvis genopladning ikke løser problemet.
Ingen olie på kæden.	Olietanken er tom.	Fyld olietanken.
	Olieføringssporet er snavset.	Rengør sporet.
Maskinen når ikke den maksimale omdrejningshastighed.	Akkuen er sat forkert i.	Sæt akkuerne i som beskrevet i denne brugervejledning.
	Batteriladningen er faldende.	Genoplad akkuen. Udskift akkuen, hvis genopladning ikke løser problemet.
	Drivsystemet fungerer ikke korrekt.	Bed vores autoriserede servicecenter i dit område om reparation.
Unormale vibration: Stop straks maskinen!	Løst sværd eller savkæde.	Juster sværdets og savkædens spænding.
	Funktionsfejl på maskinen.	Bed vores autoriserede servicecenter i dit område om reparation.
Savkæden kan ikke installeres.	Kombinationen af savkæde og kædehjul er ikke korrekt.	Brug den rigtige kombination af savkæde og kædehjul ved at se afsnittet for specifikationer.

EKSTRAUDSTYR

⚠FORSIGTIG: Det følgende tilbehør og ekstraudstyr er anbefalet til brug med Deres Makita maskine, der er beskrevet i denne brugsanvisning. Anvendelse af andet tilbehør eller ekstraudstyr kan udgøre en risiko for personskade. Anvend kun tilbehør og ekstraudstyr til det beskrevne formål.

Hvis De behøver hjælp ved valg af tilbehør eller ønsker yderligere informationer, bedes De kontakte Deres lokale Makita servicecenter.

- Savkæde
- Sværd
- Sværdbeskytter
- Fil
- Skuldersele
- Kædeolie
- Kædehjul
- Original Makita akku og oplader

⚠ADVARSEL: Hvis du køber et sværd af en anden længde end standardsværdet, skal du også købe en tilsvarende sværdbeskytter sammen med det. Den skal passe til og helt dække sværdet på maskinen.

BEMÆRK: Nogle ting på denne liste kan være inkluderet i værktøjsspakken som standardtilbehør. Det kan være forskellige fra land til land.

SPECIFIKĀCIJAS

Modelis:		DUA200
Kopējais garums (bez vadslīdes un papildierīces)		1620 mm / 2520 mm
Nominālais spriegums		Līdzstrāva 18 V
Neto svars	*1	3,2 kg
	*2	3,2–3,5 kg
Standarta vadslīdes garums		200 mm
Ieteicamais vadslīdes garums	ar 80TXL	200 mm
Piemērotais zāģa ķēdes veids (skatiet tabulu tālāk)		80TXL
Standarta ķēdesrats	Zobu skaits	7
	Solis	0,325"
Ķēdes griešanās ātrums		6,7 m/s (402 m/min)
Ķēdes eļļas tvertnes tilpums		55 cm ³

- Nepārtrauktās izpētes un izstrādes programmas dēļ šeit uzrādītās specifikācijas var tikt mainītas bez brīdinājuma.
- Specifikācijas dažādās valstīs var atšķirties.

*1: Svars ar lielāko akumulatora kasetni, tukšu eļļas tvertni, bez vadslīdes, ķēdes, plecu siksnas un papildierīces saskaņā ar EN ISO11680-1.

*2: Vieglākā un smagākā svara kombinācija saskaņā ar EPTA procedūru 01/2014. Svars var būt atšķirīgs atkarībā no papildierīces(-ēm), tostarp akumulatora kasetnes.

Piemērotā akumulatora kasetne un lādētājs

Akumulatora kasetne	BL1815N / BL1820B / BL1830B / BL1840B / BL1850B / BL1860B
Lādētājs	DC18RC / DC18RD / DC18RE / DC18SD / DC18SE / DC18SF / DC18SH / DC18WC

- Daži no iepriekš norādītajiem lādētājiem un akumulatora kasetnēm var nebūt pieejami atkarībā no jūsu mītnes reģiona.

⚠BRĪDINĀJUMS: Izmantojiet vienīgi iepriekš norādītās akumulatora kasetnes un lādētājus. Cita tipa akumulatora kasetņu un lādētāju izmantošana var radīt traumu un/vai aizdegšanās risku.

Ieteicamais ar vadu savienojamais barošanas avots

Pārnēsājams barošanas bloks	PDC01
-----------------------------	-------

- Iepriekš norādītais(-ie) ar vadu savienojamais(-ie) barošanas avots(-i) var nebūt pieejams(-i) atkarībā no jūsu mītnes reģiona.
- Pirms izmantojat ar vadu savienojamo barošanas avotu, izlasiet instrukcijas un uz tā redzamos brīdinājumus.












Zāģa ķēdes, vadslīdes un ķēdesrata kombinācija

Zāģa ķēdes veids		80TXL
Piedziņas posmu skaits		38
Vadslīde	Vadslīdes garums	200 mm
	Zāģēšanas garums	185 mm
	Solis	0,325"
	Ceļš	1,1 mm
	Veids	Slīde ar ķēdesratu galā
Ķēdesrats	Zobu skaits	7
	Solis	0,325"

▲BRĪDINĀJUMS: Izmantojiet pareizo virzošās sliedes un ķēdes zāģa kombināciju. Citādi var rasties traumas.

Simboli

Tālāk ir attēloti simboli, kas var attiekties uz darbarīka lietošanu. Pirms darbarīka izmantošanas pārliecinieties, vai pareizi izprotat to nozīmi.

	Nepakļaujiet mitruma iedarbībai.
	Izlasiet lietošanas rokasgrāmatu.
	Izmantojiet ķiveri, aizsargbrilles un ausu aizsargus.
	Lietojiet aizsargcimdus.
	Valkājiet izturīgus apavus ar neslīdošām zolēm. Ieteicami apavi ar tērauda purngaliem.
	Uzmanieties no elektrības vadiem, elektrottraumas risks.
	Ieturiet vismaz 15 m attālumu.
	Maksimālais pieļaujamais zāģējuma garums
	Ķēdes ceļa virziens
	Ķēdes eļļas tvertne
	Ni-MH Li-Ion
	Tikai ES valstīm Tā kā šajā aprīkojumā ir bīstamas sastāvdaļas, elektrisko un elektronisko iekārtu, akumulatoru un bateriju atkritumi var negatīvi ietekmēt apkārtējo vidi un cilvēka veselību. Elektroierīces, elektroniskās ierīces un akumulatorus nedrīkst izmest kopā ar mājaisaimniecības atkritumiem! Saskaņā ar Eiropas direktīvu par elektrisko un elektronisko iekārtu atkritumiem, akumulatoriem un baterijām, kā arī akumulatoru un bateriju atkritumiem un šīs direktīvas pielāgošanu valsts tiesību aktiem elektrisko un elektronisko iekārtu, bateriju un akumulatoru atkritumi ir jāglabā atsevišķi un jānogādā uz sadzīves atkritumu dalītās savākšanas vietu, ievērojot attiecīgos vides aizsardzības noteikumus. Par to liecina uz iekārtas redzams simbols ar pārsvītrotu atkritumu konteineru uz riteņiem.



Garantētais skaņas jaudas līmenis saskaņā ar ES Direktīvu par troksni ārpus telpām.



Skaņas jaudas līmenis saskaņā ar Austrālijas NSW trokšņu kontroles noteikumiem

Paredzētā lietošana

Darbarīks paredzēts zaru un stumbru apgriešanai.

Trokšņa līmenis

Tipiskais A svērtais trokšņa līmenis noteikts saskaņā ar ISO22868(ISO11680-1):

Skaņas spiediena līmeni (L_{pA}): 79 dB (A)

Skaņas jaudas līmeni (L_{WA}): 87 dB (A)

Mainīgums (K): 3 dB (A)

PIEZĪME: Paziņotā trokšņa emisijas vērtība noteikta atbilstoši standarta pārbaudes metodei, un to var izmantot, lai salīdzinātu vienu darbarīku ar citu.

PIEZĪME: Paziņoto trokšņa emisijas vērtību arī var izmantot iedarbības sākotnējā novērtējumā.

▲BRĪDINĀJUMS: Lietojiet ausu aizsargus.

▲BRĪDINĀJUMS: Trokšņa emisija patiesos darba apstākļos var atšķirties no paziņotās vērtības atkarībā no darbarīka izmantošanas veida un jo īpaši atkarībā no apstrādājamā materiāla veida.

▲BRĪDINĀJUMS: Lai aizsargātu lietotāju, nosakiet drošības pasākumus, kas pamatoti ar iedarbību reālos darba apstākļos (ņemot vērā visus ekspluatācijas cikla posmus, piemēram, laiku, kamēr darbarīks ir izslēgts un kad darbojas tukšgaitā, kā arī palaides laiku).

Vibrācija

Kreissais rokturis (priekšējais rokturis)		Labais rokturis (aizmugurējais rokturis)		Piemērojamie standarti
Ah (m/s^2)	Nenoteiktība K (m/s^2)	Ah (m/s^2)	Nenoteiktība K (m/s^2)	
2,5 vai mazāk	1,5	2,5 vai mazāk	1,5	ISO22867(ISO11680-1)

PIEZĪME: Paziņotā kopējā vibrācijas vērtība noteikta atbilstoši standarta pārbaudes metodei, un to var izmantot, lai salīdzinātu vienu darbarīku ar citu.

PIEZĪME: Paziņoto kopējo vibrācijas vērtību arī var izmantot iedarbības sākotnējā novērtējumā.

▲BRĪDINĀJUMS: Vibrācijas emisija patiesos darba apstākļos var atšķirties no paziņotās vērtības atkarībā no darbarīka izmantošanas veida un jo īpaši atkarībā no apstrādājamā materiāla veida.

▲BRĪDINĀJUMS: Lai aizsargātu lietotāju, nosakiet drošības pasākumus, kas pamatoti ar iedarbību reālos darba apstākļos (ņemot vērā visus ekspluatācijas cikla posmus, piemēram, laiku, kamēr darbarīks ir izslēgts un kad darbojas tukšgaitā, kā arī palaides laiku).

Atbilstības deklarācijas

Tikai Eiropas valstīm

Atbilstības deklarācijas šajā lietošanas rokasgrāmatā ir iekļautas kā A pielikums.

DROŠĪBAS BRĪDINĀJUMI

Vispārīgi elektrisko darbarīku drošības brīdinājumi

▲BRĪDINĀJUMS Izlasiet visus drošības brīdinājumus, norādījumus un tehniskos datus un izpētiēt ilustrācijas, kas iekļautas šā elektriskā darbarīka komplektā. Neievērojot visus tālāk minētos noteikumus, iespējams elektriskās strāvas triecienu, aizdegšanās un/vai smagu traumu risks.

Glabājiet visus brīdinājumus un norādījumus, lai varētu tajos ieskatīties turpmāk.

Termins „elektrisks darbarīks” brīdinājumus attiecas uz tādu elektrisko darbarīku, ko darbina ar elektrību (ar vadu), vai tādu, ko darbina ar akumulatoru (bez vada).

Drošības brīdinājumi bezvada kāta zāģa lietošanai

Vispārīgie piesardzības pasākumi

1. Pirms darbarīka iedarbināšanas izlasiet šo instrukciju rokasgrāmatu, lai iegūtu visu vajadzīgo informāciju par darbarīka lietošanu.
2. Neaizdodiet darbarīku personai, kurai nav pietiekamas pieredzes vai zināšanu attiecībā uz darbarīka izmantošanu.
3. Aizdodot darbarīku, vienmēr pievienojiet šo instrukciju rokasgrāmatu.
4. Neļaujiet bērniem vai personām, kas nav sasniegušas 18 gadu vecumu, lietot darbarīku. Raugiet, lai viņi neatrastos darbarīka tuvumā.
5. Rīkojieties ar darbarīku maksimāli uzmanīgi un rūpīgi.
6. Neizmantojiet darbarīku pēc alkohola vai narkotiku lietošanas vai ja esat noguris(-usi) vai slims(-a).
7. Nemēģiniet pārveidot darbarīku.
8. Neizmantojiet darbarīku sliktos laikapstākļos, jo īpaši laikā, kad iespējams zibens. Tādējādi samazinās zibens triecienu risks.
9. Valsts likumdošana var ierobežot darbarīka lietošanu. Ievērojiet savas valsts noteikumus par darbarīka izmantošanu.

Individuālās aizsardzības līdzekļi

1. Lietojiet aizsargķiveri, aizsargbrilles un aizsargcimdus, lai sevi pasargātu no lidojošiem griezumiem vai krītošiem priekšmetiem.
2. Lai novērstu dzirdes bojājumus, lietojiet dzirdes aizsarglīdzekļus, piemēram, aizsargaustiņas.
3. Lai izmantošana būtu droša, valkājiet atbilstošu apģērbu un apavus, piemēram, darba kombinēzonu un stingrus, neslidošus apavus. Nevalkājiet brīvi krītošu apģērbu vai rotaslietas. Brīvi krītošs apģērbs, rotaslietas vai gari mati var iekerties kustīgajās daļās.
4. Strādājot ar zāģa ķēdi vai regulējot ķēdes spriegojumu, uzvelciet aizsargcimdus. Zāģa ķēde var nopietni sagriezt kailas rokas.

Darba zonas drošība

1. Raugiet, lai darbarīks atrastos vismaz 15 m attālumā no elektroinījām un saku kabeļiem (tostarp arī no zariem, kas ar tiem saskaras). Darbarīka saskare ar augstsprieguma kabeļiem vai nonāksana to tuvumā var izraisīt smagas vai nāvējošas traumas. Pirms sākat darbu, noskaidrojiet elektrokabeļu un elektrisko žogu atrašanās vietas darba vietas tuvumā.
2. Izmantojiet darbarīku tikai labas redzamības apstākļos un dienas gaismā. Neizmantojiet darbarīku tumsā vai miglā.
3. Izmantošanas laikā nekad nestāviet uz nestabilas vai slidenas virsmas vai uz stāvas nogāzes. Aukstajā gadalaikā uzmanieties no ledus un sniega un vienmēr nodrošiniet stabilu pamatu zem kājām.
4. Izmantošanas laikā nodrošiniet, lai cilvēki vai dzīvnieki atrastos vismaz 15 m attālumā no darbarīka. Izslēdziet darbarīku, tiklīdz kāds tuvojas.
5. Ja strādājat kopā ar diviem cilvēkiem vai vairāk, savā starpā ievērojiet vismaz 15 m distanci un ieceliet darbu vadītāju.
6. Pirms darba sākšanas pārbaudiet, vai darba vietā nav stieņu žogu, sienu vai citu cietu priekšmetu. Šādi priekšmeti var sabojāt zāģa ķēdi.

Sagatavošanās

1. Pirms darbarīka salikšanas vai regulēšanas izslēdziet darbarīku un izņemiet akumulatora kasetni.
2. Pirms strādājat ar zāģa ķēdi vai regulējiet ķēdes spriegojumu, uzvelciet aizsargcimdus.
3. Pirms darbarīka iedarbināšanas pārbaudiet, vai darbarīks nav bojāts, vai nav vajūgu skrūvju/uzgriežņu un vai tas ir pareizi samontēts. Uzasiniet trulu zāģa ķēdi. Ja zāģa ķēde ir saliekta vai bojāta, nomainiet to. Pārbaudiet, vai visas vadības sviras un slēdži darbojas bez pretestības. Notīriet un nožāvējiet rokturus.

4. **Nemēģiniet ieslēgt darbarīku, ja tas ir bojāts vai nav pilnībā samontēts.** Pretējā gadījumā iespējami smagi savainojumi.
5. **Noregulējiet plecu siksnas atbilstīgi operatora ķermeņa izmēram.**
6. **Pareizi noregulējiet ķēdes sprieģojumu. Nepieciešamības gadījumā papildiniet ķēdes eļļu.**

Darbarīka iedarbināšana

1. **Pirms darbarīka iedarbināšanas uzvelciet individuālās aizsardzības līdzekļus.**
2. **Pirms darbarīka iedarbināšanas pārliecinieties, ka darba zonā nav cilvēku vai dzīvnieku.**
3. **Ievietojot akumulatora kasetni, raugiet, lai zāģa ķēde un vadotne neatrastos tuvu pie jūsu ķermeņa un citiem objektiem, tostarp pie zemes. Zāģa ķēde iedarbināšanas laikā var izkustēties, izraisot nopietnus savainojumus vai zāģa ķēdes un/vai īpašuma bojājumus.**
4. **Darbarīku novietojiet uz stingras pamatnes. Saglabājiet līdzsvaru un stabilu pamatu zem kājām.**

Ekspluatācija

1. **Ārkārtas situācijā nekavējoties izslēdziet darbarīku.**
2. **Ja ekspluatācijas laikā ievērojat kādu nepareastu parādību (piem., troksni, vibrāciju), izslēdziet darbarīku. Neizmantojiet darbarīku, kamēr nav konstatēts un novērsts cēlonis.**
3. **Pēc darbarīka izslēgšanas zāģa ķēde vēl īsu brīdi turpina kustēties. Neskarieties uzreiz klāt zāģa ķēdei.**
4. **Lietošanas laikā izmantojiet plecu siksnas. Cieši turiet darbarīku labajā pusē.**
5. **Satveriet priekšējo rokturi ar kreiso roku un aizmugures rokturi ar labo roku neatkarīgi no tā, vai esat labrocis vai kreilis. Aplieciet ap rokturiem gan pirkstus, gan īkšķi.**
6. **Turiet darbarīku tikai aiz roktura izolētajām virsmām, jo zāģa ķēde var skart aplēptus kabeļus. Zāģa ķēde, skarot strāvu vadošus kabeļus, var izveidot kontaktu ar zaru griezēja izvīzītajām metāla daļām, un operators var saņemt strāvas triecienu.**
7. **Nemēģiniet izmantot darbarīku ar vienu roku. Kontroles zaudēšana var izraisīt smagas vai nāvējošas traumas. Lai mazinātu traumu risku, turiet rokas un kājas pēc iespējas tālāk no zāģa ķēdes.**
8. **Nesniedzieties pārāk tālu. Vienmēr stingri stāviet uz droša pamata, saglabājot līdzsvaru. Lai nepakluptu, uzmanieties no slēptiem šķēršļiem, piemēram, celmiem, saknēm un bedrēm. Novāciet nokritušos zarus un citus priekšmetus.**
9. **Lai nezaudētu kontroli, nekad nestrādājiet, atrodoties uz kāpnēm vai kokā.**
10. **Ja darbarīks ir saņēmis smagu triecienu vai kritis, pārbaudiet tā stāvokli, pirms turpināt darbu. Ja ir bojājumi vai rodas šaubas, vērsieties Makita pilnvarotajā apkopes centrā, lai veiktu pārbaudi un remontu.**
11. **Nepieskarieties darbarīka galvai. Ekspluatācijas laikā darbarīka galva ļoti sakarst.**
12. **Regulāri atpūties, lai noguruma dēļ nezaudētu kontroli. Mēs iesakām katru stundu ievērot 10–20 minūšu pauzi.**
13. **Atstājot darbarīku pat uz īsu brīdi, vienmēr izslēdziet darbarīku un izņemiet akumulatora kasetni. Nepieskatītu darbarīku, kas darbojas, var izmantot nepiederoša persona un izraisīt nopietnu negadījumu.**
14. **Strādājot ar darbarīku, neceliet savu labo roku augstāk par pleca augstumu.**
15. **Darba laikā raugiet, lai zāģa ķēde neatsistos pret cietiem priekšmetiem, piemēram, pret akmeņiem un naglām. Esiet īpaši uzmanīgs, zāģējot zarus sienu, stieplu žogu un līdzīgu objektu tuvumā.**
16. **Ja darbarīkā iekeras zari, vienmēr izslēdziet darbarīku un izņemiet akumulatora kasetni. Pretējā gadījumā, nejauši iedarbinot darbarīku, iespējams izraisīt nopietnus ievainojumus.**
17. **Ja zāģa ķēde iekeras, pirms tīrīšanas vienmēr izslēdziet darbarīku un izņemiet akumulatora kasetni.**
18. **Pirms stumbru zāģēšanas nodrošiniet, lai jums ir atkāpšanās ceļš no kritošā stumbra. Pirmkārt, aizvāciet no darba zonas dažādus šķēršļus, kā stumbrus un zarus. Pārvietojiet visus darbarīkus un priekšmetus no atkāpšanās zonas uz kādu citu drošu vietu.**
19. **Pirms zaru un stumbru zāģēšanas pārbaudiet to krišanas virzienu, ņemot vērā zaru un stumbru stāvokli, apkārt esošos kokus, vēja virzienu u. c. faktorus. Pievērsiet īpašu uzmanību krišanas virzienam un zaru atsišanās virzienam, kad tie nokrīt uz zemes.**
20. **Nekādā gadījumā neturiet darbarīku leņķī, kas pārsniedz 60°. Pretējā gadījumā kritoši priekšmeti var skart operatoru un izraisīt nopietnus savainojumus. Nekādā gadījumā nestāviet zem stumbra, ko plānojat zāģēt.**
21. **Pievērsiet uzmanību salauztiem vai saliektiem zariem. Tie zāģēšanas vietā var strauji atliekties, izraisot negadītus savainojumus.**
22. **Pirms paredzēto stumbru zāģēšanas aizvāciet ap tiem esošos zarus un lapas. Pretējā gadījumā zāģa ķēde var tajos iekerties.**
23. **Lai zāģa ķēde neieķertos iezāģējuma vietā, neatlaidiet sviru, kad velkat zāģa ķēdi ārā no iezāģējuma vietas.**
24. **Ja zāģa ķēde ir iekērusies iezāģējuma vietā, nekavējoties apturiet darbarīku un uzmanīgi pakustiniet zaru, lai pavērtu iezāģējuma vietu un atbrīvotu zāģa ķēdi.**
25. **Nepieļaujiet atsitieni (rotācijas reaktīvo spēku operatora virzienā). Lai izvairītos no atsitiena, zāģēšanai neizmantojiet vadotnes smaili un neveiciet griezumu ar smaili dziļumā. Vienmēr pievērsiet uzmanību vadotnes smailes pozīcijai.**
26. **Regulāri pārbaudiet ķēdes nosprieģojumu. Kad veicat ķēdes nosprieģojuma pārbaudi un pielagošanu, izslēdziet darbarīku un izņemiet akumulatora kasetni. Ja nosprieģojums ir nepietiekams, pievelciet.**

Vibrācija

1. **Pārmērīga vibrācija kaitīgi ietekmē lietotāja asinsvadus un nervu sistēmu un pirkstos, rokās un locītavās izraisa šādus simptomus: „iemīgšanu” (nejutīgumu), tirpšanu, sāpes, durstīgas sajūtas, ādas vai tās krāsas izmaiņas. Ja novērojami kādi no minētajiem simptomiem, apmeklējiet ārstu.**
Lai samazinātu „balto pirkstu slimības” rašanās risku, ekspluatācijas laikā uzturiet rokas siltas un veiciet kārtīgu darbarīka un piederumu apkopi.
Attiecībā uz darbības laiku ievērojiet vietējos noteikumus vai ārsta ieteikumus.

Transportēšana

1. **Pirms darbarīka transportēšanas izslēdziet darbarīku un izņemiet akumulatora kasetni. Vienmēr transportēšanas laikā uzstādiet vadotnes vāku.**
2. **Transportējot darbarīku, nesiet to horizontālā stāvoklī, turot aiz rokturu.**

Tehniskā apkope

1. **Nododiet darbarīku apkopei pilnvarotā apkopes centrā un vienmēr izmantojiet tikai oriģinālās rezerves daļas.** Nepareiza labošana un slikta apkope var saīsināt darbarīka kalpošanas laiku un palielināt negadījumu risku.
2. **Pirms darbarīka apkopes, remonta vai tīrīšanas vienmēr izslēdziet darbarīku un izņemiet akumulatora kasetni.** Nogaidiet, līdz darbarīks atdziest.
3. **Strādājot ar zāģa ķēdi, vienmēr lietojiet aizsargcimdus.**
4. **Pēc katras lietošanas reizes pievelciet visas skrūves un uzgriežņus, izņemot regulēšanas skrūves.**
5. **Gādājiet, lai zāģa ķēde ir uzasināta.** Ja zāģa ķēde ir palikusi trula un zāģēšanas rezultāts ir slikts, uzticiet Makita pilnvarotajam apkopes centram to uzasināt vai nomainīt ar jaunu.
6. **Neveiciet nekādus apkopes vai remonta darbus, kas nav norādīti šajā instrukciju rokasgrāmatā.** Šādus darbus uzticiet Makita pilnvarotā apkopes centra speciālistiem.
7. **Vienmēr izmantojiet tikai Makita oriģinālās rezerves daļas un piederumus.** Izmantojot trešo pušu nodrošinātās detaļas un piederumus, iespējami darbarīka bojājumi, īpašuma bojājumi un/vai smagi ievainojumi.

Glabāšana

1. **Pirms darbarīka novietošanas glabāšanai veiciet visas tīrīšanas un apkopes procedūras.** Uzstādiet vadotnes vāku. Izņemiet akumulatora kasetni. Kad darbarīks ir atdzisis, iztecīniet ķēdes eļļu.
2. **Glabājiet darbarīku sausā un augstā vai aizslēgtā vietā, kas nav pieejama bērniem.**
3. **Neatbalstiet darbarīku, piemēram, pret sienu.** Tas var pēkšņi krist un izraisīt traumas.

Elektrodrošība un akumulatora drošība

1. **Neatbrīvojieties no akumulatora(-iem), to(-s) dedzinot.** Var rasties eksplozija. Skatiet attiecīgos valsts noteikumus, lai uzzinātu īpašus

norādījumus izmešanai atkritumos.

2. **Akumulatoru(-s) nedrīkst atvērt vai sabojāt.** Iztecējušais elektrolīts ir kodīgs un var nodarīt kaitējumu acīm vai ādai. Norijot tas var būt toksisks.
3. **Nelādējiet akumulatoru lietū vai mitrās vietās.**
4. **Nelādējiet akumulatoru ārpus telpām.**
5. **Neaiztieciet lādētāju, kā arī lādētāja spraudni vai spaiļes ar slapjām rokām.**
6. **Izvairieties no bīstamas vides.** Darbarīku neizmantojiet mitrās vai slapjās vietās un lietū. Ja darbarīkā iekļūš ūdens, palielināsies elektrotraumas rašanās draudi.

SAGLABĀJIET ŠOS NORĀDĪJUMUS.

▲BRĪDINĀJUMS: NEPIEĻAUJIET to, ka labu iemaņu vai izstrādājuma labas pārzināšanas (darbarīku atkārtoti ekspluatējot) rezultātā vairs stingri neievērojāt šīs izstrādājuma drošības noteikumus. NEPAREIZI LIETOJOT darbarīku vai neievērojot šajā instrukciju rokasgrāmatā minētos drošības noteikumus, var tikt gūtas smagas traumas.

Svarīgi drošības norādījumi par akumulatora kasetni

1. **Pirms akumulatora lietošanas izlasiet visus norādījumus un brīdinājumus, kuri attiecas uz (1) akumulatora lādētāju, (2) akumulatoru un (3) ierīci, kurā tiek izmantots akumulators.**
2. **Akumulatora kasetni nedrīkst ne pārveidot, ne izjaukt.** Citādi var tikt izraisīta aizdegšanās, pārmērīgs karstums vai sprādziens.
3. **Ja akumulatora darbības laiks kļūva ievērojami īsāks, nekavējoties pārtrauciet to izmantot.** Citādi, tas var izraisīt pārkarsējumu, uzliesmojumu vai pat sprādzienu.
4. **Ja elektrolīts nonāk acīs, izskalojiet tās ar tīru ūdens un nekavējoties griezieties pie ārsta.** Tas var izraisīt redzes zaudēšanu.
5. **Neradiet īssavienojumu akumulatora kasetnē:**
 - (1) **Nepieskarieties spaiļēm ar elektrību vadošiem materiāliem.**
 - (2) **Neuzglabājiet akumulatoru kasetni kopā ar citiem metāla priekšmetiem, tādiem kā naglas, monētas u. c.**
 - (3) **Nepakļaujiet akumulatora kasetni ūdens vai lietus iedarbībai.**Akumulatora īssavienojums var radīt spēcīgu strāvas plūsmu, pārkarsēšanu, uzliesmojumu un pat sabojāt akumulatoru.
6. **Neglabājiet un neizmantojiet darbarīku un akumulatora kasetni vietās, kur temperatūra var sasniegt vai pārsniegt 50 °C (122 °F).**
7. **Nedeziniet akumulatora kasetni, pat ja tā ir stipri bojāta vai pilnībā nolietota.** Akumulatora kasetne ugunī var eksplodēt.
8. **Akumulatora kasetni nedrīkst naglot, griezt, saspīest, mest vai nomest, kā arī pa to nedrīkst sist ar cietu priekšmetu.** Šādas darbības var izraisīt aizdegšanos, pārmērīgu karstumu vai sprādzienu.

9. **Neizmantojiet bojātu akumulatoru.**
10. **Uz izmantotajiem litija jonu akumulatoriem attiecas likumdošanas prasības par bīstamiem izstrādājumiem.**
Komerציālā transportēšanā, ko veic, piemēram, trešās puses, transporta uzņēmumi, jāievēro uz iesaiņojuma un marķējuma norādītās īpašās prasības.
Lai izstrādājumu sagatavotu nosūtīšanai, jāsaziņās ar bīstamo materiālu speciālistu. Ievērojiet arī citus attiecināmos valsts normatīvus.
Vajējus kontaktus nosedziet ar līmlenti vai citādi pārklājiet, bet akumulatoru iesaiņojiet tā, lai sānīt tas nevarētu izkustēties.
11. **Lai utilizētu akumulatora kasetni, izņemiet to no darbarīka un likvidējiet drošā vietā. Ievērojiet vietējos noteikumus par akumulatora likvidēšanu.**
12. **Izmantojiet šos akumulatorus tikai ar izstrādājumiem, kurus norādījis Makita.** Ievietojot šos akumulatorus nesaderīgos izstrādājumos, var rasties ugunsgrēks, pārmērīgs karstums, tie var uzsprāgt vai no tiem var iztecēt elektrolīts.
13. **Ja darbarīks netiks lietots ilgu laiku, no tā jāizņem akumulators.**
14. **Lietošanas laikā vai pēc tās akumulatora kasetne var uzkrāt siltumu, kas var izraisīt apdegumus vai zemas temperatūras apdegumus. Ar karstu akumulatora kasetni apejieties rūpīgi.**
15. **Nepieskarieties darbarīka izvadam uzreiz pēc lietošanas, jo tas var būt sakarsis un izraisīt apdegumus.**
16. **Neļaujiet akumulatora kasetnes spailēs, atverēs un rievās uzkrāties skaidām, putekļiem vai netīrumiem. Tas var izraisīt sasilšanu, aizdegšanos, sprādzienu un instrumenta vai akumulatora kasetnes nepareizu darbību, un lietotājs var gūt apdegumus vai ievainojumus.**
17. **Neizmantojiet akumulatora kasetni augstsprieguma līniju tuvumā, izņemot gadījumus, kad darbarīks ir piemērots lietošanai augstsprieguma līniju tuvumā. Citādi darbarīks vai akumulatora kasetne var sākt darboties nepareizi vai tikt sabojāti.**
18. **Glabājiet akumulatoru bērniem nepieejamā vietā.**

SAGLABĀJIET ŠOS NORĀDĪJUMUS.

▲UZMANĪBU: Lietojiet tikai oriģinālos Makita akumulatorus. Ja lietojat neoriģinālus Makita akumulatorus vai pārveidotus akumulatorus, tie var uzsprāgt un izraisīt aizdegšanos, traumas un materiālos zaudējumus. Tīks anulēta arī Makita darbarīka un lādētāja garantija.

Ieteikumi akumulatora kalpošanas laika pagarināšanai

1. **Uzlādējiet akumulatora kasetni, pirms tā ir pilnībā izlādējusies. Vienmēr, kad ievērojat, ka darbarīka darba jauda zudusi, apturiet darbarīku un uzlādējiet akumulatora kasetni.**
2. **Nekad neuzlādējiet pilnībā uzlādētu akumulatora kasetni. Pārmērīga uzlāde saīsina akumulatora kalpošanas laiku.**
3. **Uzlādējiet akumulatora kasetni istabas temperatūrā 10 °C - 40 °C. Karstai akumulatora kasetnei pirms uzlādes ļaujiet atdzist.**
4. **Kad akumulatora kasetne netiek izmantota, izņemiet to no darbarīka vai lādētāja.**
5. **Uzlādējiet litija jonu akumulatora kasetni, ja to ilgstoši nelietosit (vairāk nekā sešus mēnešus).**

DETAĻU APRAKSTS

► Att.1

1	Roktura modulis	2	Vidējais pagarinājuma stienis	3	Zāģa galvas modulis
4	Cilpa	5	Atbloķēšanas poga	6	Akumulatora kasetne
7	Slēdža mēlīte	8	Aizmugures rokturis	9	Zāģa ķēde
10	Virzošā sliede	11	Eļļas tvertnes vāciņš	12	Svira
13	Galvas leņķa regulēšanas poga	14	Vadsliedes vāks	15	Priekšējais rokturis

FUNKCIJU APRAKSTS

⚠UZMANĪBU: Pirms darbarīka regulēšanas vai tā darbības pārbaudes vienmēr pārlicinieties, ka darbarīks ir izslēgts un akumulatora kasetne ir izņemta.

Akumulatora kasetnes uzstādīšana un izņemšana

⚠UZMANĪBU: Vienmēr pirms akumulatora kasetnes uzstādīšanas vai noņemšanas izslēdziet darbarīku.

⚠UZMANĪBU: Uzstādot vai izņemot akumulatora kasetni, darbarīku un akumulatora kasetni turiet cieši. Ja darbarīku un akumulatora kasetni netur cieši, tie var izkrist no rokām un radīt bojājumus darbarīkam un akumulatora kasetnei, kā arī izraisīt ievainojumus.

Lai uzstādītu akumulatora kasetni, salāgojiet akumulatora kasetnes mēlīti ar rievu ietvarā un iebīdīet to vietā. Ievietojiet to līdz galam, līdz tā ar klikšķi nofiksējas. Ja redzams attēlā parādītais sarkanais krāsas indikators, tas nozīmē, ka tas nav pilnīgi nofiksēts.

Lai izņemtu akumulatora kasetni, izvelciet to no darbarīka, pārīdodot kasetnes priekšpusē esošo pogu.

► **Att.2:** 1. Sarkanais krāsas indikators 2. Pogā 3. Akumulatora kasetne

⚠UZMANĪBU: Vienmēr ievietojiet akumulatora kasetni tā, lai sarkanais indikators nebūtu redzams. Pretēji gadījumā tā var nejausī izkrist no darbarīka un izraisīt jums vai apkārtējiem traumas.

⚠UZMANĪBU: Neievietojiet akumulatora kasetni ar spēku. Ja kasetne neslīd ietvarā viegli, tā nav pareizi ielikta.

Atlikušās akumulatora jaudas indikators

Tikai akumulatora kasetnēm ar indikatoru

Nospiediet akumulatora kasetnes pārbaudes pogu, lai pārbaudītu akumulatora atlikušo uzlādes līmeni. Indikatoru iedegsies uz dažām sekundēm.

► **Att.3:** 1. Indikatora lampas 2. Pārbaudes pogu

Indikatora lampas			Atlikusī jauda
Iededzies	Izslēgts	Mirgo	
■	□	◐	
■ ■ ■ ■			No 75% līdz 100%
■ ■ ■ □			No 50% līdz 75%
■ ■ □ □			No 25% līdz 50%
■ □ □ □			No 0% līdz 25%
◐ □ □ □			Uzlādējiet akumulatoru.

Indikatora lampas			Atlikusī jauda
Iededzies	Izslēgts	Mirgo	
■	□	◐	Iespējama akumulatora kļūme.
■ ■ □ □	↑ ↓	□ □ ■ ■	

PIEZĪME: Reālā jauda var nedaudz atšķirties no norādītās atkarībā no lietošanas apstākļiem un apkārtējās temperatūras.

PIEZĪME: Akumulatora aizsardzības sistēmas darbības laikā mirgo pirmais (kreisais malējais) indikators.

Darbarīka/akumulatora aizsardzības sistēma

Darbarīkam ir darbarīka/akumulatora aizsardzības sistēma. Šī sistēma automātiski izslēdz strāvas padevi motoram, lai pagarinātu darbarīka un akumulatora darbmūžu. Lietošanas laikā darbarīks automātiski pārstās darboties, ja darbarīku vai akumulatoru pakļaus kādam no šādiem apstākļiem.

Aizsardzība pret pārslodzi

Ja akumulatoru lieto tā, ka tas patērē pārmērīgi lielu strāvas daudzumu, darbarīks automātiski pārstāj darboties. Šādā gadījumā atlaidiet slēdža mēlīti, lai apturētu darbarīku, un pārtrauciet darbību, kas izraisīja darbarīka pārslodzi. Pēc tam nospiediet atbloķēšanas pogu un nospiediet slēdža mēlīti, lai atsāktu darbību.

Aizsardzība pret pārkaršanu

Kad darbarīks vai akumulators ir pārkaris, darbarīks automātiski pārstāj darboties. Šādā gadījumā ļaujiet darbarīkam un akumulatoram atdzist un tikai pēc tam atkal ieslēdziet darbarīku.

PIEZĪME: Strādājot augstas temperatūras vidē, var aktivizēties pārkaršanas aizsardzības mehānisms, un darbarīks automātiski izslēgsies.

Aizsardzība pret akumulatora pārmērīgu izlādi

Ja atlikusī akumulatora jauda ir nepietiekama, darbarīks automātiski pārstāj darboties. Šādā gadījumā izņemiet no darbarīka akumulatoru un uzlādējiet to.

Slēdža darbība

⚠ABRĪDINĀJUMS: Jūsu drošības nolūkos šis darbarīks ir aprīkots ar atbloķēšanas pogu, kas nepieļauj darbarīka iedarbināšanu bez uzraudzības. **AIZLIEGTS** lietot darbarīku, ja tas ieslēdzas, kad nospiežat slēdža mēlīti bez atbloķēšanas pogas nospiešanas. **PIRMS** turpmākas lietošanas nododiet darbarīku pilnvarotā apkopes centrā, lai veiktu pienācīgu remontu.

⚠ABRĪDINĀJUMS: NEKĀDĀ GADĪJUMĀ nenošieniet atbloķēšanas pogu un neignorējiet tās mērķi un funkcijas.

⚠UZMANĪBU: Pirms akumulatora kasetnes uzstādīšanas darbarīkā vienmēr pārbaudiet, vai slēdža mēlīte darbojas pareizi un pēc atlaišanas atgriežas stāvoklī „OFF” (Izslēgts).

IEVĒRĪBAI: Nevelciet slēdža mēlīti ar spēku, nenospiežot atbloķēšanas pogu. Tā var sabojāt slēdzi.

Lai novērstu nejaušu slēdža mēlītes piespiešanu, darbarīks ir aprīkots ar atbloķēšanas pogu. Lai ieslēgtu darbarīku, nospiediet atbloķēšanas pogu un pēc tam nospiediet slēdža mēlīti. Lai apturētu darbarīku, atlai-
nosdiediet slēdža mēlīti.

▶ **Att.4:** 1. Slēdža mēlīte 2. Atbloķēšanas pogu

Elektronika

Lai atvieglotu lietošanu, darbarīks ir aprīkots ar elektro-
niskām funkcijām.

- Elektrobremze
Šis darbarīks ir aprīkots ar elektrobremzi. Ja darbarīks regulāri neapstājas uzreiz pēc slēdža mēlītes atlaišanas, nododiet darbarīku Makita apkopes centrā, lai to salabotu.

MONTĀŽA

⚠BRĪDINĀJUMS: Nekad nesavienojiet divas vai vairākas kāta pagarinājuma papildierīces. Pretējā gadījumā kontroles zaudēšana var izraisīt smagas traumas.

⚠UZMANĪBU: Pirms jebkādu darbu veikšanas ar darbarīku obligāti pārbaudiet, vai akumulatora kasetne ir izņemta.

⚠UZMANĪBU: Zāga ķēdei nedrīkst pieskarties ar kailām rokām. Rīkojoties ar zāga ķēdi, vienmēr valkājiet cimdus.

Moduļu montāža

⚠UZMANĪBU: Montējot zāga galvas moduli, vidējo pagarinājuma stieni un roktura moduli, novietojiet moduļus zemē. Ja moduli montē vertikālā pozīcijā, tas var nokrist un tīrīt apkārtējiem priekšmetiem vai cilvēkiem, izraisot negadījumu vai traumu.

⚠UZMANĪBU: Vienmēr pārbaudiet, vai uzmava ir kārtīgi uzskrūvēta. Nepilnīga uznavas uzskrūvēšana var izraisīt stiprinājumu atdalīšanos, radot traumas.

▶ **Att.5:** 1. Zāga galvas modulis 2. Vidējais pagarinājuma stienis 3. Roktura modulis

1. Savietojiet trijstūra atzīmes uz moduļiem un ievietojiet vienu moduli otrā.

Mēlīte ievietojas rievā.

▶ **Att.6:** 1. Trijstūra atzīme 2. Mēlīte 3. Rieva

2. Uzbīdīet uzmavu līdz vītnei un grieziet uzmavu pulksteņrādītāju kustības virzienā, līdz tā apstājas.

Uzmavai pilnībā jānosedz vītnes gals, kā parādīts attēlā.

▶ **Att.7:** 1. Uzmava

Darbarīka saīsināšana

Lai saīsinātu darbarīku, savienojiet zāga galvas moduli un roktura moduli tieši, bez vidējā pagarinājuma stieņa, kā parādīts attēlā.

▶ **Att.8:** 1. Zāga galvas modulis 2. Roktura modulis

Zāga ķēdes noņemšana vai uzstādīšana

⚠UZMANĪBU: Zāga ķēde un virzošā sliede uzreiz pēc ekspluatācijas vēl ir karsta. Tām vispirms jāatdziest, tikai tad drīkst darbarīku apkopt.

⚠UZMANĪBU: Zāga ķēde jāuzstāda vai jānoņem tīrā vietā, kur nav zāgu skaidu un līdzīgu materiālu.

Zāga asmens noņemšana

Lai noņemtu zāga ķēdi, veiciet šeit norādītās darbības.

1. Pavelciet sviru uz augšu.

▶ **Att.9:** 1. Svira

2. Sviru grieziet pretēji pulksteņrādītāju kustības virzienam, līdz ķēdesrata aizsargu var noņemt.

▶ **Att.10:** 1. Svira 2. Ķēdesrata pārsegs

3. Noņemiet ķēdesrata pārsegu, pēc tam noņemiet zāga ķēdi un zāga sliedi no darbarīka korpusa.

Zāga ķēdes uzstādīšana

Lai zāga ķēdi uzliktu, veiciet šeit norādītās darbības.

1. Pavelciet sviru uz augšu.

▶ **Att.11:** 1. Svira

2. Sviru grieziet pretēji pulksteņrādītāju kustības virzienam, līdz ķēdesrata aizsargu var noņemt.

▶ **Att.12:** 1. Svira 2. Ķēdesrata aizsargs

3. Noņemiet ķēdesrata aizsargu.

4. Savietojiet caurumu zāga sliedē ar tapu uz darbarīka korpusa un pēc tam novietojiet zāga sliedi, kā parādīts attēlā.

▶ **Att.13:** 1. Zāga sliede 2. Caurums 3. Tapu

5. Bīdīet zāga sliedi uz ķēdesrata pusi, lai nofiksētu tapu.

▶ **Att.14:** 1. Zāga sliede 2. Tapu

6. Noņemiet zāga sliedi no darbarīka korpusa.

7. Pārbaudiet, kurā virzienā vērsta zāga ķēde. Zāga ķēdes virzienam ir jāskrīt ar virziena atzīmi uz darbarīka korpusa.

▶ **Att.15:** 1. Atzīme uz darbarīka korpusa

8. Uzlieciet zāga ķēdes vienu galu uz vadsliedes gala.

9. Otru zāģa ķēdes galu aplieciet ap ķēdesratu un pēc tam piestipriniet zāģa sliedi pie darbarīka korpusa tā, lai zāģa sliedes caurums sakristu ar korpusa tapu.

► **Att.16:** 1. Ķēdesrats

Piespiediet zāģa sliedi pret darbarīka korpusu, lai atbrīvotu tapu. Zāģa ķēdes spriegojums tiek noregulēts automātiski.

► **Att.17:** 1. Zāģa ķēde 2. Tapa 3. Ķēdesrats

10. Novietojiet ķēdesrata pārsegu tā, lai skrūve un tapa uz darbarīka korpusa sakristu ar tiem atbilstošajiem elementiem uz ķēdesrata pārsega.

► **Att.18:** 1. Ķēdesrata aizsargs 2. Bultskrūve 3. Tapa

11. Pagrieziet sviru pulksteņrādītāju kustības virzienā un cieši pievelciet, lai nostiprinātu ķēdesrata pārsegu, pēc tam atlieciet sviru sākotnējā pozīcijā.

► **Att.19:** 1. Svira 2. Ķēdesrata pārsegs

Pārbaudiet, vai zāģa ķēdes dzenošais posms ir stingri ievietots ķēdesratā un vai zāģa ķēde ir pareizi ievietota vadslīdes ķēdes rievā.

Gādājiet, lai zāģa ķēde nekļūtu vaļīga un lai to varētu netraucēti pakustināt uz priekšu un atpakaļ. Ja nepieciešams, noregulējiet zāģa ķēdes nospriegojumu, atsauciet skatot sadaļu par zāģa ķēdes nospriegojuma regulēšanu.

Zāģa ķēdes nospriegojuma regulēšana

⚠UZMANĪBU: Ķēde, kas ir pārāk vaļīga, var nokrist no sliedes, un tas var izraisīt ievainojumu vai negadījumu.

Pēc daudzām ekspluatācijas stundām zāģa ķēde var kļūt vaļīga. Ik pa laikam pirms ekspluatācijas pārbaudiet zāģa ķēdes nospriegojumu.

Ja zāģa ķēde ir vaļīga, noregulējiet tās nospriegojumu.

1. Pavelciet sviru uz augšu.

► **Att.20:** 1. Svira

2. Nedaudz pagrieziet sviru pretēji pulksteņrādītāju kustības virzienam, lai mazliet atbrīvotu ķēdesrata pārsegu. Zāģa ķēdes spriegojums tiek noregulēts automātiski.

► **Att.21:** 1. Svira 2. Ķēdesrata pārsegs

3. Pagrieziet sviru pulksteņrādītāju kustības virzienā un cieši pievelciet, lai nostiprinātu ķēdesrata pārsegu, pēc tam atlieciet sviru sākotnējā pozīcijā.

► **Att.22:** 1. Svira 2. Ķēdesrata pārsegs

Galvas leņķa regulēšana

⚠UZMANĪBU: Regulējot galvas leņķi, uzlieciet vadslīdes vāku, lai negūtu traumas.

⚠UZMANĪBU: Uzmanieties, lai neiespiestu pirkstus starp galvu un stieni.

Galvu var pielāgot 9 leņķos. Veiciet tālāk aprakstītās darbības.

1. Turiet darbarīku, kā parādīts attēlā, un spiežot galvas leņķa regulēšanas pogu, noregulējiet galvu vajadzīgajā leņķī.

► **Att.23:** 1. Galvas leņķa regulēšanas poga 2. Galva

2. Atlaidiet galvas leņķa regulēšanas pogu un pārliecinieties, vai tā atgriežas sākotnējā pozīcijā.

IEVĒRĪBAI: Ja galvas leņķa regulēšanas poga neatgriežas sākotnējā pozīcijā, mazliet pakustiniet galvu, līdz poga ar klikšķi atlec vietā.

IEVĒRĪBAI: Pirms lietošanas pārbaudiet, vai galva ir droši nostiprināta.

EKSPLUATĀCIJA

Eļļošana

IEVĒRĪBAI: Ja ķēdes eļļu iepildāt pirmo reizi vai tvertni uzpildāt pēc tās pilnīgas iztukšošanas, eļļu iepildiet līdz ielietnes apakšējai malai. Nepiepildīšanas gadījumā eļļas padeve var būt traucēta.

IEVĒRĪBAI: Izmantojiet tikai Makita ķēdes zāģiem īpaši paredzēto zāģa ķēdes eļļu vai līdzvērtīgu veikalā nopērkamu eļļu.

IEVĒRĪBAI: Nekad neizmantojiet eļļu, kas satur putekļus un sīkas daļiņas, vai eļļu, kas ātri iztvaiko.

IEVĒRĪBAI: Apzāģējot kokus, lietojiet augu eļļu. Minerāleļļa var kaitēt kokiem.

IEVĒRĪBAI: Pirms zāģēšanas darbībām pārliecinieties, ka eļļas tvertnes vāciņš ir ieskrūvēts vietā.

Zāģa ķēde darba laikā tiek eļļota automātiski. Regulāri pārbaudiet eļļas tvertne atlikušo eļļas daudzumu.

► **Att.24:** 1. Eļļas tvertne

Lai uzpildītu tvertni, novietojiet darbarīku uz līdzenas virsmas un pēc tam noņemiet eļļas tvertnes vāciņu, to pagriežot.

Pareizais eļļas daudzums ir 55 cm³. Kad tvertne ir uzpildīta, aizveriet un cieši pievelciet eļļas tvertnes vāciņu.

► **Att.25:** 1. Eļļas tvertnes vāciņš 2. Eļļas tvertne (caurspīdīga)

Pēc uzpildīšanas turiet darbarīku atstatu no koka. Iedarbiniet darbarīku un pagaidiet, līdz zāģa ķēde ir pietiekami ieeļļota.

► **Att.26**

Pleca siksnas piestiprināšana

⚠ UZMANĪBU: Ja izmantojat darbarīku kopā ar mugursomas tipa pārnēsājamo barošanas avotu, piemēram, pārnēsājamo barošanas bloku, izmantojiet nevis darbarīka komplektā iekļauto plecu siksnas sistēmu, bet gan Makita ieteikto piekaramo lenti.

Ja valkājat plecu siksnu, kas iekļauta darbarīka komplektā, reizē ar mugursomas tipa pārnēsājamo barošanas avota plecu siksnu, ārkārtas situācijā ir apgrūtināti noņemt darbarīku vai mugursomas tipa pārnēsājamo barošanas avotu un var rasties negadījums vai traumas. Informāciju par ieteiktajām piekaramajām lentēm jautājiet Makita pilnvarotajos apkopes centros.

⚠ UZMANĪBU: Vienmēr piestipriniet plecu siksnu pie darbarīka. Pirms darbarīka lietošanas plecu siksnā jāpiemēro lietotāja augumam, lai mazinātu nogurumu.

⚠ UZMANĪBU: Pirms darba sākšanas pārbaudiet, vai plecu siksnā ir pareizi piestiprināta pie darbarīka āķa.

⚠ UZMANĪBU: Pirms darba pārliecinieties, ka plecu siksnas sprādzes ir cieši nostiprinātas.

⚠ UZMANĪBU: Vienmēr izmantojiet šim darbarīkam paredzēto plecu siksnu. Neizmantojiet citas plecu siksnas.

1. Plecu siksnu valkājiet uz kreisā pleca.
▶ **Att.27**
2. Ieāķējiet plecu siksnas āķi darbarīka cilpā.
▶ **Att.28:** 1. Āķis 2. Cilpa
3. Noregulējiet plecu siksnu, lai varētu ērti strādāt.
▶ **Att.29**

Plecu siksnā ir aprīkota ar ātrās atbrīvošanas mehānismu.

Vienkārši saspiediet mēlītes abās sprādzēs pusēs, lai ātri atvienotu darbarīku no plecu siksnas.

▶ **Att.30:** 1. Sprādze

Darbs ar darbarīku

⚠ UZMANĪBU: Kad darbojas dzinējs, ķēdes zāģim netuviniet nevienu ķermeņa daļu.

⚠ UZMANĪBU: Kad motors darbojas, stingri turiet darbarīku ar abām rokām.

⚠ UZMANĪBU: Nestiepieties. Vienmēr stingri stāviet uz piemērota atbalsta un saglabājiet līdzsvaru.

⚠ UZMANĪBU: Zāģējot zarus, uzmanieties, lai darbarīka galvas lielā svāra dēļ nezaudētu līdzsvaru.

⚠ UZMANĪBU: Vienmēr izveidojiet atkāpšanās ceļu gadījumam, ja zars krīt operatora virzienā.

⚠ UZMANĪBU: Zāģēšanai nekad neizmantojiet vadotnes galu. Pretējā gadījumā var notikt bīstams atsitiens, un ir iespējami savainojumi.

IEVĒRĪBAI: Darbarīku nekur nesviediet un nemetiet zemē.

IEVĒRĪBAI: Neapsedziet darbarīka atveres.

IEVĒRĪBAI: Nelietojiet darbarīku ar spēku. Pretējā gadījumā iespējami darbarīka bojājumi.

Stāviet uz stabilas pamatnes un turiet darbarīku atstatu no zariem tā, lai darbarīka leņķis nepārsniegtu 60° attiecībā pret horizontālo zemes virsmu.

▶ **Att.31:** 1. Ne vairāk par 60°

Iedarbiniet darbarīku un tad viegli spiediet zāģa ķēdi uz zara.

Zāģējot garus zarus, vispirms sadaliet zarus posmos, lai varētu kontrolēt zaru krišanas pozīciju, un tad zāģējiet zaru, sākot no galotnes. Pievērsiet uzmanību krītošajam zariem, jo tie pēc nokrišanas zemē var atlēkt operatora virzienā.

▶ **Att.32**

Zāģējot resnus zarus, vispirms sekli iezāģējiet to apakšējā daļā un pēc tam nozāģējiet tos no augšpusē.

▶ **Att.33**

Ja mēģināsiet nozāģēt resnu zaru no apakšpusē, tas var iespiest zāģa ķēdi zāģējuma vietā. Ja mēģināsiet nozāģēt resnu zaru no augšpusē, neiezāģējiet apakšpusē, zars var sašķelties.

▶ **Att.34**

Darbarīka pārvietošana

Pirms darbarīka nešanas vienmēr izņemiet no darbarīka akumulatora kasetnes un pievienojiet vadotnes vāku. Arī akumulatora kasetnei uzlieciet akumulatora vāku.

Pārnēsājot darbarīku, nepieskarities slēdža mēlītei.

▶ **Att.35:** 1. Virzošās slīdes vāks 2. Akumulatora vāks

Darbarīka lietošana ar pārnēsājamo barošanas bloku

Papildpiederumi

Ja izmantojat darbarīku kopā ar pārnēsājamo barošanas bloku, izmantojiet piekaramo lenti.

Piekaramās lentes piestiprināšana

1. Piekaramās lentes āķus piestipriniet pie plecu siksnas vai vidukļa siksnas gredzeniem, kā parādīts attēlā. Lentes veidu un piestiprināšanas metodi izvēlieties atbilstoši lietošanas veidam.

▶ **Att.36:** 1. Gredzens 2. Āķis

▶ **Att.37:** 1. Gredzens 2. Āķis

2. Piestipriniet āķi pie darbarīka.

▶ **Att.38:** 1. Āķis

Ierīces atvienošana

Kad novelkat darbarīku, atsprādzējiet piekaramās lentes sprādzi ar vienu roku, turot darbarīku ar otru roku.

▶ **Att.39:** 1. Sprādze

PIEZĪME: Atkarībā no siksnas veida sprādze var nebūt aprīkojumā.

Ja ir nepieciešams atbrīvot darbarīku ātri, veiciet tālāk norādītās darbības.

1. Piespiediet vidukļa siksnas sprādzes sviras, lai atbloķētu sprādzi.

► **Att.40:** 1. Sprādze 2. Svira

2. Noņemiet plecu siksnu, lai atbrīvotu darbarīku un ierīci.

► **Att.41:** 1. Plecu siksnā

APKOPE

⚠ UZMANĪBU: Pirms darbarīka pārbaudes vai apkopes vienmēr pārlicinieties, ka darbarīks ir izslēgts un akumulatora kasetne ir izņemta.

⚠ UZMANĪBU: Veicot pārbaudi vai tehnisko apkopi, vienmēr valkājiet cimdus.

IEVĒRĪBAI: Nekad neizmantojiet gazolinu, benzīnu, atšķaidītāju, spirtu vai līdzīgus šķidrumus. Tas var radīt izbalēšanu, deformāciju vai plaisas.

Lai saglabātu izstrādājuma DROŠU un UZTICAMU darbību, remontdarbus, apkopi un regulēšanu uzticiet veikt tikai Makita pilnvarotam vai rūpnīcas apkopes centram, un vienmēr izmantojiet tikai Makita rezerves daļas.

Zāģa ķēdes asināšana

Zāģa ķēde jāasina, ja:

- zāģējot mitru koku, rodas irdenas zāģskaidas;
- ķēde ar grūtībām zāģē koku, pat ja to piespiež stingri;
- griezējuma ir acīm redzami bojāti;
- zāģis kokā raujas pa kreisi vai pa labi. (Nevienmērīgi uzasinātas zāģa ķēdes dēļ vai bojājums ir tikai vienā pusē.)

Zāģa ķēdi asiniet bieži, taču katru reizi tikai nedaudz. Ikdienas uzasināšanai parasti pietiek ar diviem vai trim vīles pārvilcieniem. Kad zāģa ķēde asināta vairākas reizes, nogādājiet to mūsu pilnvarotajā apkopes centrā, lai to tur uzasinātu.

Asināšanas kritēriji

⚠ BRĪDINĀJUMS: Pārmērīgs attālums starp griezējumu un dziļummēru palielina atsietna iespējamību.

► **Att.42:** 1. Zoba garums 2. Attālums starp griezējumu un dziļummēru 3. Minimālais frēze garums (3 mm)

- Visiem zobiem jābūt vienādā garumā. Atšķirīga zobu garuma dēļ zāģa ķēde nedarbojas vienmērīgi, tādēļ zāģa ķēde var salūzt.
- Ja zobi sasnieguši 3 mm garumu vai ir īsāki, neasiniet ķēdi. Ķēde ir jāmaina.
- Skaidu biežumu nosaka attālums starp dziļummēru (apalgalu) un griezējumu.

- Vislabāk ķēde zāģē tad, ja starp griezējumu un dziļummēru ir tālāk norādītais attālums.

- Ķēdes asmens 80TXL: 0,65 mm

► **Att.43**

- Visiem zobiem jābūt vienādā asināšanas leņķim – 30°. Ja zobu leņķi būs dažādi, ķēde darbosies raujī un nevienmērīgi, pārāk ātri nolietosies un salūzīs.

- Lai pret zobu noturētu pareizu asināšanas leņķi, jāizmanto piemērota apaļā vīle.

- Ķēdes asmens 80TXL: 55°

Vīle un vīles bīdītājs

- Lai uzasinātu zāģa ķēdi, izmantojiet īpašu apaļo vīli (papildpiederums). Parastās apaļās vīles nav piemērotas.

- Diametrs atbilstošajām apaļajām vīlēm ir tālāk norādīts.

- Ķēdes asmens 80TXL: 4,0 mm

- Ķēde ar vīli jāvilē tikai virzienā uz priekšu.

- Atpakaļgājienā vīli no ķēdes noņemiet.

- Īsākos zobus asiniet vispirms. Šo zobu garums nosaka visu pārējo zāģa ķēdes zobu nepieciešamo garumu.

- Vīli virziet tā, kā attēlots zīmējumā.

► **Att.44:** 1. Vīle 2. Zāģa ķēde

- Ja izmanto vīles turētāju (papildaprīkojums), virzīt vīli ir daudz vieglāk. Uz vīles turētāja ir atzīmes pareizam asināšanas leņķim 30° (atzīmes centrējiet paralēli zāģa ķēdei), un tas ierobežo iespējamās dziļumu (līdz 4/5 no vīles diametra).

► **Att.45:** 1. Vīles turētājs

- Pēc ķēdes uzasināšanas pārbaudiet dziļummēra augstumu, izmantojot ķēdes mērinstrumentu (papildaprīkojums).

► **Att.46**

- Ar īpašu plakano vīli (papildaprīkojums) nogludiniet visus nefildzenumus, pat mazus.

- Vēlreiz noapaļojiet dziļummēra priekšējo daļu.

Noīriet virzošo sliedi

Virzošās sliedes rievā uzkrāsies skaidas un putekļi. Tie var aizsprostot sliedes rievu un traucēt eļļas plūsmu. Skaidas un putekļus izīrtiet katru reizi, kad asināt vai nomaināt zāģa ķēdi.

► **Att.47**

Ķēdesrata aizsarga tīrīšana

Skaidas un putekļi uzkrāsies ķēdesrata aizsarga iekšpusē. No darbarīka noņemiet ķēdesrata aizsargu un zāģa ķēdi, tad izīrtiet skaidas un putekļus.

► **Att.48**

Eļļas izvades atveres tīrīšana

Darbības laikā eļļas izvades atverē var uzkrāties putekļi vai mazas daļiņas. Šie putekļi vai daļiņas var samazināt eļļas plūsmu un izraisīt nepietiekamu visas ķēdes eļļošanu. Ja konstatēta vāja eļļas padeve virzošās sliedes galā, iztīriet eļļas izvades atveri.

1. No darbarīka noņemiet ķēdesrata aizsargu un zāģa ķēdi.
2. Aizvāciet sīkus putekļus vai daļiņas, izmantojot plakanā uzgaļa skrūvgriezi vai līdzīgu darbarīku.
▶ **Att.49:** 1. Plakangala skrūvgriezi 2. Eļļas izvades atvere
3. Darbarīkā ielieciet akumulatora kasetni. Paveiciet slēdža mēlīti, lai no eļļas izvades atveres izvadītu uzkrājušos putekļus vai daļiņas, iztecinot ķēdes eļļu.
4. No darbarīka izņemiet akumulatora kasetni. Darbarīkam uzlieciet ķēdesrata aizsargu un zāģa ķēdi.

Ķēdesrata nomaīņa

⚠UZMANĪBU: Nodilis ķēdesrats sabojās jaunu zāģa ķēdi. Šajā gadījumā nomainiet ķēdesratu.

Pirms jaunas zāģa ķēdes uzlikšanas pārbaudiet ķēdesrata stāvokli. Ja ķēdesrats ir nodilis vai bojāts, nomainiet to Makita pilnvarotā apkopes centrā.

▶ **Att.50:** 1. Ķēdesrats 2. Izdiluma zonas

Darbarīka glabāšana

1. Pirms darbarīka novietošanas glabāšanai iztīriet to. Pēc ķēdesrata aizsarga noņemšanas no darbarīka iztīriet skaidas un putekļus.
2. Pēc darbarīka iztīrīšanas darbiniet to bez noslodzes, lai ieeļļotu zāģa ķēdi un virzošo sliedi.
3. Virzošajai slidei uzlieciet virzošās sliedes vāku.
4. Iztukšojiet eļļas tvertni.

Norādījumi par regulāru tehnisko apkopi

Lai nodrošinātu ilgu darbarīka kalpošanas laiku, nepieļautu bojājumus un garantētu drošības aprīkojuma pilnīgu funkcionēšanu, regulāri jāveic tālāk norādītie tehniskās apkopes darbi. Garantijas remonta pieprasījumu pieņem tikai tad, ja šos darbus veic regulāri un pareizi. Ja regulāri neveic norādīto tehnisko apkopi, ir iespējami negadījumi! Darbarīka lietotājs nedrīkst veikt tādas tehniskās apkopes darbus, kas nav aprakstīti šajā lietošanas rokasgrāmatā. Visi šāda veida darbi jāveic mūsu pilnvarotā apkopes centrā.

Pārbaudāmais viensoms/veikšanas laiks		Pirms izmantošanas	Katru dienu	Reizi nedēļā	Reizi 3 mēnešos	Reizi gadā	Pirms glabāšanas
Viss darbarīks	Apskate.	✓	-	-	-	-	-
	Tīrīšana.	-	✓	-	-	-	-
	Pārbaude pilnvarotā apkopes centrā.	-	-	-	-	✓	✓
Zāģa ķēde	Apskate.	✓	-	-	-	-	-
	Asināšana, ja vajag.	-	-	-	-	-	✓
Virzošā sliede	Apskate.	✓	✓	-	-	-	-
	Noņemiet no darbarīka.	-	-	-	-	-	✓
Ķēdes eļļošana	Pārbaudīt eļļas padeves ātrumu.	✓	-	-	-	-	-
Slēdža mēlīte	Apskate.	✓	-	-	-	-	-
Atbloķēšanas poga	Apskate.	✓	-	-	-	-	-
Eļļas tvertnes vāciņš	Pārbaudīt ciešumu.	✓	-	-	-	-	-
Skrūves un uzgriežņi	Apskate.	-	-	✓	-	-	-

PROBLĒMU NOVĒRŠANA

Pirms nodošanas remontā vispirms veiciet pārbaudi pats. Ja konstatējat kļūmi, kas nav aprakstīta rokasgrāmatā, nemēģiniet darbarīku izjaukt. Dodieties uz Makita pilnvarotu apkopes centru un remontam vienmēr izmantojiet tikai Makita rezerves daļas.

Nefunkcionēšanas stāvoklis	Iemesls	Rīcība
Darbarīks nesāk darboties.	Nav ievietota akumulatora kasetne.	Ievietojiet uzlādēta akumulatora kasetni.
	Akumulatora problēma (niecīga jauda).	Uzlādējiet akumulatoru kasetnes. Ja uzlāde neizdodas, nomainiet akumulatora kasetni.
Pēc īsa darbošanās brīža dzinējs noslāpst.	Akumulatora uzlādes līmenis ir par zemu.	Uzlādējiet akumulatoru kasetnes. Ja uzlāde neizdodas, nomainiet akumulatora kasetni.
Uz ķēdes nav eļļas.	Eļļas tvertne ir tukša.	Uzpildiet eļļas tvertni.
	Eļļas sliedes rievā ir netīra.	Izīrīriet rievu.
Darbarīks nesasniedz maksimālo apgriezīu skaitu minūtē.	Akumulatora kasetne ievietota nepareizi.	Akumulatoru kasetnes uzlieciet tā, kā aprakstīts šajā rokasgrāmatā.
	Samazinās akumulatora jauda.	Uzlādējiet akumulatora kasetni. Ja uzlāde nesniedz vēlamu rezultātu, nomainiet akumulatora kasetni.
	Piedziņas sistēma nedarbojas pareizi.	Lūdziet, lai pilnvarotā apkopes centrā jūsu reģionā to saremontē.
Pārmērīga vibrācija: nekavējoties apturiet darbarīku!	Palaidiet vaļīgāk virzošo sliedi vai zāga ķēdi.	Pieregulējiet virzošās sliedes un zāga ķēdes nospiļojumu.
	Darbarīks nestrādā.	Lūdziet, lai pilnvarotā apkopes centrā jūsu reģionā to saremontē.
Zāga ķēdi nevar uzmontēt.	Zāga ķēde nav saderīga ar ķēdesratu.	Lai uzzinātu, kādas zāga ķēdes un ķēdesrati ir saderīgi, skatiet tehnisko datu sadaļu.

PAPILDU PIEDERUMI

⚠UZMANĪBU: Šādi piederumi un papildierces tiek ieteiktas lietošanai ar šajā rokasgrāmatā aprakstīto Makita darbarīku. Izmantojot citus piederumus vai papildierces, var tikt radīta trauma gūšanas bīstamība. Piederumu vai papildierci izmantojiet tikai paredzētajam mērķim.

Ja jums vajadzīga palīdzība vai precīzāka informācija par šiem piederumiem, vērsieties savā tuvākajā Makita apkopes centrā.

- Zāga ķēde
- Virzošā sliede
- Virzošās sliedes vāks
- Vīle
- Pleca sikсна
- Ķēdes eļļa
- Ķēdesrats
- Makita oriģinālais akumulators un lādētājs

⚠BRĪDINĀJUMS: Ja iegādājaties vadotni, kuras garums atšķiras no standarta vadotnes garuma, kopā ar to iegādājieties arī piemērotu vadotnes vāku. Tam ir jābūt atbilstošam un pilnībā jānosedz vadotne pie darbarīka.

PIEZĪME: Daži sarakstā norādītie izstrādājumi var būt iekļauti instrumenta komplektācijā kā standarta piederumi. Tie dažādās valstīs var būt atšķirīgi.

SPECIFIKACIJOS

Modelis:		DUA200
Bendrasis ilgis (be kreipimo juostos ir priedo)		1620 / 2520 mm
Vardinė įtampa		Nuol. sr. 18 V
Grynasis svoris	*1	3,2 kg
	*2	3,2–3,5 kg
Standartinis kreipimo juostos ilgis		200 mm
Rekomenduojamas kreipimo juostos ilgis	su 80TXL	200 mm
Tinkamas pjūklo grandinės tipas (žr. toliau pateiktą lentelę)		80TXL
Standartinė žvaigždutė	Dantų skaičius	7
	Žingsnis	0,325"
Grandinės greitis		6,7 m/s (402 m/min)
Grandinei skirtos alyvos bakelio tūris		55 cm ³

- Atliekame tęstinius tyrimus ir nuolatos tobuliname savo gaminius, todėl čia pateikiamos specifikacijos gali būti keičiamos be įspėjimo.
- Techninės sąlygos įvairiose šalyse gali skirtis.

*1. Svoris su didžiausia akumuliatoriaus kasete ir tuščiu alyvos baku bei be kreipimo juostos, grandinės, perpetės diržo ir priedo, pagal EN ISO11680-1.

*2: mažiausio ir didžiausio svorių derinys pagal 2014 sausio mėn. EPTA procedūrą. Svoris gali priklausyti nuo priedo (-ų), įskaitant akumuliatoriaus kasetę.

Tinkama akumuliatoriaus kasetė ir (arba) įkroviklis

Akumuliatoriaus kasetė	BL1815N / BL1820B / BL1830B / BL1840B / BL1850B / BL1860B
Įkroviklis	DC18RC / DC18RD / DC18RE / DC18SD / DC18SE / DC18SF / DC18SH / DC18WC

- Atsižvelgiant į gyvenamosios vietos regioną, kai kurios pirmiau nurodytos akumuliatoriaus kasetės ir įkrovikliai gali būti neprieinami.

⚠ SPĖJIMAS: Naudokite tik akumuliatoriaus kasetes ir įkroviklius, kurie nurodyti anksčiau. Naudojant bet kurias kitas akumuliatoriaus kasetes ir įkroviklius, gali kilti sužeidimo ir gaisro pavojus.

Rekomenduojamas laidu prijungiamas maitinimo šaltinis

Nešiojamasis maitinimo šaltinis	PDC01
---------------------------------	-------

- Atsižvelgiant į gyvenamosios vietos regioną, pirmiau nurodytas (-i) laidu prijungiamas (-i) maitinimo šaltinis (-iai) gali būti neprieinamas (-i).
- Prieš naudodami laidu prijungiamą maitinimo šaltinį, perskaitykite instrukciją ir ant jų pateiktus perspėjimus.

Pjūklo grandinės, kreipimo juostos ir žvaigždutės derinys

Pjūklo grandinės tipas		80TXL
Pavaros jungčių skaičius		38
Kreipimo juosta	Kreipimo juostos ilgis	200 mm
	Pjovimo zonos ilgis	185 mm
	Žingsnis	0,325"
	Ribotuvus	1,1 mm
	Tipas	Žvaigždutės antgalio juosta
Žvaigždutė	Dantų skaičius	7
	Žingsnis	0,325"

⚠️ JSPĖJIMAS: Naudokite tinkamą pjovimo juostą ir grandininį pjūklą. Antraip galite susižaloti.

Simboliai

Toliau yra nurodyti simboliai, kurie gali būti naudojami įrangai. Prieš naudodami įsitikinkite, kad suprantate jų reikšmę.



Saugokite nuo drėgmės.



Perskaitykite instrukcijų vadovą.



Naudokite šalmą, apsauginius akinius ir klausos apsaugines priemones.



Užsidėkite apsaugines pirštines.



Avėkite tvirtus batus neslidžiais padais. Rekomenduojama avėti batus su plieno apsaugomis kojų pirštams.



Saugokitės elektros linijų, elektros smūgio pavojus.



Atstumas turi būti bent 15 m.



Didžiausias leistinasis pjovimo ilgis



Grandinės eigos kryptis



Grandininės alyvos bakas



Taikoma tik ES šalims
Kadangi įrangoje yra pavojingų komponentų, panaudota elektrinė ir elektroninė įranga, akumulatoriai ir baterijos gali turėti neigiamo poveikio aplinkai ir žmonių sveikatai.
Nešalinkite elektros ir elektroninių prietaisų ar baterijų kartu su buitinėmis atliekomis! Pagal Europos direktyvą dėl elektros ir elektroninės įrangos atliekų bei akumuliatorių ir baterijų ir panaudotų akumuliatorių ir baterijų bei jos pritaikymą nacionaliniams įstatymams, panaudota elektros ir elektroninė įranga, baterijos ir akumulatoriai turi būti surenkami atskirai ir pristatomi į atskirą buitinių atliekų surinkimo punktą, kuris veikia pagal aplinkos apsaugos taisykles. Tai rodo perbrauktas konteinerio ant ratukų simbolis, pateiktas ant įrangos.



Garantuojamas garso galios lygis pagal ES lauko triukšmo direktyvą.



Garso galios lygis pagal Australijos NSW triukšmo kontrolės reglamentą

Numatytoji naudojimo paskirtis

Įrankis yra skirtas šakoms ir šakelėms genėti.

Triukšmas

Įprastas triukšmo A lygis, nustatytas pagal ISO22868(ISO11680-1):
Garso slėgio lygis (L_{pA}): 79 dB (A)
Garso galios lygis (L_{WA}): 87 dB (A)
Paklaida (K): 3 dB (A)

PASTABA: Paskelbta (-os) triukšmo reikšmė (-ės) nustatyta (-os) pagal standartinį testavimo metodą ir jį galima naudoti vienam įrankiui palyginti su kitu.

PASTABA: Paskelbta (-os) triukšmo reikšmė (-ės) taip pat gali būti naudojama (-os) norint preliminariai įvertinti triukšmo poveikį.

⚠️ JSPĖJIMAS: Dėvėkite ausų apsaugą.

⚠️ JSPĖJIMAS: Faktiškai naudojant elektrinį įrankį, keliamo triukšmo dydis gali skirtis nuo paskelbtos (-ų) reikšmės (-ių), priklausomai nuo būdų, kuriais yra naudojamas šis įrankis, ir ypač nuo to, kokio tipo ruošinys apdirbamas.

⚠️ JSPĖJIMAS: Siekdami apsaugoti operatorių, būtinai įvertinkite saugos priemones, remdamiesi vibracijos poveikio įvertinimu esant faktinėms naudojimo sąlygoms (atsižvelgdami į visas darbo ciklo dalis, pavyzdžiui, ne tik kiek laiko įrankis veikia, bet ir kiek kartų jis yra išjungiamas bei kai jis veikia be apkrovų).

Vibracija

Kairioji rankena (priekinė rankena)		Dešinioji rankena (galinė rankena)		Taikomas standartas
ah (m/s ²)	Paklaida K (m/s ²)	ah (m/s ²)	Paklaida K (m/s ²)	
2,5 arba mažesnė	1,5	2,5 arba mažesnė	1,5	ISO22867(ISO11680-1)

PASTABA: Paskelbta (-os) vibracijos bendroji (-osios) reikšmė (-ės) nustatyta (-os) pagal standartinį testavimo metodą ir jį galima naudoti vienam įrankiui palyginti su kitu.

PASTABA: Paskelbta (-os) vibracijos bendroji (-osios) reikšmė (-ės) taip pat gali būti naudojama (-os) norint preliminariai įvertinti vibracijos poveikį.

⚠️ ĮSPĖJIMAS: Faktiškai naudojant elektrinį įrankį, keliamos vibracijos dydis gali skirtis nuo paskelbtos (-ų) reikšmės (-ių), priklausomai nuo būdų, kuriais yra naudojamas šis įrankis, ir ypač nuo to, kokio tipo ruošinys apdirbamas.

⚠️ ĮSPĖJIMAS: Siekdami apsaugoti operatorių, būtina įvertinkite saugos priemones, remdamiesi vibracijos poveikiu įvertinimu esant faktinėms naudojimo sąlygoms (atsižvelgdami į visas darbo ciklo dalis, pavyzdžiui, ne tik kiek laiko įrankis veikia, bet ir kiek kartų jis yra išjungiamas bei kai jis veikia be apkrovų).

Atitikties deklaracijos

Tik Europos šalis

Atitikties deklaracijos įtrauktos į šios naudojimo instrukcijos A priedą.

SAUGOS ĮSPĖJIMAI

Bendrieji įspėjimai dirbant elektriniais įrankiais

⚠️ ĮSPĖJIMAS Perskaitykite visus saugos įspėjimus, nurodymus, peržiūrėkite paveikslėlius ir technines sąlygas, pateiktas su šiuo elektriniu įrankiu. Nesilaikant toliau pateiktų nurodymų, galima patirti elektros šoką, sunkių sužalojimą ir (arba) sukelti gaisrą.

Išsaugokite visus įspėjimus ir instrukcijas, kad galėtumėte jas peržiūrėti ateityje.

Terminas „elektrinis įrankis“ pateiktuose įspėjimuose reiškia į maitinimo tinklą jungiamą (laidinį) elektrinį įrankį arba akumulatoriaus maitinamą (belaidį) elektrinį įrankį.

Saugos įspėjimai dėl akumulatorinio vamzdinio pjūklo

Bendros atsargumo priemonės

1. Prieš įjungdami įrankį, perskaitykite šią naudojimo instrukciją, kad susipažintumėte su įrankio naudojimu.
2. Neskolinkite įrankio asmeniui, kuris turi nepakankamai įrankio naudojimo patirties ar žinių.
3. Skolindami įrankį, visada pridėkite šią naudojimo instrukciją.
4. Neleiskite įrankio naudoti vaikams ar jaunesniems nei 18 metų asmenims. Jie turi laikytis toliau nuo įrankio.
5. Naudodami įrankį, būkite labai atsargūs ir atidūs.
6. Niekada nenaudokite įrankio, jeigu esate apsvaigę nuo alkoholio ar narkotikų arba jeigu jaučiatės pavargę ar sergate.
7. Jokiū būdu nemėginkite keisti įrankio konstrukcijos.
8. Nenaudokite įrankio esant blogam orui, ypač jei gali žaibuoti. Taip sumažinsite žaibo nutrenkimo pavojų.
9. Šalies teisiniai aktai gali riboti įrankio naudojimą. Laikytis savo šalies teisės aktų dėl įrankio naudojimo.

Asmeninės apsaugos priemonės

1. Užsidėkite saugos šalmą, apsauginius akinius ir apsaugines pirštines, kad apsisaugotumėte nuo skrendančių nuolaužų arba krentančių daiktų.
2. Užsidėkite ausų apsaugas, pvz., ausines, apsaugančias klausą.
3. Dėvėkite tinkamus drabužius ir avėkite saugiam darbui pritaiktą avalynę, pvz., kombinezoną ir tvirtus, neslystančius batus. Nedėvėkite laisvų drabužių arba laisvai kabančių papuošalų. Judančios dalys gali įtraukti laisvus drabužius, papuošalus arba ilgus plaukus.
4. Kai tvarkote pjūklo grandinę arba reguliuojate grandinės įtempimą, mūvėkite apsaugines pirštines. Pjūklo grandinė gali stipriai įpjauti rankas.

Darbo vietos sauga

1. Laikykite įrankį ne mažesniu kaip 15 m atstumu nuo elektros linijų ir ryšio kabelių (įskaitant juos liečiančias šakas). Įrankiu palietus arba priartėjus prie aukštosios įtampos linijų, galima žūti arba sunkiai susižaloti. Prieš pradėdami darbą, patikrinkite, ar darbo plote nėra elektros linijų ir elektrinių tvorų.
2. Naudokite įrankį tik esant geram matomumui ir tik dieną. Nenaudokite įrankio tamsoje arba esant rūkui.
3. Darbo metu niekada nestovėkite ant nestabilaus ar slidaus paviršiaus arba ant stautaus šlaito. Šaltuoju metų laiku saugokitės ledo ir sniego bei visada užtikrinkite saugią kojų atramą.
4. Kai dirbate, pašaliniai asmenys ar gyvūnai turi būti ne mažesniu kaip 15 m atstumu nuo įrankio. Kam nors artėjant išjunkite įrankį.
5. Kai dirbate su dviem ar daugiau žmonių, išlaikykite ne mažesnę kaip 15 m atstumą vienas nuo kito ir turėkite prižiūrėtoją.
6. Prieš dirbdami, apžiūrėkite darbo vietą, ar nėra vielos tvorų, sienų ar kitų kietų daiktų. Jie gali sugadinti pjūklo grandinę.

Pasiruošimas

1. Prieš surinkdami ar reguliuodami įrankį, išjunkite įrankį ir išimkite akumulatoriaus kasetę.
2. Prieš tvarkydami pjūklo grandinę arba reguliuodami grandinės įtempimą, mūvėkite apsaugines pirštines.
3. Prieš įjungdami įrankį, patikrinkite, ar jis nesusigadintas, nėra atsilaisvinsiuų varžtų / veržlių ir ar tinkamai surinktas. Pagalškite atsipusią pjūklo grandinę. Jeigu pjūklo grandinė sulenкта ar pažeista, ją pakeiskite. Patikrinkite, ar tinkamai veikia visos valdymo svirtys ir jungikliai. Nuvalykite ir nusauskite rankenas.

4. Niekada nebandykite jungti įrankio, jeigu jis sugadintas arba ne iki galo surinktas. Antraip galima sunkiai susižeisti.
5. Sureguliuokite perpetinį diržą, kad jis tiktų operatoriui.
6. Tinkamai sureguliuokite grandinės įtempimą. Jeigu reikia, papildykite grandininės alyvos.
12. Pailsėkite, kad dėl nuovargio neprarastumėte gebėjimo valdyti įrankio. Rekomenduojame kas valandą daryti 10–20 minučių pertrauką.
13. Kai paliecate įrankį, netgi trumpam laikui, visada į išjunkite ir išimkite akumuliatoriaus kasetę. Veikiantį ir neprižiūrimą įrankį gali panaudoti pašalinis asmuo ir sukelti rimtą nelaimingą atsitikimą.

Įrankio įjungimas

1. Prieš įjungdami įrankį, dėvėkite asmens apsaugos priemones.
2. Prieš įjungdami įrankį, įsitinkinkite, kad darbo srityje nebūtų jokių žmonių ar gyvūnų.
3. Kai įdedate akumuliatoriaus kasetę, patikrinkite, ar pjūklų grandinė ir kreipimo juosta neliečia jūsų kūno ir kito daikto, įskaitant žemę. Įjungus pjūklų grandinę gali judėti ir sunkiai sužaloti arba ji gali būti sugadinta ir (arba) padaryta žala turtui.
4. Padėkite įrankį ant tvirtos žemės. Išlaikykite pusiausvyrą ir kojas pastatykite ant tvirto pagrindo.
14. Kai dirbate su įrankiu, nekelkite dešinės rankos aukščiau savo peties.
15. Dirbdami niekada nelieskite pjūklų grandinė kietų daiktų, pavyzdžiui, akmenų ir vinių. Būkite ypač atsargūs, kai pjaunate šakas greta sienų, vielos tvorų arba panašių daiktų.
16. Jeigu šakos įstringa įrankyje, visada išjunkite įrankį ir išimkite akumuliatoriaus kasetę. Kitaip netyčia įjungus įrankį galima sunkiai susižaloti.
17. Jeigu pjūklų grandinė užsikemša, visada išjunkite įrankį ir išimkite akumuliatoriaus kasetę prieš valydami.
18. Kai pjaunate šakas, išlaikykite pasitraukimo sritį saugią nuo krantinčių šakų. Pirmiausia išvalykite šakas iš darbinės srities. Patraukite visus įrankius ir daiktus iš pasitraukimo srities į kitą saugią vietą.

Naudojimas

1. Esant avarinei situacijai nedelsdami išjunkite įrankį.
2. Jeigu dirbdami pastebėsite neįprastą veikimą (pvz., triukšmą, vibraciją), išjunkite įrankį. Nenaudokite įrankio, kol nenustatysite priežasties ir jos nepašalinsite.
3. Išjungus įrankį, pjūklų grandinė dar trumpai judės. Neskubėkite liesti pjūklų grandinės.
4. Dirbdami naudokite perpetinį diržą. Tvirtai laikykite įrankį dešinėje pusėje.
5. Kairiąja ranka suimkite priekinę rankeną, o dešiniąja – galinę rankeną, nesvarbu, ar esate dešiniarankis ar kairiarankis. Rankenas suimkite smiliais ir nykščiais.
6. Laikykite įrankį tik už izoliuotų rankenos paviršių, nes pjūklų grandinė gali paliesti paslėptus laidus. Pjūklų grandinei palietus laidą su įtampa, genėjimo įrankio atviromis metalinėmis dalimis gali pradėti tekėti srovė ir operatorius gali patirti elektros smūgį.
7. Niekada nebandykite valdyti įrankio viena ranka. Jo nesuvaldžius galima sunkiai ar mirtinai susižaloti. Norėdami sumažinti sužalojimo riziką, laikykite savo rankas ir kojas toliau nuo pjūklų grandinės.
8. Nepersisverkite. Visuomet tvirtai stovėkite ant žemės, išlaikykite pusiausvyrą. Stebėkite, ar nėra paslėptų kliūčių, pvz., kelmų, šaknų ir griovių, kad nesukluptumėte. Patraukite nukritusias šakas ir kitus daiktus toliau.
9. Niekada nedirbkite stovėdami ant kopėčių arba medyje, kad neprarastumėte kontrolės.
10. Jei įrankis patiria stiprų smūgį arba nukrenta, prieš dirbdami toliau, patikrinkite jo būklę. Jeigu yra sugadinimas arba kyla dvejonių, paprašykite įrankį patikrinti ir pataisyti „Makita“ įgaliotojo techninės priežiūros centro.
11. Nelieskite įrankio galvutės. Dirbant įrankio galvutė įkaista.
19. Prieš pjaudami šakas, patikrinkite jų kritimo kryptį, atsižvelgdami į jų būklę, gretimus medžius, vėjo kryptį ir pan. Atkreipkite dėmesį į kritimo kryptį ir šakos atšokimą nuo žemės.
20. Niekada nelaikykite įrankio didesniu kaip 60° kampu. Kitaip krinantys daiktai gali pataikyti į operatorių ir sukelti sunkų sužalojimą. Niekada nestovėkite po pjaunama šaka.
21. Atkreipkite dėmesį į nulūžusias ar nulinkusias šakas. Jos gali atšokti pjaunant ir sukelti netikėtą sužalojimą.
22. Prieš pjaudami norimas nupjauti šakas, pašalinkite aplink jas šakeles ir lapus. Kitaip pjūklų grandinė gali juose įstrigti.
23. Norėdami, kad pjūklų grandinė neįstrigtų prapjovoje, neatleiskite svirtelės prieš traukdami pjūklų grandinę iš prapjovos.
24. Jeigu pjūklų grandinė įstringa prapjovoje, nedelsdami išjunkite įrankį, atsargiai pajudinkite šaką, kad atvertumėte prapjovą ir atlaisvintumėte pjūklų grandinę.
25. Venkite atatrakos (sukamosios reaktyvios jėgos operatoriumi). Norėdami išvengti atatrakos, niekada nenaudokite kreipimo juostos priekio arba nedarykite įsiskverbimo pjovimo. Visada stebėkite kreipimo juostos priekio padėtį.
26. Dažnai tikrinkite grandinės įtempimą. Kai tikrinatė ar reguliuojate grandinės įtempimą, išjunkite įrankį ir išimkite akumuliatoriaus kasetę. Jeigu grandinė atsilaisvinusi, priveržkite ją.

Vibracija

1. Per didelė vibracija pažeidžia operatoriaus kraujagysles arba nervų sistemą. Dėl vibracijos pirštuose, rankose ar riešuose atsiranda tokių simptomų: „nejautumas“ (nutirpimas), dilgčiojimas, skausmas, dūrimo pojūtis, odos spalvos ar odos pasikeitimas. Pajutę bet kurį iš šių simptomų, kreipkitės į gydytoją.

Siekdami sumažinti pavojų susirgti „pirštų balimo liga“, dirbdami rankas laikykite šiltai ir tinkamai techniškai prižiūrėkite įrankį bei priedus.
Dėl darbo laiko vadovaukitės vietos reglamentais arba gydytojo patarimais.

Gabenimas

1. Prieš gabendami įrankį, išjunkite įrankį ir išimkite akumulatoriaus kasetę. Perveždami visada uždėkite kreipimo juostos gaubtą.
2. Kai gabenate įrankį, neškite jį horizontalioje padėtyje, laikydami už rankenos.

Priežiūra

1. Tegul įrangos priežiūros darbus atlieka mūsų įgaliotasis techninės priežiūros centras, visada naudokite tik originalias pakeičiamąsias dalis. Netinkamas remontas ir prasta techninė priežiūra gali sutrumpinti įrankio naudojimo laiką ir padidinti nelaimingų atsitikimų pavojų.
2. Prieš atlikdami techninės priežiūros, remontą ar įrankio valymo darbus, visada išjunkite įrankį ir išimkite akumulatoriaus kasetę. Palaukite, kol įrankis atvės.
3. Dirbdami su pjūklo grandine, visada mūvėkite apsaugines pirštines.
4. Po kiekvieno naudojimo priveržkite visus varžtus ir poveržles, išskyrus reguliavimo varžtus.
5. Išlaikykite pjūklo grandinę aštrią. Jeigu pjūklo grandinė atbunka ir blogai pjauna, paprašykite „Makita“ įgaliotojo techninės priežiūros centro ją pagalašti arba pakeisti nauja.
6. Nebandykite atlikti jokių techninės priežiūros ar remonto darbų, kurie neaprašyti šiame instrukcijoje vadove. Paprašykite šiuos darbus atlikti „Makita“ įgaliotojo techninės priežiūros centro.
7. Visada naudokite tik originalias „Makita“ atsargines dalis ir priedus. Naudojant trečiosios šalies tiekiamas dalis arba priedus įrankis gali sugesti, gali būti sugadintas turtas ir (arba) galima patirti sunkų sužalojimą.

Sandėliavimas

1. Prieš sandėliuodami įrankį, atlikite visus jo valymo ir techninės priežiūros darbus. Uždėkite kreipimo juostos gaubtą. Ištraukite akumulatoriaus kasetę. Kai įrankis atvėsta, išleiskite grandininę alyvą.
2. Laikykite įrankį sausoje ir aukštoje arba rakinamoje, vaikams neprieinamoje vietoje.
3. Neatremkite įrankio į ką nors, pvz., į sieną. Priešingu atveju jis gali staiga nukristi ir sužaloti.

Elektros ir akumulatoriaus sauga

1. Nemeskite akumulatoriaus (-ių) į ugnį. Akumulatoriaus elementas gali sprogti. Pasitikrinkite, ar vietiniai įstatymai nenurodo specialaus išmetimo būdo.
2. Neatidarykite ir neardykite akumulatoriaus (-ių). Ištekėjęs elektrolitas yra šnadinančioji medžiaga, kuri gali pažeisti akis ar odą. Nurytas jis gali apnuodyti.
3. Nenaudokite akumulatoriaus lyjant arba drėgnose vietose.
4. Nekraukite akumulatoriaus lauke.

5. Neimkite įkroviklio, įskaitant įkroviklio kištuką ir gnybtus, drėgnomis rankomis.
6. Venkite pavojingos aplinkos. Nenaudokite šio įrankio drėgnoje arba šlapioje vietoje; saugokite jį nuo lietaus. Į šį įrankį patekęs vanduo padidina elektros smūgio pavojų.

SAUGOKITE ŠIAS INSTRUKCIJAS.

ĮSPĖJIMAS: NELEISKITE, kad patogumas ir gaminio pažinimas (įgyjamas pakartotinai naudojant) susilpnintų griežtą saugos taisyklių, taikytinų šiam gaminiui, laikymąsi. Dėl NETINKAMO NAUDOJIMO arba saugos taisyklių, kurios pateiktos šioje instrukcijoje, nesilaikymo galima rimtai susižeisti.

Svarbios saugos instrukcijos, taikomos akumulatoriaus kasetei

1. Prieš naudodami akumulatoriaus kasetę, perskaitykite visas instrukcijas ir perspėjimus ant (1) akumuliatorių įkroviklio, (2) akumuliatorių ir (3) akumuliatorių naudojančio gaminio.
2. Neardykite ir negadinkite akumulatoriaus kasetės. Dėl to ji gali užsidegti, per daug įkaisti arba sprogti.
3. Jei įrankio darbo laikas žymiai sutrumpėjo, nedelsdami nutraukite darbą su įrankiu. Tai gali kelti perkaitimo, nudegimų ar net sprogdimo pavojų.
4. Jei elektrolitas pateko į akis, plaukite jas tyru vandeniu ir nedelsdami kreipkitės į gydytoją. Gali kilti regėjimo praradimo pavojus.
5. Neužtrumpinkite akumulatoriaus kasetės:
 - (1) Nelieskite kontaktų degiomis medžiagomis.
 - (2) Venkite laikyti akumulatoriaus kasetę kartu su kitais metaliniais daiktais, pavyzdžiui, vinimis, monetomis ir pan.
 - (3) Saugokite akumulatoriaus kasetę nuo vandens ir lietaus.Trumpasis jungimas akumulatoriuje gali sukelti stiprią srovę, perkaitimą, galimus nudegimus ar net akumulatoriaus gedimą.
6. Nelaikykite ir nenaudokite įrankio ir akumulatoriaus kasetės vietoje, kur temperatūra gali pasiekti ar viršyti 50 °C (122 °F).
7. Nedeginkite akumulatoriaus kasetės, net jei yra stipriai pažeista ar visiškai susidėvėjusi. Ugnyje akumulatoriaus kasetė gali sprogti.
8. Akumulatoriaus kasetės nekalkite, nepjaustykite ir nemėtykite ir taip pat į ją netrankykite kietu daiktu. Taip elgiantis, ji gali užsidegti, per daug įkaisti arba sprogti.
9. Nenaudokite pažeisto akumulatoriaus.
10. Įdėtomis ličio jonų akumulatoriams taikomi Pavojingų prekių teisės akto reikalavimai. Komercinis transportas, pvz., trečiųjų šalių, prekių vežimo atstovų, turi laikytis specialaus reikalavimo ant pakuočių ir ženklavimo. Norėdami paruošti siųstiną prekę, pasitarkite su pavojingų medžiagų specialistu. Be to, laikykitės

galimai išsamesnių nacionalinių reglamentų. Užklijuokite juosta arba padenkite atvirus kontaktus ir supakuokite akumuliatorių taip, kad ji pakuo- tėje nejudėtų.

11. **Kai išmetate akumulatoriaus kasetę, išimkite ją iš įrankio ir išmeskite saugioje vietoje. Vadovaukitės vietos reglamentais dėl akumu- liatorių išmetimo.**
12. **Baterijas naudokite tik su „Makita“ nurodytais gaminiais.** Baterijas įdėjus į netinkamus gaminius gali kilti gaisras, gaminys pernelyg kaisti, kilti sprogimas arba pratekėti elektrolitas.
13. **Jei įrankis bus ilgą laiką nenaudojamas, aku- muliatorių būtina išimti iš įrankio.**
14. **Darbo metu ir po akumulatoriaus kasetę gali būti įkaitusi ir dėl to nudeginti.** Imdami akumu- liatoriaus kasetes, būkite atsargūs.
15. **Tuoju pat po naudojimo nelieskite įran- kio gnybtų, nes jie gali būti įkaitę tiek, kad nudegins.**
16. **Neleiskite, kad į akumulatoriaus kasetės gnybtus, angas ir griovelius patektų drožlių, dulkių ar žemių.** Jos gali sukelti kaitimą, užsi- degti, sprogti ir sukelti įrankio ar akumulatoriaus kasetės gedimą, dėl ko galima nusideginti ar susižaloti.
17. **Jeigu įrankis nėra pritaikytas naudoti šalia aukštos įtampos elektros linijų, akumulia- toriaus kasetės nenaudokite šalia aukštos įtampos elektros linijų.** Dėl to gali sutrikti įrankio ar akumulatoriaus kasetės veikimas arba jie gali sugesti.

18. **Laikykite akumuliatorių vaikams nepasiekia- moje vietoje.**

SAUGOKITE ŠIAS INSTRUKCIJAS.

▲ PERSPĖJIMAS: Naudokite tik originalų „Makita“ akumuliatorių. Neoriginalaus „Makita“ arba pakeisto akumulatoriaus naudojimas gali nulemti gaisrą, asmens sužalojimą ir pažeidimą. Tai taip pat panaikina „Makita“ suteikiamą „Makita“ įrankio ir įkroviklio garantiją.

Patarimai, ką daryti, kad akumu- liatorius veiktų kuo ilgiau

1. **Pakraukite akumulatoriaus kasetę prieš jai visiškai išsikraunant.** Visuomet nustokite naudoti įrankį ir pakraukite akumuliato- riaus kasetę, kai pastebite, kad įrankio galia sumažėjo.
2. **Niekada nekraukite iki galo įkrautus akumulia- toriaus kasetės.** Perkraunant trumpėja akumu- liatoriaus eksploatacijos laikas.
3. **Akumulatoriaus kasetę kraukite esant kam- bario temperatūrai 10 - 40 °C.** Prieš pradėdami krauti, leiskite įkaitusiai akumulatoriaus kase- tei atvėsti.
4. **Kai akumulatoriaus kasetės nenaudojate, ją išimkite iš įrankio ar įkroviklio.**
5. **Įkraukite akumulatoriaus kasetę, jei jos nenau- dojate ilgą laiką (ilgiau nei šešis mėnesius).**

DALIŲ APRAŠYMAS

► Pav.1

1	Rankenos modulis	2	Centrinis ilginamasis strypas	3	Pjovimo galvutės modulis
4	Pakaba	5	Atlaisvinimo mygtukas	6	Akumulatoriaus kasetė
7	Gaidukas	8	Galinė rankena	9	Pjūklo grandinė
10	Pjovimo juosta	11	Alyvos bakelio dangtelis	12	Svirts
13	Galvutės kampo reguliavimo mygtukas	14	Kreipimo juostos gaubtas	15	Priekinė rankena

VEIKIMO APRAŠYMAS

▲ PERSPĖJIMAS: Prieš pradėdami reguliuoti arba tikrinti įrankio veikimą, visuomet būtinai išjunkite įrankį ir išimkite akumuliatoriaus kasetę.

Akumuliatoriaus kasetės uždėjimas ir nuėmimas

▲ PERSPĖJIMAS: Prieš įdėdami arba išimdami akumuliatoriaus kasetę, visada išjunkite įrankį.

▲ PERSPĖJIMAS: Įdėdami arba išimdami akumuliatoriaus kasetę, tvirtai laikykite įrankį ir akumuliatoriaus kasetę. Jeigu įrankį ir akumuliatoriaus kasetę laikysite netvirtai, jie gali išslysti iš jūsų rankų, todėl įrankis ir akumuliatoriaus kasetė gali būti sugadinti, o naudotojas sužalotas.

Jei norite įdėti akumuliatoriaus kasetę, ant akumuliatoriaus kasetės esantį liežuvėlį sutapdinkite su korpuse esančiu grioveliu ir įstumkite į jai skirtą vietą. Įstatykite iki pat galo, kad spragtelėdama užsifiksuotų. Jeigu matote raudoną sandariklį (indikatorių), kaip parodyta paveikslėlyje, ji nėra visiškai užfiksuota.

Jei norite išimti akumuliatoriaus kasetę, ištraukite ją iš įrankio, stumdami mygtuką, esantį kasetės priekyje.

- **Pav.2:** 1. Raudonas sandariklis (indikatorius)
2. Mygtukas 3. Akumuliatoriaus kasetė

▲ PERSPĖJIMAS: Akumuliatoriaus kasetę visada įkiškite iki galo, kol nebematysite raudono sandariklio (indikatoriaus) Priešingu atveju ji gali atsitiktinai iškristi iš įrankio ir sužeisti jus arba aplinkinius.

▲ PERSPĖJIMAS: Nekiškite akumuliatoriaus kasetės jėga. Jeigu kasetė sunkiai lenda, ją kiškite netinkamai.

Likusios akumuliatoriaus galios rodymas

Tik akumuliatoriaus kasetėms su indikatoriumi

Paspauskite akumuliatoriaus kasetės tikrinimo mygtuką, kad būtų rodoma likusi akumuliatoriaus energija. Maždaug trims sekundėms užsidegs indikatorių lemputės.

- **Pav.3:** 1. Indikatorių lemputės 2. Tikrinimo mygtukas

Indikatorių lemputės			Likusi galia
Šviečia	Nešviečia	Blyksi	
■	□	◐	75 - 100 %
■ ■ ■ ■	□ □ □ □		
■ ■ ■ ■	□ □ □ □		50 - 75 %
■ ■ ■ ■	□ □ □ □		25 - 50 %
■ ■ ■ ■	□ □ □ □		0 - 25 %

Indikatorių lemputės			Likusi galia
Šviečia	Nešviečia	Blyksi	
■	□ □ □ □	◐	Įkraukite akumuliatorių.
■ ■ ■ ■	□ □ □ □		
■ ■ ■ ■	□ □ □ □		Galimai įvyko akumuliatoriaus veikimo triktis.
■ ■ ■ ■	□ □ □ □		

PASTABA: Rodmuo gali šiek tiek skirtis nuo faktinės energijos lygio – tai priklauso nuo naudojimo sąlygų ir aplinkos temperatūros.

PASTABA: Veikiant akumuliatoriaus apsaugos sistemai ims mirksėti pirmoji (toliausiai kairėje) indikatoriaus lemputė.

Įrankio / akumuliatoriaus apsaugos sistema

Įrankyje įrengta įrankio / akumuliatoriaus apsaugos sistema. Ši sistema automatiškai atjungia variklio maitinimą, kad įrankis ir akumuliatorius ilgiau veiktų. Įrankis automatiškai išsijungs darbo metu esant vienai iš toliau nurodytų įrankio arba akumuliatoriaus darbo sąlygų:

Apsauga nuo perkrovos

Kai akumuliatorius naudojamas taip, kad neprastai padidėja elektros srovė, įrankis automatiškai išsijungia. Toku atveju atleiskite gaiduką ir nutraukite darbą, dėl kurio kilo įrankio perkrova. Tada nuspauskite atlaisvinimo mygtuką, o po to ir gaiduką, kad paleistumėte iš naujo.

Apsauga nuo perkaitimo

Kai įrankis arba akumuliatorius perkaista, įrankis automatiškai sustoja. Toku atveju, prieš vėl paleisdami įrankį, leiskite įrankiui ir akumuliatoriui atvėsti.

PASTABA: Tikėtina, kad aplinkoje, kurioje labai šilta, suveiks apsauga nuo perkaitimo, todėl įrankis bus išjungtas automatiškai.

Apsauga nuo visiško išsekimo

Kai akumuliatoriaus energijos likučio nebepakanka, įrankis automatiškai sustoja. Toku atveju ištraukite akumuliatorių iš įrankio ir jį įkraukite.

Jungiklio veikimas

▲ ĮSPĖJIMAS: Saugos sumetimais šiam įrankyje įrengtas atlaisvinimo mygtukas, kuris neleidžia neičia įjungti įrankio. NIEKADA nenaudokite įrankio, jei jis išsijungia nuspaudus vien tik gaiduką, tačiau nenuspaudus atlaisvinimo mygtuko. PRIEŠ pradėdami vėl naudoti įrankį, atiduokite jį suremontuoti į mūsų įgaliotąjį priežiūros centrą.

▲ ĮSPĖJIMAS: NIEKADA neužklijuokite lipnia juostele ir nepanaikinkite atlaisvinimo mygtuko paskirties bei funkcijos.

⚠ PERSPĖJIMAS: Prieš montuodami akumuliatoriaus kasetę įrankyje, visuomet patikrinkite, ar gaidukas tinkamai veikia ir atleistas grįžta į išjungimo padėtį „OFF“.

PASTABA: Negalima stipriai spausti gaiduko, nenuspaudus atlaisvinimo mygtuko. Galite sugadinti jungiklį.

Atlaisvinimo mygtukas yra skirtas gaidukui nuo atsitiktinio įjungimo apsaugoti. Jei norite paleisti įrankį, paspauskite atlaisvinimo mygtuką ir gaiduką. Norėdami sustabdyti, gaiduką atleiskite.

► **Pav.4:** 1. Gaidukas 2. Atlaisvinimo mygtukas

Elektroninė funkcija

Prietaise yra elektroninė funkcija paprastam naudojimui.

- Elektrinis stabdys
Šiame įrankyje įrengtas elektrinis stabdys. Jei, atleidus gaiduką, įrankis nuolat greitai nesustoja, pristatykite jį į „Makita“ priežiūros centrą, kad būtų atlikti jo priežiūros darbai.

SURINKIMAS

⚠ JSPĖJIMAS: Niekada nejunkite dviejų arba daugiau veleno ilginimo priedų. Priešingu atveju galite prarasti kontrolę ir patirti sunkių sužalojimų.

⚠ PERSPĖJIMAS: Prieš pradėdami bet kokius įrankio priežiūros darbus, būtinai išimkite akumuliatoriaus kasetę.

⚠ PERSPĖJIMAS: Nelieskite grandininio pjūklo plikomis rankomis. Imdami grandininį pjūklą, visuomet mūvėkite pirštines.

Modulių surinkimas

⚠ PERSPĖJIMAS: Surinkdami pjovimo galvutės modulį, centrinį ilginamąjį strypą ir rankenos modulį, padėkite modulius ant žemės. Jei modulius bus surenkamas vertikaliaje padėtyje, jis gali nukristi ir atsitrenkti į aplinkinius daiktus arba žmones, sukeldamas nelaimingą atsitikimą arba sužalojimą.

⚠ PERSPĖJIMAS: Visada užtikrinkite, kad mova būtų visiškai įsukta. Iki galo neįsukus movos, mazgai gali atsijungti ir ką nors sužaloti.

► **Pav.5:** 1. Pjovimo galvutės modulius 2. Centrinis ilginamasis strypas 3. Rankenos modulius

1. Sulygiuokite ant modulių esančius trikampus ženklus ir įstatykite modulius vieną į kitą.

Liežuvėlis tilps į griovelį.

► **Pav.6:** 1. Trikampio ženklas 2. Liežuvėlis 3. Griovelis

2. Nuslinkite movą prie sriegio ir pasukite movą pagal laikrodžio rodyklę, kol ji sustos.

Sriegio galas turi būti visiškai uždengtas mova, kaip parodyta paveikslėlyje.

► **Pav.7:** 1. Mova

Įrankio trumpinimas

Norėdami sutrumpinti įrankį, sujunkite pjovimo galvutės modulį ir rankenos modulį tiesiogiai be centrinio ilginamojo strypo, kaip parodyta paveikslėlyje.

► **Pav.8:** 1. Pjovimo galvutės modulius 2. Rankenos modulius

Pjūklo grandinės nuėmimas arba įrengimas

⚠ PERSPĖJIMAS: Po naudojimo pjūklo grandinė ir pjovimo juosta vis dar būna įkaitusios. Prieš atlikdami bet kokius įrankio remonto ar tikrinimo darbus, palaukite, kol jie atvės.

⚠ PERSPĖJIMAS: Pjūklo grandinės montavimo arba nuėmimo procedūrai reikia atlikti švarioje vietoje, kur nėra pjuvenų ir panašiai.

Pjūklo grandinės nuėmimas

Norėdami nuimti pjūklo grandinę, atlikite šiuos veiksmus:

1. Patraukite svirtį aukštyn.

► **Pav.9:** 1. Svirtelė

2. Sukite svirtelę prieš laikrodžio rodyklę, kol nusiims žvaigždutės gaubtas.

► **Pav.10:** 1. Svirtis 2. Žvaigždutės gaubtas

3. Nuimkite žvaigždutės gaubtą, tada nuimkite pjūklo grandinę ir kreipimo juostą nuo įrankio korpuso.

Pjūklo grandinės montavimas

Norėdami sumontuoti pjūklo grandinę, atlikite šiuos veiksmus:

1. Patraukite svirtį aukštyn.

► **Pav.11:** 1. Svirtelė

2. Sukite svirtelę prieš laikrodžio rodyklę, kol nusiims žvaigždutės gaubtas.

► **Pav.12:** 1. Svirtelė 2. Žvaigždutės gaubtas

3. Nuimkite žvaigždutės gaubtą.

4. Sulygiuokite kreipimo juostos kiaurymę su kaiščiu ant įrankio korpuso, tada sumontuokite kreipimo juostą, kaip parodyta paveikslėlyje.

► **Pav.13:** 1. Kreipimo juosta 2. Kiaurymė 3. Kaištis

5. Nuslinkite kreipimo juostą link žvaigždutės, kad užrakintumėte kaištį.

► **Pav.14:** 1. Kreipimo juosta 2. Kaištis

6. Nuimkite kreipimo juostą nuo įrankio korpuso.

7. Patikrinkite pjūklo grandinės judėjimo kryptį. Sutapdinkite pjūklo grandinės judėjimo kryptį su ant įrankio korpuso esančia žyma.

► **Pav.15:** 1. Žyma ant įrankio korpuso

8. Įtaisykite vieną pjūklo grandinės galą ant kreipimo juostos viršaus.

9. Kitą pjūklo grandinės galą įtaisykite aplink žvaigždutę, tada prie įrankio korpuso pritvirtinkite kreipimo juostą, sulygiuodami ant kreipimo juostos esančią kiaurymę su korpuso kaiščiu.

► **Pav.16:** 1. Žvaigždutė

Prispauskite kreipimo juostą prie įrankio korpuso, kad atleisumėtė kaištį. Pjūklo grandinės įtempis nustatomas automatiškai.

► **Pav.17:** 1. Pjūklo grandinė 2. Kaištis 3. Žvaigždutė

10. Nustatykite žvaigždutės gaubtą, kad įrankio korpuso varžtas ir kaištis atitiktų jų porinius elementus ant žvaigždutės gaubto.

► **Pav.18:** 1. Žvaigždutės gaubtas 2. Varžtas 3. Kaištis

11. Pasukite svirtį pagal laikrodžio rodyklę ir tvirtai priveržkite, kad užfiksuotumėtė žvaigždutės gaubtą, tada gražinkite ją į pradinę padėtį.

► **Pav.19:** 1. Svirtis 2. Žvaigždutės gaubtas

Užtikrinkite, kad pjūklo grandinės varančioji grandis būtų patikimai uždėta ant žvaigždutės ir kad pjūklo grandinė būtų tinkamai įkišta į kreipimo juostos bėgelo griovelį.

Užtikrinkite, kad pjūklo grandinė nebūtų laisva ir galėtų sklandžiai judėti pirmyn ir atgal. Prireikus sureguliuokite pjūklo grandinės įtempį, vadovaudamiesi pjūklo grandinės įtempio reguliavimo skirsniu.

Pjūklo grandinės įtempimo reguliavimas

⚠ PERSPĖJIMAS: Per daug atlaisvinta grandinė gali nukristi nuo pjovimo juostos ir todėl kelia pavojų susižaloti arba sukelti nelaimingą atsitikimą.

Pjūklo grandinė atsilaisvina tik po daugelio darbo valandų. Prieš naudojimą retkarčiais patikrinkite pjūklo grandinės įtempimą.

Jei pjūklo grandinė laisva, sureguliuokite jos įtempį.

1. Patraukite svirtį aukštyn.

► **Pav.20:** 1. Svirtelė

2. Šiek tiek pasukite svirtį prieš laikrodžio rodyklę, kad atlaisvintumėtė žvaigždutės gaubtą. Grandinės įtempis nustatomas automatiškai.

► **Pav.21:** 1. Svirtis 2. Žvaigždutės gaubtas

3. Pasukite svirtį pagal laikrodžio rodyklę ir tvirtai priveržkite, kad užfiksuotumėtė žvaigždutės gaubtą, tada gražinkite ją į pradinę padėtį.

► **Pav.22:** 1. Svirtis 2. Žvaigždutės gaubtas

Galvutės kampo reguliavimas

⚠ PERSPĖJIMAS: Prieš reguliuodami galvutės kampą, pritvirtinkite kreipimo juostos gaubtą, kad išvengtumėtė sužeidimų.

⚠ PERSPĖJIMAS: Būkite atsargūs, kad pirštai nepatektų tarp galvutės ir strypo.

Galvutę galima nustatyti vienu iš 9 kampų. Atlikite toliau nurodytus žingsnius.

1. Laikykite įrankį taip, kaip parodyta paveikslėlyje, ir spausdami galvutės kampo reguliavimo mygtuką nustatykite galvutę norimu kampu.

► **Pav.23:** 1. Galvutės kampo reguliavimo mygtukas
2. Galvutė

2. Atleiskite galvutės kampo reguliavimo mygtuką ir įsitinkinkite, kad jis grįžo į pradinę padėtį.

PASTABA: Jei galvutės kampo reguliavimo mygtukas negrįžta į pradinę padėtį, šiek tiek pajudinkite galvutę, kol ji užsifiksuos savo vietoje spragtelėdama.

PASTABA: Prieš naudodami įsitinkinkite, kad galvutė yra patikimai užfiksuota.

NAUDOJIMAS

Tepimas

PASTABA: Pirmą kartą pripylus grandinės alyvos arba pakartotinai pripildant ištuštintą alyvos bakelį, pripilkite alyvos iki pildymo angos apatinio krašto. Kitaip bus blogiau tiekiamą alyva.

PASTABA: Naudokite tik „Makita“ grandininiam pjūklams skirtą arba tapačią alyvą, kurią galite įsigyti savo šalyje.

PASTABA: Niekada nenaudokite alyvos, kurioje yra dulkių ir dalelių, arba lakios alyvos.

PASTABA: Genėdami medžius, naudokite botaninį aliejų. Mineralinė alyva gali pažeisti medžius.

PASTABA: Prieš išpjaudami, įsitinkinkite, kad alyvos bakelio dangtelis yra prisuktas.

Tuo metu, kai įrankis įjungtas, pjūklo grandinė tepama automatiškai. Reguliariai tikrinkite likusį alyvos kiekį alyvos bakelyje.

► **Pav.24:** 1. Alyvos bakelis

Norėdami pripildyti baką, padėkite įrankį ant lygaus pagrindo, tada nuimkite alyvos bakelio dangtelį jį pasukdami.

Tinkamas alyvos kiekis: 55 cm³. Pripildę bakelį, užtikrinkite, kad alyvos bakelio dangtelis būtų gerai užsuktas.

► **Pav.25:** 1. Alyvos bakelio dangtelis 2. Alyvos bakelis (permatomas)

Papildę laikykite įrankį toliau nuo medžio. Paleiskite jį ir palaukite, kol pjūklo grandinė bus tinkamai sutepta.

► **Pav.26**

Perpetinio diržo tvirtinimas

▲ PERSPĖJIMAS: Kai įrankį naudojate kartu su ant nugaros nešiojamu maitinimo šaltiniu, pavyzdžiui, nešiojamuoju maitinimo šaltiniu, nenaudokite perpetės diržų iš įrankio pakuotės – naudokite „Makita“ rekomenduojamą kabančiąją juostą.

Jeigu tuo pačiu metu užsidėsite perpetės diržus iš įrankio pakuotės ir ant nugaros nešiojamo maitinimo šaltinio perpetės diržus, kritiniu atveju bus sunku nuimti įrankį arba ant nugaros nešiojamą maitinimo šaltinį ir gali įvykti nelaimingas atsitikimas arba galima susižaloti. Dėl rekomenduojamos kabančiosios juostos teiraukitės „Makita“ įgaliotųjų techninės priežiūros centrų.

▲ PERSPĖJIMAS: Visada naudokite prie įrankio pritvirtintą perpetinį diržą. Prieš darbą sureguliuokite perpetinį diržą pagal naudotoją, tai padės išvengti nuovargio.

▲ PERSPĖJIMAS: Prieš darbą įsitinkinkite, kad perpetinis diržas tinkamai pritvirtintas prie įrankio pakabos.

▲ PERSPĖJIMAS: Prieš dirbdami, įsitinkinkite, kad perpetinio diržo sagtis tvirtai užsegta.

▲ PERSPĖJIMAS: Visada naudokite šiam įrankiui skirtą perpetinį diržą. Nenaudokite kitų perpetinių diržų.

1. Perpetinį diržą užsidėkite ant kairiojo peties.
▶ Pav.27
2. Prikabinkite kabliuką ant perpetinio diržo prie įrankio pakabos.
▶ Pav.28: 1. Kabliukas 2. Pakaba
3. Perpetinį diržą nustatykite į patogią darbui padėtį.
▶ Pav.29

Perpetinį diržą galima greitai atsegti. Tiesiog suspauskite sagties šonus ir atsekite įrankį nuo perpetinio diržo.
▶ Pav.30: 1. Sagtis

Darbas su įrankiu

▲ PERSPĖJIMAS: Varikliui veikiant, grandininį pjūklą laikykite atokiau nuo kūno dalių.

▲ PERSPĖJIMAS: Kai veikia variklis, tvirtai laikykite įrankį abiem rankomis.

▲ PERSPĖJIMAS: Nepersitempkite. Visuomet tvirtai stovėkite ant žemės, išlaikykite pusiausvyrą.

▲ PERSPĖJIMAS: Kai pjaunate per šakas, būkite atsargūs, kad neprarastumėte pusiausvyros dėl įrankio galvutės svorio.

▲ PERSPĖJIMAS: Visada turėkite pasitraukimo kelią, jeigu nupjauta šaka kristų operatoriaus link.

▲ PERSPĖJIMAS: Niekada nenaudokite kreipimo juostos galiuko pjovimui. Kitaip gali atsirasti pavojinga atitranka ir galima susižaloti.

PASTABA: Niekada nenusvieskite ar nenumeskite įrankio.

PASTABA: Neuždenkite įrankio ventilacijos angų.

PASTABA: Nespauskite įrankio jėga, nes galite jį sugadinti.

Stovėkite ant stabilaus paviršiaus ir laikykite įrankį toliau nuo šakų, kad įrankio kampas būtų 60° arba mažesnis horizontalaus paviršiaus atžvilgiu.

▶ Pav.31: 1. 60° arba mažesnis

Įjunkite įrankį ir tada šiek tiek prispauskite pjūklo grandinę prie šakos.

Kai pjaunate ilgas šakas, norėdami kontroliuoti nupjautą šakų kritimo padėtį, padalykite šaką dalimis ir pjaukite šaką nuo galo. Atkreipkite dėmesį į krentančias šakas, nes jos gali atšokti nuo žemės operatoriaus kryptimi.

▶ Pav.32

Pjaudami storas šakas, pirmiausia įpjaukite jas iš apačios, tada baikite pjauti iš viršaus.

▶ Pav.33

Jeigu bandysite nupjauti storas šakas iš apačios, šaka gali susispausti ir sužnybti pjūklo grandinę pjūvyje.

Jeigu bandysite nupjauti storas šakas iš viršaus, neatlikę nedidelio įpjovimo iš apačios, šaka gali atsikilti.

▶ Pav.34

Įrankio nešimas

Prieš nešdami įrankį, visada iš įrankio išimkite akumuliatoriaus kasetes ir uždėkite kreipimo juostos gaubtą. Taip pat įdėkite akumuliatoriaus kasetę į akumuliatoriaus dėklą.

Nešiodami įrankį nelieskite gaiduko.

- ▶ Pav.35: 1. Pjovimo juostos gaubtas
2. Akumuliatoriaus dėklas

Įrankio naudojimas su nešiojamuoju maitinimo šaltiniu

Pasirenkamasis priedas

Naudodami įrankį su nešiojamuoju maitinimo šaltiniu, naudokite ir kabančiąją juostą.

Kabančiosios juostos tvirtinimas

1. Kabančiosios juostos kabliukus pritvirtinkite prie perpetinio diržo ar liemens diržo žiedų, kaip parodyta paveikslėlyje. Pasirinkite juostos tipą ir tinkamą naudoti prijungimo metodą.

▶ Pav.36: 1. Žiedas 2. Kabliukas

▶ Pav.37: 1. Žiedas 2. Kabliukas

2. Pritvirtinkite kabliuką prie įrankio.

▶ Pav.38: 1. Kabliukas

Įrankio nuėmimas

Kai norite nuimti įrankį, viena ranka atsekite kabančiosios juostos sagtį, o kita ranka prilaikykite įrankį.

▶ Pav.39: 1. Sagtis

PASTABA: Sagties gali nebūti priklausomai nuo juostos tipo.

Jeigu reikia greitai atlaisvinti įrankį, atlikite toliau nurodytus veiksmus.

1. Pastumkite ant liemens diržo sagties esančias svirtėles, kad atsegtumėte sagtį.

► **Pav.40:** 1. Sagtis 2. Svirtelė

2. Nuimkite perpetinį diržą, kad atlaisvintumėte įrankį ir įtaisą.

► **Pav.41:** 1. Perpetinis diržas

TECHNINĖ PRIEŽIŪRA

▲ PERSPĖJIMAS: Visuomet įsitikinkite, ar įrankis yra išjungtas ir akumulatoriaus kasetė yra nuimta prieš atlikdami apžiūrą ir priežiūrą.

▲ PERSPĖJIMAS: Atlikdami bet kokį patikrinimą arba techninės priežiūros darbus, visada mūvėkite pirštines.

PASTABA: Niekada nenaudokite gazolino, benzino, tirpiklio, spirito arba panašių medžiagų. Gali atsirasti išblukimų, deformacijų arba įtrūkimų.

Kad gaminyt būtų SAUGUS ir PATIKIMAS, jį taisyti, apžiūrėti ar vykdyti bet kokią kitą priežiūrą ar derinimą turi įgaliotasis kompanijos „Makita“ techninės priežiūros centras; reikia naudoti tik kompanijos „Makita“ pagamintas atsargines dalis.

Pjūklo grandinės galandimas

Pjūklo grandinę galąskite, kai:

- pjaunant drėgną medieną, krenta miltų pavidalo pjuvenos;
- grandinė sunkiai skverbiasi į medieną, net ir stipriai spaudžiant;
- pjovimo kraštas yra aiškiai apgadintas;
- pjaunant medieną, pjūklas slenka kairėn arba dešinėn. (taip nutinka dėl nelygaus pjūklo grandinės išgalandimo arba tik vienos pusės apgadavimo)

Dažnai galąskite pjūklo grandinę, tačiau kiekvieną kartą nugaląskite tik šiek tiek. Dažnai galandant, paprastai pakanka dviejų ar trijų dildės brūkštelėjimų. Keletą kartų pagalandus pjūklo grandinę, ją reikėtų atiduoti į mūsų įgaliotąjį techninės priežiūros centrą, kad ją dar kartą pagalaštų.

Galandimo kriterijai:

▲ JSPĖJIMAS: Dėl pernelyg didelio atstumo tarp pjovimo krašto ir gylio ribotuvo padidėja atitranskos pavojus.

► **Pav.42:** 1. Pjovimo dantukų ilgis 2. Atstumas tarp pjovimo krašto ir gylio ribotuvo 3. Mažiausias pjaustytuvo ilgis (3 mm)

— Visų pjovimo dantukų ilgis privalo būti vienodas. Nevienodo ilgio pjovimo dantukai neleidžia pjūklo grandinei tolygiai sukstis, todėl grandinė gali nutrūkti.

- Negaląskite grandinės, kai pjaustytuvo ilgis tapo 3 mm ar mažiau. Grandinę reikia pakeisti nauja.
- Narelio storis nustatomas pagal atstumą tarp gylio ribotuvo (apvali noselė) ir pjovimo dantuko krašto.
- Geriausių pjovimo rezultatų pasiekiami, kai atstumas tarp pjovimo dantuko krašto ir gylio ribotuvo yra toks, kaip nurodyta toliau.

• Grandininio pjūklo ašmenys 80TXL: 0,65 mm

► **Pav.43**

- Visi pjovimo dantukai turi būti vienodai pagalašti 30° kampu. Pjovimo dantukus pagalandus skirtingu kampu, kampo grandinė suksis netolygiai ir nelygiai, ji greičiau susidėvės arba net nutrūks.
- Naudokite tinkamą apvalią dildę, kad dantys būtų pagalašti tinkamu kampu.

• Grandininio pjūklo ašmenys 80TXL: 55°

Dildė ir dildės valdymas

- Grandininio pjūklo grandinės galandimui naudokite specialią apvalią dildę (papildomas priedas). Įprastos apvalios dildės netinka.
- Toliau nurodyti kiekvienai pjūklo grandinei tinkamą apvalių dildžių skersmenys:

• Grandininio pjūklo ašmenys 80TXL: 4,0 mm

— Dildė turi liesti pjovimo dantuką, tik braukiant ją į priekį. Atbulinio judesio metu atkelkite dildę nuo pjovimo dantuko.

— Pirmiausia pagalaškite trumpiausią pjovimo dantį. Šio trumpiausio pjovimo dantuko ilgis tampa šablonu, galandant visus kitus pjūklo grandinės pjovimo dantukus.

— Nukreipkite dildę taip, kaip parodyta piešinyje.

► **Pav.44:** 1. Dildė 2. Pjūklo grandinė

— Dildę lengviau nukreipti, naudojant dildės laikiklį (papildomas priedas). Ant dildės laikiklio pažymėtas teisingas 30° galandimo kampas (sulygiuokite žymes lygiagrečiai su pjūklo grandine) ir prasi-skverbimo gylio ribos (4/5 dildės skersmens).

► **Pav.45:** 1. Dildės laikiklis

— Pagalandę grandinę, patikrinkite gylio ribotuvo aukštį, naudodami grandinės matavimo įrankį (papildomas priedas).

► **Pav.46**

— Specialia plokščia dilde (papildomas priedas) nudildykite bet kokias išsikišusias dalis, kad ir kokios mažos jos būtų.

— Vėl užapvalinkite gylio ribotuvo priekines dalis.

Pjovimo juostos valymas

Atplaišos ir pjuvenos kaupsis pjovimo juostos griovelyje. Jos gali užkimšti juostos griovelį ir trukdyti tekėti alyvai. Kaskart galąsdami arba keisdami pjūklo grandinę, išvalykite šias atplaišas ir pjuvenas.

► **Pav.47**

Žvaigždutės gaubto valymas

Atplaišos ir pjuvenos kaupsis žvaigždutės gaubte. Nuimkite žvaigždutės gaubtą ir grandinę nuo įrankio, tada išvalykite atplaišas ir pjuvenas.

► **Pav.48**

Alyvos tiekimo angos valymas

Darbo metu alyvos tiekimo angoje gali susikaupti smulkii dalelii arba dulkių. Šios dulkės arba dalelės gali sutrikdyti paduodamos alyvos tekėjimą, todėl gali sutrikti visos pjūklo grandinės tepimas. Kai pjovimo juostos galas prastai tepamas grandinės tepimo alyva, išvalykite alyvos tiekimo angą tokiu būdu:

1. Nuimkite nuo įrankio žvaigždutės dangtelį ir pjūklo grandinę.

2. Pašalinkite smulkias daleles arba dulkes, naudodami ploną atsuktuvą arba panašų įrankį.

► **Pav.49:** 1. Atsuktuvą su grioveliais 2. Alyvos išleidimo anga

3. Įkiškite akumulatoriaus kasetę į įrankį. Patraukite svirtinį gaiduką, kad tekanti grandinės tepimo alyva pašalintų alyvos išleidimo angoje susikaupusias dulkes arba kietas daleles.

4. Ištraukite iš įrankio akumulatoriaus kasetę. Uždėkite ant įrankio žvaigždutės dangtelį ir pjūklo grandinę.

Pakeiskite žvaigždutę nauja

⚠️ PERSPĖJIMAS: Susidėvėjusi žvaigždutė sugadins naują pjūklo grandinę. Tokiu atveju žvaigždutę reikia pakeisti nauja.

Prieš uždėdami naują pjūklo grandinę, patikrinkite žvaigždutės būklę. Jeigu žvaigždutė nusidėvėjusi ar pažeista, paprašykite „Makita“ įgaliotųjų techninės priežiūros centrų ją pakeisti.

► **Pav.50:** 1. Žvaigždutė 2. Nusidėvinčios sritys

Įrankio saugojimas

1. Nuvalykite įrankį, prieš sandėliuodami. Nuėmę žvaigždutės gaubtą, nuvalykite nuo įrankio visas atplaišas ir pjūvenas.

2. Nuvalę įrankį, leiskite jam padirbti be apkrovos, kad būtų sutepta pjūklo grandinė ir pjovimo juosta.

3. Įmaukite pjovimo juostą į pjovimo juostos gaubtą.

4. Ištuštinkite alyvos talpyklą.

Nurodymai dėl periodinės techninės priežiūros

Norint užtikrinti ilgą naudojimo trukmę, tinkamą saugos funkcijų veikimą ir apsaugoti nuo sugadinimų, reikia reguliariai atlikti šiuos techninės priežiūros darbus. Garantiniai reikalavimai galės būti pripažinti tik tuomet, jei reguliariai ir tinkamai bus atliekami šie darbai. Jeigu nurodyti techninės priežiūros darbai nebus atliekami, gali įvykti nelaimingi atsitikimai! Įrankio naudotojas negali atlikti techninės priežiūros darbų, kurie nėra aprašyti instrukcijų vadove. Visus šiuos darbus turi atlikti mūsų įgaliotasis techninės priežiūros centras.

Tikrintinas elementas / veikimo laikas		Prieš darbą	Kasdien	Kas savaitę	Kas 3 mėnesius	Kasmet	Prieš dedant laikyti
Visas įrankis	Patikrinimas.	✓	-	-	-	-	-
	Valymas.	-	✓	-	-	-	-
	Kreipkitės į įgaliotąjį techninės priežiūros centrą.	-	-	-	-	✓	✓
Pjūklo grandinė	Patikrinimas.	✓	-	-	-	-	-
	Jei reikia, galandimas.	-	-	-	-	-	✓
Pjovimo juosta	Patikrinimas.	✓	✓	-	-	-	-
	Nuimkite nuo įrankio.	-	-	-	-	-	✓
Grandinės tepimas	Patikrinkite alyvos tiekimo greitį.	✓	-	-	-	-	-
Gaidukas	Patikrinimas.	✓	-	-	-	-	-
Atlaisvinimo mygtukas	Patikrinimas.	✓	-	-	-	-	-
Alyvos bakelio dangtelis	Patikrinkite užveržimą.	✓	-	-	-	-	-
Sraigčiai ir veržlės	Patikrinimas.	-	-	✓	-	-	-

GEDIMŲ ŠALINIMAS

Prieš kreipdamiesi dėl remonto darbų, pirmiausia patikrinkite gedimus patys. Kilus problemų, apie kurias nepaaiškinta vartotojo vadove, nemėginkite ardyti įrankio. Kreipkitės į įgaliotuosius „Makita“ techninės priežiūros centrus, kuriuose remontui visuomet naudojamos originalios „Makita“ keičiamosios dalys.

Trikties būseną	Priežastis	Veiksmas
Įrankis neįsijungia.	Neįdėta akumuliatoriaus kasetė.	Įdėkite įkrautą akumuliatoriaus kasetę.
	Akumuliatoriaus problema (maža įtampa).	Įkraukite akumuliatoriaus kasetes. Jei įkrauti nepavyksta, akumuliatoriaus kasetę pakeiskite.
Po trumpo naudojimo laikotarpio variklis nustoja veikęs.	Mažas akumuliatoriaus įkrovos lygis.	Įkraukite akumuliatoriaus kasetes. Jei įkrauti nepavyksta, akumuliatoriaus kasetę pakeiskite.
Ant grandinės nėra alyvos.	Tuščias alyvos bakelis.	Pripildykite alyvos bakelį.
	Nešvarus alyvos nukreipimo griovelis.	Išvalykite griovelį.
Įrankis nepasiekia didžiausių apsisukimų per minutę.	Akumuliatoriaus kasetė netinkamai įdėta.	Akumuliatoriaus kasetes įdėkite, kaip aprašyta šioje naudojimo instrukcijoje.
	Mažėja akumuliatoriaus galia.	Pakartotinai įkraukite akumuliatoriaus kasetę. Jei įkrauti nepavyksta, akumuliatoriaus kasetę pakeiskite.
	Netinkamai veikia pavaros sistema.	Dėl remonto darbų kreipkitės į regiono įgaliotąjį techninės priežiūros centrą.
Neįprasta vibracija: nedelsdami išjunkite įrankį!	Atsilaisvinusi pjovimo juosta arba pjūklo grandinė.	Pareguliuokite pjovimo juostos arba pjūklo grandinės įtempimą.
	Įrankio triktis.	Dėl remonto darbų kreipkitės į regiono įgaliotąjį techninės priežiūros centrą.
Negalima uždėti pjūklo grandinės.	Netinkamas pjūklo grandinės ir žvaigždutės derinys.	Naudokite tinkamą pjūklo grandinės ir žvaigždutės derinį, peržiūrėję skyrelyje technines sąlygas.

PASIRENKAMI PRIEDAI

▲PERSPĖJIMAS: Šiuos papildomus priedus arba įtaisus rekomenduojama naudoti su šioje instrukcijoje nurodytu „Makita“ bendrovės įrankiu. Naudojant bet kokius kitus papildomus priedus arba įtaisus, gali kilti pavojus sužeisti žmones. Naudokite tik nurodytam tikslui skirtus papildomus priedus arba įtaisus.

Jeigu norite daugiau sužinoti apie tuos priedus, kreipkitės į artimiausią „Makita“ techninės priežiūros centrą.

- Pjūklo grandinė
- Pjovimo juosta
- Pjovimo juostos gaubtas
- Dildė
- Perpetinis diržas
- Grandinė skirta alyva
- Žvaigždutė
- Originalus „Makita“ akumuliatorius ir įkroviklis

▲ISPĖJIMAS: Jeigu įsigysite skirtingo ilgio kreipimo juostą nei standartinė kreipimo juosta, taip pat kartu įsigykite tinkamą kreipimo juostos gaubtą. Jis turi tikti ir visiškai uždengti įrankio kreipimo juostą.

PASTABA: Kai kurie sąraše esantys priedai gali būti pateikti įrankio pakuotėje kaip standartiniai priedai. Jie įvairiose šalyse gali skirtis.

TEHNILISED ANDMED

Mudel:		DUA200
Üldpikkus (ilma juhtlati ja lisaseadiseta)		1620 mm / 2520 mm
Nimipinge		Alalisvool 18 V
Netokaal	*1	3,2 kg
	*2	3,2–3,5 kg
Standardse juhtlati pikkus		200 mm
Soovituslik juhtlati pikkus	koos 80TXL-iga	200 mm
Sobiv saeketi tüüp (vt alljärgnevat tabelit)		80TXL
Standardne ketiratas	Hammaste arv	7
	Samm	0,325"
Keti kiirus		6,7 m/s (402 m/min)
Ketiõli paagi mahutavus		55 cm ³

- Meie pideva uuringu- ja arendusprogrammi tõttu võidakse tehnilisi andmeid muuta ilma sellest ette teatamata.
- Tehnilised andmed võivad riigiti erineda.

*1: Kaal koos suurima akukasetti ja tühja õlipaagiga ning ilma juhtlati, keti, kandevöö ja lisaseadiseta, standardi EN ISO11680-1 kohaselt.

*2: Kergeima ja raskeima kaalu kombinatsioon EPTA-protseduuri 01/2014 kohaselt. Kaal võib erineda olenevalt lisaseadistest, kaasa arvatud akukasettist.

Sobiv akukasett ja laadija

Akukasett	BL1815N / BL1820B / BL1830B / BL1840B / BL1850B / BL1860B
Laadija	DC18RC / DC18RD / DC18RE / DC18SD / DC18SE / DC18SF / DC18SH / DC18WC

- Mõned eespool loetletud akukasettid ja -laadijad ei pruugi olla teie riigis saadaval.

⚠ HOIATUS: Kasutage ainult ülalpool loetletud akukasette ja laadijaid. Muude akukasettide ja laadijate kasutamine võib tekitada vigastusi ja/või tulekahju.

Soovitatud juhtmega ühendatav toiteallikas

Portatiivne akukomplekt	PDC01
-------------------------	-------

- Eespool loetletud juhtmega ühendatavad toiteallikad ei pruugi olla teie riigis saadaval.
- Enne juhtmega ühendatava toiteallika kasutamist lugege neil olevaid juhiseid ja ettevaatusabinõusid.







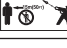




Saeketi, juhtlati ja ketiratta kombinatsioon

Saeketi tüüp		80TXL
Veolülide arv		38
Juhtlatt	Juhtlati pikkus	200 mm
	Lõikepikkus	185 mm
	Samm	0,325"
	Veolüli paksus	1,1 mm
	Tüüp	Ketiratta otsa latt
Ketiratas	Hammaste arv	7
	Samm	0,325"

⚠ HOIATUS: Kasutage juhtlati ja saeketi sobivat kombinatsiooni. Muidu võib tulemuseks olla kehavigastus.

Sümbolid

Alljärgnevalt kirjeldatakse tingimärke, mida võidakse seadmetel kasutada. Enne seadme kasutamist tehke endale selgeks nende tähendus.

	Ärge jätke seadet niiskuse kätte.
	Lugege juhendit.
	Kandke kiivrit, kaitseprille ja kõrvakaitsmeid.
	Kandke kaitsekindaid.
	Kandke tugevaid libisemiskindla tallaga jalatseid. Soovitatavalt kandke terasest ninakapiga kaitsejalatseid.
	Ettevaatust elektriliinidega, elektrilöögioht
	Hoidke vähemalt 15 m vahekaugust
	Suurim lubatud lõikepikkus
	Keti liikumise suund
	Ketiõli paak
	Ainult EL-i riihide puhul Seadmes sisalduvate ohtlike osade tõttu võivad elektri- ja elektroonikaseadmete jäätmel, akud ja patareid avaldada negatiivset mõju keskkonnale ja inimeste tervisele. Elektri- ja elektroonikaseadmeid ega akusid ei tohi kõrvaldada koos olmejäätmetega! Euroopa elektri- ja elektroonikaseadmete jäätmel, akude ja patareide ning nende jäätmel direktiivi ja riiklikku õigusesse ülevõtmise kohaselt tuleb elektri- ja elektroonikaseadmete, akude ja patareide jäätmel koguda eraldi ning viia eraldiseisvasse olmejäätmete kogumispunkti, mis tegutseb kooskõlas keskkonnakaitse eeskirjadega. Sellele osutab seadmele paigaldatud läbikriipsutatud ratastega prügikasti sümbol.



Garanteeritud helivõimsustase ELi välis-tingimustes kasutatavate seadmete müradirektiivi kohaselt.



Helivõimsustase Austraalia NSW mürakontrolli määruse kohaselt

Kavandatud kasutus

Tööriist on mõeldud okste pügamiseks.

Müra

Tüüpiline A-korrigeeritud müratase, määratud standardi ISO22868(ISO11680-1) kohaselt:
Helirõhutase (L_{pA}): 79 dB (A)
Helivõimsuse tase (L_{WA}): 87 dB (A)
Määramatus (K): 3 dB (A)

MÄRKUS: Deklareeritud müra väärtust (väärtuseid) on mõõdetud kooskõlas standardse katsemeetodiga ning seda võib kasutada ühe seadme võrdlemiseks teisega.

MÄRKUS: Deklareeritud müra väärtust (väärtuseid) võib kasutada ka mürataseme esmaseks hindamiseks.

⚠️ HOIATUS: Kasutage kõrvakaitsmeid.

⚠️ HOIATUS: Müratase võib elektritööriista tegelikkuses kasutamise ajal erineda deklareeritud väärtust(t)est olenevalt tööriista kasutusviisidest ja eriti töödeldavast toorikust.

⚠️ HOIATUS: Rakendage operaatori kaitseks kindlasti piisavaid ohutusabinõusid, mis põhinevad hinnangulisel müratasemel tegelikus tööolukorras (võttes arvesse tööperioodi kõiki osasid, näiteks korrad, kui seade lülitatakse välja ja seade töötab tühikäigul, lisaks tööajale).

Vibratsioon

Vasakpoolne käepide (eesmine käepide)		Parempoolne käepide (tagumine käepide)		Kohaldatav standard
ah (m/s^2)	Määramatus K (m/s^2)	ah (m/s^2)	Määramatus K (m/s^2)	
2,5 või vähem	1,5	2,5 või vähem	1,5	ISO22867(ISO11680-1)

MÄRKUS: Deklareeritud vibratsiooni koguväärtust (-väärtuseid) on mõõdetud kooskõlas standardse katsemeetodiga ning seda võib kasutada ühe seadme võrdlemiseks teisega.

MÄRKUS: Deklareeritud vibratsiooni koguväärtust (-väärtuseid) võib kasutada ka mürataseme esmaseks hindamiseks.

⚠️HOIATUS: Vibratsioonitase võib elektritööriista tegelikkuses kasutamise ajal erineda deklareeritud väärtus(t)est olenevalt tööriista kasutusviisidest ja eriti töödeldavast toorikust.

⚠️HOIATUS: Rakendage operaatori kaitsmiseks kindlasti piisavaid ohutusabinõusid, mis põhinevad hinnangulisel müratasemel tegelikus töösituatsioonis (võttes arvesse tööperioodi kõiki osasid, näiteks korrad, kui seade lülitatakse välja ja seade töötab tühikäigul, lisaks tööajale).

Vastavusdeklaratsioon

Ainult Euroopa riikide puhul

Vastavusdeklaratsioonid on selle juhendi A-lisas.

OHUTUSHOIATUSED

Üldised elektritööriistade ohutushoiatused

⚠️HOIATUS Lugege läbi kõik selle elektritööriistaga kaasas olevad ohutushoiatused, juhised, illustratsioonid ja tehnilised andmed. Alljärgnevate juhiste eiramine võib põhjustada elektrilöögi, süttimise ja/või raske kehavigastuse.

Hoidke edaspidisteks viideteks alles kõik hoiatused ja juhtnõõrid.

Hoiatustes kasutatud termini „elektritööriist“ all peetakse silmas elektriga töötavaid (juhtmega) elektritööriistu või akuga töötavaid (juhtmeta) elektritööriistu.

Juhtmeta oksasae ohutushoiatused

Üldised ettevaatusabinõud

1. Enne seadme käivitamist lugege kasutusjuhend läbi ja tehke endale seadme käsitsemine selgeks.
2. Ärge laenake tööriista isikule, kellel pole tööriista käsitsemiseks piisavalt kogemusi ja teadmisi.
3. Seadme laenamisel andke sellega alati kaasa ja kasutusjuhend.
4. Ärge lubage tööriista kasutada alla 18-aastastel lastel või noorukitel. Hoidke neid tööriistast eemal.
5. Seadme käitsemisel tuleb olla ülimalt ettevaatlik ja tähelepanelik.
6. Ärge kunagi kasutage seadet siis, kui olete tarvitanud alkoholi või ravimeid või kui tunnete ennast väsinuna või olete haige.
7. Ärge kunagi püüdke seadet muuta.
8. Ärge kasutage tööriista halbades ilmastikuoludes, eriti kui valitseb äikeseoht. Sellega vähendate pikselöögiohtu.
9. Riiklikud regulatsioonid võivad tööriista kasutamist piirata. Jälgige oma riigis kehtestatud tööriista käitsemist käsitlevaid regulatsioone.

Isikukaitsesevahendid

1. Kandke kaitsekiivrit, -prille ja -kindaid, et kaitsta ennast lendava prahi või kukkuvate esemete eest.

2. Kandke kuulmiskaitsevahendeid, näiteks kõrvatrope, et vältida kuulmiskadu.
3. Kandke ohutuks tööks sobivaid rõivaid ja jalanõusid, näiteks töökombinesooni ja tugevaid libisemiskindlaid jalatseid. Ärge kandke avaraid rõivaid ega ehteid. Avarad riideesemed, ehted või pikad juuksed võivad liikuvate osade vahele takerduda.
4. Saeketi käitsemisel või keti pinge reguleerimisel tuleb kanda kaitsekindaid. Saekett võib paljasse kätte väga raskelt sisse löigata.

Tööpiirkonna ohutus

1. Hoidke tööriista vähemalt 15 m kaugusel elektriliinidest ja sidekaablitest (sh nendega kokkupuutuvatest okstest). Kõrgpingeliinide katsumine või nendele tööriistaga lähenemine võib lõppeda surma või tõsise vigastusega. Vaadake enne tööde algust, kus asuvad tööpiirkonna läheduses elektriliinid ja -aedikud.
2. Kasutage seadet ainult hea nähtavuse korral ja päevalvalges. Ärge kasutage seadet pimedas ega udus.
3. Ärge kunagi seiske töö ajal ebastabiilsel või libedal pinnal ega järsul nõlvakul. Talvisel ajal arvestage jää ja lumega ning veenduge alati, et jalgadel oleks kindel toetuspind.
4. Hoidke kõrvalseisjad ja loomad töötamise ajal tööriistast vähemalt 15 m kaugusel. Seisake seade kohe, kui keegi teile läheneb.
5. Kahe või enama inimesega koos töötamisel hoidke teineteisest vähemalt 15 m kaugusele ja määrake järelevaataja.
6. Enne töö alustamist uurige, kas tööpiirkonnas leidub traataedu, kive või muid kõvasid esemeid. Need võivad saeketti kahjustada.

Ettevalmistus

1. Enne tööriista monteerimist või reguleerimist lülitage tööriist välja ja eemaldage akukassett.
2. Enne saeketi käitsemist või keti pinge reguleerimist tuleb kätte panna kaitsekindaid.
3. Enne tööriista käivitamist kontrollige, et tööriistal ei oleks vigastusi, lahtisi polte/mutreid või valesti monteeritud osi. Nüri saeketti tuleb teritada. Kui saekett on paindunud või kahjustunud, tuleb see asendada. Kontrollige, kas kõik juhtnõõrad ja lülitid liiguvad vabalt. Puhastage ja kuivatage käepidemed.
4. Ärge püüdke tööriista käivitada, kui tööriist on kahjustunud või lõpuni kokku panemata. Muidu võib tekkida tõsine vigastus.
5. Reguleerige kandevööd, võttes arvesse kasutaja kehasuurust.
6. Reguleerige keti pinget sobivaks. Vajaduse korral lisage ketioli.

Tööriista käivitamine

1. Enne tööriista käivitamist pange selga isikukaitsesevahendid.

2. Enne tööriista käivitamist veenduge, et tööpiirkonnas ei asuks ühtegi inimest ega looma.
3. Akukasseti paigaldamisel hoidke saekett ja juhtlatt oma kehast ja muudest objektidest, sh maapinnast eemal. Saekett võib tööriista käivitamisel liikuda ja põhjustada tõsiseid kehavigastusi või kahjustusi saeketile ja/või varale.
4. Asetage tööriist kindlale maapinnale. Hoidke head tasakaalu ja kindlat jalgealust.

Kasutamine

1. Hädaolukorras lülitage seade viivitamatult välja.
2. Kui märkate töö ajal ebatavalisi tingimusi (nt müra, vibratsiooni), lülitage tööriist välja. Ärge kasutage seadet enne, kui põhjus on kindlaks tehtud ja kõrvaldatud.
3. Saekett jätkab pärast tööriista väljalülitamist lühikest aega liikumist. Ärge kiirustage saeketi katsumisega.
4. Kasutage töötamise ajal kandevööd. Hoidke seadet kindlalt oma paremal küljel.
5. Hoidke eesmisest käepidemest vasaku käega ja tagumisest käepidemest parema käega olenemata sellest, kas olete parema- või vasakukäeline. Keerake sõrmed ja põidlad ümber käepidemete.
6. Hoidke tööriista ainult isoleeritud haardepindadest, sest saekett võib puutada kokku peidetud juhtmetega. Voolu all oleva juhtmega kokkupuutesse sattunud saekett võib pingestada pikendatud pügaja metallosi ja põhjustada kasutajale elektrilöögi.
7. Ärge püüdke tööriista kunagi ühe käega kasutada. Kontrolli kaotamine võib põhjustada raske või surmaga lõppeda võiva vigastuse. Vigastusohu vähendamiseks hoidke käed ja jalad saeketist eemal.
8. Ärge küünitage liiga kaugele ette. Hoidke jalad kogu aeg kindlalt maas ja hoidke tasakaalu. Koristamise vältimiseks olge tähelepanelik varjatud takistuste, nt kändude, puujuurte ja kraavide suhtes. Koristage eest kukkunud oksad ja muud objektid.
9. Kontrolli kaotamise vältimiseks ärge kunagi töötage redelil või puu otsas.
10. Kui seade saab tugeva löögi või kukub maha, kontrollige enne töö jätkamist selle seisukorda. Kahjustuse või kahtluse korral paluge volitatud Makita teeninduskeskuses teha ülevaatus ja parandus.
11. Ärge kasutage tööriista pead. Tööriista pea muutub töötamise ajal kuumaks.
12. Tehke väsimusest tingitud kontrollikaotuse vältimiseks puhkepause. Soovitame iga tunni järel teha 10 kuni 20-minutilise pausi.
13. Kui lahkute tööriista juurest kasvõi lühikeseks ajaks, lülitage tööriist alati välja ja eemaldage akukassett. Töötavat ja valveta tööriista võib kasutada volitamata isik ning põhjustada tõsise õnnetuse.
14. Ärge tõstke paremat kätt tööriista kasutamise ajal õlast kõrgemale.
15. Ärge lööge saeketti töötamise ajal vastu kõrvasid takistusi, nagu kivid ja naelad. Olge eriti

ettevaatlik, kui löikate oksa seinu, traataia vms läheduses.

16. Kui oksad jäävad tööriista kinni, lülitage tööriist alati välja ja eemaldage akukassett. Muidu võib tahtmatu käivitumine põhjustada raskeid vigastusi.
17. Kui saekett ummistub, lülitage tööriist enne puhastamist alati välja ja eemaldage akukassett.
18. Enne okste lõikamist jälke endale ruumi langetavate okste eest eemaldumiseks. Esmalt eemaldage tööpiirkonnast takistused, näiteks oksad. Viige kõik tööriistad ja esemed mujale turvalisse kohta.
19. Enne okste lõikamist kontrollige nende langesuunda, võttes arvesse okste seisundit, külgnevaid puid, tuule suunda jne. Pöörake kindlasti tähelepanu langesuunnale ja maapinnale langeva oksa tagasipõrkele.
20. Ärge hoidke tööriista kunagi üle 60° nurga all. Muidu võivad langevad esemed kasutajat tabada ja põhjustada tõsiseid vigastusi. Ärge seiske kunagi lõigatava oksa all.
21. Pöörake tähelepanu murdunud või paindunud okstele. Need võivad lõikamisel tagasi põrgata ja tekitada ootamatuid vigastusi.
22. Enne okste lõikamist eemaldage lõikamiseks mõeldud okste ümber oksad ja lehed. Muidu võib saekett neisse kinni jääda.
23. Selleks et vältida saeketi saeteesse kinnijäämist, ärge laske hooba lahti enne, kui saekett on saeteest välja tõmmatud.
24. Kui saekett on saeteesse kinni jäänud, lülitage tööriist viivitamatult välja, eemaldage oksa ettevaatlikult, et saetee avada ja saekett vabastada.
25. Vältige tagasilööki (pöörlev reageeriv jõud kasutaja suhtes). Tagasilöögi vältimiseks ärge kasutage kunagi juhtlatti nina ega tehke läbis-tavat löiget. Jälgige alati juhtlatti nina asendit.
26. Kontrollige sageli keti pingust. Keti pinguse kontrollimisel või reguleerimisel lülitage tööriist välja ja eemaldage akukassett. Kui pingus on nõrk, pingutage seda.

Vibratsioon

1. Kokkupuude ülemäärase vibratsiooniga kahjustab operaatori veresooni ja närvisüsteemi ning põhjustab sõrmedes, kätes ja randmetes järgmisi sümptomeid: „ärasuremine“ (tundetus), kihelemine, valu, torkimisaisting, naha värvuse või naha muutused. Kui teil esineb mõni nimetatud sümptomitest, pöörduge arsti poole. „Valge sõrme sündroomi“ ohu vähendamiseks hoidke käed töötamise ajal sooja ning hool-dage seadet ja tarvikuid korralikult. Järgige kohalikke eeskirju või arsti nõuandeid tööaja kohta.

Transportimine

1. Enne tööriista transportimist lülitage tööriist välja ja eemaldage akukassett. Paigaldage transportimise ajaks alati juhtlatti kate.
2. Kandke tööriista transportimise ajal horisontaalses asendis, hoides käepidemest kinni.

Hooldus

1. Laske seadet hooldada meie volitatud hoolduskeskus, kasutades alati ainult algupäraseid varuosi. Oskamatult tehtud parandus või nõuetele mittevastav hooldus võivad seadme kasutusiga lühendada ja põhjustada õnnetusjuhtumeid.
2. Enne tööriista hooldamist, parandamist või puhastamist lülitage tööriist alati välja ja eemaldage akukassett. Oodake, kuni tööriist on maha jahtunud.
3. Saeketi käsitsemise ajal kandke alati kaitsekindaid.
4. Pärast igat kasutust pingutage kõik kruvid ja mutrid, v.a reguleerimiskruvid.
5. Hoidke saekett teravana. Kui saekett muutub nõriks ja löikejõudlus on kehv, paluge see Makita volitatud teeninduskeskuses teritada või asendada uuega.
6. Ärge tehke hooldus- või parandustöid, mida pole kasutusjuhendis kirjeldatud. Paluge selliseid töid teha Makita volitatud teeninduskeskuses.
7. Kasutage alati Makita originaalvaruosi ja -tarvikuid. Teiste tootjate osade või tarvikute kasutamine võib kaasa tuua seadme rikke, varalise kahju ja/või raske vigastuse.

Hoiundamine

1. Enne seadme hoiulepanekut tehke sellele täielik puhastus ja hooldus. Paigaldage juhtlatti kate. Eemaldage akukassett. Kui tööriist on maha jahtunud, laske ketiõli välja.
2. Hoidke seadet kuivas kohas, lastele kättesaamatult kõrgel riulil või luku taga.
3. Ärge toetage seadet millegi, näiteks seina vastu. Seade võib ootamatult ümber kukkuda ja vigastusi tekitada.

Elektriohutus ja aku ohutu talitlus

1. Ärge visake kasutatud akut (akusid) tulle. Element võib plahvatada. Kasutatud akude käitlemise võimalikud erinõuded leiate kohalikest eeskirjadest.
2. Akut (akusid) ei tohi avada ega kahjustada. Väljavalgunud elektrolüüt on söövitava toimega ning võib kahjustada silmi ja nahka. See võib osutada allaneelamisel mürgiseks.
3. Ärge laadige akut vihma käes ega märjas keskkonnas.
4. Ärge laadige akut välistingimustes.
5. Ärge käsitsege laadurit, sa laaduri pistikut ja laadimisterminale märgade kätega.
6. Vältige ohtlikke piirkondi. Ärge kasutage seadet niisketes või märgades kohtades ega jätke seda vihma kätte. Seadmesse sisse sattunud vesi suurendab elektrilöögiohtu.

HOIDKE JUHEND ALLES.

⚠️HOIATUS: ÄRGE UNUSTAGE järgida toote ohutusnõudeid mugavuse või toote (korduskasutamise saavutatud) hea tundmise tõttu. VALE KASUTUS või kasutusjuhendi ohutuseeskirjade eiramine võib põhjustada tervisekahjustusi.

Akukassetiga seotud olulised ohutusjuhised

1. Enne akukasseti kasutamist lugege (1) akulaadija, (2) akul ja (3) seadmel olevad juhtnõidid ja hoiatused läbi.
2. Ärge võtke akukassetti lahti ega muutke seda. See võib põhjustada tulekahju, liigset kuumust või plahvatuse.
3. Kui tööaeg järsult lüheneb, siis lõpetage kohe kasutamine. Edasise kasutamise tulemuseks võib olla ülekuumenemisoht, võimalikud põletused või isegi plahvatus.
4. Kui elektrolüüti satub silma, siis loputage silma puhta veega ja pöörduge koheselt arsti poole. Selline õnnetus võib põhjustada pimedaksjäämist.
5. Ärge tekitage akukassetis lühist:
 - (1) Ärge puutuge klemme elektrijuhtidega.
 - (2) Ärge hoidke akukassetti tööriistakastis koos metallsemetega, nagu naelad, mündid jne.
 - (3) Ärge tehke akukassetti märjaks ega jätke seda vihma kätte.Aku lühis võib põhjustada tugevat elektrivoolu, ülekuumenemist, põletusi ning ka seadet tõsiselt kahjustada.
6. Ärge hoidke ega kasutage tööriista ja akukassetti kohtades, kus temperatuur võib tõusta üle 50 °C (122 °F).
7. Ärge põletage akukassetti isegi siis, kui see on saanud tõsiselt vigastada või on täiesti kulu- nud. Akukassett võib tules plahvatada.
8. Ärge naelutage, löigake, muljuge, visake akukassetti ega laske sel kukkuda, samuti ärge lööge selle pihta kõva esemega. Selline tegevus võib põhjustada tulekahju, liigset kuumust või plahvatuse.
9. Ärge kasutage kahjustatud akut.
10. Sisalduvatele liitium-ioonakudele võivad kohalduda ohtlike kaupade õigusaktide nõuded. Kaubanduslikul transportimisel, näiteks kolmanda poolte või transpordiettevõtete poolt, tuleb järgida pakendil ja siltidel toodud erinõudeid. Transportimiseks ettevalmistamisel on vajalik pidada nõu ohtliku materjali ekspordiga. Samuti tuleb järgida võimalike riiklike regulatsioonide üksikasjalikumaid nõudeid. Katke teibiga või varjake avatud kontaktid ja pakendage aku selliselt, et see ei saaks pakendis liukuda.
11. Kasutuskõlbmatuks muutunud akukasseti kõrvaldamiseks eemaldage see tööriistast ja viige selleks ette nähtud kohta. Järgige kasutuskõlbmatuks muutunud aku kõrvaldamisel kohalikke eeskirju.
12. Kasutage akusid ainult Makita heaks kiidetud toodetega. Akude paigaldamine selleks mitte ettenähtud toodetele võib põhjustada süttimist, ülemäärast kuumust, plahvatamist või elektrolüüdi lekkimist.
13. Kui tööriista ei kasutata pika ajaperioodi jooksul, tuleb aku tööriistast eemaldada.

14. Kasutamise ajal ja pärast kasutamist võib akukassett kuumeneda, mis võib põhjustada põletusi või madala temperatuuri põletusi. Olge kuuma akukasseti kandmisel ettevaatlik.
15. Ärge puudutage tööriista klemmi kohe pärast kasutamist, sest see võib olla kuum ja põhjustada põletusi.
16. Hoidke akukasseti klemmid, avad ja sooned tükikestest, tolmust ja mullast puhtad. See võib põhjustada tööriista või aku ülekuumenemist, süttimist, purunemist ja talitlushäireid, mis võib lõppeda põletuste või kehavigastustega.
17. Kui tööriist ei kannata kasutamist kõrgepingeliinide lähedal, ärge kasutage akukassetti kõrgepingeliinide lähedal. Muidu võib tööriist või akukassett puruneda või sellel tõrge tekkida.
18. Hoidke akut lastele kättesaamatult.

HOIDKE JUHEND ALLES.

⚠ETTEVAATUST: Kasutage ainult Makita originaalakusid. Mitte Makita originaalakude või muudetud akude kasutamine võib põhjustada akude süttimise, kehavigastuse ja kahjustuse. Samuti muudab see kehtetuks Makita tööriista ja laadija Makita garantii.

Vihjeid aku maksimaalse kasutajaga tagamise kohta

1. Laadige akukassetti enne selle täielikku tühjenemist. Kui märkate, et tööriist töötab väiksema võimsusega, peatage töö ja laadige akukassetti.
2. Ärge laadige täielikult laetud akukassetti. Ülelaadimine lühendab akude kasutusiga.
3. Laadige akukassetti toatemperatuuril 10 °C - 40 °C. Enne laadimist laske kuumenenud akukassetil maha jahtuda.
4. Kui te ei kasuta parajasti akukassetti, eemaldage see tööriistast või laadurist.
5. Kui te ei kasuta akukassetti kauem kui kuus kuud, laadige see.

OSADE KIRJELDUS

► Joon.1

1	Käepidememoodul	2	Keskmine pikenduslattu	3	Saepeamoodul
4	Riputi	5	Lukust avamise nupp	6	Akukassett
7	Lüliti päästik	8	Tagumine käepide	9	Saekett
10	Juhtlattu	11	Õlipaagi kork	12	Hoob
13	Peanurga reguleerimisnupp	14	Juhtlati kate	15	Eesmine pide

FUNKSIONAALNE KIRJELDUS

⚠ETTEVAATUST: Kandke alati hoolt selle eest, et tööriist oleks enne reguleerimist ja kontrollimist välja lülitatud ja akukassett eemaldatud.

Akukasseti paigaldamine või eemaldamine

⚠ETTEVAATUST: Lülitage tööriist alati enne akukasseti paigaldamist või eemaldamist välja.

⚠ETTEVAATUST: Akukasseti paigaldamisel või eemaldamisel tuleb tööriista ja akukassetti kindlalt paigal hoida. Kui tööriista ja akukassetti ei hoita kindlalt paigal, võivad need käest libiseda ning kahjustada tööriista ja akukassetti või põhjustada kehavigastusi.

Akukasseti paigaldamiseks joondage akukasseti keel korpuse soonega ja libistage kassett oma kohale. Sisestage see tervenisti, kuni see lukustub klõpsuga oma kohale. Kui näete joonisel näidatud punast näidikut, pole see täielikult lukustunud.

Akukasseti eemaldamiseks libistage see tööriista küljest lahti, vajutades kasseti esiküljel paiknevat nuppu alla.

► **Joon.2:** 1. Punane näidik 2. Nupp 3. Akukassett

⚠ETTEVAATUST: Paigaldage akukassett alati täies ulatuses nii, et punast osa ei jääks näha. Muidu võib adapter juhuslikult tööriistast välja kukkuda ning põhjustada teile või läheduses viibivatele isikutele vigastusi.


















⚠ETTEVAATUST: Ärge rakendage akukasseti paigaldamisel jõudu. Kui kassett ei lähe kergesti sisse, pole see õigesti paigaldatud.

Aku jääkmahutavuse näit

Ainult näidikuga akukassettidele

Akukasseti järelejäanud mahutavuse kontrollimiseks vajutage kontrollimise nuppu. Märgulambid süttivad mõneks sekundiks.

► **Joon.3:** 1. Märgulambid 2. Kontrollimise nupp

Märgulambid			Jääkmahutavus
 Pöleb	 Ei põle	 Vilgub	
			75 - 100%
			50 - 75%
			25 - 50%
			0 - 25%
			Laadige akut.
			Akul võib olla tõrge.
			

MÄRKUS: Näidatud mahutavus võib veidi erineda tegelikust mahutavusest olenevalt kasutustingimustest ja ümbritseva keskkonna temperatuurist.

MÄRKUS: Esimene (taga vasakul asuv) märgutuli vilgub, kui akukaitsesüsteem töötab.

Tööriista/aku kaitsesüsteem

Tööriist on varustatud tööriista või aku kaitsesüsteemiga. Süsteem lülitab mootori automaatselt välja, et pikendada tööriista ja aku tööiga. Tööriist seiskub käitamise ajal automaatselt, kui tööriista või aku kohta kehtib üks järgmistest tingimustest.

Ülekoormuskaitse

Kui akut kasutatakse viisil, mis põhjustab ebaharilikult suurt voolutarbimist, seiskub tööriist automaatselt. Sellises olukorras vabastage seiskamiseks lüliti päästik ja vältige kasutust, mis põhjustas tööriista ülekoormuse. Seejärel vajutage taaskäivitamiseks lukust avamise nupp alla ja vajutage lüliti päästikut.

Ülekuumenemiskaitse

Tööriista või aku ülekuumenemisel seiskub tööriist automaatselt. Sellisel juhul laske tööriistal ja akul enne tööriista taaskäivitamist maha jahtuda.

MÄRKUS: Kõrge temperatuuriga keskkonnas hakkab tõenäoliselt tööle ülekuumenemise kaitse ja tööriist peatub automaatselt.

Ülelaadimiskaitse

Kui aku jääkmahutavus ei ole piisav, seiskub tööriist automaatselt. Sellisel juhul eemaldage aku tööriistast ja laadige akut.

Lüliti funktsioneerimine

⚠️HOIATUS: Teie ohutuse huvides on tööriist varustatud lukust avamise nupuga, mis hoiab ära tööriista soovimatu käivitamise. **ÄRGE KUNAGI** kasutage tööriista, kui see hakkab tööle ka siis, kui vajutate lihtsalt lüliti päästikut, ilma lukust avamise nuppu vajutamata. **ENNE** edasi kasutamist viige tööriist asjatundlikuks parandamiseks meie volitatud teeninduskeskusesse.

⚠️HOIATUS: ÄRGE KUNAGI teipige lukust avamise nuppu kinni ega takistage selle funktsioneerimist muul viisil.

⚠️ETTEVAATUST: Kontrollige alati enne akukasseti tööriista külge paigaldamist, kas lüliti päästik funktsioneerib nõuetekohaselt ja liigub lahtilaskmisel tagasi väljalülitatud asendisse.

TÄHELEPANU: Ärge vajutage lüliti päästikut jõuga ilma lukust avamise nuppu vajutamata. Vastasel juhul võib lüliti puruneda.

Lüliti päästiku juhusliku vajutamise vältimiseks on tööriistal lukust avamise nupp. Tööriista käivitamiseks vajutage lukust avamise nupp alla ja vajutage lüliti päästikut. Seiskamiseks laske lüliti päästik lahti.

► **Joon.4:** 1. Lüliti päästik 2. Lukust avamise nupp

Elektroniline funktsioon

Tööriist on varustatud lihtsama kasutamise jaoks elektrooniliste funktsioonidega.

- Elektripidur
Tööriistal on elektripidur. Kui tööriist ei seisku järjepidevalt kohe pärast lüliti päästiku vabastamist, viige tööriist hoolduseks Makita teeninduskeskusesse.

KOKKUPANEK

⚠️HOIATUS: Ärge mitte kunagi ühendage kaht või enamat võlli pikendamise lisaseadist. Muidu võib kontrolli kaotamine põhjustada raskeid vigastusi.

⚠️ETTEVAATUST: Veenduge enne tööriistal igasuguste tööde tegemist alati, et akukassett oleks eemaldatud.

⚠️ETTEVAATUST: Ärge puudutage saeketti paljaste kätega. Kandke saeketi käsitlemisel alati kaitsekindaid.

Moodulite kokkupanek

⚠ETTEVAATUST: Saepeamooduli, keskmise pikenduslati ja käepidememooduli kokkupanekul asetage moodulid maha. Kui moodul pannakse kokku püstiasendis, võib see ümber kukkuda ning vastu läheduses olevaid esemeid või inimesi minna, põhjustades õnnetusi või vigastusi.

⚠ETTEVAATUST: Veenduge alati, et muhv oleks täielikult peale keeratud. Kui muhvi ei keerata täielikult peale, võivad koostud lahti tulla ning kehavigastusi põhjustada.

► **Joon.5:** 1. Saepeamoodul 2. Keskmine pikenduslati 3. Käepidememoodul

1. Joondage moodulitel olevad kolmnurgasümbolid ja sisestage need üksteise sisse.

Keel läheb soone sisse.

► **Joon.6:** 1. Kolmnurgasümbol 2. Keel 3. Soon

2. Lükake muhv keermele ja keerake päripäeva, kuni muhv jääb paigale.

Keermelõpp peab olema täielikult muhviga kaetud, nagu joonisel on näidatud.

► **Joon.7:** 1. Muhv

Tööriista lühendamine

Tööriista lühendamiseks ühendage saepeamoodul ja käepidememoodul vahetult, ilma keskmise pikenduslatita, nagu joonisel on näidatud.

► **Joon.8:** 1. Saepeamoodul 2. Käepidememoodul

Saeketi eemaldamine või paigaldamine

⚠ETTEVAATUST: Pärast töötamist on saekett ja juhtlatti endiselt kuumad. Enne mis tahes tööde teostamist tööriistal laske nendel piisavalt maha jahtuda.

⚠ETTEVAATUST: Paigaldage ja eemaldage saekett alati puhtas kohas, kus ei ole saepuru ega midagi muud sarnast.

Saeketi eemaldamine

Saeketi eemaldamiseks toimige järgmiselt.

1. Tõmmake hoob üles.

► **Joon.9:** 1. Hoob

2. Keerake hooba vastupäeva kuni ketiratta kate maha tuleb.

► **Joon.10:** 1. Hoob 2. Ketiratta kate

3. Eemaldage ketiratta kate ning seejärel eemaldage saekett ja juhtlatti tööriista kerelt.

Saeketi paigaldamine

Saeketi paigaldamiseks toimige järgmiselt.

1. Tõmmake hoob üles.

► **Joon.11:** 1. Hoob

2. Keerake hooba vastupäeva kuni ketiratta kate maha tuleb.

► **Joon.12:** 1. Hoob 2. Ketiratta kate

3. Eemaldage ketiratta kate.

4. Joondage juhtlatti olev ava tööriista kerel oleva tihvtiga ning seejärel asetage juhtlatti joonisel näidatud viisil.

► **Joon.13:** 1. Juhtlatti 2. Ava 3. Tihvt

5. Tihvti lukustamiseks lükake juhtlatti ketiratta poole.

► **Joon.14:** 1. Juhtlatti 2. Tihvt

6. Eemaldage juhtlatti tööriista kerelt.

7. Kontrollige saeketi suunda. Viige saeketi suund vastavusse tööriista kerel oleva märgistusega.

► **Joon.15:** 1. Märgistus tööriista kerel

8. Asetage saeketi üks ots juhtlatti tippu.

9. Paigaldage saeketi teine ots ketiratta ümber, seejärel ühendage juhtlatti tööriista kerega, joondades juhtlatti olev ava kerel oleva tihvtiga.

► **Joon.16:** 1. Ketiratta

Tihvti vabastamiseks vajutage juhtlatti vastu tööriista keret. Saeketi pingsust reguleeritakse automaatselt.

► **Joon.17:** 1. Saekett 2. Tihvt 3. Ketiratta

10. Pange ketiratta kate nii, et polt ja tööriista kerel olev tihvt puutuvad ketiratta kattel olevaid vastasdetaili.

► **Joon.18:** 1. Ketiratta kate 2. Polt 3. Tihvt

11. Ketiratta kate kinnitamiseks keerake hooba päripäeva ja pingutage tugevalt, seejärel viige hoob algsele asendisse tagasi.

► **Joon.19:** 1. Hoob 2. Ketiratta kate

Veenduge, et saeketil olev veolüli asetseks kindlalt ketirattal ja et saekett asetseks korralikult juhtlatti soones. Veenduge, et saekett ei lödveneks ning et saeketti saaks sujuvalt edasi-tagasi liigutada. Vajaduse korral reguleerige saeketi pingsust, vt saeketi pingsuse reguleerimise jaotist.

Saeketi pingsuse reguleerimine

⚠ETTEVAATUST: Liiga lõtv kett võib latilt maha tulla ja põhjustada vigastuse või õnnetusjuhtumi.

Tundepikkuse kasutamise järel võib saekett lödveneda. Enne kasutamist kontrollige aeg-ajalt saeketi pingsust.

Kui saekett on lõtv, reguleerige saeketi pingsust.

1. Tõmmake hoob üles.

► **Joon.20:** 1. Hoob

2. Ketiratta kate kergeks lödvendamiseks keerake hooba veidi vastupäeva. Keti pingsust reguleeritakse automaatselt.

► **Joon.21:** 1. Hoob 2. Ketiratta kate

3. Ketiratta kate kinnitamiseks keerake hooba päripäeva ja pingutage tugevalt, seejärel viige hoob algsele asendisse tagasi.

► **Joon.22:** 1. Hoob 2. Ketiratta kate

Peanurga reguleerimine

⚠ETTEVAATUST: Peanurga reguleerimiseks paigaldage vigastuste vältimiseks juhtlati kate.

⚠ETTEVAATUST: Olge ettevaatlik, et sõrmed ei jääks pea ja varda vahele.

Pead saab reguleerida 9 nurga alla. Järgige neid samme.

1. Hoidke tööriista joonisel näidatud viisil ning peanurga reguleerimisnupu vajutamise ajal reguleerige pea soovitud nurga alla.

► **Joon.23:** 1. Peanurga reguleerimisnupp 2. Pea

2. Laske peanurga reguleerimisnupp lahti ja veenduge, et peanurga reguleerimisnupp liiguks algasendisse tagasi.

TÄHELEPANU: Kui peanurga reguleerimisnupp ei liigu algasendisse tagasi, liigutage pead kergelt, kuni see kohale klõpsatab.

TÄHELEPANU: Veenduge enne kasutamist, et pea oleks tugevalt kinnitatud.

TÖÖRIISTA KASUTAMINE

Õlitamine

TÄHELEPANU: Esmakordsel ketiõliga täitmisel või täiesti tühjenenud paagi taastäitmisel lisage õli täitekaela alumise ääreni. Vastasel korral võib õliga varustamine olla häiritud.

TÄHELEPANU: Kasutage spetsiaalselt Makita jaoks mõeldud saeketiõli või sellega võrdväärset turul saada olevat õli.

TÄHELEPANU: Ärge kunagi kasutage tolmust või prügist õli ega lenduvat õli.

TÄHELEPANU: Puude kärpimisel kasutage botaanilist õli. Mineraalõli kahjustab puid.

TÄHELEPANU: Veenduge enne lõikamist, et komplekti õlipaagi kork oleks kohale keeratud.

Saeketti õlitatakse tööriista kasutamise ajal automaatselt. Kontrollige perioodiliselt õlipaagis olevat õlikogust.

► **Joon.24:** 1. Õlipaak

Paagi täitmiseks asetage tööriist tasasele pinnale ning seejärel keerake õlipaagi kork lahti ja eemaldage see. Õige õlikogus on 55 cm³. Pärast paagi täitmist veenduge, et õlipaagi kork oleks tugevalt kinni keeratud.

► **Joon.25:** 1. Õlipaagi kork 2. Õlipaak (poolläbipaistev)

Pärast täitmist hoidke tööriist puust eemal. Käivitage tööriist ja oodake, kuni saekett on piisavalt määritud.

► **Joon.26**

Kandevöö kinnitamine

⚠ETTEVAATUST: Kui kasutate tööriista koos seljakoti tüüpi vooluvarustusega, nagu portatiivne akukomplekt, ärge kasutage tööriista komplektis kaasas olevat kandevööd, vaid Makita soovitatud riputusrihma.

Kui kasutate samal ajal tööriista komplektis kaasas olevat kandevööd ja seljakoti tüüpi vooluvarustuse kandevööd, on masina või seljakoti tüüpi vooluvarustuse hädaolukorras eemaldamine raskendatud ning see võib põhjustada õnnetuse või tekitada vigastuse. Soovitatud riputusrihmade kohta küsige Makita volitatud hoolduskeskustest.

⚠ETTEVAATUST: Kasutage alati seadme külge kinnitatud kandevööd. Väsimuse vältimiseks reguleerige kandevööd enne töötamise algust.

⚠ETTEVAATUST: Enne kasutamist veenduge, et kandevöö oleks tööriista riputi külge õigesti kinnitatud.

⚠ETTEVAATUST: Enne tööle hakkamist veenduge, et kandevöö pannal oleks tugevasti kinni.

⚠ETTEVAATUST: Kasutage alati tööriista jaoks mõeldud kandevööd. Ärge kasutage muid kandevöösid.

1. Kandke kandevööd vasakul õlal.

► **Joon.27**

2. Kinnitage kandevöö haak tööriista riputi külge.

► **Joon.28:** 1. Haak 2. Riputi

3. Reguleerige kandevöö mugavasse tööasendisse.

► **Joon.29**

Kandevöö on kiirvabastusmehhanism.

Tööriista vabastamiseks kandevööst pigistage pandla külgi.

► **Joon.30:** 1. Pannal

Tööriistaga töötamine

⚠ETTEVAATUST: Hoidke mootori töötamise ajal kõik oma kehaosad saeketist eemal.

⚠ETTEVAATUST: Hoidke tööriistast mootori töötamise ajal kahe käega tugevasti kinni.

⚠ETTEVAATUST: Ärge küünitage liiga kaugele ette. Hoidke kogu aeg jalad kindlalt maas ning hoidke tasakaalu.

⚠ETTEVAATUST: Olge okstest läbilõikamise ajal ettevaatlik, et mitte kaotada tööriista pea raskuse tõttu tasakaalu.

⚠ETTEVAATUST: Tehke alati põgenemistee juhuks, kui oks kukub kasutaja poole.

⚠ETTEVAATUST: Ärge kasutage lõikamiseks kunagi juhtlati otsa. Muidu võib toimuda ohtlik tagasilöökk, mis võib põhjustada kehavigastusi.

TÄHELEPANU: Ärge visake tööriista ega laske sel maha kukkuda.

TÄHELEPANU: Ärge katke kinni tööriista ventilatsiooniasiad.

TÄHELEPANU: Ärge rakendage tööriista kasutamisel jõudu. See võib tööriista kahjustada.

Seiske stabiilsel pinnal ja hoidke tööriista okstest eemal nii, et tööriist oleks horisontaalse maapinna suhtes 60° või väiksema nurga all.

► **Joon.31:** 1. 60° või väiksem

Käivitage tööriist ja vajutage saekett õrnalt vastu oksa.

Pikkade okste lõikamisel jaotage oks osadeks ja lõigake oksa otsast, et kontrollida lõigatud okste kukkumissendit. Olge langevate okste suhtes tähelepanelik, sest need võivad maaga kokkupuutel pörkuda kasutaja poole.

► **Joon.32**

Jämedate okste lõikamisel tehke esmalt altpoolt madal sisselõige ja seejärel pealtpoolt lõplik lõige.

► **Joon.33**

Kui proovite jämedaid oksa altpoolt ära lõigata, võib oks sulguda ja pigistada saeketi lõikeavasse kinni. Kui proovite jämedaid oksa ilma altpoolt madalat sisselõiget tegemata pealtpoolt ära lõigata, võib oks lõheneda.

► **Joon.34**

Tööriista kandmine

Enne tööriista kandmist eemaldage tööriistast alati akukassetid ja kinnitage seejärel juhtlati kate. Katke akukassetit samuti akukattega.

Tööriista kandmisel ärge puudutage lüliti päästikut.

► **Joon.35:** 1. Juhtlati kate 2. Akukate

Tööriista kasutamine portatiivse akukomplektiga

Lisatarvik

Tööriista kasutamisel portatiivse akukomplektiga tuleb kasutada rippusrihma.

Rippusrihma kinnitamine

1. Kinnitage rippusrihma haagid joonisel näidatud viisil kandevoõ või vöörhima rõngaste külge. Valige kasutamiseviisiga sobiv rihmatüüp ja ühendusviis.

► **Joon.36:** 1. Rõngas 2. Haak

► **Joon.37:** 1. Rõngas 2. Haak

2. Kinnitage haak tööriistale.

► **Joon.38:** 1. Haak

Tööriista eemaldamine

Tööriista maha asetamisel tehke rippusrihma pannal ühe käega lahti, hoides samal ajal teise käega tööriistast kinni.

► **Joon.39:** 1. Pannal

MÄRKUS: Rihmast olenevalt ei pruugi pannalt olla.

Kui peate tööriista kiirelt vabastama, järgige allpool toodud juhiseid.

1. Vajutage pandla avamiseks vöörhima pandlal asuvatele hoobadele.

► **Joon.40:** 1. Pannal 2. Hoob

2. Tööriista ja seadme vabastamiseks võtke kandevoõ seljast ära.

► **Joon.41:** 1. Kandevoõ

HOOLDUS

⚠ETTEVAATUST: Enne kontroll- või hooldustoimingute tegemist kandke alati hoolt selle eest, et tööriist oleks välja lülitatud ja akukassetit korpuse küljest eemaldatud.

⚠ETTEVAATUST: Tööriista kontrollimisel ja hooldustööde tegemisel kandke alati kindaid.

TÄHELEPANU: Ärge kunagi kasutage bensiini, vedeldit, alkoholi ega midagi muud sarnast. Selle tulemuseks võib olla luitumine, deformatsioon või pragunemine.

Toote OHUTUSE ja TÖÖKINDLUSE tagamiseks tuleb vajalikud remonttööd ning muud hooldus- ja reguleerimistööd lasta teha Makita volitatud teeninduskeskustes või tehase teeninduskeskustes. Alati tuleb kasutada Makita varuosi.

Saeketi teritamine

Teritage saeketti siis, kui:

- niiske puidu saagimisel tekib jahune saepuru;
- kett läbibast puitu raskustega isegi tugeva surve avaldamisel;
- lõikeserval on silmnähtavad vigastused;
- saag kisub puidus paremale või vasakule (seda põhjustab saeketi ebaühtlane teritus või ainult ühe külje vigastus).

Teritage saeketti sagedasti, kuid ainult natukese haaval. Rutiinsel teritamisel piisab enamasti kahest või kolmest viiltõmbest. Pärast saeketi mitmekordset teritamist laske seda teritada meie volitatud teeninduskeskuses.

Teritamiskriteeriumid

⚠HOIATUS: Lõikeserva ja sügavuspiiraja vaheline liiga suur vahemaa suurendab tagasilöögi ohtu.

► **Joon.42:** 1. Lõikuri pikkus 2. Lõikeserva ja sügavuspiiraja vahemaa 3. Minimaalne lõikehamba pikkus (3 mm)

- Kõik lõikurid peavad olema võrdse pikkusega. Erineva pikkusega lõikurid takistavad sae sujuvat jooksu ning võivad põhjustada saeketi purunemise.
- Ärge teritage ketti, kui lõikehamba pikkus on 3 mm või lühem. Kett tuleb asendada uuega.
- Laastu paksus määratakse sügavuse piiraja (ümar nina) ja lõikeserva vahelise kauguse alusel.

- Parim lõiketulemus saadakse, kui vahemaa lõikeserva ja sügavuse piiraja vahel on järgmine.
 - Saetera 80TXL: 0,65 mm
- **Joon.43**
- Teritamisnurk 30° peab olema kõikidel lõikuritel ühesugune. Erinevad lõikurinurgad raskendavad sae jooksu ja muudavad selle ebaühtlaseks, kiirendavad kulumist ja viivad keti purunemiseni.
- Kasutage sobivat ümarviili, et tagada hammaste suhtes õige teritamisnurk.
 - Saetera 80TXL: 55°

Viil ja viiljuhik

- Kasutage keti teritamiseks spetsiaalselt saekettidele mõeldud ümarviili (lisatarvik). Tavalised ümarviilid ei sobi.
- Eri saekettide puhul kasutatavate ümarviilide diameetrid on järgmised.
 - Saetera 80TXL: 4,0 mm
- Viil peaks puutama vastu lõikurit ainult tõuke ajal. Tagasitõmbe ajaks tõstke viil lõikuri pealt üles.
- Teritage esmalt kõige lühemat lõikurit. Seejärel määrab lühima lõikuri pikkus saeketi kõigi ülejäänud lõikurite pikkuse.
- Viilige joonisel näidatud moel.
- **Joon.44:** 1. Viil 2. Saekett

- Viili käsitsemine on hõlpsam, kui kasutada viilihoidikut (lisatarvik). Viilihoidikul on markeeringud õige teritamisnurga 30° leidmiseks (seadke markeeringud saeketiga paralleelselt ühele joonele) ja läbistussügavuse piiri tähised (kuni 4/5 viili läbimõõdust).
- **Joon.45:** 1. Viilihoidik
- Pärast keti teritamist kontrollige ketipiiraja (lisatarvik) abil sügavuse piiraja kõrgust.
- **Joon.46**
- Eemaldage spetsiaalse lameviiliga (lisatarvik) kõik väljaulatuvad osad, ükskõik kui väikesed need ka poleks.
- Ümardage uuesti sügavuse piiraja esiosa.

Juhtlati puhastamine

Juhtlati soonde kogunevad laastud ja saepuru. Need võivad lati soone ummistada ja takistada õli liikumist. Saeketi teritamisel või vahetamisel eemaldage alati ka laastud ja saepuru.

► **Joon.47**

Ketiratta katte puhastamine

Ketiratta katte sisse kogunevad saepuru ja laastud. Eemaldage ketiratta kate ja saekett tööriistalt ja puhastage seejärel saepurust ja laastudest.

► **Joon.48**

Õli väljalaskeava puhastamine

Töö käigus võib tühjendusavasse koguneda tolmu ja väikesed osakesed. Selline tolm ja väikesed osakesed võivad häirida õli voolu ja põhjustada terve saeketi ebapiisavat õlitatust. Kui juhtlati tipu õliga varustus häirub, siis puhastage õli väljalaskeava järgmisel moel.

1. Eemaldage tööriistalt ketiratta kate ja saekett.
2. Eemaldage tolm või väikesed osakesed lapikruvikeeraja vms abil.
- **Joon.49:** 1. Lapikruvikeeraja 2. Õli väljalaskeava
3. Pange akukassett tööriista sisse. Tõmmake lüliti päästikut, et lasta korjunud tolmul ja osakestel õli tühjendusava kaudu koos väljalastava õliga välja voolata.
4. Eemaldage akukassett tööriista küljest. Paigaldage ketiratta kate ja saekett tööriistale tagasi.

Ketiratta vahetamine

⚠ETTEVAATUST: Kulunud ketiratas kahjustab uut saeketti. Sellisel juhul laske ketiratas välja vahetada.

Enne uue saeketi paigaldamist kontrollige ketiratta seisundit. Kui ketiratas on kulunud või kahjustunud, küsige Makita volitatud teeninduskeskusest uus.

► **Joon.50:** 1. Ketiratas 2. Kuluvad piirkonnad

Masina hoiundamine

1. Puhastage tööriist enne hoiulepanekut. Eemaldage tööriistast pärast ketiratta katte eemaldamist kõik laastud ja saepuru.
2. Pärast tööriista puhastamist laske sel saeketi ja juhtlati õlitamiseks tühjalt töötada.
3. Katke juhtlatt juhtlati kattega.
4. Tühjendage õlipaak.

Regulaarne hooldus

Pika tööea tagamiseks, kahjustuste vältimiseks ja ohutusfunktsioonide töötamiseks tuleb teha regulaarselt järgmisi hooldustöid. Seadme garantii kehtib üksnes juhul, kui nimetatud töid on tehtud regulaarselt ja nõuetekohaselt. Nõutud hooldustööde tegemata jätmise suurendab õnnetusohut! Tööriista kasutaja ei tohi teha hooldustöid, mida pole kasutusjuhendis ette nähtud. Kõiki selliseid töid peab tegema meie volitatud teeninduskeskus.

Kontrollitav objekt / töötamisaeag		Enne kasutamist	Iga päev	Iga nädal	Iga 3 kuu tagant	Iga aasta	Enne hoiule panemist
Terve tööriist	Ülevaatamine.	✓	-	-	-	-	-
	Puhastamine.	-	✓	-	-	-	-
	Kontrollige volitatud teeninduskeskuses.	-	-	-	-	✓	✓
Saekett	Ülevaatamine.	✓	-	-	-	-	-
	Teritamine vastavalt vajadusele.	-	-	-	-	-	✓
Juhtlatt	Ülevaatamine.	✓	✓	-	-	-	-
	Eemaldage tööriistast.	-	-	-	-	-	✓
Keti õlitamine	Kontrollige õli etteandemäära.	✓	-	-	-	-	-
Lüliti päästik	Ülevaatamine.	✓	-	-	-	-	-
Lukust avamise nupp	Ülevaatamine.	✓	-	-	-	-	-
Õlipaagi kork	Kontrollige pingsust.	✓	-	-	-	-	-
Kruvid ja mutrid	Ülevaatamine.	-	-	✓	-	-	-

VEAOTSING

Enne remonditöökotta pöördumist kontrollige niidukit ise. Ärge üritage niidukit lahti võtta, kui leiате probleemi, mida kasutusjuhendis ei kirjeldata. Selle asemel pöörduge Makita volitatud teeninduskeskusesse, kus kasutatakse remontimisel alati Makita tagavaraosi.

Tõrge	Põhjus	Tegevus
Tööriist ei käivitu.	Akukassett ei ole paigaldatud.	Paigaldage laetud akukassett.
	Akuga seotud probleem (madal pingeline).	Laadige akukassett. Kui laadimine ei anna tulemust, vahetage akukassett välja.
Mootor seiskub pärast lühiajalist töötamist.	Aku laetustase on madal.	Laadige akukassett. Kui laadimine ei anna tulemust, vahetage akukassett välja.
Ketil pole õli.	Õlipaak on tühi.	Täitke õlipaak.
	Õli juhtsoon on määrdunud.	Puhastage soon.
Tööriist ei saavuta maksimaalset pöörlemiskiirust.	Akukassett ei ole õigesti paigaldatud.	Paigaldage akukassett juhendis kirjeldatud viisil.
	Aku võimsus langeb.	Laadige akukassett. Kui laadimine ei anna tulemust, vahetage akukassett välja.
Ebatavaline vibratsioon: seisake tööriist viivitamatult!	Veosüsteem ei tööta korralikult.	Pöörduge remontimiseks teie piirkonna volitatud teeninduskeskusesse.
	Juhtlatt või saekett on lõtv.	Reguleerige juhtlatti ja saeketi pingsust.
Saeketti ei saa paigaldada.	Tööriista rike.	Pöörduge remontimiseks teie piirkonna volitatud teeninduskeskusesse.
	Saeketi ja ketiratta kombinatsioon ei ole õige.	Kasutage õiget saeketi ja ketiratta kombinatsiooni vastavalt tehniliste andmete peatükile.

VALIKULISED TARVIKUD

⚠ETTEVAATUST: Neid tarvikuid ja lisaseadiseid on soovitatav kasutada koos Makita tööriistaga, mille kasutamist selles kasutusjuhendis kirjeldatakse. Muude tarvikute ja lisaseadiste kasutamisega kaasneb vigastada saamise oht. Kasutage tarvikuid ja lisaseadiseid ainult otstarbekohaselt.

Saate vajaduse korral kohalikust Makita teeninduskeskusest lisateavet nende tarvikute kohta.

- Saekett
- Juhtlatt
- Juhtlati kate
- Viil
- Õlarihm
- Ketiõli
- Ketiratas
- Makita algupärane aku ja laadija

⚠HOIATUS: Kui ostate juhtlati, mille pikkus erineb standardsest juhtlatist, ostke sellega koos ka sobiv juhtlati kate. See peab tööriista juhtlatiga sobima ja selle täielikult katma.

MÄRKUS: Mõned nimekirjas loetletud tarvikud võivad kuuluda standardvarustusse ning need on lisatud tööriista pakendisse. Need võivad riigiti erineda.

ТЕХНИЧЕСКИЕ ХАРАКТЕРИСТИКИ

Модель:		DUA200
Общая длина (без стержня направляющей и насадки)		1620 мм / 2520 мм
Номинальное напряжение		18 В пост. тока
Масса нетто	*1	3,2 кг
	*2	3,2 - 3,5 кг
Длина стандартной пильной шины		200 мм
Рекомендованная длина пильной шины	с пильной цепью типа 80TXL	200 мм
Подходящий тип пильной цепи (см. таблицу ниже)		80TXL
Стандартная звездочка	Количество зубьев	7
	Шаг	0,325 дюйма
Скорость цепи		6,7 м/с (402 м/мин)
Объем масляного бачка для цепи		55 см ³

- Благодаря нашей постоянно действующей программе исследований и разработок указанные здесь технические характеристики могут быть изменены без предварительного уведомления.
- Технические характеристики могут различаться в зависимости от страны.

*1: Масса с самым крупным блоком аккумулятора, пустым масляным баком и без пильной шины, цепи, плечевого ремня и насадки согласно EN ISO11680-1.

*2: Наименьшая и наибольшая совокупная масса согласно процедуре ЕРТА 01/2014. Масса может отличаться в зависимости от дополнительного оборудования; блок аккумулятора также считается дополнительным оборудованием.

Подходящий блок аккумулятора и зарядное устройство

Блок аккумулятора	BL1815N / BL1820B / BL1830B / BL1840B / BL1850B / BL1860B
Зарядное устройство	DC18RC / DC18RD / DC18RE / DC18SD / DC18SE / DC18SF / DC18SH / DC18WC

- В зависимости от региона проживания некоторые блоки аккумуляторов и зарядные устройства, перечисленные выше, могут быть недоступны.

⚠ОСТОРОЖНО: Используйте только перечисленные выше блоки аккумуляторов и зарядные устройства. Использование других блоков аккумуляторов и зарядных устройств может привести к травме и/или пожару.

Рекомендованный источник электропитания с проводным подключением

Портативный блок питания	PDC01
--------------------------	-------

- В некоторых регионах определенные модели перечисленных выше источников электропитания с проводным подключением могут быть недоступны.
- Перед началом использования источника электропитания с проводным подключением изучите инструкцию и предупреждающие надписи на нем.

Сочетание пильной цепи, стержня направляющей и звездочки

Тип пильной цепи		80TXL
Количество приводных звеньев		38
Пильная шина	Длина пильной шины	200 мм
	Длина распила	185 мм
	Шаг	0,325 дюйма
	Выступ-ограничитель	1,1 мм
	Тип	Шина с концевой звездочкой
Звездочка	Количество зубьев	7
	Шаг	0,325 дюйма

⚠ ОСТОРОЖНО: Используйте подходящее сочетание пильной шины и пильной цепи. Несоблюдение этой рекомендации может привести к травме.

СИМВОЛЫ

Ниже приведены символы, которые могут использоваться для обозначения оборудования. Перед использованием убедитесь в том, что вы понимаете их значение.

	Бережь от влаги.
	Прочитайте руководство по эксплуатации.
	Надевайте каску, защитные очки и используйте средства защиты слуха.
	Использовать защитные перчатки.
	Обувайте прочные ботинки с нескользящими подошвами. Рекомендуется использовать защитную обувь со стальными подносками.
	Остерегайтесь линий электропередач – существует риск поражения электрическим током.
	Соблюдайте дистанцию не менее 15 м.
	Максимально допустимая длина среза
	Направление движения цепи
	Масляный бак для цепи



Только для стран ЕС
В связи с наличием в оборудовании опасных компонентов отходы электрического и электронного оборудования, аккумуляторы и батареи могут оказывать негативное влияние на окружающую среду и здоровье человека. Не выбрасывайте электрические и электронные устройства или батареи вместе с бытовыми отходами!
В соответствии с директивой ЕС по отходам электрического и электронного оборудования, по аккумуляторам, батареям и отходам аккумуляторов и батарей, а также в соответствии с ее адаптацией к национальному законодательству, отходы электрического оборудования, батареи и аккумуляторы следует хранить отдельно и доставлять на пункт раздельного сбора коммунальных отходов, работающий с соблюдением правил охраны окружающей среды. Это обозначено символом в виде перечеркнутого мусорного контейнера на колесах, нанесенным на оборудование.



Гарантированный уровень звуковой мощности в соответствии с Директивой ЕС по шумам вне помещений.



Уровень звуковой мощности в соответствии с Регламентом Австралии (Новый Южный Уэльс) по контролю за шумом

Назначение

Инструмент предназначен для обрезания веток и сучьев.

Шум

Типичный уровень взвешенного звукового давления (A), измеренный в соответствии с ISO22868 (ISO11680-1):

Уровень звукового давления (L_{pA}): 79 дБ (A)

Уровень звуковой мощности (L_{WA}): 87 дБ (A)

Погрешность (K): 3 дБ (A)

ПРИМЕЧАНИЕ: Заявленное значение распространения шума измерено в соответствии со стандартной методикой испытаний и может быть использовано для сравнения инструментов.

ПРИМЕЧАНИЕ: Заявленное значение распространения шума можно также использовать для предварительных оценок воздействия.

⚠ОСТОРОЖНО: Используйте средства защиты слуха.

⚠ОСТОРОЖНО: Распространение шума во время фактического использования электроинструмента может отличаться от заявленного значения в зависимости от способа применения инструмента и в особенности от типа обрабатываемой детали.

⚠ОСТОРОЖНО: Обязательно определите меры безопасности для защиты оператора, основанные на оценке воздействия в реальных условиях использования (с учетом всех этапов рабочего цикла, таких как выключение инструмента, работа без нагрузки и включение).

Вибрация

Левая рукоятка (передняя ручка)		Правая рукоятка (задняя ручка)		Применимый стандарт
ah (м/с ²)	Погрешность, К (м/с ²)	ah (м/с ²)	Погрешность, К (м/с ²)	
не более 2,5	1,5	не более 2,5	1,5	ISO22867(ISO11680-1)

ПРИМЕЧАНИЕ: Заявленное общее значение распространения вибрации измерено в соответствии со стандартной методикой испытаний и может быть использовано для сравнения инструментов.

ПРИМЕЧАНИЕ: Заявленное общее значение распространения вибрации можно также использовать для предварительных оценок воздействия.

⚠ОСТОРОЖНО: Распространение вибрации во время фактического использования электроинструмента может отличаться от заявленного значения в зависимости от способа применения инструмента и в особенности от типа обрабатываемой детали.

⚠ОСТОРОЖНО: Обязательно определите меры безопасности для защиты оператора, основанные на оценке воздействия в реальных условиях использования (с учетом всех этапов рабочего цикла, таких как выключение инструмента, работа без нагрузки и включение).

Декларации о соответствии

Только для европейских стран

Декларации о соответствии включены в Приложение А к настоящему руководству по эксплуатации.

МЕРЫ БЕЗОПАСНОСТИ

Общие рекомендации по технике безопасности для электроинструментов

⚠ОСТОРОЖНО Ознакомьтесь со всеми инструкциями по технике безопасности, указаниями, иллюстрациями и техническими характеристиками, прилагаемыми к данному электроинструменту. Несоблюдение всех приведенных далее инструкций может привести к поражению электрическим током, возгоранию и/или тяжелым травмам.

Сохраните брошюру с инструкциями и рекомендациями для дальнейшего использования.

Термин "электроинструмент" в предупреждениях относится ко всему инструменту, работающему от сети (с проводом) или на аккумуляторах (без провода).

Правила техники безопасности при использовании высотореза аккумулятора

Общие меры предосторожности

1. Перед началом работы прочтите это руководство по эксплуатации для ознакомления с порядком работы с инструментом.
2. Не передавайте инструмент во временное пользование лицам с недостаточным опытом или знаниями в отношении работы с инструментом.
3. Обязательно передавайте вместе с инструментом и руководство по эксплуатации.
4. Запрещено использование инструмента детьми и лицами, не достигшими 18 лет. Следите, чтобы они не приближались к инструменту.

5. При обращении с инструментом будьте предельно осторожны и внимательны.
6. Запрещено использовать инструмент в состоянии алкогольного или наркотического опьянения, в случае усталости или болезни.
7. Запрещено вносить изменения в конструкцию инструмента.
8. Запрещено использовать инструмент в неблагоприятных погодных условиях, особенно если существует риск удара молнией. Это снижает риск удара молнией.
9. Использование инструмента может быть ограничено государственными нормами. Соблюдайте требования норм, касающихся эксплуатации инструмента в вашей стране.

Индивидуальные средства защиты

1. Для защиты от разлетающихся частиц и падающих предметов надевайте шлем, защитные очки и перчатки.
2. Используйте средства защиты органов слуха (например, наушники) во избежание потери слуха.
3. Для обеспечения безопасности работы надевайте соответствующую одежду и обувь, например, рабочий комбинезон и прочные ботинки с нескользящей подошвой. Не надевайте свободную одежду или украшения. Свободная одежда, украшения или длинные волосы могут попасть в движущиеся детали устройства.
4. При эксплуатации пильной цепи или регулировке натяжения цепи надевайте защитные перчатки. Пильная цепь может сильно поранить незащищенные руки.

Безопасность на рабочем месте

1. Держите инструмент на расстоянии не менее 15 м от электрических проводов и кабелей связи (включая ветки, которые их касаются). Соприкосновение инструмента с электрическими проводами под высоким напряжением или приближение к ним может привести к серьезной травме или летальному исходу. Прежде чем приступить к обрезке, осмотрите электрические провода и изгороди в рабочей зоне.
2. Используйте инструмент только в условиях хорошей видимости и естественного дневного освещения. Не используйте инструмент в темное время суток или в условиях тумана.
3. Во время работы с инструментом не стойте на неустойчивой или скользкой поверхности либо крутых склонах. В холодное время года учитывайте наличие льда и снега и обеспечьте устойчивое положение.
4. Люди и животные не должны находиться в радиусе 15 м от работающего инструмента. Остановите инструмент, как только увидите, что кто-то подошел ближе.
5. При работе с двумя или более людьми соблюдайте дистанцию не менее 15 м или больше друг от друга и назначьте руководителя.

6. Перед началом работ убедитесь, что в месте проведения работ отсутствуют проволочные изгороди, стены или другие твердые предметы. Они могут повредить пильную цепь.

Подготовка

1. Перед сборкой или регулировкой выключите инструмент и извлеките блок аккумулятора.
2. Перед началом эксплуатации пильной цепи или регулировке натяжения цепи надевайте защитные перчатки.
3. Перед запуском осмотрите инструмент на предмет повреждений, ослабленных винтов / гаек или неправильной сборки. Заточите затупившуюся пильную цепь. Если пильная цепь изогнута или повреждена, замените ее. Убедитесь в легкости нажатия всех рычагов управления и переключателей. Очистите и протрите насухо рукоятки.
4. Запрещено запускать инструмент, если он поврежден или не полностью собран. Несоблюдение этой рекомендации может привести к тяжелой травме.
5. Отрегулируйте плечевой ремень в соответствии с ростом и комплекцией оператора.
6. Правильно отрегулируйте натяжение цепи. Долейте масло для цепи, если необходимо.

Включение инструмента

1. Перед включением инструмента наденьте индивидуальные средства защиты.
2. Перед включением инструмента убедитесь в отсутствии людей или животных в месте выполнения работ.
3. При установке блока аккумуляторов держите пильную цепь и пильную шину на расстоянии от тела и других предметов, в том числе от земли. При запуске возможно внезапное движение пильной цепи, что может стать причиной тяжелых травм или повреждений пильной цепи и/или имущества.
4. Установите инструмент на прочное основание. Сохраняйте равновесие и занимайте устойчивое положение.

Эксплуатация

1. При возникновении экстренной ситуации немедленно выключите инструмент.
2. Если в процессе работы вы заметили необычный шум или вибрацию, выключите инструмент. Не используйте инструмент, пока причина не будет определена и устранена.
3. Пильная цепь продолжает движение в течение короткого периода времени после выключения инструмента. Не спешите прикасаться к пильной цепи.
4. Используйте плечевой ремень в процессе работы. Крепко удерживайте инструмент справа от себя.
5. Удерживайте переднюю рукоятку левой рукой, а заднюю – правой, независимо от того, правша вы или левша. Крепко обхватите рукоятки пальцами.

6. Держите инструмент только за специальные изолированные поверхности, поскольку при выполнении работ существует риск контакта пильной цепи со скрытой электропроводкой. В случае контакта пильной цепи с проводом под напряжением это напряжение может передаваться на открытые металлические части удлиненного секатора, что может стать причиной поражения оператора электрическим током.
 7. Запрещено работать с инструментом, удерживая его одной рукой. Потеря контроля может стать причиной серьезной травмы или летального исхода. Чтобы снизить риск травмы, держите руки и ноги на максимально возможном расстоянии от пильной цепи.
 8. Во время работы с устройством не тянитесь. Всегда сохраняйте устойчивое положение и равновесие. Чтобы не споткнуться, учитывайте скрытые препятствия, такие как пни, корни и канавы. Уберите упавшие ветки и другие объекты.
 9. Во избежание выхода инструмента из-под контроля запрещено работать на лестнице или на дереве.
 10. Если инструмент получил сильный удар или упал, перед продолжением работы проверьте его состояние. При возникновении сомнений или обнаружении повреждения обратитесь в авторизованный сервисный центр Makita для осмотра инструмента и ремонта.
 11. Не касайтесь головки инструмента. Головка инструмента нагревается во время работы.
 12. Если вы устали, прервите работу и отдохните, чтобы не потерять контроль над инструментом. Мы рекомендуем делать перерывы на отдых по 10–20 минут каждый час.
 13. Оставляя инструмент без присмотра даже на короткий период времени, обязательно выключайте его и извлекайте блок аккумулятора. Оставленным без присмотра работающим инструментом может воспользоваться посторонний человек, что может привести к тяжелому несчастному случаю.
 14. При работе с инструментом не поднимайте правую руку выше уровня плеч.
 15. Во время работы не бейте пильной цепью по твердым препятствиям, таким как камни или гвозди. Будьте особенно осторожны при срезании веток вблизи стен, проволочных изгородей или других подобных предметов.
 16. В случае застревания веток в инструменте всегда останавливайте инструмент и извлекайте блок аккумулятора. В противном случае непреднамеренный запуск может привести к тяжелой травме.
 17. В случае засорения пильной цепи всегда выключайте инструмент и извлекайте блок аккумулятора перед очисткой.
 18. Перед срезанием сучьев организуйте зону безопасности за пределами места их падения. Сначала удалите помехи в виде сучьев и веток из рабочей зоны. Перенесите все инструменты и вещи из зоны безопасности в другое безопасное место.
 19. Перед срезанием веток и сучьев определите направление их падения, учитывая состояние веток и сучьев, соседних деревьев, направление ветра и т. п. Обратите все внимание на направление падения и отскока ветки после удара об землю.
 20. Никогда не держите инструмент под углом более 60°. В противном случае падающие предметы могут попасть в оператора и причинить ему тяжелые травмы. Никогда не стойте под отрезаемым сучком.
 21. Обратите внимание на сломанные или изогнутые ветки. Они могут неожиданно отскочить во время отрезания, причинив травму.
 22. Перед срезанием сучьев удалите ветки и листья вокруг них. В противном случае пильная цепь может зацепиться за них.
 23. Чтобы предотвратить застревание пильной цепи в пропилах, не отпускайте рычаг до момента извлечения пильной цепи из пропила.
 24. В случае застревания пильной цепи в пропилах немедленно остановите инструмент, осторожно потяните за ветку, чтобы расширить пропил и извлеките пильную цепь.
 25. Не допускайте отдачи (вращательной реактивной силы в направлении оператора). Для предотвращения отдачи запрещено использовать конец пильной шины или выполнять проникающий разрез. Всегда контролируйте положение конца пильной шины.
 26. Часто проверяйте натяжение цепи. Перед проверкой или регулировкой натяжения цепи отключите инструмент и извлеките блок аккумулятора. Если натяжение недостаточное, натяните цепь.
- ### Вибрация
1. Воздействие сильной вибрации приводит к повреждению сосудов и нервной системы оператора. При этом наблюдаются следующие симптомы в пальцах, кистях рук и запястьях: “Затекание” (онемение), зуд, боль, покалывание или изменение цвета кожи либо кожи. При возникновении указанных симптомов обратитесь к врачу. Для снижения риска “синдрома белых пальцев” во время работы держите руки в тепле и обслуживайте инструмент и дополнительные принадлежности надлежащим образом. В отношении времени работы соблюдайте местные нормативы или рекомендации врача.
- ### Транспортировка
1. Перед транспортировкой инструмента выключите инструмент и извлеките блок аккумулятора. Всегда устанавливайте крышку пильной шины для транспортировки.
 2. Во время транспортировки инструмента переносите его в горизонтальном положении, удерживая за рукоятку.

Техническое обслуживание

1. Обслуживание и ремонт оборудования осуществляется авторизованным сервисным центром с использованием только оригинальных деталей. Ненадлежащий ремонт или техническое обслуживание может сократить срок службы инструмента и повысить риск несчастных случаев.
2. Перед выполнением работ по техническому обслуживанию, ремонту или очистке инструмента всегда выключайте его и извлекайте блок аккумулятора. Дайте инструменту остыть.
3. При работе с пильной цепью обязательно надевайте защитные перчатки.
4. После каждого использования затягивайте все винты и гайки, кроме регулировочных винтов.
5. Следите, чтобы пильная цепь всегда была острой. Если пильная цепь затупилась, а эффективность резания снизилась, обратитесь в авторизованный сервисный центр Makita, чтобы заточить ее или заменить новой.
6. Не пытайтесь выполнить работы по техническому обслуживанию или ремонту, не описанные в этом руководстве по эксплуатации. Для выполнения этих процедур обратитесь в авторизованный сервисный центр Makita.
7. Всегда используйте только фирменные запасные части и аксессуары Makita. Использование запасных частей или аксессуаров сторонних производителей может привести к поломке инструмента, повреждению имущества и/или тяжелой травме.

Хранение

1. Перед помещением инструмента на хранение выполните его полную очистку и техническое обслуживание. Установите крышку пильной шины. Снимите блок аккумулятора. Слейте масло для цепи после того, как инструмент остынет.
2. Инструмент должен храниться в недоступном для детей сухом запираемом месте или на верхних полках.
3. Не ставьте инструмент вертикально (например, прислонив к стене). Несоблюдение этого требования может стать причиной падения инструмента и нанесения травмы.

Электробезопасность

1. Не бросайте аккумуляторные блоки в огонь. Они могут взорваться. Уточните местные правила утилизации аккумуляторов.
2. Не вскрывайте и не разбирайте аккумуляторы. Содержащийся в них электролит очень едкий, вы можете повредить глаза или кожу. При проглатывании это вещество может вызвать отравление.
3. Не заряжайте аккумулятор под дождем или в местах с повышенной влажностью.
4. Не заряжайте аккумулятор на улице.
5. Не касайтесь зарядного устройства, а также штекера и контактов зарядного устройства влажными руками.

6. Избегайте опасных сред. Не используйте инструмент в местах с повышенной влажностью и под дождем. Попавшая в инструмент вода повышает опасность поражения электрическим током.

СОХРАНИТЕ ДАННЫЕ ИНСТРУКЦИИ.

▲ОСТОРОЖНО: НЕ ДОПУСКАЙТЕ, чтобы удобство или опыт эксплуатации данного устройства (полученный от многократного использования) доминировали над строгим соблюдением правил техники безопасности при обращении с этим устройством. **НЕПРАВИЛЬНОЕ ИСПОЛЬЗОВАНИЕ** инструмента или несоблюдение правил техники безопасности, указанных в данном руководстве, может привести к тяжелой травме.

Важные правила техники безопасности для работы с аккумуляторным блоком

1. Перед использованием аккумуляторного блока прочитайте все инструкции и предупреждающие надписи на (1) зарядном устройстве, (2) аккумуляторном блоке и (3) инструменте, работающем от аккумуляторного блока.
2. Не разбирайте блок аккумулятора и не меняйте его конструкцию. Это может привести к пожару, перегреву или взрыву.
3. Если время работы аккумуляторного блока значительно сократилось, немедленно прекратите работу. В противном случае, может возникнуть перегрев блока, что приведет к ожогам и даже к взрыву.
4. В случае попадания электролита в глаза промойте их обильным количеством чистой воды и немедленно обратитесь к врачу. Это может привести к потере зрения.
5. Не замыкайте контакты аккумуляторного блока между собой:
 - (1) Не прикасайтесь к контактам какими-либо токопроводящими предметами.
 - (2) Не храните аккумуляторный блок в контейнере вместе с другими металлическими предметами, такими как гвозди, монеты и т. п.
 - (3) Не допускайте попадания на аккумуляторный блок воды или дождя.Замыкание контактов аккумуляторного блока между собой может привести к возникновению большого тока, перегреву, возможному ожогу и даже поломке блока.
6. Не храните и не используйте инструмент и аккумуляторный блок в местах, где температура может достигать или превышать 50 °C (122 °F).
7. Не бросайте аккумуляторный блок в огонь, даже если он сильно поврежден или полностью вышел из строя. Аккумуляторный

- блок может взорваться под действием огня.
8. **Запрещено вбивать гвозди в блок аккумулятора, резать, ломать, бросать, ронять блок аккумулятора или ударять его твердым предметом.** Это может привести к пожару, перегреву или взрыву.
 9. **Не используйте поврежденный аккумуляторный блок.**
 10. **Входящие в комплект литий-ионные аккумуляторы должны эксплуатироваться в соответствии с требованиями законодательства об опасных товарах.**

При коммерческой транспортировке, например, третьей стороной или экспедитором, необходимо нанести на упаковку специальные предупреждения и маркировку.

В процессе подготовки устройства к отправке обязательно проконсультируйтесь со специалистом по опасным материалам. Также соблюдайте местные требования и нормы. Они могут быть строже.

Закройте или закрепите разомкнутые контакты и упакуйте аккумулятор так, чтобы он не перемещался по упаковке.

11. **Для утилизации блока аккумулятора извлеките его из инструмента и утилизируйте безопасным способом.** Выполняйте требования местного законодательства по утилизации аккумуляторного блока.
12. **Используйте аккумуляторы только с продукцией, указанной Makita.** Установка аккумулятора на продукцию, не соответствующую требованиям, может привести к пожару, перегреву, взрыву или утечке электролита.
13. **Если инструментом не будет пользоваться в течение длительного периода времени, извлеките аккумулятор из инструмента.**
14. **Во время и после использования блок аккумулятора может нагреваться, что может стать причиной ожогов или низкотемпературных ожогов.** Будьте осторожны при обращении с горячим блоком аккумулятора.
15. **Не прикасайтесь к контактам инструмента сразу после использования, поскольку они могут быть достаточно горячими, чтобы вызвать ожоги.**
16. **Не допускайте налипания на контакты, отверстия и пазы блока аккумулятора опилок, пыли или земли.** Это может стать причиной перегрева, возгорания, взрыва или

неисправности инструмента или блока аккумулятора, что может привести к ожогам или травмам.

17. **Если инструмент не рассчитан на использование вблизи высоковольтных линий электропередач, не используйте блок аккумулятора вблизи высоковольтных линий электропередач.** Это может привести к неисправности, поломке инструмента или блока аккумулятора.
18. **Храните аккумулятор в недоступном для детей месте.**

СОХРАНИТЕ ДАННЫЕ ИНСТРУКЦИИ.

▲ВНИМАНИЕ: Используйте только фирменные аккумуляторные батареи Makita.

Использование аккумуляторных батарей, не произведенных Makita, или батарей, которые были подвергнуты модификациям, может привести к взрыву аккумулятора, пожару, травмам и повреждению имущества. Это также автоматически аннулирует гарантию Makita на инструмент и зарядное устройство Makita.

Советы по обеспечению максимального срока службы аккумулятора

1. **Заряжайте блок аккумуляторов перед его полной разрядкой. Обязательно прекратите работу с инструментом и зарядите блок аккумуляторов, если вы заметили снижение мощности инструмента.**
2. **Никогда не подзаряжайте полностью заряженный блок аккумуляторов. Перезарядка сокращает срок службы аккумулятора.**
3. **Заряжайте блок аккумуляторов при комнатной температуре в 10 - 40 °C (50 - 104 °F). Перед зарядкой горячего блока аккумулятора дайте ему остыть.**
4. **Если блок аккумулятора не используется, извлеките его из инструмента или зарядного устройства.**
5. **Зарядите ионно-литиевый аккумуляторный блок, если вы не будете пользоваться инструментом длительное время (более шести месяцев).**

ОПИСАНИЕ ДЕТАЛЕЙ

► Рис.1

1	Модуль рукоятки	2	Центральная удлинительная штанга	3	Модуль пильной головки
4	Крючок для подвешивания	5	Кнопка разблокировки	6	Блок аккумулятора
7	Триггерный переключатель	8	Задняя рукоятка	9	Пильная цепь
10	Пильная шина	11	Крышка маслобака	12	Рычаг
13	Кнопка регулировки угла головки	14	Крышка пильной шины	15	Передняя ручка

ОПИСАНИЕ РАБОТЫ

ВНИМАНИЕ: Перед регулировкой или проверкой функций инструмента обязательно убедитесь, что он выключен и его аккумуляторный блок снят.

Установка или снятие блока аккумулятора

ВНИМАНИЕ: Обязательно выключайте инструмент перед установкой и извлечением аккумуляторного блока.

ВНИМАНИЕ: При установке и извлечении аккумуляторного блока крепко удерживайте инструмент и аккумуляторный блок. Если не соблюдать это требование, они могут выскользнуть из рук, что приведет к повреждению инструмента, аккумуляторного блока и травмированию оператора.

Для установки блока аккумулятора совместите выступ блока аккумулятора с пазом в корпусе и задвиньте его на место. Устанавливайте блок до упора, чтобы он зафиксировался с небольшим щелчком. Если вы видите красный индикатор, как показано на рисунке, он не зафиксирован полностью.

Для снятия аккумуляторного блока нажмите кнопку на лицевой стороне и извлеките блок.

► **Рис.2:** 1. Красный индикатор 2. Кнопка 3. Блок аккумулятора

ВНИМАНИЕ: Обязательно устанавливайте блок аккумулятора до конца, чтобы красный индикатор не был виден. В противном случае блок аккумулятора может выпасть из инструмента и нанести травму вам или другим людям.

ВНИМАНИЕ: Не прилагайте чрезмерных усилий при установке аккумуляторного блока. Если блок не двигается свободно, значит он вставлен неправильно.

Индикация оставшегося заряда аккумулятора

Только для блоков аккумулятора с индикатором

Нажмите кнопку проверки на аккумуляторном блоке для проверки заряда. Индикаторы загорятся на несколько секунд.

► **Рис.3:** 1. Индикаторы 2. Кнопка проверки

Индикаторы			Уровень заряда
Горит	Выкл.	Мигает	
■ ■ ■ ■			от 75 до 100%
■ ■ ■ □			от 50 до 75%
■ ■ □ □			от 25 до 50%
■ □ □ □			от 0 до 25%
▣ □ □ □			Зарядите аккумуляторную батарею.
■ ■ □ □			Возможно, аккумуляторная батарея неисправна.
□ □ ■ ■			

ПРИМЕЧАНИЕ: В зависимости от условий эксплуатации и температуры окружающего воздуха индикация может незначительно отличаться от фактического значения.

ПРИМЕЧАНИЕ: Первая (дальняя левая) индикаторная лампа будет мигать во время работы защитной системы аккумулятора.

Система защиты инструмента/аккумулятора

На инструменте предусмотрена система защиты инструмента/аккумулятора. Она автоматически отключает питание двигателя для продления срока службы инструмента и аккумулятора. Инструмент автоматически остановится во время работы в следующих случаях:

Защита от перегрузки

Если из-за способа эксплуатации аккумулятор потребляет чрезмерное количество тока, инструмент автоматически прекращает работу. В данной ситуации отпустите триггерный переключатель для прекращения работы и избегайте применения инструмента, вызвавшего его перегрузку. Затем отпустите кнопку разблокировки и нажмите триггерный переключатель для повторного запуска.

Защита от перегрева

При перегреве инструмента или аккумулятора инструмент автоматически прекращает работу. В этом случае дайте инструменту и аккумулятору остыть перед повторным запуском инструмента.

ПРИМЕЧАНИЕ: Защита от перегрева с высокой вероятностью сработает в условиях высокой температуры, а инструмент остановится автоматически.

Защита от переразрядки

При недостаточной емкости аккумулятора инструмент автоматически прекращает работу. В этом случае снимите аккумулятор с инструмента и зарядите аккумулятор.

Действие выключателя

▲ОСТОРОЖНО: В целях вашей безопасности данный инструмент оснащен кнопкой разблокировки, предотвращающей непреднамеренный запуск инструмента. **НИ В КОЕМ СЛУЧАЕ НЕ** пользуйтесь инструментом, если он работает при простом нажатии триггерного переключателя без нажатия кнопки разблокировки. **ПРЕКРАТИТЕ** использование инструмента и передайте его в авторизованный сервисный центр для надлежащего ремонта.

▲ОСТОРОЖНО: **НИ В КОЕМ СЛУЧАЕ НЕ** фиксируйте кнопку разблокировки липкой лентой и не препятствуйте реализации ее цели и функции.

▲ВНИМАНИЕ: Перед установкой аккумулятора блока в инструмент обязательно убедитесь, что его триггерный переключатель нормально работает и возвращается в положение "OFF" (ВЫКЛ) при отпускании.

ПРИМЕЧАНИЕ: Не нажимайте сильно на триггерный переключатель, не нажав на кнопку разблокировки. Это может привести к поломке переключателя.

Для предотвращения случайного нажатия триггерного переключателя предусмотрена кнопка разблокировки. Для запуска инструмента отпустите кнопку разблокировки и нажмите триггерный переключатель. Для остановки инструмента отпустите триггерный переключатель.

► **Рис.4:** 1. Триггерный переключатель 2. Кнопка разблокировки

Электронная функция

Для простоты эксплуатации инструмент оснащен электронными функциями.

- Электрический тормоз
Данный инструмент оснащен электрическим тормозом. Если после отпущения триггерного переключателя не происходит быстрой остановки инструмента, отправьте инструмент в сервисный центр Makita для обслуживания.

СБОРКА

▲ОСТОРОЖНО: Ни в коем случае не подсоединяйте два или более дополнительных удлинителей вала. В противном случае возможно получение тяжелой травмы в результате потери контроля.

▲ВНИМАНИЕ: Перед выполнением каких-либо операций с инструментом обязательно снимайте блок аккумулятора.

▲ВНИМАНИЕ: Не прикасайтесь к пильной цепи голыми руками. При работе с пильной цепью обязательно надевайте защитные перчатки.

Сборка модулей

▲ВНИМАНИЕ: При сборке модуля пильной головки, центральной удлинительной штанги и модуля рукоятки располагайте модули на земле. Если модуль собирается в вертикальном положении, он может упасть и столкнуться с окружающими предметами или людьми, что может привести к несчастному случаю или травме.

▲ВНИМАНИЕ: Обязательно убедитесь в том, что муфта завинчена до упора. Незавинчивание муфты до упора может привести к разъединению модулей и причинению травмы.

- **Рис.5:** 1. Модуль пильной головки
2. Центральная удлинительная штанга
3. Модуль рукоятки

1. Совместите треугольные метки на модулях и вставьте их один в другой.

Язычок должен войти в паз.

► **Рис.6:** 1. Треугольная метка 2. Язычок 3. Паз

2. Придвиньте муфту к резьбе и поверните ее по часовой стрелке до упора.

Конец резьбы должен быть полностью покрыт муфтой, как показано на рисунке.

► **Рис.7:** 1. Муфта

Укорачивание инструмента

Для укорачивания инструмента соедините модуль пильной головки непосредственно с модулем рукоятки без центральной удлинительной штанги, как показано на рисунке.

► **Рис.8:** 1. Модуль пильной головки 2. Модуль рукоятки

Снятие или установка пильной цепи

▲ВНИМАНИЕ: После окончания эксплуатации пильная цепь и пильная шина остаются горячими. Дождитесь, пока они остынут, прежде чем выполнять какие-либо работы с инструментом.

▲ВНИМАНИЕ: Процедуру установки и снятия пильной цепи необходимо осуществлять в чистом месте, где нет опилок или других инородных предметов.

Снятие пильной цепи

Чтобы снять пильную цепь, выполните следующие действия:

1. Оттяните рычаг вверх.
▶ **Рис.9:** 1. Рычаг
2. Поворачивайте рычаг против часовой стрелки до тех пор, пока не будет возможно снять звездочку.
▶ **Рис.10:** 1. Рычаг 2. Крышка звездочки
3. Снимите крышку звездочки, затем отсоедините пильную цепь и пильную шину от корпуса инструмента.

Установка пильной цепи

Чтобы установить пильную цепь, выполните следующие действия:

1. Оттяните рычаг вверх.
▶ **Рис.11:** 1. Рычаг
 2. Поворачивайте рычаг против часовой стрелки до тех пор, пока не будет возможно снять звездочку.
▶ **Рис.12:** 1. Рычаг 2. Крышка звездочки
 3. Снимите крышку звездочки.
 4. Совместите отверстие в стержне направляющей со штифтом на корпусе инструмента, а затем расположите стержень направляющей, как показано на рисунке.
▶ **Рис.13:** 1. Стержень направляющей 2. Отверстие 3. Штифт
 5. Сдвиньте стержень направляющей в направлении звездочки для блокировки штифта.
▶ **Рис.14:** 1. Стержень направляющей 2. Штифт
 6. Снимите стержень направляющей с корпуса инструмента.
 7. Проверьте направление движения пильной цепи. Направление пильной цепи должно совпадать с направлением, обозначенным отметкой на корпусе инструмента.
▶ **Рис.15:** 1. Отметка на корпусе инструмента
 8. Поместите один конец пильной цепи на верхнюю часть стержня направляющей.
 9. Оберните другой конец пильной цепи вокруг звездочки, а затем прикрепите стержень направляющей к корпусу инструмента таким образом, чтобы отверстие в стержне направляющей совместилось со штифтом на корпусе.
▶ **Рис.16:** 1. Звездочка
- Надавите на стержень направляющей в сторону корпуса инструмента для высвобождения штифта. Натяжение пильной цепи регулируется автоматически.
- ▶ **Рис.17:** 1. Пильная цепь 2. Штифт 3. Звездочка
10. Расположите крышку звездочки таким образом, чтобы болт и штифт на корпусе инструмента соответствовали своим ответным элементам на крышке звездочки.
▶ **Рис.18:** 1. Крышка звездочки 2. Болт 3. Штифт
 11. Поверните рычаг по часовой стрелке и плотно затяните его для закрепления крышки звездочки, а затем верните его в исходное положение.
▶ **Рис.19:** 1. Рычаг 2. Крышка звездочки

Убедитесь в том, что ведущее звено пильной цепи надежно насажено на звездочку и что пильная цепь должным образом помещена в паз направляющей пильной шины.

Убедитесь в том, что пильная цепь не ослабла и может плавно перемещаться назад и вперед. При необходимости отрегулируйте натяжение пильной цепи согласно инструкциям в разделе регулировки натяжения пильной цепи.

Регулирование натяжения пильной цепи

ВНИМАНИЕ: Слишком слабо натянутая цепь может соскочить с шины и привести к травме или несчастному случаю.

После многочасового использования пильная цепь может ослабнуть. Перед использованием периодически проверяйте натяжение пильной цепи.

В случае ослабления пильной цепи отрегулируйте ее натяжение.

1. Оттяните рычаг вверх.
▶ **Рис.20:** 1. Рычаг
2. Немного поверните рычаг против часовой стрелки, чтобы слегка ослабить крышку звездочки. Натяжение цепи регулируется автоматически.
▶ **Рис.21:** 1. Рычаг 2. Крышка звездочки
3. Поверните рычаг по часовой стрелке и плотно затяните его для закрепления крышки звездочки, а затем верните его в исходное положение.
▶ **Рис.22:** 1. Рычаг 2. Крышка звездочки

Регулировка угла головки

ВНИМАНИЕ: При регулировке угла головки прикрепляйте крышку пильной шины во избежание травм.

ВНИМАНИЕ: Избегайте защемления пальцев между головкой и штоком.

Головку можно располагать под 9 углами.

Выполните следующие действия:

1. Держите инструмент, как показано на рисунке, и, нажимая на кнопку регулировки угла головки, установите головку на нужный угол.
▶ **Рис.23:** 1. Кнопка регулировки угла головки 2. Головка
2. Отпустите кнопку регулировки угла головки и убедитесь в том, что кнопка регулировки угла головки возвращается в свое исходное положение.

ПРИМЕЧАНИЕ: Если кнопка регулировки угла головки не возвращается в свое исходное положение, немного сместите головку, пока она не зафиксируется на своем месте с щелчком.

ПРИМЕЧАНИЕ: Перед началом использования убедитесь в том, что головка надежно закреплена.

ЭКСПЛУАТАЦИЯ

Смазка

ПРИМЕЧАНИЕ: При первой заливке масла или при его добавлении после полного опорожнения емкости заливайте масло до нижнего края заливной горловины. В противном случае, подача масла может быть нарушена.

ПРИМЕЧАНИЕ: Смазывайте пыльные цепи только специальным маслом для цепных пил Makita или аналогичным ему.

ПРИМЕЧАНИЕ: Запрещается использовать загрязненное пылью и прочими частицами масло или летучую смазку.

ПРИМЕЧАНИЕ: При обрезке деревьев используйте масло растительного происхождения. При использовании минерального масла существует вероятность повреждения деревьев.

ПРИМЕЧАНИЕ: Прежде чем приступить к резке, убедитесь, что крышка масляного бака завинчена.

Смазка пыльной цепи осуществляется автоматически во время работы. Время от времени проверяйте, сколько масла осталось в масляном баке.

► **Рис.24:** 1. Масляный бак

Для дозаправки бачка поместите инструмент на ровную поверхность, затем снимите масляный бачок, повернув его.

Нужное количество масла составляет 55 см³. После дозаправки бачка проверьте надежность затяжки крышки масляного бачка.

► **Рис.25:** 1. Крышка масляного бачка 2. Масляный бачок (полупрозрачный)

После дозаправки не подносите инструмент близко к дереву. Включите инструмент и дождитесь, пока пыльная цепь смажется в достаточной мере.

► **Рис.26**

Пристегивание плечевого ремня

⚠ВНИМАНИЕ: При использовании инструмента совместно с ранцевым блоком питания, например с портативным блоком питания, не используйте плечевой ремень, идущий в комплекте с инструментом, а используйте ремешок для подвешивания, рекомендованный компанией Makita.

Если одновременно надеть плечевой ремень, идущий в комплекте с инструментом, и плечевой ремень ранцевого блока питания, то в чрезвычайной ситуации снять инструмент или ранцевый блок питания будет затруднительно, что может привести к несчастному случаю или травме. За консультацией по рекомендуемому ремешку для подвешивания обратитесь в авторизованный сервисный центр Makita.

⚠ВНИМАНИЕ: Всегда используйте закреплённый плечевой ремень, прикрепленный к инструменту. Чтобы снизить усталость, всегда регулируйте плечевой ремень в соответствии с ростом и комплекцией оператора, прежде чем приступить к работе.

⚠ВНИМАНИЕ: Перед началом работы убедитесь в том, что плечевой ремень правильно прикреплен к крючку для подвешивания на инструменте.

⚠ВНИМАНИЕ: Перед началом работы убедитесь в том, что замок плечевого ремня надежно закреплён.

⚠ВНИМАНИЕ: Всегда используйте плечевой ремень, предназначенный для этого инструмента. Не используйте другие плечевые ремни.

1. Наденьте плечевой ремень на левое плечо.

► **Рис.27**

2. Прикрепите крючок на плечевом ремне к петле для подвешивания инструмента.

► **Рис.28:** 1. Крючок 2. Петля для подвешивания

3. Отрегулируйте плечевой ремень до достижения удобного рабочего положения.

► **Рис.29**

Конструкция плечевого ремня обеспечивает его быстрое снятие.

Чтобы отсоединить инструмент от плечевого ремня, достаточно сдвинуть боковые выступы пряжки.

► **Рис.30:** 1. Пряжка

Работа с инструментом

⚠ВНИМАНИЕ: Не приближайте пильную цепь к каким-либо частям тела, если электродвигатель работает.

⚠ВНИМАНИЕ: При работающем двигателе крепко держите инструмент двумя руками.

⚠ВНИМАНИЕ: При эксплуатации устройства не тянитесь. Всегда сохраняйте устойчивое положение и равновесие.

⚠ВНИМАНИЕ: При обрезании среди веток будьте осторожны, чтобы не потерять равновесие из-за веса головки инструмента.

⚠ВНИМАНИЕ: Всегда предусматривайте путь эвакуации на тот случай, если обрезанная ветка упадет в сторону оператора.

⚠ВНИМАНИЕ: Никогда не используйте верхушку пильной шины для резания. Это может стать причиной опасной отдачи, которая может привести к травме.

ПРИМЕЧАНИЕ: Не кидайте и не роняйте инструмент.

ПРИМЕЧАНИЕ: Не закрывайте вентиляционные отверстия инструмента.

ПРИМЕЧАНИЕ: Не прилагайте излишних усилий к инструменту. Это может привести к повреждению инструмента.

Встаньте на устойчивую поверхность и держите инструмент на расстоянии от ветвей, чтобы угол наклона инструмента составлял не более 60° относительно горизонтальной поверхности.

► **Рис.31:** 1. не более 60°

Запустите инструмент, а затем слегка прижмите пильную цепь к ветке.

При срезании длинных веток, чтобы контролировать место их падения, разделите ветку на части и обрезайте ее с конца. Остерегайтесь падающих веток, поскольку после удара о землю они могут отскочить в направлении оператора.

► **Рис.32**

При отрезании толстых веток сначала выполните неглубокий подрез снизу, после чего выполните окончательный разрез сверху.

► **Рис.33**

Если вы попытаетесь отрезать толстую ветку снизу, может произойти зажатие пильной цепи в разрезе. Если вы попытаетесь отрезать толстую ветку сверху, не выполнив неглубокий разрез снизу, ветка может расколоться.

► **Рис.34**

Переноска инструмента

Перед переноской инструмента всегда извлекайте из него блоки аккумулятора и надевайте крышку пильной шины. Также накройте блок аккумулятора крышкой аккумуляторной батареи.

При переноске инструмента не касайтесь триггерного переключателя.

► **Рис.35:** 1. Крышка пильной шины 2. Крышка аккумуляторной батареи

Использование инструмента с портативным блоком питания

Дополнительные принадлежности

При использовании инструмента с портативным блоком питания пользуйтесь ремешком для подвешивания.

Крепление ремешка для подвешивания

1. Прикрепите крючки ремешка для подвешивания к кольцам плечевого ремня или поясного ремня, как показано на рисунке. Выберите тип ремешка и способ соединения в соответствии с условиями использования.

► **Рис.36:** 1. Кольцо 2. Крючок

► **Рис.37:** 1. Кольцо 2. Крючок

2. Прикрепите крюк к инструменту.

► **Рис.38:** 1. Крючок

Отсоединение инструмента

Снимая инструмент, расстегните замок ремешка для подвешивания одной рукой, удерживая инструмент другой рукой.

► **Рис.39:** 1. Замок

ПРИМЕЧАНИЕ: В зависимости от типа ремешок может не оснащаться пряжкой.

Если необходимо быстро освободить инструмент, выполните указанные далее действия.

1. Чтобы разблокировать пряжку, нажмите рычаги на пряжке поясного ремня.

► **Рис.40:** 1. Замок 2. Рычаг

2. Снимите плечевой ремень, чтобы отсоединить инструмент и устройство.

► **Рис.41:** 1. Плечевой ремень

ОБСЛУЖИВАНИЕ

⚠ВНИМАНИЕ: Перед проведением проверки или работ по техобслуживанию всегда проверяйте, что инструмент выключен, а блок аккумуляторов снят.

⚠ВНИМАНИЕ: При выполнении осмотра или обслуживания всегда надевайте перчатки.

ПРИМЕЧАНИЕ: Запрещается использовать бензин, растворители, спирт и другие подобные жидкости. Это может привести к обесцвечиванию, деформации и трещинам.

Для обеспечения БЕЗОПАСНОСТИ и НАДЕЖНОСТИ оборудования ремонт, любое другое техобслуживание или регулировку необходимо производить в уполномоченных сервис-центрах Makita или сервис-центрах предприятия с использованием только сменных частей производства Makita.

Заточка пильной цепи

Выполните заточку пильной цепи, если:

- При пилении влажной древесины образуются рыхлые опилки;
- Цепь с трудом входит в древесину даже при приложении значительного усилия на пилу;
- Края распила имеют явные повреждения;
- Пилу при пилении тянет влево или вправо. (из-за неравномерной заточки пильной цепи или повреждения только с одной стороны)

Выполняйте заточку пильной цепи достаточно часто, но понемногу. Для заточки пилы при проведении повседневного ухода обычно достаточно двух или трех проходов напильником. После нескольких заточек заточите пильную цепь в авторизованном сервисном центре.

Требования к заточке:

⚠ ОСТОРОЖНО: Слишком большое расстояние между режущей кромкой и глубиномером повышает риск отбрасывания инструмента из-за отдачи.

- **Рис.42:** 1. Длина режущего элемента
2. Расстояние между режущей кромкой и глубиномером 3. Минимальная длина зубьев (3 мм)

- Длина всех зубьев должна быть одинаковой. Зубья разной длины будут затруднять плавное движение пильной цепи и могут привести к ее разрыву.
- Если длина зубьев пильной цепи 3 мм или меньше, заточивать цепь запрещено. В этом случае пильную цепь необходимо заменить.
- Толщина опилок определяется расстоянием между глубиномером (круглый выступ) и краем режущей кромки.
- Наилучшие результаты достигаются при соблюдении следующего расстояния между режущей кромкой и глубиномером.
 - Цепное лезвие 80TXL : 0,65 мм

► Рис.43

- Угол заточки в 30° должен соблюдаться на всех зубьях. Разница в углах заточки может привести к резкому и неравномерному движению цепи, ускоренному износу и к разрыву цепи.
- Необходимо использовать подходящий круглый напильник, чтобы угол заточки был направлен от зубьев.
 - Цепное лезвие 80TXL : 55°

Напильник и заточка напильником

- Для заточки цепей пилы используйте специальный круглый напильник (дополнительная принадлежность). Обычные круглые напильники не подходят для заточки цепей.
- Диаметр круглого напильника для каждой пильной цепи:
 - Цепное лезвие 80TXL : 4,0 мм
- Напильник должен стачивать зуб только при движении вперед. При перемещении напильника назад приподнимайте его над зубьями.
- Сначала наточите самый короткий зуб. Длина этого зуба будет служить ориентиром для остальных зубьев пильной цепи.

- Направляйте напильник, как показано на рисунке.

► Рис.44: 1. Напильник 2. Пильная цепь

- При использовании держателя напильника (дополнительная принадлежность) направлять напильник будет значительно легче. Держатель напильника имеет метки для правильного угла заточки в 30° (совместите метки параллельно с пильной цепью) и ограничивает глубину проникновения (до 4/5 диаметра напильника).

► Рис.45: 1. Держатель напильника

- После заточки цепи проверьте высоту глубиномера, используя для этого измерительный инструмент для цепи (дополнительная принадлежность).

► Рис.46

- Удалите любые, даже небольшие, выступы материала при помощи специального плоского напильника (дополнительная принадлежность).
- Закруглите еще раз переднюю часть глубиномера.

Очистка пильной шины

В пазе пильной шины накапливаются щепки и опилки. Это может привести к засорению паза и ухудшить ток масла. Поэтому при заточке или замене пильной цепи необходимо выполнять очистку от щепок и опилок.

► Рис.47

Очистка крышки звездочки

Во внутренней части крышки звездочки накапливаются щепки и опилки. Поэтому необходимо снимать крышку звездочки и отсоединять пильную цепь от инструмента, а затем выполнять очистку от щепок и опилок.

► Рис.48

Очистка отверстия для подачи масла

Во время работы мелкая пыль или частицы могут скапливаться в отверстии для подачи масла. Они могут негативно повлиять на подачу масла и привести к недостаточной смазке всей пильной цепи. В случае ухудшения подачи масла к цепи в верхней части пильной шины очистите отверстие для подачи масла следующим образом.

1. Снимите крышку звездочки и пильную цепь с инструмента.

2. Удалите мелкую пыль или частицы плоской отверткой или аналогичным инструментом.

► Рис.49: 1. Шлицевая отвертка 2. Отверстие нагнетания масла

3. Вставьте блок аккумулятора в инструмент.

4. Нажмите на триггерный переключатель для вымывания пыли и мелких частиц через отверстие подачи масла.

4. Выньте блок аккумулятора из инструмента. Установите крышку звездочки и пильную цепь обратно на инструмент.

Замена звездочки

ВНИМАНИЕ: Изношенная звездочка приводит к повреждению новой пильной цепи. Во избежание этого замените звездочку.

Перед установкой новой пильной цепи проверьте состояние звездочки. Если звездочка изношена или повреждена, свяжитесь с авторизованным сервисным центром Makita для замены.

► **Рис.50:** 1. Звездочка 2. Подвергающиеся износу участки

Хранение инструмента

1. Перед хранением почистите пилу. Сняв крышку звездочки, удалите щепки и опилки.
2. После очистки инструмента включите его на холостом ходу, чтобы смазать пильную цепь и пильную шину.
3. Закройте пильную шину крышкой.
4. Опорожните масляный бак.

Указания по периодическому обслуживанию

Чтобы обеспечить продолжительный срок эксплуатации, предотвратить повреждения и обеспечить правильную работу защитных устройств, необходимо регулярно проводить обслуживание. Гарантийные претензии принимаются только при условии надлежащего и регулярного выполнения этих работ. Невыполнение обязательного обслуживания может стать причиной несчастных случаев! Пользователь инструмента не должен выполнять работы по техническому обслуживанию, которые не описаны в инструкции по эксплуатации. Все подобные работы должны выполняться только в нашем авторизованном сервисном центре.

Элемент, подлежащий проверке / Время эксплуатации		Перед началом работы	Ежедневно	Еженедельно	Каждые 3 месяца	Ежегодно	Перед хранением
Инструмент в целом	Осмотр.	✓	-	-	-	-	-
	Очистка.	-	✓	-	-	-	-
	Проверьте в авторизованном сервисном центре.	-	-	-	-	✓	✓
Пильная цепь	Осмотр.	✓	-	-	-	-	-
	При необходимости заточите.	-	-	-	-	-	✓
Пильная шина	Осмотр.	✓	✓	-	-	-	-
	Снять с инструмента.	-	-	-	-	-	✓
Смазка цепи	Проверьте скорость подачи масла.	✓	-	-	-	-	-
Триггерный переключатель	Осмотр.	✓	-	-	-	-	-
Кнопка разблокировки	Осмотр.	✓	-	-	-	-	-
Крышка маслобака	Проверьте герметичность.	✓	-	-	-	-	-
Винты и гайки	Осмотр.	-	-	✓	-	-	-

ПОИСК И УСТРАНЕНИЕ НЕИСПРАВНОСТЕЙ

Прежде чем обращаться по поводу ремонта, проведите осмотр самостоятельно. Если обнаружена неисправность, не указанная в руководстве, не пытайтесь разобрать инструмент. Обратитесь в один из авторизованных сервисных центров Makita, в которых для ремонта всегда используются оригинальные детали Makita.

Неисправность	Причина	Действие
Инструмент не запускается.	Не вставлен блок аккумулятора.	Установите заряженный блок аккумулятора.
	Неисправен аккумулятор (низкое напряжение).	Повторно зарядите блоки аккумулятора. Если перезарядка не помогает, замените блок аккумулятора.
После непродолжительного использования двигатель останавливается.	Низкий уровень заряда аккумулятора.	Повторно зарядите блоки аккумулятора. Если перезарядка не помогает, замените блок аккумулятора.
Нет масла на цепи.	Масляный бак пуст.	Заполните масляный бак.
	Загрязнен направляющий желоб для масла.	Очистите желоб.
Инструмент не достигает максимальной частоты вращения.	Неправильно установлен блок аккумулятора.	Вставьте блок аккумулятора, как описано в этом руководстве.
	Заряд аккумулятора падает.	Зарядите блок аккумулятора. Если перезарядка не помогает, замените блок аккумулятора.
	Привод работает неправильно.	Обратитесь в авторизованный сервисный центр в вашем регионе для выполнения ремонта.
Сильная вибрация: немедленно остановите инструмент!	Ослабьте пильную шину или пильную цепь.	Отрегулируйте натяжение пильной шины и пильной цепи.
	Неисправность инструмента.	Обратитесь в авторизованный сервисный центр в вашем регионе для выполнения ремонта.
Невозможно установить пильную цепь.	Неправильное сочетание пильной цепи и звездочки.	Используйте правильную комбинацию пильной цепи и звездочки (см. раздел технических характеристик).

ДОПОЛНИТЕЛЬНЫЕ ПРИНАДЛЕЖНОСТИ

ВНИМАНИЕ: Данные принадлежности или приспособления рекомендуются для использования с инструментом Makita, указанным в настоящем руководстве. Использование других принадлежностей или приспособлений может привести к получению травмы. Используйте принадлежность или приспособление только по указанному назначению.

Если вам необходимо содействие в получении дополнительной информации по этим принадлежностям, свяжитесь с вашим сервис-центром Makita.

- Пильная цепь
- Пильная шина
- Крышка пильной шины
- Напильник
- Плечевой ремень
- Масло для цепи
- Звездочка
- Оригинальный аккумулятор и зарядное устройство Makita

ОСТОРОЖНО: При покупке пильной шины, которая отличается по длине от стандартной пильной шины, вместе с ней необходимо также приобрести крышку пильной шины подходящего размера. Убедитесь, что эта крышка подходит и полностью закрывает пильную шину инструмента.

ПРИМЕЧАНИЕ: Некоторые элементы списка могут входить в комплект инструмента в качестве стандартных приспособлений. Они могут отличаться в зависимости от страны.

Makita Europe N.V.

Jan-Baptist Vinkstraat 2, 3070 Kortenberg, Belgium

Makita Corporation

3-11-8, Sumiyoshi-cho, Anjo, Aichi 446-8502 Japan

www.makita.com



885A81-984
EN, SV, NO, FI, DA,
LV, LT, ET, RU
20240626