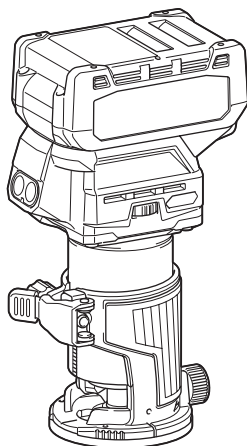




EN	Cordless Trimmer	INSTRUCTION MANUAL	17
SV	Batteridrivnen kantfräs	BRUKSANVISNING	32
NO	Batteridrevet tilskjæringsmaskin	BRUKSANVISNING	47
FI	Akkukäyttöinen jyrsin	KÄYTTÖOHJE	62
DA	Akku overfræser	BRUGSANVISNING	77
LV	Bezvadu apgriezējmašīna	LIETOŠANAS INSTRUKCIJA	92
LT	Belaidė freza	NAUDOJIMO INSTRUKCIJA	107
ET	Akuga servamismasin	KASUTUSJUHEND	122
RU	Аккумуляторный фрезер	РУКОВОДСТВО ПО ЭКСПЛУАТАЦИИ	137

RT001G



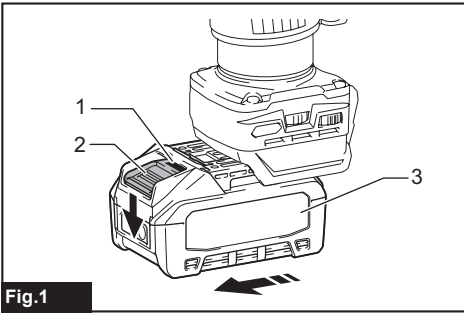


Fig.1

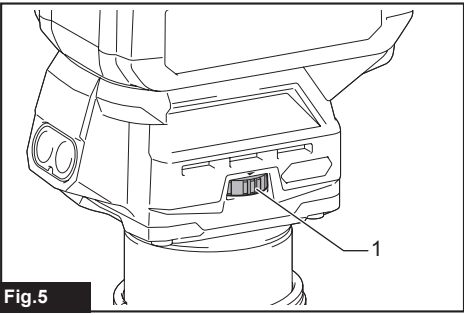


Fig.5

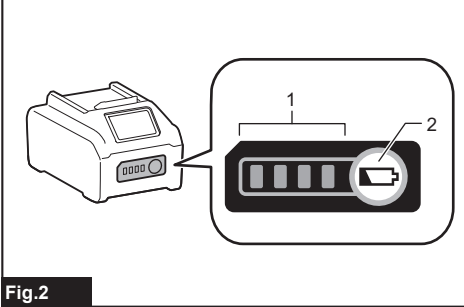


Fig.2

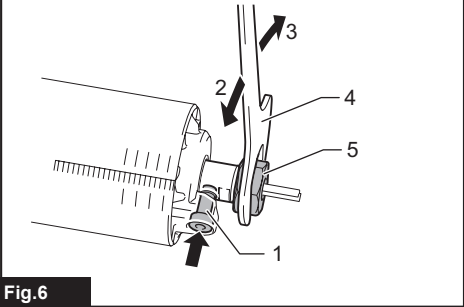


Fig.6

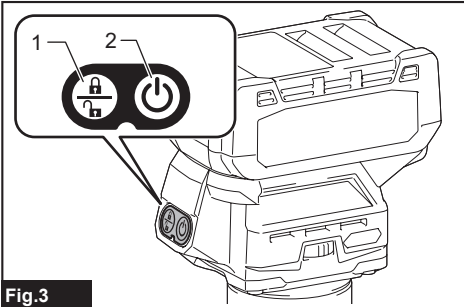


Fig.3

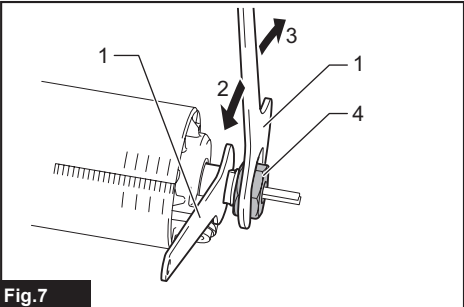


Fig.7

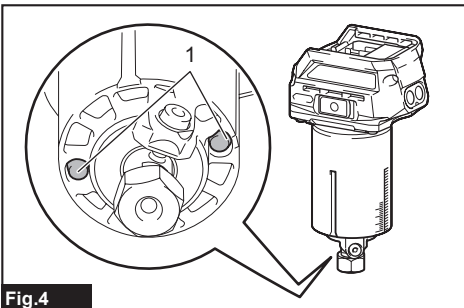


Fig.4

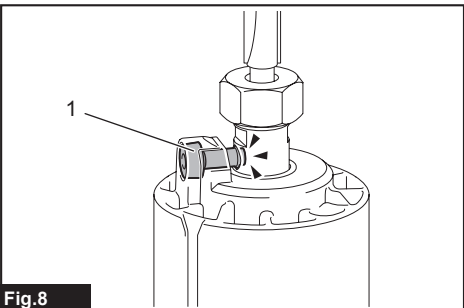
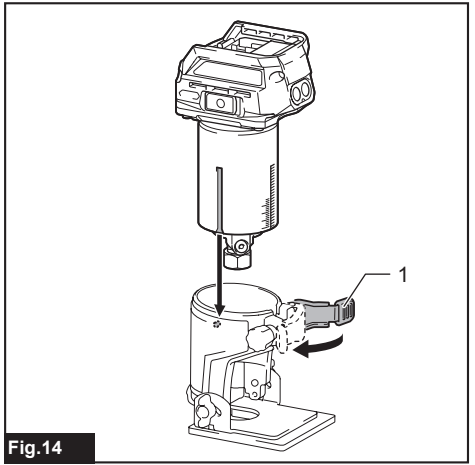
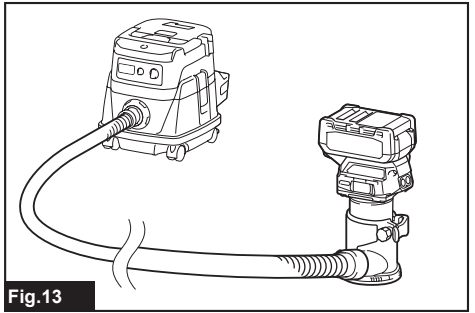
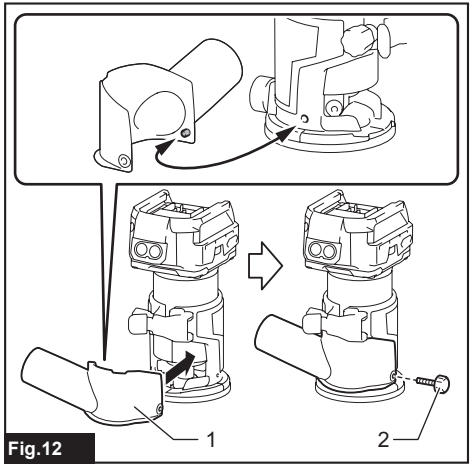
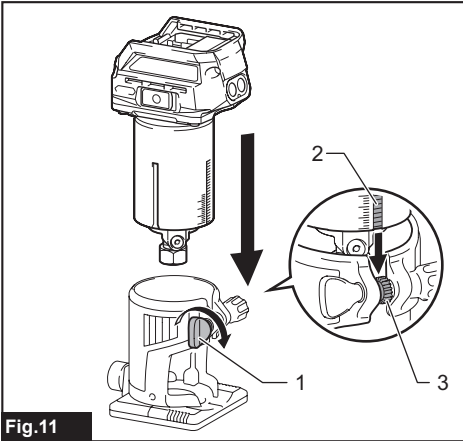
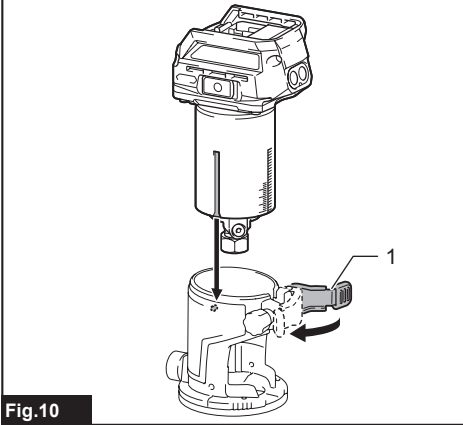
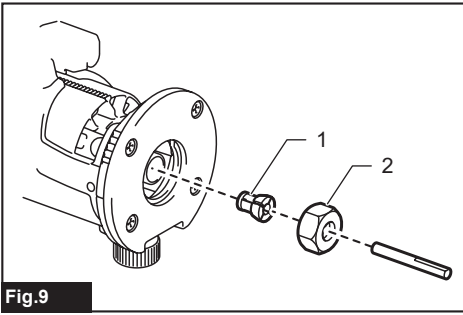
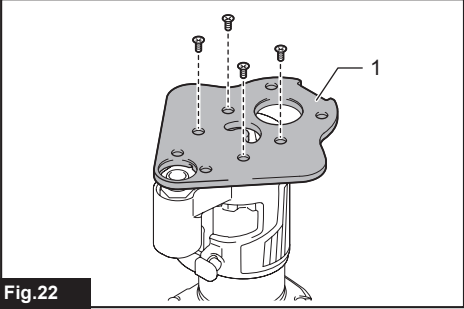
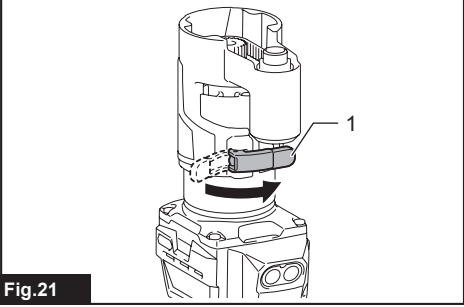
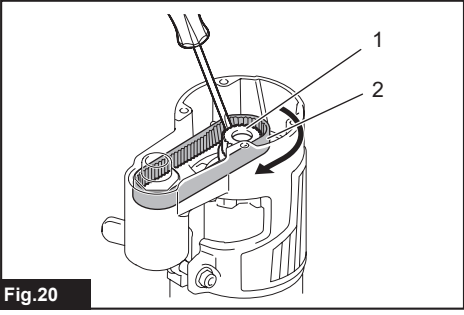
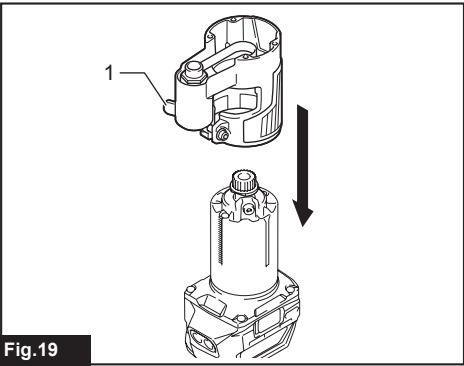
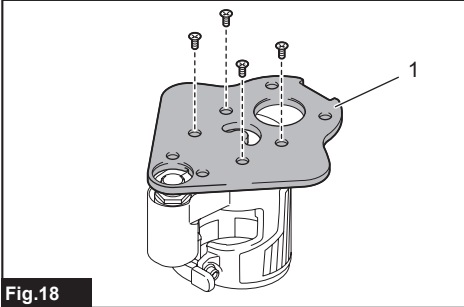
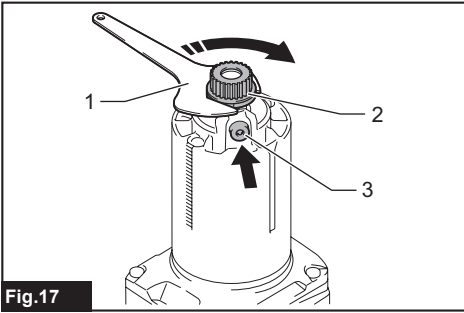
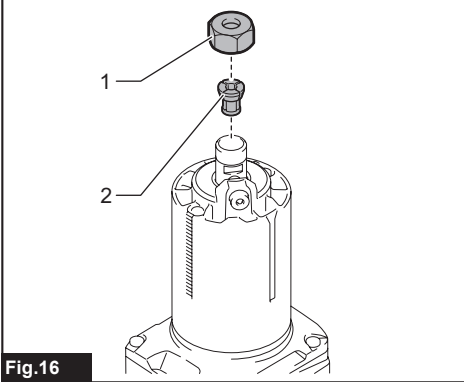
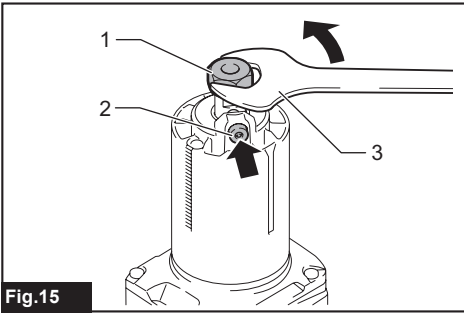
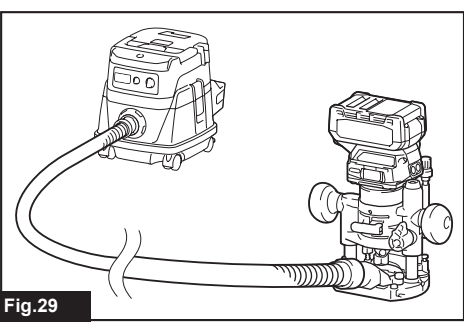
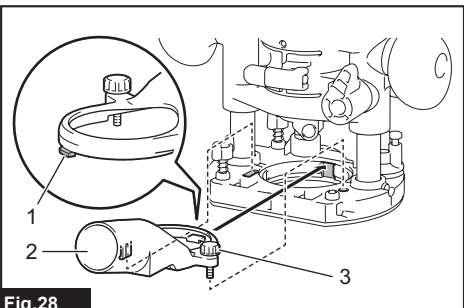
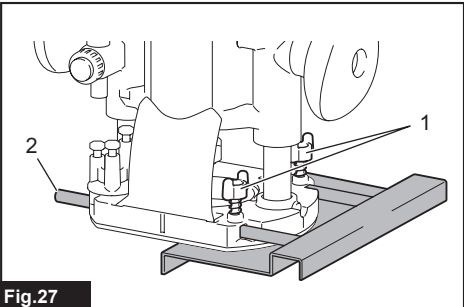
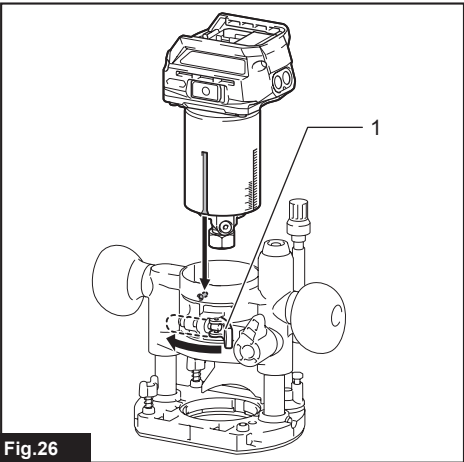
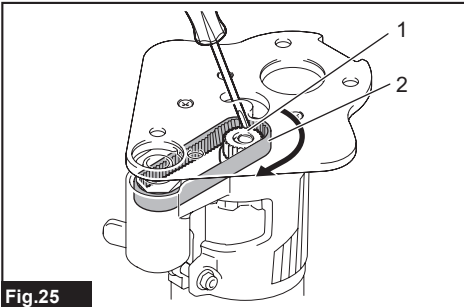
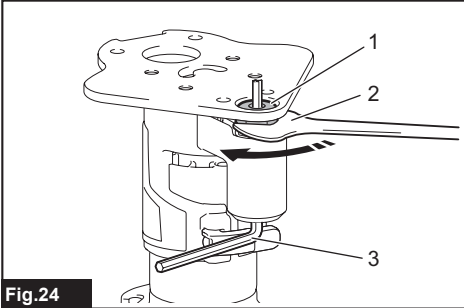
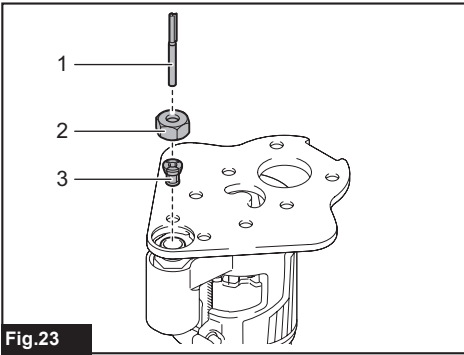


Fig.8







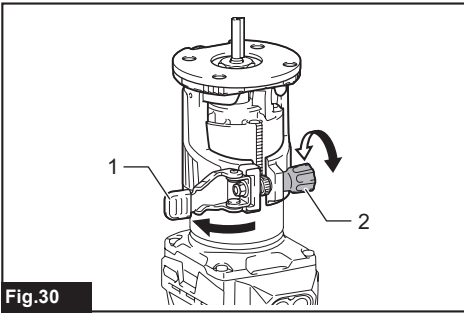


Fig.30

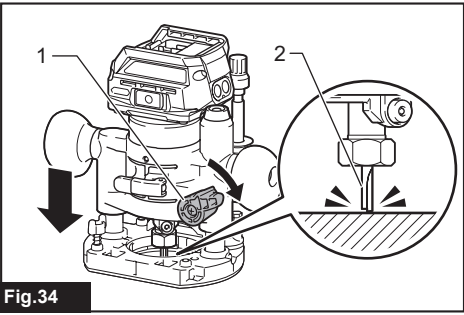


Fig.34

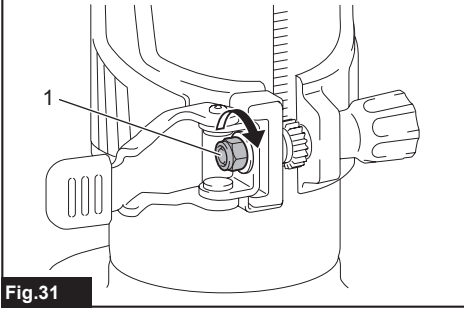


Fig.31

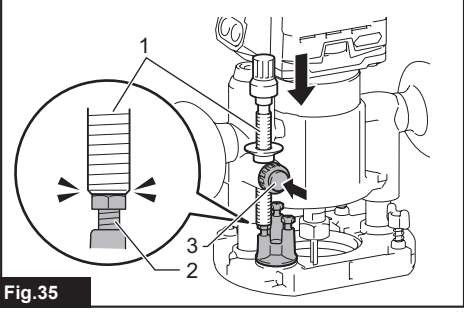


Fig.35

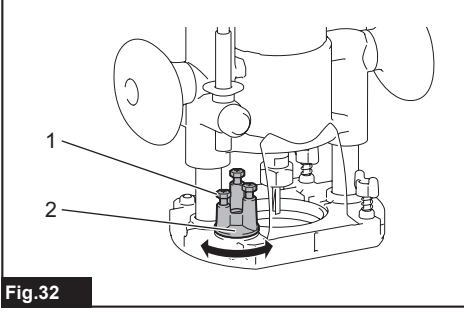


Fig.32

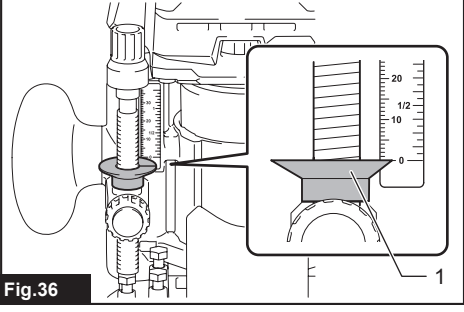


Fig.36

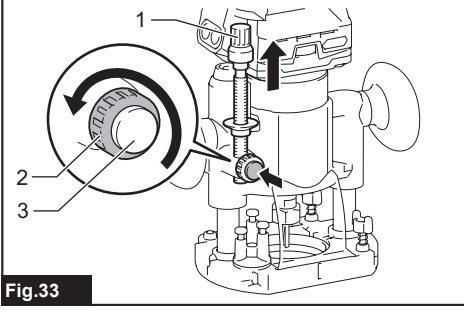


Fig.33

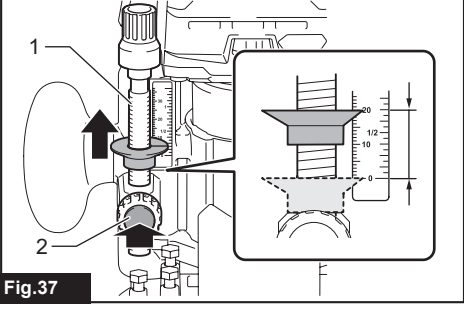
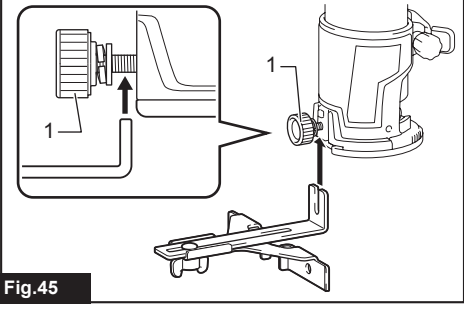
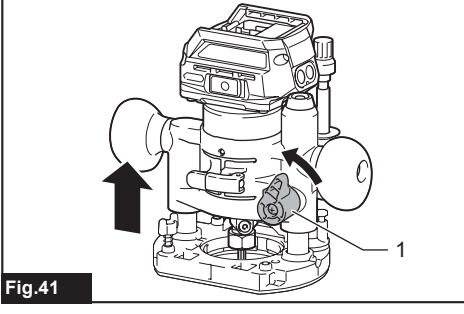
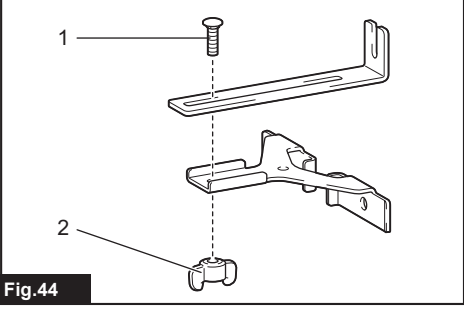
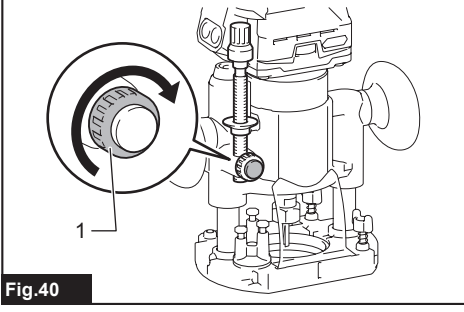
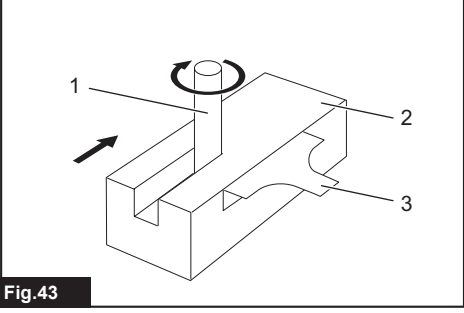
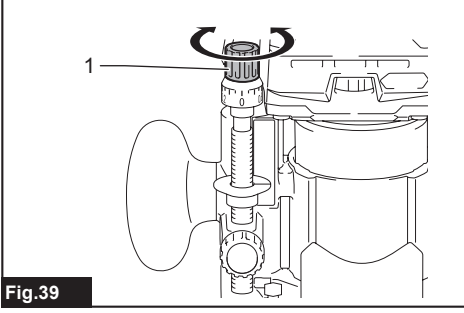
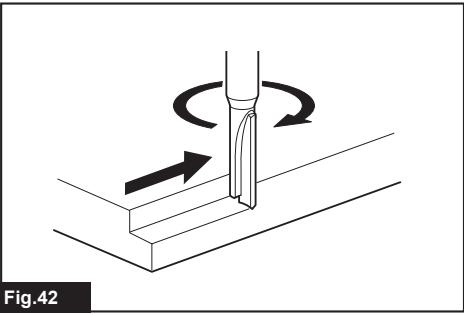
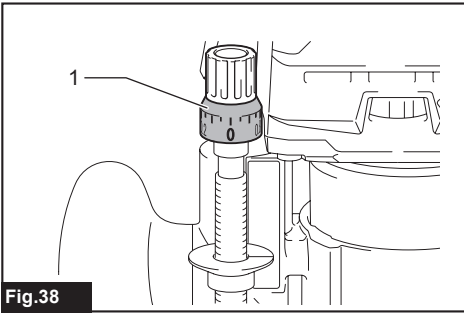
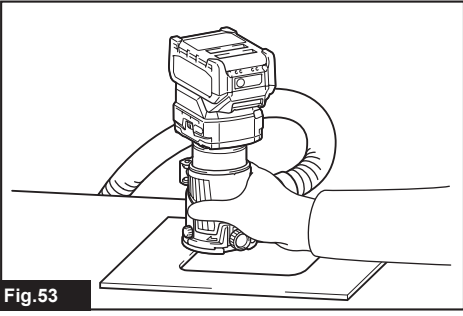
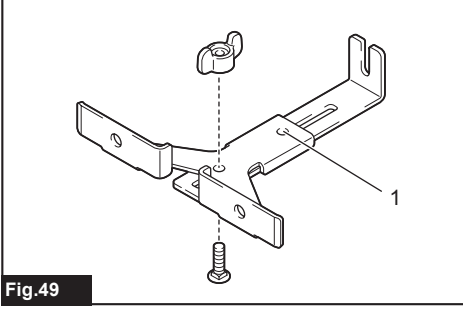
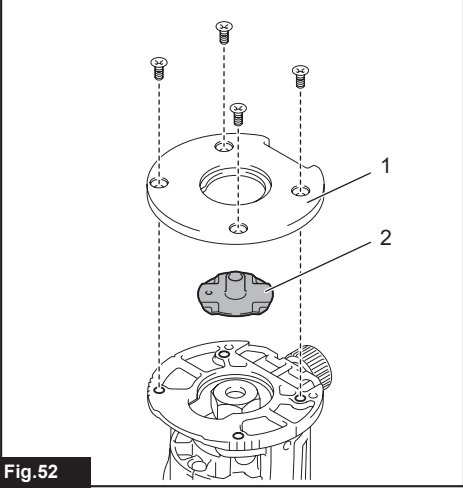
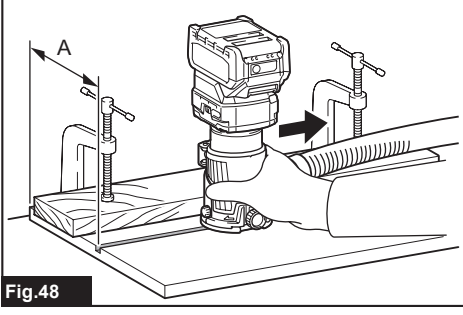
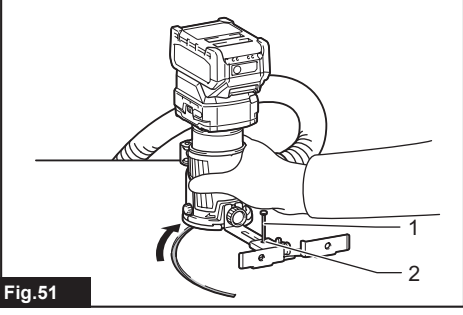
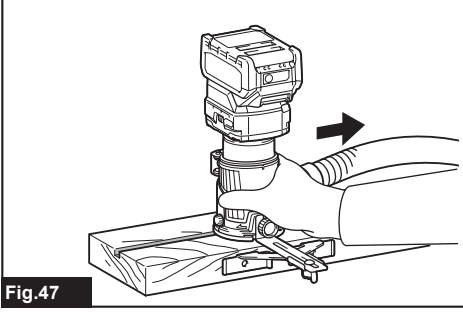
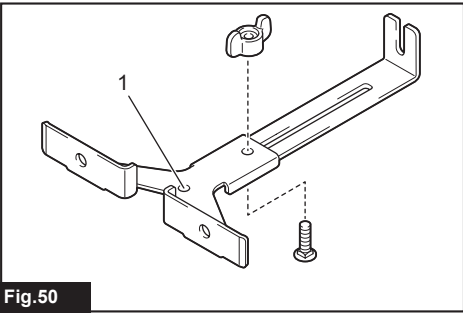
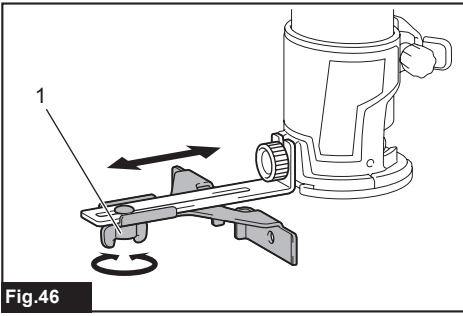


Fig.37





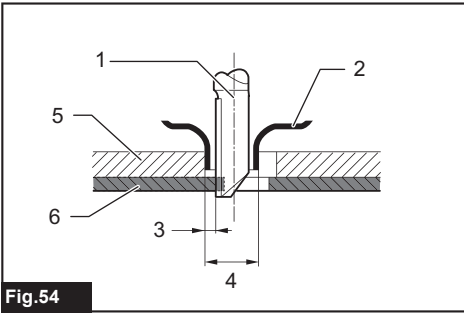


Fig.54

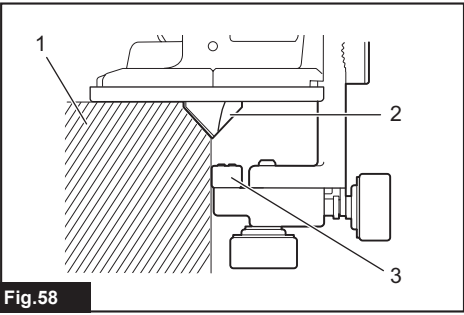


Fig.58

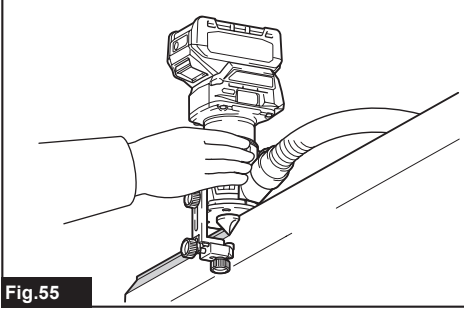


Fig.55

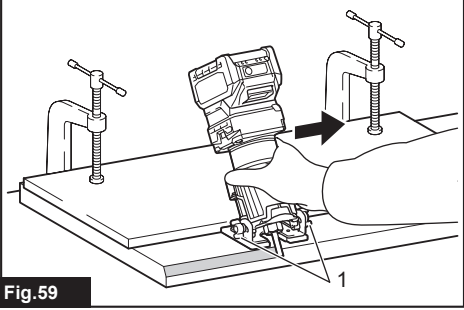


Fig.59

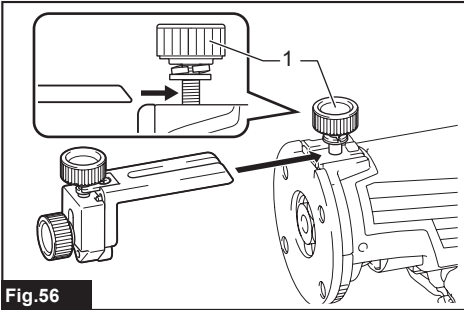


Fig.56

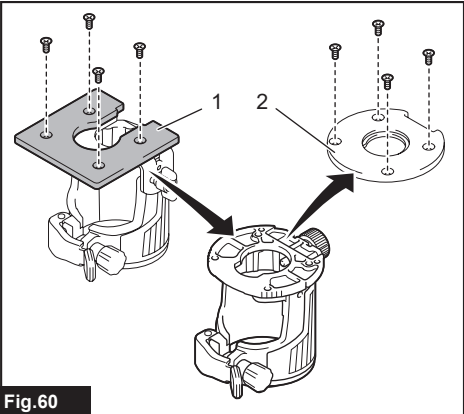


Fig.60

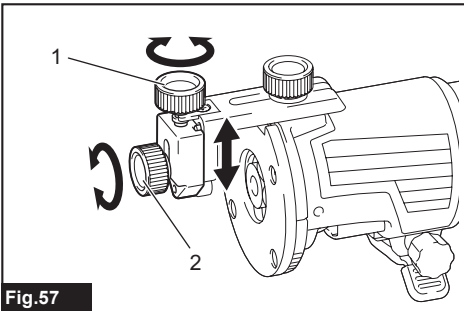


Fig.57

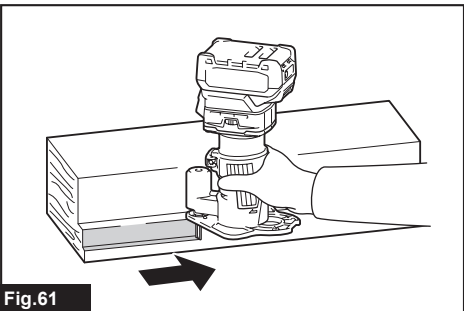
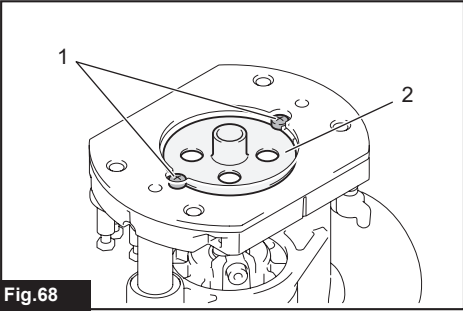
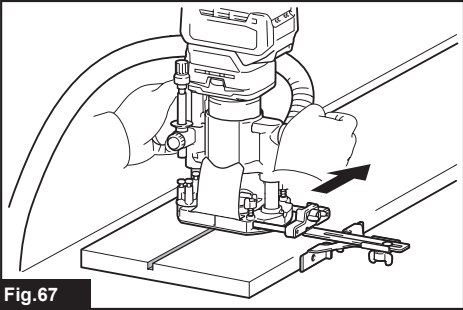
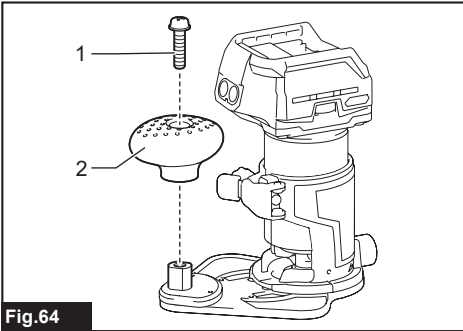
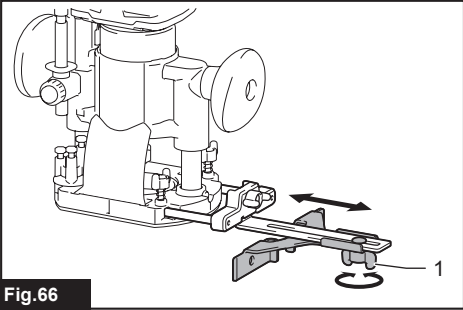
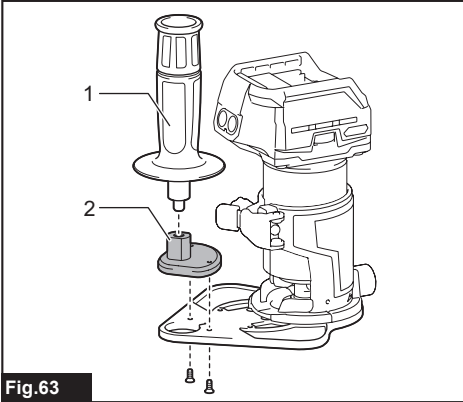
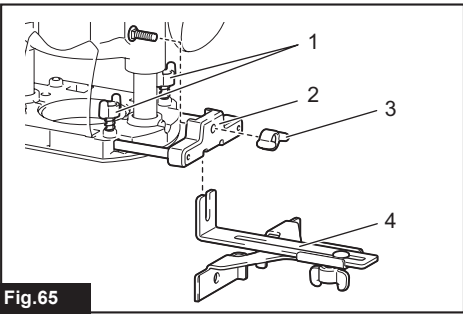
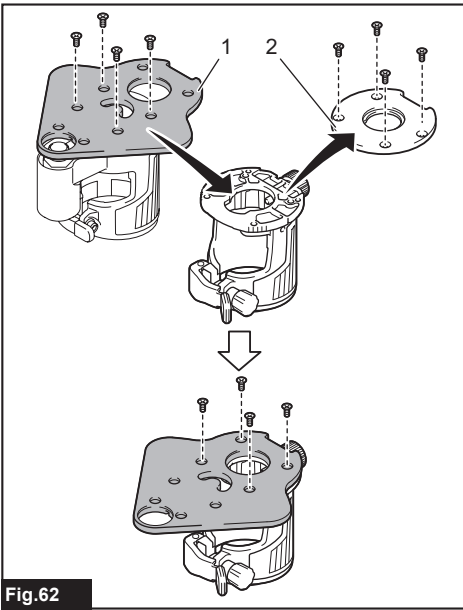


Fig.61



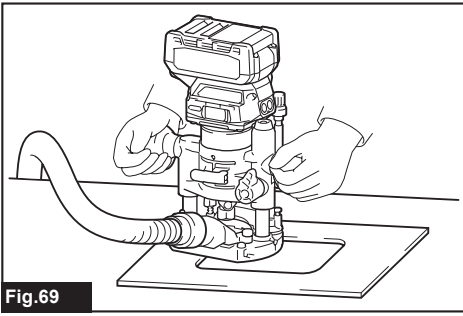


Fig.69

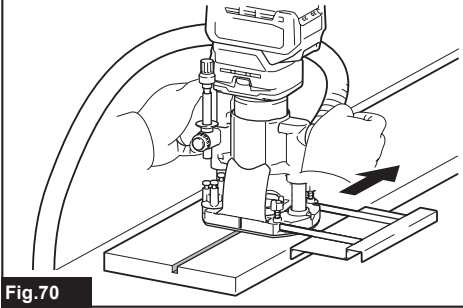


Fig.70

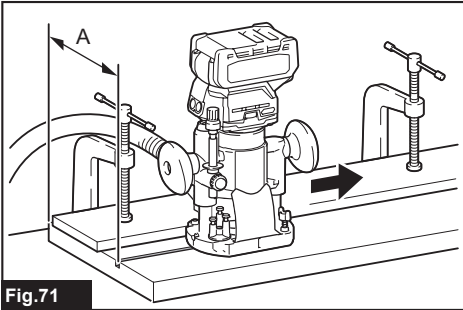


Fig.71

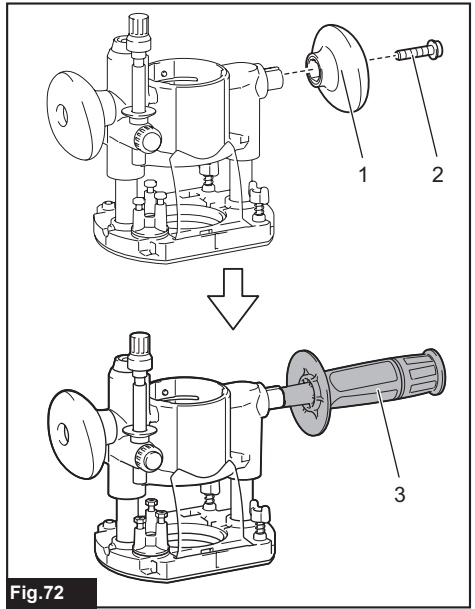


Fig.72

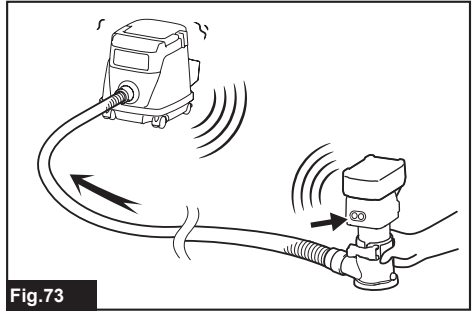


Fig.73

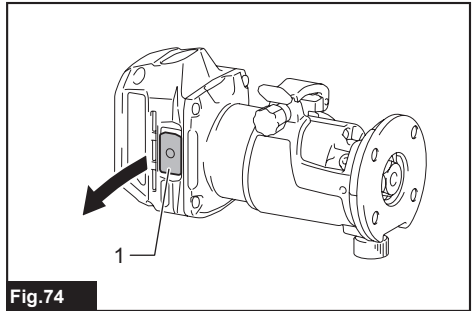


Fig.74

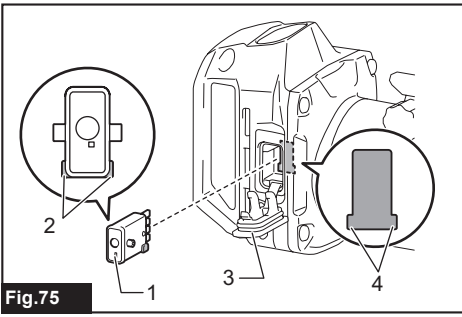


Fig.75

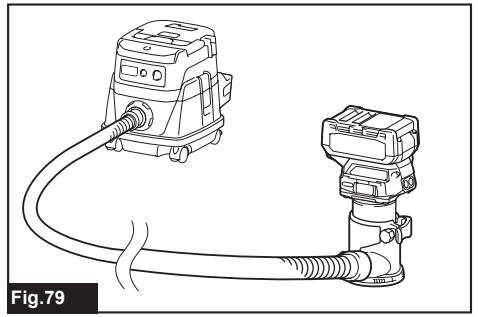


Fig.79

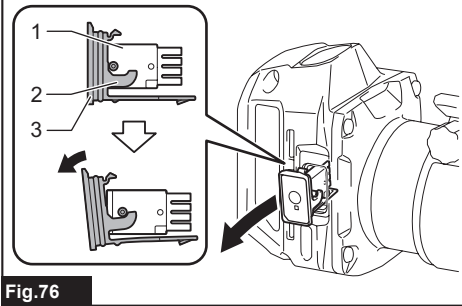


Fig.76

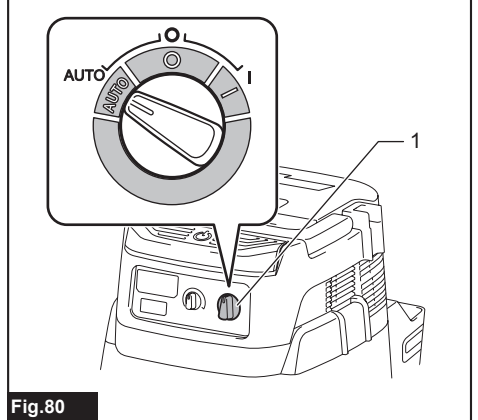


Fig.80

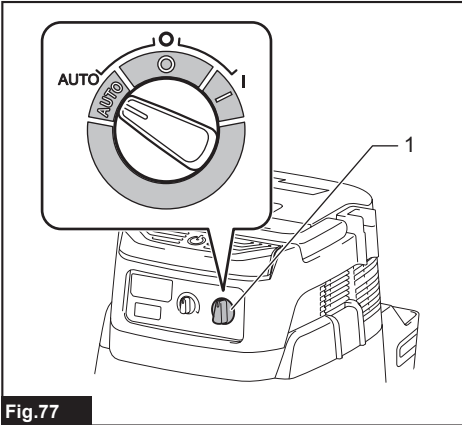


Fig.77

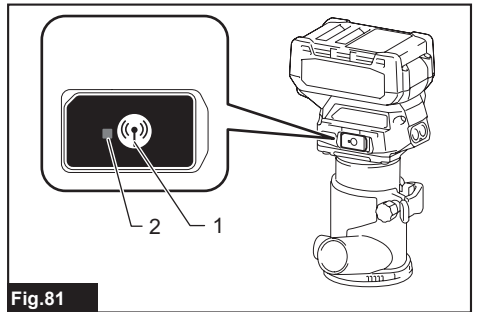


Fig.81

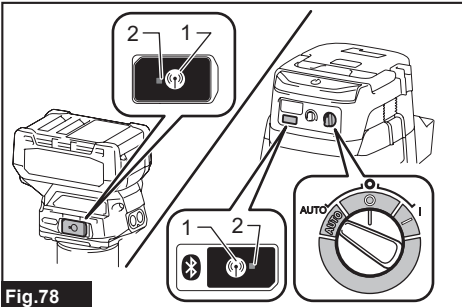


Fig.78

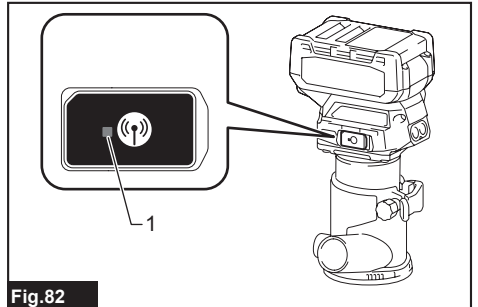


Fig.82

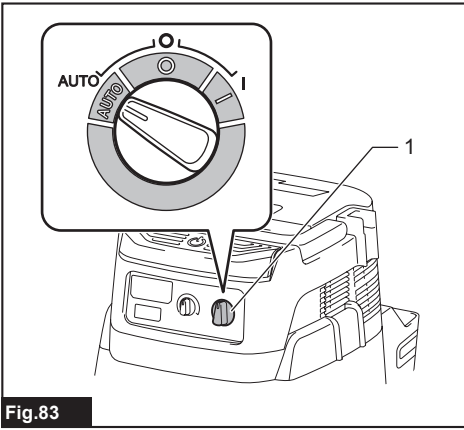


Fig.83

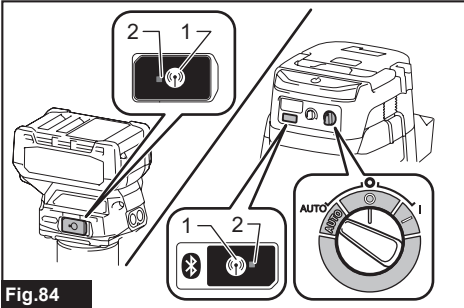


Fig.84

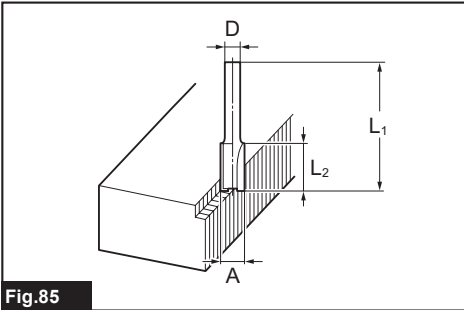


Fig.85

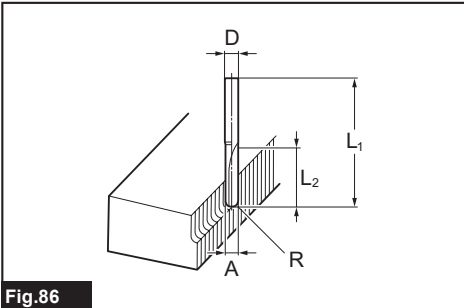


Fig.86

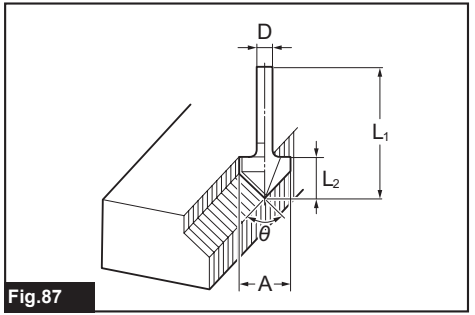


Fig.87

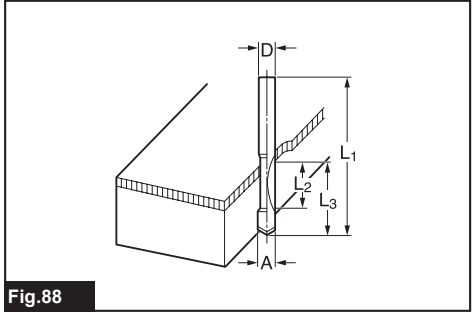


Fig.88

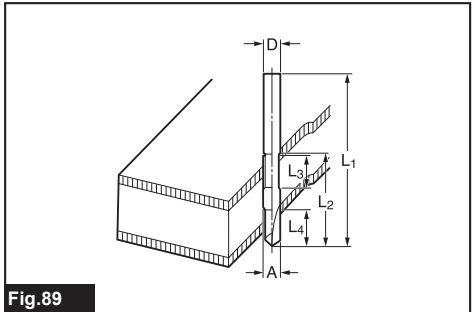


Fig.89

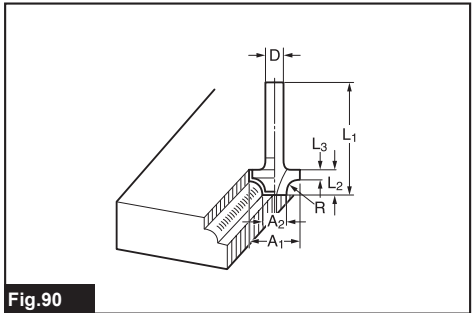
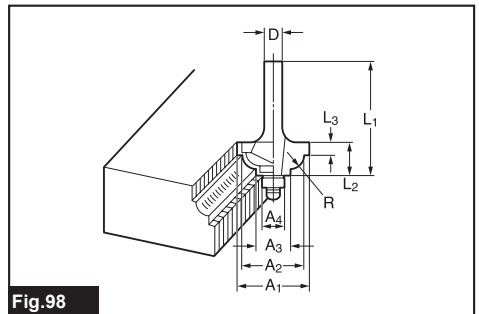
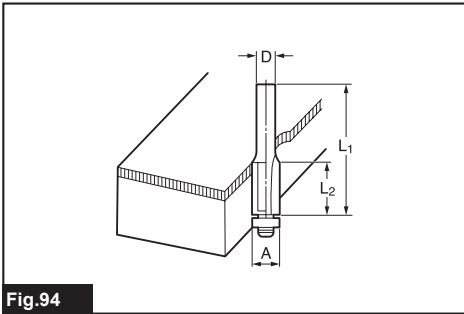
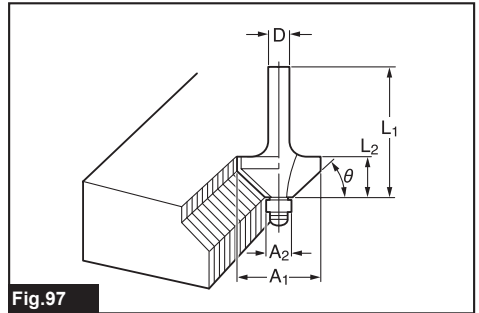
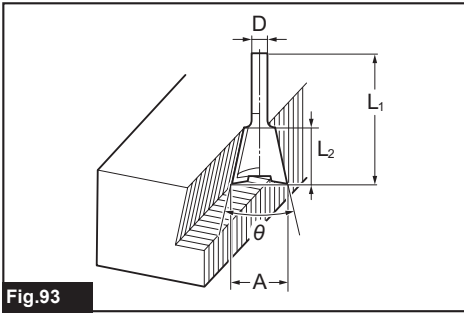
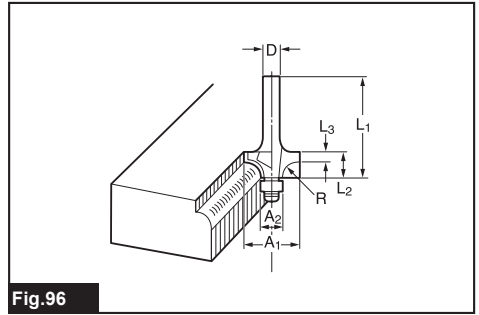
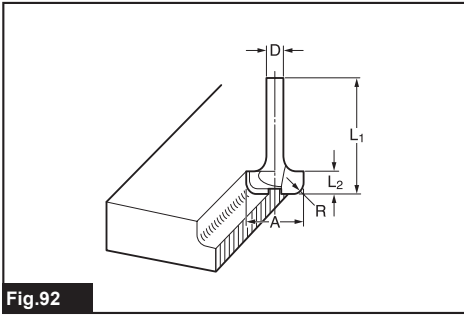
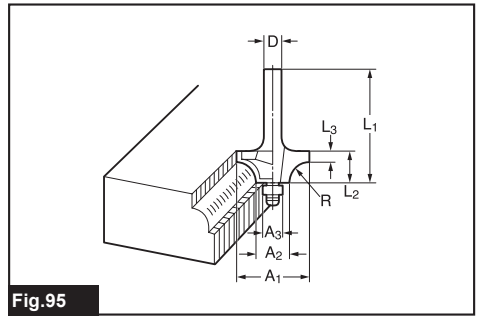
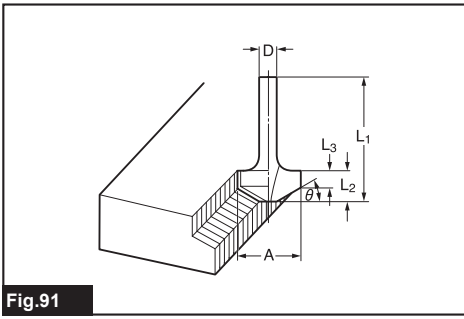
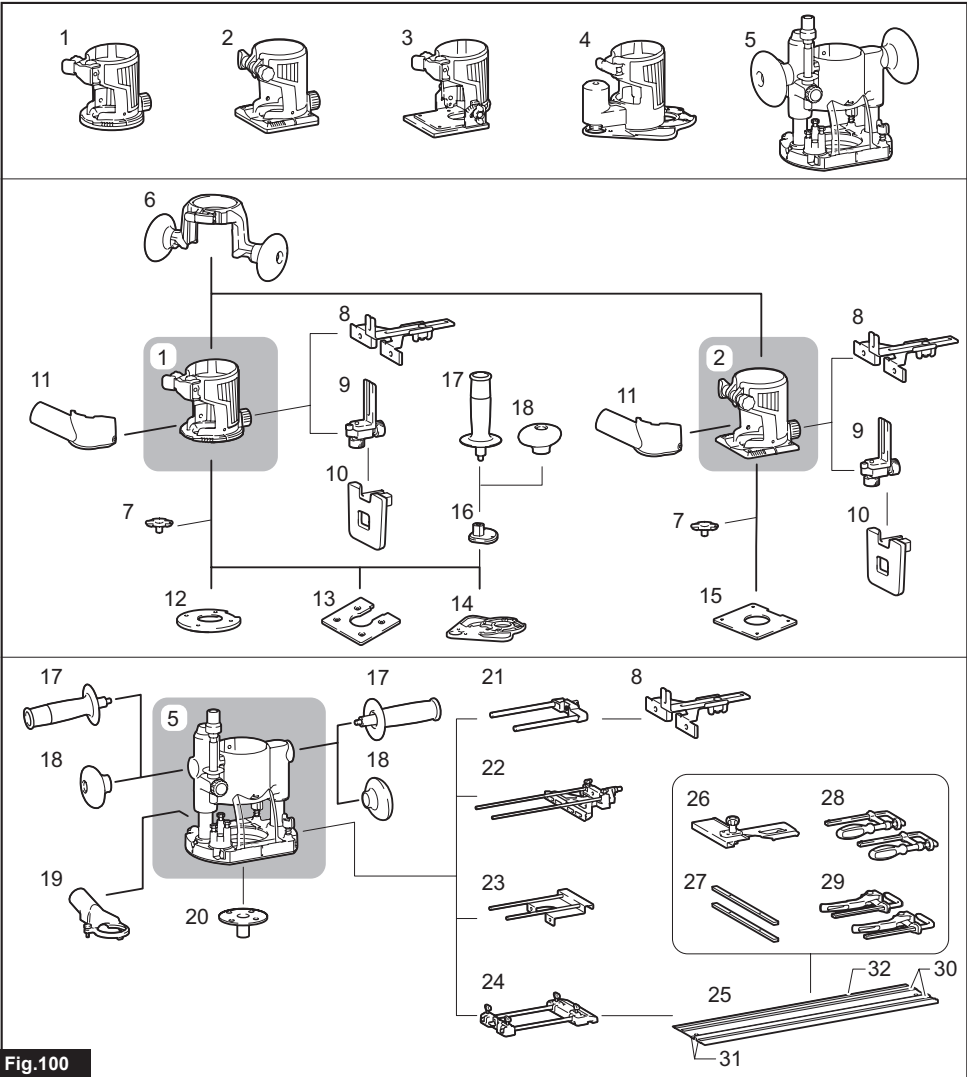
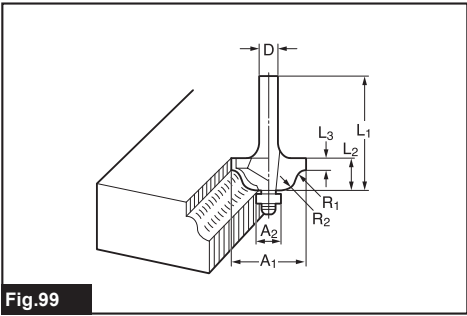


Fig.90





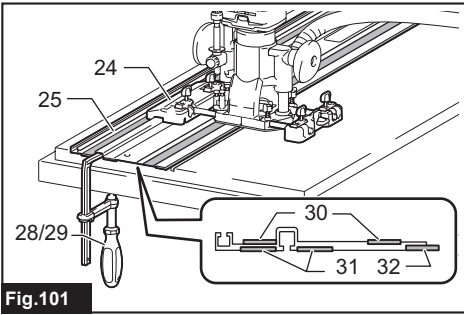


Fig.101

SPECIFICATIONS

Model:		RT001G
Collet chuck capacity		6 mm, 8 mm, or 1/4"
No load speed		10,000 - 31,000 min ⁻¹
Overall height	with BL4025	245 mm
	with BL4040	251 mm
Rated voltage		D.C. 36 V - 40 V max
Net weight		2.2 - 2.5 kg

- Due to our continuing program of research and development, the specifications herein are subject to change without notice.
- Specifications and battery cartridge may differ from country to country.
- The weight may differ depending on the attachment(s), including the battery cartridge. The lightest and heaviest combinations, according to EPTA-Procedure 01/2014, are shown in the table.

Applicable battery cartridge and charger

Battery cartridge	BL4020 / BL4025 / BL4040
Charger	DC40RA / DC40RB / DC40RC

- Some of the battery cartridges and chargers listed above may not be available depending on your region of residence.

⚠ WARNING: Only use the battery cartridges and chargers listed above. Use of any other battery cartridges and chargers may cause injury and/or fire.

Intended use

The tool is intended for flush trimming and profiling of wood, plastic and similar materials.

Noise

The typical A-weighted noise level determined according to EN62841-2-17:

Work mode: rotation without load
 Sound pressure level (L_{pA}) : 81 dB(A)
 Sound power level (L_{WA}) : 92 dB (A)
 Uncertainty (K) : 3 dB(A)

NOTE: The declared noise emission value(s) has been measured in accordance with a standard test method and may be used for comparing one tool with another.

NOTE: The declared noise emission value(s) may also be used in a preliminary assessment of exposure.

⚠ WARNING: Wear ear protection.

⚠ WARNING: The noise emission during actual use of the power tool can differ from the declared value(s) depending on the ways in which the tool is used especially what kind of workpiece is processed.

⚠ WARNING: Be sure to identify safety measures to protect the operator that are based on an estimation of exposure in the actual conditions of use (taking account of all parts of the operating cycle such as the times when the tool is switched off and when it is running idle in addition to the trigger time).

Vibration

The vibration total value (tri-axial vector sum) determined according to EN62841-2-17:

Work mode: rotation without load
 Vibration emission (a_h) : 2.5 m/s² or less
 Uncertainty (K) : 1.5 m/s²

NOTE: The declared vibration total value(s) has been measured in accordance with a standard test method and may be used for comparing one tool with another.

NOTE: The declared vibration total value(s) may also be used in a preliminary assessment of exposure.

⚠ WARNING: The vibration emission during actual use of the power tool can differ from the declared value(s) depending on the ways in which the tool is used especially what kind of workpiece is processed.

⚠ WARNING: Be sure to identify safety measures to protect the operator that are based on an estimation of exposure in the actual conditions of use (taking account of all parts of the operating cycle such as the times when the tool is switched off and when it is running idle in addition to the trigger time).

EC Declaration of Conformity

For European countries only

The EC declaration of conformity is included as Annex A to this instruction manual.

SAFETY WARNINGS

General power tool safety warnings

⚠WARNING: Read all safety warnings, instructions, illustrations and specifications provided with this power tool. Failure to follow all instructions listed below may result in electric shock, fire and/or serious injury.

Save all warnings and instructions for future reference.

The term "power tool" in the warnings refers to your mains-operated (corded) power tool or battery-operated (cordless) power tool.

Cordless trimmer safety warnings

1. Use clamps or another practical way to secure and support the workpiece to a stable platform. Holding the work by your hand or against the body leaves it unstable and may lead to loss of control.
2. Hold the power tool by insulated gripping surfaces only, because the cutter may contact hidden wiring. Cutting a "live" wire may make exposed metal parts of the power tool "live" and could give the operator an electric shock.
3. Only use a trimmer bit that is rated at least equal to the maximum speed marked on the tool. If the tool has a variable speed control function, set the tool speed under the speed rating of the trimmer bit.
4. The trimmer bit shank must match the designed collet chuck.
5. Wear hearing protection during extended period of operation.
6. Handle the trimmer bits very carefully.
7. Check the trimmer bit carefully for cracks or damage before operation. Replace cracked or damaged trimmer bit immediately.
8. Avoid cutting nails. Inspect for and remove all nails from the workpiece before operation.
9. Hold the tool firmly.
10. Keep hands away from rotating parts.
11. Make sure the trimmer bit is not contacting the workpiece before the switch is turned on.
12. Before using the tool on an actual workpiece, let it run for a while. Watch for vibration or wobbling that could indicate improperly installed trimmer bit.
13. Be careful of the trimmer bit rotating direction and the feed direction.
14. Do not leave the tool running. Operate the tool only when hand-held.
15. Always switch off and wait for the trimmer bit to come to a complete stop before removing the tool from workpiece.
16. Do not touch the trimmer bit immediately after operation; it may be extremely hot and could burn your skin.

17. Do not smear the base carelessly with thinner, gasoline, oil or the like. They may cause cracks in the base.
18. Use trimmer bits of the correct shank diameter suitable for the speed of the tool.
19. Some material contains chemicals which may be toxic. Take caution to prevent dust inhalation and skin contact. Follow material supplier safety data.
20. Always use the correct dust mask/respirator for the material and application you are working with.

SAVE THESE INSTRUCTIONS.

⚠WARNING: DO NOT let comfort or familiarity with product (gained from repeated use) replace strict adherence to safety rules for the subject product. MISUSE or failure to follow the safety rules stated in this instruction manual may cause serious personal injury.

Important safety instructions for battery cartridge

1. Before using battery cartridge, read all instructions and cautionary markings on (1) battery charger, (2) battery, and (3) product using battery.
2. Do not disassemble or tamper with the battery cartridge. It may result in a fire, excessive heat, or explosion.
3. If operating time has become excessively shorter, stop operating immediately. It may result in a risk of overheating, possible burns and even an explosion.
4. If electrolyte gets into your eyes, rinse them out with clear water and seek medical attention right away. It may result in loss of your eyesight.
5. Do not short the battery cartridge:
 - (1) Do not touch the terminals with any conductive material.
 - (2) Avoid storing battery cartridge in a container with other metal objects such as nails, coins, etc.
 - (3) Do not expose battery cartridge to water or rain.A battery short can cause a large current flow, overheating, possible burns and even a breakdown.
6. Do not store and use the tool and battery cartridge in locations where the temperature may reach or exceed 50 °C (122 °F).
7. Do not incinerate the battery cartridge even if it is severely damaged or is completely worn out. The battery cartridge can explode in a fire.
8. Do not nail, cut, crush, throw, drop the battery cartridge, or hit against a hard object to the battery cartridge. Such conduct may result in a fire, excessive heat, or explosion.
9. Do not use a damaged battery.

10. **The contained lithium-ion batteries are subject to the Dangerous Goods Legislation requirements.** For commercial transports e.g. by third parties, forwarding agents, special requirement on packaging and labeling must be observed. For preparation of the item being shipped, consulting an expert for hazardous material is required. Please also observe possibly more detailed national regulations. Tape or mask off open contacts and pack up the battery in such a manner that it cannot move around in the packaging.
11. **When disposing the battery cartridge, remove it from the tool and dispose of it in a safe place. Follow your local regulations relating to disposal of battery.**
12. **Use the batteries only with the products specified by Makita.** Installing the batteries to non-compliant products may result in a fire, excessive heat, explosion, or leak of electrolyte.
13. **If the tool is not used for a long period of time, the battery must be removed from the tool.**
14. **During and after use, the battery cartridge may take on heat which can cause burns or low temperature burns. Pay attention to the handling of hot battery cartridges.**
15. **Do not touch the terminal of the tool immediately after use as it may get hot enough to cause burns.**
16. **Do not allow chips, dust, or soil stuck into the terminals, holes, and grooves of the battery cartridge.** It may cause heating, catching fire, burst and malfunction of the tool or battery cartridge, resulting in burns or personal injury.
17. **Unless the tool supports the use near high-voltage electrical power lines, do not use the battery cartridge near a high-voltage electrical power lines.** It may result in a malfunction or breakdown of the tool or battery cartridge.
18. **Keep the battery away from children.**

SAVE THESE INSTRUCTIONS.

⚠ CAUTION: Only use genuine Makita batteries. Use of non-genuine Makita batteries, or batteries that have been altered, may result in the battery bursting causing fires, personal injury and damage. It will also void the Makita warranty for the Makita tool and charger.

Tips for maintaining maximum battery life

1. **Charge the battery cartridge before completely discharged. Always stop tool operation and charge the battery cartridge when you notice less tool power.**
2. **Never recharge a fully charged battery cartridge. Overcharging shortens the battery service life.**
3. **Charge the battery cartridge with room temperature at 10 °C - 40 °C (50 °F - 104 °F). Let a hot battery cartridge cool down before charging it.**
4. **When not using the battery cartridge, remove it from the tool or the charger.**
5. **Charge the battery cartridge if you do not use it for a long period (more than six months).**

Important safety instructions for wireless unit

1. **Do not disassemble or tamper with the wireless unit.**
2. **Keep the wireless unit away from young children. If accidentally swallowed, seek medical attention immediately.**
3. **Use the wireless unit only with Makita tools.**
4. **Do not expose the wireless unit to rain or wet conditions.**
5. **Do not use the wireless unit in places where the temperature exceeds 50 °C (122 °F).**
6. **Do not operate the wireless unit in places where medical instruments, such as heart pace makers are nearby.**
7. **Do not operate the wireless unit in places where automated devices are nearby.** If operated, automated devices may develop malfunction or error.
8. **Do not operate the wireless unit in places under high temperature or places where static electricity or electrical noise could be generated.**
9. **The wireless unit can produce electromagnetic fields (EMF) but they are not harmful to the user.**
10. **The wireless unit is an accurate instrument. Be careful not to drop or strike the wireless unit.**
11. **Avoid touching the terminal of the wireless unit with bare hands or metallic materials.**
12. **Always remove the battery on the product when installing the wireless unit into it.**
13. **When opening the lid of the slot, avoid the place where dust and water may come into the slot. Always keep the inlet of the slot clean.**
14. **Always insert the wireless unit in the correct direction.**
15. **Do not press the wireless activation button on the wireless unit too hard and/or press the button with an object with a sharp edge.**
16. **Always close the lid of the slot when operating.**
17. **Do not remove the wireless unit from the slot while the power is being supplied to the tool.** Doing so may cause a malfunction of the wireless unit.
18. **Do not remove the sticker on the wireless unit.**
19. **Do not put any sticker on the wireless unit.**
20. **Do not leave the wireless unit in a place where static electricity or electrical noise could be generated.**
21. **Do not leave the wireless unit in a place subject to high heat, such as a car sitting in the sun.**
22. **Do not leave the wireless unit in a dusty or powdery place or in a place corrosive gas could be generated.**
23. **Sudden change of the temperature may bedew the wireless unit. Do not use the wireless unit until the dew is completely dried.**

24. When cleaning the wireless unit, gently wipe with a dry soft cloth. Do not use benzine, thinner, conductive grease or the like.
25. When storing the wireless unit, keep it in the supplied case or a static-free container.
26. Do not insert any devices other than Makita wireless unit into the slot on the tool.
27. Do not use the tool with the lid of the slot damaged. Water, dust, and dirt come into the slot may cause malfunction.
28. Do not pull and/or twist the lid of the slot more than necessary. Restore the lid if it comes off from the tool.
29. Replace the lid of the slot if it is lost or damaged.

SAVE THESE INSTRUCTIONS.

FUNCTIONAL DESCRIPTION

CAUTION: Always be sure that the tool is switched off and the battery cartridge is removed before adjusting or checking function on the tool.

Installing or removing battery cartridge

CAUTION: Always switch off the tool before installing or removing of the battery cartridge.

CAUTION: Hold the tool and the battery cartridge firmly when installing or removing battery cartridge. Failure to hold the tool and the battery cartridge firmly may cause them to slip off your hands and result in damage to the tool and battery cartridge and a personal injury.

To remove the battery cartridge, slide it from the tool while sliding the button on the front of the cartridge.

► **Fig.1:** 1. Red indicator 2. Button 3. Battery cartridge

To install the battery cartridge, align the tongue on the battery cartridge with the groove in the housing and slip it into place. Insert it all the way until it locks in place with a little click. If you can see the red indicator on the upper side of the button, it is not locked completely.











CAUTION: Always install the battery cartridge fully until the red indicator cannot be seen. If not, it may accidentally fall out of the tool, causing injury to you or someone around you.

CAUTION: Do not install the battery cartridge forcibly. If the cartridge does not slide in easily, it is not being inserted correctly.

Indicating the remaining battery capacity

Press the check button on the battery cartridge to indicate the remaining battery capacity. The indicator lamps light up for a few seconds.

► **Fig.2:** 1. Indicator lamps 2. Check button

Indicator lamps			Remaining capacity
 Lighted	 Off	 Blinking	
			75% to 100%
			50% to 75%
			25% to 50%
			0% to 25%
			Charge the battery.
			The battery may have malfunctioned.
			

NOTE: Depending on the conditions of use and the ambient temperature, the indication may differ slightly from the actual capacity.

NOTE: The first (far left) indicator lamp will blink when the battery protection system works.

Tool / battery protection system

The tool is equipped with a tool/battery protection system. This system automatically cuts off power to the motor to extend tool and battery life. The tool will automatically stop during operation if the tool or battery is placed under one of the following conditions:

Overload protection

When the battery is operated in a manner that causes it to draw an abnormally high current, the tool automatically stops without any indication. In this situation, turn the tool off and stop the application that caused the tool to become overloaded. Then turn the tool on to restart.

Overheat protection

When the tool or battery is overheated, the tool stops automatically. In this case, let the tool and battery cool before turning the tool on again.

Overdischarge protection

When the battery capacity is not enough, the tool stops automatically. In this case, remove the battery from the tool and charge the battery.

Protections against other causes

Protection system is also designed for other causes that could damage the tool and allows the tool to stop automatically. Take all the following steps to clear the causes, when the tool has been brought to a temporary halt or stop in operation.

1. Turn the tool off, and then turn it on again to restart.
2. Charge the battery(ies) or replace it/them with recharged battery(ies).
3. Let the tool and battery(ies) cool down.

If no improvement can be found by restoring protection system, then contact your local Makita Service Center.

Switch action

To turn on the tool, press the lock/unlock button. The tool turns into the standby mode. To start the tool, press the start/stop button in the standby mode. To stop the tool, press the start/stop button again. The tool turns into the standby mode. To turn off the tool, press the lock/unlock button in the standby mode.

► **Fig.3:** 1. Lock/unlock button 2. Start/stop button

NOTE: If the tool is left for 10 seconds without any operation in the standby mode, the tool automatically turns off and the lamp goes off.

NOTE: You can also stop and turn off the tool by pressing the lock/unlock button while the tool is operating.

Lighting up the front lamp

CAUTION: Do not look in the light or see the source of light directly.

To turn on the lamp, press the lock/unlock button. To turn off the lamp, press the lock/unlock button again.

NOTICE: When the tool is overheated, the lamp blinks. Cool down the tool fully before operating the tool again.

NOTE: Use a dry cloth to wipe the dirt off the lens of the lamp. Be careful not to scratch the lens of lamp, or it may lower the illumination.

► **Fig.4:** 1. Lamp

Speed adjusting dial

The rotation speed of the tool can be changed by turning the speed adjusting dial. The table below shows the number on the dial and the corresponding rotation speed.

► **Fig.5:** 1. Speed adjusting dial

Number	Speed
1	10,000 min ⁻¹
2	15,000 min ⁻¹
3	21,000 min ⁻¹
4	26,000 min ⁻¹
5	31,000 min ⁻¹

CAUTION: Do not change the rotation speed during operation. Otherwise unexpected reaction of the tool may cause an injury.

NOTICE: If the tool is operated continuously at low speed for a long time, the motor will get overloaded, resulting in tool malfunction.

NOTICE: The speed adjusting dial can be turned only as far as 5 and back to 1. Do not force it past 5 or 1, or the speed adjusting function may no longer work.

Electronic function

The tool is equipped with the electronic functions for easy operation.

- Constant speed control
The speed control function provides the constant rotation speed regardless of load conditions.
- Soft start
The soft-start function minimizes start-up shock, and makes the tool start smoothly.
- Soft brake
The tool stops gently with the soft brake. The soft brake prevents damage to the workpiece due to recoil and allows you to start next operation earlier.

If the tool consistently fails to stop the trimmer bit after the switch is turned off, have the tool serviced at a Makita service center.

ASSEMBLY

CAUTION: Always be sure that the tool is switched off and the battery cartridge is removed before carrying out any work on the tool.

Installing or removing trimmer bit

NOTICE: Do not tighten the collet nut without installing a trimmer bit, or the collet cone may break.

Insert the trimmer bit all the way into the collet cone. Press the shaft lock and tighten the collet nut with the wrench.

► **Fig.6:** 1. Shaft lock 2. Loosen 3. Tighten 4. Wrench 5. Collet nut

You can also tighten the collet nut securely with the two wrenches.

► **Fig.7:** 1. Wrench 2. Loosen 3. Tighten 4. Collet nut

To remove the trimmer bit, follow the installation procedure in reverse.

NOTE: The shaft lock may not return to the original position when you tighten the collet nut in the installation of the trimmer bit. The shaft lock returns to the original position when you start the tool.

► **Fig.8:** 1. Shaft lock

Changing the collet cone

⚠ CAUTION: Use the correct size collet cone for the trimmer bit which you intended to use.

⚠ CAUTION: Do not tighten the collet nut without installing a trimmer bit, or the collet cone may break.

1. Loosen the collet nut and remove.
 2. Replace the installed collet cone with desired collet cone.
 3. Reinstall collet nut.
- **Fig.9:** 1. Collet cone 2. Collet nut

Installing or removing the trimmer base

1. Open the lock lever of the trimmer base, then insert the tool into the trimmer base aligning the groove on the tool with the protrusion on the trimmer base.
 2. Close the lock lever.
- **Fig.10:** 1. Lock lever

NOTE: You can use the trimmer base (resin) as an optional accessory as shown in the figure. When using the trimmer base (resin), loosen or tighten the thumb nut instead of opening or closing the lock lever.

Align the rack on the tool with the spur gear on the trimmer base.

► **Fig.11:** 1. Thumb nut 2. Rack 3. Spur gear

3. Attach the dust nozzle to the trimmer base, and then tighten the thumb screw.

► **Fig.12:** 1. Dust nozzle 2. Thumb screw

► **Fig.13**

To remove the base, follow the installation procedure in reverse.

⚠ CAUTION: When using the tool with the trimmer base, be sure to install the dust nozzle on the trimmer base.

Installing or removing the tilt base

Optional accessory

1. Open the lock lever of the tilt base, then insert the tool into the tilt base aligning the groove on the tool with the protrusion on the tilt base.
 2. Close the lock lever.
- **Fig.14:** 1. Lock lever

To remove the base, follow the installation procedure in reverse.

Installing or removing the offset base

Optional accessory

1. Press the shaft lock, then loosen the collet nut.
- **Fig.15:** 1. Collet nut 2. Shaft lock 3. Wrench
2. Remove the collet nut and the collet cone.
- **Fig.16:** 1. Collet nut 2. Collet cone
3. Install the pulley onto the tool by pressing the shaft lock and tightening the pulley with the wrench.
- **Fig.17:** 1. Wrench 2. Pulley 3. Shaft lock

4. Loosen the screws on the base plate, and then remove the base plate.

► **Fig.18:** 1. Base plate

5. Open the lock lever of the offset base, then attach the offset base to the tool.

► **Fig.19:** 1. Lock lever

6. Mount the belt to the pulley with a stick like a slotted screwdriver by rotating the belt manually.

► **Fig.20:** 1. Pulley 2. Belt

7. Close the lock lever.

► **Fig.21:** 1. Lock lever

8. Attach the base plate by tightening the screws.

► **Fig.22:** 1. Base plate

9. Insert the collet cone and the trimmer bit into the offset base, and then tighten the collet nut.

► **Fig.23:** 1. Trimmer bit 2. Collet nut 3. Collet cone

10. Insert the hex wrench into the hole of the offset base, and then tighten the collet nut with the wrench.

► **Fig.24:** 1. Collet nut 2. Wrench 3. Hex wrench

To remove the base, follow the installation procedure in reverse.

NOTE: You can also mount the belt to the pulley without removing the base plate as shown in the figure.

► **Fig.25:** 1. Pulley 2. Belt

Installing or removing the plunge base

Optional accessory

1. Open the lock lever of the plunge base, then insert the tool into the plunge base all the way aligning the groove on the tool with the protrusion on the plunge base.

2. Close the lock lever.

► **Fig.26:** 1. Lock lever

To remove the base, follow the installation procedure in reverse.

Installing or removing the parallel ruler on the plunge base

Optional accessory

Insert the guide bars into the holes in the plunge base, and then tighten the wing bolts. To remove the ruler, follow the installation procedure in reverse.

► **Fig.27:** 1. Wing bolt 2. Guide bar

Installing or removing the dust nozzle on the plunge base

Insert the dust nozzle into the plunge base so that the protrusion on the dust nozzle fits in the notch in the plunge base, and then tighten the thumb screw on the dust nozzle. To remove the nozzle, follow the installation procedure in reverse.

► **Fig.28:** 1. Protrusion 2. Dust nozzle 3. Thumb screw

► **Fig.29**

OPERATION

Adjusting cutting depth

To adjust the cutting depth, open the lock lever, then move the tool base up or down by turning the adjusting screw. After the adjustment, close the lock lever firmly.

► **Fig.30:** 1. Lock lever 2. Adjusting screw

NOTICE: If the tool is not secured after closing the lock lever, tighten the hex nut, and then close the lock lever.

► **Fig.31:** 1. Hex nut

Adjusting cutting depth with the plunge base

Optional accessory

1. Place the tool on the flat surface.
2. Select the stopper screw by rotating the stopper base.

► **Fig.32:** 1. Stopper screw 2. Stopper base

3. Loosen the fixing nut, then pull up the stopper pole while pressing the feed button.

► **Fig.33:** 1. Stopper pole 2. Fixing nut 3. Feed button

4. Push down the tool until the tip of the trimmer bit touches the flat surface, and then turn the fixing lever to secure the tool.

► **Fig.34:** 1. Fixing lever 2. Trimmer bit

5. Press down the stopper pole while pressing the feed button until it contacts the stopper screw.

► **Fig.35:** 1. Stopper pole 2. Stopper screw 3. Feed button

6. Slide the depth pointer so that the pointer indicates "0" on the scale.

► **Fig.36:** 1. Depth pointer

7. Adjust the cutting depth by pulling up the stopper pole while pressing the feed button.

► **Fig.37:** 1. Stopper pole 2. Feed button

8. To perform fine adjustment of the cutting depth, turn the dial on the stopper pole so that it indicates "0".

► **Fig.38:** 1. Dial

9. Turn the head of the stopper pole to obtain the desired depth. To increase the depth, turn the head counterclockwise. To decrease the depth, turn the head clockwise. (The depth changes by 1 mm per one revolution.)

► **Fig.39:** 1. Head of the stopper pole

10. Tighten the stopper pole fixing nut.

► **Fig.40:** 1. Fixing nut

11. Release the fixing lever.

► **Fig.41:** 1. Fixing lever

By pushing down the tool until the stopper pole meets the stopper screw, you can obtain the depth of cut which you adjusted by above procedure.

Using the tool with the trimmer base

Set the tool base on the workpiece without the trimmer bit making any contact. Turn the tool on and wait until the trimmer bit attains full speed. Move the tool forward over the workpiece surface. Keep the tool base flush while moving the tool.

When cutting the edge, be sure to keep the workpiece surface on the left side of the trimmer bit in the feed direction.

► **Fig.42**

NOTE: Before cutting on the actual workpiece, it is recommended to make a sample cut. The proper feed speed depends on the trimmer bit size, the kind of workpiece, and depth of cut. Moving the tool forward too fast may cause a poor quality of cut, or damage to the trimmer bit or motor. Moving the tool forward too slowly may burn and mar the cutting surface.

When using the trimmer shoe, the straight guide, or the trimmer guide, be sure to keep it on the right side in the feed direction. This will help to keep it flush with the side of the workpiece.

► **Fig.43:** 1. Trimmer bit 2. Workpiece 3. Straight guide

NOTICE: Since excessive cutting may cause overload of the motor or difficulty in controlling the tool, the depth of cut should not be more than 3 mm at a pass when cutting grooves. When you wish to cut grooves more than 3 mm deep, make several passes with progressively deeper trimmer bit settings.

Using the straight guide

1. Assemble the straight guide with the bolt and the wing nut.

► **Fig.44:** 1. Bolt 2. Wing nut

2. Attach the straight guide to the trimmer base with the clamp screw.

► **Fig.45:** 1. Clamp screw

3. Loosen the wing nut on the straight guide and adjust the distance between the trimmer bit and the straight guide. At the desired distance, tighten the wing nut.

► **Fig.46:** 1. Wing nut

4. Move the tool with the straight guide flush with the side of the workpiece.

► **Fig.47**

If the distance (A) between the side of the workpiece and the cutting position is too wide for the straight guide, or if the side of the workpiece is not straight, the straight guide cannot be used.

In this case, firmly clamp a straight board to the workpiece and use it as a guide against the trimmer base. Feed the tool in the direction of the arrow.

► **Fig.48**

Using the straight guide for circular work

For circular work, assemble the straight guide as shown in the figures. The minimum and maximum radius of circles to be cut (distance between the center of circle and the center of trimmer bit) are as follows:

- Minimum: 70 mm
- Maximum: 221 mm

For cutting circles between 70 mm and 121 mm in radius.

- **Fig.49:** 1. Center hole

For cutting circles between 121 mm and 221 mm in radius.

- **Fig.50:** 1. Center hole

NOTE: Circles between 172 mm and 186 mm in radius cannot be cut using this guide.

Align the center hole in the straight guide with the center of the circle to be cut. Drive a nail less than 6 mm in diameter into the center hole to secure the straight guide. Pivot the tool around the nail in the clockwise direction.

- **Fig.51:** 1. Nail 2. Center hole

Using the templet guide

The templet guide allows for repetitive cut with templet patterns by using a templet.

1. Loosen the screws on the base plate, and then remove the base plate from the trimmer base.

2. Place the templet guide on the base, and then attach the base plate by tightening the screws.

- **Fig.52:** 1. Base plate 2. Templet guide

3. Place the tool on the templet and move the tool so that the templet guide slides along the side of the templet.

- **Fig.53**

NOTE: The actual cut size on the workpiece is slightly different from the templet. The difference is the distance (X) between the trimmer bit and the outside of the templet guide. The distance (X) can be calculated by using the following equation:

Distance (X) = (outside diameter of templet guide - trimmer bit diameter) / 2

- **Fig.54:** 1. Trimmer bit 2. Templet guide 3. Distance (X) 4. Outside diameter of templet guide 5. Templet 6. Workpiece

Using the trimmer guide

Optional accessory

The trimmer guide allows for trimming the curved side like veneers for furniture by moving the guide roller along the side of the workpiece.

- **Fig.55**

1. Loosen the clamp screw, then install the trimmer guide on the trimmer base, and then tighten the clamp screw.

- **Fig.56:** 1. Clamp screw

2. Loosen the clamp screw and adjust the distance between the trimmer bit and the trimmer guide by turning the adjusting screw (1 mm per turn). At the desired distance, tighten the clamp screw to secure the trimmer guide.

- **Fig.57:** 1. Adjusting screw 2. Clamp screw

3. Move the tool with the guide roller riding the side of the workpiece.

- **Fig.58:** 1. Workpiece 2. Trimmer bit 3. Guide roller

Using the tool with the tilt base

The tilt base is used for trimming the edge of laminate sheet or similar materials.

The tilt base is convenient for chamfering. Loosen the wing screws, then tilt the tool at the desired angle, and then tighten the wing screws.

Firmly clamp a straight board to the workpiece and use it as a guide against the tilt base. Feed the tool in the direction of the arrow.

- **Fig.59:** 1. Wing screw

Using the tilt base plate with the trimmer base

To use the trimmer base with a square base plate, remove the base plate from the tilt base, and then attach it to the trimmer base.

- **Fig.60:** 1. Tilt base plate 2. Trimmer base plate

NOTICE: Use screws on the trimmer base when installing the tilt base plate. The screws on the tilt base are shorter than the screws on the trimmer base.

Using the tool with the offset base

The offset base is used for trimming the edge of laminate sheet or similar materials. The offset base is convenient for work in a tight area.

- **Fig.61**

Using the trimmer base with the offset base plate and grip

The offset base plate can also be used with a trimmer base and a grip attachment (optional accessory) for more stability.

1. Loosen the screws on the offset base plate, then remove the offset base plate from the offset base.

- **Fig.62:** 1. Offset base plate 2. Trimmer base plate

2. Attach the offset base plate to the trimmer base by tightening the screws.

3. Attach the grip attachment and the bar type grip to the offset base plate by tightening the screws.

- **Fig.63:** 1. Bar type grip 2. Grip attachment

The knob type grip removed from the plunge base can be installed on the offset base instead of the bar type grip.

- **Fig.64:** 1. Screw 2. Knob type grip

Using the tool with the plunge base

Always hold the grips firmly with both hands during operation. Operate the tool in the same way as the trimmer base.

Using the straight guide

Optional accessory

1. Install the straight guide to the guide holder by tightening the wing nut. Insert the guide holder into the holes in the plunge base, and then tighten the wing bolts.

► **Fig.65:** 1. Wing bolt 2. Guide holder 3. Wing nut 4. Straight guide

2. Loosen the wing nut on the straight guide and adjust the distance between the trimmer bit and the straight guide. At the desired distance, tighten the wing nut.

► **Fig.66:** 1. Wing nut

3. Operate the tool in the same way as the straight guide for the trimmer base.

► **Fig.67**

Using the templet guide

Optional accessory

1. Loosen the screws on the base and remove them. Place the templet guide on the base, and then tighten the screws.

► **Fig.68:** 1. Screw 2. Templet guide

2. Operate the tool in the same way as the templet guide for the trimmer base.

► **Fig.69**

Using the parallel ruler

The parallel ruler is effectively used for straight cuts when chamfering or grooving. Adjust the distance between the trimmer bit and the parallel ruler. At the desired distance, tighten the wing bolts to secure the parallel ruler. When cutting, move the tool with the parallel ruler flush with the side of the workpiece.

► **Fig.70**

If the distance (A) between the side of the workpiece and the cutting position is too wide for the parallel ruler, or if the side of the workpiece is not straight, the parallel ruler cannot be used.

In this case, firmly clamp a straight board to the workpiece and use it as a guide against the plunge base. Feed the tool in the direction of the arrow.

► **Fig.71**

Changing knob type grip to bar type grip

To install the bar type grip on the plunge base, loosen the screw of the knob type grip, then remove the knob type grip, and then install the bar type grip by tightening it.

► **Fig.72:** 1. Knob type grip 2. Screw 3. Bar type grip

WIRELESS ACTIVATION FUNCTION

What you can do with the wireless activation function

The wireless activation function enables clean and comfortable operation. By connecting a supported vacuum cleaner to the tool, you can run the vacuum cleaner automatically along with the switch operation of the tool.

► **Fig.73**

To use the wireless activation function, prepare following items:

- A wireless unit (optional accessory)
- A vacuum cleaner which supports the wireless activation function

The overview of the wireless activation function setting is as follows. Refer to each section for detail procedures.

1. Installing the wireless unit
2. Tool registration for the vacuum cleaner
3. Starting the wireless activation function

Installing the wireless unit

Optional accessory

CAUTION: Place the tool on a flat and stable surface when installing the wireless unit.

NOTICE: Clean the dust and dirt on the tool before installing the wireless unit. Dust or dirt may cause malfunction if it comes into the slot of the wireless unit.

NOTICE: To prevent the malfunction caused by static, touch a static discharging material, such as a metal part of the tool, before picking up the wireless unit.

NOTICE: When installing the wireless unit, always be sure that the wireless unit is inserted in the correct direction and the lid is completely closed.

1. Open the lid on the tool as shown in the figure.

► **Fig.74:** 1. Lid

2. Insert the wireless unit to the slot and then close the lid.

When inserting the wireless unit, align the projections with the recessed portions on the slot.

► **Fig.75:** 1. Wireless unit 2. Projection 3. Lid 4. Recessed portion

When removing the wireless unit, open the lid slowly. The hooks on the back of the lid will lift the wireless unit as you pull up the lid.

► **Fig.76:** 1. Wireless unit 2. Hook 3. Lid

After removing the wireless unit, keep it in the supplied case or a static-free container.

NOTICE: Always use the hooks on the back of the lid when removing the wireless unit. If the hooks do not catch the wireless unit, close the lid completely and open it slowly again.

Tool registration for the vacuum cleaner

NOTE: A Makita vacuum cleaner supporting the wireless activation function is required for the tool registration.

NOTE: Finish installing the wireless unit to the tool before starting the tool registration.

NOTE: During the tool registration, do not pull the switch trigger or turn on the power switch on the vacuum cleaner.

NOTE: Refer to the instruction manual of the vacuum cleaner, too.

If you wish to activate the vacuum cleaner along with the switch operation of the tool, finish the tool registration beforehand.

1. Install the batteries to the vacuum cleaner and the tool.
2. Set the stand-by switch on the vacuum cleaner to "AUTO".
▶ **Fig.77:** 1. Stand-by switch
3. Press the wireless activation button on the vacuum cleaner for 3 seconds until the wireless activation lamp blinks in green. And then press the wireless activation button on the tool in the same way.
▶ **Fig.78:** 1. Wireless activation button 2. Wireless activation lamp

If the vacuum cleaner and the tool are linked successfully, the wireless activation lamps will light up in green for 2 seconds and start blinking in blue.

NOTE: The wireless activation lamps finish blinking in green after 20 seconds elapsed. Press the wireless activation button on the tool while the wireless activation lamp on the cleaner is blinking. If the wireless activation lamp does not blink in green, push the wireless activation button briefly and hold it down again.

NOTE: When performing two or more tool registrations for one vacuum cleaner, finish the tool registration one by one.

Starting the wireless activation function

NOTE: Finish the tool registration for the vacuum cleaner prior to the wireless activation.

NOTE: Refer to the instruction manual of the vacuum cleaner, too.

After registering a tool to the vacuum cleaner, the vacuum cleaner will automatically runs along with the switch operation of the tool.

1. Install the wireless unit to the tool.
2. Connect the hose of the vacuum cleaner with the tool.
▶ **Fig.79**
3. Set the stand-by switch on the vacuum cleaner to "AUTO".
▶ **Fig.80:** 1. Stand-by switch

4. Push the wireless activation button on the tool briefly. The wireless activation lamp will blink in blue.

▶ **Fig.81:** 1. Wireless activation button 2. Wireless activation lamp

5. Turn on the tool. Check if the vacuum cleaner runs while the tool is operating.

To stop the wireless activation of the vacuum cleaner, push the wireless activation button on the tool.

NOTE: The wireless activation lamp on the tool will stop blinking in blue when there is no operation for 2 hours. In this case, set the stand-by switch on the vacuum cleaner to "AUTO" and push the wireless activation button on the tool again.

NOTE: The vacuum cleaner starts/stops with a delay. There is a time lag when the vacuum cleaner detects a switch operation of the tool.










NOTE: The transmission distance of the wireless unit may vary depending on the location and surrounding circumstances.

NOTE: When two or more tools are registered to one vacuum cleaner, the vacuum cleaner may start running even if you do not turn on your tool because another user is using the wireless activation function.

Description of the wireless activation lamp status

► Fig.82: 1. Wireless activation lamp

The wireless activation lamp shows the status of the wireless activation function. Refer to the table below for the meaning of the lamp status.

Status	Wireless activation lamp				Description
	Color	 On	 Blinking	Duration	
Standby	Blue			2 hours	The wireless activation of the vacuum cleaner is available. The lamp will automatically turn off when no operation is performed for 2 hours.
				When the tool is running.	The wireless activation of the vacuum cleaner is available and the tool is running.
Tool registration	Green			20 seconds	Ready for the tool registration. Waiting for the registration by the vacuum cleaner.
				2 seconds	The tool registration has been finished. The wireless activation lamp will start blinking in blue.
Cancelling tool registration	Red			20 seconds	Ready for the cancellation of the tool registration. Waiting for the cancellation by the vacuum cleaner.
				2 seconds	The cancellation of the tool registration has been finished. The wireless activation lamp will start blinking in blue.
Others	Red			3 seconds	The power is supplied to the wireless unit and the wireless activation function is starting up.
	Off	-		-	The wireless activation of the vacuum cleaner is stopped.

Cancelling tool registration for the vacuum cleaner

Perform the following procedure when cancelling the tool registration for the vacuum cleaner.

1. Install the batteries to the vacuum cleaner and the tool.
2. Set the stand-by switch on the vacuum cleaner to "AUTO".

► Fig.83: 1. Stand-by switch

3. Press the wireless activation button on the vacuum cleaner for 6 seconds. The wireless activation lamp blinks in green and then become red. After that, press the wireless activation button on the tool in the same way.

► Fig.84: 1. Wireless activation button 2. Wireless activation lamp

If the cancellation is performed successfully, the wireless activation lamps will light up in red for 2 seconds and start blinking in blue.

NOTE: The wireless activation lamps finish blinking in red after 20 seconds elapsed. Press the wireless activation button on the tool while the wireless activation lamp on the cleaner is blinking. If the wireless activation lamp does not blink in red, push the wireless activation button briefly and hold it down again.

Troubleshooting for wireless activation function

Before asking for repairs, conduct your own inspection first. If you find a problem that is not explained in the manual, do not attempt to dismantle the tool. Instead, ask Makita Authorized Service Centers, always using Makita replacement parts for repairs.

State of abnormality	Probable cause (malfunction)	Remedy
The wireless activation lamp does not light/blink.	The wireless unit is not installed into the tool. The wireless unit is improperly installed into the tool.	Install the wireless unit correctly.
	The terminal of the wireless unit and/or the slot is dirty.	Gently wipe off dust and dirt on the terminal of the wireless unit and clean the slot.
	The wireless activation button on the tool has not been pushed.	Push the wireless activation button on the tool briefly.
	The stand-by switch on the vacuum cleaner is not set to "AUTO".	Set the stand-by switch on the vacuum cleaner to "AUTO".
	No power supply	Supply the power to the tool and the vacuum cleaner.
Cannot finish tool registration / cancelling tool registration successfully.	The wireless unit is not installed into the tool. The wireless unit is improperly installed into the tool.	Install the wireless unit correctly.
	The terminal of the wireless unit and/or the slot is dirty.	Gently wipe off dust and dirt on the terminal of the wireless unit and clean the slot.
	The stand-by switch on the vacuum cleaner is not set to "AUTO".	Set the stand-by switch on the vacuum cleaner to "AUTO".
	No power supply	Supply the power to the tool and the vacuum cleaner.
	Incorrect operation	Push the wireless activation button briefly and perform the tool registration/cancellation procedures again.
	The tool and vacuum cleaner are away from each other (out of the transmission range).	Get the tool and vacuum cleaner closer to each other. The maximum transmission distance is approximately 10 m however it may vary according to the circumstances.
	Before finishing the tool registration/cancellation; - the switch of the tool is turned on or; - the power button on the vacuum cleaner is turned on.	Push the wireless activation button briefly and perform the tool registration/cancellation procedures again.
	The tool registration procedures for the tool or vacuum cleaner have not finished.	Perform the tool registration procedures for both the tool and the vacuum cleaner at the same timing.
	Radio disturbance by other appliances which generate high-intensity radio waves.	Keep the tool and vacuum cleaner away from the appliances such as Wi-Fi devices and microwave ovens.
The vacuum cleaner does not run along with the switch operation of the tool.	The wireless unit is not installed into the tool. The wireless unit is improperly installed into the tool.	Install the wireless unit correctly.
	The terminal of the wireless unit and/or the slot is dirty.	Gently wipe off dust and dirt on the terminal of the wireless unit and clean the slot.
	The wireless activation button on the tool has not been pushed.	Push the wireless activation button briefly and make sure that the wireless activation lamp is blinking in blue.
	The stand-by switch on the vacuum cleaner is not set to "AUTO".	Set the stand-by switch on the vacuum cleaner to "AUTO".
	More than 10 tools are registered to the vacuum cleaner.	Perform the tool registration again. If more than 10 tools are registered to the vacuum cleaner, the tool registered earliest will be cancelled automatically.
	The vacuum cleaner erased all tool registrations.	Perform the tool registration again.
	No power supply	Supply the power to the tool and the vacuum cleaner.
	The tool and vacuum cleaner are away from each other (out of the transmission range).	Get the tool and vacuum cleaner closer each other. The maximum transmission distance is approximately 10 m however it may vary according to the circumstances.
	Radio disturbance by other appliances which generate high-intensity radio waves.	Keep the tool and vacuum cleaner away from the appliances such as Wi-Fi devices and microwave ovens.
The vacuum cleaner runs while the tool is not operating.	Other users are using the wireless activation of the vacuum cleaner with their tools.	Turn off the wireless activation button of the other tools or cancel the tool registration of the other tools.

MAINTENANCE

⚠ CAUTION: Always be sure that the tool is switched off and the battery cartridge is removed before attempting to perform inspection or maintenance.

NOTICE: Never use gasoline, benzene, thinner, alcohol or the like. Discoloration, deformation or cracks may result.

To maintain product SAFETY and RELIABILITY, repairs, any other maintenance or adjustment should be performed by Makita Authorized or Factory Service Centers, always using Makita replacement parts.

TRIMMER BITS

Optional accessory

Straight bit

► Fig.85

D	A	L1	L2
6	20	50	15
6	6	50	18
6	8	50	18
8	8	60	25
1/4"	20	50	15
1/4"	6	50	18
1/4"	8	50	18

Unit:mm

U-grooving bit

► Fig.86

D	A	L1	L2	R
6	6	50	18	3
1/4"	6	50	18	3

Unit:mm

V-grooving bit

► Fig.87

D	A	L1	L2	θ
6	20	50	15	90°
1/4"	20	50	15	90°

Unit:mm

Drill point flush trimming bit

► Fig.88

D	A	L1	L2	L3
6	6	60	18	28
8	8	60	20	35
1/4"	6	60	18	28

Unit:mm

Drill point double flush trimming bit

► Fig.89

D	A	L1	L2	L3	L4
6	6	70	40	12	14
8	8	80	55	20	25
1/4"	6	70	40	12	14

Unit:mm

Corner rounding bit

► Fig.90

D	A1	A2	L1	L2	L3	R
6	25	9	48	13	5	8
6	20	8	45	10	4	4
1/4"	25	9	48	13	5	8
1/4"	20	8	45	10	4	4

Unit:mm

Chamfering bit

► Fig.91

D	A	L1	L2	L3	θ
6	23	46	11	6	30°
6	20	50	13	5	45°
6	20	49	14	2	60°
1/4"	23	46	11	6	30°
1/4"	20	48	13	5	45°
1/4"	20	49	14	2	60°

Unit:mm

Cove beading bit

► Fig.92

D	A	L1	L2	R
6	20	43	8	4
6	25	48	13	8
1/4"	20	43	8	4
1/4"	25	48	13	8

Unit:mm

Dovetail bit

► Fig.93

D	A	L1	L2	θ
8	12	50	9	30°
8	14.5	55	10	35°
8	14.5	55	14.5	23°
1/4"	12	50	9	30°
1/4"	14.5	55	10	35°
1/4"	14.5	55	14.5	23°

Unit:mm

Ball bearing flush trimming bit**► Fig.94**

D	A	L1	L2
6	10	50	20
1/4"	10	50	20

Unit:mm

Ball bearing beading bit**► Fig.95**

D	A1	A2	A3	L1	L2	L3	R
6	20	12	8	40	10	5.5	4
6	26	12	8	42	12	4.5	7
1/4"	20	12	8	40	10	5.5	4
1/4"	26	12	8	42	12	4.5	7

Unit:mm

Ball bearing corner rounding bit**► Fig.96**

D	A1	A2	L1	L2	L3	R
6	15	8	37	7	3.5	3
6	21	8	40	10	3.5	6
1/4"	15	8	37	7	3.5	3
1/4"	21	8	40	10	3.5	6

Unit:mm

Ball bearing chamfering bit**► Fig.97**

D	A1	A2	L1	L2	θ
6	26	8	42	12	45°
6	20	8	41	11	60°
1/4"	26	8	42	12	45°
1/4"	20	8	41	11	60°

Unit:mm

Ball bearing cove beading bit**► Fig.98**

D	A1	A2	A3	A4	L1	L2	L3	R
6	20	18	12	8	40	10	5.5	3
6	26	22	12	8	42	12	5	5
1/4"	20	18	12	8	40	10	5.5	3
1/4"	26	22	12	8	42	12	5	5

Unit:mm

Ball bearing roman ogee bit**► Fig.99**

D	A1	A2	L1	L2	L3	R1	R2
6	20	8	40	10	4.5	2.5	4.5
6	26	8	42	12	4.5	3	6
1/4"	20	8	40	10	4.5	2.5	4.5
1/4"	26	8	42	12	4.5	3	6

Unit:mm

OPTIONAL ACCESSORIES

CAUTION: These accessories or attachments are recommended for use with your Makita tool specified in this manual. The use of any other accessories or attachments might present a risk of injury to persons. Only use accessory or attachment for its stated purpose.

If you need any assistance for more details regarding these accessories, ask your local Makita Service Center.

- Straight and groove forming bits
- Edge forming bits
- Laminate trimming bits
- Straight guide assembly
- Trimmer guide assembly
- Trimmer base assembly
- Trimmer base assembly (resin)
- Tilt base assembly
- Plunge base assembly
- Offset base assembly
- Grip attachment
- Templet guide
- Collet cone
- Wrench 13
- Wrench 22
- Wireless unit
- Makita genuine battery and charger

NOTE: Some items in the list may be included in the tool package as standard accessories. They may differ from country to country.

Accessories applicable to this trimmer

The tool can be used with the following accessories for a variety of purposes.

Some accessories are not available in your country.

► Fig.100

1. **Trimmer base** (metal)
2. **Trimmer base** (resin)
Clear visibility of the cut.
3. **Tilt base**
4. **Offset base**
5. **Plunge base**
6. **Grip attachment**
7. **Templet guide**
8. **Straight guide**
9. **Trimmer guide**
10. **Trimmer shoe**
Enables accurate edge works. *Use with parts of the trimmer guide.
11. **Dust nozzle**
12. **Base plate** (metal)
13. **Square base plate** (base plate of the tilt base)
14. **Offset base plate** (base plate of the offset base)
By using the offset base plate with the grip attachment, grip can be attached.
15. **Base plate** (resin)
16. **Grip base**
17. **Bar type grip**
18. **Knob type grip** (grip of the plunge base)
19. **Dust nozzle** for the plunge base
20. **Templet guide** for the plunge base
21. **Guide holder**
This allows the straight guide for the trimmer base to be used on the plunge base.
22. **Parallel ruler**
Fine adjustment function of positioning.
23. **Parallel ruler**
24. **Guide rail adapter**
25. **Guide rail**
For accurate straight cutting.
26. **Bevel guide**
For angle adjustment of the guide rail.
27. **Guide rail joint connector** (2 pcs.)
For jointing two guide rails.
28. **Clamp** (standard type)
For fixation of the guide rail.
29. **Clamp** (quick type)
For fixation of the guide rail.
30. **Seat**
Repair parts of the guide rail for upper plastic tape.
31. **Rubber seat**
Repair parts of the guide rail for lower rubber tape.
32. **Position seat**
Repair parts of the guide rail for position seat.

► Fig.101

SPECIFIKATIONER

Modell:		RT001G
Spännhylschuckens kapacitet		6 mm, 8 mm eller 1/4"
Hastighet utan belastning		10 000 - 31 000 min ⁻¹
Total höjd	med BL4025	245 mm
	med BL4040	251 mm
Märkspänning		36 V - 40 V likström max
Nettovikt		2,2 - 2,5 kg

- På grund av vårt pågående program för forskning och utveckling kan dessa specifikationer ändras utan föregående meddelande.
- Specifikationer och batterikassett kan variera mellan olika länder.
- Vikten kan variera beroende på tillbehören, inklusive batterikassett. Den lättaste och den tyngsta kombinationen enligt EPTA-procedur 01/2014 visas i tabellen.

Tillgänglig batterikassett och laddare

Batterikassett	BL4020 / BL4025 / BL4040
Laddare	DC40RA / DC40RB / DC40RC

- Vissa av batterikassetterna och laddarna på listan ovan kanske inte finns tillgängliga i din region.

⚠ VARNING: Använd endast batterikassetter och laddare från listan ovan. Användning av andra batterikassetter och laddare kan orsaka personskada och/eller brand.

Avsedd användning

Verktyget är avsett för trimning och profilering av trä, plast och liknande material.

Buller

Den normala bullernivån för A-belastning är bestämd enligt EN62841-2-17:

Arbetsläge: rotation utan belastning

Ljudtrycksnivå (L_{pA}): 81 dB (A)

Ljudeffektnivå (L_{WA}): 92 dB (A)

Måttolerans (K): 3 dB (A)

OBS: Det deklarerade bullervärdet har uppmätts i enlighet med standardtestmetoden och kan användas för jämförandet av en maskin med en annan.

OBS: Det deklarerade bulleremissionsvärdet kan också användas i en preliminär bedömning av exponering för vibration.

⚠ VARNING: Använd hörselskydd.

⚠ VARNING: Bulleremissionen under faktisk användning av maskinen kan skilja sig från det deklarerade värdet, beroende på hur maskinen används och särskilt vilken typ av arbetsstycke som behandlas.

⚠ VARNING: Var noga med att identifiera säkerhetsåtgärder för att skydda användaren, vilka är grundade på en uppskattning av graden av exponering för vibrationer under de faktiska användningsförhållandena, (ta, förutom avtryckartiden, med alla delar av användarcykeln i beräkningen, som till exempel tiden då maskinen är avstängd och när den går på tomgång).

Vibration

Det totala vibrationsvärdet (treaxlad vektorsumma) bestämt enligt EN62841-2-17:

Arbetsläge: rotation utan belastning

Vibrationsemission (a_{h1}): 2,5 m/s² eller lägre

Måttolerans (K): 1,5 m/s²

OBS: Det deklarerade totala vibrationsvärdet har uppmätts i enlighet med standardtestmetoden och kan användas för jämförandet av en maskin med en annan.

OBS: Det deklarerade totala vibrationsvärdet kan också användas i en preliminär bedömning av exponering för vibration.

⚠ VARNING: Vibrationsemissionen under faktisk användning av maskinen kan skilja sig från det deklarerade värdet, beroende på hur maskinen används och särskilt vilken typ av arbetsstycke som behandlas.

⚠ VARNING: Var noga med att identifiera säkerhetsåtgärder för att skydda användaren, vilka är grundade på en uppskattning av graden av exponering för vibrationer under de faktiska användningsförhållandena, (ta, förutom avtryckartiden, med alla delar av användarcykeln i beräkningen, som till exempel tiden då maskinen är avstängd och när den går på tomgång).

EG-försäkran om överensstämmelse

Gäller endast inom EU

EG-försäkran om överensstämmelse inkluderas som bilaga A till denna bruksanvisning.

SÄKERHETSVARNINGAR

Allmänna säkerhetsvarningar för maskiner

⚠ VARNING: Läs alla säkerhetsvarningar, anvisningar, illustrationer och specifikationer som medföljer det här maskinen. Underlåtenhet att följa instruktionerna kan leda till elstötar, brand och/eller allvarliga personskador.

Spara alla varningar och instruktioner för framtida referens.

Termen "maskin" som anges i varningarna hänvisar till din eldrivna maskin (sladdansluten) eller batteridrivna maskin (sladdlös).

Säkerhetsvarningar för batteridrivna kantfräs

1. Använd tvingar eller liknande för att säkra och stödja arbetsstycket på ett stabilt underlag. Att hålla arbetsstycket i händerna eller mot kroppen ger inte tillräckligt stöd, och du riskerar då att förlora kontrollen.
2. Håll endast i elverktygets isolerade greppytter eftersom skärverktyget kan komma i kontakt med dolda kablar. Om elverktyget kommer i kontakt med en strömförande ledning blir dess metalldelar strömförande och kan ge operatören en elektrisk stöt.
3. Använd endast ett fråshuvud som är klassat för minst den maxhastighet som står på verktyget. Om verktyget har variabel hastighetskontroll ska verktygets hastighet ställas in på en lägre hastighet än märkhastigheten för fråshuvudet.
4. Fråshuvudets skaft måste stämma med den angivna spännhylschucken.
5. Använd hörselskydd vid längre tids användning.
6. Iaktta försiktighet vid hantering av fråshuvuden.
7. Kontrollera att fråshuvudet inte är sprucket eller skadat före användning. Byt omedelbart ut ett skadat eller sprucket fråshuvud.
8. Undvik att säga in spik. Kontrollera arbetsstycket och ta bort alla spikar före arbetet påbörjas.
9. Håll verktyget i ett fast grepp.
10. Håll händerna på behörigt avstånd från roterande delar.
11. Se till att fråshuvudet inte kommer i kontakt med arbetsstycket innan strömbrytaren slagits på.
12. Låt verktyget vara igång en stund innan den används på arbetsstycket. Kontrollera att det inte förekommer vibrationer eller kast som indikerar att fråshuvudet monterats felaktigt.
13. Kontrollera fråshuvudets rotations- och matningsriktning.
14. Lämna inte verktyget igång. Använd endast verktyget när du håller det i händerna.

15. Stäng alltid av verktyget och vänta tills fråshuvudet har stannat helt innan du avlägsnar verktyget från arbetsstycket.
16. Rör inte vid fråshuvudet omedelbart efter avslutat arbete. Det kan vara extremt varmt och orsaka brännskador.
17. Smörj inte bottenplattan världslost med förtunningsmedel, bensin, olja eller liknande. Det kan orsaka sprickor i bottenplattan.
18. Använd fråshuvuden med en skaftdiameter som passar verktygets hastighet.
19. Vissa material kan innehålla giftiga kemikalier. Se till att du inte andas in dammet från kemikalier eller får något på huden. Följ anvisningarna i leverantörens materialsäkerhetsblad.
20. Använd alltid dammask eller andningsrespirator som är anpassad efter det material du arbetar med och de förhållanden du arbetar under.

SPARA DESSA ANVISNINGAR.

⚠ VARNING: GLÖM INTE att också fortsättningsvis strikt följa säkerhetsanvisningarna för maskinen även efter att du blivit van att använda den. Vid FELAKTIG HANTERING av maskinen eller om inte säkerhetsanvisningarna i denna bruksanvisning följs kan följden bli allvariga personskador.

Viktiga säkerhetsanvisningar för batterikassetten

1. Innan batterikassetten används ska alla instruktioner och varningsmärken på (1) batteriladdaren, (2) batteriet och (3) produkten läsas.
2. Montera inte isär eller mixtra med batterikassetten. Det kan leda till brand, överdriven värme eller explosion.
3. Om drifttiden blivit avsevärt kortare ska användningen avbrytas omedelbart. Det kan uppstå överhettning, brännskador och t o m en explosion.
4. Om du får elektrolyt i ögonen ska de sköljas med rent vatten och läkare uppsökas omedelbart. Det finns risk för att synen förloras.
5. Kortslut inte batterikassetten.
 - (1) Rör inte vid polerna med något strömförande material.
 - (2) Undvik att förvara batterikassetten tillsammans med andra metallobjekt som t.ex. spikar, mynt o.s.v.
 - (3) Skydda batteriet mot vatten och regn. En batterikortslutning kan orsaka ett stort strömflöde, överhettning, brand och maskinhaveri.
6. Förvara och använd inte verktyget och batterikassetten på platser där temperaturen kan nå eller överstiga 50 °C.
7. Bränn inte upp batterikassetten även om den är svårt skadad eller helt utsliten. Batterikassetten kan explodera i öppen eld.

8. **Spika inte i, krossa, kasta, tappa eller slå batterikassetten mot hårda föremål.** Dylåka händelser kan leda till brand, överdriven värme eller explosion.
9. **Använd inte ett skadat batteri.**
10. **De medföljande litiumjonbatterierna är föremål för kraven i gällande lagstiftning för farligt gods.** För kommersiella transporter (av t.ex. tredje parter som speditiönsfirmor) måste de särskilda transportkrav som anges på emballaget och etiketter iakttas. För att förbereda den produkt som ska avsändas krävs att du konsulterar en expert på riskmaterial. Var också uppmärksam på att det i ditt land kan finnas ytterligare föreskrifter att följa. Tejpa över eller maskera blottade kontakter och packa batteriet på sådant sätt att det inte kan röra sig fritt i förpackningen.
11. **När batterikassetten ska kasseras måste den tas bort från maskinen och kasseras på ett säkert sätt. Följ lokala föreskrifter beträffande avfallshantering av batterier.**
12. **Använd endast batterierna med de produkter som specificerats av Makita.** Att använda batterierna med ej godkända produkter kan leda till brand, överdriven värme, explosion eller utläckande elektrolyt.
13. **Om maskinen inte används under en lång tid måste batteriet tas bort från maskinen.**
14. **Under och efter användning kan batterikassetten bli het vilket kan orsaka brännskador eller lättare brännskador.** Var uppmärksam på hur du hanterar varma batterikassetter.
15. **Vidrör inte verktygets kontakter direkt efter användning eftersom de kan bli heta och orsaka brännskador.**
16. **Låt inte flisor, damm eller smuts fastna i kontaktarna, i håll eller spår i batterikassetten.** Det kan leda till att verktyget eller batterikassetten värms upp, fattar eld, går sönder eller inte fungerar som de ska, vilket kan orsaka brännskador eller personsador.
17. **Såvida inte verktyget stöder arbeten i närheten av högspänningsledning får batterikassetten inte användas i närheten av en högspänningsledning.** Det kan leda till att verktyget eller batterikassetten går sönder eller inte fungerar korrekt.
18. **Förvara batteriet utom räckhåll för barn.**

SPARA DESSA ANVISNINGAR.

⚠ FÖRSIKTIGT: Använda endast äkta Makita-batterier. Användning av oäkta Makita-batterier eller batterier som har manipulerats kan leda till person- och utrustningssador eller till att batteriet fattar eld. Det upphäver också Makitas garanti för verktyget och laddaren.

Tips för att uppnå batteriets maximala livslängd

1. Ladda batterikassetten innan den är helt urladdad. Stanna alltid maskinen och ladda batterikassetten när du märker att maskinen blir svagare.
2. Ladda aldrig en fulladdad batterikasset. Överladdning förkortar batteriets livslängd.

3. Ladda batterikassetten vid en rumstemperatur på 10 °C - 40 °C. Låt en varm batterikasset svalna innan den laddas.
4. När batterikassetten inte används ska den tas bort från verktyget eller laddaren.
5. Ladda batterikassetten om du inte har använt den på länge (mer än sex månader).

Viktiga säkerhetsanvisningar för den trådlösa enheten

1. **Montera inte isär eller manipulera den trådlösa enheten.**
2. **Förvara den trådlösa enheten utom räckhåll för barn.** Om den råkar sväljas, sök omedelbart läkarhjälp.
3. **Använd den trådlösa enheten endast ihop med Makita-verktyg.**
4. **Utsätt inte den trådlösa enheten för regn eller våta förhållanden.**
5. **Använd inte den trådlösa enheten på platser där temperaturen överstiger 50 °C.**
6. **Använd inte den trådlösa enheten på platser där medicinska instrument som pacemakers finns i närheten.**
7. **Använd inte den trådlösa enheten på platser där automatiska enheter finns i närheten.** Om de är igång kan automatiska enheter utveckla funktionsstörningar eller fel.
8. **Använd inte den trådlösa enheten på platser med hög temperatur eller där det kan skapas statisk elektricitet eller elektriskt brus.**
9. **Den trådlösa enheten kan alstra elektromagnetiska fält (EMF) men dessa är inte skadliga för användaren.**
10. **Den trådlösa enheten är ett noggrant instrument.** Var försiktig så att du inte råkar tappa den trådlösa enheten eller utsätta den för stötar.
11. **Undvik att vidröra den trådlösa enhetens terminal med bara händer eller metallmaterial.**
12. **Ta alltid bort batteriet på produkten när du installerar den trådlösa enheten på den.**
13. **När du öppnar skärans lock, undvik då det ställe där damm och vatten kan komma in i skärans. Håll alltid skärans inlopp rent.**
14. **Sätt alltid in den trådlösa enheten i rätt riktning.**
15. **Tryck inte för hårt på knappen för trådlös aktivering på den trådlösa enheten, och tryck inte på knappen med ett föremål med vass kant.**
16. **Stäng alltid skärans lock vid körning.**
17. **Ta inte bort den trådlösa enheten från skärans medan ström tillförs till verktyget.** Att göra det kan orsaka funktionsfel på den trådlösa enheten.
18. **Ta inte bort dekalen på den trådlösa enheten.**
19. **Sätt inte någon dekal på den trådlösa enheten.**
20. **Lämna inte den trådlösa enheten någonstans där det kan skapas statisk elektricitet eller elektriskt brus.**
21. **Lämna inte den trådlösa enheten någonstans där den utsätts för hög värme, t.ex. en bil i solen.**

22. Lämna inte den trådlösa enheten på ett dammigt eller pulvrigt ställe eller någonstans där korrosiv gas kan bildas.
23. Plötsliga temperaturförändringar kan göra den trådlösa enheten daggbestänkt. Använd inte den trådlösa enheten förrän dagen helt har torkat bort.
24. När den trådlösa enheten rengörs, torka den då med en torr mjuk duk. Använd inte tvättbensin, thinner, konduktivt fett eller liknande.
25. När den trådlösa enheten ska tas i förvar, ha den då i det tillhörande fodralet eller en behållare med skydd mot statisk laddning.
26. Sätt inte in några andra enheter än den trådlösa Makita-enheten i skåran på verktyget.
27. Använd inte verktyget om skårens lock är skadat. Det kan komma in vatten, damm och smuts i skåran som orsakar funktionsfel.
28. Dra eller vrid inte skårens lock mer än nödvändigt. Sätt tillbaka locket om det lossnar från verktyget.
29. Ersätt skårens lock om det går förlorat eller skadas.

SPARA DESSA ANVISNINGAR.

FUNKTIONSBESKRIVNING

⚠ FÖRSIKTIGT: Se alltid till att maskinen är avstängd och batterikassetten borttagen innan du justerar maskinen eller kontrollerar dess funktioner.

Montera eller demontera batterikassetten

⚠ FÖRSIKTIGT: Stäng alltid av maskinen innan du monterar eller tar bort batterikassetten.

⚠ FÖRSIKTIGT: Håll stadigt i maskinen och batterikassetten när du monterar eller tar bort batterikassetten. I annat fall kan det leda till att de glider ur dina händer och orsakar skada på maskinen och batterikassetten samt personskada.

Ta bort batterikassetten genom att skjuta ner knappen på kassetten framsida samtidigt som du drar ut batterikassetten.

► **Fig.1:** 1. Röd indikator 2. Knapp 3. Batterikassetten

Sätt i batterikassetten genom att rikta in tungan på batterikassetten mot spåret i höljet och skjuta den på plats. Tryck in kassetten hela vägen tills den låser fast med ett klick. Om du kan se den röda indikatorn på knappens ovansida är den inte låst ordentligt.

⚠ FÖRSIKTIGT: Sätt alltid i batterikassetten helt tills den röda indikatorn inte längre syns. I annat fall kan den oavvänt falla ur verktyget och skada dig eller någon annan.

⚠ FÖRSIKTIGT: Montera inte batterikassetten med våld. Om kassetten inte lätt glider på plats är den felinsatt.

Indikerar kvarvarande batterikapacitet

Tryck på kontrollknappen på batterikassetten för att se kvarvarande batterikapacitet. Indikatorlamporna lyser i ett par sekunder.

► **Fig.2:** 1. Indikatorlampor 2. Kontrollknapp

Indikatorlampor			Kvarvarande kapacitet
Upplyst	Av	Blinkar	
■ ■ ■ ■	□	◐	75% till 100%
■ ■ ■ □	□	□	50% till 75%
■ ■ □ □	□	□	25% till 50%
■ □ □ □	□	□	0% till 25%
◐ □ □ □	□	□	Ladda batteriet.
■ ■ □ □	□	□	Batteriet kan ha skadats.
□ □ ■ ■	□	□	

OBS: Beroende på användningsförhållanden och den omgivande temperaturen kan indikationen skilja sig lätt från den faktiska batterikapaciteten.

OBS: Den första (längst till vänster) indikatorlampan kommer att blinka när batteriskyddssystemet fungerar.

Skyddssystem för maskinen/ batteriet

Verktyget är utrustat med ett skyddssystem för verktyget/batteriet. Detta system bryter automatiskt strömmen till motorn för att förlänga verktygets och batteriets livslängd. Verktyget stoppar automatiskt under användningen om verktyget eller batteriet hamnar i en av följande situationer:

Överbelastningsskydd

Om batteriet används på ett sätt som gör att det drar onormalt mycket ström kan det stoppas automatiskt utan någon varning. När detta sker stänger du av verktyget och upphör med arbetet som gjorde att verktyget överbelastades. Starta därefter verktyget igen.

Överhettningsskydd

Om verktyget eller batteriet överhettas stoppas verktyget automatiskt. I sådana fall ska du låta verktyget och batteriet svalna innan du startar verktyget igen.

Överurladdningsskydd

När batteriets kapacitet är otillräcklig stoppar maskinen automatiskt. I sådant fall ska batteriet tas ur maskinen och laddas.

Skydd mot andra orsaker

Skyddssystemet är också utvecklat för att hantera andra orsaker som skulle kunna skada verktyget och tillåter verktyget att stanna automatiskt. Ta följande steg för att åtgärda felen när verktyget stannat temporärt eller helt.

1. Stäng av verktyget och starta sedan upp den igen för att starta om.
2. Laddning av batteriet/batterierna och ersätt det/ dem med laddade batteri(er).
3. Låt verktyget och batteri(erna) svalna.

Om ingen förbättring kan hittas genom att återställa skyddssystemet, kontakta ditt lokala Makita Service Center.

Avtryckarens funktion

Tryck på lås-/upplåsningsknappen för att starta maskinen. Maskinen går till standby-läge. För att starta maskinen i standby-läge, tryck på start-/stopppknappen. Tryck en gång till på start-/stopppknappen för att stoppa maskinen. Maskinen går till standby-läge. För att stänga av maskinen i standby-läge, tryck på lås-/upplåsningsknappen.

► **Fig.3:** 1. Lås-/upplåsningsknapp 2. Start-/stopppknapp

OBS: Om maskinen lämnas i 10 sekunder utan några åtgärder i standbyläge, stängs maskinen automatiskt av och lampan släcks.

OBS: Du kan även stoppa och stänga av maskinen genom att trycka på lås-/upplåsningsknappen när maskinen används.

Tända frontlampan

⚠FÖRSIKTIGT: Titta inte in i ljuset eller direkt i ljuskällan.

Tryck på lås-/upplåsningsknappen för att släcka lampan. Tryck på lås-/upplåsningsknappen igen för att tända lampan.

OBSERVERA: Lampan blinkar när verktyget är överhettat. Låt verktyget svalna fullständigt innan det används igen.

OBS: Använd en torr trasa för att torka bort smuts från lampglaset. Var försiktig så att inte lampglaset repas eftersom ljuset då kan bli svagare.

► **Fig.4:** 1. Lampa

Ratt för hastighetsinställning

Maskinens rotationshastighet kan ändras genom att vrida på ratten för hastighetsinställning. Tabellen nedan visar rattens nummer och motsvarande hastighet.

► **Fig.5:** 1. Ratt för hastighetsinställning

Nummer	Hastighet
1	10 000 min ⁻¹
2	15 000 min ⁻¹
3	21 000 min ⁻¹
4	26 000 min ⁻¹
5	31 000 min ⁻¹

⚠FÖRSIKTIGT: Ändra inte rotationshastigheten under drift. Det kan orsaka en oväntad reaktion i verktyget som kan leda till personskador.

OBSERVERA: Om maskinen används oavbrutet på låg hastighet under lång tid överbelastas motorn, vilket leder till funktionsfel på maskinen.

OBSERVERA: Ratten för hastighetsinställning kan endast vridas upp till 5 och tillbaka till 1. Tvinga den inte förbi 5 eller 1, eftersom hastighetsinställningen då kan sättas ur funktion.

Elektronisk funktion

Maskinen är utrustad med elektroniska funktioner för enkel användning.

- Konstant hastighetskontroll
Hastighetskontrollfunktionen ger en konstant rotationshastighet oavsett belastningsförhållanden.
- Mjukstart
Mjukstartsfunktionen minimerar ryck vid uppstarten och gör att maskinen får en mjuk start.
- Mjuk broms
Verktyget stannar försiktigt med den mjuka bromsen. Den mjuka bromsen förhindrar skador på arbetsstycket från rekylar och gör att du kan starta nästa åtgärd tidigare.
Om verktyget upprepade gånger inte stoppar fråshuvudet när omkopplaren stängs av, behöver verktyget servas på ett Makita servicecenter.

MONTERING

⚠FÖRSIKTIGT: Se alltid till att maskinen är avstängd och batterikassetten borttagen innan du underhåller maskinen.

Montera eller demontera fråshuvud

OBSERVERA: Dra inte åt hylsmuttern utan att montera ett fråshuvud, då spännhylsan kan gå sönder.

För in fråshuvudet hela vägen in i spännhylsan. Tryck in spindelläset och dra åt hylsmuttern med den fasta nyckeln.

► **Fig.6:** 1. Spindellås 2. Lossa 3. Dra åt 4. Nyckel 5. Hylsmutter

Du kan också dra åt hylsmuttern ordentligt med de två fasta nycklarna.

► **Fig.7:** 1. Nyckel 2. Lossa 3. Dra åt 4. Hylsmutter

Följ monteringsförfarandet i omvänd ordning för att avlägsna fråshuvudet.

OBS: Spindelläset kanske inte går tillbaka till ursprungsläget när du drar åt hylsmuttern vid installation av fråshuvud. Spindelläset går tillbaka till ursprungsläget när du startar maskinen.

► **Fig.8:** 1. Spindellås

Byta ut spännhylsan

⚠ FÖRSIKTIGT: Använd korrekt storlek på spännhylsan för det fråshuvud som du tänkt använda.

⚠ FÖRSIKTIGT: Dra inte åt hylsmuttern utan att montera ett fråshuvud, då spännhylsan kan gå sönder.

1. Lossa hylsmuttern och ta bort den.
2. Byt ut den monterade spännhylsan mot önskad spännhylsa.
3. Sätt tillbaka hylsmuttern.
▶ **Fig.9:** 1. Spännhylsa 2. Hylsmutter

Montera eller demontera kantfräsens bottenplatta

1. Öppna låsspaken på kantfräsens bottenplatta, för in verktyget i kantfräsens bottenplatta och rikta in spåren i verktyget med den utskjutande delen på kantfräsens bottenplatta.

2. Stäng låsspaken.
▶ **Fig.10:** 1. Låsspak

OBS: Du kan använda bottenplattan (harts) som valfritt tillbehör enligt vad som visas på bilden. När bottenplattan (harts) används, lossa eller spänn åt den lätrade muttern istället för att öppna eller stänga låsspåren.

Rikta in kuggstången på verktyget med kuggväxeln på bottenplattan.

- ▶ **Fig.11:** 1. Lättrad mutter 2. Kuggstång 3. Kuggväxel

3. Fäst dammunstycket på kantfräsens bottenplatta och dra åt tumskruven.

- ▶ **Fig.12:** 1. Dammunstycke 2. Tumskruv
- ▶ **Fig.13**

Ta bort bottenplattan genom att följa monteringsproceduren i omvänd ordning.

⚠ FÖRSIKTIGT: När du använder maskinen med kantfräsens bottenplatta ska du alltid montera dammunstycket på kantfräsens bottenplatta.

Montera eller demontera den fällbara bottenplattan

Extra tillbehör

1. Öppna låsspaken på den fällbara bottenplattan, för in verktyget i den fällbara bottenplattan och rikta in spåren i verktyget med den utskjutande delen på den fällbara bottenplattan.

2. Stäng låsspaken.
▶ **Fig.14:** 1. Låsspak

Ta bort bottenplattan genom att följa monteringsproceduren i omvänd ordning.

Montera eller demontera distansbottenplattan

Extra tillbehör

1. Tryck på spindellåset och lossa därefter hylsmuttern.
▶ **Fig.15:** 1. Hylsmutter 2. Spindellås 3. Nyckel

2. Ta bort hylsmuttern och spännhylsan.
▶ **Fig.16:** 1. Hylsmutter 2. Spännhylsa

3. Montera drivhjulet på verktyget genom att trycka på spindellåset och dra åt drivhjulet med en nyckel.
▶ **Fig.17:** 1. Nyckel 2. Drivhjul 3. Spindellås

4. Lossa skruven på bottenplattan och ta bort bottenplattan.
▶ **Fig.18:** 1. Bottenplatta

5. Öppna distansbottenplattans låsspak och montera därefter verktyget i distansbottenplattan.
▶ **Fig.19:** 1. Låsspak

6. Montera remmen till drivhjulet med en pinne, t.ex. en spårskruvmejsel, genom att manuellt rotera remmen.
▶ **Fig.20:** 1. Drivhjul 2. Rem

7. Stäng låsspaken.
▶ **Fig.21:** 1. Låsspak

8. Fäst basplattan genom att dra åt skruvarna.
▶ **Fig.22:** 1. Bottenplatta

9. För in spännhylsan och fråshuvudet i distansbottenplattan och dra åt hylsmuttern.
▶ **Fig.23:** 1. Fråshuvud 2. Hylsmutter 3. Spännhylsa

10. Sätt in insexnyckeln i distansbottenplattans hål och dra åt hylsmuttern med nyckeln.
▶ **Fig.24:** 1. Hylsmutter 2. Nyckel 3. Insexnyckel

Ta bort bottenplattan genom att följa monteringsproceduren i omvänd ordning.

OBS: Du kan även montera remmen på drivhjulet utan att ta bort basplattan enligt figuren.

- ▶ **Fig.25:** 1. Drivhjul 2. Rem

Montera eller demontera den sänkbara bottenplattan

Extra tillbehör

1. Öppna låsspaken på den sänkbara bottenplattan, för in verktyget hela vägen i den sänkbara bottenplattan och rikta in spåren i verktyget med den utskjutande delen på den sänkbara bottenplattan.

2. Stäng låsspaken.
▶ **Fig.26:** 1. Låsspak

Ta bort bottenplattan genom att följa monteringsproceduren i omvänd ordning.

Montera eller demontera parallellinjalen på den sänkbara bottenplattan

Extra tillbehör

Sätt in anhållsstängerna i hålen på den sänkbara bottenplattan och dra åt vingbultarna. Ta bort linjalen genom att följa monteringsproceduren i omvänd ordning.

- ▶ **Fig.27:** 1. Vingbult 2. Svärd

Montera eller demontera dammunstycket på den sänkbara bottenplattan

Sätt i dammunstycket på den sänkbara bottenplattan så att den utskjutande delen på dammunstycket passar in i skåran i den sänkbara bottenplattan och dra därefter åt tumskruven på dammunstycket. Ta bort munstycket genom att följa monteringsproceduren i omvänd ordning.

- **Fig.28:** 1. Utsprång 2. Dammunstycke 3. Tumskruv
► **Fig.29**

ANVÄNDNING

Ställa in kapningsdjup

Justera kapningsdjupet genom att lossa låsspaken och flytta maskinens bottenplatta uppåt eller nedåt genom att vrida på inställningsskruven. Dra åt låsspaken ordentligt efter justeringen.

- **Fig.30:** 1. Låsspak 2. Inställningsskruv

OBSERVERA: Om maskinen inte är fäst när låsspaken är stängd, dra åt insexmuttern och stäng därefter låsspaken.

- **Fig.31:** 1. Insexmutter

Ställa in kapningsdjup med den sänkbara bottenplattan

Extra tillbehör

1. Placera verktyget på ett plant underlag.
2. Välj djupanslagsskruven genom att vrida på djupanslagsplattan.
► **Fig.32:** 1. Djupanslagsskruv 2. Djupanslagsplatta
3. Lossa på fästmuttern, dra ut stoppstängens samtidigt som du håller matningsknappen nedtryckt.
► **Fig.33:** 1. Stoppstång 2. Fästmutter 3. Matningsknapp
4. Tryck ner maskinen tills fråshuvudets spets vidrör den plana ytan och vrid därefter fixerspaken för att säkra maskinen.
► **Fig.34:** 1. Fixerspak 2. Fråshuvud
5. Tryck ner stoppstängens och matningsknappen samtidigt tills den nuddar djupanslagsskruven.
► **Fig.35:** 1. Stoppstång 2. Djupanslagsskruv 3. Matningsknapp
6. Skjut pekaren för fräsdjup så att pekaren visar "0" på skalan.
► **Fig.36:** 1. Pekare för fräsdjup
7. Ställ inkapningsdjupet genom att dra ut stoppstängens samtidigt som du håller matningsknappen nedtryckt.
► **Fig.37:** 1. Stoppstång 2. Matningsknapp
8. För att utföra en fininställning av kapningsdjupet, vrid på stoppstängens ratt tills den visar "0".
► **Fig.38:** 1. Ratt

9. Vrid på stoppstängens huvud för att erhålla önskat djup. Vrid på huvudet moturs för att öka djupet. Vrid på huvudet medurs för att minska djupet. (Djupet ändras med 1 mm per varv.)
► **Fig.39:** 1. Stoppstångens huvud

10. Dra åt stoppstängens fästmutter.
► **Fig.40:** 1. Fästmutter

11. Släpp fixerspaken.
► **Fig.41:** 1. Fixerspak

Genom att trycka ned verktyget tills stoppstängens möter stoppskruven kan du erhålla skärdjupet som du justerade med ovanstående förfarande.

Använda maskinen med kantfräsens bottenplatta

Placera bottenplattan på arbetsstycket utan att fråshuvudet kommer i kontakt med arbetsstycket. Starta verktyget och vänta tills fråshuvudet uppnått full hastighet. För verktyget framåt över arbetsstyckets yta. Håll bottenplattan jäms med arbetsstycket när du flyttar verktyget.

Vid fräsning av kanten ska arbetsstyckets yta befinna sig på vänster sida av fråshuvudet i matningsriktningen.
► **Fig.42**

OBS: Innan du fräser på arbetsstycket rekommenderar vi att du gör en provfräsning. Lämplig matningshastighet beror på fråshuvudets storlek, typ av arbetsstycke och fräsdjup. Om verktyget förs framåt för snabbt kan den frästa ytan få en dålig finish, eller så kan fråshuvudet eller motorn skadas. Om verktyget förs framåt för långsamt kan arbetsstycket bli bränt och ytan skadas.

När fränslaget, parallellanslaget eller rullanslaget används, skall du se till att hålla anslaget på den högra sidan i matningsriktningen. Det blir då lättare att hålla anslaget plant mot arbetsstyckets sida.

- **Fig.43:** 1. Fråshuvud 2. Arbetsstycke 3. Parallellanslag

OBSERVERA: Eftersom en alltför kraftig fräsning kan orsaka överbelastning av motorn eller svårigheter att kontrollera verktyget bör fräsdjupet inte vara mer än 3 mm per gång vid spårfräsning. Gör flera fräsningar med en gradvis ökande inställning av fräsdjupet när du vill fräsa spår som är djupare än 3 mm.

Använda parallellanslag

1. Fäst parallellanslaget med bulten och vingmuttern.
► **Fig.44:** 1. Bult 2. Vingmutter
2. Montera parallellanslaget på kantfräsens bottenplatta med låsskruven.
► **Fig.45:** 1. Spännskruv
3. Lossa vingmuttern på parallellanslaget och justera avståndet mellan fråshuvudet och parallellanslaget. Dra åt vingmuttern vid önskat avstånd.
► **Fig.46:** 1. Vingmutter

4. För verktyget med parallellanslaget plant mot arbetsstyckets sida.

► Fig.47

Om avståndet (A) mellan arbetsstyckets sida och fräslinjen är för stort för parallellanslaget, eller om arbetsstyckets sida inte är rak, kan parallellanslaget inte användas.

Spänn in sådant fall fast en träskiva med rak kant på arbetsstycket och använd den som anslag mot kantfräsens bottenplatta. För maskinen i pilens riktning.

► Fig.48

Använda ett parallellanslag för cirkelarbete

Montera parallellanslaget för cirkelarbete enligt figurerna. Den minsta och största radien för cirklar som ska fräsas (avståndet mellan cirkelns mittpunkt och fräshuvudets mittpunkt) är enligt följande:

- Min: 70 mm
- Max: 221 mm

För fräsning av cirklar med en radie mellan 70 mm och 121 mm.

► Fig.49: 1. Mitthål

För fräsning av cirklar med en radie mellan 121 mm och 221 mm.

► Fig.50: 1. Mitthål

OBS: Cirklar med en radie mellan 172 mm och 186 mm kan inte fräsas med detta anslag.

Rikta in mitthålet på parallellanslaget efter mittpunkten på den cirkel som ska fräsas. Slå i en spik som är mindre än 6 mm i diameter i mitthålet för att fästa parallellanslaget. Sväng maskinen medurs runt spiken.

► Fig.51: 1. Spik 2. Mitthål

Använda mallanslag

Med ett mallanslag kan man upprepa fräsningen efter mallmönster med en mall.

1. Lossa skruven på bottenplattan och ta bort bottenplattan från kantfräsens bottenplatta.

2. Placera mallanslaget på bottenplattan och fäst därefter bottenplattan genom att dra åt skruvarna.

► Fig.52: 1. Bottenplatta 2. Mallanslag

3. Placera verktyget på mallen och för verktyget så att mallanslaget glider längs sidan på mallen.

► Fig.53

OBS: Den faktiska fräsdimensionen på arbetsstycket skiljer sig lite från mallen. Skillnaden är avståndet (X) mellan fräshuvudet och mallanslagets utsida. Avståndet (X) kan beräknas genom att använda följande ekvation:

Avstånd (X) = (mallanslagets ytterdiameter - fräshuvudets diameter)/2

► Fig.54: 1. Fräshuvud 2. Mallanslag 3. Avstånd (X) 4. Mellanslagets ytterdiameter 5. Mall 6. Arbetsstycke

Använda fräsanslag

Extra tillbehör

Fräsanslaget möjliggör trimning av den rundade sidan som exempelvis fanér för möbler genom att föra rullanslaget längs med arbetsstycket.

► Fig.55

1. Lossa låsskruven och montera fräsanslaget på kantfräsens bottenplatta och dra åt låsskruven.

► Fig.56: 1. Spännskruv

2. Lossa låsskruven och justera avståndet mellan fräshuvudet och fräsanslaget genom att vrida på justeringskruven (1 mm per varv). Vid önskat avstånd drar du åt låsskruven för att säkra fräsanslaget.

► Fig.57: 1. Inställningsskruv 2. Spännskruv

3. För maskinen med rullanslaget löpande mot arbetsstyckets sida.

► Fig.58: 1. Arbetsstycke 2. Fräshuvud 3. Rullanslag

Använda maskinen med den fällbara bottenplattan

Den fällbara bottenplattan är avsedd för att trimma kanten på laminatskivor eller liknande material.

Den fällbara bottenplattan är behändig vid fasning. Lossa på vingskruvarna, fäll maskinen till önskad vinkel och dra fast vingskruvarna.

Spänn fast en rak bräda ordentligt på arbetsstycket och använd den som ett anslag mot den fällbara bottenplattan. För maskinen i pilens riktning.

► Fig.59: 1. Vingskruv

Använda den fällbara bottenplattan med kantfräsens bottenplatta

För att använda kantfräsens bottenplatta med en fyrkantig bottenplatta, ta bort bottenplattan från den fällbara bottenplattan och fäst den till kantfräsens bottenplatta.

► Fig.60: 1. Fällbar bottenplatta 2. Bottenplatta för kantfräs

OBSERVERA: Använd skruvarna på bottenplattan för kantfräs för att montera den fällbara bottenplattan. Skruvarna på den fällbara bottenplattan är kortare än skruvarna på bottenplattan för kantfräs.

Använda maskinen med distansbottenplattan

Distansbottenplattan är avsedd för att trimma kanten på laminatskivor eller liknande material.

Distansbottenplattan är praktisk för arbete i tränga utrymmen.

► Fig.61

Använda kantfräsens bottenplatta med distansbottenplattan och handtag

Distansbottenplattan kan också användas med kantfräsens bottenplatta och en grepptillsats (valfritt tillbehör) för mer stabilitet.

1. Lossa skruven på distansbottenplattan och ta bort distansbottenplattan från distansbasen.

► **Fig.62:** 1. Distansbottenplatta 2. Bottenplatta för kantfräs

2. Fäst distansbottenplattan på kantfräsens bottenplatta genom att dra åt skruvarna.

3. Fäst grepptillsatsen och det rörformade greppet till distansbottenplattan genom att dra åt skruvarna.

► **Fig.63:** 1. Rörformat grepp 2. Grepptillsats

Knoppgreppet som tagits bort från den sänkbara bottenplattan kan monteras på distansbottenplattan istället för det rörformade greppet.

► **Fig.64:** 1. Skruv 2. Knoppgrepp

Använda maskinen med den sänkbara bottenplattan

Håll alltid maskinen stadigt med båda händerna under arbetet. Använd maskinen på samma sätt som kantfräsens bottenplatta.

Använda parallellanslag

Extra tillbehör

1. Montera parallellanslaget på anslagshållaren genom att dra åt vingmuttern. Sätt in anslagshållaren i hålen på den sänkbara bottenplattan och dra åt vingbultarna.

► **Fig.65:** 1. Vingbult 2. Anslagshållare 3. Vingmutter 4. Parallellanslag

2. Lossa vingmuttern på parallellanslaget och justera avståndet mellan fråshuvudet och parallellanslaget. Dra åt vingmuttern vid önskat avstånd.

► **Fig.66:** 1. Vingmutter

3. Använd maskinen på samma sätt som parallellanslaget för kantfräsens bottenplatta.

► **Fig.67**

Använda mallanslag

Extra tillbehör

1. Lossa på skruvarna på bottenplattan och ta bort dem. Placera mallanslaget på bottenplattan och dra därefter åt skruvarna.

► **Fig.68:** 1. Skruv 2. Mallanslag

2. Använd maskinen på samma sätt som mallanslaget för kantfräsens bottenplatta.

► **Fig.69**

Använda parallellinjal

Parallellinjal är effektiv att använda för raka arbetslinjer vid avfasning eller spårfräsning. Justera avståndet mellan fråshuvudet och parallellinjal. Vid önskat avstånd drar du åt vingbultarna, så att parallellinjal sitter på plats. För verktyget med parallellinjal plant mot arbetsstyckets sida under fräsningen.

► **Fig.70**

Om avståndet (A) mellan arbetsstyckets sida och fräslinjen är för stort för parallellinjal, eller om arbetsstyckets sida inte är rak, kan parallellinjal inte användas.

Spänn i sådant fall fast en träskiva med rak kant på arbetsstycket och använd den som anslag mot den sänkbara bottenplattan. För maskinen i pilens riktning.

► **Fig.71**

Ändra knoppgrepp mot rörformat grepp

För att montera det rörformade greppet på den sänkbara bottenplattan, lossa skruven på knoppgreppet och ta bort det, montera därefter det rörformade greppet genom att dra fast det.

► **Fig.72:** 1. Knoppgrepp 2. Skruv 3. Rörformat grepp

FUNKTION FÖR TRÅDLÖS AKTIVERING

Vad du kan göra med funktionen för trådlös aktivering

Funktionen för trådlös aktivering möjliggör en ren och bekväm körning. Genom att ansluta en dammsugare som stöds till verktyget, kan du göra så att dammsugaren automatiskt körs samtidigt som du använder verktygets knappfunktion.

► **Fig.73**

Gör i ordning följande artiklar för att använda funktionen för trådlös aktivering:

- En trådlös enhet (valfritt tillbehör)
- En dammsugare som har stöd för funktionen för trådlös aktivering

Översikten över inställningen av funktionen för trådlös aktivering är följande. Se detaljerade rutiner i varje avsnitt.

1. Installera den trådlösa enheten
2. Verktysregistrering för dammsugaren
3. Starta funktionen för trådlös aktivering

Installera den trådlösa enheten

Valfria tillbehör

⚠ FÖRSIKTIGT: Placera verktyget på en platt och stabil yta när den trådlösa enheten installeras.

OBSERVERA: Rensa bort damm och smuts från verktyget innan den trådlösa enheten installeras. Damm eller smuts kan orsaka funktionsfel om det kommer in i skåran på den trådlösa enheten.

OBSERVERA: För att förebygga funktionsfel till följd av statisk laddning vidrör du ett statiskt urladdande material, t.ex. en metalldel på verktyget, innan du plockar upp den trådlösa enheten.

OBSERVERA: Se alltid till när du installerar den trådlösa enheten att den är insatt i rätt riktning och att locket är helt stängt.

1. Öppna locket på verktyget enligt figuren.

► **Fig.74:** 1. Lucka

2. Sätt in den trådlösa enheten i skåran och stäng sedan locket.

När du sätter in den trådlösa enheten, passa då in de utskjutande delarna med de insänkta delarna i skåran.

► **Fig.75:** 1. Trådlös enhet 2. Utskjutande del 3. Lucka 4. Insänkt del

Öppna locket långsamt när du tar bort den trådlösa enheten. Krokarna på lockets baksida lyfter den trådlösa enheten när du drar upp locket.

► **Fig.76:** 1. Trådlös enhet 2. Krok 3. Lucka

När den trådlösa enheten tagits bort, ha den då i det tillhörande fodralet eller en behållare med skydd mot statisk laddning.

OBSERVERA: Använd alltid krokarna på lockets baksida när du tar bort den trådlösa enheten. Om krokarna inte fångar upp den trådlösa enheten, stänger du locket helt och öppnar det långsamt igen.

Verktygsregistrering för dammsugaren

OBS: För verktygsregistreringen krävs en Makita-dammsugare som har stöd för den trådlösa aktiveringsfunktionen.

OBS: Avsluta installationen av den trådlösa enheten till verktyget innan du inleder verktygsregistreringen.

OBS: Använd inte avtryckaren under verktygsregistreringen och vrid inte på strömbrytaren på dammsugaren.

OBS: Se också bruksanvisningen för dammsugaren.

Om du vill aktivera dammsugaren tillsammans med verktygets knappfunktion, ska du slutföra verktygsregistreringen i förväg.

1. Installera batterierna till dammsugaren och verktyget.

2. Sätt dammsugarens stand-by-omkopplare på "AUTO".

► **Fig.77:** 1. Stand-by-omkopplare

3. Tryck på knappen för trådlös aktivering på dammsugaren i 3 sekunder tills lampan för trådlös aktivering blinkar grönt. Tryck sedan på knappen för trådlös aktivering på verktyget på samma sätt.

► **Fig.78:** 1. Knapp för trådlös aktivering 2. Lampa för trådlös aktivering

Om dammsugaren och verktyget har kopplats ihop ordentligt, kommer lamporna för trådlös aktivering att lysa grönt i 2 sekunder och börja blinka i blått.

OBS: Lamporna för trådlös aktivering slutar blinka grönt efter att 20 sekunder har gått. Tryck på knappen för trådlös aktivering på maskinen när lampan för trådlös aktivering på dammsugaren blinkar. Om lampan för trådlös aktivering inte blinkar grönt, trycker du kort på knappen för trådlös aktivering och håller in den igen.

OBS: När du utför två eller flera verktygsregistreringar för en dammsugare avslutar du verktygsregistreringarna en och en.

Starta funktionen för trådlös aktivering

OBS: Avsluta verktygsregistreringen för dammsugaren före den trådlösa aktiveringen.

OBS: Se också bruksanvisningen för dammsugaren.

Efter att ett verktyg registrerats till dammsugaren kommer den att köras automatiskt tillsammans med verktygets knappfunktion.

1. Installera den trådlösa enheten till verktyget.

2. Anslut dammsugarslangens till verktyget.

► **Fig.79**

3. Sätt dammsugarens stand-by-omkopplare på "AUTO".

► **Fig.80:** 1. Stand-by-omkopplare

4. Tryck kort på knappen för trådlös aktivering på verktyget. Lampan för trådlös aktivering blinkar blått.

► **Fig.81:** 1. Knapp för trådlös aktivering 2. Lampa för trådlös aktivering

5. Slå på verktyget. Kontrollera att dammsugaren är igång när verktyget används.

För att stoppa den trådlösa aktiveringen av dammsugaren trycker du på knappen för trådlös aktivering på verktyget.

OBS: Lampan för trådlös aktivering på verktyget slutar blinka blått när ingen användning har skett på 2 timmar. Sätt i så fall stand-by-omkopplaren på dammsugaren på "AUTO" och tryck igen på knappen för trådlös aktivering på verktyget.

OBS: Dammsugaren startar/stannar med en fördröjning. Det blir en tidsfördröjning när dammsugaren känner av en knappfunktion från verktyget.










OBS: Sändningsavståndet till den trådlösa enheten kan variera beroende på plats och omständigheter i omgivningen.

OBS: När två eller flera verktyg är registrerade till en dammsugare, kan dammsugaren gå igång även om du inte slår på verktyget eftersom en annan användare använder funktionen för trådlös aktivering.

Beskrivning av status för lampan för trådlös aktivering

► Fig.82: 1. Lampa för trådlös aktivering

Lampan för trådlös aktivering visar status för den trådlösa aktiveringsfunktionen. Se innebörden av lampans status i tabellen nedan.

Status	Lampa för trådlös aktivering				Beskrivning
	Färg	 På	 Blinkar	Varaktighetstid	
Standby	Blå			2 timmar	Den trådlösa aktiveringen av dammsugaren är tillgänglig. Lampan släcks automatiskt när ingen användning har ägt rum på 2 timmar.
				När verktyget är igång.	Den trådlösa aktiveringen av dammsugaren är tillgänglig och verktyget är igång.
Verktysregistrering	Grön			20 sekunder	Redo för verktygsregistrering. Väntar på registrering från dammsugaren.
				2 sekunder	Verktysregistreringen har avslutats. Lampan för trådlös aktivering börjar blinka blått.
Upphåver verktygsregistrering	Röd			20 sekunder	Redo för att upphäva verktygsregistreringen. Väntar på upphävande från dammsugaren.
				2 sekunder	Upphävandet av verktygsregistreringen har avslutats. Lampan för trådlös aktivering börjar blinka blått.
Övriga	Röd			3 sekunder	Ström tillförs till den trådlösa enheten och funktionen för trådlös aktivering startar.
	Av	-		-	Den trådlösa aktiveringen av dammsugaren stoppas.

Upphåver verktygsregistrering för dammsugaren

Utför följande rutin vid upphävande av verktygsregistreringen för dammsugaren.

1. Installera batterierna till dammsugaren och verktyget.
2. Sätt dammsugarens stand-by-omkopplare på "AUTO".

► Fig.83: 1. Stand-by-omkopplare

3. Tryck på knappen för trådlös aktivering på dammsugaren i 6 sekunder. Lampan för trådlös aktivering blinkar grönt och blir sedan röd. Tryck sedan på knappen för trådlös aktivering på verktyget på samma sätt.

► Fig.84: 1. Knapp för trådlös aktivering 2. Lampa för trådlös aktivering

Om upphävandet har utförts ordentligt, kommer lamporna för trådlös aktivering att lysa rött i 2 sekunder och börja blinka i blått.

OBS: Lamporna för trådlös aktivering slutar blinka rött efter att 20 sekunder har gått. Tryck på knappen för trådlös aktivering på maskinen när lampan för trådlös aktivering på dammsugaren blinkar. Om lampan för trådlös aktivering inte blinkar rött, trycker du kort på knappen för trådlös aktivering och håller in den igen.

Felsökning för funktionen för trådlös aktivering

Innan du ber om reparation ska du först utföra en egen kontroll. Om du hittar ett problem som inte finns förklarat i bruksanvisningen ska du inte försöka att ta isär maskinen. Fråga istället ett auktoriserad servicecenter för Makita, och använd alltid reservdelar från reparationer.

Feltillstånd	Trolig orsak (felsfunktion)	Åtgärd
Lampan för trådlös aktivering lyser/ blinkar inte.	Den trådlösa enheten är inte installerad till verktyget. Den trådlösa enheten är felaktigt installerad till verktyget.	Installera den trådlösa enheten korrekt.
	Den trådlösa enhetens kontakt och/eller skåran är smutsig.	Torka försiktigt av damm och smuts på den trådlösa enhetens kontakt och rengör skåran.
	Knappen för trådlös aktivering på verktyget har inte tryckts.	Tryck kort på knappen för trådlös aktivering på verktyget.
	Stand-by-omkopplaren på dammsugaren är inte satt på "AUTO".	Sätt dammsugarens stand-by-omkopplare på "AUTO".
	Ingen strömtillförsel	Koppla in ström till verktyget och dammsugaren.
Kan inte avsluta verktygsregistrering/upphäva verktygsregistrering.	Den trådlösa enheten är inte installerad till verktyget. Den trådlösa enheten är felaktigt installerad till verktyget.	Installera den trådlösa enheten korrekt.
	Den trådlösa enhetens kontakt och/eller skåran är smutsig.	Torka försiktigt av damm och smuts på den trådlösa enhetens kontakt och rengör skåran.
	Stand-by-omkopplaren på dammsugaren är inte satt på "AUTO".	Sätt dammsugarens stand-by-omkopplare på "AUTO".
	Ingen strömtillförsel	Koppla in ström till verktyget och dammsugaren.
	Felaktig funktion	Tryck kort på knappen för trådlös aktivering och utför rutinerna för verktygsregistrering-/upphävande igen.
	Verktyget och dammsugaren är åtskilda från varandra (utanför sändningsområdet).	Se till att verktyget och dammsugaren hamnar närmare varandra. Det maximala sändningsavståndet är ca 10 m, men det kan variera beroende på omständigheterna.
	Innan verktygsregistreringen-/upphävandet avslutas: - verktygets omkopplare har slagits på, - strömknappen på dammsugaren har slagits på.	Tryck kort på knappen för trådlös aktivering och utför rutinerna för verktygsregistrering-/upphävande igen.
	Verktygsregistreringsrutinerna för verktyget eller dammsugaren har inte slutförts.	Utför verktygsregistreringsrutinerna för både verktyget och dammsugaren på samma gång.
	Radiostörningar från andra apparater som skapar högintensiva radiovågor.	Håll verktyget och dammsugaren borta från apparater som WiFi-enheter och mikrovågsugnar.
	Damsugaren är inte igång samtidigt som verktygets knappfunktion.	Den trådlösa enheten är inte installerad till verktyget. Den trådlösa enheten är felaktigt installerad till verktyget.
Den trådlösa enhetens kontakt och/eller skåran är smutsig.		Torka försiktigt av damm och smuts på den trådlösa enhetens kontakt och rengör skåran.
Knappen för trådlös aktivering på verktyget har inte tryckts.		Tryck kort på knappen för trådlös aktivering och försäkra dig om att lampan för trådlös aktivering blinkar blått.
Stand-by-omkopplaren på dammsugaren är inte satt på "AUTO".		Sätt dammsugarens stand-by-omkopplare på "AUTO".
Fler än 10 verktyg är registrerade till dammsugaren.		Utför verktygsregistreringen igen. Om fler än 10 verktyg är registrerade till dammsugaren, blir det verktyg som registrerades tidigast automatiskt upphävt.
Damsugaren har raderat alla verktygsregistreringar.		Utför verktygsregistreringen igen.
Ingen strömtillförsel		Koppla in ström till verktyget och dammsugaren.
Verktyget och dammsugaren är åtskilda från varandra (utanför sändningsområdet).		Se till att verktyget och dammsugaren hamnar närmare varandra. Det maximala sändningsavståndet är ca 10 m, men det kan variera beroende på omständigheterna.
Radiostörningar från andra apparater som skapar högintensiva radiovågor.		Håll verktyget och dammsugaren borta från apparater som WiFi-enheter och mikrovågsugnar.
Damsugaren är igång när verktyget inte används.		Stäng av de andra verktygens knappar för trådlös aktivering eller upphäv verktygsregistreringen för de andra verktygen.

UNDERHÅLL

⚠ FÖRSIKTIGT: Se alltid till att maskinen är avstängd och batterikassetten borttagen innan inspektion eller underhåll utförs.

OBSERVERA: Använd inte bensin, förtunningsmedel, alkohol eller liknande. Missfärgning, deformation eller sprickor kan uppstå.

För att upprätthålla produktens SÄKERHET och TILLFÖRLITLIGHET bör allt underhålls- och justeringsarbete utföras av ett auktoriserat Makita servicecenter och med reservdelar från Makita.

FRÅSHUVUDEN

Extra tillbehör

Notfräs

► Fig.85

D	A	L1	L2
6	20	50	15
6	6	50	18
6	8	50	18
8	8	60	25
1/4 tum	20	50	15
1/4 tum	6	50	18
1/4 tum	8	50	18

Mätenhet: mm

U-notfräs

► Fig.86

D	A	L1	L2	R
6	6	50	18	3
1/4 tum	6	50	18	3

Mätenhet: mm

V-notfräs

► Fig.87

D	A	L1	L2	θ
6	20	50	15	90°
1/4 tum	20	50	15	90°

Mätenhet: mm

Kantfräs med styrlager

► Fig.88

D	A	L1	L2	L3
6	6	60	18	28
8	8	60	20	35
1/4 tum	6	60	18	28

Mätenhet: mm

Kantfräs med dubbelt styrlager

► Fig.89

D	A	L1	L2	L3	L4
6	6	70	40	12	14
8	8	80	55	20	25
1/4 tum	6	70	40	12	14

Mätenhet: mm

Avrundningsfräs

► Fig.90

D	A1	A2	L1	L2	L3	R
6	25	9	48	13	5	8
6	20	8	45	10	4	4
1/4 tum	25	9	48	13	5	8
1/4 tum	20	8	45	10	4	4

Mätenhet: mm

Fasfräs

► Fig.91

D	A	L1	L2	L3	θ
6	23	46	11	6	30°
6	20	50	13	5	45°
6	20	49	14	2	60°
1/4 tum	23	46	11	6	30°
1/4 tum	20	48	13	5	45°
1/4 tum	20	49	14	2	60°

Mätenhet: mm

Hålkärslfräs

► Fig.92

D	A	L1	L2	R
6	20	43	8	4
6	25	48	13	8
1/4 tum	20	43	8	4
1/4 tum	25	48	13	8

Mätenhet: mm

Sinkfräs

► Fig.93

D	A	L1	L2	θ
8	12	50	9	30°
8	14,5	55	10	35°
8	14,5	55	14,5	23°
1/4 tum	12	50	9	30°
1/4 tum	14,5	55	10	35°
1/4 tum	14,5	55	14,5	23°

Mätenhet: mm

Kullagrad kantfräs

► Fig.94

D	A	L1	L2
6	10	50	20
1/4 tum	10	50	20

Mätenhet: mm

Kullagrad spegelprofilfräs

► Fig.95

D	A1	A2	A3	L1	L2	L3	R
6	20	12	8	40	10	5,5	4
6	26	12	8	42	12	4,5	7
1/4 tum	20	12	8	40	10	5,5	4
1/4 tum	26	12	8	42	12	4,5	7

Mätenhet: mm

Kullagrad avrundningsfräs

► Fig.96

D	A1	A2	L1	L2	L3	R
6	15	8	37	7	3,5	3
6	21	8	40	10	3,5	6
1/4 tum	15	8	37	7	3,5	3
1/4 tum	21	8	40	10	3,5	6

Mätenhet: mm

Kullagrad fasfräs

► Fig.97

D	A1	A2	L1	L2	θ
6	26	8	42	12	45°
6	20	8	41	11	60°
1/4 tum	26	8	42	12	45°
1/4 tum	20	8	41	11	60°

Mätenhet: mm

Kullagrad hålkärslfräs

► Fig.98

D	A1	A2	A3	A4	L1	L2	L3	R
6	20	18	12	8	40	10	5,5	3
6	26	22	12	8	42	12	5	5
1/4 tum	20	18	12	8	40	10	5,5	3
1/4 tum	26	22	12	8	42	12	5	5

Mätenhet: mm

Kullagrad profilfräs

► Fig.99

D	A1	A2	L1	L2	L3	R1	R2
6	20	8	40	10	4,5	2,5	4,5
6	26	8	42	12	4,5	3	6
1/4 tum	20	8	40	10	4,5	2,5	4,5
1/4 tum	26	8	42	12	4,5	3	6

Mätenhet: mm

VALFRIA TILLBEHÖR

▲FÖRSIKTIGT: Följande tillbehör eller tillsatser rekommenderas för användning med den Makita-maskin som denna bruksanvisning avser. Om andra tillbehör eller tillsatser används kan det uppstå risk för personskador. Använd endast tillbehören eller tillsatserna för de syften de är avsedda för.

Kontakta ditt lokala Makita servicecenter om du behöver ytterligare information om dessa tillbehör.

- Notfräs- och spårfräsverktyg
- Kantfräsverktyg
- Kantfräsverktyg med styrlager
- Parallellanslag
- Fräsanslag
- Bottenplatta för fräs
- Bottenplatta (harts)
- Sats för fällbar bottenplatta
- Sats för sänkbar bottenplatta
- Sats för distansbottenplatta
- Grepptillsats
- Mallanslag
- Spännhylsa
- Nyckel 13
- Nyckel 22
- Trådlös enhet
- Makitas originalbatteri och -laddare

OBS: Några av tillbehören i listan kan vara inkluderade i maskinpaketet som standardtillbehör. De kan variera mellan olika länder.

Tillbehör som kan användas med den här kantfräsen

Kantfräsen kan användas med följande tillbehör för olika ändamål.

Vissa tillbehör finns inte i ditt land.

► Fig.100

1. **Bottenplatta för kantfräs** (metall)
2. **Bottenplatta för kantfräs** (harts)
Visar tydligt spåret.
3. **Fällbar bottenplatta**
4. **Distansbottenplatta**
5. **Sänkbar bottenplatta**
6. **Grepptillsats**
7. **Mallanslag**
8. **Parallellanslag**
9. **Kantanslag**
10. **Fräsanslag**
Möjliggör noggranna kantarbeten. *Används med delar av kantanslaget.
11. **Dammunstycke**
12. **Bottenplatta** (metall)
13. **Rektangulär bottenplatta** (bottenplatta för den fällbara basen)
14. **Distansbottenplatta** (bottenplatta för distansbas)
Om distansbottenplattan används med grepptillsatsen kan handtag monteras.
15. **Bottenplatta** (harts)
16. **Handtagsbas**
17. **Rörformat handtag**
18. **Knoppformat handtag** (handtag för den sänkbara bottenplattan)
19. **Dammunstycke** för den sänkbara bottenplattan
20. **Mallanslag** för den sänkbara bottenplattan
21. **Anslagshållare**
Gör det möjligt att använda parallellanslaget för fräsens bottenplatta med den sänkbara bottenplattan.
22. **Parallellinjal**
För justering och positionering.
23. **Parallellinjal**
24. **Adapter för styrskena**
25. **Styrskena**
För noggranna raka arbetslinjer.
26. **Vinkelskena**
För att justera vinkeln på styrskenan.
27. **Fogkoppling för styrskenan** (2 st.)
För att koppla ihop två styrskenor.
28. **Klämma** (standardtyp)
För att hålla fast styrskenan.
29. **Klämma** (snabbkoppling)
För att hålla fast styrskenan.
30. **Säte**
Utbytesdelar av styrskenan för den övre plastlisten.
31. **Gummisäte**
Utbytesdel av styrskenan för den nedre gummilisten.
32. **Positionssäte**
Utbytesdel av styrskenan för positionssätet.

► Fig.101

TEKNISKE DATA

Modell:		RT001G
Flenspatronkapasitet		6 mm, 8 mm eller 1/4"
Hastighet uten belastning		10 000 - 31 000 min ⁻¹
Total høyde	med BL4025	245 mm
	med BL4040	251 mm
Merkespenning		DC 36 V – 40 V maks.
Nettovekt		2,2 - 2,5 kg

- På grunn av vårt kontinuerlige forsknings- og utviklingsprogram kan spesifikasjonene som oppgis i dette dokumentet endres uten varsel.
- Spesifikasjoner og batteriinnsett kan variere fra land til land.
- Vekten kan variere avhengig av tilbehøret/tilbehørene, inkludert batteriet. Den letteste og tyngste kombinasjonen, i henhold til EPTA-prosedyre 01/2014, vises i tabellen.

Passende batteri og lader

Batteriinnsett	BL4020 / BL4025 / BL4040
Lader	DC40RA / DC40RB / DC40RC

- Noen av batteriene og laderne som er opplistet ovenfor er kanskje ikke tilgjengelige, avhengig av hvor du bor.

⚠ ADVARSEL: Bruk kun de batteriene og laderne som er opplistet ovenfor. Bruk av andre batterier og ladere kan føre til personskader og/eller brann.

Riktig bruk

Denne maskinen er laget for rask tilskjæring og profile-ring av tre, plast og lignende materialer.

Støy

Typisk A-vektet lydtrykknivå er bestemt i henhold til EN62841-2-17:

Arbeidsmodus: Rotasjon uten belastning

Lydtrykknivå (L_{pA}): 81 dB (A)

Lydteffektnivå (L_{WA}): 92 dB (A)

Usikkerhet (K): 3 dB (A)

MERK: Den/de oppgitte verdien(e) for genererte vibrasjoner har blitt målt i henhold til standard testmetoder, og kan bli brukt til å sammenligne ett verktøy med et annet.

MERK: Den/de angitte verdien(e) for de genererte vibrasjonene kan også brukes til en foreløpig vurdering av eksponeringen.

⚠ ADVARSEL: Bruk hørselsvern.

⚠ ADVARSEL: De genererte vibrasjonene ved faktisk bruk av elektroverktøyet kan avvike fra den/de angitte vibrasjonsverdien(e), avhengig av hvordan verktøyet brukes.

⚠ ADVARSEL: Sørg for å identifisere vernetiltak for å beskytte operatøren, som er basert på et estimat av eksponeringen under de faktiske bruksforholdene (idet det tas hensyn til alle deler av driftssyklusen, dvs. hvor lenge verktøyet er slått av, hvor lenge det går på tomgang og hvor lenge startbryteren faktisk holdes trykket).

Vibrasjoner

Den totale vibrasjonsverdien (triaksial vektorsum) bestemt i henhold EN62841-2-17:

Arbeidsmodus: Rotasjon uten belastning

Genererte vibrasjoner (a_h): 2,5 m/s² eller mindre

Usikkerhet (K): 1,5 m/s²

MERK: Den/de oppgitte verdien(e) for totalt genererte vibrasjoner har blitt målt i henhold til standard testmetoder, og kan bli brukt til å sammenligne ett verktøy med et annet.

MERK: Den/de angitte verdien(e) for totalt genererte vibrasjoner kan også brukes til en foreløpig vurdering av eksponeringen.

⚠ ADVARSEL: De genererte vibrasjonene ved faktisk bruk av elektroverktøyet kan avvike fra den/de angitte vibrasjonsverdien(e), avhengig av hvordan verktøyet brukes og spesielt i forhold til arbeidsstykket som blir behandlet.

⚠ ADVARSEL: Sørg for å identifisere vernetiltak for å beskytte operatøren, som er basert på et estimat av eksponeringen under de faktiske bruksforholdene (idet det tas hensyn til alle deler av driftssyklusen, dvs. hvor lenge verktøyet er slått av, hvor lenge det går på tomgang og hvor lenge startbryteren faktisk holdes trykket).

EFs samsvarserklæring

Gjelder kun for land i Europa

EFs samsvarserklæring er lagt til som vedlegg A i denne bruksanvisningen.

SIKKERHETSADVARSEL

Generelle advarsler angående sikkerhet for elektroverktøy

⚠ADVARSEL: Les alle sikkerhetsadvarsler, instruksjoner, illustrasjoner og spesifikasjoner som følger med dette elektroverktøyet. Hvis ikke alle instruksjonene nedenfor følges, kan det forekomme elektrisk støt, brann og/eller alvorlig skade.

Oppbevar alle advarsler og instruksjoner for senere bruk.

Uttrykket «elektrisk verktøy» i advarslene refererer både til elektriske verktøy (med ledning) tilkoblet strømmettet, og batteridrevne verktøy (uten ledning).

Sikkerhetsanvisninger for batteridrevet tilskjæringsmaskin

1. **Bruk tvinger eller en annen praktisk måte for å sikre og støtte arbeidsstykket på en stabil plattform.** Hvis du holder det med hånden eller mot kroppen, kan det være ustabil og føre til at du mister kontrollen.
2. **Det elektriske verktøyet skal bare holdes i de isolerte gripeflatene, da kutteren kan komme i kontakt med skjulte ledninger.** Hvis en strømførende ledning kuttes, kan uisolerte metalldele av elektroverktøyet bli strømførende og føre til at brukeren får elektrisk støt.
3. **Bruk bare et tilskjæringsbits som er merket for minst den samme maksimale hastigheten som er merket på verktøyet.** Hvis verktøyet har en kontrollfunksjon for variabel hastighet, konfigurerer du verktøyet hastighet under tilskjæringsbitsets hastighetsytelse.
4. **Tilskjæringsbitset må passe til den tilhørende flenspatronen.**
5. **Bruk hørselsvern ved lengre arbeidsøkter.**
6. **Tilskjæringsbitset skal håndteres meget forsiktig.**
7. **Kontroller at det ikke finnes sprekker eller andre skader på tilskjæringsbitset før du tar det i bruk.** Skift ut sprukne eller ødelagte bits omgående.
8. **Unngå å skjære i spiker.** Se etter og fjern alle spikere fra arbeidsstykket, før arbeidet påbegynnes.
9. **Hold godt fast i verktøyet.**
10. **Hold hendene unna roterende deler.**
11. **Forvisse deg om at tilskjæringsbitset ikke er i kontakt med arbeidsstykket før startbryteren er slått på.**
12. **La verktøyet gå en liten stund før du begynner å bruke det på et arbeidsstykke.** Se opp for vibrasjoner eller vingling som kan tyde på at tilskjæringsbitset ikke er korrekt montert.
13. **Vær nøye med tilskjæringsbitsets dreieretning og arbeidsretning.**
14. **Ikke gå fra verktøyet mens det er i gang.** Verktøyet må bare brukes mens operatøren holder det i hendene.

15. **Før du fjerner verktøyet fra arbeidsstykket, må du alltid slå av maskinen og vente til tilskjæringsbitset har stoppet helt.**
16. **Ikke rør tilskjæringsbitset umiddelbart etter bruk.** Det kan være ekstremt varmt og kan gi brannskader.
17. **Ikke søl tynner, bensin, olje eller lignende på foten.** Disse stoffene kan forårsake sprekker i foten.
18. **Bruk tilskjæringsbitset med riktig skaftdiameter som passer for verktøyet hastighet.**
19. **Enkelte materialer inneholder kjemikalier som kan være giftige.** Vis varsomhet for å hindre hudkontakt og innånding av støv. Følg leverandørens sikkerhetsanvisninger.
20. **Bruk alltid riktig støvmaske/pustemaske for materialet og bruksområdet du arbeider med.**

TA VARE PÅ DISSE INSTRUKSENE.

⚠ADVARSEL: IKKE LA hensynet til hva som er "behagelig" eller det faktum at du kjenner produktet godt (etter mange gangers bruk) gjøre deg mindre oppmerksom på sikkerhetsreglene for bruken av det aktuelle produktet. Ved MISBRUK eller hvis ikke sikkerhetsreglene i denne bruksanvisningen følges, kan det oppstå alvorlig personskade.

Viktige sikkerhetsanvisninger for batteriinnsetts

1. **Før du begynner å bruke batteriet, må du lese alle anvisninger og forsiktighetsregler på (1) batteriladeren, (2) batteriet og (3) det produktet batteriet skal brukes i.**
 2. **Ikke demonter eller tukle batteriet.** Det kan føre til brann, overoppheting eller eksplosjon.
 3. **Hvis driftstiden er blitt vesentlig kortere, må du omgående slutte å bruke maskinen.** Hvis ikke kan resultatet bli overoppheting, mulige forbrenninger eller til og med en eksplosjon.
 4. **Hvis du får elektrolytt i øynene, må du skylle dem med store mengder rennende vann og oppsøke lege med én gang.** Denne typen uhell kan føre til varig blindhet.
 5. **Ikke kortslutt batteriet:**
 - (1) De kan være ekstremt varme og du kan brenne deg.
 - (2) Ikke lagre batteriet i samme beholder som andre metallgjenstander, som for eksempel spiker, mynter osv.
 - (3) Ikke la batteriet komme i kontakt med vann eller regn.
- En kortslutning av batteriet kan føre til et kraftig strømstøt, overoppheting, mulige forbrenninger og til og med til at batteriet går i stykker.
6. **Ikke oppbevar og bruk verktøyet og batteriet på steder hvor temperaturen kan komme opp i eller overskride 50 °C.**
 7. **Ikke sett fyr på batteriet, ikke engang om det er sterkt skadet eller helt utslitt.** Batteriet kan eksplodere hvis det begynner å brenne.

8. **Du må ikke spikre, skjære, klemme, kaste eller miste batteriet, og heller ikke slå en hard gjenstand mot batteriet.** En slik oppførsel kan føre til brann, overoppheting eller eksplosjon.
9. **Ikke bruk batterier som er skadet.**
10. **Lithium-ion-batteriene som medfølger er gjenstand for krav om spesialavfall.** For kommersiell transport, f.eks av tredjeparter eller speditorer, må spesielle krav om pakking og merking følges. Før varen blir sendt, må du forhøre deg med en ekspert på farlig materiale. Ta også hensyn til muligheten for mer detaljerte nasjonale bestemmelser. Bruk teip eller maskeringsteip for å skjule åpne kontakter og pakk inn batteriet på en slik måte at den ikke kan bevege seg rundt i emballasjen.
11. **Når du kasserer batteriinnsetsen, må du ta den ut av verktøyet og avhende den på et sikkert sted.** Følg lokale bestemmelser for avhending av batterier.
12. **Bruk batteriene kun med produkter spesifisert av Makita.** Montere batteriene i produkter som ikke er konforme kan føre til brann, overheting eller elektrolyttlekkasje.
13. **Hvis verktøyet ikke skal brukes over en lengre periode, må batteriet tas ut av verktøyet.**
14. **Under og etter bruk kan batteriet bli varmt og føer til brannskader.** Vær forsiktig med håndteringen av varme batterier.
15. **Ikke berører terminalen på verktøyet rett etter bruk, da den kan bli varm og forårsake brannskader.**
16. **Ikke la spon, støv eller jord sette seg fast i terminalene, hullene og sporene i batteriet.** Det kan føre til at batteriet eller verktøyet blir overopphetet, begynner å brenne, sprekker eller ikke fungerer som det skal, og forårsake brannskader eller personskade.
17. **Med mindre verktøyet støtter bruk nær en høyspent strømlinje, skal ikke batteriet brukes nær en høyspent strømlinje.** Det kan føre til en funksjonsfeil eller at verktøyet eller batteriet slutter å fungere.
18. **Oppbevar batteriet utilgjengelig for barn.**

TA VARE PÅ DISSE INSTRUKSENE.

⚠FORSIKTIG: Bruk kun originale Makita-batterier. Bruk av batterier som har endret seg, eller som ikke er originale Makita-batterier, kan føre til at batteriet sprekker og forårsaker brann, personskader og andre skader. Det vil også ugyldiggjøre garantien for Makita-verktøyet og -laderen.

Tips for å opprettholde maksimal batterilevetid

1. **Lad batteriinnsetsen før den er helt utladet.** Stopp alltid driften av verktøyet og lad batteriinnsetsen når du merker at effekten reduseres.
2. **Lad aldri en batteriinnsets som er fulladet.** Overopplading forkorter batteriets levetid.
3. **Lad batteriet i romtemperatur ved 10 °C - 40 °C.** Et varmt batteri må kjøles ned før lading.

4. **Når batteriet ikke er bruk, skal det tas ut av verktøyet eller laderen.**
5. **Lad batteriet hvis det ikke har vært brukt på en lang stund (over seks måneder).**

Viktige sikkerhetsanvisninger for trådløs enhet

1. **Du må ikke demontere eller tukle med den trådløse enheten.**
2. **Hold den trådløse enheten unna små barn.** Hvis enheten ved et uhell svelges, skal lege kontaktes umiddelbart.
3. **Den trådløse enheten skal kun brukes med Makita-verktøy.**
4. **Ikke utsett den trådløse enheten for regn eller fuktighet.**
5. **Ikke bruk den trådløse enheten på steder den temperaturen overskrider 50 °C.**
6. **Ikke bruk den trådløse enheten på steder der medisinsk utstyr, som pacemakere, er i nærheten.**
7. **Ikke bruk den trådløse enheten på steder der automatiserte enheter er i nærheten.** Hvis automatisert enheter tas i bruk, kan det oppstå en funksjonssvikt eller feil.
8. **Ikke bruk den trådløse enheten på steder med høye temperaturer eller der det kan genereres statisk elektrisitet eller elektrisk støv.**
9. **Den trådløse enheten kan skape elektromagnetiske felt (EMF), men de er ikke skadelige for brukeren.**
10. **Den trådløse enheten er presisjonsinstrument.** Vær forsiktig så du ikke mister eller utsetter den trådløse enheten for slag.
11. **Unngå å berøre den trådløse enhetens tilkoblingspunkt med ubeskyttede hender eller metallmaterialer.**
12. **Du må alltid ta batteriet ut av produktet når du skal installere den trådløse enheten.**
13. **Når du skal åpne sporets lokk, må du unngå steder der støv og vann kan trenge inn i sporet.** Du må alltid sørge for at sporets innløp er rent.
14. **Sett alltid den trådløse enheten inn i riktig retning.**
15. **Ikke trykk for hardt på trådløseaktiveringsknappen på den trådløse enheten, og trykk heller ikke på knappen med en gjenstand med skarp kant.**
16. **Du må alltid lukke sporets lokk under bruk.**
17. **Ikke fjern den trådløse enheten fra sporet mens verktøyet forsynes med strøm.** Det kan føre til en funksjonsfeil i den trådløse enheten.
18. **Ikke fjern klebemerket på den trådløse enheten.**
19. **Ikke sett klebemerker på den trådløse enheten.**
20. **Ikke etterlat den trådløse enheten på et sted der det kan genereres statisk elektrisitet eller elektrisk støv.**
21. **Ikke etterlat den trådløse enheten på et sted der den kan utsettes for mye varme, som i en bil som er parkert i solen.**

22. Ikke etterlat den trådløse enheten på et sted med mye støv eller pulver, eller på et sted der det kan genereres korroderende gass.
23. En plutselig temperaturendring kan få den trådløse enheten til å dugges. Ikke bruk den trådløse enheten før duggen har tørket helt bort.
24. Når du rengjør den trådløse enheten, tørker du forsiktig av den med en tørr, myk klut. Ikke bruk bensin, tynner, ledende fett eller lignende.
25. Når den trådløse enheten skal lagres, oppbevares den i esken som følger med eller en beholder som ikke er statisk.
26. Ikke sett andre enheter med Makitas trådløse enhet inn i sporet på verktøyet.
27. Ikke bruk verktøyet hvis sporets lokk er skadet. Vann, støv om smuss som trenger inn i sporet kan føre til funksjonsfeil.
28. Ikke dra i og/eller vri sporets lokk mer enn nødvendig. Sett lokket tilbake på plass hvis det løsner fra verktøyet.
29. Erstatt sporets lokk hvis det går tapt eller blir skadet.

TA VARE PÅ DISSE INSTRUKSENE.

FUNKSJONSBSKRIVELSE

⚠ FORSIKTIG: Forviss deg alltid om at maskinen er slått av og batteriet tatt ut før du justerer maskinen eller kontrollerer dens mekaniske funksjoner.

Sette inn eller ta ut batteri

⚠ FORSIKTIG: Slå alltid av verktøyet før du setter inn eller fjerner batteriet.

⚠ FORSIKTIG: Hold verktøyet og batteripatronen i et fast grep når du monterer eller fjerner batteripatronen. Hvis du ikke holder verktøyet og batteripatronen godt fast, kan du miste grepet, og dette kan føre til skader på verktøyet og batteripatronen samt personskader.

For å ta ut batteriet må du skyve på knappen foran på batteriet og trekke det ut.

► **Fig.1:** 1. Rød indikator 2. Knapp 3. Batteriinnsetts

Når du skal sette inn batteriet, må du plassere tungen på batteriet på linje med sporet i huset og skyve batteriet på plass. Skyv det helt inn til det går i inngrep med et lite klikk. Hvis du kan se den røde indikatoren på oversiden av knappen, er det ikke fullstendig låst.

⚠ FORSIKTIG: Batteriet må alltid settes helt inn, så langt at den røde indikatoren ikke lenger er synlig. Hvis dette ikke gjøres, kan batteriet falle ut av verktøyet og skade deg eller andre som oppholder seg i nærheten.

⚠ FORSIKTIG: Ikke bruk makt når du setter i batteriet. Hvis batteriet ikke glir lett inn, er det fordi det ikke settes inn på riktig måte.

Indikere gjenværende batterikapasitet

Trykk på sjekk-knappen på batteriet for vise gjenværende batterikapasitet. Indikatorlampene lyser i et par sekunder.

► **Fig.2:** 1. Indikatorlamper 2. Kontrollknapp

Indikatorlamper			Gjenværende batterinivå
Tent	Av	Bliker	
			75 % til 100 %
			50 % til 75 %
			25 % til 50 %
			0 % til 25 %
			Lad batteriet.
			Batteriet kan ha en feil.

MERK: Det angitte nivået kan avvike noe fra den faktiske kapasiteten alt etter bruksforholdene og den omgivende temperaturen.

MERK: Den første (helt til venstre) indikatorlampen vil blinke når batterivernsystemet fungerer.

Batterivernsystem for verktøy/batteri

Verktøyet er utstyrt med et batterivernsystem for verktøy/batteri. Dette systemet kutter automatisk strømmen til motoren for å forlenge verktøyets og batteriets levetid. Verktøyet stopper automatisk under drift hvis verktøyet eller batteriet utsettes for en av følgende tilstander:

Overlastsikring

Når batteriet brukes på en måte som gjør at det bruker unormalt mye strøm, vil verktøyet stoppe, helt automatisk og uten forvarsel. I dette tilfellet må du slå av verktøyet og avslutte bruken som forårsaket at verktøyet ble overbelastet. Slå deretter verktøyet på for å starte det igjen.

Overopphetingsvern

Når verktøyet eller batteriet blir overopphetet, stanser verktøyet automatisk. I denne situasjonen lar du verktøyet og batteriet avkjøles før du starter verktøyet på nytt.

Overutladningsvern

Når det blir batterikapasiteten er utilstrekkelig, stopper verktøyet automatisk. I så fall fjerner du batteriet fra verktøyet og lader det.

Vern mot andre årsaker

Vernesystemet er også laget for beskyttelse av andre grunner som kan skade verktøyet og gjøre at det stan- ser automatisk. Ta alle de følgende forholdsreglene for å fjerne årsakene til at verktøyet har stanset midlertidig mens det er i drift.

1. Skru av verktøyet og sår skruer du verktøyet på igjen for å starte på nytt.
2. Lad opp batteriet/ene eller skift det/dem ut med oppladde batteri(er).
3. La både verktøyet og batteriet/ene kjøle seg ned.

Hvis det ikke blir noen bedring ved å gjenopprette vernesystemet, ta kontakt med det lokale Makita servicesenteret.

Bryterfunksjon

Slå på maskinen ved å trykke på sperreknappen. Maskinen går til ventemodus. Start maskinen med å trykke på start/stopp-knappen i ventemodus. Stopp maskinen ved å trykke på start/stopp-knappen igjen. Maskinen går til ventemodus. Slå av maskinen med å trykke på sperreknappen i ventemodus.

► **Fig. 3:** 1. Sperreknapp 2. Start/stopp-knapp

MERK: Hvis maskinen er inaktiv i ventemodus i mer enn 10 sekunder, slår maskinen seg av automatisk, og lampen slukkes.

MERK: Du kan også stoppe og slå av maskinen ved å trykke på sperreknappen mens maskinen er i drift.

Tenne frontlampen

⚠FORSIKTIG: Ikke se inn i lyset eller se direkte på lyskilden.

Slå på lampen ved å trykke på sperreknappen. Slå av lampen ved å trykke på sperreknappen igjen.

OBS: Lampen blinker når verktøyet er overopp- hetet. Kjøl ned verktøyet helt før du bruker det igjen.

MERK: Bruk en tørr klut til å tørke støv osv. av lam- pelinsen. Vær forsiktig så det ikke blir riper i lampelin- sen, da dette kan redusere lysstyrken.

► **Fig. 4:** 1. Lampe

Hastighetsinnstillingshjul

Maskinens rotasjonshastighet kan endres ved å dreie på hastighetsinnstillingshjulet. Tabellen nedenfor hvis tallet på innstillingshjulet og den tilsvarende rotasjonshastigheten.

► **Fig. 5:** 1. Hastighetsinnstillingshjul

Tall	Hastighet
1	10 000 min ⁻¹
2	15 000 min ⁻¹
3	21 000 min ⁻¹
4	26 000 min ⁻¹
5	31 000 min ⁻¹

⚠FORSIKTIG: Ikke endre rotasjonshastigheten under bruk. En uventet reaksjon fra verktøyet kan føre til personskade.

OBS: Hvis maskinen brukes lenge og kontinu- erlig på lav hastighet, vil motoren bli overbelastet og slutte å virke som den skal.

OBS: Hastighetsjusteringshjulet kan kun dreies til 5 og så tilbake til 1. Ikke prøv å dreie det forbi 5 eller 1, da det kan føre til at hastighetsinnstillings- funksjonen slutter å virke.

Elektronisk funksjon

Maskinen er utstyrt med de elektroniske funksjonen for å gjøre den enkel å bruke.

- Konstant hastighetskontroll
Hastighetskontrollfunksjonen sørger for konstant rotasjonshastighet uavhengig av belastningsforhold.
- Myk start
Myk start-funksjonen reduserer oppstartssjokket til et minimum, og gjør at maskinen starter mykt.
- Myk brems
Verktøyet stopper forsiktig med den myke brem- sen. Den myke bremsen forhindrer skade på arbeidsstykket som følge av tilbaketrekking og gjør det mulig å starte neste operasjon tidligere. Hvis verktøyet gjentatte ganger ikke stopper tilskjæ- ringsmaskinen etter at bryteren slås av, må du få gjennomført service ved et Makita servicesenter.

MONTERING

⚠FORSIKTIG: Forviss deg alltid om at maski- nen er slått av og batteriet tatt ut før du utfører noe arbeid på maskinen.

Monter eller demonter tilskjæringsbits

OBS: Ikke stram kjøksmutteren uten at du mon- terer et tilskjæringsbits, ellers kan patronkonusen brette.

Sett tilskjæringsbitsen helt inn i kjøkskonusen. Trykk på spindellåsen og stram til kjøksmutteren med skiftenøkkel.

► **Fig. 6:** 1. Spindellås 2. Løsne 3. Stramme
4. Skrunøkkel 5. Kjøksmutter

Du kan også stramme til kjøksmutteren med de to skiftenøkklene.

► **Fig. 7:** 1. Skrunøkkel 2. Løsne 3. Stramme
4. Kjøksmutter

Ta ut tilskjæringsbitset ved å følge monteringsprosedy- ren i motsatt rekkefølge.

MERK: Det kan hende at spindellåsen ikke går tilbake til opprinnelig stilling når du strammer kjøksmutteren ved montering av tilskjæringsbitsen. Spindellåsen går tilbake til opprinnelig stilling når du starter verktøyet.

► **Fig. 8:** 1. Spindellås

Bytte ut patronkonusen

⚠️FORSIKTIG: Bruk riktig størrelse på patronkonusen for tilskjæringsbitset du tenker å bruke.

⚠️FORSIKTIG: Ikke stram kjoksmutteren uten at du monterer et tilskjæringsbits, ellers kan patronkonusen brekke.

1. Løsne kjoksmutteren, og fjern den.
2. Bytt ut patronkonusen som er montert med ønsket patronkonus.
3. Sett kjoksmutteren tilbake på plass.
▶ **Fig.9:** 1. Patronkonus 2. Kjoksmutter

Montere eller demontere foten på tilskjæringsmaskinen

1. Åpne sperrehendelen på foten på tilskjæringsmaskinen, og sett maskinen inn i foten på tilskjæringsmaskinen mens du innretter maskinen med fremspringet på foten på tilskjæringsmaskinen.

2. Lukk sperrehendelen.
▶ **Fig.10:** 1. Sperrehendel

MERK: Du kan bruke foten på tilskjæringsmaskinen (harpiks) som valgfritt tilbehør som vist i figuren. Når du bruker foten på tilskjæringsmaskinen (harpiks), løsner eller strammer du fingermutteren i stedet for å åpne eller lukke låsehendelen.

Rettt inn tannstangen på verktøyet etter sporehullet på tilskjæringsmaskinen.

- ▶ **Fig.11:** 1. Fingermutter 2. Tannstang 3. Sporehjul

3. Fest støvmunnstykket til foten på tilskjæringsmaskinen, og stram deretter fingerskruen.

- ▶ **Fig.12:** 1. Støvmunnstykke 2. Fingerskrue
▶ **Fig.13**

Demonter foten ved å følge monteringsprosedyren i motsatt rekkefølge.

⚠️FORSIKTIG: Sørg for å montere støvmunnstykket på foten på tilskjæringsmaskinen før du bruker maskinen med foten på tilskjæringsmaskinen.

Montere eller demontere vippefoten

Valgfritt tilbehør

1. Åpne sperrehendelen på vippefoten, og sett maskinen inn i vippefoten mens du innretter maskinen med fremspringet på vippefoten.

2. Lukk sperrehendelen.
▶ **Fig.14:** 1. Sperrehendel

Demonter foten ved å følge monteringsprosedyren i motsatt rekkefølge.

Montere eller demontere den forskjøvede foten

Valgfritt tilbehør

1. Trykk på spindellåsen, og deretter løsner du kjoksmutteren.

- ▶ **Fig.15:** 1. Kjoksmutter 2. Spindellås 3. Skrunøkkel

2. Fjern kjoksmutteren og kjokskonusen.

- ▶ **Fig.16:** 1. Kjoksmutter 2. Kjokskonus

3. Monter trinsen på verktøyet ved å trykke på spindellåsen og stramme trinsen med en skrunøkkel.

- ▶ **Fig.17:** 1. Skrunøkkel 2. Trinse 3. Spindellås

4. Løse skruene på fotplaten, og fjern fotplaten.

- ▶ **Fig.18:** 1. Fotplate

5. Åpne sperrehendelen på den forskjøvede foten, og fest deretter den forskjøvede foten til verktøyet.

- ▶ **Fig.19:** 1. Sperrehendel

6. Monter beltet til trinsen med en pinne som en sporskutrekker ved å rotere beltet manuelt.

- ▶ **Fig.20:** 1. Trinse 2. Bånd

7. Lukk sperrehendelen.

- ▶ **Fig.21:** 1. Sperrehendel

8. Fest fotplaten ved å stramme skruene.

- ▶ **Fig.22:** 1. Fotplate

9. Sett kjokskonusen og tilskjæringsbitsen inn i den forskjøvede foten, og stram deretter kjoksmutteren.

- ▶ **Fig.23:** 1. Tilskjæringsbits 2. Kjoksmutter 3. Kjokskonus

10. Sett sekskantnøkkel inn i hullet i den forskjøvede foten, og stram deretter kjoksmutteren med skrunøkkel.

- ▶ **Fig.24:** 1. Kjoksmutter 2. Skrunøkkel 3. Sekskantnøkkel

Demonter foten ved å følge monteringsprosedyren i motsatt rekkefølge.

MERK: Du kan også montere båndet på trinsen uten å fjerne fotplaten, som vist i figuren.

- ▶ **Fig.25:** 1. Trinse 2. Bånd

Montere eller demontere senkefoten

Valgfritt tilbehør

1. Åpne sperrehendelen på senkefoten, og sett maskinen helt inn i senkefoten mens du innretter maskinen med fremspringet på senkefoten.

2. Lukk sperrehendelen.
▶ **Fig.26:** 1. Sperrehendel

Demonter foten ved å følge monteringsprosedyren i motsatt rekkefølge.

Montere eller demontere parallellinjalen på senkefoten

Valgfritt tilbehør

Sett føringsstengene inn i hullene i senkefoten, og stram deretter vingeboltene. Demonter linjalene ved å følge monteringsprosedyren i motsatt rekkefølge.

- ▶ **Fig.27:** 1. Vingebolt 2. Føringsstang

Montere eller demontere støvmunnstykket på senkefoten

Sett støvmunnstykket inn i senkefoten slik at fremspringet på støvmunnstykket går inn i hakket i senkefoten, og stram deretter fingerskruen på støvmunnstykket.

Demonter munnstykket ved å følge monteringsprosedyren i motsatt rekkefølge.

- **Fig.28:** 1. Fremspring 2. Støvmunnstykke
3. Fingerskrue

► **Fig.29**

BRUK

Justere skjæredybde

Hvis du vil justere skjæredybden, åpner du sperrehendelen, og deretter flytter du maskinfoten opp eller ned ved å vri på justeringsskruen. Etter justering må du lukke sperrehendelen godt.

- **Fig.30:** 1. Sperrehendel 2. Justeringsskrue

OBS: Hvis maskinen ikke er festet selv om sperrehendelen er lukket, strammer du sekskantmutteren, og deretter lukker du sperrehendelen.

- **Fig.31:** 1. Sekskantmutter

Justere skjæredybde med senkefoten

Valgfritt tilbehør

1. Plasser maskinen på den flate underlaget.
2. Velg stopperskruen ved å rotere stopperfoten.
► **Fig.32:** 1. Stopperskrue 2. Stopperfot
3. Løsne festemutteren, og dra deretter stopperstangen oppover mens du trykker på mateknappen.

- **Fig.33:** 1. Stopperstang 2. Festemutter
3. Mateknapp

4. Skyv maskinen ned til spissen av tilskjæringsbiten berører det flate underlaget, og drei deretter festespaken for å feste maskinen.

- **Fig.34:** 1. Festespak 2. Tilskjæringsbits

5. Trykk stopperstangen nedover samtidig som du trykker på mateknappen, til stangen kommer i kontakt med stopperskruen.

- **Fig.35:** 1. Stopperstang 2. Stopperskrue
3. Mateknapp

6. Skyv dybdepekeren slik at pekeren angir "0" på skalaen.

- **Fig.36:** 1. Dybdepeker

7. Juster skjæredybden ved å dra stopperstangen oppover mens du trykker på mateknappen.

- **Fig.37:** 1. Stopperstang 2. Mateknapp

8. Hvis du vil finjustere skjæredybden, dreier du innstillingshjulet på stopperstangen slik at det angir "0".

- **Fig.38:** 1. Innstillingshjul

9. Drei hodet på stopperstangen for å oppnå ønsket dybde. Hvis du vil øke dybden, dreier du hodet mot klokken. Hvis du vil redusere dybden, dreier du hodet med klokken. (Dybden endres med 1 mm per omdreining.)

- **Fig.39:** 1. Hode på stopperstangen

10. Stram stopperstangens festemutter.

- **Fig.40:** 1. Festemutter

11. Slipp festespaken.

- **Fig.41:** 1. Festespak

Ved å trykke ned verktøyet til stopperstangen møter stopperskruen, kan du oppnå kutt i henhold til dybden du justerte i fremgangsmåten ovenfor.

Bruke maskinen med foten på tilskjæringsmaskinen

Sett verktøyet på arbeidsstykket uten at tilskjæringsbitset kommer i kontakt med arbeidsstykket. Slå på verktøyet, og vent til tilskjæringsbitset oppnår full hastighet. Beveg verktøyet fremover på arbeidsstykkets overflate. Hold verktøyet i flukt med arbeidsstykket mens du beveger verktøyet.

Når du skal skjære kanten, må arbeidsstykkets overflate være på venstre side av tilskjæringsbitsets i materetningen.

- **Fig.42**

MERK: Det anbefales å foreta en prøveskjæring før du skjærer selve arbeidsstykket. Riktig matehastighet avhenger av størrelsen på tilskjæringsbitset, arbeidsstykketypen og skjæredybden. Beveger du verktøyet forover for raskt, kan det resultere i dårlig skjærekvalitet eller skader på tilskjæringsbitset eller i motoren. Beveger du maskinen for sakte, kan du brenne eller skade skjæreoverflaten.

Når du bruker skjæreskoen, den rette føringen eller skjæreføringen, må du forsikre deg om at de er på riktig side i materetningen. Dette vil hjelpe deg med å holde den i flukt med siden på arbeidsstykket.

- **Fig.43:** 1. Tilskjæringsbits 2. Arbeidsstykke 3. Rett føring

OBS: Siden for mye skjæring kan overbelaste motoren eller skape vanskeligheter med å kontrollere verktøyet, må ikke skjæredybden være mer enn 3 mm på det dypeste når du skjærer spor. Hvis du ønsker å frese sporene dypere enn 3 mm, må du foreta flere skjæringer med gradvis dypere innstillinger.

Bruke den rette føringen

1. Monter den rette føringen med skruen og vingemutteren.

- **Fig.44:** 1. Skru 2. Vingemutter

2. Fest den rette føringen på foten på tilskjæringsmaskinen med klemskruen.

- **Fig.45:** 1. Klemskrue

3. Løsne vingemutteren på den rette føringen og juster avstanden mellom tilskjæringsbitset og føringen. Stram vingemutteren i ønsket avstand.

- **Fig.46:** 1. Vingemutter

4. Beveg verktøyet med den rette føringen i flukt med siden på arbeidsstykket.

► Fig.47

Hvis avstanden (A) mellom siden på arbeidsstykket og skjærestillingen er for bred for den rette føringen, eller hvis arbeidsstykket ikke er rett, kan ikke denne føringen brukes.

I slike tilfeller må du klemme fast en rett planke til arbeidsstykket og bruke denne som en føring mot foten på tilskjæringsmaskinen. Mat maskinen i pilens retning.

► Fig.48

Bruke den rette føringen til sirkelarbeid

Denne rette føringen monteres som vist i figurene når du skal utføre sirkelarbeid. Minimums- og maksimalradius for sirkelene som skal skjæres (avstand mellom senter i sirkelen og senter på tilskjæringsbitset) er som følger:

- Minimum: 70 mm
- Maksimum: 221 mm

For å skjære sirkler mellom 70 mm og 121 mm i radius.

► Fig.49: 1. Senterhull

For å skjære sirkler mellom 121 mm og 221 mm i radius.

► Fig.50: 1. Senterhull

MERK: Sirkler med radius mellom 172 mm og 186 mm kan ikke skjæres ved hjelp av denne føringen.

Rett inn senterhullet i den rette føringen mot senter i sirkelen som skal skjæres. Slå en spiker på under 6 mm i diameter inn i senterhullet for å sikre føringen. Drei maskinen rundt spikeren med klokken.

► Fig.51: 1. Spiker 2. Senterhull

Bruke malføringen

Malføringen gjør det mulig å utføre gjentatte skjæringer med malmønster ved å bruke en mal.

1. Løse skruene på fotplaten, og fjern deretter fotplaten fra foten på tilskjæringsmaskinen.

2. Plasser malføringen på foten, og fest deretter fotplaten ved å stramme skruene.

► Fig.52: 1. Fotplate 2. Malføring

3. Plasser verktøyet på malen, og beveg verktøyet slik at malføringen glir langs siden på malen.

► Fig.53

MERK: Det faktiske skjærestørrelsen på arbeidsstykket avviker noe fra malen. Avviket er avstanden (X) mellom tilskjæringsbitset og utsiden av malføringen. Avstanden (X) kan beregnes med følgende ligning:

Avstand (X) = (utvendig diameter på malføringen – tilskjæringsbitsdiameter) / 2

► Fig.54: 1. Tilskjæringsbits 2. Malføring 3. Avstand (X) 4. Malføringens utvendige diameter 5. Mal 6. Arbeidsstykke

Bruke skjæreføringen

Valgfritt tilbehør

Skjæreføringen gjør det mulig å skjære den buede siden av finér for møbler ved å bevege føringsrullen langs siden av arbeidsstykket.

► Fig.55

1. Løsne klemskruen, og deretter monterer du skjæreføringen på foten på tilskjæringsmaskinen før du strammer klemskruen.

► Fig.56: 1. Klemskrue

2. Løsne klemskruen, og juster avstanden mellom tilskjæringsbitset og skjæreføringen ved å dreie på justeringsskruen (1 mm per omdreining). Når avstanden er slik du vil ha den, må du stramme klemskruen for å feste skjæreføring på riktig sted.

► Fig.57: 1. Justeringskrue 2. Klemskrue

3. Beveg verktøyet med føringsrullen langs siden på arbeidsstykket.

► Fig.58: 1. Arbeidsstykke 2. Tilskjæringsbits 3. Føringsrull

Bruke maskinen med vippefoten

Vippefoten brukes for tilpasning av kanten på laminatplater eller tilsvarende materialer.

Vippefoten er praktisk for skråskjæring. Løsne vingeskruene, og vipp deretter maskinen i ønsket vinkel før du strammer vingeskruene.

Klem en rett planke fast mot arbeidsstykket, og bruk den som en føring mot vippefoten. Mat maskinen i pilens retning.

► Fig.59: 1. Vingeskruer

Bruke vippefotplaten med foten på tilskjæringsmaskinen

Hvis du vil bruke foten på tilskjæringsmaskinen med en firkantet fotplate, fjerner du fotplaten fra vippefoten og fester den til foten på tilskjæringsmaskinen.

► Fig.60: 1. Vippefotplate 2. Fotplate på tilskjæringsmaskinen

OBS: Bruk skruer på foten på tilskjæringsverktøyet når du monterer vippefotplaten. Skruene på vippefoten er kortere enn skruene på foten til tilskjæringsmaskinen.

Bruke maskinen med den forskjøvede foten

Den forskjøvede foten brukes for tilpasning av kanten på laminatplater eller tilsvarende materialer. Den forskjøvede foten er nyttig for jobbing på trange steder.

► Fig.61

Bruke foten på tilskjæringsmaskinen med den forskjøvede fotplaten og grep

Den forskjøvede fotplaten kan også brukes med en fot på tilskjæringsmaskinen og et håndtakfeste (valgfritt tilbehør) for bedre stabilitet.

1. Løse skruene på den forskjøvede fotplaten, og fjern deretter den forskjøvede fotplaten fra den forskjøvede foten.

► **Fig.62:** 1. Forskjøvet fotplate 2. Fotplate på tilskjæringsmaskinen

2. Fest den forskjøvede fotplaten til foten på tilskjæringsmaskinen ved å stramme skruene.

3. Fest håndtakfestet og stanghåndtaket til den forskjøvede fotplaten ved å stramme skruene.

► **Fig.63:** 1. Stanghåndtak 2. Håndtakfeste

Kulehåndtaket som er demontert fra senkefoten kan monteres på den forskjøvede foten i stedet for stanghåndtaket.

► **Fig.64:** 1. Skruer 2. Kulehåndtak

Bruke maskinen med senkefoten

Hold alltid godt fast i håndtakene med begge hendene ved bruk. Bruk verktøyet på sammen måte som foten på tilskjæringsmaskinen.

Bruke den rette føringen

Valgfritt tilbehør

1. Monter den rette føringen på føringsholderen ved å stramme vingemutteren. Sett føringsholderen inn i hullene i senkefoten, og stram deretter vingeboltene.

► **Fig.65:** 1. Vingebolt 2. Føringsholder 3. Vingemutter 4. Rett føring

2. Løsne vingemutteren på den rette føringen og juster avstanden mellom tilskjæringsbitset og føringen. Stram vingemutteren i ønsket avstand.

► **Fig.66:** 1. Vingemutter

3. Bruk verktøyet på sammen måte som den rette føringen for foten på tilskjæringsmaskinen.

► **Fig.67**

Bruke malføringen

Valgfritt tilbehør

1. Løsne skruene på foten, og fjern dem. Plasser malføringen på foten, og stram deretter skruene.

► **Fig.68:** 1. Skruer 2. Malføring

2. Bruk verktøyet på sammen måte som malføringen for foten på tilskjæringsmaskinen.

► **Fig.69**

Bruke parallellinjalen

Parallellinjalen er nyttig når du skal skraskjære eller skjære spor. Juster avstanden mellom tilskjæringsbitset og parallellinjalen. Når avstanden er slik du vil ha den, må du stramme vingeboltene for å feste parallellinjalen. Når du skjærer, må du bevege verktøyet med parallellinjalen i flukt med siden på arbeidsstykket.

► **Fig.70**

Hvis avstanden (A) mellom siden på arbeidsstykket og skjærestillingen er for bred for parallellinjalen, eller hvis arbeidsstykket ikke er rett, kan ikke parallellinjalen brukes. I slike tilfeller må du klemme fast en rett planke til arbeidsstykket og bruke denne som en føring mot senkefoten. Mat maskinen i pilens retning.

► **Fig.71**

Bytte fra kulehåndtak til stanghåndtak

Når du skal montere stanghåndtaket på senkefoten, løsner du skruen på kulehåndtaket, fjerner kulehåndtaket og monterer deretter stanghåndtaket ved å stramme det.

► **Fig.72:** 1. Kulehåndtak 2. Skruer 3. Stanghåndtak

TRÅDLØSAKTIVERINGSFUNKSJON

Hva du kan gjøre med trådløsaaktiveringsfunksjonen

Trådløsaaktiveringsfunksjonen muliggjør ren og behagelig bruk. Hvis du kobler en støttet støvsuger til verktøyet, kan du bruke støvsugeren automatisk sammen med verktøyet bryterfunksjon.

► **Fig.73**

Hvis du vil bruke trådløsaaktiveringsfunksjonen, må du klargjøre følgende elementer:

- En trådløs enhet (valgfritt tilbehør)
- En støvsuger som støtter trådløsaaktiveringsfunksjonen

Oversikten over innstillingen for trådløsaaktiveringsfunksjonen er som følger. Du finner detaljerte fremgangsmåter i hver enkelt del.

1. Installere den trådløse enheten
2. Verktøyregistrering for støvsugeren
3. Starte trådløsaaktiveringsfunksjonen

Installere den trådløse enheten

Valgfritt tilbehør

⚠FORSIKTIG: Plasser verktøyet på et flatt og stabilt underlag når du skal installere den trådløse enheten.

OBS: Fjern støv og smuss på verktøyet før du installerer den trådløse enheten. Støv eller smuss kan føre til funksjonsfeil hvis det trenger inn i den trådløse enhetens spor.

OBS: For å unngå funksjonsfeil som følge av statisk elektrisitet, berører du et statisk utladningsmateriale, som en av verktøyetts metalldele, før du tar i den trådløse enheten.

OBS: Når du installerer den trådløse enheten, må du passe på at den trådløse enheten settes inn i riktig rettet og at lokket lukkes helt igjen.

1. Åpne lokket på verktøyet som vist i figuren.

► **Fig.74:** 1. Lokk

2. Sett den trådløse enheten inn i sporet, og lukk lokket.

Når du setter inn den trådløse enheten, innretter du fremspringene med de utsparte delene på sporet.

- **Fig.75:** 1. Trådløs enhet 2. Fremspring 3. Lokk 4. Utspart del

Når du fjerner den trådløse enheten, må du åpne lokket sakte. Krokene på baksiden av lokket vil løfte den trådløse enheten når du drar i lokket.

► **Fig.76:** 1. Trådløs enhet 2. Krok 3. Løkk

Etter at du har fjernet den trådløse enheten, oppbevares den i esken som følger med eller en beholder som ikke er statisk.

OBS: Du må alltid bruke krokene på baksiden av lokket når du fjerner den trådløse enheten. Hvis krokene ikke hekter seg fast i den trådløse enheten, lukker du lokket helt og åpner det sakte på nytt.

Verktøyregistrering for støvsugeren

MERK: En Makita-støvsuger som støtter trådløse aktiveringsfunksjoner er nødvendig for verktøyregistrering.

MERK: Fullfør installasjonen av den trådløse enheten i verktøyet før du starter verktøyregistreringen.

MERK: Du må ikke dra i startbryteren eller slå på strømbryteren på støvsugeren under verktøyregistrering.

MERK: Les i tillegg brukerveiledningen for støvsugeren.

Hvis du ønsker å aktivere støvsugeren sammen med verktøyet bryterfunksjon, må du fullføre verktøyregistreringen på forhånd.

1. Sett batteriene i støvsugeren og verktøyet.
2. Still ventebryteren på støvsugeren på "AUTO".
► **Fig.77:** 1. Ventebryter
3. Trykk på trådløse aktiveringsknappen på støvsugeren i 3 sekunder til trådløse aktiveringslampen blinker grønt. Deretter trykker du på trådløse aktiveringsknappen på verktøyet på samme måte.
► **Fig.78:** 1. Trådløse aktiveringsknapp
2. Trådløse aktiveringslampe

Hvis koblingen av støvsugeren og verktøyet lykkes, vil trådløse aktiveringslampene lyse grønt i 2 sekunder og begynner å blinke blått.

MERK: Trådløse aktiveringslampene slutter å blinke grønt når det har gått 20 sekunder. Trykk på trådløse aktiveringsfunksjonen på verktøyet mens trådløse aktiveringslampen på støvsugeren blinker. Hvis trådløse aktiveringslampen ikke blinker grønt, trykker du på trådløse aktiveringsknappen et kort øyeblikk og holder den inne igjen.

MERK: Når du utfører to eller flere verktøyregistreringer for én støvsuger, fullfører du verktøyregistreringen en etter en.

Starte trådløse aktiveringsfunksjonen

MERK: Fullfør verktøyregistreringen for støvsugeren før trådløse aktiveringen.

MERK: Les i tillegg brukerveiledningen for støvsugeren.

Etter at et verktøy er registrert til støvsugeren, vil støvsugeren automatisk svive sammen med verktøyet bryterfunksjon.

1. Installer den trådløse enheten i verktøyet.
2. Koble støvsugerens slange til verktøyet.
► **Fig.79**
3. Still ventebryteren på støvsugeren på "AUTO".
► **Fig.80:** 1. Ventebryter
4. Trykk et kort øyeblikk på trådløse aktiveringsknappen på verktøyet. Trådløse aktiveringslampen vil blinke blått.
► **Fig.81:** 1. Trådløse aktiveringsknapp
2. Trådløse aktiveringslampe
5. Slå på verktøyet. Kontroller om støvsugeren går mens verktøyet er i drift.

Hvis du vil stanse støvsugerens trådløse aktivering, trykker du på trådløse aktiveringsknappen på verktøyet.

MERK: Trådløse aktiveringslampen på verktøyet vil slutte å blinke blått når verktøyet ikke har blitt brukt på 2 timer. Da setter du i tilfelle ventebryteren på støvsugeren på "AUTO" og trykker på trådløse aktiveringsknappen på verktøyet igjen.

MERK: Støvsugeren starter/stopper med en forsinkelse. Det er en tidsforsinkelse når støvsugeren oppdater at en bryter på verktøyet er trykket på.










MERK: Det trådløse enhetens overføringsavstand kan variere avhengig av sted og omgivelsesforhold.

MERK: Når to eller flere verktøy er registrert til én støvsuger, kan det hende at støvsugeren begynner å kjøre selv om du ikke slår på verktøyet fordi en annen bruker bruker trådløse aktiveringsfunksjonen.

Beskrivelse av trådløsaktiveringslampe status

► Fig.82: 1. Trådløsaktiveringslampe

Trådløsaktiveringslampe viser statusen til trådløsaktiveringsfunksjonen. Du finner informasjon om lampestatusens betydning i tabellen nedenfor.

Status	Trådløsaktiveringslampe				Beskrivelse
	Farge	 På	 Blinker	Varighet	
Ventemodus	Blå			2 timer	Trådløsaktivering av støvsugeren er tilgjengelig. Lampen vil slå seg av når verktøyet ikke har blitt brukt på 2 timer.
				Når verktøyet sviver.	Trådløsaktivering av støvsugeren er tilgjengelig, og verktøyet sviver.
Verktøyregistrering	Grønn			20 sekunder	Klar for verktøyregistrering. Venter på registrering av støvsugeren.
				2 sekunder	Verktøyregistreringen er fullført. Trådløsaktiveringslampe vil begynne å blinke blått.
Avbryt verktøyregistrering	Rød			20 sekunder	Klar for å avbryte verktøyregistrering. Venter på at støvsugeren skal avbryte.
				2 sekunder	Verktøyregistreringen er avbrutt. Trådløsaktiveringslampe vil begynne å blinke blått.
Andre	Rød			3 sekunder	Den trådløse enheten forsynes med strøm, og trådløsaktiveringsfunksjonen starter opp.
	Av	-		-	Trådløsaktivering av støvsugeren stanses.

Avbryt verktøyregistrering for støvsugeren

Gå frem på følgende måte når du skal avbryte verktøyregistrering for støvsugeren.

1. Sett batteriene i støvsugeren og verktøyet.
2. Still ventebryteren på støvsugeren på "AUTO".

► Fig.83: 1. Ventebryter

3. Trykk på trådløsaktiveringsknappen på støvsugeren i 6 sekunder. Trådløsaktiveringslampe blinker grønt og blir deretter rød. Deretter trykker du på trådløsaktiveringsknappen på verktøyet på samme måte.

► Fig.84: 1. Trådløsaktiveringsknapp 2. Trådløsaktiveringslampe

Hvis avbrytingen er vellykket, vil trådløsaktiveringslampene lyse rødt i 2 sekunder og begynne å blinke blått.

MERK: Trådløsaktiveringslampene slutter å blinke rødt når det har gått 20 sekunder. Trykk på trådløsaktiveringsfunksjonen på verktøyet mens trådløsaktiveringslampe på støvsugeren blinker. Hvis trådløsaktiveringslampe ikke blinker rødt, trykker du på trådløsaktiveringsknappen et kort øyeblikk og holder den inne igjen.

Feilsøking for trådløstaktiveringsfunksjonen

Inspiser utstyret selv før du bestiller reparasjon. Ikke prøv å demontere verktøyet hvis du finner et problem som ikke er forklart i brukerveiledningen. I stedet bør du ta kontakt med et av Makitas autoriserte servicesentre, som alltid bruker reservedeler fra Makita til reparasjoner.

Unormal tilstand	Sannsynlig årsak (feil)	Løsning
Trådløstaktiveringslampen tennes/ blinker ikke.	Den trådløse enheten er ikke installert i verktøyet. Den trådløse enheten er installert på feil måte i verktøyet.	Installer den trådløse enheten på riktig måte.
	Det trådløse enhetens tilkoblingspunkt og/eller spor er tilsmusset.	Tørk forsiktig bort støv og smuss på den trådløse enhetens tilkoblingspunkt, og rengjør sporet.
	Du har ikke trykket på trådløstaktiveringsknappen.	Trykk et kort øyeblikk på trådløstaktiveringsknappen på verktøyet.
	Ventebryteren på støvsugeren er ikke stilt inn på "AUTO".	Still ventebryteren på støvsugeren på "AUTO".
	Ingen strømforsyning	Sørg for at verktøyet og støvsugeren har strømforsyning.
Kan ikke fullføre verktøyregistrering/ avbryte verktøyregistrering.	Den trådløse enheten er ikke installert i verktøyet. Den trådløse enheten er installert på feil måte i verktøyet.	Installer den trådløse enheten på riktig måte.
	Det trådløse enhetens tilkoblingspunkt og/eller spor er tilsmusset.	Tørk forsiktig bort støv og smuss på den trådløse enhetens tilkoblingspunkt, og rengjør sporet.
	Ventebryteren på støvsugeren er ikke stilt inn på "AUTO".	Still ventebryteren på støvsugeren på "AUTO".
	Ingen strømforsyning	Sørg for at verktøyet og støvsugeren har strømforsyning.
	Feil bruk	Trykk på trådløstaktiveringsknappen et kort øyeblikk, og utfør verktøyregistrering/avbryting på nytt.
	Verktøyet og støvsugeren er for langt unna hverandre (utenfor overføringsområdet).	Sørg for at verktøyet og støvsugeren er nærmere hverandre. Maksimal overføringsavstand er ca. 10 m, men den kan variere avhengig av forholdene.
	Før du fullfører verktøyregistrering/ avbryting: - bryteren på verktøyet er slått på, eller - startknappen på støvsugeren er slått på.	Trykk på trådløstaktiveringsknappen et kort øyeblikk, og utfør verktøyregistrering/avbryting på nytt.
	Verktøyregistreringen for verktøyet eller støvsugeren er ikke fullført.	Følg fremgangsmåten for verktøyregistrering for både verktøyet og støvsugeren samtidig.
Støvsugeren svinger ikke sammen med verktøets bryterfunksjon.	Radioforstyrrelse fra andre innretninger som genererer radiobølger med høy intensitet.	Hold verktøyet og støvsugeren borte fra innretninger som WiFi-enheter og mikrobølgeovner.
	Den trådløse enheten er ikke installert i verktøyet. Den trådløse enheten er installert på feil måte i verktøyet.	Installer den trådløse enheten på riktig måte.
	Det trådløse enhetens tilkoblingspunkt og/eller spor er tilsmusset.	Tørk forsiktig bort støv og smuss på den trådløse enhetens tilkoblingspunkt, og rengjør sporet.
	Du har ikke trykket på trådløstaktiveringsknappen.	Trykk på trådløstaktiveringsknappen et kort øyeblikk, og kontroller at trådløstaktiveringslampen blinker blått.
	Ventebryteren på støvsugeren er ikke stilt inn på "AUTO".	Still ventebryteren på støvsugeren på "AUTO".
	Mer enn 10 verktøy er registrert til støvsugeren.	Utfør verktøyregistreringen på nytt. Hvis mer enn 10 verktøy er registrert til støvsugeren, vil det først registrerte verktøyet bli fjernet automatisk.
	Støvsugeren slettet alle verktøyregistreringer.	Utfør verktøyregistreringen på nytt.
	Ingen strømforsyning	Sørg for at verktøyet og støvsugeren har strømforsyning.
	Verktøyet og støvsugeren er for langt unna hverandre (utenfor overføringsområdet).	Sørg for at verktøyet og støvsugeren er nærmere hverandre. Maksimal overføringsavstand er ca. 10 m, men den kan variere avhengig av forholdene.
	Radioforstyrrelse fra andre innretninger som genererer radiobølger med høy intensitet.	Hold verktøyet og støvsugeren borte fra innretninger som WiFi-enheter og mikrobølgeovner.
Støvsugeren går mens verktøyet ikke er i drift.	Andre brukere bruker støvsugerens trådløstaktivering med verktøyene sine. Slå av de andre verktøyenes trådløstaktiveringsknapp, eller avbryt verktøyregistrering for andre verktøy.	

VEDLIKEHOLD

⚠️FORSIKTIG: Forviss deg alltid om at maskinen er slått av og batteriet tatt ut før du foretar inspeksjon eller vedlikehold.

OBS: Aldri bruk gasolin, bensin, tynner alkohol eller lignende. Det kan føre til misfarging, deformering eller sprekkdannelse.

For å opprettholde produktets SIKKERHET og PÅLITELIGHET, må reparasjoner, vedlikehold og justeringer utføres av autoriserte Makita servicesentre eller fabrikkerservicesentre, og det må alltid brukes reservedeler fra Makita.

TILSKJÆRINGSBITS

Valgfritt tilbehør

Rette bits

► Fig.85

D	A	L1	L2
6	20	50	15
6	6	50	18
6	8	50	18
8	8	60	25
1/4"	20	50	15
1/4"	6	50	18
1/4"	8	50	18

Enhet:mm

U-sporbits

► Fig.86

D	A	L1	L2	R
6	6	50	18	3
1/4"	6	50	18	3

Enhet:mm

V-sporbits

► Fig.87

D	A	L1	L2	θ
6	20	50	15	90°
1/4"	20	50	15	90°

Enhet:mm

Utjevningsskjærbits for borspiss

► Fig.88

D	A	L1	L2	L3
6	6	60	18	28
8	8	60	20	35
1/4"	6	60	18	28

Enhet:mm

Dobbelt utjevningsskjærbits for borspiss

► Fig.89

D	A	L1	L2	L3	L4
6	6	70	40	12	14
8	8	80	55	20	25
1/4"	6	70	40	12	14

Enhet:mm

Hjørnefresbits

► Fig.90

D	A1	A2	L1	L2	L3	R
6	25	9	48	13	5	8
6	20	8	45	10	4	4
1/4"	25	9	48	13	5	8
1/4"	20	8	45	10	4	4

Enhet:mm

Skråfasebits

► Fig.91

D	A	L1	L2	L3	θ
6	23	46	11	6	30°
6	20	50	13	5	45°
6	20	49	14	2	60°
1/4"	23	46	11	6	30°
1/4"	20	48	13	5	45°
1/4"	20	49	14	2	60°

Enhet:mm

Rund pregingsbits

► Fig.92

D	A	L1	L2	R
6	20	43	8	4
6	25	48	13	8
1/4"	20	43	8	4
1/4"	25	48	13	8

Enhet:mm

Svalehalebits

► Fig.93

D	A	L1	L2	θ
8	12	50	9	30°
8	14,5	55	10	35°
8	14,5	55	14,5	23°
1/4"	12	50	9	30°
1/4"	14,5	55	10	35°
1/4"	14,5	55	14,5	23°

Enhet:mm

Utjevningsskjærbits for kulelager

► Fig.94

D	A	L1	L2
6	10	50	20
1/4"	10	50	20

Enhet:mm

Pregingsbits for kulelager

► Fig.95

D	A1	A2	A3	L1	L2	L3	R
6	20	12	8	40	10	5,5	4
6	26	12	8	42	12	4,5	7
1/4"	20	12	8	40	10	5,5	4
1/4"	26	12	8	42	12	4,5	7

Enhet:mm

Hjørnefresbits for kulelager

► Fig.96

D	A1	A2	L1	L2	L3	R
6	15	8	37	7	3,5	3
6	21	8	40	10	3,5	6
1/4"	15	8	37	7	3,5	3
1/4"	21	8	40	10	3,5	6

Enhet:mm

Skråfasebits for kulelager

► Fig.97

D	A1	A2	L1	L2	θ
6	26	8	42	12	45°
6	20	8	41	11	60°
1/4"	26	8	42	12	45°
1/4"	20	8	41	11	60°

Enhet:mm

Rundt pregingsbits for kulelager

► Fig.98

D	A1	A2	A3	A4	L1	L2	L3	R
6	20	18	12	8	40	10	5,5	3
6	26	22	12	8	42	12	5	5
1/4"	20	18	12	8	40	10	5,5	3
1/4"	26	22	12	8	42	12	5	5

Enhet:mm

Romersk karniss-bits for kulelager

► Fig.99

D	A1	A2	L1	L2	L3	R1	R2
6	20	8	40	10	4,5	2,5	4,5
6	26	8	42	12	4,5	3	6
1/4"	20	8	40	10	4,5	2,5	4,5
1/4"	26	8	42	12	4,5	3	6

Enhet:mm

VALGFRITT TILBEHØR

⚠FORSIKTIG: Det anbefales at du bruker dette tilbehøret eller verktøyet sammen med den Makita-maskinen som er spesifisert i denne håndboken. Bruk av annet tilbehør eller verktøy kan forårsake personskader. Tilbehør og verktøy må kun brukes til det formålet det er beregnet på.

Ta kontakt med ditt lokale Makita-servicesenter hvis du trenger mer informasjon om dette tilbehøret.

- Rette og sporførende bits
- Kantformende bits
- Laminatskjærbits
- Enhet for rett føring
- Skjæreføringseenhet
- Foten på tilskjæringsmaskinen
- Foten på tilskjæringsmaskinen (harpiks)
- Vippefotenhet
- Senkefotenhet
- Forskjøvet fot-enhet
- Håndtakfeste
- Malføring
- Patronkonus
- Skrunøkkel 13
- Skrunøkkel 22
- Trådløs enhet
- Makita originalbatteri og lader

MERK: Enkelte elementer i listen kan være inkludert som standardtilbehør i verktøypakken. Elementene kan variere fra land til land.

Aktuelt tilbehør for denne tilskjæringsmaskinen

Verktøyet kan brukes med følgende tilbehør for ulike formål. Enkelte tilbehør er ikke tilgjengelige i bostedslandet ditt.

► Fig.100

1. **Fot til tilskjæringsmaskin** (metall)
2. **Fot til tilskjæringsmaskin** (harpiks)
Tydelig synlighet av snittet.
3. **Vippefot**
4. **Forskjøvet fot**
5. **Senkefot**
6. **Grepsfeste**
7. **Malføring**
8. **Rettt føring**
9. **Skjæreføring**
10. **Tilskjæringsssko**
Muliggjør nøyaktig kantarbeid. *Bruk med deler av skjæreføringen.
11. **Støvmunnstykke**
12. **Fotplate** (metall)
13. **Firkantet fotplate** (fotplate til vippefot)
14. **Forskjøvet fotplate** (fotplate til forskjøvet fot)
Du kan feste grep ved å bruke forskjøvet fotplate med grepsfeste.
15. **Fotplate** (harpiks)
16. **Grepsfot**
17. **Stanghåndtak**
18. **Kulehåndtak** (grep for senkefot)
19. **Støvmunnstykke** for senkefot
20. **Malføring** for senkefot
21. **Føringsholder**
Dette muliggjør rett føring for skjærefoten som skal brukes på senkefoten.
22. **Parallellinjal**
Funksjon for finjustering av posisjon.
23. **Parallellinjal**
24. **Føringsskinneadapter**
25. **Føringsskinne**
For nøyaktig skjæring i rett linje.
26. **Fasettføring**
For vinkeljustering av føringsskinnen.
27. **Skjøtekobling for føringsskinne** (2 stk.)
For skjøting av to føringsskinner.
28. **Klemme** (standard type)
For å feste føringsskinnen.
29. **Klemme** (hurtig type)
For å feste føringsskinnen.
30. **Sete**
Reparer deler av føringsskinnen for øvre plasttape.
31. **Gummisete**
Reparer deler av føringsskinnen for nedre gummitape.
32. **Posisjonssete**
Reparer deler av føringsskinnen for nedre posisjonssete.

► Fig.101

TEKNISET TIEDOT

Malli:	RT001G	
Kiristysholkin kapasiteetti	6 mm, 8 mm tai 1/4"	
Kuormittamaton kierrosnopeus	10 000 - 31 000 min ⁻¹	
Kokonaiskorkeus	BL4025:n kanssa	245 mm
	BL4040:n kanssa	251 mm
Nimellisjännite	DC 36 V – 40 V maks.	
Nettopaino	2,2 - 2,5 kg	

- Jatkuvasta tutkimus- ja kehitystyöstämme johtuen esitetyt tekniset tiedot saattavat muuttua ilman erillistä ilmoitusta.
- Tekniset tiedot ja akkupaketti voivat vaihdella maittain.
- Paino voi olla erilainen lisävarusteista sekä akusta johtuen. EPTA-menettelytavan 01/2014 mukaisesti, taulukossa on kuvattu kevyin ja painavin laiteyhdistelmä.

Käytettävä akkupaketti ja laturi

Akkupaketti	BL4020 / BL4025 / BL4040
Laturi	DC40RA / DC40RB / DC40RC

- Tiettyjä yläpuolella kuvattuja akkuja ja latureita ei ehkä ole saatavana asuinalueestasi johtuen.

VAROITUS: Käytä vain edellä eriteltyjä akkupaketteja ja latureita. Muiden akkupakettien ja laturien käyttäminen voi aiheuttaa loukkaantumisen ja/tai tulipalon.

Käyttötarkoitus

Laite on tarkoitettu puun, muovin ja vastaavien materiaalien tasojrshintään ja profilointiin.

Melutaso

Tyypillinen A-painotettu melutaso määräytyy standardin EN62841-2-17 mukaan:
 Työtila: pyöriminen ilman kuormaa
 Äänenpainetaso (L_{pA}): 81 dB (A)
 Äänen voiman taso (L_{WA}): 92 dB (A)
 Virhemarginaali (K): 3 dB (A)

HUOMAA: Ilmoitetut melutasoarvot on mitattu standarditestausmenetelmän mukaisesti ja niiden avulla voidaan vertailla työkaluja keskenään.

HUOMAA: Ilmoitettuja melutasoarvoja voidaan käyttää myös altistumisen alustavaan arviointiin.

VAROITUS: Käytä kuulosuojaimia.

VAROITUS: Sähkötyökalun käytön aikana mitattu melutasoarvo voi poiketa ilmoitetuista arvoista laitteen käyttötavan ja erityisesti käsiteltävän työkalun mukaan.

VAROITUS: Selvitä käyttäjän suojaamiseksi tarvittavat varoimet todellisissa käyttöolosuhteissa tapahtuvan arvioitun altistumisen mukaisesti (ottaen huomioon käyttöjakso kokonaisuudessaan, myös jaksot, joiden aikana laite on sammutettuna tai käy tyhjäkäynnillä).

Tärinä

Kokonaistärinä (kolmen akselin vektorien summa) määräytyy standardin EN62841-2-17 mukaan:
 Työtila: pyöriminen ilman kuormaa
 Tärinäpäästö (a_{h}): 2,5 m/s² tai alhaisempi
 Virhemarginaali (K): 1,5 m/s²

HUOMAA: Ilmoitetut kokonaistärinäarvot on mitattu standarditestausmenetelmän mukaisesti ja niiden avulla voidaan vertailla työkaluja keskenään.

HUOMAA: Ilmoitettuja kokonaistärinäarvoja voidaan käyttää myös altistumisen alustavaan arviointiin.

VAROITUS: Sähkötyökalun käytön aikana mitattu todellinen tärinäpäästöarvo voi poiketa ilmoitetuista arvoista laitteen käyttötavan ja erityisesti käsiteltävän työkalun mukaan.

VAROITUS: Selvitä käyttäjän suojaamiseksi tarvittavat varoimet todellisissa käyttöolosuhteissa tapahtuvan arvioitun altistumisen mukaisesti (ottaen huomioon käyttöjakso kokonaisuudessaan, myös jaksot, joiden aikana laite on sammutettuna tai käy tyhjäkäynnillä).

EY-vaatimustenmukaisuusvakuutus

Koskee vain Euroopan maita

EY-vaatimustenmukaisuusvakuutus on liitetty tähän käyttöoppaaseen.

TURVAVAROITUKSET

Sähkötyökalujen käyttöä koskevat yleiset varoitukset

VAROITUS: Tutustu kaikkiin tämän sähkötyökalun mukana toimitettuihin varoituksiin, ohjeisiin, kuviin ja tekniisiin tietoihin. Seuraavassa lueteltujen ohjeiden noudattamatta jättäminen saattaa johtaa sähköiskuun, tulipaloon tai vakavaan vammautumiseen.

Säilytä varoitukset ja ohjeet tulevaa käyttöä varten.

Varoituksissa käytettävällä termillä "sähkötyökalu" tarkoitetaan joko verkkovirtaa käyttävää (johdollista) työkalua tai akkukäyttöistä (johdotonta) työkalua.

Akkukäyttöistä jyrästä koskevat turvallisuusvaroitukset

1. Kiinnitä ja tue työkappale tukevalle alustalle puristimilla tai muulla käytännöllisellä tavalla. Työkappaleen piteleminen käsin tai vartaloa vasten ei tue työkappaletta riittävästi ja voi johtaa hallinnan menetykseen.
2. Pitele sähkötyökalua eristettyjen tartuntapintojen kohdalta, koska katkaisuväline saattaa koskettaa näkymättömissä olevaa johdinta. Jännitteisen johtimen leikkaaminen voi muuttaa sähkötyökalun paljaat metalliosat jännitteisiksi ja aiheuttaa käyttäjälle sähköiskun.
3. Käytä vain sellaista jyränsinkäkeä, jonka nopeus on vähintään sama kuin työkaluun merkitty suurin nopeus. Jos työkalussa on säädettävä nopeus, aseta työkalun nopeus jyränsinkärjen nopeutta pienemmäksi.
4. Jyränsinkärjen karan on oltava käytetyn kiristysteholkin mukainen.
5. Käytä kuulosuojaimia, jos käytät laitetta pitkään yhtäjaksoisesti.
6. Käsittele jyränsinkäkeä hyvin huolellisesti.
7. Tarkasta, ettei jyränsinkärjessä ole halkeamia tai vikoja, ennen kuin aloitat työskentelyn. Vaihda halkeileva tai muuten vaurioitunut kärki heti uuteen.
8. Vältä nauhojen sahaamista. Tarkasta työkalupala ja poista kaikki naulat ennen työstä.
9. Ota koneesta luja ote.
10. Pidä kädet loitolla pyöristävistä osista.
11. Varmista, ettei jyränsinkärki kosketa työkappaletta, ennen kuin kytkin käännetään päälle.
12. Anna työkalun käydä jonkin aikaa, ennen kuin alat työstää työkappaletta. Jos jyränsinkärki pyörii epätasaisesti tai täristen, se voi olla väärin asennettu.
13. Ole huolellinen jyränsinkärjen pyörimissuunnan ja syötteen suunnan suhteen.
14. Älä jätä työkalua käymään itsekseen. Käytä työkalua vain silloin, kun pidät sitä kädessä.
15. Sammuta aina laite ja odota, kunnes jyränsinkärki on täysin pysähtynyt ennen työkalun poistamista työkappaleesta.

16. Älä kosketa jyränsinkäkeä välittömästi käytön jälkeen, sillä se saattaa olla erittäin kuuma ja polttaa ihoasi.
17. Älä tahraa pohjaa huolimattomasti tinnerillä, bensinillä, öljyllä tai vastaavalla. Ne voivat aiheuttaa halkeamia pohjaan.
18. Käytä jyränsinkäkeä, joiden karan halkaisija on sopiva työkalun pyörimisnopeudelle.
19. Jotkin materiaalit sisältävät kemikaaleja, jotka voivat olla myrkyllisiä. Huolehdi, että pölyn sisäänhengittämistä ja ihokosketusta vältetään. Noudata materiaalin toimittajan turvaohjeita.
20. Käytä aina työstettävän materiaalin ja käyttötarvikkeen mukaan valittua polyenamaria/hengityssuojainta.

SÄILYTÄ NÄMÄ OHJEET.

VAROITUS: ÄLÄ anna työkalun helpokäyttöisyyden (toistuvan käytön aikaansaama) johtaa sinua väärään turvallisuuden tunteeseen niin, että laiminlyöt työkalun turvaohjeiden noudattamisen. **VÄÄRINKÄYTTÖ** tai tässä käyttöohjeessa ilmoitettujen turvamääräysten laiminlyönti voi aiheuttaa vakavia henkilövahinkoja.

Akkupakettia koskevia tärkeitä turvaohjeita

1. Ennen akun käyttöönottoa tutustu kaikkiin laturissa (1), akussa (2) ja akkukäyttöisessä tuotteessa (3) oleviin varoitusteksteihin.
2. Älä pura tai peukaloi imuria akkupakettia. Se voi johtaa tulipaloon, ylikuumenemiseen tai räjähdykseen.
3. Jos akun toiminta-aika lyhenee merkittävästi, lopeta akun käyttö. Seurauksena voi olla ylikuumeneminen, palovammoja tai jopa räjähdys.
4. Jos akkunestettä pääsee silmiin, huuhtele puhtaalla vedellä ja hakeudu välittömästi lääkärin hoitoon. Akkuneste voi aiheuttaa näön menetyksen.
5. Älä oikosulje akkua.
 - (1) Älä koske akun napoihin millään sähköä johtavalla materiaalilla.
 - (2) Vältä akun oikosulkemista äläkä säilytä akkua yhdessä muiden metalliesineiden, kuten nauhojen, kolikoiden ja niin edelleen kanssa.
 - (3) Älä aseta akkua alttiiksi vedelle tai sateelle.Oikosulku voi aiheuttaa virtapiikin, ylikuumentumista, palovammoja tai laitteen rikkoontumisen.
6. Älä säilytä ja käytä työkalua ja akkupakettia paikassa, jossa lämpötila voi nousta 50 °C:een (122 °F) tai korkeammaksi.
7. Älä hävitä akkua polttamalla, vaikka se olisi pahoin vaurioitunut tai täysin loppuun kulunut. Avotuli voi aiheuttaa akun räjähtämisen.
8. Älä naujaa, leikkaa, purista, heitä tai pudota akkupakettia tai iske sitä kovia esineitä vasten. Tällaiset toimet voivat johtaa tulipaloon, ylikuumenemiseen tai räjähdykseen.

9. Älä käytä viallista akkua.
10. Sisältyviä litium-ioni-akkuja koskevat vaarallisten aineiden lainsäädännön vaatimukset.

Esimerkiksi kolmansien osapuolten huolintaliikkeiden tulee kaupallisissa kuljetuksissa noudattaa pakkaamista ja merkintöjä koskevia erityisvaatimuksia. Lähetettävän tuotteen valmistelu edellyttää vaarallisten aineiden asiantuntijan neuvontaa. Huomioi myös mahdollisesti yksityiskohtaisemmat kansalliset määräykset

- Akun avoimet liittimet tulee suojata teipillä tai suojuksella ja pakkaaminen tulee tehdä niin, ettei akku voi liikkua pakkauksessa.
11. Kun akkupaketti on hävitettävä, poista se laitteesta ja hävitä se turvallisesti. Hävitä akku paikallisten määräysten mukaisesti.
12. Käytä akkuja vain Makitan ilmoittamien tuotteiden kanssa. Akkujen asentaminen yhteensopimattomiin tuotteisiin voi aiheuttaa tulipalon, liiallisen ylikuumentumisen, räjähdyksen tai akkuneuvuotoja.
13. Jos laitetta ei käytetä pitkään aikaan, akku on poistettava laitteesta.
14. Akkupaketin lämpötila voi käytön aikana ja sen jälkeen nousta niin kuumaksi, että se voi aiheuttaa palovammoja tai lieviä palovammoja. Käsittele kuumia akkupaketteja huolellisesti.
15. Älä kosketa työkalun liittintä välittömästi käytön jälkeen, sillä se voi olla riittävän kuuma aiheuttamaan palovammoja.
16. Älä päästä lastuja, pölyä tai maata akkupaketin liittimiin, aukkoihin ja uriin. Se voi johtaa työkalun tai akkupaketin lämpenemiseen, syttymiseen, purkaukseen tai toimintahäiriöön, mikä voi aiheuttaa palovammoja tai vammoja.
17. Ellei työkalu tue käyttöä korkeajännitelinjojen lähellä, älä käytä akkupakettia korkeajännitelinjojen lähellä. Se voi johtaa työkalun tai akkupaketin toimintahäiriöön tai rikkoutumiseen.
18. Pidä akku poissa lasten ulottuvilta.

SÄILYTÄ NÄMÄ OHJEET.

▲HUOMIO: Käytä vain alkuperäisiä Makita-akkuja. Muiden kuin aitojen Makita-akkujen, tai mahdollisesti muutettujen akkujen käyttö voi johtaa akun murtumiseen ja aiheuttaa tulipaloja, henkilö- ja omaisuusvahinkoja. Se mitätöi myös Makita-työkalun ja -laturin Makita-takuun.

Vihjeitä akun käyttöiän pidentämiseksi

- Lataa akku ennen kuin se purkautuu täysin. Lopeta aina työkalun käyttö ja lataa akku, jos huomaat työkalun tehon vähenevän.
- Älä koskaan lataa uudestaan täysin ladattua akkua. Yli lataaminen lyhentää akun käyttöikää.
- Lataa akku huoneen lämpötilassa välillä 10 °C - 40 °C. Anna kuuman akun jäähtyä ennen lataamista.
- Irrota akkupaketti työkalusta tai laturista, kun sitä ei käytetä.
- Lataa akkupaketti, jos et käytä sitä pitkään aikaan (yli kuusi kuukautta).

Langatonta yksikköä koskevat tärkeät turvallisuusohjeet

- Älä pura tai peukaloi langatonta yksikköä.
- Pidä langaton yksikkö lasten ulottumattomissa. Jos tuote niellään vahingossa, ota välittömästi yhteys lääkäriin.
- Käytä langatonta yksikköä vain Makitan työkalujen kanssa.
- Älä altista langatonta yksikköä sateelle tai kosteisiin olosuhteisiin.
- Älä käytä langatonta yksikköä paikassa, jossa lämpötila voi nousta yli 50 °C.
- Älä käytä langatonta yksikköä paikassa, jonka läheisyydessä on lääketieteellisiä instrumentteja, kuten sydämentahdistajia jne.
- Älä käytä langatonta yksikköä paikassa, jonka läheisyydessä on automatisoituja laitteita. Toiminnallisena automatisoidut laitteet voivat aiheuttaa käyttöhäiriöitä tai virheitä.
- Älä jätä langatonta yksikköä paikkaan, jonka lämpötila on suuri tai jossa voi muodostua staattista sähköä tai sähkökohinahäiriöitä.
- Langaton yksikkö voi muodostaa käyttäjälle vaarattomia sähkömagneettikenttiä (EMF).
- Langaton yksikkö on tarkkuuslaite. Varo kolhimasta tai pudottamasta langatonta yksikköä.
- Vältä koskettelemasta langattoman yksikön liittintä paljain käsin tai metallisilla materiaaleilla.
- Irrota akku laitteesta aina, kun laitteeseen asennetaan langaton yksikkö.
- Avattaessa uran kantta, vältä paikkoja missä pöly ja vesi voivat päästä uraan. Pidä aina uran aukko puhtaana.
- Aseta langaton yksikkö aina oikeassa suunnassa.
- Älä paina langattoman yksikön langatonta aktivointipainiketta liian kovaa ja/tai paina painiketta teräväreunaisilla kohteilla.
- Sulje kansi uran kansi käytön aikana.
- Älä irrota langatonta yksikköä urasta laitteen virransyötön aikana. Muussa tapauksessa voi seurauksena olla langattoman yksikön käyttöhäiriöitä.
- Älä irrota langattoman yksikön tarraa.
- Älä kiinnitä mitään tarroja langattomaan yksikköön.
- Älä jätä langatonta yksikköä paikkaan, missä on staattista sähköä tai sähkökohinahäiriöitä voi muodostua.
- Älä jätä langatonta yksikköä äärimmäisiin lämpötiloihin, kuten auton istuimelle auringonpaisteeseen.
- Älä jätä langatonta yksikköä paikkaan, missä on pölyä tai jauheita tai syövyttäviä kaasuja voi muodostua.
- Äkillinen lämpötilan vaihtelu voi kostuttaa langattoman yksikön. Älä käytä langatonta yksikköä ennenkuin kaste on täysin kuivunut.
- Puhdista langaton yksikkö pyyhkimällä se kevyesti kuivalla liinalla. Älä käytä puhdistamiseen bensiiniä, tinneriä, johtavaa rasvaa tai vastaavaa.

25. Säilytä langatonta yksikköä mukana toimituksessa kotelossa tai ei staattisessa säiliössä.
26. Älä liitä muita, kuin Makitan langattomia yksiköitä laitteen uraan.
27. Älä käytä laitetta uran kannen ollessa vaurioitunut. Uraan pääsevä vesi, pöly ja lika voivat aiheuttaa käyttöhäiriöitä.
28. Älä vedä ja/tai väännä uran kantta enempää kuin on tarpeen. Aseta kansi takaisin jos se irtaoo laitteesta.
29. Vaihda uran kansi sen ollessa kadonnut tai vaurioitunut.

SÄILYTÄ NÄMÄ OHJEET.

TOIMINTOJEN KUVAUS

▲HUOMIO: Varmista aina ennen säätöjä ja tarkastuksia, että työkalu on sammutettu ja akkupaketti irrotettu.

Akun asentaminen tai irrottaminen

▲HUOMIO: Sammuta työkalu aina ennen akun kiinnittämistä tai irrottamista.

▲HUOMIO: Pidä työkalusta ja akusta tiukasti kiinni, kun irrotat tai kiinnität akkua. Jos akkupaketti tai työkalu putoaa, ne voivat vaurioitua tai aiheuttaa tapaturman.

Irrota akku painamalla akun etupuolella olevaa painiketta ja vetämällä akku ulos työkalusta.

► **Kuva1:** 1. Punainen ilmaisin 2. Painike
3. Akkupaketti

Akkupaketti asennetaan paikalleen sovittamalla akkupaketin kieleke rungon uraan ja työntämällä se sitten paikoilleen. Työnnä akkupaketti pohjaan asti niin, että kuulet sen napsahdavan paikoilleen. Jos painikkeen yläpuolella näkyy punainen ilmaisin, akkupaketti ei ole lukkiutunut täysin paikoilleen.


















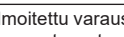
▲HUOMIO: Työnnä akkupaketti aina pohjaan asti, niin että punainen ilmaisin ei enää näy. Jos akkupaketti ei ole kunnolla paikallaan, se voi pudota työkalusta ja aiheuttaa vammoja joko sinulle tai sivullisille.

▲HUOMIO: Älä käytä voimaa akun asennuksessa. Jos akku ei liu'u paikalleen helposti, se on väärässä asennossa.

Akun jäljellä olevan varaustason ilmaisin

Painamalla tarkistuspainiketta saat näkyviin akun jäljellä olevan varausten. Merkkivalot palavat muutaman sekunnin ajan.

► **Kuva2:** 1. Merkkivalot 2. Tarkistuspainike

Merkkivalot			Akussa jäljellä olevan varaus
 Palaa	 Pois päältä	 Viikkuu	
			75% - 100%
			50% - 75%
			25% - 50%
			0% - 25%
			Lataa akku.
			Akussa on saattanut olla toimintahäiriö.
			

HUOMAA: Ilmoitettu varaustaso voi erota hieman todellisesta varaustasosta sen mukaan, millaisissa oloissa ja missä lämpötilassa laitetta käytetään.

HUOMAA: Ensimmäinen (vasemmanpuoleisin) merkkivalo vilkkuu, kun akun suojausjärjestelmä on toiminnassa.

Työkalun/akun suojausjärjestelmä

Työkalu on varustettu työkalu/akun suojausjärjestelmällä. Tämä järjestelmä pidentää työkalun ja akun käyttöikää katkaisemalla automaattisesti moottorin virran. Työkalu pysähtyy automaattisesti kesken käytön, jos työkalussa tai akussa ilmenee jokin seuraavista tilanteista:

Ylikuormitussuoja

Kun työkalua käytetään tavalla, mikä saa sen kuluttamaan epätavallisen suuren määrän virtaa, työkalu pysähtyy automaattisesti ilman mitään merkkivaloa tai ilmaista. Katkaise tässä tilanteessa työkalusta virta ja lopeta ylikuormitustilan aiheuttanut käyttö. Käynnistä sitten työkalu uudelleen kytkemällä siihen virta.

Ylikuumenemissuoja

Kun työkalu tai akku ylikuumentee, työkalu pysähtyy automaattisesti. Anna tällöin työkalun ja akun jäähtyä, ennen kuin kytket työkaluun uudelleen virta.

Ylipurkautumissuoja

Kun akun varaus on riittämätön, työkalu pysähtyy automaattisesti. Irrota silloin akku työkalusta ja lataa se.

Suojaus muilta haitallisilta tapahtumilta

Suojausjärjestelmä on suunniteltu suojaamaan työkalu myös muilta tapahtumilta, jotka voisivat vahingoittaa työkalua, ja pysäyttämään työkalu automaattisesti tällaisissa tapauksissa. Kun työkalu tai sen toiminta on pysähtynyt tilapäisesti, poista pysäytyksen syyt seuraavien vaiheiden mukaisesti.

1. Käynnistä työkalu uudelleen sammuttamalla se ja kytkemällä se sitten uudelleen päälle.
2. Lataa akut tai vaihda ne ladattuihin akkuihin.
3. Anna työkalun ja akkujen jäähtyä.

Jos suojajärjestelmän nollaaminen ei korjaa tilannetta, ota yhteys paikalliseen Makita-huoltoon.

Kytkimen käyttäminen

Käynnistä laite painamalla lukitus-/vapautuspainiketta. Laite siirtyy valmiustilaan. Käynnistä laite painamalla käynnistys-/sammutuspainiketta valmiustilassa. Pysäytä laite painamalla uudelleen käynnistys-/sammutuspainiketta. Laite siirtyy valmiustilaan. Sammuta laite painamalla käynnistys-/sammutuspainiketta valmiustilassa.

► **Kuva3:** 1. Lukitus-/vapautuspainike 2. Käynnistys-/sammutuspainike

HUOMAA: Jos laitetta ei käytetä valmiustilassa 10 sekunnin aikana, laite sammuu automaattisesti ja lamppu sammuu.

HUOMAA: Voit myös pysäyttää ja sammuttaa laitteen painamalla lukitus-/vapautuspainiketta laitteen ollessa käynnissä.

Etulampun sytyttäminen

▲HUOMIO: Älä katso suoraan lamppuun tai valonlähteeseen.

Voit sytyttää lampun painamalla lukitus-/vapautuspainiketta. Voit sammuttaa lampun painamalla uudelleen lukitus-/vapautuspainiketta.

HUOMAUTUS: Jos työkalu ylikuumenee, lamppu alkaa vilkkua. Anna työkalun jäähtyä ennen sen käyttämistä uudelleen.

HUOMAA: Pyyhi lika pois linssistä kuivalla liinalla. Varo naarmuttamasta linssiä, ettei valoteho laske.

► **Kuva4:** 1. Lamppu

Nopeudensäätöpyörä

Laitteen pyörimisnopeutta voidaan muuttaa kiertämällä nopeudensäätöpyörää. Alapuolella olevassa taulukossa kuvataan säätöpyörän numerot ja vastaavat pyörimisnopeudet.

► **Kuva5:** 1. Nopeudensäätöpyörä

Numero	Nopeus
1	10 000 min ⁻¹
2	15 000 min ⁻¹
3	21 000 min ⁻¹
4	26 000 min ⁻¹
5	31 000 min ⁻¹

▲HUOMIO: Älä muuta pyörimisnopeutta toiminnan aikana. Muussa tapauksessa työkalun yllättävä vastavoima voi aiheuttaa vamman.

HUOMAUTUS: Jos laitetta käytetään jatkuvasti pitkään alhaisella nopeudella, moottori voi ylikuormittua ja aiheuttaa laitteen toimintahäiriön.

HUOMAUTUS: Säätöpyörää voi kääntää vain numeroon 5 saakka ja takaisin numeroon 1. Älä pakota sitä lukujen 5 tai 1 yli, sillä se voi rikkoa nopeuden säätötoiminnon.

Sähköinen toiminta

Laite on varustettu sähköisillä toimintoilla helpokäyttöisyyttä ajatellen.

- Vakionopeuden säätö
Vakionopeuden säätö mahdollistaa vakiopyörimisnopeuden kuormitusolosuhteista riippumatta.
- Pehmeä käynnistys
Pehmeä käynnistys -toiminto minimoi käynnistysiskun ja näin laite käynnistyy tasaisesti.
- Pehmeä jarru
Pehmeän jarrun ansiosta työkalu pysähtyy hitaasti. Pehmeä jarru estää työkappaleen vahingoittumisen takaiskun takia ja sallii seuraavan toimenpiteen nopeamman aloittamisen. Ellei työkalu johdonmukaisesti pysäytä jyrskärkeä sen jälkeen, kun virta on katkaistu kytkimellä, vie työkalu Makita-huoltoon korjattavaksi.

KOKOONPANO

▲HUOMIO: Varmista aina ennen mitään työkälylle tehtäviä toimenpiteitä, että se on sammutettu ja akku irrotettu.

Jyrsinterän kiinnitys ja irrotus

HUOMAUTUS: Älä kiestä kiristysholkin mutteria, jos jyrsinkärki ei ole paikallaan, sillä tällöin kiristysholkin kartio saattaa rikkoutua.

Aseta jyrsinkärki koko matkalta kiristysholkin kartioon. Paina karalukkoa ja kiestä kiristysholkin mutteri kiintoavaimella.

► **Kuva6:** 1. Karalukko 2. Löysää 3. Kiestä 4. Kiintoavain 5. Kiristysholkin mutteri

Voit kiestä kiristysholkin mutterin myös turvallisesti kahdella kiintoavaimella.

► **Kuva7:** 1. Kiintoavain 2. Löysää 3. Kiestä 4. Kiristysholkin mutteri

Kun irrotat jyrsinkärjen, noudata asennusohjeita päinvastaisessa järjestyksessä.

HUOMAA: Karalukko ei ehkä palaa alkuasentoonsa, kun kiestät kiristysholkin mutteria jyrsinkärkeä asentaessasi. Karalukko palaa alkuasentoonsa työkalua käynnistettäessä.

► **Kuva8:** 1. Karalukko

Kiristysholkin kartion vaihtaminen

⚠HUOMIO: Käytä oikean kokoista kiristysholkin kartiota käytettävän jyrsinkärjen mukaan.

⚠HUOMIO: Älä kiristä kiristysholkin mutteria, jos jyrsinkärki ei ole paikallaan, sillä tällöin kiristysholkin kartio saattaa rikkoutua.

1. Löysää kiristysholkin mutteria ja irrota osat.
2. Vaihda irrotetun kiristysholkin kartion tilalle haluumasi kiristysholkin kartio.
3. Asenna kiristysholkin mutteri takaisin paikalleen.
▶ **Kuva9:** 1. Kiristysholkin kartio 2. Kiristysholkin mutteri

Jyrsinjalustan asentaminen ja irrottaminen

1. Avaa jyrsinjalustan lukitusvipu. Tämän jälkeen kiinnitä laite jyrsinjalustaan kohdistamalla laitteen ura jyrsinjalustan ulkonemaan.
2. Lukitse lukitusvipu.
▶ **Kuva10:** 1. Lukitusvipu

HUOMAA: Voit käyttää (hartsista) jyrsinjalustaa valinnaisena lisävarusteena kuvan mukaisesti. Kun käytät (hartsista) jyrsinjalustaa, löysää tai kiristä siipimutteria lukkovivun sijasta.

Kohdista työkalun hammastanko jyrsinjalustassa olevaan hammaspyörään.

▶ **Kuva11:** 1. Siipimutteri 2. Hammastanko 3. Hammaspyörä

3. Kiinnitä pölysuutin jyrsinjalustaan ja tämän jälkeen kiristä siipiruuvi.
▶ **Kuva12:** 1. Pölysuutin 2. Siipiruuvi
▶ **Kuva13**

Irrota jalusta päinvastaisessa järjestyksessä.

⚠HUOMIO: Ennen kuin käytät laitetta jyrsinjalustan kanssa, varmista, että kiinnität pölysuuttimen jyrsinjalustaan.

Kallistusjalustan asentaminen ja irrottaminen

Lisävaruste

1. Avaa kallistusjalustan lukitusvipu. Tämän jälkeen kiinnitä laite kallistusjalustaan kohdistamalla laitteen ura kallistusjalustan ulkonemaan.
2. Lukitse lukitusvipu.
▶ **Kuva14:** 1. Lukitusvipu

Irrota jalusta päinvastaisessa järjestyksessä.

Kulmajalustan asentaminen ja irrottaminen

Lisävaruste

1. Paina karalukkoa ja tämän jälkeen löysää kiristysholkki.
▶ **Kuva15:** 1. Kiristysholkin mutteri 2. Karalukko 3. Kiintoavain
2. Irrota kiristysholkin mutteri ja kiristysholkki.
▶ **Kuva16:** 1. Kiristysholkin mutteri 2. Kiristysholkki

3. Asenna hihnapyörä työkaluun painamalla karalukkoa ja kiristämällä hihnapyörää kiintoavaimella.

▶ **Kuva17:** 1. Kiintoavain 2. Hihnapyörä 3. Karalukko

4. Löysää pohjalevyn ruuveja ja irrota tämän jälkeen pohjalevy.

▶ **Kuva18:** 1. Pohjalevy

5. Avaa kulmajalustan lukitusvipu ja kiinnitä sitten kulmajalusta työkaluun.

▶ **Kuva19:** 1. Lukitusvipu

6. Kiinnitä hihna hihnapyörään puikolla, esimerkiksi lattaruuvitaltalla, ja pyörittämällä hihnaa käsin.

▶ **Kuva20:** 1. Hihnapyörä 2. Hihna

7. Lukitse lukitusvipu.

▶ **Kuva21:** 1. Lukitusvipu

8. Kiinnitä pohjalevy paikalleen kiristämällä ruuvit.

▶ **Kuva22:** 1. Pohjalevy

9. Kiinnitä kiristysholkki ja jyrsinterä kulmajalustaan ja tämän jälkeen kiristä kiristysholkki.

▶ **Kuva23:** 1. Jyrsinterä 2. Kiristysholkin mutteri 3. Kiristysholkki

10. Kiinnitä kuusioavain kulmajalustan reikään ja kiristä kiristysholkin mutteri kiintoavaimella.

▶ **Kuva24:** 1. Kiristysholkin mutteri 2. Kiintoavain 3. Kuusioavain

Irrota jalusta päinvastaisessa järjestyksessä.

HUOMAA: Voit myös asentaa hinnan pyörälle ilman pohjalevyn irrottamista kuvan osoittamalla tavalla.

▶ **Kuva25:** 1. Hihnapyörä 2. Hihna

Yläjyrsinjalustan asentaminen ja irrottaminen

Lisävaruste

1. Avaa yläjyrsinjalustan lukitusvipu. Tämän jälkeen kiinnitä laite yläjyrsinjalustaan kohdistamalla laitteen ura yläjyrsinjalustan ulkonemaan.

2. Lukitse lukitusvipu.

▶ **Kuva26:** 1. Lukitusvipu

Irrota jalusta päinvastaisessa järjestyksessä.

Yläjyrsinjalustan rinnakkaisohjaimen asentaminen ja irrottaminen

Lisävaruste

Kiinnitä ohjauskiskot yläjyrsinjalustassa oleviin aukkoihin ja tämän jälkeen kiristä siipipultit. Irrota rinnakkaisohjain päinvastaisessa järjestyksessä.

▶ **Kuva27:** 1. Siipipultti 2. Ohjauskisko

Yläjyrsinjalustan pölysuuttimen asentaminen ja irrottaminen

Kiinnitä pölysuutin yläjyrsinjalustaan niin, että pölysuuttimen ulkonema vastaa yläjyrsinjalustan uraa. Tämän jälkeen kiristä pölysuuttimen siipiruuvi. Irrota suutin päinvastaisessa järjestyksessä.

▶ **Kuva28:** 1. Ulkonema 2. Pölysuutin 3. Siipiruuvi

▶ **Kuva29**

TYÖSKENTELY

Lastuamissyvyyden säätö

Säädä lastuamissyvyyttä avaamalla lukitusvipua ja siirtämällä tämän jälkeen laitteen pohjalevyä ylös tai alas säätöruuvia kiertämällä. Kiristä lukitusvipu luotettavasti säädön jälkeen.

► **Kuva30:** 1. Lukitusvipu 2. Säätöruuvi

HUOMAUTUS: Jos laite ei lukitu paikalleen lukitusvivun kiristämisen jälkeen, kiristä ensin kuusiomutteri ja kiristä tämän jälkeen lukitusvipu uudelleen.

► **Kuva31:** 1. Kuusiomutteri

Lastuamissyvyyden säätö yläjyrseinjalustan kanssa

Lisävaruste

1. Aseta laite tasaisen pinnan päälle.
2. Valitse rajoitinruuvi kiertämällä rajoitinjalustaa.
► **Kuva32:** 1. Rajoitinruuvi 2. Rajoitinjalusta
3. Löysennä kiinnitysmutteria ja vedä sitten rajoitintappia ylös ja paina samalla syöttöpainiketta.
► **Kuva33:** 1. Rajoitintappi 2. Kiinnitysmutteri
3. Syöttöpainike
4. Paina laitetta alas, kunnes jyrseinterän kärki koskettaa tasaista pintaa. Tämän jälkeen kierrä kiinnitysvipua laitteen lukitsemiseksi.
► **Kuva34:** 1. Kiinnitysvipu 2. Jyrseinteriä
5. Paina rajoitintappia alas painamalla samanaikaisesti syöttöpainiketta niin kauan, kunnes se koskettaa rajoitinruuvia.
► **Kuva35:** 1. Rajoitintappi 2. Rajoitinruuvi
3. Syöttöpainike
6. Siirrä syvyydenosoitinta niin, että osoitin osoittaa säätöpyörän asteikon lukemaa "0".
► **Kuva36:** 1. Syvyydenosoitin
7. Säädä lastuamissyvyyttä vetämällä rajoitintappia ylös ja painamalla samanaikaisesti syöttöpainiketta.
► **Kuva37:** 1. Rajoitintappi 2. Syöttöpainike
8. Suorita lastuamissyvyyden hienosäätö kiertämällä rajoitintapin säätöpyörän asteikkoa niin, että lukema on "0".
► **Kuva38:** 1. Asteikko
9. Käännä rajoitintapin päätä, jotta haluttu syvyys saavutetaan. Suurena syvyyttä kääntämällä päätä vastapäivään. Pienennä syvyyttä kääntämällä päätä myötäpäivään. (Syvyys muuttuu 1 mm yhdellä kierroksella.)
► **Kuva39:** 1. Rajoitintapin pää
10. Kiristä rajoitintapin kiinnitysmutteria.
► **Kuva40:** 1. Kiinnitysmutteri
11. Vapauta kiinnitysvipu.
► **Kuva41:** 1. Kiinnitysvipu

Kun painat työkalua alas, kunnes rajoitintappi osuu rajoitinruuviin, leikkaussyvyys muuttuu edellä esitetyn toimenpiteen mukaiseksi.

Laitteen käyttö jyrseinjalustalla

Aseta laitteen pohjalevy työkalun päälle ilman jyrseinjärjen kosketusta. Kytke laite päälle ja odota, kunnes jyrseinjärki on saavuttanut täyden nopeuden. Siirrä laitetta eteenpäin työkalun pinnalla. Laitteen pohjalevyn tulee olla samassa tasossa. Kun jyrsei reunoja, varmista, että työkalun pinta on jyrseinterän syöttösuuntaan nähden vasemmalla puolella.

► **Kuva42**

HUOMAA: On suositeltavaa tehdä koetyöstö ennen työkalun työstämistä. Oikea nopeus riippuu jyrseinjärjen koosta, työkalun tyypistä ja lastuamissyvyydestä. Laitteen työntäminen eteenpäin liian nopeasti voi heikentää jyrseinjärjen laatua tai vahingoittaa jyrseinjärkeä tai moottoria. Laitteen työntäminen eteenpäin liian hitaasti voi polttaa ja pilata jyrseinjärjen.

Käytettäessä jyrseinjärkää, suoraa ohjainta tai jyrseinohjainta, varmista, että pidät sitä syöttösuunnan oikealla puolella. Tämä auttaa pitämään sitä samassa tasossa työkalun sivun kanssa.

► **Kuva43:** 1. Jyrseinteriä 2. Työkalua 3. Suora ohjain

HUOMAUTUS: Koska liiallinen jyrseinteri voi aiheuttaa moottorin ylikuormittumisen tai vaikeuttaa laitteen hallintaa, jyrseinterä ei saisi olla yli 3 mm kerrallaan uria työstettäessä. Jos haluat työstää yli 3 mm syviä uria, toimi useassa vaiheessa ja muuta jyrseinjärjen asetukset hiljalleen syvemmiksi.

Suoran ohjaimen käyttö

1. Kiinnitä suora ohjain pultilla ja siipimutterilla.
► **Kuva44:** 1. Pultti 2. Siipimutteri
2. Kiinnitä suora ohjain jyrseinjalustaan kiristysruuvilla.
► **Kuva45:** 1. Kiristysruuvi
3. Löysennä suoraohjaimessa oleva siipimutteri ja säädä jyrseinjärjen ja suoraohjaimen välinen etäisyys. Kun haluttu etäisyys on saavutettu, kiristä siipimutteri.
► **Kuva46:** 1. Siipimutteri
4. Liikuta työkalua niin, että suora ohjain on samassa tasossa laitteen sivun kanssa.
► **Kuva47**

Jos laitteen sivun ja jyrseinjärjen välillä oleva etäisyys (A) on suoralle ohjaimelle liian leveä, tai jos työkalun sivu ei ole suora, suoraa ohjainta ei voi käyttää.

Kiristä tässä tapauksessa suora lauta tiukasti kiinni työkalun sivuun ja käytä sitä ohjaimena jyrseinjalustaa vasten. Siirrä laitetta nuolen osoittamaan suuntaan.

► **Kuva48**

Suoran ohjaimen käyttö pyöreille kuvioille

Kiinnitä suora ohjain kuvien osoittamalla tavalla pyöreitä kuvioita varten. Leikattavien ympyröiden pienin ja suurin säde (etäisyys ympyrän keskeltä ja jrsinkärjen keskelle) ovat seuraavat:

- Pienin: 70 mm
- Suurin: 221 mm

Säteeltään 70 mm ja 121 mm välisten ympyröiden jrsimiseksi.

► **Kuva49:** 1. Keskireikä

Säteeltään 121 mm ja 221 mm välisten ympyröiden jrsimiseksi.

► **Kuva50:** 1. Keskireikä

HUOMAA: Säteeltään 172 mm ja 186 mm välisiä ympyröitä ei voida jrsiä tätä ohjainta käyttämällä.

Kohdista suoran ohjaimen keskireikä jrsittävän ympyrän keskiosan kanssa. Naulaa halkaisijaltaan alle 6 mm naula keskireikään suoran ohjaimen lukitsemiseksi. Käännä laitetta naulan ympäri myötäpäivään.

► **Kuva51:** 1. Naula 2. Keskireikä

Malliohjaimen käyttö

Malliohjain mahdollistaa mallikuvioiden toistuvat jrsinnät mallia käyttämällä.

1. Löysää pohjalevyn ruuvit ja irrota tämän jälkeen pohjalevy jrsinjalustasta.
2. Aseta malliohjain pohjaan ja tämän jälkeen kiinnitä pohjalevy kiristämällä ruuvit.

► **Kuva52:** 1. Pohjalevy 2. Malliohjain

3. Aseta laite mallin päälle ja liikuta laitetta niin, että malliohjain liukuu mallin sivua pitkin.

► **Kuva53**

HUOMAA: Todellinen työkappaleen jrsintäkoko voi hieman erota mallista. Eroavaisuus on etäisyys (X) jrsinterän ja malliohjaimen ulkosivun välillä. Etäisyys (X) voidaan laskea seuraavaa yhtälöä käyttämällä:

Etäisyys (X) = (malliohjaimen ulkohalkaisija - jrsinterän halkaisija) / 2

► **Kuva54:** 1. Jrsinterä 2. Malliohjain 3. Etäisyys (X) 4. Malliohjaimen ulkohalkaisija 5. Mallilankku 6. Työkappale

Jrsinohjaimen käyttö

Lisävaruste

Jrsinohjain mahdollistaa kaarevien reunojen, kuten huonekaluvanereiden muotoilemisen liukuttamalla ohjainrullaa työkappaleen sivua pitkin.

► **Kuva55**

1. Löysää kiristysruuvia ja kiinnitä tämän jälkeen jrsinohjain jrsinjalustaan ja kiristä kiristysruuvi.

► **Kuva56:** 1. Kiristysruuvi

2. Löysää kiristysruuvia ja säädä jrsinterän ja jrsinohjaimen välistä etäisyyttä säätöruuvia kiertämällä (1 mm per kierros). Kun haluttu etäisyys on saavutettu, lukitse jrsinohjain paikalleen kiristämällä kiristysruuvia.

► **Kuva57:** 1. Säätöruuvi 2. Kiristysruuvi

3. Liikuta laitetta niin, että ohjainrulla etenee työkalun sivulla.

► **Kuva58:** 1. Työkappale 2. Jrsinterä 3. Ohjainrulla

Laitteen käyttö kallistusjalustalla

Kallistusjalustaa käytetään laminoitujen levyjen tai vastaavien materiaalien reunojen viimeistelyyn.

Kallistusjalusta on kätevä viisteityksessä. Löysää siipiruuvit, kallista laitetta haluttuun kulmaan ja tämän jälkeen kiristä siipiruuvit.

Kiinnitä suora lauta luotettavasti työkappaleeseen ja käytä sitä ohjaimena kallistusjalustaa vasten. Siirrä laitetta nuolen osoittamaan suuntaan.

► **Kuva59:** 1. Siipiruuvi

Kallistusjalustan käyttö jrsinjalustalla

Jrsinjalustan käyttämiseksi nelionmuotoisella pohjalevyllä, irrota pohjalevy kallistusjalustasta ja tämän jälkeen kiinnitä se jrsinjalustaan.

► **Kuva60:** 1. Kallistusjalustan pohjalevy 2. Jrsinjalustan pohjalevy

HUOMAUTUS: Käytä jrsinjalustan ruuveja asentaessasi kallistusjalustan pohjalevyä.

Kallistusjalustan ruuvit ovat lyhyempiä kuin jrsinjalustan ruuvit.

Laitteen käyttö kulmajalustalla

Kulmajalusta on tarkoitettu laminoitujen levyjen tai vastaavien materiaalien reunojen viimeistelyyn. Kulmajalusta on kätevä ahtaissa paikoissa työskennellessä.

► **Kuva61**

Jrsinjalustan käyttö kulmajalustan levyllä ja kahvalla

Kulmajalustaa voidaan käyttää myös jrsinjalustan ja kahvaruusteen (lisävaruste) kanssa lisävakauden saavuttamiseksi.

1. Löysennä epäkeskoalustan levyn ruuvit ja irrota sitten epäkeskoalustan levy epäkeskoalustasta.

► **Kuva62:** 1. Kulmajalustan pohjalevy

2. Jrsinjalustan pohjalevy

2. Kiinnitä kulmajalusta jrsinjalustaan kiristämällä ruuvit.

3. Kiinnitä kahvaruuste ja kahvatanko kulmajalustaan kiristämällä ruuvit.

► **Kuva63:** 1. Kahvatanko 2. Kahvaruuste

Yläjrsinjalustasta irrotettu nuppikahva voidaan asentaa kulmajalustaan tankokahvan sijasta.

► **Kuva64:** 1. Ruuvi 2. Nuppikahva

Laitteen käyttö yläjyrseinjalustalla

Pidä laitteesta kiinni tukevasti molemmilla käsillä käytön aikana. Käytä laitetta samalla tavalla kuin jyrseinjalustan kanssa.

Suoran ohjaimen käyttö

Lisävaruste

1. Kiinnitä suora ohjain ohjainpidikkeeseen siipimutterilla. Kiinnitä ohjainpidike yläjyrseinjalustassa oleviin reikiin ja tämän jälkeen kiristä siipipultit.

► **Kuva65:** 1. Siipipultti 2. Ohjainpidike 3. Siipimutteri 4. Suora ohjain

2. Löysennä suoraohjaimessa oleva siipimutteri ja säädä jyrseinjärjen ja suoraohjaimen välinen etäisyys. Kun haluttu etäisyys on saavutettu, kiristä siipimutteri.

► **Kuva66:** 1. Siipimutteri

3. Käytä laitetta samalla tavalla kuin suoraa ohjainta jyrseinjalustaan.

► **Kuva67**

Malliohjaimen käyttö

Lisävaruste

1. Löysää pohjan ruuvit ja irrota ne. Aseta malliohjain pohjaan ja tämän jälkeen kiristä ruuvit.

► **Kuva68:** 1. Ruuvi 2. Malliohjain

2. Käytä laitetta samalla tavalla kuin malliohjainta jyrseinjalustaan.

► **Kuva69**

Rinnakkaisohjaimen käyttö

Rinnakkaisohjainta käytetään tehokkaasti suoraan jyrseinään viisteityksen tai urittamisen aikana. Säädä jyrseinjärjen ja rinnakkaisohjaimen välinen etäisyys. Kun etäisyys on haluttu, kiristä siipipultit, jotta rinnakkaisohjain pysyy paikallaan. Työstäessäsi siirrä laitetta niin, että rinnakkaisohjain on samassa tasossa työkappaleen sivun kanssa.

► **Kuva70**

Jos työkappaleen sivun ja jyrseinääsennon välillä oleva etäisyys (A) on rinnakkaisohjaimelle liian leveä, tai jos työkappaleen sivu ei ole suora, rinnakkaisohjainta ei voi käyttää.

Kiristä tässä tapauksessa suora lauta tiukasti kiinni työkappaleeseen ja käytä sitä ohjaimena yläjyrseinjalustaa vasten. Siirrä laitetta nuolen osoittamaan suuntaan.

► **Kuva71**

Nuppikahvan vaihtaminen kahvatangoksi

Kiinnitä kahvatanko pistojalustaan löysäämällä nuppikahvan ruuvia ja irrota nuppikahva. Tämän jälkeen kiinnitä kahvatanko paikalleen kiristämällä sitä.

► **Kuva72:** 1. Nuppikahva 2. Ruuvi 3. Kahvatanko

LANGATON AKTIVOINTITOIMINTO

Mitä langattomalla aktivointitoiminnolla voi tehdä

Langaton aktivointitoiminto mahdollistaa puhtaan ja miellyttävän käyttötoiminnan. Liittämällä tuettu polynimuri laitteeseen, voit käyttää polynimuria automaattisesti yhdessä laitteen kytkintoiminnon kanssa.

► **Kuva73**

Langattoman aktivointitoiminnon käyttämiseksi valmis-tele seuraavat kohdat:

- Langaton yksikkö (lisävaruste)
- Polynimuri, joka tulee langatonta aktivointitoimintoa

Langattoman aktivointitoiminnon asetuksen kuvaus on seuraavana. Katso jokaisen osion yksityiskohtaiset ohjeet.

1. Langattoman yksikön asennus
2. Laitteen rekisteröinti polynimurille
3. Langattoman aktivointitoiminnon aloitus

Langattoman yksikön asennus

Lisävaruste

⚠HUOMIO: Aseta laite tasaisen ja vakaan pinnan päälle langattoman yksikön asentamiseksi.

HUOMAUTUS: Puhdista laitteesta pöly ja lika ennen langattoman yksikön asentamista. Pöly ja lika voivat aiheuttaa käyttöhäiriöitä päästessään langattoman yksikön uraan.

HUOMAUTUS: Staattisuudesta aiheutuvien käyttöhäiriöiden estämiseksi kosketa staattisesti purkautuvaa materiaalia, kuten laitteen metallisia ennen langattoman yksikön nostamista.

HUOMAUTUS: Varmista aina langattoman yksikön asennuksen aikana, että langaton yksikkö on liitetty oikeassa suunnassa ja kansi on suljettu täysin kiinni.

1. Avaa laitteen kansi kuvan osoittamalla tavalla.

► **Kuva74:** 1. Kansi

2. Liitä langaton yksikkö uraan ja tämän jälkeen sulje kansi.

Langattoman yksikön liittämisen aikana kohdista kielekkeet uran loviosioihin.

► **Kuva75:** 1. Langaton yksikkö 2. Kieleke 3. Kansi 4. Loviosio

Avaa kansi hitaasti langattoman yksikön irrottamisen aikana. Kannen takana olevat koukut nostavat langattoman yksikön ylös samalla kun nostat kannen ylös.

► **Kuva76:** 1. Langaton yksikkö 2. Koukku 3. Kansi

Säilytä langatonta yksikköä mukana toimitetussa kotelossa tai ei staattisessa säiliössä sen irrottamisen jälkeen.

HUOMAUTUS: Käytä aina kannen takana olevia koukkuja langattoman yksikön irrottamisen aikana. Jos koukut eivät tartu langattomaan yksikköön, sulje kansi täysin kiinni ja avaa se hitaasti uudelleen.

Laitteen rekisteröinti pölynimurille

HUOMAA: Makita pölynimuri tukee langatonta aktivointitoimintoa, joka vaaditaan laiterekisteröintiä varten.

HUOMAA: Viimeistele langattoman yksikön asennus laitteeseen ennen laiterekisteröinnin aloittamista.

HUOMAA: Älä paina liipaisinkytkintä tai aseta pölynimurin virtakytkintä päälle laiterekisteröinnin aikana.

HUOMAA: Katso lisätietoja myös pölynimurin käyttöohjeesta.

Jos haluat aktivoida pölynimurin yhdessä laitteen kytkintöiminnon kanssa, viimeistele laiterekisteröinti ensin.

1. Asenna akut pölynimuriin ja laitteeseen.
2. Aseta pölynimurin valmiustilan kytkin asentoon "AUTO".

► **Kuva77:** 1. Valmiustilan kytkin

3. Paina pölynimurin langatonta aktivointipainiketta noin 3 sekunnin ajan, kunnes langattoman aktivoinnin merkkivalo vilkkuu vihreänä. Ja tämän jälkeen paina laitteen langatonta aktivointipainiketta samalla tavalla.

► **Kuva78:** 1. Langaton aktivointipainike
2. Langattoman aktivoinnin merkkivalo

Jos pölynimuri ja laite kytketään oikein, langattoman aktivoinnin merkkivalo palaa vihreänä 2 sekunnin ajan ja vilkkuu tämän jälkeen sinisenä.

HUOMAA: Langattoman aktivoinnin merkkivalo lopettaa vilkkumisen vihreänä 20 sekunnin kuluttua. Paina laitteen langatonta aktivointipainiketta samalla kun imurin langattoman aktivoinnin merkkivalo vilkkuu.

Jos langattoman aktivoinnin merkkivalo ei vilku vihreänä, paina langatonta aktivointipainiketta lyhyesti ja pidä sitä painettuna alas.

HUOMAA: Suorittaessa kaksi tai useampaa laiterekisteröintiä yhdelle pölynimurille, lopeta laiterekisteröinti yksi kerrallaan.

Langattoman aktivointitoiminnon aloitus

HUOMAA: Viimeistele laiterekisteröinti pölynimurille ennen langatonta aktivointia.

HUOMAA: Katso lisätietoja myös pölynimurin käyttöohjeesta.

Kun laite on rekisteröity pölynimurille, pölynimuri toimii automaattisesti yhdessä laitteen kytkintöiminnon kanssa.

1. Langattoman yksikön asennus laitteeseen.
 2. Kiinnitä pölynimurin letku laitteeseen.
- **Kuva79**
3. Aseta pölynimurin valmiustilan kytkin asentoon "AUTO".

► **Kuva80:** 1. Valmiustilan kytkin

4. Paina laitteen langatonta aktivointipainiketta lyhyesti. Langattoman aktivoinnin merkkivalo vilkkuu sinisenä.

► **Kuva81:** 1. Langaton aktivointipainike
2. Langattoman aktivoinnin merkkivalo

5. Kytke laite päälle. Tarkista, pyöriikö pölynimuri laitteen toimiessa.

Lopeta pölynimurin langaton aktivointi painamalla laitteen langatonta aktivointipainiketta.

HUOMAA: Laitteen langattoman aktivoinnin merkkivalo lopettaa vilkkumisen sinisenä, jos mitään toimintoa ei ole suoritettu 2 tunnin aikana. Tässä tapauksessa aseta pölynimurin valmiustilan kytkin asentoon "AUTO" ja paina uudelleen laitteen langatonta aktivointipainiketta.

HUOMAA: Pölynimuri käynnistyy/sammuu viiveellä. Käytössä on aikaviive kun pölynimuri tunnistaa laitteen kytkintöiminnon.



HUOMAA: Langattoman yksikön lähetysetaisyys voi vaihdella riippuen sijainnista ja ympäristön olosuhteista.

HUOMAA: Jos yhteen pölynimuriin on rekisteröity kaksi tai useampia laitteita, pölynimuri voi käynnistyä, vaikka laite ei ole päällä. Tämä johtuu siitä, että toinen henkilö käyttää langatonta aktivointitoimintoa.

Langattoman aktiivoinnin merkkivalon tilan kuvaus

► Kuva82: 1. Langattoman aktiivoinnin merkkivalo

Langattoman aktiivoinnin merkkivalo osoittaa langattoman aktiivointitoiminnon tilan. Katso merkkivalon tilaa koskeva tarkoitus alapuolella olevasta taulukosta.

Tila	Langattoman aktiivoinnin merkkivalo				Kuvaus
	Väri	 Päällä	 Vilkkuu	Kesto	
Valmiustila	Sininen	<input checked="" type="checkbox"/>		2 tuntia	Pölynimurin langaton aktiivointi on käytettävissä. Merkkivalo sammuu automaattisesti jos mitään toimintaa ei ole suoritettu 2 tunnin aikana.
		<input type="checkbox"/>		Kun laite on käynnissä.	Pölynimurin langaton aktiivointi on käytettävissä ja laite on käynnissä.
Laiterekisteröinti	Vihreä	<input checked="" type="checkbox"/>		20 sekuntia	Valmis laiterekisteröintiä varten. Odottaa rekisteröintiä pölynimurilta.
		<input type="checkbox"/>		2 sekuntia	Laiterekisteröinti on valmis. Langattoman aktiivoinnin merkkivalo vilkkuu sinisenä.
Laiterekisteröinnin peruutus	Punainen	<input checked="" type="checkbox"/>		20 sekuntia	Valmis laiterekisteröinnin peruutukseen. Odottaa peruutusta pölynimurilta.
		<input type="checkbox"/>		2 sekuntia	Laiterekisteröinnin peruutus on valmis. Langattoman aktiivoinnin merkkivalo vilkkuu sinisenä.
Muut	Punainen	<input type="checkbox"/>		3 sekuntia	Langattomalle yksikölle syötetään virtaa ja langaton aktiivointitoiminto käynnistyy.
	Pois päältä	-		-	Pölynimurin langaton aktiivointi on pysäytetty.

Laiterekisteröinnin peruutus pölynimurille

Suorita seuraavat toimenpiteet peruuttaessasi laiterekisteröinnin pölynimurille.

1. Asenna akut pölynimuriin ja laitteeseen.
2. Aseta pölynimurin valmiustilan kytkin asentoon "AUTO".

► Kuva83: 1. Valmiustilan kytkin

3. Paina pölynimurin langatonta aktiivointipainiketta 6 sekunnin ajan. Langattoman aktiivoinnin merkkivalo vilkkuu vihreänä ja tämän jälkeen punaisena. Tämän jälkeen paina laitteen langatonta aktiivointipainiketta samalla tavalla.

► Kuva84: 1. Langaton aktiivointipainike 2. Langattoman aktiivoinnin merkkivalo

Jos peruutus suoritetaan oikein, langattoman aktiivoinnin merkkivalo palaa punaisena 2 sekunnin ajan ja vilkkuu tämän jälkeen sinisenä.

HUOMAA: Langattoman aktiivoinnin merkkivalo lopettaa vilkkumisen punaisena 20 sekunnin kuluttua. Paina laitteen langatonta aktiivointipainiketta samalla kun imurin langattoman aktiivoinnin merkkivalo vilkkuu. Jos langattoman aktiivoinnin merkkivalo ei vilku punaisena, paina langatonta aktiivointipainiketta lyhyesti ja pidä sitä painettuna alas.

Langattoman aktivointitoiminnon vianetsintä

Tarkista laite ensin itse, ennen kuin viet sen korjattavaksi. Jos ongelmaan ei löydy ratkaisua käyttöoppaasta, älä kuitenkaan yritä purkaa työkalua osiin. Vie ota sen sijaan yhteyttä Makita-huoltoiliikkeeseen. Käytä korjaamiseen aina alkuperäisiä Makita-varaosia.

Epänormaali tila	Todennäköinen syy (toimintahäiriö)	Korjaus
Langattoman aktivoinnin merkivalo ei pala/vilkku.	Langatonta yksikköä ei ole asennettu laitteeseen. Langaton yksikkö on asennettu virheellisesti laitteeseen.	Asenna langaton yksikkö oikein.
	Langattoman yksikön liitäntä ja/tai ura on likainen.	Pyyhi langattoman yksikön liitäntä varovaisesti pölystä ja liasta ja puhdista ura.
	Laitteen langatonta aktivointipainiketta ei ole painettu.	Paina laitteen langatonta aktivointipainiketta lyhyesti.
	Pölynimurin valmiustilan kytkintä ei ole asetettu asentoon "AUTO".	Aseta pölynimurin valmiustilan kytkin asentoon "AUTO".
	Ei virransyöttöä	Syötä virtaa laitteelle ja pölynimurille.
Laiterekisteröintiä/laiterekisteröinnin peruutusta ei voi viimeistellä oikein.	Langatonta yksikköä ei ole asennettu laitteeseen. Langaton yksikkö on asennettu virheellisesti laitteeseen.	Asenna langaton yksikkö oikein.
	Langattoman yksikön liitäntä ja/tai ura on likainen.	Pyyhi langattoman yksikön liitäntä varovaisesti pölystä ja liasta ja puhdista ura.
	Pölynimurin valmiustilan kytkintä ei ole asetettu asentoon "AUTO".	Aseta pölynimurin valmiustilan kytkin asentoon "AUTO".
	Ei virransyöttöä	Syötä virtaa laitteelle ja pölynimurille.
	Virheellinen toiminta	Paina langatonta aktivointipainiketta lyhyesti ja suorita laiterekisteröinti/peruutus uudelleen.
	Laite ja pölynimuri ovat kaukana toisistaan (lähetyalueen ulkopuolella).	Siirrä laite ja pölynimuri lähemmäksi toisiaan. Maksimilähetysetäisyys on noin 10 m, mutta se voi kuitenkin vaihdella olosuhteista riippuen.
	Ennen laitteen rekisteröimistä/peruutusta: - laitteen kytkin on päällä, tai; - pölynimurin virtakytkin on päällä.	Paina langatonta aktivointipainiketta lyhyesti ja suorita laiterekisteröinti/peruutus uudelleen.
	Laiterekisteröintiä laitteelle tai pölynimurille ei ole viimeistely.	Suorita laiterekisteröinti sekä laitteelle että pölynimurille samanaikaisesti.
	Muiden laitteiden aiheuttama radiohäiriö voi muodostaa erittäin voimakkaita radioaaltoja.	Pidä laite ja pölynimuri kaukana laitteista, kuten Wi-Fi-laitteet ja mikroaaltouunit.
Pölynimuri ei toimi yhdessä laitteen kytkintöiminnon kanssa.	Langatonta yksikköä ei ole asennettu laitteeseen. Langaton yksikkö on asennettu virheellisesti laitteeseen.	Asenna langaton yksikkö oikein.
	Langattoman yksikön liitäntä ja/tai ura on likainen.	Pyyhi langattoman yksikön liitäntä varovaisesti pölystä ja liasta ja puhdista ura.
	Laitteen langatonta aktivointipainiketta ei ole painettu.	Paina langatonta aktivointipainiketta lyhyesti ja varmista, että langattoman aktivoinnin merkivalo vilkkuu sinisenä.
	Pölynimurin valmiustilan kytkintä ei ole asetettu asentoon "AUTO".	Aseta pölynimurin valmiustilan kytkin asentoon "AUTO".
	Yli 10 laitetta on rekisteröity pölynimurille.	Suorita laiterekisteröinti uudelleen. Jos yli 10 laitetta on rekisteröity pölynimurille, aikaisemmin rekisteröity laite peruutetaan automaattisesti.
	Pölynimuri poistaa kaikki laiterekisteröinnit.	Suorita laiterekisteröinti uudelleen.
	Ei virransyöttöä	Syötä virtaa laitteelle ja pölynimurille.
	Laite ja pölynimuri ovat kaukana toisistaan (lähetyalueen ulkopuolella).	Siirrä laite ja pölynimuri lähemmäksi toisiaan. Maksimilähetysetäisyys on noin 10 m, mutta se voi kuitenkin vaihdella olosuhteista riippuen.
	Muiden laitteiden aiheuttama radiohäiriö voi muodostaa erittäin voimakkaita radioaaltoja.	Pidä laite ja pölynimuri kaukana laitteista, kuten Wi-Fi-laitteet ja mikroaaltouunit.
Pölynimuri pyörii, vaikka laite ei toimi.	Muut käyttäjät käyttävät pölynimurin langatonta aktivointia heidän laitteillaan.	Katkaise muiden laitteiden langaton aktivointipainike tai peruuta muiden laitteiden laiterekisteröinti.

KUNNOSSAPITO

⚠️HUOMIO: Varmista aina ennen tarkastusta tai huoltoa, että työkalu on sammutettu ja akku irrotettu.

HUOMAUTUS: Älä koskaan käytä bensiiniä, ohenteita, alkoholia tai tms. aineita. Muutoin pinta voi halkeilla tai sen värit ja muoto voivat muuttua. Muutoin laitteeseen voi tulla värjäytymiä, muodon vääristymiä tai halkeamia.

Tuotteen TURVALLISUUDEN ja LUOTETTAVUUDEN takaamiseksi korjaukset, muut huoltoyöt ja säädöt on teetettävä Makitan valtuutetussa huoltopisteessä Makitan varaosia käyttäen.

JYRSINKÄRJET

Valinnainen lisävaruste

Suora kärki

► Kuva85

D	A	L1	L2
6	20	50	15
6	6	50	18
6	8	50	18
8	8	60	25
1/4"	20	50	15
1/4"	6	50	18
1/4"	8	50	18

Yksikkö: mm

U-urituskärki

► Kuva86

D	A	L1	L2	R
6	6	50	18	3
1/4"	6	50	18	3

Yksikkö: mm

V-urituskärki

► Kuva87

D	A	L1	L2	θ
6	20	50	15	90°
1/4"	20	50	15	90°

Yksikkö: mm

Porakärjen upottava jyrsinkärki

► Kuva88

D	A	L1	L2	L3
6	6	60	18	28
8	8	60	20	35
1/4"	6	60	18	28

Yksikkö: mm

Porakärjen tuplasti upottava jyrsinkärki

► Kuva89

D	A	L1	L2	L3	L4
6	6	70	40	12	14
8	8	80	55	20	25
1/4"	6	70	40	12	14

Yksikkö: mm

Kulmanpyörästyskärki

► Kuva90

D	A1	A2	L1	L2	L3	R
6	25	9	48	13	5	8
6	20	8	45	10	4	4
1/4"	25	9	48	13	5	8
1/4"	20	8	45	10	4	4

Yksikkö: mm

Viistoamiskärki

► Kuva91

D	A	L1	L2	L3	θ
6	23	46	11	6	30°
6	20	50	13	5	45°
6	20	49	14	2	60°
1/4"	23	46	11	6	30°
1/4"	20	48	13	5	45°
1/4"	20	49	14	2	60°

Yksikkö: mm

Kartiokäyräkärki

► Kuva92

D	A	L1	L2	R
6	20	43	8	4
6	25	48	13	8
1/4"	20	43	8	4
1/4"	25	48	13	8

Yksikkö: mm

Sinkkausterä

► Kuva93

D	A	L1	L2	θ
8	12	50	9	30°
8	14,5	55	10	35°
8	14,5	55	14,5	23°
1/4"	12	50	9	30°
1/4"	14,5	55	10	35°
1/4"	14,5	55	14,5	23°

Yksikkö: mm

Kuulalaakerin upottava jyrsinkärki

► Kuva94

D	A	L1	L2
6	10	50	20
1/4"	10	50	20

Yksikkö: mm

Kuulalaakerinen käyräkärki

► Kuva95

D	A1	A2	A3	L1	L2	L3	R
6	20	12	8	40	10	5,5	4
6	26	12	8	42	12	4,5	7
1/4"	20	12	8	40	10	5,5	4
1/4"	26	12	8	42	12	4,5	7

Yksikkö: mm

Kuulalaakerinen kulmanpyörästyskärki

► Kuva96

D	A1	A2	L1	L2	L3	R
6	15	8	37	7	3,5	3
6	21	8	40	10	3,5	6
1/4"	15	8	37	7	3,5	3
1/4"	21	8	40	10	3,5	6

Yksikkö: mm

Kuulalaakerinen viistoamiskärki

► Kuva97

D	A1	A2	L1	L2	θ
6	26	8	42	12	45°
6	20	8	41	11	60°
1/4"	26	8	42	12	45°
1/4"	20	8	41	11	60°

Yksikkö: mm

Kuulalaakerinen kartiokäyräkärki

► Kuva98

D	A1	A2	A3	A4	L1	L2	L3	R
6	20	18	12	8	40	10	5,5	3
6	26	22	12	8	42	12	5	5
1/4"	20	18	12	8	40	10	5,5	3
1/4"	26	22	12	8	42	12	5	5

Yksikkö: mm

Kuulalaakerinen suippokaarikärki

► Kuva99

D	A1	A2	L1	L2	L3	R1	R2
6	20	8	40	10	4,5	2,5	4,5
6	26	8	42	12	4,5	3	6
1/4"	20	8	40	10	4,5	2,5	4,5
1/4"	26	8	42	12	4,5	3	6

Yksikkö: mm

LISÄVARUSTEET

⚠HUOMIO: Seuraavia lisävarusteita tai laitteita suositellaan käytettäväksi tässä ohjeessa kuvatun Makita-työkalun kanssa. Muiden lisävarusteiden tai laitteiden käyttö voi aiheuttaa henkilövahinkoja. Käytä lisävarusteita ja -laitteita vain niiden käyttötarkoituksen mukaisesti.

Jos tarvitset apua tai yksityiskohtaisempia tietoja seuraavista lisävarusteista, ota yhteys paikalliseen Makitan huoltoon.

- Suorat ja uritusterät
- Reunanmuotoiluterät
- Viilujyrsinterät
- Suora ohjain
- Jyrsinohjain
- Jyrsinjalusta
- Jyrsinjalusta (hartsinen)
- Kallistusjalusta
- Yläjyrsinjalusta
- Kulmajalusta
- Kahvaruste
- Malliohjain
- Kiristysholkin kartio
- Kiintoavain 13
- Kiintoavain 22
- Langaton yksikkö
- Aito Makitan akku ja laturi

HUOMAA: Jotkin luettelossa mainitut varusteet voivat sisältyä työkalun toimitukseen vakiovarusteina. Ne voivat vaihdella maittain.

Tähän jyrsimiin sopivat lisävarusteet

Laitteessa voi käyttää seuraavia lisävarusteita erilaisiin tarkoituksiin. Eräitä lisävarusteita ei ole saatavilla sinun maassasi.

► Kuva100

1. **Jyrsinjalustan pohjalevy** (metalli)
2. **Jyrsinjalustan pohjalevy** (hartsia)
Jyrsintä näkyy selvästi.
3. **Kallistuslusta**
4. **Epäkeskoalusta**
5. **Yläjyrsinalusta**
6. **Lisävarustekahva**
7. **Mallilankun ohjain**
8. **Suoraohjain**
9. **Jyrsinohjain**
10. **Jyrsinkenkä**
Mahdollistaa reunojen tarkan työstämisen. *Käytä jyrsinohjaimen osien kanssa.
11. **Pölysuutin**
12. **Pohjalevy** (metalli)
13. **Suorakulmainen pohjalevy** (kallistusjalustan pohjalevy)
14. **Epäkeskopohjalevy** (epäkeskoalustan pohjalevy)
Kun käytetään epäkeskopohjalevyä ja lisävarustekahvaa, kahvan voi kiinnittää.
15. **Pohjalevy** (hartsia)
16. **Kahvan kanta**
17. **Tankotyyppinen kahva**
18. **Nuppityyppinen kahva** (yläjyrsinalustan kahva)
19. **Pölysuutin** yläjyrsinalustalle
20. **Malliohjain** yläjyrsinalustalle
21. **Ohjainpidike**
Tämä mahdollistaa jyrsinpohjan suoraohjaimen käytön yläjyrsinalustassa.
22. **Rinnakkaisohjain**
Sijainnin hienosäätötoiminto.
23. **Rinnakkaisohjain**
24. **Ohjainkiskon sovitin**
25. **Ohjainkisko**
Tarkkaan suoraan työstämiseen.
26. **Viisteohjain**
Ohjainkiskon kulman säätämiseen.
27. **Ohjainkiskon liitin** (2 kpl)
Kahden ohjainkiskon liittämiseen.
28. **Puristin** (vakiotyyppi)
Ohjainkiskon kiinnittämiseen.
29. **Puristin** (pikatyypin)
Ohjainkiskon kiinnittämiseen.
30. **Tuki**
Ohjainkiskon osien korjaaminen ylemmässä muovinauhassa.
31. **Kumituki**
Ohjainkiskon osien korjaaminen alemmassa kuminauhassa.
32. **Asetustuki**
Asetustuen ohjainkiskon osien korjaaminen.

► Kuva101

SPECIFIKATIONER

Model:		RT001G
Kapacitet på indsatspatron		6 mm, 8 mm eller 1/4"
Hastighed uden belastning		10.000 - 31.000 min ⁻¹
Samlet højde	med BL4025	245 mm
	med BL4040	251 mm
Mærkespænding		D.C. 36 V - 40 V maks.
Nettovægt		2,2 - 2,5 kg

- På grund af vores kontinuerlige forsknings- og udviklingsprogrammer kan hosstående specifikationer blive ændret uden varsel.
- Specifikationer og akku kan variere fra land til land.
- Vægten kan være anderledes afhængigt af tilbehøret, inklusive akkuen. Den letteste og tungeste kombination i henhold til EPA-procedure 01/2014 er vist i tabellen.

Anvendelig akku og oplader

Akku	BL4020 / BL4025 / BL4040
Oplader	DC40RA / DC40RB / DC40RC

- Nogle af de akkuer og opladere, der er angivet ovenfor, er muligvis ikke tilgængelige, afhængigt af hvilket område du bor i.

⚠ ADVARSEL: Brug kun de akkuer og opladere, der er angivet ovenfor. Brug af andre akkuer og opladere kan medføre personskaade og/eller brand.

Tilsigtet anvendelse

Maskinen er beregnet til tilskæring og afdrejning af træ, plastik og lignende materialer.

Støj

Det typiske A-vægtede støjniveau bestemt i overensstemmelse med EN62841-2-17:
 Arbejdstilstand: rotation uden belastning
 Lydtryksniveau ($L_{p(A)}$): 81 dB (A)
 Lydeffektniveau (L_{WA}): 92 dB (A)
 Usikkerhed (K): 3 dB (A)

BEMÆRK: De(n) angivne støjemissionsværdi(er) er målt i overensstemmelse med en standardtestmetode og kan anvendes til at sammenligne en maskine med en anden.

BEMÆRK: De(n) angivne støjemissionsværdi(er) kan også anvendes i en præliminær eksponeringsvurdering.

⚠ ADVARSEL: Bær høreværn.

⚠ ADVARSEL: Støjemissionen under den faktiske anvendelse af maskinen kan være forskellig fra de(n) angivne værdi(er), afhængigt af den måde hvorpå maskinen anvendes, især den type arbejdsemne der behandles.

⚠ ADVARSEL: Sørg for at identificere de sikkerhedsforskrifter til beskyttelse af operatøren, som er baseret på en vurdering af eksponering under de faktiske brugsforhold (med hensyntagen til alle dele i brugscyklussen, f.eks. de gange, hvor maskinen er slukket, og når den kører i tomgang i tilgift til afbrydertiden).

Vibration

Vibrationens totalværdi (tre-aksial vektorsum) bestemt i overensstemmelse med EN62841-2-17:
 Arbejdstilstand: rotation uden belastning
 Vibrationsemission (a_h): 2,5 m/s² eller mindre
 Usikkerhed (K): 1,5 m/s²

BEMÆRK: De(n) angivne totalværdi(er) for vibration er målt i overensstemmelse med en standardtestmetode og kan anvendes til at sammenligne en maskine med en anden.

BEMÆRK: De(n) angivne totalværdi(er) for vibration kan også anvendes i en præliminær eksponeringsvurdering.

⚠ ADVARSEL: Vibrationsemissionen under den faktiske anvendelse af maskinen kan være forskellig fra de(n) angivne værdi(er), afhængigt af den måde hvorpå maskinen anvendes, især den type arbejdsemne der behandles.

⚠ ADVARSEL: Sørg for at identificere de sikkerhedsforskrifter til beskyttelse af operatøren, som er baseret på en vurdering af eksponering under de faktiske brugsforhold (med hensyntagen til alle dele i brugscyklussen, f.eks. de gange, hvor maskinen er slukket, og når den kører i tomgang i tilgift til afbrydertiden).

EF-overensstemmelseserklæring

Kun for lande i Europa

EF-overensstemmelseserklæringen er inkluderet som Bilag A i denne brugsanvisning.

SIKKERHEDSADVARSLER

Almindelige sikkerhedsregler for el-værktøj

⚠ ADVARSEL: Læs alle de sikkerhedsadvarsler, instruktioner, illustrationer og specifikationer, der følger med denne maskine. Forsømmelse af at overholde alle nedenstående instruktioner kan medføre elektrisk stød, brand og/eller alvorlig personskade.

Gem alle advarsler og instruktioner til fremtidig reference.

Ordet "el-værktøj" i advarslerne henviser til det netforsynede (netledning) el-værktøj eller batteriforsynede (akku) el-værktøj.

Sikkerhedsadvarsler for akku overfræser

1. Brug skruetvinger eller en anden praktisk måde til at fastgøre og understøtte arbejdsemnet til en stabil platform. Hvis arbejdsemnet holdes i hånden eller mod kroppen, vil det være ustabil, hvilket kan medføre, at du mister kontrollen.
2. Hold kun i maskinen i de isolerede gribeblader, da skæreren kan komme i kontakt med skjulte ledninger. Hvis der skæres i en strømførende ledning, kan det gøre udsatte metaldele på maskinen strømførende og kan give operatøren et elektrisk stød.
3. Brug kun en overfræserbit, der er vurderet til mindst at svare til den maksimale hastighed, der er angivet på maskinen. Hvis maskinen har en variabel hastighedsstyringsfunktion, indstilles maskinhastigheden under overfræserbittens hastighedsklassificering.
4. Overfræserbitskaflet skal matche den designede spændepatron.
5. Bær høreværn ved længere tids brug.
6. Håndter overfræserbits yderst forsigtigt.
7. Kontroller overfræserbittens omhyggeligt for revner eller skader før brug. Udskift revnet eller beskadiget overfræserbit med det samme.
8. Undgå at skære i søm. Se efter og fjern alle søm fra arbejdsemnet, før arbejdet påbegyndes.
9. Hold godt fast i maskinen.
10. Hold hænderne på afstand af roterende dele.
11. Sørg for, at overfræserbitten ikke er i kontakt med arbejdsemnet, før der tændes ved kontakten.
12. Før du bruger maskinen på et egentligt arbejdsemne, skal du lade den køre et stykke tid. Hold øje med vibrationer eller rysten, der kan tyde på en forkert monteret overfræserbit.
13. Vær opmærksom på overfræserbittens rotationsretning og fremføringsretningen.
14. Lad ikke maskinen køre. Brug kun maskinen, når den holdes i hænderne.
15. Sluk altid, og vent, til overfræserbitten er helt stoppet, før maskinen fjernes fra arbejdsemnet.

16. Undlad at berøre overfræserbitten umiddelbart efter brugen. Den kan være meget varm og kan forårsage forbrændinger.
17. Undgå at smøre foden skødesløst med fortynder, benzin, olie eller lignende. De kan forårsage revner i foden.
18. Brug overfræserbits med den korrekte akseldiameter, der passer til maskinens hastighed.
19. Nogle materialer indeholder kemikalier, der kan være giftige. Sørg omhyggeligt for at undgå indånding af støv samt kontakt med huden. Følg materialeleverandørens sikkerhedsdata.
20. Anvend altid korrekt støvmaske/åndebrætsværn til det materiale og anvendelsesformål, du arbejder med.

GEM DISSE FORSKRIFTER.

⚠ ADVARSEL: LAD IKKE bekvemmelighed eller kendskab til produktet (opnået gennem gentagen brug) forhindre, at sikkerhedsforskrifterne for produktet nøje overholdes. MISBRUG eller forsømmelse af at følge de i denne brugsvejledning givne sikkerhedsforskrifter kan medføre alvorlig personskade.

Vigtige sikkerhedsinstruktioner for akkuen

1. Læs alle instruktioner og advarselmærkater på (1) akku-opladeren, (2) akkuen og (3) produktet, som anvender akku.
2. Adskil eller ændr ikke akkuen. Det kan muligvis resultere i en brand, overdreven varme eller eksplosion.
3. Hold straks op med anvendelsen, hvis brugstiden er blevet stærkt afkortet. Fortsat anvendelse kan resultere i risiko for overophedning, forbrændinger og endog eksplosion.
4. Hvis De har fået elektrolytvæske i øjnene, skal De straks skylle den ud med rent vand og derefter øjeblikkeligt søge lægehjælp. I modsat fald kan De miste synet.
5. Vær påpasselig med ikke at komme til at kortslutte akkuen:
 - (1) Rør ikke ved terminalerne med noget ledende materiale.
 - (2) Undgå at opbevare akkuen i en beholder sammen med andre genstande af metal, for eksempel søm, mønter og lignende.
 - (3) Udsæt ikke akkuen for vand eller regn. Kortslutning af akkuen kan forårsage en kraftig øgning af strømmen, overophedning, mulige forbrændinger og endog værktøjstop.
6. Opbevar og brug ikke maskinen og akkuen på steder, hvor temperaturen muligvis kan nå eller overstige 50 °C.
7. Lad være med at brænde akkuen, selv ikke i tilfælde, hvor den har lidt alvorlig skade eller er fuldstændig udtjent. Akkuen kan eksplodere, hvis man forsøger at brænde den.
8. Slå ikke søm i, skær ikke i, knus, kast, tab ikke akkuen og stød ikke akkuen mod en hård genstand. Sådant adfærd kan muligvis resultere i en brand, overdreven varme eller eksplosion.

9. **Anvend ikke en beskadiget akku.**
10. **De indbyggede litium-ion-batterier er underlagt lovkrav vedrørende farligt gods.**
 Ved kommerciel transport, f.eks. af tredjeparts transportselskaber, skal særlige krav til forpakning og mærkning overholdes.
 Ved forberedelse af udstyret til forsendelse skal du kontakte en ekspert i farligt gods. Overhold også eventuel mere detaljeret national lovgivning.
 Tape eller tildæk åbne kontakter, og pak batteriet på en måde, så det ikke kan flytte sig rundt i pakningen.
11. **Når akkuen bortskaftes, skal du fjerne den fra maskinen og bortskaft den på et sikkert sted. Følg de lokale love vedrørende bortskaftelsen af batterier.**
12. **Brug kun batterierne med de produkter, som Makita specificerer.** Hvis batterierne installeres i ikke-kompatible produkter, kan det medføre brand, kraftig varme, eksplosion eller udsivning af elektrolyt.
13. **Hvis maskinen ikke skal bruges i længere tid ad gangen, skal du fjerne batteriet fra maskinen.**
14. **Akkuen kan muligvis under og efter brug være varm, hvilket kan forårsage forbrændinger eller lavtemperaturforbrændinger. Vær påpasselig med håndtering af varme akkuer.**
15. **Rør ikke terminalen på maskinen straks efter brug, da den bliver varm nok til at forårsage forbrændinger.**
16. **Sørg for, at spåner, støv eller jord ikke sætter sig fast i akkuens terminaler, huller og riller.** Det kan forårsage opvarmning, antændelse, sprængning og funktionsfejl i maskinen eller akkuen, hvilket kan medføre forbrændinger eller personskade.
17. **Medmindre maskinen understøtter brugen i nærheden af elektriske højspændingsledninger, skal du ikke anvende akkuen i nærheden af elektriske højspændingsledninger.** Det kan muligvis medføre funktionsfejl på eller nedbrud af maskinen eller akkuen.
18. **Opbevar batteriet utilgængeligt for børn.**

GEM DENNE BRUGSANVISNING.

⚠FORSIGTIG: Brug kun originale batterier fra Makita. Brug af uoriginale Makita-batterier, eller batterier som er blevet ændret, kan muligvis medføre brud på batteriet, hvilket kan forårsage brand, personskade eller beskadigelse. Det ugyldiggør også Makita-garantien for Makita-maskinen og opladeren.

Tips til opnåelse af maksimal akku-levetid

1. **Oplad akkuen, inden den er helt afladet. Stop altid værktøjet, og oplad akkuen, hvis De bemærker, at værktøjeffekten er aftagende.**
2. **Genoplad aldrig en fuldt opladet akku. Overopladning vil afkorte akkuens levetid.**
3. **Oplad akkuen ved stuetemperatur ved 10 °C - 40 °C. Lad altid en varm akku få tid til at køle af, inden den oplades.**
4. **Når du ikke anvender akkuen, skal du fjerne den fra maskinen eller opladeren.**
5. **Oplad akkuen, hvis De ikke skal bruge den i længere tid (mere end seks måneder).**

Vigtige sikkerhedsinstruktioner for trådløs enhed

1. **Undlad at adskille eller ændre den trådløse enhed.**
2. **Opbevar den trådløse enhed utilgængeligt for små børn. Søg øjeblikkeligt læge, hvis den sluges ved et uheld.**
3. **Brug kun den trådløse enhed sammen med maskiner fra Makita.**
4. **Udsæt ikke den trådløse enhed for regn eller våde omgivelser.**
5. **Brug ikke den trådløse enhed på steder, hvor temperaturen overskrider 50 °C.**
6. **Brug ikke den trådløse enhed i nærheden af medicinske instrumenter som f.eks. pacemakere.**
7. **Brug ikke den trådløse enhed i nærheden af automatiske enheder.** Hvis den bruges, kan automatiske enheder udvikle fejlfunktion eller fejl.
8. **Undlad at betjene den trådløse enhed på steder med høje temperaturer eller steder, hvor der kan genereres statisk elektricitet eller elektrisk støj.**
9. **Den trådløse enhed kan frembringe elektromagnetiske felter (EMF), men de er ikke skadelige for brugeren.**
10. **Den trådløse enhed er et præcisionsinstrument. Undgå at tabe eller slå på den trådløse enhed.**
11. **Undgå at berøre terminalen på den trådløse enhed med de bare hænder eller metalliske materialer.**
12. **Tag altid batteriet ud af produktet, når den trådløse enhed monteres på det.**
13. **Når låget på åbningen åbnes, skal du undgå steder, hvor der kan komme støv eller vand ind i åbningen. Hold altid indgangen til åbningen ren.**
14. **Indsæt altid den trådløse enhed i den rigtige retning.**
15. **Undgå at trykke for hårdt på den trådløse aktiveringsknap på den trådløse enhed og/eller at trykke på knappen med en genstand med en skarp kant.**
16. **Luk altid låget på åbningen under brug.**
17. **Undlad at fjerne den trådløse enhed fra åbningen, når der er sluttet strøm til maskinen.** Hvis du gør dette, kan det medføre funktionsfejl i den trådløse enhed.
18. **Undlad at fjerne etiketten på den trådløse enhed.**
19. **Undlad at sætte nogen etiket på den trådløse enhed.**
20. **Lad ikke den trådløse enhed ligge på steder, hvor der kan genereres statisk elektricitet eller elektrisk støj.**
21. **Lad ikke den trådløse enhed ligge på steder, der er udsat for høj varme, for eksempel en bil, der står i solen.**
22. **Lad ikke den trådløse enhed ligge på et sted med støv eller pulver eller på et sted, hvor der kan udvikles ætsende gas.**

23. En pludselig temperaturændring kan forårsage dug på den trådløse enhed. Brug ikke den trådløse enhed, før duggen er tørret helt bort.
24. Ved rengøring af den trådløse enhed skal den aftørres forsigtigt med en tør, blød klud. Brug ikke rensebenzin, fortynder, ledende fedtstof eller lignende.
25. Ved opbevaring af den trådløse enhed skal den opbevares i den medfølgende æske eller i en beholder, der er fri for statisk elektricitet.
26. Indsæt ikke andre enheder end den trådløse enhed fra Makita i åbningen på maskinen.
27. Undlad at bruge maskinen, hvis låget til åbningen er beskadiget. Vand, støv og snavs, der kommer ind i åbningen, kan forårsage fejlfunktion.
28. Undlad at trække og/eller vride låget til åbningen mere end nødvendigt. Sæt låget på igen, hvis det falder af maskinen.
29. Udskift låget til åbningen, hvis det bliver væk eller ødelægges.

GEM DISSE FORSKRIFTER.

FUNKTIONSBESKRIVELSE

⚠ FORSIGTIG: Sørg altid for at maskinen er slukket, og at akkuen er taget ud, før der udføres justering eller kontrol af funktioner på maskinen.

Isætning eller fjernelse af akkuen

⚠ FORSIGTIG: Sluk altid for værktøjet, før De monterer eller fjerner akkuen.

⚠ FORSIGTIG: Hold værktøjet og akkuen fast ved montering eller fjernelse af akkuen. Hvis De ikke holder værktøjet og akkuen fast, kan de glide ud af hænderne på Dem og forårsage beskadigelse af værktøjet og akkuen eller personskade.

Akkuen fjernes ved, at De trækker den ud af værktøjet, idet De skyder knappen på forsiden af akkuen i stilling.

► **Fig.1:** 1. Rød indikator 2. Knap 3. Akku

Akkuen monteres ved, at De sætter tungen på akkuen ud for noten i kabinettet og lader den glide på plads. Sæt den hele vejen ind, så den låses på plads med et lille klik. Hvis den røde indikator på oversiden af knappen er synlig, betyder det, at den ikke er tilstrækkeligt låst.

⚠ FORSIGTIG: Monter altid akkuen helt, indtil den røde indikator ikke længere er synlig. Hvis dette ikke gøres, kan den falde ud af værktøjet ved et uheld, hvorved De selv eller personer i nærheden kan komme til skade.

⚠ FORSIGTIG: Brug ikke magt ved montering af akkuen. Hvis akkuen ikke glider på plads uden problemer, betyder det, at den ikke sættes i på korrekt vis.

Indikation af den resterende batteriladning

Tryk på kontrolknappen på akkuen for at få vist den resterende batteriladning. Indikatorlampen lyser i nogle sekunder.

► **Fig.2:** 1. Indikatorlamper 2. Kontrolknap

Indikatorlamper			Resterende ladning
Tændt	Slukket	Blinker	
■ ■ ■ ■			75% til 100%
■ ■ ■ □			50% til 75%
■ ■ □ □			25% til 50%
■ □ □ □			0% til 25%
▬ □ □ □			Genoplad batteriet.
■ ■ □ □			Der er muligvis fejl i batteriet.
□ □ ■ ■			

BEMÆRK: Afhængigt af brugsforholdene og den omgivende temperatur kan indikationen afvige en smule fra den faktiske ladning.

BEMÆRK: Den første indikatorlampe (længst mod venstre) vil blinke, når batteribeskyttelsessystemet aktiveres.

Beskyttelsessystem til værktøj/batteri

Maskinen er udstyret med et beskyttelsessystem til maskinen/batteriet. Dette system afbryder automatisk strømmen til motoren for at forlænge maskinens og batteriets levetid. Maskinen stopper automatisk under brugen, hvis maskinen eller batteriet udsættes for et af følgende forhold:

Overbelastningsbeskyttelse

Hvis batteriet bruges på en måde, der får det til at trække en unormalt høj strøm, stopper maskinen automatisk uden indikation. Sluk i så fald for maskinen, og stop den anvendelse, der medførte overbelastningen af maskinen. Tænd derefter for maskinen for at starte igen.

Beskyttelse mod overophedning

Hvis maskinen eller batteriet er overophedet, stopper maskinen automatisk. Lad i så fald maskinen og batteriet køle af, før du tænder for maskinen igen.

Beskyttelse mod overafledning

Når batteriladningen er utilstrækkelig, stopper maskinen automatisk. Tag i så fald akkuen ud af maskinen, og oplad akkuen.

Beskyttelse mod andre årsager

Beskyttelsessystemet er også designet til andre årsager, der kan beskadige maskinen og giver maskinen mulighed for at stoppe automatisk. Benyt alle nedenstående trin for at fjerne årsagerne, når maskinen midlertidigt er blevet bragt til standsning eller sat ud af drift.

1. Sluk for maskinen, og tænd den derefter igen for at genstarte.
2. Genoplad batteriet/batterierne, eller udskift det/dem med genopladet batteri/genopladede batterier.
3. Lad maskinen og batteriet/batterierne køle ned.

Hvis der ikke sker nogen forbedring ved at gendanne beskyttelsessystemet, kontaktes det lokale Makita-servicecenter.

Afbryderbetjening

Tryk på lås/oplås-knappen for at tænde for maskinen. Maskinen går i standbytilstand. Maskinen startes ved at trykke på start/stop-knappen i standbytilstand. Tryk på start/stop-knappen igen for at stoppe maskinen. Maskinen går i standbytilstand. Tryk på lås/oplås-knappen i standbytilstand for at slukke for maskinen.

► **Fig.3:** 1. Lås/oplås-knap 2. Start/stop-knap

BEMÆRK: Hvis maskinen efterlades i standbytilstand i 10 sekunder uden nogen betjening, slukker maskinen automatisk, og lampen går ud.

BEMÆRK: Du kan også stoppe maskinen og slukke for den ved at trykke på lås/oplås-knappen, mens maskinen kører.

Tænding af lampen foran

⚠FORSIGTIG: Kig aldrig direkte på lyskilden. Lad ikke lyset falde i Deres øjne.

Tryk på lås/oplås-knappen for at tænde for lampen. Tryk på lås/oplås-knappen igen for at slukke for lampen.

BEMÆRKNING: Når maskinen er overophedet, blinker lampen. Køl maskinen helt ned, før du bruger maskinen igen.

BEMÆRK: Brug en tør klud til at tørre snavset af lampens linse. Pas på ikke at ridse lampens linse, da dette muligvis kan dæmpe belysningen.

► **Fig.4:** 1. Lampe

Drejeknap til hastighedsjustering

Maskinens rotationshastighed kan ændres ved at dreje drejeknappen til hastighedsjustering. Nedenstående tabel viser tallet på drejeknappen og den tilsvarende rotationshastighed.

► **Fig.5:** 1. Drejeknap til hastighedsjustering

Tal	Hastighed
1	10.000 min ⁻¹
2	15.000 min ⁻¹
3	21.000 min ⁻¹
4	26.000 min ⁻¹
5	31.000 min ⁻¹

⚠FORSIGTIG: Undlad at ændre rotationshastigheden under drift. Ellers kan maskinens uventede reaktion forårsage personskade.

BEMÆRKNING: Hvis maskinen anvendes kontinuerligt ved lav hastighed i længere tid ad gangen, bliver motoren overbelastet med funktionsforstyrrelser til følge.

BEMÆRKNING: Justeringsdrejeknappen for hastighed kan kun drejes så langt som til 5 og tilbage til 1. Undlad at tvinge den forbi 5 eller 1, da hastighedsvælgerfunktionen muligvis ellers ikke længere vil fungere.

Elektronisk funktion

Maskinen er udstyret med elektroniske funktioner for nem betjening.

- Konstant hastighedskontrol
Funktionen til hastighedskontrol sørger for konstant rotationshastighed uanset belastningsforholdene.
- Blød start
Funktionen til blød start minimerer stødet ved start og får maskinen til at starte blødt.
- Blød bremse
Maskinen stopper forsigtigt med den bløde bremse. Den bløde bremse forhindrer beskadigelse af arbejdsemnet som følge af tilbageslag og giver dig mulighed for at starte næste anvendelse tidligere.
Hvis maskinen konsekvent undlader at stoppe overfræserbitten, efter at kontakten er slukket, skal der udføres service på maskinen hos et Makita-servicecenter.

SAMLING

⚠FORSIGTIG: Sørg altid for at maskinen er slukket, og at akkuen er taget ud, før der udføres noget arbejde på maskinen.

Montering eller afmontering af overfræserbitten

BEMÆRKNING: Undlad at tilspænde patronmøtrikken uden at montere en overfræsersbit, da patronkeglen kan gå i stykker.

Sæt overfræserbitten hele vejen ind i patronkeglen. Tryk på aksellåsen, og tilspænd patronmøtrikken med skruenøglen.

► **Fig.6:** 1. Aksellås 2. Løsn 3. Stram 4. Skruenøgle 5. Patronmøtrik

Du kan også tilspænde patronmøtrikken forsvarligt med de to skruenøgler.

► **Fig.7:** 1. Skruenøgle 2. Løsn 3. Stram 4. Patronmøtrik

Følg monteringsproceduren i omvendt rækkefølge for at afmontere overfræserbitten.

BEMÆRK: Aksellåsen vender muligvis ikke tilbage til den oprindelige position, når du tilspænder patronmøtrikken under monteringen af overfræserbitten. Aksellåsen vender tilbage i den oprindelige position, når du starter maskinen.

► **Fig.8:** 1. Aksellås

Udskiftning af patronkeglen

⚠FORSIGTIG: Brug patronkeglen med den rigtige størrelse til den overfræserbit, som du har til hensigt at bruge.

⚠FORSIGTIG: Undlad at tilspænde patronmøtrikken uden at montere en overfræserbit, da patronkeglen kan gå i stykker.

1. Løsn patronmøtrikken, og afmonter den.
2. Udskift den monterede patronkegle med den ønskede patronkegle.

3. Genmonter patronmøtrikken.
► **Fig.9:** 1. Patronkegle 2. Patronmøtrik

Montering eller fjernelse af overfræserfoden

1. Åbn låsehåndtaget på overfræserfoden, og sæt derefter maskinen i overfræserfoden, idet rillen på maskinen justeres i forhold til fremspringet på overfræserfoden.

2. Luk låsehåndtaget.
► **Fig.10:** 1. Låsehåndtag

BEMÆRK: Du kan bruge overfræserfoden (harpiks) som ekstraudstyr som vist på illustrationen. Ved brug af overfræserfoden (harpiks) skal du løse eller stramme fingermøtrikken i stedet for at åbne eller lukke låsehåndtaget.

Juster stativet på maskinen med den lige tandhjulsvæksling på overfræserfoden.

► **Fig.11:** 1. Fingermøtrik 2. Stativ 3. Lige tandhjulsvæksling

3. Monter støvmundstykket på overfræserfoden, og stram derefter fingerskruen.

► **Fig.12:** 1. støvmundstykke 2. Fingerskrue
► **Fig.13**

Følg monteringsproceduren i omvendt rækkefølge for at afmontere foden.

⚠FORSIGTIG: Når maskinen bruges sammen med overfræserfoden, skal du sørge for at montere støvmundstykket på overfræserfoden.

Montering eller fjernelse af vippefoden

Ekstraudstyr

1. Åbn låsehåndtaget på vippefoden, og sæt derefter maskinen i vippefoden, idet rillen på maskinen justeres i forhold til fremspringet på vippefoden.

2. Luk låsehåndtaget.
► **Fig.14:** 1. Låsehåndtag

Følg monteringsproceduren i omvendt rækkefølge for at afmontere foden.

Montering eller fjernelse af offsetfoden

Ekstraudstyr

1. Tryk på aksellåsen, og løsn derefter patronmøtrikken.
► **Fig.15:** 1. Patronmøtrik 2. Aksellås 3. Skruenøgle

2. Fjern patronmøtrikken og patronkeglen.
► **Fig.16:** 1. Patronmøtrik 2. Patronkegle

3. Monter remskiven på maskinen ved at trykke på aksellåsen og tilspænde remskiven med skruenøglen.
► **Fig.17:** 1. Skruenøgle 2. Remskive 3. Aksellås

4. Løsn skrueerne på fodpladen, og fjern derefter fodpladen.
► **Fig.18:** 1. Fodplade

5. Åbn låsehåndtaget på offsetfoden, og fastgør derefter offsetfoden til maskinen.

► **Fig.19:** 1. Låsehåndtag

6. Monter remmen på remskiven med en pind som en kærvskruetrækker ved at dreje remmen manuelt.

► **Fig.20:** 1. Remskive 2. Rem

7. Luk låsehåndtaget.
► **Fig.21:** 1. Låsehåndtag

8. Monter fodpladen ved at stramme skrueerne.
► **Fig.22:** 1. Fodplade

9. Sæt patronkeglen og overfræserbitten ind i offsetfoden, og stram derefter patronmøtrikken.

► **Fig.23:** 1. Overfræserbit 2. Patronmøtrik 3. Patronkegle

10. Sæt sekskantnøglen ind i hullet på offsetfoden, og stram derefter patronmøtrikken ved hjælp af skruenøglen.

► **Fig.24:** 1. Patronmøtrik 2. Skruenøgle
3. Sekskantnøgle

Følg monteringsproceduren i omvendt rækkefølge for at afmontere foden.

BEMÆRK: Du kan også montere remmen på remskiven uden at fjerne fodpladen som vist på illustrationen.

► **Fig.25:** 1. Remskive 2. Rem

Montering eller fjernelse af stikfoden

Ekstraudstyr

1. Åbn låsehåndtaget på stikfoden, og sæt derefter maskinen helt ind i stikfoden, idet rillen på maskinen justeres i forhold til fremspringet på stikfoden.

2. Luk låsehåndtaget.
► **Fig.26:** 1. Låsehåndtag

Følg monteringsproceduren i omvendt rækkefølge for at afmontere foden.

Montering eller fjernelse af parallellinealen på stikfoden

Ekstraudstyr

Indsæt styreskinne i hullerne på stikfoden, og stram derefter vingeboltene. Følg monteringsproceduren i omvendt rækkefølge for at afmontere linealen.

► **Fig.27:** 1. Vingebolt 2. Styreskinne

Montering eller fjernelse af støvmundstykket på stikfoden

Sæt støvmundstykket ind i stikfoden, så fremspringet på støvmundstykket passer ind i hakket i stikfoden, og stram derefter fingerskruen på støvmundstykket. Følg monteringsprocedureen i omvendt rækkefølge for at afmontere studsene.

► **Fig.28:** 1. Fremspring 2. støvmundstykke
3. Fingerskrue

► **Fig.29**

ANVENDELSE

Justering af skæredybden

Hvis du vil justere skæredybden, skal du åbne låsehåndtaget og derefter flytte maskinens fod op eller ned ved hjælp af justeringskruen. Luk låsehåndtaget fast i efter justeringen.

► **Fig.30:** 1. Låsehåndtag 2. Justeringskruer

BEMÆRKNING: Hvis maskinen ikke er fastgjort efter lukning af låsehåndtaget, skal du stramme sekskantmøtrikken og derefter lukke låsehåndtaget.

► **Fig.31:** 1. Sekskantmøtrik

Justering af skæredybden ved hjælp af stikfoden

Ekstraudstyr

1. Placer maskinen på den flade overflade.
2. Vælg stopperskruen ved at rotere stopperfoden.
► **Fig.32:** 1. Stopperskrue 2. Stopperfod
3. Løsn fastgøringsmøtrikken, og træk derefter stopperarmen op, mens du trykker på fremføringsknappen.
► **Fig.33:** 1. Stopperarm 2. Fastgøringsmøtrik
3. Fremføringsknap
4. Tryk maskinen nedad, indtil spidsen af overfræserbitten berører den flade overflade, og drej derefter på fastgøringshåndtaget for at fastgøre maskinen.
► **Fig.34:** 1. Fastgøringshåndtag 2. Overfræserbit
5. Tryk stopperarmen nedad, mens der trykkes på fremføringsknappen, indtil den berører stopperskruen.
► **Fig.35:** 1. Stopperarm 2. Stopperskrue
3. Fremføringsknap
6. Skub dybdevælgeren, så vælgeren peger på "0" på skalaen.
► **Fig.36:** 1. Dybdevælger
7. Juster skæredybden ved at trække opad i stopperarmen, mens der trykkes på fremføringsknappen.
► **Fig.37:** 1. Stopperarm 2. Fremføringsknap
8. Hvis du vil finjustere skæredybden, skal du dreje på drejeknappen på stopperarmen, så den peger på "0".
► **Fig.38:** 1. Drejeknap

9. Drej hovedet på stopperarmen for at opnå den ønskede dybde. Drej hovedet i retningen mod uret for at øge dybden. Drej hovedet i retningen med uret for at mindske dybden. (Dybden ændres med 1 mm pr. omdrejning.)

► **Fig.39:** 1. Hoved på stopperarmen

10. Stram fastgøringsmøtrikken til stopperarmen.

► **Fig.40:** 1. Fastgøringsmøtrik

11. Slip fastgøringshåndtaget.

► **Fig.41:** 1. Fastgøringshåndtag

Ved at trykke maskinen ned, indtil stopperarmen møder stopperskruen, kan du opnå den skæredybde, som du justerede ved hjælp af ovenstående procedure.

Brug af maskinen med overfræserfoden

Stil maskinfoden på arbejdsområdet, uden at overfræserbitten kommer i kontakt. Tænd for maskinen, og vent, til overfræserbitten opnår fuld hastighed. Flyt maskinen fremad hen over arbejdsområdets overflade. Hold maskinfoden lige, mens maskinen flyttes.

Ved skæring af kanten skal du sørge for at holde arbejdsområdets overflade til venstre for overfræserbitten i fremføringsretningen.

► **Fig.42**

BEMÆRK: Før du skærer i det egentlige arbejdsområde, anbefales det at foretage et prøvesnit. Den korrekte fremføringshastighed afhænger af overfræserbittens størrelse, typen af arbejdsområde og skæredybden. Hvis maskinen føres for hurtigt fremad, kan det medføre en dårlig snitkvalitet eller beskadigelse af overfræserbitten eller motoren. Hvis maskinen føres for langsomt fremad, kan snittet blive brændt, og skæreeoverfladen kan blive ødelagt.

Ved brug af overfræserskoen, det lige styr eller tilskæringsstyret skal du sørge for at holde dem i højre side i fremføringsretningen. Dette hjælper med at holde det justeret i forhold til siden af arbejdsområdet.

► **Fig.43:** 1. Overfræserbit 2. Arbejdsområde 3. Lige styr

BEMÆRKNING: Da overdreven skæring kan medføre overbelastning af motoren eller problemer med at styre maskinen, bør skæredybden ikke være mere end 3 mm ved en passage, når der skæres riller. Hvis du vil skære riller mere end 3 mm i dybden, skal du lave flere gennemløb med gradvist dybere overfræserbitindstillinger.

Brug af det lige styr

1. Saml det lige styr ved hjælp af boltens og vingemøtrikken.

► **Fig.44:** 1. Bolt 2. Vingemøtrik

2. Monter det lige styr på overfræserfoden ved hjælp af blokeringskruen.

► **Fig.45:** 1. Blokeringskruer

3. Løsn vingemøtrikken på det lige styr, og juster afstanden mellem overfræserbitten og det lige styr.

Tilspænd vingemøtrikken i den ønskede afstand.

► **Fig.46:** 1. Vingemøtrik

4. Flyt maskinen, så det lige styr flygter med siden af arbejdsemnet.

► Fig.47

Hvis afstanden (A) mellem siden af arbejdsemnet og skærepositionen er for stor for det lige styr, eller hvis siden af arbejdsemnet ikke er lige, kan det lige styr ikke anvendes.

Fastklem i så fald et lige bræt på arbejdsemnet, og brug det som styr i forhold til foden af overfræseren. Før maskinen frem i pilens retning.

► Fig.48

Brug af det lige styr til cirkulært arbejde

Til cirkulært arbejde samles det lige styr som vist i figurerne. Den mindste og største radius af de cirkler, der skal udskæres (afstanden mellem cirkelns midte og midten af overfræserbitten), er som følger:

- Minimum: 70 mm
- Maksimum: 221 mm

Til skæring af cirkler med en radius på mellem 70 mm og 121 mm

► Fig.49: 1. Centerhul

Til skæring af cirkler med en radius på mellem 121 mm og 221 mm

► Fig.50: 1. Centerhul

BEMÆRK: Der kan ikke skæres cirkler med en radius på mellem 172 mm og 186 mm ved hjælp af dette styr.

Juster centerhullet i det lige styr med centrum af den cirkel, der skal udskæres. Slå et søm med en diameter på mindre end 6 mm ind i centerhullet for at fastgøre det lige styr. Drej maskinen rundt om sømmet i retningen med uret.

► Fig.51: 1. Søm 2. Centerhul

Brug af skabelonstyret

Skabelonstyret gør det muligt at foretage gentagne nyt med skabelonmønstre ved hjælp af en skabelon.

1. Løsn skruerne på fodpladen, og fjern derefter fodpladen fra overfræserfoden.
2. Placer skabelonstyret på foden, og monter derefter fodpladen ved at stramme skruerne.

► Fig.52: 1. Fodplade 2. Skabelonstyr

3. Placer maskinen på skabelonen, og flyt maskinen, så skabelonstyret glider langs siden af skabelonen.

► Fig.53

BEMÆRK: Den faktiske størrelse af skæringen på arbejdsemnet er en smule anderledes end skabelonen. Forskellen er afstanden (X) mellem overfræserbitten og ydersiden af skabelonstyret. Afstanden (X) kan beregnes ved hjælp af følgende ligning:

Afstand (X) = (den udvendige diameter af skabelonstyret - diameteren af overfræserbitten) / 2

► Fig.54: 1. Overfræserbit 2. Skabelonstyr 3. Afstand (X) 4. Udvendig diameter af skabelonstyret 5. Skabelon 6. Arbejdsemne

Brug af tilskæringsstyret

Ekstraudstyr

Tilskæringsstyret gør det muligt at tilskære den buede side i f.eks. finér til møbler ved at flytte styrrullen langs siden af arbejdsemnet.

► Fig.55

1. Løsn blokeringskruen, monter derefter tilskæringsstyret på overfræserfoden, og stram derefter blokeringskruen.

► Fig.56: 1. Blokeringskruen

2. Løsn blokeringskruen, og juster afstanden mellem overfræserbitten og tilskæringsstyret ved at dreje justeringskruen (1 mm pr. omgang). Tilspænd blokeringskruen ved den ønskede afstand for at fastgøre tilskæringsstyret.

► Fig.57: 1. Justeringskruen 2. Blokeringskruen

3. Flyt maskinen, så styrrullen rider på siden af arbejdsemnet.

► Fig.58: 1. Arbejdsemne 2. Overfræserbit 3. Styrrulle

Brug af maskinen med vippefoden

Vippefoden bruges til at trimme kanten af laminatplader eller lignende materialer.

Vippefoden er nyttig til skråfasning. Løsn vingeskruerne, vip derefter maskinen i den ønskede vinkel, og stram derefter vingeskruerne.

Fastklem et lige bræt på arbejdsemnet, og brug det som styr i forhold til vippefoden. Før maskinen frem i pilens retning.

► Fig.59: 1. Vingeskrue

Brug af vippefodens plade sammen med overfræserfoden

Hvis du vil bruge overfræserfoden sammen med en firkantet fodplade, skal du afmontere fodpladen fra vippefoden og derefter montere den på overfræserfoden.

► Fig.60: 1. Vippefodens plade 2. Overfræserfodens plade

BEMÆRKNING: Brug skruerne på overfræserfoden, når du monterer vippefodens plade.

Skruerne på vippefoden er kortere end skruerne på overfræserfoden.

Brug af maskinen med offsetfoden

Offsetfoden bruges til at trimme kanten af laminatplader eller lignende materialer. Offsetfoden er praktisk til arbejde i snævre områder.

► Fig.61

Brug af overfræserfoden med offsetfodens plade og greb

Offsetfodens plade kan også bruges sammen med en overfræserfod og en grebmontering (ekstraudstyr) for at opnå større stabilitet.

1. Løsn skruerne på offsetfodens plade, og afmonter derefter offsetfodens plade fra offsetfoden.

► Fig.62: 1. Offsetfodens plade 2. Overfræserfodens plade

2. Monter offsetfodens plade på overfræserfoden ved at stramme skruerne.
3. Monter grebmonteringen og skinnetypegrebet på offsetfodens plade ved at stramme skruerne.

► **Fig.63:** 1. Skinnetypegreb 2. Grebmontering

Når knaptypegrebet er fjernet fra stikfoden, kan det monteres på offsetfoden i stedet for skinnetypegrebet.

► **Fig.64:** 1. Skrue 2. Knaptypegreb

Brug af maskinen med stikfoden

Hold altid godt fast i grebene med begge hænder under brugen. Betjen maskinen på samme måde som overfræserfoden.

Brug af det lige styr

Ekstraustyr

1. Monter det lige styr på styrholderen ved at stramme vingemøtrikken. Indsæt styrholderen i hullerne på stikfoden, og stram derefter vingeboltene.

► **Fig.65:** 1. Vingebolt 2. Styrholder 3. Vingemøtrik 4. Lige styr

2. Løsn vingemøtrikken på det lige styr, og juster afstanden mellem overfræserbitten og det lige styr. Tilspænd vingemøtrikken i den ønskede afstand.

► **Fig.66:** 1. Vingemøtrik

3. Betjen maskinen på samme måde som det lige styr til overfræserfoden.

► **Fig.67**

Brug af skabelonstyret

Ekstraustyr

1. Løsn skruerne på foden, og fjern dem. Placer skabelonstyret på foden, og stram derefter skruerne.

► **Fig.68:** 1. Skrue 2. Skabelonstyr

2. Betjen maskinen på samme måde som skabelonstyret til overfræserfoden.

► **Fig.69**

Brug af parallellinealen

Parallellinealen anvendes effektivt til lige snit i forbindelse med skrâfasning eller skæring af riller. Juster afstanden mellem overfræserbitten og parallellinealen. Tilspænd vingeboltene ved den ønskede afstand for at holde parallellinealen på plads. Ved skæring skal du flytte maskinen, så parallellinealen flugter med siden af arbejdsemnet.

► **Fig.70**

Hvis afstanden (A) mellem siden af arbejdsemnet og skærepositionen er for stor til parallellinealen, eller hvis siden af arbejdsemnet ikke er lige, kan parallellinealen ikke anvendes.

Fastklem i så fald et lige bræt på arbejdsemnet, og brug det som styr i forhold til stikfoden. Før maskinen frem i pilens retning.

► **Fig.71**

Udskiftning af knaptypegrebet med skinnetypegrebet

Hvis du vil montere skinnetypegrebet på stikfoden, skal du løse skruen på knaptypegrebet, derefter fjerne knaptypegrebet, og derefter montere skinnetypegrebet ved at stramme den.

► **Fig.72:** 1. Knaptypegreb 2. Skrue 3. Skinnetypegreb

TRÅDLØS AKTIVERINGSFUNKTION

Hvad kan du foretage dig med den trådløse aktiveringsfunktion

Den trådløse aktiveringsfunktion muliggør ren og behagelig anvendelse. Hvis der slutes en understøttet støvsuger til maskinen, kan du lade støvsugeren køre automatisk, når kontakten på maskinen betjenes.

► **Fig.73**

Hvis du vil bruge den trådløse aktiveringsfunktion, skal du forberede følgende genstande:

- En trådløs enhed (ekstraustyr)
- En støvsuger, der understøtter den trådløse aktiveringsfunktion

Følgende er et overblik over indstilling af den trådløse aktiveringsfunktion. Se de enkelte afsnit for detaljerede procedurer.

1. Montering af en trådløs enhed
2. Maskinregistrering til støvsugeren
3. Start af den trådløse aktiveringsfunktion

Montering af en trådløs enhed

Ekstraustyr

⚠FORSIGTIG: Placer maskinen på en flad og stabil overflade, når den trådløse enhed monteres.

BEMÆRKNING: Fjern støv og snavs fra maskinen, før den trådløse enhed monteres. Støv eller snavs kan forårsage funktionsfejl, hvis det kommer ind i åbningen til den trådløse enhed.

BEMÆRKNING: For at forhindre fejlfunktion forårsaget af statisk elektricitet skal du berøre et statisk afledende materiale som f.eks. en metaldele på maskinen, før du tager den trådløse enhed op.

BEMÆRKNING: Ved montering af den trådløse enhed skal du altid sikre dig, at den trådløse enhed er indsat i den korrekte retning, og at låget er lukket helt.

1. Åbn låget på maskinen som vist på figuren.

► **Fig.74:** 1. Låg

2. Indsæt den trådløse enhed i åbningen, og luk derefter låget.

Ved indsættelse af den trådløse enhed skal fremspringene justeres i forhold til de forsænkede dele på åbningen.

► **Fig.75:** 1. Trådløs enhed 2. Fremspring 3. Låg 4. Forsænket del

Ved fjernelse af den trådløse enhed åbnes låget langsomt. Krogene bag på låget løfter den trådløse enhed, når du trækker låget op.

► **Fig.76:** 1. Trådløs enhed 2. Krog 3. Låg

Når den trådløse enhed er fjernet, skal den opbevares i den medfølgende æske eller i en beholder, der er fri for statisk elektricitet.

BEMÆRKNING: Brug altid krogene bag på låget ved fjernelse af den trådløse enhed. Hvis krogene ikke griber fat i den trådløse enhed, skal du lukke låget helt og åbne det langsomt igen.

Maskinregistrering til støvsugeren

BEMÆRK: Du skal bruge en Makita-støvsuger, der understøtter den trådløse aktiveringsfunktion, til maskinregistreringen.

BEMÆRK: Afslut monteringen af den trådløse enhed på maskinen, før maskinregistreringen startes.

BEMÆRK: Under maskinregistreringen må du ikke trykke på afbryderknappen eller tænde for hovedafbryderen på støvsugeren.

BEMÆRK: Se også i brugsanvisningen til støvsugeren.

Hvis du vil aktivere støvsugeren, når kontakten på maskinen betjenes, skal du først afslutte maskinregistreringen.

1. Sæt batterierne i støvsugeren og maskinen.

2. Sæt standby-kontakten på støvsugeren til "AUTO".

► **Fig.77:** 1. Standby-kontakt

3. Tryk på den trådløse aktiveringsknap på støvsugeren i 3 sekunder, indtil den trådløse aktiveringslampe blinker grønt. Tryk derefter på den trådløse aktiveringsknap på maskinen på samme måde.

► **Fig.78:** 1. Trådløs aktiveringsknap 2. Trådløs aktiveringslampe

Hvis støvsugeren og maskinen sammenkædes korrekt, lyser de trådløse aktiveringslamper grønt i 2 sekunder og begynder at blinke blåt.

BEMÆRK: De trådløse aktiveringslamper holder op med at blinke grønt efter 20 sekunder. Tryk på den trådløse aktiveringsknap på maskinen, når den trådløse aktiveringslampe på støvsugeren blinker. Hvis den trådløse aktiveringslampe ikke blinker grønt, skal du trykke kortvarigt på den trådløse aktiveringsknap og holde den nede igen.

BEMÆRK: Når der udføres to eller flere maskinregistreringer for én støvsuger, skal maskinregistreringerne udføres en for en.

Start af den trådløse aktiveringsfunktion

BEMÆRK: Afslut maskinregistreringen for støvsugeren før den trådløse aktivering.

BEMÆRK: Se også i brugsanvisningen til støvsugeren.

Når en maskine er registreret til støvsugeren, kører støvsugeren automatisk, når kontakten på maskinen betjenes.

1. Monter den trådløse enhed på maskinen.

2. Slut støvsugerens slange til maskinen.

► **Fig.79**

3. Sæt standby-kontakten på støvsugeren til "AUTO".

► **Fig.80:** 1. Standby-kontakt

4. Tryk kortvarigt på den trådløse aktiveringsknap på maskinen. Den trådløse aktiveringslampe blinker blåt.

► **Fig.81:** 1. Trådløs aktiveringsknap 2. Trådløs aktiveringslampe

5. Tænd for maskinen. Kontroller, om støvsugeren kører, mens maskinen er i drift.

Tryk på den trådløse aktiveringsknap på maskinen for at stoppe den trådløse aktivering af støvsugeren.

BEMÆRK: Den trådløse aktiveringslampe på maskinen holder op med at blinke blåt, hvis der ikke sker nogen betjening i 2 timer. Indstil i så fald standby-kontakten på støvsugeren til "AUTO", og tryk på den trådløse aktiveringsknap på maskinen igen.

BEMÆRK: Støvsugeren starter/stopper, når den trådløse aktivering registrerer en betjening af kontakten på maskinen.










BEMÆRK: Den trådløse enheds transmissionsafstand kan variere afhængigt af placeringen og de omgivende forhold.

BEMÆRK: Når to eller flere maskiner er registreret til én støvsuger, kan støvsugeren begynde at køre, selvom du ikke tænder for maskinen, fordi en anden bruger anvender den trådløse aktiveringsfunktion.

Beskrivelse af den trådløse aktiveringslampe status

► Fig.82: 1. Trådløs aktiveringslampe

Den trådløse aktiveringslampe viser status for den trådløse aktiveringsfunktion. Se i tabellen nedenfor vedrørende betydningen af lampens status.

Status	Trådløs aktiveringslampe				Beskrivelse
	Farve	 Tændt	 Blinker	Varighed	
Standby	Blå			2 timer	Den trådløse aktivering af støvsugeren er tilgængelig. Lampen slukkes automatisk, hvis der ikke sker nogen betjening i 2 timer.
				Når maskinen kører.	Den trådløse aktivering af støvsugeren er tilgængelig, og maskinen kører.
Maskinregistrering	Grøn			20 sekunder	Klar til maskinregistrering. Venter på registrering fra støvsugeren.
				2 sekunder	Maskinregistreringen er fuldført. Den trådløse aktiveringslampe begynder at blinke blåt.
Annullerer maskinregistrering	Rød			20 sekunder	Klar til annullering af maskinregistrering. Venter på annullering fra støvsugeren.
				2 sekunder	Annulleringen af maskinregistreringen er fuldført. Den trådløse aktiveringslampe begynder at blinke blåt.
Andre	Rød			3 sekunder	Der er strøm til den trådløse enhed, og den trådløse aktiveringsfunktion starter.
	Slukket	-		-	Den trådløse aktivering af støvsugeren er stoppet.

annullerer maskinregistrering for støvsugeren

Benyt følgende fremgangsmåde ved annullering af maskinregistreringen for støvsugeren.

1. Sæt batterierne i støvsugeren og maskinen.
2. Sæt standby-kontakten på støvsugeren til "AUTO".

► Fig.83: 1. Standby-kontakt

3. Tryk på den trådløse aktiveringsknap på støvsugeren i 6 sekunder. Den trådløse aktiveringslampe blinker grønt og bliver derefter rød. Tryk derefter på den trådløse aktiveringsknap på maskinen på samme måde.

► Fig.84: 1. Trådløs aktiveringsknap 2. Trådløs aktiveringslampe

Hvis annulleringen gennemføres korrekt, lyser de trådløse aktiveringslamper rødt i 2 sekunder og begynder at blinke blåt.

BEMÆRK: De trådløse aktiveringslamper holder op med at blinke rødt efter 20 sekunder. Tryk på den trådløse aktiveringsknap på maskinen, når den trådløse aktiveringslampe på støvsugeren blinker. Hvis den trådløse aktiveringslampe ikke blinker rødt, skal du trykke kortvarigt på den trådløse aktiveringsknap og holde den nede igen.

Fejlfinding i forbindelse med den trådløse aktiveringsfunktion

Udfør selv en inspektion, inden De anmoder om reparation. Hvis De opdager et problem, som ikke er forklaret i brugsanvisningen, må De ikke forsøge at adskille maskinen. Rådfør Dem i stedet med et autoriseret Makita Servicecenter, og brug altid originale Makita udskiftningsdele til reparationer.

Unormal tilstand	Sandsynlig årsag (fejl)	Afhjælpning
Den trådløse aktiveringslampe tændes/blinker ikke.	Den trådløse enhed er ikke monteret på maskinen. Den trådløse enhed er ikke monteret korrekt på maskinen.	Monter den trådløse enhed korrekt.
	Terminalen på den trådløse enhed og/eller åbningen er snavset.	Aftør forsigtigt støv og snavs på terminalen på den trådløse enhed, og rengør åbningen.
	Der er ikke trykket på den trådløse aktiveringsknap på maskinen.	Tryk kortvarigt på den trådløse aktiveringsknap på maskinen.
	Standby-kontakten på støvsugeren er ikke indstillet til "AUTO".	Sæt standby-kontakten på støvsugeren til "AUTO".
	Ingen strømforsyning	Tilfør strøm til maskinen og støvsugeren.
Kan ikke afslutte maskinregistrering/annullering af maskinregistrering korrekt.	Den trådløse enhed er ikke monteret på maskinen. Den trådløse enhed er ikke monteret korrekt på maskinen.	Monter den trådløse enhed korrekt.
	Terminalen på den trådløse enhed og/eller åbningen er snavset.	Aftør forsigtigt støv og snavs på terminalen på den trådløse enhed, og rengør åbningen.
	Standby-kontakten på støvsugeren er ikke indstillet til "AUTO".	Sæt standby-kontakten på støvsugeren til "AUTO".
	Ingen strømforsyning	Tilfør strøm til maskinen og støvsugeren.
	Forkert betjening	Tryk kortvarigt på den trådløse aktiveringsknap, og udfør procedurerne for maskinregistrering/annullering igen.
	Maskinen og støvsugeren er ikke i nærheden af hinanden (uden for transmissionsafstand).	Flyt maskinen og støvsugeren tættere på hinanden. Den maksimale transmissionsafstand er cirka 10 m, men kan variere afhængigt af forholdene.
	Før du afslutter registreringen/annulleringen af maskinen; - er kontakten på maskinen tændt eller; - er tænd/sluk-knappen på støvsugeren tændt.	Tryk kortvarigt på den trådløse aktiveringsknap, og udfør procedurerne for maskinregistrering/annullering igen.
	Maskinregistreringsprocedurerne på maskinen eller støvsugeren er ikke fuldført.	Gennemfør maskinregistreringsprocedurerne både på maskinen og støvsugeren på samme tid.
	Radiointerferens fra andre apparater, der udsender højintens radiobølger.	Hold maskinen og støvsugeren væk fra apparater som f.eks. Wi-Fi-enheder og mikrobølgeovne.
Støvsugeren kører ikke, når kontakten på maskinen betjenes.	Den trådløse enhed er ikke monteret på maskinen. Den trådløse enhed er ikke monteret korrekt på maskinen.	Monter den trådløse enhed korrekt.
	Terminalen på den trådløse enhed og/eller åbningen er snavset.	Aftør forsigtigt støv og snavs på terminalen på den trådløse enhed, og rengør åbningen.
	Der er ikke trykket på den trådløse aktiveringsknap på maskinen.	Tryk kortvarigt på den trådløse aktiveringsknap, og kontroller, at den trådløse aktiveringslampe blinker blåt.
	Standby-kontakten på støvsugeren er ikke indstillet til "AUTO".	Sæt standby-kontakten på støvsugeren til "AUTO".
	Der er registreret mere end 10 maskiner til støvsugeren.	Udfør maskinregistreringen igen. Hvis der er registreret mere end 10 maskiner til støvsugeren, bliver den maskine, der blev registreret tidligst, automatisk annulleret.
	Støvsugeren har slettet alle maskinregistreringer.	Udfør maskinregistreringen igen.
	Ingen strømforsyning	Tilfør strøm til maskinen og støvsugeren.
	Maskinen og støvsugeren er ikke i nærheden af hinanden (uden for transmissionsafstand).	Flyt maskinen og støvsugeren tættere på hinanden. Den maksimale transmissionsafstand er cirka 10 m, men kan variere afhængigt af forholdene.
	Radiointerferens fra andre apparater, der udsender højintens radiobølger.	Hold maskinen og støvsugeren væk fra apparater som f.eks. Wi-Fi-enheder og mikrobølgeovne.
Støvsugeren kører, mens maskinen ikke er i drift.	Andre brugere anvender den trådløse aktivering af støvsugeren med deres maskiner.	Deaktiver den trådløse aktiveringsknap på de andre maskiner, eller annuller maskinregistreringen af de andre maskiner.

VEDLIGEHOEDSELSE

⚠ FORSIGTIG: Vær altid sikker på, at værktøjet er slukket, og at akkuen er taget ud, inden De begynder at udføre inspektion eller vedligeholdelse.

BEMÆRKNING: Anvend aldrig benzin, rensbenzin, fortynder, alkohol og lignende. Det kan medføre misfarvning, deformation eller revner.

For at opretholde produktets SIKKERHED og PÅLIDELIGHED må reparation, vedligeholdelse eller justering kun udføres af et autoriseret Makita servicecenter eller fabrikksservicecenter med anvendelse af Makita reservedele.

OVERFRÆSERBITS

Ekstraudstyr

Lige bit

► Fig.85

D	A	L1	L2
6	20	50	15
6	6	50	18
6	8	50	18
8	8	60	25
1/4"	20	50	15
1/4"	6	50	18
1/4"	8	50	18

Enhed: mm

U-rillebit

► Fig.86

D	A	L1	L2	R
6	6	50	18	3
1/4"	6	50	18	3

Enhed: mm

V-rillebit

► Fig.87

D	A	L1	L2	θ
6	20	50	15	90°
1/4"	20	50	15	90°

Enhed: mm

Bit til udglatning af borepunkt

► Fig.88

D	A	L1	L2	L3
6	6	60	18	28
8	8	60	20	35
1/4"	6	60	18	28

Enhed: mm

Bit til dobbelt udglatning af borepunkt

► Fig.89

D	A	L1	L2	L3	L4
6	6	70	40	12	14
8	8	80	55	20	25
1/4"	6	70	40	12	14

Enhed: mm

Bit til afrunding af hjørner

► Fig.90

D	A1	A2	L1	L2	L3	R
6	25	9	48	13	5	8
6	20	8	45	10	4	4
1/4"	25	9	48	13	5	8
1/4"	20	8	45	10	4	4

Enhed: mm

Skråfasningsbit

► Fig.91

D	A	L1	L2	L3	θ
6	23	46	11	6	30°
6	20	50	13	5	45°
6	20	49	14	2	60°
1/4"	23	46	11	6	30°
1/4"	20	48	13	5	45°
1/4"	20	49	14	2	60°

Enhed: mm

Bugtbortlingsbit

► Fig.92

D	A	L1	L2	R
6	20	43	8	4
6	25	48	13	8
1/4"	20	43	8	4
1/4"	25	48	13	8

Enhed: mm

Sinkningsbit

► Fig.93

D	A	L1	L2	θ
8	12	50	9	30°
8	14,5	55	10	35°
8	14,5	55	14,5	23°
1/4"	12	50	9	30°
1/4"	14,5	55	10	35°
1/4"	14,5	55	14,5	23°

Enhed: mm

Bit til udglatning med kugleleje

► Fig.94

D	A	L1	L2
6	10	50	20
1/4"	10	50	20

Enhed: mm

Bit til bertling med kugleleje

► Fig.95

D	A1	A2	A3	L1	L2	L3	R
6	20	12	8	40	10	5,5	4
6	26	12	8	42	12	4,5	7
1/4"	20	12	8	40	10	5,5	4
1/4"	26	12	8	42	12	4,5	7

Enhed: mm

Bit til afrunding af hjørner med kugleleje

► Fig.96

D	A1	A2	L1	L2	L3	R
6	15	8	37	7	3,5	3
6	21	8	40	10	3,5	6
1/4"	15	8	37	7	3,5	3
1/4"	21	8	40	10	3,5	6

Enhed: mm

Bit til skræfning med kugleleje

► Fig.97

D	A1	A2	L1	L2	θ
6	26	8	42	12	45°
6	20	8	41	11	60°
1/4"	26	8	42	12	45°
1/4"	20	8	41	11	60°

Enhed: mm

Bit til bugtbertling med kugleleje

► Fig.98

D	A1	A2	A3	A4	L1	L2	L3	R
6	20	18	12	8	40	10	5,5	3
6	26	22	12	8	42	12	5	5
1/4"	20	18	12	8	40	10	5,5	3
1/4"	26	22	12	8	42	12	5	5

Enhed: mm

Antikkarnisbit med kugleleje

► Fig.99

D	A1	A2	L1	L2	L3	R1	R2
6	20	8	40	10	4,5	2,5	4,5
6	26	8	42	12	4,5	3	6
1/4"	20	8	40	10	4,5	2,5	4,5
1/4"	26	8	42	12	4,5	3	6

Enhed: mm

EKSTRAUDSTYR

⚠FORSIGTIG: Det følgende tilbehør og ekstraudstyr er anbefalet til brug med Deres Makita maskine, der er beskrevet i denne brugsanvisning. Anvendelse af andet tilbehør eller ekstraudstyr kan udgøre en risiko for personskade. Anvend kun tilbehør og ekstraudstyr til det beskrevne formål.

Hvis De behøver hjælp ved valg af tilbehør eller ønsker yderligere informationer, bedes De kontakte Deres lokale Makita servicecenter.

- Lige bits og rilleformningsbits
- Kantformningsbits
- Laminattilskæringsbits
- Montering af lige styr
- Montering af tilskæringsstyr
- Montering af overfræserfod
- Montering af overfræserfod (harpiks)
- Montering af vippefod
- Montering af stikfod
- Montering af offsetfod
- Grebmontering
- Skabelonstyr
- Patronkegle
- Skruenøgle 13
- Skruenøgle 22
- Trådløs enhed
- Original Makita-akku og oplader

BEMÆRK: Nogle ting på denne liste kan være inkluderet i værktøjsspakken som standardtilbehør. Det kan være forskellige fra land til land.

Tilbehør, som gælder for denne overfræser

Maskinen kan bruges med følgende tilbehør til en række forskellige formål.

Nøget tilbehør er ikke tilgængeligt i dit land.

► Fig.100

1. **Overfræserfod** (metal)
2. **Overfræserfod** (harpiks)
Frit udsyn til snittet.
3. **Vippefod**
4. **Offsetfod**
5. **Stikfod**
6. **Grebmontering**
7. **Skabelonstyr**
8. **Lige styr**
9. **Tilskæringsstyr**
10. **Overfræser føringsanslag**
Muliggør nøjagtig kant. *Bruges sammen med dele af tilskæringsstyret.
11. **Støvmundstykke**
12. **Fodplade** (metal)
13. **Firkantet fodplade** (fodplade på vippefoden)
14. **Offsetfodens plade** (offsetfodens fodplade)
Ved at bruge offsetfodens plade med grebmonteringen kan grebet fastgøres.
15. **Fodplade** (harpiks)
16. **Håndtagsbase**
17. **Skinnetypegreb**
18. **Knaptyppegreb** (stikfodens greb)
19. **Støvmundstykke** til stikfoden
20. **Skabelonstyr** til stikfoden
21. **Styrholder**
Dette gør det muligt at bruge det lige styr til overfræserfoden på stikfoden.
22. **Parallellineal**
Finjusteringsfunktion til positionering.
23. **Parallellineal**
24. **Styreskinneadapter**
25. **Styreskinne**
Til nøjagtig lige skæring.
26. **Skråstyr**
Til vinkeljustering af styreskinnen.
27. **Samlingsstik til styreskinne** (2 stk.)
Til sammenføjning af to styreskinner.
28. **Spænde** (standardtype)
Til fastgørelse af styreskinnen.
29. **Spænde** (hurtig type)
Til fastgørelse af styreskinnen.
30. **Sæde**
Reparationsdele af styreskinnen til øvre plastiktape.
31. **Gummisæde**
Reparationsdele af styreskinnen til nedre plastiktape.
32. **Positionssæde**
Reparationsdele af styreskinnen til positionssædet.

► Fig.101

SPECIFIKĀCIJAS

Modelis:		RT001G
Ietvara spīlpatronas iekšējais diametrs		6 mm, 8 mm vai 1/4"
Ātrums bez slodzes		10 000–31 000 min ⁻¹
Kopējais augstums	ar BL4025	245 mm
	ar BL4040	251 mm
Nominālais spriegums		Līdzstrāva 36 V–40 V maks.
Tīrsvars		2,2–2,5 kg

- Nepārtrauktās izpētes un izstrādes programmas dēļ šeit uzrādītās specifikācijas var tikt mainītas bez brīdinājuma.
- Specifikācijas un akumulatora kasetne var atšķirties dažādās valstīs.
- Svārs var būt atšķirīgs atkarībā no papildierīces (-ēm), tostarp akumulatora kasetnes. Tabulā ir attēlota vieglākā un smagākā kombinācija atbilstoši EPTA procedūrai 01/2014.

Piemērotā akumulatora kasetne un lādētājs

Akumulatora kasetne	BL4020 / BL4025 / BL4040
Lādētājs	DC40RA / DC40RB / DC40RC

- Daži no iepriekš norādītajiem lādētājiem un akumulatora kasetnēm var nebūt pieejami atkarībā no jūsu mītnes reģiona.

▲BRĪDINĀJUMS: Izmantojiet vienīgi iepriekš norādītās akumulatora kasetnes un lādētājus. Cita tipa akumulatora kasetņu un lādētāju izmantošana var radīt traumu un/vai aizdegšanās risku.

Paredzētā lietošana

Šis darbarīks paredzēts koka, plastmasas un tamlīdzīgu materiālu līdzenai apzāģēšanai un profilēšanai.

Trokšņa līmenis

Tipiskais A svērtais trokšņa līmenis noteikts saskaņā ar EN62841-2-17:

Darba režīms: rotācija bez slodzes
Skaņas spiediena līmeni (L_{pA}): 81 dB (A)
Skaņas jaudas līmeni (L_{WA}): 92 dB (A)
Mainīgums (K): 3 dB (A)

PIEZĪME: Paziņotā trokšņa emisijas vērtība noteikta atbilstoši standarta pārbaudes metodei, un to var izmantot, lai salīdzinātu vienu darbarīku ar citu.

PIEZĪME: Paziņoto trokšņa emisijas vērtību arī var izmantot iedarbības sākotnējā novērtējumā.

▲BRĪDINĀJUMS: Lietojiet ausu aizsargus.

▲BRĪDINĀJUMS: Trokšņa emisija patiesos darba apstākļos var atšķirties no paziņotās vērtības atkarībā no darbarīka izmantošanas veida un jo īpaši atkarībā no apstrādājamā materiāla veida.

▲BRĪDINĀJUMS: Lai aizsargātu lietotāju, nosakiet drošības pasākumus, kas pamatoti ar iedarbību reālos darba apstākļos (ņemot vērā visus ekspluatācijas cikla posmus, piemēram, laiku, kamēr darbarīks ir izslēgts un kad darbojas tukšgaitā, kā arī palaides laiku).

Vibrācija

Vibrācijas kopējā vērtība (trīsasu vektora summa) noteikta atbilstoši EN62841-2-17:

Darba režīms: rotācija bez slodzes
Vibrācijas izmēte (a_h): 2,5 m/s² vai mazāk
Mainīgums (K): 1,5 m/s²

PIEZĪME: Paziņotā kopējā vibrācijas vērtība noteikta atbilstoši standarta pārbaudes metodei, un to var izmantot, lai salīdzinātu vienu darbarīku ar citu.

PIEZĪME: Paziņoto kopējo vibrācijas vērtību arī var izmantot iedarbības sākotnējā novērtējumā.

▲BRĪDINĀJUMS: Vibrācijas emisija patiesos darba apstākļos var atšķirties no paziņotās vērtības atkarībā no darbarīka izmantošanas veida un jo īpaši atkarībā no apstrādājamā materiāla veida.

▲BRĪDINĀJUMS: Lai aizsargātu lietotāju, nosakiet drošības pasākumus, kas pamatoti ar iedarbību reālos darba apstākļos (ņemot vērā visus ekspluatācijas cikla posmus, piemēram, laiku, kamēr darbarīks ir izslēgts un kad darbojas tukšgaitā, kā arī palaides laiku).

EK atbilstības deklarācija

Tikai Eiropas valstīm

EK atbilstības deklarācija šajā lietošanas rokasgrāmatā ir iekļauta kā A pielikums.

DROŠĪBAS BRĪDINĀJUMI

Vispārīgi elektrisko darbarīku drošības brīdinājumi

▲BRĪDINĀJUMS: Izlasiet visus drošības brīdinājumus, instrukcijas, apskatiet ilustrācijas un tehniskos datus, kas iekļauti mehanizētā darbarīka komplektācijā. Ja netiek ievēroti visi tālāk minētie noteikumi, var tikt izraisīta elektrotrauma, notikt aizdegšanās un/vai rasties smagas traumas.

Glabājiet visus brīdinājumus un norādījumus, lai varētu tajos ieskatīties turpmāk.

Termins „elektrisks darbarīks” brīdinājumos attiecas uz tādu elektrisko darbarīku, ko darbina ar elektrību (ar vadu), vai tādu, ko darbina ar akumulatoru (bez vada).

Bezvadu apgriezējmašīnas drošības brīdinājumi

1. Izmantojiet skavas vai citu praktiski piemērojamu paņēmieni, lai apstrādājamo materiālu nostiprinātu un atbilstītu uz stabilas pamatnes. Turot materiālu ar roku vai pie ķermeņa, tas ir nestabilā stāvoklī, un jūs varat zaudēt kontroli pār to.
2. Veicot darbu, turiet mehanizēto darbarīku tikai pie izolētajām satveršanas virsmām, jo griezējs var saskarties ar apslēptu elektroinstalāciju. Sagriežot vadu, kurā ir strāva, mehanizētā darbarīka ārējās metāla virsmas var vadīt strāvu un radīt operatoram elektriskās strāvas trieciena risku.
3. Atļauts izmantot tikai tādas apgriezējmašīnas uzgaļus, kuru nominālais darbības ātrums ir vismaz vienāds ar maksimālo ātrumu, kas norādīts uz darbarīka. Ja darbarīkam ir maināma ātruma vadības funkcija, iestatiet darbarīka ātrumu mazāku par apgriezējmašīnas uzgaļa nominālo darbības ātrumu.
4. Apgriezējmašīnas uzgaļa kātam ir jābūt saderīgam ar ietvara spīļpatronu.
5. Ilgstoša darba laikā lietojiet ausu aizsargus.
6. Ar apgriezējmašīnas uzgaļiem rīkojieties ļoti uzmanīgi.
7. Pirms sākt darbu, uzmanīgi pārbaudiet, vai apgriezējmašīnas uzgalim nav plaisiju vai bojājumu. Nekavējoties nomainiet ielaisījušu vai bojātu apgriezējmašīnas uzgali.
8. Negrieziet naglas. Pirms sākt darbu pārbaudiet, vai apstrādājamā materiālā nav naglas, un tās izņemiet.
9. Darbarīku turiet cieši.
10. Rokas netuviniet rotējošām daļām.
11. Pirms slēdža pārslēgšanas ieslēgtā stāvoklī pārliecinieties, ka apgriezējmašīnas uzgalis nepieskaras apstrādājamajam materiālam.
12. Pirms darbarīka lietošanas nedaudz padarbiniet to bez slodzes. Pievērsiet uzmanību tam, vai nav vibrāciju vai svārstību, kas varētu norādīt, ka apgriezējmašīnas uzgalis uzstādīts nepareizi.

13. Pievērsiet uzmanību apgriezējmašīnas uzgaļa griešanās virzienam un padeves virzienam.
14. Neatstājiet darbarīku ieslēgtu. Darbiniet darbarīku vienīgi tad, ja turat to rokās.
15. Pirms apgriezējmašīnas izņemšanas no apstrādājamā materiāla vienmēr izslēdziet darbarīku un nogaidiet, līdz apgriezējmašīnas uzgalis pavisam apstājas.
16. Apgriezējmašīnas uzgalim nepieskarieties tūlīt pēc darba izpildes; tas var būt ļoti karsts un apdedzināt ādu.
17. Nesmērējiet uz pamatnes pārāk daudz šķīdinātāju, benzīnu, eļļu vai līdzīgas vielas. Tas var izraisīt pamatnes plaisāšanu.
18. Izmantojiet apgriezējmašīnas uzgaļus ar pareizu kāta diametru, kas piemērots darbarīka griešanās ātrumam.
19. Daži materiāli satur ķīmiskas vielas, kas var būt toksiskas. Izvairieties no putekļu ieelpošanas un to nokļūšanas uz ādas. Ievērojiet materiāla piegādātāja drošības datus.
20. Vienmēr izmantojiet materiālam un konkrētām gadījumam piemērotu putekļu masku/respiratoru.

SAGLABĀJIET ŠOS NORĀDĪJUMUS.

▲BRĪDINĀJUMS: NEPIELĀUJIET to, ka labu iemaņu vai izstrādājuma labas pārzināšanas (darbarīku atkārtoti ekspluatējot) rezultātā vairs stingri neievērojāt šī izstrādājuma drošības noteikumus. NEPAREIZI LIETOJOT darbarīku vai neievērojot šajā instrukciju rokasgrāmatā minētos drošības noteikumus, var tikt gūtas smagas traumas.

Svarīgi drošības norādījumi par akumulatora kasetni

1. Pirms akumulatora lietošanas izlasiet visus norādījumus un brīdinājumus, kuri attiecas uz (1) akumulatora lādētāju, (2) akumulatoru un (3) ierīci, kurā tiek izmantots akumulators.
2. Akumulatora kasetni nedrīkst ne pārveidot, ne izjaukt. Citādi var tikt izraisīta aizdegšanās, pārmerīgs karstums vai sprādzieni.
3. Ja akumulatora darbības laiks kļūva ievērojami īsāks, nekavējoties pārtrauciet to izmantot. Citādi, tas var izraisīt pārkarsējumu, uzliesmojumu vai pat sprādzienu.
4. Ja elektrolīts nonāk acīs, izskalojiet tās ar tīru ūdens un nekavējoties griezieties pie ārsta. Tas var izraisīt redzes zaudēšanu.
5. Neradiet īssavienojumu akumulatora kasetnē:
 - (1) Nepieskarieties spaiļiem ar elektrību vadošiem materiāliem.
 - (2) Neuzglabājiet akumulatoru kasetni kopā ar citiem metāla priekšmetiem, tādiem kā naglas, monētas u. c.
 - (3) Nepakļaujiet akumulatora kasetni ūdens vai lietus iedarbībai.Akumulatora īssavienojums var radīt spēcīgu strāvas plūsmu, pārkarsāšanu, uzliesmojumu un pat sabojāt akumulatoru.

6. **Neglabājiet un neizmantojiet darbarīku un akumulatora kasetni vietās, kur temperatūra var sasniegt vai pārsniegt 50 °C (122 °F).**
7. **Nededziniet akumulatora kasetni, pat ja tā ir stipri bojāta vai pilnībā nolietota. Akumulatora kasetne ugunī var eksplodēt.**
8. **Akumulatora kasetni nedrīkst naglot, griezt, saspīest, mest vai nomet, kā arī pa to nedrīkst sist ar cietu priekšmetu. Šādas darbības var izraisīt aizdegšanos, pārmērīgu karstumu vai sprādzienu.**
9. **Neizmantojiet bojātu akumulatoru.**
10. **Uz izmantotajiem litija jonu akumulatoriem attiecas likumdošanas prasības par bīstamiem izstrādājumiem.**
Komerציālā transportēšanā, ko veic, piemēram, trešās puses, transporta uzņēmumi, jāievēro uz iesaiņojuma un marķējuma norādītās īpašās prasības. Lai izstrādājumu sagatavotu nosūtīšanai, jāsaazinās ar bīstamo materiālu speciālistu. Ievērojiet arī citus attiecināmos valsts normatīvus. Valējus kontaktus nosedziet ar līmlenti vai citādi pārklājiet, bet akumulatoru iesaiņojiet tā, lai sainītas nevarētu izkustēties.
11. **Lai utilizētu akumulatora kasetni, izņemiet to no darbarīka un likvidējiet drošā vietā. Ievērojiet vietējos noteikumus par akumulatora likvidēšanu.**
12. **Izmantojiet šos akumulatorus tikai ar izstrādājumiem, kurus norādījis Makita. Ievietojot šos akumulatorus nesaderīgos izstrādājumos, var rasties ugunsgrēks, pārmērīgs karstums, tie var uzsprāgt vai no tiem var iztecēt elektrolīts.**
13. **Ja darbarīks netiks lietots ilgu laiku, no tā jāizņem akumulators.**
14. **Lietošanas laikā vai pēc tās akumulatora kasetne var uzkrāt siltumu, kas var izraisīt apdegumus vai zemas temperatūras apdegumus. Ar karstu akumulatora kasetni apējieties rūpīgi.**
15. **Nepieskarieties darbarīka izvadam uzreiz pēc lietošanas, jo tas var būt sakarsis un izraisīt apdegumus.**
16. **Neļaujiet akumulatora kasetnes spailēs, atverēs un rievās uzkrāties skaidām, putekļiem vai netīrumiem. Tas var izraisīt sasilšanu, aizdegšanos, sprādzienu un instrumenta vai akumulatora kasetnes nepareizu darbību, un lietotājs var gūt apdegumus vai ievainojumus.**
17. **Neizmantojiet akumulatora kasetni augstsprieguma līniju tuvumā, izņemot gadījumus, kad darbarīks ir piemērots lietošanai augstsprieguma līniju tuvumā. Citādi darbarīks vai akumulatora kasetne var sākt darboties nepareizi vai tikt sabojāti.**
18. **Glabājiet akumulatoru bērniem nepieejamā vietā.**

SAGLABĀJIET ŠOS NORĀDĪJUMUS.

⚠UZMANĪBU: Lietojiet tikai oriģinālos Makita akumulatorus. Ja lietojat neoriģinālus Makita akumulatorus vai pārveidotus akumulatorus, tie var uzsprāgt un izraisīt aizdegšanos, traumas un materiālos zaudējumus. Tiks anulēta arī Makita darbarīka un lādētāja garantija.

Ieteikumi akumulatora kalpošanas laika pagarināšanai

1. **Uzlādējiet akumulatora kasetni, pirms tā ir pilnībā izlādējusies. Vienmēr, kad ievērojāt, ka darbarīka darba jauda zudusi, apturiet darbarīku un uzlādējiet akumulatora kasetni.**
2. **Nekad neuzlādējiet pilnībā uzlādētu akumulatora kasetni. Pārmērīga uzlāde saīsina akumulatora kalpošanas laiku.**
3. **Uzlādējiet akumulatora kasetni istabas temperatūrā 10 °C - 40 °C. Karstai akumulatora kasetnei pirms uzlādes ļaujiet atdzist.**
4. **Kad akumulatora kasetne netiek izmantota, izņemiet to no darbarīka vai lādētāja.**
5. **Uzlādējiet litija jonu akumulatora kasetni, ja to ilgstoši nelietosiet (vairāk nekā sešus mēnešus).**

Svarīgi drošības norādījumi par bezvadu ierīci

1. **Bezvadu ierīci nedrīkst ne pārveidot, ne izjaukt.**
2. **Bezvadu ierīci glabājiet maziem bērniem nepieejamā vietā. Ja kāds cilvēks nejauši norij kādu no detaļām, nekavējoties jādodas pie ārsta.**
3. **Bezvadu ierīci lietojiet tikai kopā ar Makita darbarīkiem.**
4. **Raugiet, lai bezvadu ierīce neatrastos lietū vai mitros apstākļos.**
5. **Bezvadu ierīci nelietojiet vietās, kur temperatūra pārsniedz 50 °C.**
6. **Bezvadu ierīci nelietojiet vietās, kur tuvumā atrodas medicīnas ierīces, piemēram, sirds darbības stimulatori.**
7. **Bezvadu ierīci nelietojiet vietās, kur tuvumā atrodas automātiskas ierīces. Ja lietojat, tad automātisko ierīču darbībā var rasties traucējumi vai kļūdas.**
8. **Neizmantojiet bezvadu ierīci vietā, kur ir augsta temperatūra vai var veidoties statiskā elektrība vai elektriskais troksnis.**
9. **Bezvadu ierīce var radīt elektromagnētiskos laukus (EML), bet tie nav lietotājam kaitīgi.**
10. **Bezvadu ierīce ir precīzs instruments. Uzmanieties, lai bezvadu ierīce nenokristu un nekur neietriektos.**
11. **Bezvadu ierīces izvadam nepieskarieties ar kailām rokām vai metāliskiem materiāliem.**
12. **Kad uzstādāt bezvadu ierīci, vienmēr izņemiet darbarīka akumulatoru.**
13. **Verot vajā atveres pārsegu, izvairieties no vietas, kur atverē var iekļūt putekļi un ūdens. Atveres ieeju vienmēr turiet tīru.**
14. **Bezvadu ierīci vienmēr ievietojiet pareizajā virzienā.**
15. **Bezvadu ierīces bezvadu sistēmas aktivizēšanas pogu nespiediet pārāk stipri un/vai nespiediet pogu ar priekšmetu, kam ir asas malas.**
16. **Lietojot ierīci, vienmēr aizveriet atveres pārsegu.**
17. **Kamēr darbarīks ir pieslēgts pie strāvas, neatvienojiet bezvadu ierīci no atveres. Ja atvienojat, var rasties traucējumi bezvadu ierīces darbībā.**
18. **No bezvadu ierīces nenoplēšiet uzlīmi.**
19. **Uz bezvadu ierīces nelīmējiet nekādas uzlīmes.**

20. Neatstājiet bezvadu ierīci vietā, kur var veidoties statiskā elektrība vai elektriskais troksnis.
21. Bezvadu ierīci neatstājiet vietās, kur varētu būt liels karstums, piemēram, automobiļi, kas atstāts saulē.
22. Bezvadu ierīci neatstājiet putekļainā vai ar pulveri nokaisītā vietā vai vietā, kur var rasties kodīga gāze.
23. Pēkšņas temperatūras izmaiņas var radīt mitrumu uz ierīces. Bezvadu ierīci lietojiet tikai tad, kad mitrums pilnībā izžuvis.
24. Kad tīrāt bezvadu ierīci, uzmanīgi slaukiet to ar sausu, mīkstu drānu. Nelietojiet benzīnu, atšķaidītāju, vadītspējīgas smērvielas vai līdzīgas vielas.
25. Kad bezvadu ierīci noliekat glabāšanai, ielieciet to komplekta ietvarā vai nestatiskā konteinerā.
26. Darbarīka atverē ievietojiet tikai Makita bezvadu ierīci.
27. Neizmantojiet darbarīku, ja tā atveres pārsegs ir bojāts. Ūdens, putekļu un netīrumu iekļūšana atverē var radīt darbības traucējumus.
28. Bez nepieciešamības nevelciet un/vai negroziet atveres pārsegu. Ja pārsegs atdalās no darbarīka, piestipriniet to.
29. Ja atveres pārsegs ir pazaudēts vai bojāts, nomainiet to.

SAGLABĀJIET ŠOS NORĀDĪJUMUS.

FUNKCIJU APRAKSTS

▲UZMANĪBU: Pirms darbarīka regulēšanas vai tā darbības pārbaudes vienmēr pārlicinieties, ka darbarīks ir izslēgts un akumulatora kasetne ir izņemta.

Akumulatora kasetnes uzstādīšana un izņemšana

▲UZMANĪBU: Vienmēr pirms akumulatora kasetnes uzstādīšanas vai noņemšanas izslēdziet darbarīku.

▲UZMANĪBU: Uzstādot vai izņemot akumulatora kasetni, darbarīku un akumulatora kasetni turiet cieši. Ja darbarīku un akumulatora kasetni netur cieši, tie var izkrist no rokām un radīt bojājumus darbarīkam un akumulatora kasetnei, kā arī izraisīt ievainojumus.

Lai izņemtu akumulatora kasetni, izvelciet to no darbarīka, pārīdot kasetnes priekšpusē esošo pogu.

► **Att.1:** 1. Sarkanās krāsas indikators 2. Pogā 3. Akumulatora kasetne

Lai uzstādītu akumulatora kasetni, salāgojiet mēlīti uz akumulatora kasetnes ar rievu ietvarā un iebīdīet to vietā. Ievietojiet to līdz galam, līdz tā ar klikšķi nofiksējas. Ja pogas augšējā daļā redzams sarkanās krāsas indikators, tas nozīmē, ka tā nav pilnīgi fiksēta.

▲UZMANĪBU: Vienmēr ievietojiet akumulatora kasetni tā, lai sarkanais indikators nebūtu redzams. Pretēja gadījumā tā var nejauši izkrist no darbarīka un izraisīt jums vai apkārtējiem traumas.

▲UZMANĪBU: Neievietojiet akumulatora kasetni ar spēku. Ja kasetne neslīd ietvarā viegli, tā nav pareizi ielikta.

Atlikušās akumulatora jaudas indikators

Nospiediet akumulatora kasetnes pārbaudes pogu, lai pārbaudītu akumulatora atlikušo uzlādes līmeni. Indikatori iedegsies uz dažām sekundēm.

► **Att.2:** 1. Indikatora lampas 2. Pārbaudes poga

Indikatora lampas			Atlikušā jauda
Iededzies	Izslēgts	Mirgo	
■	□	◐	No 75% līdz 100%
■	■	□	No 50% līdz 75%
■	□	□	No 25% līdz 50%
■	□	□	No 0% līdz 25%
◐	□	□	Uzlādējiet akumulatoru.
■	■	□	Iespējama akumulatora kļūme.
□	□	■	

PIEZĪME: Reālā jauda var nedaudz atšķirties no norādītās atkarībā no lietošanas apstākļiem un apkārtējās temperatūras.

PIEZĪME: Akumulatora aizsardzības sistēmas darbības laikā mirgo pirmais (kreisais malējais) indikators.

Darbarīka/akumulatora aizsardzības sistēma

Darbarīkam ir darbarīka/akumulatora aizsardzības sistēma. Št sistēma automātiski izslēdz strāvas padevi motoram, lai pagarinātu darbarīka un akumulatora darbību. Lietošanas laikā darbarīks automātiski pārstās darboties, ja darbarīku vai akumulatoru pakļaus kādam no šādiem apstākļiem.

Aizsardzība pret pārslodzi

Ja akumulatoru lieto tā, ka tas patērē pārmērīgi lielu strāvas daudzumu, darbarīks automātiski pārstāj darboties bez jebkādas norādes. Šādā gadījumā izslēdziet darbarīku un pārtrauciet darbību, kas izraisīja darbarīka pārslodzi. Tad ieslēdziet darbarīku, lai atsāktu darbu.

Aizsardzība pret pārkaršanu

Kad darbarīks vai akumulators ir pārkaris, darbarīks automātiski pārstāj darboties. Šādā gadījumā ļaujiet darbarīkam un akumulatoram atdzist un tikai pēc tam atkal ieslēdziet darbarīku.

Aizsardzība pret akumulatora pārmērīgu izlādi

Ja akumulatora jaudas līmenis ir zems, darbarīks automātiski pārstāj darboties. Šajā gadījumā akumulatoru izņemiet no darbarīka un uzlādējiet.

Aizsardzība pret citiem cēloņiem

Aizsardzības sistēma ir paredzēta arī pret citiem cēloņiem, kas varētu radīt darbarīka bojājumus, un nodrošina automātisku darbarīka apturēšanu. Ja darbarīka darbība ir īslaicīgi apstājusies vai tas pārstājis darboties, veiciet visas tālāk norādītās darbības, lai novērstu cēloņus.

1. Izslēdziet un ieslēdziet darbarīku, lai to no jauna iedarbinātu.
2. Uzlādējiet akumulatoru(-s) vai nomainiet to(-s) ar uzlādētu(-iem) akumulatoru(-iem).
3. Ļaujiet darbarīkam un akumulatoram(-iem) atdzist.

Ja pēc aizsardzības sistēmas atjaunošanas nav uzlabojumu, sazinieties ar vietējo Makita tehniskās apkopes centru.

Slēdža darbība

Lai ieslēgtu darbarīku, nospiediet atbloķēšanas/bloķēšanas pogu. Darbarīks pārslēdzas gaidstāves režīmā. Lai ieslēgtu darbarīku, gaidstāves režīmā nospiediet barošanas pogu. Lai izslēgtu darbarīku, vēlreiz nospiediet barošanas pogu. Darbarīks pārslēdzas gaidstāves režīmā. Lai izslēgtu darbarīku, gaidstāves režīmā nospiediet atbloķēšanas/bloķēšanas pogu.

- **Att.3:** 1. Bloķēšanas/atbloķēšanas pogu
2. Ieslēgšanas/izslēgšanas pogu

PIEZĪME: Ja ar darbarīku gaidstāves režīmā 10 sekundes netiek veiktas nekādas darbības, tas automātiski izslēdzas un lampa izdziest.

PIEZĪME: Darbarīku var arī apturēt un izslēgt, darba laikā nospiežot bloķēšanas/atbloķēšanas pogu.

Priekšējās lampas ieslēgšana

UZMANĪBU: Neskatieties gaismā, neļaujiet tās avotam iespīdēt acīs.

Lai ieslēgtu lampu, nospiediet atbloķēšanas/bloķēšanas pogu. Lai izslēgtu lampu, nospiediet atbloķēšanas/bloķēšanas pogu.

IEVĒRĪBAI: Ja darbarīks ir pārkarsis, lampiņa mirgo. Pirms atsākat darbu, pilnībā atdzesējiet darbarīku.

PIEZĪME: Ar sausu lupatiņu notīriet netīrumus no lampas lēcas. Izvairieties saskrāpēt lampas lēcu, jo tādējādi tiek samazināts apgaismojums.

- **Att.4:** 1. Lampa

Ātruma regulēšanas gredzens

Darbarīka griešanās ātrumu var mainīt, griežot ātruma regulēšanas gredzenu. Tabulā tālāk norādīts katram gredzena ciparam atbilstošais griešanās ātrums.

- **Att.5:** 1. Ātruma regulēšanas gredzens

Cipars	Ātrums
1	10 000 min ⁻¹
2	15 000 min ⁻¹
3	21 000 min ⁻¹
4	26 000 min ⁻¹
5	31 000 min ⁻¹

UZMANĪBU: Nemainiet griešanās ātrumu darbarīka darbināšanas laikā. Citādi neparedzama darbarīka reakcija var izraisīt traumas.

IEVĒRĪBAI: Ja darbarīku ilgstoši darbināsiet ar mazu ātrumu, motors tiks pārslodgots, tādējādi radot darbarīka darbības traucējumus.

IEVĒRĪBAI: Ātruma regulēšanas ciparripu var griezt tikai diapazonā no 1 līdz 5. Lai nesabojātu ātruma regulēšanas funkcijas darbību, nemēģiniet ar spēku to pagriezt tālāk aiz 5 vai 1.

Elektronika

Lai atvieglotu lietošanu, darbarīks ir aprīkots ar elektroniskām funkcijām.

- Nemainīga ātruma vadība
Ātruma vadības funkcijas nodrošina nemainīgu griešanās ātrumu neatkarīgi no slodzes.
- Laidena ieslēgšana
Laidena ieslēgšana mazina iedarbināšanas triecienu, un darbarīks uzsāk darbību vienmērīgi.
- Laidenas bremzes
Izmantojot laidenas bremzes, darbarīks apstājas lēni. Laidenās bremzes novērš apstrādājamā materiāla bojājumus atsienā dēļ un ļauj ātrāk sākt nākamo darbību.
Ja darbarīks regulāri neapstādina apgriezējmašīnas uzgali uzreiz pēc slēdža izslēgšanas, nododiet darbarīku Makita apkopes centrā, lai to salabotu.

MONTĀŽA

UZMANĪBU: Pirms darbarīka regulēšanas vai apkopes vienmēr pārliecinieties, ka darbarīks ir izslēgts un akumulatora kasetne ir izņemta.

Apgriezējmašīnas uzgala uzstādīšana vai noņemšana

IEVĒRĪBAI: Nepievelciet ietvara uzgriezni, ja nav ievietots trimera uzgals, jo pretējā gadījumā ietvara konuss varētu salūzt.

Ievietojiet apgrīzējmašīnas uzgali līdz galam ietvara konusā. Nospiediet vārpstas bloķētāju un pievelciet ietvara uzgriezni ar uzgriežnatslēgu.

- **Att.6:** 1. Vārpstas bloķētājs 2. Atskrūvēt 3. Pievilkt 4. Uzgriežnatslēga 5. Ietvara uzgrieznis

Iespējams ietvara uzgriezni droši pievilkt arī ar divām uzgriežnatslēgām.

- **Att.7:** 1. Uzgriežnatslēga 2. Atskrūvēt 3. Pievilkt 4. Ietvara uzgrieznis

Lai noņemtu apgrīzējmašīnas uzgali, izpildiet iepriekš aprakstītās darbības pretējā secībā.

PIEZĪME: Vārpstas bloķētājs var neatgriezties sākotnējā pozīcijā, kad pievelkat ietvara uzgriezni apgrīzējmašīnas uzgaļa uzstādīšanas laikā. Vārpstas bloķētājs atgriežas sākotnējā pozīcijā, kad iedarbināt darbarīku.

- **Att.8:** 1. Vārpstas bloķētājs

Ietvara konusa nomaīņa

⚠UZMANĪBU: Uzstādiet trimera uzgalim, ko paredzēts izmantot, pareizā izmēra ietvara konusu.

⚠UZMANĪBU: Nepievelciet ietvara uzgriezni, ja nav ievietots trimera uzgalis, jo pretējā gadījumā ietvara konuss varētu salūzt.

1. Atskrūvējiet un noņemiet ietvara uzgriezni.
 2. Uzstādi to ietvara konusu nomainiet pret vajadzīgo ietvara konusu.
 3. Pieskrūvējiet vietā ietvara uzgriezni.
- **Att.9:** 1. Ietvara konuss 2. Ietvara uzgrieznis

Apgrīzējmašīnas pamatnes uzstādīšana vai noņemšana

1. Atveriet apgrīzējmašīnas pamatnes fiksācijas sviru un tad ievietojiet darbarīku apgrīzējmašīnas pamatnē, savietojot darbarīka rievu ar izbīdījumu apgrīzējmašīnas pamatnē.

2. Aizveriet fiksācijas sviru.

- **Att.10:** 1. Bloķēšanas svira

PIEZĪME: Attēlā tālāk parādīts, kā jūs varat izmantot papildaprīkojumu – apgrīzējmašīnas pamatni (sveķu). Kad izmantojat apgrīzējmašīnas pamatni (sveķu), neatbrīvojiet un nebloķējiet fiksācijas sviru, bet gan atskrūvējiet vai pievelciet ar roku skrūvējamo uzgriezni.

Savietojiet darbarīka zobstieni ar zobratu uz apgrīzējmašīnas pamatnes.

- **Att.11:** 1. Ar roku skrūvējams uzgrieznis 2. Zobstienis 3. Zobrats

3. Piestipriniet apgrīzējmašīnas pamatnei putekļsūcēja uzgali un tad pievelciet pirkstu skrūvi.

- **Att.12:** 1. Putekļsūcēja uzgalis 2. Spārnskrūve

- **Att.13**

Lai noņemtu pamatni, iepriekš aprakstītās darbības izpildiet pretējā secībā.

⚠UZMANĪBU: Ja darbarīku izmantojat ar apgrīzējmašīnas pamatni, vienmēr piestipriniet putekļsūcēja uzgali apgrīzējmašīnas pamatnei.

Slīpās pamatnes uzstādīšana vai noņemšana

Papildpiederums

1. Atveriet slīpās pamatnes fiksācijas sviru un tad ievietojiet darbarīku slīpajā pamatnē, savietojot darbarīka rievu ar izbīdījumu slīpajā pamatnē.

2. Aizveriet fiksācijas sviru.

- **Att.14:** 1. Bloķēšanas svira

Lai noņemtu pamatni, iepriekš aprakstītās darbības izpildiet pretējā secībā.

Nobīdes pamatnes uzstādīšana vai noņemšana

Papildpiederums

1. Piespiediet vārpstas bloķētāju un tad atskrūvējiet ietvara uzgriezni.

- **Att.15:** 1. Ietvara uzgrieznis 2. Vārpstas bloķētājs 3. Uzgriežnatslēga

2. Noņemiet ietvara uzgriezni un tad ietvara konusu.

- **Att.16:** 1. Ietvara uzgrieznis 2. Ietvara konuss

3. Uzstādiem skriemeli uz darbarīka, piespiežot vārpstas bloķētāju un ar uzgriežnatslēgu pieskrūvējot skriemeli.

- **Att.17:** 1. Uzgriežnatslēga 2. Skriemelis 3. Vārpstas bloķētājs

4. Atskrūvējiet pamatnes plāksnes skrūves un tad noņemiet pamatnes plāksni.

- **Att.18:** 1. Pamatnes plāksne

5. Atveriet nobīdes pamatnes fiksācijas sviru un tad pievienojiet nobīdes pamatni darbarīkam.

- **Att.19:** 1. Bloķēšanas svira

6. Uzlieciet siksnu uz skriemeļa, izmantojot stieni, piemēram, plakangala skrūvgriezi, manuāli griežot siksnu.

- **Att.20:** 1. Skriemelis 2. Sikсна

7. Aizveriet fiksācijas sviru.

- **Att.21:** 1. Bloķēšanas svira

8. Piestipriniet pamatnes plāksni, pievelkot skrūves.

- **Att.22:** 1. Pamatnes plāksne

9. Ievietojiet ietvara konusu un apgrīzējmašīnas uzgali nobīdes pamatnē un tad pievelciet konusa uzgriezni.

- **Att.23:** 1. Apgrīzējmašīnas uzgalis 2. Ietvara uzgrieznis 3. Ietvara konuss

10. Ievietojiet sešstūru uzgriežnatslēgu nobīdes pamatnē un tad ar uzgriežnatslēgu pievelciet konusa uzgriezni.

- **Att.24:** 1. Ietvara uzgrieznis 2. Uzgriežnatslēga 3. Sešstūru uzgriežnatslēga

Lai noņemtu pamatni, iepriekš aprakstītās darbības izpildiet pretējā secībā.

PIEZĪME: Rīkojoties, kā norādīts attēlā, siksnu uz skriemeļa var uzmontēt, arī nenoņemot pamatnes plāksni.

- **Att.25:** 1. Skriemelis 2. Sikсна

Iegremdēšanas pamatnes uzstādīšana vai noņemšana

Papildpiederums

1. Atveriet iegremdēšanas pamatnes fiksācijas sviru un tad pilnībā ievietojiet darbarīku iegremdēšanas pamatnē, savietojot darbarīka rievu ar izbīdījumu iegremdēšanas pamatnē.

2. Aizveriet fiksācijas sviru.

▶ **Att.26:** 1. Bloķēšanas svira

Lai noņemtu pamatni, iepriekš aprakstītās darbības izpildiet pretējā secībā.

Paralēlā lineāla uzstādīšana vai noņemšana no iegremdēšanas pamatnes

Papildpiederums

Ievietojiet vadotnes sliedes iegremdēšanas pamatnes caurumos un tad pievelciet spārnskrūves. Lai noņemtu lineālu, iepriekš aprakstītās darbības izpildiet pretējā secībā.

▶ **Att.27:** 1. Spārnskrūve 2. Vadotne

Putekļsūcēja uzgaļa uzstādīšana vai noņemšana no iegremdēšanas pamatnes

Ievietojiet putekļsūcēja uzgali iegremdēšanas pamatnē tā, lai putekļsūcēja uzgaļa izvirkājums savietotos ar rievu iegremdēšanas pamatnē, un tad pievelciet putekļsūcēja uzgaļa pirkstu skrūvi. Lai noņemtu uzgali, iepriekš aprakstītās darbības izpildiet pretējā secībā.

▶ **Att.28:** 1. Izvirkājums 2. Putekļsūcēja uzgali
3. Spārnskrūve

▶ **Att.29**

EKSPLUATĀCIJA

Griešanas dziļuma regulēšana

Lai noregulētu griešanas dziļumu, atveriet fiksācijas sviru un tad virziet darbarīka pamatni augšup vai lejup, griežot regulēšanas skrūvi. Pēc noregulēšanas cieši aizveriet fiksācijas aizmura sviru.

▶ **Att.30:** 1. Bloķēšanas svira 2. Regulēšanas skrūve

IEVĒRĪBAI: Ja darbarīks nav nofiksēts, kad bloķēšanas svira ir aizvērtā, pievelciet sešstūru uzgriezni un pēc tam aizveriet bloķēšanas sviru.

▶ **Att.31:** 1. Sešstūru uzgrieznis

Griešanas dziļuma regulēšana, ja izmanto iegremdēšanas pamatni

Papildpiederumi

1. Darbarīku novietojiet uz līdzenas virsmas.

2. Izvēlieties aizmura skrūvi, griežot aizmura pamatni.

▶ **Att.32:** 1. Aizmura skrūve 2. Aizmura pamatne

3. Atbrīvojiet fiksācijas uzgriezni, tad velciet uz augšu aizmura stieni, vienlaikus turot nospiestu padeves pogu.

▶ **Att.33:** 1. Aizmura stienis 2. Fiksācijas uzgrieznis
3. Strāvas padeves poga

4. Spiediet darbarīku uz leju, līdz apgriezējmašīnas uzgālis pieskaras plakanajai virsmai, tad pagrieziet fiksācijas sviru, lai nostiprinātu darbarīku.

▶ **Att.34:** 1. Fiksācijas svira 2. Apgriezējmašīnas uzgālis

5. Spiediet aizmura stieni uz leju, līdz tas saskaras ar aizmura skrūvi, vienlaikus turot nospiestu strāvas padeves pogu.

▶ **Att.35:** 1. Aizmura stienis 2. Aizmura skrūve
3. Strāvas padeves poga

6. Bīdīet dziļuma rādītāju līdz vērtībai „0”.

▶ **Att.36:** 1. Dziļuma rādītājs

7. Lai regulētu griešanas dziļumu, velciet uz augšu aizmura stieni, vienlaikus turot nospiestu strāvas padeves pogu.

▶ **Att.37:** 1. Aizmura stienis 2. Strāvas padeves poga

8. Lai griešanas dziļumu noregulētu ļoti precīzi, pagrieziet aizmura stieņa gredzenu, lai tā indikators rādītu „0”.

▶ **Att.38:** 1. Gredzens

9. Lai noregulētu vajadzīgo dziļumu, griežiet aizmura stieņa skrūvi, iegūstat tādu griešanas dziļumu, kādu vēlaties. (Dziļums mainās par 1 mm ar vienu apgrieznienu.)

▶ **Att.39:** 1. Aizmura stieņa augšdaļa

10. Pievelciet aizmura stieņa fiksācijas uzgriezni.

▶ **Att.40:** 1. Fiksācijas uzgrieznis

11. Atbrīvojiet fiksācijas sviru.

▶ **Att.41:** 1. Fiksācijas svira

Spiežot darbarīku lejup, līdz aizmura stienis saskaras ar aizmura skrūvi, iegūstat tādu griešanas dziļumu, kādu vēlaties. Iestatītājus atbrīvojiet atbilstoši procedūrai.

Darbarīka izmantošana ar apgriezējmašīnas pamatni

Novietojiet darbarīka pamatni uz apstrādājamā materiāla tā, lai apgriezējmašīnas uzgālis nepieskartos virsmai. Ieslēdziet darbarīku un nogaidiet, līdz apgriezējmašīnas uzgālis sasniedz pilnu ātrumu. Virziet darbarīku uz priekšu pa apstrādājamā materiāla virsmu. Kamēr virzāt darbarīku, turiet tā pamatni cieši klāt apstrādājamajam materiālam.

Griežot stūrus, apstrādājamā materiāla virsmai ir jābūt apgriezējmašīnas uzgaļa kreisajā pusē no padeves virziena.

▶ **Att.42**

PIEZĪME: Pirms sākat griezt īsto materiālu, ieteicams veikt izmēģinājuma iegriezumu citur. Pareizs darbarīka virzīšanas ātrums ir atkarīgs no apgriezējmašīnas uzgaļa izmēra, apstrādājamā materiāla veida un griezuma dziļuma. Ja darbarīku uz priekšu virza pārāk ātri, var pasliktināties griezuma kvalitāte vai arī rasties apgriezējmašīnas uzgaļa vai motora bojājumi. Ja darbarīku uz priekšu virza pārāk lēni, virsmu var apdedzināt vai sabojāt.

Izmantojot apgriezējmašīnas slieci, taisnā griezuma vadotni vai frēzes vadotni, tai jāatrodas padeves virziena labajā pusē. Šādi darbarīku būs vieglāk noturēt cieši klāt apstrādājamā materiāla malai.

► **Att.43:** 1. Apgriezējmašīnas uzgalis 2. Apstrādājamais materiāls 3. Taisnā griezuma vadotne

IEVĒRĪBAI: Pārmērīgi smaga frēzēšana var pārlogot motoru vai apgrūtināt darbarīka vadību, tāpēc, iegriežot rievās, frēzēšanas dziļums vienā reizē nedrīkst būt lielāks par 3 mm. Ja vēlaties rievās griezt dziļāk par 3 mm, dariet to vairākos piegājienos ar aizvien lielākiem uzgaļa dziļuma iestatījumiem.

Taisnā griezuma vadotnes lietošana

1. Pieskrūvējiet taisnā griezuma vadotni ar skrūvi un spārnuzgriezni.

► **Att.44:** 1. Skrūve 2. Spārnuzgrieznis

2. Ar spīlējuma skrūvi pieskrūvējiet taisnā griezuma vadotni pie apgriezējmašīnas pamatnes.

► **Att.45:** 1. Spīlējuma skrūve

3. Atlaidiet taisnā griezuma vadotnes spārnuzgriezni un noregulējiet attālumu starp apgriezējmašīnas uzgali un taisnā griezuma vadotni. Kad vēlamais attālums noregulēts, pievelciet spārnuzgriezni.

► **Att.46:** 1. Spārnuzgrieznis

4. Darbarīku virziet tā, lai taisnā griezuma vadotne atrastos tieši uz apstrādājamā materiāla malas.

► **Att.47**

Ja attālums (A) starp apstrādājamā materiāla malu un griešanas vietu taisnā griezuma vadotnei ir pārāk liels vai ja apstrādājamā materiāla mala nav taisna, tad taisnā griezuma vadotni izmantot nevar.

Šādā gadījumā pie apstrādājamā materiāla stingri nostipriniet taisnu dēli un izmantojiet to kā vadotni apgriezējmašīnas pamatnei. Darbarīku virziet bultīņas virzienā.

► **Att.48**

Taisnā griezuma vadotne apļveida griezumam

Apļveida griezumam salieciet taisnā griezuma vadotni, kā parādīts attēlos. Minimālais un maksimālais griežamo apļu rādiuss (attālums starp apļa centru un apgriezējmašīnas uzgaļa centru) ir šāds:

- Minimums: 70 mm
- Maksimums: 221 mm

Griežot apļus, kuru rādiuss ir no 70 mm līdz 121 mm.

► **Att.49:** 1. Centra atvere

Griežot apļus, kuru rādiuss ir no 121 mm līdz 221 mm.

► **Att.50:** 1. Centra atvere

PIEZĪME: Ar šo vadotni nav iespējams griezt apļus, kuru rādiuss ir no 172 mm līdz 186 mm.

Savietojiet taisnā griezuma vadotnes centra atveri ar izgriezāmā apļa centru. Lai nostiprinātu taisnā griezuma vadotni, centra atverē iedzeniet naglu, kuras diametrs nepārsniedz 6 mm. Darbarīku griežiet ap naglu pulkstenrādītāju kustības virzienā.

► **Att.51:** 1. Nagla 2. Centra atvere

Šablona vadotnes lietošana

Šablona vadotne ļauj atkārtoti izzāgēt vienāda gājiena figūras.

1. Atskrūvējiet pamatnes plāksnes skrūves un tad atvienojiet pamatnes plāksni no apgriezējmašīnas pamatnes.

2. Novietojiet šablona vadotni uz pamatnes un tad ar skrūvēm piestipriniet pamatnes plāksni.

► **Att.52:** 1. Pamatnes plāksne 2. Šablona vadotne

3. Novietojiet darbarīku uz šablona un pārvietojiet, šablona vadotnei slīdot gar šablona malu.

► **Att.53**

PIEZĪME: Patiesais griezuma izmērs uz apstrādājamā materiāla nedaudz atšķiras no šablona izmēra. Atšķirība ir attālums (X) starp apgriezējmašīnas uzgali un šablona vadotnes ārpusi. Attālumu (X) var aprēķināt ar šādu vienādojumu:

attālums (X) = (šablona vadotnes ārējais diametrs – apgriezējmašīnas uzgaļa diametrs) / 2

► **Att.54:** 1. Apgriezējmašīnas uzgalis 2. Šablona vadotne 3. Attālums (X) 4. Šablona vadotnes ārējais diametrs 5. Šablons 6. Apstrādājamais materiāls

Apgriezējmašīnas vadotnes lietošana

Papildpiederumi

Virzot vadotnes rullīti gar apstrādājamā materiāla malu, ar apgriezējmašīnas vadotni varēsiet izgriezt ieliektais formas, piemēram, finieri mēbelēm.

► **Att.55**

1. Atskrūvējiet spīlējuma skrūvi, uzstādiet apgriezējmašīnas vadotni uz apgriezējmašīnas pamatnes un tad pievelciet spīlējuma skrūvi.

► **Att.56:** 1. Spīlējuma skrūve

2. Atlaidiet spīlējuma skrūvi un, griežot regulēšanas skrūvi (1 mm apgriezienā), noregulējiet attālumu starp apgriezējmašīnas uzgali un apgriezējmašīnas vadotni. Kad vēlamais attālums ir noregulēts, pievelciet spīlējuma skrūvi un nofiksējiet apgriezējmašīnas vadotni.

► **Att.57:** 1. Regulēšanas skrūve 2. Spīlējuma skrūve

3. Darbarīku ar vadotnes veltnīti virziet pa apstrādājamā materiāla sānu.

► **Att.58:** 1. Apstrādājamais materiāls

2. Apgriezējmašīnas uzgalis 3. Vadotnes veltnītis

Darbarīka izmantošana ar slīpo pamatni

Slīpā pamatne ir paredzēta lamināta lokšņu malu un līdzīgu materiālu apzāģēšanai.

Slīpā pamatne ir ērta nošķelumiem. Atskrūvējiet spārnskrūves, sasveriet darbarīku vajadzīgajā leņķī un tad pievelciet spārnskrūves.

Pie apstrādājamā materiāla stingri piestipriniet taisnu dēli un izmantojiet to kā vadotni slīpajai pamatnei. Darbarīku virziet bultņiņas virzienā.

► **Att.59:** 1. Spārnskrūve

Slīpās pamatnes plāksnes izmantošana ar apgriezējmašīnas pamatni

Lai apgriezējmašīnas pamatnes plāksni izmantotu ar taisnstūra pamatnes plāksni, noņemiet pamatnes plāksni no slīpās pamatnes un piestipriniet to apgriezējmašīnas pamatnei.

► **Att.60:** 1. Slīpās pamatnes plāksne
2. Apgriezējmašīnas pamatnes plāksne

IEVĒRĪBAI: Uzstādot slīpās pamatnes plāksni, izmantojiet apgriezējmašīnas pamatnes skrūves. Slīpās pamatnes plāksnes skrūves ir tsākas nekā apgriezējmašīnas pamatnes skrūves.

Darbarīka izmantošana ar nobīdes pamatni

Nobīdes pamatne ir paredzēta lamināta lokšņu malu un līdzīgu materiālu apzāģēšanai. Nobīdes pamatne ir parocīga, strādājot šaurās vietās.

► **Att.61**

Apgriezējmašīnas pamatnes lietošana ar nobīdes pamatni un rokturi

Nobīdes pamatni var izmantot arī ar apgriezējmašīnas pamatni un roktura stiprinājumu (papildaprīkojums), lai nodrošinātu lielāku stabilitāti.

1. Atskrūvējiet nobīdes pamatnes plāksnes skrūves un tad atvienojiet nobīdes pamatnes plāksni no nobīdes pamatnes.

► **Att.62:** 1. Nobīdes pamatnes plāksne
2. Apgriezējmašīnas pamatnes plāksne

2. Ar skrūvēm pieskrūvējiet nobīdes pamatnes plāksni apgriezējmašīnas pamatnei.

3. Ar skrūvēm pieskrūvējiet roktura stiprinājumu un stieņa veida rokturi nobīdes pamatnei.

► **Att.63:** 1. Stieņa veida rokturis 2. Roktura stiprinājums

Stieņa veida roktura vietā nobīdes pamatnei varat piestiprināt apaļo rokturi, kas noņemts no iegremdēšanas pamatnes.

► **Att.64:** 1. Skrūve 2. Apaļais rokturis

Darbarīka izmantošana ar iegremdēšanas pamatni

Darba laikā vienmēr stingri ar abām rokām turiet rokturus. Apejieties ar darbarīku tāpat kā ar apgriezējmašīnas pamatni.

Taisnā griezuma vadotnes lietošana

Papildpiederumi

1. Ar spārnuzgriezni pieskrūvējiet taisnā griezuma vadotni pie turētāja. Ievietojiet vadotnes turētāju iegremdēšanas pamatnes caurumos un tad pievelciet spārnskrūves.

► **Att.65:** 1. Spārnskrūve 2. Vadotnes turētājs
3. Spārnuzgrieznis 4. Taisnā griezuma vadotne

2. Atlaidiet taisnā griezuma vadotnes spārnuzgriezni un neregulējiet attālumu starp apgriezējmašīnas uzgali un taisnā griezuma vadotni. Kad vēlamais attālums neregulēts, pievelciet spārnuzgriezni.

► **Att.66:** 1. Spārnuzgrieznis

3. Apejieties ar darbarīku tāpat kā ar apgriezējmašīnas pamatni, kurai pievienota taisnā griezuma vadotne.

► **Att.67**

Šablona vadotnes lietošana

Papildpiederumi

1. Atskrūvējiet un izņemiet pamatnes skrūves. Šablona vadotni novietojiet uz pamatnes un tad pievelciet skrūves.

► **Att.68:** 1. Skrūve 2. Šablona vadotne

2. Apejieties ar darbarīku tāpat kā ar apgriezējmašīnas pamatni, kurai pievienota šablona vadotne.

► **Att.69**

Paralēlā lineāla izmantošana

Paralēlais lineāls ir noderīgs taisniem griezumiem, veidojot nošķelumus vai rievās. Neregulējiet attālumu starp apgriezējmašīnas uzgali un paralēlo lineālu. Kad vēlamais attālums neregulēts, pievelciet spārnskrūves, lai nofiksētu paralēlo lineālu. Griešanas laikā darbarīku pārvietojiet tā, lai paralēlais lineāls atrastos tieši uz apstrādājamā materiāla malas.

► **Att.70**

Ja attālums (A) starp apstrādājamā materiāla malu un griešanas vietu paralēlajam lineālam ir pārāk liels vai ja apstrādājamā materiāla mala nav taisna, tad paralēlo lineālu izmantot nevar.

Šādā gadījumā pie apstrādājamā materiāla stingri nostipriniet taisnu dēli un izmantojiet to kā vadotni iegremdēšanas pamatnei. Darbarīku virziet bultņiņas virzienā.

► **Att.71**

Apaļā roktura maiņa uz stieņa veida rokturi

Lai iegremdēšanas pamatnei piestiprinātu apaļo rokturi, atskrūvējiet apaļā roktura skrūvi, noņemiet apaļo rokturi un tad pieskrūvējiet stieņa veida rokturi.

► **Att.72:** 1. Apaļais rokturis 2. Skrūve 3. Stieņa veida rokturis

BEZVADU SISTĒMAS AKTIVIZĒŠANAS FUNKCIJA

Iespējas, ko sniedz bezvadu sistēmas aktivizēšanas funkcija

Bezvadu sistēmas aktivizēšanas funkcija nodrošina tīru un ērtu darbību. Pieslēdzot atbilstošu putekļu sūcēju darbarīkam, putekļu sūcēju iespējams darbināt automātiski kopā ar darbarīka pārslēgšanas darbību.

► Att.73

Lai izmantotu bezvadu sistēmas aktivizēšanas funkciju, sagatavojiet ierīces.

- Bezvadu ierīci (papildu piederums)
- Putekļu sūcēju, kas atbalsta bezvadu sistēmas aktivizēšanas funkciju

Bezvadu sistēmas aktivizēšanas funkcijas iestatīšanas kopsavilkums. Plašāk par darbībām skatiet šajās sadaļās.

1. Bezvadu ierīces uzstādīšana
2. Darbarīka reģistrācija putekļu sūcējam
3. Bezvadu sistēmas aktivizēšanas funkcijas startēšana

Bezvadu ierīces uzstādīšana

Papildu piederumi

⚠UZMANĪBU: Kad uzstādāt bezvadu ierīci, darbarīku nolieciet uz līdzenas un stabilas virsmas.

IEVĒRĪBAI: Pirms bezvadu ierīces uzstādīšanas no darbarīka notīriet putekļus un netīrumus. Ja bezvadu ierīces atverē iekļūst puteklī vai netīrumi, tie var izraisīt darbības traucējumus.

IEVĒRĪBAI: Lai novērstu statiskās enerģijas radītos darbības traucējumus, pirms bezvadu ierīces pacelšanas pieskarieties statisko enerģiju izlādējošam materiālam, piemēram, darbarīka metālliskajai daļai.

IEVĒRĪBAI: Uzstādot bezvadu ierīci, vienmēr pārliecinieties, ka bezvadu ierīce ievietota pareizajā virzienā, un pārsegs ir pilnībā aizvērts.

1. Atveriet darbarīka pārsegu, kā parādīts attēlā.
► Att.74: 1. Pārsegs
2. Bezvadu ierīci pievienojiet atverei un aizveriet pārsegu. Pievienojot bezvadu ierīci, izvirzījumus savietojiet ar padziļinājuma vietām uz atveres.
► Att.75: 1. Bezvadu ierīce 2. Izvirzījums 3. Pārsegs 4. Padziļinājuma daļa

Noņemot bezvadu ierīci, pārsegu atveriet lēni. Ar āķiem pārsega aizmugurē bezvadu ierīce pacelsies līdz ar pārsega atvēršanu.

► Att.76: 1. Bezvadu ierīce 2. Āķis 3. Pārsegs

Pēc bezvadu ierīces noņemšanas glabājiet to komplekta ietvarā vai nestatiskā konteinerā.

IEVĒRĪBAI: Noņemot bezvadu ierīci, vienmēr izmantojiet āķus pārsega aizmugurē. Ja āķi nesatver bezvadu ierīci, tad pārsegu aizveriet un lēni atkal atveriet.

Darbarīka reģistrācija putekļu sūcējam

PIEZĪME: Lai reģistrētu darbarīku, nepieciešams Makita putekļu sūcējs, kas atbalsta bezvadu sistēmas aktivizēšanas funkciju.

PIEZĪME: Vispirms pabeidziet bezvadu ierīci uzstādot darbarīkam, tikai tad sāciet darbarīka reģistrāciju.

PIEZĪME: Darbarīka reģistrācijas laikā nenospiediet slēdža mēlīti un nenospiediet ieslēgšanas slēdzi uz putekļu sūcēja.

PIEZĪME: Skatiet arī putekļu sūcēja lietošanas rokasgrāmatu.

Ja putekļu sūcēju vēlaties aktivizēt reizē ar darbarīka pārslēgšanas darbību, vispirms pabeidziet darbarīka reģistrāciju.

1. Putekļu sūcējā un darbarīkā ielieciet akumulatorus.
2. Gaidstāves slēdzi uz putekļu sūcēja pārslēdziet pozīcijā „AUTO”.
► Att.77: 1. Gaidstāves slēdzis
3. Nospiediet bezvadu sistēmas aktivizēšanas pogu uz putekļu sūcēja un turiet 3 sekundes, līdz bezvadu sistēmas aktivizēšanas lampiņa mirgo zaļā krāsā. Un tad tādā pašā veidā nospiediet bezvadu sistēmas aktivizēšanas pogu uz darbarīka.
► Att.78: 1. Bezvadu sistēmas aktivizēšanas poga 2. Bezvadu sistēmas aktivizēšanas lampiņa

Ja putekļu sūcējs un darbarīks savienoti veiksmīgi, bezvadu sistēmas aktivizēšanas lampiņas 2 sekundes degs zaļā krāsā un tad sāks mirgot zilā krāsā.

PIEZĪME: Bezvadu sistēmas aktivizēšanas lampiņas zaļā krāsā beidz mirgot pēc 20 sekundēm. Kamēr uz putekļu sūcēja mirgo bezvadu sistēmas aktivizēšanas lampiņa, nospiediet bezvadu sistēmas aktivizēšanas pogu uz darbarīka. Ja bezvadu sistēmas aktivizēšanas lampiņa nemirgo zaļā krāsā, uz mirkli piespiediet un atkal paturiet nospiestu bezvadu sistēmas aktivizēšanas pogu.

PIEZĪME: Ja vienam putekļu sūcējam reģistrējat divus vai vairākus darbarīkus, tad darbarīku reģistrāciju pabeidziet secīgi.

Bezvadu sistēmas aktivizēšanas funkcijas startēšana

PIEZĪME: Vispirms pabeidziet darbarīka reģistrāciju putekļu sūcējam, tikai tad aktivizējiet bezvadu sistēmu.

PIEZĪME: Skatiet arī putekļu sūcēja lietošanas rokasgrāmatu.

Kad putekļu sūcējs būs reģistrēts darbarīkam, putekļu sūcējs automātiski darbosies kopā ar darbarīka pārslēgšanas darbību.

1. Uzstādiet bezvadu ierīci darbarīkam.
2. Putekļu sūcēja šļūteni savienojiet ar darbarīku.
► Att.79

3. Gaidstāves slēdzi uz putekļu sūcēja pārslēdziet pozīcijā „AUTO”.

► **Att.80:** 1. Gaidstāves slēdzis

4. Uz mirkli piespiediet bezvadu sistēmas aktivizēšanas pogu uz darbarīka. Bezvadu sistēmas aktivizēšanas lampiņa iemirgosies zilā krāsā.

► **Att.81:** 1. Bezvadu sistēmas aktivizēšanas poga
2. Bezvadu sistēmas aktivizēšanas lampiņa

5. Ieslēdziet darbarīku. Pārlicinieties, ka laikā, kad izmantojat darbarīku, putekļu sūcējs darbojas.

Lai apturētu putekļu sūcēja bezvadu sistēmas aktivizēšanu, nospiediet bezvadu sistēmas aktivizēšanas pogu uz darbarīka.

PIEZĪME: Bezvadu sistēmas aktivizēšanas lampiņa uz darbarīka beigs mirgot zilā krāsā, kad darbarīks bezdarbībā būs bijis 2 stundas. Šajā gadījumā gaidstāves slēdzi uz putekļu sūcēja pārslēdziet pozīcijā „AUTO” un atkal nospiediet bezvadu sistēmas aktivizēšanas pogu uz darbarīka.

PIEZĪME: Putekļu sūcējs ieslēdzas/izslēdzas ar aizkavi. Kad putekļu sūcējs konstatē darbarīka pārslēgšanas darbību, rodas laika nobīde.



PIEZĪME: Atrašanās vietas un apkārtnējo apstākļu dēļ var atšķirties bezvadu ierīces signāla uztveršanas attālums.

PIEZĪME: Kad pie viena putekļu sūcēja pieslēgti divi vai vairāki darbarīki, putekļu sūcējs var sākt darboties pat tad, ja jūs neieslēdzat darbarīku, jo bezvadu sistēmas aktivizēšanas funkciju izmanto cits lietotājs.

Bezvadu sistēmas aktivizēšanas lampiņas statusa apraksts

► **Att.82:** 1. Bezvadu sistēmas aktivizēšanas lampiņa

Bezvadu sistēmas aktivizēšanas lampiņa rāda bezvadu sistēmas aktivizēšanas funkcijas statusu. Lampiņas statusa nozīme norādīta tabulā.

Statuss	Bezvadu sistēmas aktivizēšanas lampiņa				Apraksts
	Krāsa	 Deg	 Mirgo	Ilgums	
Gaidstāve	Zila	<input checked="" type="checkbox"/>		2 stundas	Putekļu sūcēja bezvadu sistēmas aktivizēšana ir iespējama. Kad darbarīks bezdarbībā būs bijis 2 stundas, lampiņa izslēgsies automātiski.
		<input type="checkbox"/>		Kad darbarīks darbojas.	Putekļu sūcēja bezvadu sistēmas aktivizēšana ir iespējama, darbarīks darbojas.
Darbarīka reģistrācija	Zaļa	<input checked="" type="checkbox"/>		20 sekundes	Sistēma ir gatava darbarīka reģistrācijai. Tiek gaidīta putekļu sūcēja reģistrācija.
		<input type="checkbox"/>		2 sekundes	Darbarīka reģistrācija ir pabeigta. Bezvadu sistēmas aktivizēšanas lampiņa sāks mirgot zilā krāsā.
Darbarīka reģistrācijas atcelšana	Sarkana	<input checked="" type="checkbox"/>		20 sekundes	Sistēma ir gatava darbarīka reģistrācijas atcelšanai. Tiek gaidīta reģistrācijas atcelšana no putekļu sūcēja puses.
		<input type="checkbox"/>		2 sekundes	Darbarīka reģistrācijas atcelšana ir pabeigta. Bezvadu sistēmas aktivizēšanas lampiņa sāks mirgot zilā krāsā.
Cits	Sarkana	<input type="checkbox"/>		3 sekundes	Bezvadu ierīce saņem strāvu, sāk darboties bezvadu sistēmas aktivizēšanas funkcija.
	Nedeg	-		-	Putekļu sūcēja bezvadu sistēmas aktivizēšana ir apturēta.

Darbarīka reģistrācijas atcelšana putekļu sūcējam

Atceļot darbarīka reģistrāciju putekļu sūcējam, jārikojas šādi.

1. Putekļu sūcējā un darbarīkā ielieciet akumulatorus.
2. Gaidstāves slēdzi uz putekļu sūcēja pārslēdziet pozīcijā „AUTO”.

► **Att.83:** 1. Gaidstāves slēdzis

3. Nospiediet bezvadu sistēmas aktivizēšanas pogu uz putekļu sūcēja un turiet 6 sekundes. Bezvadu sistēmas aktivizēšanas lampiņa nomirgo zaļā krāsā un tad kļūst sarkana. Pēc tam tādā pašā veidā nospiediet bezvadu sistēmas aktivizēšanas pogu uz darbarīka.

► **Att.84:** 1. Bezvadu sistēmas aktivizēšanas poga
2. Bezvadu sistēmas aktivizēšanas lampiņa

Ja atcelšana notikusi veiksmīgi, bezvadu sistēmas aktivizēšanas lampiņas 2 sekundes degs sarkanā krāsā un sāks mirgot zilā krāsā.

PIEZĪME: Bezvadu sistēmas aktivizēšanas lampiņas sarkanā krāsā beidz mirgot pēc 20 sekundēm. Kamēr uz putekļu sūcēja mirgo bezvadu sistēmas aktivizēšanas lampiņa, nospiediet bezvadu sistēmas aktivizēšanas pogu uz darbarīka. Ja bezvadu sistēmas aktivizēšanas lampiņa nemirgo sarkanā krāsā, uz mirkli piespiediet un atkal paturiet nospiestu bezvadu sistēmas aktivizēšanas pogu.

Traucējummeklēšana bezvadu sistēmas aktivizēšanas funkcijai

Pirms nodošanas remontā vispirms veiciet pārbaudi pats. Ja konstatējat kļūmi, kas nav aprakstīta rokasgrāmatā, nemēģiniet darbarīku izjaukt. Dodieties uz Makita pilnvarotu apkopes centru un remontam vienmēr izmantojiet tikai Makita rezerves daļas.

Neatbilstošas darbības stāvoklis	Iespējamais iemesls (kļūme)	Risinājums
Bezvadu sistēmas aktivizēšanas lampiņa neiedegas/nemirgo.	Bezvadu ierīce darbarīkā nav uzstādīta. Bezvadu ierīce darbarīkā ir uzstādīta nepareizi.	Uzstādiet bezvadu ierīci pareizi.
	Bezvadu ierīces izvads un/vai atvere ir netīra.	Uzmanīgi noslaukiet putekļus un netīrumus no bezvadu ierīces izvada un iztīriet atveri.
	Bezvadu sistēmas aktivizēšanas poga uz darbarīka nav nospiesta.	Uz mirkli piespiediet bezvadu sistēmas aktivizēšanas pogu uz darbarīka.
	Gaidstāves slēdzis uz putekļu sūcēja nav ieslēgts pozīcijā „AUTO”.	Gaidstāves slēdzi uz putekļu sūcēja pārslēdziet pozīcijā „AUTO”.
	Nav strāvas padeves	Pieslēdziet strāvas padevi darbarīkam un putekļu sūcējam.
Neizdodas veiksmīgi pabeigt darbarīka reģistrāciju/darbarīka reģistrācijas atcelšanu.	Bezvadu ierīce darbarīkā nav uzstādīta. Bezvadu ierīce darbarīkā ir uzstādīta nepareizi.	Uzstādiet bezvadu ierīci pareizi.
	Bezvadu ierīces izvads un/vai atvere ir netīra.	Uzmanīgi noslaukiet putekļus un netīrumus no bezvadu ierīces izvada un iztīriet atveri.
	Gaidstāves slēdzis uz putekļu sūcēja nav ieslēgts pozīcijā „AUTO”.	Gaidstāves slēdzi uz putekļu sūcēja pārslēdziet pozīcijā „AUTO”.
	Nav strāvas padeves	Pieslēdziet strāvas padevi darbarīkam un putekļu sūcējam.
	Nepareiza darbība	Uz mirkli piespiediet bezvadu sistēmas aktivizēšanas pogu un atkal veiciet darbarīka reģistrācijas/atcelšanas procedūru.
	Darbarīks un putekļu sūcējs atrodas tālu viens no otra (ārpus signāla uztveršanas zonas).	Darbarīku un putekļu sūcēju novietojiet tuvāk vienu otram. Maksimālais signāla uztveršanas attālums ir apmēram 10 m, taču apstākļu ietekmē tas var atšķirties.
	Pirms darbarīka reģistrācijas/atcelšanas pabeigšanas - darbarīka slēdzis ir ieslēgts vai - ieslēgšanas poga uz putekļu sūcēja ir ieslēgta.	Uz mirkli piespiediet bezvadu sistēmas aktivizēšanas pogu un atkal veiciet darbarīka reģistrācijas/atcelšanas procedūru.
	Darbarīka reģistrācijas procedūra darbarīkam vai putekļu sūcējam nav pabeigta.	Vienlaikus veiciet darbarīka reģistrācijas procedūru gan darbarīkam, gan putekļu sūcējam.
	Radio traucējumi no citām iekārtām, kas ģenerē ļoti intensīvus radio viļņus.	Darbarīku un putekļu sūcēju neturiet tādu iekārtu tuvumā kā bezvadu tehnoloģiju (Wi-Fi) ierīces un mikroviļņu krāsnis.
	Putekļu sūcējs nedarbojas kopā ar darbarīka pārslēgšanas darbību.	Bezvadu ierīce darbarīkā nav uzstādīta. Bezvadu ierīce darbarīkā ir uzstādīta nepareizi.
Bezvadu ierīces izvads un/vai atvere ir netīra.		Uzmanīgi noslaukiet putekļus un netīrumus no bezvadu ierīces izvada un iztīriet atveri.
Bezvadu sistēmas aktivizēšanas poga uz darbarīka nav nospiesta.		Uz mirkli piespiediet bezvadu sistēmas aktivizēšanas pogu un pārliecinieties, ka bezvadu sistēmas lampiņa mirgo zilā krāsā.
Gaidstāves slēdzis uz putekļu sūcēja nav ieslēgts pozīcijā „AUTO”.		Gaidstāves slēdzi uz putekļu sūcēja pārslēdziet pozīcijā „AUTO”.
Pie putekļu sūcēja ir pieslēgti vairāk nekā 10 darbarīki.		Atkārtoti reģistrējiet darbarīku. Ja putekļu sūcējam reģistrēti vairāk nekā 10 darbarīki, automātiski tiks atslēgts visnenāk reģistrētais darbarīks.
Visu reģistrēto darbarīku iestatījumi ir izdzēsti no putekļu sūcēja.		Atkārtoti reģistrējiet darbarīku.
Nav strāvas padeves		Pieslēdziet strāvas padevi darbarīkam un putekļu sūcējam.
Darbarīks un putekļu sūcējs atrodas tālu viens no otra (ārpus signāla uztveršanas zonas).		Darbarīku un putekļu sūcēju novietojiet tuvāk vienu pie otra. Maksimālais signāla uztveršanas attālums ir apmēram 10 m, taču apstākļu ietekmē tas var atšķirties.
Radio traucējumi no citām iekārtām, kas ģenerē ļoti intensīvus radio viļņus.		Darbarīku un putekļu sūcēju neturiet tādu iekārtu tuvumā kā bezvadu tehnoloģiju (Wi-Fi) ierīces un mikroviļņu krāsnis.
Putekļu sūcējs darbojas, kamēr darbarīks nedarbojas.		Putekļu sūcēja bezvadu sistēmas aktivizēšanas funkciju saviem darbarīkiem izmanto citi lietotāji.

APKOPE

⚠ UZMANĪBU: Pirms darbarīka pārbaudes vai apkopes vienmēr pārlicinieties, ka darbarīks ir izslēgts un akumulatora kasetne ir izņemta.

IEVĒRĪBAI: Nekad neizmantojiet gazolinu, benzīnu, atšķaidītāju, spirtu vai līdzīgus šķidrumus. Tas var radīt izbalēšanu, deformāciju vai plaisas.

Lai saglabātu izstrādājuma DROŠU un UZTICAMU darbību, remontdarbus, apkopi un regulēšanu uzticiet veikt tikai Makita pilnvarotam vai rūpnīcas apkopes centram, un vienmēr izmantojiet tikai Makita rezerves daļas.

APGRIEZĒJMAŠĪNAS UZGAĻI

Papildpiederums

Taisnā griezuma uzgalis

► Att.85

D	A	L1	L2
6	20	50	15
6	6	50	18
6	8	50	18
8	8	60	25
1/4 collas	20	50	15
1/4 collas	6	50	18
1/4 collas	8	50	18

Mērvienība: mm

U formas riavu griešanas uzgalis

► Att.86

D	A	L1	L2	R
6	6	50	18	3
1/4 collas	6	50	18	3

Mērvienība: mm

V formas riavu griešanas uzgalis

► Att.87

D	A	L1	L2	θ
6	20	50	15	90°
1/4 collas	20	50	15	90°

Mērvienība: mm

Urbja smailes vienlīmeņa apgriešanas uzgalis

► Att.88

D	A	L1	L2	L3
6	6	60	18	28
8	8	60	20	35
1/4 collas	6	60	18	28

Mērvienība: mm

Urbja smailes dubultas vienlīmeņa apgriešanas uzgalis

► Att.89

D	A	L1	L2	L3	L4
6	6	70	40	12	14
8	8	80	55	20	25
1/4 collas	6	70	40	12	14

Mērvienība: mm

Stūra noapaļošanas uzgalis

► Att.90

D	A1	A2	L1	L2	L3	R
6	25	9	48	13	5	8
6	20	8	45	10	4	4
1/4 collas	25	9	48	13	5	8
1/4 collas	20	8	45	10	4	4

Mērvienība: mm

Nošķēluma uzgalis

► Att.91

D	A	L1	L2	L3	θ
6	23	46	11	6	30°
6	20	50	13	5	45°
6	20	49	14	2	60°
1/4 collas	23	46	11	6	30°
1/4 collas	20	48	13	5	45°
1/4 collas	20	49	14	2	60°

Mērvienība: mm

Iedobuma profilējuma uzgalis

► Att.92

D	A	L1	L2	R
6	20	43	8	4
6	25	48	13	8
1/4 collas	20	43	8	4
1/4 collas	25	48	13	8

Mērvienība: mm

Bezdelīgastes veida uzgalis

► Att.93

D	A	L1	L2	θ
8	12	50	9	30°
8	14,5	55	10	35°
8	14,5	55	14,5	23°
1/4 collas	12	50	9	30°
1/4 collas	14,5	55	10	35°
1/4 collas	14,5	55	14,5	23°

Mērvienība: mm

Lodišu gultņu vienlīmeņa apgriešanas uzgalis**► Att.94**

D	A	L1	L2
6	10	50	20
1/4 collas	10	50	20

Mērvienība: mm

Lodišu gultņu profilējuma uzgalis**► Att.95**

D	A1	A2	A3	L1	L2	L3	R
6	20	12	8	40	10	5,5	4
6	26	12	8	42	12	4,5	7
1/4 collas	20	12	8	40	10	5,5	4
1/4 collas	26	12	8	42	12	4,5	7

Mērvienība: mm

Lodišu gultņu stūra noapaļošanas uzgalis**► Att.96**

D	A1	A2	L1	L2	L3	R
6	15	8	37	7	3,5	3
6	21	8	40	10	3,5	6
1/4 collas	15	8	37	7	3,5	3
1/4 collas	21	8	40	10	3,5	6

Mērvienība: mm

Lodišu gultņu nošķēluma uzgalis**► Att.97**

D	A1	A2	L1	L2	θ
6	26	8	42	12	45°
6	20	8	41	11	60°
1/4 collas	26	8	42	12	45°
1/4 collas	20	8	41	11	60°

Mērvienība: mm

Lodišu gultņu iedobuma profilējuma uzgalis**► Att.98**

D	A1	A2	A3	A4	L1	L2	L3	R
6	20	18	12	8	40	10	5,5	3
6	26	22	12	8	42	12	5	5
1/4 collas	20	18	12	8	40	10	5,5	3
1/4 collas	26	22	12	8	42	12	5	5

Mērvienība: mm

Lodišu gultņu romiešu stila profilējuma uzgalis**► Att.99**

D	A1	A2	L1	L2	L3	R1	R2
6	20	8	40	10	4,5	2,5	4,5
6	26	8	42	12	4,5	3	6
1/4 collas	20	8	40	10	4,5	2,5	4,5
1/4 collas	26	8	42	12	4,5	3	6

Mērvienība: mm

PAPILDU PIEDERUMI

⚠️UZMANĪBU: Šādi piederumi un papildierīces tiek ieteiktas lietošanai ar šajā rokasgrāmatā aprakstīto Makita darbarīku. Izmantojot citus piederumus vai papildierīces, var tikt radīta trauma gūšanas bīstamība. Piederumu vai papildierīci izmantojiet tikai paredzētajam mērķim.

Ja jums vajadzīga palīdzība vai precīzāka informācija par šiem piederumiem, vērsieties savā tuvākajā Makita apkopes centrā.

- Taisnā griezuma un rievu uzgaļi
- Malu uzgaļi
- Lamināta uzgaļi
- Taisnā griezuma vadotne montējums
- Apgriezējmašīnas vadotne
- Apgriezējmašīnas pamatne
- Apgriezējmašīnas pamatne (sveķu)
- Slīpā pamatne
- Iegremdēšanas pamatne
- Nobīdes pamatne
- Roktura stiprinājums
- Šablona vadotne
- Ietvara konuss
- Uzgriezņatslēga 13
- Uzgriezņatslēga 22
- Bezvadu ierīce
- Makita oriģinālais akumulators un lādētājs

PIEŽĪME: Daži sarakstā norādītie izstrādājumi var būt iekļauti instrumenta komplektācijā kā standarta piederumi. Tie dažādās valstīs var būt atšķirīgi.

Sai apgriezējmašīnai piemērojamie piederumi

Šo darbarīku ar tālāk uzskaitītajiem piederumiem var izmantot vairākiem nolūkiem. Daži piederumi var nebūt pieejami jūsu valstī.

► Att.100

1. **Apgriezējmašīnas pamatne** (metāla)
2. **Apgriezējmašīnas pamatne** (sveķu)
Laba griezumamietas redzamība.
3. **Slīpā pamatne**
4. **Nobīdes pamatne**
5. **Iegremdēšanas pamatne**
6. **Roktura stiprinājums**
7. **Šablona vadotne**
8. **Taisnā griezumamietas vadotne**
9. **Apgriezējmašīnas vadotne**
10. **Apgriešanas sliece**
Ļauj precīzi apstrādāt malas. *Izmantojiet ar apgriezējmašīnas vadotnes daļām.
11. **Putekļsūcēja uzgalis**
12. **Pamatnes plāksne** (metāla)
13. **Taisnstūra pamatnes plāksne** (pamatnes plāksne slīpajai pamatnei)
14. **Nobīdes pamatnes plāksne** (pamatnes plāksne nobīdes pamatnei)
Izmantojot nobīdes pamata plāksni ar roktura stiprinājumu, iespējams pievienot rokturi.
15. **Pamatnes plāksne** (sveķu)
16. **Roktura pamatne**
17. **Stieņveida rokturis**
18. **Kloķa veida rokturis** (iegremdēšanas pamatnes rokturis)
19. **Putekļsūcēja uzgalis** iegremdēšanas pamatnei
20. **Šablona vadotne** iegremdēšanas pamatnei
21. **Vadotnes turētājs**
Tas ļauj ar iegremdēšanas pamatni izmantot apgriezējmašīnas pamatnes taisnā griezumamietas vadotni.
22. **Paralēlais lineāls**
Precīzas novietojuma regulēšanas funkcija.
23. **Paralēlais lineāls**
24. **Virzošās sliedes pāreja**
25. **Virzošā sliede**
Precīzai garengriešanai.
26. **Slīpuma virzītājs**
Virzošās sliedes leņķa regulēšanai.
27. **Virzošās sliedes savienotājs** (2 gab.)
Divu virzošo sliežu savienošanai.
28. **Skava** (standarta)
Virzošās sliedes fiksēšanai.
29. **Skava** (ātrā)
Virzošās sliedes fiksēšanai.
30. **Balsta virsma**
Rezerves daļas augšējās plastmasas lentes virzošajai slidei.
31. **Gumijas balsta virsma**
Rezerves daļas apakšējās gumijas lentes virzošajai slidei.
32. **Pozicionēšanas balsta virsma**
Rezerves daļas pozicionēšanas balsta virsmas virzošajai slidei.

► Att.101

SPECIFIKACIJOS

Modelis:		RT001G
Įvorės griebtuvo dydis		6 mm, 8 mm arba 1/4"
Greitis be apkrovos		10 000 - 31 000 min ⁻¹
Bendrasis aukštis	su BL4025	245 mm
	su BL4040	251 mm
Nominali įtampa		Nuolatinė 36 V – 40 V maks.
Grynasis svoris		2,2 – 2,5 kg

- Atliekame tęstinius tyrimus ir nuolatos tobuliname savo gaminius, todėl čia pateikiamos specifikacijos gali būti keičiamos be įspėjimo.
- Įvairiose šalyse specifikacijos ir akumulatoriaus kasetė gali skirtis.
- Svoris gali priklausyti nuo priedo (-ų), įskaitant akumulatoriaus kasetę. Lengviausias ir sunkiausias deriniai pagal EPTA 2014 m. sausio mėn. procedūrą yra parodyti lentelėje.

Tinkama akumulatoriaus kasetė ir (arba) įkroviklis

Akumulatoriaus kasetė	BL4020 / BL4025 / BL4040
Įkroviklis	DC40RA / DC40RB / DC40RC

- Atsižvelgiant į gyvenamosios vietos regioną, kai kurios pirmiau nurodytos akumulatoriaus kasetės ir įkrovikliai gali būti neprieinami.

⚠ JSPĖJIMAS: Naudokite tik akumulatoriaus kasetes ir įkroviklius, kurie nurodyti anksčiau. Naudojant bet kurias kitas akumulatoriaus kasetes ir įkroviklius, gali kilti sužeidimo ir gaisro pavojus.

Numatytoji naudojimo paskirtis

Šis įrankis skirtas medienai, plastmasei ir panašioms medžiagoms apdailinti ir profiluoti.

Triukšmas

Įprastas triukšmo A lygis, nustatytas pagal EN62841-2-17:

Darbo režimas: gręžimas be kalimo
Garso slėgio lygis (L_{pA}): 81 dB (A)
Garso galios lygis (L_{WA}): 92 dB (A)
Paklaida (K): 3 dB (A)

PASTABA: Paskelbta (-os) triukšmo reikšmė (-ės) nustatyta (-os) pagal standartinį testavimo metodą ir jį galima naudoti vienam įrankiui palyginti su kitu.

PASTABA: Paskelbta (-os) triukšmo reikšmė (-ės) taip pat gali būti naudojama (-os) norint preliminariai įvertinti triukšmo poveikį.

⚠ JSPĖJIMAS: Dėvėkite ausų apsaugą.

⚠ JSPĖJIMAS: Faktiškai naudojant elektrinį įrankį, keliamo triukšmo dydis gali skirtis nuo paskelbtos (-ų) reikšmės (-ių), priklausomai nuo būdų, kuriais yra naudojamas šis įrankis, ir ypač nuo to, kokio tipo ruošinys apdirbamas.

⚠ JSPĖJIMAS: Siekdami apsaugoti operatorių, būtina įvertinkite saugos priemones, remdamiesi vibracijos poveikio įvertinimu esant faktinėms naudojimo sąlygoms (atsižvelgdami į visas darbo ciklo dalis, pavyzdžiui, ne tik kiek laiko įrankis veikia, bet ir kiek kartų jis yra išjungiamas bei kai jis veikia be apkrovų).

Vibracija

Vibracijos bendroji vertė (triaušio vektorius suma) nustatyta pagal EN62841-2-17 standartą:

Darbo režimas: gręžimas be kalimo
Vibracijos emisija (a_{h1}): 2,5 m/s² arba mažiau
Paklaida (K): 1,5 m/s²

PASTABA: Paskelbta (-os) vibracijos bendroji (-osios) reikšmė (-ės) nustatyta (-os) pagal standartinį testavimo metodą ir jį galima naudoti vienam įrankiui palyginti su kitu.

PASTABA: Paskelbta (-os) vibracijos bendroji (-osios) reikšmė (-ės) taip pat gali būti naudojama (-os) norint preliminariai įvertinti vibracijos poveikį.

⚠ JSPĖJIMAS: Faktiškai naudojant elektrinį įrankį, keliamos vibracijos dydis gali skirtis nuo paskelbtos (-ų) reikšmės (-ių), priklausomai nuo būdų, kuriais yra naudojamas šis įrankis, ir ypač nuo to, kokio tipo ruošinys apdirbamas.

⚠ JSPĖJIMAS: Siekdami apsaugoti operatorių, būtina įvertinkite saugos priemones, remdamiesi vibracijos poveikio įvertinimu esant faktinėms naudojimo sąlygoms (atsižvelgdami į visas darbo ciklo dalis, pavyzdžiui, ne tik kiek laiko įrankis veikia, bet ir kiek kartų jis yra išjungiamas bei kai jis veikia be apkrovų).

EB atitikties deklaracija

Tik Europos šalims

EB atitikties deklaracija yra pridedama kaip šio instrukcijų vadovo A priedas.

SAUGOS ĮSPĖJIMAI

Bendrieji įspėjimai dirbant elektriniais įrankiais

▲ĮSPĖJIMAS: Perskaitykite visus saugos įspėjimus, instrukcijas, iliustracijas ir techninius duomenis, pateiktus kartu su šiuo elektriniu įrankiu. Nesilaikant visų toliau išvardytų instrukcijų galima patirti elektros smūgi, gali kilti gaisras ir (arba) galima sunkiai susižaloti.

Išsaugokite visus įspėjimus ir instrukcijas, kad galėtumėte jas peržiūrėti ateityje.

Terminas „elektrinis įrankis“ pateiktuose įspėjimuose reiškia į maitinimo tinklą jungiamą (laidinį) elektrinį įrankį arba akumulatoriaus maitinamą (belaidį) elektrinį įrankį.

Belaidės frezos saugos įspėjimai

1. Ruošinė ant stabilios platformos tvirtinkite spaustuvais arba kitais parankiais būdais. Jei laikysite ruošinį rankomis arba atrėmę į save, jis nebus stabilus, todėl galite prarasti jo kontrolę.
2. Laikykite elektrinį įrankį tik už izoliuotų, laikyti skirtų vietų, nes peilis gali užkliudyti paslėptus laidus. Įpjovus laidą, kuriuo teka srovė, įtampa gali būti perduota neizoliuotoms metalinėms elektrinio įrankio dalims ir operatorius gali patirti elektros šoką.
3. Naudokite tik tokią frezą, kurios vardinės apsuks yra bent jau lygios ant įrankio nurodytoms didžiausioms veikimo apsuksoms. Jei įrankis turi kintamųjų apsuokų valdymo funkciją, nustatykite įrankio apsuoką taip, kad jos nesiektų frezos apsuokų.
4. Frezos kotelis turi sutapti su numatytos įvorės griebtuvu.
5. Jei ketinate dirbti ilgai, naudokite klausos apsaugines priemones.
6. Su profiliavimo staklių frezomis elkitės labai atsargiai.
7. Prieš naudodami patikrinkite frezą, ar nėra įtrūkimų ar pažeidimų. Nedelsdami pakeiskite įtrūkusią arba pažeistą frezą.
8. Nepjaukite vinių. Prieš dirbdami apžiūrėkite ruošinį ir išimkite visas viniis.
9. Tvirtai laikykite įrankį.
10. Laikykite rankas toliau nuo sukamųjų dalių.
11. Prieš įjungdami jungiklį, patikrinkite, ar profiliavimo staklių freza neliečia ruošinio.
12. Prieš naudodami įrankį su ruošiniu, leiskite jam kurį laiką veikti be apkrovos. Stebėkite, ar nėra vibracijos arba klibėjimo, nes tai gali rodyti, kad freza įstatyta netinkamai.
13. Atkreipkite dėmesį į profiliavimo staklių frezos sukimosi kryptį ir tiekimo kryptį.
14. Nepalikite veikiančio įrankio. Naudokite įrankį tik laikydami rankomis.
15. Prieš ištraukdami įrankį iš ruošinio, būtinai išjunkite ir palaukite, kol profiliavimo staklių freza visiškai sustos.

16. Nelieskite profiliavimo staklių frezos iškart po naudojimo; jis gali būti itin karštas ir nudeginti odą.
17. Saugokitės, kad neišteptumėte pagrindo skiedikliu, benzinu, alyva ir pan. Jie gali suskaldyti pagrindą.
18. Naudokite reikiamo skersmens profiliavimo staklių frezas, tinkamas pagal įrankio greitį.
19. Kai kuriose medžiagose esama cheminių medžiagų, kurios gali būti nuodingos. Saugokitės, kad neįkvėptumėte dulkių ir nesiliestumėte oda. Laikykites medžiagų tiekėjo saugos duomenų.
20. Atsižvelgdami į apdirbamą medžiagą ir darbo pobūdį, būtinai užsidėkite kaukę nuo dulkių / respiratorių.

SAUGOKITE ŠIAS INSTRUKCIJAS.

▲ĮSPĖJIMAS: NELEISKITE, kad patogumas ir gaminio pažinimas (igyjamas pakartotinai naudojant) susilpnintų griežtą saugos taisyklių, taikytinų šiam gaminiui, laikymąsi. Dėl NETINKAMO NAUDOJIMO arba saugos taisyklių, kurios pateiktos šioje instrukcijoje, nesilaikymo galima rimtai susižeisti.

Svarbios saugos instrukcijos, taikomos akumulatoriaus kasetei

1. Prieš naudodami akumulatoriaus kasetę, perskaitykite visas instrukcijas ir perspėjimus ant (1) akumuliatorių įkroviklio, (2) akumuliatorių ir (3) akumuliatorių naudojančio gaminio.
2. Neardykite ir negadinkite akumulatoriaus kasetės. Dėl to ji gali užsidegti, per daug įkaisti arba sprogti.
3. Jei įrankio darbo laikas žymiai sutrumpėjo, nedelsdami nutraukite darbą su įrankiu. Tai gali kelti perkaitimo, nudegimų ar net sprogmio pavojų.
4. Jei elektrolitas pateko į akis, plaukite jas tyru vandeniu ir nedelsdami kreipkitės į gydytoją. Gali kilti regėjimo praradimo pavojus.
5. Neužtrumpinkite akumulatoriaus kasetės:
 - (1) Nelieskite kontaktų degiomis medžiagomis.
 - (2) Venkite laikyti akumulatoriaus kasetę kartu su kitais metaliniais daiktais, pavyzdžiui, vinimis, monetomis ir pan.
 - (3) Saugokite akumulatoriaus kasetę nuo vandens ir lietaus.Trumpasis jungimas akumuliatoriuje gali sukelti stiprią srovę, perkaitimą, galimus nudegimus ar net akumulatoriaus gedimą.
6. Nelaikykite ir nenaudokite įrankio ir akumulatoriaus kasetės vietoje, kur temperatūra gali pasiekti ar viršyti 50 °C (122 °F).
7. Nedeginkite akumulatoriaus kasetės, net jei yra stipriai pažeista ar visiškai susidėjęs. Ugnyje akumulatoriaus kasetė gali sprogti.
8. Akumulatoriaus kasetės nekalkite, nepjaustykite ir nemėtykite ir taip pat į ją netrancykite kietu daiktu. Taip elgiantis, ji gali užsidegti, per daug įkaisti arba sprogti.

9. Nenaudokite pažeisto akumuliatoriaus.
10. Įdėtoms ličio jonų akumuliatoriams taikomi Pavojingų prekių teisės akto reikalavimai. Komercinis transportas, pvz., trečiųjų šalių, prekių vežimo atstovų, turi laikytis specialaus reikalavimo ant pakuotės ir ženklavimo. Norėdami paruošti siūstantį prekę, pasitarkite su pavojingų medžiagų specialistu. Be to, laikykitės galimai išsamesnių nacionalinių reglamentų. Užklijuokite juosta arba padenkite atvirus kontaktus ir supakuokite akumuliatorių taip, kad ji pakuotėje nejudėtų.
11. Kai išmetate akumuliatoriaus kasetę, išimkite ją iš įrankio ir išmeskite saugioje vietoje. Vadovaukitės vietos reglamentais dėl akumuliatorių išmetimo.
12. Baterijas naudokite tik su „Makita“ nurodytais gaminiiais. Baterijas įdėjus į netinkamus gaminius gali kilti gaisras, gaminys pernelyg kaisti, kilti sproginimas arba pratekėti elektrolitas.
13. Jei įrankis bus ilgą laiką nenaudojamas, akumuliatorių būtina išimti iš įrankio.
14. Darbo metu ir po akumuliatoriaus kasetę gali būti įkaitusi ir dėl to nudeginti. Imdami akumuliatoriaus kasetes, būkite atsargūs.
15. Tuojau pat po naudojimo nelieskite įrankio gnybtų, nes jie gali būti įkaitę tiek, kad nudegins.
16. Nelieskite, kad į akumuliatoriaus kasetės gnybtus, angas ir griovelius patektų drožlių, dulkių ar žemių. Jos gali sukelti kaitimą, užsidegti, sprogti ir sukelti įrankio ar akumuliatoriaus kasetės gedimą, dėl ko galima nusideginti ar susižaloti.
17. Jeigu įrankis nėra pritaikytas naudoti šalia aukštos įtampos elektros linijų, akumuliatoriaus kasetės nenaudokite šalia aukštos įtampos elektros linijų. Dėl to gali sutrikti įrankio ar akumuliatoriaus kasetės veikimas arba jie gali sugesti.
18. Laikykite akumuliatorių vaikams nepasiekiamoje vietoje.

SAUGOKITE ŠIAS INSTRUKCIJAS.

▲PERSPĖJIMAS: Naudokite tik originalų „Makita“ akumuliatorių. Neoriginalaus „Makita“ arba pakeisto akumuliatoriaus naudojimas gali nulemti gaisrą, asmens sužalojimą ir pažeidimą. Tai taip pat panaikina „Makita“ suteikiamą „Makita“ įrankio ir įkroviklio garantiją.

Patarimai, ką daryti, kad akumuliatorius veiktų kuo ilgiau

1. Pakraukite akumuliatoriaus kasetę prieš jai visiškai išsikraunant. Visuomet nustokite naudoti įrankį ir pakraukite akumuliatoriaus kasetę, kai pastebite, kad įrankio galia sumažėjo.
2. Niekada nekraukite iki galo įkrautos akumuliatoriaus kasetės. Perkraunant trumpėja akumuliatoriaus eksploatacijos laikas.

3. Akumuliatoriaus kasetę kraukite esant kambario temperatūrai 10 - 40 °C. Prieš pradėdami krauti, leiskite įkaitusiai akumuliatoriaus kasetei atvėsti.
4. Kai akumuliatoriaus kasetės nenaudojate, ją išimkite iš įrankio ar įkroviklio.
5. Įkraukite akumuliatoriaus kasetę, jei jos nenaudojate ilgą laiką (ilgiau nei šešis mėnesius).

Svarbios saugumo instrukcijos dėl belaidžio bloko

1. Nearydykite ir nekeiskite belaidžio bloko.
2. Laikykite belaidį bloką vaikams nepasiekiamoje vietoje. Netyčia prarijus reikia nedelsiant kreiptis į medikus.
3. Naudokite belaidį bloką tik su „Makita“ įrankiais.
4. Saugokite belaidį bloką nuo lietaus ir nenaudokite jo esant drėgnoms oro sąlygoms.
5. Nenaudokite belaidžio bloko vietose, kur temperatūra viršija 50 °C.
6. Nenaudokite belaidžio bloko netoli medicinos instrumentų, pavyzdžiui, širdies stimuliatorių.
7. Nenaudokite belaidžio bloko netoli automatinį prietaisų. Automatiniai prietaisai gali sugesti arba gali įvykti klaida.
8. Nenaudokite belaidžio bloko ten, kur gali padidėti temperatūra arba atsirasti statinis elektros krūvis arba elektrinis triukšmas.
9. Belaidis blokas gali sukurti elektromagnetinius laukus (EML), bet jie naudotojui nekenksmingi.
10. Belaidis blokas yra tikslusis instrumentas. Saugokite belaidį bloką nuo kritimo ir smūgių.
11. Nelieskite belaidžio bloko kontakto plikomis rankomis arba metaliniais įrankiais.
12. Įdėdami belaidį bloką visada išimkite gaminio akumuliatorių.
13. Atidarydami angos dangtelį venkite vietų, kur į ją gali patekti dulkių ir vandens. Anga visada turi būti švari.
14. Belaidį bloką visada dėkite reikiama kryptimi.
15. Per smarkiai nespauskite belaidžio aktyvinimo mygtuko ant belaidžio bloko, nespauskite jo aštriu daiktu.
16. Dirbdami visada uždarykite angos dangtelį.
17. Kai įrankiui tiekiamas maitinimas, niekada neimkite belaidžio bloko iš angos. Kitaip belaidis blokas gali sugesti.
18. Nenuimkite lipduko nuo belaidžio bloko.
19. Neklijuokite jokio lipduko ant belaidžio bloko.
20. Nepalikite belaidžio bloko ten, kur gali atsirasti statinis elektros krūvis arba elektrinis triukšmas.
21. Nepalikite belaidžio bloko karštoje vietoje, pavyzdžiui, automobilyje prieš saulę.
22. Nepalikite belaidžio bloko dulkečioje ar miltuotoje vietoje arba ten, kur gali atsirasti išdinančiųjų dujų.
23. Nuo staigaus temperatūros pokyčio belaidis blokas gali aprasoti. Nenaudokite belaidžio bloko, kol rasa visiškai nenudžiūvo.

24. Norėdami nuvalyti belaidį bloką, švelniai pavalykite sausa minkšta šluoste. Nenaudokite benzino, skiediklio, laidaus tepalo ir panašių medžiagų.
25. Laikykite belaidį bloką pridėtame dėkle arba nuo statinio krūvio apsaugotoje taroje.
26. Nekiškite į įrankio angą jokių kitų prietaisų, išskyrus „Makita“ belaidį bloką.
27. Nenaudokite įrankio, kurio angos dangtelis pažeistas. Į angą patekęs vanduo, dulksės ir purvas gali jį sugadinti.
28. Netraukite ir (arba) nesukite angos dangtelio daugiau, nei reikia. Atstatykite dangtelį į vietą, jei jis nukrinta nuo įrankio.
29. Pakeiskite angos dangtelį, jei jo nėra arba jis pažeistas.

SAUGOKITE ŠIAS INSTRUKCIJAS.

VEIKIMO APRAŠYMAS

▲ PERSPĖJIMAS: Prieš pradėdami reguliuoti arba tikrinti įrankio veikimą, visuomet būtina išjungkite įrankį ir išimkite akumuliatoriaus kasetę.

Akumuliatoriaus kasetės uždėjimas ir nuėmimas

▲ PERSPĖJIMAS: Prieš įdėdami arba išimdami akumuliatoriaus kasetę, visada išjunkite įrankį.

▲ PERSPĖJIMAS: Įdėdami arba išimdami akumuliatoriaus kasetę, tvirtai laikykite įrankį ir akumuliatoriaus kasetę. Jeigu įrankį ir akumuliatoriaus kasetę laikysite netvirtai, jie gali išslysti iš jūsų rankų, todėl įrankis ir akumuliatoriaus kasetė gali būti sugadinti, o naudotojas sužalotas.

Jei norite išimti akumuliatoriaus kasetę, ištraukite ją iš įrankio, stumdami mygtuką, esantį kasetės priekyje.

- **Pav.1:** 1. Raudonas sandariklis (indikatorius)
2. Mygtukas 3. Akumuliatoriaus kasetė

Jei norite įdėti akumuliatoriaus kasetę, sulygiuokite liežuvėlį ant akumuliatoriaus kasetės su grioveliu korpuse ir įstumkite į jai skirtą vietą. Įdėkite iki galo, kol spragtelėdama užsifiksuos. Jeigu matote raudoną sandariklį (indikatorių) viršutinėje mygtuko pusėje, ji nėra visiškai užfiksuota.

▲ PERSPĖJIMAS: Akumuliatoriaus kasetę visada įkiškite iki galo, kol nebematysite raudono sandariklio (indikatoriaus) Priešingu atveju ji gali atsitiktinai iškristi iš įrankio ir sužeisti jus arba aplinkinius.

▲ PERSPĖJIMAS: Nekiškite akumuliatoriaus kasetės įgą. Jeigu kasetė sunkiai lenda, ją kišate netinkamai.

Likusios akumuliatoriaus galios rodymas

Paspauskite akumuliatoriaus kasetės tikrinimo mygtuką, kad būtų rodoma likusi akumuliatoriaus energija. Maždaug trims sekundėms užsidegs indikatorių lemputės.

- **Pav.2:** 1. Indikatorių lemputės 2. Tikrinimo mygtukas

Indikatorių lemputės			Likusi galia
Šviečia	Nešviečia	Blyksi	
			75 - 100 %
			50 - 75 %
			25 - 50 %
			0 - 25 %
			Įkraukite akumuliatorių.
			Galimai įvyko akumuliatoriaus veikimo triktis.

PASTABA: Rodmuo gali šiek tiek skirtis nuo faktinės energijos lygio – tai priklauso nuo naudojimo sąlygų ir aplinkos temperatūros.

PASTABA: Veikiant akumuliatoriaus apsaugos sistemai ims mirksėti pirmoji (toliausiai kairėje) indikatoriaus lemputė.

Įrankio / akumuliatoriaus apsaugos sistema

Įrankyje įrengta įrankio / akumuliatoriaus apsaugos sistema. Ši sistema automatiškai atjungia variklio maitinimą, kad įrankis ir akumuliatorius ilgiau veiktų. Įrankis automatiškai išsijungs darbo metu esant vienai iš toliau nurodytų įrankio arba akumuliatoriaus darbo sąlygų:

Apsauga nuo perkrovos

Akumuliatorių naudojant taip, kad susidaro neįprastai aukšta srovė, nepateikiant jokios indikacijos, įrankis automatiškai sustabdomas. Tokiu atveju išjunkite įrankį ir nutraukite darbą, dėl kurio įrankis buvo perkrautas. Tada įjunkite įrankį, kad jis būtų paleistas iš naujo.

Apsauga nuo perkaitimo

Kai įrankis arba akumuliatorius perkaista, įrankis automatiškai sustoja. Tokiu atveju, prieš vėl jungdami įrankį, leiskite įrankiui ir akumuliatoriui atvėsti.

Apsauga nuo visiško išsekimo

Kai akumuliatoriaus įkrovos lygis nepakankamas, įrankis automatiškai išsijungia. Tokiu atveju ištraukite akumuliatorių iš įrankio ir įkraukite jį.

Apsauga nuo kitų sutrikimų

Apsaugos sistema taip pat apsaugo nuo kitų sutrikimų, galinčių pažeisti įrankį, todėl automatiškai jį išjungia. Įrankiai laikinai sustojus arba veikimo metu išsijungus, imkitės visų toliau nurodytų veiksmų ir pašalinkite sutrikimo priežastis.

1. Išjunkite įrankį, tada vėl įjunkite, kad paleistumėte iš naujo.
2. Įkraukite akumuliatorių (-ius) arba jį (juos) pakeiskite įkrautu (-ais) akumuliatoriumi (-iais).
3. Palaukite, kol įrankis ir akumuliatorius (-iai) atvės.

Jei atstaučius apsaugos sistemą veikimas nepagerėja, kreipkitės į vietos „Makita“ techninės priežiūros centrą.

Jungiklio veikimas

Norėdami įjungti prietaisą, paspauskite fiksavimo jungiklį. Prietaisas pereina į laukimo režimą. Norėdami įjungti prietaisą, paspauskite įjungimo/išjungimo mygtuką prietaisui veikiant laukimo režimu. Norėdami sustabdyti prietaisą, paspauskite įjungimo/išjungimo mygtuką. Prietaisas pereina į laukimo režimą. Norėdami išjungti prietaisą, paspauskite užrakinimo/atrankinimo mygtuką prietaisui veikiant laukimo režimu.

- **Pav.3:** 1. Užfiksavimo / atlaisvinimo mygtukas
2. Įjungimo/išjungimo mygtukas

PASTABA: Jeigu prietaisui veikiant parengties režimui 10 sekundžių neatliekamas joks veiksmas, jis automatiškai išjungiamas ir lemputė užgesa.

PASTABA: Taip pat galite sustabdyti ir išjungti prietaisą paspaudę užrakinimo/atrankinimo mygtuką, kol prietaisas veikia.

Priekinės lemputės uždegimas

▲PERSPĖJIMAS: Nežiūrėkite tiesiai į šviesą arba šviesos šaltinį.

Norėdami įjungti lempą, paspauskite užfiksavimo / atlaisvinimo jungiklį. Norėdami įjungti lemputę, paspauskite užfiksavimo / atlaisvinimo jungiklį dar kartą.

PASTABA: Įrankiui perkaitus, ima mirksėti lemputė. Palaukite, kol įrankis visiškai atvės, o paskui vėl tęskite darbą.

PASTABA: Purvą nuo lemos objektyvo nuvalykite sausu skudurėliu. Būkite atsargūs, kad nesubraižytumėte lemos objektyvo, nes pablogės apšvietimas.

- **Pav.4:** 1. Lemputė

Greičio reguliavimo ratukas

Prietaiso sukimosi greitį galima keisti sukant greičio reguliavimo ratuką. Toliau pateiktoje lentelėje parodytas skaičius skalėje ir atitinkamas sukimosi greitis.

- **Pav.5:** 1. Greičio reguliavimo ratukas

Skaičius	Greitis
1	10 000 min ⁻¹
2	15 000 min ⁻¹
3	21 000 min ⁻¹
4	26 000 min ⁻¹
5	31 000 min ⁻¹

▲PERSPĖJIMAS: Darbo metu nekeiskite sukimosi greičio. Priešingu atveju dėl įrankio netikėtos reakcijos kyla pavojus susižaloti.

PASTABA: Jeigu prietaisu ilgą laiką be pertraukos dirbama nedideliu greičiu, variklis bus perkrautas ir prietaisas suges.

PASTABA: Greičio reguliavimo ratuką galima pasukti tik iki 5 ir atgal iki 1. Nemėginkite jo sukti už 5 ar 1 padėties, kadangi galite sugadinti greičio reguliavimo funkciją.

Elektroninė funkcija

Prietaise yra elektroninė funkcija paprastam naudojimui.

- Nuolatinis greičio reguliavimas
Greičio kontrolės funkcija užtikrina pastovų sukimosi greitį, nepriklausomai nuo apkrovos.
- Švelnus paleidimas
Švelnus paleidimo funkcija iki minimumo sumažina paleidimo smūgį ir leidžia sklandžiai paleisti prietaisą.
- Švelnusis stabdys
Įrankį palengva sustabdo švelnusis stabdys. Švelnusis stabdys leidžia išvengti ruošinio apgadinimo dėl atatrakos ir anksčiau pradėti kitą veiksmą.
Jei, išjungus jungiklį, įrankis vis nesustabdo frezos, pristatykite jį į „Makita“ priežiūros centrą patikrai.

SURINKIMAS

▲PERSPĖJIMAS: Prieš darydami ką nors įrankiui visada patikrinkite, ar įrenginys išjungtas, o akumuliatorių kasetė – nuimta.

Frezos peilio įdėjimas ir išėmimas

PASTABA: Neužveržkite įvorės veržlės, prieš tai neiškišę profiliavimo staklių frezos, antraip sulūš įvorės kūgis.

Iki galo įkiškite frežą į įvorės kūgį. Paspauskite ašies fiksatorių ir priveržkite įvorės veržlę veržliarakčiu.

- **Pav.6:** 1. Ašies fiksatorius 2. Atlaisvinti 3. Priveržti 4. Raktas 5. Įvorės veržlė

Įvorės veržlę saugiai priveržite naudodami du veržliarakčius.

- **Pav.7:** 1. Raktas 2. Atlaisvinti 3. Priveržti 4. Įvorės veržlė

Norėdami nuimti frežą, atlikite įrengimo procedūrą atvirkštine tvarka.

PASTABA: Veržiant įvorės veržlę frezos įrengimo vietoje, ašies fiksatorius gali negrįžti į pradinę padėtį. Ašies fiksatorius grįš į pradinę padėtį paleidus įrankį.

- **Pav.8:** 1. Ašies fiksatorius

Įvorės kūgio keitimas

⚠ PERSPĖJIMAS: Pasirinktai profiliavimo staklių frezai naudokite tinkamo dydžio įvorės kūgį.

⚠ PERSPĖJIMAS: Neužveržkite įvorės veržlės, prieš tai neįkišę profiliavimo staklių frezos, antraip sulūš įvorės kūgis.

1. Atlaisvinkite įvorės veržlę ir išimkite.
2. Pakeiskite sumontuotą įvorės kūgį norimu įvorės kūgiu.
3. Vėl uždėkite ir užveržkite įvorės veržlę.
▶ **Pav.9:** 1. Įvorės kūgis 2. Įvorės veržlė

Frezos pagrindo įdėjimas ir išėmimas

1. Atidarykite frezos pagrindo fiksavimo svirtį, tada įdėkite prietaisą į frezos pagrindą, sulygiuodami griovelį ant prietaiso su iškyša ant frezos pagrindo.
2. Uždarykite fiksavimo svirtį.
▶ **Pav.10:** 1. Fiksavimo svirtis

PASTABA: Kaip pasirinkamą priedą galite naudoti (guminį) profiliavimo staklių pagrindą, kaip parodyta paveikslėlyje. Kai naudojate (guminį) profiliavimo staklių pagrindą, atlaisvinkite arba priveržkite varžtą su rankenėle, o ne atidarykite ar uždarykite fiksavimo svirtelę.

- Sulygiuokite įrankio krumpliaustiebį su krumpliaračiu, įrengtu frezerio pagrinde.
- ▶ **Pav.11:** 1. Varžtas su rankenėle
2. Krumpliaustiebis 3. Krumpliaračis

3. Pritvirtinkite dulkių ištraukimo antgalį prie frezos pagrindo, tada užsukite sparnuotąją veržlę.
▶ **Pav.12:** 1. Dulkių ištraukimo antgalis 2. Sparnuotąją veržlę
▶ **Pav.13**

Jei norite nuimti pagrindą, atlikite uždėjimo procedūrą atvirkščia tvarka.

⚠ PERSPĖJIMAS: Naudojant prietaisą su frezos pagrindu būtina uždėti dulkių ištraukimo antgalį ant frezos pagrindo.

Pakreipiamo pagrindo įdėjimas ir nuėmimas

Pasirenkamasis priedas

1. Atidarykite pakreipiamo pagrindo fiksavimo svirtį, tada įdėkite prietaisą į pakreipiamą pagrindą, sulygiuodami griovelį ant prietaiso su iškyša ant pakreipiamo pagrindo fiksavimo svirtį, tada įdėkite prietaisą.
2. Uždarykite fiksavimo svirtį.
▶ **Pav.14:** 1. Fiksavimo svirtis

Jei norite nuimti pagrindą, atlikite uždėjimo procedūrą atvirkščia tvarka.

Slenkamo pagrindo įdėjimas ir nuėmimas

Pasirenkamasis priedas

1. Paspauskite ašies fiksatorių, tada atlaisvinkite įvorės veržlę.
▶ **Pav.15:** 1. Įvorės veržlė 2. Ašies fiksatorius
3. Raktas
2. Nuimkite įvorės veržlę ir įvorės kūgį.
▶ **Pav.16:** 1. Įvorės veržlė 2. Įvorės kūgis
3. Sumontuokite skriemulį ant įrankio, paspausdami ašies fiksatorių ir tvirtai užverždami skriemulį veržliarakčiu.
▶ **Pav.17:** 1. Raktas 2. Skriemulys 3. Ašies fiksatorius
4. Atsukite varžtus ant pagrindo plokštės ir nuimkite pagrindo plokštę.
▶ **Pav.18:** 1. Pagrindo plokštelė
5. Atidarykite slenkamojo pagrindo fiksavimo svirtelę ir prijunkite slenkamąjį pagrindą prie įrankio.
▶ **Pav.19:** 1. Fiksavimo svirtis
6. Naudodami lazdelę (pvz., plokščiąjį atsuktuvą) ir sukdami rankomis, sumontuokite diržą ant skriemulio.
▶ **Pav.20:** 1. Skriemulys 2. Diržas
7. Uždarykite fiksavimo svirtį.
▶ **Pav.21:** 1. Fiksavimo svirtis
8. Tada priveržkite pagrindo plokštę varžtais.
▶ **Pav.22:** 1. Pagrindo plokštelė
9. Įdėkite įvorės kūgį ir frezos peilį į slenkamą pagrindą ir priveržkite įvorės veržlę.
▶ **Pav.23:** 1. Frezos peilis 2. Įvorės veržlė 3. Įvorės kūgis
10. Įdėkite šešiakampį raktą į slenkamo pagrindo skylę ir priveržkite įvorės veržlę su raktu.
▶ **Pav.24:** 1. Įvorės veržlė 2. Raktas 3. Šešiakampis veržliasukas

Jei norite nuimti pagrindą, atlikite uždėjimo procedūrą atvirkščia tvarka.

PASTABA: Taip pat galite prijungti diržą prie skriemulio nemontuodami pagrindo plokštės, kaip parodyta paveikslėlyje.

- ▶ **Pav.25:** 1. Skriemulys 2. Diržas

Nuleidžiamo pagrindo įdėjimas ir nuėmimas

Pasirenkamasis priedas

1. Atidarykite nuleidžiamo pagrindo fiksavimo svirtį ir įkiškite įrankį iki galo į nuleidžiamą pagrindą, sutapindami griovelį ant įrankio su iškyša ant nuleidžiamo pagrindo.
2. Uždarykite fiksavimo svirtį.
▶ **Pav.26:** 1. Fiksavimo svirtis

Jei norite nuimti pagrindą, atlikite uždėjimo procedūrą atvirkščia tvarka.

Lygiagrečios liniuotės ant nuleidžiamo pagrindo įdėjimas ir išėmimas

Pasirenkamasis priedas

Įstatykite kreiptuvo juostas į angas, esančias nuleidžiamame pagrindo, ir užveržkite sparnuotąsias veržles. Jei norite nuimti liniuotę, atlikite uždėjimo procedūrą atvirkščia tvarka.

► **Pav.27:** 1. Sparnuotasis varžtas 2. Kreiptuvo juosta

Dulkių ištraukimo antgalio ant nuleidžiamo pagrindo įdėjimas ir išėmimas

Įdėkite dulkių ištraukimo antgalį į nuleidžiamą pagrindą taip, kad iškyša ant dulkių ištraukimo antgalio sutaptų su įpjova ant nuleidžiamo pagrindo, tada užsukite veržlę ant dulkių ištraukimo antgalio. Jei norite nuimti antgalį, atlikite uždėjimo procedūrą atvirkščia tvarka.

► **Pav.28:** 1. Iškyša 2. Dulkių ištraukimo antgalis 3. Sparnuotoji veržlė

► **Pav.29**

NAUDOJIMAS

Pjovimo gylio nustatymas

Norėdami pareguliuoti pjovimo gylį, atsukite fiksavimo svirtį ir, sukdami reguliavimo varžtą, pakreipkite prietaiso pagrindą norimu kampu aukštyn arba žemyn. Sureguliuavę tvirtai uždarykite svirtį.

► **Pav.30:** 1. Fiksavimo svirtis 2. Reguliavimo varžtas

PASTABA: Jeigu užtvirtinus fiksavimo svirtį prietaisas vis tiek neužtvirtinamas, priveržkite šešiakampę veržlę, tada užtvirtinkite fiksavimo svirtį.

► **Pav.31:** 1. Šešiakampė veržlė

Nuleidžiamo pagrindo pjovimo gylio nustatymas

Pasirenkamasis priedas

1. Padėkite prietaisą ant lygaus paviršiaus.
2. Pasirinkite stabdiklio varžtą sukdami stabdiklio pagrindą.
► **Pav.32:** 1. Stabdiklio varžtas 2. Stabdiklio pagrindas
3. Atlaisvinkite fiksuojamąją veržlę, tada patraukite aukštyn stabdiklio strypą, spausdami veikimo mygtuką.
► **Pav.33:** 1. Stabdiklio strypas 2. Fiksuojamoji veržlė 3. Veikimo mygtukas
4. Spauskite prietaisą žemyn tol, kol frezos peilio galas palies ploksčią paviršių, tada pasukite fiksavimo svirtį, norėdami įtvirtinti prietaisą.
► **Pav.34:** 1. Tvirtinimo svirtis 2. Frezos peilis
5. Nuspauskite stabdiklio strypą, spausdami veikimo mygtuką, kol jis palies stabdiklio strypą.
► **Pav.35:** 1. Stabdiklio strypas 2. Stabdiklio varžtas 3. Veikimo mygtukas

6. Pastumkite gylio žymeklį taip, kad žymelis skalėje rodytų „0“.

► **Pav.36:** 1. Gylio žymeklis

7. Sureguliuokite pjovimo gylį, traukdami stabdiklio strypą į viršų it spausdami veikimo mygtuką.

► **Pav.37:** 1. Stabdiklio strypas 2. Veikimo mygtukas

8. Norėdami tiksliai nustatyti pjovimo gylį, pasukite ratuką ant stabdiklio strypo taip, kad jis rodytų „0“.

► **Pav.38:** 1. Ratukas

9. Pasukite stabdiklio strypo galvutę, norėdami pasiekti norimą gylį. Norėdami padidinti gylį, pasukite galvutę prieš laikrodžio rodyklę. Norėdami sumažinti gylį, pasukite galvutę pagal laikrodžio rodyklę. (Gylis keičiasi po 1 mm vienam apsisukimui.)

► **Pav.39:** 1. Stabdiklio strypo galvutė

10. Priveržkite stabdiklio strypą tvirtinimo veržle.

► **Pav.40:** 1. Fiksuojamoji veržlė

11. Atleiskite fiksavimo svirtį.

► **Pav.41:** 1. Tvirtinimo svirtis

Stumdami žemyn įrankį, kol stabdiklio strypas atitiks stabdiklio sraigą, galite pasiekti pjovimo gylį, kurį sureguliate atlikdami pirmesnę procedūrą.

Prietaiso naudojimas su frezos pagrindu

Padėkite įrankio pagrindą ant ruošinio, kad freza jo neliestų. Įjunkite įrankį ir palaukite, kol freza pradės sukintis visu greičiu. Stumkite įrankį pirmyn virš ruošinio paviršiaus. Stumdami įrankį, laikykite įrankio pagrindą tame pačiame lygyje.

Pjaunant kraštą, ruošinio paviršius turi būti iš kairės frezos peilio pusės, nukreiptas stūmimo kryptimi.

► **Pav.42**

PASTABA: Prieš pjaunant patį ruošinį, rekomenduojama atlikti bandomąjį pjovimą. Tinkamas stūmimo tempas priklauso nuo frezos dydžio, ruošinio rūšies ir pjovimo gylio. Per greitai stumiant įrankį pirmyn, pjūvis gali būti prastos kokybės arba galima sugadinti frezą ar variklį. Stumiant įrankį pirmyn per lėtai, pjovimo paviršius gali būti nudegintas ir sugadintas.

Naudodami frezos trinkelę, tiesų kreipklį arba frezos kreipklį, būtinai dėkite jį dešinėje pusėje, stūmimo kryptimi. Taip jis bus sutapdintas su ruošinio šonu.

► **Pav.43:** 1. Frezos peilis 2. Ruošiny 3. Tiesusis kreiptuvas

PASTABA: Pernelyg ilgai pjaunant, variklis gali būti perkrautas arba įrankį gali būti sunku suvaldyti, todėl pjaunant griovelius pjūvio gylis neturėtų viršyti 3 mm. Jei norite pjauti gilesnius nei 3 mm griovelius, atlikite ketelą praginų, vis padidindami frezos gylio nuostatas.

Tiesiojo kreiptuvo naudojimas

1. Prie tiesiojo kreiptuvo pritvirtinkite varžtą ir sparnuotąją veržlę.

► **Pav.44:** 1. Varžtas 2. Sparnuotoji veržlė

2. Sumontuokite tiesųjį kreiptuvą ant frezos pagrindo, naudodami suveržimo varžtą.

► **Pav.45:** 1. Spaustuvo sraigtas

3. Atlaisvinkite sparnuotąją veržlę, esančią ant tiesiojo kreiptuvo, ir pareguliuokite atstumą tarp frezos ir tiesiojo kreiptuvo. Nustaťę norimą atstumą, užveržkite sparnuotąją veržlę.

► **Pav.46:** 1. Sparnuotoji veržlė

4. Pjaudami stumkite prietaisą su tiesiuoju kreiptuvu, sulygiavę jį su ruošinio kraštu.

► **Pav.47**

Jeigu atstumas (A) tarp ruošinio ir pjovimo padėties yra per didelis tiesiajam kreiptuvui, arba jeigu ruošinio kraštas netiesus, tiesiojo kreiptuvo naudoti negalima. Tokiu atveju prie ruošinio tvirtai prispauskite tiesią lentą ir naudokite ją kaip kreiptuvą, atrėmę į frezos pagrindą. Slinkite prietaisą rodyklės kryptimi.

► **Pav.48**

Tiesiojo kreiptuvo naudojimas darbui su diskiniu pjūkle

Žiedinio pjovimo darbams vykdyti surinkite tiesųjį kreiptuvą, kaip parodyta iliustracijoje. Galima atlikti toliau nurodytus minimalaus ir maksimalaus spindulio pjūvius (atstumas tarp apskritimo centro ir frezos centro).

- Minimalus: 70 mm
- Maksimalus: 221 mm

Pjaunant nuo 70 mm iki 121 mm spindulio apskritimus.

► **Pav.49:** 1. Centrinė skylė

Pjaunant nuo 121 mm iki 221 mm spindulio apskritimus.

► **Pav.50:** 1. Centrinė skylė

PASTABA: Naudojant šį kreiptuvą, negalima pjauti apskritimų, kurių spindulys yra nuo 172 mm iki 186 mm.

Sulygiuokite tiesiojo kreiptuvo centrinę skylę su pjaunamo apskritimo centru. Į centrinę skylę įkalkite mažesnio nei 6 mm skersmens vinį, kad būtų užtvirtintas tiesusis kreiptuvas. Sukite įrankį aplink vinį pagal laikrodžio rodyklę.

► **Pav.51:** 1. Vinis 2. Centrinė skylė

Lekalo kreiptuvo naudojimas

Su lekalo kreiptuvu galima pjauti pasikartojančius raštus naudojant lekalo.

1. Atsukite varžtus ant pagrindo plokštės, tada nuimkite pagrindo plokštę nuo frezos pagrindo.

2. Padėkite lekalo kreiptuvą ant pagrindo ir pritvirtinkite pagrindo plokštę užverždami varžtus.

► **Pav.52:** 1. Pagrindo plokštelė 2. Lekalo kreiptuvas

3. Nustatykite įrankį ant lekalo ir kartu su lekalo kreiptuvu slinkite išilgai lekalo šono.

► **Pav.53**

PASTABA: Tikrasis pjaunamo ruošinio dydis šiek tiek skiriasi nuo lekalo. Tarp frezos peilio ir išorinio lekalo kreiptuvo krašto palikite (X) atstumą. (X) atstumą galima apskaičiuoti pagal tokią lygtį:

(X) atstumas = (lekalo kreiptuvo išorinis skersmuo - frezos peilio skersmuo) / 2

► **Pav.54:** 1. Frezos peilis 2. Lekalo kreiptuvas 3. Atstumas (X) 4. Lekalo kreiptuvo išorinis skersmuo 5. Lekalas 6. Ruošiny

Naudojant frezos kreiptuvą

Pasirenkamasis priedas

Su frezos kreiptuvu galima atlikti lenktus baldų faneros pjūvius, stumiant kreipiamąjį ritinėlį išilgai ruošinio.

► **Pav.55**

1. Atlaisvinkite varžtą, sumontuokite frezos kreiptuvą, frezos pagrindą, o tada priveržkite varžtą.

► **Pav.56:** 1. Spaustuvo sraigtas

2. Atlaisvinkite suveržimo varžtą ir, sukdami reguliavimo varžtą (1 mm/sūkiu), pareguliuokite atstumą tarp frezos peilio ir frezos kreiptuvo. Nustaťę norimą atstumą, užveržkite suveržimo varžtą taip, kad frezos kreiptuvas nejudėtų.

► **Pav.57:** 1. Reguliavimo varžtas 2. Spaustuvo sraigtas

3. Pjaudami, stumkite prietaisą taip, kad kreiptuvo velenėlis slystų ruošinio šonu.

► **Pav.58:** 1. Ruošiny 2. Frezos peilis 3. Kreiptuvo velenėlis

Prietaiso naudojimas su slenkamu pagrindu

Pakreipiamas pagrindas yra skirtas laminato lakštų ar panašių medžiagų kraštams apdailinti.

Pakreipiamą pagrindą patogiu naudoti kampučių nupjovimui. Atsukite sparnuotuosius varžtus, palenkite prietaisą norimam kampui ir priveržkite sparnuotuosius varžtus.

Prie ruošinio tvirtai prispauskite tiesią lentą ir naudokite ją kaip kreiptuvą, atrėmę į pakreipiamą pagrindą. Slinkite prietaisą rodyklės kryptimi.

► **Pav.59:** 1. Sparnuotasis varžtas

Pakreipiamo pagrindo plokštės naudojimas su frezos pagrindu

Norėdami naudoti frezos pagrindą su kvadratine pagrindo plokšte, nuimkite pagrindo plokštę nuo pakreipiamo pagrindo ir uždėkite ant frezos pagrindo.

► **Pav.60:** 1. Pakreipiamo pagrindo plokštė 2. Frezos pagrindo plokštė

PASTABA: Įrengdami pakreipiamąją pagrindo plokštę, naudokite frezerio pagrindo sraigtus. Pakreipiamojo pagrindo sraigatai yra trumpesni nei frezerio pagrindo sraigatai.

Prietaiso naudojimas su slenkamu pagrindu

Slenkamasis pagrindas yra skirtas laminato lakštų ar panašių medžiagų kraštams apdailinti. Slenkamą pagrindą patogiu naudoti siaurose vietose.

► **Pav.61**

Frezos pagrindo naudojimas su slenkamu pagrindu ir rankena

Slenkamą pagrindą (papildoma prieda) taip pat galima naudoti kartu su frezos pagrindu ir rankenos priedu, kad įrankis būtų stabilnesnis.

1. Atlaisvinkite slenkamojo pagrindo plokštės sraigtus, tada nuimkite slenkamojo pagrindo plokštę nuo slenkamojo pagrindo.

► **Pav.62:** 1. Slenkamo pagrindo plokštė 2. Frezos pagrindo plokštė

2. Pritvirtinkite slenkamą pagrindo plokštę prie frezos pagrindo užverždami varžtus.

3. Pritvirtinkite rankenos priedą ir vamzdžio tipo rankeną ant slenkamo pagrindo užverždami varžtus.

► **Pav.63:** 1. Vamzdžio tipo rankena 2. Rankenos priedas

Rankenėlės tipo rankeną galima išimti iš nuleidžiamo pagrindo ir sumontuoti ant vamzdžio tipo rankenos slenkamo pagrindo.

► **Pav.64:** 1. Varžtas 2. Rankenėlės tipo rankena

Prietaiso naudojimas su nuleidžiamu pagrindu

Dirbdami rankenas laikykite tvirtai abiem rankomis. Naudokite prietaisą taip pat, kaip ir frezos pagrindą.

Tiesiojo kreiptuvo naudojimas

Pasirenkamasis priedas

1. Pritvirtinkite tiesųjį kreiptuvą ant kreiptuvo laikiklio priverždami sparnuotąją veržlę. Įstatykite kreiptuvo laikiklį į angas, esančias nuleidžiamame pagrinde, ir užveržkite sparnuotąsias veržles.

► **Pav.65:** 1. Sparnuotasis varžtas 2. Kreiptuvo laikiklis 3. Sparnuotoji veržlė 4. Tiesusis kreiptuvas

2. Atlaisvinkite sparnuotąją veržlę, esančią ant tiesiojo kreiptuvo, ir pareguliuokite atstumą tarp frezos ir tiesiojo kreiptuvo. Nustatę norimą atstumą, užveržkite sparnuotąją veržlę.

► **Pav.66:** 1. Sparnuotoji veržlė

3. Naudokite prietaisą taip pat, kaip ir tiesųjį kreiptuvą frezos pagrindu.

► **Pav.67**

Lekalo kreiptuvo naudojimas

Pasirenkamasis priedas

1. Atsukite varžtus ant pagrindo ir juos išimkite. Padėkite lekalo kreiptuvą ant pagrindo ir priveržkite varžtus.

► **Pav.68:** 1. Varžtas 2. Lekalo kreiptuvas

2. Naudokite prietaisą taip pat, kaip ir lekalo kreiptuvą frezos pagrindu.

► **Pav.69**

Lygiagrečios liniuotės naudojimas

Lygiagrečioji liniuotė veiksmingai naudojama tiesiems pjūviams, išpjauant išėmas arba griovelius. Nustatykite atstumą tarp frezos ir lygiagrečiosios liniuotės. Nustatę norimą atstumą, užveržkite sparnuotuosius varžtus, kad lygiagrečioji liniuotė nejudėtų. Pjaudami stumkite įrankį, priglaudę lygiagrečiąją liniuotę prie ruošinio krašto.

► **Pav.70**

Jeigu atstumas (A) tarp ruošinio šono ir pjovimo padėties yra per didelis lygiagrečia liniuotei arba jeigu ruošinio kraštas netiesus, lygiagrečios liniuotės naudoti negalima. Tokiu atveju prie ruošinio tvirtai prispauskite tiesią lentą ir naudokite ją kaip kreiptuvą, atrėmę į nuleidžiamą pagrindą. Slinkite prietaisą rodyklės kryptimi.

► **Pav.71**

Rankenėlės tipo rankenos keitimas vamzdžio tipo rankena

Norėdami sumontuoti vamzdžio tipo rankeną ant nuleidžiamo pagrindo, atlaisvinkite rankenėlės tipo rankenos varžtą, nuimkite rankenėlės tipo rankeną ir uždėkite vamzdžio tipo rankeną, ją užverždami.

► **Pav.72:** 1. Rankenėlės tipo rankena 2. Varžtas 3. Vamzdžio tipo rankena

BEL Aidžio AKTYVINIMO FUNKCIJA

Ką galima padaryti su belaidžio aktyvinimo funkcija?

Belaidžio aktyvinimo funkcija leidžia dirbti švariai ir patogiai. Pridėtą vakuuminį valymo įrenginį prijungę prie įrankio, galite automatiškai jį paleisti įjungdami įrankį.

► **Pav.73**

Norėdami naudoti belaidžio aktyvinimo funkciją, pasi-ruoškite šiuos daiktus:

- belaidį bloką (papildomas priedas);
- vakuuminį valymo įrenginį, kuris palaiko belaidžio aktyvinimo funkciją.

Toliau pateikiama belaidžio aktyvinimo funkcijos nustatymo apžvalga. Kiekvienoje dalyje rasite detalias procedūras.

1. Belaidžio bloko įdėjimas
2. Įrankio nustatymas vakuuiniame valymo įrenginyje
3. Belaidžio aktyvinimo funkcijos paleidimas

Belaidžio bloko įdėjimas

Pasirenkamas priedas

▲ PERSPĖJIMAS: Įdėdami belaidį bloką, padėkite įrankį ant stabilaus plokščio paviršiaus.

PASTABA: Prieš įdėdami belaidį bloką, nuo įrankio nuvalykite dulkes ir purvą. Patekusios į belaidžio bloko angą, dulės arba purvas gali sukelti gedimą.

PASTABA: Norėdami išvengti gedimo, kurį gali sukelti statinis elektros krūvis, prieš paimdami belaidį bloką palieskite medžiagą, per kurią išeina statinis elektros krūvis, pavyzdžiui, metalinę įrankio dalį.

PASTABA: Įdėdami belaidį bloką, visada įsitinkite, kad dedate reikiama kryptimi ir kad dangtelis iki galo uždarytas.

1. Atidarykite įrankio dangtelį, kaip parodyta paveikslėlyje.

► **Pav.74:** 1. Dangtelis

2. Įdėkite belaidį bloką į angą ir uždarykite dangtelį.

Įdėdami belaidį bloką, iškyšas sulygiuokite su angos išėmomis.

► **Pav.75:** 1. Belaidis blokas 2. Iškyša 3. Dangtelis 4. Išėma

Norėdami išimti belaidį bloką, lėtai atidarykite dangtelį. Traukiant dangtelį, jo galinėje pusėje esantys kablukai iškels belaidį bloką.

► **Pav.76:** 1. Belaidis blokas 2. Kablukai 3. Dangtelis
Išėmę belaidį bloką laikykite pridėtame dėkle arba nuo statinio krūvio apsaugotoje taroje.

PASTABA: Išimdami belaidį bloką visada naudokites galinėje dangtelio pusėje esančiais kablukais. Jei kablukai nepagauna belaidžio bloko, iki galo uždarykite dangtelį ir vėl lėtai jį atidarykite.

Įrankio nustatymas vakuuiniame valymo įrenginyje

PASTABA: Įrankiui nustatyti reikalingas „Makita“ vakuuminis valymo įrenginys, palaikantis belaidžio aktyvinimo funkciją.

PASTABA: Prieš pradėdami nustatyti įrankį, įdėkite jį belaidį bloką.

PASTABA: Nustatydami įrankį, netraukite gaiduko ir neįjunkite vakuuminio valymo įrenginio maitinimo.

PASTABA: Taip pat žr. vakuuminio valymo įrenginio naudojimo instrukciją.

Jei norite aktyvinti vakuuminį valymo įrenginį įrankio jungikliu, prieš tai nustatykite įrankį.

1. Įdėkite akumuliatorių į vakuuminį valymo įrenginį ir įrankį.

2. Vakuuminio valymo įrenginio parngties jungiklį nustatykite ties „AUTO“.

► **Pav.77:** 1. Parngties jungiklis

3. 3 sekundes spauskite belaidžio aktyvinimo mygtuką ant vakuuminio valymo įrenginio, kol belaidžio aktyvinimo lemputė ims mirksėti žaliai. Tada tokiu pat būdu paspauskite belaidžio aktyvinimo mygtuką ant įrankio.

► **Pav.78:** 1. Belaidžio aktyvinimo mygtukas
2. Belaidžio aktyvinimo lemputė

Jei vakuuminis valymo įrenginys ir įrankis sėkmingai susieti, belaidžio aktyvinimo lemputės 2 sekundes švies žaliai ir ims mirksėti mėlynai.

PASTABA: Belaidžio aktyvinimo lemputės nustoja mirksėti žaliai po 20 sekundžių. Kai mirksi valymo įrenginio belaidžio aktyvinimo lemputė, paspauskite belaidžio aktyvinimo mygtuką ant įrankio. Jei belaidžio aktyvinimo lemputė nemirksi žaliai, trumpai paspauskite belaidžio aktyvinimo mygtuką ir vėl palaikykite jį nuspaudę.

PASTABA: Jei norite nustatyti du ar daugiau įrankių viename vakuuiniame valymo įrenginyje, nustatykite juos po vieną.

Belaidžio aktyvinimo funkcijos paleidimas

PASTABA: Prieš belaidį aktyvinimą nustatykite įrankį vakuuiniame valymo įrenginyje.

PASTABA: Taip pat žr. vakuuminio valymo įrenginio naudojimo instrukciją.

Nustačius įrankį vakuuiniame valymo įrenginyje, jis automatiškai įsijungs įjungus įrankį.

1. Įdėkite belaidį bloką į įrankį.

2. Sujunkite vakuuminio valymo įrenginio žarną su įrankiu.

► **Pav.79**

3. Vakuuminio valymo įrenginio parngties jungiklį nustatykite ties „AUTO“.

► **Pav.80:** 1. Parngties jungiklis

4. Trumpai paspauskite belaidžio aktyvinimo mygtuką ant įrankio. Belaidžio aktyvinimo lemputė mirksės mėlynai.

► **Pav.81:** 1. Belaidžio aktyvinimo mygtukas
2. Belaidžio aktyvinimo lemputė

5. Įjunkite įrankį. Patikrinkite, ar su įrankiu kartu veikia ir vakuuminis valymo įrenginys.

Norėdami sustabdyti belaidį vakuuminio valymo įrenginio aktyvinimą, paspauskite belaidžio aktyvinimo mygtuką ant įrankio.

PASTABA: Nenaudojant 2 valandas, belaidžio aktyvinimo lemputė ant įrankio nustos mirksėti mėlynai. Šiuo atveju parngties jungiklį ant vakuuminio valymo įrenginio nustatykite ties „AUTO“ ir vėl paspauskite belaidžio aktyvinimo mygtuką ant įrankio.

PASTABA: Vakuuminis valymo įrenginys ima veikti ir sustoja šiek tiek uždelsęs. Praeina šiek tiek laiko, kol vakuuminis valymo įrenginys nustato, kad buvo panaudotas įrankio jungiklis.










PASTABA: Belaidžio bloko perdavimo atstumas gali skirtis priklausomai nuo vietos ir aplinkybių.

PASTABA: Kai viename vakuuiniame valymo įrenginyje užregistruoti du ar daugiau įrankių, vakuuminis valymo įrenginys gali imti veikti net ir neįjungus įrankio, nes kitas naudotojas naudoja belaidžio aktyvavimo funkciją.

Belaidžio aktyvinimo lemputės būsenos aprašymas

► Pav.82: 1. Belaidžio aktyvinimo lemputė

Belaidžio aktyvinimo lemputė rodo belaidžio aktyvinimo funkcijos būseną. Lemputės būsenos reikšmės pateiktos tolesnėje lentelėje.

Būsena	Belaidžio aktyvinimo lemputė				Aprašymas
	Spalva	 Šviečia	 Mirksi	Trukmė	
Parengtis	Mėlyna			2 valandos	Galimas belaidis vakuuminio valymo įrenginio aktyvinimas. Nenaudojant 2 valandas lemputė automatiškai užges.
				Kai įrankis yra naudojamas.	Galimas belaidis vakuuminio valymo įrenginio aktyvinimas ir įrankis yra naudojamas.
Įrankio nustatymas	Žalia			20 sekundžių	Pasirengęs nustatyti įrankį. Laukiama, kol įrankis bus nustatytas vakuuminiame valymo įrenginyje.
				2 sekundės	Įrankis nustatytas. Belaidžio aktyvinimo lemputė ims mirksėti mėlynai.
Įrankio nustatymo atšaukimas	Raudona			20 sekundžių	Pasiruošęs atšaukti įrankio nustatymą. Laukiama, kol įrankio nustatymas bus atšauktas vakuuminiame valymo įrenginyje.
				2 sekundės	Įrankio nustatymas atšauktas. Belaidžio aktyvinimo lemputė ims mirksėti mėlynai.
Kita	Raudona			3 sekundės	Belaidis blokas yra maitinamas ir ima veikti belaidžio aktyvinimo funkcija.
	Nešviečia	-		-	Belaidis vakuuminio valymo įrenginio aktyvinimas sustabdytas.

Įrankio nustatymo vakuuminiame valymo įrenginyje atšaukimas

Norėdami atšaukti įrankio nustatymą vakuuminiame valymo įrenginyje, atlikite šią procedūrą.

1. Įdėkite akumuliatorius į vakuuminį valymo įrenginį ir įrankį.

2. Vakuuminio valymo įrenginio parengties jungiklį nustatykite ties „AUTO“.

► Pav.83: 1. Parengties jungiklis

3. 6 sekundes spauskite belaidžio aktyvinimo mygtuką ant vakuuminio valymo įrenginio. Belaidžio aktyvinimo lemputė mirksi žaliai ir tampa raudona. Paskui tokiu pat būdu paspauskite belaidžio aktyvinimo mygtuką ant įrankio.

► Pav.84: 1. Belaidžio aktyvinimo mygtukas
2. Belaidžio aktyvinimo lemputė

Jei atšaukti pavyko, belaidžio aktyvinimo lemputės 2 sekundes švies raudonai ir ims mirksėti mėlynai.

PASTABA: Belaidžio aktyvinimo lemputės nustoja mirksėti raudonai po 20 sekundžių. Kai mirksi valymo įrenginio belaidžio aktyvinimo lemputė, paspauskite belaidžio aktyvinimo mygtuką ant įrankio. Jei belaidžio aktyvinimo lemputė nemirksi raudonai, trumpai paspauskite belaidžio aktyvinimo mygtuką ir vėl palaikykite jį nuspaudę.

Belaidžio aktyvinimo funkcijos trikčių šalinimas

Prieš kreipdamiesi dėl remonto darbų, pirmiausia patikrinkite gedimus patys. Kilus problemų, apie kurias nepaaiškinta vartotojo vadove, nemėginkite ardyti įrankio. Kreipkitės į įgaliotuosius „Makita“ techninės priežiūros centrus, kuriuose remontui visuomet naudojamos originalios „Makita“ keičiamosios dalys.

Neįprasta būklė	Tikėtina priežastis (triktis)	Ištaisomoji priemonė
Belaidžio aktyvinimo lemputė nešviečia arba nemirksi.	Belaidis blokas neįdėtas į įrankį. Belaidis blokas netinkamai įdėtas į įrankį.	Taisyklingai įdėkite belaidį bloką.
	Belaidžio bloko kontaktas ir (arba) anga yra purvini.	Švelniai nuvalykite dulkes ir purvą nuo belaidžio bloko kontakto ir išvalykite angą.
	Belaidžio aktyvinimo mygtukas ant įrankio nebuvo paspaustas.	Trumpai paspauskite belaidžio aktyvinimo mygtuką ant įrankio.
	Vakuuminio valymo įrenginio parengties jungiklis nenustatytas ties „AUTO“.	Vakuuminio valymo įrenginio parengties jungiklį nustatykite ties „AUTO“.
	Nėra maitinimo	Prijunkite įrankio ir vakuuminio valymo įrenginio maitinimą.
Nepavyksta nustatyti įrankio / atšaukti jo nustatymo.	Belaidis blokas neįdėtas į įrankį. Belaidis blokas netinkamai įdėtas į įrankį.	Taisyklingai įdėkite belaidį bloką.
	Belaidžio bloko kontaktas ir (arba) anga yra purvini.	Švelniai nuvalykite dulkes ir purvą nuo belaidžio bloko kontakto ir išvalykite angą.
	Vakuuminio valymo įrenginio parengties jungiklis nenustatytas ties „AUTO“.	Vakuuminio valymo įrenginio parengties jungiklį nustatykite ties „AUTO“.
	Nėra maitinimo	Prijunkite įrankio ir vakuuminio valymo įrenginio maitinimą.
	Netinkamai atlikta procedūra	Trumpai paspauskite belaidžio aktyvinimo mygtuką ir iš naujo atlikite įrankio nustatymo / atšaukimo procedūras.
	Įrankis ir vakuuminis valymo įrenginys yra toli vienas nuo kito (už perdavimo diapazono ribų).	Padėkite įrankį ir vakuuminį valymo įrenginį arčiau vienas kito. Didžiausias perdavimo atstumas yra maždaug 10 m, bet jis gali skirtis pagal aplinkybes.
	Prieš baigiant įrankio registravimą / atšaukimą: - įjungiamas įrankio jungiklis arba - paspaudžiamas vakuuminio valymo įrenginio maitinimo mygtukas.	Trumpai paspauskite belaidžio aktyvinimo mygtuką ir iš naujo atlikite įrankio nustatymo / atšaukimo procedūras.
	Neatliktos įrankio nustatymo procedūros įrankyje arba vakuuminiame valymo įrenginyje.	Tuo pačiu metu atlikite įrankio nustatymo procedūras įrankyje ir vakuuminiame valymo įrenginyje.
Vakuuminis valymo įrenginys neveikia jungus įrankio jungiklį.	Belaidis blokas neįdėtas į įrankį. Belaidis blokas netinkamai įdėtas į įrankį.	Taisyklingai įdėkite belaidį bloką.
	Belaidžio bloko kontaktas ir (arba) anga yra purvini.	Švelniai nuvalykite dulkes ir purvą nuo belaidžio bloko kontakto ir išvalykite angą.
	Belaidžio aktyvinimo mygtukas ant įrankio nebuvo paspaustas.	Trumpai paspauskite belaidžio aktyvinimo mygtuką ir patikrinkite, ar belaidžio aktyvinimo lemputė mirksi mėlynai.
	Vakuuminio valymo įrenginio parengties jungiklis nenustatytas ties „AUTO“.	Vakuuminio valymo įrenginio parengties jungiklį nustatykite ties „AUTO“.
	Vakuuminiam valymo įrenginyje yra nustatyta daugiau kaip 10 įrankių.	Iš naujo nustatykite įrankį. Jei vakuuminiame valymo įrenginyje nustatyta daugiau kaip 10 įrankių, anksčiausiai nustatytas įrankis bus automatiškai atšauktas.
	Vakuuminis valymo įrenginys ištrynė visus įrankių nustatymus.	Iš naujo nustatykite įrankį.
	Nėra maitinimo	Prijunkite įrankio ir vakuuminio valymo įrenginio maitinimą.
	Įrankis ir vakuuminis valymo įrenginys yra toli vienas nuo kito (už perdavimo diapazono ribų).	Padėkite įrankį ir vakuuminį valymo įrenginį arčiau vienas kito. Didžiausias perdavimo atstumas yra maždaug 10 m, bet jis gali skirtis pagal aplinkybes.
	Kitų prietaisų, generuojančių didelio intensyvumo radijo bangas, keliami radijo bangų trikdžiai.	Patraukite įrankį ir vakuuminį valymo įrenginį toliau nuo tokių prietaisų kaip belaidžio ryšio įrenginiai ir mikrobangų krosnelės.
	Vakuuminis valymo įrenginys veikia įrankiui neveikiant.	Kiti naudotojai naudoja belaidį vakuuminio valymo įrenginio aktyvinimą su savo įrankiais.

TECHNINĖ PRIEŽIŪRA

⚠ PERSPĖJIMAS: Visuomet įsitikinkite, ar įrankis yra išjungtas ir akumuliatoriaus kasetė yra nuimta prieš atlikdami apžiūrą ir priežiūrą.

PASTABA: Niekada nenaudokite gazolino, benzino, tirpiklio, spirito arba panašių medžiagų. Gali atsirasti išblukimų, deformacijų arba įtrūkimų.

Kad gaminyb būtų SAUGUS ir PATIKIMAS, jį taisyti, apžiūrėti ar vykdyti bet kokią kitą priežiūrą ar derinimą turi įgaliotasis kompanijos „Makita“ techninės priežiūros centras; reikia naudoti tik kompanijos „Makita“ pagamintas atsargines dalis.

FREZOS

Pasirinktinis priedas

Tiesioji freza

► Pav.85

D	A	L1	L2
6	20	50	15
6	6	50	18
6	8	50	18
8	8	60	25
1/4 col.	20	50	15
1/4 col.	6	50	18
1/4 col.	8	50	18

Vienetas:mm

U griovelių freza

► Pav.86

D	A	L1	L2	R
6	6	50	18	3
1/4 col.	6	50	18	3

Vienetas:mm

V griovelių freza

► Pav.87

D	A	L1	L2	θ
6	20	50	15	90°
1/4 col.	20	50	15	90°

Vienetas:mm

Gražtas-profiliavimo freza

► Pav.88

D	A	L1	L2	L3
6	6	60	18	28
8	8	60	20	35
1/4 col.	6	60	18	28

Vienetas:mm

Gražtas-dvigubo profiliavimo freza

► Pav.89

D	A	L1	L2	L3	L4
6	6	70	40	12	14
8	8	80	55	20	25
1/4 col.	6	70	40	12	14

Vienetas:mm

Kampų apvalinimo freza

► Pav.90

D	A1	A2	L1	L2	L3	R
6	25	9	48	13	5	8
6	20	8	45	10	4	4
1/4 col.	25	9	48	13	5	8
1/4 col.	20	8	45	10	4	4

Vienetas:mm

Briaunų nuskvelbimo freza

► Pav.91

D	A	L1	L2	L3	θ
6	23	46	11	6	30°
6	20	50	13	5	45°
6	20	49	14	2	60°
1/4 col.	23	46	11	6	30°
1/4 col.	20	48	13	5	45°
1/4 col.	20	49	14	2	60°

Vienetas:mm

Skiauto ornamento pjovimo freza

► Pav.92

D	A	L1	L2	R
6	20	43	8	4
6	25	48	13	8
1/4 col.	20	43	8	4
1/4 col.	25	48	13	8

Vienetas:mm

Trapezinio dygio freza

► Pav.93

D	A	L1	L2	θ
8	12	50	9	30°
8	14,5	55	10	35°
8	14,5	55	14,5	23°
1/4 col.	12	50	9	30°
1/4 col.	14,5	55	10	35°
1/4 col.	14,5	55	14,5	23°

Vienetas:mm

Guolinė profiliavimo freza**► Pav.94**

D	A	L1	L2
6	10	50	20
1/4 col.	10	50	20

Vienetas:mm

Guolinė ornamentų pjovimo freza**► Pav.95**

D	A1	A2	A3	L1	L2	L3	R
6	20	12	8	40	10	5,5	4
6	26	12	8	42	12	4,5	7
1/4 col.	20	12	8	40	10	5,5	4
1/4 col.	26	12	8	42	12	4,5	7

Vienetas:mm

Guolinė kampų apvalinimo freza**► Pav.96**

D	A1	A2	L1	L2	L3	R
6	15	8	37	7	3,5	3
6	21	8	40	10	3,5	6
1/4 col.	15	8	37	7	3,5	3
1/4 col.	21	8	40	10	3,5	6

Vienetas:mm

Guolinė briaunų nuskvelbimo freza**► Pav.97**

D	A1	A2	L1	L2	θ
6	26	8	42	12	45°
6	20	8	41	11	60°
1/4 col.	26	8	42	12	45°
1/4 col.	20	8	41	11	60°

Vienetas:mm

Guolinė skliauto ornamento pjovimo freza**► Pav.98**

D	A1	A2	A3	A4	L1	L2	L3	R
6	20	18	12	8	40	10	5,5	3
6	26	22	12	8	42	12	5	5
1/4 col.	20	18	12	8	40	10	5,5	3
1/4 col.	26	22	12	8	42	12	5	5

Vienetas:mm

Guolinė romėniškos „S“ pavidalo kreivės freza**► Pav.99**

D	A1	A2	L1	L2	L3	R1	R2
6	20	8	40	10	4,5	2,5	4,5
6	26	8	42	12	4,5	3	6
1/4 col.	20	8	40	10	4,5	2,5	4,5
1/4 col.	26	8	42	12	4,5	3	6

Vienetas:mm

PASIRENKAMI PRIEDAI

▲ PERSPĖJIMAS: Šiuos papildomus priedus arba įtaisus rekomenduojama naudoti su šioje instrukcijoje nurodytu „Makita“ bendrovės įrankiu. Naudojant bet kokius kitus papildomus priedus arba įtaisus, gali kilti pavojus sužeisti žmones. Naudokite tik nurodytam tikslui skirtus papildomus priedus arba įtaisus.

Jeigu norite daugiau sužinoti apie tuos priedus, kreipkitės į artimiausią „Makita“ techninės priežiūros centrą.

- Tiesių pjūvių ir griovelių formavimo peiliai
- Kraštų formavimo peiliai
- Frezos peiliai iš valcuoto metalo
- Tiesiojo kreiptuvo komplektas
- Frezos kreiptuvo komplektas
- Frezos pagrindo komplektas
- Profiliavimo staklių pagrindo komplektas (guminis)
- Pakreipiamo pagrindo komplektas
- Nuleidžiamo pagrindo komplektas
- Slenkamo pagrindo komplektas
- Rankenos priedas
- Lekalo kreiptuvas
- Įvorės kūgis
- Veržliaraktis 13
- Veržliaraktis 22
- Belaidis blokas
- Originalus „Makita“ akumulatorius ir įkroviklis

PASTABA: Kai kurie sąrašė esantys priedai gali būti pateikti įrankio pakuotėje kaip standartiniai priedai. Jie įvairiose šalyse gali skirtis.

Šiam frezeriui tinkami priedai

Jrankį kartu su toliau nurodytais priedais galima naudoti įvairioms užduotims atlikti.

Kai kurie priedai jūsų valstybėje gali būti nesiūlomi.

► Pav.100

1. **Frezerio pagrindas** (metalinis)
2. **Frezerio pagrindas** (guminis)
Aiškiai matomas pjūvis.
3. **Pakreipiamasis pagrindas**
4. **Slenkamasis pagrindas**
5. **Nuleidžiamasis pagrindas**
6. **Rankenos priedas**
7. **Lekalo kreiptuvas**
8. **Tiesusis kreiptuvas**
9. **Frezerio kreiptuvas**
10. **Frezerio padas**
Leidžia tiksliai dirbti ties kraštais. *Naudokite su frezerio kreiptuvo dalimis.
11. **Dulkių ištraukimo antgalis**
12. **Pagrindo plokštė** (metalinė)
13. **Kvadratinė pagrindo plokštė** (pakreipiamojo pagrindo plokštė)
14. **Slenkamojo pagrindo plokštė**
Naudojant slenkamojo pagrindo plokštę su rankenos priedu, galima prijungti rankeną.
15. **Pagrindo plokštė** (guminė)
16. **Rankenos pagrindas**
17. **Vamzdžio tipo rankena**
18. **Rankenėlės tipo rankena** (nuleidžiamojo pagrindo rankena)
19. **Dulkių ištraukimo antgalis** nuleidžiamajam pagrindui
20. **Lekalo kreiptuvas** nuleidžiamajam pagrindui
21. **Kreiptuvo laikiklis**
Leidžia ant nuleidžiamojo pagrindo naudoti tiesųjį frezerio pagrindo kreiptuvą.
22. **Lygiagrečioji liniuotė**
Tiksliojo padėties reguliavimo funkcija.
23. **Lygiagrečioji liniuotė**
24. **Kreipiamosios juostos adapteris**
25. **Kreipiamoji juosta**
Tiksliam pjovimui tiesiai.
26. **Pjovimo įstrižai kreiptuvas**
Kreipiamosios juostos kampui nustatyti.
27. **Kreipiamosios juostos jungtis** (2 vnt.)
Dviem kreipiamosioms juostoms sujungti.
28. **Veržiklis** (standartinis)
Kreipiamajai juostai pritvirtinti.
29. **Veržiklis** (spartusis)
Kreipiamajai juostai pritvirtinti.
30. **Lizdas**
Kreipiamosios juostos dalys viršutinei plastikinei juostelei remontuoti.
31. **Guminis lizdas**
Kreipiamosios juostos dalys apatinei guminei juostelei remontuoti.
32. **Padėties nustatymo lizdas**
Kreipiamosios juostos dalys padėties nustatymo lizdai remontuoti.

► Pav.101

TEHNILISED ANDMED

Mudel:		RT001G
Tsangpadruni suurus		6 mm, 8 mm või 1/4"
Koormuseta kiirus		10 000 - 31 000 min ⁻¹
Üldkõrgus	BL4025	245 mm
	BL4040	251 mm
Nimipinge		Alalisvool 36 V – 40 V max
Netokaal		2,2 - 2,5 kg

- Meie pideva uuringu- ja arendusprogrammi tõttu võidakse tehnilisi andmeid muuta ilma sellest ette teatamata.
- Tehnilised andmed ja akukassett võivad riigiti erineda.
- Kaal võib erineda olenevalt lisaseadistest, kaasa arvatud akukassetist. Kergeim ja raskeim kombinatsioon EPTA-protseduuri 01/2014 kohaselt on toodud tabelis.

Sobiv akukassett ja laadija

Akukassett	BL4020 / BL4025 / BL4040
Laadija	DC40RA / DC40RB / DC40RC

- Mõned eespool loetletud akukassetid ja -laadijad ei pruugi olla teie riigis saadaval.

⚠ HOIATUS: Kasutage ainult ülalpool loetletud akukasse ja laadureid. Muude akukassetide ja laadurite kasutamine võib tekitada vigastusi ja/või tulekahju.

Kavandatud kasutus

Tööriist on ettenähtud puidu, plasti ja teiste samaste materjalide servamiseks ja profileerimiseks.

Müra

Tüüpiline A-korrigeeritud müratase, määratud standardi EN62841-2-17 kohaselt:

Töörežiim: pöörlemine ilma koormuseta

Heli rõhuhata (L_{pA}): 81 dB (A)

Heli võimsuse tase (L_{WA}): 92 dB (A)

Määramatus (K): 3 dB (A)

MÄRKUS: Deklareeritud müra väärtust (väärtuseid) on mõõdetud kooskõlas standardse katsemeetodiga ning seda võib kasutada ühe seadme võrdlemiseks teisega.

MÄRKUS: Deklareeritud müra väärtust (väärtuseid) võib kasutada ka mürataseme esmaseks hindamiseks.

⚠ HOIATUS: Kasutage kõrvakaitsmeid.

⚠ HOIATUS: Müratase võib elektritööriista tegelikkuses kasutamise ajal erineda deklareeritud väärtus(t)est olenevalt tööriista kasutusviisidest ja eriti töödeldavast toorikust.

⚠ HOIATUS: Rakendage operatori kaitsmiseks kindlasti piisavaid ohutusabinõusid, mis põhinevad hinnangulisel müratasemel tegelikus tööolukorras (võttes arvesse tööperioodi kõiki osasid, näiteks korrad, kui seade lülitatakse välja ja seade töötab tühikäigul, lisaks tööajale).

Vibratsioon

Vibratsiooni koguväärtus (kolmeteljeliste vektorite summa) määratud standardi EN62841-2-17 kohaselt: Töörežiim: pöörlemine ilma koormuseta
Vibratsiooniheide (a_h): 2,5 m/s² või vähem
Määramatus (K): 1,5 m/s²

MÄRKUS: Deklareeritud vibratsiooni koguväärtust (-väärtuseid) on mõõdetud kooskõlas standardse katsemeetodiga ning seda võib kasutada ühe seadme võrdlemiseks teisega.

MÄRKUS: Deklareeritud vibratsiooni koguväärtust (-väärtuseid) võib kasutada ka mürataseme esmaseks hindamiseks.

⚠ HOIATUS: Vibratsioonitase võib elektritööriista tegelikkuses kasutamise ajal erineda deklareeritud väärtus(t)est olenevalt tööriista kasutusviisidest ja eriti töödeldavast toorikust.

⚠ HOIATUS: Rakendage operatori kaitsmiseks kindlasti piisavaid ohutusabinõusid, mis põhinevad hinnangulisel müratasemel tegelikus tööolukorras (võttes arvesse tööperioodi kõiki osasid, näiteks korrad, kui seade lülitatakse välja ja seade töötab tühikäigul, lisaks tööajale).

EÜ vastavusdeklaratsioon

AINULT EUROOPA RIIKIDE PÜHUL

EÜ vastavusdeklaratsioon sisaldub käesoleva juhendi Lisas A.

OHUTUSHOIATUSED

Üldised elektritööriistade ohutushoiatused

⚠HOIATUS: Lugege läbi kõik selle elektritööriistaga kaasas olevad ohutushoiatused, juhised, joonised ja tehnilised andmed. Järgnevate juhiste eiramine võib põhjustada elektrilöögi, süttimise ja/või raske kehavigastuse.

Hoidke edaspidisteks viideteks alles kõik hoiatused ja juhtnöörid.

Hoiatuses kasutatud termini „elektritööriist“ all peetakse silmas elektriga töötavaid (juhtmega) elektritööriistu või akuga töötavaid (juhtmeta) elektritööriistu.

Akuga servamismasin ohutusnõuded

1. Kasutage detaili kinnitamiseks ja stabiilsele alusele toetamiseks klambreid või mõnda muud sobivat viisi. Töödeldava detaili hoidmisel käega või selle toetamisel vastu keha on detail ebastabiilses asendis ja detaili üle võib kaduda kontroll.
2. Hoidke elektritööriista ainult isoleeritud haardepindadest, sest löikur võib sattuda kokkupuutesse varjatud juhtmetega. Voolu all oleva juhtmega kokku puutuv löiketera võib pingestada elektritööriista metallosi ja põhjustada kasutajale elektrilöögi.
3. Kasutage ainult servamismasina otsakut, mille nimikiirus on vähemalt sama suur kui tööriistale märgitud suurim kiirus. Kui tööriistal on muudetava kiiruse juhtimise funktsioon, seadke tööriista kiirus alla servamisotsaku nimikiiruse.
4. Servamismasina otsaku vars peab sobima ettenähtud tsangpadruniga.
5. Pikema tööperioodi kestel kandke kuulmiskaitsevahendeid.
6. Käsitsege servamismasina otsakuid väga ettevaatlikult.
7. Enne kasutamist kontrollige hoolikalt, et servamismasina otsakul poleks mõrasid ega kahjustusi. Vahetage mõranenud või kahjustunud servamisotsak kohe välja.
8. Vältige naeltesse sisselõikamist. Enne toimingute tegemist kontrollige töödeldavat detaili ja eemaldage sellest kõik naelad.
9. Hoidke tööriistast kindlalt kinni.
10. Hoidke käed pöörlevatest osadest eemal.
11. Veenduge, et servamisotsak ei puudutaks töödeldavat detaili enne tööriista sisselülitamist.
12. Enne tööriista kasutamist päris toorikul laske sellel veidi aega töötada. Jälgige vibratsiooni või vibamist, mis võib viidata valesti paigaldatud otsakule.
13. Olge tähelepanelik servamisotsaku pöörlemis- ja etteandesuuna suhtes.
14. Ärge jätke tööriista käima. Käivitage tööriist ainult siis, kui hoiate seda käes.

15. Enne tööriista eemaldamist töödeldavast detailist lülitage tööriist alati vooluvõrgust välja ja oodake, kuni servamisotsak on täielikult seiskunud.
16. Ärge puudutage servamisotsakut vahetult pärast toimingute lõpetamist; see võib olla väga kuum ja põhjustada põletushaavu.
17. Ärge määrige alust hoolimatult lahusti, bensiini, õli või muu sarnasega. Need võivad põhjustada aluse pragunemise.
18. Kasutage õige saba läbimõõduga servamisotsakuid, mis vastavad tööriista kiirusele.
19. Mõned materjalid võivad sisaldada mürgiseid aineid. Võtke meetmed tolmu sissehingamise ja nahaga kokkupuute vältimiseks. Järgige materjali tarnija ohutusteavet.
20. Kasutage alati õiget tolumaski/respiraatorit, mis vastab materjalile ja rakendusele, millega töötate.

HOIDKE JUHEND ALLES.

⚠HOIATUS: ÄRGE UNUSTAGE järgida toote ohutusnõudeid mugavuse või toote (korduskasutamiseks saavutatud) hea tundmise tõttu. VALE KASUTUS või kasutusjuhendi ohutuseeskirjade eiramine võib põhjustada tervisekahjustusi.

Akukassetiga seotud olulised ohutusjuhised

1. Enne akukasseti kasutamist lugege (1) akulaadimise, (2) akul ja (3) seadmel olevad juhtnöörid ja hoiatused läbi.
2. Ärge võtke akukassetti lahti ega muutke seda. See võib põhjustada tulekahju, liigset kuumust või plahvatust.
3. Kui tööaeg järsult lüheneb, siis lõpetage kohe kasutamine. Edasise kasutamise tulemuseks võib olla ülekuumenemisoht, võimalikud põletused või isegi plahvatus.
4. Kui elektrilüüti satub silma, siis loputage silma puhta veega ja pöörduge koheselt arsti poole. Selline õnnetus võib põhjustada pimedaksjäämist.
5. Ärge tekitage akukassetis lühist:
 - (1) Ärge puutuge klemme elektrijuhtidega.
 - (2) Ärge hoidke akukassetti tööriistakassis koos metall-esemetega, nagu naelad, mündid jne.
 - (3) Ärge tehke akukassetti märjaks ega jätke seda vihma kätte.Aku lühis võib põhjustada tugevat elektrivoolu, ülekuumenemist, põletusi ning ka seadet tõsiselt kahjustada.
6. Ärge hoidke ega kasutage tööriista ja akukassetti kohtades, kus temperatuur võib tõusta üle 50 °C (122 °F).
7. Ärge põletage akukassetti isegi siis, kui see on saanud tõsiselt vigastada või on täiesti kuluunud. Akukassett võib tules plahvatada.
8. Ärge naelutage, lõigake, muljuge, visake akukassetti ega laske sel kukkuda, samuti ärge lööge selle pihta kõva esemega. Selline tegevus võib põhjustada tulekahju, liigset kuumust või plahvatust.

9. Ärge kasutage kahjustatud akut.
10. Sisalduvatele liitium-ioonakudele võivad kohalduda ohtlike kaupade õigusaktide nõuded. Kaubanduslikul transportimisel, näiteks kolmandate poolte või transpordiettevõtete poolt, tuleb järgida pakendil ja siltidel toodud erinõudeid. Transportimiseks ettevalmistamisel on vajalik pidada nõu ohtliku materjali eksperdigaga. Samuti tuleb järgida võimalike riiklike regulatsioonide üksikasjalikumaid nõudeid. Katke teibiga või varjake avatud kontaktid ja pakendage aku selliselt, et see ei saaks pakendis liikuda.
11. Kasutuskõlmatuks muutunud akukasetti kõrvaldamiseks eemaldage see tööriistast ja viige selleks ette nähtud kohta. Järgige kasutuskõlmatuks muutunud aku kõrvaldamisel kohalikke eeskirju.
12. Kasutage akusid ainult Makita heaks kiidetud toodetega. Akude paigaldamine selleks mitte ettenähtud toodetele võib põhjustada süttimist, ülemääraast kuumust, plahvatamist või elektrolüüdi lekkimist.
13. Kui tööriista ei kasutata pika ajaperioodi jooksul, tuleb aku tööriistast eemaldada.
14. Kasutamise ajal ja pärast kasutamist võib akukasett kuumeneda, mis võib põhjustada põletusi või madala temperatuuri põletusi. Olge kuuma akukasetti kandmisel ettevaatlik.
15. Ärge puudutage tööriista klemmi kohe pärast kasutamist, sest see võib olla kuum ja põhjustada põletusi.
16. Hoidke akukasetti klemmid, avad ja sooned tükikestest, tolmust ja mullast puhtad. See võib põhjustada tööriista või aku ülekuumenemist, süttimist, purunemist ja talitlushäireid, mis võib lõppeda põletuste või kehavigastustega.
17. Kui tööriist ei kannata kasutamist kõrgepingeliinide lähedal, ärge kasutage akukasetti kõrgepingeliinide lähedal. Muidu võib tööriist või akukasett puruneda või sellel tõrge tekkida.
18. Hoidke akut lastele kättesaamatult.

HOIDKE JUHEND ALLES.

⚠ETTEVAATUST: Kasutage ainult Makita originaalakusid. Mitte Makita originaalakude või muudetud akude kasutamine võib põhjustada akude süttimise, kehavigastuse ja kahjustuse. Samuti muudab see kehtetuks Makita tööriista ja laadija Makita garantii.

Vihjeid aku maksimaalse kasutusaja tagamise kohta

1. Laadige akukasetti enne selle täielikku tühjenemist. Kui märkate, et tööriist töötab väiksema võimsusega, peatage töö ja laadige akukasetti.
2. Ärge laadige täielikult laetud akukasetti. Ülelaadimine lühendab akude kasutusiga.
3. Laadige akukasetti toatemperatuuril 10 °C - 40 °C. Enne laadimist laske kuumenenud akukasetti maha juhtuda.
4. Kui te ei kasuta parajasti akukasetti, eemaldage see tööriistast või laadurist.
5. Kui te ei kasuta akukasetti kauem kui kuus kuud, laadige see.

Juhtmeta seadmega seotud olulised ohutusjuhised

1. Ärge võtke juhtmeta seadet lahti ega muutke seda omavoliiselt.
2. Hoidke juhtmeta seadet lastele kättesaamatus kohas. Kogemata allaneelamise korral pöörduge kohe arsti poole.
3. Kasutage juhtmeta seadet ainult koos Makita tööriistadega.
4. Ärge jätke juhtmeta seadet vihma kätte ega märja keskkonda.
5. Ärge kasutage juhtmeta seadet kohtades, kus temperatuur on üle 50 °C.
6. Ärge kasutage juhtmeta seadet kohtades, kus leidub meditsiinilisi seadmeid, nagu südamestimulaatorid.
7. Ärge kasutage juhtmeta seadet kohtades, kus leidub automatiseeritud seadmeid. Muidu võib automatiseeritud seadmetel esineda talitlushäireid või need võivad minna rikki.
8. Ärge töötage juhtmeta seadmega kohtades, kus on kõrge temperatuur ja kus võib esineda staatilist elektrit või elektrilist müra.
9. Juhtmeta seadmed võivad tekitada elektromagnetvälju (EMV), mis ei ole kasutajale kahjulikud.
10. Juhtmeta seade on täppiseade. Olge ettevaatlik, ärge laske juhtmevabal seadmel maha kukkuda ja vältige lööke.
11. Ärge puudutage juhtmeta seadme klemmi paljaste käte või metalliesemetega.
12. Juhtmeta seadme tööriista sisse paigaldamisel eemaldage tootest alati aku.
13. Ärge avage pesa katet kohas, kus tolm või vesi võivad pesasse sattuda. Hoidke pesa siselaskeava alati puhtana.
14. Sisestage juhtmeta seade alati õiges suunas.
15. Ärge vajutage juhtmeta seadme juhtmeta aktiveerimise nupule liiga tugevalt ja/või ärge tehke seda teravate servadega esemega.
16. Sulgege pesa kaas alati pärast kasutamist.
17. Ärge eemaldage juhtmeta seadet pesast ajal, kui tööriista varustatakse toitega. Selle juhise järgimata jätmine võib tekitada juhtmeta seadme talitlushäireid.
18. Ärge eemaldage juhtmevabalt seadmet kleebit.
19. Ärge pange juhtmevabale seadmele mingeid kleebiseid.
20. Ärge jätke juhtmeta seadet kohta, kus võib esineda staatilist elektrit või elektrilist müra.
21. Ärge jätke juhtmeta seadet kohta, kus on väga kuum, nt päikese kätte seisvasse autosse.
22. Ärge jätke juhtmeta seadet tolmusesse või pulbrilisse kohta või kohta, kus võib esineda söövitavaid gaase.
23. Äkiline temperatuuri muutumine võib tekitada juhtmeta seadme pinnale niiskuskihhi. Ärge kasutage juhtmeta seadet enne, kui kogunenud niiskust on täielikult ära kuivanud.

24. Juhtmeta seadme puhastamisel pühkige seda õrnalt pehme lapiga. Ärge kasutage bensiini, lahusteid, juhtivaid aineid vms.
25. Juhtmeta seadme hoistamisel hoidke seda komplekti kuuluvas karbis või staatikavabas konteineris.
26. Ärge sisestage tööriista pesasse muid seadmeid kui Makita juhtmeta seade.
27. Ärge kasutage tööriista, kui pesa kaas on kahjustunud. Pessa sattuvad vesi, tolm või mustus võivad põhjustada talitushäireid.
28. Ärge tõmmake ega väänake pesa katet rohkem kui vajalik. Kui tööriistalt tuleb kaas ära, siis pange see oma kohale tagasi.
29. Asendage pesa kaas, kui see on läinud kaduma või kahjustunud.

HOIDKE JUHEND ALLES.

FUNKTSIONAALNE KIRJELDUS

⚠ETTEVAATUST: Kandke alati hoolt selle eest, et tööriist oleks enne reguleerimist ja kontrollimist välja lülitatud ja akukassett eemaldatud.

Akukasseti paigaldamine või eemaldamine

⚠ETTEVAATUST: Lülitage tööriist alati enne akukasseti paigaldamist või eemaldamist välja.

⚠ETTEVAATUST: Akukasseti paigaldamisel või eemaldamisel tuleb tööriista ja akukassetti kindlalt paigal hoida. Kui tööriista ja akukassetti ei hoita kindlalt paigal, võivad need käest libiseda ning kahjustada tööriista ja akukassetti või põhjustada kehavigastusi.

Akukasseti eemaldamiseks libistage see tööriista küljest lahti, vajutades kasseti esiküljel paiknevat nuppu alla.

► **Joon.1:** 1. Punane näidik 2. Nupp 3. Akukassett

Akukasseti paigaldamiseks joondage akukasseti keel korpuse soonega ja libistage kassett oma kohale. Paigaldage akuadapter alati nii kaugele, et see lukustuks klõpsatusega oma kohale. Kui näete nupu ülaosas punast osa, pole kassett täielikult lukustunud.








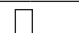








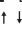

⚠ETTEVAATUST: Paigaldage akukassett alati täies ulatuses nii, et punast osa ei jääks näha. Muidu võib adapter juhuselikt tööriistast välja kukkuda ning põhjustada teile või läheduses viibivatele isikutele vigastusi.

⚠ETTEVAATUST: Ärge rakendage akukasseti paigaldamisel jõudu. Kui kassett ei lähe kergesti sisse, pole see õigesti paigaldatud.

Aku jäämahutavuse näit

Akukasseti järelejäänud mahutavuse kontrollimiseks vajutage kontrollimise nuppu. Märgulambid süttivad mõneks sekundiks.

► **Joon.2:** 1. Märgulambid 2. Kontrollimise nupp

Märgulambid			Jäämahutavus
 Poleb	 Ei pole	 Vilgub	
			75 - 100%
			50 - 75%
			25 - 50%
			0 - 25%
			Laadige akut.
			Akul võib olla tõrge.
			

MÄRKUS: Näidatud mahutavus võib veidi erineda tegelikust mahutavusest olenevalt kasutustingimustest ja ümbritseva keskkonna temperatuurist.

MÄRKUS: Esimene (taga vasakul asuv) märgutuli vilgub, kui akukaitsesüsteem töötab.

Tööriista/aku kaitsesüsteem

Tööriist on varustatud tööriista või aku kaitsesüsteemiga. Süsteem lülitab mootori automaatselt välja, et pikendada tööriista ja aku tööiga. Tööriist seiskub käitamise ajal automaatselt, kui tööriista või aku kohta kehtib üks järgmistest tingimustest.

Ülekoormuskaitse

Kui akut kasutatakse viisil, mis nõuab akut tavatult palju voolu, seiskub tööriist ilma mingi näiduta. Sellises olukorras lülitage tööriist välja ja lõpetage tegevus, mis põhjustas tööriista ülekoormuse. Seejärel lülitage tööriist taaskäivitamiseks uuesti sisse.

Ülekuumenemiskaitse

Tööriista või aku ülekuumenemisel seiskub tööriist automaatselt. Sellisel juhul laske tööriistal ja akul enne tööriista uuesti sisselülitamist jahtuda.

Ülelaadimiskaitse

Kui aku laetuse tase ei ole piisav, seiskub tööriist automaatselt. Sellisel juhul eemaldage aku seadmest ja laadige täis.

Kaitse muude põhjuste korral

Kaitsesüsteem on mõeldud ka muude põhjuste jaoks, mis võivad tööriista kahjustada, ja võimaldab tööriistal automaatselt seiskuda. Kui tööriist on ajutiselt peatatud või seiskunud, toimige põhjuste kõrvaldamiseks järgnevalt.

1. Lülitage tööriist välja ja seejärel taaskäivitamiseks uuesti sisse.
2. Laadige akut (akusid) või asendage aku (akud).
3. Laske tööriistal ja akul (akudel) jahtuda.

Kui kaitsesüsteemi taastamisega ei õnnestu olukorda parandada, võtke ühendust kohaliku Makita hoolduskeskusega.

Lüliti funktsioneerimine

Tööriista sisselülitamiseks vajutage lukustus-/avamisnupp. Tööriist lülitub ooterežiimi. Tööriista käivitamiseks vajutage ooterežiimis start/stopp nuppu. Tööriista seiskamiseks vajutage start/stopp nuppu uuesti. Tööriist lülitub ooterežiimi. Tööriista väljalülitamiseks vajutage ooterežiimis lukustus-/avamisnupp.

► **Joon.3:** 1. Lukustus-/avamisnupp 2. Start/stopp nupp

MÄRKUS: Kui ooterežiimis oleva tööriista 10 sekundit jooksul ühtegi toimingut ei tehta, siis lülitub tööriist automaatselt välja ja lamp kustub.

MÄRKUS: Tööriista on võimalik seisata ja välja lülitada, kui töötaval seadmel vajutada lukustus-/avamisnupp.

Eesmise lambi süütamine

⚠ETTEVAATUST: Ärge vaadake otse valgusesse ega valgusallikat.

Lambi sisselülitamiseks vajutage lukustus-/avamisnupp. Lambi väljalülitamiseks vajutage lukustus-/avamisnupp uuesti.

TÄHELEPANU: Kui tööriist on üle kuumenenud, vilgub tuli. Laske tööriistal enne uuesti kasutamist täielikult maha jahtuda.

MÄRKUS: Pühkige lamp kuiva lapiga puhtaks. Olge seda tehes ettevaatlik, et lambi läätse mitte kriimustada, sest muidu võib valgustus väheneda.

► **Joon.4:** 1. Lamp

Kiirusregulaator

Tööriista pöörlemiskiirust saab kiirusregulaatorit pöörates muuta. Järgnevas tabelis on toodud regulaatoril asuv number ja sellele vastav pöörlemiskiirus.

► **Joon.5:** 1. Kiirusregulaator

Number	Kiirus
1	10 000 min ⁻¹
2	15 000 min ⁻¹
3	21 000 min ⁻¹
4	26 000 min ⁻¹
5	31 000 min ⁻¹

⚠ETTEVAATUST: Ärge muutke töö ajal pöörlemiskiirust. Muidu võib tööriist ootamatult reageerida ja vigastusi põhjustada.

TÄHELEPANU: Kui tööriista kasutatakse lakka-
matult pika aja vältel aeglasel kiirusel, koormab see mootori üle ja tööriista töös võivad tekkida torked.

TÄHELEPANU: Kiiruse reguleerimise skaalat saab pöörata ainult kuni 5-ni ja tagasi kuni 1-ni. Ärge suruge skaalat jõuga üle 5 või 1, kuna kiiruse reguleerimisfunktsioon võib rikki minna.

Elektroniline funktsioon

Tööriist on varustatud lihtsama kasutamise jaoks elektroniliste funktsioonidega.

- Püsikiiruse juhtimine
Kiiruse juhtimise funktsioon tagab koormusest olenemata püsiva pöörlemiskiiruse.
- Sujuvkäivitus
Sujuvkäivituse funktsioon minimeerib käivitamisel tagasilööki ja võimaldab tööriistal sujuvalt käivituda.
- Pehme pidur
Tööriist peatub pehme piduriga õrnalt. Pehme pidur ei lase toorikul tagasipörke tõttu kahjustada saada ning võimaldab järgmist toimingut varem alustada. Kui tööriist ei suuda järjepidevalt servamisotsakut pärast lüliti väljalülitamist peatada, laske tööriista Makita teeninduskeskuses hooldada.

KOKKUPANEK

⚠ETTEVAATUST: Kandke alati hoolt selle eest, et tööriist oleks enne igasuguseid hooldustöid välja lülitatud ja akukassett eemaldatud.

Servamisotsaku paigaldamine või eemaldamine

TÄHELEPANU: Ärge pingutage tsangmutrit servamisemasina otsakut paigaldamata, sest muidu võib tsangkoonus puruneda.

Sisestage servamisotsak lõpuni tsangkoonusesse. Vajutage völliilukku ja keerake tsangmutter mutrivõtme kinni.

► **Joon.6:** 1. Völliiluk 2. Lõdvendamine
3. Pingutamine 4. Mutrivõti 5. Tsangmutter

Võite ka tsangmutri kahe mutrivõtmega tugevalt kinni keerata.

► **Joon.7:** 1. Mutrivõti 2. Lõdvendamine
3. Pingutamine 4. Tsangmutter

Servamisotsaku eemaldamiseks järgige paigaldamise protseduuri vastupidises järjekorras.

MÄRKUS: Servamisotsaku paigaldamise ajal tsangmutrit pingutades ei pruugi völliilukk algasendisse naasta. Völliilukk naaseb algasendisse tööriista käivitamisel.

► **Joon.8:** 1. Völliilukk

Tsangkoonuse vahetamine

⚠ETTEVAATUST: Tsangkoonuse suurus peab vastama kasutatavale servamismasina otsakule.

⚠ETTEVAATUST: Äрге pingutage tsangmutrit servamismasina otsakut paigaldamata, sest muidu võib tsangkoonus puruneda.

1. Lõdvendage tsangmutrit ja eemaldage see.
2. Asendage paigaldatud tsangkoonus sobiva tsangkoonusega.
3. Paigaldage tsangmutter uuesti.
▶ **Joon.9:** 1. Tsangkoonus 2. Tsangmutter

Servamismasina aluse paigaldamine või eemaldamine

1. Avage servamismasina aluse lukustushoob ja sisestage tööriist servamismasina alusesse, viies kohakuti tööriistal asuva soone ja servamismasina alusel oleva eendi.
2. Sulgege lukustushoob.
▶ **Joon.10:** 1. Lukustushoob

MÄRKUS: Võite kasutada servamismasina põhjamoodulit (vaik) lisavarustusena, nagu on näidatud joonisel. Kui kasutate servamismasina põhjamoodulit (vaik), vabastage või pingutage lukustushoova avamise või sulgemise asemel tiibmutrit.

Joondate tööriistal olev hammaslatt servamismasina alusel oleva hammasülekanega.

- ▶ **Joon.11:** 1. Tiibmutter 2. Hammaslatt
3. Hammasülekanne

3. Kinnitage tolmuotsik servamismasina alusele ja pingutage seejärel käsikruvi.
▶ **Joon.12:** 1. Tolmuotsik 2. Käsikruvi
▶ **Joon.13**

Aluse eemaldamiseks järgige paigaldamise protseduuri vastupidises järjekorras.

⚠ETTEVAATUST: Tööriista koos servamismasina alusega kasutamisel, paigaldage servamismasina alusele kindlasti tolmuotsik.

Kallutusosaluse paigaldamine või eemaldamine

Lisatarvik

1. Avage kallutusosaluse lukustushoob ja sisestage tööriist kallutusosalusesse, viies kohakuti tööriistal asuva soone ja kallutusosalusel oleva eendi.
2. Sulgege lukustushoob.
▶ **Joon.14:** 1. Lukustushoob

Aluse eemaldamiseks järgige paigaldamise protseduuri vastupidises järjekorras.

Nihutatud otsaku aluse paigaldamine või eemaldamine

Lisatarvik

1. Vajutage võllilukku ja lõdvendage seejärel tsangmutrit.
▶ **Joon.15:** 1. Tsangmutter 2. Võllilukk 3. Mutrivõti
2. Eemaldage tsangmutter ja tsangkoonus.
▶ **Joon.16:** 1. Tsangmutter 2. Tsangkoonus
3. Paigaldage rihmaratas tööriista külge, vajutades võllilukku ja keerates rihmaratta mutrivõtmega kinni.
▶ **Joon.17:** 1. Mutrivõti 2. Rihmaratas 3. Võllilukk
4. Lõdvendage alusplaadil asuvad kruvid ja eemaldage seejärel alusplaat.
▶ **Joon.18:** 1. Alusplaat
5. Avage nihutatud otsaku aluse lukustushoob ja kinnitage seejärel nihutatud otsaku alus tööriista külge.
▶ **Joon.19:** 1. Lukustushoob
6. Paigaldage rihm oratolise eseme, näiteks kruvi-keeraja abil rihmarattale, keerates rihma käitsi.
▶ **Joon.20:** 1. Rihmaratas 2. Rihm
7. Sulgege lukustushoob.
▶ **Joon.21:** 1. Lukustushoob
8. Kinnitage kruve pingutades alusplaat.
▶ **Joon.22:** 1. Alusplaat
9. Sisestage tsangkoonus ja servamisotsak nihutatud otsaku alusesse ning pingutage seejärel tsangmutter.
▶ **Joon.23:** 1. Servamismasina otsak 2. Tsangmutter 3. Tsangkoonus
10. Sisestage kuuskantvõti nihutatud otsaku alusesse ja pingutage seejärel mutrivõtmega tsangmutter.
▶ **Joon.24:** 1. Tsangmutter 2. Mutrivõti 3. Kuuskantvõti

Aluse eemaldamiseks järgige paigaldamise protseduuri vastupidises järjekorras.

MÄRKUS: Rihma on võimalik paigaldada rihmarattale ka ilma alusplaati eemaldamata, nagu on näha joonisel.

- ▶ **Joon.25:** 1. Rihmaratas 2. Rihm

Profiilreesimise aluse paigaldamine või eemaldamine

Lisatarvik

1. Avage profiilreesimise aluse lukustushoob ja sisestage tööriist profiilreesimise alusesse, viies kohakuti tööriistal asuva soone ja profiilreesimise alusel oleva eendi.
2. Sulgege lukustushoob.
▶ **Joon.26:** 1. Lukustushoob

Aluse eemaldamiseks järgige paigaldamise protseduuri vastupidises järjekorras.

Rööpjoonlauri profiilfreesimise alusele paigaldamine ja sealte eemaldamine

Lisatarvik

Sisestage juhtlaid profiilfreesimise aluses olevatesse avadesse ja pingutage seejärel tiibpoldid. Joonlauri eemaldamiseks järgige paigaldamise protseduuri vastupidises järjekorras.

► **Joon.27:** 1. Tiibpolt 2. Juhtlaid

Tolmuotsiku profiilfreesimise alusele paigaldamine ja sealte eemaldamine

Sisestage tolmuotsik profiilfreesimise alusesse nii, et tolmuotsiku eend sobiks profiilfreesimise aluse sälguga ja pingutage tolmuotsiku käsikruvi. Otsaku eemaldamiseks järgige paigaldamise protseduuri vastupidises järjekorras.

► **Joon.28:** 1. Eend 2. Tolmuotsik 3. Käsikruvi

► **Joon.29**

TÖÖRIISTA KASUTAMINE

Lõikesügavuse reguleerimine

Lõikesügavuse reguleerimiseks avage lukustushoob ja nihutage tööriista alust reguleerikruvi keerates üles või alla. Pärast reguleerimist sulgege lukustushoob tugevalt.

► **Joon.30:** 1. Lukustushoob 2. Reguleerimiskruvi

TÄHELEPANU: Kui tööriist ei ole fikseeritud isegi pärast lukustushoova sulgemist, pingutage kuuskantmutrit ja sulgege seejärel lukustushoob.

► **Joon.31:** 1. Kuuskantmutter

Profiilfreesimise alusega lõikesügavuse muutmine

Lisatarvik

1. Asetage tööriist tasasele pinnale.

2. Valige stopperit pöörates stopperkruvi.

► **Joon.32:** 1. Stopperkruvi 2. Stopper

3. Lõdvendage kinnitusmutter ja tõmmake seejärel stoppervarrast üles, vajutades samal ajal etteandenuppi.

► **Joon.33:** 1. Stoppervarras 2. Kinnitusmutter 3. Etteandenupp

4. Vajutage tööriista alla, kuni servamismasina otsak puudutab tasast pinda, ja pöörake seejärel tööriista kinnitamiseks kinnitushooba.

► **Joon.34:** 1. Kinnitushoob 2. Servamismasina otsak

5. Vajutage stoppervarrast alla, ise samal ajal etteandenuppi vajutades, kuni see puutub vastu stopperkruvi.

► **Joon.35:** 1. Stoppervarras 2. Stopperkruvi 3. Etteandenupp

6. Lükake sügavusosutit nii, et osuti näitaks skaalat „0”.

► **Joon.36:** 1. Sügavusosuti

7. Reguleerige lõikesügavust, tõmmates sügavusvarrast üles ja vajutades samal ajal etteandenuppi.

► **Joon.37:** 1. Stoppervarras 2. Etteandenupp

8. Lõikesügavuse peenreguleerimiseks pöörake stoppervarral asuvat skaalat nii, et see näitaks „0”.

► **Joon.38:** 1. Valikuketaks

9. Pöörake soovitud sügavuse saavutamiseks stoppervarda pead. Sügavuse suurendamiseks pöörake pead vastupäeva. Sügavuse vähendamiseks pöörake pead päripäeva. (Sügavus muutub iga pöördega 1 mm võrra.)

► **Joon.39:** 1. Stoppervarda pea

10. Pingutage stoppervarda kinnitusmutrit.

► **Joon.40:** 1. Kinnitusmutter

11. Vabastage kinnitushoob.

► **Joon.41:** 1. Kinnitushoob

Eespool kirjeldatud protseduuri järgi reguleeritud lõikesügavuse saavutamiseks vajutage tööriista alla, kuni stoppervarras puutub vastu stopperkruvi.

Tööriista kasutamine koos servamismasina alusega

Asetage tööriista alus toorikule, ilma et servamismasina otsak vastu toorikut puutuks. Lülitage tööriist sisse ja oodake, kuni servamismasina otsak saavutab täiskii-ruse. Liigutage tööriista edasisuunas üle tooriku pinna. Hoidke tööriista alust tööriista liigutamise ajal pinnaga tasa.

Serva lõikamise ajal hoidke töödeldava eseme pind kindlasti liikumissuunas servamismasina otsaku vasa-ku küljel.

► **Joon.42**

MÄRKUS: Enne tegelikku tooriku lõikamist on soovitatav teha proovilõikamine. Õige liikumiskiirus sõltub servamismasina otsaku suurusel, toorikust ja lõikesügavusest. Kui tööriista liigutatakse edasi liiga kiiresti, võib see põhjustada lõike halva kvaliteedi või kahjustada servamismasina otsakut või mootorit. Kui tööriista liigutatakse edasi liiga aeglaselt, võib see lõikekohta kõrvetada ja kahjustada.

Servamistalala, sirgjuhu või servamisjuhu kasutamisel hoidke seda etteandesuunas paremal pool. Sel juhul on lihtsam juhikut töödeldava pinna servaga kohakuti hoida.

► **Joon.43:** 1. Servamismasina otsak 2. Töödeldav detail 3. Sirgjuhk

TÄHELEPANU: Kuna liiga sügav lõikamine võib mootori üle koormata või raskendada tööriista valitsemist, ei tohi lõikesügavus soonte lõikamisel olla korraga üle 3 mm. Kui soovite lõigata sügavamaid sooni kui 3 mm, tehke järjest suureneva lõikesügavusega mitu lõiget.

Sirgjuhu kasutamine

1. Pange kokku sirgjuhk koos poldi ja tiibmutriga.

► **Joon.44:** 1. Pold 2. Tiibmutter

2. Kinnitage sirgjuhk pitskruvi abil servamismasina aluse külge.

► **Joon.45:** 1. Pitskruvi

3. Lõdvendage sirgjuhikul olevat tiibmutrit ja reguleerige servamisotsaku ja sirgjuhiku vahelist vahe-
maid. Soovitud vahekauguse saavutamisel pingutage tiibmutrit.

► **Joon.46:** 1. Tiibmutter

4. Liigutage tööriista nii, et sirgjuhik oleks töödeldava detaili servaga ühel joonel.

► **Joon.47**

Kui töödeldava detaili külje ja lõikeasendi vahemaa (A) on sirgjuhiku jaoks liiga lai või kui töödeldava detaili serv pole sirge, ei saa sirgjuhikut kasutada.

Sellisel juhul kinnitage töödeldava detaili külge sirge laud ja kasutage seda servamismasina aluse vastas juhikuna. Juhtige tööriista noole suunas.

► **Joon.48**

Sirgjuhiku kasutamine ringlõigete tegemiseks

Ringlõigete tegemiseks pange sirgjuhik kokku joonistel näidatud viisil. Lõigatavate ringide minimaalne ja maksimaalne raadius (ringi keskpunkti ja servamisotsaku keskpunkti vahekaugus) on järgmine:

- Minimaalne: 70 mm
- Maksimaalne: 221 mm

70 mm ja 121 mm raadiusega ringide lõikamine.

► **Joon.49:** 1. Keskava

121 mm ja 221 mm raadiusega ringide lõikamine.

► **Joon.50:** 1. Keskava

MÄRKUS: 172 mm ja 186 mm raadiusega ringe ei saa selle juhiku abil lõigata.

Seadke sirgjuhiku keskel olev ava lõigatava ringi keskpunkti kohale. Lööge sirgjuhiku fikseerimiseks keskel olevasse avasse alla 6 mm läbimõõduga nael. Liikuge tööriistaga päripäeva ümber naela.

► **Joon.51:** 1. Nael 2. Keskava

Šabloonjuhiku kasutamine

Šabloonjuhik võimaldab lõigata šabloonide abil karduvaid lõikeid.

1. Lõdvendage alusplaadil asuvad kruvid ja eemaldage seejärel servamismasina aluselt alusplaat.

2. Asetage šabloonjuhik alusele ja kinnitage kruvisid pingutades alusplaat.

► **Joon.52:** 1. Alusplaat 2. Šabloonjuhik

3. Asetage tööriist šabloonile ja liigutage tööriista edasi nii, et šabloonjuhik libiseks piki šablooni serva.

► **Joon.53**

MÄRKUS: Tegelik lõikesuurus töödeldaval esemel on šablooniga võrreldes natukene erinev. Erinevuse suurus on servamismasina otsaku ja šabloonjuhiku väliskülje vahele jääv vahemaa (X). Vahemaa (X) arvutamiseks saab kasutada järgmist valemit:

Vahemaa (X) = (šabloonjuhiku välisläbimõõt – servamismasina otsaku läbimõõt) / 2

► **Joon.54:** 1. Servamismasina otsak 2. Šabloonjuhik 3. Vahemaa (X) 4. Šabloonjuhiku välisläbimõõt 5. Šabloon 6. Toorik

Servamisjuhiku kasutamine

Lisatarvik

Servamisjuhik võimaldab servata kõverat külge, näiteks mööblispoon, liigutades juhrullikut piki töödeldava eseme külge.

► **Joon.55**

1. Lõdvendage pitskruvi, paigaldage servamisjuhik servamismasina alusele ja pingutage seejärel pitskruvi.

► **Joon.56:** 1. Pitskruvi

2. Lõdvendage pitskruvi ning reguleerige servamismasina otsaku ja -juhiku vahekaugust, keerates reguleerkruvi (1 mm pöörde kohta). Soovitud kaugusel pingutage pitskruvi servamisjuhiku fikseerimiseks.

► **Joon.57:** 1. Reguleerimiskruvi 2. Pitskruvi

3. Liigutage tööriista nii, et juhrullik liiguks mööda töödeldava detaili serva.

► **Joon.58:** 1. Töödeldav detail 2. Servamismasina otsak 3. Juhrullik

Tööriista kasutamine koos kallutusalusega

Kallutusalus kasutatakse laminaatpleki või teiste sarnaste materjalide servamiseks.

Kallutusalus on käepärane faasimisel. Lõdvendage tiibpoldid, kallutage seejärel tööriist soovitud nurga alla ja pingutage tiibpoldid uuesti.

Kinnitage töödeldava detaili külge tugevasti sirge laud ja kasutage seda kallutusalusel vastas juhikuna. Juhtige tööriista noole suunas.

► **Joon.59:** 1. Tiibpolt

Kallutusalusel plaadi kasutamine koos servamismasina alusega

Servamismasina aluse kasutamiseks koos nelinurkse alusplaadiga, eemaldage alusplaat kallutusaluselt ja kinnitage servamismasina aluse külge.

► **Joon.60:** 1. Kallutusalusel plaat 2. Servamismasina alusplaat

TÄHELEPANU: Kallutusalusel plaadi paigaldamisel kasutage servamismasina alusel olevaid kruve. Kallutusalusel olevad kruvid on lühemad kui servamismasina alusel olevad kruvid.

Tööriista kasutamine koos nihutatud otsaku alusega

Nihutatud otsa kasutatakse laminaatpleki või teiste sarnaste materjalide servamiseks. Nihutatud otsaku alus sobib töödeks, mida tehakse kitsas piirkonnas.

► **Joon.61**

Servamismasina aluse kasutamine koos nihutatud otsaku alusplaadi ja käepidemega

Nihutatud otsaku alust võib parema stabiilsuse saavutamiseks kasutada ka koos servamismasina aluse ja käepideme kinnitusega (lisavarustus).

1. Lõdvendage nihutatud otsaku alusplaadil asuvad kruvid ja eemaldage seejärel nihutatud otsaku aluselt alusplaat.

- **Joon.62:** 1. Nihutatud otsaku alusplaat
2. Servamismasina alusplaat

2. Kinnitage kruvisid pingutades nihutatud otsaku alusplaat servamismasina alusele.

3. Kinnitage käepideme kinnitus ja kangtüüpi käepide kruvisid pingutades nihutatud otsaku alusplaadi külge.

- **Joon.63:** 1. Kangtüüpi käepide 2. Käepideme kinnitus

Kangtüüpi käepideme asemele saab nihutatud otsaku alusele paigaldada profiilfreesimise aluselt eemaldatud nupptüüpi käepideme.

- **Joon.64:** 1. Kruvi 2. Nupptüüpi käepide

Tööriista kasutamine koos profiilfreesimise alusega

Hoidke töötamise ajal alati käepidemetest tugevalt kinni. Kasutage tööriista sama moodi nagu servamismasina alusega.

Sirgjuhiku kasutamine

Lisatarvik

1. Paigaldage sirgjuhik tiibmutrit pingutades juhikuhooldikusse. Sisestage juhikuhooldik profiilfreesimise aluses olevatesse avadesse ja pingutage seejärel tiibpoldid.

- **Joon.65:** 1. Tiibpolt 2. Juhikuhooldik 3. Tiibmutter 4. Sirgjuhik

2. Lõdvendage sirgjuhikul olevat tiibmutrit ja reguleerige servamisotsaku ja sirgjuhiku vahelist vahe- maad. Soovitud vahekauguse saavutamisel pingutage tiibmutrit.

- **Joon.66:** 1. Tiibmutter

3. Kasutage tööriista sama moodi nagu servamismasina aluse sirgjuhikut.

- **Joon.67**

Šabloonjuhiku kasutamine

Lisatarvik

1. Lõdvendage alusel asuvad kruvid ja eemaldage need. Asetage šabloonjuhik alusele ja pingutage seejärel kruvid.

- **Joon.68:** 1. Kruvi 2. Šabloonjuhik

2. Kasutage tööriista sama moodi nagu servamismasina aluse šabloonjuhikut.

- **Joon.69**

Rööpjoonlaua kasutamine

Rööpjoonlauda kasutatakse faasimisel või soonte lõikamisel sirge lõike saamiseks. Reguleerige vahe- maad servamisotsaku ja rööpjoonlaua vahel. Soovitud vahemaa saavutamisel pingutage rööpjoonlaua fikseerimiseks tiibpolte. Lõikamisel liigutage tööriista nii, et rööpjoonlaud oleks tooriku servaga ühel joonel.

- **Joon.70**

Kui töödeldava detaili külje ja lõikeasendi vahemaa (A) on rööpjoonlaua jaoks liiga lai või kui töödeldava detaili serv pole sirge, ei saa rööpjoonlauda kasutada.

Sellisel juhul kinnitage töödeldava detaili külge sirge laud ja kasutage seda profiilfreesimise aluse vastas juhikuna. Juhtige tööriista noole suunas.

- **Joon.71**

Nupptüüpi käepideme vahetamine kangtüüpi käepideme vastu

Kangtüüpi käepideme profiilfreesimise alusele paigaldamiseks lõdvendage nupptüüpi käepide, eemaldage seejärel nupptüüpi käepide ja paigaldage kangtüüpi käepide, pingutades selle kinni.

- **Joon.72:** 1. Nupptüüpi käepide 2. Kruvi 3. Kangtüüpi käepide

JUHTMETA AKTIVEERIMISE FUNKTSIOON

Mida võimaldab juhtmeta aktiveerimise funktsioon

Juhtmeta aktiveerimise funktsioon võimaldab puhast ja mugavat töötamist. Ühendades toetatud tolmuimeja tööriistaga, saate käivitada tolmuimeja automaatselt koos tööriista lüliti toimimisega.

- **Joon.73**

Juhtmeta aktiveerimise funktsiooni kasutamiseks valmistage ette alljärgnev:

- juhtmeta seade (valikuline tarvik);
- tolmuimeja, mis toetab juhtmeta aktiveerimise funktsiooni.

Alljärgnevalt on toodud juhtmeta aktiveerimise funktsiooni seadistamise ülevaade. Üksikasjalikuma teabe saamiseks vaadake konkreetseid jaotisi.

1. Juhtmeta seadme paigaldamine
2. Tööriista registreerimine tolmuimeja jaoks
3. Juhtmeta aktiveerimise funktsiooni käivitamine

Juhtmeta seadme paigaldamine

Valikuline tarvik

⚠ETTEVAATUST: Juhtmeta seadme paigaldamisel asetage tööriist tasasele ja kindlale pinnale.

TÄHELEPANU: Enne juhtmeta seadme paigaldamist puhastage tööriist tolmust ja mustusest. Kui tolmu ja mustus satuvad juhtmeta seadme pessa, siis võib esineda talitushäireid.

TÄHELEPANU: Staatika põhjustatud talitushäirete vältimiseks puudutage enne juhtmeta seadme ülestõstmist staatikat eemaldavat materjali, näiteks tööriista metallist osa.

TÄHELEPANU: Juhtmeta seadme paigaldamisel veenduge alati, et juhtmeta seade oleks sisestatud õiges suunas ja kaas oleks korralikult suletud.

1. Avage tööriista kaas joonisel näidatud viisil.

► **Joon.74:** 1. Kaas

2. Sisestage juhtmeta seade pesasse ja sulgege kaas.

Juhtmeta seadme sisestamisel joondage väljaulatuvad osad pesa süvendatud osadega.

► **Joon.75:** 1. Juhtmeta seade 2. Väljaulatuv osa
3. Kaas 4. Süvendatud osa

Juhtmeta seadme eemaldamisel avage kaas aeglaselt. Kaane tagaküljel asuvad konksud tõstavad juhtmeta seadme koos kaanega välja.

► **Joon.76:** 1. Juhtmeta seade 2. Konks 3. Kaas

Pärast eemaldamist hoidke juhtmeta seadet komplekti kuuluvas karbis või staatikavabas konteineris.

TÄHELEPANU: Juhtmeta seadme eemaldamisel kasutage alati kaane tagaküljel asuvaid konkse. Kui konksud ei haaku juhtmeta seadmega, sulgege kaas täielikult ja avage aeglaselt uuesti.

Tööriista registreerimine tolmuimeja jaoks

MÄRKUS: Registreerimiseks on vajalik Makita tolmuimeja, mis toetaks juhtmeta aktiveerimise funktsiooni.

MÄRKUS: Enne tööriista registreerimist tuleb juhtmeta seade tööriista paigaldada.

MÄRKUS: Tööriista registreerimise ajal ärge tõm-
make lüliti päästikut ega lülitage tolmuimeja toitelüliti sisse.

MÄRKUS: Vt ka tolmuimeja kasutusjuhendit.

Kui te soovite tolmuimeja koos tööriista lüliti toimimisega aktiveerida, siis peate kõigepealt lõpetama tööriista registreerimise.

1. Paigaldage patareid nii tolmuimejasse kui ka tööriista.

2. Seadke tolmuimeja ooterežiimi lüliti asendisse „AUTO”.

► **Joon.77:** 1. Ooterežiimi lüliti

3. Vajutage tolmuimejal juhtmeta aktiveerimise nuppu ja hoidke seda 3 sekundit all, kuni juhtmeta aktiveerimise tuli hakkab roheliselt vilkuma. Seejärel vajutage samamoodi tööriista juhtmeta aktiveerimise nuppu.

► **Joon.78:** 1. Juhtmeta aktiveerimise nupp
2. Juhtmeta aktiveerimise tuli

Kui tolmuimeja ja tööriist on edukalt seotud, siis juhtmeta aktiveerimise tuled süttivad 2 sekundiks roheliselt ja hakkavad seejärel siniselt vilkuma.

MÄRKUS: Juhtmeta aktiveerimise lambid lõpetavad roheliselt vilkumise 20 sekundi pärast. Vajutage juhtmeta aktiveerimise nuppu tööriistal, kui puhastajal vilgub juhtmeta aktiveerimise tuli. Kui juhtmeta aktiveerimise tuli ei vilgu roheliselt, siis vajutage korraks juhtmeta aktiveerimise nuppu ja hoidke seda uuesti all.

MÄRKUS: Sidudes kahte või enamat tööriista ühe tolmuimejaga, lõpetage tööriistade registreerimine üksikhaaval.

Juhtmeta aktiveerimise funktsiooni käivitamine

MÄRKUS: Enne juhtmeta aktiveerimist tuleb lõpetada tööriista tolmuimejaga sidumine.

MÄRKUS: Vt ka tolmuimeja kasutusjuhendit.

Pärast tööriista sidumist tolmuimejaga, käivitus tolmuimeja automaatselt tööriista lülite abil.

1. Paigaldage juhtmeta seade tööriista sisse.

2. Ühendage tolmuimeja voolik tööriistaga.

► **Joon.79**

3. Seadke tolmuimeja ooterežiimi lüliti asendisse „AUTO”.

► **Joon.80:** 1. Ooterežiimi lüliti

4. Vajutage korraks tööriistal olevat juhtmeta aktiveerimise nuppu. Juhtmeta aktiveerimise tuli vilgub siniselt.

► **Joon.81:** 1. Juhtmeta aktiveerimise nupp
2. Juhtmeta aktiveerimise tuli

5. Lülitage tööriist sisse. Kontrollige, kas tolmuimeja töötab tööriista töötamise ajal.

Tolmuimeja juhtmeta aktiveerimise peatamiseks vajutage tööriista juhtmeta aktiveerimise nuppu.

MÄRKUS: Tööriista juhtmeta aktiveerimise tuli lõpetab siniselt vilkumise, kui 2 tunni jooksul ei tehta ühtegi toimingut. Sellisel juhul seadke tolmuimeja ooterežiimi lüliti asendisse „AUTO” ja vajutage tööriistal uuesti juhtmeta aktiveerimise nuppu.

MÄRKUS: Tolmuimeja alustab/peatub viivitusega. Kui tolmuimeja tuvastab tööriista lüliti toimimise, esineb viivitus.

MÄRKUS: Juhtmeta seadme edastamise kaugus võib olenevalt asukohast ja ümbritsevatest oludest erineda.

MÄRKUS: Kui ühe tolmuimejaga seotakse kaks või enam tööriista, võib tolmuimeja hakata tööle isegi siis, kui te ei lülita tööriista sisse, sest mõni teine kasutaja kasutab juhtmeta aktiveerimise funktsiooni.

Juhtmeta aktiveerimise tule oleku kirjeldus

► Joon.82: 1. Juhtmeta aktiveerimise tuli

Juhtmeta aktiveerimise tuli näitab juhtmeta aktiveerimise funktsiooni olekut. Tule oleku tähendust näete allolevast tabelist.

Olek	Juhtmeta aktiveerimise tuli				Kirjeldus
	Värv	 Põleb	 Vilgub	Kestus	
Ooteaeg	Sinine			2 tundi	Tolmuimeja juhtmeta aktiveerimine on saadaval. Tuli lülitub automaatselt välja, kui 2 tunni jooksul ei tehta ühtegi toimingut.
				Kui tööriist on käivitatud.	Tolmuimeja juhtmeta aktiveerimine on saadaval ja tööriist on käivitatud.
Tööriista registreerimine	Roheline			20 sekundit	Valmis tööriista registreerimiseks. Tolmuimeja poolse registreerimise ootamine.
				2 sekundit	Tööriista registreerimine on lõpetatud. Juhtmeta aktiveerimise tuli hakkab siniselt vilkuma.
Tööriista registreerimise tühistamine	Punane			20 sekundit	Valmis tööriista registreerimise tühistamiseks. Tolmuimeja poolse tühistamise ootamine.
				2 sekundit	Tööriista registreerimise tühistamine on lõpetatud. Juhtmeta aktiveerimise tuli hakkab siniselt vilkuma.
Muu	Punane			3 sekundit	Juhtmeta seade on ühendatud toitega ja juhtmeta aktiveerimise funktsioon käivitub.
	Väljas	-		-	Tolmuimeja juhtmeta aktiveerimine on peatatud.

Tööriista registreerimise tühistamine tolmuimeja jaoks

Tööriista registreerimise tühistamiseks tolmuimeja jaoks tuleb toimida alljärgnevalt.

1. Paigaldage patareid nii tolmuimejasse kui ka tööriista.
2. Seadke tolmuimeja ooterežiimi lüliti asendisse „AUTO”.

► Joon.83: 1. Ooterežiimi lüliti

3. Vajutage tolmuimejal juhtmeta aktiveerimise nuppu ja hoidke seda 6 sekundit all. Juhtmeta aktiveerimise tuli vilgub roheliselt ja muutub seejärel punaseks. Seejärel vajutage samamoodi tööriista juhtmeta aktiveerimise nuppu.

- Joon.84: 1. Juhtmeta aktiveerimise nupp
2. Juhtmeta aktiveerimise tuli

Kui tolmuimeja ja tööriist on edukalt lahutatud, siis juhtmeta aktiveerimise tuled süttivad 2 sekundiks punaselt ja seejärel hakkavad need siniselt vilkuma.

MÄRKUS: Juhtmeta aktiveerimise lambid lõpetavad punaselt vilkumise 20 sekundi pärast. Vajutage juhtmeta aktiveerimise nuppu tööriistal, kui puhastajal vilgub juhtmeta aktiveerimise tuli. Kui juhtmeta aktiveerimise tuli ei vilgu punaselt, siis vajutage korra juhtmeta aktiveerimise nuppu ja hoidke seda uuesti all.

Juhtmeta aktiveerimise funktsiooni veatsing

Enne remonditöökotta pöördumist kontrollige niidukit ise. Ärge üritage niidukit lahti võtta, kui leiate probleemi, mida kasutusjuhendis ei kirjeldata. Selle asemel pöörduge Makita volitatud teeninduskeskusesse, kus kasutatakse remon-
timisel alati Makita tagavaraosi.

Tõrge	Võimalik põhjus (riike)	Lahendus
Juhtmeta aktiveerimise tuli ei põle / ei vilgu.	Tööriista sisse ei ole juhtmeta seadet paigaldatud. Juhtmeta seade on tööriista sisse valesti paigaldatud.	Paigaldage juhtmeta seade õigesti.
	Juhtmeta seadme klemm ja/või pesa on määrduanud.	Pühkige juhtmeta seadme klemmiit ettevaatlikult tolm ja mustus ning puhastage pesa.
	Tööriistal olevat juhtmeta aktiveerimise nuppu ei ole vajutatud.	Vajutage korraks tööriistal olevat juhtmeta aktiveerimise nuppu.
	Tolmuimeja ooterežiimi lüliti ei ole seatud asendisse „AUTO“.	Seadke tolmuimeja ooterežiimi lüliti asendisse „AUTO“.
	Puudub toiteallikas	Varustage tööriist ja tolmuimeja toiteallikaga.
Tööriista registreerimist / tööriista registreerimise tühistamist ei õnnestub edukalt lõpetada.	Tööriista sisse ei ole juhtmeta seadet paigaldatud. Juhtmeta seade on tööriista sisse valesti paigaldatud.	Paigaldage juhtmeta seade õigesti.
	Juhtmeta seadme klemm ja/või pesa on määrduanud.	Pühkige juhtmeta seadme klemmiit ettevaatlikult tolm ja mustus ning puhastage pesa.
	Tolmuimeja ooterežiimi lüliti ei ole seatud asendisse „AUTO“.	Seadke tolmuimeja ooterežiimi lüliti asendisse „AUTO“.
	Puudub toiteallikas	Varustage tööriist ja tolmuimeja toiteallikaga.
	Vale kasutamine	Vajutage korraks juhtmeta aktiveerimise nuppu ja tehke tööriista registreerimise/tühistamise toimingud uuesti.
	Tööriist ja tolmuimeja asuvad teineteisest liiga kaugel (on edastamise ulatusest väljas).	Viige tööriist ja tolmuimeja üksteisele lähemale. Maksimaalne ülekandekaugus on umbes 10 m, kuid see võib olenevalt asjaoludest varieeruda.
	Enne tööriista registreerimise/tühistamise lõpetamist; - tööriista lüliti on sisse lülitatud või; - tolmuimeja toitenupp on sisse lülitatud.	Vajutage korraks juhtmeta aktiveerimise nuppu ja tehke tööriista registreerimise/tühistamise toimingud uuesti.
	Tööriista või tolmuimeja sidumistoimingud on lõpetamata.	Tehke samal ajal nii tööriista kui ka tolmuimeja registreerimistoimingud.
	Teiste seadmete tekitatud raadiohäiring, mis tekitab väga intensiivseid raadiolaineid.	Hoidke tööriista ja tolmuimejat WiFi-seadmetest ja mikrolaineahjust eemal.
	Tolmuimeja ei tööta tööriista lüliti kaudu.	Tööriista sisse ei ole juhtmeta seadet paigaldatud. Juhtmeta seade on tööriista sisse valesti paigaldatud.
Juhtmeta seadme klemm ja/või pesa on määrduanud.		Pühkige juhtmeta seadme klemmiit ettevaatlikult tolm ja mustus ning puhastage pesa.
Tööriistal olevat juhtmeta aktiveerimise nuppu ei ole vajutatud.		Vajutage korraks juhtmeta aktiveerimise nuppu ja veenduge, et juhtmeta aktiveerimise tuli vilguks siniselt.
Tolmuimeja ooterežiimi lüliti ei ole seatud asendisse „AUTO“.		Seadke tolmuimeja ooterežiimi lüliti asendisse „AUTO“.
Tolmuimejaga on seotud üle 10 tööriista.		Tehke registreerimistoiming uuesti. Kui tolmuimejaga on seotud üle 10 tööriista, siis kõige esimesena registreeritud tööriista sidumine tühistatakse automaatselt.
Tolmuimeja kustutas kõik registreeritud tööriistad.		Registreerige tööriist uuesti.
Puudub toiteallikas		Varustage tööriist ja tolmuimeja toiteallikaga.
Tööriist ja tolmuimeja asuvad teineteisest liiga kaugel (on edastamise ulatusest väljas).		Viige tööriist ja tolmuimeja üksteisele lähemale. Maksimaalne ülekandekaugus on umbes 10 m, kuid see võib olenevalt asjaoludest varieeruda.
Teiste seadmete tekitatud raadiohäiring, mis tekitab väga intensiivseid raadiolaineid.		Hoidke tööriista ja tolmuimejat WiFi-seadmetest ja mikrolaineahjust eemal.
Tolmuimeja töötab, kui tööriist ei tööta.	Teised kasutajad kasutavad oma tööriistaga tolmuimeja juhtmeta aktiveerimist.	Lülitage teiste tööriistade juhtmeta aktiveerimise nupp välja või tühistage teiste tööriistade registreerimine.

HOOLDUS

⚠ETTEVAATUST: Enne kontroll- või hooldustoimingute tegemist kandke alati hoolt selle eest, et tööriist oleks välja lülitatud ja akukassett kor-puse küljest eemaldatud.

TÄHELEPANU: Ärge kunagi kasutage bensiini, vedeldit, alkoholi ega midagi muud sarnast. Selle tulemuseks võib olla luitumine, deformatsioon või pragunemine.

Toote OHUTUSE ja TÖÖKINDLUSE tagamiseks tuleb vajalikud remonttööd ning muud hooldus- ja reguleerimistööd lasta teha Makita volitatud teeninduskeskustes või tehase teeninduskeskustes. Alati tuleb kasutada Makita varuosid.

SERVAMISMASINA OTSAKUD

Lisatarvik

Sirgotsak

► Joon.85

D	A	L1	L2
6	20	50	15
6	6	50	18
6	8	50	18
8	8	60	25
1/4"	20	50	15
1/4"	6	50	18
1/4"	8	50	18

Ühik:mm

U-soone otsak

► Joon.86

D	A	L1	L2	R
6	6	50	18	3
1/4"	6	50	18	3

Ühik:mm

V-soone otsak

► Joon.87

D	A	L1	L2	θ
6	20	50	15	90°
1/4"	20	50	15	90°

Ühik:mm

Puuriteravikuga tasaservamisotsak

► Joon.88

D	A	L1	L2	L3
6	6	60	18	28
8	8	60	20	35
1/4"	6	60	18	28

Ühik:mm

Puuriteravikuga kahekordne tasaservamisotsak

► Joon.89

D	A	L1	L2	L3	L4
6	6	70	40	12	14
8	8	80	55	20	25
1/4"	6	70	40	12	14

Ühik:mm

Nurgäümdardusotsak

► Joon.90

D	A1	A2	L1	L2	L3	R
6	25	9	48	13	5	8
6	20	8	45	10	4	4
1/4"	25	9	48	13	5	8
1/4"	20	8	45	10	4	4

Ühik:mm

Faasimisotsak

► Joon.91

D	A	L1	L2	L3	θ
6	23	46	11	6	30°
6	20	50	13	5	45°
6	20	49	14	2	60°
1/4"	23	46	11	6	30°
1/4"	20	48	13	5	45°
1/4"	20	49	14	2	60°

Ühik:mm

Nõgusfreesimisotsak

► Joon.92

D	A	L1	L2	R
6	20	43	8	4
6	25	48	13	8
1/4"	20	43	8	4
1/4"	25	48	13	8

Ühik:mm

Kalabasaoone freesimisotsak**► Joon.93**

D	A	L1	L2	θ
8	12	50	9	30°
8	14,5	55	10	35°
8	14,5	55	14,5	23°
1/4"	12	50	9	30°
1/4"	14,5	55	10	35°
1/4"	14,5	55	14,5	23°

Ühik:mm

Kuullaagritega tasaservamisotsak**► Joon.94**

D	A	L1	L2
6	10	50	20
1/4"	10	50	20

Ühik:mm

Kuullaagritega ribitamisosak**► Joon.95**

D	A1	A2	A3	L1	L2	L3	R
6	20	12	8	40	10	5,5	4
6	26	12	8	42	12	4,5	7
1/4"	20	12	8	40	10	5,5	4
1/4"	26	12	8	42	12	4,5	7

Ühik:mm

Kuullaagritega nurgaümmardusotsak**► Joon.96**

D	A1	A2	L1	L2	L3	R
6	15	8	37	7	3,5	3
6	21	8	40	10	3,5	6
1/4"	15	8	37	7	3,5	3
1/4"	21	8	40	10	3,5	6

Ühik:mm

Kuullaagritega faasimisotsak**► Joon.97**

D	A1	A2	L1	L2	θ
6	26	8	42	12	45°
6	20	8	41	11	60°
1/4"	26	8	42	12	45°
1/4"	20	8	41	11	60°

Ühik:mm

Kuullaagritega nõgusprofiili ribitamisosak**► Joon.98**

D	A1	A2	A3	A4	L1	L2	L3	R
6	20	18	12	8	40	10	5,5	3
6	26	22	12	8	42	12	5	5
1/4"	20	18	12	8	40	10	5,5	3
1/4"	26	22	12	8	42	12	5	5

Ühik:mm

Kuullaagritega Rooma tüüpi S-profiili otsak**► Joon.99**

D	A1	A2	L1	L2	L3	R1	R2
6	20	8	40	10	4,5	2,5	4,5
6	26	8	42	12	4,5	3	6
1/4"	20	8	40	10	4,5	2,5	4,5
1/4"	26	8	42	12	4,5	3	6

Ühik:mm

VALIKULISED TARVIKUD

ÄTTEVAATUST: Neid tarvikuid ja liseseadiseid on soovitatav kasutada koos Makita tööriistaga, mille kasutamist selles kasutusjuhendis kirjeldatakse. Muude tarvikute ja liseseadiste kasutamisega kaasneb vigastada saamise oht. Kasutage tarvikuid ja liseseadiseid ainult otstarbekohaselt.

Saate vajaduse korral kohalikust Makita teeninduskeskusest lisateavet nende tarvikute kohta.

- Sirg- ja rihvamisotsakud
- Ääreotsakud
- Laminaadiservamisotsakud
- Sirgjuhiku moodul
- Servamisjuhiku moodul
- Servamismasina põhjamoodul
- Servamismasina põhjamoodul (vaik)
- Kallutusaluse moodul
- Profiilfreesimise aluse moodul
- Nihutatud otsaku aluse moodul
- Käepideme kinnitus
- Šabloonjuhk
- Tsangkoonus
- Mutrivõti 13
- Mutrivõti 22
- Juhtmeta seade
- Makita algupärane aku ja laadija

MÄRKUS: Mõned nimekirjas loetletud tarvikud võivad kuuluda standardvarustusse ning need on lisatud tööriista pakendisse. Need võivad riigiti erineda.

Sellele servamismasinale kehtivad tarvikud

Tööriista saab kasutada järgmiste tarvikutega mitmesugusel otstarbel.
Mõned tarvikud ei ole teie riigis saadaval.

► Joon.100

1. **Servamismasina alus** (metall)
2. **Servamismasina alus** (polümeer)
Lõike hea nähtavus.
3. **Kallutusalus**
4. **Nihutatud otsaku alus**
5. **Profiilreesimise alus**
6. **Käepideme kinnitus**
7. **Šabloonjuhk**
8. **Sirgjuhk**
9. **Servamisjuhk**
10. **Servamistald**
Võimaldab nurki täpselt töödelda. * Kasutage koos servamisjuhiku osadega.
11. **Tolmuotsak**
12. **Alusplaat** (metall)
13. **Kandiline alusplaat** (kallutusalususe alusplaat)
14. **Nihutatud otsaku alusplaat** (nihutatud otsaku aluse alusplaat)
Nihutatud otsaku alusplaadi kasutamisel koos käepideme kinnitusega saab kinnitada käepideme.
15. **Alusplaat** (polümeer)
16. **Käepideme alus**
17. **Kangkäepide**
18. **Nuppkäepide** (profiilreesimise aluse käepide)
19. **Tolmuotsak** profiilreesimise alusele
20. **Šabloonjuhk** profiilreesimise alusele
21. **Juhikuhoidik**
See võimaldab kasutada profiilreesimise alusel servamismasina aluse sirgjuhikut.
22. **Rööpjoonlaud**
Täppisreguleerimine paigutamisel.
23. **Rööpjoonlaud**
24. **Juhtpiirde adapter**
25. **Juhtpiire**
Täpsete sirgete lõigete tegemiseks.
26. **Kaldlõike juhk**
Juhtpiirde nurga reguleerimiseks.
27. **Juhtpiirde ühendusliitmik** (2 tk)
Kahe juhtpiirde ühendamiseks.
28. **Klamber** (standardne)
Juhtpiirde fikseerimiseks.
29. **Klamber** (kiirklamber)
Juhtpiirde fikseerimiseks.
30. **Tugi**
Juhtpiirde parandusosad ülemise plastlinde jaoks.
31. **Kummitugi**
Juhtpiirde parandusosad alumise kummilindi jaoks.
32. **Asenditugi**
Juhtpiirde parandusosad asenditoe jaoks.

► Joon.101

ТЕХНИЧЕСКИЕ ХАРАКТЕРИСТИКИ

Модель:		RT001G
Размер цангового патрона		6 мм, 8 мм или 1/4 дюйма
Число оборотов без нагрузки		10 000 - 31 000 мин ⁻¹
Общая высота	с BL4025	245 мм
	с BL4040	251 мм
Номинальное напряжение		36 В – 40 В пост. тока макс.
Масса нетто		2,2 - 2,5 кг

- Благодаря нашей постоянно действующей программе исследований и разработок указанные здесь технические характеристики могут быть изменены без предварительного уведомления.
- Технические характеристики и аккумуляторный блок могут отличаться в зависимости от страны.
- Масса может отличаться в зависимости от дополнительного оборудования. Обратите внимание, что блок аккумулятора также считается дополнительным оборудованием. В таблице представлены комбинации с наибольшим и наименьшим весом в соответствии с процедурой ЕРТА 01/2014.

Подходящий блок аккумулятора и зарядное устройство

Блок аккумулятора	BL4020 / BL4025 / BL4040
Зарядное устройство	DC40RA / DC40RB / DC40RC

- В зависимости от региона проживания некоторые блоки аккумуляторов и зарядные устройства, перечисленные выше, могут быть недоступны.

⚠ОСТОРОЖНО: Используйте только перечисленные выше блоки аккумуляторов и зарядные устройства. Использование других блоков аккумуляторов и зарядных устройств может привести к травме и/или пожару.

Назначение

Данный инструмент предназначен для зачистки заподлицо и профилирования дерева, пластмассы и подобных материалов.

Шум

Типичный уровень взвешенного звукового давления (A), измеренный в соответствии с EN62841-2-17:
 Рабочий режим: вращение без нагрузки
 Уровень звукового давления (L_{pA}): 81 дБ (A)
 Уровень звуковой мощности (L_{WA}): 92 дБ (A)
 Погрешность (K): 3 дБ (A)

ПРИМЕЧАНИЕ: Заявленное значение распространения шума измерено в соответствии со стандартной методикой испытаний и может быть использовано для сравнения инструментов.

ПРИМЕЧАНИЕ: Заявленное значение распространения шума можно также использовать для предварительных оценок воздействия.

⚠ОСТОРОЖНО: Используйте средства защиты слуха.

⚠ОСТОРОЖНО: Распространение шума во время фактического использования электроинструмента может отличаться от заявленного значения в зависимости от способа применения инструмента и в особенности от типа обрабатываемой детали.

⚠ОСТОРОЖНО: Обязательно определите меры безопасности для защиты оператора, основанные на оценке воздействия в реальных условиях использования (с учетом всех этапов рабочего цикла, таких как выключение инструмента, работа без нагрузки и включение).

Вибрация

Суммарное значение вибрации (сумма векторов по трем осям), определенное в соответствии с EN62841-2-17:
 Рабочий режим: вращение без нагрузки
 Распространение вибрации (a_n): 2,5 м/с² или менее
 Погрешность (K): 1,5 м/с²

ПРИМЕЧАНИЕ: Заявленное общее значение распространения вибрации измерено в соответствии со стандартной методикой испытаний и может быть использовано для сравнения инструментов.

ПРИМЕЧАНИЕ: Заявленное общее значение распространения вибрации можно также использовать для предварительных оценок воздействия.

⚠ОСТОРОЖНО: Распространение вибрации во время фактического использования электроинструмента может отличаться от заявленного значения в зависимости от способа применения инструмента и в особенности от типа обрабатываемой детали.

⚠ОСТОРОЖНО: Обязательно определите меры безопасности для защиты оператора, основанные на оценке воздействия в реальных условиях использования (с учетом всех этапов рабочего цикла, таких как выключение инструмента, работа без нагрузки и включение).

Декларация о соответствии ЕС

Только для европейских стран

Декларация о соответствии ЕС включена в руководство по эксплуатации (Приложение А).

МЕРЫ БЕЗОПАСНОСТИ

Общие рекомендации по технике безопасности для электроинструментов

⚠ОСТОРОЖНО: Ознакомьтесь со всеми представленными инструкциями по технике безопасности, указаниями, иллюстрациями и техническими характеристиками, прилагаемыми к данному электроинструменту. Несоблюдение каких-либо инструкций, указанных ниже, может привести к поражению электрическим током, пожару и/или серьезной травме.

Сохраните брошюру с инструкциями и рекомендациями для дальнейшего использования.

Термин "электроинструмент" в предупреждениях относится ко всему инструменту, работающему от сети (с проводом) или на аккумуляторах (без провода).

Правила техники безопасности при эксплуатации аккумуляторный триммер

1. Для фиксации разрезаемой детали на устойчивой поверхности используйте зажимы или другие соответствующие приспособления. Никогда не держите распиливаемые детали в руках и не прижимайте их к телу, так как это не обеспечит устойчивого положения детали и может привести к потере контроля над инструментом.
2. Держите электроинструмент только за специальные изолированные поверхности, поскольку при выполнении работ возможен контакт фрезы со скрытой электропроводкой. В случае разрезания находящегося под напряжением провода напряжение может передаваться на металлические части инструмента, что станет причиной поражения оператора электрическим током.

3. Используйте только фрезу для триммера, рассчитанную по меньшей мере на максимальную скорость, указанную на инструменте. Если инструмент имеет функцию регулировки скорости, установите скорость вращения инструмента ниже максимально допустимой скорости фрезы для триммера.
4. Хвостовик фрезы для триммера должен подходить к имеющемуся цанговому патрону.
5. В случае длительной эксплуатации инструмента используйте средства защиты слуха.
6. Аккуратно обращайтесь с фрезой для триммера.
7. Перед эксплуатацией тщательно осмотрите фрезу для триммера и убедитесь в отсутствии трещин или повреждений. Немедленно замените треснувшую или поврежденную фрезу.
8. Избегайте попадания режущего инструмента на гвозди. Перед выполнением работ осмотрите деталь и удалите из нее все гвозди.
9. Крепко держите инструмент.
10. Руки должны находиться на расстоянии от вращающихся деталей.
11. Перед включением выключателя убедитесь, что фреза для триммера не касается детали.
12. Перед использованием инструмента для обработки детали дайте ему немного поработать вхолостую. Убедитесь в отсутствии вибрации или биения, которые могут свидетельствовать о неправильной установке фрезы для триммера.
13. Помните о направлении вращения фрезы для триммера и направлении ее подачи.
14. Не оставляйте работающий инструмент без присмотра. Включайте инструмент только тогда, когда он находится в руках.
15. Перед извлечением инструмента из детали всегда выключайте его и ждите, пока фреза полностью остановится.
16. Сразу после окончания работ не прикасайтесь к фрезе. Она может быть очень горячей, что приведет к ожогам кожи.
17. Не допускайте попадания на основание растворителя, бензина, масла или схожих веществ по неосторожности. Они могут стать причиной растрескивания основания.
18. Используйте фрезы для триммера, диаметр хвостовика которых соответствует скорости инструмента.
19. Некоторые материалы могут содержать токсичные химические вещества. Примите соответствующие меры предосторожности, чтобы избежать вдыхания или контакта с кожей таких веществ. Соблюдайте требования, указанные в паспорте безопасности материала.
20. Обязательно используйте соответствующую пылезащитную маску/респиратор для защиты дыхательных путей от пыли разрезаемых материалов.

СОХРАНИТЕ ДАННЫЕ ИНСТРУКЦИИ.

▲ОСТОРОЖНО: НЕ ДОПУСКАЙТЕ, чтобы удобство или опыт эксплуатации данного устройства (полученный от многократного использования) доминировали над строгим соблюдением правил техники безопасности при обращении с этим устройством. **НЕПРАВИЛЬНОЕ ИСПОЛЬЗОВАНИЕ** инструмента или несоблюдение правил техники безопасности, указанных в данном руководстве, может привести к тяжелой травме.

Важные правила техники безопасности для работы с аккумуляторным блоком

1. Перед использованием аккумуляторного блока прочитайте все инструкции и предупреждающие надписи на (1) зарядном устройстве, (2) аккумуляторном блоке и (3) инструменте, работающем от аккумуляторного блока.
2. Не разбирайте блок аккумулятора и не меняйте его конструкцию. Это может привести к пожару, перегреву или взрыву.
3. Если время работы аккумулятора значительно сократилось, немедленно прекратите работу. В противном случае, может возникнуть перегрев блока, что приведет к ожогам и даже к взрыву.
4. В случае попадания электролита в глаза промойте их обильным количеством чистой воды и немедленно обратитесь к врачу. Это может привести к потере зрения.
5. Не замыкайте контакты аккумуляторного блока между собой:
 - (1) Не прикасайтесь к контактам какими-либо токопроводящими предметами.
 - (2) Не храните аккумуляторный блок в контейнере вместе с другими металлическими предметами, такими как гвозди, монеты и т. п.
 - (3) Не допускайте попадания на аккумуляторный блок воды или дождя.Замыкание контактов аккумуляторного блока между собой может привести к возникновению большого тока, перегреву, возможным ожогам и даже поломке блока.
6. Не храните и не используйте инструмент и аккумуляторный блок в местах, где температура может достигать или превышать 50 °C (122 °F).
7. Не бросайте аккумуляторный блок в огонь, даже если он сильно поврежден или полностью вышел из строя. Аккумуляторный блок может взорваться под действием огня.
8. Запрещено вбивать гвозди в блок аккумулятора, резать, ломать, бросать, ронять блок аккумулятора или ударять его твердым предметом. Это может привести к пожару, перегреву или взрыву.
9. Не используйте поврежденный аккумуляторный блок.

10. Входящие в комплект литий-ионные аккумуляторы должны эксплуатироваться в соответствии с требованиями законодательства об опасных товарах.

При коммерческой транспортировке, например, третьей стороной или экспедитором, необходимо нанести на упаковку специальные предупреждения и маркировку.

В процессе подготовки устройства к отправке обязательно проконсультируйтесь со специалистом по опасным материалам. Также соблюдайте местные требования и нормы. Они могут быть строже.

Закройте или закрепите разомкнутые контакты и упакуйте аккумулятор так, чтобы он не перемещался по упаковке.

11. Для утилизации блока аккумулятора извлеките его из инструмента и утилизируйте безопасным способом. Выполняйте требования местного законодательства по утилизации аккумулятора блока.
12. Используйте аккумуляторы только с продукцией, указанной Makita. Установка аккумуляторов на продукцию, не соответствующую требованиям, может привести к пожару, перегреву, взрыву или утечке электролита.
13. Если инструментом не будут пользоваться в течение длительного периода времени, извлеките аккумулятор из инструмента.
14. Во время и после использования блок аккумулятора может нагреваться, что может стать причиной ожогов или низкотемпературных ожогов. Будьте осторожны при обращении с горячим блоком аккумулятора.
15. Не прикасайтесь к контактам инструмента сразу после использования, поскольку они могут быть достаточно горячими, чтобы вызвать ожоги.
16. Не допускайте налипания на контакты, отверстия и пазы блока аккумулятора опилок, пыли или земли. Это может стать причиной перегрева, возгорания, взрыва или неисправности инструмента или блока аккумулятора, что может привести к ожогам или травмам.
17. Если инструмент не рассчитан на использование вблизи высоковольтных линий электропередач, не используйте блок аккумулятора вблизи высоковольтных линий электропередач. Это может привести к неисправности, поломке инструмента или блока аккумулятора.
18. Храните аккумулятор в недоступном для детей месте.

СОХРАНИТЕ ДАННЫЕ ИНСТРУКЦИИ.

▲ВНИМАНИЕ: Используйте только фирменные аккумуляторные батареи Makita.

Использование аккумуляторных батарей, не произведенных Makita, или батарей, которые были подвергнуты модификациям, может привести к взрыву аккумулятора, пожару, травмам и повреждению имущества. Это также автоматически аннулирует гарантию Makita на инструмент и зарядное устройство Makita.

Советы по обеспечению максимального срока службы аккумулятора

1. Заряжайте блок аккумуляторов перед его полной разрядкой. Обязательно прекратите работу с инструментом и зарядите блок аккумуляторов, если вы заметили снижение мощности инструмента.
2. Никогда не подзаряжайте полностью заряженный блок аккумуляторов. Перезарядка сокращает срок службы аккумулятора.
3. Заряжайте блок аккумуляторов при комнатной температуре в 10 - 40 °C (50 - 104 °F). Перед зарядкой горячего блока аккумуляторов дайте ему остыть.
4. Если блок аккумулятора не используется, извлеките его из инструмента или зарядного устройства.
5. Зарядите ионно-литиевый аккумуляторный блок, если вы не будете пользоваться инструментом длительное время (более шести месяцев).

Важные правила техники безопасности для работы с беспроводным блоком

1. Не разбирайте и не меняйте конструкцию беспроводного блока.
2. Храните беспроводной блок в недоступном для детей месте. При случайном проглатывании немедленно обратитесь к врачу.
3. Используйте беспроводной блок только с инструментами Makita.
4. Не подвергайте беспроводной блок воздействию дождя или влаги.
5. Не используйте беспроводной блок в тех местах, где температура превышает 50 °C.
6. Не используйте беспроводной блок в тех местах, где поблизости могут находиться медицинские инструменты, например, кардиостимуляторы.
7. Не используйте беспроводной блок в тех местах, где могут находиться автоматизированные устройства. При использовании автоматизированных устройств могут возникнуть сбои или ошибки.
8. Не используйте беспроводной блок в местах, где он может подвергаться воздействию высокой температуры, статического электричества или электрических помех.
9. Беспроводной блок может создавать электромагнитные поля (EMF), которые не представляют опасности для пользователя.
10. Беспроводной блок является точным инструментом. Не роняйте и не ударяйте беспроводной блок.
11. Не прикасайтесь к клемме беспроводного блока голыми руками или металлическими предметами.

12. Во время установки беспроводного блока обязательно вытащите аккумулятор из устройства.
13. Не открывайте крышку гнезда в таких местах, где в него может попасть пыль и вода. Входное отверстие гнезда всегда должно быть чистым.
14. Обязательно вставляйте беспроводной блок в правильном направлении.
15. Не нажимайте слишком сильно кнопку активации на беспроводном блоке и/или не нажимайте кнопку, используя объекты с острым краем.
16. Во время работы обязательно закрывайте крышку гнезда.
17. Не вытаскивайте беспроводной блок из гнезда, если на инструмент подано питание. Это может привести к неисправной работе беспроводного блока.
18. Не снимайте наклейку с беспроводного блока.
19. Не приклеивайте к беспроводному блоку никаких наклеек.
20. Не оставляйте беспроводной блок в таких местах, где может скапливаться статическое электричество или присутствовать электрические помехи.
21. Не оставляйте беспроводной блок в местах с высокой температурой, например на сиденье автомобиля в жару.
22. Не оставляйте беспроводной блок в местах, где присутствует пыль или порошок, или может образоваться коррозионный газ.
23. Внезапное изменение температуры может привести к образованию конденсата на беспроводном блоке. Не используйте беспроводной блок до тех пор, пока конденсат полностью не высохнет.
24. При чистке беспроводного блока аккуратно протрите его сухой мягкой тканью. Не используйте бензин, разбавитель, проводящую смазку или аналогичные материалы.
25. При хранении беспроводного блока поместите его в поставляемый футляр или в контейнер без статического электричества.
26. Не вставляйте в гнездо на инструменте никаких других устройств, кроме беспроводного блока Makita.
27. Не используйте инструмент с поврежденной крышкой гнезда. В гнездо может попасть вода, пыль и грязь, это может привести к неисправности.
28. Не тяните и/или не скручивайте крышку гнезда сильнее, чем это необходимо. Если крышка отсоединилась от инструмента, установите ее на место.
29. Замените крышку гнезда, если она утеряна или повреждена.

СОХРАНИТЕ ДАННЫЕ ИНСТРУКЦИИ.

ОПИСАНИЕ РАБОТЫ

ВНИМАНИЕ: Перед регулировкой или проверкой функций инструмента обязательно убедитесь, что он выключен и его аккумуляторный блок снят.

Установка или снятие блока аккумуляторов

ВНИМАНИЕ: Обязательно выключайте инструмент перед установкой и извлечением аккумуляторного блока.

ВНИМАНИЕ: При установке и извлечении аккумуляторного блока крепко удерживайте инструмент и аккумуляторный блок. Если не соблюдать это требование, они могут выскользнуть из рук, что приведет к повреждению инструмента, аккумуляторного блока и травмированию оператора.

Для снятия аккумуляторного блока нажмите кнопку на лицевой стороне и извлеките блок.

► **Рис.1:** 1. Красный индикатор 2. Кнопка 3. Блок аккумулятора

Для установки блока аккумулятора совместите выступ блока аккумулятора с пазом в корпусе и задвиньте его на место. Устанавливайте блок до упора так, чтобы он зафиксировался на месте с небольшим щелчком. Если вы можете видеть красный индикатор на верхней части клавиши, блок аккумулятора не полностью зафиксирован на месте.

ВНИМАНИЕ: Обязательно устанавливайте блок аккумулятора до конца, чтобы красный индикатор не был виден. В противном случае блок аккумулятора может выпасть из инструмента и нанести травму вам или другим людям.

ВНИМАНИЕ: Не прилагайте чрезмерных усилий при установке аккумуляторного блока. Если блок не двигается свободно, значит он вставлен неправильно.

Индикация оставшегося заряда аккумулятора

Нажмите кнопку проверки на аккумуляторном блоке для проверки заряда. Индикаторы загорятся на несколько секунд.

► **Рис.2:** 1. Индикаторы 2. Кнопка проверки

Индикаторы			Уровень заряда
Горит	Выкл.	Мигает	
■	□	▧	от 75 до 100%
■ ■ ■ ■	□ □ □ □	□ □ □ □	от 50 до 75%
■ ■	□ □ □ □	□ □ □ □	от 25 до 50%
■	□ □ □ □	□ □ □ □	от 0 до 25%
▧	□ □ □ □	□ □ □ □	Зарядите аккумуляторную батарею.

Индикаторы			Уровень заряда
Горит	Выкл.	Мигает	
■	□	▧	Возможно, аккумуляторная батарея неисправна.
■ ■ □ □	□ □ □ □	□ □ □ □	

ПРИМЕЧАНИЕ: В зависимости от условий эксплуатации и температуры окружающего воздуха индикация может незначительно отличаться от фактического значения.

ПРИМЕЧАНИЕ: Первая (дальняя левая) индикаторная лампа будет мигать во время работы защитной системы аккумулятора.

Система защиты инструмента/аккумулятора

На инструменте предусмотрена система защиты инструмента/аккумулятора. Она автоматически отключает питание двигателя для продления срока службы инструмента и аккумулятора. Инструмент автоматически остановится во время работы в следующих случаях:

Защита от перегрузки

Если из-за способа эксплуатации аккумулятор потребляет очень большое количество тока, он автоматически остановится без включения каких-либо индикаторов. В этом случае выключите инструмент и прекратите работу, повлекшую перегрузку инструмента. Затем включите инструмент для перезапуска.

Защита от перегрева

При перегреве инструмента или аккумулятора инструмент останавливается автоматически. В этом случае дайте инструменту и аккумулятору остыть перед повторным включением.

Защита от переразрядки

При истощении емкости аккумулятора инструмент автоматически останавливается. В этом случае извлеките аккумулятор из инструмента и зарядите его.

Защита от других неполадок

Система защиты также обеспечивает защиту от других неполадок, способных повредить инструмент, и обеспечивает автоматическую остановку инструмента. В случае временной остановки или прекращения работы инструмента выполните все перечисленные ниже действия для устранения причины остановки.

1. Выключите и снова включите инструмент для его перезапуска.
2. Зарядите аккумулятор(ы) или замените его(их) заряженным(и).
3. Дайте инструменту и аккумулятору (аккумуляторам) остыть.

Если после возврата системы защиты в исходное состояние ситуация не изменится, обратитесь в сервисный центр Makita.

Действие выключателя

Чтобы включить инструмент, нажмите кнопку блокировки/разблокировки. Инструмент переходит в режим ожидания. Чтобы запустить инструмент, нажмите кнопку пуска/останова инструмента в режиме ожидания. Для остановки работы инструмента снова нажмите кнопку пуска/останова. Инструмент переходит в режим ожидания. Чтобы выключить инструмент, нажмите кнопку блокировки/разблокировки в режиме ожидания.

- **Рис.3:** 1. Кнопка блокировки/разблокировки
2. Кнопка пуска/останова

ПРИМЕЧАНИЕ: Если инструмент находится в режиме ожидания более 10 секунд, он автоматически выключится, а лампа погаснет.

ПРИМЕЧАНИЕ: Вы также можете остановить и отключить инструмент, нажав кнопку блокировки/разблокировки в процессе работы.

Включение передней лампы

ВНИМАНИЕ: Не смотрите непосредственно на свет или источник света.

Чтобы включить лампу, нажмите кнопку блокировки/разблокировки. Чтобы выключить лампу, нажмите кнопку блокировки/разблокировки еще раз.

ПРИМЕЧАНИЕ: При перегреве инструмента начинает мигать лампа. Перед возобновлением работы полностью остудите инструмент.

ПРИМЕЧАНИЕ: Для удаления пыли с линзы лампы используйте сухую ткань. Не допускайте возникновения царапин на линзе лампы, так как это приведет к снижению освещенности.

- **Рис.4:** 1. Лампа

Поворотный регулятор скорости

Скорость вращения инструмента можно настраивать, поворачивая регулятор скорости. В таблице ниже приведены порядковые номера регулировок и соответствующая им скорость вращения.

- **Рис.5:** 1. Поворотный регулятор скорости

Цифра	Скорость
1	10 000 мин ⁻¹
2	15 000 мин ⁻¹
3	21 000 мин ⁻¹
4	26 000 мин ⁻¹
5	31 000 мин ⁻¹

ВНИМАНИЕ: Не меняйте частоту вращения во время работы. В противном случае неожиданное движение инструмента может причинить травму.

ПРИМЕЧАНИЕ: Если инструментом пользоваться непрерывно на низкой скорости в течение продолжительного времени, двигатель будет перегружен, что приведет к поломке инструмента.

ПРИМЕЧАНИЕ: Диск регулировки скорости можно поворачивать только до цифры 5 и обратно до 1. Не применяйте силу для поворота диска за пределы значений 5 или 1, так как это может привести к отказу функции регулирования скорости.

Электронная функция

Для простоты эксплуатации инструмент оснащен электронными функциями.

- **Постоянный контроль скорости**
Функция контроля скорости обеспечивает неизменное число оборотов независимо от нагрузки.
- **Плавный запуск**
Функция плавного запуска уменьшает пусковой удар и смягчает запуск инструмента.
- **Мягкий тормоз**
Инструмент плавно останавливается с помощью мягкого тормоза. Мягкий тормоз предотвращает повреждение обрабатываемой детали из-за отдачи и позволяет раньше начать следующую операцию.
Если инструмент регулярно не останавливает фрезу для триммера после выключения инструмента, отправьте инструмент в сервисный центр Makita для обслуживания.

СБОРКА

ВНИМАНИЕ: Перед проведением каких-либо работ с инструментом обязательно убедитесь, что инструмент отключен, а блок аккумулятора снят.

Установка или снятие фрезы для фрезера

ПРИМЕЧАНИЕ: Не затягивайте цанговую гайку, не установив фрезу для триммера, иначе цанговый конус может сломаться.

Вставьте фрезу для триммера в цанговый конус до упора. Нажмите на фиксатор вала и затяните цанговую гайку с помощью гаечного ключа.

- **Рис.6:** 1. Фиксатор вала 2. Ослабить 3. Затянуть 4. Гаечный ключ 5. Цанговая гайка

Кроме того, для надежного затягивания цанговой гайки можно использовать два ключа.

- **Рис.7:** 1. Гаечный ключ 2. Ослабить 3. Затянуть 4. Цанговая гайка

Чтобы снять фрезу для триммера, повторите процедуру установки в обратном порядке.

ПРИМЕЧАНИЕ: Фиксатор вала может не вернуться в исходное положение при затягивании цанговой гайки в процессе установки фрезы для триммера. Фиксатор вала возвращается в исходное положение при запуске инструмента.

► **Рис.8:** 1. Фиксатор вала

Замена цангового конуса

▲ВНИМАНИЕ: Размер цангового конуса должен соответствовать размеру используемой фрезы для триммера.

▲ВНИМАНИЕ: Не затягивайте цанговую гайку, не установив фрезу для триммера, иначе цанговый конус может сломаться.

1. Открутите и снимите цанговую гайку.
2. Замените установочный цанговый конус на конус правильного размера.
3. Установите на место цанговую гайку.

► **Рис.9:** 1. Цанговый конус 2. Цанговая гайка

Установка и снятие основания для фрезера

1. Откройте стопорный рычаг основания для фрезера, затем вставьте инструмент в основание и совместите паз на инструменте с выступом на основании для фрезера.

2. Закройте рычаг блокировки.

► **Рис.10:** 1. Стопорный рычаг

ПРИМЕЧАНИЕ: В качестве дополнительной принадлежности можно использовать пластмассовое основание для триммера, как показано на рисунке. При использовании пластмассового основания для триммера вместо открытия и закрытия рычага крепления следует ослабить или, соответственно, затянуть накатную гайку.

Совместите зубчатую рейку на инструменте с зубчатым колесом на основании триммера.

► **Рис.11:** 1. Накатная гайка 2. Зубчатая рейка 3. Зубчатое колесо

3. Подсоедините пылесборный патрубок к основанию для фрезера, затем затяните барашковый винт.

► **Рис.12:** 1. Пылесборный патрубок 2. Винт с накатанной головкой

► **Рис.13**

Чтобы снять основание, выполните процедуру установки в обратном порядке.

▲ВНИМАНИЕ: Если вы работаете с инструментом на основании, обязательно устанавливайте пылесборный патрубок именно на основание для фрезера.

Установка и снятие основания для фрезерования под наклоном

Дополнительные принадлежности

1. Откройте стопорный рычаг основания для фрезерования под наклоном, затем вставьте инструмент в основание и совместите паз на инструменте с выступом на основании.

2. Закройте рычаг блокировки.

► **Рис.14:** 1. Стопорный рычаг

Чтобы снять основание, выполните процедуру установки в обратном порядке.

Установка и снятие основания для криволинейного фрезерования

Дополнительные принадлежности

1. Надавите на фиксатор вала, затем ослабьте цанговую гайку.

► **Рис.15:** 1. Цанговая гайка 2. Фиксатор вала 3. Гаечный ключ

2. Снимите цанговую гайку и цанговый конус.

► **Рис.16:** 1. Цанговая гайка 2. Цанговый конус

3. Установите шкив на инструмент, нажав на фиксатор вала и затянув шкив гаечным ключом.

► **Рис.17:** 1. Гаечный ключ 2. Шкив 3. Фиксатор вала

4. Ослабьте винты на плите основания, затем снимите ее.

► **Рис.18:** 1. Плита основания

5. Откройте стопорный рычаг основания для смещения фрезы, а затем прикрепите основание для смещения фрезы к инструменту.

► **Рис.19:** 1. Стопорный рычаг

6. Закрепите ремень при помощи стержня (например, плоской отвертки), вращая ремень вручную.

► **Рис.20:** 1. Шкив 2. Ремень

7. Закройте рычаг блокировки.

► **Рис.21:** 1. Стопорный рычаг

8. Установите плиту основания, затянув винты.

► **Рис.22:** 1. Плита основания

9. Вставьте цанговый конус и фрезу в основание для криволинейного фрезерования, затем затяните цанговую гайку.

► **Рис.23:** 1. Фреза для фрезера 2. Цанговая гайка 3. Цанговый конус

10. Вставьте шестигранный ключ в отверстие основания для криволинейного фрезерования, затем затяните цанговую гайку с помощью гаечного ключа.

► **Рис.24:** 1. Цанговая гайка 2. Гаечный ключ 3. Шестигранный ключ

Чтобы снять основание, выполните процедуру установки в обратном порядке.

ПРИМЕЧАНИЕ: Вы также можете закрепить ремень на шкив, не снимая плиту основания, как показано на рисунке.

► **Рис.25:** 1. Шкив 2. Ремень

Установка и снятие основания для погружного фрезерования

Дополнительные принадлежности

1. Откройте стопорный рычаг основания для погружного фрезерования, затем вставьте инструмент в основание до упора и совместите паз на инструменте с выступом на основании.

2. Закройте рычаг блокировки.

► **Рис.26:** 1. Стопорный рычаг

Чтобы снять основание, выполните процедуру установки в обратном порядке.

Установка параллельного упора на основание для погружного фрезерования и его снятие

Дополнительные принадлежности

Вставьте направляющие в отверстия основания для погружного фрезерования и затяните барашковые болты. Чтобы снять упор, выполните процедуру установки в обратном порядке.

► **Рис.27:** 1. Барашковый болт 2. Пильная шина

Установка пылесборного патрубка на основание для погружного фрезерования и его снятие

Установите пылесборный патрубок на основание для погружного фрезерования так, чтобы выступ на патрубке был совмещен с пазом на основании. Затем затяните барашковый винт на пылесборном патрубке. Чтобы снять патрубок, выполните процедуру установки в обратном порядке.

► **Рис.28:** 1. Выступ 2. Пылесборный патрубок
3. Винт с накатанной головкой

► **Рис.29**

ЭКСПЛУАТАЦИЯ

Регулировка глубины резки

Для настройки глубины резки ослабьте стопорный рычаг и переместите основание инструмента вверх или вниз, для чего поверните регулировочный винт. После регулировки надежно затяните стопорный рычаг.

► **Рис.30:** 1. Стопорный рычаг 2. Регулировочный винт

ПРИМЕЧАНИЕ: Если инструмент не закреплен даже после затягивания стопорного рычага, затяните шестигранную гайку, а затем стопорный рычаг.

► **Рис.31:** 1. Шестигранная гайка

Регулировка глубины резки инструмента с основанием для погружного фрезерования

Дополнительные принадлежности

1. Установите инструмент на плоскую поверхность.

2. Выберите стопорный винт, повернув стопорное основание.

► **Рис.32:** 1. Стопорный винт 2. Стопорное основание

3. Ослабьте фиксирующую гайку, а затем потяните вверх стопорную опору, нажимая при этом на кнопку управления подачей.

► **Рис.33:** 1. Стопорная опора 2. Фиксирующая гайка 3. Кнопка управления подачей

4. Надавливайте на инструмент, пока наконечник фрезы для фрезера не соприкоснется с ровной поверхностью. Затем поверните фиксирующий рычаг, чтобы закрепить инструмент.

► **Рис.34:** 1. Фиксирующий рычаг 2. Фреза для фрезера

5. Удерживая нажатой кнопку управления подачей, надавливайте на стопорную опору, пока она не соприкоснется со стопорным винтом.

► **Рис.35:** 1. Стопорная опора 2. Стопорный винт 3. Кнопка управления подачей

6. Сдвиньте указатель глубиномера так, чтобы он находился на отметке "0" на шкале.

► **Рис.36:** 1. Указатель глубиномера

7. Чтобы настроить глубину резки, потяните вверх стопорную опору, удерживая при этом нажатой кнопку управления подачей.

► **Рис.37:** 1. Стопорная опора 2. Кнопка управления подачей

8. Для точной регулировки глубины резки поверните диск регулировки на стопорной опоре в положение "0".

► **Рис.38:** 1. Регулятор со шкалой

9. Поверните головку стопорной опоры для получения нужной глубины. Для увеличения глубины поверните головку против часовой стрелки. Для уменьшения глубины поверните головку по часовой стрелке. (Глубина меняется на 1 мм за один оборот).

► **Рис.39:** 1. Головка на стопорной опоре

10. Затяните фиксирующую гайку стопорной опоры.

► **Рис.40:** 1. Фиксирующая гайка

11. Отпустите фиксирующий рычаг.

► **Рис.41:** 1. Фиксирующий рычаг

Надавлив на инструмент до момента соприкосновения стопорной опоры со стопорным винтом, можно получить глубину резки, установленную согласно описанной выше процедуре.

Работа с инструментом на основании для фрезера

Установите основание инструмента на обрабатываемую деталь так, чтобы фреза не касалась детали. Включите инструмент и дождитесь, пока фреза для триммера не разовьет полную скорость. Затем перемещайте инструмент вперед по поверхности обрабатываемой детали. Во время перемещения инструмента его основание должно прилегать к обрабатываемой детали вплотную. При осуществлении резки кромки поверхность обрабатываемой детали должна находиться слева от фрезы в направлении подачи.

► **Рис.42**

ПРИМЕЧАНИЕ: Прежде чем начинать резку самой обрабатываемой детали, рекомендуется выполнить пробную резку. Надлежащая скорость подачи зависит от размера фрезы, типа обрабатываемой детали и глубины резки. Слишком быстрое перемещение инструмента вперед может ухудшить качество резки или повредить фрезу для триммера или двигатель. Слишком медленное перемещение инструмента вперед может привести к сжиганию и порче обрабатываемой детали.

При использовании башмака фрезера, прямой направляющей или кромкообрезной направляющей обязательно устанавливайте ее на правой стороне в направлении подачи. Это поможет удерживать ее заподлицо с боковой стороной обрабатываемой детали.

► **Рис.43:** 1. Фреза для фрезера
2. Обрабатываемая деталь 3. Прямая направляющая

ПРИМЕЧАНИЕ: Поскольку чрезмерная резка может привести к перегрузке двигателя или трудностям в управлении инструментом, глубина резки не должна превышать 3 мм за один проход при фрезеровании пазов. Если вы хотите вырезать пазы глубиной более 3 мм, сделайте несколько проходов, постепенно увеличивая глубину погружения фрезы.

Использование прямой направляющей

1. Установите прямую направляющую при помощи болта и барашковой гайки.

► **Рис.44:** 1. Болт 2. Барашковая гайка

2. Закрепите прямую направляющую на основании для фрезера с помощью зажимного винта.

► **Рис.45:** 1. Зажимной винт

3. Ослабьте барашковую гайку на прямой направляющей и отрегулируйте расстояние между фрезой для триммера и прямой направляющей. Надежно затяните барашковую гайку, выбрав нужное расстояние.

► **Рис.46:** 1. Барашковая гайка

4. Перемещайте инструмент, держа прямую направляющую заподлицо с боковой стороной обрабатываемой детали.

► **Рис.47**

Если расстояние (А) между боковой стороной обрабатываемой детали и положением резки слишком широкое для прямой направляющей, или если боковая сторона обрабатываемой детали неровная, прямую направляющую использовать нельзя. В данном случае надежно закрепите прямую планку на обрабатываемой детали и используйте ее в качестве направляющей для основания фрезера. Подавайте инструмент в направлении стрелки.

► **Рис.48**

Использование прямой направляющей при круговой резке

Для выполнения круговой резки закрепите прямую направляющую, как показано на рисунке. Минимальный и максимальный радиусы вырезаемых окружностей (расстояние между центром окружности и центром фрезы для триммера) следующие:

- Минимальный: 70 мм
- Максимальный: 221 мм

Для резки окружностей радиусом от 70 мм до 121 мм.

► **Рис.49:** 1. Центральное отверстие

Для резки окружностей радиусом от 121 мм до 221 мм.

► **Рис.50:** 1. Центральное отверстие

ПРИМЕЧАНИЕ: С использованием данной направляющей окружности диаметром от 172 до 186 мм вырезать нельзя.

Совместите центральное отверстие в прямой направляющей с центром вырезаемой окружности. Вставьте гвоздь диаметром до 6 мм в центральное отверстие для закрепления прямой направляющей. Поверните инструмент вокруг гвоздя по часовой стрелке.

► **Рис.51:** 1. Гвоздь 2. Центральное отверстие

Использование профильной направляющей

Профильная направляющая позволяет выполнять идентичные резы с помощью профиля.

1. Ослабьте винты на плите основания, затем снимите плиту основания с основания фрезера.

2. Установите профильную направляющую на основание, затем закрепите плиту основания, затянув винты.

► **Рис.52:** 1. Плита основания 2. Профильная направляющая

3. Установите инструмент на профиль и перемещайте его так, чтобы профильная направляющая скользила вдоль боковой стороны профиля.

► **Рис.53**

ПРИМЕЧАНИЕ: Фактический размер реза на обрабатываемой детали незначительно отличается от размера профиля. Разница не превышает расстояния (Х) между фрезой и внешней стороной профильной направляющей. Расстояние (Х) можно вычислить при помощи следующего уравнения:
Расстояние (Х) = (наружный диаметр профильной направляющей - диаметр фрезы) / 2

► **Рис.54:** 1. Фреза для фрезера 2. Профильная направляющая 3. Расстояние (Х) 4. Внешний диаметр профильной направляющей 5. Профиль 6. Обрабатываемая деталь

Использование кромкообрезной направляющей

Дополнительные принадлежности

Кромкообрезная направляющая позволяет резать фигурные кромки, например, для мебели, перемещая направляющий ролик вдоль боковой стороны обрабатываемой детали.

► **Рис.55**

1. Ослабьте зажимной винт, затем установите кромкообрезную направляющую на основание и затяните зажимной винт.

► **Рис.56:** 1. Зажимной винт

2. Ослабьте зажимной винт и отрегулируйте зазор между фрезой и кромкообрезной направляющей, повернув регулировочный винт (1 мм на оборот). Отрегулировав необходимый зазор, затяните зажимной винт, чтобы зафиксировать кромкообрезную направляющую.

► **Рис.57:** 1. Регулировочный винт 2. Зажимной винт

3. Перемещайте инструмент так, чтобы направляющий ролик перемещался по боковой стороне обрабатываемой детали.

► **Рис.58:** 1. Обрабатываемая деталь 2. Фреза для фрезера 3. Направляющий ролик

Работа с инструментом на основании для фрезерования под наклоном

Основание для фрезерования под наклоном используется для подрезания края листа из слоистого материала или аналогичных материалов.

Основание для фрезерования под наклоном удобно для снятия фаски. Ослабьте барашковые винты, затем наклоните инструмент до нужного угла и затяните барашковые винты.

Надежно зажмите на детали прямую планку и используйте ее в качестве направляющей для основания для фрезерования под наклоном. Подавайте инструмент в направлении стрелки.

► **Рис.59:** 1. Барашковый винт

Использование плиты основания для фрезерования под наклоном на основании для фрезера

Чтобы использовать основание фрезера с квадратной плитой, снимите плиту с основания для фрезерования под наклоном и установите на основание для фрезера.

► **Рис.60:** 1. Плита основания для фрезерования под наклоном 2. Плита основания для фрезера

ПРИМЕЧАНИЕ: При установке плиты основания для фрезерования под наклоном используйте винты на основании триммера. Винты на основании для фрезерования под наклоном короче винтов на основании триммера.

Работа с инструментом на основании для криволинейного фрезерования

Основание для криволинейного фрезерования используется для подрезания края листа из слоистого материала или аналогичных материалов. Основание для криволинейного фрезерования удобно для работы в ограниченном пространстве.

► **Рис.61**

Использование основания для фрезера с плитой основания для криволинейного фрезерования и рукояткой

Плиту основания для криволинейного фрезерования можно также использовать с основанием для фрезера и рукояткой (поставляется отдельно) для обеспечения большей устойчивости.

1. Ослабьте винты на пластине основания для смещения фрезы, а затем снимите пластину с основания.

► **Рис.62:** 1. Плита основания для криволинейного фрезерования 2. Плита основания для фрезера

2. Присоедините плиту основания для криволинейного фрезерования к основанию фрезера, затянув винты.

3. Присоедините крепление рукоятки и стержневую рукоятку к плите основания для криволинейного фрезерования, затянув винты.

► **Рис.63:** 1. Стержневая рукоятка 2. Крепление рукоятки

Круглая рукоятка, снятая с основания для погружного фрезерования, может быть установлена на основание для криволинейного фрезерования вместо стержневой рукоятки.

► **Рис.64:** 1. Винт 2. Круглая рукоятка

Работа с инструментом на основании для погружного фрезерования

При работе крепко держите инструмент за рукоятку обеими руками. Работайте с инструментом так же, как с инструментом на основании для фрезера.

Использование прямой направляющей

Дополнительные принадлежности

1. Установите прямую направляющую на держатель с помощью барашковой гайки. Вставьте держатель направляющей в отверстия основания для погружного фрезерования и затяните барашковые болты.

► **Рис.65:** 1. Барашковый болт 2. Держатель направляющей 3. Барашковая гайка 4. Прямая направляющая

2. Ослабьте барашковую гайку на прямой направляющей и отрегулируйте расстояние между фрезой для триммера и прямой направляющей. Надежно затяните барашковую гайку, выбрав нужное расстояние.

► **Рис.66:** 1. Барашковая гайка

3. Работайте с инструментом так же, как с прямой направляющей на основании для фрезера.

► **Рис.67**

Использование профильной направляющей

Дополнительные принадлежности

1. Ослабьте винты на основании и снимите их. Установите профильную направляющую на основание и затяните винты.

► **Рис.68:** 1. Винт 2. Профильная направляющая

2. Работайте с инструментом так же, как с профильной направляющей на основании для фрезера.

► **Рис.69**

Использование параллельного упора

Параллельный упор эффективно используется для осуществления прямых вырезов при снятии фасок или резке пазов. Отрегулируйте зазор между фрезой и параллельным упором. Установив необходимый зазор, затяните барашковые болты для закрепления параллельного упора. При резке перемещайте инструмент, держа параллельный упор вплотную к боковой стороне обрабатываемой детали.

► **Рис.70**

Если расстояние (А) между боковой стороной обрабатываемой детали и положением резки слишком широкое для параллельного упора, или если боковая сторона обрабатываемой детали неровная, параллельный упор использовать нельзя. В данном случае, надежно закрепите прямую планку на обрабатываемой детали и используйте ее в качестве направляющей для основания для погружного фрезерования. Подавайте инструмент в направлении стрелки.

► **Рис.71**

Замена круглой рукоятки на стержневую

Чтобы установить стержневую рукоятку на основание для погружного фрезерования, ослабьте винты крепления круглой рукоятки, снимите круглую рукоятку, установите стержневую рукоятку и затяните ее.

► **Рис.72:** 1. Круглая рукоятка 2. Винт 3. Стержневая рукоятка

ФУНКЦИЯ БЕСПРОВОДНОЙ АКТИВАЦИИ

Что позволяет делать функция беспроводной активации

Функция беспроводной активации обеспечивает беспрепятственную и удобную работу. Подключив к инструменту поддерживаемый пылесос, можно его автоматически запускать, используя переключатель инструмента.

► **Рис.73**

Чтобы использовать функцию беспроводной активации, подготовьте следующие компоненты:

- Беспроводной блок (Дополнительные принадлежности)
- Пылесос, который поддерживает функцию беспроводной активации

Обзор настройки функции беспроводной активации выглядит следующим образом. Подробные процедуры см. в каждом разделе.

1. Установка беспроводного блока
2. Регистрация инструмента для пылесоса
3. Запуск функции беспроводной активации

Установка беспроводного блока

Дополнительные принадлежности

▲ВНИМАНИЕ: При установке беспроводного блока поместите инструмент на ровную и устойчивую поверхность.

ПРИМЕЧАНИЕ: Перед началом установки беспроводного блока очистите пыль и грязь на инструменте. Если пыль или грязь попадет в гнездо беспроводного блока, это может привести к неисправности.

ПРИМЕЧАНИЕ: Во избежание сбоев, вызванных статическим электричеством, прежде чем поднимать беспроводной блок, прикоснитесь к материалу, позволяющему снять статический разряд, например, к металлической части инструмента.

ПРИМЕЧАНИЕ: При установке беспроводного блока всегда следите за тем, чтобы беспроводной блок был вставлен в правильном направлении, и крышка была полностью закрыта.

1. Откройте крышку на инструменте, как показано на рисунке.

► **Рис.74:** 1. Крышка

2. Вставьте беспроводной блок в гнездо и закройте крышку.

При вставке беспроводного блока выравнивайте выступы с углубленными участками в гнезде.

► **Рис.75:** 1. Беспроводной блок 2. Защита 3. Крышка 4. Углубленный участок

При извлечении беспроводного блока медленно откройте крышку. Если потянуть крышку, то крючки на обратной стороне крышки поднимут беспроводной блок.

► **Рис.76:** 1. Беспроводной блок 2. Крючок 3. Крышка

После извлечения беспроводного блока поместите его в поставляемый футляр или в контейнер без статического электричества.

ПРИМЕЧАНИЕ: Для снятия беспроводного блока обязательно используйте крючки на обратной стороне крышки. Если крючки не захватывают беспроводной блок, полностью закройте крышку и снова медленно откройте ее.

Регистрация инструмента для пылесоса

ПРИМЕЧАНИЕ: Для регистрации инструмента необходим пылесос Makita, поддерживающий функцию беспроводной активации.

ПРИМЕЧАНИЕ: Перед началом регистрации инструмента завершите установку беспроводного блока в инструмент.

ПРИМЕЧАНИЕ: Во время регистрации инструмента не тяните за триггерный переключатель и не включайте выключатель питания на пылесосе.

ПРИМЕЧАНИЕ: См. также руководство по эксплуатации пылесоса.

Если необходимо активировать пылесос одновременно с переключением инструмента, сначала завершите регистрацию инструмента.

1. Установите аккумулятор в пылесос и инструмент.
2. Установите выключатель режима ожидания на пылесосе в положение «АУТО» (автоматический).
► **Рис.77:** 1. Выключатель режима ожидания
3. Нажмите и удерживайте кнопку беспроводной активации на пылесосе в течение 3 секунд, пока лампа беспроводной активации не замигает зеленым цветом. Затем таким же образом нажмите кнопку беспроводной активации на инструменте.
► **Рис.78:** 1. Кнопка беспроводной активации 2. Лампа беспроводной активации

Если пылесос и инструмент надежно соединены друг с другом, то лампы беспроводной активации будут гореть зеленым светом в течение 2 секунд, затем начнут мигать синим цветом.

ПРИМЕЧАНИЕ: Через 20 секунд лампы беспроводной активации связи закончат мигать зеленым цветом. Если на пылесосе мигает лампа беспроводной активации, нажмите кнопку беспроводной активации на инструменте. Если лампа беспроводной активации не мигает зеленым цветом, нажмите кнопку беспроводной активации на короткое время, а затем снова удерживайте ее.

ПРИМЕЧАНИЕ: При выполнении двух или более регистраций инструмента для одного пылесоса завершите регистрацию инструмента одну за другой.

Запуск функции беспроводной активации

ПРИМЕЧАНИЕ: Перед беспроводной активацией завершите регистрацию инструмента для пылесоса.

ПРИМЕЧАНИЕ: См. также руководство по эксплуатации пылесоса.

После регистрации инструмента для пылесоса можно использовать переключатель инструмента для автоматического запуска пылесоса.

1. Установите беспроводной блок в инструмент.
2. Подсоедините шланг пылесоса к инструменту.
► **Рис.79**

3. Установите выключатель режима ожидания на пылесосе в положение «АУТО» (автоматический).

► **Рис.80:** 1. Выключатель режима ожидания

4. На короткое время нажмите кнопку беспроводной активации на инструменте. Лампа беспроводной активации мигает синим цветом.

► **Рис.81:** 1. Кнопка беспроводной активации 2. Лампа беспроводной активации

5. Включите инструмент. Проверьте, работает ли пылесос во время работы инструмента.

Чтобы остановить беспроводную активацию пылесоса, нажмите кнопку беспроводной активации на инструменте.

ПРИМЕЧАНИЕ: Если в течение 2 часов не будет выполняться никаких действий, то лампа беспроводной активации на инструменте перестанет мигать синим цветом. В этом случае установите выключатель режима ожидания на пылесосе в положение «АУТО» и снова нажмите кнопку беспроводной активации на инструменте.

ПРИМЕЧАНИЕ: Пылесос запускается/останавливается с задержкой. Когда пылесос обнаруживает переключение выключателя инструмента, возникает временная задержка.















ПРИМЕЧАНИЕ: Дальность передачи беспроводного блока может варьироваться в зависимости от местоположения и окружающих предметов.

ПРИМЕЧАНИЕ: Если за одним пылесосом закреплено два или несколько инструментов, то пылесос может начать работать, даже если вы не включаете свой инструмент, поскольку другой пользователь использует функцию беспроводной активации.

Описание статуса лампы беспроводной активации

► Рис.82: 1. Лампа беспроводной активации

Лампа беспроводной активации отображает состояние функции беспроводной активации. Значения состояния лампы см. в таблице ниже.

Состояние	Лампа беспроводной активации				Описание
	Цвет	 Вкл	 Мигает	Продолжительность	
Ожидание	Синий			2 часа	Доступна беспроводная активация пылесоса. Если в течение 2 часов не будет выполняться никаких операций, лампа автоматически выключится.
				Пока инструмент работает.	Доступна беспроводная активация пылесоса, инструмент работает.
Регистрация инструмента	Зеленая			20 секунд	Готовность к регистрации инструмента. Ожидание регистрации пылесосом.
				2 секунды	Регистрация инструмента завершена. Лампа беспроводной активации начнет мигать синим цветом.
Отмена регистрации инструмента	Красная			20 секунд	Готовность к отмене регистрации инструмента. Ожидание отмены пылесосом.
				2 секунды	Отмена регистрации инструмента завершена. Лампа беспроводной активации начнет мигать синим цветом.
Прочие	Красная			3 секунд	На беспроводной блок подается питание, и запускается функция беспроводной активации.
	Выкл	-	-	-	Беспроводная активация пылесоса прекращается.

Отмена регистрации инструмента для пылесоса

При отмене регистрации инструмента для пылесоса выполните следующую процедуру.

1. Установите аккумулятор в пылесос и инструмент.
2. Установите выключатель режима ожидания на пылесосе в положение «АУТО» (автоматический).

► Рис.83: 1. Выключатель режима ожидания

3. Нажмите и удерживайте кнопку беспроводной активации на пылесосе в течение 6 секунд. Лампа беспроводной активации мигает зеленым, а затем переключается на красный цвет. После этого нажмите кнопку беспроводной активации на инструменте таким же образом.

- Рис.84: 1. Кнопка беспроводной активации
2. Лампа беспроводной активации

Если отмена выполнена успешно, лампы беспроводной активации загорятся красным цветом на 2 секунды и начнут мигать синим цветом.

ПРИМЕЧАНИЕ: По истечении 20 секунд лампы беспроводной активации прекращают мигать красным цветом. Если на пылесосе мигает лампа беспроводной активации, нажмите кнопку беспроводной активации на инструменте. Если лампа беспроводной активации не мигает красным цветом, нажмите кнопку беспроводной активации на короткое время, а затем снова удерживайте ее.

Поиск и устранение неисправностей для функции беспроводной активации

Прежде чем обращаться по поводу ремонта, проведите осмотр самостоятельно. Если обнаружена неисправность, не указанная в руководстве, не пытайтесь разобрать инструмент. Обратитесь в один из авторизованных сервисных центров Makita, в которых для ремонта всегда используются оригинальные детали Makita.

Состояние неисправности	Возможная причина (неисправности)	Способ устранения
Лампа беспроводной активации не горит/мигает.	Беспроводной блок не установлен в инструмент. Беспроводной блок неправильно установлен в инструмент.	Правильно установите беспроводной блок.
	Грязь на клемме беспроводного блока и/или гнезда.	Аккуратно вытрите пыль и грязь на клемме беспроводного блока и очистите гнездо.
	Не нажата кнопка беспроводной активации на инструменте.	На короткое время нажмите кнопку беспроводной активации на инструменте.
	Выключатель режима ожидания на пылесосе не установлен в положение «АUTO» (автоматический).	Установите выключатель режима ожидания на пылесосе в положение «АUTO» (автоматический).
	Отсутствует электропитание	Подайте питание на инструмент и пылесос.
Не удается успешно завершить регистрацию/отмену регистрации инструмента.	Беспроводной блок не установлен в инструмент. Беспроводной блок неправильно установлен в инструмент.	Правильно установите беспроводной блок.
	Грязь на клемме беспроводного блока и/или гнезда.	Аккуратно вытрите пыль и грязь на клемме беспроводного блока и очистите гнездо.
	Выключатель режима ожидания на пылесосе не установлен в положение «АUTO» (автоматический).	Установите выключатель режима ожидания на пылесосе в положение «АUTO» (автоматический).
	Отсутствует электропитание	Подайте питание на инструмент и пылесос.
	Неверная операция	На короткое время нажмите кнопку беспроводной активации и снова выполните процедуру регистрации/отмены.
	Большое расстояние между инструментом и пылесосом (вне диапазона передачи).	Расположите инструмент и пылесос ближе друг к другу. Максимальное расстояние передачи составляет приблизительно 10 м, однако оно может изменяться в зависимости от обстоятельств.
	Перед завершением регистрации инструмента/отменой; - выключатель инструмента переведен в положение «On» (Вкл.); или - кнопка питания на пылесосе переведена в положение «On» (Вкл.).	На короткое время нажмите кнопку беспроводной активации и снова выполните процедуру регистрации/отмены.
	Процедура регистрации инструмента для инструмента или пылесоса не завершена.	Одновременно выполните процедуры регистрации инструмента для инструмента и для пылесоса.
Радиопомехи от других приборов, которые генерируют радиоволны высокой интенсивности.	Избегайте эксплуатации инструмента и пылесоса рядом с такими приборами, как устройства Wi-Fi и микроволновые печи.	

Состояние неисправности	Возможная причина (неисправности)	Способ устранения
Пылесос не работает при использовании переключателя инструмента.	Беспроводной блок не установлен в инструмент. Беспроводной блок неправильно установлен в инструмент.	Правильно установите беспроводной блок.
	Грязь на клемме беспроводного блока и/или гнезда.	Аккуратно вытрите пыль и грязь на клемме беспроводного блока и очистите гнездо.
	Не нажата кнопка беспроводной активации на инструменте.	На короткое время нажмите кнопку беспроводной активации и убедитесь в том, что лампа беспроводной активации мигает синим цветом.
	Выключатель режима ожидания на пылесосе не установлен в положение «АУТО» (автоматический).	Установите выключатель режима ожидания на пылесосе в положение «АУТО» (автоматический).
	В пылесосе зарегистрировано более 10 инструментов.	Выполните повторную регистрацию инструмента. Если в пылесосе зарегистрировано более 10 инструментов, инструмент, зарегистрированный самым первым, будет автоматически отменен.
	Пылесос удалил все записи регистрации инструментов.	Выполните повторную регистрацию инструмента.
	Отсутствует электропитание	Подайте питание на инструмент и пылесос.
	Большое расстояние между инструментом и пылесосом (вне диапазона передачи).	Расположите инструмент и пылесос ближе друг к другу. Максимальное расстояние передачи составляет приблизительно 10 м, однако оно может изменяться в зависимости от обстоятельств.
	Радиопомехи от других приборов, которые генерируют радиоволны высокой интенсивности.	Избегайте эксплуатации инструмента и пылесоса рядом с такими приборами, как устройства Wi-Fi и микроволновые печи.
Пылесос работает в то время, когда инструмент не работает.	Другие пользователи используют беспроводную активацию пылесоса с помощью своих инструментов.	Отключите кнопку беспроводной активации других инструментов или отмените регистрацию инструмента для других инструментов.

ОБСЛУЖИВАНИЕ

▲ ВНИМАНИЕ: Перед проведением проверки или работ по техобслуживанию всегда проверяйте, что инструмент выключен, а блок аккумуляторов снят.

ПРИМЕЧАНИЕ: Запрещается использовать бензин, растворители, спирт и другие подобные жидкости. Это может привести к обесцвечиванию, деформации и трещинам.

Для обеспечения БЕЗОПАСНОСТИ и НАДЕЖНОСТИ оборудования ремонт, любое другое техобслуживание или регулировку необходимо производить в уполномоченных сервис-центрах Makita или сервис-центрах предприятия с использованием только сменных частей производства Makita.

ФРЕЗЫ ДЛЯ ТРИММЕРА

Дополнительная принадлежность

Прямая фреза

► Рис.85

D	A	L1	L2
6	20	50	15
6	6	50	18
6	8	50	18
8	8	60	25
1/4 дюйма	20	50	15
1/4 дюйма	6	50	18
1/4 дюйма	8	50	18

Единица: мм

U-образная фреза

► Рис.86

D	A	L1	L2	R
6	6	50	18	3
1/4 дюйма	6	50	18	3

Единица: мм

V-образная фреза

► Рис.87

D	A	L1	L2	θ
6	20	50	15	90°
1/4 дюйма	20	50	15	90°

Единица: мм

Фреза для обрезки кромок точек сверления заподлицо

► Рис.88

D	A	L1	L2	L3
6	6	60	18	28
8	8	60	20	35
1/4 дюйма	6	60	18	28

Единица: мм

Фреза для двойной обрезки кромок точек сверления заподлицо

► Рис.89

D	A	L1	L2	L3	L4
6	6	70	40	12	14
8	8	80	55	20	25
1/4 дюйма	6	70	40	12	14

Единица: мм

Фреза для закругления углов

► Рис.90

D	A1	A2	L1	L2	L3	R
6	25	9	48	13	5	8
6	20	8	45	10	4	4
1/4 дюйма	25	9	48	13	5	8
1/4 дюйма	20	8	45	10	4	4

Единица: мм

Фреза для снятия фасок

► Рис.91

D	A	L1	L2	L3	θ
6	23	46	11	6	30°
6	20	50	13	5	45°
6	20	49	14	2	60°
1/4 дюйма	23	46	11	6	30°
1/4 дюйма	20	48	13	5	45°
1/4 дюйма	20	49	14	2	60°

Единица: мм

Фреза для выкружки

► Рис.92

D	A	L1	L2	R
6	20	43	8	4
6	25	48	13	8
1/4 дюйма	20	43	8	4
1/4 дюйма	25	48	13	8

Единица: мм

Фреза типа «ласточкин хвост»

► Рис.93

D	A	L1	L2	θ
8	12	50	9	30°
8	14,5	55	10	35°
8	14,5	55	14,5	23°
1/4 дюйма	12	50	9	30°
1/4 дюйма	14,5	55	10	35°
1/4 дюйма	14,5	55	14,5	23°

Единица: мм

Подшипниковая фреза для обрезки кромок заподлицо

► Рис.94

D	A	L1	L2
6	10	50	20
1/4 дюйма	10	50	20

Единица: мм

Подшипниковая фреза для забортовки

► Рис.95

D	A1	A2	A3	L1	L2	L3	R
6	20	12	8	40	10	5,5	4
6	26	12	8	42	12	4,5	7
1/4 дюйма	20	12	8	40	10	5,5	4
1/4 дюйма	26	12	8	42	12	4,5	7

Единица: мм

Подшипниковая фреза для закругления углов

► Рис.96

D	A1	A2	L1	L2	L3	R
6	15	8	37	7	3,5	3
6	21	8	40	10	3,5	6
1/4 дюйма	15	8	37	7	3,5	3
1/4 дюйма	21	8	40	10	3,5	6

Единица: мм

Подшипниковая фреза для снятия фасок

► Рис.97

D	A1	A2	L1	L2	θ
6	26	8	42	12	45°
6	20	8	41	11	60°
1/4 дюйма	26	8	42	12	45°
1/4 дюйма	20	8	41	11	60°

Единица: мм

Подшипниковая фреза для выкружки

► Рис.98

D	A1	A2	A3	A4	L1	L2	L3	R
6	20	18	12	8	40	10	5,5	3
6	26	22	12	8	42	12	5	5
1/4 дюйма	20	18	12	8	40	10	5,5	3
1/4 дюйма	26	22	12	8	42	12	5	5

Единица: мм

Подшипниковая фреза для S-образного профиля

► Рис.99

D	A1	A2	L1	L2	L3	R1	R2
6	20	8	40	10	4,5	2,5	4,5
6	26	8	42	12	4,5	3	6
1/4 дюйма	20	8	40	10	4,5	2,5	4,5
1/4 дюйма	26	8	42	12	4,5	3	6

Единица: мм

ДОПОЛНИТЕЛЬНЫЕ ПРИНАДЛЕЖНОСТИ

ВНИМАНИЕ: Данные принадлежности или приспособления рекомендуются для использования с инструментом Makita, указанным в настоящем руководстве. Использование других принадлежностей или приспособлений может привести к получению травмы. Используйте принадлежность или приспособление только по указанному назначению.

Если вам необходимо содействие в получении дополнительной информации по этим принадлежностям, свяжитесь с вашим сервис-центром Makita.

- Фрезы для прямых и криволинейных пазов
- Фрезы для образования кромок
- Фрезы для резки многослойных кромок
- Блок прямой направляющей
- Блок кромкообрезной направляющей
- Комплект основания для фрезера
- Комплект основания для триммера (пластмасса)
- Комплект основания для фрезерования под наклоном
- Комплект основания для погружного фрезерования
- Комплект основания для криволинейного фрезерования
- Крепление рукоятки
- Профильная направляющая
- Цанговый конус
- Гаечный ключ 13
- Гаечный ключ 22
- Беспроводной блок
- Оригинальный аккумулятор и зарядное устройство Makita

ПРИМЕЧАНИЕ: Некоторые элементы списка могут входить в комплект инструмента в качестве стандартных приспособлений. Они могут отличаться в зависимости от страны.

Подходящие принадлежности для данного триммера

Данный инструмент может использоваться со следующими принадлежностями для различных целей. Некоторые принадлежности не поставляются в вашу страну.

► Рис.100

1. **Основание триммера** (металл)
2. **Основание триммера** (полимер)
Четкая видимость выреза.
3. **Основание для фрезерования под наклоном**
4. **Основание для смещения фрезы**
5. **Основание для погружного фрезерования**
6. **Крепление рукоятки**
7. **Профильная направляющая**
8. **Прямая направляющая**
9. **Кромкообрезная направляющая**
10. **Башмак триммера**
Обеспечивает возможность точной обработки краев. *Применять с деталями кромкообрезной направляющей.
11. **Пылесборный патрубок**
12. **Плита основания** (металл)
13. **Квадратная плита основания** (плита основания для фрезерования под наклоном)
14. **Пластина основания для смещения фрезы** (опорная пластина основания для смещения фрезы)
При использовании пластины основания для смещения фрезы с креплением рукоятки рукоятка может быть прикреплена.
15. **Плита основания** (полимер)
16. **Основание рукоятки**
17. **Стержневая рукоятка**
18. **Круглая рукоятка** (рукоятка основания для погружного фрезерования)
19. **Пылесборный патрубок** для основания для погружного фрезерования
20. **Профильная направляющая** для основания для погружного фрезерования
21. **Держатель направляющей**
Позволяет использовать прямую направляющую для основания триммера на основании для погружного фрезерования.
22. **Параллельный упор**
Функция точной регулировки при позиционировании.
23. **Параллельный упор**
24. **Адаптер направляющего рельса**
25. **Направляющий рельс**
Для точной прямой резки.
26. **Направляющая для снятия фаски**
Для регулировки угла направляющего рельса.
27. **Соединитель направляющего рельса** (2 шт.)
Для соединения двух направляющих рельсов.
28. **Зажим** (стандартного типа)
Для фиксации направляющего рельса.
29. **Зажим** (быстродействующего типа)
Для фиксации направляющего рельса.
30. **Опора**
Запасные части направляющего рельса для верхней пластмассовой ленты.

31. **Резиновая опора**
Запасные части направляющего рельса для нижней резиновой ленты.
32. **Позиционирующая опора**
Запасные части направляющего рельса для позиционирующей опоры.

► Рис.101

Makita Europe N.V. Jan-Baptist Vinkstraat 2,
3070 Kortenberg, Belgium

Makita Corporation 3-11-8, Sumiyoshi-cho,
Anjo, Aichi 446-8502 Japan

www.makita.com

885945-986
EN, SV, NO, FI, DA,
LV, LT, ET, RU
20210924