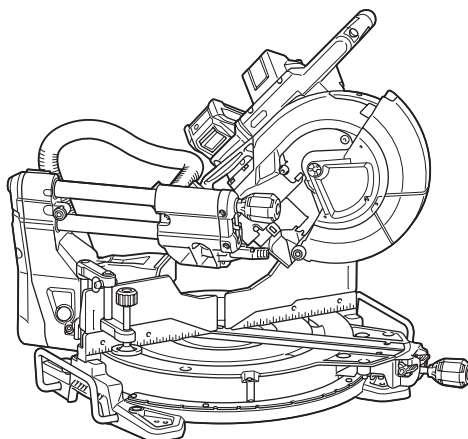




EN	Cordless Slide Compound Miter Saw	INSTRUCTION MANUAL	19
SV	Batteridrivnen skjutbar kap- och geringskombinationssåg	BRUKSANVISNING	41
NO	Batteridrevet skyvbar gjæringssag for kombinasjonssaging	BRUKSANVISNING	63
FI	Akkukäyttöinen liukujiirisaha	KÄYTTÖOHJE	85
DA	Kombineret afkorter-geringssav med akku	BRUGSANVISNING	107
LV	Bezvadu slīdrāmja kombinētais lenķzāģis	LIETOŠANAS INSTRUKCIJA	129
LT	Akumuliatorinės kombinuotosios nuleidžiamos skersavimo ir kampų suleidimo staklės	NAUDOJIMO INSTRUKCIJA	152
ET	Juhtmeta liuglõike eerungisaag	KASUTUSJUHEND	175
RU	Аккумуляторная Торцовочная Пила Консольного Типа	РУКОВОДСТВО ПО ЭКСПЛУАТАЦИИ	197

LS004G



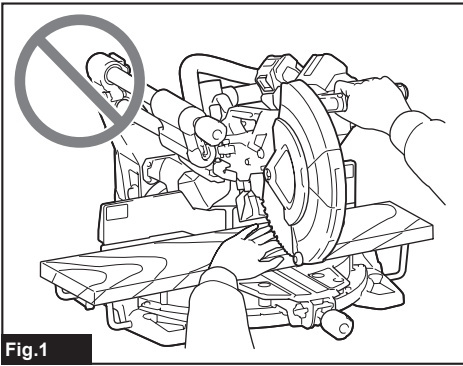


Fig.1

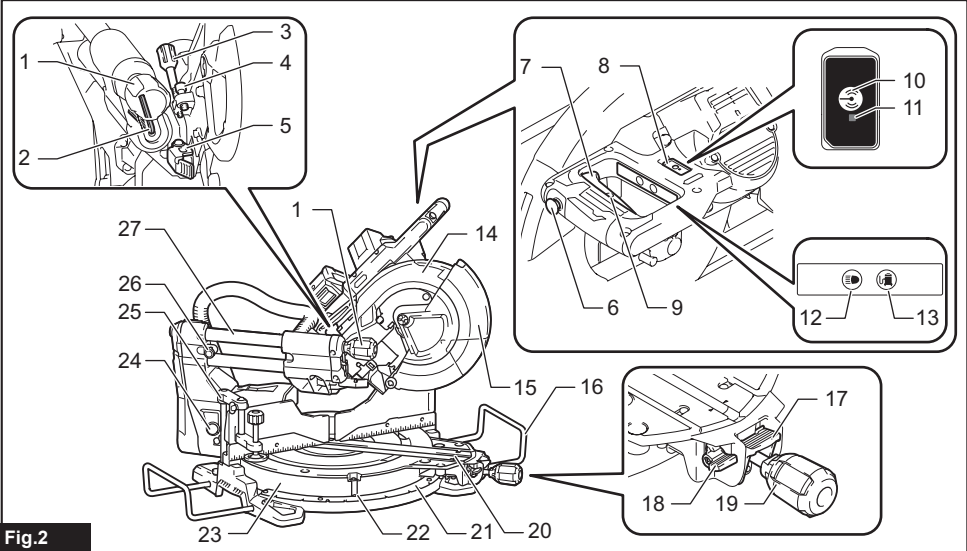


Fig.2

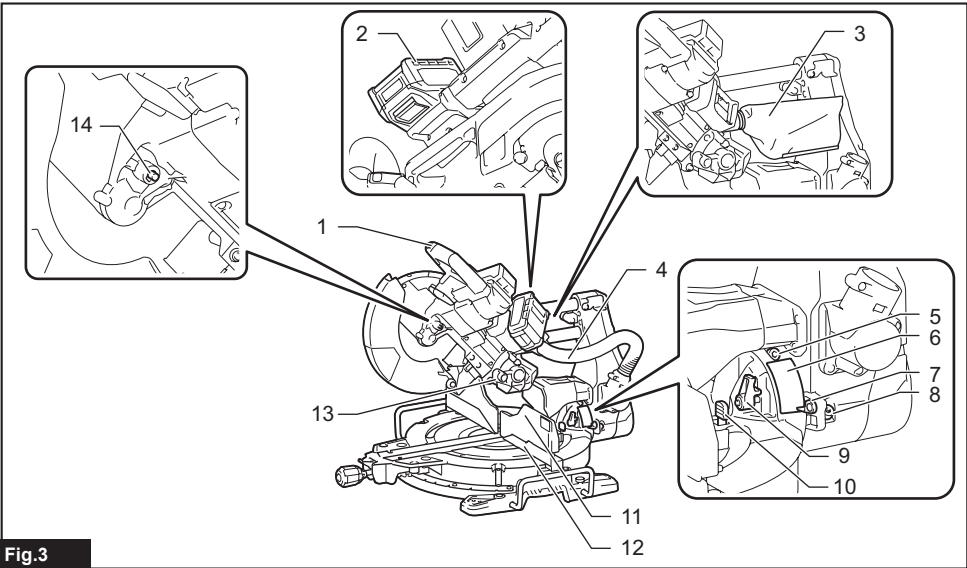


Fig.3

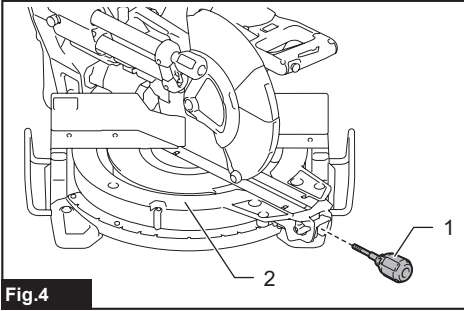


Fig.4

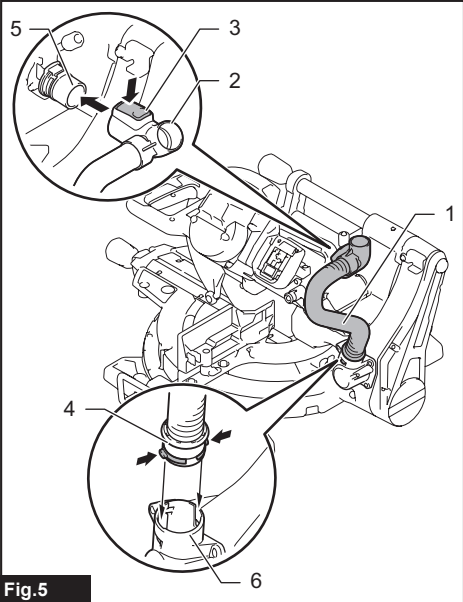


Fig.5

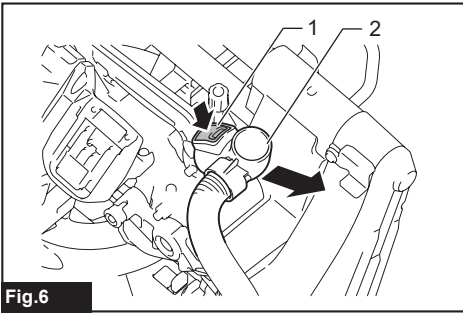


Fig.6

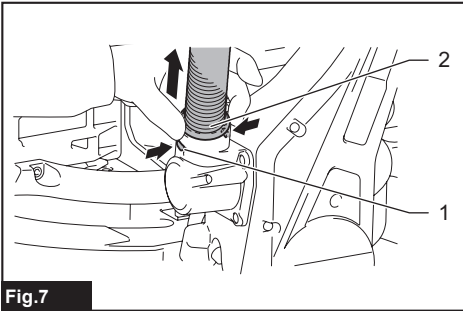


Fig.7

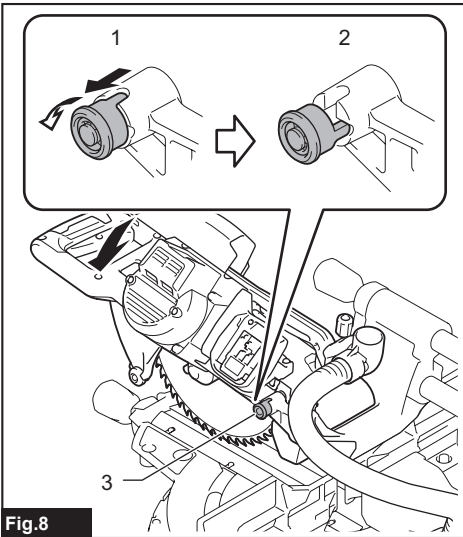


Fig.8

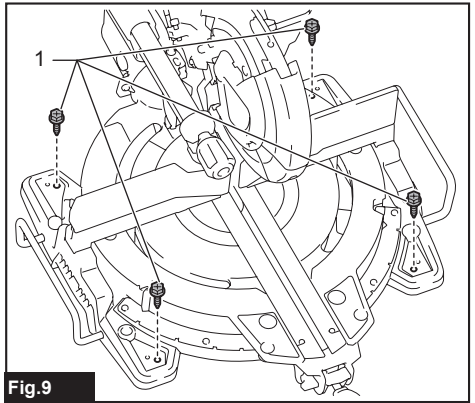


Fig.9

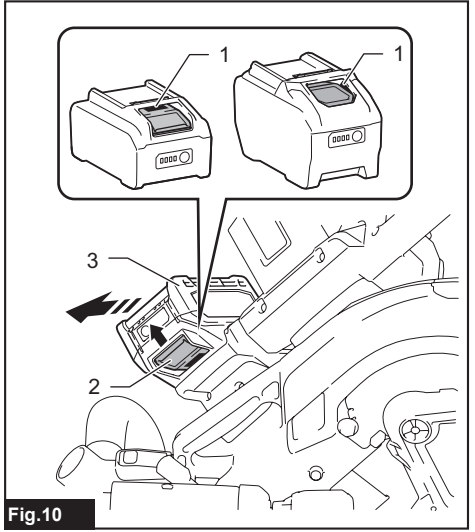


Fig.10

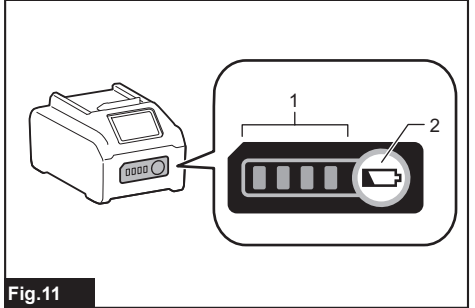


Fig.11

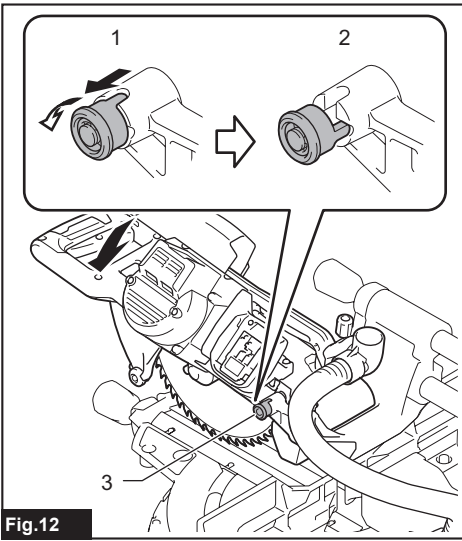


Fig.12

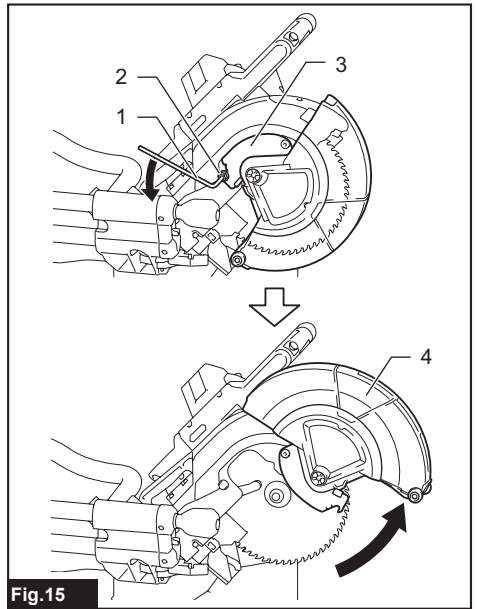


Fig.15

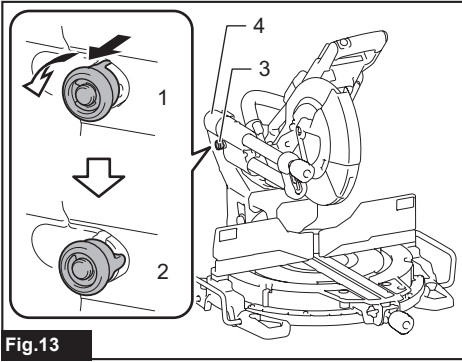


Fig.13

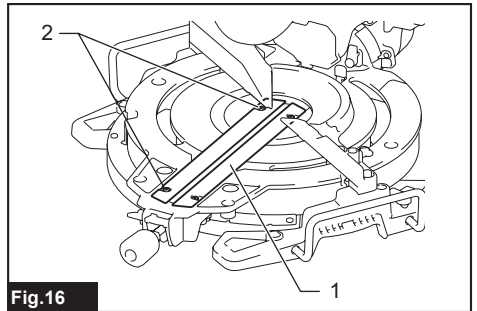


Fig.16

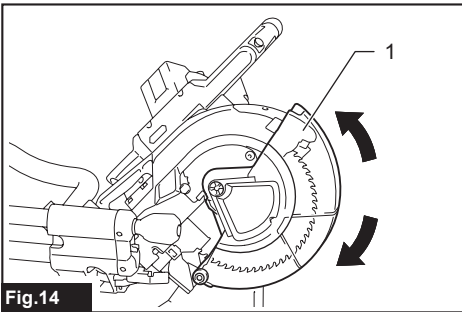


Fig.14

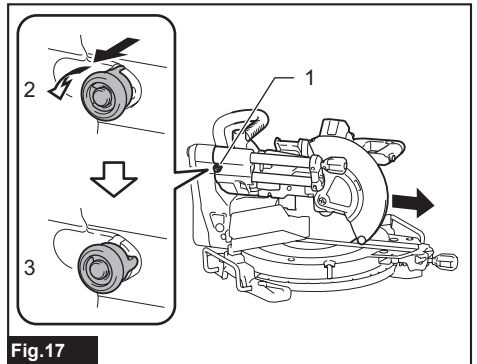


Fig.17

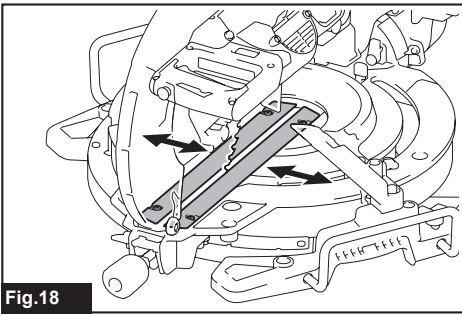


Fig.18

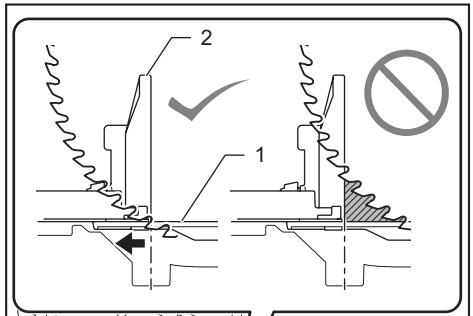


Fig.22

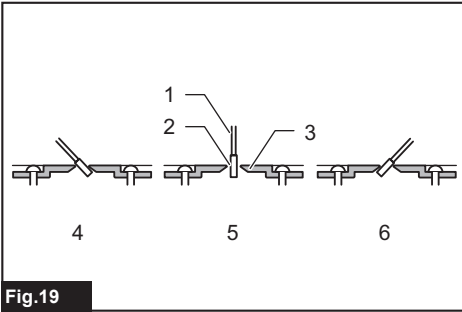


Fig.19

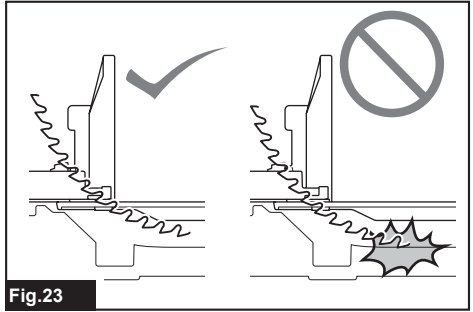
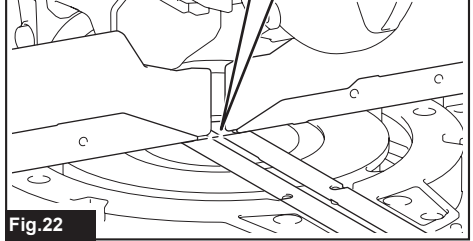


Fig.23

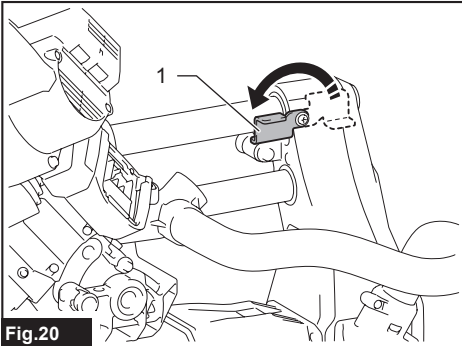


Fig.20

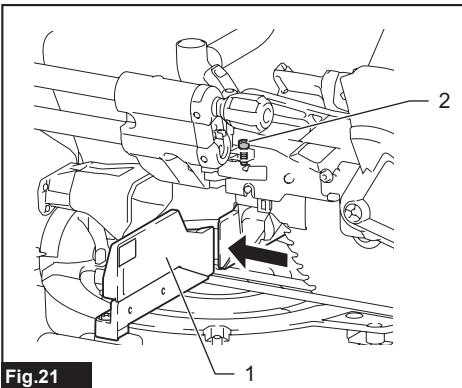


Fig.21

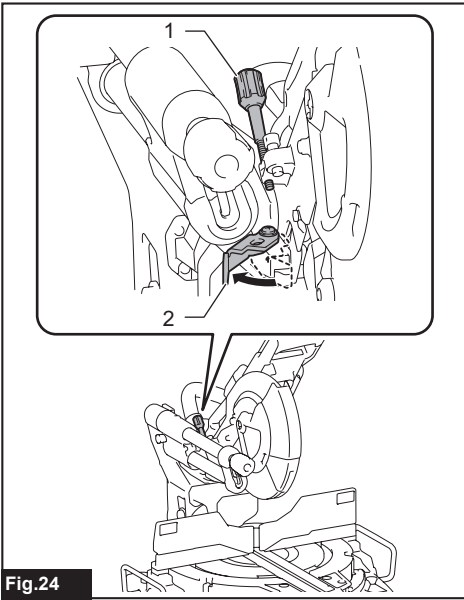


Fig.24

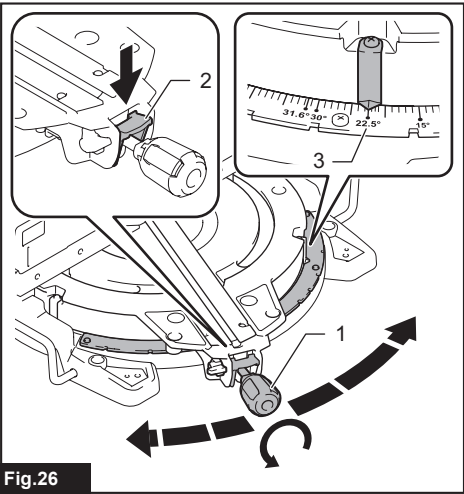


Fig.26

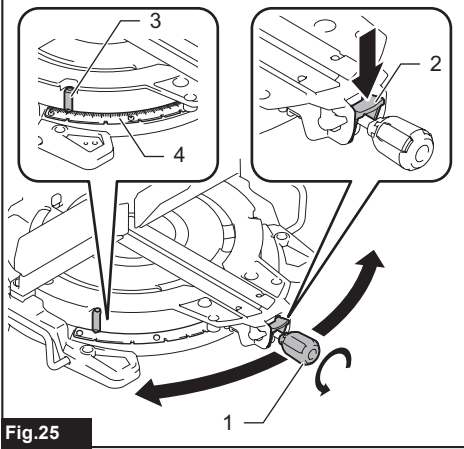


Fig.25

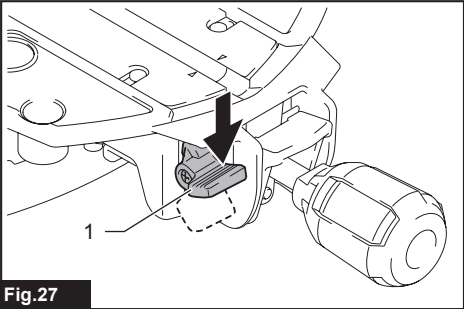


Fig.27

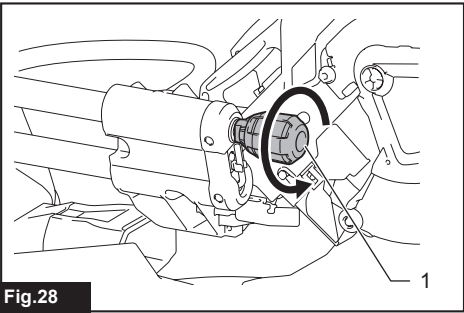
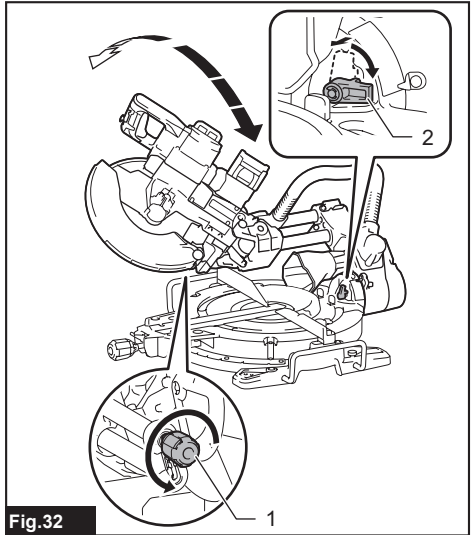
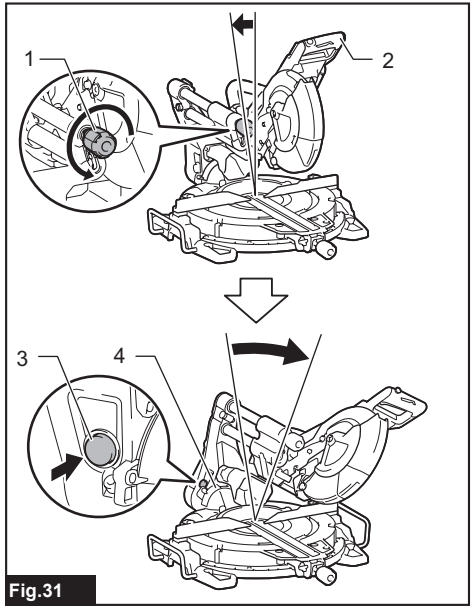
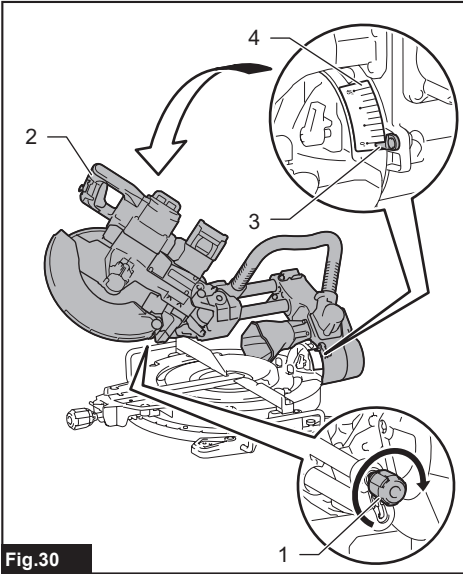
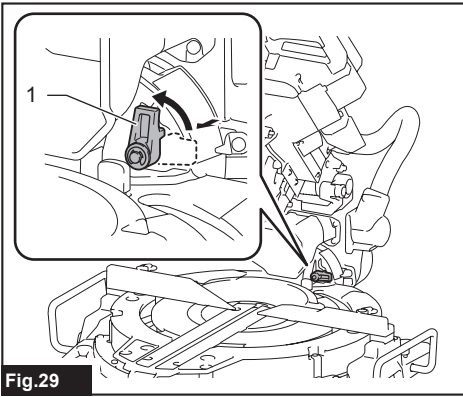
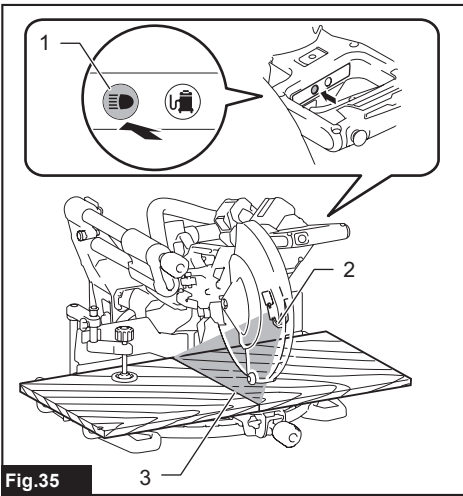
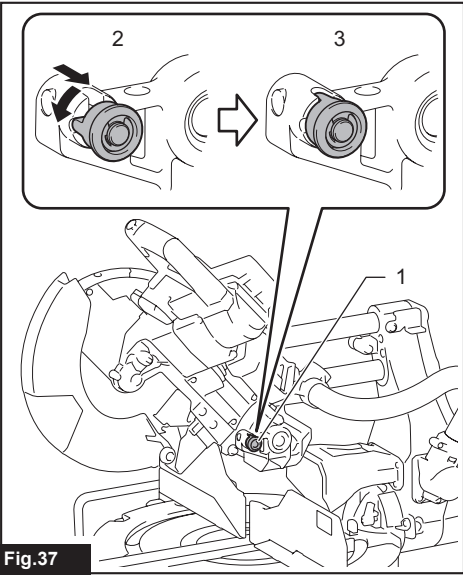
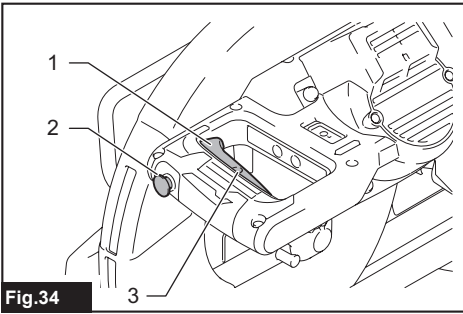
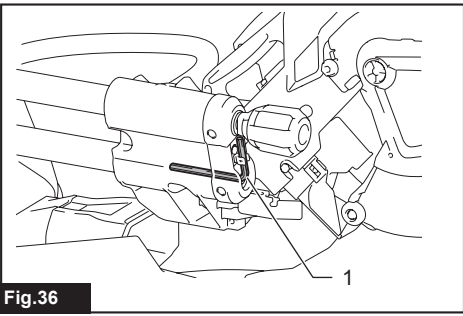
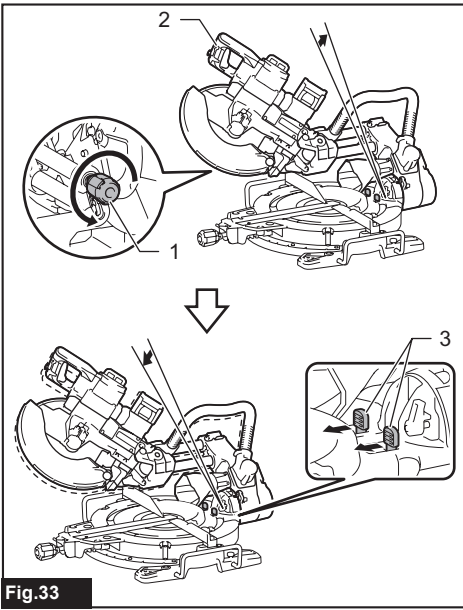


Fig.28





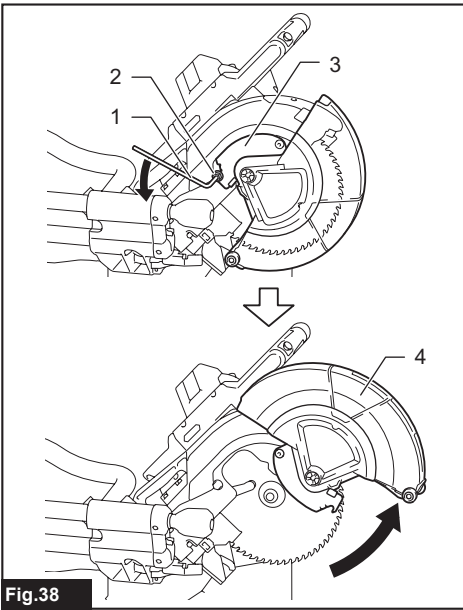


Fig. 38

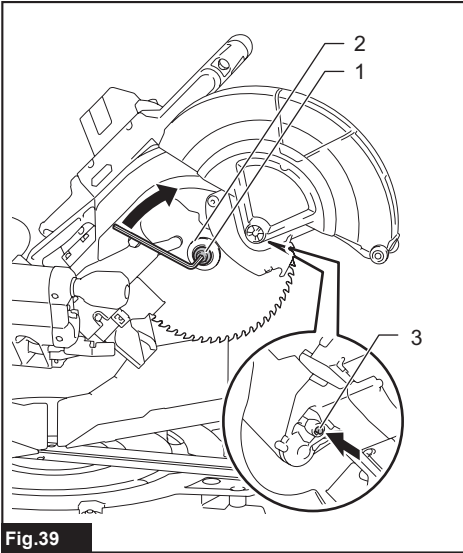


Fig. 39

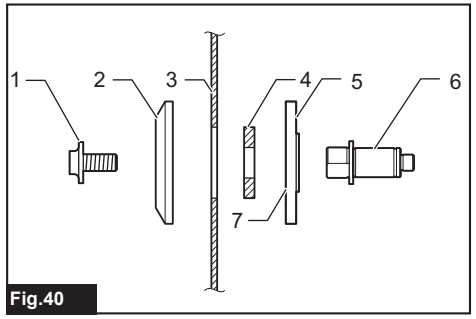


Fig. 40

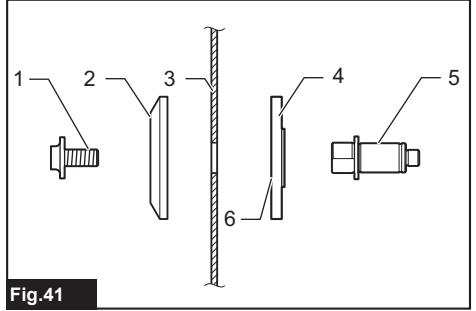


Fig. 41

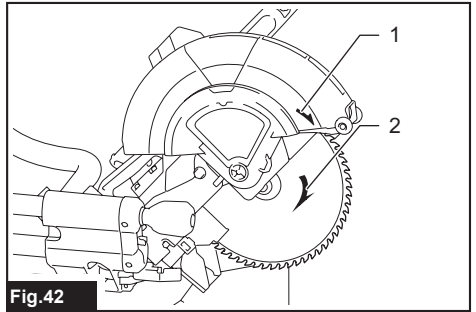


Fig. 42

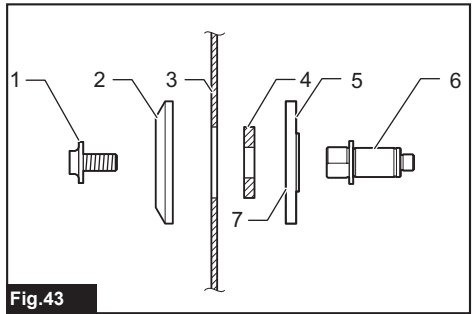


Fig. 43

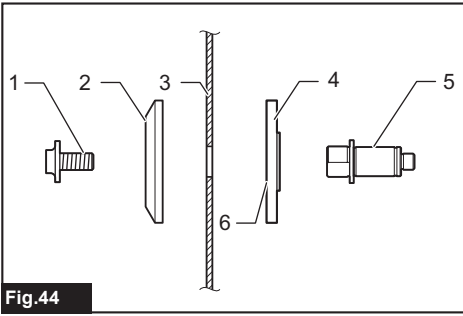


Fig.44

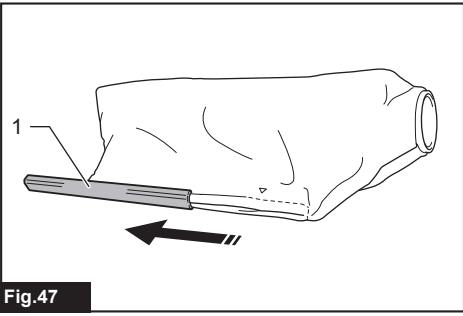


Fig.47

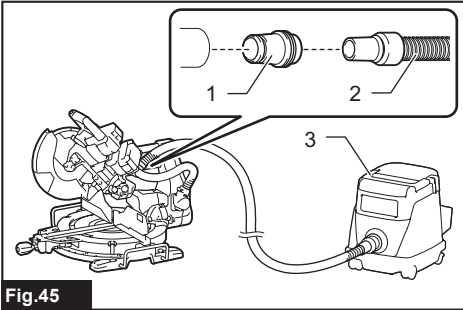


Fig.45

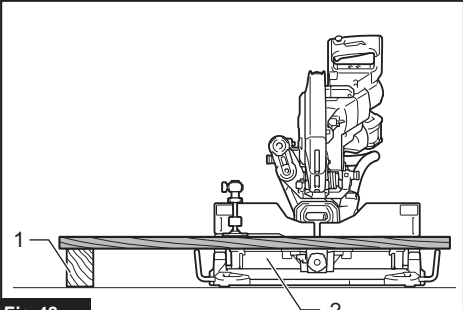


Fig.48

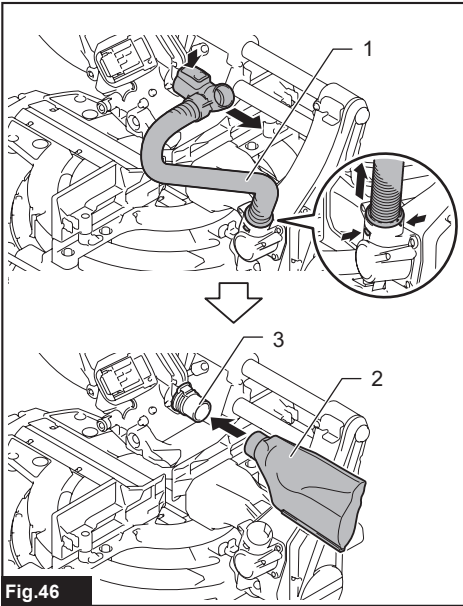


Fig.46

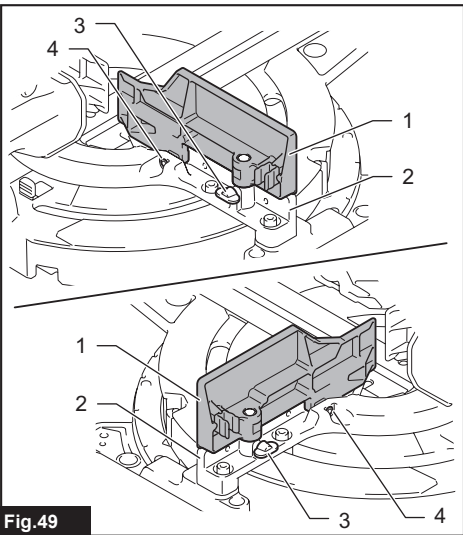


Fig.49

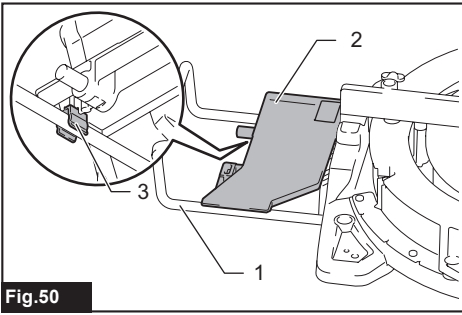


Fig.50

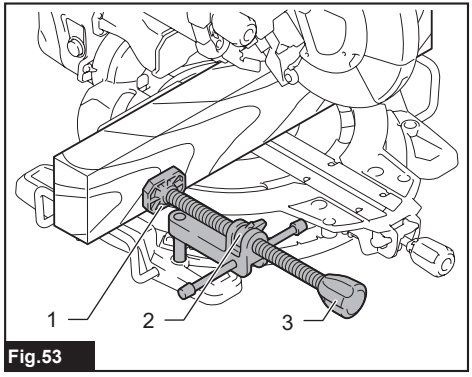


Fig.53

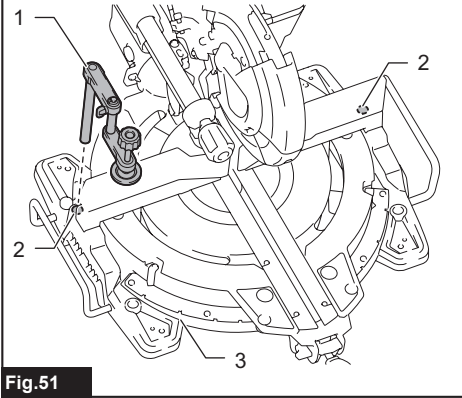


Fig.51

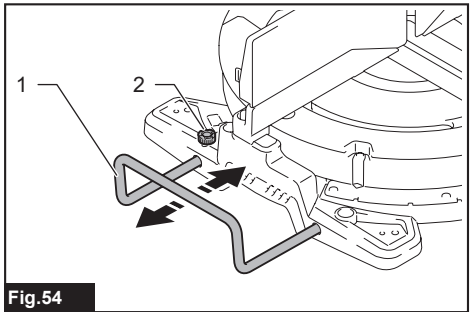


Fig.54

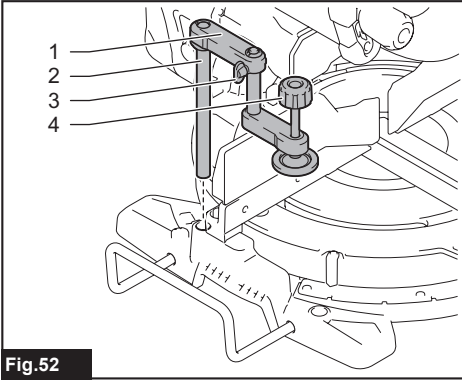


Fig.52

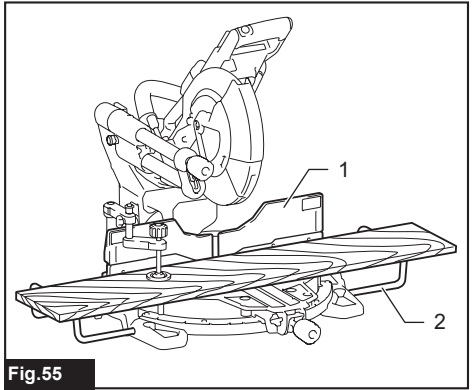


Fig.55

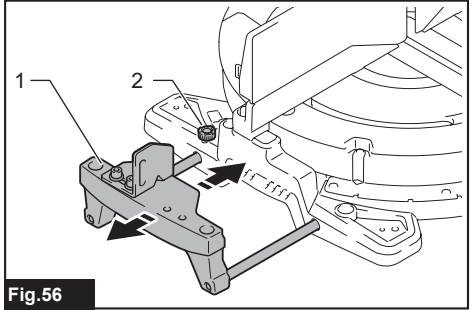


Fig.56

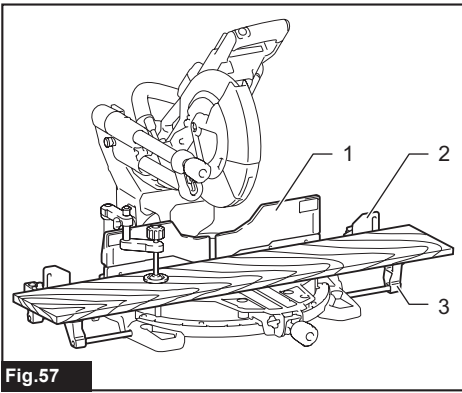


Fig.57

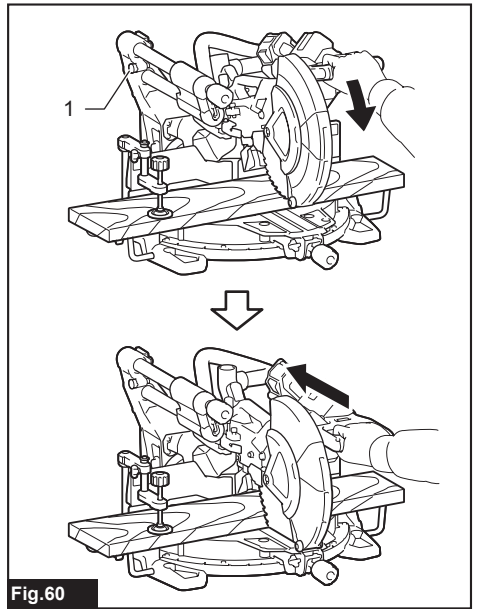


Fig.60

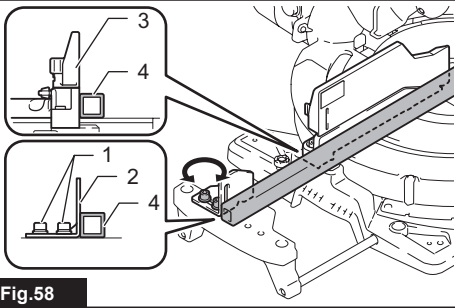


Fig.58

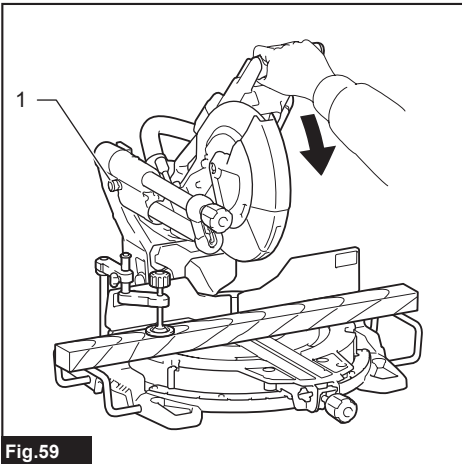


Fig.59

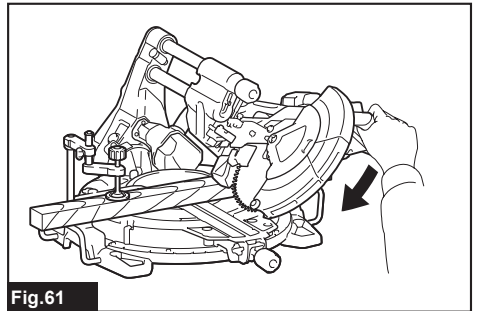


Fig.61

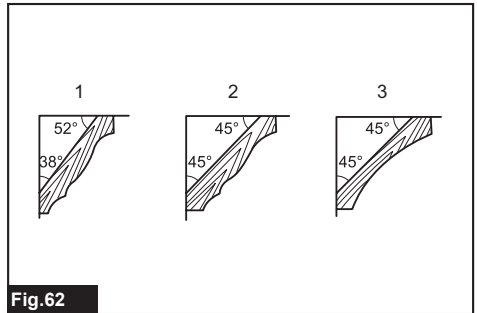


Fig.62

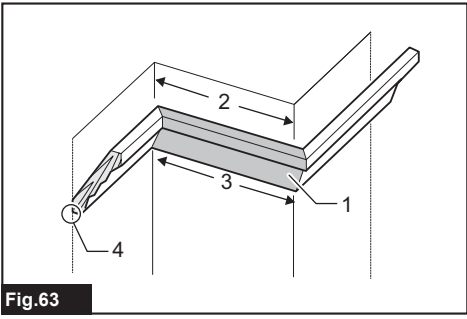


Fig.63

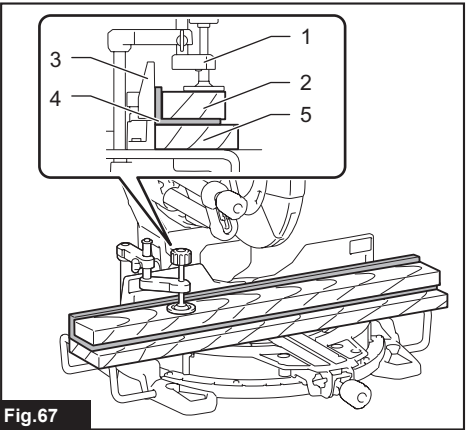


Fig.67

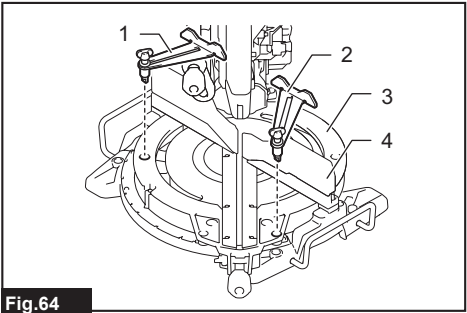


Fig.64

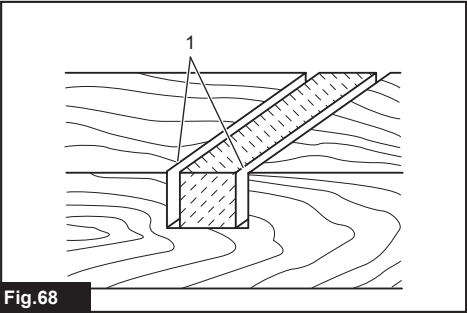


Fig.68

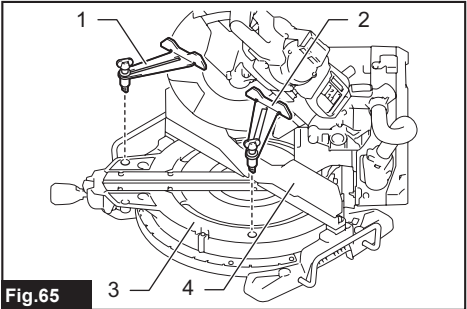


Fig.65

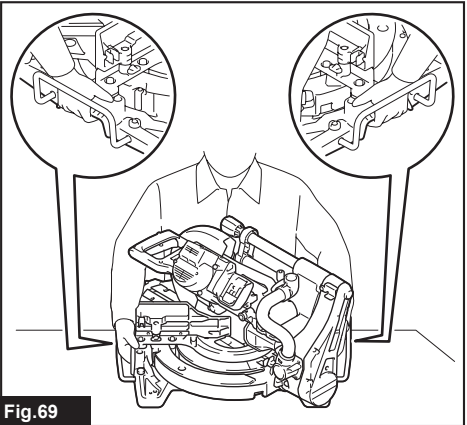


Fig.69

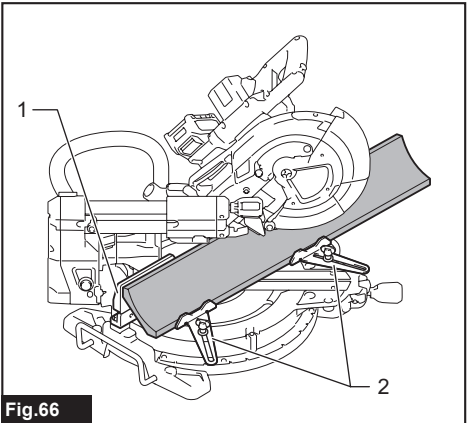


Fig.66

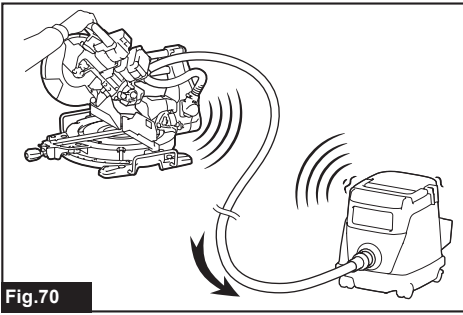


Fig.70

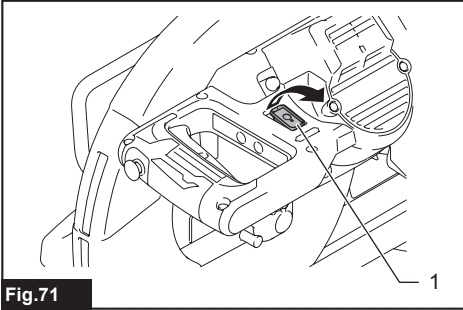


Fig.71

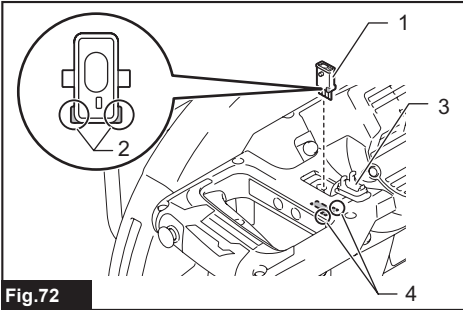


Fig.72

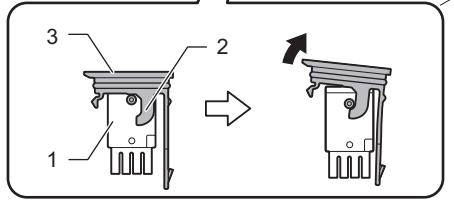
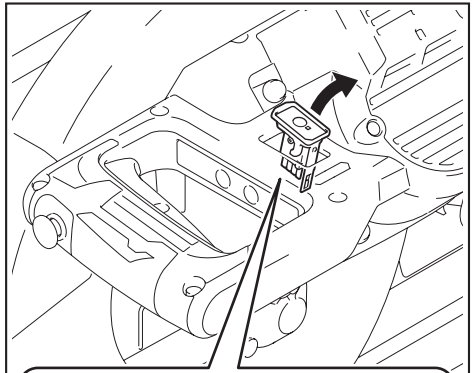


Fig.73

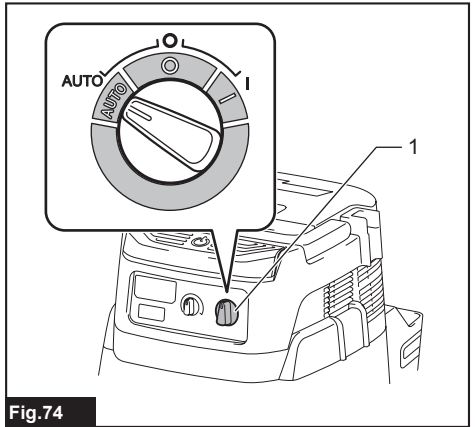


Fig.74

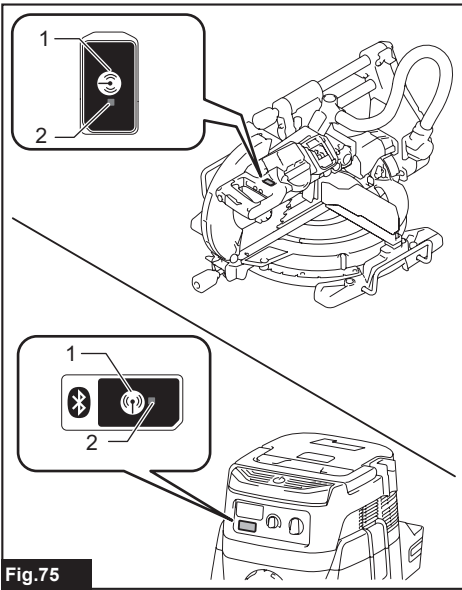


Fig. 75

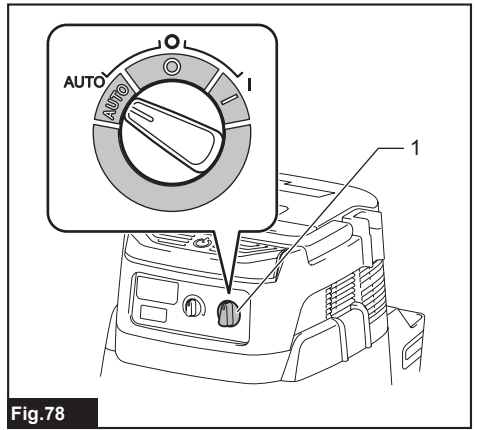


Fig. 78

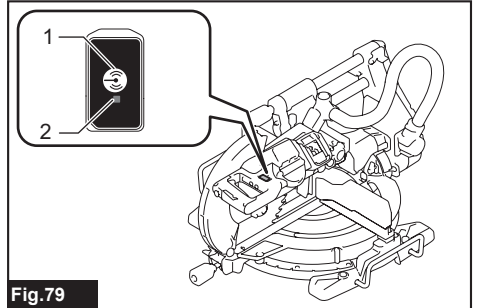


Fig. 79

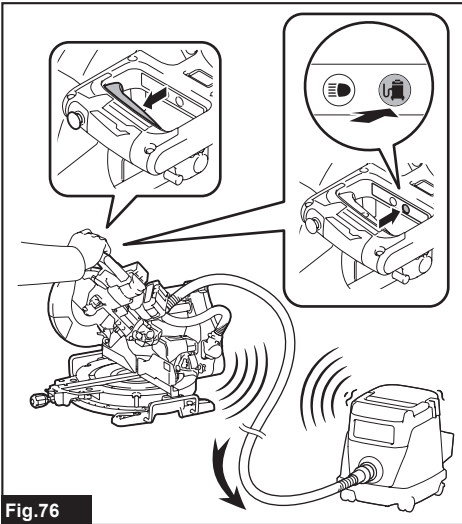


Fig. 76

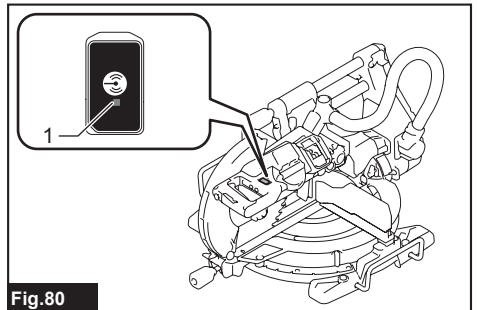


Fig. 80

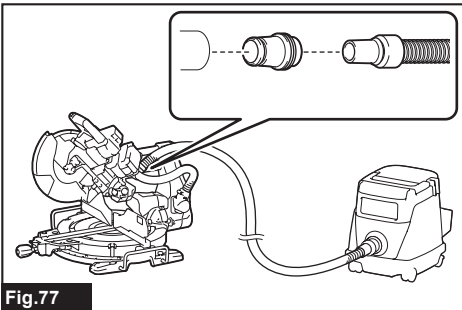


Fig. 77

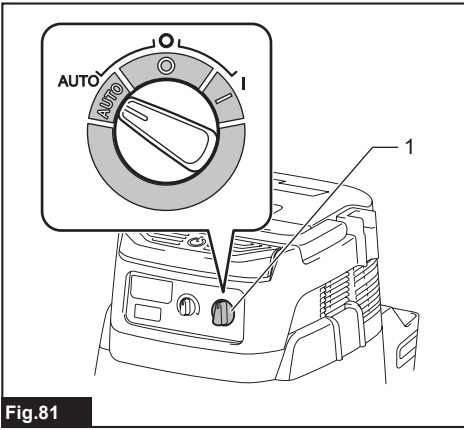


Fig.81

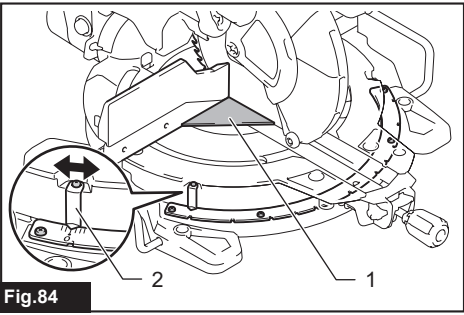


Fig.84

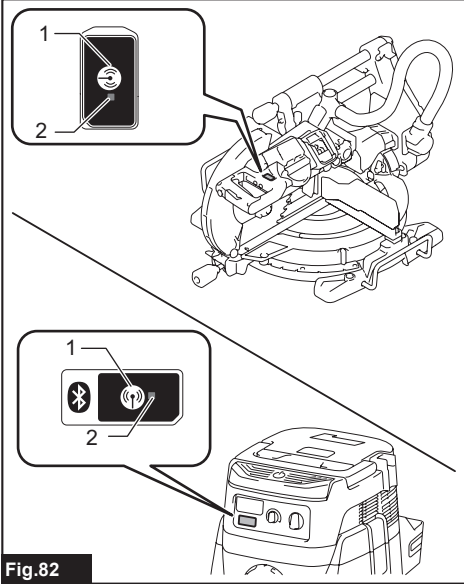


Fig.82

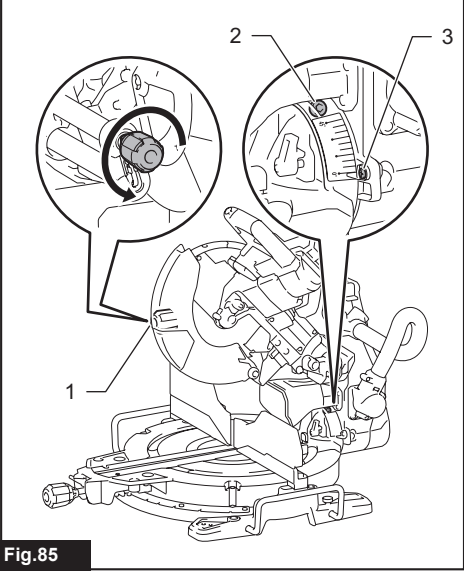


Fig.85

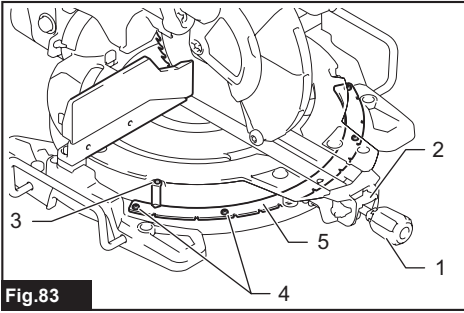


Fig.83

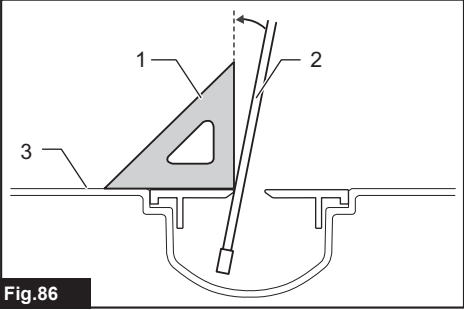


Fig.86

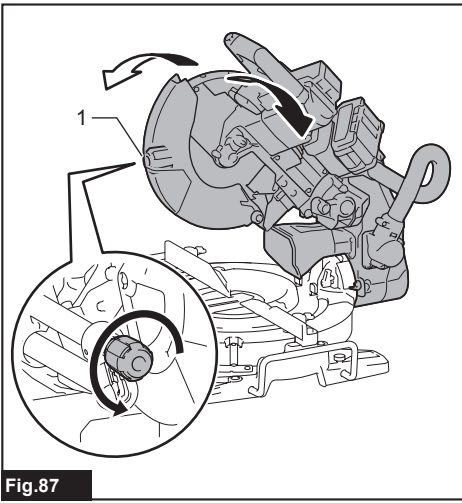


Fig.87

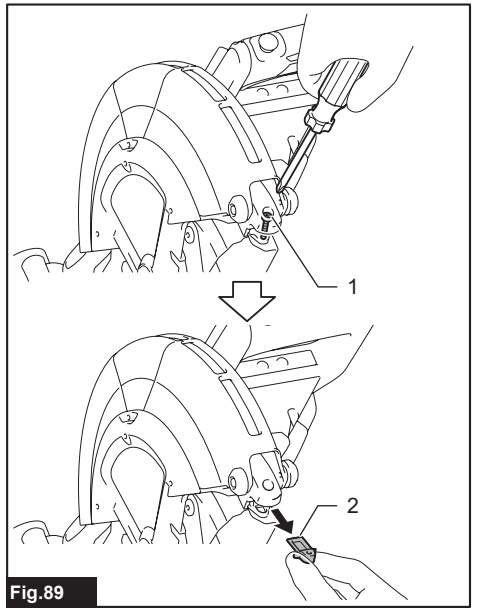


Fig.89

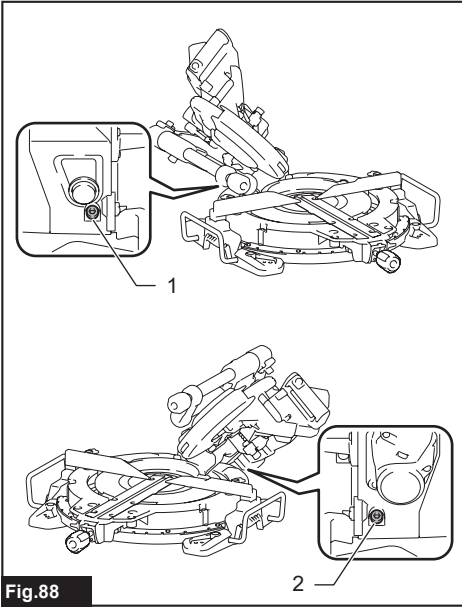


Fig.88

SPECIFICATIONS

Model:		LS004G
Blade diameter	European countries	260 mm
	Countries other than Europe	255 mm - 260 mm
Hole diameter	European countries	30 mm
	Countries other than Europe (country specific)	15.88 mm / 25.4 mm / 30 mm
Max. kerf thickness of the saw blade		3.2 mm
Max. miter angle		Right 60°, Left 60°
Max. bevel angle		Right 48°, Left 48°
No load speed (RPM)		3,600 min ⁻¹
Dimensions (L x W x H)		805 mm x 644 mm x 660 mm
Rated voltage		D.C. 36 V - 40 V max
Net weight		26.6 - 27.2 kg

Cutting capacities (H x W)

Miter angle	Bevel angle		
	45° (left)	0°	45° (right)
0°	42 mm x 310 mm 58 mm x 279 mm	68 mm x 310 mm 91 mm x 279 mm	29 mm x 310 mm 43 mm x 279 mm
45° (right and left)	42 mm x 218 mm 58 mm x 197 mm	68 mm x 218 mm 91 mm x 197 mm	29 mm x 218 mm 43 mm x 197 mm
60° (right and left)	-	68 mm x 155 mm 91 mm x 139 mm	-

Cutting capacities for special cuttings

Type of cutting	Cutting capacity
Crown molding 45° type (with crown molding stopper used)	168 mm
Base board (with horizontal vise used)	133 mm

- Due to our continuing program of research and development, the specifications herein are subject to change without notice.
- Specifications may differ from country to country.
- The weight may differ depending on the attachment(s), including the battery cartridge. The lightest and heaviest combination, according to EPTA-Procedure 01/2014, are shown in the table.

Applicable battery cartridge and charger













Battery cartridge	BL4020 / BL4025 / BL4040* / BL4050F* * : Recommended battery
Charger	DC40RA / DC40RB / DC40RC

- Some of the battery cartridges and chargers listed above may not be available depending on your region of residence.

⚠ WARNING: Only use the battery cartridges and chargers listed above. Use of any other battery cartridges and chargers may cause injury and/or fire.

Symbols

The followings show the symbols which may be used for the equipment. Be sure that you understand their meaning before use.

	Read instruction manual.
	Wear safety glasses.
	To avoid injury from flying debris, keep holding the saw head down, after making cuts, until the blade has come to a complete stop.
	When performing bevel cut, first turn the knob counterclockwise and then tilt the carriage. After that, turn the knob clockwise to tighten.
	When performing slide cut, first pull carriage fully and press down handle, then push carriage toward the guide fence.
	Hold down the releasing button when tilting the carriage to the right.
	Engage the stopper lever when cutting a base board in 45° miter angle.
	Do not place hand or fingers close to the blade.
	Do not stare at operating lamp.
	A: Blade diameter B: Hole diameter
	Do not install the horizontal vise to the same direction as the miter cutting. (This symbol is applied on the horizontal vise)
	Only for EU countries Due to the presence of hazardous components in the equipment, waste electrical and electronic equipment, accumulators and batteries may have a negative impact on the environment and human health. Do not dispose of electrical and electronic appliances or batteries with household waste! In accordance with the European Directive on waste electrical and electronic equipment and on accumulators and batteries and waste accumulators and batteries, as well as their adaptation to national law, waste electrical equipment, batteries and accumulators should be stored separately and delivered to a separate collection point for municipal waste, operating in accordance with the regulations on environmental protection. This is indicated by the symbol of the crossed-out wheeled bin placed on the equipment.

Intended use

The tool is intended for accurate straight and miter cutting in wood. With appropriate saw blades, aluminum can also be sawed.

Do not use the saw to cut other than wood, aluminum or similar materials.

Noise

The typical A-weighted noise level determined according to EN62841-3-9:

Sound pressure level (L_{pA}) : 91 dB(A)

Sound power level (L_{WA}) : 100 dB (A)

Uncertainty (K) : 3 dB(A)

NOTE: The declared noise emission value(s) has been measured in accordance with a standard test method and may be used for comparing one tool with another.

NOTE: The declared noise emission value(s) may also be used in a preliminary assessment of exposure.

⚠ WARNING: Wear ear protection.

⚠ WARNING: The noise emission during actual use of the power tool can differ from the declared value(s) depending on the ways in which the tool is used especially what kind of workpiece is processed.

⚠ WARNING: Be sure to identify safety measures to protect the operator that are based on an estimation of exposure in the actual conditions of use (taking account of all parts of the operating cycle such as the times when the tool is switched off and when it is running idle in addition to the trigger time).

EC Declaration of Conformity

For European countries only

The EC declaration of conformity is included as Annex A to this instruction manual.

SAFETY WARNINGS

General power tool safety warnings

⚠ WARNING: Read all safety warnings, instructions, illustrations and specifications provided with this power tool. Failure to follow all instructions listed below may result in electric shock, fire and/or serious injury.

Save all warnings and instructions for future reference.

The term "power tool" in the warnings refers to your mains-operated (corded) power tool or battery-operated (cordless) power tool.

Safety instructions for mitre saws

1. **Mitre saws are intended to cut wood or wood-like products, they cannot be used with abrasive cut-off wheels for cutting ferrous material such as bars, rods, studs, etc.** Abrasive dust causes moving parts such as the lower guard to jam. Sparks from abrasive cutting will burn the lower guard, the kerf insert and other plastic parts.

2. **Use clamps to support the workpiece whenever possible. If supporting the workpiece by hand, you must always keep your hand at least 100 mm from either side of the saw blade. Do not use this saw to cut pieces that are too small to be securely clamped or held by hand.** If your hand is placed too close to the saw blade, there is an increased risk of injury from blade contact.
3. **The workpiece must be stationary and clamped or held against both the fence and the table. Do not feed the workpiece into the blade or cut "freehand" in any way.** Unrestrained or moving workpieces could be thrown at high speeds, causing injury.
4. **Push the saw through the workpiece. Do not pull the saw through the workpiece. To make a cut, raise the saw head and pull it out over the workpiece without cutting, start the motor, press the saw head down and push the saw through the workpiece.** Cutting on the pull stroke is likely to cause the saw blade to climb on top of the workpiece and violently throw the blade assembly towards the operator.
5. **Never cross your hand over the intended line of cutting either in front or behind the saw blade.** Supporting the workpiece "cross handed" i.e. holding the workpiece to the right of the saw blade with your left hand or vice versa is very dangerous.

► **Fig.1**

6. **Do not reach behind the fence with either hand closer than 100 mm from either side of the saw blade, to remove wood scraps, or for any other reason while the blade is spinning.** The proximity of the spinning saw blade to your hand may not be obvious and you may be seriously injured.
7. **Inspect your workpiece before cutting. If the workpiece is bowed or warped, clamp it with the outside bowed face toward the fence. Always make certain that there is no gap between the workpiece, fence and table along the line of the cut.** Bent or warped workpieces can twist or shift and may cause binding on the spinning saw blade while cutting. There should be no nails or foreign objects in the workpiece.
8. **Do not use the saw until the table is clear of all tools, wood scraps, etc., except for the workpiece.** Small debris or loose pieces of wood or other objects that contact the revolving blade can be thrown with high speed.
9. **Cut only one workpiece at a time.** Stacked multiple workpieces cannot be adequately clamped or braced and may bind on the blade or shift during cutting.
10. **Ensure the mitre saw is mounted or placed on a level, firm work surface before use.** A level and firm work surface reduces the risk of the mitre saw becoming unstable.
11. **Plan your work. Every time you change the bevel or mitre angle setting, make sure the adjustable fence is set correctly to support the workpiece and will not interfere with the blade or the guarding system.** Without turning the tool "ON" and with no workpiece on the table, move the saw blade through a complete simulated cut to assure there will be no interference or danger of cutting the fence.
12. **Provide adequate support such as table extensions, saw horses, etc. for a workpiece that is wider or longer than the table top.** Workpieces longer or wider than the mitre saw table can tip if not securely supported. If the cut-off piece or workpiece tips, it can lift the lower guard or be thrown by the spinning blade.
13. **Do not use another person as a substitute for a table extension or as additional support.** Unstable support for the workpiece can cause the blade to bind or the workpiece to shift during the cutting operation pulling you and the helper into the spinning blade.
14. **The cut-off piece must not be jammed or pressed by any means against the spinning saw blade.** If confined, i.e. using length stops, the cut-off piece could get wedged against the blade and thrown violently.
15. **Always use a clamp or a fixture designed to properly support round material such as rods or tubing.** Rods have a tendency to roll while being cut, causing the blade to "bite" and pull the work with your hand into the blade.
16. **Let the blade reach full speed before contacting the workpiece.** This will reduce the risk of the workpiece being thrown.
17. **If the workpiece or blade becomes jammed, turn the mitre saw off. Wait for all moving parts to stop and disconnect the plug from the power source and/or remove the battery pack. Then work to free the jammed material.** Continued sawing with a jammed workpiece could cause loss of control or damage to the mitre saw.
18. **After finishing the cut, release the switch, hold the saw head down and wait for the blade to stop before removing the cut-off piece.** Reaching with your hand near the coasting blade is dangerous.
19. **Hold the handle firmly when making an incomplete cut or when releasing the switch before the saw head is completely in the down position.** The braking action of the saw may cause the saw head to be suddenly pulled downward, causing a risk of injury.
20. **Only use the saw blade with the diameter that is marked on the tool or specified in the manual.** Use of an incorrectly sized blade may affect the proper guarding of the blade or guard operation which could result in serious personal injury.
21. **Only use the saw blades that are marked with a speed equal or higher than the speed marked on the tool.**
22. **Do not use the saw to cut other than wood, aluminum or similar materials.**
23. **(For European countries only) Always use the blade which conforms to EN847-1.**

Additional instructions

1. **Make workshop kid proof with padlocks.**
2. **Never stand on the tool.** Serious injury could occur if the tool is tipped or if the cutting tool is unintentionally contacted.
3. **Never leave the tool running unattended. Turn the power off. Do not leave tool until it comes to a complete stop.**

4. Do not operate saw without guards in place. Check blade guard for proper closing before each use. Do not operate saw if blade guard does not move freely and close instantly. Never clamp or tie the blade guard into the open position.
5. Keep hands out of path of saw blade. Avoid contact with any coasting blade. It can still cause severe injury.
6. To reduce the risk of injury, return carriage to the full rear position after each crosscut operation.
7. Always secure all moving portions before carrying the tool.
8. Stopper pin or stopper lever which locks the saw head down is for carrying and storage purposes only and not for any cutting operations.
9. Check the blade carefully for cracks or damage before operation. Replace cracked or damaged blade immediately. Gum and wood pitch hardened on blades slows saw and increases potential for kickback. Keep blade clean by first removing it from tool, then cleaning it with gum and pitch remover, hot water or kerosene. Never use gasoline to clean blade.
10. While making a slide cut, KICKBACK can occur. KICKBACK occurs when the blade binds in the workpiece during a cutting operation and the saw blade is driven rapidly towards the operator. Loss of control and serious personal injury can result. If blade begins to bind during a cutting operation, do not continue to cut and release switch immediately.
11. Use only flanges specified for this tool.
12. Be careful not to damage the arbor, flanges (especially the installing surface) or bolt. Damage to these parts could result in blade breakage.
13. Make sure that the turn base is properly secured so it will not move during operation. Use the holes in the base to fasten the saw to a stable work platform or bench. NEVER use tool where operator positioning would be awkward.
14. Make sure the shaft lock is released before the switch is turned on.
15. Be sure that the blade does not contact the turn base in the lowest position.
16. Hold the handle firmly. Be aware that the saw moves up or down slightly during start-up and stopping.
17. Make sure the blade is not contacting the workpiece before the switch is turned on.
18. Before using the tool on an actual workpiece, let it run for a while. Watch for vibration or wobbling that could indicate poor installation or a poorly balanced blade.
19. Stop operation immediately if you notice anything abnormal.
20. Do not attempt to lock the trigger in the "ON" position.
21. Always use accessories recommended in this manual. Use of improper accessories such as abrasive wheels may cause an injury.
22. Some material contains chemicals which may be toxic. Take caution to prevent dust inhalation and skin contact. Follow material supplier safety data.
23. Do not use a corded power supply with this tool.

Additional safety rules for operating lamp

1. Do not look in the light or see the source of light directly.

SAVE THESE INSTRUCTIONS.

⚠WARNING: DO NOT let comfort or familiarity with product (gained from repeated use) replace strict adherence to safety rules for the subject product. MISUSE or failure to follow the safety rules stated in this instruction manual may cause serious personal injury.

Important safety instructions for battery cartridge

1. Before using battery cartridge, read all instructions and cautionary markings on (1) battery charger, (2) battery, and (3) product using battery.
2. Do not disassemble or tamper the battery cartridge. It may result in a fire, excessive heat, or explosion.
3. If operating time has become excessively shorter, stop operating immediately. It may result in a risk of overheating, possible burns and even an explosion.
4. If electrolyte gets into your eyes, rinse them out with clear water and seek medical attention right away. It may result in loss of your eyesight.
5. Do not short the battery cartridge:
 - (1) Do not touch the terminals with any conductive material.
 - (2) Avoid storing battery cartridge in a container with other metal objects such as nails, coins, etc.
 - (3) Do not expose battery cartridge to water or rain.

A battery short can cause a large current flow, overheating, possible burns and even a breakdown.
6. Do not store and use the tool and battery cartridge in locations where the temperature may reach or exceed 50 °C (122 °F).
7. Do not incinerate the battery cartridge even if it is severely damaged or is completely worn out. The battery cartridge can explode in a fire.
8. Do not nail, cut, crush, throw, drop the battery cartridge, or hit against a hard object to the battery cartridge. Such conduct may result in a fire, excessive heat, or explosion.
9. Do not use a damaged battery.
10. The contained lithium-ion batteries are subject to the Dangerous Goods Legislation requirements.

For commercial transports e.g. by third parties, forwarding agents, special requirement on packaging and labeling must be observed.

For preparation of the item being shipped, consulting an expert for hazardous material is required. Please also observe possibly more detailed national regulations.

Tape or mask off open contacts and pack up the battery in such a manner that it cannot move around in the packaging.

11. **When disposing the battery cartridge, remove it from the tool and dispose of it in a safe place. Follow your local regulations relating to disposal of battery.**
12. **Use the batteries only with the products specified by Makita.** Installing the batteries to non-compliant products may result in a fire, excessive heat, explosion, or leak of electrolyte.
13. **If the tool is not used for a long period of time, the battery must be removed from the tool.**
14. **During and after use, the battery cartridge may take on heat which can cause burns or low temperature burns. Pay attention to the handling of hot battery cartridges.**
15. **Do not touch the terminal of the tool immediately after use as it may get hot enough to cause burns.**
16. **Do not allow chips, dust, or soil stuck into the terminals, holes, and grooves of the battery cartridge.** It may result in poor performance or breakdown of the tool or battery cartridge.
17. **Unless the tool supports the use near high-voltage electrical power lines, do not use the battery cartridge near a high-voltage electrical power lines.** It may result in a malfunction or breakdown of the tool or battery cartridge.
18. **Keep the battery away from children.**

SAVE THESE INSTRUCTIONS.

⚠CAUTION: Only use genuine Makita batteries. Use of non-genuine Makita batteries, or batteries that have been altered, may result in the battery bursting causing fires, personal injury and damage. It will also void the Makita warranty for the Makita tool and charger.

Tips for maintaining maximum battery life

1. **Charge the battery cartridge before completely discharged. Always stop tool operation and charge the battery cartridge when you notice less tool power.**
2. **Never recharge a fully charged battery cartridge. Overcharging shortens the battery service life.**
3. **Charge the battery cartridge with room temperature at 10 °C - 40 °C (50 °F - 104 °F). Let a hot battery cartridge cool down before charging it.**
4. **When not using the battery cartridge, remove it from the tool or the charger.**
5. **Charge the battery cartridge if you do not use it for a long period (more than six months).**

Important safety instructions for wireless unit

1. **Do not disassemble or tamper with the wireless unit.**
2. **Keep the wireless unit away from young children. If accidentally swallowed, seek medical attention immediately.**
3. **Use the wireless unit only with Makita tools.**
4. **Do not expose the wireless unit to rain or wet conditions.**
5. **Do not use the wireless unit in places where the temperature exceeds 50 °C (122 °F).**
6. **Do not operate the wireless unit in places where medical instruments, such as heart pace makers are nearby.**
7. **Do not operate the wireless unit in places where automated devices are nearby.** If operated, automated devices may develop malfunction or error.
8. **Do not operate the wireless unit in places under high temperature or places where static electricity or electrical noise could be generated.**
9. **The wireless unit can produce electromagnetic fields (EMF) but they are not harmful to the user.**
10. **The wireless unit is an accurate instrument. Be careful not to drop or strike the wireless unit.**
11. **Avoid touching the terminal of the wireless unit with bare hands or metallic materials.**
12. **Always remove the battery on the product when installing the wireless unit into it.**
13. **When opening the lid of the slot, avoid the place where dust and water may come into the slot. Always keep the inlet of the slot clean.**
14. **Always insert the wireless unit in the correct direction.**
15. **Do not press the wireless activation button on the wireless unit too hard and/or press the button with an object with a sharp edge.**
16. **Always close the lid of the slot when operating.**
17. **Do not remove the wireless unit from the slot while the power is being supplied to the tool. Doing so may cause a malfunction of the wireless unit.**
18. **Do not remove the sticker on the wireless unit.**
19. **Do not put any sticker on the wireless unit.**
20. **Do not leave the wireless unit in a place where static electricity or electrical noise could be generated.**
21. **Do not leave the wireless unit in a place subject to high heat, such as a car sitting in the sun.**
22. **Do not leave the wireless unit in a dusty or powdery place or in a place corrosive gas could be generated.**
23. **Sudden change of the temperature may bedew the wireless unit. Do not use the wireless unit until the dew is completely dried.**
24. **When cleaning the wireless unit, gently wipe with a dry soft cloth. Do not use benzine, thinner, conductive grease or the like.**

25. **When storing the wireless unit, keep it in the supplied case or a static-free container.**
26. **Do not insert any devices other than Makita wireless unit into the slot on the tool.**
27. **Do not use the tool with the lid of the slot damaged.** Water, dust, and dirt come into the slot may cause malfunction.
28. **Do not pull and/or twist the lid of the slot more than necessary.** Restore the lid if it comes off from the tool.
29. **Replace the lid of the slot if it is lost or damaged.**

SAVE THESE INSTRUCTIONS.

PARTS DESCRIPTION

► Fig.2

1	Knob (for bevel angle)	2	Hex wrench	3	Adjusting screw (for lower limit position)	4	Adjusting bolt (for maximum cutting capacity)
5	Stopper arm	6	Lock-off button	7	Switch trigger	8	Lid (for wireless unit)
9	Hole for padlock	10	Wireless activation button	11	Wireless activation lamp	12	Lamp button
13	Vacuum button	14	Blade case	15	Blade guard	16	Holder
17	Lock lever (for turn base)	18	Releasing lever (for turn base)	19	Grip (for turn base)	20	Kerf board
21	Miter angle scale	22	Pointer (for miter angle)	23	Turn base	24	Releasing button (for right side bevel angle)
25	Vertical vise	26	Stopper pin (for carriage sliding)	27	Slide pole	-	-

► Fig.3

1	Handle	2	Battery cartridge	3	Dust bag (when replaced with dust extraction hose)	4	Hose (for dust extraction)
5	0° adjusting bolt (for bevel angle)	6	Bevel angle scale	7	Pointer (for bevel angle)	8	45° adjusting bolt (for bevel angle)
9	Latch lever (for bevel angle)	10	Releasing lever (for 48° bevel angle)	11	Guide fence (upper fence)	12	Guide fence (lower fence)
13	Stopper pin (for carriage elevation)	14	Shaft lock	-	-	-	-

INSTALLATION

Installing the grip

Screw the threaded shaft of the grip into the turn base.

► Fig.4: 1. Grip 2. Turn base

Installing and removing dust extraction hose

Attach the hose elbow to the upper port with the lock button facing upwards. Insert the sleeve of the hose into the lower port, pressing and aligning the stopper buttons on the sleeve with the guide notches on the port. Make sure that the elbow and sleeve fit properly to the ports of the tool.

► Fig.5: 1. Dust extraction hose 2. Elbow 3. Lock button 4. Sleeve 5. Upper Port 6. Lower Port

To remove the hose elbow from the port, pull the elbow while pressing down the lock button.

► Fig.6: 1. Lock button 2. Elbow

To remove the sleeve of the hose from the port, pull the sleeve while pressing the stopper buttons on both sides of the port.

► Fig.7: 1. Stopper button 2. Sleeve

Bench mounting

When the tool is shipped, the handle is locked in the lowered position by the stopper pin. While lowering the handle slightly, pull the stopper pin and rotate it 90°.

► Fig.8: 1. Locked position 2. Unlocked position 3. Stopper pin

This tool should be bolted with four bolts to a level and stable surface using the bolt holes provided in the tool's base. This will help prevent tipping and possible injury.

► Fig.9: 1. Bolts

⚠ WARNING: Ensure that the tool will not move on the supporting surface. Movement of the miter saw on the supporting surface while cutting may result in loss of control and serious personal injury.

FUNCTIONAL DESCRIPTION

⚠ WARNING: Always be sure that the tool is switched off and the battery cartridge is removed before adjusting or checking the functions on the tool. Failure to switch off and remove the battery cartridge may result in serious personal injury from accidental start-up.

Installing or removing battery cartridge

⚠ CAUTION: Always switch off the tool before installing or removing of the battery cartridge.

⚠ CAUTION: Hold the tool and the battery cartridge firmly when installing or removing battery cartridge. Failure to hold the tool and the battery cartridge firmly may cause them to slip off your hands and result in damage to the tool and battery cartridge and a personal injury.

► **Fig.10:** 1. Red indicator 2. Button 3. Battery cartridge

To remove the battery cartridge, slide it from the tool while sliding the button on the front of the cartridge.

To install the battery cartridge, align the tongue on the battery cartridge with the groove in the housing and slip it into place. Insert it all the way until it locks in place with a little click. If you can see the red indicator as shown in the figure, it is not locked completely.

⚠ CAUTION: Always install the battery cartridge fully until the red indicator cannot be seen. If not, it may accidentally fall out of the tool, causing injury to you or someone around you.

⚠ CAUTION: Do not install the battery cartridge forcibly. If the cartridge does not slide in easily, it is not being inserted correctly.

Tool / battery protection system

The tool is equipped with a tool/battery protection system. This system automatically cuts off power to the motor to extend tool and battery life. The tool will automatically stop during operation if the tool or battery is placed under one of the following conditions.

Overload protection

When the tool/battery is operated in a manner that causes it to draw an abnormally high current, the tool automatically stops. In this situation, turn the tool off and stop the application that caused the tool to become overloaded. Then turn the tool on to restart.

Overheat protection

When the tool/battery is overheated, the tool stops automatically and the lamp will blink. In this situation, let the tool cool down before turning the tool on again.

Overdischarge protection

When the battery capacity becomes low, the tool stops automatically. If the tool does not run along with the switch operation, remove the battery from the tool and charge it.

Indicating the remaining battery capacity

Press the check button on the battery cartridge to indicate the remaining battery capacity. The indicator lamps light up for a few seconds.

► **Fig.11:** 1. Indicator lamps 2. Check button

Indicator lamps			Remaining capacity
Lighted	Off	Blinking	
■ ■ ■ ■			75% to 100%
■ ■ ■ □			50% to 75%
■ ■ □ □			25% to 50%
■ □ □ □			0% to 25%
▣ □ □ □			Charge the battery.
■ ■ □ □	↑ ↓	■ ■	The battery may have malfunctioned.

NOTE: Depending on the conditions of use and the ambient temperature, the indication may differ slightly from the actual capacity.

NOTE: The first (far left) indicator lamp will blink when the battery protection system works.

Handle lock

⚠ CAUTION: Always hold the handle when releasing the stopper pin. Otherwise the handle springs up and it may result in personal injury.

The handle can be locked either in the lowered position or raised position with the stopper pin. Lower or raise the handle fully and then pull and rotate the stopper pin in a locked position. To unlock the handle, pull the stopper pin and rotate it 90° in an unlocked position while lowering the handle slightly.

► **Fig.12:** 1. Locked position 2. Unlocked position 3. Stopper pin

Slide lock

Pull the stopper pin and turn it 90° in an unlocked position to allow free movement of the carriage. To lock the sliding movement of the carriage, push the carriage toward the arm until it stops, and then return the stopper pin in a locked position.

► **Fig.13:** 1. Locked position 2. Unlocked position 3. Stopper pin 4. Arm

Blade guard

⚠ WARNING: Never defeat or remove the blade guard or the spring which attaches to the guard. An exposed blade as a result of defeated guarding may result in serious personal injury during operation.

⚠ WARNING: Never use the tool if the blade guard or spring are damaged, faulty or removed. Operation of the tool with a damaged, faulty or removed guard may result in serious personal injury.

⚠ CAUTION: Always maintain the blade guard in good condition for safe operation. Stop the operation immediately if there are any irregularity of the blade guard. Check to assure spring loaded return action of guard.

When lowering the handle, the blade guard raises automatically. The guard is spring loaded so it returns to its original position when the cut is completed and the handle is raised.

► Fig.14: 1. Blade guard

Cleaning

If the transparent blade guard becomes dirty, or sawdust adheres to it in such a way that the blade and/or workpiece is no longer easily visible, remove the battery cartridge and clean the guard carefully with a damp cloth. Do not use solvents or any petroleum-based cleaners on the plastic guard because this may cause damage to the guard.

Follow the step-by-step instructions listed on how to prepare for operation.

1. Make sure that the tool is switched off and the battery cartridge is removed.
2. Turn the hex bolt counterclockwise using the supplied hex wrench while holding the center cover.
3. Raise the blade guard and center cover.
4. When cleaning is complete, return the center cover and tighten the hex bolt by performing the steps above in reverse.
5. Make sure to return the circular saw blade and center cover to their original positions and tighten the hex bolt.

► Fig.15: 1. Hex wrench 2. Hex bolt 3. Center cover
4. Blade guard

⚠ WARNING: Do not remove spring holding blade guard. If guard becomes damaged in course of time or UV light exposure, contact a Makita service center for replacement. **DO NOT DEFEAT OR REMOVE GUARD.**

Positioning kerf board

This tool is provided with the kerf boards in the turn base to minimize tearing on the exit side of a cut. The kerf boards are factory adjusted so that the circular saw blade does not contact the kerf boards. Before use, adjust the kerf boards as follows:

1. Make sure to remove the battery cartridge. Then, loosen all the screws (two each on left and right) securing the kerf boards.

► Fig.16: 1. Kerf board 2. Screws

NOTE: The rear screws can easily be loosened and tightened by turning the turn base at an angle. Make sure to raise the handle fully when turning the turn base.

2. Re-tighten them only to the extent that the kerf boards can still be easily moved by hand.
3. Lower the handle fully, then pull and turn the stopper pin to lock the handle in the lowered position.
4. Pull and turn the stopper pin on the slide pole to allow the carriage sliding.

► Fig.17: 1. Stopper pin 2. Locked position
3. Unlocked position

5. Pull the carriage toward you fully.
6. Adjust the kerf boards so that they just contact the sides of the blade teeth.

► Fig.18

► Fig.19: 1. Saw blade 2. Blade teeth 3. Kerf board
4. Left bevel cut 5. Straight cut 6. Right bevel cut

NOTICE: When changing bevel angles, be sure to reposition the kerf boards appropriately.

NOTICE: Always remove the upper guide fences and vertical vise before positioning the kerf boards for left or right bevel cut.

7. Tighten the front screws (do not tighten firmly).
8. Push the carriage toward the guide fences fully and then adjust the kerf boards so that they just contact the sides of the blade teeth.
9. Tighten the rear screws (do not tighten firmly).
10. After adjusting the kerf boards, release the stopper pin for handle lock and raise the handle. Then tighten all the screws securely.

NOTICE: After setting the bevel angle, ensure that the kerf boards are adjusted properly. Correct adjustment of the kerf boards helps to provide proper support of the workpiece and minimizing workpiece tear out.

Maintaining maximum cutting capacity

This tool is factory adjusted to provide the maximum cutting capacity for a 260 mm saw blade. When installing a new circular saw blade, always check the lower limit position of the circular saw blade, and if necessary, adjust it as follows:

1. Remove the battery cartridge. Then turn the stopper lever to engaged position.

► Fig.20: 1. Stopper lever

2. Push the carriage toward the guide fences fully and lower the handle completely.

► Fig.21: 1. Guide fence 2. Adjusting bolt

3. Use the hex wrench to turn the adjusting bolt until the circular saw blade comes slightly below the cross section of the guide fences and the top surface of the turn base.

► Fig.22: 1. Top surface of turn base 2. Guide fence

4. Rotate the blade by hand while holding the handle all the way down to be sure that the circular saw blade does not contact any part of the lower base. Re-adjust slightly, if necessary.

⚠ WARNING: After installing a new circular saw blade and with the battery cartridge removed, always be sure that the circular saw blade does not contact any part of the lower base when the handle is lowered completely. If a circular saw blade makes contact with the base, it may cause kickback and result in serious personal injury.

► Fig.23

⚠ CAUTION: Always return the stopper lever to the original position after adjustment.

Stopper arm

The lower limit position of the circular saw blade can be easily adjusted with the stopper arm. To adjust it, move the stopper arm in the direction of the arrow as shown in the figure. Turn the adjusting screw so that the circular saw blade stops at the desired position when lowering the handle fully.

► Fig.24: 1. Adjusting screw 2. Stopper arm

⚠ CAUTION: Always hold the handle firmly when adjusting. Failure to do so may cause the carriage to jump up and result in injury.

Adjusting the miter angle

⚠ CAUTION: After changing the miter angle, always secure the turn base by returning the lock/releasing lever to a locked position and tightening the grip firmly.

NOTICE: When turning the turn base, be sure to raise the handle fully.

1. Rotate the grip counterclockwise. Then press and hold down the lock lever into an unlocked position.

2. Hold and swing the grip from side to side to turn the turn base.

3. Align the pointer with your desired angle on the miter angle scale.

4. Release the lock lever and tighten the grip.

► Fig.25: 1. Grip 2. Lock lever 3. Pointer 4. Miter angle scale

Positive stop function

This miter saw employs positive stop function. You can set 0°, 15°, 22.5°, 31.6°, 45°, and 60° right/left miter angle quickly.

1. Rotate the grip counterclockwise

2. Press and hold down the lock lever in an unlocked position.

3. Turn the turn base close to your desired positive stop angle and release the lock lever.

4. Turn the turn base at your desired positive stop angle until it is secured.

5. Tighten the grip.

► Fig.26: 1. Grip 2. Lock lever 3. Positive stop angle

NOTE: To set the turn base free from the positive stop function, press down the releasing lever. The turn base can be moved freely without holding down the lock lever. Swing the grip to turn the turn base to your desired angle, and then tighten the grip.

► Fig.27: 1. Releasing lever

Adjusting the bevel angle

⚠ CAUTION: After changing the bevel angle, always secure the arm by tightening the knob on the slide pole clockwise.

NOTICE: Always remove the upper guide fences and vertical vise before adjusting the bevel angle.

NOTICE: When tilting the circular saw blade, be sure that the carriage is fully raised.

NOTICE: When changing bevel angles, be sure to reposition the kerf boards appropriately as explained in the section for positioning kerf boards.

NOTICE: Do not tighten the knob on the slide pole too hard. Doing so may cause malfunction of the locking mechanism of the bevel angle.

Tilting the circular saw blade to the left

1. Rotate the knob on the slide pole counterclockwise.

► Fig.28: 1. Knob

2. Pull and raise the latch lever up to allow free movement of the carriage arm.

► Fig.29: 1. Latch lever

3. Hold the handle and tilt the carriage to the left.

4. Align the pointer with your desired angle on the bevel angle scale.

5. Tighten the knob clockwise to secure the carriage arm.

► Fig.30: 1. Knob 2. Handle 3. Pointer 4. Bevel angle scale

Tilting the circular saw blade to the right

1. Rotate the knob on the slide pole counterclockwise.

2. Hold the handle and tilt the carriage to the left slightly.

3. Tilt the carriage to the right while pressing the releasing button for right side bevel angle.

4. Align the pointer with your desired angle on the bevel angle scale.

5. Tighten the knob clockwise to secure the carriage arm.

► Fig.31: 1. Knob 2. Handle 3. Releasing button for right side bevel angle 4. Bevel angle scale

Tilting the circular saw blade using positive stop function

This miter saw employs positive stop function. You can set 22.5° and 33.9° angle to both right and left quickly.

1. Rotate the knob on the slide pole counterclockwise.
2. Tilt the carriage close to your desired positive stop angle while raising the latch lever up.
3. Set the latch lever in a horizontal position.
4. Tilt the carriage at your desired positive stop angle until it is secured.
5. To change the angle, pull the latch lever towards the front of the tool, and then re-tilt the carriage.
6. Tighten the knob clockwise to secure the carriage arm.

► Fig.32: 1. Knob 2. Latch lever

Tilting the circular saw blade beyond the range 0° - 45°

1. Rotate the knob on the slide pole counterclockwise.
2. Hold the handle and tilt the carriage through 45° either to the left or right.
3. Pull the carriage back slightly and slide the releasing lever for 48° bevel angle towards the front of the tool.
4. Tilt the carriage further to the left or right while keeping the lever released.
5. Tighten the knob clockwise to secure the carriage arm.

► Fig.33: 1. Knob 2. Handle 3. Releasing lever for 48° bevel angle

Switch action

⚠ WARNING: Before installing the battery cartridge(s) into the tool, always check to see that the switch trigger actuates properly and returns to the "OFF" position when released. Do not pull the switch trigger hard without pressing in the lock-off button. This can cause switch breakage. Operating a tool with a switch that does not actuate properly can lead to loss of control and serious personal injury.

⚠ WARNING: NEVER use tool without a fully operative switch trigger. Any tool with an inoperative switch is HIGHLY DANGEROUS and must be repaired before further usage or serious personal injury may occur.

⚠ WARNING: NEVER defeat the lock-off button by taping down or some other means. A switch with a negated lock-off button may result in unintentional operation and serious personal injury.

⚠ WARNING: NEVER use the tool if it runs when you simply pull the switch trigger without pressing the lock-off button. A switch in need of repair may result in unintentional operation and serious personal injury. Return tool to a Makita service center for proper repairs BEFORE further usage.

► Fig.34: 1. Switch trigger 2. Lock-off button 3. Hole for padlock

To prevent the switch trigger from being accidentally pulled, a lock-off button is provided. To start the tool, press in the lock-off button and pull the switch trigger. Release the switch trigger to stop. A hole is provided in the switch trigger for insertion of a padlock to lock the tool off.

⚠ WARNING: Do not use a lock with a shank or cable any smaller than 6.35 mm in diameter. A smaller shank or cable may not properly lock the tool in the off position and unintentional operation may occur resulting in serious personal injury.

Casting a cutting line

⚠ CAUTION: The lamp is not a rainproof. Do not wash the lamp in water or use it in a rain or a wet area. Such a conduct can cause an electric shock and fume.

⚠ CAUTION: Do not touch the lens of the lamp as it is very hot while it is lighted or shortly after it is turned off. This may cause burns.

⚠ CAUTION: Do not apply impact to the lamp, which may cause damage or shortened service time to it.

⚠ CAUTION: Do not look in the light or see the source of light directly.

The LED lamp casts a light over the circular saw blade, and a shadow of the blade falls onto a workpiece serving as a calibration-free cutting line indicator. Press the lamp button to shed a light. A line appears in which the blade will meet the surface of the workpiece, becoming deepened as the blade gets lowered.

► Fig.35: 1. Lamp button 2. Lamp 3. Cutting line

The indicator helps cut through an existing cut-off line penciled on a workpiece.

1. Hold the handle and lower the circular saw blade so a dense shadow of the blade is thrown against a workpiece.
2. Align a cut-off line drawn on the workpiece with the shadowed cutting line.
3. Adjust the miter angles and bevel angles if necessary.

NOTE: Be sure to turn off the lamp switch after use because turning on the light consumes the battery power.

NOTE: The light automatically goes off 5 minutes after you cease operation.

Electronic function

Electric brake

This tool is equipped with an electric blade brake. If the tool consistently fails to quickly cease to function after the switch trigger is released, have the tool serviced at a Makita service center.

⚠ CAUTION: The blade brake system is not a substitute for the blade guard. Never use tool without a functioning blade guard. An unguarded blade may result in serious personal injury.

Constant speed control

The tool is provided with an electronic speed control which helps maintain a constant blade rotation speed even under load. A constant blade rotation speed will result in a very smooth cut.

Soft start feature

This function allows the smooth start-up of the tool by limiting the start-up torque.

ASSEMBLY

⚠ WARNING: Always be sure that the tool is switched off and the battery cartridge is removed before working on the tool. Failure to switch off and remove the battery cartridge may result in serious personal injury.

Hex wrench storage

When not in use, store the hex wrench as shown in the figure to keep it from being lost.

► Fig.36: 1. Hex wrench

Removing and installing saw blade

⚠ WARNING: Always be sure that the tool is switched off and the battery cartridge is removed before removing and installing the circular saw blade. Accidental start up of the tool may result in serious personal injury.

⚠ WARNING: Use only the Makita wrench provided to remove and install the circular saw blade. Failure to use the wrench may result in overtightening or insufficient tightening of the hex socket bolt and serious personal injury.

⚠ WARNING: Never use or substitute the parts which are not supplied with this tool. Using such parts can cause serious personal injury.

⚠ WARNING: After installing the circular saw blade, always make sure that it is securely installed. Loose attachment of the circular saw blade can cause serious personal injury.

Removing the blade

To remove the circular saw blade, perform the following steps:

1. Lock the carriage in the raised position by pulling and turning the stopper pin in a locked position.

► Fig.37: 1. Stopper pin 2. Unlocked position
3. Locked position

2. Use the hex wrench to loosen the hex bolt holding the center cover. Then, raise the blade guard and center cover.

► Fig.38: 1. Hex wrench 2. Hex bolt 3. Center cover
4. Blade guard

3. Press the shaft lock to lock the spindle and use the hex wrench to loosen the hex socket bolt clockwise. Then remove the hex socket bolt, outer flange and circular saw blade.

► Fig.39: 1. Hex socket bolt (left-handed) 2. Outer flange 3. Shaft lock

4. If the inner flange is removed, install it on the spindle with its recessed side facing the circular saw blade. If the flange is installed incorrectly the flange will rub against the machine.

For tool with ring

(Country specific)

► Fig.40: 1. Hex socket bolt (left-handed) 2. Outer flange 3. Circular saw blade 4. Ring 5. Inner flange 6. Spindle 7. Recessed side

For tool without ring

(Country specific)

► Fig.41: 1. Hex socket bolt (left-handed) 2. Outer flange 3. Circular saw blade 4. Inner flange 5. Spindle 6. Recessed side

Installing the blade

⚠ WARNING: Before mounting the blade onto the spindle, always be sure that the correct ring for the blade's arbor hole you intend to use is installed between the inner and the outer flanges. Use of the incorrect arbor hole ring may result in the improper mounting of the blade causing blade movement and severe vibration resulting in possible loss of control during operation and in serious personal injury.

⚠ CAUTION: Make sure to install the circular saw blade so that the direction of the arrow on the blade matches that on the blade case. Failure to do so may result in personal injury and cause damage to the tool and/or the workpiece.

Arbor hole diameters of circular saw blade may differ depending on your region of residence. Use a correctly sized ring to secure the circular saw blade to the spindle when the hole diameter exceeds the spindle diameter. To install the circular saw blade, perform the following steps:

1. Mount the circular saw blade carefully onto the inner flange. Make sure that the direction of the arrow on the circular saw blade matches the direction of the arrow on the blade case.

► Fig.42: 1. Arrow on blade case 2. Arrow on circular saw blade

2. Install the outer flange and hex socket bolt, and then use the hex wrench to tighten the hex socket bolt counterclockwise securely while pressing the shaft lock.

For tool with ring

(Country specific)

► Fig.43: 1. Hex socket bolt (left-handed) 2. Outer flange 3. Circular saw blade 4. Ring 5. Inner flange 6. Spindle 7. Recessed side

For tool without ring

(Country specific)

► Fig.44: 1. Hex socket bolt (left-handed) 2. Outer flange 3. Circular saw blade 4. Inner flange 5. Spindle 6. Recessed side

3. Return the blade guard and center cover to its original position. Then tighten the hex bolt clockwise to secure the center cover.

4. Pull and turn the stopper pin in an unlocked position to release the carriage from the raised position. Lower the carriage and check that the blade guard moves properly.

CAUTION: Make sure shaft lock has released spindle before making cut.

Connecting a vacuum cleaner

When you wish to perform clean cutting operation, connect a Makita vacuum cleaner to the dust nozzle (upper dust port) using a front cuff 24 (optional accessory).

► **Fig.45:** 1. Front cuff 24 2. Hose 3. Vacuum cleaner

Dust bag

CAUTION: When performing a cutting, always attach the dust bag or connect a vacuum cleaner to prevent dust-related hazards.

The use of the dust bag makes cutting operations clean and dust collection easy. To attach the dust bag, remove the dust extraction hose from the tool and connect the dust bag to the dust nozzle (upper dust port).

► **Fig.46:** 1. Dust extraction hose 2. Dust bag 3. Dust nozzle (upper dust port)

When the dust bag is about half full, remove the dust bag from the tool and pull the fastener out. Empty the dust bag of its contents, tapping it lightly so as to remove particles adhering to the insides which might hamper further collection.

► **Fig.47:** 1. Fastener

Securing workpiece

WARNING: It is extremely important to always secure the workpiece correctly with the proper type of vise or crown molding stoppers. Failure to do so may result in serious personal injury and cause damage to the tool and/or the workpiece.

WARNING: When cutting a workpiece that is longer than the support base of the miter saw, support the entire length of the material beyond the support base keeping the material level.

Proper workpiece support helps to avoid blade pinch and possible kickback which may result in serious personal injury. Do not rely solely on the vertical vise and/or horizontal vise to secure the workpiece. Thin material tends to sag. Support workpiece over its entire length to avoid blade pinch and possible KICKBACK.

► **Fig.48:** 1. Support 2. Turn base

Guide fences

WARNING: Before operating the tool, make sure that the upper fence is secured firmly.

WARNING: Before bevel-cutting, make sure that no part of the tool, especially the saw blade, contacts the upper and lower fences when fully lowering and raising the handle in any position and while moving the carriage through its full range of travel. If the tool or blade makes contact with the fence, this may result in kickback or unexpected movement of the material and serious personal injury.

Use upper fences to support the material higher than the lower fences. Insert the upper fence into the hole on the lower fence and tighten the clamping screw.

► **Fig.49:** 1. Upper fence 2. Lower fence 3. Clamping screw 4. Adjusting screw

NOTICE: The lower fences are fixed to the base in the factory. Do not remove the lower fences.

NOTICE: If the upper fence is still loose after tightening the clamping screw, turn the adjusting screw to close a gap. The adjusting screw is factory adjusted. You don't need to use it unless needed.

When not using the upper fence, you can store it onto the holder. Use the clip on the upper fence to hold it on the holder.

► **Fig.50:** 1. Holder 2. Upper fence 3. Clip

Vertical vise

WARNING: The workpiece must be secured firmly against the turn base and guide fences with the vise during all operations. If the workpiece is not properly secured against the fences, the material may move during the cutting operation causing possible damage to the circular saw blade, causing the material to be thrown and loss of control resulting in serious personal injury.

The vertical vise can be installed in either the left or right side of the base. Insert the vise rod into the hole in the base.

► **Fig.51:** 1. Vertical vise 2. Hole for vertical vise 3. Base

► **Fig.52:** 1. Vise arm 2. Vise rod 3. Clamping screw 4. Vise knob

Position the vise arm according to the thickness and shape of the workpiece and secure the vise arm by tightening the screw. If the clamping screw contacts the carriage, install the vertical vise into the opposite side of the base. Make sure that no part of the tool contacts the vise when lowering the handle all the way. If some part contacts the vise, re-position the vise.

Press the workpiece flat against the guide fences and the turn base. Position the workpiece at the desired cutting position and secure it firmly by tightening the vise knob.

NOTE: For a quick setting of workpiece, turning the vise knob to 90° counterclockwise allows the vise knob to be moved up and down. To secure the workpiece after setting, turn the vise knob clockwise.

Horizontal vise

Optional accessory

⚠ WARNING: Always rotate the vise nut clockwise until the workpiece is properly secured. If the workpiece is not properly secured, the material may move during the cutting operation causing possible damage to the circular saw blade, causing the material to be thrown and loss of control resulting in serious personal injury.

⚠ WARNING: When cutting a thin workpiece, such as base boards, against the fence, always use the horizontal vise.

⚠ CAUTION: When cutting the workpiece of the thickness 20 mm or thinner, make sure to use a spacer block to secure the workpiece.

The horizontal vise can be installed in either the left or right side of the base. When performing 22.5° or greater miter cuts, install the horizontal vise in the side opposed to the direction in which the turn base is to be turned.

► **Fig.53:** 1. Vise plate 2. Vise nut 3. Vise knob

By flipping the vise nut counterclockwise, the vise is released, and rapidly moves in and out. To grip the workpiece, push the vise knob forward until the vise plate contacts the workpiece and flip the vise nut clockwise. Then turn the vise knob clockwise to secure the workpiece.

NOTE: The maximum width of workpiece which can be secured by the horizontal vise is 228 mm.

Holders

⚠ WARNING: Always support a long workpiece so it is level with the top surface of the turn base for an accurate cut and to prevent dangerous loss of tool control. Proper workpiece support will help avoid blade pinch and possible kickback which may result in serious personal injury.

⚠ WARNING: Before the cutting operation, always be sure that the holders are secured by the screws.

To hold long workpieces horizontally, holders are provided on both sides of the tool. Loosen the screws and extend the holders to the appropriate length for holding the workpiece. Then tighten the screws.

► **Fig.54:** 1. Holder 2. Screw

When cutting, place the workpiece flat against the guide fences.

► **Fig.55:** 1. Guide fence 2. Holder

Sub base

Optional accessory

⚠ WARNING: Always support a long workpiece so it is level with the top surface of the turn base for an accurate cut and to prevent dangerous loss of tool control. Proper workpiece support will help avoid blade pinch and possible kickback which may result in serious personal injury.

⚠ WARNING: Before the cutting operation, always be sure that a sub base is secured by the screw.

NOTE: For details on installation, follow the instructions provided with an optional sub base.

Install an optional sub base in the base to hold long workpieces more securely. Loosen the screw and extend the sub base to the appropriate length for holding the workpiece. Then tighten the screw.

► **Fig.56:** 1. Sub base 2. Screw

When cutting, place the workpiece flat against the guide fence and the sub fence on the sub base.

► **Fig.57:** 1. Guide fence 2. Sub fence 3. Sub base

Adjusting sub fence

Adjust the sub fence on the sub base if it is not aligned with guide fence.

1. Loosen the bolts securing the sub fence using the hex wrench.
2. Place a straight rigid bar, such as a square steel member, flat against the guide fence.
3. While the bar is flat against the guide fence, reposition the sub fence so that the face of the sub fence becomes flat against the bar. After that, tighten the bolts.

► **Fig.58:** 1. Bolt 2. Sub fence 3. Guide fence 4. Rigid bar

OPERATION

This tool is intended to cut wood products. With appropriate Makita genuine saw blades, following materials can also be sawed :

— Aluminum products

Refer to our website or contact your local Makita dealer for the correct circular saw blades to be used for the material to be cut.

⚠ WARNING: Make sure the saw blade is not contacting the workpiece, etc. before the switch is turned on. Turning the tool on with the blade in contact with the workpiece may result in kickback and serious personal injury.

⚠ WARNING: After a cutting operation, do not raise the saw blade until it has come to a complete stop. The raising of a coasting blade may result in serious personal injury and damage to the workpiece.

⚠ WARNING: Do not perform any adjustment such as turning grip, knob, and levers on the tool while the saw blade is rotating. Adjustment while the blade is rotating may result in serious personal injury.

NOTICE: Before use, be sure to unlock the stopper pin and release the handle from the lowered position.

NOTICE: Do not apply excessive pressure on the handle when cutting. Too much force may result in overload of the motor and/or decreased cutting efficiency. Press down handle with only as much force as necessary for smooth cutting and without significant decrease in blade speed.

NOTICE: Gently press down the handle to perform the cut. If the handle is pressed down with force or if lateral force is applied, the blade may vibrate and leave a mark (saw mark) in the workpiece and the precision of the cut may be impaired.

NOTICE: During a slide cut, gently push the carriage toward the guide fence without stopping. If the carriage movement is stopped during the cut, a mark will be left in the workpiece and the precision of the cut will be impaired.

Press cutting

⚠ WARNING: Always lock the sliding movement of the carriage when performing a press cutting. Cutting without lock may cause possible kickback which may result in serious personal injury.

Workpieces up to 68 mm high and 160 mm wide can be cut in the following manner.

► **Fig.59:** 1. Stopper pin

1. Push the carriage toward the guide fence until it stops and lock it with the stopper pin.
2. Secure the workpiece with the proper type of vise.
3. Switch on the tool without the circular saw blade making any contact and wait until the circular saw blade attains full speed before lowering.
4. Gently lower the handle to the fully lowered position to cut the workpiece.
5. When the cut is completed, switch off the tool and wait until the circular saw blade has come to a complete stop before returning the circular saw blade to its fully elevated position.

Slide (push) cutting (cutting wide workpieces)

⚠ WARNING: Whenever performing a slide cut, first pull the carriage full towards you and press the handle all the way down, then push the carriage toward the guide fence. Never start the cut with the carriage not pulled fully toward you. If you perform the slide cut without the carriage pulled fully toward you, unexpected kickback may occur and serious personal injury may result.

⚠ WARNING: Never attempt to perform a slide cut by pulling the carriage towards you. Pulling the carriage towards you while cutting may cause unexpected kickback resulting in possible serious personal injury.

⚠ WARNING: Never perform the slide cut with the handle locked in the lowered position.

► **Fig.60:** 1. Stopper pin

1. Unlock the stopper pin so that the carriage can slide freely.
2. Secure the workpiece with the proper type of vise.
3. Pull the carriage toward you fully.
4. Switch on the tool without the saw blade making any contact and wait until the saw blade attains full speed.
5. Press the handle down and push the carriage toward the guide fence and through the workpiece.
6. When the cut is completed, switch off the tool and wait until the saw blade has come to a complete stop before returning the blade to its fully elevated position.

Miter cutting

Refer to the section for adjusting the miter angle.

Bevel cutting

⚠ WARNING: After setting the blade for a bevel cut, ensure that the carriage and saw blade will have free travel throughout the entire range of the intended cut before operating the tool. Interruption of the carriage or blade travel during the cutting operation may result in kickback and serious personal injury.

⚠ WARNING: While making a bevel cut, keep hands out of the path of the saw blade. The angle of the blade may confuse the operator as to the actual blade path while cutting and contact with the blade will result in serious personal injury.

⚠ WARNING: The saw blade should not be raised until it has come to a complete stop. During a bevel cut, the piece cut off may come to rest against the saw blade. If the blade is raised while it is rotating, the cut-off piece may be ejected by the blade causing the material to fragment which may result in serious personal injury.

NOTICE: When pressing down the handle, apply pressure in parallel with the blade. If a force is applied perpendicularly to the turn base or if the pressure direction is changed during a cut, the precision of the cut will be impaired.

► **Fig.61**

1. Remove the upper fence on the side that you are going to tilt the carriage.
2. Unlock the stopper pin.
3. Adjust the bevel angle according to the procedure explained in the section for bevel angle adjustment. Then tighten the knob.
4. Secure the workpiece with a vise.
5. Pull the carriage toward you fully.
6. Switch on the tool without the blade making any contact and wait until the blade attains full speed.
7. Gently lower the handle to the fully lowered position while applying pressure in parallel with the blade and push the carriage toward the guide fence to cut the workpiece.
8. When the cut is completed, switch off the tool and wait until the blade has come to a complete stop before returning the blade to its fully elevated position.

Compound cutting

Compound cutting is the process in which a bevel angle is made at the same time in which a miter angle is being cut on a workpiece. Compound cutting can be performed at the angle shown in the table.

Miter angle	Bevel angle
Left and Right 0° - 45°	Left and Right 0° - 45°

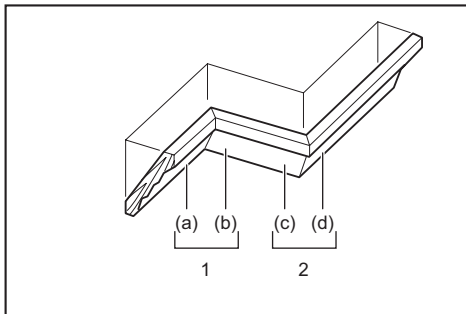
When performing compound cutting, refer to the section for press cutting, slide (push) cutting, miter cutting and bevel cut.

Cutting crown and cove moldings

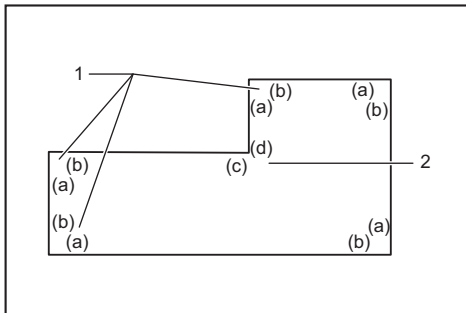
Crown and cove moldings can be cut on a compound miter saw with the moldings laid flat on the turn base. There are two common types of crown moldings and one type of cove moldings; 52/38° wall angle crown molding, 45° wall angle crown molding and 45° wall angle cove molding.

► **Fig.62:** 1. 52/38° type crown molding 2. 45° type crown molding 3. 45° type cove molding

There are crown and cove molding joints which are made to fit "Inside" 90° corners ((a) and (b) in the figure) and "Outside" 90° corners ((c) and (d) in the figure.)



1. Inside corner 2. Outside corner



1. Inside corner 2. Outside corner

Measuring

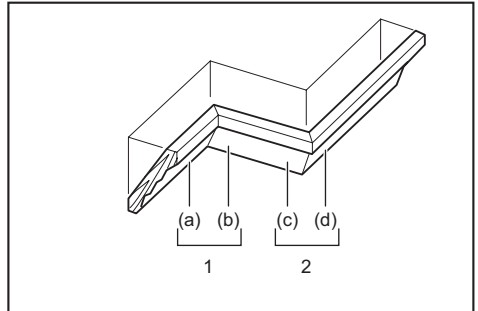
Measure the wall width, and adjust the width of the workpiece according to it. Always make sure that width of the workpiece's wall contact edge is the same as wall length.

► **Fig.63:** 1. Workpiece 2. Wall width 3. Width of the workpiece 4. Wall contact edge

Always use several pieces for test cuts to check the saw angles.

When cutting crown and cove moldings, set the bevel angle and miter angle as indicated in the table (A) and position the moldings on the top surface of the saw base as indicated in the table (B).

In the case of left bevel cut



1. Inside corner 2. Outside corner

Table (A)

-	Molding position in the figure	Bevel angle		Miter angle	
		52/38° type	45° type	52/38° type	45° type
For inside corner	(a)	Left 33.9°	Left 30°	Right 31.6°	Right 35.3°
	(b)			Left 31.6°	Left 35.3°
For outside corner	(c)			Right 31.6°	Right 35.3°
	(d)			Right 31.6°	Right 35.3°

Table (B)

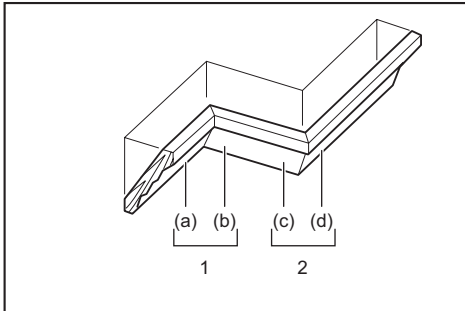
-	Molding position in the figure	Molding edge against guide fence	Finished piece
For inside corner	(a)	Ceiling contact edge should be against guide fence.	Finished piece will be on the Left side of blade.
	(b)	Wall contact edge should be against guide fence.	
For outside corner	(c)	Wall contact edge should be against guide fence.	Finished piece will be on the Right side of blade.
	(d)	Ceiling contact edge should be against guide fence.	

Example:

In the case of cutting 52/38° type crown molding for position (a) in the above figure:

- Tilt and secure bevel angle setting to 33.9° LEFT.
- Adjust and secure miter angle setting to 31.6° RIGHT.
- Lay crown molding with its broad back (hidden) surface down on the turn base with its CEILING CONTACT EDGE against the guide fence on the saw.
- The finished piece to be used will always be on the LEFT side of the blade after the cut has been made.

In the case of right bevel cut



1. Inside corner 2. Outside corner

Table (A)

–	Molding position in the figure	Bevel angle		Miter angle	
		52/38° type	45° type	52/38° type	45° type
For inside corner	(a)	Right 33.9°	Right 30°	Right 31.6°	Right 35.3°
	(b)			Left 31.6°	Left 35.3°
For outside corner	(c)			Right 31.6°	Right 35.3°
	(d)			Right 31.6°	Right 35.3°

Table (B)

–	Molding position in the figure	Molding edge against guide fence	Finished piece
For inside corner	(a)	Wall contact edge should be against guide fence.	Finished piece will be on the Right side of blade.
	(b)	Ceiling contact edge should be against guide fence.	
For outside corner	(c)	Wall contact edge should be against guide fence.	Finished piece will be on the Left side of blade.
	(d)	Wall contact edge should be against guide fence.	

Example:

In the case of cutting 52/38° type crown molding for position (a) in the above figure:

- Tilt and secure bevel angle setting to 33.9° RIGHT.
- Adjust and secure miter angle setting to 31.6° RIGHT.
- Lay crown molding with its broad back (hidden) surface down on the turn base with its WALL CONTACT EDGE against the guide fence on the saw.
- The finished piece to be used will always be on the RIGHT side of the blade after the cut has been made.

Crown molding stopper

Optional accessory

Crown molding stoppers allow easier cuts of crown molding without tilting the saw blade. Install them on the turn base as shown in the figures.

At right 45° miter angle

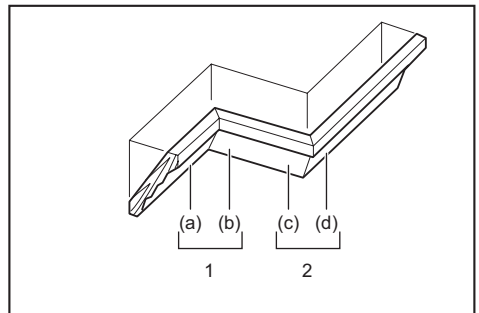
► Fig.64: 1. Crown molding stopper L 2. Crown molding stopper R 3. Turn base 4. Guide fence

At left 45° miter angle

► Fig.65: 1. Crown molding stopper L 2. Crown molding stopper R 3. Turn base 4. Guide fence

Position crown molding with its WALL CONTACT EDGE against the guide fence and its CEILING CONTACT EDGE against the crown molding stoppers as shown in the figure. Adjust the crown molding stoppers according to the size of the crown molding. Tighten the screws to secure the crown molding stoppers. Refer to the table (C) for the miter angle.

► Fig.66: 1. Guide fence 2. Crown molding stopper



1. Inside corner 2. Outside corner

Table (C)

–	Molding position in the figure	Miter angle	Finished piece
For inside corner	(a)	Right 45°	Save the right side of blade
	(b)	Left 45°	Save the left side of blade
For outside corner	(c)	Right 45°	Save the right side of blade
	(d)	Right 45°	Save the left side of blade

Cutting aluminum extrusion

- **Fig.67:** 1. Vise 2. Spacer block 3. Guide fence
4. Aluminum extrusion 5. Spacer block

When securing aluminum extrusions, use spacer blocks or pieces of scrap as shown in the figure to prevent deformation of the aluminum. Use a cutting lubricant when cutting the aluminum extrusion to prevent build-up of the aluminum material on the circular saw blade.

⚠ WARNING: Never attempt to cut thick or round aluminum extrusions. Thick or round aluminum extrusions can be difficult to secure and the work may loosen during the cutting operation which may result in loss of control and serious personal injury.

Groove cutting

⚠ WARNING: Do not attempt to perform this type of cut by using a wider type blade or dado blade.

Attempting to make a groove cut with a wider blade or dado blade could lead to unexpected cutting results and kickback which may result in serious personal injury.

⚠ WARNING: Be sure to return the stopper arm to the original position when performing other than groove cutting. Attempting to make cuts with the stopper arm in the incorrect position could lead to unexpected cutting results and kickback which may result in serious personal injury.

For a dado type cut, perform as follows:

1. Adjust the lower limit position of the circular saw blade using the adjusting screw and the stopper arm to limit the cutting depth of the circular saw blade. Refer to the section for stopper arm.

2. After adjusting the lower limit position of the circular saw blade, cut parallel grooves across the width of the workpiece using a slide (push) cut.

► **Fig.68:** 1. Cut grooves with blade

3. Remove the workpiece material between the grooves with a chisel.

Carrying tool

Before carrying the tool, be sure to remove the battery cartridge and all movable parts of the miter saw are secured. Always check the following:

- The battery cartridge is removed.
- The carriage is at 0° bevel angle position and secured.
- The carriage is lowered and locked.
- The carriage is fully slid to the guide fences and locked.
- The turn base is at the full right miter angle position and secured.
- The holders are stored and secured.

Carry the tool by holding both sides of the tool base.
► **Fig.69**

⚠ WARNING: Stopper pin for carriage elevation is for carrying and storage purposes only and not for any cutting operations. The use of the stopper pin for cutting operations may cause unexpected movement of the circular saw blade resulting in kickback and serious personal injury.

⚠ CAUTION: Always secure all moving portions before carrying the tool. If portions of the tool move or slide while being carried, loss of control or balance may occur and result in personal injury.

⚠ CAUTION: Be sure that the carriage elevation is properly locked at its bottom by the stopper pin. If the stopper pin is not engaged properly, the carriage may jump up suddenly and cause personal injury.

WIRELESS ACTIVATION FUNCTION

What you can do with the wireless activation function

The wireless activation function enables clean and comfortable operation. By connecting a supported vacuum cleaner to the tool, you can run the vacuum cleaner automatically along with the switch operation of the tool.

► **Fig.70**

To use the wireless activation function, prepare following items:

- A wireless unit (optional accessory)
- A vacuum cleaner which supports the wireless activation function

The overview of the wireless activation function setting is as follows. Refer to each section for detail procedures.

1. Installing the wireless unit
2. Tool registration for the vacuum cleaner
3. Starting the wireless activation function

Installing the wireless unit

Optional accessory

⚠ CAUTION: Place the tool on a flat and stable surface when installing the wireless unit.

NOTICE: Clean the dust and dirt on the tool before installing the wireless unit. Dust or dirt may cause malfunction if it comes into the slot of the wireless unit.

NOTICE: To prevent the malfunction caused by static, touch a static discharging material, such as a metal part of the tool, before picking up the wireless unit.

NOTICE: When installing the wireless unit, always be sure that the wireless unit is inserted in the correct direction and the lid is completely closed.

1. Open the lid on the tool as shown in the figure.

► **Fig.71:** 1. Lid

2. Insert the wireless unit to the slot and then close the lid.

When inserting the wireless unit, align the projections with the recessed portions on the slot.

- **Fig.72:** 1. Wireless unit 2. Projection 3. Lid
4. Recessed portion

When removing the wireless unit, open the lid slowly. The hooks on the back of the lid will lift the wireless unit as you pull up the lid.

- **Fig.73:** 1. Wireless unit 2. Hook 3. Lid

After removing the wireless unit, keep it in the supplied case or a static-free container.

NOTICE: Always use the hooks on the back of the lid when removing the wireless unit. If the hooks do not catch the wireless unit, close the lid completely and open it slowly again.

Tool registration for the vacuum cleaner

NOTE: A Makita vacuum cleaner supporting the wireless activation function is required for the tool registration.

NOTE: Finish installing the wireless unit to the tool before starting the tool registration.

NOTE: Avoid turning the following switches on during tool registration:

- switch trigger on the tool
- vacuum switch on the tool
- power switch on the vacuum cleaner

NOTE: Refer to the instruction manual of the vacuum cleaner, too.

If you wish to activate the vacuum cleaner along with the switch operation of the tool, finish the tool registration beforehand.

1. Install the batteries to the vacuum cleaner and the tool.

2. Set the stand-by switch on the vacuum cleaner to "AUTO".

► **Fig.74:** 1. Stand-by switch

3. Press the wireless activation button on the vacuum cleaner for 3 seconds until the wireless activation lamp blinks in green. And then press the wireless activation button on the tool in the same way.

► **Fig.75:** 1. Wireless activation button 2. Wireless activation lamp

If the vacuum cleaner and the tool are linked successfully, the wireless activation lamps will light up in green for 2 seconds and start blinking in blue.

NOTE: The wireless activation lamps finish blinking in green after 20 seconds elapsed. Press the wireless activation button on the tool while the wireless activation lamp on the cleaner is blinking. If the wireless activation lamp does not blink in green, push the wireless activation button briefly and hold it down again.

NOTE: When performing two or more tool registrations for one vacuum cleaner, finish the tool registration one by one.

Starting the wireless activation function

NOTE: Finish the tool registration for the vacuum cleaner prior to the wireless activation.

NOTE: Refer to the instruction manual of the vacuum cleaner, too.

After registering a tool to the vacuum cleaner, the vacuum cleaner will automatically runs along with the switch operation of the tool. Pull the switch trigger on the tool to function the vacuum cleaner during operation. The vacuum cleaner also starts to function by pressing the vacuum button on the tool out of any cutting operation.

► **Fig.76**

1. Install the wireless unit to the tool.

2. Connect the hose of the vacuum cleaner with the tool.

► **Fig.77**

3. Set the stand-by switch on the vacuum cleaner to "AUTO".

► **Fig.78:** 1. Stand-by switch

4. Push the wireless activation button on the tool briefly. The wireless activation lamp will blink in blue.

► **Fig.79:** 1. Wireless activation button 2. Wireless activation lamp

5. Pull the switch trigger of the tool. Check if the vacuum cleaner runs while the switch trigger is being pulled.

6. Press the vacuum button to function the vacuum cleaner. Check if the wireless activation lamp lights up in blue and the cleaner keeps running until you press the button again.

7. To cease vacuum operation, either release the switch trigger or press the vacuum button again. The vacuum cleaner stops running a few seconds after the switch operation, and then the lamp turns to blink in blue.

NOTE: Switch status (turning the cleaner on/off) can be learned in the wireless activation lamp. For details, refer to the section for description of the wireless activation lamp status.

8. To stop the wireless activation of the vacuum cleaner, push the wireless activation button on the tool.

NOTE: The wireless activation lamp on the tool will stop blinking in blue when there is no operation for 2 hours. In this case, set the stand-by switch on the vacuum cleaner to "AUTO" and push the wireless activation button on the tool again.

NOTE: The vacuum cleaner starts/stops with a delay. There is a time lag when the vacuum cleaner detects a switch operation of the tool.










NOTE: The transmission distance of the wireless unit may vary depending on the location and surrounding circumstances.

NOTE: When two or more tools are registered to one vacuum cleaner, the vacuum cleaner may start running even if you do not pull the switch trigger or turn on the vacuum button because another user is using the wireless activation function.

Description of the wireless activation lamp status

► Fig.80: 1. Wireless activation lamp

The wireless activation lamp shows the status of the wireless activation function. Refer to the table below for the meaning of the lamp status.

Status	Wireless activation lamp				Description
	Color	 On	 Blinking	Duration	
Standby	Blue			2 hours	The wireless activation of the vacuum cleaner is available. The lamp will automatically turn off when no operation is performed for 2 hours.
				When the tool is running.	The wireless activation of the vacuum cleaner is available and the tool is running.
Tool registration	Green			20 seconds	Ready for the tool registration. Waiting for the registration by the vacuum cleaner.
				2 seconds	The tool registration has been finished. The wireless activation lamp will start blinking in blue.
Cancelling tool registration	Red			20 seconds	Ready for the cancellation of the tool registration. Waiting for the cancellation by the vacuum cleaner.
				2 seconds	The cancellation of the tool registration has been finished. The wireless activation lamp will start blinking in blue.
Others	Red			3 seconds	The power is supplied to the wireless unit and the wireless activation function is starting up.
	Off	-		-	The wireless activation of the vacuum cleaner is stopped.

Cancelling tool registration for the vacuum cleaner

Perform the following procedure when cancelling the tool registration for the vacuum cleaner.

1. Install the batteries to the vacuum cleaner and the tool.
2. Set the stand-by switch on the vacuum cleaner to "AUTO".

► Fig.81: 1. Stand-by switch

3. Press the wireless activation button on the vacuum cleaner for 6 seconds. The wireless activation lamp blinks in green and then become red. After that, press the wireless activation button on the tool in the same way.

► Fig.82: 1. Wireless activation button 2. Wireless activation lamp

If the cancellation is performed successfully, the wireless activation lamps will light up in red for 2 seconds and start blinking in blue.

NOTE: The wireless activation lamps finish blinking in red after 20 seconds elapsed. Press the wireless activation button on the tool while the wireless activation lamp on the cleaner is blinking. If the wireless activation lamp does not blink in red, push the wireless activation button briefly and hold it down again.

Troubleshooting for wireless activation function

Before asking for repairs, conduct your own inspection first. If you find a problem that is not explained in the manual, do not attempt to dismantle the tool. Instead, ask Makita Authorized Service Centers, always using Makita replacement parts for repairs.

State of abnormality	Probable cause (malfunction)	Remedy
The wireless activation lamp does not light/blink.	The wireless unit is not installed into the tool. The wireless unit is improperly installed into the tool.	Install the wireless unit correctly.
	The terminal of the wireless unit and/or the slot is dirty.	Gently wipe off dust and dirt on the terminal of the wireless unit and clean the slot.
	The wireless activation button on the tool has not been pushed.	Push the wireless activation button on the tool briefly.
	The stand-by switch on the vacuum cleaner is not set to "AUTO".	Set the stand-by switch on the vacuum cleaner to "AUTO".
	No power supply	Supply the power to the tool and the vacuum cleaner.
Cannot finish tool registration / cancelling tool registration successfully.	The wireless unit is not installed into the tool. The wireless unit is improperly installed into the tool.	Install the wireless unit correctly.
	The terminal of the wireless unit and/or the slot is dirty.	Gently wipe off dust and dirt on the terminal of the wireless unit and clean the slot.
	The stand-by switch on the vacuum cleaner is not set to "AUTO".	Set the stand-by switch on the vacuum cleaner to "AUTO".
	No power supply	Supply the power to the tool and the vacuum cleaner.
	Incorrect operation	Push the wireless activation button briefly and perform the tool registration/cancellation procedures again.
	The tool and vacuum cleaner are away from each other (out of the transmission range).	Get the tool and vacuum cleaner closer to each other. The maximum transmission distance is approximately 10 m however it may vary according to the circumstances.
	Before finishing the tool registration/cancellation; - the switch trigger on the tool is pulled or; - the vacuuming button on the tool is turned on or; - the power button on the vacuum cleaner is turned on.	Push the wireless activation button briefly and perform the tool registration/cancellation procedures again.
	The tool registration procedures for the tool or vacuum cleaner have not finished.	Perform the tool registration procedures for both the tool and the vacuum cleaner at the same timing.
	Radio disturbance by other appliances which generate high-intensity radio waves.	Keep the tool and vacuum cleaner away from the appliances such as Wi-Fi devices and microwave ovens.
	The vacuum cleaner does not run along with the switch operation of the tool.	The wireless unit is not installed into the tool. The wireless unit is improperly installed into the tool.
The terminal of the wireless unit and/or the slot is dirty.		Gently wipe off dust and dirt on the terminal of the wireless unit and clean the slot.
The wireless activation button on the tool has not been pushed.		Push the wireless activation button briefly and make sure that the wireless activation lamp is blinking in blue.
The stand-by switch on the vacuum cleaner is not set to "AUTO".		Set the stand-by switch on the vacuum cleaner to "AUTO".
More than 10 tools are registered to the vacuum cleaner.		Perform the tool registration again. If more than 10 tools are registered to the vacuum cleaner, the tool registered earliest will be cancelled automatically.
The vacuum cleaner has failed to register tools successfully.		Renew tool registrations.
The vacuum cleaner erased all tool registrations.		Perform the tool registration again.
No power supply		Supply the power to the tool and the vacuum cleaner.
The tool and vacuum cleaner are away from each other (out of the transmission range).		Get the tool and vacuum cleaner closer each other. The maximum transmission distance is approximately 10 m however it may vary according to the circumstances.
Radio disturbance by other appliances which generate high-intensity radio waves.		Keep the tool and vacuum cleaner away from the appliances such as Wi-Fi devices and microwave ovens.
The vacuum cleaner runs while no switches for the tool are in operation.	Other users are using the wireless activation of the vacuum cleaner with their tools. Turn off the wireless activation button of the other tools or cancel the tool registration of the other tools.	

MAINTENANCE

⚠ WARNING: Always be sure that the tool is switched off and the battery cartridge is removed before attempting to perform inspection or maintenance. Failure to removing the battery cartridge and switch off the tool may result in accidental start up of the tool which may result in serious personal injury.

⚠ WARNING: Always be sure that the circular saw blade is sharp and clean for the best and safest performance. Attempting a cut with a dull and /or dirty blade may cause kickback and result in a serious personal injury.

⚠ CAUTION: Always be sure that the blade guard is being closed in the original position before attempting to perform inspection or maintenance. Never clamp or tie the blade guard into the open position during cleaning operations. An exposed blade may result in personal injury.

NOTICE: Never use gasoline, benzine, thinner, alcohol or the like. Discoloration, deformation or cracks may result.

To maintain product SAFETY and RELIABILITY, repairs, any other maintenance or adjustment should be performed by Makita Authorized or Factory Service Centers, always using Makita replacement parts.

Adjusting the cutting angle

This tool is carefully adjusted and aligned at the factory, but rough handling may have affected the alignment. If your tool is not aligned properly, perform the following:

Miter angle

Lower the handle fully and lock it in the lowered position with the stopper pin. Push the carriage towards the guide fence.

Rotate the grip counterclockwise and have the turn base ready for the positive stop function using the lock lever.

Then loosen the screws which secure the pointer and miter angle scale.

► **Fig.83:** 1. Grip 2. Lock lever 3. Screw on pointer 4. Screws on miter angle scale 5. Miter angle scale

Set the turn base to the 0° position using the positive stop function. Square the side of the circular saw blade with the face of the guide fence using a triangular rule or try-square. While keeping the square, tighten the screws on the miter angle scale. After that, align the pointers (both right and left) with the 0° position in the miter angle scale and then tighten the screw on the pointer.

► **Fig.84:** 1. Triangular rule 2. Pointer

Bevel angle

0° bevel angle

Push the carriage towards the guide fences and lock the sliding movement with the stopper pin. Lower the carriage fully and lock it in the lowered position with the stopper pin. Rotate the knob counterclockwise, and then turn the 0° adjusting bolt through two or three revolutions counterclockwise to tilt the circular saw blade to the right.

► **Fig.85:** 1. Knob 2. 0° Adjusting bolt 3. Screw on the pointer

Carefully square the side of the circular saw blade with the top surface of the turn base using the triangular rule, try-square, etc. by turning the 0° adjusting bolt clockwise. Then tighten the knob firmly to secure the 0° angle you have set.

► **Fig.86:** 1. Triangular rule 2. Saw blade 3. Top surface of turn base

Check if the side of the circular saw blade squares with the turn base surface once again. Loosen the screw on the pointer. Align the pointer with 0° position in the bevel angle scale and then tighten the screw.

45° bevel angle

NOTICE: Before adjusting the 45° bevel angle, finish 0° bevel angle adjustment.

Loosen the knob and fully tilt the carriage to the side that you want to check. Check if the pointer indicates the 45° position in the bevel angle scale.

► **Fig.87:** 1. Knob

If the pointer does not indicate the 45° position, align it with the 45° position by turning the adjusting bolt in the bevel angle scale on the opposite side of the base.

► **Fig.88:** 1. Left 45° adjusting bolt 2. Right 45° adjusting bolt

Cleaning lamp lens

⚠ CAUTION: Always remove the circular saw blade before cleaning the lamp lens.

NOTICE: Do not remove the screw which secures the lens. If the lens does not come out, loosen the screw further.

NOTICE: Use a dry cloth to wipe the dirt off the lens of the lamp. Be careful not to scratch the lens of lamp, or it may lower the illumination.

NOTICE: Do not use solvents or any petroleum-based cleaners on the lens.

The LED light becomes hard to see as the lens for the light gets dirty. Clean the lens at regular intervals. Remove the battery cartridge. Loosen the screw and pull out the lens. Clean the lens gently with a damp soft cloth.

► **Fig.89:** 1. Screw 2. Lens

After use

After use, wipe off chips and dust adhering to the tool with a cloth or the like. Keep the blade guard clean according to the directions in the previously covered section titled "Blade guard". Lubricate the sliding portions with machine oil to prevent rust.

OPTIONAL ACCESSORIES

⚠ WARNING: These Makita accessories or attachments are recommended for use with your Makita tool specified in this manual. The use of any other accessories or attachments may result in serious personal injury.

⚠ WARNING: Only use the Makita accessory or attachment for its stated purpose. Misuse of an accessory or attachment may result in serious personal injury.

If you need any assistance for more details regarding these accessories, ask your local Makita Service Center.

- Carbide-tipped saw blades
- Vertical vise
- Horizontal vise
- Crown molding stopper set
- Dust bag
- Triangular rule
- Hex wrench
- Wireless unit
- Stand set
- Sub base
- Makita genuine battery and charger

NOTE: Some items in the list may be included in the tool package as standard accessories. They may differ from country to country.

SPECIFIKATIONER

Modell:		LS004G
Klingdiameter	Länder i Europa	260 mm
	Länder utanför Europa	255 - 260 mm
Håldiameter	Länder i Europa	30 mm
	Länder utanför Europa (landsspecifikt)	15,88 mm / 25,4 mm / 30 mm
Max skärtjocklek på sågklingan		3,2 mm
Max. geringsvinkel		Höger 60°, vänster 60°
Max. för vinkelsågning		Höger 48°, vänster 48°
Hastighet utan belastning (RPM)		3 600 min ⁻¹
Mått (L x B x H)		805 mm x 644 mm x 660 mm
Märkspänning		36 V - 40 V likström max
Nettovikt		26,6 - 27,2 kg

Kapningskapacitet (H x B)

Geringsvinkel	Vinkel för vinkelsågning		
	45° (vänster)	0°	45° (höger)
0°	42 mm x 310 mm 58 mm x 279 mm	68 mm x 310 mm 91 mm x 279 mm	29 mm x 310 mm 43 mm x 279 mm
45° (höger och vänster)	42 mm x 218 mm 58 mm x 197 mm	68 mm x 218 mm 91 mm x 197 mm	29 mm x 218 mm 43 mm x 197 mm
60° (höger och vänster)	-	68 mm x 155 mm 91 mm x 139 mm	-

Kapningskapacitet för specialkapningar

Typ av kapning	Kapningskapacitet
Typ kronlist 45° (med stopp för kronlist)	168 mm
Golvlister (med horisontaltving)	133 mm

- På grund av vårt pågående program för forskning och utveckling kan dessa specifikationer ändras utan föregående meddelande.
- Specifikationer kan variera mellan olika länder.
- Vikten kan variera beroende på tillbehören, inklusive batterikassett. Den lättaste och den tyngsta kombinationen enligt EPTA-procedur 01/2014 visas i tabellen.

Tillgänglig batterikassett och laddare

Batterikassett	BL4020 / BL4025 / BL4040* / BL4050F* * : Rekommenderat batteri
Laddare	DC40RA / DC40RB / DC40RC

- Vissa av batterikassetterna och laddarna på listan ovan kanske inte finns tillgängliga i din region.

⚠ VARNING: Använd endast batterikassetter och laddare från listan ovan. Användning av andra batterikassetter och laddare kan orsaka personskada och/eller brand.

Symboler

Följande visar symbolerna som kan användas för utrustningen. Se till att du förstår innebörden innan användning.

	Läs igenom bruksanvisningen.
	Använd skyddsglasögon.
	För att undvika skador från flygande materialrester, fortsätt att hålla ned såghuvudet efter att du har sågat färdigt, tills bladet har stannat helt.
	Vid vinkelsågning ska ratten först vridas moturs och sedan ska vagnen lutas. Vrid därefter ratten medurs för att dra åt igen.
	Vid skjutsågning, dra först ut vagnen så långt som möjligt, tryck ned handtaget och skjut sedan vagnen mot anhället.
	Håll ner frikopplingsknappen när du lutar vagnen åt höger.
	Aktivera stoppspaken när du kapar en skiva i 45° geringsvinkel.
	Håll inte handen eller fingrarna i närheten av sågbladet.
	Stirra inte in i driftlampan.
	A: Bladdiameter B: Håldiameter
	Montera inte den horisontella tvingen i samma riktning som geringsågningen. (Denna symbol gäller för horisontell tving)
	Ni-MH Li-Ion
	Gäller endast inom EU P.g.a. förekomsten av farliga komponenter i utrustningen kan avfall innehållande elektrisk och elektronisk utrustning, ackumulatörer och batterier ha negativ inverkan på miljön och människors hälsa. Kasserar inte elektriska och elektroniska apparater eller batterier ihop med hushållsavfall! I enlighet med EU-direktiven om avfall som utgörs av eller innehåller elektrisk och elektronisk utrustning och om batterier och ackumulatörer och förbrukade batterier och ackumulatörer, och dess införlivande i nationell lagstiftning, bör förbrukat elektrisk och elektronisk utrustning, batterier och ackumulatörer förvaras separat och transporteras till en särskild uppsamlingsplats för kommunalt avfall, som drivs i enlighet med regelverket för miljöskydd. Detta anges av symbolen med den överkryssade soptunnan på hjul som sitter på utrustningen.

Avsedd användning

Maskinen är avsedd för exakt rak sågning och geringsågning i trä.
Använd inte sågen till annat än för sågning av trä, aluminium eller liknande material.

Buller

Den normala bullernivån för A-belastning är bestämd enligt EN62841-3-9:

Ljudtrycksnivå (L_{pA}): 91 dB (A)

Ljudeffektnivå (L_{WA}): 100 dB (A)

Mättolerans (K): 3 dB (A)

OBS: Det deklarerade bullervärdet har uppmätts i enlighet med standardtestmetoden och kan användas för jämförandet av en maskin med en annan.

OBS: Det deklarerade bulleremissionsvärdet kan också användas i en preliminär bedömning av exponering för vibration.

⚠ VARNING: Använd hörselskydd.

⚠ VARNING: Bulleremissionen under faktisk användning av maskinen kan skilja sig från det deklarerade värdet, beroende på hur maskinen används och särskilt vilken typ av arbetsstycke som behandlas.

⚠ VARNING: Var noga med att identifiera säkerhetsåtgärder för att skydda användaren, vilka är grundade på en uppskattning av graden av exponering för vibrationer under de faktiska användningsförhållandena, (ta, förutom avtryckartiden, med alla delar av användarcykeln i beräkningen, som till exempel tiden då maskinen är avstängd och när den går på tomgång).

EG-försäkring om överensstämmelse

Gäller endast inom EU

EG-försäkring om överensstämmelse inkluderas som bilaga A till denna bruksanvisning.

SÄKERHETSVARNINGAR

Allmänna säkerhetsvarningar för maskiner

⚠ VARNING: Läs alla säkerhetsvarningar, anvisningar, illustrationer och specifikationer som medföljer det här maskinen. Underlåtenhet att följa instruktionerna kan leda till elstöt, brand och/eller allvarliga personskador.

Spara alla varningar och instruktioner för framtida referens.

Termen "maskin" som anges i varningarna hänvisar till din eldrivna maskin (sladdansluten) eller batteridrivna maskin (sladdlös).

Säkerhetsinstruktioner för geringsågar

1. Geringssågar är avsedda för att såga i trä eller träliknande material. De får inte användas med kapskivor för att kapa stål som stänger, armeringsjärn, nitar etc. Abrasivt damm gör så att rörliga delar som det nedre skyddets fastnar. Gnistor från abrasivt kapande kommer att bränna det nedre skyddet, skärinsatsen och andra plastdelar.

2. Använd klämmor när det är möjligt för att stödja arbetsstycket. Om du håller arbetsstycket med händerna måste du alltid med minst 100 mm från sågklingan. Använd inte denna såg för att såga ut bitar som är för små för att kunna klämmas fast ordentligt eller hållas säkert för hand. Om din hand är placerad för nära sågklingan finns det en ökad risk för skada från kontakt med klingan.
 3. Arbetsstycket måste vara stationärt och fastklämt eller hållas mot både anhället och bordet. Mata inte in arbetsstycket i klingan eller kapa på "fri hand" på något sätt. Lösa eller rörliga arbetsstycken kan slungas ut med hög hastighet och orsaka skada.
 4. Tryck sågen genom arbetsstycket. Dra inte sågen genom arbetsstycket. För att kapa, lyft upp såghuvudet och dra ut det över arbetsstycket utan att kapa, starta motorn, tryck ner såghuvudet och tryck ner sågen genom arbetsstycket. Om du säger vid dragningen "klättrar" troligen sågklingan upp på arbetsstycket och kastar klingenhetskraftigt mot användaren.
 5. För aldrig händerna över den avsedda kaplinjen, varken framför eller bakom sågklingan. Att stödja arbetsstycket "korsvis" t.ex. genom att hålla arbetsstycket på höger sida med din vänstra hand eller vice versa är väldigt farligt.
- **Fig.1**
6. Sträck inte in händerna bakom anhället närmre än 100 mm på vardera sidan av sågklingan, varken för att ta bort trärester eller för några andra orsaker när klingan snurrar. Närheten från den roterande sågklingan och din hand kanske inte är uppenbara och du kan skada dig allvarligt.
 7. Inspektera arbetsstycket innan kapning. Om arbetsstycket är böjt eller vridet, spänn fast det med den böjda sidan mot anhället. Se alltid till att det inte finns något mellanrum mellan arbetsstycket, anhället och bordet utmed såglinjen. Böjda eller vrängda arbetsstycken kan vrida sig eller flyttas och göra så att den roterande sågklingan fastnar när du kapar. Det får inte finnas spikar eller främmande föremål i arbetsstycket.
 8. Använd inte sågen innan bordet är fritt från alla verktyg, träbitar mm., förutom arbetsstycket. Små föremål eller lösa träbitar eller andra föremål som kommer i kontakt med den roterande klingan kan slungas iväg med hög hastighet.
 9. Kapa endast ett arbetsstycke i taget. Flera arbetsstycken staplade på varandra kan inte klämmas fast/stötta ordentligt och kan göra så att klingan fastnar eller flyttas vid kapning.
 10. Se till att geringssågen är monterad eller placerad på en plan, stabil arbetsyta innan användning. En plan och stabil arbetsyta minskar risken för att girsågen blir ostabil.
 11. Planera ditt arbete. Varje gång du ändrar inställning på vinkeln eller geringssågen, se till att det justerbara anhället är ordentligt inställt för att stödja arbetsstycket och inte stör med klingan eller skyddssystemet. Utan att ställa verktyget i läge "PÅ" och utan arbetsstycke på bordet, förflytta sågklingan en komplett simulerad kapning för att säkerställa att inte anhället stör eller risk föreligger att du säger i det.
 12. Applicera tillräckligt med stöd, som bordsförlängning, sågbock etc. för arbetsstycken som är längre eller bredare än bordsskivan. Arbetsstycken som är längre eller bredare än geringssågens bord kan välta om de inte stöds ordentligt. Om den kapade delen eller arbetsstycket välter kan de lyfta det nedre skyddet eller slungas ut av den roterande klingan.
 13. Använd inte en annan person som ersättning för en bordsförlängning eller som extra stöd. Ostabil stöd för arbetsstycket kan göra så att klingan fastnar eller så att arbetsstycket flyttas vid kapning, vilket kan dra både dig och den assisterande personen in i den roterande klingan.
 14. Den kapade delen får inte fastna eller tryckas mot den roterande sågklingan på något sätt. Om den begränsas, t.ex. med längdstopp, kan den kapade delen fastna mot klingan och slungas kraftigt.
 15. Använd alltid en klämma eller skruvning avsedd att korrekt stödja runda material som stänger eller rör. Stänger har en tendens att rulla när de kapas vilket får bladet att "bita" och dra arbetsstycket med din hand in i klingan.
 16. Låt klingan uppnå full hastighet innan den kommer i kontakt med arbetsstycket. Detta minskar risken för att arbetsstycket slungas iväg.
 17. Om arbetsstycket eller klingan fastnar, stäng av geringssågen. Vänta tills alla rörliga delar stannat och koppla från kontakten från strömkällan och/eller ta bort batteripaketet. Därefter kan du avlägsna det material som har fastnat. Att fortsätta säga med ett arbetsstycke som har fastnat kan leda till förlust av kontroll eller skada på geringssågen.
 18. När du har kapat färdigt, släpp knappen, håll nere såghuvudet och vänta tills klingan har stannat innan du tar bort den kapade delen. Att sträcka in handen nära den roterande klingan är farligt.
 19. Håll handtaget stadigt när du gör ett ofullständigt kap eller när du släpper knappen innan såghuvudet är hela vägen nere. Sågens bromsfunktion kan leda till att såghuvudet plötsligt dras nedåt och orsaka skada.
 20. Använd endast sågklingor med den diameter som finns markerad på verktyget eller angiven i bruksanvisningen. Om en klinga med fel storlek används kan det påverka klingans skydd eller skyddets funktion, vilket kan leda till allvarlig personskada.
 21. Använd endast sågblad som är märkta med ett maximalt varvtal som är lika med eller högre än varvtalet som är märkt på maskinen.
 22. Använd inte sågen till annat än för sågning av trä, aluminium eller liknande material.
 23. (endast för länder i Europa) Använd alltid blad som överensstämmer med EN847-1.

Ytterligare instruktioner

1. Barnsäkra arbetsplatsen med hänglås.
2. Stå aldrig på maskinen. Allvarlig skada kan uppstå om maskinen välter eller om du oavsiktligt kommer i kontakt med skärverktyget.

3. Lämna aldrig maskinen obehövad när den är igång. Bryt strömmen. Lämna inte maskinen förrän den har stannat helt.
4. Använd inte sägen om inte skydden är på plats. Kontrollera att klingskyddet är stängt före varje sågning. Använd inte sägen om klingskyddet kärvar och inte stängs omedelbart. Kila aldrig fast klingskyddet i öppet läge.
5. Håll händerna borta från sågklingans väg. Undvik kontakt med roterande sågklingor. De kan fortfarande orsaka allvarliga skador.
6. För att minska risken för skada ska vagnen föras tillbaka till den bakersta positionen efter varje tvärsågning.
7. Fäst alltid alla rörliga delar innan du bär maskinen.
8. Lässpinnen eller spärrarmen som låser såghuvudet på plats är endast avsedd att användas vid förvaring eller transport och inte för sågning.
9. Kontrollera före användning att knivarna inte är spruckna eller skadade. Byt omedelbart ut en skadad eller sprucken kniv. Gummi- och trärester på klingan hindrar sågningen och ökar risken för bakåtkast. Ta bort klingan från sägen och gör rent den med ett borttagningsmedel för gummi- och trärester, varmt vatten och fotogen. Använd aldrig bensin för att göra rent klingan.
10. Vid skjutsågning kan BAKÅTKAST ske. BAKÅTKAST sker när klingan fastnar i arbetsstycket vid sågning och sågklingan tvingas snabbt mot användaren. Detta kan leda till förlust av kontroll och allvarlig personskada. Om klingan börjar fastna vid sågning, fortsätt inte säga och släpp genast knappen.
11. Använd endast flänsar som är avsedda för den här maskinen.
12. Var försiktig så att inte axeln, flänsarna (särskilt monteringsytan) eller bulten skadas. Skador på någon av dessa delar kan medföra att bladet förstörs.
13. Se till att bordet är ordentligt fäst, så att det inte rör sig under arbetet. Använd hålen i basen för att fästa sägen i en stabil arbetsplattform eller bänk. Använd ALDRIG maskinen om du måste stå i en obehövlig position.
14. Se till att spindellåset är öppet innan strömbrytaren slås på.
15. Kontrollera att bladet inte vidrör bordet i dess lägsta position.
16. Håll stadigt i handtaget. Var uppmärksam på att sägen rör sig något upp och ned under start och stopp.
17. Se till att bladet inte är i kontakt med arbetsstycket innan du trycker på avtryckaren.
18. Låt verktyget vara igång en stund innan det används på arbetsstycket. Kontrollera att bladet inte vibrerar eller skakar vilket kan innebära att det är felaktigt monterat eller dåligt balanserat.
19. Stanna maskinen omedelbart om du lägger märke till något onormalt.
20. Försök inte att låsa avtryckaren i läge "PÅ".
21. Använd alltid de tillbehör som rekommenderas i denna bruksanvisning. Opassande tillbehör som till exempel sliprondeller kan orsaka skada om de används.
22. Vissa material kan innehålla giftiga kemikalier. Se till att du inte andas in dammet eller får något på huden. Följ anvisningarna i leverantörens materialsäkerhetsblad.
23. Använd inte en nätansluten strömförsörjning med denna maskin.

Ytterligare säkerhetsanvisningar för lampan

1. Titta inte in i ljuset eller direkt in i ljuskällan.

SPARA DESSA ANVISNINGAR.

⚠ VARNING: GLÖM INTE att också fortsättningsvis strikt följa säkerhetsanvisningarna för maskinen även efter att du blivit van att använda den. Vid FELAKTIG HANTERING av maskinen eller om inte säkerhetsanvisningarna i denna bruksanvisning följs kan följden bli allvariga personskador.

Viktiga säkerhetsanvisningar för batterikassetten

1. Innan batterikassetten används ska alla instruktioner och varningsmärken på (1) batteriladdaren, (2) batteriet och (3) produkten läsas.
2. Montera inte isär eller mixtra med batterikassetten. Det kan leda till brand, överdriven värme eller explosion.
3. Om drifttiden blivit avsevärt kortare ska användningen avbrytas omedelbart. Det kan uppstå överhettning, brännskador och t o m en explosion.
4. Om du får elektrolyt i ögonen ska de sköljas med rent vatten och läkare uppsöks omedelbart. Det finns risk för att synen förloras.
5. Kortslut inte batterikassetten.
 - (1) Rör inte vid polerna med något strömförande material.
 - (2) Undvik att förvara batterikassetten tillsammans med andra metallobjekt som t.ex. spikar, mynt o.s.v.
 - (3) Skydda batteriet mot vatten och regn. En batterikortslutning kan orsaka ett stort strömflöde, överhettning, brand och maskinhaveri.
6. Förvara och använd inte verktyget och batterikassetten på platser där temperaturen kan nå eller överstiga 50 °C.
7. Bränn inte upp batterikassetten även om den är svårt skadad eller helt utsliten. Batterikassetten kan explodera i öppen eld.
8. Spika inte i, krossa, kasta, tappa eller slå batterikassetten mot hårda föremål. Dylka handlingar kan leda till brand, överdriven värme eller explosion.
9. Använd inte ett skadat batteri.
10. De medföljande litiumjonbatterierna är föremål för kraven i gällande lagstiftning för farligt gods.

För kommersiella transporter (av t.ex. tredje parter som speditorsfirmor) måste de särskilda transportkrav som anges på emballaget och etiketter iakttas.

För att förbereda den produkt som ska avsändas krävs att du konsulterar en expert på riskmaterial. Var också uppmärksam på att det i ditt land kan finnas ytterligare föreskrifter att följa.

Tejpa över eller maskera blottade kontakter och packa batteriet på sådant sätt att det inte kan röra sig fritt i förpackningen.

11. När batterikassetten ska kasseras måste den tas bort från maskinen och kasseras på ett säkert sätt. Följ lokala föreskrifter beträffande avfallshantering av batteriet.
12. Använd endast batterierna med de produkter som specificerats av Makita. Att använda batterierna med ej godkända produkter kan leda till brand, överdriven värme, explosion eller utläckande elektrolyt.
13. Om maskinen inte används under en lång tid måste batteriet tas bort från maskinen.
14. Under och efter användning kan batterikassetten bli het vilket kan orsaka brännskador eller lättare brännskador. Var uppmärksam på hur du hanterar varma batterikassetter.
15. Vidrör inte verktygets kontakter direkt efter användning eftersom de kan bli heta och orsaka brännskador.
16. Låt inte flisor, damm eller smuts fastna i kontaktarna, i hål eller spår i batterikassetten. Det kan leda till dålig prestanda eller till att verktyget eller batterikassetten går sönder.
17. Såvida inte verktyget stöder arbeten i närheten av högspanningsledning får batterikassetten inte användas i närheten av en högspanningsledning. Det kan leda till att verktyget eller batterikassetten går sönder eller inte fungerar korrekt.
18. Förvara batteriet utom räckhåll för barn.

SPARA DESSA ANVISNINGAR.

⚠ FÖRSIKTIGT: Använda endast äkta Makita-batterier. Användning av oäkta Makita-batterier eller batterier som har manipulerats kan leda till person- och utrustningsskador eller till att batteriet fattar eld. Det upphäver också Makitas garanti för verktyget och laddaren.

Tips för att uppnå batteriets maximala livslängd

1. Ladda batterikassetten innan den är helt urladdad. Stanna alltid maskinen och ladda batterikassetten när du märker att maskinen blir svagare.
2. Ladda aldrig en fulladdad batterikassett. Överladdning förkortar batteriets livslängd.
3. Ladda batterikassetten vid en rumstemperatur på 10 °C - 40 °C. Låt en varm batterikassett svalna innan den laddas.
4. När batterikassetten inte används ska den tas bort från verktyget eller laddaren.
5. Ladda batterikassetten om du inte har använt den på länge (mer än sex månader).

Viktiga säkerhetsanvisningar för den trådlösa enheten

1. Montera inte isär eller manipulera den trådlösa enheten.
2. Förvara den trådlösa enheten utom räckhåll för barn. Om den råkar sväljas, sök omedelbart läkarhjälp.
3. Använd den trådlösa enheten endast ihop med Makita-verktyg.
4. Utsätt inte den trådlösa enheten för regn eller våta förhållanden.
5. Använd inte den trådlösa enheten på platser där temperaturen överstiger 50 °C.
6. Använd inte den trådlösa enheten på platser där medicinska instrument som pacemakers finns i närheten.
7. Använd inte den trådlösa enheten på platser där automatiska enheter finns i närheten. Om de är igång kan automatiska enheter utveckla funktionsstörningar eller fel.
8. Använd inte den trådlösa enheten på platser med hög temperatur eller där det kan skapas statisk elektricitet eller elektriskt brus.
9. Den trådlösa enheten kan alstra elektromagnetiska fält (EMF) men dessa är inte skadliga för användaren.
10. Den trådlösa enheten är ett noggrant instrument. Var försiktig så att du inte råkar tappa den trådlösa enheten eller utsätta den för stötar.
11. Undvik att vidröra den trådlösa enhetens terminal med bara händer eller metallmaterial.
12. Ta alltid bort batteriet på produkten när du installerar den trådlösa enheten på den.
13. När du öppnar skärans lock, undvik då det ställe där damm och vatten kan komma in i skåran. Håll alltid skärans inlopp rent.
14. Sätt alltid in den trådlösa enheten i rätt riktning.
15. Tryck inte för hårt på knappen för trådlös aktivering på den trådlösa enheten, och tryck inte på knappen med ett föremål med vass kant.
16. Stäng alltid skärans lock vid körning.
17. Ta inte bort den trådlösa enheten från skåran medan ström tillförs till verktyget. Att göra det kan orsaka funktionsfel på den trådlösa enheten.
18. Ta inte bort dekalen på den trådlösa enheten.
19. Sätt inte någon dekal på den trådlösa enheten.
20. Lämna inte den trådlösa enheten någonstans där det kan skapas statisk elektricitet eller elektriskt brus.
21. Lämna inte den trådlösa enheten någonstans där den utsätts för hög värme, t.ex. en bil i solen.
22. Lämna inte den trådlösa enheten på ett dammigt eller pulvrigt ställe eller någonstans där korrosiv gas kan bildas.
23. Plötsliga temperaturförändringar kan göra den trådlösa enheten dagbestänkt. Använd inte den trådlösa enheten förrän dagen helt har torkat bort.
24. När den trådlösa enheten rengörs, torka den då med en torr mjuk duk. Använd inte tvättbensin, thinner, konduktivt fett eller liknande.
25. När den trådlösa enheten ska tas i förvar, ha den då i det tillhörande fodralet eller en behållare med skydd mot statisk laddning.

26. Sätt inte in några andra enheter än den trådlösa Makita-enheten i skåran på verktyget.
27. Använd inte verktyget om skårens lock är skadat. Det kan komma in vatten, damm och smuts i skåran som orsakar funktionsfel.
28. Dra eller vrid inte skårens lock mer än nödvändigt. Sätt tillbaka locket om det lossnar från verktyget.
29. Ersätt skårens lock om det går förlorat eller skadas.

SPARA DESSA ANVISNINGAR.

BESKRIVNING AV DELAR

► Fig.2

1	Ratt (för vinkel)	2	Insexnyckel	3	Inställningsskruv (för nedre gränsläget)	4	Inställningsbult (för maximal sågningkapacitet)
5	Stopparm	6	Startspärr	7	Avtryckare	8	Lock (för trådlös enhet)
9	Hål för hänglås	10	Knapp för trådlös aktivering	11	Lampa för trådlös aktivering	12	Lampknapp
13	Vakuumpknapp	14	Klinghölje	15	Bladskydd	16	Hållare
17	Säkerhetsspärr (för geringsskiva)	18	Frikopplingspak (för geringsskiva)	19	Handtag (för geringsskiva)	20	Spärbädd
21	Vinkel geringsskala	22	Pekare (för vinkel)	23	Geringsskiva	24	Frikopplingsknapp (för vinkel på höger sida)
25	Vertikal tving	26	Låstapp (för skjutning av vagn)	27	Skjutstång	-	-

► Fig.3

1	Handtag	2	Batterikassett	3	Dammpåse (när ersat med en dammuppsamlings slang)	4	Slang (för dammuppsamling)
5	0° inställningsbult (för vinkel)	6	Vinkelskala	7	Pekare (för vinkel)	8	45° inställningsbult (för vinkel)
9	Spärreglage (för vinkel)	10	Frikopplingspak (för 48°-vinkel)	11	Anhåll (övre anhåll)	12	Anhåll (nedre anhåll)
13	Låstapp (för upphöjning av vagn)	14	Spindellås	-	-	-	-

INSTALLATION

Installera handtaget

Skruva fast den gängade delen av gandtaget i geringsskivan.

► **Fig.4:** 1. Handtag 2. Geringsskiva

Montera och ta bort slangen för dammuppsamling

Fäst slangens vinkelrör i den övre öppningen med låsknappen uppåt. För in slangens hylsa i den nedre öppningen, tryck in och rikta in stoppknapparna på hylsan med styrspärr på porten.

Se till att vinkelröret och hylsan passar ordentligt på verktygets öppning.

► **Fig.5:** 1. Dammuppsamlings slang 2. Vinkelrör 3. Låsknapp 4. Hylsa 5. Övre öppning 6. Nedre öppning

Dra i slangens vinkelrör samtidigt som du trycker ner låsknappen för att ta bort vinkelröret från öppningen.

► **Fig.6:** 1. Låsknapp 2. Vinkelrör

För att ta bort slangens hylsa från öppningen, dra i hylsan medan du trycker på stoppknapparna på båda sidor om öppningen.

► **Fig.7:** 1. Stoppknapp 2. Hylsa

Bänkmontage

När maskinen levereras från fabriken är handtaget låst i nedsänkt läge av låstappen. Sänk handtaget lite, dra låstappen och vrid den 90°.

► **Fig.8:** 1. Låst position 2. Olåst position 3. Låstapp

Maskinen skall fästas på en plan och stabil yta med fyra bultar i de bulthål som finns i maskinens bottenplatta. Detta förhindrar att maskinen välter och orsakar skada.

► **Fig.9:** 1. Bultar

⚠ VARNING: Se till att maskinen inte kan röra sig på stödytan. Om geringssågen rör sig på stödytan medan du sågar kan det leda till att du tappar kontrollen över maskinen och att allvarlig personskada uppstår.

FUNKTIONSBESKRIVNING

⚠ VARNING: Se alltid till att maskinen är avstängd och att batterikassetten är borttagen innan du justerar eller kontrollerar funktionerna på maskinen. Om du inte stänger av maskinen och tar bort batterikassetten kan maskinen oavsiktligt starta, vilket kan leda till allvarlig personskada.

Montera eller demontera batterikassetten

⚠ FÖRSIKTIGT: Stäng alltid av maskinen innan du monterar eller tar bort batterikassetten.

⚠ FÖRSIKTIGT: Håll stadigt i maskinen och batterikassetten när du monterar eller tar bort batterikassetten. I annat fall kan det leda till att de glider ur dina händer och orsakar skada på maskinen och batterikassetten samt personskada.

► **Fig.10:** 1. Röd indikator 2. Knapp 3. Batterikassett

Ta bort batterikassetten genom att skjuta ner knappen på kassetten framsida samtidigt som du drar ut batterikassetten.

Sätt i batterikassetten genom att rikta in tungan på batterikassetten mot spåret i höljet och skjut den på plats. Tryck in batterikassetten ordentligt tills den låser fast med ett klick. Om du kan se den röda indikatorn som bilden visar är den inte låst ordentligt.

⚠ FÖRSIKTIGT: Sätt alltid i batterikassetten helt tills den röda indikatorn inte längre syns. I annat fall kan den oväntat falla ur verktyget och skada dig eller någon annan.

⚠ FÖRSIKTIGT: Montera inte batterikassetten med våld. Om kassetten inte lätt glider på plats är den felinsatt.

Skyddssystem för maskinen/batteriet

Maskinen är utrustad med ett skyddssystem för maskinen-/batteriet. Detta system bryter automatiskt strömmen till motorn för att förlänga maskinens och batteriets livslängd. Maskinen stoppar automatiskt under användningen om maskinen eller batteriet hamnar i en av följande situationer. Indikatorerna tänds i vissa situationer.

Överbelastningsskydd

Om maskinen/batteriet används på ett sätt som gör att det drar onormalt mycket ström kan maskinen stoppa automatiskt. När detta sker stänger du av maskinen och upphör med arbetet som gjorde att den överbelastades. Starta därefter upp maskinen igen.

Överhettningsskydd

När verktyget/batteriet överhettas stoppas verktyget automatiskt och lampan börjar blinka. I det läget låter du verktyget svalna innan du startar det igen.










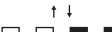

Överurladdningsskydd

När batterikapacitet är låg stannar verktyget automatiskt. Om verktyget inte fungerar konsekvent med hur knappen används, tar du bort batteriet från verktyget och laddar den.

Indikerar kvarvarande batterikapacitet

Tryck på kontrollknappen på batterikassetten för att se kvarvarande batterikapacitet. Indikatorlamporna lyser i ett par sekunder.

► **Fig.11:** 1. Indikatorlampor 2. Kontrollknapp

Indikatorlampor			Kvarvarande kapacitet
 Upplyst	 Av	 Blinkar	
			75% till 100%
			50% till 75%
			25% till 50%
			0% till 25%
			Ladda batteriet.
			Batteriet kan ha skadats.
			
			

OBS: Beroende på användningsförhållanden och den omgivande temperaturen kan indikationen skilja sig lätt från den faktiska batterikapaciteten.

OBS: Den första (längst till vänster) indikatorlampan kommer att blinka när batteriskyddssystemet fungerar.

Handtagslås

⚠ FÖRSIKTIGT: Håll alltid i handtaget när du lossar på låstappen. Annars fjädrar handtaget upp vilket kan leda till personskada.

Handtaget kan låsas med låstappen i antingen det nedsänkta läget eller det upphöjda läget. Sänk eller höj handtaget helt, och dra och vrid sedan låstappen till låst position. Lossa spärrarmen genom att dra i låstappen och vrid den 90° i olåst position samtidigt som du sänker handtaget aningen.

► **Fig.12:** 1. Låst position 2. Olåst position 3. Låstapp

Skjutlås

Dra låstappen och vrid den 90° till olåst position för full rörelsefrihet av vagnen. För att låsa vagnens skjutrörelse trycker man vagnen mot armen tills det tar stopp och sätter sedan låstappen i låst position igen.

► **Fig.13:** 1. Låst position 2. Olåst position 3. Låstapp 4. Arm

Klingskydd

⚠ VARNING: Blockera aldrig eller avlägsna klingskyddet eller den fjäder som är fäst på skyddet. I annat fall kan det leda till allvarig personskada under användningen.

⚠ VARNING: Använd aldrig maskinen om klingskyddet eller fjädern är skadad, inte fungerar korrekt eller är borttagen. I annat fall kan det leda till allvarig personskada.

⚠ FÖRSIKTIGT: Håll alltid klingskyddet i ett bra skick för säker användning. Avbryt arbete omedelbart om klingskyddet inte fungerar som det ska. Kontrollera även att fjädern gör att klingskyddet går tillbaka.

När handtaget sänks ned, höjs klingskyddet automatiskt. Klingskyddet är försett med en fjäder så att det går tillbaka till ursprungs läget när sågningen är avslutad och handtaget höjs.

► **Fig.14:** 1. Klingskydd

Rengöring

Om det genomskinliga klingskyddet blir smutsigt, eller om sågspån fastnar på det så att klingan och/eller arbetsstycket inte längre syns bra, måste batterikassetten tas bort och skyddet rengöras noga med en fuktig trasa. Använd inte lösningsmedel eller petroleumbaseerade rengöringsmedel då det skadar plasten i skyddet. Följ instruktionerna steg för steg för att förbereda för rengöring.

1. Säkerställ att verktyget är avstängt samt att batterikassetten avlägsnas.

2. Vrid insexbulten moturs med den medföljande insexnyckeln medan du håller fast mitthöljet.

3. Lyft på klingskyddet och mitthöljet.

4. När du har rengjort färdigt sätter du tillbaka mitthöljet och drar åt insexbulten genom att utföra ovanstående steg i omvänd ordning.

5. Se till att sätta tillbaka cirkelsågbladet och mitthöljet till ursprungsposition och dra åt insexbulten.

► **Fig.15:** 1. Insexnyckel 2. Insexbult 3. Mitthölje
4. Klingskydd

⚠ VARNING: Ta inte bort det fjäderupp-hängda klingskyddet. Om klingskyddet blir skadat p.g.a. UV-ljus eller genom slitage kontaktar du ett Makita servicecenter för att få ett nytt klingskydd. **KLINGSKYDDET FÅR ALDRIG BLOCKERAS ELLER TAS BORT.**

Inställning av spårbädd

Detta verktyg är utrustad med spårbädden infälld i geringssskivan, för att göra slitaget vid utgången av sågningen så minimalt som möjligt. Spårbädden är fabriksinställd så att cirkelsågbladet inte kommer i kontakt med den. Ställ in spårbädden på följande sätt före användning:

1. Var noga med att ta ut batterikassetten. Lossa sedan alla skruvarna (två skruvar vardera på vänster och höger sida) som håller fast spårbäddarna.

► **Fig.16:** 1. Spårbädd 2. Skruvar

OBS: De bakre skruvarna kan lätt lossas och dras åt genom att vrida geringssskivan i vinkel. Se till att lyfta handtaget helt när du vrider på geringssskivan.

2. Dra endast åt dem så pass att spårbäddarna fortfarande lätt kan flyttas för hand.

3. Sänk ner handtaget helt och dra och vrid lästappen för att fästa handtaget i det nedsänkta läget.

4. Dra och vrid lästappen på skjutstängens så att vagnen kan glida.

► **Fig.17:** 1. Lästapp 2. Låst position 3. Olåst position

5. Dra vagnen mot dig helt och hållet.

6. Justera spårbäddarna så att de precis vidrör sidorna på sågklingans tänder.

► **Fig.18**

► **Fig.19:** 1. Sågklinga 2. Bladtänder 3. Spårbädd

4. Vänster vinkelsåg 5. Rak vinkelsåg

6. Höger vinkelsåg

OBSERVERA: Vid ändring av vinkeln för vinkel-sågning måste spårbädden ställas om ordentligt.

OBSERVERA: Ta alltid bort de övre anhållen och den vertikala tvingen innan spårbäddarna placeras för vänster- eller högerställd vinkelsågning.

7. Dra åt de främre skruvarna (dra inte åt hårt).

8. Skjut vagnen helt mot anhållen och justera sedan spårbäddarna så att de precis vidrör sidorna på klingans sågtänder.

9. Dra åt de bakre skruvarna (dra inte åt hårt).

10. Dra ur lästappen för handtagsläset och lyft handtaget efter att spårbäddarna justerats. Dra sedan åt alla skruvar ordentligt.

OBSERVERA: Försäkra dig om att spårbäddarna är korrekt justerade efter att du ställt in vinkeln för vinkelsågning. Korrekt justering av spårbäddarna ger ordentligt stöd för arbetsstycket och minimerar risken för att arbetsstycket nöts sönder.

Upprätthållande av maximal sågkapacitet

Denna maskin är fabriksinställd för maximal skärkapacitet för en 260 mm sågklinga.

När ett nytt cirkelsågblad monteras måste cirkelsågbladets lägsta position alltid kontrolleras, och om det är nödvändigt justeras enligt följande:

1. Ta bort batterikassetten. Vrid sedan spärrarmen till aktiverat läge.

► **Fig.20:** 1. Spärrarm

2. Tryck vagnen helt mot anhållen och sänk handtaget helt och hållet.

► **Fig.21:** 1. Anhåll 2. Inställningsbult

3. Använd insexnyckeln för att vrida på inställningsbulten tills cirkelsågbladet hamnar något nedanför anhållens tvärsektion och geringssskivans övre yta.

► **Fig.22:** 1. Geringssskivans ovsida 2. Anhåll

4. Snurra på bladet för hand medan handtaget hålls ner fullständigt, och kontrollera att cirkelsågbladet inte kommer i kontakt med någon del av undre basplattan. Finjustera inställningen vid behov.

⚠️ VARNING: Efter monteringen av ett nytt cirkelsågblad och med batterikassetten borttagen måste du alltid kontrollera att cirkelsågbladet inte går emot någon del av den undre basplattan när handtaget sänks ner helt. Om cirkelsågbladet kommer i kontakt med basen kan det orsaka bakåtkast och resultera i allvarlig personskada.

► Fig.23

⚠️ FÖRSIKTIGT: För alltid tillbaka låsspaken till dess ursprungliga läge efter justeringen.

Stopparm

Den lägsta positionen för cirkelsågbladet kan enkelt justeras med stopparmen. Justera höjden genom att först föra stopparmen i pilens riktning, såsom visas i figuren. Vrid inställningsskruven så att cirkelsågbladet stannar på önskat läge när handtaget sänks maximalt.

► Fig.24: 1. Inställningsskruv 2. Stopparm

⚠️ FÖRSIKTIGT: Håll alltid handtaget stadigt vid inställning. Att inte göra det kan få vagnen att hoppa av med skada som följd.

Justering av geringsvinkeln

⚠️ FÖRSIKTIGT: Fäst alltid geringsskivan genom att sätta tillbaka läs-/frikopplingspaken i låst position och dra åt handtaget ordentligt efter ändringen av geringsvinkeln.

OBSERVERA: Lyft handtaget maximalt när geringsskivan vrids.

1. Vrid handtaget moturs. Håll sedan ned låsspaken i oläst position.
 2. Håll och sväng handtaget från sida till sida för att vrida geringsskivan.
 3. Rikta in pekaren med önskad vinkel på geringsskalan.
 4. Släpp låsspaken och dra åt handtaget.
- Fig.25: 1. Handtag 2. Låsspak 3. Pekare 4. Vinkel geringsskala

Positiv stoppfunktion

Denna geringssåg har en positiv stoppfunktion. Du kan snabbt ställa in 0°, 15°, 22,5°, 31,6°, 45° och 60° höger/ vänster geringsvinkel.

1. Vrid handtaget moturs
 2. Håll ned låsspaken i oläst position.
 3. Vrid geringsskivan nära önskad positiv stoppvinkel och släpp låsspaken.
 4. Vrid geringsskivan till önskad positiv stoppvinkel tills den säkras.
 5. Dra åt handtaget.
- Fig.26: 1. Handtag 2. Låsspak 3. Positiv stoppvinkel

OBS: Tryck ned frikopplingspaken för att frigöra geringsskivan från den positiva stoppfunktionen. Geringsskivan kan röras fritt utan att hålla ned låsspaken. Sväng handtaget för att vrida geringsskivan till önskad vinkel och dra sedan åt handtaget.

► Fig.27: 1. Frikopplingspak

Justering av vinkeln vid vinkelsågning

⚠️ FÖRSIKTIGT: Fäst alltid armen genom att dra åt vredet på skjutstängens medurs efter ändringen av vinkeln för vinkelsågning.

OBSERVERA: Ta alltid bort de övre anhållen och det vertikala städet innan du justerar vinkel.

OBSERVERA: Lyft vagnen maximalt när cirkelsågbladet lutas.

OBSERVERA: Vid ändring av vinklarna för vinkelsågning måste spåråddarna ställas in ordentligt igen så som beskrivits i avsnittet om att placera spåråddar.

OBSERVERA: Dra inte åt vredet på skjutstängens för hårt. Att göra det kan leda till felfunktion hos vinkelsågningens låsmekanism.

Luta cirkelsågbladet åt vänster

1. Vrid ratten på skjutstängens moturs.
- Fig.28: 1. Ratt
2. Dra och vrid spärreglaget till positionen enligt bilden.
- Fig.29: 1. Spärreglage
3. Håll handtaget och luta vagnen åt vänster.
 4. Rikta in pekaren med önskad vinkel på vinkelskalan.
 5. Dra åt vredet medsols för att fästa vagnarmen.
- Fig.30: 1. Vred 2. Handtag 3. Pekare 4. Vinkelskala

Luta cirkelsågbladet åt höger

1. Vrid vredet på skjutstängens moturs.
 2. Håll handtaget och luta vagnen lätt åt vänster.
 3. Luta vagnen åt höger samtidigt som du trycker ned frikopplingsknappen för vinkelsågning på höger sida.
 4. Rikta in pekaren med önskad vinkel på vinkelskalan.
 5. Dra åt vredet medsols för att fästa vagnarmen.
- Fig.31: 1. Vred 2. Handtag 3. Frikopplingsknapp för vinkel på höger sida 4. Vinkelskala

Luta cirkelsågbladet med hjälp av positiv stoppfunktion

Denna geringssåg har en positiv stoppfunktion. Du kan snabbt ställa in 22,5° och 33,9° vinkel åt både höger och vänster.

1. Vrid vredet på skjutstängens moturs.
2. Luta vagnen nära önskad positiv stoppvinkel medan du lyfter spärreglaget uppåt.

- Ställ spärreglaget i vågrätt läge.
 - Vrid vagnen till önskad positiv stoppvinkel tills den är säkrad.
 - För att ändra vinkeln, dra spärreglaget mot verktygets framsida och luta sedan vagnen igen.
 - Dra åt vredet medsols för att fästa vagnarmen.
- **Fig.32:** 1. Vred 2. Spärreglage

Luta cirkelsågbladet mer än 0° - 45°

- Vrid vredet på skjutstängens moturs.
 - Håll handtaget och luta vagnen mer än 45° åt vänster eller höger.
 - Dra tillbaka vagnen lätt och skjut frikopplingsspaken för 48° mot verktygets framsida.
 - Luta vagnen mer åt vänster eller höger samtidigt som du håller spaken frikopplad.
 - Dra åt vredet medsols för att fästa vagnarmen.
- **Fig.33:** 1. Vred 2. Handtag 3. Frikopplingsspak för 48° vinkelsågning

Avtryckarens funktion

⚠ VARNING: Innan du monterar batterikassetten/kassetterna i verktyget ska du alltid kontrollera att avtryckaren fungerar och återgår till läget "OFF" när du släpper den. Tryck inte in avtryckaren hårt utan att ha tryckt in säkerhetsknappen. I annat fall kan avtryckaren skadas. Att använda ett verktyg med ett felaktigt säkerhetsgrepp kan leda till förlorad kontroll och allvarlig personskada.

⚠ VARNING: Använd ALDRIG maskinen om inte avtryckaren fungerar korrekt. Att använda maskinen när inte avtryckaren fungerar är MYCKET FARLIGT. Reparera den före fortsatt användning, eftersom det annars kan orsaka allvarlig personskada.

⚠ VARNING: Sätt ALDRIG säkerhetsknappens funktion ur spel genom att t.ex. tejpa fast den. I annat fall kan följden bli oavsiktlig aktivering och allvarlig personskada.

⚠ VARNING: Använd ALDRIG verktyget om det startar när du trycker in avtryckaren utan att ha tryckt in säkerhetsknappen. En säkerhetsknapp som behöver repareras kan orsaka oavsiktlig aktivering och allvarlig personskada. Returnera verktyget till ett Makita-servicecenter för reparation INNAN du fortsätter att använda det.

- **Fig.34:** 1. Avtryckare 2. Startspär 3. Hål för hänglås

En startspär förhindrar oavsiktlig aktivering av avtryckaren. Tryck in säkerhetsspärren och tryck därefter in avtryckaren för att starta maskinen. Släpp avtryckaren för att stoppa maskinen. Avtryckaren är försedd med ett hål för insättning av ett hänglås för att låsa maskinen.

⚠ VARNING: Använd inte ett lås med en "nacke" eller kabel som är smalare än 6,35 mm i diameter. En smalare "nacke" eller kabel låser eventuellt inte maskinen i off-läget och oavsiktlig aktivering kan uppstå vilket resulterar i allvarlig personskada.

Skapa en såglinje

⚠ FÖRSIKTIGT: Lampan är inte regnsäker. Lampan får inte tvättas i vatten eller användas i regn eller på våta platser. Det kan leda till elektriska stötar och rökutveckling.

⚠ FÖRSIKTIGT: Vidrör inte lampans lins eftersom den är mycket varm så länge lampan lyser och en stund efter det att den har släckts. Detta kan orsaka brännskador.

⚠ FÖRSIKTIGT: Tillämpa inte våld mot lampan då detta kan skada den eller förkorta dess livslängd.

⚠ FÖRSIKTIGT: Titta inte in i ljuset eller direkt i ljuskällan.

LED-lampan lyser på cirkelsågbladet och en skugga av klingan faller på arbetsstycket och ger en kalibreringsfri indikator för såglinjen. Tryck på lampknappen för att belysa. En linje framträder där klingan träffar arbetsstyckets yta och blir djupare när klingan sänks.

► **Fig.35:** 1. Lampknapp 2. Lampa 3. Såglinje

Indikatorn hjälper till att säga en befintlig såglinje som ritats på arbetsstycket.

- Håll handtaget och sänk ner cirkelsågbladet så att en kraftig skugga från bladet kastas på arbetsstycket.
- Rikta in den ritade såglinjen på arbetsstycket med skuggan.
- Justera vid behov geringsvinkeln och vinkeln för vinkelsågning.

OBS: Se till att stänga av lampknappen efter användning eftersom det annars förbrukar batteri.

OBS: Lampan slocknar automatiskt 5 minuter efter arbetsslut.

Elektronisk funktion

Elektronisk broms

Detta verktyg är försett med en elektronisk bladsbroms. Om verktyget inte stannar snabbt efter att avtryckaren släppts, behöver verktyget servas på ett Makita servicecenter.

⚠ FÖRSIKTIGT: Klingbromssystemet är inte ett substitut för bladskyddet. Använd aldrig verktyget utan ett fungerande bladskydd. Ett oskyddat blad kan orsaka allvarlig personskada.

Konstant hastighetskontroll

Maskinen är utrustad med en elektronisk hastighetskontroll vilken hjälper att upprätthålla en konstant rotationshastighet för klingan även under belastning. En konstant rotationshastighet av klingan ger ett mycket jämnt skår.

Mjukstartfunktion

Denna funktion ger en mjuk uppstart av maskinen genom att begränsa vridmomentet vid uppstarten.

MONTERING

⚠ VARNING: Se alltid till att maskinen är avstängd och att batterikassetten är borttagen innan du utför arbete på maskinen. I annat fall kan det orsaka allvarlig personskada.

Förvaring av insexnyckel

Förvara insexnyckeln enligt figuren när den inte används, så att du alltid har den till hands.

► **Fig.36:** 1. Insexnyckel

Demontering och montering av sågblad

⚠ VARNING: Se alltid till att verktyget är avstängt och att batterikassetten är borttagen innan du tar bort eller monterar cirkelsågbladet. Oavsiktlig start av verktyget kan leda till allvarlig personskada.

⚠ VARNING: Använd endast medföljande insexnyckel från Makita för att demontera och montera cirkelsågbladet. Underlåtenhet att använda nyckeln kan leda till att insexbulten dras åt för mycket eller för lite vilket kan resultera i allvarlig personskada.

⚠ VARNING: Använd aldrig eller byt ut mot delar som inte medföljde denna maskin. Att använda sådana delar kan leda till allvarlig skada.

⚠ VARNING: Kontrollera att cirkelsågbladet sitter ordentligt fast efter att det har monterats. Lösa tillbehör på cirkelsågbladet kan orsaka allvarliga personsador.

Demontera sågblad

Utför följande steg för att ta bort cirkelsågbladet:

1. Lås vagnen i upphöjd position genom att dra och vrida låstappen till låst position.

► **Fig.37:** 1. Låstapp 2. Olåst position 3. Låst position

2. Använd sedan hylsnyckeln för att lossa på insexbulten som håller mitthöljet på plats. Lyft på klingskyddet och mitthöljet.

► **Fig.38:** 1. Insexnyckel 2. Insexbult 3. Mitthölje 4. Klingskydd

3. Tryck på spindellåset för att låsa spindeln och använd insexnyckeln för att lossa på insexbulten genom att vrida den medurs. Ta sedan bort insexbulten, den yttre flänsen och cirkelsågbladet.

► **Fig.39:** 1. Insexbult (vänstergångad) 2. Yttre fläns 3. Spindellås

4. Om den inre flänsen tas bort, montera den på spindeln med dess nedsänkta sida vänd mot cirkelsågbladet. Om flänsen inte monteras korrekt kommer den att skava mot maskinen.

För verktyg med ring
(landsspecifikt)

► **Fig.40:** 1. Insexbult (vänstergångad) 2. Yttre fläns 3. Cirkelsågblad 4. Ring 5. Inre fläns 6. Spindel 7. Nedsänkt sida

För verktyg utan ring

(landsspecifikt)

► **Fig.41:** 1. Insexbult (vänstergångad) 2. Yttre fläns 3. Cirkelsågblad 4. Inre fläns 5. Spindel 6. Nedsänkt sida

Montera sågblad

⚠ VARNING: Innan klingan monteras på spindeln ska du alltid se till att korrekt insatsring för axelhålet på den klinga du ska använda, monteras mellan den inre och den yttre flänsen. Att använda fel insatsring för axelhålet kan leda till felaktig montering av klingan, vilket orsakar förflyttning av klingan och ger allvarliga vibrationer. Detta kan leda till att du förlorar kontrollen under användning, vilket kan orsaka allvarliga personsador.

⚠ FÖRSIKTIGT: Se till att installera cirkelsågbladet så att pilens riktning på klingan stämmer med den på klinghöljet. I annat fall kan det leda till personskada och orsaka skada på verktyget och/eller arbetsstycket.

Diametern på cirkelsågbladets centrumhål kan vara olika beroende på region. Använd en ring i rätt storlek för att fästa cirkelsågbladet vid spindeln när håldiametern är större än spindeldiametern.

Utför följande steg för att installera cirkelsågbladet:

1. Montera cirkelsågbladet försiktigt på innerflänsen. När sågklingan monteras är det viktigt att se till att pilens riktning på cirkelsågbladets yta stämmer överens med pilens riktning på bladets kåpa.

► **Fig.42:** 1. Pil på klinghölje 2. Pil på cirkelsågblad

2. Montera den yttre flänsen och insexbulten, och använd sedan insexnyckeln för att dra åt insexbulten ordentligt medan du håller in spindellåset.

För verktyg med ring

(landsspecifikt)

► **Fig.43:** 1. Insexbult (vänstergångad) 2. Yttre fläns 3. Cirkelsågblad 4. Ring 5. Inre fläns 6. Spindel 7. Nedsänkt sida

För verktyg utan ring

(landsspecifikt)

► **Fig.44:** 1. Insexbult (vänstergångad) 2. Yttre fläns 3. Cirkelsågblad 4. Inre fläns 5. Spindel 6. Nedsänkt sida

3. Sätt tillbaka klingskyddet och mitthöljet i dess ursprungliga läge. Dra sedan åt insexbulten medurs för att fästa mitthöljet.

4. Dra och vrid låstappen i olåst position för att lossa vagnen från den upphöjda positionen. Sänk ner vagnen och kontrollera att klingskyddet rör sig som det ska.

⚠ FÖRSIKTIGT: Kontrollera att spindellåset inte längre låser fast spindeln, innan du försöker säga.

Ansluta en dammsugare

Anslut en dammsugare från Makita till dammunstycket (övre dammutblås) med de främre kopplingarna 24 (tillbehör).

► **Fig.45:** 1. Främre kopplingar 24 2. Slang 3. Dammsugare

Damppåse

⚠ FÖRSIKTIGT: När du utför en sågning, fäst då alltid damppåsen eller anslut en dammsugare för att förebygga dammrelaterade risker.

Användning av en damppåse ger ett rent sågarbete och förenklar uppsamlingen av damm. För att ansluta damppåsen, ta bort dammuppsamlingsslangen från verktyget och anslut damppåsen till dammunstycket (övre dammutblås).

► **Fig.46:** 1. Dammuppsamlingsslang 2. Damppåse 3. Dammunstycke (övre dammutblås)

Ta bort damppåsen från verktyget när den är cirka halvfyll och dra ut plastlåset. Töm damppåsen på dess innehåll och knacka på den lätt för att ta bort partiklar som har fastnat på insidan, vilka kan hindra fortsatt uppsamling.

► **Fig.47:** 1. Plastlås

Fastsättning av arbetsstycke

⚠ VARNING: Det är ytterst viktigt att alltid fästa arbetsstycket korrekt med rätt typ av tving eller kronliststopp. I annat fall kan det leda till allvarlig personskada och orsaka skada på maskinen och/eller arbetsstycket.

⚠ VARNING: När du sågar ett arbetsstycke som är längre än geringssågens stödyta ska hela arbetsstycket stödjas, även den del som befinner sig utanför sågens stödyta, för att vara i nivå. Detta för att undvika att klingan nyper fast och ett eventuellt bakåtkast vilket kan leda till allvarlig personskada. Lita inte helt på att en vertikal och/eller horisontal tving ensam kan hålla fast arbetsstycket. Tunna material kan tyngas ner. Stötta hela arbetsstyckets längd för att undvika att klingan nyper fast och eventuellt orsakar ett BAKÅTKAST.

► **Fig.48:** 1. Stöd 2. Geringsskiva

Anhåll

⚠ VARNING: Kontrollera att det övre anhållet är ordentligt fäst innan du använder maskinen.

⚠ VARNING: Se till före vinkelsågningen att ingen del av maskinen, speciellt sågklingan, kommer i kontakt med de övre och de nedre anhållen när maskinhandtaget sänks ner eller höjs upp helt, eller när vagnen skjuts framåt eller dras bakåt hela vägen. Om maskinen eller klingan får kontakt med anhållet kan detta resultera i bakåtkast eller oväntad rörelse av material och allvarlig personskada.

Använd de övre anhållen för att stödja material högre än de nedre anhållen. Sätt i det övre anhållet i hålen på de nedre anhållen och dra åt spännskruven.

► **Fig.49:** 1. Övre anhåll 2. Nedre anhåll 3. Spännskruv 4. Inställningsskruv

OBSERVERA: De nedre anhållen är fastsatta i basen på fabrik. Ta inte bort de nedre anhållen.

OBSERVERA: Om de övre anhållen fortfarande är lösa när du dragit fast spännskruven, vrid på inställningsskruven för att minska spelet. Inställningsskruven är fabriksinställd. Använd den inte om du inte måste.

Om det övre anhållet inte används kan du förvara det i hållaren. Använd clipset på det övre anhållet för att sätta fast det i hållaren.

► **Fig.50:** 1. Hållare 2. Övre anhåll 3. Clips

Vertikal tving

⚠ VARNING: Arbetsstycket måste fästas säkert mot geringsskivan och anhållen med tvingen under all användning. Om arbetsstycket inte är korrekt fastsatt mot anhållen kan arbetsstycket röra sig under sågarbetet och orsaka möjlig skada på cirkelsågbladet och att arbetsstycket kastas iväg samt att du förlorar kontroll över maskinen vilket leder till allvarlig personskada.

Den vertikala tvingen kan monteras antingen i vänster eller höger sida av sågbordet. Sätt i tvingens fäststav i hålet på basen.

► **Fig.51:** 1. Vertikal tving 2. Hål för vertikal tving 3. Bas

► **Fig.52:** 1. Tvingarm 2. Tvingens fäststav 3. Spännskruv 4. Tvingens ratt

Sätt tvingarmen i ett läge så att den passar till arbetsstyckets tjocklek och form och fäst den sedan genom att dra åt skruven. Om spännskruven kommer i kontakt med vagnen ska den vertikala tvingen monteras på basens motsatta sida. Se till att ingen del av verktyget kommer i kontakt med tvingen när handtaget sänks till sin lägsta position. Om någon del kommer i kontakt med tvingen ställer du om den. Tryck arbetsstycket plant mot anhållen och geringsskivan. Placera arbetsstycket i önskat sågläge och fäst det stadigt genom att dra åt tvingens ratt.

OBS: För en snabb inställning av arbetsstycket, vrid ratten till 90° moturs för att kunna flytta tvingens ratt upp och ner. Vrid tvingens ratt medurs för att fästa arbetsstycket efter inställningen.

Horisontell tving

Valfria tillbehör

⚠ VARNING: Rotera alltid tvingmuttern medurs tills arbetsstycket är ordentligt fäst. I annat fall kan arbetsstycket röra sig under sågarbetet och orsaka möjlig skada på cirkelsågbladet och att arbetsstycket kastas iväg samt att du tappar kontrollen över verktyget, vilket kan leda till allvarlig personskada.

⚠ VARNING: Använd alltid den horisontala tvingen när du sågar ett tunt arbetsstycke, såsom golvlister, mot anhållet.

⚠ FÖRSIKTIGT: När du kapar arbetsstycken av en tjocklek på 20 mm eller mindre, se till att använda en distanskloss för att fästa arbetsstycket.

Den horisontala tvingen kan monteras antingen i vänster eller höger sida av sågbordet. Vid geringssågning i 22,5° eller mer ska den horisontala tvingen monteras i motsatta sidan till den riktning i vilken geringsskivan skall vridas.

► **Fig.53:** 1. Tvingplatta 2. Tvingmutter 3. Tvingens ratt

Genom att vrida tvingmuttern moturs frigörs tvingen och kan snabbt flyttas inåt och utåt. För att fästa ett arbetsstycke trycker du tvingratten framåt tills tvingens platta kommer i kontakt med arbetsstycket och vrider sedan tvingmuttern medurs. Fäst sedan arbetsstycket genom att vrida tvingratten medurs.

OBS: Den maximala bredden på arbetsstycke som kan fästas med den horisontala tvingen är 228 mm.

Hållare

⚠ VARNING: Stöd alltid ett långt arbetsstycke så att det är på samma nivå som geringsskivans ovansida för att få ett exakt sågresultat och för att förhindra att du förlorar kontrollen över maskinen. Detta för att undvika att klingan nyper fast och ett eventuellt bakåtkast vilket kan leda till allvarlig personskada.

⚠ VARNING: Före kapning ska du alltid se till att hållarna är ordentligt festsatta med skruvarna.

För att hålla fast långa arbetsstycken horisontellt sitter hållare på varje sida av verktyget. Lossa på skruvarna och förläng hållarna till lämplig längd för att hålla arbetsstycket. Dra sedan åt skruvarna.

► **Fig.54:** 1. Hållare 2. Skruv

Vid sågning ska arbetsstycket placeras plant mot anhängen.

► **Fig.55:** 1. Anhåll 2. Hållare

Bottenplatta

Valfria tillbehör

⚠ VARNING: Stöd alltid ett långt arbetsstycke så att det är på samma nivå som geringsskivans ovansida för att få ett exakt sågresultat och för att förhindra att du förlorar kontrollen över maskinen. Detta för att undvika att klingan nyper fast och ett eventuellt bakåtkast vilket kan leda till allvarlig personskada.

⚠ VARNING: Före kapning ska du alltid se till att bottenplattan är ordentligt festsatt med skruven.

OBS: Uppgifter om installationen finns i instruktionerna som medföljer den valfria bottenplattan.

Installera en valfri bottenplatta i basen så att långa arbetsstycken kan hållas fast säkrare. Lossa på skruven och förläng bottenplattan till lämplig längd för att hålla arbetsstycket. Dra sedan åt skruven.

► **Fig.56:** 1. Bottenplatta 2. Skruv

Vid kapning ska arbetsstyckets plana sida vändas mot anhänglet och bottenplattans stödanhåll.

► **Fig.57:** 1. Anhåll 2. Stödanhåll 3. Bottenplatta

Justera stödanhålet

Justera stödanhålet på bottenplattan om det inte är i linje med anhänglet.

1. Lossa bultarna som håller fast stödanhålet med insexnyckeln.

2. Placera en rak solid stång, t.ex. ett plattstål, plant mot anhänglet.

3. Placera om stödanhålet så att stödanhålets sida är plan mot stången när stången ligger plant mot anhänglet. Dra därefter åt bultarna.

► **Fig.58:** 1. Bult 2. Stödanhåll 3. Anhåll 4. Solid stång

ANVÄNDNING

Denna maskin är avsedd för att såga i träprodukter. Med lämpliga sågblad från Makita går det även att såga följande material:

— Aluminiumprodukter

Se vår hemsida eller kontakta din lokala Makita-återförsäljare för korrekt cirkelsågblad som används med det material som ska kapas.

⚠ VARNING: Kontrollera att sågklingan inte är i kontakt med arbetsstycket eller något annat innan sågen startas. I annat fall kan det leda till bakåtkast och allvarlig personskada.

⚠ VARNING: Lyft aldrig sågklingan förrän den har stannat helt efter sågningen. I annat fall kan det leda till allvarlig personskada och skada på arbetsstycket.

⚠ VARNING: Utför inga inställningar på maskinen som att vrida på handtag, ratt eller spakar när sågklingan roterar. Inställningar när klingan roterar kan leda till allvarliga personskador.

OBSERVERA: Se innan användning till att låsa upp låstappen och lossa handtaget från den nedre positionen.

OBSERVERA: Tryck inte för mycket på handtaget vid kapningen. Detta kan leda till att motorn överbelastas och/eller försämrad sågning. Tryck endast ner handtaget så mycket som behövs för att sågningen ska löpa smidigt utan att sågklingans hastighet minskar signifikant.

OBSERVERA: Tryck försiktigt ner handtaget för att såga. Om handtaget trycks ner hårt eller i sidled kommer klingan att vibrera vilket ger sågmärken i arbetsstycket samtidigt som sågprecisionen försämrar.

OBSERVERA: Vid skjutsågning skall vagnen försiktigt skjutas mot anhänglet utan att stoppa. Om vagnens rörelser upphör under sågningen lämnas ett märke på arbetsstycket och precisionen i snittet minskar.

Sågning genom tryck

⚠️ VARNING: Läs alltid vagnens skjutande rörelse när du utför sågning genom skjutning. Sågning utan att låsa kan leda till bakåtkast vilket kan orsaka allvarlig personskada som följd.

Arbetsstycken som är upp till 68 mm höga och 160 mm breda kan sågas på följande sätt.

► **Fig.59:** 1. Låstapp

1. Tryck vagnen mot anhållet tills den stannar och lås den med låstappen.
2. Fäst arbetsstycket med rätt sorts tving.
3. Starta verktyget utan att cirkelsågbladet vidrör arbetsstycket och vänta tills cirkelsågbladet uppnår full hastighet innan det sänks.
4. Sänk sedan handtaget försiktigt tills det har sänkts helt, för att såga arbetsstycket.
5. Stäng av verktyget när sågningen är avslutad och vänta tills cirkelsågbladet har stannat helt, innan cirkelsågbladet återförs till sitt helt uppfällda läge.

Sågning genom skjutning (sågning av breda arbetsstycken)

⚠️ VARNING: Vid skjutsågning ska du först dra vagnen fullständigt mot dig och trycka ner handtaget till dess helt nedsänkta läge. Skjut sedan vagnen mot anhållet. Börja aldrig sågningen om vagnen inte är dragen fullständigt mot dig. Om skjutsågning utförs utan att du dragit vagnen helt mot dig kan ett bakåtkast uppstå med risk för allvarlig personskada.

⚠️ VARNING: Försök aldrig att utföra en skjutsågning genom att dra vagnen mot dig. Att dra vagnen mot dig medan du sågar kan orsaka bakåtkast vilket resulterar i möjlig personskada.

⚠️ VARNING: Utför aldrig skjutsågning med handtaget låst i det nedsänkta läget.

► **Fig.60:** 1. Låstapp

1. Lås upp låstappen så att vagnen kan skjutas fritt.
2. Fäst arbetsstycket med rätt sorts tving.
3. Dra vagnen mot dig helt och hållet.
4. Starta maskinen utan att sågklingan vidrör arbetsstycket och vänta tills klingan uppnår full hastighet.
5. Tryck ner handtaget och **skjut vagnen mot anhållet och genom arbetsstycket.**
6. Stäng av maskinen när sågningen är avslutad och vänta tills sågklingan har stannat helt, innan klingan återförs till sitt helt uppfällda läge.

Geringsågning

Se avsnittet för justering av geringsvinkeln.

Vinkelsågning

⚠️ VARNING: Efter inställning av sågklingan för vinkelsågning och innan du börjar arbeta med maskinen, ska du se till att vagnen och klingan har fri väg genom hela skåret. Vagns- eller klingavbrott under sågningen kan orsaka bakåtkast och allvarlig personskada.

⚠️ VARNING: Håll händerna borta från sågklingans såglinje när du utför en vinkelsågning. Sågklingans vinkel och den verkliga såglinjen kan förvirra användaren under sågningen och kontakt med klingan orsakar allvarlig personskada.

⚠️ VARNING: Sågklingan ska aldrig lyftas förrän den har stannat helt. Under vinkelsågning kan det avsågade stycket ligga kvar mot sågklingan. Om sågklingan lyfts upp medan den roterar kan det avsågade stycket kastas ut av klingan och orsaka att material fragmenteras vilket kan resultera i allvarlig personskada.

OBSERVERA: När du trycker ner handtaget ska du trycka i samma riktning som klingan lutar. Om tryck appliceras vinkelrätt mot geringskivan eller om tryckets riktning ändras under pågående sågning minskar precisionen i sågningen.

► **Fig.61**

1. Ta bort det övre anhållet på den sida som du ska luta vagnen.
2. Lås upp låstappen.
3. Ställ in vinkeln enligt proceduren som förklaras i avsnittet för justering av vinkelsågning. Dra sedan åt ratten.
4. Fäst arbetsstycket med en tving.
5. Dra vagnen mot dig helt och hållet.
6. Starta maskinen utan att klingan vidrör arbetsstycket och vänta tills klingan uppnår full hastighet.
7. Sänk sedan handtaget försiktigt till dess helt nedsänkta läge medan tryck parallellt med klingan appliceras och **skjut vagnen mot anhållet för att såga arbetsstycket.**
8. Stäng av maskinen när sågningen är avslutad och vänta tills klingan har stannat helt, innan klingan återförs till sitt helt uppfällda läge.

Kombinationsågning

Kombinationsågning är en process där vinkelsågning utförs i kombination med att en geringsvinkel sågas i ett arbetsstycke. Kombinationsågning kan utföras vid vinkel som visas i tabellen nedan.

Geringsvinkel	Vinkel för vinkelsågning
Vänster och höger 0° - 45°	Vänster och höger 0° - 45°

Se avsnittet sågning genom tryck, sågning genom skjutning, geringsågning och vinkelsågning när du vill utföra kombinationsågning.

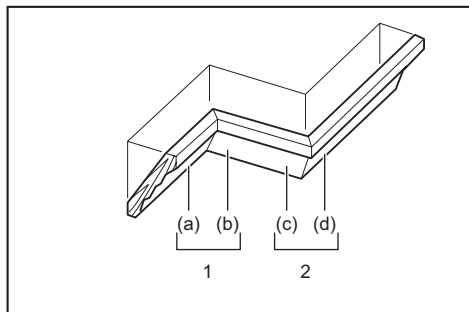
Sågning av kron- och hållister

Kron- och hållister kan sågas på en kap- och geringskombinationssåg med listerna placerade plant på geringskivnan.

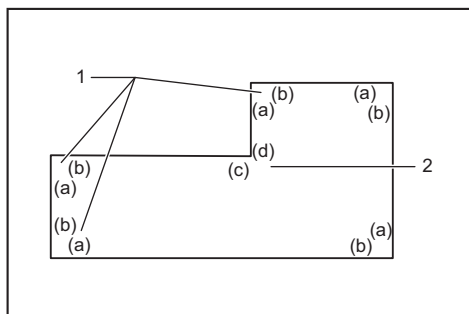
Det finns två vanliga sorter av kronlister och en sort av hållist; 52/38° väggvinklad kronlist, 45° väggvinklad kronlist och 45° väggvinklad hållist.

► **Fig.62:** 1. Kronlist med 52/38° 2. Kronlist med 45°
3. Hållist med 45°

Det finns kron- och hållistskarvar som är gjorda för att passa på "insidan" av 90° hörn ((a) och (b) i figuren) och "utsidan" av 90° hörn ((c) och (d) i figuren).



1. På insida av hörn 2. På utsida av hörn



1. På insida av hörn 2. På utsida av hörn

Mätning

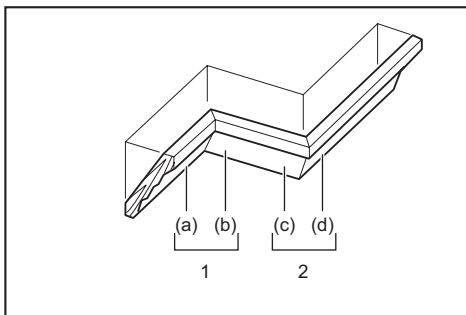
Mät väggens bredd och justera arbetsstyckets bredd enligt den. Se alltid till att bredden på arbetsstyckets väggkontaktyta är lika lång som väggens bredd.

► **Fig.63:** 1. Arbetsstycke 2. Väggens bredd
3. Arbetsstyckets bredd 4. Väggkontaktyta

Använd alltid flera bitar för testsågning för att kontrollera sågvinkeln.

Vid sågning av kron- och hållister ska vinkeln för vinkelsågning och geringsvinkeln ställas in såsom anges i tabell (A) och listerna placeras på sågbordet såsom visas i tabell (B).

Vid vänsterställd vinkelsågning



1. På insida av hörn 2. På utsida av hörn

Tabell (A)

-	Listposition i figuren	Vinkel för vinkelsågning		Geringsvinkel	
		52/38°-typ	45°-typ	52/38°-typ	45°-typ
För insida av hörn	(a)	Vänster 33,9°	Vänster 30°	Höger 31,6°	Höger 35,3°
	(b)			Vänster 31,6°	Vänster 35,3°
För utsidan av hörn	(c)			Höger 31,6°	Höger 35,3°
	(d)				

Tabell (B)

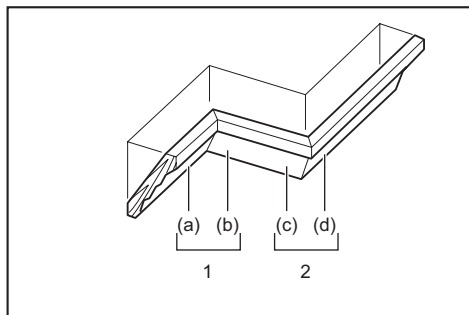
-	Listposition i figuren	Listkant mot anhållet	Färdigt stycke
För insida av hörn	(a)	Takkkontaktyta bör ligga mot anhållet.	Det färdiga arbetsstycket hamnar på vänster sida om klingan.
	(b)	Väggkontaktyta bör ligga mot anhållet.	Det färdiga arbetsstycket hamnar på höger sida om klingan.
För utsidan av hörn	(c)	Takkkontaktyta bör ligga mot anhållet.	Det färdiga arbetsstycket hamnar på vänster sida om klingan.
	(d)	Väggkontaktyta bör ligga mot anhållet.	Det färdiga arbetsstycket hamnar på höger sida om klingan.

Exempel:

Vid sågning av kronlist med 52/38° för position (a) i figuren ovan:

- Luta och fäst vinkeln vid 33,9° LEFT (VÄNSTER).
- Justera och fäst geringsvinkeln vid 31,6° RIGHT (HÖGER).
- Lägg kronlisten med dess breda baksida (dold) ner mot geringskivnan med TAKKANTEN mot anhållet på sågen.
- Den färdiga biten som ska användas är alltid på VÄNSTER sida om klingan efter det att sågningen är avslutad.

Vid högerställd vinkelsågning



1. På insida av hörn 2. På utsida av hörn

Tabell (A)

–	Listposition i figuren	Vinkel för vinkelsågning		Geringsvinkel	
		52/38°-typ	45°-typ	52/38°-typ	45°-typ
För insida av hörn	(a)	Höger 33,9°	Höger 30°	Höger 31,6°	Höger 35,3°
	(b)			Vänster 31,6°	Vänster 35,3°
För utsidan av hörn	(c)			Höger 31,6°	Höger 35,3°
	(d)			Höger 31,6°	Höger 35,3°

Tabell (B)

–	Listposition i figuren	Listkant mot anhållet	Färdigt stycke
För insida av hörn	(a)	Väggkontaktyta bör ligga mot anhållet.	Det färdiga arbetsstycket hamnar på höger sida om klingan.
	(b)	Takkkontaktyta bör ligga mot anhållet.	Det färdiga arbetsstycket hamnar på vänster sida om klingan.
För utsidan av hörn	(c)	Väggkontaktyta bör ligga mot anhållet.	Det färdiga arbetsstycket hamnar på höger sida om klingan.
	(d)	Takkkontaktyta bör ligga mot anhållet.	Det färdiga arbetsstycket hamnar på vänster sida om klingan.

Exempel:

Vid sågning av kronlist med 52/38° för position (a) i figuren ovan:

- luta och fäst vinkeln vid 33,9° HÖGER.
- Justera och fäst geringsvinkeln vid 31,6° RIGHT (HÖGER).
- Lägg kronlisten med dess breda baksida (dold) ner mot geringsskivan med VÄGGKONTAKTYTA mot anhållet på sågen.
- Den färdiga biten som ska användas är alltid på HÖGER sida om klingan efter det att sågningen är avslutad.

Kronliststopp

Valfria tillbehör

Kronliststopp underlättar sågningen av kronlister utan att sågklingan måste luta. Montera dem på geringssskivan, såsom visas i figurerna.

Vid högerställd 45° geringsvinkel

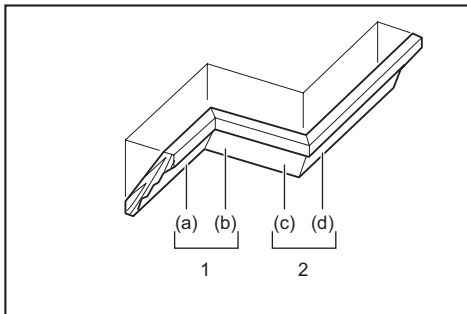
- **Fig.64:** 1. Kronliststopp V 2. Kronliststopp H
3. Geringssskiva 4. Anhåll

Vid vänsterställd 45° geringsvinkel

- **Fig.65:** 1. Kronliststopp V 2. Kronliststopp H
3. Geringssskiva 4. Anhåll

Placera kronlisten med dess VÄGGKONTAKTYTA mot anhållet och dess TAKKANT mot kronliststoppen, såsom visas i figuren. Justera kronliststoppen enligt kronlistens storlek. Dra åt skruvarna för att fästa kronliststoppen. Se tabell (C) för geringsvinkeln.

- **Fig.66:** 1. Anhåll 2. Kronliststopp



1. På insida av hörn 2. På utsida av hörn

Tabell (C)

–	Listposition i figuren	Geringsvinkel	Färdigt stycke
För insida av hörn	(a)	Höger 45°	Spara delen till höger om klingan
	(b)	Vänster 45°	Spara delen till vänster om klingan
För utsidan av hörn	(c)		Spara delen till höger om klingan
	(d)	Höger 45°	Spara delen till vänster om klingan

Sågning av aluminiumstycken

- **Fig.67:** 1. Tving 2. Distansklass 3. Anhåll
4. Aluminiumstycke 5. Distansklass

Använd klasser eller träbitar när ett aluminiumstycke skall fästas, såsom visas i figuren, för att förhindra att aluminiumstycket deformeras. Använd sågolja vid sågningen i aluminium, för att förhindra att aluminiummaterialet fastnar och lagras på cirkelsågbladet.

⚠ VARNING: Försök aldrig såga tjocka eller runda aluminiumstycken. Tjocka eller runda aluminiumstycken kan vara svåra att fästa och kan lossa under arbetet vilket kan leda till att du tappar kontrollen över maskinen och allvarlig skada uppstår.

Spårsågning

⚠ VARNING: Försök inte utföra denna typ av sågning genom att använda en bredare (tjockare) klinga eller en dadoklinga. I annat fall kan det leda till oväntade sågresultat och möjligt bakåtkast vilket kan resultera i allvarlig personskada.

⚠ VARNING: Se noga till att stopparmen återförs till det ursprungliga läget vid annan sågning än spårsågning. Att försöka såga med stopparmen i fel läge kan leda till oväntade sågresultat och bakåtkast vilket kan resultera i allvarlig personskada.

Gör följande för sågning med dadoklinga:

1. Justera cirkelsågbladets lägsta position genom att vrida på inställningsskruven och stopparmen för att ställa in cirkelsågbladets sågdjup. Se avsnittet för stopparmen.
2. Såga parallella spår tvärs över arbetsstycket hela bredd genom skjutsågning (trycksågning), efter att cirkelsågbladets nedre gränsläge justerats.
► **Fig.68:** 1. Fräs spår med klingan
3. Avlägsna sedanmaterialet mellan spåren på arbetsstycket med ett stämjärn.

Bära maskinen

Innan du flyttar verktyget måste du ta ur batterikassetten och se till att alla rörliga delar på geringssågen är fästsatta. Kontrollera alltid följande:

- Att batterikassetten är borttagen.
- Att vagnen är i 0° vinkel och säkrad.
- Att vagnen är nedsänkt och låst.
- Att vagnen är helt skjuten mot anhållen och låsta.
- Att geringsskivan är mot den högra geringsvinkeln och säkrad.
- Att hållarna är i förvaringen och säkrade.

Bär verktyget genom att hålla i båda sidorna av sågbordet.

► **Fig.69**

⚠ VARNING: Låstappen för upphöjning av vagnen används endast när verktyget ska bäras och förvaras och inte när sågning utförs. Att använda låstappen vid sågarbeten kan leda till oavsiktlig rörelse av cirkelsågbladet vilket orsakar bakåtkast och allvarlig personskada.

⚠ FÖRSIKTIGT: Fäst alltid alla rörliga delar innan du bär verktyget. Om delar av verktyget rör sig eller glider medan du bär den kan du förlora kontrollen eller balansen över verktyget vilket kan leda till personskada.

⚠ FÖRSIKTIGT: Se till att upphöjningen av vagnen är ordentligt låst i sitt nedre läge med låstappen. Om låstappen inte är fullständigt låst kan vagnen plötsligt hoppa upp och orsaka personskada.

FUNKTION FÖR TRÅDLÖS AKTIVERING

Vad du kan göra med funktionen för trådlös aktivering

Funktionen för trådlös aktivering möjliggör en ren och bekväm körning. Genom att ansluta en dammsugare som stöds till verktyget, kan du göra så att dammsugaren automatiskt körs samtidigt som du använder verktygets knappfunktion.

► **Fig.70**

Gör i ordning följande artiklar för att använda funktionen för trådlös aktivering:

- En trådlös enhet (valfritt tillbehör)
- En dammsugare som har stöd för funktionen för trådlös aktivering

Översikten över inställningen av funktionen för trådlös aktivering är följande. Se detaljerade rutiner i varje avsnitt.

1. Installera den trådlösa enheten
2. Verktygsregistrering för dammsugaren
3. Starta funktionen för trådlös aktivering

Installera den trådlösa enheten

Valfria tillbehör

⚠ FÖRSIKTIGT: Placera verktyget på en platt och stabil yta när den trådlösa enheten installeras.

OBSERVERA: Rensa bort damm och smuts från verktyget innan den trådlösa enheten installeras. Damm eller smuts kan orsaka funktionsfel om det kommer in i skåran på den trådlösa enheten.

OBSERVERA: För att förebygga funktionsfel till följd av statisk laddning vidrör du ett statiskt urladdande material, t.ex. en metallpel på verktyget, innan du plockar upp den trådlösa enheten.

OBSERVERA: Se alltid till när du installerar den trådlösa enheten att den är insatt i rätt riktning och att locket är helt stängt.

1. Öppna locket på verktyget enligt figuren.

► **Fig.71:** 1. Lucka

2. Sätt in den trådlösa enheten i skåran och stäng sedan locket.

När du sätter in den trådlösa enheten, passa då in de utskjutande delarna med de insänkta delarna i skåran.

► **Fig.72:** 1. Trådlös enhet 2. Utskjutande del 3. Lucka 4. Insänkt del

Öppna locket långsamt när du tar bort den trådlösa enheten. Krokarna på lockets baksida lyfter den trådlösa enheten när du drar upp locket.

► **Fig.73:** 1. Trådlös enhet 2. Krok 3. Lucka

När den trådlösa enheten tagits bort, ha den då i det tillhörande fodralet eller en behållare med skydd mot statisk laddning.

OBSERVERA: Använd alltid krokarna på lockets baksida när du tar bort den trådlösa enheten. Om krokarna inte fångar upp den trådlösa enheten, stänger du locket helt och öppnar det långsamt igen.

Verktysregistrering för dammsugaren

OBS: För verktysregistreringen krävs en Makita-dammsugare som har stöd för den trådlösa aktiveringsfunktionen.

OBS: Avsluta installationen av den trådlösa enheten till verktyget innan du inleder verktysregistreringen.

OBS: Undvik att aktivera följande brytare under verktysregistrering:

- verktygets avtryckare
- verktygets vakuumbrytare
- dammsugarens strömbrytare

OBS: Se också bruksanvisningen för dammsugaren.

Om du vill aktivera dammsugaren tillsammans med verktygets knappfunktion, ska du slutföra verktysregistreringen i förväg.

1. Installera batterierna till dammsugaren och verktyget.

2. Sätt dammsugarens stand-by-omkopplare på "AUTO".

► **Fig.74:** 1. Stand-by-omkopplare

3. Tryck på knappen för trådlös aktivering på dammsugaren i 3 sekunder tills lampan för trådlös aktivering blinkar grönt. Tryck sedan på knappen för trådlös aktivering på verktyget på samma sätt.

► **Fig.75:** 1. Knapp för trådlös aktivering 2. Lampa för trådlös aktivering

Om dammsugaren och verktyget har kopplats ihop ordentligt, kommer lamporna för trådlös aktivering att lysa grönt i 2 sekunder och börja blinka i blått.

OBS: Lamporna för trådlös aktivering slutar blinka grönt efter att 20 sekunder har gått. Tryck på knappen för trådlös aktivering på maskinen när lampan för trådlös aktivering på dammsugaren blinkar. Om lampan för trådlös aktivering inte blinkar grönt, trycker du kort på knappen för trådlös aktivering och håller in den igen.

OBS: När du utför två eller flera verktysregistreringar för en dammsugare avslutar du verktysregistreringarna en och en.

Starta funktionen för trådlös aktivering

OBS: Avsluta verktysregistreringen för dammsugaren före den trådlösa aktiveringen.

OBS: Se också bruksanvisningen för dammsugaren.

Efter att ett verktyg registrerats till dammsugaren kommer den att köras automatiskt tillsammans med verktygets knappfunktion. Tryck in verktygets avtryckare för att använda dammsugaren vid användning. Dammsugaren startas även genom att trycka på vakuumbrytaren på verktyget oavsett kapningsförfarande.

► **Fig.76**

1. Installera den trådlösa enheten till verktyget.

2. Anslut dammsugarslangens till verktyget.

► **Fig.77**

3. Sätt dammsugarens stand-by-omkopplare på "AUTO".

► **Fig.78:** 1. Stand-by-omkopplare

4. Tryck kort på knappen för trådlös aktivering på verktyget. Lampan för trådlös aktivering blinkar blått.

► **Fig.79:** 1. Knapp för trådlös aktivering 2. Lampa för trådlös aktivering

5. Tryck på verktygets avtryckare. Kontrollera om dammsugaren är igång medan avtryckaren är intryckt.

6. Tryck på vakuumbrytaren för att starta dammsugaren. Kontrollera om lampan för trådlös aktivering lyser blått och att dammsugaren fortsätter gå tills du trycker på knappen igen.

7. För att stänga av dammsugaren släpper du antingen avtryckaren eller trycker på vakuumbrytaren igen. Dammsugaren stannar ett par sekunder efter du tryckt på knappen och lampan börjar blinka blått.

OBS: Strömbrytarens status (dammsugare på/av) kan ses på lampan för trådlös aktivering. För detaljer, se avsnittet för beskrivning av status för lampan för trådlös aktivering.

8. För att stoppa den trådlösa aktiveringen av dammsugaren trycker du på knappen för trådlös aktivering på verktyget.

OBS: Lampan för trådlös aktivering på verktyget slutar blinka blått när ingen användning har skett på 2 timmar. Sätt i så fall standby-omkopplaren på dammsugaren på "AUTO" och tryck igen på knappen för trådlös aktivering på verktyget.

OBS: Dammsugaren startar/stannar med en fördröjning. Det blir en tidsfördröjning när dammsugaren känner av en knappfunktion från verktyget.










OBS: Sändningsavståndet till den trådlösa enheten kan variera beroende på plats och omständigheter i omgivningen.

OBS: När två eller flera verktyg är registrerade till en dammsugare, kan dammsugaren gå igång även om du inte trycker på avtryckaren eller på vakuumbrytaren eftersom en annan användare använder funktionen för trådlös aktivering.

Beskrivning av status för lampan för trådlös aktivering

► Fig.80: 1. Lampa för trådlös aktivering

Lampan för trådlös aktivering visar status för den trådlösa aktiveringsfunktionen. Se innebörden av lampans status i tabellen nedan.

Status	Lampa för trådlös aktivering				Beskrivning
	Färg	 På	 Blinkar	Varaktighetstid	
Standby	Blå			2 timmar	Den trådlösa aktiveringen av dammsugaren är tillgänglig. Lampan släcks automatiskt när ingen användning har ägt rum på 2 timmar.
				När verktyget är igång.	Den trådlösa aktiveringen av dammsugaren är tillgänglig och verktyget är igång.
Verktysregistrering	Grön			20 sekunder	Redo för verktygsregistrering. Väntar på registrering från dammsugaren.
				2 sekunder	Verktysregistreringen har avslutats. Lampan för trådlös aktivering börjar blinka blått.
Upphåver verktygsregistrering	Röd			20 sekunder	Redo för att upphäva verktygsregistreringen. Väntar på upphävande från dammsugaren.
				2 sekunder	Upphävandet av verktygsregistreringen har avslutats. Lampan för trådlös aktivering börjar blinka blått.
Övriga	Röd			3 sekunder	Ström tillförs till den trådlösa enheten och funktionen för trådlös aktivering startar.
	Av	-		-	Den trådlösa aktiveringen av dammsugaren stoppas.

Upphåver verktygsregistrering för dammsugaren

Utför följande rutin vid upphävande av verktygsregistreringen för dammsugaren.

1. Installera batterierna till dammsugaren och verktyget.
2. Sätt dammsugarens stand-by-omkopplare på "AUTO".

► Fig.81: 1. Stand-by-omkopplare

3. Tryck på knappen för trådlös aktivering på dammsugaren i 6 sekunder. Lampan för trådlös aktivering blinkar grönt och blir sedan röd. Tryck sedan på knappen för trådlös aktivering på verktyget på samma sätt.

► Fig.82: 1. Knapp för trådlös aktivering 2. Lampa för trådlös aktivering

Om upphävandet har utförts ordentligt, kommer lamporna för trådlös aktivering att lysa rött i 2 sekunder och börja blinka i blått.

OBS: Lamporna för trådlös aktivering slutar blinka rött efter att 20 sekunder har gått. Tryck på knappen för trådlös aktivering på maskinen när lampan för trådlös aktivering på dammsugaren blinkar. Om lampan för trådlös aktivering inte blinkar rött, trycker du kort på knappen för trådlös aktivering och håller in den igen.

Felsökning för funktionen för trådlös aktivering

Innan du ber om reparation ska du först utföra en egen kontroll. Om du hittar ett problem som inte finns förklarat i bruksanvisningen ska du inte försöka att ta isär maskinen. Fråga istället ett auktoriserad servicecenter för Makita, och använd alltid reservdelar från Makita för reparationer.

Feltillstånd	Trolig orsak (felsfunktion)	Åtgärd	
Lampan för trådlös aktivering lyser/ blinkar inte.	Den trådlösa enheten är inte installerad till verktyget. Den trådlösa enheten är felaktigt installerad till verktyget.	Installera den trådlösa enheten korrekt.	
	Den trådlösa enhetens kontakt och/eller skåran är smutsig.	Torka försiktigt av damm och smuts på den trådlösa enhetens kontakt och rengör skåran.	
	Knappen för trådlös aktivering på verktyget har inte tryckts.	Tryck kort på knappen för trådlös aktivering på verktyget.	
	Stand-by-omkopplaren på dammsugaren är inte satt på "AUTO".	Sätt dammsugarens stand-by-omkopplare på "AUTO".	
	Ingen strömtillförsel	Koppla in ström till verktyget och dammsugaren.	
Kan inte avsluta verktygsregistrering/upphäva verktygsregistrering.	Den trådlösa enheten är inte installerad till verktyget. Den trådlösa enheten är felaktigt installerad till verktyget.	Installera den trådlösa enheten korrekt.	
	Den trådlösa enhetens kontakt och/eller skåran är smutsig.	Torka försiktigt av damm och smuts på den trådlösa enhetens kontakt och rengör skåran.	
	Stand-by-omkopplaren på dammsugaren är inte satt på "AUTO".	Sätt dammsugarens stand-by-omkopplare på "AUTO".	
	Ingen strömtillförsel	Koppla in ström till verktyget och dammsugaren.	
	Felaktig funktion	Tryck kort på knappen för trådlös aktivering och utför rutinerna för verktygsregistrering-/upphävande igen.	
	Verktyget och dammsugaren är åtskilda från varandra (utanför sändningsområdet).	Se till att verktyget och dammsugaren hamnar närmare varandra. Det maximala sändningsavståndet är ca 10 m, men det kan variera beroende på omständigheterna.	
	Innan verktygsregistreringen-/upphävandet avslutas: - tryck på avtryckaren på verktyget, eller; - dammsugarknappen på verktyget är på, eller; - strömknappen på dammsugaren är på.	Tryck kort på knappen för trådlös aktivering och utför rutinerna för verktygsregistrering-/upphävande igen.	
	Verktygsregistreringsrutinerna för verktyget eller dammsugaren har inte slutförts.	Utför verktygsregistreringsrutinerna för både verktyget och dammsugaren på samma gång.	
	Radiostörningar från andra apparater som skapar högtintensiva radiovågor.	Håll verktyget och dammsugaren borta från apparater som WiFi-enheter och mikrovågsugnar.	
Damsugaren är inte igång samtidigt som verktygets knappfunktion.	Den trådlösa enheten är inte installerad till verktyget. Den trådlösa enheten är felaktigt installerad till verktyget.	Installera den trådlösa enheten korrekt.	
	Den trådlösa enhetens kontakt och/eller skåran är smutsig.	Torka försiktigt av damm och smuts på den trådlösa enhetens kontakt och rengör skåran.	
	Knappen för trådlös aktivering på verktyget har inte tryckts.	Tryck kort på knappen för trådlös aktivering och försäkra dig om att lampan för trådlös aktivering blinkar blått.	
	Stand-by-omkopplaren på dammsugaren är inte satt på "AUTO".	Sätt dammsugarens stand-by-omkopplare på "AUTO".	
	Fler än 10 verktyg är registrerade till dammsugaren.	Utför verktygsregistreringen igen. Om fler än 10 verktyg är registrerade till dammsugaren, blir det verktyg som registrerades tidigast automatiskt upphävt.	
	Damsugaren har inte registrerat verktyget framgångsrikt.	Förnya verktygsregistreringar.	
	Damsugaren har raderat alla verktygsregistreringar.	Utför verktygsregistreringen igen.	
	Ingen strömtillförsel	Koppla in ström till verktyget och dammsugaren.	
	Verktyget och dammsugaren är åtskilda från varandra (utanför sändningsområdet).	Se till att verktyget och dammsugaren hamnar närmare varandra. Det maximala sändningsavståndet är ca 10 m, men det kan variera beroende på omständigheterna.	
	Radiostörningar från andra apparater som skapar högtintensiva radiovågor.	Håll verktyget och dammsugaren borta från apparater som WiFi-enheter och mikrovågsugnar.	

Feltillstånd	Trolig orsak (felfunktion)	Åtgärd
Dammsugaren kör även om ingen verktygsbrytare är aktiverad.	Andra användare använder den trådlösa aktiveringen av dammsugaren med sina verktyg.	Stäng av de andra verktygens knappar för trådlös aktivering eller upphäv verktygsregistreringen för de andra verktygen.

UNDERHÅLL

⚠ VARNING: Se alltid till att verktyget är avstängt och batterikassetten borttagen innan inspektion eller underhåll utförs. Tar man inte ut batterikassetten och stänger av verktyget kan det leda till möjlig allvarlig personskada vid en oavsiktlig start.

⚠ VARNING: Se alltid till att cirkelsågbladet är vasst och rent för att få ett så bra och säkert resultat som möjligt. Att försöka såga med en slö och/eller smutsig klinga kan orsaka bakåtkast och resultera i allvarlig personskada.

⚠ FÖRSIKTIGT: Se alltid till att klingskyddet stängs i originalpositionen innan inspektion eller underhåll utförs. Kila eller knyt aldrig fast klingskyddet i öppet läge under rengöring. Ett exponerat blad kan orsaka allvarlig personskada.

OBSERVERA: Använd inte bensin, förtunningsmedel, alkohol eller liknande. Missfärgning, deformation eller sprickor kan uppstå.

För att upprätthålla produktens SÄKERHET och TILLFÖRLITLIGHET bör allt underhålls- och justeringsarbete utföras av ett auktoriserat Makita servicecenter och med reservdelar från Makita.

Inställning av sågvinkeln

Maskinen är noga inställd och inriktad på fabriken, men ovarsam hantering kan påverka detta. Om maskinen inte är korrekt riktad gör du på följande sätt:

Geringsvinkel

Sänk ned handtaget helt och lås det med låstappen i nedsänkt läge. Skjut vagnen mot anhållet. Vrid handtaget moturs och ha geringssskivan redo för positiv stoppfunktion med låsspaken. Lossa sedan skruvarna som håller fast pekaren och vinkeln på geringssskalan.

► **Fig.83:** 1. Handtag 2. Låsspak 3. Skruv på pekare 4. Skruvar på geringssskala 5. Vinkel geringssskala

Ställ geringssskivan i position 0° med den positiva stoppfunktionen. Rikta in cirkelsågbladets sida vinkelrätt med anhållets yta med en vinkelhake. Dra åt skruvarna på geringssskalan samtidigt som du ser till att klingan fortfarande är vinkelrät mot anhållet. Rikta därefter in pekarna (både höger och vänster) med position 0° på geringssskalan och dra åt skruven på pekaren.

► **Fig.84:** 1. Vinkelhake 2. Pekare

Vinkel för vinkelsågning

0° vinkel för vinkelsågning

Tryck vagnen mot anhällen och lås skjutrörelsen med låstappen. Sänk ned vagnen helt och lås den i nedsänkt läge med låstappen. Vrid vredet moturs och vrid sedan inställningsbulten för 0° två eller tre varv moturs för att luta cirkelsågbladet åt höger.

► **Fig.85:** 1. Vred 2. Inställningsbult för 0° 3. Skruv på pekaren

Justera noggrant cirkelsågbladets sida och geringssskivans ovsandsida i rätt vinkel med en vinkelhake, vinkellinjal etc. genom att vrida inställningsbulten för 0° medurs. Dra därefter åt vredet för att säkra den 0°-vinkel som du ställt in.

► **Fig.86:** 1. Vinkelhake 2. Sågklinga 3. Geringssskivans ovsandsida

Kontrollera igen om cirkelsågbladets sida är i rätt vinkel med geringssskivans yta. Lossa på skruven på pekaren. Rikta in pekaren med 0°-position på vinkelskalan och dra därefter åt skruven.

45° vinkel för vinkelsågning

OBSERVERA: Innan justering av 45°-vinkeln för vinkelsågning, avsluta först justeringen av 0°-vinkeln för vinkelsågning.

Lossa på ratten och luta vagnen helt åt den sida som du vill kontrollera. Kontrollera om pekaren indikerar 45°-position på vinkelskalan.

► **Fig.87:** 1. Vred

Om pekaren inte indikerar 45°-position, rikta in den med 45°-positionen genom att vrida inställningsbulten i vinkelskalans på motsatt sida av skivan.

► **Fig.88:** 1. Vänster inställningsbult för 45° 2. Höger inställningsbult för 45°

Rengöra lampans glas

⚠ FÖRSIKTIGT: Ta alltid bort cirkelsågbladet innan rengöring av lampans glas.

OBSERVERA: Ta inte bort skruven som fäster linsen. Om inte linsen går att ta ut, lossa mer på skruven.

OBSERVERA: Använd en torr trasa för att torka bort smuts från lampglaset. Var försiktig så att inte lampglaset repas eftersom ljuset då kan bli svagare.

OBSERVERA: Använd inte lösningsmedel eller petroleumbaserade rengöringsmedel på linsen.

LED-ljuset blir svårt att se om glaset blir smutsigt. Gör rent glaset med jämna mellanrum.

Ta bort batterikassetten. Lossa på skruven och dra ut linsen. Gör rent linsen försiktigt med en fuktig trasa.

► **Fig.89:** 1. Skruv 2. Lins

Efter användning

Ta bort de spån och det damm som har fastnat på maskinen med en tygduk eller liknande efter att arbetet är avslutat. Se till att du håller klingskyddet rent, i enlighet med de anvisningar som tidigare beskrivits i avsnittet med titeln "Klingskydd". Smörj in de rörliga delarna med maskinolja för att förhindra rostbildning.

VALFRJA TILLBEHÖR

⚠ VARNING: Dessa tillbehör eller tillsatser från Makita rekommenderas för användning med den Makita-maskin som denna bruksanvisning avser.

Om andra tillbehör eller tillsatser används kan det resultera i allvarlig personskada.

⚠ VARNING: Använd endast tillbehören eller tillsatserna från Makita för de syfte de är avsedda för. Felaktig hantering av tillbehör eller delar kan leda till allvarlig personskada.

Kontakta ditt lokala Makita servicecenter om du behöver ytterligare information om dessa tillbehör.

- Sägklinga med hårdmetallspetsar
- Vertikal tving
- Horisontell tving
- Sats för kronliststopp
- Damppåse
- Vinkelhake
- Insexnyckel
- Trådlös enhet
- Stativsats
- Bottenplatta
- Makitas originalbatteri och -laddare

OBS: Några av tillbehören i listan kan vara inkluderade i maskinpaketet som standardtillbehör. De kan variera mellan olika länder.

TEKNISKE DATA

Modell:		LS004G
Bladdiameter	Land i Europa	260 mm
	Land utenfor Europa	255 mm - 260 mm
Hulldiameter	Land i Europa	30 mm
	Land utenfor Europa (landsspesifikk)	15,88 mm / 25,4 mm / 30 mm
Sagbladets maks. snittykkelse		3,2 mm
Maks gjæringsvinkel		Høyre 60°, venstre 60°
Maks skjæringsvinkel		Høyre 48°, venstre 48°
Hastighet uten belastning (o/min)		3 600 min ⁻¹
Mål (L x B x H)		805 mm x 644 mm x 660 mm
Merkespenning		DC 36 V - 40 V maks
Nettovekt		26,6 - 27,2 kg

Skjærekapasitet (H x B)

Gjæringsvinkel	Skråvinkel		
	45° (venstre)	0°	45° (høyre)
0°	42 mm x 310 mm 58 mm x 279 mm	68 mm x 310 mm 91 mm x 279 mm	29 mm x 310 mm 43 mm x 279 mm
45° (høyre og venstre)	42 mm x 218 mm 58 mm x 197 mm	68 mm x 218 mm 91 mm x 197 mm	29 mm x 218 mm 43 mm x 197 mm
60° (høyre og venstre)	-	68 mm x 155 mm 91 mm x 139 mm	-

Skjærekapasitet for spesialsaging

Sagemetode	Skjærekapasitet
Profilist med 45° vinkel (ved bruk av stopper for profilist)	168 mm
Basisbord (ved bruk av horisontal skrustikke)	133 mm

- På grunn av vårt kontinuerlige forsknings- og utviklingsprogram kan spesifikasjonene som oppgis i dette dokumentet endres uten varsel.
- Spesifikasjonene kan variere fra land til land.
- Vekten kan variere avhengig av tilbehøret/tilbehørene, inkludert batteriet. Den letteste og tyngste kombinasjonen, i henhold til EPTA-prosedyre 01/2014, vises i tabellen.

Passende batteri og lader

Batteriinnsett	BL4020 / BL4025 / BL4040* / BL4050F* * : Anbefalt batteri
Lader	DC40RA / DC40RB / DC40RC

- Noen av batteriene og laderne som er opplistet ovenfor er kanskje ikke tilgjengelige, avhengig av hvor du bor.

⚠ ADVARSEL: Bruk kun de batteriene og laderne som er opplistet ovenfor. Bruk av andre batterier og ladere kan føre til personskader og/eller brann.

Symboler

Nedenfor ser du symbolene som kan brukes for dette utstyret. Forviss deg om at du forstår hva de betyr, før du begynner å bruke maskinen.



Les bruksanvisningen.



Bruk vernebriller.



Etter at du har skåret, bør du holde sagen ned helt til bladet stopper, for å unngå skade fra flyvende rester.



Når du utfører skråskjæring, må du først dreie knappen mot klokken og så vipper du føreanlegget. Etter det, dreier du knappen med klokken for å stramme skruen.



Når du utfører glidekutt, må du først dra føreanlegget helt og trykke ned håndtaket. Trykk deretter føreanlegget mot veiledningsanlegget.



Holde utløserknappen inne mens du vipper vognen mot høyre.



Når du skjærer fotlisten i en gjæringsvinkel på 45°, må du sette stopperspaken.



Ikke plasser hender eller fingre i nærheten av sagbladet.



Ikke sturre på driftslampen.



A: Bladdiameter
B: Hull diameter



Ikke installer den horisontale skruestikken i samme retning som gjæringsagen. (Dette symbolet er brukt på den horisontale skruestikken)



Kun for EU-land
På grunn av forekomst av farlige komponenter i utstyret, kan avfall fra elektrisk og elektronisk utstyr, akkumulatører og batterier ha en negativ innvirkning på miljøet og menneskers helse. Ikke kast elektriske og elektroniske apparater eller batterier sammen med husholdningsavfall! I samsvar med det europeiske direktivet om avfall fra elektrisk og elektronisk utstyr og om akkumulatører og batterier samt akkumulatører og batterier som skal kastes, samt deres tilpasning til nasjonal lovgivning, skal brukt elektrisk utstyr samt brukte batterier og akkumulatører samles inn separat og leveres til et eget innsamlingssted for kommunalt avfall, som driver virksomhet i samsvar med miljøvernforskriftene. Dette er angis av symbolet med den overkryssede avfallsbeholderen som er plassert på utstyret.

Riktig bruk

Denne maskinen er laget for nøyaktig og rett gjærings-saging i tre. Ikke bruk sagen til å skjære annet enn tre, aluminium og lignende materialer.

Støy

Typisk A-vektet lydtrykknivå er bestemt i henhold til EN62841-3-9:

Lydtrykknivå (L_{pA}): 91 dB (A)

Lydeffektnivå (L_{WA}): 100 dB (A)

Usikkerhet (K): 3 dB (A)

MERK: Den/de oppgitte verdien(e) for genererte vibrasjoner har blitt målt i henhold til standard testmetoder, og kan bli brukt til å sammenligne ett verktøy med et annet.

MERK: Den/de angitte verdien(e) for de genererte vibrasjonene kan også brukes til en foreløpig vurdering av eksponeringen.

⚠ ADVARSEL: Bruk hørselsvern.

⚠ ADVARSEL: De genererte vibrasjonene ved faktisk bruk av elektroverktøyet kan avvike fra den/de angitte vibrasjonsverdien(e), avhengig av hvordan verktøyet brukes.

⚠ ADVARSEL: Sørg for å identifisere vernetiltak for å beskytte operatøren, som er basert på et estimat av eksponeringen under de faktiske bruksforholdene (idet det tas hensyn til alle deler av driftssyklusen, dvs. hvor lenge verktøyet er slått av, hvor lenge det går på tomgang og hvor lenge startbryteren faktisk holdes trykket).

EFs samsvarserklæring

Gjelder kun for land i Europa

EFs samsvarserklæring er lagt til som vedlegg A i denne bruksanvisningen.

SIKKERHETSADVARSEL

Generelle advarsler angående sikkerhet for elektroverktøy

⚠ ADVARSEL: Les alle sikkerhetsadvarsler, instruksjoner, illustrasjoner og spesifikasjoner som følger med dette elektroverktøyet. Hvis ikke alle instruksjonene nedenfor følges, kan det forekomme elektrisk støt, brann og/eller alvorlig skade.

Oppbevar alle advarsler og instruksjoner for senere bruk.

Uttrykket «elektrisk verktøy» i advarslene refererer både til elektriske verktøy (med ledning) tilkoblet strømmettet, og batteridrevne verktøy (uten ledning).

Sikkerhetsanvisninger for gjærings-sager

1. **Gjærings-sager er beregnet på saging av tre eller treaktige produkter. De må ikke brukes med kappeskiver med slipeeffekt for å sage materialer som f.eks. stenger, stolper, nagler, osv.** Slipestøv får bevegelige deler, som f.eks. det nedre vernet, til å kile seg. Gnister fra slipende saging vil brenne det nedre vernet, snittinnsatsen og andre plastdeler.

2. **Bruk klemmer for å holde arbeidsstykket på plass så sant det er mulig. Hvis du holder arbeidsstykket med hånden, må du alltid holde hånden minst 100 mm unna hver side av sagbladet. Ikke bruk denne sagen til å sage stykker som er for små til å festes godt med klemmer eller holdes med hånden. Hvis du holder hånden for nær sagbladet, øker faren for skade som følge av kontakt med bladet.**
 3. **Arbeidsstykket må være i ro og holdes fast med klemmer eller hånden både mot anleggsflaten og bordet. Ikke mat arbeidsstykket inn i bladet eller sag på "frihånd".** Arbeidsstykker som ligger løst eller beveger seg kan kastes tilbake i høy hastighet og forårsake skader.
 4. **Skyv sagen gjennom arbeidsstykket. Ikke dra sagen gjennom arbeidsstykket. Når du skal sage, hever du saghodet og drar det ut over arbeidsstykket uten å sage, starter motoren, presser saghodet ned og skyver sagen gjennom arbeidsstykket. Hvis du sager samtidig som du drar, vil sagbladet mest sannsynlig bevege seg oppå arbeidsstykket og slynge bladenheten mot operatøren med voldsom kraft.**
 5. **Du må aldri krysse hånden over den tiltenkte skjærelinjen, verken foran eller bak sagbladet.** Å holde arbeidsstykket "med hendene i kryss", dvs. at du holder arbeidsstykket til høyre for sagbladet med venstrehånden eller motsatt, er svært farlig.
- **Fig.1**
6. **Ikke strekk hånden nærmere enn 100 mm fra hver side av sagbladet bak anleggsflaten for å fjerne rester av tre – eller av noen som helst annen grunn – mens bladet svinger.** Det er ikke sikkert at du merker hvor nær hånden er det svivende sagbladet, og du kan bli alvorlig skadet.
 7. **Undersøk arbeidsstykket før du sager. Hvis arbeidsstykket er bøyd eller vridd, klemmer du det med den utvendige buede flaten mot anleggsflaten. Pass alltid på at det ikke noen avstand mellom arbeidsstykket, anleggsflaten og bordet langs skjærelinjen.** Bøyde eller vridd arbeidsstykker kan vri eller flytte på seg, og det kan føre til at arbeidsstykket setter seg fast i det svivende sagbladet under saging. Det må ikke være spiker eller fremmedlegemer i arbeidsstykket.
 8. **Ikke bruk sagen før bordet er fritt for alt verktøy, alle rester av tre, osv. unntatt arbeidsstykket.** Små rester, løse trebiter eller andre gjenstander som kommer i kontakt med det roterende bladet, kan bli kastet tilbake i høy hastighet.
 9. **Du må kun sage ett arbeidsstykke om gangen.** Det er umulig å klemme eller holde fast flere arbeidsstykker som er stablet oppå hverandre tilstrekkelig, og de kan sette seg fast i bladet eller bevege seg under saging.
 10. **Sørg for at gjæringsagen er montert eller plassert på en jevn, fast arbeidsflate før bruk.** En jevn og fast arbeidsflate reduserer faren for at gjæringsagen blir ustabil.
 11. **Planlegg arbeidet. Hver gang du endrer skrå- eller gjæringsvinkelen, må du sørge for at den justerbare anleggsflaten er stilt riktig inn for å holde arbeidsstykket uten at den kommer i konflikt med bladet eller vernesystemet.** Uten å slå på verktøyet og uten arbeidsstykket på bordet, beveger du sagbladet gjennom en fullstendig simulert skjæring for å sikre at det ikke vil oppstå konflikt eller fare for å sage i anleggsflaten.
 12. **Sørg for tilstrekkelig støtte som bordforlengere, sagkracker, osv. hvis arbeidsstykket er bredere eller lengre enn bordplaten.** Arbeidsstykker som er lengre eller bredere enn gjæringsagbordet kan vippe hvis de ikke har tilstrekkelig støtte. Hvis stykket som er saget av eller arbeidsstykket vipper, kan det nedre vernet bli løftet opp eller kastet tilbake av det svivende bladet.
 13. **Ikke bruk en annen person som erstatning for en bordforlenger eller som ekstra støtte.** Hvis ikke arbeidsstykket støttes tilstrekkelig, kan det føre til at bladet setter seg fast eller at arbeidsstykket flytter seg under sagingen, slik at du og medhjelperen din blir trukket inn i det svivende bladet.
 14. **Stykket som er saget av må ikke på noen måte kiles eller presses mot det svivende sagbladet.** Hvis stykket som er saget av blir klemt inne, dvs. av lengdestoppere, kan det treffe bladet og bli kastet tilbake med voldsom kraft.
 15. **Bruk alltid en klemme eller et festelement som er beregnet på å holde runde materialer som stenger eller rør.** Stenger har en tendens til å rulle når de sages, slik at bladet "biter seg fast" og trekker arbeidsstykket og hendene dine inn i bladet.
 16. **La bladet nå fullhastighet før du setter det i kontakt med arbeidsstykket.** Dette reduserer faren for at arbeidsstykket kastes tilbake.
 17. **Hvis arbeidsstykket eller bladet kiler seg, må du slå av gjæringsagen. Vent til alle bevegelige deler har stanset, og trekk støpselet ut av stikkkontakten og/eller ta ut batteriet. Deretter fjerner du det fastkillede materialet.** Hvis du fortsetter å sage når et arbeidsstykke har kilt seg, kan du miste kontrollen eller skade gjæringsagen.
 18. **Når du er ferdig å sage, slipper du bryteren, holder saghodet nede, og venter til bladet stanser før du tar bort stykket som er saget av.** Det er farlig å bevege hånden i nærheten av det rullende bladet.
 19. **Hold godt tak i hendelen når du utfører en ufullstendig skjæring eller når du slipper bryteren før saghodet er helt nede.** Når sagen bremses ned, kan saghodet trekkes brått nedover og forårsake personskade.
 20. **Bruk bare sagbladet med diameter som er merket på verktøyet eller spesifisert i håndboken.** Bruk av et blad med feil størrelse kan påvirke riktig beskyttelse av bladet eller bruk av bladvernet, som kan resultere i alvorlig personskade.
 21. **Bruk bare sagbladene som er merket med en hastighet som er lik eller høyere enn hastigheten som er merket på verktøyet.**
 22. **Ikke bruk sagen til å sage annet enn tre, aluminium og lignende materialer.**
 23. **(Kun land i Europa.)**
Bruk alltid bladet som overholder EN847-1.
- Ekstra anvisninger**
1. **Gjør verkstedet barnesikkert med hengelåser.**
 2. **Du må aldri stå på verktøyet.** Hvis verktøyet vippes eller ved utilsiktet kontakt med skjæreverktøyet, kan det oppstå alvorlig personskade.
 3. **La aldri verktøyet svinge uten tilsyn. Slå av strømmen. Ikke forlat verktøyet før det har stanset helt opp.**

4. Ikke bruk verktøyet uten at vernet er på plass. Kontroller at det nedre vernet er ordentlig lukket før bruk. Ikke begynn å bruke sagen hvis det nedre vernet ikke beveger seg fritt og lukker seg momentant. Bladvernet må aldri klemmes fast eller bindes opp i åpen stilling.
5. Hold hendene unna sagbladets bane. Unngå kontakt med rullende blader. Det kan føre til alvorlig personskade.
6. Før sleden helt tilbake i bakre stilling etter hver fullførte sageoperasjon for å redusere faren for personskade.
7. Sikre alle bevegelige deler før du flytter verktøyet.
8. Stopperstiften eller stopperspaken som låser skjærehodet ned er kun til for løfting eller oppbevaring og ikke for å sage.
9. Før du begynner å bruke verktøyet, må du kontrollere nøye at bladet ikke har sprekker eller andre skader. Skift ut sprukne eller ødelagte blader omgående. Harpiks og bek som størkner på bladene reduserer turtallet på sagen og øker risikoen for tilbakeslag. Hold bladet rent ved først å ta det av verktøyet og deretter gjøre det rent med en harpiks- og bekfjerner, varmt vann eller parafin. Bruk aldri bensin når du skal rengjøre bladet.
10. Når du bruker uttrekksfunksjonen for å kappe et arbeidsstykke, kan TILBAKESLAG forekomme. TILBAKESLAG skjer når bladet setter seg fast i arbeidsstykket under saging, og sagbladet slås raskt tilbake mot operatøren. Dette kan føre til manglende kontroll og alvorlig personskade. Hvis bladet begynner å sette seg fast under saging, må du straks slippe bryteren og stanse arbeidet.
11. Bruk bare flensom er spesifisert for dette verktøyet.
12. Pass på å ikke skade akselen, flensene (spesielt installeringsoverflaten) eller bolten. Skade på disse delene kan føre til at bladet brykker.
13. Forsikre deg om at dreiefoten er sikret skikkelig, slik at den ikke kan forskyve seg under bruk. Fest sagen til en stabil arbeidsplattform eller benk ved hjelp av hullene i foten. Du må **ALDRI** bruker verktøyet hvis du står ubekvemt.
14. Forsikre deg om at spindellåsen er av før du slår på bryteren.
15. Forsikre deg om at bladet ikke er i kontakt med dreiefoten i den laveste stillingen.
16. Hold hendelen godt fast. Vær oppmerksom på at sagen går litt opp og ned når den startes og stoppes.
17. Forviss deg om at bladet ikke er i kontakt med arbeidsstykket, før du slår på bryteren.
18. La verktøyet svive en liten stund før du begynner å bruke det på et arbeidsstykke. Se etter vibrasjoner eller vingling som kan tyde på at bladet er dårlig balansert.
19. Hvis du merker at noe er uvanlig, må du stanse arbeidet omgående.
20. Ikke forsøk å låse avtrekkeren i PÅ-stillingen.
21. Bruk alltid tilbehør anbefalt i denne håndboken. Bruk av upassende tilbehør som rue hjul kan føre til personskade.
22. Enkelte materialer inneholder kjemikalier som kan være giftige. Vis forsiktighet for å forhindre hudkontakt og innånding av støv. Følg leverandørens sikkerhetsanvisninger.
23. Ikke bruk en strømtilførsel med ledning til dette verktøyet.

Ytterligere sikkerhetsregler for driftslampen

1. Ikke se direkte på lyset eller lyskilden.

TA VARE PÅ DISSE INSTRUKSENE.

⚠ ADVARSEL: IKKE LA hensynet til hva som er "behagelig" eller det faktum at du kjenner produktet godt (etter mange gangers bruk) gjøre deg mindre oppmerksom på sikkerhetsreglene for bruken av det aktuelle produktet. Ved MISBRUK eller hvis ikke sikkerhetsreglene i denne bruksanvisningen følges, kan det oppstå alvorlig personskade.

Viktige sikkerhetsanvisninger for batteriinnsetts

1. Før du begynner å bruke batteriet, må du lese alle anvisninger og forsiktighetsregler på (1) batteriladeren, (2) batteriet og (3) det produktet batteriet skal brukes i.
2. Ikke demonter eller tukle batteriet. Det kan føre til brann, overoppheting eller eksplosjon.
3. Hvis driftstiden er blitt vesentlig kortere, må du omgående slutte å bruke maskinen. Hvis ikke kan resultatet bli overoppheting, mulige forbrenninger eller til og med en eksplosjon.
4. Hvis du får elektrolytt i øynene, må du skylle dem med store mengder rennende vann og oppsøke lege med én gang. Denne typen uhell kan føre til varig blindhet.
5. Ikke kortslutt batteriet:
 - (1) De kan være ekstremt varme og du kan brenne deg.
 - (2) Ikke lagre batteriet i samme beholder som andre metallgjenstander, som for eksempel spiker, mynter osv.
 - (3) Ikke la batteriet komme i kontakt med vann eller regn.

En kortslutning av batteriet kan føre til et kraftig strømstøt, overoppheting, mulige forbrenninger og til og med til at batteriet går i stykker.
6. Ikke oppbevar og bruk verktøyet og batteriet på steder hvor temperaturen kan komme opp i eller overskride 50 °C.
7. Ikke sett fyr på batteriet, ikke engang om det er sterkt skadet eller helt utslitt. Batteriet kan eksplodere hvis det begynner å brenne.
8. Du må ikke spikre, skjære, klemme, kaste eller miste batteriet, og heller ikke slå en hard gjenstand mot batteriet. En slik oppførsel kan føre til brann, overoppheting eller eksplosjon.
9. Ikke bruk batterier som er skadet.

10. **Lithium-ion-batteriene som medfølger er gjenstand for krav om spesialavfall.**
For kommersiell transport, f.eks av tredjeparter eller speditører, må spesielle krav om pakking og merking følges.
Før varen blir sendt, må du forhøre deg med en ekspert på farlig materiale. Ta også hensyn til muligheten for mer detaljerte nasjonale bestemmelser.
Bruk teip eller maskeringsteip for å skjule åpne kontakter og pakk inn batteriet på en slik måte at den ikke kan bevege seg rundt i emballasjen.
11. **Når du kasserer batteriinnsetningen, må du ta den ut av verktøyet og avhende den på et sikkert sted. Følg lokale bestemmelser for avhending av batterier.**
12. **Bruk batteriene kun med produkter spesifisert av Makita.** Montere batteriene i produkter som ikke er konforme kan føre til brann, overheting eller elektrolyttlekkasje.
13. **Hvis verktøyet ikke skal brukes over en lengre periode, må batteriet tas ut av verktøyet.**
14. **Under og etter bruk kan batteriet bli varmt og før til brannskader. Vær forsiktig med håndteringen av varme batterier.**
15. **Ikke berører terminalen på verktøyet rett etter bruk, da den kan bli varm og forårsake brannskader.**
16. **Ikke la spon, støv eller jord sette seg fast i terminalene, hullene og sporene i batteriet.** Det kan føre til dårlig ytelse eller at verktøyet eller batteriet slutter å fungere.
17. **Med mindre verktøyet støtter bruk nær en høyspent strømlinje, skal ikke batteriet brukes nær en høyspent strømlinje.** Det kan føre til en funksjonsfeil eller at verktøyet eller batteriet slutter å fungere.
18. **Oppbevar batteriet utilgjengelig for barn.**

TA VARE PÅ DISSE INSTRUKSENE.

⚠️ FORSIKTIG: Bruk kun originale Makita-batterier. Bruk av batterier som har endret seg, eller som ikke er originale Makita-batterier, kan føre til at batteriet sprekker og forårsaker brann, personskader og andre skader. Det vil også ugyldiggjøre garantien for Makita-verktøyet og -laderen.

Tips for å opprettholde maksimal batterilevetid

1. **Lad batteriinnsetningen før den er helt utladet. Stopp alltid driften av verktøyet og lad batteriinnsetningen når du merker at effekten reduseres.**
2. **Lad aldri en batteriinnsetning som er fulladet. Overopplading forkorter batteriets levetid.**
3. **Lad batteriet i romtemperatur ved 10 °C - 40 °C. Et varmt batteri må kjøles ned før lading.**
4. **Når batteriet ikke er bruk, skal det tas ut av verktøyet eller laderen.**
5. **Lad batteriet hvis det ikke har vært brukt på en lang stund (over seks måneder).**

Viktige sikkerhetsanvisninger for trådløs enhet

1. **Du må ikke demontere eller tukle med den trådløse enheten.**
2. **Hold den trådløse enheten unna små barn. Hvis enheten ved et uhell svelges, skal lege kontaktes umiddelbart.**
3. **Den trådløse enheten skal kun brukes med Makita-verktøy.**
4. **Ikke utsett den trådløse enheten for regn eller fuktighet.**
5. **Ikke bruk den trådløse enheten på steder der temperaturen overskrider 50 °C.**
6. **Ikke bruk den trådløse enheten på steder der medisinsk utstyr, som pacemakere, er i nærheten.**
7. **Ikke bruk den trådløse enheten på steder der automatiserte enheter er i nærheten.** Hvis automatisert enheter tas i bruk, kan det oppstå en funksjonssvikt eller feil.
8. **Ikke bruk den trådløse enheten på steder med høye temperaturer eller der det kan genereres statisk elektrisitet eller elektrisk støv.**
9. **Den trådløse enheten kan skape elektromagnetiske felt (EMF), men de er ikke skadelige for brukeren.**
10. **Den trådløse enheten er presisjonsinstrument. Vær forsiktig så du ikke mister eller utsetter den trådløse enheten for slag.**
11. **Unngå å berøre den trådløse enhetens tilkoblingspunkt med ubeskyttede hender eller metallmaterialer.**
12. **Du må alltid ta batteriet ut av produktet når du skal installere den trådløse enheten.**
13. **Når du skal åpne sporets lokk, må du unngå steder der støv og vann kan trenge inn i sporet. Du må alltid sørge for at sporets innløp er rent.**
14. **Sett alltid den trådløse enheten inn i riktig retning.**
15. **Ikke trykk for hardt på trådløseknappen på den trådløse enheten, og trykk heller ikke på knappen med en gjenstand med skarp kant.**
16. **Du må alltid lukke sporets lokk under bruk.**
17. **Ikke fjern den trådløse enheten fra sporet mens verktøyet forsynes med strøm.** Det kan føre til en funksjonsfeil i den trådløse enheten.
18. **Ikke fjern klebmerket på den trådløse enheten.**
19. **Ikke sett klebmerker på den trådløse enheten.**
20. **Ikke etterlat den trådløse enheten på et sted der det kan genereres statisk elektrisitet eller elektrisk støv.**
21. **Ikke etterlat den trådløse enheten på et sted der den kan utsettes for mye varme, som i en bil som er parkert i solen.**
22. **Ikke etterlat den trådløse enheten på et sted med mye støv eller pulver, eller på et sted der det kan genereres korroderende gass.**
23. **En plutselig temperaturendring kan få den trådløse enheten til å dugge. Ikke bruk den trådløse enheten før duggen har tørket helt bort.**
24. **Når du rengjør den trådløse enheten, tørker du forsiktig av den med en tørr, myk klut. Ikke bruk bensin, tynner, ledende fett eller lignende.**

25. Når den trådløse enheten skal lagres, oppbevares den i esken som følger med eller en beholder som ikke er statisk.
26. Ikke sett andre enheter med Makitas trådløse enhet inn i sporet på verktøyet.
27. Ikke bruk verktøyet hvis sporets lokk er skadet. Vann, støv om smuss som trenger inn i sporet kan føre til funksjonsfeil.
28. Ikke dra i og/eller vri sporets lokk mer enn nødvendig. Sett lokket tilbake på plass hvis det løsner fra verktøyet.
29. Erstatt sporets lokk hvis det går tapt eller blir skadet.

TA VARE PÅ DISSE INSTRUKSENE.

DELEBESKRIVELSE

► Fig.2

1	Knott (for skråvinkel)	2	Sekskantnøkkel	3	Justeringskrue (for nedre grenseposisjon)	4	Justeringskrue (for maksimal skjærekapasitet)
5	Stopperarm	6	AV-sperreknapp	7	Startbryter	8	Lokk (for trådløs enhet)
9	Hull for hengelås	10	Trådløsaktiveringsknapp	11	Trådløsaktiveringslampe	12	Lampeknapp
13	Vakuumpknapp	14	Bladkasse	15	Bladvern	16	Holder
17	Sperrehendel (for dreiefot)	18	Utløerspak (for dreiefot)	19	Grep (for dreiefot)	20	Snittplate
21	Gjæringsvinkelskala	22	Peker (for gjæringsvinkel)	23	Dreiefot	24	Utløserknapp (for skråvinkel på høyre side)
25	Vertikal skrustikke	26	Anslagsstift (for skyving av sleden)	27	Glidestang	-	-

► Fig.3

1	Håndtak	2	Batteri	3	Støvpose (når den byttes ut med støvavsugsslange)	4	Slange (for støvavsug)
5	Justeringsbolt for 0° (for skråvinkel)	6	Skråvinkelskala	7	Peker (for skråvinkel)	8	Justeringsbolt for 45° (for skråvinkel)
9	Låsehendel (for skråvinkel)	10	Utløerspak (for 48° skråvinkel)	11	Føringsflate (øvre anleggsflate)	12	Føringsflate (nedre anleggsflate)
13	Anslagsstift (for heving av sleden)	14	Spindellås	-	-	-	-

MONTERING

Montere håndtaket

Skru håndtakets gjengede aksel inn i dreiefoten.

► Fig.4: 1. Håndtak 2. Dreiefot

Installere og fjerne støvavsugsslangen

Fest slangealbuen til den øvre porten med sperreknappen vendt oppover. Sett inn slangehylsen i den nedre porten, og trykk på og juster stoppknappene på hylsen etter føringshakkene på porten.

Sørg for at albuen og hylsen passer inn i portene på verktøyet.

► Fig.5: 1. Støvavsugsslange 2. Rørbend
3. Sperreknapp 4. Hylse 5. Øvre port
6. Nedre port

Hvis du vil fjerne slangealbuen fra porten, trekker du i albuen mens du trykker ned sperreknappen.

► Fig.6: 1. Sperreknapp 2. Rørbend

Hvis du vil fjerne slangehylsen fra porten, drar du i hylsen mens du trykker på stoppknappene på begge sider av porten.

► Fig.7: 1. Stoppknapp 2. Hylse

Benkmontering

Når verktøyet sendes fra fabrikk, er hendelen låst i senket stilling med anslagsstiften. Senk hendelen en anelse, dra i anslagsstiften, og dreid den 90°.

► Fig.8: 1. Låst stilling 2. Ulåst stilling 3. Anslagsstift

Denne sagen bør boltes med fire skruer til en jevn og stabil overflate ved hjelp av skruellene i sagfoten. Dette vil hjelpe deg å unngå velt og personskader.

► Fig.9: 1. Bolt

⚠ ADVARSEL: Forviss deg om at verktøyet ikke kan bevege seg på opplagerflaten. Hvis gjærings-sagen beveger seg på opplagerflaten mens du sager, kan du miste kontroll over sagen og risikere alvorlige personskader.

FUNKSJONSBSKRIVELSE

⚠ ADVARSEL: Forviss deg alltid om at verktøyet er slått av og batteriet tatt ut før du justerer maskinen eller kontrollerer dens mekaniske funksjoner. Hvis du ikke slår av verktøyet og fjerner batteriet, kan det hende at verktøyet starter ved et uhell, noe som kan føre til alvorlig personskade.

Sette inn eller ta ut batteri

⚠ FORSIKTIG: Slå alltid av verktøyet før du setter inn eller fjerner batteriet.

⚠ FORSIKTIG: Hold verktøyet og batteripatronen i et fast grep når du monterer eller fjerner batteripatronen. Hvis du ikke holder verktøyet og batteripatronen godt fast, kan du miste grepet, og dette kan føre til skader på verktøyet og batteripatronen samt personskader.

► **Fig.10:** 1. Rød indikator 2. Knapp 3. Batteriinnsetts

For å ta ut batteriet må du skyve på knappen foran på batteriet og trekke det ut.

Når du skal sette inn batteriet, må du plassere tungen på batteriet på linje med sporet i huset og skyve batteriet på plass. Skyv det helt inn til det går i inngrep med et lite klikk. Hvis du kan se den røde indikatoren som vist i figuren, er det ikke helt låst.

⚠ FORSIKTIG: Batteriet må alltid settes helt inn, så langt at den røde indikatoren ikke lenger er synlig. Hvis dette ikke gjøres, kan batteriet falle ut av verktøyet og skade deg eller andre som oppholder seg i nærheten.

⚠ FORSIKTIG: Ikke bruk makt når du setter i batteriet. Hvis batteriet ikke glir lett inn, er det fordi det ikke settes inn på riktig måte.

Batterivernsystem for verktøy/ batteri

Verktøyet er utstyrt med et batterivernsystem for verktøy/batteri. Dette systemet slår automatisk av strømmen til motoren for å forlenge verktøyets og batteriets levetid. Verktøyet stopper automatisk under drift hvis verktøyet eller batteriet utsettes for en av følgende tilstander. Indikatoren lyser i noen tilfeller.

Overlastsikring

Når verktøyet/batteriet brukes på en måte som gjør at det bruker unormalt mye strøm, vil verktøyet stoppe automatisk. Hvis dette skjer, må du slå av verktøyet og avslutte bruken som forårsaket at verktøyet ble overbelastet. Slå deretter verktøyet på for å starte det igjen.

Overopphetingsvern

Når verktøyet/batteriet er overopphetet, stanser verktøyet automatisk, og lampen vil blinke. Hvis dette skjer, må du la verktøyet kjøle seg ned før du slår på verktøyet igjen.

Overutladningsvern

Når det blir lite batteri igjen, stopper verktøyet automatisk. Hvis verktøyet ikke går selv om bryteren aktiveres, må du ta batteriet ut av verktøyet og lade det.

Indikere gjenværende batterikapasitet

Trykk på sjekk-knappen på batteriet for vise gjenværende batterikapasitet. Indikatorlampene lyser i et par sekunder.

► **Fig.11:** 1. Indikatorlamper 2. Kontrollknapp

Indikatorlamper			Gjenværende batterinivå
Tent	Av	Blinker	
			75 % til 100 %
			50 % til 75 %
			25 % til 50 %
			0 % til 25 %
			Lad batteriet.
			Batteriet kan ha en feil.

MERK: Det angitte nivået kan avvike noe fra den faktiske kapasiteten alt etter bruksforholdene og den omgivende temperaturen.

MERK: Den første (helt til venstre) indikatorlampen vil blinke når batterivernsystemet fungerer.

Håndtakslås

⚠ FORSIKTIG: Hold alltid håndtaket når du slipper anslagsstiften. Ellers vil håndtaket sprette, og dette kan føre til personskade.

Håndtaket kan sperras enten i senket stilling eller hevet stilling med anslagsstiften. Senk eller hev håndtaket helt, og dra og drei anslagsstiften til låst stilling. Håndtaket låses opp ved å dra i anslagsstiften og rotere den 90° i en ulåst stilling mens du senker håndtaket.

► **Fig.12:** 1. Låst stilling 2. Ulåst stilling 3. Anslagsstift

Skyvelås

Trekk i anslagsstiften og drei den 90° i en ulåst posisjon slik at vognene kan beveges fritt. For å låse vognens glidebevegelse må du skyve vognen mot bommen til den stopper, og deretter sette anslagsstiften i låst stilling.

► **Fig.13:** 1. Låst stilling 2. Ulåst stilling 3. Anslagsstift 4. Arm

Bladvern

⚠ ADVARSEL: Bladvernet eller fjæren som er festet til vernet skal aldri fjernes eller settes ute av funksjon. Hvis vernet er satt ute av funksjon slik at et blad er utildekt, kan det oppstå alvorlige personskader når sagen er i bruk.

⚠ ADVARSEL: Aldri bruk maskinen hvis bladvernet eller fjæren er skadet, fungerer dårlig eller er fjernet. Hvis maskinen brukes når vernet er skadet, fungerer dårlig eller er fjernet, kan det oppstå alvorlige personskader.

⚠ FORSIKTIG: Hold alltid bladvernet i god stand for sikker bruk. Stans driften umiddelbart hvis det er hvis det oppstår feil i bladvernet. Kontroller at fjæren går tilbake til utgangsposisjon.

Når du senker håndtaket, heves bladvernet automatisk. Bladvernet er fjærelastet og går tilbake til opprinnelig stilling når kuttingen er fullført og håndtaket heves.

► **Fig.14:** 1. Bladvern

Rengjøring

Hvis det gjennomsiktige bladvernet blir skittent, eller sagflis fester seg slik at bladet og/eller arbeidsstykket ikke lenger er godt synlig, må du ta ut batteriet og forsiktig tørke av vernet med en fuktig klut. Ikke bruk løsemidler eller bensinbaserte rengjøringsmidler på plastvernet, da dette kan skade vernet.

Følg de trinnvise anvisningene nedenfor for å klargjøre for rengjøring.

1. Forsikre deg alltid om at verktøyet er skrudd av og at batteriet er tatt ut.
2. Drei sekskantbolten mot klokken med den medfølgende sekskantnøkkelen mens du holder midtdekslet.
3. Løft bladvernet og midtdekslet.
4. Når rengjøringen er ferdig, må du sette midtdekslet tilbake på plass og stramme til sekskantbolten, ved å utføre trinnene ovenfor i motsatt rekkefølge.
5. Sørg for å sette sirkelsagbladet og midtdekslet tilbake til utgangsposisjonene og stramme til sekskantbolten.

► **Fig.15:** 1. Sekskantnøkkel 2. Sekskantbolt 3. Midtdeksel 4. Bladvern

⚠ ADVARSEL: Ikke ta av fjæren som holder bladvernet. Hvis vernet blir skadet etter som tiden går, eller på grunn av UV-lys, kan du få et nytt på et Makita servicesenter. **VERNET SKAL ALDRI FJERNES ELLER SETTES UT AV FUNKSJON.**

Plassere snittplate

Verktøyet tilveiebringes med snittplatene i dreiefoten, for å redusere slitasje på utgangssiden av et kutt til et minimum. Snittplatene er fabrikkjustert slik at sirkelsagbladet ikke kommer i kontakt med snittplatene. Før bruk må du justere snittplatene på følgende måte:

1. Sørg for å fjerne batteriet. Løsne deretter alle skruene (to hver på høyre og venstre side) som holder snittplatene.

► **Fig.16:** 1. Snittplate 2. Skrue

MERK: De bakerste skruene kan enkelt løsnes og strammes til ved å dreie dreiefoten på skrått. Sørg for at du hever håndtaket helt når du dreier på dreiefoten.

2. Stram dem igjen akkurat så mye at skjæreplatene fortsatt kan beveges lett for hånd.
3. Senk håndtaket helt, og dra og drei anslagsstiften for å låse håndtaket i nedre stilling.
4. Trekk i og drei anslagsstiften på glidestangen slik at sleden kan gli.

► **Fig.17:** 1. Anslagsstift 2. Låst stilling 3. Ulåst stilling

5. Trekk vognen helt mot deg.
6. Juster snittplatene slik at de akkurat kommer i kontakt med sidene på bladtennene.

► **Fig.18**

► **Fig.19:** 1. Sagblad 2. Bladtenner 3. Snittplate 4. Venstre skråskjæring 5. Rett snitt 6. Høyre skråskjæring

OBS: Når du endrer skråvinklene, må du forvise deg om at snittplatene settes riktig på plass igjen.

OBS: Du må alltid fjerne den øvre føringsflaten og vertikale skruestikken før du plasserer snittplatene og venstre eller høyre skråskjæring.

7. Stram de fremre skruene (ikke hardt).
8. Skyv sleden helt mot føringsflatene, og juster snittplatene slik at de akkurat kommer i kontakt med sidene på bladtennene.
9. Stram de bakre skruene (ikke hardt).
10. Etter at snittplatene er justert, løsner du anslagsstiften for håndtakslås og hever hendelen. Deretter må alle skruene strammes godt.

OBS: Når du har stilt inn skråvinkelen, må du sikre at snittplatene er riktig justert. Når skjæreplaten er korrekt justert, vil dette bidra til å gi arbeidsstykket riktig støtte og holde det bedre på plass.

Vedlikeholde maksimal skærekapasitet

Dette verktøyet er fabrikkjustert for å gi maksimal skjærekapasitet for et sagblad på 260 mm.

Når du monterer et nytt sirkelsagblad, må du alltid sjekke nedre grenseposisjon for sirkelsagbladet og justere det på følgende måte ved behov:

1. Fjern batteriet. Sett stopperspaken i aktivert posisjon.

► **Fig.20:** 1. Stopperspak

2. Skyv sleden helt inn mot føringsflatene, og senk håndtaket fullstendig.

► **Fig.21:** 1. Føringsflate 2. Justeringskrue

3. Bruk sekskantnøkkelen til å skru justeringsskrue til sirkelsagbladet kommer litt under tverrsnittet av føringsflatene og overflaten av dreiefoten.

► **Fig.22:** 1. Overflaten av dreiefoten 2. Føringsflate

4. Roter bladet for hånd, mens du holder håndtaket helt ned for å forsikre deg om at sirkelsagbladet ikke berører noen deler av den nedre foten. Etterjuster noe ved behov.

⚠ ADVARSEL: Når du har satt inn et nytt sirkelsagblad og batteriet er tatt ut, må du passe på at sirkelsagbladet ikke berører noen del av den nedre foten når håndtaket er trukket helt ned. Hvis et sirkelsagblad berører foten, kan det oppstå tilbakeslag. Dette kan føre til alvorlig personskade.

► Fig.23

⚠ FORSIKTIG: Du skal alltid sette stopperspaken tilbake i opprinnelig stilling etter justering.

Stopperarm

Nedre grensestilling for sirkelsagbladet kan justeres på en enkel måte med stopperarmen. Stopperarmen justeres ved at du beveger den i pilretningen som vist i figuren. Drei justeringsskruen slik at sirkelsagbladet stopper i ønsket stilling når du senker håndtaket helt.

► Fig.24: 1. Justeringsskrue 2. Stopperarm

⚠ FORSIKTIG: Hold alltid et godt tak i håndtaket mens du justerer. Hvis ikke, kan sleden sprette opp og føre til personskade.

Justere gjæringsvinkelen

⚠ FORSIKTIG: Når du har endret gjæringsvinkelen, må du alltid sikre dreiefoten ved å returnere låsespaken/ utløserpaken i låst stilling og stramme grepet godt.

OBS: Når du dreier dreiefoten, må du heve håndtaket helt.

1. Drei grepet mot klokken. Trykk og hold låsespaken ned i en ulåst stilling.
 2. Hold og sving grepet fra side til side for å dreie dreiefoten.
 3. Innrett pekeren i ønsket vinkel på skalaen på gjæringsvinkelskalaen.
 4. Frigjør sperrespaken og stram grepet.
- Fig.25: 1. Grep 2. Låsespak 3. Peker 4. Gjæringsvinkelskala

Funksjon for fast anslag

Denne gjæringsssagen har en funksjon for fast anslag. Du kan raskt stille inn høyre/venstre gjæringsvinkel på 0°, 15°, 22,5°, 31,6°, 45° og 60°.

1. Drei grepet mot klokken
 2. Trykk og hold låsespaken ned i en ulåst stilling.
 3. Drei dreiefoten til ønsket vinkel for fast anslag, og frigjør låsespaken.
 4. Drei dreiefoten i ønsket vinkel for fast anslag til den er festet på plass.
 5. Stram grepet.
- Fig.26: 1. Grep 2. Låsespak 3. Positiv stoppvinkel

MERK: Hvis du vil frigjøre dreiefoten fra vinkelen for fast anslag, trykker du ned utløserpaken. Dreiefoten kan beveses fritt uten at du holder nede låsespaken. Drei grepet for å dreie dreiefoten til ønsket vinkel, og stram grepet.

► Fig.27: 1. Utløserpak

Justere skråvinkelen

⚠ FORSIKTIG: Når du har endret skråvinkelen, må du alltid feste armen ved å skru knotten på glidestangen med klokken.

OBS: Du må alltid fjerne de øvre føringsflatene og den vertikale skrustikken før du justerer skråvinkelen.

OBS: Pass på at sleden er helt oppe når du skråstiller sirkelsagbladet.

OBS: Når du endrer skråvinklene, må du reposisjonere snittplatene riktig som forklart i avsnittet om plassering av snittplater.

OBS: Ikke stram til knotten på glidestangen for hardt. Det kan føre til at skråvinkelens låsemekanisme slutter å fungere som den skal.

Vipp sirkelsagbladet mot venstre

1. Drei knotten på glidestangen mot klokken.
- Fig.28: 1. Knott
2. Dra og drei låsehendelen til den illustrerte stillingen.
- Fig.29: 1. Låsehendel
3. Hold i håndtaket og vipp vognen mot venstre.
 4. Innrett pekeren i ønsket vinkel på skalaen på skråvinkelskalaen.
 5. Stram til knotten med klokken for å feste sledearmen.
- Fig.30: 1. Knott 2. Håndtak 3. Peker 4. Skråvinkelskala

Vipp sirkelsagbladet mot høyre

1. Drei knotten på glidestangen mot klokken.
 2. Hold i håndtaket og vipp vognen litt mot venstre.
 3. Vipp sleden mot høyre mens du trykker på utløserknappen for skråvinkel på høyre side.
 4. Innrett pekeren i ønsket vinkel på skalaen på skråvinkelskalaen.
 5. Stram til knotten med klokken for å feste sledearmen.
- Fig.31: 1. Knott 2. Håndtak 3. Utløserknapp for skråvinkel på høyre side 4. Skråvinkelskala

Vipp sirkelsagbladet med funksjonen for fast anslag

Denne gjæringsssagen har en funksjon for fast anslag. Du kan raskt angi en vinkel på 22,5° og 33,9° for både høyre og venstre.

1. Drei knotten på glidestangen mot klokken.
 2. Vipp sleden til ønsket vinkel for fast anslag mens du hever låsehendelen.
 3. Still inn låsehendelen i en vannrett stilling.
 4. Vipp sleden til ønsket vinkel for fast anslag til den er festet.
 5. Hvis du vil endre vinkelen, drar du låsehendelen mot fronten av verktøyet og vipper sleden på nytt.
 6. Stram til knotten med klokken for å feste sledearmen.
- Fig.32: 1. Knott 2. Låsehendel

Vipp sirkelsagbladet over eller under 0° - 45°

1. Drei knotten på glidestangen mot klokken.
 2. Hold i håndtaket og vipp vognen gjennom 45° litt mot enten venstre eller høyre.
 3. Trekk sleden litt tilbake, og skyv utløserpakken til 48° skråvinkel mot fronten av verktøyet.
 4. Vipp vognen videre mot venstre eller høyre mens spaken står i utløst stilling.
 5. Stram til knotten med klokken for å feste sledearmen.
- **Fig.33:** 1. Knott 2. Håndtak 3. Utløserpakke for 48° skråvinkel

Bryterfunksjon

⚠ ADVARSEL: Før du setter batteriet/batteriene i verktøyet, må du alltid kontrollere om startbryteren aktiverer verktøyet på riktig måte og går tilbake til "AV"-stilling når den slippes. Ikke dra hardt i startbryteren uten å trykke inn AV-sperreknappen. Det kan føre til at bryteren knekker. Hvis du bruker verktøyet med en bryter som ikke fungerer som den skal, kan du komme til å miste kontrollen, og det kan føre til alvorlig personskade.

⚠ ADVARSEL: Maskinen må ALDRI brukes uten at startbryteren er i perfekt stand. Det er SVÆRT FARLIG å bruke maskinen når bryteren er defekt. Reparer bryteren før du bruker maskinen. Hvis dette ikke gjøres, er det fare for alvorlig personskade.

⚠ ADVARSEL: ALDRI sett avsperringsknappen ute av funksjon ved å for eksempel teipe over den. En defekt avsperringsknapp kan føre til at maskinen aktiveres utilsiktet og alvorlige personskader kan oppstå.

⚠ ADVARSEL: Maskinen må ALDRI brukes hvis den begynner å gå bare du trykker på startbryteren, uten at du må trykke på avsperringsknappen også. En skadet/defekt bryter kan føre til at maskinen aktiveres utilsiktet og alvorlige personskader kan oppstå. Returner maskinen til et Makita-servicesenter for å få den reparert FØR videre bruk.

- **Fig.34:** 1. Startbryter 2. AV-sperreknapp 3. Hull for hengelås

For å unngå at noen drar i startbryteren ved en feiltakelse er verktøyet utstyrt med en AV-sperreknapp. For å starte verktøyet må du trykke inn AV-sperreknappen og dra i startbryteren. Slipp startbryteren når du vil stanse verktøyet.

Startbryteren har et hull for feste av en hengelås til å låse verktøyet med.

⚠ ADVARSEL: Ikke bruk en lås med bøyle eller kabel med en diameter på mindre enn 6,35 mm. En mindre bøyle eller kabel vil kanskje ikke kunne låse verktøyet i AV-stilling, noe som kan medføre utilsiktet start av verktøyet og alvorlige personskader.

Form en skjærelinje

⚠ FORSIKTIG: Lampen er ikke regntett. Ikke vask lampen i vann eller bruk den i regn eller i et vått område. Dette kan forårsake elektrisk støt og røykutvikling.

⚠ FORSIKTIG: Ikke berør linsen på lampen, da den er veldig varm når den lyser og rett etter at den er slått av. Dette kan forårsake brannskader.

⚠ FORSIKTIG: Ikke utsett lampen for støt, da dette kan skade den eller redusere levetiden.

⚠ FORSIKTIG: Ikke se inn i lyset eller se direkte på lyskilden.

LED-lampen kaster lys over sirkelsagbladet, og en skygge på bladet faller ned på arbeidsstykket og fungerer som kalibreringsfri skjærelinjeindikator. Trykk på lampeknappen for å belyse. En linje vises der bladet vil møte arbeidsstykkets overflate, linjen blir dypere etter hvert som bladet senkes.

- **Fig.35:** 1. Lampeknapp 2. Lampe 3. Skjærelinje

Indikatoren bidrar til å skjære gjennom en eksisterende avskjærlingslinje som er tegnet med blyant på et arbeidsstykke.

1. Hold i håndtaket og senk sirkelsagbladet slik at en tett skygge fra bladet kastes mot arbeidsstykket.
2. Rett inn en avskjærlingslinje tegnet på arbeidsstykket med den skyggelagte skjærelinjen.
3. Juster gjæringsvinklene og skråvinklene om nødvendig.

MERK: Pass på å slå av lampebryteren etter bruk. Hvis dette ikke gjøres trekkes strøm av batteriet.

MERK: Lyset slukkes automatisk 5 minutter etter avsluttet bruk.

Elektronisk funksjon

Elektrisk brems

Dette verktøyet er utstyrt med elektrisk bladbrem. Hvis verktøyet ikke slutter å virke når startbryteren slippes, må du få gjennomført service ved et Makita servicesenter.

⚠ FORSIKTIG: Bladbremssystemet er ikke en erstatning for beskyttelseskappen. Du må aldri bruke verktøyet uten en fungerende beskyttelseskappe. Et blad uten beskyttelseskappe kan føre til alvorlige personskader.

Konstant hastighetskontroll

Maskinen leveres med en elektronisk hastighetskontroll som bidrar til å holde bladets rotasjonshastighet konstant, selv under belastning. Når bladets rotasjonshastighet er konstant, vil snittet bli svært glatt.

Mykstartfunksjon

Denne funksjonen begrenser oppstartsdrøiemomentet slik at verktoyoppstarten går smidig.

MONTERING

⚠ ADVARSEL: Forviss deg alltid om at maskinen er slått av og batteriet er fjernet før du utfører noe arbeid på maskinen. Hvis du unnlater å slå av støvsugeren og fjerne batteriet, kan det oppstå alvorlige personskader.

Oppbevare sekskantnøkkel

Når sekskantnøkkelen ikke er i bruk, må du oppbevare den som vist i figuren, slik at du ikke mister den.

► **Fig.36:** 1. Sekskantnøkkel

Demontere og montere sagbladet

⚠ ADVARSEL: Forviss deg alltid om at verktøyet er slått av og batteriet er tatt ut før du tar ut og monterer sirkelsagbladet. Hvis verktøyet utilsiktet slås på, vil det være fare for alvorlige personskader.

⚠ ADVARSEL: Bruk kun Makita-nøkkelen som følger med til å montere og demontere sirkelsagbladet. Hvis nøkkelen ikke brukes, kan dette føre til at sekskantbolten strammes for mye eller for lite og dermed til alvorlig personskade.

⚠ ADVARSEL: Aldri bruk eller erstatt deler som ikke er levert med dette verktøyet. Hvis du bruker slike deler kan det føre til alvorlig personskade.

⚠ ADVARSEL: Når sirkelsagbladet er montert, må du alltid forsikre deg om at det sitter godt. Løst tilbehør til sirkelsagbladet kan føre til alvorlig personskade.

Demontere bladet

Bruk følgende trinn for å demontere sirkelsagbladet:

1. Lås sleden i hevet stilling ved å trekke i og dreie anslagsstiften i låst stilling.

► **Fig.37:** 1. Anslagsstift 2. Ulåst stilling 3. Låst stilling

2. Bruk sekskantnøkkelen for å løse sekskantbolten som holder midtdekslet. Hev deretter beskyttelseskappen og midtdekslet.

► **Fig.38:** 1. Sekskantnøkkel 2. Sekskantbolt 3. Midtdeksel 4. Bladvern

3. Trykk på spindellåsen for å låse spindelen, og bruk sekskantnøkkelen til å løse sekskantbolten (med urviseren). Skru deretter ut sekskantbolten, den ytre flensen og sirkelsagbladet.

► **Fig.39:** 1. Sekskantskrue (venstre) 2. Ytre flense 3. Spindellås

4. Hvis den indre flensen fjernes, installerer du den på spindelen slik at den innfelta siden er vendt mot sirkelsagbladet. Hvis flensen er satt i feil, vil den gnisse mot maskinen.

For verktøy med ring

(landsspesifikk)

► **Fig.40:** 1. Sekskantskrue (venstre) 2. Ytre flens 3. Sirkelsagblad 4. Ring 5. Indre flens 6. Spindel 7. Innfelt side

For verktøy uten ring

(landsspesifikk)

► **Fig.41:** 1. Sekskantskrue (venstre) 2. Ytre flens 3. Sirkelsagblad 4. Indre flens 5. Spindel 6. Innfelt side

Montere bladet

⚠ ADVARSEL: Før du monterer bladet på spindelen, må du alltid være sikker på at det er den skiven som passer til bladets akselhull du har tenkt å bruke som er montert mellom indre og ytre flensen. Ved bruk av feil akselhullskive vil bladet kanskje ikke monteres riktig. Dette kan føre til at bladet begynner å vandre og vibrere kraftig, at du mister kontrollen over maskinen under arbeidet og til alvorlige helseskader.

⚠ FORSIKTIG: Sørg for å montere sirkelsagbladet slik at pilen på bladet er stillt inn mot pilen på bladkassen. Hvis dette ikke gjøres, kan resultatet bli personskader eller skader på verktøyet og/eller arbeidsstykket.

Diameteren på akselhull for sirkelsagblad kan avvike avhengig av hvor du bor. Bruk en ring i riktig størrelse for å feste sirkelsagbladet til spindelen når huldiameteren overskrider spindeldiameteren.

Bruk følgende trinn for å montere sirkelsagbladet:

1. Montere sirkelsagbladet forsiktig på den indre flensen. Sørg for at pilretningen på sirkelsagbladet stemmer overens med pilretningen på bladkassen.

► **Fig.42:** 1. Pil på bladkassen 2. Pil på sirkelsagbladet

2. Sett på den ytre flensen og sekskantbolten. Bruk deretter sekskantnøkkelen til å trekke til skruen stramt mot klokken mens du trykker på spindellåsen.

For verktøy med ring

(landsspesifikk)

► **Fig.43:** 1. Sekskantskrue (venstre) 2. Ytre flens 3. Sirkelsagblad 4. Ring 5. Indre flens 6. Spindel 7. Innfelt side

For verktøy uten ring

(landsspesifikk)

► **Fig.44:** 1. Sekskantskrue (venstre) 2. Ytre flens 3. Sirkelsagblad 4. Indre flens 5. Spindel 6. Innfelt side

3. Sett beskyttelseskappen og midtdekslet tilbake i utgangsstillingen. Stram sekskantbolten med klokken for å sikre midtdekslet.

4. Dra og dreie anslagsstiften til en ulåst stilling for å frigjøre sleden fra hevet stilling. Senk sleden, og kontroller at bladvernet beveger seg som det skal.

⚠ FORSIKTIG: Kontroller at spindellåsen har frigjort spindelen før du sager.

Koble til støvsuger

Hvis du vil sage så rent som mulig, kan du koble en Makita-støvsuger til støvmunnstykket (øvre støvtut) ved hjelp av en frontmansjett 24 (valgfritt tilbehør).

► **Fig.45:** 1. Frontmansjett 24 2. Slange 3. Støvsuger

Støvpose

⚠️ FORSIKTIG: Når du skjærer, skal støvposen eller en støvsuger alltid være tilkoblet for å forhindre støvrelaterte farer.

Bruk av støvposer gjør skjærearbeider rene og letter støvoppsamlingen. For å sette på støvposen, ta av støvavsugsslange på verktøyet, og sett på støvposen til støvmunnstykket (øvre støvutløp).

► **Fig.46:** 1. Støvavsugsslange 2. Støvpose
3. Støvmunnstykke (øvre støvutløp)

Når støvposen er omtrent halvfull, må du ta den av verktøyet og trekke ut festemekanismen. Tøm støvposen, og bank den forsiktig for å fjerne partikler som har festet seg til innsiden og som kan hindre videre støvoppsamling.

► **Fig.47:** 1. Festemekanisme

Sikre arbeidsemne

⚠️ ADVARSEL: Det er uhyre viktig at du alltid sikrer arbeidsstykket korrekt med en passende type skrustikke eller kronestopper. Hvis dette ikke gjøres, kan resultatet bli personskader eller skader på verktøyet og/eller arbeidsstykket.

⚠️ ADVARSEL: Når du kutter et arbeidsstykke som er lengre enn sagens støttefot, må du støtte opp hele lengden av materialet forbi støttefoten og holde materialet plant. Når arbeidsstykket er godt støttet, er det mindre fare for farlige tilbakeslag (kickback) og at bladet kommer i klem. Ikke stol på at bare den vertikale skrustikken og/eller den horisontale skrustikken sikrer arbeidsemnet. Tynne materialer har en tendens til å gi etter. Støtt arbeidsstykket i hele lengden for å unngå at bladet kommer i klem og at det oppstår TILBAKESLAG.

► **Fig.48:** 1. Støtte 2. Dreiefot

Føringsflater

⚠️ ADVARSEL: Forsikre deg om at den øvre anleggsflaten er ordentlig festet før du bruker verktøyet.

⚠️ ADVARSEL: Før du starter med gjæringssaging må du passe på at ingen deler av verktøyet, særlig sagbladet, på noe som helst tidspunkt berører de øvre eller nedre anleggsflatene når hendelen heves/senkes og sleden beveges i hele arbeidslengden. Hvis verktøyet eller bladet kommer i kontakt med gjerdet, kan det føre til tilbakeslag eller uventet bevegelse av materialet og alvorlig personskade.

Bruk øvre anleggsflater for å støtte materialet høyere enn de nedre anleggsflatene. Sett den øvre anleggsflaten inn i hullet på den nedre anleggsflaten, og stram klemmeskruen.

► **Fig.49:** 1. Øvre anleggsflate 2. Nedre anleggsflate
3. Klemmeskrue 4. Justeringsskrue

OBS: De nedre anleggsflatene er festet til foten ved fabrikken. Ikke fjern de nedre anleggsflatene.

OBS: Hvis den øvre anleggsflaten fortsatt er løs etter at du har strammet klemmeskruen, dreier du justeringsskruen for å lukke sprekken. Justeringsskruen er justert ved fabrikken. Du trenger ikke å bruke den uten at det er behov for det.

Du kan oppbevare den øvre anleggsflaten i holderen når den ikke er i bruk. Bruk klemmen på den øvre anleggsflaten til å holde den på holderen.

► **Fig.50:** 1. Holder 2. Øvre anleggsflate 3. Klemme

Vertikal skrustikke

⚠️ ADVARSEL: Arbeidsstykket må sikres godt mot dreiefoten og føringsflatene med skrustikken under alle typer bruk. Hvis arbeidsstykket ikke er godt festet mot anleggsflatene, kan materialet bevege seg under saging. Dette kan gi skader på sirkelsagbladet, samt medføre at materialet slynges ut og du mister kontroll. Resultatet kan bli alvorlige personskader.

Den vertikale skrustikken kan monteres på venstre eller høyre side av foten. Sett skrustikkestangen inn i hullet i foten.

► **Fig.51:** 1. Vertikal skrustikke 2. Hull til vertikal skrustikke 3. Fot

► **Fig.52:** 1. Skrustikkearm 2. Skrustikkestang
3. Klemmeskrue 4. Skrustikkeknott

Plasser skrustikkearmen i samsvar med tykkelsen og formen på arbeidsstykket, og fest skrustikkearmen ved å stramme skruen. Hvis klemmeskruen berører sleden, må du montere den vertikale skrustikken på motsatt side av foten. Forviss deg om at ingen deler av verktøyet er i berøring med skrustikken når du senker håndtaket helt ned. Hvis noen deler berører skrustikken, må du flytte den.

Trykk arbeidsstykket mot føringsflaten og dreiefoten. Plasser arbeidsstykket i ønsket skjæreposisjon og sikre det godt ved å stramme skrustikkeknotten.

MERK: For å feste arbeidsstykket raskt, kan du dreie skrustikkeknotten 90° mot klokken slik at skrustikkeknotten kan beveges opp og ned. For å sikre arbeidsstykket etter at det er satt inn, må du dreie skrustikkeknotten med klokken.

Horisontal skrustikke

Valgfritt tilbehør

⚠️ ADVARSEL: Mutteren på skrustikken skal alltid skrues med klokken inntil arbeidsstykket sitter godt fast. Hvis arbeidsstykket ikke er sikret godt, kan materialet bevege seg under saging. Dette kan gi skader på sirkelsagbladet, samt medføre at materialet kastes og du mister kontroll over arbeidsstykket/verktøyet. Resultatet kan bli alvorlige personskader.

⚠️ ADVARSEL: Når du sager et tynt arbeidsstykke, for eksempel basisbord, mot anleggsflaten, må du alltid bruke den horisontale skrustikken.

⚠️FORSIKTIG: Når du skjærer et arbeidsstykke med en tykkelse på 20 mm eller tynnere, må du bruke en avstandskloss når du fester arbeidsstykket.

Den vannrette skrustikken kan monteres på venstre eller høyre side av foten. Når du utfører gjæringssaging på 22,5° eller mer, må den vannrette skrustikken monteres på motsatt side i forhold til retningen dreiefoten dreies.

► **Fig.53:** 1. Skrustikkeplate 2. Skrustikkemutter 3. Skrustikkeknott

Når du rykker skrustikkemutteren mot klokken, blir skrustikken sluppet opp og beveger seg raskt inn og ut. For å gripe arbeidsstykket skyver du først skrustikkeknotten fremover inntil skrustikkeplaten berører arbeidsstykket. Deretter dreier du skrustikkeknotten med klokken for å sikre arbeidsstykket.

MERK: Maksimal bredde på et arbeidsstykke som kan sikres med den horisontale skrustikken er 228 mm.

Holdere

⚠️ADVARSEL: Et langt arbeidsstykke må alltid støttes opp slik at det blir plant med den øvre overflaten av dreiefoten. Dette for å sage nøyaktig og unngå at du mister kontrollen over verktøyet. Når arbeidsstykket er godt støttet, er det mindre risiko for farlige tilbakeslag og at bladet kommer i klem.

⚠️ADVARSEL: Før saging påbegynnes, må du alltid sikre at holderne er sikret med skruene.

Holderne er plassert på begge sider av verktøyet for å holde lange arbeidsstykker horisontalt. Løsne skruene, og trekk ut holderne til riktig lengde for å holde arbeidsstykket. Stram deretter skruen på bladet.

► **Fig.54:** 1. Holder 2. Skruer

Når du skjærer, må du legge arbeidsstykket flatt mot føringsflaten.

► **Fig.55:** 1. Føringsflate 2. Holder

Underfot

Valgfritt tilbehør

⚠️ADVARSEL: Et langt arbeidsstykke må alltid støttes opp slik at det blir plant med den øvre overflaten av dreiefoten. Dette for å sage nøyaktig og unngå at du mister kontrollen over verktøyet. Når arbeidsstykket er godt støttet, er det mindre risiko for farlige tilbakeslag og at bladet kommer i klem.

⚠️ADVARSEL: Før saging påbegynnes, må du alltid sikre at en underfot er festet med skruen.

MERK: Du finner detaljer om installasjon i instruksjonene som følger med ekstrautstyret underfot.

Monter ekstrautstyret underfot i foten for å holde lange arbeidsstykker bedre på plass. Løsne skruen, og forleng underfoten til riktig lengde for å holde arbeidsstykket. Trekk deretter til skruen.

► **Fig.56:** 1. Underfot 2. Skruer

Når du skjærer, plasser arbeidsstykket flatt mot føringsflaten og tilleggsanlegget på underfoten.

► **Fig.57:** 1. Føringsflate 2. Tilleggsanlegg 3. Underfot

Justere tilleggsanlegg

Juster tilleggsanlegget på underfoten hvis det ikke er rettet inn med føringsflaten.

1. Bruk sekskantnøkkelen for å løsne boltene som fester tilleggsanlegget.
2. Plasser en rett, stiv stang, som en vinkelhake i stål, flatt mot føringsflatene.
3. Mens stangen ligger flatt mot føringsflaten, plasseres tilleggsanlegget på nytt slik at flaten ligger flatt mot stangen. Deretter strammer du boltene.

► **Fig.58:** 1. Bolt 2. Tilleggsanlegg 3. Føringsflate 4. Stiv stang

BRUK

Dette verktøyet er beregnet til saging av treprodukter. Med riktig, originalt sagblad fra Makita kan også følgende materialer sages:

— Aluminiumsprodukter

Se på nettstedet vårt eller kontakt den lokale Makita-forhandleren for riktige sirkelsagblad til materialet som skal skjæres.

⚠️ADVARSEL: Forviss deg om at sagbladet ikke er i kontakt med arbeidsstykket, osv. før startbryteren slås på. Hvis verktøyet slås på mens bladet er i kontakt med arbeidsstykket, kan dette føre til tilbakeslag og alvorlige personskader.

⚠️ADVARSEL: Når du er ferdig med å sage, må du ikke løfte sagbladet før det har stanset helt. Hvis du løfter et blad som ruller, risikerer du alvorlige skader både på deg selv og arbeidsstykket.

⚠️ADVARSEL: Ikke utfør noen justeringer, som å dreie håndtak, knott og spaker på verktøyet, mens sagbladet roterer. Justering mens bladet roterer kan føre til alvorlige personskader.

OBS: Pass på å frigjøre anslagsstiften og løsne hendelen fra senket stilling før bruk.

OBS: Ikke legg stort trykk på hendelen når du sager. For mye kraft kan føre til at motoren overbelastes og/eller at sageeffekten reduseres. Skyv ned hendelen med den kraften som trengs for jevn saging og uten merkbar reduksjon i bladets hastighet.

OBS: Trykk hendelen forsiktig ned for å gjenomføre kuttet. Hvis håndtaket trykkes ned med makt eller det brukes sidekraft, kan bladet vibrere og lage et merke (sagmerke) i arbeidsemnet. Dette kan ødelegge presisjonen i kuttet.

OBS: Når du bruker uttrekksfunksjonen, må du skyve sleden forsiktig mot føringsflaten uten å stoppe. Hvis sledebevegelsen stopper under saging, etterlates det et merke i arbeidsstykket, og presisjonen i kuttet ødelegges.

Trykksaging

⚠ ADVARSEL: Låse alltid sledens glidebevegelse når du skal utføre pressaging. Hvis du sager uten lås, kan det oppstå farlige tilbakeslag.

Arbeidsstykker som er opptil 68 mm høye og 160 mm brede kan sages på følgende måte.

► Fig.59: 1. Anslagsstift

1. Skyv sleden mot føringsflaten til den stopper, og lås den med anslagsstiften.
2. Fest arbeidsstykket godt ved hjelp av den angitte skrustikken.
3. Slå på verktøyet uten at sirkelsagbladet er i kontakt med noe, og vent til sirkelsagbladet oppnår full hastighet før du senker det.
4. Senk håndtaket forsiktig til nederste stilling for å kappe arbeidsstykket.
5. Når snittet er gjort, må du slå av verktøyet og vente til sirkelsagbladet har stoppet helt før du setter sirkelsagbladet tilbake i helt oppreist stilling.

Skyvesaging (sage brede arbeidsstykker)

⚠ ADVARSEL: Når du bruker uttrekksfunksjonen for å kappe et arbeidsstykke, må du først trekke vognen helt til deg og trykke håndtaket helt ned. Deretter skyver du vognen mot føringsvernet. Vognen skal alltid være trukket helt mot deg før du begynner å sage. Hvis du bruker uttrekksfunksjonen for å kappe et arbeidsstykke og vognen ikke er trukket helt mot deg, kan det oppstå farlige tilbakeslag (kickback).

⚠ ADVARSEL: Aldri forsøk å dra vognen mot deg før du bruker uttrekksfunksjonen for å kappe et arbeidsstykke. Hvis du trekker vognen mot deg mens du sager, kan det oppstå uventede tilbakeslag (kickback) som kan gi alvorlige personskader.

⚠ ADVARSEL: Aldri bruk uttrekksfunksjonen for å kappe et arbeidsstykke når håndtaket er låst i senket stilling.

► Fig.60: 1. Anslagsstift

1. Frigjør anslagsstiften slik at sleden kan bevege seg fritt.
2. Fest arbeidsstykket godt ved hjelp av den angitte skrustikken.
3. Trekk vognen helt mot deg.
4. Slå på verktøyet uten at sagbladet er i kontakt med noe, og vent til bladet oppnår full hastighet.
5. Trykk ned håndtaket og skyv vognen mot føringsvernet og gjennom arbeidstrykket.
6. Når snittet er gjort, må du slå av maskinen og vente til sagbladet har stoppet helt før du setter bladet tilbake i helt oppreist stilling.

Gjærsaging

Se i avsnittet om justering av gjæringsvinkelen.

Skråskjæring

⚠ ADVARSEL: Når bladet er stilt inn for skråskjæring, må du forsikre deg om at sleden og sagbladet kan bevege seg fritt under hele sagingen før du bruker verktøyet. Hvis sleden eller bladet blir hindret under sagingen, kan det oppstå tilbakeslag som kan gi alvorlige personskader.

⚠ ADVARSEL: Når du utfører skråskjæring må du passe på å holde hendene borte fra sagbladets bane. Vær oppmerksom på at bladvinkelen kan gi et feilaktig inntrykk av sagbladets faktiske bane. Kontakt med sagbladet vil gi alvorlige personskader.

⚠ ADVARSEL: Sagbladet må ikke heves før det har stoppet helt. Ved skråskjæring kan det skje at det avkappede arbeidsstykket hviler mot sagbladet. Hvis bladet er hevet mens det fremdeles roterer, kan det kaste ut den avkappede biten. Dette kan føre til at materialet fliser seg opp, og gi alvorlige personskader.

OBS: Når du trykker ned hendelen, må du trykke parallelt med bladet. Hvis du trykker i vertikal retning for dreiefoten, eller endrer trykkretningen mens du sager, vil snittet bli mindre presist.

► Fig.61

1. Fjern den øvre anleggsflaten på siden som du har tenkt å vippe sleden.
2. Frigjør anslagsstiften.
3. Juster skjæringsvinkelen i henhold til prosedyren som beskrives i avsnittet om justering av skjæringsvinkelen. Stram deretter knotten.
4. Fest arbeidsstykket med en skrustikke.
5. Trekk vognen helt mot deg.
6. Slå på sagen uten at bladet er i kontakt med noe, og vent til bladet oppnår full hastighet.
7. Senk hendelen forsiktig til helt senket posisjon mens du utøver trykk parallelt med bladet, og skyv sleden mot føringsflaten for å sage arbeidsemetet.
8. Når snittet er laget, må du slå av maskinen og vente til bladet har stoppet helt før du setter bladet tilbake i helt oppreist stilling.

Lamellsaging

Lamellsaging er prosessen hvor en skråvinkel lages samtidig som en gjæringsvinkel sages på et arbeids-emne. Kombinasjonssaging kan utføres i vinkelen som er angitt i tabellen.

Gjæringsvinkel	Skjæringsvinkel
Venstre og høyre 0° – 45°	Venstre og høyre 0° – 45°

Når du utfører lamellsaging, finner du forklaringer i avsnittet om trykksaging, skyvesaging, gjærsaging og skråskjæring.

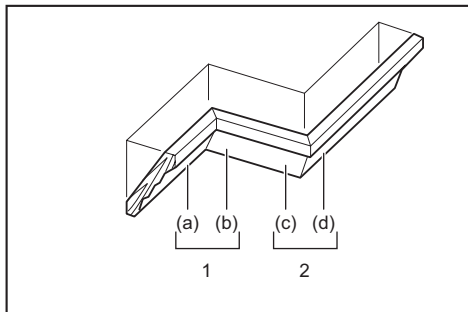
Sage profillister og hulkillister

Profillister og hulkillister kan sages på en gjærings-sag for kombinasjonssaging, med listene lagt flatt på dreiefoten.

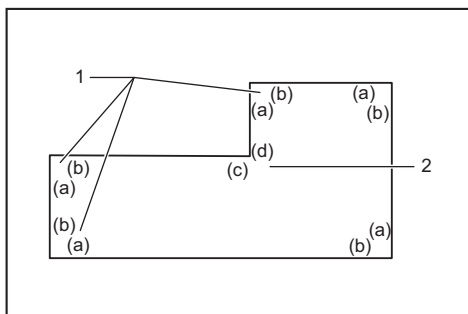
Det finnes to vanlige typer profillist og en vanlig type hulkillist; profillist med 52/38° veggvinkel, profillist med 45° veggvinkel og hulkillist med 45° veggvinkel.

► **Fig. 62:** 1. Profillist med 52/38° vinkel 2. Profillist med 45° vinkel 3. Hulkillist med 45° vinkel

Listene kan kappes til å passe til «innvendige» 90° hjørner ((a) og (b) på figuren og «utvendige» 90° hjørner ((c) og (d) på figuren).



1. Innvendig hjørne 2. Utvendig hjørne



1. Innvendig hjørne 2. Utvendig hjørne

Måling

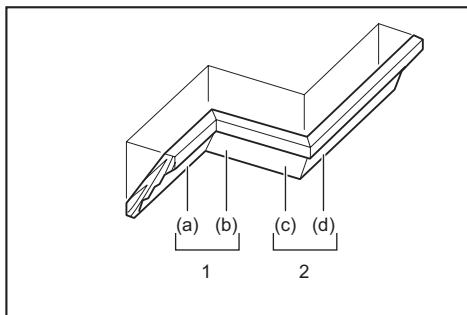
Mål veggbredden, og mål bredden til arbeidsemnet i henhold til den. Sørg for at kontaktflaten mot veggen er den samme som vegg lengde.

► **Fig. 63:** 1. Arbeidsemne 2. Veggbredde 3. Bredden på arbeidsemne 4. Kontaktflate mot vegg

Bruk alltid flere biter til testkapping for å kontrollere snittvinklene.

Når du sager profillister og hulkillister må du stille inn gjæringsvinklene i vertikalplanet og horisontalplanet som vist i tabell (A), og plassere listene på overflaten av sagfoten, som vist i tabell (B).

Venstre gjæringsnitt i vertikalplanet



1. Innvendig hjørne 2. Utvendig hjørne

Tabell (A)

-	Listposisjon i figuren	Skjæringsvinkel		Gjæringsvinkel	
		Med 52/38° vinkel	Med 45° vinkel	Med 52/38° vinkel	Med 45° vinkel
For innvendig hjørne	(a)	Venstre 33,9°	Venstre 30°	Høyre 31,6°	Høyre 35,3°
	(b)			Venstre 31,6°	Venstre 35,3°
For utvendig hjørne	(c)			Høyre 31,6°	Høyre 35,3°
	(d)				

Tabell (B)

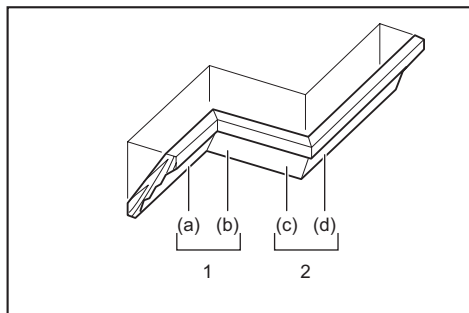
-	Listposisjon i figuren	Listkant mot føringsflate	Ferdig stykke
For innvendig hjørne	(a)	Kontaktflaten mot taket skal posisjoneres mot føringsflaten.	Det ferdige stykket vil være på venstre side av bladet.
	(b)	Kontaktflaten mot veggen skal posisjoneres mot føringsflaten.	Det ferdige stykket vil være på høyre side av bladet.
For utvendig hjørne	(c)	Kontaktflaten mot taket skal posisjoneres mot føringsflaten.	Det ferdige stykket vil være på høyre side av bladet.
	(d)	Kontaktflaten mot taket skal posisjoneres mot føringsflaten.	Det ferdige stykket vil være på høyre side av bladet.

Eksempel:

Ved saging av profillist med 52/38° vinkel for posisjon (a) på figuren:

- Vipp og fest innstillingen for gjæring i vertikalplanet på 33,9° VENSTRE.
- Juster og fest innstillingen for gjæring i horisontalplanet på 31,6° HØYRE.
- Legg profillisten med dens brede baksideoverflate (skjult) ned på dreiefoten, med KONTAKTFLATEN MOT TAKET mot føringsvernet til sagen.
- Det ferdige stykket som skal brukes, vil alltid befinne seg til VENSTRE for bladet etter at snittet er utført.

Høyre skråkjæring i vertikalplanet



1. Innvendig hjørne 2. Utvendig hjørne

Tabell (A)

–	Listposisjon i figuren	Skjæringsvinkel		Gjæringsvinkel	
		Med 52/38° vinkel	Med 45° vinkel	Med 52/38° vinkel	Med 45° vinkel
For innvendig hjørne	(a)	Høyre 33,9°	Høyre 30°	Høyre 31,6°	Høyre 35,3°
	(b)			Venstre 31,6°	Venstre 35,3°
For utvendig hjørne	(c)			Høyre 31,6°	Høyre 35,3°
	(d)				

Tabell (B)

–	Listposisjon i figuren	Listkant mot føringsflate	Ferdig stykke
For innvendig hjørne	(a)	Kontaktflaten mot veggen skal posisjoneres mot føringsflaten.	Det ferdige stykket vil være på høyre side av bladet.
	(b)	Kontaktflaten mot taket skal posisjoneres mot føringsflaten.	Det ferdige stykket vil være på venstre side av bladet.
For utvendig hjørne	(c)	Kontaktflaten mot veggen skal posisjoneres mot føringsflaten.	Det ferdige stykket vil være på høyre side av bladet.
	(d)	Kontaktflaten mot taket skal posisjoneres mot føringsflaten.	Det ferdige stykket vil være på venstre side av bladet.

Eksempel:

Ved saging av profillist med 52/38° vinkel for posisjon (a) på figuren:

- Vipp og fest innstillingen for skråvinkel på 33,9° HØYRE.
- Juster og fest innstillingen for gjæring i horisontalplanet på 31,6° HØYRE.
- Legg profillisten med den brede baksideoverflate (skjult) ned på dreiefoten, med KONTAKTFLATEN MOT VEGGEN mot føringsflaten på sagen.
- Det ferdige stykket som skal brukes, vil alltid befinne seg til VENSTRE for bladet etter at snittet er utført.

Profilliststopper

Valgfritt tilbehør

Profilliststopperne gjør det enklere å sage profillister uten å måtte vippe sagbladet. Monter dem på dreiefoten som vist i figurene.

Ved høyre 45° gjæringsvinkel i horisontalplanet

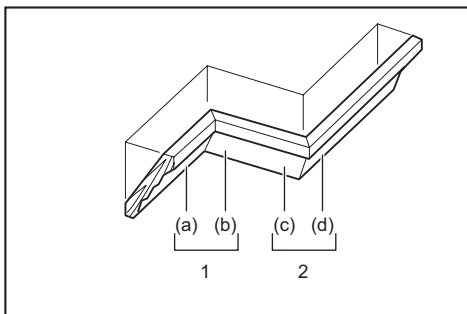
► **Fig.64:** 1. Profilliststopper V 2. Profilliststopper H 3. Dreiefot 4. Føringsflate

Ved venstre 45° gjæringsvinkel i horisontalplanet

► **Fig.65:** 1. Profilliststopper V 2. Profilliststopper H 3. Dreiefot 4. Føringsflate

Plasser profillisten med KONTAKTFLATEN MOT VEGGEN mot føringsflaten og KONTAKTFLATEN MOT TAKET mot profilliststopperne som vist i figuren. Juster profilliststopperne i henhold til profillistens mål. Stram skruene for å feste profilliststopperne. Se tabellen (C) for å finne den horisontale gjæringsvinkelen.

► **Fig.66:** 1. Føringsflate 2. Profilliststopper



1. Innvendig hjørne 2. Utvendig hjørne

Tabell (C)

–	Listposisjon i figuren	Gjæringsvinkel	Ferdig stykke
For innvendig hjørne	(a)	Høyre 45°	Det på høyre side av bladet
	(b)	Venstre 45°	Det på venstre side av bladet
For utvendig hjørne	(c)		Det på høyre side av bladet
	(d)	Høyre 45°	Det på venstre side av bladet

Sage aluminiumsekstrudering

► **Fig.67:** 1. Skrustikke 2. Avstandskloss 3. Føringsflate 4. Aluminiumsekstruderingen 5. Avstandskloss

Når du sikrer aluminiumsekstruderinger, må du bruke avstandsklosser eller biter av kapp, som vist i figuren, for å forhindre at aluminiumen deformeres. Bruk en skjærevæske når du sager aluminiumsekstruderingen for å forhindre at det legger seg aluminiumsstøv på sirkelsagbladet.

⚠ ADVARSEL: Prøv aldri å sage tykke eller runde aluminiumsprofiler. Tykke eller runde aluminiumsprofiler kan være vanskelige å feste tilstrekkelig, og arbeidsstykket kan løsne når du sager. Dette kan føre til at du mister kontrollen over arbeidsstykket/verktøyet og påføres alvorlige skader.

Sporsaging

⚠ ADVARSEL: Ikke forsøk å utføre denne typen kutt ved hjelp av en bredere bladtype eller et falseblad. Hvis du forsøker å skjære riller ved hjelp av et bredere blad eller falseblad, kan sageresultatene bli dårlige og det kan oppstå farlige tilbakeslag (kickback).

⚠ ADVARSEL: Sett stopperarmen tilbake til utgangsposisjon når du utfører noe annet enn sporsaging. Hvis du forsøker å sage når stopperarmen står i feil posisjon, kan sageresultatene bli dårlige og det kan oppstå farlige tilbakeslag (kickback).

For dadokutt må du gjøre følgende:

1. Juster den nedre grenseposisjonen på sirkelsagbladet med justeringsskruen og stopperarmen for å begrense skjæredybden til sirkelsagbladet. Se avsnittet om stopperarmen.

2. Når du har justert sirkelsagbladets nedre grenseposisjon, kutter du parallelle riller på tvers over arbeidsstykket med uttrekksfunksjonen.

► **Fig.68:** 1. Skjær riller med blad

3. Bruk et huggjern for å fjerne arbeidsstykkematerialet mellom rillene.

Bærbart verktøy

Før du flytter på verktøyet, pass på at batteriet er tatt ut og at alle bevegelige deler på gjæringsagen er sikret. Kontroller alltid følgende:

- Batteriet er tatt ut.
- Sleden står i skråvinkelstilling 0° og er sikret.
- Sleden er senket og låst.
- Vognen er skjøvet helt inntil føringsflatene og låst.
- Dreiefoten er helt i høyre skråvinkelstilling og sikret.
- Holderne er lagt bort og sikret.

Bær verktøyet ved å holde begge sidene på verktøyfoten.

► **Fig.69**

⚠ ADVARSEL: Anslagsstiften for bæring er kun for bæring og oppbevaring, og ikke for saging. Hvis du bruker anslagsstiften når du sager, kan sirkelsagbladet gjøre uventede bevegelser. Dette kan forårsake tilbakeslag som kan gi alvorlige personskader.

⚠ FORSIKTIG: Du må alltid sikre alle bevegelige deler før du bærer verktøyet. Hvis deler av verktøyet kommer i bevegelse eller begynner å gli under flyttingen, kan verktøyet komme i ubalanse og føre til personskader.

⚠ FORSIKTIG: Pass på at høyden på sleden er sikkert låst på bunnen av anslagsstiften. Hvis anslagsstiften ikke er riktig i inngrep kan sleden plutselig sprette opp og forårsake en personskade.

TRÅDLØSAKTIVERINGSFUNKSJON

Hva du kan gjøre med trådløsaaktiveringsfunksjonen

Trådløsaaktiveringsfunksjonen muliggjør ren og behagelig bruk. Hvis du kobler en støttet støvsuger til verktøyet, kan du bruke støvsugeren automatisk sammen med verktøyet bryterfunksjon.

► **Fig.70**

Hvis du vil bruke trådløsaaktiveringsfunksjonen, må du klargjøre følgende elementer:

- En trådløs enhet (valgfritt tilbehør)
- En støvsuger som støtter trådløsaaktiveringsfunksjonen

Oversikten over innstillingen for trådløsaaktiveringsfunksjonen er som følger. Du finner detaljerte fremgangsmåter i hver enkelt del.

1. Installere den trådløse enheten
2. Verktøyregistrering for støvsugeren
3. Starte trådløsaaktiveringsfunksjonen

Installere den trådløse enheten

Valgfritt tilbehør

⚠ FORSIKTIG: Plasser verktøyet på et flatt og stabilt underlag når du skal installere den trådløse enheten.

OBS: Fjern støv og smuss på verktøyet før du installerer den trådløse enheten. Støv eller smuss kan føre til funksjonsfeil hvis det trenger inn i den trådløse enhetens spor.

OBS: For å unngå funksjonsfeil som følge av statisk elektrisitet, berører du et statisk utladningsmateriale, som en av verktøyet metalldele, før du tar i den trådløse enheten.

OBS: Når du installerer den trådløse enheten, må du passe på at den trådløse enheten settes inn i riktig rettet og at lokket lukkes helt igjen.

1. Åpne lokket på verktøyet som vist i figuren.
► **Fig.71:** 1. Løkk
2. Sett den trådløse enheten inn i sporet, og lukk lokket.

Når du setter inn den trådløse enheten, innretter du fremspringene med de utsparte delene på sporet.

► **Fig.72:** 1. Trådløs enhet 2. Fremspring 3. Løkk 4. Utspart del

Når du fjerner den trådløse enheten, må du åpne lokket sakte. Krokene på baksiden av lokket vil løfte den trådløse enheten når du drar i lokket.

► **Fig.73:** 1. Trådløs enhet 2. Krok 3. Løkk

Etter at du har fjernet den trådløse enheten, oppbevares den i esken som følger med eller en beholder som ikke er statisk.

OBS: Du må alltid bruke krokene på baksiden av lokket når du fjerner den trådløse enheten. Hvis krokene ikke hekter seg fast i den trådløse enheten, lukker du lokket helt og åpner det sakte på nytt.

Verktøyregistrering for støvsugeren

MERK: En Makita-støvsuger som støtter trådløsaaktiveringsfunksjonen er nødvendig for verktøyregistrering.

MERK: Fullfør installasjonen av den trådløse enheten i verktøyet før du starter verktøyregistreringen.

MERK: Unngå å slå på følgende brytere under verktøysregistrering:

- startbryteren på verktøyet
- vakuumbryteren på verktøyet
- startbryteren på støvsugeren

MERK: Les i tillegg brukerveiledningen for støvsugeren.

Hvis du ønsker å aktivere støvsugeren sammen med verktøyet bryterfunksjon, må du fullføre verktøyregistreringen på forhånd.

1. Sett batteriene i støvsugeren og verktøyet.
2. Still ventebryteren på støvsugeren på "AUTO".

► **Fig.74:** 1. Ventebryter

3. Trykk på trådløsaaktiveringsknappen på støvsugeren i 3 sekunder til trådløsaaktiveringslampen blinker grønt. Deretter trykker du på trådløsaaktiveringsknappen på verktøyet på samme måte.

► **Fig.75:** 1. Trådløsaaktiveringsknapp
2. Trådløsaaktiveringslampe

Hvis koblingen av støvsugeren og verktøyet lykkes, vil trådløsaaktiveringslampene lyse grønt i 2 sekunder og begynner å blinke blått.

MERK: Trådløsaaktiveringslampene slutter å blinke grønt når det har gått 20 sekunder. Trykk på trådløsaaktiveringsfunksjonen på verktøyet mens trådløsaaktiveringslampen på støvsugeren blinker. Hvis trådløsaaktiveringslampen ikke blinker grønt, trykker du på trådløsaaktiveringsknappen et kort øyeblikk og holder den inne igjen.

MERK: Når du utfører to eller flere verktøyregistreringer for én støvsuger, fullfører du verktøyregistreringen etter en.

Starte trådløsaaktiveringsfunksjonen

MERK: Fullfør verktøyregistreringen for støvsugeren før trådløsaaktivering.

MERK: Les i tillegg brukerveiledningen for støvsugeren.

Etter at et verktøy er registrert til støvsugeren, vil støvsugeren automatisk svive sammen med verktøyet bryterfunksjon. Trekk startbryteren på verktøyet for å igangsette støvsugeren under bruk. Støvsugeren kan også igangsettes ved å trykke på vakuumbryteren på verktøyet utover skjæreoperasjoner.

► **Fig.76**

1. Installer den trådløse enheten i verktøyet.
2. Koble støvsugerens slange til verktøyet.

► **Fig.77**

3. Still ventebryteren på støvsugeren på "AUTO".

► **Fig.78:** 1. Ventebryter

4. Trykk et kort øyeblikk på trådløsaaktiveringsknappen på verktøyet. Trådløsaaktiveringslampen vil blinke blått.

► **Fig.79:** 1. Trådløsaaktiveringsknapp
2. Trådløsaaktiveringslampe

5. Dra i verktøyet startbryter. Kontroller om støvsugeren sviver mens du drar i startbryteren.

6. Trykk på vakuumbryteren for å igangsette støvsugeren. Sjekk at den trådløse aktiveringslampen lyser blått og støvsugeren fortsetter å gå til du trykker på knappen igjen.

7. For å stanse støvsugeren må du enten slippe startbryteren eller trykke på vakuumbryteren igjen. Støvsugeren stanser noen sekunder etter at du har trykket på bryteren, og lampen blinker blått.

MERK: Bryterstatus (slå støvsugeren på/av) kan læres i den trådløse aktiveringslampen. Du finner nærmere informasjon i avsnittet for beskrivelse av den trådløse aktiveringslampens status.

8. Hvis du vil stanse støvsugerens trådløsaaktivering, trykker du på trådløsaaktiveringsknappen på verktøyet.

MERK: Trådløsaaktiveringslampen på verktøyet vil slutte å blinke blått når verktøyet ikke har blitt brukt på 2 timer. Da setter du i tilfelle ventebryteren på støvsugeren på "AUTO" og trykker på trådløsaaktiveringsknappen på verktøyet igjen.

MERK: Støvsugeren starter/stopper med en forsinkelse. Det er en tidsforsinkelse når støvsugeren oppdater at en bryter på verktøyet er trykket på.










MERK: Det trådløse enhetens overføringsavstand kan variere avhengig av sted og omgivelsesforhold.

MERK: Når to eller flere verktøy er registrert til én støvsuger, kan det hende at støvsugeren begynner å svive selv om du ikke drar i startbryteren eller slå på vakuumbryteren, fordi en annen bruker trådløsaaktiveringsfunksjonen.

Beskrivelse av trådløsaktiveringslampe

► Fig.80: 1. Trådløsaktiveringslampe

Trådløsaktiveringslampe viser statusen til trådløsaktiveringsfunksjonen. Du finner informasjon om lampestatusens betydning i tabellen nedenfor.

Status	Trådløsaktiveringslampe				Beskrivelse
	Farge	 På	 Blinker	Varighet	
Ventemodus	Blå			2 timer	Trådløsaktivering av støvsugeren er tilgjengelig. Lampen vil slå seg av når verktøyet ikke har blitt brukt på 2 timer.
				Når verktøyet sviver.	Trådløsaktivering av støvsugeren er tilgjengelig, og verktøyet sviver.
Verktøyregistrering	Grønn			20 sekunder	Klar for verktøyregistrering. Venter på registrering av støvsugeren.
				2 sekunder	Verktøyregistreringen er fullført. Trådløsaktiveringslampe vil begynne å blinke blått.
Avbryte verktøyregistrering	Rød			20 sekunder	Klar for å avbryte verktøyregistrering. Venter på at støvsugeren skal avbryte.
				2 sekunder	Verktøyregistreringen er avbrutt. Trådløsaktiveringslampe vil begynne å blinke blått.
Andre	Rød			3 sekunder	Den trådløse enheten forsynes med strøm, og trådløsaktiveringsfunksjonen starter opp.
	Av	-		-	Trådløsaktivering av støvsugeren stanses.

Avbryte verktøyregistrering for støvsugeren

Gå frem på følgende måte når du skal avbryte verktøyregistrering for støvsugeren.

1. Sett batteriene i støvsugeren og verktøyet.
2. Still ventebryteren på støvsugeren på "AUTO".

► Fig.81: 1. Ventebryter

3. Trykk på trådløsaktiveringsknappen på støvsugeren i 6 sekunder. Trådløsaktiveringslampe blinker grønt og blir deretter rød. Deretter trykker du på trådløsaktiveringsknappen på verktøyet på samme måte.

► Fig.82: 1. Trådløsaktiveringsknapp 2. Trådløsaktiveringslampe

Hvis avbrytingen er vellykket, vil trådløsaktiveringslampene lyse rødt i 2 sekunder og begynne å blinke blått.

MERK: Trådløsaktiveringslampene slutter å blinke rødt når det har gått 20 sekunder. Trykk på trådløsaktiveringsfunksjonen på verktøyet mens trådløsaktiveringslampe på støvsugeren blinker. Hvis trådløsaktiveringslampe ikke blinker rødt, trykker du på trådløsaktiveringsknappen et kort øyeblikk og holder den inne igjen.

Feilsøking for trådløsaktiveringsfunksjonen

Inspiser utstyret selv før du bestiller reparasjon. Ikke prøv å demontere verktøyet hvis du finner et problem som ikke er forklart i brukerveiledningen. I stedet bør du ta kontakt med et av Makitas autoriserte servicentre, som alltid bruker reservedeler fra Makita til reparasjoner.

Unormal tilstand	Sannsynlig årsak (feil)	Løsning
Trådløsaktiveringslampen tennes/ blinker ikke.	Den trådløse enheten er ikke installert i verktøyet. Den trådløse enheten er installert på feil måte i verktøyet.	Installer den trådløse enheten på riktig måte.
	Det trådløse enhetens tilkoblingspunkt og/eller spor er tilsmusset.	Tørk forsiktig bort støv og smuss på den trådløse enhetens tilkoblingspunkt, og rengjør sporet.
	Du har ikke trykket på trådløsaktiveringsknappen.	Trykk et kort øyeblikk på trådløsaktiveringsknappen på verktøyet.
	Ventebryteren på støvsugeren er ikke stilt inn på "AUTO".	Still ventebryteren på støvsugeren på "AUTO".
	Ingen strømforsyning	Sørg for at verktøyet og støvsugeren har strømforsyning.
Kan ikke fullføre verktøyregistrering/ avbryte verktøyregistrering.	Den trådløse enheten er ikke installert i verktøyet. Den trådløse enheten er installert på feil måte i verktøyet.	Installer den trådløse enheten på riktig måte.
	Det trådløse enhetens tilkoblingspunkt og/eller spor er tilsmusset.	Tørk forsiktig bort støv og smuss på den trådløse enhetens tilkoblingspunkt, og rengjør sporet.
	Ventebryteren på støvsugeren er ikke stilt inn på "AUTO".	Still ventebryteren på støvsugeren på "AUTO".
	Ingen strømforsyning	Sørg for at verktøyet og støvsugeren har strømforsyning.
	Feil bruk	Trykk på trådløsaktiveringsknappen et kort øyeblikk, og utfør verktøyregistrering/avbryting på nytt.
	Verktøyet og støvsugeren er for langt unna hverandre (utenfor overføringsområdet).	Sørg for at verktøyet og støvsugeren er nærmere hverandre. Maksimal overføringsavstand er ca. 10 m, men den kan variere avhengig av forholdene.
	Før du fullfører verktøyregistrering/avbryting: - dra i startbryteren på verktøyet, eller - støvsugerknappen på verktøyet er slått på, eller - startknappen på støvsugeren er slått på.	Trykk på trådløsaktiveringsknappen et kort øyeblikk, og utfør verktøyregistrering/avbryting på nytt.
	Verktøyregistreringen for verktøyet eller støvsugeren er ikke fullført.	Følg fremgangsmåten for verktøyregistrering for både verktøyet og støvsugeren samtidig.
	Radioforstyrrelse fra andre innretninger som genererer radiobølger med høy intensitet.	Hold verktøyet og støvsugeren borte fra innretninger som WiFi-enheter og mikrobølgeovner.
	Støvsugeren svinger ikke sammen med verktøets bryterfunksjon.	Den trådløse enheten er ikke installert i verktøyet. Den trådløse enheten er installert på feil måte i verktøyet.
Det trådløse enhetens tilkoblingspunkt og/eller spor er tilsmusset.		Tørk forsiktig bort støv og smuss på den trådløse enhetens tilkoblingspunkt, og rengjør sporet.
Du har ikke trykket på trådløsaktiveringsknappen.		Trykk på trådløsaktiveringsknappen et kort øyeblikk, og kontroller at trådløsaktiveringslampen blinker blått.
Ventebryteren på støvsugeren er ikke stilt inn på "AUTO".		Still ventebryteren på støvsugeren på "AUTO".
Mer enn 10 verktøy er registrert til støvsugeren.		Utfør verktøyregistreringen på nytt. Hvis mer enn 10 verktøy er registrert til støvsugeren, vil det først registrerte verktøyet bli fjernet automatisk.
Støvsugeren kunne ikke registrere verktøy.		Forny verktøyregistreringer.
Støvsugeren slettet alle verktøyregistreringer.		Utfør verktøyregistreringen på nytt.
Ingen strømforsyning		Sørg for at verktøyet og støvsugeren har strømforsyning.
Verktøyet og støvsugeren er for langt unna hverandre (utenfor overføringsområdet).		Sørg for at verktøyet og støvsugeren er nærmere hverandre. Maksimal overføringsavstand er ca. 10 m, men den kan variere avhengig av forholdene.
Radioforstyrrelse fra andre innretninger som genererer radiobølger med høy intensitet.		Hold verktøyet og støvsugeren borte fra innretninger som WiFi-enheter og mikrobølgeovner.
Støvsugeren kjører selv om ingen brytere for verktøyet er aktivert.	Andre brukere bruker støvsugerens trådløsaktivering med verktøyene sine. Slå av de andre verktøyenes trådløsaktiveringsknapp, eller avbryt verktøyregistrering for andre verktøy.	

VEDLIKEHOLD

⚠ ADVARSEL: Forviss deg alltid om at verktøyet er slått av og batteriet tatt ut før du foretar inspeksjon eller vedlikehold. Hvis du ikke tar ut batteriet og slår av verktøyet, kan det utilsiktet bli startet opp og føre til alvorlig personskade.

⚠ ADVARSEL: Du må alltid sørge for at sirkelsagbladet er slipt og rent for best og sikrest mulig ytelse. Hvis du forsøker å kutte med et sløvt og/eller skittent blad, kan det oppstå tilbakeslag (kickback) som kan gi alvorlige personskader.

⚠ FORSIKTIG: Beskyttelseskappen skal alltid lukkes i opprinnelig stilling før det utføres inspeksjon eller vedlikehold. Beskyttelseskappen skal aldri klemmes eller bindes i åpen stilling under rengjøring. Et eksponert blad kan føre til personskade.

OBS: Aldri bruk gasolin, bensin, tynner alkohol eller lignende. Det kan føre til misfarging, deformering eller sprekkdannelse.

For å opprettholde produktets SIKKERHET og PÅLITELIGHET, må reparasjoner, vedlikehold og justeringer utføres av autoriserte Makita servicesentre eller fabrikkservicesentre, og det må alltid brukes reservedeler fra Makita.

Justere skjærevinkelen

Denne sagen er nøye justert og tilpasset ved fabrikken, men tøff bruk kan ha påvirket tilpasningen. Hvis sagen din ikke er godt nok tilpasset, må du gjennomføre følgende:

Gjæringsvinkel

Senk håndtaket helt, og lås den i senket stilling med anslagsstiften. Skyv sleden mot føringsflaten. Drei grepet mot klokken, og klargjør dreiefoten for funksjon for fast anslag med låsespaken.

Løsne skruene som fester pekeren og gjæringsvinkelskalaen.

- **Fig.83:** 1. Grep 2. Låsespak 3. Skruer på peker 4. Skruer på gjæringsvinkelskala 5. Gjæringsvinkelskala

Sett dreiefoten i 0°-stilling ved hjelp av funksjonen for fast anslag. Bring siden på sirkelsagbladet i rett vinkel mot fronten på føringsflaten ved hjelp av en trekantlinjal eller et vinkeljern. Mens du holder den rette vinkelen, strammer du skruene på gjæringsvinkelskalaen. Deretter innretter du pekerne (både høyre og venstre) med 0°-stillingen i gjæringsvinkelskalaen, og deretter strammer du skruen på pekeren.

- **Fig.84:** 1. Trekantlinjal 2. Peger

Skjæringsvinkel

0° skjæringsvinkel

Skyv sleden mot føringsflatene, og lås glidebevegelsen med anslagsstiften. Senk sleden helt, og lås den i senket stilling med anslagsstiften. Drei knotten mot klokken, og drei justeringsbolten for 0° med to eller tre omdreininger mot klokken for å skråstille sirkelsagbladet mot høyre.

- **Fig.85:** 1. Knott 2. Justeringsbolt for 0° 3. Skruer på pekeren

Bring siden på sirkelsagbladet forsiktig i rett vinkel med oversiden av dreiefoten med en trekantlinjal, et vinkeljern e.l. ved å dreie justeringsbolten for 0° med klokken. Stram deretter knotten godt for å sikre 0°-vinkelen som du har stilt inn.

- **Fig.86:** 1. Trekantlinjal 2. Sagblad 3. Overflaten av dreiefoten

Kontroller igjen at siden på sirkelsagbladet står i rett vinkel på dreiefotens overflate. Løsne skruen på pekeren. Innrett pekeren med 0°-stilling i skråvinkelskalaen, og stram deretter skruen.

45° skjæringsvinkel

OBS: Før du justerer 45°-skråvinkelen, må du fullføre justeringen av 0°-skråvinkelen.

Løsne knotten, og vipp sleden helt til siden som du vil kontrollere. Kontroller om pekeren angir 45°-stillingen i skråvinkelskalaen.

- **Fig.87:** 1. Knott

Hvis pekeren ikke angir 45°-stillingen, innretter du den med funksjonen for 45°-stilling ved å dreie justeringsbolten på skråvinkelskalaen på motsatt side av foten.

- **Fig.88:** 1. Venstre justeringsbolt for 45° 2. Høyre justeringsbolt for 45°

Rengjøre lampelinsen

⚠ FORSIKTIG: Fjern sirkelsagbladet før du rengjør lampelinsen.

OBS: Ikke fjern skruen som holder linsen på plass. Hvis du ikke klarer å få ut linsen, løsner du skruen litt mer.

OBS: Bruk en tørr klut til å tørke støv, osv. av lampelinsen. Vær forsiktig så det ikke blir riper i lampelinsen, da dette kan redusere lysstyrken.

OBS: Ikke bruk løsemidler eller petroleumbaserte rengjøringsmidler på linsen.

Det blir vanskelig å se LED-lampen etter hvert som lampen blir tilsmusset. Linsen skal rengjøres med jevne mellomrom.

Ta ut batteriet. Løsne skruen, og dra ut linsen. Rengjør linsen forsiktig med en fuktig, myk klut.

- **Fig.89:** 1. Skruer 2. Linse

Etter bruk

Etter bruk, må du tørke av fliser og støv som kleber til sagen med en klut eller lignende. Hold bladvernet rene i henhold til instruksjonene i avsnittet «Bladvern». Smør glidedelene med maskinolje for å hindre at maskinen rustner.

VALGFRITT TILBEHØR

⚠ ADVARSEL: Det anbefales at du bruker dette Makita-tilbehøret sammen med Makita-verktøyet som er spesifisert i denne håndboken. Hvis du bruker andre typer tilleggsutstyr eller tilbehør, kan det oppstå alvorlige personskader.

⚠ ADVARSEL: Makita-tilleggsutstyret og -tilbehøret skal kun brukes til det formålet det er beregnet for. Hvis tilleggsutstyret eller tilbehøret brukes på en annen måte eller til andre formål enn det som er angitt, kan det oppstå alvorlige personskader.

Ta kontakt med ditt lokale Makita-servicesenter hvis du trenger mer informasjon om dette tilbehøret.

- Sagblad med karbidspisser
- Vertikal skrustikke
- Horisontal skrustikke
- Profilliststoppersett
- Støvpose
- Trekantlinjal
- Sekskantnøkkel
- Trådløs enhet
- Stativsett
- Underfot
- Makita originalbatteri og lader

MERK: Enkelte elementer i listen kan være inkludert som standardtilbehør i verktøypakken. Elementene kan variere fra land til land.

TEKNISET TIEDOT

Malli:		LS004G
Terän halkaisija	Euroopan maille	260 mm
	Euroopan ulkopuolisille maille	255 mm – 260 mm
Reiän halkaisija	Euroopan maille	30 mm
	Euroopan ulkopuolisille maille (maakohtainen)	15,88 mm / 25,4 mm / 30 mm
Sahanterän hampaan maksimipaksuus		3,2 mm
Suurin jiirauskulma		Oikea 60°, vasen 60°
Suurin viistekulma		Oikea 48°, vasen 48°
Kuormittamaton kierrosnopeus (RPM)		3 600 min ⁻¹
Mitat (P x L x K)		805 mm x 644 mm x 660 mm
Nimellisjännite		DC 36 V – 40 V maks.
Nettopaino		26,6–27,2 kg

Sahauskapasiteetit (K x L)

Jiirikulma	Kallistuskulma		
	45° (vasen)	0°	45° (oikea)
0°	42 mm x 310 mm 58 mm x 279 mm	68 mm x 310 mm 91 mm x 279 mm	29 mm x 310 mm 43 mm x 279 mm
45° (oikea ja vasen)	42 mm x 218 mm 58 mm x 197 mm	68 mm x 218 mm 91 mm x 197 mm	29 mm x 218 mm 43 mm x 197 mm
60° (oikea ja vasen)	-	68 mm x 155 mm 91 mm x 139 mm	-

Sahauskapasiteetit erikoisleikkauksille

Sahaustyyppi	Sahauskapasiteetti
Reunalista, 45° (käytettäessä reunalistarajoitinta)	168 mm
Jalkalista (käytettäessä vaakapuristinta)	133 mm

- Jatkuvasta tutkimus- ja kehitystyöstämme johtuen esitetyt tekniset tiedot saattavat muuttua ilman erillistä ilmoitusta.
- Tekniset tiedot voivat vaihdella maittain.
- Paino voi olla erilainen lisävarusteista sekä akusta johtuen. EPTA-menettelytavan 01/2014 mukaisesti, taulukossa on kuvattu kevyin ja painavin laiteyhdistelmä.

Käytettävä akkupaketti ja laturi

Akkupaketti	BL4020 / BL4025 / BL4040* / BL4050F* *: Suositeltu akku
Laturi	DC40RA / DC40RB / DC40RC

- Tiettyjä yläpuolella kuvattuja akkuja ja latureita ei ehkä ole saatavana asuinalueestasi johtuen.

VAROITUS: Käytä vain edellä eriteltyjä akkupaketteja ja latureita. Muiden akkupakettien ja laturien käyttäminen voi aiheuttaa loukkaantumisen ja/tai tulipalon.

Symbolit

Laitteessa on mahdollisesti käytetty seuraavia symboleja. Opettele niiden merkitys ennen käyttöä.



Lue käyttöohje.



Käytä suojalaseja.



Pidä sahan pää sahuksen jälkeen alhaalla, kunnes saha on kokonaan pysähtynyt. Näin vältät lentävien roskien aiheuttaman loukkaantumisen.



Kun suoritetaan viistesahausta, käännä nuppia vastapäivään ja kallista sitten kuljetinta. Kiristä sitten kääntämällä nuppia myötäpäivään.



Kun suoritetaan liukuleikkaus, vedä ensin kuljetin täysin ulos ja paina kahva alas, työnnä sitten kuljetinta sahausvasteen suuntaan.



Pidä vapautuspainiketta painettuna ja kallista kuljetinta oikealle.



Kytke pysäytinvipu, kun jalkalistaa sahaan 45° asteen jirikulmassa.



Älä laita käsiä tai sormia terän lähelle.



Älä katso suoraan päällä olevaan valoon.



A: Terän halkaisija
B: Reiän halkaisija



Älä asenna vaakapuristinta jirileikkauksen suuntaisesti. (Tämä symboli on vaakapuristimessa.)



Koskee vain EU-maita
Käytetyillä sähkö- ja elektroniikkalaitteilla, paristoilla ja akuilla voi olla negatiivisia ympäristö- ja terveysvaikutuksia niissä käytettyjen haitallisten osien takia.
Älä hävitä sähkö- ja elektroniikkalaitteita tai akkuja kotitalousjätteen mukana!
Vanhoja sähkö- ja elektroniikkalaitteita, paristoja ja akkuja koskevan EU-direktiivin ja sen perusteella laadittujen kansallisten lakien mukaan käytetyt sähkö- ja elektroniikkalaitteet, paristot ja akut on kierrätettävä toimittamalla ne erilliseen, ympäristönsuojelusääntöjen mukaisesti toimivaan kierrätyspisteeseen.
Tämä on ilmaistu laitteessa olevalla ylivedetyn roska-astian symbolilla.

Käyttötarkoitus

Työkalu on tarkoitettu puun tarkkaan suoraan sahausseen ja jiirisahaukseen.

Älä sahaa muuta kuin puuta, alumiinia tai vastaavia materiaaleja.

Melutaso

Tyypillinen A-painotettu melutaso määrytyy standardin EN62841-3-9 mukaan:

Äänenpainetaso (L_{pA}): 91 dB (A)

Äänen voiman taso (L_{WA}): 100 dB (A)

Virhemarginaali (K): 3 dB (A)

HUOMAA: Ilmoitetut melutasoarvot on mitattu standarditestausten menetelmän mukaisesti ja niiden avulla voidaan vertailla työkaluja keskenään.

HUOMAA: Ilmoitettuja melutasoarvoja voidaan käyttää myös altistumisen alustavaan arviointiin.

VAROITUS: Käytä kuulosuojaimia.

VAROITUS: Sähkötyökalun käytön aikana mitattu melutasoarvo voi poiketa ilmoitetuista arvoista laitteen käyttötavan ja erityisesti käsiteltävän työkappaleen mukaan.

VAROITUS: Selvitä käyttäjän suojaamiseksi tarvittavat varoimet todellisissa käyttöolosuhteissa tapahtuvan arvioidun altistumisen mukaisesti (ottaen huomioon käyttäjäksi kokonaisuudessaan, myös jaksot, joiden aikana laite on sammutettuna tai käy tyhjäkäynnillä).

EY-vaatimustenmukaisuusvakuutus

Koskee vain Euroopan maita

EY-vaatimustenmukaisuusvakuutus on liitetty tähän käyttöoppaaseen.

TURVAVAROITUKSET

Sähkötyökalujen käyttöä koskevat yleiset varoitukset

VAROITUS: Tutustu kaikkiin tämän sähkötyökalun mukana toimitettuihin varoituksiin, ohjeisiin, kuviin ja teknisiin tietoihin. Seuraavassa lueteltujen ohjeiden noudattamatta jättäminen saattaa johtaa sähköiskuun, tulipaloon tai vakavaan vammautumiseen.

Säilytä varoitukset ja ohjeet tulevaa käyttöä varten.

Varoituksissa käytettävällä termillä "sähkötyökalu" tarkoitetaan joko verkkovirtaa käyttävää (johdollista) työkalua tai akkukäyttöistä (johdotonta) työkalua.

Jiirisahaaja koskevat turvallisuusohjeet

- Jiirisahat ovat tarkoitettu puun ja puutuotteiden sahausseen. Niitä ei voi käyttää katkaisuhiomalaikkojen kanssa rautamateriaalien sahausseen, kuten varret, tangot, karat jne.** Hiomapöly aiheuttaa liikkuvien osien, kuten alasuojuksen jumittumisen. Katkaisusta muodostuvat kipinät polttavat alasuojuksen, itse sahanterän hampaan sekä muita muoviosia.

2. **Kiinnitä työkappale paikalleen puristimia käyttämällä aina, kun se on mahdollista. Jos työkappaletta tuetaan käsin, pidä kätesi aina vähintään 100 mm etäisyydellä sahanterän sivuilta. Älä käytä tätä laitetta liian pienien kappaleiden sahaukseen, joita ei voi kiinnittää luotettavasti paikalleen tai pitää käsin kiinni.** Jos kätesi on liian lähellä sahanterää, teräkosketuksesta aiheutuva tapaturmariski kasvaa.
3. **Työkappaleen täytyy olla paikallaan ja kiinnitettyinä, tai pidettynä kiinni sekä ohjauskiskoa ja pöytää vasten. Älä syötä työkappaletta terälle tai suorita sahausta "vapaalla kädellä" missään tilanteessa.** Lukitsemattomat tai liikkuvat työkappaleet voivat sinkoutua käyttäjää kohti suurella nopeudella aiheuttaen henkilövahinkoja.
4. **Paina sahaa koko työkappaleen läpi. Älä vedä sahaa koko työkappaleen läpi. Suorita sahaus nostamalla sahapää ylös ja vetämällä sitä työkappaleen yli ilman sahaamista, käynnistämällä moottori, painamalla sahapää alas ja painamalla sahaa koko työkappaleen läpi.** Sahaus vetoliikkeen aikana aiheuttaa sahanterän kiipeämisen työkappaleen päälle ja paiskaamaan teräkokoontalon voimakkaasti käyttäjää päin.
5. **Älä aseta käsiäsi sahausviivalle, sahanterän etu- tai takapuolelle.** Työkappaleen tukeminen "poikittaisella kädellä" ts. työkappaleen pitäminen oikealta puolelta vasemmalla kädellä tai päinvastoin on erittäin vaarallista.

► Kuva1

6. **Älä kurkota suojan taakse kummallakaan kädellä 100 mm lähempänä terää, puukappaleiden poistamiseksi tai mistään muusta syystä terän pyöriessä.** Pyöriävän terän läheisyys suhteessa käsiisi ei ehkä ole selvä ja tämä voi johtaa vakavaan henkilövahinkoon.
7. **Tarkasta työkappale ennen sahaamisen aloittamista. Jos työkappale on taipunut tai kiertynyt, kiinnitä se taipuneen osan ulkopuoli suoja vasten. Varmista aina, että työkappaleen, ohjauskiskon ja pöydän välillä ei ole rakoa sahausviivalla.** Taipuneet tai kiertyneet työkappaleet voivat liikkua ja aiheuttaa pyöriävän sahanterän juuttumisen sahausken aikana. Työkappaleessa ei saa olla nauvoja tai muita vieraita esineitä.
8. **Älä käytä sahaa, ennen kuin pöydällä ei ole työkaluja, puukappaleita jne., itse työkappaleen lisäksi.** Pyöriivään terään koskettavat pienet roskat tai irtonaiset puukappaleet tai muut esineet voivat sinkoutua ulos suurella nopeudella.
9. **Sahaa ainoastaan yksi työkappale kerrallaan.** Pinottuja työkappaleita ei voida kiinnittää kunnolla ja ne voivat juuttua terään tai liikkua sahausken aikana.
10. **Varmista ennen jiirisahan käyttöä, että se on asennettu tai sijoitettu tasaisen ja tukevan pinnan päälle.** Tasainen ja tukeva pinta alentaa jiirisahan epätasapainoa.
11. **Suunnittele työsi. Joka kerta kun vaihdat viiste- tai jirikulmaa varmista, että säädettävä ohjauskisko on asetettu oikein tukemaan työkappaletta eikä häiritse terää tai suojajärjestelmää.** Ilman, että kone on "PÄÄLLÄ" ja sen pöydällä ei ole työkappaletta, suorita sahauskoe varmistaaksesi, että ohjauskisko ei häiritse sahausta tai sitä ei sahata.
12. **Asenna tarvittavat tuet, kuten pöydän jatkeet, sahapukit jne., pöydän pintaa pidemmille tai leveämmille työkappaleille.** Jiirisahan pöytää pidemmät tai leveämmät työkappaleet voivat kaataa, jos niitä ei ole tuettu kunnolla. Jos katkaistu osa tai työkappale putoaa, voi se nostaa alasuojan ylös tai sinkoutua pyöriivän terän voimasta.
13. **Älä käytä toista henkilöä pöydän jatkeen sijaan tai lisätukena.** Epävakaa työkappaleen tuki voi johtaa terän jumiuutumiseen tai työkappaleen liikkumiseen sahausken aikana ja vetää sinut tai avustajan terää kohti.
14. **Irti sahattu osa ei saa juuttua tai painua pyöriivää sahanterään vasten.** Jos puristuksissa, esim. pituusrajoittimien käytön aikana, sahattu osa voi kiilautua terää vasten ja sinkoutua ulos voimalla.
15. **Käytä aina pyöreiden esineiden, kuten tankojen tai putkien kiinnittintä tai kannatinta.** Tangoilta on taipumus rullata sahausken aikana, jolloin terä "puree" kiinni ja vetää työkappaleen ja kätesi terää kohti.
16. **Anna terän saavuttaa maksiminopeus ennen koskettamista työkappaleeseen.** Tämä alentaa työkappaleen sinkoutumisen vaaraa.
17. **Jos työkappale tai terä takertuu tai jumiuuu, sammuta jiirisaha. Odota, että kaikki liikkuvat osat ovat pysähtyneet, irrota virtapistoke virtalähteestä ja/tai irrota akku. Tämän jälkeen vapautta jumiuutunut materiaali.** Sahaamisen jatkaminen kiinnitakertuneella ja jumiuutuneella työkappaleella voi aiheuttaa jiirisahan hallinnan menettämisen tai vaurioitumisen.
18. **Kun sahaus on valmis, vapauta kytkin, pidä sahapäätä alhaalla ja odota, kunnes terä on pysähtynyt ennen katkaistun kappaleen poistamista.** Käsin kurottaminen pyöriivän terän lähelle on vaarallista.
19. **Pidä kahvasta tiukasti kiinni epätäydellisen sahausken yhteydessä tai kun kytkin vapautetaan ennen kuin sahapää on täysin alhaalla.** Sahan jarrutus toiminto voi aiheuttaa sahapään vetämisen äkillisesti alaspäin ja johtaa tapaturmaan.
20. **Käytä vain sahanteriä, joiden halkaisija on sama kuin työkaluun merkitty tai ohjekirjassa mainittu.** Vääränkokoisien terän käyttäminen voi vaikuttaa terän suojuksen tai itse terän toimivuuteen ja aiheuttaa vakavia vammoja.
21. **Käytä vain sahanteriä, joiden merkitty nopeus on vähintään yhtä suuri ta i suurempi kuin työkaluun merkitty nopeus.**
22. **Älä sahaa muuta kuin puuta, alumiinia tai vastaavia materiaaleja.**
23. **(Ainoastaan Euroopan valtiot) Käydä aina sahanteriä, jotka noudattavat standardin EN847-1 vaatimuksia.**

Lisäohjeet

1. **Käytä riippulukkoja työpaikan lapsiturvallisuuden varmistamiseksi.**
2. **Älä seiso laitteen päällä.** Mikäli kone kallistuu tai leikkuuterään kosketaan vahingossa voi seurauksena olla vakavia henkilövahinkoja.

3. Älä jätä käynnissä olevaa laitetta ilman valvontaa. Katkaise aina virta. Älä jätä laitetta ilman valvontaa ennen kuin terä on täysin pysähtynyt.
4. Älä käytä sahaa ilman suojuksia. Varmista terän suojuksen sulkeutuminen ennen jokaista käyttökertaa. Älä käytä sahaa, jos terän suojuksi ei liiku vapaasti ja sulkeudu välittömästi. Älä koskaan kiristä tai sido terän suojusta asentoon Auki.
5. Pidä kädet poissa sahanterän liikeradalta. Vältä koskettamasta rullaavaa terää. Se voi aiheuttaa vakavan onnettomuuden.
6. Tapaturmariskin pienentämiseksi, siirrä alusta täysin taka-asentoonsa aina jokaisen sahaus-toiminnon jälkeen.
7. Kiinnitä kaikki liikkuvat osat aina ennen laitteen kuljetusta.
8. Rajoitintappi tai pysäytinvipu, joka lukitsee sahapään, on tarkoitettu vain kantamiseen ja säilytykseen eikä sitä ole tarkoitettu leikkaukseen.
9. Tarkista, ettei terässä ole halkeamia tai muita vikoja, ennen kuin aloitat työskentelyn. Vaihda hajlennut tai vahingoittunut terä välittömästi. Terään kovettunut pihka hidastaa sahaamista ja lisää takapotkun vaaraa. Pidä terä puhtaana irrottamalla se sahasta ja puhdistamalla pihkanpoistoaineella, kuumalla vedellä tai petroliilla. Älä käytä bensiiniä terän puhdistamiseen.
10. Liukusahauksen yhteydessä voi tapahtua TAKAPOTKU. TAKAPOTKUJA voi esiintyä, jos terä takertuu työkappaleeseen sahausen aikana ja sahanterä sinkoutuu nopeasti käyttäjää kohti. Seurauksena voi aiheutua laitehallinnan menetyks ja vakava henkilövahinko. Jos terä alkaa takertumaan sahausen aikana, keskeytä sahaus ja vapauta kytkin välittömästi.
11. Käytä ainoastaan tälle laitteelle tarkoitettuja laippoja.
12. Ole varovainen, ettet vahingoita karaa, laippoja (erityisesti asennuspintaa) tai pulttia. Näiden osien vaurioituminen voi aiheuttaa terän rikkoutumisen.
13. Varmista, että kääntöalusta on kiinnitetty kunolla, ettei se liiku käytön aikana. Käytä alustan reikiä sahan kiinnittämiseksi kestävään työpöytään tai työpenkkiin. ÄLÄ koskaan käytä laitetta jos käyttäjän asento on hankala.
14. Varmista, että akseliliukko on avattu, ennen kun virta kytketään päälle.
15. Varmista, ettei terä kosketa kääntöalustaa alimmassa kohdassa.
16. Ota koneesta lujaa ote. Huomioi, että saha liikkuu hieman ylös- tai alaspäin käynnistettäessä ja pysäytettäessä sitä.
17. Varmista, että terä ei kosketa työkappaletta, ennen kuin painat kytkintä.
18. Anna koneen käydä jonkin aikaa, ennen kuin alat työstää työkappaletta. Varmista, ettei työkappale tärise tai heilu, mikä voi johtua huonosta asennuksesta tai huonosti tasapainotetusta terästä.
19. Lopeta käyttö heti, jos havaitset mitään epänormaalia.
20. Älä yritä lukita liipaisinta asentoon ”PÄÄLLÄ”.
21. Käytä vain tässä ohjeessa suositeltuja lisävarusteita. Sopimattomien lisävarusteiden, esimerkiksi himalaikkojen käyttö voi aiheuttaa tapaturman.
22. Jotkin materiaalit sisältävät kemikaaleja, jotka voivat olla myrkyllisiä. Vältä pölyn sisäänhengittämistä ja ihokosketusta. Noudata materiaalin toimittajan turvaohjeita.
23. Älä käytä langallista virtalähdettä tämän laitteen kanssa.

Lampun käyttöä koskevat lisäturvaohjeet

1. Älä katso suoraan lampuun tai valonlähteeseen.

SÄILYTÄ NÄMÄ OHJEET.

VAROITUS: ÄLÄ anna työkalun helppokäyttöisyyden (toistuvan käytön aikaansaama) johtaa sinua vääriin turvallisuuden tunteeseen niin, että laiminlyöt työkalun turvaohjeiden noudattamisen. VÄÄRINKÄYTTÖ tai tässä käyttöohjeessa ilmoitettujen turvamääräysten laiminlyönti voi aiheuttaa vakavia henkilövahinkoja.

Akkupakettia koskevia tärkeitä turvaohjeita

1. Ennen akun käyttöönottoa tutustu kaikkiin laturissa (1), akussa (2) ja akkukäyttöisessä tuotteessa (3) oleviin varoitusteksteihin.
2. Älä pura tai peukaloi imuria akkupakettia. Se voi johtaa tulipaloon, ylikuumenemiseen tai räjähdykseen.
3. Jos akun toiminta-aika lyhenee merkittävästi, lopeta akun käyttö. Seurauksena voi olla ylikuumeneminen, palovammoja tai jopa räjähdys.
4. Jos akkuneustettä pääsee silmiin, huuhtelee puhtaalla vedellä ja hakeudu välittömästi lääkärin hoitoon. Akkuneuste voi aiheuttaa näön menetyksen.
5. Älä oikosulje akkua.
 - (1) Älä koske akun napoihin millään sähköä johtavalla materiaalilla.
 - (2) Vältä akun oikosulkemista äläkä säilytä akkua yhdessä muiden metalliesineiden, kuten naulojen, kolikoiden ja niin edelleen kanssa.
 - (3) Älä aseta akkua alttiiksi vedelle tai sateelle.
 Oikosulku voi aiheuttaa virtapiikin, ylikuumenemista, palovammoja tai laitteen rikkoontumisen.
6. Älä säilytä ja käytä työkalua ja akkupakettia paikassa, jossa lämpötila voi nousta 50 °C:een (122 °F) tai korkeammaksi.
7. Älä hävitä akkua polttamalla, vaikka se olisi pahoin vaurioitunut tai täysin loppuun kulunut. Avotuli voi aiheuttaa akun räjähtämisen.
8. Älä naulaa, leikkaa, purista, heitä tai pudota akkupakettia tai iske sitä kovia esineitä vasten. Tällaiset toimet voivat johtaa tulipaloon, ylikuumenemiseen tai räjähdykseen.

9. Älä käytä viallista akkua.
10. Sisältyviä litium-ioni-akkuja koskevat vaarallisten aineiden lainsäädännön vaatimukset. Esimerkiksi kolmansien osapuolten huolintaliikkeen tulee kaupallisissa kuljetuksissa noudattaa pakkaamista ja merkintöjä koskevia erityisvaatimuksia. Lähetettävän tuotteen valmistelu edellyttää vaarallisten aineiden asiantuntijan neuvontaa. Huomioi myös mahdollisesti yksityiskohtaisemmat kansalliset määräykset Akun avoimet liittimet tulee suojata teipillä tai suojuksella ja pakkaaminen tulee tehdä niin, ettei akku voi liikkua pakkauksessa.
11. Kun akkupaketti on hävitettävä, poista se laitteesta ja hävitä se turvallisesti. Hävitä akku paikallisten määräysten mukaisesti.
12. Käytä akkuja vain Makitan ilmoittamien tuotteiden kanssa. Akkujen asentaminen yhteensopimattomiin tuotteisiin voi aiheuttaa tulipalon, liiallisen ylikuumentumisen, räjähdyksen tai akkunestevuotoja.
13. Jos laitetta ei käytetä pitkään aikaan, akku on poistettava laitteesta.
14. Akkupaketin lämpötila voi käytön aikana ja sen jälkeen nousta niin kuumaksi, että se voi aiheuttaa palovammoja tai lievää palovammoja. Käsittele kuumia akkupaketteja huolellisesti.
15. Älä kosketa työkalun liittimiä välittömästi käytön jälkeen, sillä se voi olla riittävän kuuma aiheuttamaan palovammoja.
16. Älä päästä lastuja, pölyä tai maata akkupaketin liittimiin, aukkoihin ja uriin. Se voi heikentää työkalun tai akkupaketin suorituskykyä tai johtaa niiden rikkoutumiseen.
17. Ellei työkalu tue käyttöä korkeajännitelinjojen lähellä, älä käytä akkupakettia korkeajännitelinjojen lähellä. Se voi johtaa työkalun tai akkupaketin toimintahäiriöön tai rikkoutumiseen.
18. Pidä akku poissa lasten ulottuvilta.

SÄILYTÄ NÄMÄ OHJEET.

▲HUOMIO: Käytä vain alkuperäisiä Makita-akkuja. Muiden kuin aitojen Makita-akkujen, tai mahdollisesti muutettujen akkujen käyttö voi johtaa akun murtumiseen ja aiheuttaa tulipaloja, henkilö- ja omaisuusvahinkoja. Se mitätöi myös Makita-työkalun ja -laturin Makita-takuun.

Vihjeitä akun käyttöiän pidentämiseksi

1. Lataa akku ennen kuin se purkautuu täysin. Lopeta aina työkalun käyttö ja lataa akku, jos huomaat työkalun tehon vähenevän.
2. Älä koskaan lataa uudestaan täysin ladattua akkua. Yli lataaminen lyhentää akun käyttöikää.
3. Lataa akku huoneen lämpötilassa välillä 10 °C - 40 °C. Anna kuumen akun jäähtyä ennen lataamista.
4. Irrota akkupaketti työkalusta tai laturista, kun sitä ei käytetä.
5. Lataa akkupaketti, jos et käytä sitä pitkään aikaan (yli kuusi kuukautta).

Langatonta yksikköä koskevat tärkeät turvallisuusohjeet

1. Älä pura tai peukaloi langatonta yksikköä.
2. Pidä langaton yksikkö lasten ulottumattomissa. Jos tuote niellään vahingossa, ota välittömästi yhteys lääkäriin.
3. Käytä langatonta yksikköä vain Makitan työkalujen kanssa.
4. Älä altista langatonta yksikköä sateelle tai kosteisiin olosuhteisiin.
5. Älä käytä langatonta yksikköä paikassa, jossa lämpötila voi nousta yli 50 °C.
6. Älä käytä langatonta yksikköä paikassa, jonka läheisyydessä on lääketieteellisiä instrumentteja, kuten sydämentahdistajia jne.
7. Älä käytä langatonta yksikköä paikassa, jonka läheisyydessä on automatisoituja laitteita. Toiminnallisena automatisoidut laitteet voivat aiheuttaa käyttöhäiriöitä tai virheitä.
8. Älä jätä langatonta yksikköä paikkaan, jonka lämpötila on suuri tai jossa voi muodostua staattista sähköä tai sähkökohinahäiriöitä.
9. Langaton yksikkö voi muodostaa käyttäjälle vaarattomia sähkömagneettikenttiä (EMF).
10. Langaton yksikkö on tarkkuuslaite. Varo kolhimasta tai pudottamasta langatonta yksikköä.
11. Vältä koskettelemasta langattoman yksikön liittimiä paljain käsin tai metallisilla materiaaleilla.
12. Irrota akku laitteesta aina, kun laitteeseen asennetaan langaton yksikkö.
13. Avattaessa uran kantta, vältä paikkoja missä pöly ja vesi voivat päästä uraan. Pidä aina uran aukko puhtaana.
14. Aseta langaton yksikkö aina oikeassa suunnassa.
15. Älä paina langattoman yksikön langatonta aktivointipainiketta liian kovaa ja/tai paina painiketta teräväreunaisilla kohteilla.
16. Sulje uran kansi käytön aikana.
17. Älä irrota langatonta yksikköä urasta laitteen virransyötön aikana. Muussa tapauksessa voi seurauksena olla langattoman yksikön käyttöhäiriöitä.
18. Älä irrota langattoman yksikön tarraa.
19. Älä kiinnitä mitään tarroja langattomaan yksikköön.
20. Älä jätä langatonta yksikköä paikkaan, missä on staattista sähköä tai sähkökohinahäiriöitä voi muodostua.
21. Älä jätä langatonta yksikköä äärimmäisiin lämpötiloihin, kuten auton istuimelle auringonpaisteeseen.
22. Älä jätä langatonta yksikköä paikkaan, missä on pölyä tai jauheita tai syövyttäviä kaasuja voi muodostua.
23. Äkillinen lämpötilan vaihtelu voi kostuttaa langattoman yksikön. Älä käytä langatonta yksikköä ennenkuin kaste on täysin kuivunut.
24. Puhdista langaton yksikkö pyyhkimällä se kevyesti kuivalla liinalla. Älä käytä puhdistamiseen bensiiniä, tinneriä, johtavaa rasvaa tai vastaavaa.

25. Säilytä langatonta yksikköä mukana toimituksessa kotelossa tai ei staattisessa säilyössä.
26. Älä liitä muita, kuin Makitan langattomia yksiköitä laitteen uraan.
27. Älä käytä laitetta uran kannen ollessa vaurioitunut. Uraan pääsevä vesi, pöly ja lika voivat aiheuttaa käyttöhäiriöitä.

28. Älä vedä ja/tai väännä uran kantta enempää kuin on tarpeen. Aseta kansi takaisin jos se irtoaa laitteesta.
29. Vaihda uran kansi sen ollessa kadonnut tai vaurioitunut.

SÄILYÄ NÄMÄ OHJEET.

OSIEN KUVAUS

► Kuva2

1	Nuppi (viistekulma)	2	Kuusioavain	3	Säätöruuvi (alempi raja-asento)	4	Säätöpultti (suurin sahauskapasiteetti)
5	Lukitusvarsi	6	Lukituspainike	7	Liipaisinkytkin	8	Kansi (langattoman yksikön)
9	Reikä riippulukkoa varten	10	Langaton aktivoitinpainike	11	Langattoman aktivoinnin merkivalo	12	Lamppupainike
13	Imuripainike	14	Teräkotelo	15	Teräsuojus	16	Pidike
17	Lukitusvipu (kääntöalusta)	18	Vapautusvipu (kääntöalusta)	19	Kahva (kääntöalusta)	20	Kitapala
21	Jiirikulma-asteikko	22	Osoitin (jiirikulma)	23	Kääntöalusta	24	Vapautuspainike (oikean puolen viistekulma)
25	Pystypuristin	26	Rajoihintappi (alustan liukumiseen)	27	Liukutanko	-	-

► Kuva3

1	Kahva	2	Akkupaketti	3	Pölypussi (pölynpoistoletkun paikalla)	4	Letku (pölynpoisto)
5	0° säätöpultti (viistekulma)	6	Viistekulma-asteikko	7	Osoitin (viistekulma)	8	45° säätöpultti (viistekulma)
9	Lukitusvipu (viistekulma)	10	Vapautusvipu (48° viistekulma)	11	Ohjauskisko (yläohjauskisko)	12	Ohjauskisko (alaohjauskisko)
13	Rajoihintappi (alustan liukumiseen)	14	Akseilukko	-	-	-	-

ASENNUS

Kahvan asentaminen

Kierrä kahvan kierrekseli kääntöalustaan.

► **Kuva4:** 1. Kahva 2. Kääntöalusta

Pölynpoistoletkun asentaminen ja poistaminen

Liitä letkun kulmakappale ylempään liitäntään siten, että lukituspainike osoittaa ylöspäin. Aseta letkun holkki alempaan liitäntään samalla kun painat ja kohdistat holkin pysäytinpainikkeet liitännän ohjainloviin. Varmista, että kulmakappale ja holkki asettuvat oikein laitteen liitäntöihin.

► **Kuva5:** 1. Pölynpoistoletku 2. Kulma 3. Lukituspainike 4. Holkki 5. Ylempi liitäntä 6. Alempi liitäntä

Letkun kulmakappale irrotetaan liitännästä vetämällä kulmakappaletta ja painamalla samanaikaisesti lukituspainiketta.

► **Kuva6:** 1. Lukituspainike 2. Kulma

Letkun holkki irrotetaan liitännästä vetämällä holkkia samalla, kun liitännän molemmilla puolilla olevia pysäytyspainikkeita painetaan.

► **Kuva7:** 1. Pysäytyspainike 2. Holkki

Penkin kiinnittäminen

Laitteen kahva on lukittu kuljetuksen ajaksi ala-asentoon rajoihintapin avulla. Kun kahvaa lasketaan hieman, vedä rajoihintappia ja kierrä sitä 90°.

► **Kuva8:** 1. Lukittu asento 2. Avattu asento 3. Rajoihintappi

Työkalu tulee ruuvata neljällä ruuvilla tasaiselle pinnalle laitteen pohjassa olevia ruuvinreikiä käyttäen. Tämä estää kaatumisen ja mahdollisen vammautumisen.

► **Kuva9:** 1. Pultit

VAROITUS: Varmista, että laite ei pääse liikkumaan tukipinnalla. Jos jiirisaha pääsee liikkumaan tukipinnalla sahaamisen aikana, seurauksena voi olla työkalun hallinnan menettäminen ja vakava henkilövahinko.

TOIMINTOJEN KUVAUS

VAROITUS: Varmista aina ennen säätöjä tai tarkastuksia, että laite on sammutettu ja akku on irrotettu. Jos virtaa ei katkaista eikä akkua irroteta, työkalu voi käynnistyä vahingossa ja aiheuttaa vakavan tapaturman.

Akun asentaminen tai irrottaminen

HUOMIO: Sammuta työkalu aina ennen akun kiinnittämistä tai irrottamista.

HUOMIO: Pidä työkalusta ja akusta tiukasti kiinni, kun irrotat tai kiinnität akkua. Jos akkupaketti tai työkalu putoaa, ne voivat vaurioitua tai aiheuttaa tapaturman.

► **Kuva10:** 1. Punainen ilmaisim 2. Painike
3. Akkupaketti

Irrota akku painamalla akun etupuolella olevaa painiketta ja vetämällä akku ulos työkalusta.

Akkupaketti asetetaan paikalleen sovittamalla akkupaketin kielekele rungon uraan ja työntämällä se sitten paikalleen. Työnnä se pohjaan asti niin, että kuulet sen napsahtavan paikoilleen. Jos näet kuvan mukaisen punaisen ilmaisimen, lukitus ei ole täysin pitävä.

HUOMIO: Työnnä akkupaketti aina pohjaan asti, niin että punainen ilmaisim ei enää näy. Jos akkupaketti ei ole kunnolla paikallaan, se voi pudota työkalusta ja aiheuttaa vammoja joko sinulle tai sivullisille.

HUOMIO: Älä käytä voimaa akun asennuksessa. Jos akku ei liu'u paikalleen helposti, se on väärässä asennossa.

Työkalun/akun suojausjärjestelmä

Työkalu on varustettu työkalu/akun suojausjärjestelmällä. Tämä järjestelmä pidentää työkalun ja akun käyttöikää katkaisemalla automaattisesti moottorin virran. Työkalu pysähtyy automaattisesti kesken käytön, jos työkalussa tai akussa ilmenee jokin seuraavista tilanteista: Joissakin tilanteissa merkkivalot syttyvät.

Ylikuormitusuoja

Kun laitetta/akkua käytetään tavalla, joka saa sen kuluttamaan epätavallisen suuren määrän virtaa, laite pysähtyy automaattisesti. Katkaise tässä tilanteessa laitteesta virta ja lopeta ylikuormitustilan aiheuttanut käyttö. Käynnistä sitten laite uudelleen kytkemällä siihen virta.

Ylikuumenemissuoja

Työkalun/akun ylikuumetessa työkalu pysähtyy automaattisesti ja lamppu alkaa vilkkua. Tässä tapauksessa anna työkalun jäähtyä, ennen kuin kytket sen uudelleen päälle.

Ylipurkautumissuoja

Jos akkukapasiteetti käy vähiin, työkalu pysähtyy automaattisesti. Jos työkalu ei toimi, vaikka kytkintä käytetään, irrota akku työkalusta ja lataa se.

Akun jäljellä olevan varaustason ilmaisin

Painamalla tarkistuspainiketta saat näkyviin akun jäljellä olevan varausten. Merkkivalot palavat muutaman sekunnin ajan.

► **Kuva11:** 1. Merkkivalot 2. Tarkistuspainike

Merkkivalot			Akussa jäljellä olevan varaustason ilmaisin
Palaa	Pois päältä	Vilkkuu	
			75% - 100%
			50% - 75%
			25% - 50%
			0% - 25%
			Lataa akku.
			Akussa on saattanut olla toimintahäiriö.

HUOMAA: Ilmoitettu varaustaso voi erota hieman todellisesta varaustasosta sen mukaan, millaisissa oloissa ja missä lämpötilassa laitetta käytetään.

HUOMAA: Ensimmäinen (vasemmanpuoleisin) merkkivalo vilkkuu, kun akun suojausjärjestelmä on toiminnassa.

Kahvan lukitus

HUOMIO: Pidä aina kahvasta vapauttaessasi rajoitintapin. Muuten kahva ponnahtaa ylös ja saattaa aiheuttaa henkilövahinkoja.

Kahva voidaan lukita ala-asentoon tai nostettuun asentoon rajoitintapilla. Laske tai nosta kahvaa ääriasentoon ja vedä ja kierrä rajoitintappia sitten lukitusasennossa. Kahvan lukitus avataan vetämällä rajoitintappia ja kääntämällä sitä 90° lukitsemattomaan asentoon samalla, kun kahvaa lasketaan hieman.

► **Kuva12:** 1. Lukittu asento 2. Avattu asento
3. Rajoitintappi

Liukulukitus

Vedä rajoitintappia ja käännä sitä 90° avattuun asentoon niin, että kuljetin liikkuu vapaasti. Lukitse kuljetin liukulukitus painamalla kuljetinta vartta kohti, kunnes kuljetin pysähtyy, ja palauttamalla sitten rajoitintappi lukittuun asentoon.

► **Kuva13:** 1. Lukittu asento 2. Avattu asento
3. Rajoitintappi 4. Varsi

Teräsuojus

VAROITUS: Älä koskaan ohita tai poista teräsuojusta tai siihen kiinnittyvää jousta. Jos laitetta käytetään terän jäädessä ilman suojusta, seurauksena voi olla vakava henkilövahinko.

VAROITUS: Älä koskaan käytä työkalua, jos teräsuojus tai jousi on vahingoittunut, viallinen tai irronnut. Jos työkalua käytetään, vaikka suojus on vahingoittunut, viallinen tai irronnut, seurauksena voi olla vakava henkilövahinko.

HUOMIO: Pidä teräsuoja aina hyvässä käytökunnossa turvallisen käytön varmistamiseksi. Lopeta käyttö välittömästi, jos teräsuojassa ilmenee jotain epätavallista. Tarkista varmistaaksesi suojuksen jousenpaluu toiminta.

Kun lasket kahvaa, teräsuojus nousee automaattisesti. Teräsuojus on jousitettu, joten ne palautuvat alkupäiseen asentoonsa, kun leikkaus on valmis ja kahva nostettu.

► **Kuva14:** 1. Teräsuojus

Puhdistus

Jos läpinäkyvä teräsuojus likaantuu tai siihen kertyy sahanpurua siten, ettei terää ja/tai työkalua näy, irrota akkupaketti ja puhdista suojus huolellisesti kostealla liinalla. Älä käytä liuottimia äläkä öljypohjaisia puhdistusaineita, sillä ne voivat vahingoittaa muovista suojusta.

Noudata puhdistukseen valmistautumisen vaiheittaisia ohjeita.

1. Varmista, että työkalu on sammutettu ja akkupaketti on irrotettu.
2. Käännä kuusiopulttia vastapäivään mukana toimitettua kuusioavainta käyttäen ja pitämällä keskikantta.
3. Nosta teräsuojus ja keskikansi.
4. Kun puhdistus on suoritettu, palauta keskikansi ja kiristä kuusiopultti suorittamalla edellä mainitut vaiheet päinvastaisessa järjestyksessä.
5. Varmista, että palautat pyörösahanterän ja keskikannen alkuperäisille paikoilleen ja että kiristät kuusiopultin.

► **Kuva15:** 1. Kuusioavain 2. Kuusiopultti 3. Keskikansi 4. Teräsuoja

VAROITUS: Älä poista teräsuojusta paikallaan pitävää jousta. Jos suojus vaurioituu ajan tai ultraviolettille altistumisen myötä, hanki uusi suojus ottamalla yhteyttä Makitan huoltopisteeseen. **ÄLÄ ESTÄ SUOJUksen TOIMINTAA TAI IRROTA SITÄ.**

Kitapalan sijoittaminen

Työkalun mukana toimitetaan kääntöalustan kitapalat, jotka minimoivat leikkauksen poistumispuolen repimisen. Kitapalat ovat säädetty tehtaalla niin, ettei pyörösahanterä kosketa kitapaloja. Säädä kitapalat ennen käyttöä seuraavasti:

1. Varmista, että poistat akkupaketin. Löysää kaikki kitapaloja paikallaan pitävät ruuvit (kaksi ruuvia sekä vasemmalla että oikealla).

► **Kuva16:** 1. Lovilauta 2. Ruuvit

HUOMAA: Takaruuveja voi helposti löysätä ja kiristää kääntämällä kääntöalustaa kulmassa. Varmista, että nostat kahvan kokonaan, kun käännät kääntöalustaa.

2. Kiristä niitä vain sen verran, että uurrostasoja voi edelleen helposti siirtää käsin.

3. Laske kahva kokonaan alas ja lukitse se sitten ala-asentoon rajoitintappia kääntämällä.

4. Vedä ja käännä liukutangon rajoitintappia niin, että kuljetin vapautuu liu'utettavaksi.

► **Kuva17:** 1. Rajoitintappi 2. Lukittu asento 3. Avattu asento

5. Vedä kuljetin kokonaan itseesi päin.

6. Säädä kitapalat niin, että ne juuri ja juuri koskettavat terän hampaiden syrjiä.

► **Kuva18**

► **Kuva19:** 1. Sahanterä 2. Terän hampaat 3. Lovilauta 4. Vasen viistoleikkaus 5. Leikkaaminen vaakasuunnassa 6. Oikea viistesahausta

HUOMAUTUS: Kun haluat muuttaa viistekulmaa, sijoita kitapalat asianmukaisesti.

HUOMAUTUS: Irrota aina yläohjauksiskot ja pystypuristin ennen kitapalojen asemoimista vasenta tai oikeaa viistesahausta varten.

7. Kiristä eturuuvit (älä kiristä liikaa).

8. Työnnä kuljetin kokonaan sahausvasteiden suuntaan ja säädä sitten kitapalat niin, että ne juuri ja juuri koskettavat terän hampaiden syrjiä.

9. Kiristä takaruuvit (älä kiristä tiukasti).

10. Vapauta kahvan lukituksen rajoitintappi ja nosta kahva ylös, kun kitapalat on säädetty. Kiristä sitten kaikki ruuvit tiukasti.

HUOMAUTUS: Varmista viistekulman asettamisen jälkeen, että kitapalat on säädetty oikein. Kun kitapalat on säädetty oikein, työkalu pysyy tukevasti paikallaan eikä repeydy helposti irti.

Parhaan sahauskyvyn ylläpitäminen

Tämä laite on säädetty tehtaalla siten, että se tarjoaa suurimman mahdollisen sahauskyvyn 260 mm:n sahanterälle.

Kun asennat uuden pyörösahanterän, tarkista aina pyörösahanterän ala-asennon raja ja säädä sitä tarvittaessa seuraavasti:

1. Irrota akkupaketti. Käännä sitten rajoitinvipu lukitusasentoon.

► **Kuva20:** 1. Pysäytinvipu

2. Työnnä alustaa kokonaan sahausvasteita päin ja laske kahva täysin alas.

► **Kuva21:** 1. Sahausvaste 2. Säätpultti

3. Käännä säätpulttia kuusioavaimella, kunnes pyörösahanterä tulee hieman sahausvasteiden poikki-leikkauksen ja kääntöalustan yläpinnan alapuolelle.

► **Kuva22:** 1. Kiertopohjan yläpinta 2. Sahausvaste

4. Käännä terää käsin pitämällä samalla kahva kokonaan alhaalla, jotta pyörösahanterä ei kosketa mitään kohtaa alajalustassa. Hienosäädä tarvittaessa.

VAROITUS: Kun olet kiinnittänyt uuden pyörösahanterän akkupaketin ollessa irrotettuna, varmista aina, että pyörösahanterä ei kosketa mihinkään alajalustan kohtaan, kun kahva on kokonaan alhaalla. Jos pyörösahanterä koskettaa jalustaa, seurauksena voi olla takapotku ja vakava henkilövahinko.

► Kuva23

HUOMIO: Palauta pysäytinvipu aina alkuasentoonsa, kun säätö on valmis.

Lukitusvarsi

Pyörösahanterän alemmaa raja-asentoa voi säätää helposti lukitusvarren avulla. Tee säätö siirtämällä lukitusvarrtä kuvan mukaisesti nuolen osoittamaan suuntaan. Käännä säätöruuvia niin, että pyörösahanterä pysähtyy haluttuun asentoon, kun kahva on laskettuna täysin alas.

► Kuva24: 1. Säätöruuvi 2. Lukitusvarsi

HUOMIO: Pidä aina kahvasta tiukasti kiinni säätämisen aikana. Tämän ohjeen laiminlyönti voi johtaa kuljettimeen ponnahtamiseen ylös ja aiheuttaa henkilövahingon.

Leikkauskorkeuden säätäminen

HUOMIO: Kiinnitä aina viistokulman vaihtamisen jälkeen kääntöalusta paikalleen vapauttamalla lukitus/vapautusvipu lukittuun asentoon ja kiristämällä kahva tiukasti.

HUOMAUTUS: Kääntöalustaa käännettäessä varmista, että nostat kahvan täysin.

1. Käännä kahvaa vastapäivään. Paina sitten alas lukitusvipua ja pidä se painettuna lukitsemattomaan asentoon.
 2. Käännä kääntöalustaa pitämällä kahvasta kiinni ja kääntämällä se puolelta toiselle.
 3. Aseta osoitin haluttuun kulmaan jiiirikulma-asteikolla.
 4. Vapauta lukitusvipu ja kiristä kahva.
- Kuva25: 1. Kahva 2. Lukitusvipu 3. Osoitin 4. Jiiirikulma-asteikko

Tarkka pysäytystoiminto

Tässä jiiirissä on tarkka pysäytystoiminto. Voit asettaa oikeaksi/vasemmaksi jiiirikulmaksi nopeasti 0°, 15°, 22,5°, 31,6°, 45° tai 60°.

1. Käännä kahvaa vastapäivään
2. Paina alas lukitusvipua ja pidä se painettuna lukitsemattomaan asentoon.
3. Käännä kääntöalusta suunnilleen haluamaasi pysäytyskulmaan ja vapauta lukitusvipu.
4. Käännä kääntöalusta haluamaasi tarkkaan pysäytyskulmaan, kunnes se lukittuu.

5. Kiristä kahva.

► Kuva26: 1. Kahva 2. Lukitusvipu 3. Tarkka pysäytyskulma

HUOMAA: Voit määrittää kääntöalustan vapaaksi positiivisesta pysäytystoiminnosta painamalla vapautusvipua. Kääntöalustaa voidaan siirtää vapaasti painamatta lukitusvipua alas. Käännä kahvaa, että saat kääntöalustan käännettyä haluamaasi kulmaa, ja kiristä sitten kahva.

► Kuva27: 1. Vapautusvipu

Kallistuskulman säätäminen

HUOMIO: Viisteityskulman muuttamisen jälkeen varmista aina varsi kiristämällä liikutangon nuppia myötäpäivään.

HUOMAUTUS: Irrota aina yläohjauksiskot ja pystypuristin ennen viistekulman säätöä.

HUOMAUTUS: Varmista pyörösahanterää kallistaessasi, että kuljetin on kokonaan ylhäällä.

HUOMAUTUS: Kun muutat viistekulmia, sijoita kitapalat asianmukaisesti uudelleen niiden sijoitusta käsittelevän osion ohjeiden mukaisesti.

HUOMAUTUS: Älä kiristä liikutangon nuppia liian paljon. Muussa tapauksessa viistekulman lukitusmekanismissa voi ilmetä käyttöhäiriöitä.

Pyörösahanterän kallistaminen vasemmalle

1. Käännä liikutangon nuppia vastapäivään.

► Kuva28: 1. Nuppi

2. Vedä ja kierrä lukitusvipua kuvan osoittamaan asentoon.

► Kuva29: 1. Lukitusvipu

3. Pidä kahvasta kiinni ja kallista kuljetinta vasemmalle.

4. Aseta osoitin haluamaasi kulmaan viistekulma-asteikolla.

5. Kiinnitä varsi kiristämällä nuppia myötäpäivään.

► Kuva30: 1. Nuppi 2. Kahva 3. Osoitin 4. Viistekulma-asteikko

Pyörösahanterän kallistaminen oikealle

1. Kierrä liikutangon nuppia vastapäivään.

2. Pidä kahvasta kiinni ja kallista kuljetinta hieman vasemmalle.

3. Paina oikean puolen viistekulman vapautuspainiketta ja kallista samalla kuljetinta oikealle.

4. Aseta osoitin haluamaasi kulmaan viistekulma-asteikolla.

5. Kiinnitä varsi kiristämällä nuppia myötäpäivään.

► Kuva31: 1. Nuppi 2. Kahva 3. Oikean puolen viistekulman vapautuspainike 4. Viistekulma-asteikko

Pyörösahanterän kallistaminen tarkkan pysäytystoiminnon avulla

Tässä jirissä on tarkka pysäytystoiminto. Voit asettaa oikean ja vasemman kulman 22,5° ja 33,9° nopeasti.

1. Kierrä liikutangon nuppia vastapäivään.
 2. Käännä kääntölusta suunnilleen haluamaasi pysäytyskulmaan ja nosta lukitusvipua ylös.
 3. Aseta lukitusvipu vaakaasuuntaiseen asentoon.
 4. Käännä alusta tarkalleen haluamaasi tarkkaan pysäytyskulmaan, kunnes se on paikallaan.
 5. Voit muuttaa kulmaa vetämällä lukitusvipua kohti työkalun etuosaa ja kallistamalla sitten kuljetinta uudelleen.
 6. Kiinnitä varsi kiristämällä nuppia myötäpäivään.
- **Kuva32:** 1. Nuppi 2. Lukitusvipu

Pyörösahanterän kallistaminen kulmaväliä 0°–45° suuremmaksi

1. Kierrä liikutangon nuppia vastapäivään.
 2. Pidä kahvasta kiinni ja kallista kuljetin kulman 45° yli vasemmalle tai oikealle.
 3. Vedä kuljetinta hieman takaisin päin ja liu'uta 48° viistekulman vapautusvipua kohti työkalun etuosaa.
 4. Kallista kuljetinta lisää vasemmalle tai oikealle samalla, kun pidät vapautusvipua vapautettuna.
 5. Kiinnitä varsi kiristämällä nuppia myötäpäivään.
- **Kuva33:** 1. Nuppi 2. Kahva 3. 48° viistekulman vapautusvipu

Kytkimen käyttäminen

VAROITUS: Tarkista aina ennen akkupaketin työkaluun asettamista, että liipaisinkytkin toimii oikein ja palaa OFF-asentoon, kun se vapautetaan. Älä paina liipaisinkytkintä voimakkaasti, ellei samalla paina lukituksen vapautuspainiketta. Se voi aiheuttaa kytkimen rikkoutumisen. Jos työkalua käytetään, kun kytkin ei toimi moitteettomasti, seurauksena voi olla hallinnan menetys ja vakava henkilövahinko.

VAROITUS: ÄLÄ koskaan käytä sahaa, jos liipaisinkytkin ei toimi moitteettomasti. Epäkuntoisella kytkimellä varustettu kone on ERITTÄIN VAARALLINEN. Se tulee korjata välittömästi ennen käytön jatkamista vakavien henkilövahinkojen välttämiseksi.

VAROITUS: ÄLÄ KOSKAAN ohita lukituksen vapautuspainiketta teippaamalla sitä kiinni tai muulla tavoin. Jos kytkimen lukituksen vapautuspainike vapautetaan, laite saattaa käynnistyä vahingossa, mistä voi seurata vakava henkilövahinko.

VAROITUS: ÄLÄ KOSKAAN käytä sahaa, jos se käynnistyy pelkästään liipaisinkytkintä painamalla ilman, että painaisit lukituksen vapautuspainiketta. Jos kytkin on viallinen, laite saattaa käynnistyä vahingossa, mistä voi seurata vakava henkilövahinko. Toimita työkalu Makita-huoltoon korjattavaksi ENNEN kuin jatkat käyttöä.

- **Kuva34:** 1. Liipaisinkytkin 2. Lukituspainike
3. Reikä riippulukkoa varten

Käytä lukituksen vapautusnappia liipaisinkytkimen tahattoman vetämisen estämiseksi. Käynnistä laite painamalla lukituksen vapautuspainiketta ja painamalla liipaisinkytkimestä. Pysäytä vapauttamalla liipaisinkytkin. Liipaisinkytkimessä on reikä, johon voi kiinnittää riippulukon laitteen lukitsemista varten.

VAROITUS: Älä käytä lukkoa, jonka sangan tai vaijerin läpimitta on alle 6,35 mm. Jos sanka tai vaijeri on tätä ohuempi, laite ei lukkiudu asianmukaisesti OFF-asentoon ja saattaa käynnistyä vahingossa, mistä voi seurata vakava henkilövahinko.

Leikkuulinjan valaiseminen

HUOMIO: Lamppu ei ole sateen kestävä. Älä pese lampua vedellä tai käytä sitä sateessa tai kostealla alueella. Tällainen menettely saattaa johtaa sähköiskuun ja savuamiseen.

HUOMIO: Älä kosketa lampun linssiä, koska se on erittäin kuuma päälle kytkettynä ja lyhyen ajan päästä sammuttamisesta. Se voi johtaa palovammoihin.

HUOMIO: Älä kolhi lampua, jotta se ei vaurioidu, mikä voi lyhentää sen käyttöikää.

HUOMIO: Älä katso suoraan lampuun tai valonlähteeseen.

LED-lamppu valaisee pyörösahanterää niin, että terän varjo muodostaa työkalupaleeseen leikkuulinjailmaisimen, jota ei tarvitse kalibroida. Sytytät valo painamalla lampunpainiketta. Työkappaleen pintaan tulee näkyviin linja, jota pitkin terä kulkee. Linja terävoituu, kun terää lasketaan.

► **Kuva35:** 1. Lamppupainike 2. Lamppu 3. Leikkuulinja

Tämä ilmaisin auttaa leikkaamaan tarkasti työkalupaleeseen piirrettyä katkaisulinjaa pitkin.

1. Tartu kahvasta kiinni ja laske pyörösahanterää niin, että terän varjo tulee näkyviin työkalupaleeseen.
2. Kohdista työkalupaleeseen piirretty katkaisulinja leikkuulinjan varjon kanssa.
3. Säädä jiiri- ja viistekulmat tarvittaessa.

HUOMAA: Varmista, että sammutat lampun kytkimen käytön jälkeen, sillä valon pitäminen päällä kuluttaa akkuvirtaa.

HUOMAA: Valo sammuu automaattisesti 5 minuutin kuluttua käytön lopettamisesta.

Sähköinen toiminta

Sähköjarru

Tämä laite on varustettu terän sähköjarrulla. Jos työkalu ei toistuvasti pysähdy nopeasti liipaisinkytkimen vapautuksen jälkeen, vie työkalu huollettavaksi Makitan huoltopalveluun.

HUOMIO: Terän jarrujärjestelmä ei korvaa teräsuojusta. Älä koskaan käytä työkalua ilman toimivaa teräsuojusta. Vaurioituneen terän käyttäminen voi aiheuttaa vakavia vammoja.

Vakionopeuden säätö

Laitte on varustettu sähköisellä vakionopeudensäädöllä, joka auttaa pitämään terän pyörimisnopeuden vakaana myös kuormitettuna. Kun terä pyörii vakionopeudella, sahausjälki on erittäin tasainen.

Pehmeä käynnisty

Tämä toiminto mahdollistaa laitteen pehmeän käynnistuksen rajoittamalla käynnistyksen vääntömomenttia.

KOKOONPANO

VAROITUS: Varmista aina ennen kaikkia kunnossapitotoimia, että laite on sammutettu ja akku on irrotettu. Jos laitetta ei sammuteta eikä akkupakettia irroteta, seurauksena voi olla vakava henkilövahinko.

Kuusioavaimen varastointi

Säilytä kuusioavainta kuvan osoittamassa paikassa sen katoamisen välttämiseksi.

► **Kuva36:** 1. Kuusioavain

Sahanterän irrotus tai kiinnitys

VAROITUS: Varmista aina ennen pyörösahanterän kiinnittämistä tai irrottamista, että työkalu on sammutettu ja akkupaketti irrotettu. Työkalun käynnistyminen vahingossa saattaa aiheuttaa vakavan henkilövahingon.

VAROITUS: Käytä pyörösahanterän irrottamiseen ja kiinnittämiseen vain mukana toimitettua Makitan kiintoavainta. Jos avainta ei käytetä, seurauksena voi olla vakava henkilövahinko kuusiokolopultin liiallisen tai riittämättömän kiristyksen takia.

VAROITUS: Älä koskaan käytä laitteessa tai vaihda siihen osia, joita ei ole toimitettu sen mukana. Tällaisten osien käyttö voi aiheuttaa vakavia henkilövahinkoja.

VAROITUS: Kun olet kiinnittänyt pyörösahanterän, varmista aina, että se on kunnolla kiinni. Pyörösahanterän löysä kiinnitys voi aiheuttaa vakavia henkilövahinkoja.

Terän irrotus

Irrota pyörösahanterä toimimalla seuraavasti:

1. Lukitse kuljetin nostettuun asentoon vetämällä ja kääntämällä rajoitintappi lukittuun asentoon.
► **Kuva37:** 1. Rajoitintappi 2. Avattu asento 3. Lukittu asento

2. Löysää sitten keskikannen kiinni pitävää kuusiopulttia kuusioavaimella. Nosta sitten teräsuojusta ja keskikantta.

► **Kuva38:** 1. Kuusioavain 2. Kuusiopultti
3. Keskikansi 4. Teräsuojus

3. Lukitse kara painamalla akselilukkoa ja löysää kuusiokolopulttia kääntämällä sitä myötäpäivään kuusioavaimella. Irrota sitten kuusiokolopultti, ulkolaippa ja pyörösahanterä.

► **Kuva39:** 1. Kuusiokantapultti (vasenkätinen)
2. Ulkolaippa 3. Akselilukko

4. Jos sisälaippa irrotetaan, asenna se karaan siten, että sen syvennetty sivu osoittaa pyörösahanterää kohti. Jos laippa asennetaan väärin, se hankaa konetta vasten.

Renkaalliset työkalut
(*maakohtainen*)

► **Kuva40:** 1. Kuusiokantapultti (vasenkätinen)
2. Ulkolaippa 3. Pyörösahanterä
4. Rengas 5. Sisälaippa 6. Kara
7. Syvennetty sivu

Renkaaton työkalu
(*maakohtainen*)

► **Kuva41:** 1. Kuusiokantapultti (vasenkätinen)
2. Ulkolaippa 3. Pyörösahanterä
4. Sisälaippa 5. Kara 6. Syvennetty sivu

Terän kiinnitys

VAROITUS: Varmista aina ennen terän asentamista karalle, että sisä- ja ulkolaippojen väliin on asennettu käytettävän terän akselin reikään sopiva rengas. Vääränlaisen renkaan käyttäminen voi aiheuttaa terän virheellisen kiinnityksen, jolloin terä pääsee liikkumaan ja tärisee voimakkaasti, minkä seurauksena voi olla laitehallinnan menetys ja vakava henkilövahinko.

HUOMIO: Varmista, että asennat pyörösahanterän niin, että terässä olevan nuolen suunta on sama kuin terän kotelossa olevan nuolen. Muutoin seurauksena voi olla vakava henkilövahinko ja työkalun ja/tai työkalupalleen vahingoittuminen.

Pyörösahanterän kara-aukon halkaisija voi vaihdella asuinmaasi mukaan. Kiinnitä pyörösahanterä karaan oikeankokoisella renkaalla, jos aukon halkaisija on karan halkaisijaa suurempi.
Asenna pyörösahanterä toimimalla seuraavasti:

1. Aseta pyörösahanterä varovasti sisälaippaan. Varmista, että pyörösahanterän pinnalla olevan nuolen suunta on sama, kuin terän kotelossa olevan nuolen suunta.

► **Kuva42:** 1. Nuoli teräkotelossa 2. Nuoli pyörösahanterässä

2. Asenna ulkolaippa ja kuusiokolopultti ja kiristä sitten kuusiokolopultti tiukasti kääntämällä sitä kuusioavaimella vastapäivään ja pitämällä samalla akselilukkoa painettuna.

Renkaalliset työkalut
(*maakohtainen*)

► **Kuva43:** 1. Kuusiokantapultti (vasenkätinen)
2. Ulkolaippa 3. Pyörösahanterä
4. Rengas 5. Sisälaippa 6. Kara
7. Syvennetty sivu

Renkaaton työkalu
(*maakohtainen*)

► **Kuva44:** 1. Kuusiokantapultti (vasenkätinen)
2. Ulkolaippa 3. Pyörösahanterä
4. Sisälaippa 5. Kara 6. Syvennetty sivu

3. Palauta teräsuojus ja keskikansi alkuperäiseen asentoonsa. Kiristä sitten kuusioruuvia myötöpäivään keskisuojuksen lukitsemiseksi.

4. Vapauta kuljetin nostetusta asennosta vetämällä ja kääntämällä rajoitintappia avatussa asennossa. Laske kuljetin ja varmista, että teräsuojus liikkuu oikein.

▲HUOMIO: Varmista ennen sahausta, että akselilukko on vapauttanut karan.

Pölynimurin kytkeminen

Jos haluat suorittaa sahaustyön siististi, kytke Makita-pölynimuri pölysuuttimeen (ylempään pölyliitäntään) sovitinkappaletta 24 (lisävaruste) käyttämällä.

► **Kuva45:** 1. Sovitinkappale 24 2. Letku 3. Pölynimuri

Pölypussi

▲HUOMIO: Kun teet leikkausta, kiinnitä työkaluun aina pölypussi tai pölynimuri pölyvaarojen välttämiseksi.

Pölypussin ansiosta sahaaminen on siistää ja pölyn kerääminen helppoa. Kiinnitä pölypussi irrottamalla pölynpoistoletku työkalusta ja kytkemällä pölypussi pölysuuttimeen (ylempään pölyliitäntään).

► **Kuva46:** 1. Pölynpoistoletku 2. Pölypussi
3. Pölysuutin (ylempi pölyliitäntä)

Kun pölypussi on täytynyt noin puoleksi, irrota pölypussi työkalusta ja vedä suljin irti. Tyhjennä pölypussin sisältö napauttamalla sitä kevyesti siten, että sisään tarttuneet hiukkaset irtoavat. Näin ne eivät jää haittaamaan tulevaa pölynkeräystä.

► **Kuva47:** 1. Suljin

Työkappaleen kiinnittäminen

▲VAROITUS: Työkappale pitää aina tukeaa asianmukaisesti käyttämällä oikeanlaista puristinta tai reunalistan rajoittimia. Muutoin seurauksena voi olla vakava henkilövahinko ja laitteen ja/tai työkappaleen vahingoittuminen.

▲VAROITUS: Tukijalustaa pidempää työkappaleita sahattaessa materiaali pitää tukeaa koko tukijalustan ylittävältä pituudeltaan siten, että materiaali pysyy samassa tasossa. Työkappaleen asianmukainen tukeminen ehkäisee terän jumitutumisen ja mahdollisen takapotkun, mikä voi aiheuttaa vakavan henkilövahingon. Älä luota yksinomaan pystysuoraan ruuvipuristimeen ja/tai vaakapuristimeen työkappaleen kiinnityksessä. Ohuella materiaalilla on taipumus notkua. Tue työkappaleita koko sen pituudessaan välttääksesi terän jumitutumisen ja mahdollisen TAKAPOTKUN.

► **Kuva48:** 1. Tuki 2. Kääntöalusta

Ohjaukiskot

▲VAROITUS: Varmista ennen laitteen käyttöä, että yläohjaukisko on kiinnitetty luotettavasti paikalleen.

▲VAROITUS: Varmista ennen viistesahausta, ettei laitteen mikään osa, varsinkaan sahanterä kosketa ylempiä ja alempia ohjaukiskkoja kahvan ollessa laskettuna kokonaan alas tai ylös missä tahansa asennossa tai alustan ollessa siirrettyinä ääriasetuntoonsa saakka. Jos laite tai terä osuu ohjaukiskoon, seurauksena voi olla takapotku tai materiaalin odottamaton liike, mikä voi aiheuttaa vakavan henkilövahingon.

Käytä yläohjaukiskkoja materiaalin tukemiseen korkeammalle kuin yläohjaukiskot. Aseta yläohjaukisko alaohjaukiskoon reikään ja kiristä kiristysruuvi.

► **Kuva49:** 1. Yläohjaukisko 2. Alaohjaukisko
3. Kiristysruuvi 4. Säättöruuvi

HUOMAUTUS: Alaohjaukiskot on kiinnitetty alustaan tehtaalla. Älä poista alaohjaukiskkoja.

HUOMAUTUS: Jos yläohjaukisko on edelleen löysä kiristysruuvien kiristämisen jälkeen, kierrä säättöruuvia välyksen poistamiseksi. Säättöruuvi on säädetty tehtaalla. Sinun ei tarvitse käyttää sitä ellei tarvetta ole.

Kun yläohjaukisko ei ole käytössä, sen voi asettaa talteen pidikkeeseen. Kiinnitä yläohjaukisko pidikkeeseen kiinnittimellä.

► **Kuva50:** 1. Pidike 2. Yläohjaukisko 3. Kiinnitin

Pystysuuntainen kappalepuristin

▲VAROITUS: Työkappale on kiinnitettävä puristimella lujasti kääntöalustaa ja ohjaukiskkoja vasten kaikkien toimenpiteiden ajaksi. Jos työkappaleita ei aseteta asianmukaisesti ohjaukiskkoja vasten, materiaali voi päästä liikkumaan sahauksen aikana ja aiheuttaa pyörösaunan vaurioitumisen. Tällöin materiaalia saattaa sinkoutua irti ja työkalun hallintaa voidaan menettää, mistä voi seurata vakava henkilövahinko.

Pystypuristin voidaan asentaa alustan vasemmalle tai oikealle puolelle. Työnnä puristimen tanko alustassa olevaan aukkoon.

► **Kuva51:** 1. Pystypuristin 2. Pystypuristimen aukko
3. Alusta

► **Kuva52:** 1. Puristimen varsi 2. Puristimen tanko
3. Kiristysruuvi 4. Puristimen nappi

Sijoita puristimen varsi työkappaleen paksuuden ja muodon mukaan ja lukitse puristimen varsi kiristämällä ruuvia. Jos kiristysruuvi ottaa kiinni runkoon, asenna pystypuristin alustan vastakkaiselle puolelle. Varmista, ettei työkalun mikään osa kosketa puristinta kahvan ollessa laskettuna täysin alas. Jos jokin osa koskettaa puristinta, sijoita puristin uudestaan. Purista työkappale tukevasti ohjaukiskkoja ja kääntöalustaa vasten. Aseta työkappale haluttuun asentoon ja kiinnitä se tukevasti kiristämällä puristimen nappi.

HUOMAA: Työkappaleen asettamiseksi nopeasti, kierrä puristimen nuppia 90° vastapäivään, jolloin nuppia voidaan liikuttaa ylös ja alas. Lukitse työkappale paikalleen asetuksen jälkeen kiertämällä puristimen nuppia myötöpäivään.

Vaakapuristin

Lisävaruste

VAROITUS: Käännä puristimen mutteria aina myötöpäivään, kunnes työkappale on kiinnitetty luotettavasti paikalleen. Jos työkappaletta ei kiinnitetä asianmukaisesti materiaali voi päästä liikkumaan sahausken aikana aiheuttaen pyörösaunanterän vaurion. Materiaali saattaa myös sinkoutua irti aiheuttaen hallinnan menettämisen, mistä voi seurata vakava henkilövahinko.

VAROITUS: Kiinnitä ohut työkappale, kuten jalkalista ohjauskiskoa vasten aina vaakapuristimen avulla.

HUOMIO: Kun leikkaat 20 mm:n paksuista tai ohuempaa työkappaletta, tue työkappale paikoilleen välikappaleella käyttämällä.

Vaakapenkki voidaan asentaa kääntöjalustan vasemmalle tai oikealle puolelle. Kun teet 22,5° tai suurempia jiirisahauksia, asenna vaakapuristin kääntöjalustan kääntämissuuntaan nähden vastakkaiselle puolelle.

► **Kuva53:** 1. Puristimen levy 2. Puristimen mutteri 3. Puristimen nuppi

Puristin vapautuu käännettäessä puristimen mutteria vastapäivään, jolloin se liikkuu nopeasti sisään ja ulos. Kiinnitä työkappale työntämällä puristimen nuppia eteenpäin, kunnes puristimen levy koskettaa työkappaletta ja kääntämällä puristimen mutteria myötöpäivään. Kierrä sitten puristimen nuppia myötöpäivään työkappaleen kiinnittämiseksi.

HUOMAA: Vaakapuristimeen voi kiinnittää enintään 228 mm leveän työkappaleen.

Pidikkeet

VAROITUS: Kiinnitä pitkät työkappale aina siten, että se on kääntöjalustan yläpinnan kanssa samassa tasossa. Tällä varmistetaan tarkka sahaus ja estetään vaarallinen laitehallinnan menettäminen. Kun tuet työkappaleen asianmukaisesti, vältät terän jumiumutuksen ja mahdollisen takapotkun, joka voi aiheuttaa vakavan henkilövahingon.

VAROITUS: Varmista aina ennen leikkausta, että pidikkeet on kiinnitetty ruuveilla.

Työkalan molemmilla puolilla on pidikkeet pitkän työkappaleen vaakasuorassa asennossa pitämistä varten. Löysää ruuveja ja pidennä pidikkeitä haluttuun pituuteen asti niin, että ne tukevat työkappaletta. Kiristä sitten ruuvit.

► **Kuva54:** 1. Pidikkeet 2. Ruuvi

Aseta työkappale leikattaessa tasaisesti ohjauskiskoja vasten.

► **Kuva55:** 1. Ohjauskisko 2. Pidike

Pohja-alusta

Lisävaruste

VAROITUS: Kiinnitä pitkät työkappale aina siten, että se on kääntöjalustan yläpinnan kanssa samassa tasossa. Tällä varmistetaan tarkka sahaus ja estetään vaarallinen laitehallinnan menettäminen. Kun tuet työkappaleen asianmukaisesti, vältät terän jumiumutuksen ja mahdollisen takapotkun, joka voi aiheuttaa vakavan henkilövahingon.

VAROITUS: Varmista aina ennen leikkausta, että pohja-alusta on kiinnitetty ruuveilla.

HUOMAA: Katso tarkemmat ohjeet valinnaisen pohja-alustan ohjeista.

Valinnaisen pohja-alustan asentaminen alustaan auttaa pitämään pitkät työkappaleet turvallisesti paikallaan. Löysää ruuvia ja pidennä pohja-alusta haluttuun pituuteen asti niin, että se tukee työkappaletta. Kiristä sitten ruuvi.

► **Kuva56:** 1. Pohja-alusta 2. Ruuvi

Aseta työkappale leikattaessa ohjauskiskoa ja pohja-alustan apuohjainta vasten.

► **Kuva57:** 1. Ohjauskisko 2. Apuohjain 3. Pohja-alusta

Apuohjaimen säätäminen

Pohja-alustan apuohjainta on säädettävä, jos se ei ole tasassa ohjauskiskon kanssa.

1. Löysää apuohjaimen kiinnityspultteja kuusioavaimella.
 2. Aseta suora ja jäykkä tanko, kuten suorakulmainen teräskappale, ohjauskiskoa vasten.
 3. Varmista, että tanko pysyy ohjauskiskoa vasten ja aseta apuohjain sitten tankoa vasten. Kiristä sitten pultit.
- **Kuva58:** 1. Pultti 2. Apuohjain 3. Ohjauskisko 4. Jäykkä tanko

TYÖSKENTELY

Tämä laite on tarkoitettu puutuotteiden leikkaamiseen. Käyttämällä asianmukaisia aitoja Makita-sahanteriä on mahdollista sahata myös seuraavia materiaaleja:

— alumiini tuotteet

Tarkista leikattavalle materiaalille sopivat pyörösaunanterät verkkosivuiltamme tai ottamalla yhteyttä paikalliseen Makita-jälleenmyyjään.

VAROITUS: Varmista ennen kytkimen käyttämistä, että sahanterää ei kosketa työkappaletta tms. Jos laitteeseen kytketään virta terän koskettaessa työkappaletta, seurauksena voi olla takapotku ja vakava henkilövahinko.

VAROITUS: Kun olet lopettanut sahaamisen, älä nosta sahanterää ylös, ennen kuin se on kokonaan pysähtynyt. Jos terä nostetaan sen vielä pyöriessä, seurauksena voi olla vakava henkilövahinko ja työkappaleen vahingoittuminen.

VAROITUS: Älä suorita mitään säätöjä kuten, kahvan, nupin ja vipujen kääntämistä laitteessa sahanterän edelleen pyöriessä. Terän pyörimisen aikana suoritettu säätö voi aiheuttaa vakavan henkilövahingon.

HUOMAUTUS: Varmista ennen käyttöä, että vapauta rajoitintapin ja kahvan ala-asennostaan.

HUOMAUTUS: Älä sovella liikaa painetta kahvaan leikatessa. Liiallinen painaminen voi ylikuormittaa moottoria ja/tai heikentää sahaustehoa. Paina kahvaa vain sen verran kun on tarpeen, jotta sahaus sujuu tasaisesti ilman, että terän nopeus laskee merkittävästi.

HUOMAUTUS: Saha painamalla kahvaa kevyesti alas. Jos kahvaa painetaan voimakkaasti tai sitä painetaan sivusuunnassa, terä saattaa alkaa väristä jättäen jäljen (sahaus-) työkalupaleeseen ja sahauksen tarkkuus voi kärsiä.

HUOMAUTUS: Paina liukusahauksen aikana alustaa varovaisesti ohjauskiskoa kohti ilman pysäytyksiä. Jos alustan liike pysäytetään sahauksen aikana, työkalupaleeseen jää jälki ja sahaustarkkuus huononee.

Aukkosahaus

VAROITUS: Lukitse aina alustan liukuliike, painosahauksen yhteydessä. Sahaus ilman riittävää lukitusruuvin kiristämistä voi aiheuttaa takapotkun, jonka seurauksena voi olla vakava henkilövahinko.

Enintään 68 mm korkeita ja 160 mm leveitä työkalupaleita voidaan sahata seuraavalla tavalla.

► **Kuva59:** 1. Rajoitintappi

1. Työnnä alusta ohjauskiskoa vasten, kunnes se pysähtyy ja lukitse se rajoitintapilla.
2. Tue työkalupale paikalleen oikeanlaisella ruuvinpuristimella.
3. Käynnistä työkalu niin, ettei pyörösahanterä osu mihinkään, ja odota, että pyörösahanterä on saavuttanut täyden nopeuden ennen kuin alat laskea sitä.
4. Alenna sitten hellävaraisesti kahvaa täysin alennettuun asentoon työkalupaleen sahaamista varten.
5. Kun leikkaus on valmis, kytke työkalu pois päältä ja odota, kunnes pyörösahanterä on täysin pysähtynyt ennen kuin nostat pyörösahanterän täysin kohotettuun asentoonsa.

Liukusahaus (työntö) (leveiden työkalupaleiden sahaus)

VAROITUS: Vedä työntösahausta tehdessäsi kuljetin aina ensin kokonaan itseesi päin ja paina kahva kokonaan alas. Työnnä kuljetin sitten kohti sahausvastetta. **ÄLÄ KOSKAAN ALOITA SAHAUSTA, ELLEI KELKKA OLE KOKONAAN VEDETTYÄNÄ ITSEESI PÄIN.** Jos työntösahaat ilman, että kuljetin on vedetty kokonaan itseesi päin, seurauksena voi olla odottamaton takapotku, mikä voi aiheuttaa vakavan henkilövahingon.

VAROITUS: Älä koskaan sahaa vetämällä kelkkaa itseesi päin. Jos vedät kuljetinta sahattaessa itseesi päin, seurauksena voi olla odottamaton takapotku, mikä voi aiheuttaa vakavan henkilövahingon.

VAROITUS: Älä koskaan työntösahaa, kun kahva on lukittu ala-asentoon.

► **Kuva60:** 1. Rajoitintappi

1. Löysäytä rajoitintappia niin, että alusta pääsee liukumaan vapaasti.
2. Tue työkalupale paikalleen oikeanlaisella ruuvinpuristimella.
3. Vedä kuljetin kokonaan itseesi päin.
4. Käynnistä laite ilman, että sahanterä osuu mihinkään, ja odota, että sahanterä on saavuttanut täyden nopeuden.
5. Paina kahva alas ja **työnnä kuljetinta kohti sahausvastetta työkalupaleen läpi.**
6. Kun leikkaus on valmis, kytke laite pois päältä ja odota, kunnes sahanterä on täysin pysähtynyt ennen kuin nostat terän täysin kohotettuun asentoonsa.

Jiirisahaus

Lisätietoja on jiirikulman säätämistä käsittelevässä kohdassa.

Viisteitusleikkaus

VAROITUS: Kun olet asettanut terän viistesahausta varten, varmista, että alusta ja sahanterä liikkuvat vapaasti koko sahauspituudella ennen laitteen käyttöä. Jos alusta tai terän liike pysähtyy sahaamisen aikana, seurauksena voi olla takapotku ja vakava henkilövahinko.

VAROITUS: Pidä kätesi poissa sahanterän tieltä viistesahauksen aikana. Terän kulma saattaa sahattaessa aiheuttaa terän liikeradan virhearvoinnin, mistä seuraa vakava henkilövahinko.

VAROITUS: Sahanterän saa nostaa vasta, kun se on täysin pysähtynyt. Irti sahattu kappale saattaa painua sahanterää vasten viistesahauksen aikana. Jos terää nostetaan sen pyöriessä, sahattu kappale saattaa sinkoutua irti terästä ja aiheuttaa materiaalin rikkoutumisen ja sen seurauksena vakavan henkilövahingon.

HUOMAUTUS: Kun painat alas kahvaa, käytä painetta rinnakkain terän kanssa. Sahaustarkkuus heikkenee, jos voima kohdistetaan kohtisuorasti kääntöalustaan tai jos paineen suuntaa muutetaan sahauksen aikana.

► **Kuva61**

1. Irrota yläohjauskisko siltä puolelta, mille alusta kallistetaan.
2. Vapauta rajoitintappi.
3. Säädä viistekulma viistekulman säätämistä käsittelevän osion ohjeiden mukaisesti. Kiristä sitten nuppi.
4. Kiinnitä työkalupale puristimella.
5. Vedä kuljetin kokonaan itseesi päin.
6. Käynnistä kone ilman, että terä osuu mihinkään, ja odota, että terä on saavuttanut täyden nopeuden.
7. Paina sitten varovasti sahanterä täysin ala-asentoon terän suuntaisesti ja **työnnä terää sahausvastetta kohti työkalupaleen leikkaamiseksi.**
8. Kun leikkaus on valmis, kytke laite pois päältä ja odota, kunnes terä on täysin pysähtynyt ennen kuin nostat terän täysin kohotettuun asentoonsa.

Yhdistelmäsahaus

Yhdistetyssä sahausessa työkappaleeseen tehdään samanaikaisesti viiste- ja jiirisahausta. Yhdistetty sahaus voidaan tehdä oikeisen taulukon osoittamissa kulmissa.

Jiirikulma	Kallistuskulma
Vasen ja oikea 0° - 45°	Vasen ja oikea 0° - 45°

Kun teet yhdistelmäsaahausta, katso aukkosahausta, liukusahausta (työntö), jiirisahausta ja viistesahausta käsittelevät ohjeet.

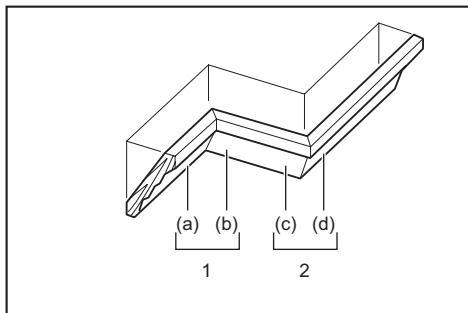
Kruunumallisten ja koverien reunalistojen sahaus

Kruunumalliset ja koverat reunalistat voidaan sahata yhdistelmäjiirisahalla asettamalla listat vaakatasoon kääntölevylle.

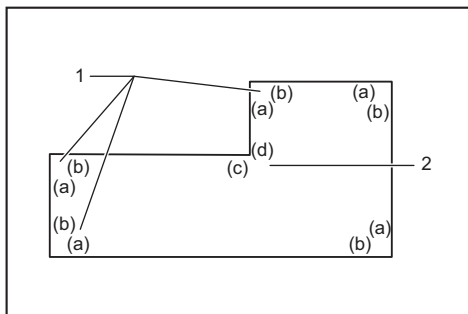
Kruunumallisten reunalistojen yleisesti käytettyjä tyyppejä on kaksi ja koverien reunalistojen tyyppejä yksi; 52/38° kruunumallinen seinämäkulma, 45° kruunumallinen seinämäkulma ja 45° kovera seinämäkulma.

► **Kuva62:** 1. 52/38°-tyypin reunalista 2. 45°-tyypin reunalista 3. 45°-tyypin kovera lista

Kruunumalliset ja koverat liitokset, jotka tehdään sopiviksi 90°-kulman "sisälle" ((a) (b) kuvassa) tai 90°-kulman "ulkopuolelle" ((c) ja (d) kuvassa).



1. Sisäkulma 2. Ulkokulma



1. Sisäkulma 2. Ulkokulma

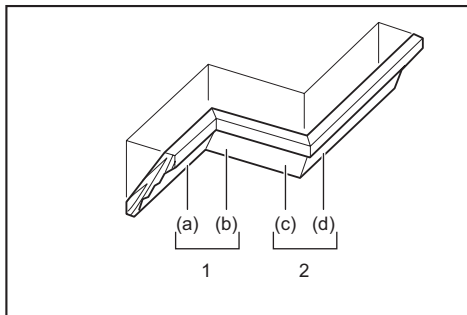
Mittaus

Mittaa seinän leveys ja leveyden säätämiseksi työkappaleen sen mukaan. Varmista aina, että työkappaleen seinän kosketusreunan leveys on sama kuin seinän pituus.

► **Kuva63:** 1. Työkappale 2. Seinän leveys 3. Työkappaleen leveys 4. Seinän kosketusreuna

Käytä aina useita testisahausta sahauskulmien tarkistamiseen. Aseta kruunumallisia ja koveria reunalistoja sahatessa viistekulma ja jiirisahauskulma taulukon (A) mukaisesti ja aseta listat sahausalustalle taulukon (B) mukaisesti.

Kun kyseessä on vasemmanpuoleinen viistesahaus



1. Sisäkulma 2. Ulkokulma

Taulukko (A)

-	Kuvassa reunan muoto-asento	Kallistuskulma		Jiirikulma	
		52/38°-tyyppi	45°-tyyppi	52/38°-tyyppi	45°-tyyppi
Sisäkulmaan	(a)	Vasen 33,9°	Vasen 30°	Oikea 31,6°	Oikea 35,3°
	(b)			Vasen 31,6°	Vasen 35,3°
Ulkokulmaan	(c)			Oikea 31,6°	Oikea 35,3°
	(d)				

Taulukko (B)

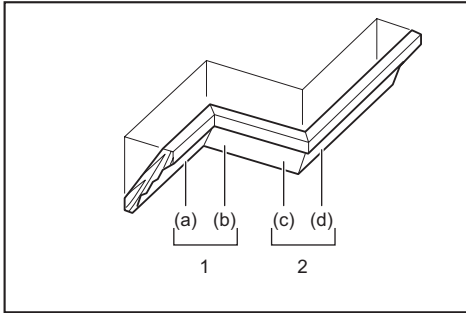
-	Kuvassa reunan muotoasento	Reunan muoto sahausvastetta vasten	Valmis kappale
Sisäkulmaan	(a)	Katon kosketusreunan tulee olla sahausvastetta vasten.	Valmis kappale tulee terän vasemmalle puolelle.
	(b)	Seinän kosketusreunan tulee olla sahausvastetta vasten.	
Ulkokulmaan	(c)	Katon kosketusreunan tulee olla sahausvastetta vasten.	Valmis kappale tulee terän oikealle puolelle.
	(d)	Katon kosketusreunan tulee olla sahausvastetta vasten.	

Esimerkki:

Kun kyseessä on 52/38° kruunumallisen reunalistan sahaus asentoon (a) kuvan yllä:

- Kallista ja lukitse kallistuskulma-asetukseksi 33,9° VASEN.
- Säädä ja lukitse jiirisahauskulma-asetukseksi 31,6° OIKEA.
- Aseta kruunulista leveä selkäpuoli (piilossa) alaspäin kääntölevylle siten, että SISÄKATTOA KOSKETTAVA REUNA tulee sahan sahausvas-tetta vasten.
- Valmis kappale tulee sahausken jälkeen aina terän VASEMMALLE puolelle.

Kun kyseessä on oikeanpuoleinen viistesahaus



1. Sisäkulma 2. Ulkokulma

Taulukko (A)

–	Kuvassa reunan muoto-asento	Kallistuskulma		Jiirikulma	
		52/38° -tyyppi	45° -tyyppi	52/38° -tyyppi	45° -tyyppi
Sisäkulmaan	(a)	Oikea 33,9°	Oikea 30°	Oikea 31,6°	Oikea 35,3°
	(b)			Vasen 31,6°	Vasen 35,3°
Ulkokulmaan	(c)			Oikea 31,6°	Oikea 35,3°
	(d)				

Taulukko (B)

–	Kuvassa reunan muotoasento	Reunan muoto sahausvas-tetta vasten	Valmis kappale
Sisäkulmaan	(a)	Seinän kosketusreunan tulee olla ohjauskiskoa vasten.	Valmis kappale tulee terän oikealle puolelle.
	(b)	Katon kosketusreunan tulee olla ohjauskiskoa vasten.	
Ulkokulmaan	(c)	Seinän kosketusreunan tulee olla ohjauskiskoa vasten.	Valmis kappale tulee terän vasemmalle puolelle.
	(d)	Seinän kosketusreunan tulee olla ohjauskiskoa vasten.	

Esimerkki:

Kun kyseessä on 52/38° kruunumallisen reunalistan sahaus asentoon (a) kuvan yllä:

- Kallista ja lukitse viistekulma asetus 33,9° OIKEA.
- Säädä ja lukitse jiirisahauskulma-asetukseksi 31,6° OIKEA.
- Aseta reunalista leveä selkäpuoli (piilossa) alaspäin kääntöalustalle niin, että SEINÄÄ KOSKETTAVA REUNA tulee ohjauskiskoa vasten.
- Valmis kappale tulee sahausken jälkeen aina terän OIKEALLE puolelle.

Reunalistan rajoitin

Lisävaruste

Reunalistan rajoittimet helpottavat reunalistojen sahausta, koska sahanterää ei tarvitse kallistaa. Asenna ne kääntöalustalle kuvassa esitetyllä tavalla.

45° jiirisahauskulmassa oikealle

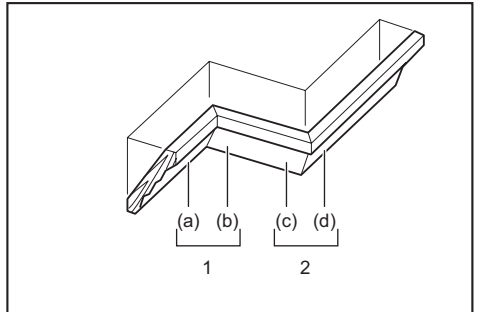
- **Kuva64:** 1. Reunalistan rajoitin V 2. Reunalistan rajoitin O 3. Kääntöalusta 4. Ohjauskisko

45° jiirisahauskulmassa vasemmalle

- **Kuva65:** 1. Reunalistan rajoitin V 2. Reunalistan rajoitin O 3. Kääntöalusta 4. Ohjauskisko

Aseta reunalista siten, että sen SEINÄÄ KOSKETTAVA REUNA tulee ohjauskiskoa vasten ja SISÄKATTOA KOSKETTAVA REUNA reunalistan rajoittimia vasten kuvassa esitetyllä tavalla. Säädä reunalistan rajoittimia reunalistan koon mukaan. Tue reunalistan rajoittimet paikalleen kiristämällä ruuvit. Katso jiirisahauskulma taulukosta (C).

- **Kuva66:** 1. Ohjauskisko 2. Reunalistan rajoitin



1. Sisäkulma 2. Ulkokulma

Taulukko (C)

–	Kuvassa reunan muotoasento	Jiirikulma	Valmis kappale
Sisäkulmaan	(a)	Oikea 45°	Säilytä terän oikea puoli
	(b)	Vasen 45°	Säilytä terän vasen puoli
Ulkokulmaan	(c)		Säilytä terän oikea puoli
	(d)	Oikea 45°	Säilytä terän vasen puoli

Alumiinisten puristetankojen sahaaminen

- **Kuva67:** 1. Ruuvipuristin 2. Välikappale
3. Sahausvaste 4. Alumiininen puristetanko 5. Välikappale

Kun kiinnität alumiinisia puristetankoja, estä alumiinin vääntyminen käyttämällä välikkeitä tai jätetaloja kuvan osoittamalla tavalla. Käytä sahausöljyä alumiinisia puristetankoja leikattaessa, sillä se ehkäisee alumiinin kertymistä pyörösahanterään.

VAROITUS: Älä koskaan sahaa paksuja tai pyöreitä alumiinisia puristetankoja. Paksua tai pyöreää alumiinitankoa voi olla vaikea kiinnittää tukevasti, ja se saattaa irrota kesken sahausksen, mikä voi aiheuttaa vakavan henkilövahingon.

Uran leikkaus

VAROITUS: Älä tee tällaista sahausta leveällä terällä tai dado-terällä. Urasahausten tekeminen leveällä terällä tai dado-terällä saattaa huonontaa sahausjälkeä ja aiheuttaa takapotkun, josta voi seurata vakava henkilövahinko.

VAROITUS: Varmista, että palautat pysäytinvarren alkuperäiseen asentoonsa, kun teet muuta, kuin uran leikkaamisen. Sahaamisen aloittaminen rajoitinvarren ollessa väässä asennossa voi huonontaa sahausjälkeä ja aiheuttaa takapotkun, josta voi seurata vakava henkilövahinko.

Toimi seuraavasti dado-typin sahausksen toteuttamiseksi:

1. Säädä pyörösahanterän alempi raja-asento säätöruuvia käyttäen ja käytä lukitusvartta pyörösahanterän leikkauksyyvyyden rajoittamiseksi. Lisätietoja on lukitusvarrtta käsittelevässä osiossa.
2. Pyörösahanterän alemman raja-asennon säätämisen jälkeen leikkaa rinnakkaiset urat työkappaleen leveyttä pitkin liukuleikkausta (työntö) käyttäen kuvan osoittamalla tavalla.
► **Kuva68:** 1. Leikkaa urat terällä
3. Poista sitten työkappaleen materiaali urien välistä taltalla.

Koneen kantaminen

Tarkasta ennen työkalun kantamista, että akkupaketti on irrotettu ja kaikki jiirisahan liikkuvat osat on kiinnitetty paikalleen. Tarkasta aina seuraavat asiat:

- Akkupaketti on irrotettu.
- Alusta on 0° viistekulmassa lukittuna.
- Alusta on laskettu alas ja lukittu.
- Alusta on täysin kiinni sahausvasteissa ja lukittuna.
- Kääntöalusta on oikeassa jiirikulmassa ja lukittuna.
- Pidikkeet ovat tallessa paikoilleen kiinnitettyinä.

Kuljeta työkalua siten, että pidät työkalun alustan kumipaakin puolta kuvan osoittamalla tavalla.

► **Kuva69**

VAROITUS: Alustan noston rajoitintapit ovat tarkoitettu ainoastaan kuljetukseen ja varastointiin, eivätkä sahaustoimintoihin. Rajoitintapin käyttäminen sahattaessa saattaa liikuttaa pyörösahanterää odottamattomalla tavalla, mikä voi aiheuttaa takapotkun ja vakavan henkilövahingon.

HUOMIO: Kiinnitä kaikki liikkuvat osat paikalleen aina ennen työkalun kuljetusta. Jos työkalun osat pääsevät liikkumaan siirtämisen aikana, seurauksena saattaa olla loukkaantuminen horjuttamisen ja tasapainon menettämisen seurauksena.

HUOMIO: Varmista, että kuljettimen nosto on lukittu oikein pohjastaan rajoitintapilla. Jos rajoitintappia ei ole kytketty oikein, kuljetin voi ponnahtaa ylös äkkinäisesti ja aiheuttaa henkilövahingon.

LANGATON AKTIVOINTITOIMINTO

Mitä langattomalla aktivointitoiminnolla voi tehdä

Langaton aktivointitoiminto mahdollistaa puhtaan ja miellyttävän käyttötoiminnan. Liittämällä tuettu pölynimuri laitteeseen, voit käyttää pölynimuria automaattisesti yhdessä laitteen kytkintöiminnon kanssa.

► **Kuva70**

Langattoman aktivointitoiminnon käyttämiseksi valmiitele seuraavat kohdat:

- Langaton yksikkö (lisävaruste)
- Pölynimuri, joka tulee langattonta aktivointitoimintoa

Langattoman aktivointitoiminnon asetuksen kuvaus on seuraavana. Katso jokaisen osion yksityiskohtaiset ohjeet.

1. Langattoman yksikön asennus
2. Laitteen rekisteröinti pölynimurille
3. Langattoman aktivointitoiminnon aloitus

Langattoman yksikön asennus

Lisävaruste

HUOMIO: Aseta laite tasaisen ja vakaan pinnan päälle langattoman yksikön asentamiseksi.

HUOMAUTUS: Puhdista laitteesta pöly ja lika ennen langattoman yksikön asentamista. Pöly ja lika voivat aiheuttaa käyttöhäiriöitä päästessään langattoman yksikön uraan.

HUOMAUTUS: Staattisuudesta aiheutuvien käyttöhäiriöiden estämiseksi kosketa staattisesti purkautuvaa materiaalia, kuten laitteen metalliosia ennen langattoman yksikön nostamista.

HUOMAUTUS: Varmista aina langattoman yksikön asennuksen aikana, että langaton yksikkö on liitetty oikeassa suunnassa ja kansi on suljettu täysin kiinni.

1. Avaa laitteen kansi kuvan osoittamalla tavalla.

► **Kuva71:** 1. Kansi

2. Liitä langaton yksikkö uraan ja tämän jälkeen sulje kansi.

Langattoman yksikön liittämisen aikana kohdista kielekkeet uran loviosioihin.

► **Kuva72:** 1. Langaton yksikkö 2. Kieleke 3. Kansi 4. Loviosio

Avaa kansi hitaasti langattoman yksikön irrottamisen aikana. Kannen takana olevat koukut nostavat langattoman yksikön ylös samalla kun nostat kannen ylös.

► **Kuva73:** 1. Langaton yksikkö 2. Koukku 3. Kansi

Säilytä langatonta yksikköä mukana toimitetussa kotelossa tai ei staattisessa säiliössä sen irrottamisen jälkeen.

HUOMAUTUS: Käytä aina kannen takana olevia koukkuja langattoman yksikön irrottamisen aikana. Jos koukut eivät tartu langattomaan yksikköön, sulje kansi täysin kiinni ja avaa se hitaasti uudelleen.

Laitteen rekisteröinti pölynimurille

HUOMAA: Makita pölynimuri tukee langatonta aktivointitoimintoa, joka vaaditaan laiterekisteröintiä varten.

HUOMAA: Viimeistelemättä langattoman yksikön asennuslaitteeseen ennen laiterekisteröinnin aloittamista.

HUOMAA: Vältä käyttämästä seuraavia kytkimiä työkalun rekisteröimisen aikana:

- työkalun liipaisinkytkin
- työkalun imurikytkin
- pölynimurin virtakytkin

HUOMAA: Katso lisätietoja myös pölynimurin käyttöohjeesta.

Jos haluat aktivoida pölynimurin yhdessä laitteen kytkintöiminnön kanssa, viimeistelemättä laiterekisteröintiä ensin.

1. Asenna akut pölynimuriin ja laitteeseen.

2. Aseta pölynimurin valmiustilan kytkin asentoon "AUTO".

► **Kuva74:** 1. Valmiustilan kytkin

3. Paina pölynimurin langatonta aktivointipainiketta noin 3 sekunnin ajan, kunnes langattoman aktiivoinnin merkkivalo vilkkuu vihreänä. Ja tämän jälkeen paina laitteen langatonta aktivointipainiketta samalla tavalla.

► **Kuva75:** 1. Langaton aktivointipainike
2. Langattoman aktiivoinnin merkkivalo

Jos pölynimuri ja laite kytketään oikein, langattoman aktiivoinnin merkkivalo palaa vihreänä 2 sekunnin ajan ja vilkkuu tämän jälkeen sinisenä.

HUOMAA: Langattoman aktiivoinnin merkkivalo lopettaa vilkkumisen vihreänä 20 sekunnin kuluttua. Paina laitteen langatonta aktivointipainiketta samalla kun imurin langattoman aktiivoinnin merkkivalo vilkkuu. Jos langattoman aktiivoinnin merkkivalo ei vilku vihreänä, paina langatonta aktivointipainiketta lyhyesti ja pidä sitä painettuna alas.

HUOMAA: Suoritettaessa kaksi tai useampaa laiterekisteröintiä yhdelle pölynimurille, lopeta laiterekisteröinti yksi kerrallaan.

Langattoman aktivointitoiminnon aloitus

HUOMAA: Viimeistelemättä laiterekisteröintiä pölynimurille ennen langatonta aktivointia.

HUOMAA: Katso lisätietoja myös pölynimurin käyttöohjeesta.

Kun työkalu on rekisteröity pölynimurille, pölynimuri toimii automaattisesti yhdessä työkalun kytkintöiminnön kanssa. Pölynimuri alkaa toimia käytön aikana, kun painat työkalun liipaisinkytkintä. Pölynimuri alkaa toimia myös, vaikka leikkaustoimintoja ei suoritettaisi, kun painat työkalun imuripainiketta.

► **Kuva76**

1. Langattoman yksikön asennuslaitteeseen.

2. Kiinnitä pölynimurin letku laitteeseen.

► **Kuva77**

3. Aseta pölynimurin valmiustilan kytkin asentoon "AUTO".

► **Kuva78:** 1. Valmiustilan kytkin

4. Paina laitteen langatonta aktivointipainiketta lyhyesti. Langattoman aktiivoinnin merkkivalo vilkkuu sinisenä.

► **Kuva79:** 1. Langaton aktivointipainike
2. Langattoman aktiivoinnin merkkivalo

5. Paina laitteen liipaisinkytkintä. Tarkasta, onko pölynimuri käynnissä samalla kun liipaisinkytkintä pidetään painettuna.

6. Kytke pölynimuri päälle painamalla imuripainiketta. Tarkista, syttykö langattoman aktiivoinnin merkkivalo palaamaan sinisenä ja pysykö pölynimuri käynnissä, kunnes painat painiketta uudelleen.

7. Lopeta pölynimurin toiminta joko vapauttamalla liipaisinkytkin tai painamalla imuripainiketta uudelleen. Pölynimuri lakkaa toimimasta muutaman sekunnin kuluttua kytkimen käytön jälkeen ja merkkivalo alkaa vilkkua sinisenä.

HUOMAA: Kytkimen tilan (pölynimuri päällä / pois päältä) voi tunnistaa langattoman aktiivoinnin merkkivalosta. Lisätietoja on langattoman aktiivoinnin merkkivalon tilan kuvausta käsittelevässä osiossa.

8. Lopeta pölynimurin langaton aktivointi painamalla laitteen langatonta aktivointipainiketta.

HUOMAA: Laitteen langattoman aktiivoinnin merkkivalo lopettaa vilkkumisen sinisenä, jos mitään toimintoa ei ole suoritettu 2 tunnin aikana. Tässä tapauksessa aseta pölynimurin valmiustilan kytkin asentoon "AUTO" ja paina uudelleen laitteen langatonta aktivointipainiketta.

HUOMAA: Pölynimuri käynnistyy/sammuu viiveellä. Käytössä on aikaviive kun pölynimuri tunnistaa laitteen kytkintöiminnön.

HUOMAA: Langattoman yksikön lähetysäisyys voi vaihdella riippuen sijainnista ja ympäristön olosuhteista.

HUOMAA: Jos kaksi tai useampia työkalu rekisteröidään yhdelle pölynimurille, pölynimuri voi aloittaa toiminnan, vaikka et olisi painanut liipaisinkytkintä tai käyttänyt imuripainiketta, jos toinen käyttäjä käyttää langatonta aktivointitoimintoa.

Langattoman aktiivoinnin merkkivalon tilan kuvaus

► Kuva80: 1. Langattoman aktiivoinnin merkkivalo

Langattoman aktiivoinnin merkkivalo osoittaa langattoman aktiivointitoiminnon tilan. Katso merkkivalon tilaa koskeva tarkoitus alapuolella olevasta taulukosta.

Tila	Langattoman aktiivoinnin merkkivalo				Kuvaus
	Väri	<input type="checkbox"/> Päällä	<input type="checkbox"/> Vilkkuu	Kesto	
Valmiustila	Sininen	<input checked="" type="checkbox"/>		2 tuntia	Pölynimurin langaton aktiivointi on käytettävissä. Merkkivalo sammuu automaattisesti jos mitään toimintaa ei ole suoritettu 2 tunnin aikana.
		<input type="checkbox"/>		Kun laite on käynnissä.	Pölynimurin langaton aktiivointi on käytettävissä ja laite on käynnissä.
Laiterekisteröinti	Vihreä	<input checked="" type="checkbox"/>		20 sekuntia	Valmis laiterekisteröintiä varten. Odottaa rekisteröintiä pölynimurilta.
		<input type="checkbox"/>		2 sekuntia	Laiterekisteröinti on valmis. Langattoman aktiivoinnin merkkivalo vilkkuu sinisenä.
Laiterekisteröinnin peruutus	Punainen	<input checked="" type="checkbox"/>		20 sekuntia	Valmis laiterekisteröinnin peruutukseen. Odottaa peruutusta pölynimurilta.
		<input type="checkbox"/>		2 sekuntia	Laiterekisteröinnin peruutus on valmis. Langattoman aktiivoinnin merkkivalo vilkkuu sinisenä.
Muut	Punainen	<input type="checkbox"/>		3 sekuntia	Langattomalle yksikölle syötetään virtaa ja langaton aktiivointitoiminto käynnistyy.
	Pois päältä	-		-	Pölynimurin langaton aktiivointi on pysäytetty.

Laiterekisteröinnin peruutus pölynimurille

Suorita seuraavat toimenpiteet peruuttaessasi laiterekisteröinnin pölynimurille.

1. Asenna akut pölynimuriin ja laitteeseen.
2. Aseta pölynimurin valmiustilan kytkin asentoon "AUTO".

► Kuva81: 1. Valmiustilan kytkin

3. Paina pölynimurin langatonta aktiivointipainiketta 6 sekunnin ajan. Langattoman aktiivoinnin merkkivalo vilkkuu vihreänä ja tämän jälkeen punaisena. Tämän jälkeen paina laitteen langatonta aktiivointipainiketta samalla tavalla.

► Kuva82: 1. Langaton aktiivointipainike 2. Langattoman aktiivoinnin merkkivalo

Jos peruutus suoritetaan oikein, langattoman aktiivoinnin merkkivalo palaa punaisena 2 sekunnin ajan ja vilkkuu tämän jälkeen sinisenä.

HUOMAA: Langattoman aktiivoinnin merkkivalo lopettaa vilkkumisen punaisena 20 sekunnin kuluttua. Paina laitteen langatonta aktiivointipainiketta samalla kun imurin langattoman aktiivoinnin merkkivalo vilkkuu. Jos langattoman aktiivoinnin merkkivalo ei vilku punaisena, paina langatonta aktiivointipainiketta lyhyesti ja pidä sitä painettuna alas.

Langattoman aktivointitoiminnon vianetsintä

Tarkista laite ensin itse, ennen kuin viet sen korjattavaksi. Jos ongelmaan ei löydy ratkaisua käyttöoppaasta, älä kuitenkaan yritä purkaa työkalua osiin. Vie ota sen sijaan yhteyttä Makita-huoltoilikkeeseen. Käytä korjaamiseen aina alkuperäisiä Makita-varaosia.

Epänormaali tila	Todennäköinen syy (toimintahäiriö)	Korjaus
Langattoman aktivoinnin merkivalo ei pala/vilkuu.	Langatonta yksikköä ei ole asennettu laitteeseen. Langaton yksikkö on asennettu virheellisesti laitteeseen.	Asenna langaton yksikkö oikein.
	Langattoman yksikön liitäntä ja/tai ura on likainen.	Pyyhi langattoman yksikön liitäntä varovaisesti pölystä ja liasta ja puhdista ura.
	Laitteen langatonta aktivointipainiketta ei ole painettu.	Paina laitteen langatonta aktivointipainiketta lyhyesti.
	Pölynimurin valmiustilan kytkintä ei ole asetettu asentoon "AUTO".	Aseta pölynimurin valmiustilan kytkin asentoon "AUTO".
	Ei virransyöttöä	Syötä virtaa laitteelle ja pölynimurille.
Laiterekisteröintiä/laiterekisteröinnin peruutusta ei voi viimeistellä oikein.	Langatonta yksikköä ei ole asennettu laitteeseen. Langaton yksikkö on asennettu virheellisesti laitteeseen.	Asenna langaton yksikkö oikein.
	Langattoman yksikön liitäntä ja/tai ura on likainen.	Pyyhi langattoman yksikön liitäntä varovaisesti pölystä ja liasta ja puhdista ura.
	Pölynimurin valmiustilan kytkintä ei ole asetettu asentoon "AUTO".	Aseta pölynimurin valmiustilan kytkin asentoon "AUTO".
	Ei virransyöttöä	Syötä virtaa laitteelle ja pölynimurille.
	Virheellinen toiminta	Paina langatonta aktivointipainiketta lyhyesti ja suorita laiterekeröinti/peruutus uudelleen.
	Laite ja pölynimuri ovat kaukana toisistaan (lähetyalueen ulkopuolella).	Siirrä laite ja pölynimuri lähemmäksi toisiaan. Maksimilähetysetäisyys on noin 10 m, mutta se voi kuitenkin vaihdella olosuhteista riippuen.
	Varmista ennen työkalun rekisteröinnin/peruutuksen tekemistä, että - työkalun liipaisinkytkin on painettuna - työkalun imuripainike on kytketty päälle tai - pölynimurin virtakytkin on kytketty päälle.	Paina langatonta aktivointipainiketta lyhyesti ja suorita laiterekeröinti/peruutus uudelleen.
Laiterekisteröintiä laitteelle tai pölynimurille ei ole viimeistely.	Suorita laiterekeröinti sekä laitteelle että pölynimurille samanaikaisesti.	
Muiden laitteiden aiheuttama radiohäiriö voi muodostaa erittäin voimakkaita radioaaltoja.	Pidä laite ja pölynimuri kaukana laitteista, kuten Wi-Fi-laitteet ja mikroaaltouunit.	
Pölynimuri ei toimi yhdessä laitteen kytkintöiminnon kanssa.	Langatonta yksikköä ei ole asennettu laitteeseen. Langaton yksikkö on asennettu virheellisesti laitteeseen.	Asenna langaton yksikkö oikein.
	Langattoman yksikön liitäntä ja/tai ura on likainen.	Pyyhi langattoman yksikön liitäntä varovaisesti pölystä ja liasta ja puhdista ura.
	Laitteen langatonta aktivointipainiketta ei ole painettu.	Paina langatonta aktivointipainiketta lyhyesti ja varmista, että langattoman aktivoinnin merkivalo vilkkuu sinisenä.
	Pölynimurin valmiustilan kytkintä ei ole asetettu asentoon "AUTO".	Aseta pölynimurin valmiustilan kytkin asentoon "AUTO".
	Yli 10 laitetta on rekisteröity pölynimurille.	Suorita laiterekeröinti uudelleen. Jos yli 10 laitetta on rekisteröity pölynimurille, aikaisemmin rekisteröity laite peruutetaan automaattisesti.
	Pölynimuri ei ole onnistunut rekisteröimään työkaluja oikein.	Uusi työkalurekisteröinnit.
	Pölynimuri poistaa kaikki laiterekeröinnit.	Suorita laiterekeröinti uudelleen.
	Ei virransyöttöä	Syötä virtaa laitteelle ja pölynimurille.
	Laite ja pölynimuri ovat kaukana toisistaan (lähetyalueen ulkopuolella).	Siirrä laite ja pölynimuri lähemmäksi toisiaan. Maksimilähetysetäisyys on noin 10 m, mutta se voi kuitenkin vaihdella olosuhteista riippuen.
	Muiden laitteiden aiheuttama radiohäiriö voi muodostaa erittäin voimakkaita radioaaltoja.	Pidä laite ja pölynimuri kaukana laitteista, kuten Wi-Fi-laitteet ja mikroaaltouunit.
	Pölynimuri käy, vaikka mitään työkalun kytkintä ei käytetä.	Muut käyttäjät käyttävät pölynimurin langatonta aktivointia heidän laitteillaan.

KUNNOSSAPITO

VAROITUS: Varmista aina ennen tarkastusta tai huoltoa, että työkalu on sammutettu ja akkupaketti irrotettu. Jos akkupakettia ei irroteta ja työkalua sammuteta, se voi käynnistyä vahingossa ja aiheuttaa vakavan henkilövahingon.

VAROITUS: Varmista aina, että pyörösahanterä on terävä ja puhdas, jotta työskentely sujuisi mahdollisimman hyvin ja turvallisesti. Sahaaminen tylsällä ja/tai likaisella terällä saattaa aiheuttaa takapotkun ja vakavan henkilövahingon.

HUOMIO: Varmista aina ennen tarkastusta tai huoltoa, että teräsuojus on suljettu alkuasentoon. Älä koskaan kiristä tai sido terän suojusta avoimeen asentoon puhdistuksen aikana. Paljaana olevan terän käyttäminen voi aiheuttaa vakavia vammoja.

HUOMAUTUS: Älä koskaan käytä bensiiniä, ohenteita, alkoholia tai tms. aineita. Muutoin pinta voi halkeilla tai sen värit ja muoto voivat muuttua. Muutoin laitteeseen voi tulla värjäytymiä, muodon vääristymiä tai halkeamia.

Tuotteen TURVALLISUUDEN ja LUOTETTAVUUDEN takaamiseksi korjaukset, muut huoltotyöt ja säädöt on teetettävä Makitan valtuutetussa huoltopisteessä Makitan varaosia käyttäen.

Sahauskulman säätäminen

Työkalu on huolellisesti asennettu ja kohdistettu tehtaalla, mutta kova käsittely on saattanut vaikuttaa kohdistukseen. Jos työkaluasi ei ole asianmukaisesti kohdistettu, tee seuraavat toimenpiteet:

Jiirikulma

Laske kahva täysin alas ja lukitse se ala-asentoonsa rajoitintappia käyttämällä. Paina kuljetinta kohti sahausvastetta.

Käännä kahvaa vastapäivään ja pidä kääntöalusta valmiina tarkkaa pysäytystoimintoa varten lukitusvipua käyttämällä.

Löysää sitten osoittimen ja jiirikulma-asteikon kiinnitysruuvit.

► **Kuva83:** 1. Kahva 2. Lukitusvipu 3. Osoittimen ruuvi 4. Jiirikulma-asteikon ruuvit 5. Jiirikulma-asteikko

Aseta kääntöalusta asentoon 0° käyttämällä tarkkaa pysäytystoimintoa. Aseta pyörösahanterän kylki kulmaan sahausvasteen kanssa kolmioviivaimella tai neliökulmalla. Pidä sitä kulmassa ja kiristä jiirikulma-asteikon ruuvit. Kohdista tämän jälkeen osoittimet (vasen ja oikea) 0° asennon kanssa jiirikulman asteikossa ja kiristä osoittimen ruuvi.

► **Kuva84:** 1. Kolmioviivain 2. Osoitin

Kallistuskulma

0° kallistuskulma

Työnnä kuljetin sahausvasteita vasten ja lukitse sen liukuliike rajoitintapilla. Laske kuljetin täysin alas ja lukitse se ala-asentoonsa rajoitintappia käyttämällä. Käännä nuppia vastapäivään ja käännä sitten 0° kulman säätöpulttia kaksi tai kolme kierrosta vastapäivään niin, että pyörösahanterä kallistuu oikealle.

► **Kuva85:** 1. Nuppi 2. 0° säätöruuvi 3. Osoittimen ruuvi

Tasaa pyörösahanterän kylki varovasti kääntöalustan yläpinnan kanssa kolmioviivaimen, vastekulmakon tms. avulla kääntämällä 0° kulman säätöpulttia myötäpäivään. Tämän jälkeen kiristä nuppi luotettavasti asetta- maasi 0° asteen kulmaan.

► **Kuva86:** 1. Kolmioviivain 2. Sahanterä 3. Kääntöalustan yläpinta

Tarkasta uudestaan pyörösahanterän kulma kääntöalustan pinnan kanssa. Löysää osoittimen ruuvi. Kohdista osoitin 0° asennon kanssa viistekulman asteikkola ja kiristä ruuvi.

45° kallistuskulma

HUOMAUTUS: Ennen 45° viistekulman säätämistä, säädä ensin 0° viistekulma.

Löysää nuppia ja kallista alusta täysin haluamallesi tarkastettavalle puolelle. Tarkasta, näyttääkö osoitin 45° kulmaa viistekulma-asteikkola.

► **Kuva87:** 1. Nuppi

Jos osoitin ei näytä 45° kulmaa, kohdista se 45° kulmassa kiertämällä säätöruuvia viistekulma-asteikkola alustan vastakkaisella puolella.

► **Kuva88:** 1. Vasen 45° säätöpultti 2. Oikea 45° säätöruuvi

Lampun linssin puhdistus

HUOMIO: Irrota pyörösahanterä, ennen kuin puhdistat lampun linssin.

HUOMAUTUS: Älä irrota linssien kiinnitysruuvia. Jos linssit eivät irtoa, löysää ruuvia vasta nyt.

HUOMAUTUS: Pyyhi lika pois lampun linssistä kuivalla liinalla. Varo naarmuttamasta lampun linssiä, ettei valoteho laske.

HUOMAUTUS: Älä käytä liuottimia tai öljypohjaisia puhdistusaineita linssin puhdistamiseen.

LED-valon näkyvyys heikkenee, jos valon linssi likaantuu. Puhdista linssi säännöllisesti.

Poista akkupaketti. Löysää ruuvia ja vedä linssit irti.

Puhdista linssit varovaisesti kostealla liinalla.

► **Kuva89:** 1. Ruuvi 2. Linssit

Käytön jälkeen

Käytön jälkeen pyyhi työkaluun liimautuneet lastut ja pöly pois kankaalla tai vastaavalla. Pidä teränsuojus puhtaana aikaisemmin käsitellyssä "Teränsuojus" osassa mainittujen ohjeiden mukaan. Voitele liukuosat koneöljyllä ruostumisen ehkäisemiseksi.

LISÄVARUSTEET

VAROITUS: Nämä Makita-lisävarusteet tai -laitteet on tarkoitettu käytettäväksi tässä ohjekirjassa mainitun Makita-laitteen kanssa. Muiden lisävarusteiden tai -laitteiden käyttäminen voi aiheuttaa vakavan henkilövahingon.

VAROITUS: Käytä Makita-lisävarustetta tai -laitetta vain sen ilmoitettuun käyttötarkoitukseen. Lisävarusteen tai laitteen väärä tai virheellinen käyttö voi aiheuttaa vakavan henkilövahingon.

Jos tarvitset apua tai yksityiskohtaisempia tietoja seuraavista lisävarusteista, ota yhteys paikalliseen Makitan huoltoon.

- Kovametallihampaiset sahanterät
- Pystysuuntainen kappalepuristin
- Vaakapuristin
- Reunalistan rajoitinsarja
- Pölypussi
- Kolmioviivain
- Kuusioavain
- Langaton yksikkö
- Jalustasarja
- Pohja-alusta
- Aito Makitan akku ja laturi

HUOMAA: Jotkin luettelossa mainitut varusteet voivat sisältyä työkalun toimitukseen vakiovarusteina. Ne voivat vaihdella maittain.

SPECIFIKATIONER

Model:		LS004G
Klangediameter	Europæiske lande	260 mm
	Andre lande end Europa	255 mm - 260 mm
Diameter af hul	Europæiske lande	30 mm
	Andre lande end Europa (landespecifik)	15,88 mm / 25,4 mm / 30 mm
Maks. tykkelse af savsnit for savklingen		3,2 mm
Maks. geringsvinkel		Højre 60°, venstre 60°
Maks. skråvinkel		Højre 48°, venstre 48°
Hastighed uden belastning (omdrejninger pr. minut)		3.600 min ⁻¹
Mål (L x B x H)		805 mm x 644 mm x 660 mm
Mærkespænding		D.C. 36 V - 40 V maks.
Nettovægt		26,6 - 27,2 kg

Skæredybde (H x B)

Geringsvinkel	Skråvinkel		
	45° (venstre)	0°	45° (højre)
0°	42 mm x 310 mm 58 mm x 279 mm	68 mm x 310 mm 91 mm x 279 mm	29 mm x 310 mm 43 mm x 279 mm
45° (højre og venstre)	42 mm x 218 mm 58 mm x 197 mm	68 mm x 218 mm 91 mm x 197 mm	29 mm x 218 mm 43 mm x 197 mm
60° (højre og venstre)	-	68 mm x 155 mm 91 mm x 139 mm	-

Skæredybde til specialsnit

Type af skæring	Skæredybde
Kronefremspring 45° type (ved brug af stopper til kronefremspring)	168 mm
Bundplade (ved brug af vandret skruestik)	133 mm

- På grund af vores kontinuerlige forsknings- og udviklingsprogrammer kan hosstående specifikationer blive ændret uden varsel.
- Specifikationer kan variere fra land til land.
- Vægten kan være anderledes afhængigt af tilbehøret, inklusive akkuen. Den letteste og tungeste kombination i henhold til EPTA-procedure 01/2014 er vist i tabellen.

Anvendelig akku og oplader

Akku	BL4020 / BL4025 / BL4040* / BL4050F* * : Anbefalet batteri
Oplader	DC40RA / DC40RB / DC40RC

- Nogle af de akkuer og opladere, der er angivet ovenfor, er muligvis ikke tilgængelige, afhængigt af hvilket område du bor i.

⚠ ADVARSEL: Brug kun de akkuer og opladere, der er angivet ovenfor. Brug af andre akkuer og opladere kan medføre personskaade og/eller brand.

Symboler

Følgende viser de symboler, der muligvis anvendes til udstyret. Sørg for, at du forstår deres betydning før brugen.



Læs brugsanvisningen.



Bær sikkerhedsbriller.



For at undgå personskade fra flyvende rester skal De holde savhovedet nede, når De har foretaget snit, indtil klingen er stoppet helt.



Ved udførelse af skrånit, drej først knappen mod uret og vip derefter slæden. Drej derefter knappen med uret for at stramme det.



Ved glidende snit skal De først trække slæden helt imod Dem selv og trykke håndtaget ned og derefter skubbe slæden mod anslaget.



Hold udløserknappen nedtrykket, når slæden vippes mod højre.



Aktiver stoparmen, når der skæres en fodliste i 45° geringsvinkel.



Placer ikke hånden eller fingrene i nærheden af klingens.



Stir ikke på en anvendt lampe.



A: Klingediameter
B: Diameter af hul



Undlad at montere det vandrette skruestik i samme retning som geringsnittet. (Dette symbol gælder for det vandrette skruestik)



Kun for lande inden for EU
På grund af tilstedeværelsen af farlige komponenter i udstyret kan affald af elektrisk og elektronisk udstyr, akkumulatører og batterier have en negativ indvirkning på miljøet og folkesundheden.
Bortskaf ikke elektriske og elektroniske apparater eller batterier sammen med husholdningsaffald!
I overensstemmelse med EF-direktiv om affaldshåndtering af elektrisk og elektronisk udstyr og om akkumulatører og batterier og affaldsakkumulatører og -batterier, og i overensstemmelse med national lovgivning, skal brugt elektrisk udstyr, batterier og akkumulatører opbevares separat og leveres til et separat indsamlingssted for kommunalt affald, der er etableret i henhold til bestemmelserne om miljøbeskyttelse. Dette er angivet ved symbolet på den krydsede skraldespand, der er placeret på udstyret.

Tilsigtet anvendelse

Dette værktøj er beregnet til udførelse af præcis lige afkortning og geringsnit i træ.
Anvend ikke saven til at skære i andet end træ, aluminium eller lignende materialer.

Støj

Det typiske A-vægtede støjniveau bestemt i overensstemmelse med EN62841-3-9:
Lydtryksniveau (L_{pA}): 91 dB (A)
Lydeffektniveau (L_{WA}): 100 dB (A)
Usikkerhed (K): 3 dB (A)

BEMÆRK: De(n) angivne støjemissionsværdi(er) er målt i overensstemmelse med en standardtestmetode og kan anvendes til at sammenligne en maskine med en anden.

BEMÆRK: De(n) angivne støjemissionsværdi(er) kan også anvendes i en præliminær eksponeringsvurdering.

ADVARSEL: Bær høreværn.

ADVARSEL: Støjemissionen under den faktiske anvendelse af maskinen kan være forskellig fra de(n) angivne værdi(er), afhængigt af den måde hvorpå maskinen anvendes, især den type arbejdsområde der behandles.

ADVARSEL: Sørg for at identificere de sikkerhedsforskrifter til beskyttelse af operatøren, som er baseret på en vurdering af eksponering under de faktiske brugsforhold (med hensyntagen til alle dele i brugscyklussen, f.eks. de gange, hvor maskinen er slukket, og når den kører i tomgang i tilgift til afbrydertiden).

EF-overensstemmelseserklæring

Kun for lande i Europa

EF-overensstemmelseserklæringen er inkluderet som Bilag A i denne brugsanvisning.

SIKKERHEDSADVARSLER

Almindelige sikkerhedsregler for el-værktøj

ADVARSEL: Læs alle de sikkerhedsadvarsler, instruktioner, illustrationer og specifikationer, der følger med denne maskine. Forsømmelse af at overholde alle nedenstående instruktioner kan medføre elektrisk stød, brand og/eller alvorlig personskade.

Gem alle advarsler og instruktioner til fremtidig reference.

Ordet "el-værktøj" i advarslerne henviser til det netforsyede (netledning) el-værktøj eller batteriforsyede (akku) el-værktøj.

Sikkerhedsinstruktioner for geringsssave

- 1. Geringssave er beregnet til at save i træ eller træliggende produkter. De kan ikke anvendes med slibende afskæringsskiver til at skære i jernholdige metaller som f.eks. bjælker, stænger, stivere osv.** Slibestøv får bevægelige dele som f.eks. den nederste beskyttelseskærm til at sætte sig fast. Gnister fra slibeskæring vil forbrænde den nederste beskyttelseskærm, savsnitsindlæg og andre plastikdele.
 - 2. Brug skruetvinger til at understøtte arbejdsemnet, når som helst det er muligt. Hvis du understøtter arbejdsemnet i hånden, skal du altid holde hånden mindst 100 mm fra begge sider af savklingen. Anvend ikke denne sav til at skære stykker, der er for små til at kunne fastgøres forsvarligt eller holdes i hånden.** Hvis din hånd er placeret for tæt på savklingen, er der større risiko for personskade pga. kontakt med klingen.
 - 3. Arbejdsemnet skal være i ro og fastgjort eller holdt mod både anslaget og bordet. Undlad at indføre arbejdsemnet til klingen eller at skære "på frihånd" på nogen måde.** Ikke-fastholdte eller bevægelige arbejdsemner kan blive slynget bort ved høj hastighed og forårsage personskade.
 - 4. Skub saven gennem arbejdsemnet. Undlad at trække saven gennem arbejdsemnet. For at foretage et snit skal du løfte savhovedet og trække det ud over arbejdsemnet uden at skære, starte motoren, trykke savhovedet nedad og skubbe saven gennem arbejdsemnet.** Hvis der skæres på tilbagestrøget, vil det sandsynligvis få savklingen til at klatre op oven på arbejdsemnet og kaste klingemonteringen voldsomt mod operatøren.
 - 5. Placer aldrig din hånd over den tilsigtede skærelinje, hverken foran eller bag ved savklingen.** Understøttelse af arbejdsemnet med "krydsede hænder", dvs. at holde arbejdsemnet til højre for savklingen med venstre hånd eller omvendt, er meget farligt.
- **Fig.1**
- 6. Undlad at række bag ved anslaget med nogen af hænderne tættere end 100 mm fra begge sider af savklingen, at fjerne træstykker eller af nogen anden årsag, så længe klingen roterer.** Det er muligvis ikke tydeligt, hvor tæt den roterende savklinge er på din hånd, og du kan komme alvorligt til skade.
 - 7. Inspicer arbejdsemnet, før der skæres. Hvis arbejdsemnet er buet eller skævt, skal du fastgøre det med den udvendige buede side mod anslaget. Sørg altid for, at der ikke er mellemrum mellem arbejdsemnet, anslaget og bordet langs skærelinjen.** Buede eller skæve arbejdsemner kan vride sig eller flytte sig og kan medføre binding af den roterende savklinge, mens der skæres. Der må ikke være søm eller fremmedlegemer i arbejdsemnet.
 - 8. Undlad at bruge saven, før bordet er ryddet for alle værktøjer, træstykker osv. bortset fra arbejdsemnet.** Små rester eller løse stykker træ eller andre genstande, der kommer i kontakt med den roterende klinge, kan blive slynget bort med høj hastighed.
 - 9. Skær kun i ét arbejdsemne ad gangen.** Flere stablede arbejdsemner kan ikke fastgøres eller understøttes tilstrækkeligt og kan binde klingen eller flytte sig under skæringen.
 - 10. Sørg for, at geringsssaven er monteret eller placeret på en jævn, stabil arbejdsoverflade, før den bruges.** En jævn og stabil arbejdsoverflade mindsker risikoen for, at geringsssaven bliver ustabil.
 - 11. Planlæg dit arbejde. Hver gang du ændrer indstillingen for skræ- eller geringsvinkel, skal du sikre dig, at det justerbare anslag er indstillet korrekt til at understøtte arbejdsemnet, og at det ikke kommer i vejen for klingen eller beskyttelsessystemet.** Uden at slå maskinen "TIL" og uden arbejdsemne på bordet skal du flytte savklingen gennem et komplet simuleret snit for at sikre dig, at der ikke er noget i vejen eller risiko for at skære i anslaget.
 - 12. Sørg for tilstrækkelig understøttelse, for eksempel bordforlængelser, savbukke osv., for et arbejdsemne, der er bredere eller længere end bordpladen.** Arbejdsemner, der er længere eller bredere end geringsssavens bord, kan vippe, hvis de ikke er tilstrækkeligt understøttet. Hvis det afskårne stykke eller arbejdsemnet vipper, kan det løfte den nederste beskyttelseskærm eller blive slynget bort af den roterende klinge.
 - 13. Undlad at bruge en anden person som erstatning for en bordforlængelse eller som ekstra støtte.** Ustabil understøttelse af arbejdsemnet kan få klingen til at binde eller arbejdsemnet til at flytte sig under skæringen, så du selv og hjælperen bliver trukket ind i den roterende klinge.
 - 14. Det afskårne stykke må ikke på nogen måde sidde fast eller blive trykket imod den roterende savklinge.** Hvis det begrænses, for eksempel med længdestopper, kan det afskårne stykke blive klemt mod klingen og slynget voldsomt bort.
 - 15. Brug altid en skruetvinge eller et stykke inventar, der er beregnet til korrekt at støtte runde materialer som f.eks. stænger eller rør.** Stænger har tendens til at rulle, når de skæres, hvilket får klingen til at "bide" og trække emnet med din hånd ind i klingen.
 - 16. Lad klingen nå fuld hastighed, før den sættes mod arbejdsemnet.** Dette reducerer risikoen for, at arbejdsemnet slynget bort.
 - 17. Sluk for geringsssaven, hvis arbejdsemnet eller klingen klemmer sig fast. Vent, til alle bevægelige dele er stoppet, og tag stikket ud af strømkilden og/eller fjern akkuen. Begynd derefter at frigøre det fastklemt materiale.** Fortsat savning med et fastklemt arbejdsemne kan medføre, at du mister kontrollen, eller beskadigelse af geringsssaven.
 - 18. Når et snit er færdigt, skal du slippe afbryderen, holde savhovedet nede og vente, til klingen er stoppet, før du fjerner det afskårne stykke.** Det er farligt at stikke hånden hen til klingen, mens den stadig kører.
 - 19. Hold godt fast i håndtaget, når der foretages et uafærdigt snit, eller hvis du slipper afbryderen, inden savhovedet er helt nede i den nederste position.** Savens bremsefunktion kan medføre, at savhovedet pludseligt trækkes nedad, og medføre risiko for personskade.

20. Brug kun savklingen med den diameter, som er markeret på maskinen eller angivet i vejledningen. Brug af en klinge med forkert størrelse kan muligvis påvirke den korrekte afskærmning af klingen eller skærmfunktionen, hvilket muligvis kan resultere i alvorlig personskade.
21. Brug kun savklinger, der er mærket med en hastighed svarende til eller større end den hastighed, der er angivet på maskinen.
22. Anvend ikke saven til at skære i andet end træ, aluminium eller lignende materialer.
23. (Kun for lande i Europa)
Brug altid en klinge, der overholder EN847-1.

Yderligere instruktioner

1. Gør dit værksted børnesikkert med hængelåse.
2. Stå aldrig på maskinen. Det kan medføre alvorlig personskade, hvis maskinen vælter, eller ved utilsigtet kontakt med skæremaskinen.
3. Lad aldrig maskinen køre uovervåget. Sluk for strømmen. Gå ikke fra maskinen, før den er stoppet helt.
4. Anvend ikke saven, uden at beskyttelsesskærmene er på plads. Kontrollér beskyttelsesskærmen for korrekt funktion for hver brug. Anvend ikke saven, hvis beskyttelsesskærmen ikke bevæger sig frit og lukker øjeblikkeligt. Beskyttelsesskærmen må aldrig klemmes eller bindes til åben position.
5. Hold hænderne væk fra savklingens bane. Undgå kontakt med klingen, mens denne kører i frihjul. Dette kan stadig medføre alvorlig personskade.
6. For at reducere risikoen for personskade skal du sætte slæden tilbage til den bageste position efter hvert tværsnit.
7. Fastgør altid bevægelige dele, før maskinen transporteres.
8. Stopstiften eller stoparmen, som låser savhovedet nede, er kun beregnet til transport- og opbevaringsformål og ikke til nogen form for skæring.
9. Efter omhyggeligt klingen for revner eller beskadigelse før brugen. Udskift øjeblikkeligt en revnet eller beskadiget klinge. Gummi og tjære, der hærdes mod klinger, gør saven langsommere og øger risikoen for tilbageslag. Hold klingen ren ved først at tage den ud af maskinen og derefter rense den med gummi- og tjærefjerner, varmt vand eller petroleum. Benyt aldrig benzin til at rense klingen.
10. Ved foretagelse af et glidende snit kan der forekomme TILBAGESLAG. TILBAGESLAG sker, når klingen binder i arbejdsemnet under en skæring, og savklingen drives hurtigt mod operatøren. Det kan medføre tab af kontrol og alvorlig personskade. Hvis klingen begynder at binde under en skæring, må du ikke fortsætte med at skære, men slip med det samme afbryderen.
11. Anvend kun flanger, der er anbefalet til brug med denne maskine.
12. Sørg for ikke at beskadige akslen, flangerne (specielt monteringsfladen) eller bolten. Beskadigelse af disse dele kan medføre beskadigelse af klingen.

13. Sørg for, at drejeskiven er fastlåst og ikke bevæger sig under brug. Brug hullerne i foden til at fastgøre saven til en stabil arbejdsplatform eller bænk. Anvend ALDRIG maskinen, hvis operatørens position kan blive akavet.
14. Sørg for, at spindellåsen er løsnet, før der tændes på afbryderen.
15. Sørg for, at klingen ikke rører drejeskiven i nederste position.
16. Hold godt fast i håndtaget. Vær opmærksom på, at saven ved start og stop bevæger sig let op og ned.
17. Sørg for, at klingen ikke er i berøring med arbejdsemnet, før der tændes på afbryderen.
18. Før maskinen anvendes på arbejdsemnet, skal den køre i tomgang et stykke tid. Vær opmærksom på vibrationer eller rystelser, der kan være forårsaget af forkert montage eller manglende afbalancering af klingen.
19. Afbryd straks anvendelsen, hvis du bemærker noget unormalt under brugen.
20. Forsøg aldrig at fastlåse afbryderen i "TIL"-stillingen.
21. Anvend altid kun det tilbehør, der er anbefalet i denne brugsanvisning. Anvendelse af forkert tilbehør, eksempelvis slibeskiver, kan medføre personskade.
22. Nogle materialer indeholder kemikalier, der kan være giftige. Sørg omhyggeligt for at undgå at indånde støv samt kontakt med huden. Følg materialeleverandørens sikkerhedsdata.
23. Brug ikke en ledningsbaseret strømforsyning med dette værktøj.

Yderligere sikkerhedsregler for anvendt lampe

1. Kig ikke ind i lyset, og se ikke direkte ind i lyskilden.

GEM DISSE FORSKRIFTER.

⚠ ADVARSEL: LAD IKKE bekvemmelighed eller kendskab til produktet (opnået gennem gentagen brug) forhindre, at sikkerhedsforskrifterne for produktet nøje overholdes. MISBRUG eller forsømmelse af at følge de i denne brugsvejledning givne sikkerhedsforskrifter kan medføre alvorlig personskade.

Vigtige sikkerhedsinstruktioner for akkuen

1. Læs alle instruktioner og advarselsmærkater på (1) akku-opladeren, (2) akkuen og (3) produktet, som anvender akku.
2. Adskil eller ændr ikke akkuen. Det kan muligvis resultere i en brand, overdreven varme eller eksplosion.
3. Hold straks op med anvendelsen, hvis brugstiden er blevet stærkt afkortet. Fortsat anvendelse kan resultere i risiko for overophedning, forbrændinger og endog eksplosion.
4. Hvis De har fået elektrolytvæske i øjnene, skal De straks skylle den ud med rent vand og derefter øjeblikkeligt søge lægehjælp. I modsat fald kan De miste synet.

5. Vær påpasselig med ikke at komme til at kortslutte akkuen:

- (1) Rør ikke ved terminalerne med noget ledende materiale.
- (2) Undgå at opbevare akkuen i en beholder sammen med andre genstande af metal, for eksempel søm, mønter og lignende.
- (3) Udsæt ikke akkuen for vand eller regn. Kortslutning af akkuen kan forårsage en kraftig øgning af strømmen, overophedning, mulig forbrændinger og endog værktøjstop.

6. Opbevar og brug ikke maskinen og akkuen på steder, hvor temperaturen muligvis kan nå eller overstige 50 °C.

7. Lad være med at brænde akkuen, selv ikke i tilfælde, hvor den har lidt alvorlig skade eller er fuldstændig udtjent. Akkuen kan eksplodere, hvis man forsøger at brænde den.

8. Slå ikke søm i, skær ikke i, knus, kast, tab ikke akkuen og stød ikke akkuen mod en hård genstand. Sådant adfærd kan muligvis resultere i en brand, overdreven varme eller eksplosion.

9. Anvend ikke en beskadiget akku.

10. De indbyggede litium-ion-batterier er underlagt lovkrav vedrørende farligt gods.

Ved kommerciel transport, f.eks. af tredjeparts transportselskaber, skal særlige krav til forpakning og mærkning overholdes.

Ved forberedelse af udstyret til forsendelse skal du kontakte en ekspert i farligt gods. Overhold også eventuel mere detaljeret national lovgivning.

Tape eller tildæk åbne kontakter, og pak batteriet på en måde, så det ikke kan flytte sig rundt i pakningen.

11. Når akkuen bortskaffes, skal du fjerne den fra maskinen og bortskaffe den på et sikkert sted. Følg de lokale love vedrørende bortskaffelsen af batterier.

12. Brug kun batterierne med de produkter, som Makita specificerer. Hvis batterierne installeres i ikke-kompatible produkter, kan det medføre brand, kraftig varme, eksplosion eller udsivning af elektrolyt.

13. Hvis maskinen ikke skal bruges i længere tid ad gangen, skal du fjerne batteriet fra maskinen.

14. Akkuen kan muligvis under og efter brug være varm, hvilket kan forårsage forbrændinger eller lavtemperaturforbrændinger. Vær påpasselig med håndtering af varme akkuer.

15. Rør ikke terminalen på maskinen straks efter brug, da den bliver varm nok til at forårsage forbrændinger.

16. Sørg for at spåner, støv eller jord ikke sætter sig fast inde i terminalerne, hullerne og rillerne på akkuen. Det kan muligvis medføre dårlig ydelse eller nedbrud af maskinen eller akkuen.

17. Medmindre maskinen understøtter brugen i nærheden af elektriske højspændingsledninger, skal du ikke anvende akkuen i nærheden af elektriske højspændingsledninger. Det kan muligvis medføre funktionsfejl på eller nedbrud af maskinen eller akkuen.

18. Opbevar batteriet utilgængeligt for børn.

⚠FORSIGTIG: Brug kun originale batterier fra Makita. Brug af uoriginale Makita-batterier, eller batterier som er blevet ændret, kan muligvis medføre brud på batteriet, hvilket kan forårsage brand, personskade eller beskadigelse. Det ugyldiggør også Makita-garantien for Makita-maskinen og opladeren.

Tips til opnåelse af maksimal akku-levetid

1. Oplad akkuen, inden den er helt afladet. Stop altid værktøjet, og oplad akkuen, hvis De bemærker, at værktøjeffekten er aftagende.
2. Genoplad aldrig en fuldt opladet akku. Overopladning vil forkorte akkuens levetid.
3. Oplad akkuen ved stuetemperatur ved 10 °C - 40 °C. Lad altid en varm akku få tid til at køle af, inden den oplades.
4. Når du ikke anvender akkuen, skal du fjerne den fra maskinen eller opladeren.
5. Oplad akkuen, hvis De ikke skal bruge den i længere tid (mere end seks måneder).

Vigtige sikkerhedsinstruktioner for trådløs enhed

1. Undlad at adskille eller ændre den trådløse enhed.
2. Opbevar den trådløse enhed utilgængeligt for små børn. Søg øjeblikkeligt læge, hvis den sluges ved et uheld.
3. Brug kun den trådløse enhed sammen med maskiner fra Makita.
4. Udsæt ikke den trådløse enhed for regn eller våde omgivelser.
5. Brug ikke den trådløse enhed på steder, hvor temperaturen overskrider 50 °C.
6. Brug ikke den trådløse enhed i nærheden af medicinske instrumenter som f.eks. pacemakere.
7. Brug ikke den trådløse enhed i nærheden af automatiske enheder. Hvis den bruges, kan automatiske enheder udvikle fejlfunktion eller fejl.
8. Undlad at betjene den trådløse enhed på steder med høje temperaturer eller steder, hvor der kan genereres statisk elektricitet eller elektrisk støj.
9. Den trådløse enhed kan frembringe elektromagnetiske felter (EMF), men de er ikke skadelige for brugeren.
10. Den trådløse enhed er et præcisionsinstrument. Undgå at tabe eller slå på den trådløse enhed.
11. Undgå at berøre terminalen på den trådløse enhed med de bare hænder eller metalliske materialer.
12. Tag altid batteriet ud af produktet, når den trådløse enhed monteres på det.
13. Når låget på åbningen åbnes, skal du undgå steder, hvor der kan komme støv eller vand ind i åbningen. Hold altid indgangen til åbningen ren.
14. Indsæt altid den trådløse enhed i den rigtige retning.
15. Undgå at trykke for hårdt på den trådløse aktiveringsknap på den trådløse enhed og/eller at trykke på knappen med en genstand med en skarp kant.
16. Luk altid låget på åbningen under brug.

GEM DENNE BRUGSANVISNING.

17. Undlad at fjerne den trådløse enhed fra åbningen, når der er sluttet strøm til maskinen. Hvis du gør dette, kan det medføre funktionsfejl i den trådløse enhed.
18. Undlad at fjerne etiketten på den trådløse enhed.
19. Undlad at sætte nogen etiket på den trådløse enhed.
20. Lad ikke den trådløse enhed ligge på steder, hvor der kan genereres statisk elektricitet eller elektrisk støj.
21. Lad ikke den trådløse enhed ligge på steder, der er udsat for høj varme, for eksempel en bil, der står i solen.
22. Lad ikke den trådløse enhed ligge på et sted med støv eller pulver eller på et sted, hvor der kan udvikles ætsende gas.
23. En pludselig temperaturændring kan forårsage dug på den trådløse enhed. Brug ikke den trådløse enhed, før duggen er tørret helt bort.
24. Ved rengøring af den trådløse enhed skal den aftørres forsigtigt med en tør, blød klud. Brug ikke rensbenzin, fortynder, ledende fedtstof eller lignende.
25. Ved opbevaring af den trådløse enhed skal den opbevares i den medfølgende æske eller i en beholder, der er fri for statisk elektricitet.
26. Indsæt ikke andre enheder end den trådløse enhed fra Makita i åbningen på maskinen.
27. Undlad at bruge maskinen, hvis låget til åbningen er beskadiget. Vand, støv og snavs, der kommer ind i åbningen, kan forårsage fejlfunktion.
28. Undlad at trække og/eller vride låget til åbningen mere end nødvendigt. Sæt låget på igen, hvis det falder af maskinen.
29. Udskift låget til åbningen, hvis det bliver væk eller ødelægges.

GEM DISSE FORSKRIFTER.

BESKRIVELSE AF DELENE

► Fig.2

1	Knap (til skråvinkel)	2	Sekskantnøgle	3	Justeringskrue (til nedre grænseposition)	4	Justeringsbolt (til maksimal skæredybde)
5	Stoparm	6	Aflåseknop	7	Afbryderknop	8	Låg (til trådløs enhed)
9	Hul til hængelås	10	Trådløs aktiveringsknop	11	Trådløs aktiveringslampe	12	Lampeknop
13	Støvsugerknop	14	Klingehus	15	Beskyttelsesskærm	16	Holder
17	Låsearm (til drejeskive)	18	Udløserarm (til drejeskive)	19	Indstillingsgreb (til drejeskive)	20	Indlægsplade
21	Geringsvinkelskala	22	Viser (til geringsvinkel)	23	Drejeskive	24	Udløserknop (til skråvinkel i højre side)
25	Lodret kruestik	26	Stopstift (til skubning af slæden)	27	Skydestang	-	-

► Fig.3

1	Håndtag	2	Akku	3	Støvpose (ved udskiftning med støvudtrækningslange)	4	Slange (til støvudtrækning)
5	Justeringsbolt til 0° (til skråvinkel)	6	Skråvinkelskala	7	Viser (til skråvinkel)	8	Justeringsbolt til 45° (til skråvinkel)
9	Låsearm (til skråvinkel)	10	Udløserarm (til 48° skråvinkel)	11	Anslag (øverste anslag)	12	Anslag (nederste anslag)
13	Stopstift (til hævnning af slæden)	14	Spindellås	-	-	-	-

MONTERING

Montering af indstillingsgrebet

Skrue det gevindskårne skaft på indstillingsgrebet ind i drejeskiven.

► Fig.4: 1. Indstillingsgreb 2. Drejeskive

Montering og fjernelse af støvudtrækningslangen

Fastgør slangealbuen til den øverste åbning med låseknappen opad. Indsæt slangens muffe i den nederste port. Tryk og juster muffens stopknapper med portens guide hak.

Sørg for, at albuen og muffen passer korrekt til portene på maskinen.

► Fig.5: 1. Støvudtrækningslange 2. Albue 3. Låseknop 4. Muffe 5. Øverste port 6. Nederste port

Fjern slangealbuen fra porten ved at trække i albuen, mens du trykker låseknappen ned.

► Fig.6: 1. Låseknop 2. Albue

For at fjerne slangens muffe fra porten skal du trække i muffen, mens du trykker på stopknapperne på begge sider af porten.

► Fig.7: 1. Stopknop 2. Muffe

Montering på bænk

Ved leveringen af maskinen er håndtaget låst i den sænkede position ved hjælp af stopstiften. Mens du sænker håndtaget en smule, skal du trække i stopstiften og dreje den 90°.

► **Fig.8:** 1. Låst position 2. Ulåst position 3. Stopstift

Denne maskine skal fastgøres med fire bolte til en plan og stabil overflade ved hjælp af bolthullerne i maskinens bund. Dette hjælper med til at forhindre, at den vipper med personskafe til følge.

► **Fig.9:** 1. Bolte

⚠ ADVARSEL: Sørg for, at maskinen ikke vil bevæge sig på den understøttende flade. Hvis geringssaven bevæger sig på den understøttede flade under skæringen, risikerer du at miste herredømmet over saven og alvorlig personskafe.

FUNKTIONSBESKRIVELSE

⚠ ADVARSEL: Vær altid sikker på, at der er slukket for værktøjet, og at akkuen er fjernet, inden De justerer eller kontrollerer værktøjets funktioner. Hvis De ikke slukker for værktøjet og fjerner akkuen, kan det medføre alvorlig personskafe forårsaget af utilsigtet start af værktøjet.

Isætning eller fjernelse af akkuen

⚠ FORSIGTIG: Sluk altid for værktøjet, før De monterer eller fjerner akkuen.

⚠ FORSIGTIG: Hold værktøjet og akkuen fast ved montering eller fjernelse af akkuen. Hvis De ikke holder værktøjet og akkuen fast, kan de glide ud af hænderne på Dem og forårsage beskadigelse af værktøjet og akkuen eller personskafe.

► **Fig.10:** 1. Rød indikator 2. Knap 3. Akku

Akkuen fjernes ved, at De trækker den ud af værktøjet, idet De skyder knappen på forsiden af akkuen i stilling.

For at montere akkuen skal du justere tungen på akkuen med rillen i huset og skubbe den på plads. Indsæt den hele vejen, indtil den låses på plads med et lille klik. Hvis du kan se den røde indikator, som vist i figuren, er den ikke helt låst.

⚠ FORSIGTIG: Monter altid akkuen helt, indtil den røde indikator ikke længere er synlig. Hvis dette ikke gøres, kan den falde ud af værktøjet ved et uheld, hvorved De selv eller personer i nærheden kan komme til skade.

⚠ FORSIGTIG: Brug ikke magt ved montering af akkuen. Hvis akkuen ikke glider på plads uden problemer, betyder det, at den ikke sættes i på korrekt vis.

Beskyttelsessystem til værktøj/batteri

Værktøjet er forsynet med et beskyttelsessystem til værktøj/batteri. Dette system afbryder automatisk strømmen til motoren for at forlænge levetiden for værktøjet og batteriet. Værktøjet stopper automatisk under driften, hvis det eller batteriet kommer i en af følgende situationer. I nogle tilfælde lyser indikatorerne.

Overbelastningsbeskyttelse

Hvis maskinen/batteriet bruges på en måde, der får den/det til at trække en unormalt høj strøm, stopper maskinen automatisk. Sluk i så fald for maskinen, og ophør med den anvendelse, som medførte, at maskinen blev overbelastet. Tænd derefter for maskinen for at starte den igen.

Beskyttelse mod overophedning

Hvis maskinen/batteriet er overophedet, stopper maskinen automatisk, og lampen blinker. I denne situation skal du lade maskinen køle af, inden du tænder for den igen.

Beskyttelse mod afladning

Når batteriladningen bliver lav, stopper maskinen automatisk. Hvis maskinen ikke kører sammen med kontaktbetjeningen, afmonter batteriet fra maskinen og oplad det.

Indikation af den resterende batteriladning

Tryk på kontrolknappen på akkuen for at få vist den resterende batteriladning. Indikatorlampen lyser i nogle sekunder.

► **Fig.11:** 1. Indikatorlamper 2. Kontrolknap

Indikatorlamper			Resterende ladning
Tændt	Slukket	Blinker	
■	□	◐	75% til 100%
■	■	□	50% til 75%
■	□	□	25% til 50%
■	□	□	0% til 25%
◐	□	□	Genoplad batteriet.
■	■	□	Der er muligvis fejl i batteriet.
□	□	■	

BEMÆRK: Afhængigt af brugsforholdene og den omgivende temperatur kan indikationen afvige en smule fra den faktiske ladning.

BEMÆRK: Den første indikatorlampe (længst mod venstre) vil blinke, når batteribeskyttelsessystemet aktiveres.

Håndtagslås

⚠️FORSIGTIG: Hold altid i håndtaget, når stopstiften frigøres. Ellers springer håndtaget op, hvilket kan medføre personskaade.

Håndtaget kan låses med stopstiften enten i den nedre position eller i hævet position. Sænk eller hævet håndtaget helt, og træk og drej derefter stopstiften i en låst position. For at låse håndtaget op skal du trække i stopstiften og dreje den 90° i ulåst position, mens du sænker håndtaget en smule.

► **Fig.12:** 1. Låst position 2. Ulåst position 3. Stopstift

Skydelås

Træk i stopstiften og drej den 90° i en ulåst position for at til-lade fri bevægelse af slæden. For at låse slædens glidebevægelse, skal du skubbe slæden mod armen, indtil den stopper, og derefter sætte stopstiften tilbage på en låst position.

► **Fig.13:** 1. Låst position 2. Ulåst position 3. Stopstift 4. Arm

Beskyttelsesskærm

⚠️ADVARSEL: Beskyttelsesskærmen må aldrig sættes ud af funktion, og fjederen på skærmen må aldrig fjernes. En synlig klinge på grund af en manglende beskyttelsesskærm kan medføre alvorlig personskaade under anvendelsen.

⚠️ADVARSEL: Brug aldrig værktøjet, hvis beskyttelsesskærmen eller fjederen er beska-diget, defekt eller mangler. Anvendelse af værktøjet med en beskadiget, fejlbehæftet eller afmonteret beskyttelsesskærm kan medføre alvorlig personskaade.

⚠️FORSIGTIG: Hold altid beskyttelsesskærmen i god stand for sikker brug. Hold øjeblikkeligt op med brugen, hvis der er uregelmæssigheder i beskyttelsesskærmen. Bekræft, at de fjederbelastede beskyttelsesskærme returnerer.

Når De sænker grebet, hæves beskyttelsesskærmen automatisk. Beskyttelsesskærmen er fjederbelastet og vender tilbage til udgangspositionen, når arbejdet er afsluttet, og grebet atter hæves.

► **Fig.14:** 1. Beskyttelsesskærm

Rengøring

Hvis den gennemsigtige beskyttelsesskærm bliver snavset, eller der sidder så meget savsmuld på den og på en sådan måde, at savklingen og/eller arbejdsmønter ikke længere er synligt, skal akkuen tages ud, og beskyttelsesskærmen skal rengøres med en fugtig klud. Anvend ikke opløsningsmidler eller petroleumbaserede rengøringsmidler på plastikbeskyttelsesskærmen, da dette kan beskadige skærmen. Følg de angivne trin-for-trin-instruktioner om hvordan du gør klar til rengøring.

1. Sørg for, at der er slukket for maskinen, og at akkuen er taget ud.
2. Drej sekskantbolten mod uret ved hjælp af den medfølgende sekskantnøgle, idet der holdes på midterafdækningen.

3. Løft beskyttelsesskærmen og midterafdækningen.
4. Sæt midterafdækningen tilbage efter rengøring og stram sekskantbolten ved at udføre ovenstående trin i omvendt rækkefølge.
5. Sørg for at sætte rundsavsklingen og midterafdækningen tilbage til deres originale position og stram sekskantbolten.

► **Fig.15:** 1. Sekskantnøgle 2. Sekskantbolt 3. Midterafdækning 4. Beskyttelsesskærm

⚠️ADVARSEL: Fjern ikke den fjeder, der holder beskyttelsesskærmen. Hvis beskyttelsesskærmen bliver beskadiget i tidens løb eller på grund af udsættelse for ultraviolet lys, bedes De kontakte et Makita servicecenter for at få den udskiftet. **OMGÅ ELLER AFMONTER IKKE BESKYTTELSESSKÆRMEN.**

Placering af indlægsplade

Denne maskine er udstyret med indlægsplader i drejeskiven med det formål at minimere slitage på udgangssiden for et snit. Indlægspladerne er fra fabriken indstillet således, at rundsavsklingen ikke kommer i berøring med indlægspladerne. Indstil indlægspladerne inden brugen på følgende måde:

1. Sørg for at afmontere akkuen. Løsn derefter alle skrueene (to hver til venstre og højre), der fastgør indlægspladerne.

► **Fig.16:** 1. Indlægsplade 2. Skrue

BEMÆRK: De bageste skrueer kan let løsnes og strammes ved at dreje drejeskiven i en vinkel. Sørg for at hæve håndtaget helt, når du drejer drejeskiven.

2. Stram kun skrueene så meget, at indlægspladerne stadig nemt kan flyttes med hånden.
3. Sænk håndtaget helt, og træk og drej derefter stopstiften for at låse håndtaget i den sænkede position.
4. Træk i og drej stopstiften på skydestangen, så slæden kan glide.

► **Fig.17:** 1. Stopstift 2. Låst position 3. Ulåst position

5. Træk slæden helt imod dig.
6. Indstil indlægspladerne således, at de lige netop berører siderne af klingetænderne.

► **Fig.18**

► **Fig.19:** 1. Savklinge 2. Klingetænder 3. Indlægsplade 4. Venstre skråsnit 5. Lige snit 6. Højre skråsnit

BEMÆRKNING: Når du ændrer skråvinklerne, skal du sørge for at placere indlægspladerne korrekt.

BEMÆRKNING: Afmonter altid de øverste anslag og det lodrette skruestik, inden du placerer indlægspladerne til venstre eller højre skråsnit.

7. Stram de forreste skrueer (stram ikke for meget).
8. Skub slæden helt mod anslagene, og indstil derefter indlægspladerne således, at de lige netop berører siderne af klingetænderne.

- Stram de bageste skruer (stram ikke for meget).
- Frigør stopstiften for håndtagslåsen, efter justering af indlægspladerne, og hæv håndtaget. Stram derefter alle skrueene godt til.

BEMÆRKNING: Sørg for, når skråvinklen er indstillet, at indlægspladerne er korrekt justeret. Korrekt indstilling af indlægspladerne bidrager til at yde den rigtige støtte til arbejdsemnet og gøre risikoen for udrivning minimal.

Vedligeholdelse af maksimal skæredybde

Denne maskine er fabriksindstillet til at give den maksimale skæredybde med en 260 mm savklinge. Når der monteres en ny rundsavklinge, skal den nedre grænseposition på rundsavsklingen altid kontrolleres og, såfremt det er påkrævet, justeres som beskrevet herunder:

- Fjern akkuen. Drej derefter stoparmen til den aktiverede position.
► **Fig.20:** 1. Stoparm
- Skub slæden helt mod anslagene, og sænk håndtaget helt.
► **Fig.21:** 1. Anslag 2. Justeringsbolt
- Brug sekskantnøglen til at dreje justeringsboltene, indtil rundsavsklingen sidder lidt under det sted, hvor anslagene og den øverste flade af drejeskiven mødes.
► **Fig.22:** 1. Overflade af drejeskiven 2. Anslag
- Drej klingens håndtag med hånden, idet du holder håndtaget helt nede, for at sikre dig, at rundsavsklingen ikke kommer i berøring med nogen del af den nederste bund. Juster om nødvendigt en smule.

ADVARSEL: Sørg altid for, når en ny rundsavklinge er monteret, og med akkuen fjernet, at rundsavsklingen ikke kommer i berøring med nogen dele på den nederste bund, når håndtaget sænkes helt. Hvis rundsavsklingen kommer i berøring med bunden, kan det medføre tilbageslag med alvorlig personskade til følge.

► **Fig.23**

FORSIGTIG: Sæt altid stoparmen tilbage til den oprindelige position efter justering.

Stoparm

Rundsavsklingens nedre grænseposition kan nemt indstilles med stoparmen. For at indstille den, drej stoparmen i pilens retning som vist på illustrationen. Drej justeringsskruen, så rundsavsklingen stopper i den ønskede position, når håndtaget sænkes helt.

► **Fig.24:** 1. Justeringsskrue 2. Stoparm

FORSIGTIG: Hold altid fast i håndtaget ved justering. Hvis du ikke gør dette, kan slæden hoppe op og resultere i personskade.

Justering af geringsvinklen

FORSIGTIG: Efter ændring af geringsvinklen skal du altid fastgøre drejeskiven ved at sætte låsearmen/udløserarmen tilbage i en låst position og stramme indstillingsgrebet godt til.

BEMÆRKNING: Når du drejer drejeskiven, skal du løfte håndtaget helt.

- Drej indstillingsgrebet mod uret. Tryk og hold derefter ned på låsearmen til en ulåst position.
- Hold og sving indstillingsgrebet fra side til side for at dreje drejeskiven.
- Juster viseren til den ønskede vinkel på geringsvinkelskalaen.
- Slip låsearmen, og stram indstillingsgrebet.
► **Fig.25:** 1. Indstillingsgreb 2. Låsearm 3. Viser 4. Geringsvinkelskala

Fast stop-funktion

Denne geringsssav har en funktion til fast stop. Du kan hurtigt indstille en geringsvinkel på 0°, 15°, 22,5°, 31,6°, 45° og 60° mod højre eller venstre.

- Drej indstillingsgrebet mod uret.
- Tryk derefter på låsearmen og hold nede i en ulåst position.
- Drej drejeskiven tæt på din ønskede fast stop-vinkel og slippe låsearmen.
- Drej drejeskiven på din ønskede fast stop-vinkel, indtil den er fastgjort.
- Stram indstillingsgrebet til.
► **Fig.26:** 1. Indstillingsgreb 2. Låsearm 3. Fast stop-vinkel

BEMÆRK: For at frigøre drejeskiven fra fast stop-funktionen skal du trykke udløserarmen nede. Drejeskiven kan bevæges frit uden at holde låsearmen nede. Sving indstillingsgrebet for at dreje drejeskiven til den ønskede vinkel, og stram derefter indstillingsgrebet.

► **Fig.27:** 1. Udløserarm

Justering af skråvinklen

FORSIGTIG: Efter ændring af skråvinklen skal du altid fastgøre armen ved at stramme knappen på skydestangen med uret.

BEMÆRKNING: Fjern altid de øverste anslag og den lodrette skruestik, før skråvinklen justeres.

BEMÆRKNING: Når rundsavsklingen vipper, skal du sørge for, at slæden er helt hævet.

BEMÆRKNING: Når skråvinklerne ændres, skal du sørge for at genplacere indlægspladerne korrekt, som forklaret i afsnittet for placering af indlægsplader.

BEMÆRKNING: Stram ikke knappen for skydestangen for hårdt. Dette kan medføre funktionsfejl i låsemekanismen til skråvinklen.

Vipning af rundsavsklingen til venstre

1. Drej knappen på skydestangen i retningen mod uret.
▶ **Fig.28:** 1. Knap
2. Træk i og drej låsearmen til positionen som vist.
▶ **Fig.29:** 1. Låsearm
3. Hold i håndtaget og vip slæden mod venstre.
4. Juster viserens til den ønskede vinkel på skråvinkelskalaen.
5. Stram knappen i retningen med uret for at sikre slædens arm.
▶ **Fig.30:** 1. Knap 2. Håndtag 3. Viser
4. Skråvinkelskala

Vipning af rundsavsklingen til højre

1. Drej knappen på skydestangen i retningen mod uret.
2. Hold i håndtaget og vip slæden en smule mod venstre.
3. Vip slæden til højre, mens du trækker i udløserknappen for skråvinkel i højre side.
4. Juster viserens til den ønskede vinkel på skråvinkelskalaen.
5. Stram knappen i retningen med uret for at sikre slædens arm.
▶ **Fig.31:** 1. Knap 2. Håndtag 3. Udløserknap til skråvinkel i højre side 4. Skråvinkelskala

Vipning af rundsavsklinge ved hjælp af fast stop-funktion

Denne geringssav har en funktion til fast stop. Du kan hurtigt indstille en vinkel på 22,5° og 33,9° mod både venstre og højre.

1. Drej knappen på skydestangen i retningen mod uret.
2. Vip slæden tæt på den ønskede fast stop-vinkel, mens du løfter låsearmen op.
3. Sæt låsearmen i vandret position.
4. Drej slæden på din ønskede fast stop-vinkel, indtil den er fastgjort.
5. For at ændre vinklen skal du trække låsearmen mod maskinens forside og derefter vippe slæden igen.
6. Stram knappen i retningen med uret for at sikre slædens arm.
▶ **Fig.32:** 1. Knap 2. Låsearm

Vipning af rundsavsklingen uden for området 0° - 45°

1. Drej knappen på skydestangen i retningen mod uret.
2. Hold i håndtaget og vip slæden gennem 45° til enten venstre eller højre.
3. Træk slæden en smule tilbage og drej udløserarmen for 48° skråvinkel mod maskinens forside.
4. Vip slæden yderligere til venstre eller højre, mens du holder håndtaget sluppet.
5. Stram knappen i retningen med uret for at sikre slædens arm.
▶ **Fig.33:** 1. Knap 2. Håndtag 3. Udløserarm for 48° skråvinkel

Afbryderfunktion

⚠ ADVARSEL: Før du sætter akkuen/akkuerne ind i maskinen, skal du altid kontrollere, at afbryderknappen aktiveres korrekt og at den vender tilbage til "FRA"-positionen, når den slippes. Tryk ikke hårdt på afbryderknappen uden først at trykke aflåseknappen ind. Dette kan ødelægge afbryderen. Anvendelse af maskinen med en afbryder, som ikke fungerer korrekt, kan medføre tab af kontrollen over maskinen og alvorlig personskade.

⚠ ADVARSEL: Anvend ALDRIG maskinen, hvis afbryderknappen ikke fungerer, som den skal. Enhver maskine med en ikke-fungerende afbryderknap er YDERST FARLIG og skal repareres før yderligere anvendelse, da det ellers kan medføre alvorlig personskade.

⚠ ADVARSEL: Omgå ALDRIG lås fra-knappens funktion ved at tape den fast eller på andre måder. En afbryder med en blokeret lås fra-knap kan medføre utilsigtet funktion og alvorlig personskade.

⚠ ADVARSEL: Brug ALDRIG maskinen, hvis den kører, når du blot trykker på afbryderknappen uden at trykke på lås fra-knappen. En afbryder, der skal repareres, kan medføre utilsigtet funktion og alvorlig personskade. Returner maskinen til et Makita-servicecenter for nødvendige reparationer INDEN yderligere brug.

▶ **Fig.34:** 1. Afbryderknap 2. Aflåseknop 3. Hul til hængelås

For at forhindre, at afbryderknappen trykkes ind ved et uheld, er maskinen udstyret med en aflåseknop. Maskinen startes ved at trykke aflåseknappen ind og derefter trykke på afbryderknappen. Slip afbryderknappen for at stoppe.

Afbryderknappen er forsynet med et hul til indsættelse af en hængelås, så maskinen kan aflåses.

⚠ ADVARSEL: Anvend ikke en lås med et skaft eller et kabel, som er mindre end 6,35 mm i diameter. Et mindre skaft eller kabel vil muligvis ikke låse maskinen i fra-stilling, og utilsigtet brug kan ske med alvorlig personskade som følge.

Kastning af en skærelinje

⚠ FORSIGTIG: Lampen er ikke regntæt. Undlad at vaske lampen i vand eller at bruge den i regnvejr eller i et vådt område. Hvis du gør dette, kan det medføre elektrisk stød og dampe.

⚠ FORSIGTIG: Undlad at berøre lampens linse, da den er meget varm, når den er tændt, eller kort efter der er slukket for den. Det kan medføre forbrændinger.

⚠ FORSIGTIG: Undlad at bruge magt på lampen, da det kan medføre beskadigelse eller forkortet levetid.

⚠ FORSIGTIG: Kig aldrig direkte på lyskilden. Lad ikke lyset falde i Deres øjne.

LED-lampen kaster lys over rundsavsklingen, og en skygge af klingen falder på arbejdsemnet og fungerer som en kalibreringsfri skærelinjeindikator. Tryk på lampeknapen for at udsende lys. Der vises en linje, hvorpå klingen vil møde overfladen af arbejdsemnet, hvilken bliver dybere, efterhånden som klingen bliver sænket.

► **Fig.35:** 1. Lampeknap 2. Lampe 3. Skærelinje

Indikatoren hjælper med at skære gennem en eksisterende afskæringslinje, som er markeret med blyant på arbejdsemnet.

1. Hold i håndtaget og sænk rundsavsklingen, så der falder en tæt skygge af klingens på arbejdsemnet.
2. Ret afskæringslinjen, som er tegnet på arbejdsemnet, ind med skyggeskærelinjen.
3. Juster geringsvinkler og skråvinkler om nødvendigt.

BEMÆRK: Sørg altid for at slukke på lampekontakten efter brug, da der forbruges batteristrøm, når der er tændt for lyset.

BEMÆRK: Lyset slukker automatisk 5 minutter efter, du er færdig med anvendelsen.

Elektronisk funktion

Elektrisk bremse

Maskinen har en elektrisk klingebræmse. Hvis maskinen konsekvent undlader at ophøre med at fungere hurtigt, efter at afbryderknappen slippes, skal der udføres service på maskinen hos et Makita servicecenter.

⚠FORSIGTIG: Klingebremsesystemet er ikke en erstatning for en beskyttelsesskærm. Anvend aldrig maskinen uden en fungerende beskyttelsesskærm. En ubeskyttet klinge kan medføre alvorlig personskade.

Konstant hastighedskontrol

Maskinen er udstyret med en elektronisk hastighedskontrol, der hjælper med at opretholde en konstant klingerotationshastighed også under belastning. En konstant klingerotationshastighed giver et meget jævnt snit.

Funktion til blød start

Denne funktion muliggør blød start af maskinen ved at begrænse drejningsmomentet ved start.

SAMLING

⚠ADVARSEL: Sørg altid for, at værktøjet er slukket, og at akkuen er taget ud, før der arbejdes på værktøjet. Hvis værktøjet ikke afbrydes og tages ud af forbindelse, kan det medføre alvorlig personskade.

Opbevaring af unbrakonøgle

Når unbrakonøglen ikke anvendes, skal den opbevares som vist på illustrationen, så den ikke bortkommer.

► **Fig.36:** 1. Unbrakonøgle

Afmontering eller montering af savklinge

⚠ADVARSEL: Sørg altid for, at maskinen er slukket, og at akkuen er fjernet før afmontering eller montering af rundsavsklingen. Utilsigtet start af maskinen kan medføre alvorlig personskade.

⚠ADVARSEL: Brug kun den medfølgende Makita-nøgle til afmontering og installation af rundsavsklingen. Manglende brug af nøglen kan resultere i for hård eller utilstrækkelig tilspænding af boltten med indvendig sekskant med alvorlig personskade til følge.

⚠ADVARSEL: Brug aldrig eller udskift de dele, der ikke er leveret sammen med dette værktøj. Brugen af uretannede dele kan forårsage alvorlige personskader.

⚠ADVARSEL: Efter montering af rundsavsklingen skal du altid sikre dig, at den er forsvarligt monteret. Løs montering af rundsavsklingen kan forårsage alvorlige personskader.

Afmontering af klingens

For at fjerne rundsavsklingen skal du udføre følgende trin:

1. Lås slæden i den hævede position ved at trække i og dreje stopstiften hen i en låst position.

► **Fig.37:** 1. Stopstift 2. Ulåst position 3. Låst position

2. Brug sekskantnøglen til at løsne den sekskantbolt, der holder midterafdækningen. Løft derefter beskyttelseskærmen og midterafdækningen.

► **Fig.38:** 1. Sekskantnøgle 2. Sekskantbolt 3. Midterafdækning 4. Beskyttelsesskærm

3. Tryk på spidellåsen for at låse spindelen, og brug sekskantnøglen til at løsne boltten med indvendig sekskant, den ydre flange og rundsavsklingen.

► **Fig.39:** 1. Bolt med indvendig sekskant (venstreskåret gevind) 2. Ydre flange 3. Spidellås

4. Hvis den indre flange fjernes, skal den monteres på spindelen med siden med fordybning vendende mod rundsavsklingen. Hvis flangen monteres forkert, vil flangen gnide mod maskinen.

Til maskine med ring

(landespecifik)

► **Fig.40:** 1. Bolt med indvendig sekskant (venstreskåret) 2. Ydre flange 3. Rundsavsklinge 4. Ring 5. Indre flange 6. Spindel 7. Forsænket side

Til maskine uden ring

(landespecifik)

► **Fig.41:** 1. Bolt med indvendig sekskant (venstreskåret) 2. Ydre flange 3. Rundsavsklinge 4. Indre flange 5. Spindel 6. Forsænket side

Montering af klingen

⚠ ADVARSEL: Før klingen monteres på spindelen, skal det altid kontrolleres, at den rigtige ring til akselhullet på den klinge, du vil bruge, er monteret mellem de indre og ydre flanger. Brug af den forkerte ring til akselhullet kan medføre forkert montering af klingens, hvilket kan forårsage, at klingens bevæger sig, og kraftig rotation, hvilket kan medføre tab af kontrollen under brug og alvorlig personskade.

⚠ FORSIGTIG: Sørg for at installere rundsavsklingen, så pilens retning på klingens svarer til retningen af den på klingehuset. Manglende overholdelse kan medføre personskade og forvolde skade på maskinen og/eller arbejdsområdet.

Akselhuldiameterne for rundsavsklinger kan variere, afhængigt af hvor du bor. Brug en ring i korrekt størrelse til at fastgøre rundsavsklingen til spindelen, når huldiameteren overstiger spindel diameteren. For at montere rundsavsklingen skal du udføre følgende trin:

1. Monter rundsavsklingen forsigtigt på den indre flange. Kontroller, at retningen af pilen på rundsavsklingen svarer til retningen af pilen på klingehuset.
► **Fig.42:** 1. Pil på klingehuset 2. Pil på rundsavsklingen
2. Monter den ydre flange og bolten med indvendig sekskant. Benyt derefter sekskantsnøglen til at spænde bolten med indvendig sekskant godt til mod uret, mens der trykkes på spindellåsen.

Til maskine med ring (landespecifik)

- **Fig.43:** 1. Bolt med indvendig sekskant (venstreskåret gevind) 2. Ydre flange
3. Rundsavsklinge 4. Ring 5. Indre flange
6. Spindel 7. Side med fordybning

Til maskine uden ring (landespecifik)

- **Fig.44:** 1. Bolt med indvendig sekskant (venstreskåret) 2. Ydre flange 3. Rundsavsklinge
4. Indre flange 5. Spindel 6. Forsænket side

3. Sæt beskyttelsesskærmen og midterafdækningen tilbage på plads. Stram dernæst bolten med indvendig sekskant i retningen med uret for at holde midterafdækningen fast.
4. Træk i og drej på stopstiften i en ulåst position for at frigøre slæden fra den hævede position. Sænk slæden og kontroller at beskyttelsesskærmen bevæger sig på korrekt vis.

⚠ FORSIGTIG: Sørg for, at spindellåsen har frigivet spindelen, før der skræres.

Tilslutning af en støvsuger

Hvis du ønsker en ren skæreoperation, skal du tilslutte en Makita-støvsuger til støvmundstykket (øverste støvport) ved hjælp af en forreste manchete 24 (ekstraudstyr).

- **Fig.45:** 1. Forreste manchete 2 2. Slange
3. Støvsuger

Støvpøse

⚠ FORSIGTIG: Når der udføres skæring, skal du altid montere støvpøsen eller tilslutte støvsugeren for at forhindre støvrelaterede risici.

Brug af støvpøsen giver rene skæreoperationer og gør det let at opsamle støv. For at montere støvpøsen, fjern støvudtrækningslangen fra maskinen og tilslut støvpøsen til støvmundstykket (øverste støvport).

- **Fig.46:** 1. Støvudtrækningslange 2. Støvpøse
3. Støvmundstykke (øverste støvport)

Når støvpøsen er cirka halvt fyldt, tages den af maskinen, og lukkeskinnen trækkes ud. Tøm støvpøsen, og bank let på den, så de støvpartikler, der har samlet sig på de indvendige flader, og som kan nedsætte effektiviteten af støvopsamlingen, fjernes.

- **Fig.47:** 1. Lukkeskinne

Fastspænding af arbejdsområdet

⚠ ADVARSEL: Det er yderst vigtigt altid at sørge for, at arbejdsområdet er ordentligt fastspændt i den rigtige type skruestik eller stopper til kronefremsping. Forsømmelse af at gøre dette kan medføre alvorlig personskade og forvolde skade på maskinen og/eller arbejdsområdet.

⚠ ADVARSEL: Når der skræres i et arbejdsområde, som er længere end geringssavens støtteplade, skal materialet understøttes i hele dets længde ud over støttepladen, mens du holder materialet plant. Korrekt understøttelse af arbejdsområdet bidrager til at undgå fastklemning af klingens og eventuelt tilbageslag, hvilket kan medføre alvorlig personskade. Når du fastgør arbejdsområdet skal du ikke nøjes med kun at stole på den lodrette og/eller vandrette skruestik. Tyndt materiale har tendens til at synke. Understøt området i hele dets længde for at undgå klemme på klingens og mulig tilbageslag.

- **Fig.48:** 1. Støtte 2. Drejeskive

Anslag

⚠ ADVARSEL: Før du bruger maskinen, skal du sikre dig, at det øverste anslag er fastgjort forsvarligt.

⚠ ADVARSEL: Før der udføres et skråsnit, sørg for, at ingen del af værktøjet, specielt savklingen, kommer i kontakt med de øverste og nederste anslag, når håndtaget sænkes og hæves helt i en given position under flytning af slæden gennem hele sit bevægelsesområde. Hvis værktøjet eller klingens kommer i kontakt med anslaget, kan det resultere i tilbageslag eller uventet bevægelse af materialet og alvorlige personskader.

Brug de øverste anslag til at støtte materialet højere end de nederste anslag. Sæt det øverste anslag i hullet på det nederste anslag, og tilspænd blokeringsskruen.

- **Fig.49:** 1. Øverste anslag 2. Nederste anslag
3. Blokeringsskrue 4. Justeringskrue

BEMÆRKNING: De nederste anslag er fastgjort til fodten fra fabrikken. Fjern ikke de nederste anslag.

BEMÆRKNING: Hvis det øverste anslag stadig sidder løst, efter at du har strammet blokeringskruen, skal du dreje justeringskruen for at lukke et mellemrum. Justeringskruen er indstillet fra fabrikken. Du behøver ikke at bruge den, medmindre det er nødvendigt.

Når du ikke bruger det øverste anslag, kan du opbevare det på holderen. Brug klemmen på det øverste anslag til at holde det på holderen.

► **Fig.50:** 1. Holder 2. Øverste anslag 3. Klemme

Lodret skruestik

⚠ ADVARSEL: Arbejdsemnet skal være forsvarligt fastgjort mod drejeskiven og anslagene med skruestikken under alle typer arbejde. Hvis arbejdsemnet ikke er forsvarligt fastgjort mod anslagene, kan materialet bevæge sig under skæringen med risiko for beskadigelse af rundsavsklingen, hvilket vil få materialet til at blive slynget bort og medføre manglende kontrol og dermed forårsage alvorlig personskade.

Det lodrette skruestik kan monteres på enten venstre eller højre side af bunden. Indsæt skruestangen i hullet i bunden.

► **Fig.51:** 1. Lodret skruestik 2. Hul til lodret skruestik 3. Bund

► **Fig.52:** 1. Skruearm 2. Skruestang 3. Blokeringskruer 4. Skruenap

Placer skruearmen i overensstemmelse med arbejdsemnets tykkelse og form, og fastgør skruearmen ved at stramme skruen. Hvis blokeringskruen kommer i kontakt med slæden, skal du montere det lodrette skruestik i den modsatte side af bunden. Sørg for, at ingen del af maskinen kommer i kontakt med skruestikket, når du sænker håndtaget helt ned. Hvis nogen dele kommer i kontakt med skruestikket, skal skruestikket justeres igen. Tryk arbejdsemnet fladt mod anslagene og drejeskiven. Placer arbejdsemnet i den ønskede skæreposition, og fastgør det forsvarligt ved at stramme skruenappen.

BEMÆRK: For hurtig indstilling af arbejdsemnet skal du dreje skruenappen til 90° i retningen mod uret for at gøre det muligt at flytte skruenappen op og ned. Drej skruenappen i retningen med uret for at fastgøre arbejdsemnet efter indstillingen.

Vandret skruestik

Ekstraudstyr

⚠ ADVARSEL: Drej altid skruemøtrikken med uret, indtil emnet er forsvarligt fastgjort. Hvis arbejdsemnet ikke er ordentligt fastgjort, kan materialet bevæge sig under skæringen med risiko for beskadigelse af rundsavsklingen, hvilket kan få materialet til at blive slynget bort og medføre manglende kontrol med alvorlige personskader til følge.

⚠ ADVARSEL: Når der skæres i et tyndt arbejdsemne som f.eks. fodlister mod anslaget, skal den vandrette skruestik altid anvendes.

⚠ FORSIGTIG: Ved skæring i et arbejdsemne med en tykkelse på 20 mm eller mindre skal du sørge for at benytte en mellemblok til at fastgøre arbejdsemnet.

Den vandrette skruestik kan installeres i enten venstre eller højre side af bunden. Ved udførelse af geringsnsnit med 22,5° eller derover skal den vandrette skruestik monteres i den side, der er modsat den retning, som drejeskiven skal drejes i.

► **Fig.53:** 1. Skruerplade 2. Skruemøtrik 3. Skruenap

Ved at vippe skruemøtrikken i retningen mod uret frigøres skruestikken, og den kan bevæges hurtigt ind og ud. Arbejdsemnet fastholdes ved at skubbe skruenappen fremad, indtil skruerpladen berører arbejdsemnet, og derefter vipper skruemøtrikken i retningen med uret. Drej derefter skruenappen i retningen med uret for at fastgøre arbejdsemnet.

BEMÆRK: Den maksimale bredde af det arbejdsemne, der kan fastgøres af den vandrette skruestik, er 228 mm.

Holdere

⚠ ADVARSEL: Understøt altid et langt arbejdsemne således, at det flugter med drejeskivens øverste overflade, således at skæringen bliver nøjagtig, og for at undgå farligt tab af kontrollen med maskinen. En ordentlig understøttelse af arbejdsemnet vil bidrage til at undgå fastklemning af klingens og eventuelt tilbageslag, hvilket kan medføre alvorlig personskade.

⚠ ADVARSEL: Inden skæringen skal du altid sikre dig, at holderne er fastgjort med skrueerne.

Der er holdere i begge sider af maskinen til at holde lange arbejdsemner vandret. Løsn skrueerne, og udtræk holderne til den rette længde til at holde arbejdsemnet. Tilspænd derefter skrueerne.

► **Fig.54:** 1. Holder 2. Skruer

Når du skærer, skal du placere arbejdsemnet fladt mod anslagene.

► **Fig.55:** 1. Anslag 2. Holder

Undergrundplade

Ekstraudstyr

⚠ ADVARSEL: Understøt altid et langt arbejdsemne således, at det flugter med drejeskivens øverste overflade, således at skæringen bliver nøjagtig, og for at undgå farligt tab af kontrollen med maskinen. En ordentlig understøttelse af arbejdsemnet vil bidrage til at undgå fastklemning af klingens og eventuelt tilbageslag, hvilket kan medføre alvorlig personskade.

⚠ ADVARSEL: Inden skæringen skal du altid sikre dig, at en undergrundplade er fastgjort med skrueen.

BEMÆRK: For flere oplysninger om monteringen, følg instruktionerne, der følger med den valgfrie undergrundplade.

Monter en valgfri undergrundplade på bunden for at fastgøre lange arbejdsemner mere forsvarligt. Løsn skruen, og træk undergrundpladen til den rette længde til at holde arbejdsemnet. Tilspænd derefter skruen.

► **Fig.56:** 1. Undergrundplade 2. Skruer

Når du skærer, skal du placere arbejdsemnet fladt mod anslaget og underanslaget på undergrundpladen.

► **Fig.57:** 1. Anslag 2. Underanslag 3. Undergrundplade

Justering af underanslag

Juster underanslaget på undergrundpladen, hvis det ikke er justeret med anslaget.

1. Løsn boltene, der fastgør underanslaget ved hjælp af sekskantnøglen.
2. Placer en lige forlængerstang, såsom et firkantet stålelement, fladt mod anslaget.
3. Mens stangen sidder fladt mod anslagene, skal du justere underanslaget, så underanslagets overflade bliver flad mod stangen. Tilspænd derefter boltene.

- **Fig.58:** 1. Bolt 2. Underanslag 3. Anslag
4. Forlængerstang

ANVENDELSE

Dette værktøj er beregnet til at skære i træprodukter. Der kan også saves på følgende materialer med passende originale Makita-savklinger:

— Aluminiumsprodukter

Se vores hjemmeside eller kontakt din lokale Makita forhandler for at få oplyst de korrekte rundsavsklinger til brug for det materiale, der skal skæres.

⚠ ADVARSEL: Kontroller, at savklingen ikke kommer i berøring med emnet osv., før der tændes på kontakten. Hvis der tændes for maskinen, mens klingens er i berøring med arbejdsmønt, kan det medføre tilbageslag og alvorlig personskade.

⚠ ADVARSEL: Efter en skæring, hæv ikke savklingen, før den er standset fuldstændigt. Hvis en klinge, der kører i frihjul, hæves, kan det medføre alvorlig personskade og beskadige arbejdsmønt.

⚠ ADVARSEL: Undlad at foretage justeringer såsom at dreje indstillingsgreb, knappen og armene på værktøjet, mens savklingen roterer. Hvis du justerer, mens klingens roterer, kan det medføre alvorlig personskade.

BEMÆRKNING: Før brugen skal du sørge for at låse stopstiften op og frigøre håndtaget fra den nederste stilling.

BEMÆRKNING: Læg ikke for meget tryk på håndtaget, når der saves. Et for kraftigt tryk kan resultere i overbelastning af motoren og/eller formindsket saveeffektivitet. Tryk kun håndtaget ned med så megen kraft, som der kræves for at udføre ubesværet savning, og uden at klingens hastighed reduceres ret meget.

BEMÆRKNING: Tryk forsigtigt håndtaget ned for at udføre savningen. Hvis håndtaget trykkes ned med magt, eller hvis det udsættes for sidelæns tryk, kan savklingen vibrere og efterlade mærker (savmærker) på arbejdsmønt, og savningen vil muligvis ikke være nøjagtig.

BEMÆRKNING: Ved glidende snit skal slæden forsigtigt skubbes mod anslaget uden at stoppe. Hvis slædens bevægelse stoppes under en skæring, vil der komme et mærke på arbejdsmønt, og snittet vil muligvis ikke være nøjagtig.

Savning ved tryk

⚠ ADVARSEL: Lås altid slædens glidebevægelse, når der udføres en savning ved tryk. Savning uden lås kan medføre risiko for tilbageslag, hvilket kan føre til alvorlig personskade.

Arbejdsemner op til 68 mm i højden og 160 mm i bredden kan saves på følgende måde.

► **Fig.59:** 1. Stopstift

1. Skub slæden mod anslaget, indtil den stopper, og lås den fast med stopstiften.
2. Fastspænd arbejdsmønt med den rigtige type skruestik.
3. Tænd for maskinen uden at rundsavsklingen får kontakt med arbejdsmønt, og vent indtil rundsavsklingen har opnået sin højeste hastighed, inden du sænker den.
4. Sænk derefter grebet forsigtigt til den helt sænkede position for at skære arbejdsmønt.
5. Når afskæringen er færdig, skal du slukke for maskinen og vente indtil rundsavsklingen er standset helt, før rundsavsklingen returneres til sin fuldt hævede position.

Glidende (tryk) snit (skæring af brede arbejdsemner)

⚠ ADVARSEL: Når De udfører et glidende snit, skal slæden først trækkes hele vejen mod Dem, mens grebet trykkes helt ned, og derefter skubbes slæden fremad mod anslaget. Start aldrig skæringen, hvis slæden ikke er trukket hele vejen mod Dem. Hvis De foretager det glidende snit, uden at slæden er trukket hele vejen mod Dem, kan der opstå uventede tilbageslag med alvorlig personskade til følge.

⚠ ADVARSEL: Forsøg aldrig at udføre et glidende snit ved at trække slæden mod Dem. Hvis De trækker slæden mod Dem under skæring, kan der opstå uventede tilbageslag, hvilket kan medføre alvorlig personskade.

⚠ ADVARSEL: Udfør aldrig savning ved gliden med håndtaget låst i den nederste position.

► **Fig.60:** 1. Stopstift

1. Lås stopstiften op, så slæden kan glide frit.
2. Fastspænd arbejdsmønt med den rigtige type skruestik.
3. Træk slæden helt imod dem.
4. Tænd for værktøjet uden at savklingen får kontakt med emnet, og vent indtil savklingen har opnået sin højeste hastighed.
5. Tryk håndtaget ned, og skub slæden frem mod anslaget og gennem arbejdsmønt.
6. Når afskæringen er færdig, sluk for værktøjet og vent indtil savklingen er standset helt, før savklingen returneres til sin øverste position.

Geringssnit

Se afsnittet om justering af geringsvinklen.

Skråsnit

⚠ ADVARSEL: Efter indstilling af klingens til et skråsnit, sørg for, at slæden og savklingen kan bevæge sig uhindret gennem hele området for det planlagte snit, inden værktøjet betjenes. Afbrydelse af slædens eller klingens bevægelse under skæringen kan medføre tilbageslag og alvorlig personskade.

⚠ ADVARSEL: Hold hænderne væk fra savklingens bane, når et skråsnit udføres. Vinklen på klingens bane kan forvirre operatøren med hensyn til klingens faktiske bane under skæringen, og kontakt med klingens bane kan forårsage alvorlige personskader.

⚠ ADVARSEL: Savklingen må ikke hæves, før den er stoppet helt. Under et skråsnit kan det afskårne stykke komme til at hvile mod savklingen. Hvis klingens bane hæves, mens den roterer, kan det afskårne stykke blive slynget bort fra klingens bane, hvilket kan forårsage en fragmentering af materialet og medføre alvorlige personskader.

BEMÆRKNING: Når håndtaget trykkes ned, skal trykket lægges parallelt med klingens bane. Hvis der bruges magt vinkelret på drejeskiven, eller hvis trykkets retning ændres under skæringen, bliver det udførte snit ikke nøjagtigt.

► Fig.61

1. Fjern det øverste anslag på den side, hvor du vil vippe slæden.
2. Lås stopstiften op.
3. Juster skråvinklen ifølge den procedure, der er beskrevet i afsnittet for justering af skråvinkel. Stram derefter knappen.
4. Fastspænd arbejdsemnet i skruestikken.
5. Træk slæden helt imod dig.
6. Tænd for værktøjet, uden at savklingen berører arbejdsemnet, og vent, til klingens bane er kommet op på fulde omdrejninger.
7. Sænk forsigtigt håndtaget til den laveste position, mens der lægges tryk parallelt med savklingen, og **skyd slæden mod anslaget for at skære arbejdsemnet.**
8. Når savningen er færdig, skal De slukke for værktøjet og **vente, til klingens bane er stoppet helt**, før klingens bane returneres til dens øverste position.

Kombineret snit

Kombineret snit er betegnelsen for den proces, hvor der frembringes en skråvinkel, samtidig med at der laves en geringsvinkel i arbejdsemnet. Kombineret snit kan udføres i en vinkel som vist i nedenstående tabel.

Geringsvinkel	Skråvinkel
Venstre og højre 0° - 45°	Venstre og højre 0° - 45°

Når der udføres et kombineret snit, se afsnittet om savning ved tryk, glidende (tryk) snit, geringsssnit og skråsnit.

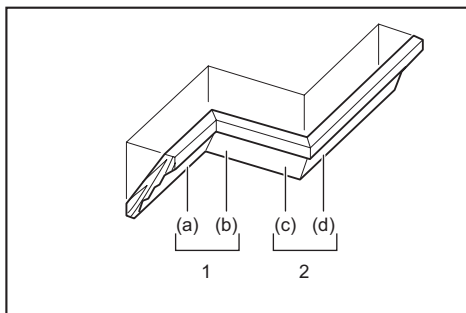
Skærekroner og indskæringsdele

Krone- og indskæringsdele kan skæres med en afkorter-geringssav med delene placeret fladt på drejeskiven.

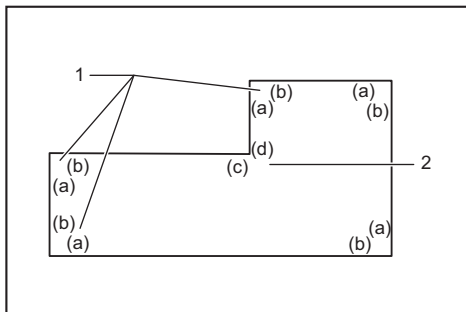
Der er to almindelige typer kronerefspring og en type indskæringsdel, 52/38° vægvinkelkrone-refspring, 45° vægvinkelkrone-refspring og 45° vægvinkelindskæringsdele.

► **Fig.62:** 1. 52/38° type kronerefspring 2. 45° type indskæringsdel 3. 45° type indskæringsdel

Der er krone- og indskæringsdel, som er lavet til at passe "indvendige" 90° hjørner ((a) og (b) i figuren) og "udvendige" 90° hjørner ((c) og (d) i figuren).



1. Indvendigt hjørne 2. Udvendigt hjørne



1. Indvendigt hjørne 2. Udvendigt hjørne

Måling

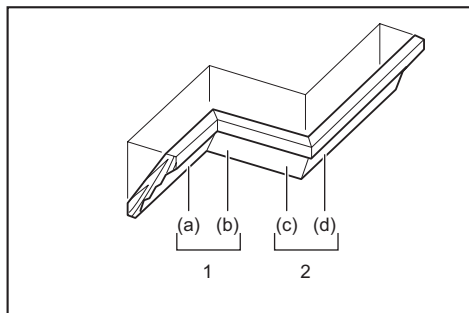
Mål vægbredden, og juster bredden af arbejdsemnet i forhold til denne. Sørg altid for, at bredden af arbejdsemnets vægkontakt er den samme som væglængden.

► **Fig.63:** 1. Arbejdsemne 2. Vægbredde 3. Bredde af arbejdsemnet 4. Vægkontaktant

Anvend altid flere stykker til prøveskæringer for at kontrollere savvinklerne.

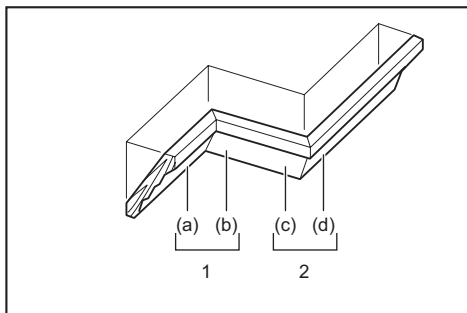
Når De skærer kronerefspring og indskæringsdele, skal skråvinklen og geringsvinklen indstilles som indikeret i tabellen (A) og delene på topfladen af savpladen placeres som indikeret i tabellen (B).

Ved venstre skråsnit



1. Indvendigt hjørne 2. Udvendigt hjørne

Ved højre skråsnit



1. Indvendigt hjørne 2. Udvendigt hjørne

Tabel (A)

–	Frem-springs-position i figuren	Skråvinkel		Geringsvinkel	
		52/38° type	45° type	52/38° type	45° type
Til indvendigt hjørne	(a)	Venstre 33,9°	Venstre 30°	Højre 31,6°	Højre 35,3°
	(b)			Venstre 31,6°	Venstre 35,3°
Til udvendigt hjørne	(c)			Højre 31,6°	Højre 35,3°
	(d)				

Tabel (A)

–	Frem-springs-position i figuren	Skråvinkel		Geringsvinkel	
		52/38° type	45° type	52/38° type	45° type
Til indvendigt hjørne	(a)	Højre 33,9°	Højre 30°	Højre 31,6°	Højre 35,3°
	(b)			Venstre 31,6°	Venstre 35,3°
Til udvendigt hjørne	(c)			Højre 31,6°	Højre 35,3°
	(d)				

Tabel (B)

–	Frem-springs-position i figuren	Frem-springs-kant mod anslag	Færdiggjort stykke
Til indvendigt hjørne	(a)	Loftskontakt-kanten bør hvile mod anslaget.	Afsluttet stykke vil være på venstre side af klingens.
	(b)	Vægkontakt-kanten bør hvile mod anslaget.	
Til udvendigt hjørne	(c)		Afsluttet stykke vil være på højre side af klingens.
	(d)	Loftskontakt-kanten bør hvile mod anslaget.	

Tabel (B)

–	Frem-springs-position i figuren	Frem-springs-kant mod anslag	Færdiggjort stykke
Til indvendigt hjørne	(a)	Vægkontakt-kanten bør hvile mod anslaget.	Det færdige stykke vil være på højre side af klingens.
	(b)	Loftskontakt-kanten bør hvile mod anslaget.	
Til udvendigt hjørne	(c)		Det færdige stykke vil være på venstre side af klingens.
	(d)	Vægkontakt-kanten bør hvile mod anslaget.	

Eksempel:

I tilfælde af skæring af 52/38° type kronefrem-spring til stilling (a) i figuren ovenfor:

- Vip og fastgør skråvinkelindstillingen til 33,9° VENSTRE.
- Juster og fastgør geringsvinkelindstillingen til 31,6° HØJRE.
- Læg kronefrem-springet med den brede bagside (skjult) nedad på drejeskiven med dens LOFTSKONTAKTKANT mod anslaget på saven.
- Det færdige stykke, som skal anvendes, vil altid være på den VENSTRE side af klingens, efter at skæringen er lavet.

Eksempel:

I tilfælde af skæring af 52/38° type kronefrem-spring til stilling (a) i figuren ovenfor:

- Vip og fastgør skråvinkelindstillingen til 33,9° HØJRE.
- Juster og fastgør geringsvinkelindstillingen til 31,6° HØJRE.
- Læg kronefrem-springet med den brede bagside (skjult) flade nedad på drejeskiven med dens VÆGKONTAKTKANT mod anslaget på saven.
- Det færdige stykke, som skal anvendes, vil altid være på den HØJRE side af klingens, efter at skæringen er lavet.

Stopper til kronefrem-spring

Ekstraudstyr

Stopperne til kronefrem-spring gør det lettere at skære kronefrem-spring uden at vippe savklingen. Monter dem på drejeskiven som vist i illustrationerne.

Ved højre 45° geringsvinkel

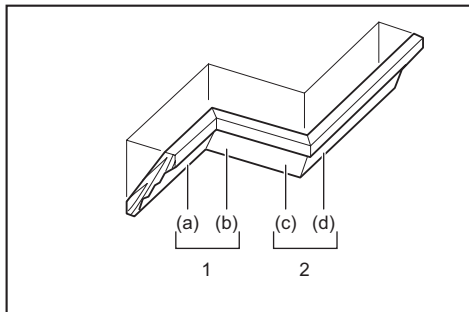
► **Fig.64:** 1. Stopper L til kronefremspring 2. Stopper R til kronefremspring 3. Drejeskive 4. Anslag

Ved venstre 45° geringsvinkel

► **Fig.65:** 1. Stopper L til kronefremspring 2. Stopper R til kronefremspring 3. Drejeskive 4. Anslag

Placer kronefremspringet med dens VÆGKONTAKTKANT mod anslaget og dens LOFTSKONTAKTKANT mod stopperne til kronefremspring som vist i illustrationen. Juster stopperne til kronefremspring i overensstemmelse med kronefremspringets størrelse. Tilspænd skruerne for at fastgøre stopperne til kronefremspring. Se tabel (C) angående geringsvinklen.

► **Fig.66:** 1. Anslag 2. Stopper til kronefremspring



1. Indvendigt hjørne 2. Udvendigt hjørne

Tabel (C)

–	Fremspringsposition i figuren	Geringsvinkel	Færdiggjort stykke
Til indvendigt hjørne	(a)	Højre 45°	Gem den højre side af klingens
	(b)	Venstre 45°	Gem den venstre side af klingens
Til udvendigt hjørne	(c)	Højre 45°	Gem den højre side af klingens
	(d)		Gem den venstre side af klingens

Skæring af aluminiumekstrudering

► **Fig.67:** 1. Skruestik 2. Mellemblok 3. Anslag 4. Aluminiumekstrudering 5. Mellemblok

Ved fastgøring af aluminiumekstruderinger skal der benyttes mellemblokke eller stykker af affaldstræ som vist i figuren til at forhindre deformation af aluminiummet. Brug et skæresmøremiddel ved skæring af aluminiumekstruderingen for at forhindre, at der opsamles aluminiumsmateriale på rundsavsklingen.

ADVARSEL: Forsøg aldrig at skære i tykke eller runde aluminiumekstruderinger. Trykke eller runde aluminiumekstruderinger kan være svære at fastgøre, og arbejdsområdet kan løse sig under skæringen, hvilket kan medføre tab af kontrollen og alvorlig personskaade.

Notiskæring

ADVARSEL: Forsøg ikke at udføre denne type skæring ved at anvende en bredere type klinge eller friseskæringsklinge. Forsøg på at udføre en notiskæring med en bredere type klinge eller en friseskæringsklinge kan medføre uventede skæringsresultater og tilbageslag, hvilket kan forårsage alvorlig personskaade.

ADVARSEL: Sørg altid for at sætte stoparmen tilbage til udgangsstillingen, når De udfører andet end notiskæring. Forsøg på at udføre skæring med stoparmen i en forkert stilling kan medføre uventede skæringsresultater og tilbageslag, hvilket kan forårsage alvorlig personskaade.

Benyt følgende fremgangsmåde for en skæring af frisetyper:

1. Juster den nederste grænseposition for rundsavsklingen ved hjælp af justeringsskruen og stoparmen for at begrænse rundsavsklingens skæredybde. Se afsnittet om stoparm.
 2. Efter justering af rundsavsklingens nedre grænseposition, skæres parallelle riller på tværs af emnets bredde ved anvendelse af glidende (tryk) snit.
- **Fig.68:** 1. Skær noter med klingens
3. Fjern materialet mellem noterne med en mejsel.

Transport af værktøj

Før maskinen bæres, sørg for at fjerne akkuen, og at alle geringssavens bevægelige dele er fastgjort. Kontroller altid følgende:

- Akkuen er fjernet.
- Slæden er i positionen 0° skråvinkel og fastgjort.
- Slæden er sænket og låst fast.
- Slæden er skubbet helt ind til anslagene og låst fast.
- Drejeskiven er i den helt retvinklede geringsvinkel og fastgjort.
- Holderen er opbevaret og fastgjort.

Bær maskinen ved at holde i begge sider af maskinens bund.

► **Fig.69**

ADVARSEL: Stopstiften til hævnings af slæden er kun til transport- og opbevaringsformål og ikke til nogen form for skæring. Anvendelse af stopstiften til skærearbejde kan føre til, at rundsavsklingen uventet bevæger sig med tilbageslag og alvorlig personskaade til følge.

FORSIGTIG: Fastgør altid alle bevægelige dele, før maskinen transporteres. Hvis dele af maskinen bevæger sig eller glider, når maskinen bæres, kan du miste herredømmet over maskinen eller miste balancen, hvilket kan medføre personskaade.

FORSIGTIG: Sørg for at hævnings af slæden er ordentligt låst ved dens bund med stopstiften. Hvis stopstiften ikke er aktiveret ordentligt, kan slæden muligvis springe pludseligt op og forårsage personskaade.

TRÅDLØS AKTIVERINGSFUNKTION

Hvad kan du foretage dig med den trådløse aktiveringsfunktion

Den trådløse aktiveringsfunktion muliggør ren og behagelig anvendelse. Hvis der slutes en understøttet støvsuger til maskinen, kan du lade støvsugeren køre automatisk, når kontakten på maskinen betjenes.

► Fig.70

Hvis du vil bruge den trådløse aktiveringsfunktion, skal du forberede følgende genstande:

- En trådløs enhed (ekstraudstyr)
- En støvsuger, der understøtter den trådløse aktiveringsfunktion

Følgende er et overblik over indstilling af den trådløse aktiveringsfunktion. Se de enkelte afsnit for detaljerede procedurer.

1. Montering af en trådløs enhed
2. Maskinregistrering til støvsugeren
3. Start af den trådløse aktiveringsfunktion

Montering af en trådløs enhed

Ekstraudstyr

⚠ FORSIGTIG: Placer maskinen på en flad og stabil overflade, når den trådløse enhed monteres.

BEMÆRKNING: Fjern støv og snavs fra maskinen, før den trådløse enhed monteres. Støv eller snavs kan forårsage funktionsfejl, hvis det kommer ind i åbningen til den trådløse enhed.

BEMÆRKNING: For at forhindre fejlfunktion forårsaget af statisk elektricitet skal du berøre et statisk afledende materiale som f.eks. en metaldel på maskinen, før du tager den trådløse enhed op.

BEMÆRKNING: Ved montering af den trådløse enhed skal du altid sikre dig, at den trådløse enhed er indsat i den korrekte retning, og at låget er lukket helt.

1. Åbn låget på maskinen som vist på figuren.

► Fig.71: 1. Låg

2. Indsæt den trådløse enhed i åbningen, og luk derefter låget.

Ved indsættelse af den trådløse enhed skal fremspringene justeres i forhold til de forsænkede dele på åbningen.

► Fig.72: 1. Trådløs enhed 2. Fremspring 3. Låg 4. Forsænket del

Ved fjernelse af den trådløse enhed åbnes låget langsomt. Krogene bag på låget løfter den trådløse enhed, når du trækker låget op.

► Fig.73: 1. Trådløs enhed 2. Krog 3. Låg

Når den trådløse enhed er fjernet, skal den opbevares i den medfølgende æske eller i en beholder, der er fri for statisk elektricitet.

BEMÆRKNING: Brug altid krogene bag på låget ved fjernelse af den trådløse enhed. Hvis krogene ikke griber fat i den trådløse enhed, skal du lukke låget helt og åbne det langsomt igen.

Maskinregistrering til støvsugeren

BEMÆRK: Du skal bruge en Makita-støvsuger, der understøtter den trådløse aktiveringsfunktion, til maskinregistreringen.

BEMÆRK: Afslut monteringen af den trådløse enhed på maskinen, før maskinregistreringen startes.

BEMÆRK: Undgå at slå følgende kontakter til under maskinregistrering:

- afbryderknop på maskinen
- støvsugerkontakt på maskinen
- tænd/sluk-kontakten på støvsugeren

BEMÆRK: Se også i brugsanvisningen til støvsugeren.

Hvis du vil aktivere støvsugeren, når kontakten på maskinen betjenes, skal du først afslutte maskinregistreringen.

1. Sæt batterierne i støvsugeren og maskinen.
 2. Sæt standby-kontakten på støvsugeren til "AUTO".
- Fig.74: 1. Standby-kontakt

3. Tryk på den trådløse aktiveringsknop på støvsugeren i 3 sekunder, indtil den trådløse aktiveringslampe blinker grønt. Tryk derefter på den trådløse aktiveringsknop på maskinen på samme måde.

► Fig.75: 1. Trådløs aktiveringsknop 2. Trådløs aktiveringslampe

Hvis støvsugeren og maskinen sammenkædes korrekt, lyser de trådløse aktiveringslamper grønt i 2 sekunder og begynder at blinke blå.

BEMÆRK: De trådløse aktiveringslamper holder op med at blinke grønt efter 20 sekunder. Tryk på den trådløse aktiveringsknop på maskinen, når den trådløse aktiveringslampe på støvsugeren blinker. Hvis den trådløse aktiveringslampe ikke blinker grønt, skal du trykke kortvarigt på den trådløse aktiveringsknop og holde den nede igen.

BEMÆRK: Når der udføres to eller flere maskinregistreringer for én støvsuger, skal maskinregistreringerne udføres en for en.

Start af den trådløse aktiveringsfunktion

BEMÆRK: Afslut maskinregistreringen for støvsugeren før den trådløse aktivering.

BEMÆRK: Se også i brugsanvisningen til støvsugeren.

Når en maskine er registreret til støvsugeren, kører støvsugeren automatisk, når kontakten på maskinen betjenes. Tryk på afbryderknappen på maskinen for at starte støvsugeren under betjening. Støvsugeren starter også med at fungere vha. tryk på støvsugerknappen på maskinen under et hvilket som helst skærearbejde.

► Fig.76

1. Monter den trådløse enhed på maskinen.
 2. Slut støvsugerens slange til maskinen.
- Fig.77
3. Sæt standby-kontakten på støvsugeren til "AUTO".
- Fig.78: 1. Standby-kontakt

4. Tryk kortvarigt på den trådløse aktiveringsknop på maskinen. Den trådløse aktiveringslampe blinker blå.

► Fig.79: 1. Trådløs aktiveringsknop 2. Trådløs aktiveringslampe

5. Tryk på maskinens afbryderknap. Kontroller, om støvsugeren kører, når der trykkes på afbryderknappen.
6. Tryk på støvsugerknappen for at starte støvsugeren. Kontroller, om den trådløse aktiveringslampe lyser blåt, og om støvsugeren bliver ved med at køre, indtil du trykker på knappen igen.
7. For at stoppe anvendelsen af støvsugeren, skal du enten slippe afbryderknappen eller trykke på støvsugerknappen igen. Støvsugeren stopper med at køre nogle få sekunder efter kontaktbetjeningen, og lampen begynder derefter at blinke blåt.

BEMÆRK: Kontaktstatus (tænding/slukning af støvsugeren) kan ses på den trådløse aktiveringslampe. Se afsnittet for beskrivelse af den trådløse aktiveringslampes status angående detaljer.

8. Tryk på den trådløse aktiveringsknap på maskinen for at stoppe den trådløse aktivering af støvsugeren.

BEMÆRK: Den trådløse aktiveringslampe på maskinen holder op med at blinke blåt, hvis der ikke sker nogen betjening i 2 timer. Indstil i så fald standby-kontakten på støvsugeren til "AUTO", og tryk på den trådløse aktiveringsknap på maskinen igen.

BEMÆRK: Støvsugeren starter/stopper med en forsinkelse. Der er en forsinkelse, når støvsugeren registrerer en betjening af kontakten på maskinen.

BEMÆRK: Den trådløse enheds transmissionsafstand kan variere afhængigt af placeringen og de omgivende forhold.

BEMÆRK: Når to eller flere maskiner er registreret til én støvsuger, begynder støvsugeren muligvis at køre, selvom du ikke trykker på afbryderknappen, eller tænder på støvsugerknappen, fordi en anden bruger anvender den trådløse aktiveringsfunktion.

Beskrivelse af den trådløse aktiveringslampes status

► Fig.80: 1. Trådløs aktiveringslampe

Den trådløse aktiveringslampe viser status for den trådløse aktiveringsfunktion. Se i tabellen nedenfor vedrørende betydningen af lampens status.

Status	Trådløs aktiveringslampe				Beskrivelse
	Farve	<input type="checkbox"/> Tændt	<input type="checkbox"/> Blinker	Varighed	
Standby	Blå	<input checked="" type="checkbox"/>	<input checked="" type="checkbox"/>	2 timer	Den trådløse aktivering af støvsugeren er tilgængelig. Lampen slukkes automatisk, hvis der ikke sker nogen betjening i 2 timer.
		<input type="checkbox"/>	<input type="checkbox"/>	Når maskinen kører.	Den trådløse aktivering af støvsugeren er tilgængelig, og maskinen kører.
Maskinregistrering	Grøn	<input checked="" type="checkbox"/>	<input type="checkbox"/>	20 sekunder	Klar til maskinregistrering. Venter på registrering fra støvsugeren.
		<input type="checkbox"/>	<input type="checkbox"/>	2 sekunder	Maskinregistreringen er fuldført. Den trådløse aktiveringslampe begynder at blinke blåt.
Annullerer maskinregistrering	Rød	<input checked="" type="checkbox"/>	<input type="checkbox"/>	20 sekunder	Klar til annullering af maskinregistrering. Venter på annullering fra støvsugeren.
		<input type="checkbox"/>	<input type="checkbox"/>	2 sekunder	Annulleringen af maskinregistreringen er fuldført. Den trådløse aktiveringslampe begynder at blinke blåt.
Andre	Rød	<input type="checkbox"/>	<input type="checkbox"/>	3 sekunder	Der er strøm til den trådløse enhed, og den trådløse aktiveringsfunktion starter.
	Slukket	-	-	-	Den trådløse aktivering af støvsugeren er stoppet.

Annulerer maskinregistrering for støvsugeren

Benyt følgende fremgangsmåde ved annullering af maskinregistreringen for støvsugeren.

1. Sæt batterierne i støvsugeren og maskinen.
2. Sæt standby-kontakten på støvsugeren til "AUTO".

► Fig.81: 1. Standby-kontakt

3. Tryk på den trådløse aktiveringsknap på støvsugeren i 6 sekunder. Den trådløse aktiveringslampe blinker grønt og bliver derefter rød. Tryk derefter på den trådløse aktiveringsknap på maskinen på samme måde.

► Fig.82: 1. Trådløs aktiveringsknap 2. Trådløs aktiveringslampe

Hvis annulleringen gennemføres korrekt, lyser de trådløse aktiveringslamper rødt i 2 sekunder og begynder at blinke blåt.

BEMÆRK: De trådløse aktiveringslamper holder op med at blinke rødt efter 20 sekunder. Tryk på den trådløse aktiveringsknap på maskinen, når den trådløse aktiveringslampe på støvsugeren blinker. Hvis den trådløse aktiveringslampe ikke blinker rødt, skal du trykke kortvarigt på den trådløse aktiveringsknap og holde den nede igen.

Fejlfinding i forbindelse med den trådløse aktiveringsfunktion

Udfør selv en inspektion, inden De anmoder om reparation. Hvis De opdager et problem, som ikke er forklaret i brugsanvisningen, må De ikke forsøge at adskille maskinen. Rådfør Dem i stedet med et autoriseret Makita Servicecenter, og brug altid originale Makita udskiftningsdele til reparationer.

Unormal tilstand	Sandsynlig årsag (fejl)	Afhjælpning
Den trådløse aktiveringslampe tændes/blinker ikke.	Den trådløse enhed er ikke monteret på maskinen. Den trådløse enhed er ikke monteret korrekt på maskinen.	Monter den trådløse enhed korrekt.
	Terminalen på den trådløse enhed og/eller åbningen er snavset.	Aftør forsigtigt støv og snavs på terminalen på den trådløse enhed, og rengør åbningen.
	Der er ikke trykket på den trådløse aktiveringsknap på maskinen.	Tryk kortvarigt på den trådløse aktiveringsknap på maskinen.
	Standby-kontakten på støvsugeren er ikke indstillet til "AUTO".	Sæt standby-kontakten på støvsugeren til "AUTO".
	Ingen strømforsyning	Tilfør strøm til maskinen og støvsugeren.
Kan ikke afslutte maskinregistrering/ annullering af maskinregistrering korrekt.	Den trådløse enhed er ikke monteret på maskinen. Den trådløse enhed er ikke monteret korrekt på maskinen.	Monter den trådløse enhed korrekt.
	Terminalen på den trådløse enhed og/eller åbningen er snavset.	Aftør forsigtigt støv og snavs på terminalen på den trådløse enhed, og rengør åbningen.
	Standby-kontakten på støvsugeren er ikke indstillet til "AUTO".	Sæt standby-kontakten på støvsugeren til "AUTO".
	Ingen strømforsyning	Tilfør strøm til maskinen og støvsugeren.
	Forkert betjening	Tryk kortvarigt på den trådløse aktiveringsknap, og udfør procedurerne for maskinregistrering/annullering igen.
	Maskinen og støvsugeren er ikke i nærheden af hinanden (uden for transmissionsafstand).	Flyt maskinen og støvsugeren tættere på hinanden. Den maksimale transmissionsafstand er cirka 10 m, men kan variere afhængigt af forholdene.
	Inden afslutning af maskinregistreringen/annulleringen; - der er trykket på afbryderknappen på maskinen eller; - der er tændt på støvsugerknappen på maskinen eller; - der er tændt på tænd/sluk-knappen på støvsugeren.	Tryk kortvarigt på den trådløse aktiveringsknap, og udfør procedurerne for maskinregistrering/annullering igen.
	Maskinregistreringsprocedurerne på maskinen eller støvsugeren er ikke fuldført.	Gennemfør maskinregistreringsprocedurerne både på maskinen og støvsugeren på samme tid.
Radiointerferens fra andre apparater, der udsender højintens radiobølger.	Hold maskinen og støvsugeren væk fra apparater som f.eks. Wi-Fi-enheder og mikrobølgeovne.	

Unormal tilstand	Sandsynlig årsag (fejl)	Afhjælpning
Støvsugeren kører ikke, når kontakten på maskinen betjenes.	Den trådløse enhed er ikke monteret på maskinen. Den trådløse enhed er ikke monteret korrekt på maskinen.	Monter den trådløse enhed korrekt.
	Terminalen på den trådløse enhed og/eller åbningen er snavset.	Aftør forsigtigt støv og snavs på terminalen på den trådløse enhed, og rengør åbningen.
	Der er ikke trykket på den trådløse aktiveringsknap på maskinen.	Tryk kortvarigt på den trådløse aktiveringsknap, og kontroller, at den trådløse aktiveringslampe blinker blåt.
	Standby-kontakten på støvsugeren er ikke indstillet til "AUTO".	Sæt standby-kontakten på støvsugeren til "AUTO".
	Der er registreret mere end 10 maskiner til støvsugeren.	Udfør maskinregistreringen igen. Hvis der er registreret mere end 10 maskiner til støvsugeren, bliver den maskine, der blev registreret tidligst, automatisk annulleret.
	Det lykkedes ikke for støvsugeren at registrere maskiner.	Forny maskinregistreringen.
	Støvsugeren har slettet alle maskinregistreringer.	Udfør maskinregistreringen igen.
	Ingen strømforsyning	Tilfør strøm til maskinen og støvsugeren.
	Maskinen og støvsugeren er ikke i nærheden af hinanden (uden for transmissionsafstand).	Flyt maskinen og støvsugeren tættere på hinanden. Den maksimale transmissionsafstand er cirka 10 m, men kan variere afhængigt af forholdene.
Radiointerferens fra andre apparater, der udsender højintens radiobølger.	Hold maskinen og støvsugeren væk fra apparater som f.eks. Wi-Fi-enheder og mikrobølgeovne.	
Støvsugeren kører, mens der ikke er nogen af maskinens kontakter i brug.	Andre brugere anvender den trådløse aktivering af støvsugeren med deres maskiner.	Deaktiver den trådløse aktiveringsknap på de andre maskiner, eller annuller maskinregistreringen af de andre maskiner.

VEDLIGEHOLDELSE

⚠ ADVARSEL: Vær altid sikker på, at værktøjet er slukket, og at akkuen er taget ud, inden De begynder at udføre inspektion eller vedligeholdelse. Hvis du ikke fjerner akkuen og slukker for maskinen, kan det medføre utilsigtet start af maskinen, hvilket kan forårsage alvorlig personskade.

⚠ ADVARSEL: Sørg altid for, at rundsavsklingen er skarp og ren, for at opnå det bedste og sikreste resultat. Forsøg på at skære med en sløv og/eller snavset klinge kan medføre tilbageslag og resultere i alvorlig personskade.

⚠ FORSIGTIG: Sørg altid for, at beskyttelsesskærmen lukkes i den oprindelige position, inden du prøver at udføre inspektion eller vedligeholdelse. Under rengøring må beskyttelsesskærmen aldrig klæmmes eller bindes til åben position. En udsat klinge kan resultere i personskade.

BEMÆRKNING: Anvend aldrig benzin, rensebenzin, fortynder, alkohol og lignende. Det kan medføre misfarvning, deformation eller revner.

For at opretholde produktets SIKKERHED og PÅLIDELIGHED må reparation, vedligeholdelse eller justering kun udføres af et autoriseret Makita servicecenter eller fabrikksservicecenter med anvendelse af Makita reservedele.

Justering af skærevinklen

Dette værktøj er omhyggeligt indstillet og justeret på fabrikken, men indstillingerne kan ændre sig under transport og brug. De kan selv foretage indstillinger som beskrevet herunder, hvis værktøjet ikke er indstillet korrekt:

Geringsvinkel

Sænk håndtaget helt, og lås det i den laveste position ved hjælp af stopstiften. Skub slæden mod anslaget. Drej indstillingsgrebet mod uret, og gør drejeskiven klar til fast stop-funktionen ved hjælp af låsearmen. Løsn derefter de skruer, der fastgør viseren og geringsvinkelskalaen.

► **Fig.83:** 1. Indstillingsgreb 2. Låsearm 3. Skrue på viseren 4. Skrue på geringsvinkelskala 5. Geringsvinkelskala

Indstil drejeskiven til positionen 0° ved hjælp af fast stop-funktionen. Vinkl siden af rundsavsklingen i forhold til anslagets flade ved hjælp af en trekantslineal eller anslagsvinkel. Oprethold denne justering mens du strammer skrueerne på geringsvinkelskalaen. Juster derefter viserne (både højre og venstre) i forhold til 0°-positionen på geringsvinkelskalaen, og stram derefter skrueen på viseren.

► **Fig.84:** 1. Trekantslineal 2. Viser

Skråvinkel

0° skråvinkel

Skub slæden mod anslagene, og lås glidebevægelsen med stopstiften. Sænk slæden helt, og lås den i den sænkede position med stopstiften. Drej knappen mod uret, og drej derefter 0°-justeringsbolten gennem to eller tre omdrejninger mod uret for at vippe rundsavsklingen til højre.

► **Fig.85:** 1. Knap 2. Justeringsbolt til 0° 3. Skrue på viseren

Vinkl omhyggeligt siden af rundsavsklingen i forhold til drejeskivens øverste flade ved hjælp af en trekantslineal, anslagsvinkel osv. ved at dreje justeringsbolten til 0° med uret. Stram derefter knappen godt til for at fastholde den indstillede vinkel på 0°.

► **Fig.86:** 1. Trekantslineal 2. Savklinge 3. Øverste flade af drejeskiven

Kontroller igen, om siden af rundsavsklingen er vinklet i forhold til drejeskivens overflade. Løsn skruen på viseren. Juster viseren i forhold til 0°-positionen på skråvinkelskalaen, og stram derefter skruen.

45° skråvinkel

BEMÆRKNING: Før du justerer 45° skråvinklen, skal du fuldføre justeringen af 0° skråvinklen.

Løsn knappen, og vip slæden helt til den side, du vil kontrollere. Kontroller, at viseren angiver positionen 45° på skråvinkelskalaen.

► **Fig.87:** 1. Knap

Hvis viseren ikke angiver 45°-positionen, skal du justere den i forhold til 45°-positionen ved at dreje på justeringsbolten på skråvinkelskalaen på bundens modsatte side.

► **Fig.88:** 1. Venstre justeringsbolt til 45° 2. Højre justeringsbolt til 45°

Rengøring af lampens linse

⚠FORSIGTIG: Fjern altid rundsavsklingen inden du rengør lampens linse.

BEMÆRKNING: Undlad at fjerne den skrue, der holder linsen. Løsn skruen lidt mere, hvis linsen ikke kommer ud.

BEMÆRKNING: Brug en tør klud til at tørre snavset af lampens linse. Pas på ikke at ridse lampens linse, da dette muligvis kan dæmpe belysningen.

BEMÆRKNING: Anvend ikke opløsningsmidler eller oliebaseerede rengøringsmidler på linsen.

LED-lyset bliver svært at se, hvis linsen til lyset bliver snavset. Rengør linsen med regelmæssige mellemrum. Fjern akkuen. Løsn skruen, og træk linsen ud. Rengør forsigtigt linsen med en fugtig blød klud.

► **Fig.89:** 1. Skrue 2. Linse

Efter anvendelse

Efter anvendelse aftørres spåner eller støv, der måtte klæbe til værktøjet, med en klud eller lignende. Hold beskyttelsesskærmen ren som beskrevet i afsnittet "Beskyttelsesskærm". Smør de glidende dele på værktøjet med maskinolje for at forhindre rustdannelse.

EKSTRAUDSTYR

⚠ADVARSEL: Dette Makita udstyr og tilbehør bør anvendes sammen med den Makita maskine, der er beskrevet i denne brugsanvisning.

Anvendelse af andet ekstraudstyr eller tilbehør kan medføre alvorlig personskade.

⚠ADVARSEL: Anvend kun Makita ekstraudstyr eller tilbehør til det beregnede formål. Misbrug af ekstraudstyr eller tilbehør kan medføre alvorlig personskade.

Hvis De behøver hjælp ved valg af tilbehør eller ønsker yderligere informationer, bedes De kontakte Deres lokale Makita servicecenter.

- Savklinge med hårdmetalplatte
- Lodret skruestik
- Vandret skruestik
- Stoppersæt til kronefremspring
- Støvpose
- Trekantslineal
- Sekskantnøgle
- Trådløs enhed
- Understel
- Undergrundplade
- Original Makita-akku og oplader

BEMÆRK: Nogle ting på denne liste kan være inkluderet i værktøjspakken som standardtilbehør. Det kan være forskellige fra land til land.

SPECIFIKĀCIJAS

Modelis:		LS004G
Asmens diametrs	Eiropas valstis	260 mm
	Valstis ārpus Eiropas	255 mm–260 mm
Atveres diametrs	Eiropas valstis	30 mm
	Valstis ārpus Eiropas (atkarībā no valsts)	15,88 mm/25,4 mm/30 mm
Zāģa asmens iezāģējuma maks. biezums		3,2 mm
Maks. zāģēšanas leņķis		Labais 60°, kreisais 60°
Maks. slīpais leņķis		Labais 48°, kreisais 48°
Ātrums bez slodzes (apgr./min)		3 600 min ⁻¹
Izmēri (G x P x A)		805 mm x 644 mm x 660 mm
Nominālais spriegums		Līdzstrāva 36 V–40 V maks.
Neto svars		26,6–27,2 kg

Zāģēšanas jauda (A x P)

Zāģēšanas leņķis	Slīpleņķa zāģēšana		
	45° (pa kreisi)	0°	45° (pa labi)
0°	42 mm x 310 mm 58 mm x 279 mm	68 mm x 310 mm 91 mm x 279 mm	29 mm x 310 mm 43 mm x 279 mm
45° (pa labi un pa kreisi)	42 mm x 218 mm 58 mm x 197 mm	68 mm x 218 mm 91 mm x 197 mm	29 mm x 218 mm 43 mm x 197 mm
60° (pa labi un pa kreisi)	-	68 mm x 155 mm 91 mm x 139 mm	-

Zāģēšanas jauda speciāliem zāģēšanas veidiem

Zāģēšanas veids	Griešanas jauda
Griestu cokols 45° leņķī (izmantojot griestu cokola aiztura kloķi)	168 mm
Grīdlīste (izmantojot horizontālās skrūvspīles)	133 mm

- Nepārtrauktās izpētes un izstrādes programmas dēļ šeit uzrādītās specifikācijas var tikt mainītas bez brīdinājuma.
- Atkarībā no valsts specifikācijas var atšķirties.
- Svars var būt atšķirīgs atkarībā no papildierīces(-ēm), tostarp akumulatora kasetnes. Tabulā ir attēlota vieglākā un smagākā kombinācija atbilstoši EPTA procedūrai 01/2014.

Piemērotā akumulatora kasetne un lādētājs

Akumulatora kasetne	BL4020 / BL4025 / BL4040* / BL4050F* *: leteicamais akumulators
Lādētājs	DC40RA / DC40RB / DC40RC

- Daži no iepriekš norādītajiem lādētājiem un akumulatora kasetnēm var nebūt pieejami atkarībā no jūsu mītnes reģiona.

⚠ BRĪDINĀJUMS: Izmantojiet vienīgi iepriekš norādītās akumulatora kasetnes un lādētājus. Cita tipa akumulatora kasetņu un lādētāju izmantošana var radīt traumu un/vai aizdegšanās risku.

Simboli

Tālāk ir attēloti simboli, kas var attiekties uz darbarīka lietošanu. Pirms darbarīka izmantošanas pārliecinieties, vai pareizi izprotat to nozīmi.



Izlasiet lietošanas rokasgrāmatu.



Izmantojiet aizsargbrilles.



Lai izvairītos no atlecošiem gruziem, turpiniet turēt zāga augšdaļu uz leju līdz asmens ir pilnībā apstājies.



Slīpenka zāgēšanas laikā vispirms pagrieziet rokturi pretēji pulksteņrādītāju kustības virzienam un tad sasveriet atbalstu. Pēc tam pagrieziet rokturi pulksteņrādītāju kustības virzienā, lai nofiksētu.



Veicot slīdes zāgēšanu, vispirms pavelciet rāmi līdz galam un nospiediet rokturi, pēc tam bīdīet rāmi virzošās barjeras virzienā.



Sasverot atbalstu pa labi, turiet nospiestu atlaišanas pogu.



Darbiniet aizruta sviru, kad griežat grīdlieti 45° zāgēšanas leņķī.



Neturiet roku vai pirkstus asmens tuvumā.



Neskatieties tieši darba lampas gaismas starā.



A: asmens diametrs
B: atveres diametrs



Neuzstādi horizontālās skrūvspļes tādā pašā virzienā, kādā veic slīpo iegriezumu. (Šis simbols piemērojams horizontālajām skrūvspļēm.)



Tikai ES valstīm
Tā kā šajā aprīkojumā ir bīstamas sastāvdaļas, elektrisko un elektronisko iekārtu, akumulatoru un bateriju atkritumi var negatīvi ietekmēt apkārtējo vidi un cilvēka veselību. Elektroierīces, elektroniskās ierīces un akumulatorus nedrīkst izmest kopā ar mājāsaimniecības atkritumiem! Saskaņā ar Eiropas direktīvu par elektrisko un elektronisko iekārtu atkritumiem, akumulatoriem un baterijām, kā arī akumulatoru un bateriju atkritumiem un šīs direktīvas pielāgošanu valsts tiesību aktiem elektrisko un elektronisko iekārtu, bateriju un akumulatoru atkritumi ir jāglabā atsevišķi un jānogādā uz sadzīves atkritumu dalītās savākšanas vietu, ievērojot attiecīgos vides aizsardzības noteikumus. Par to liecina uz iekārtas redzams simbols ar pārsvītrotu atkritumu konteineru uz rīķiem.

Paredzētā izmantošana

Šis darbarīks ir paredzēts precīziem taisniem un slīpiem iegriezumiem kokā.

Neizmantojiet zāģi, lai zāģētu materiālus, kas nav koks, alumīnijs vai līdzīgi materiāli.

Trokšņa līmenis

Tipiskais A svērtais trokšņa līmenis noteikts saskaņā ar EN62841-3-9:

Skaņas spiediena līmeni (L_{pA}): 91 dB (A)

Skaņas jaudas līmeni (L_{WA}): 100 dB (A)

Mainīgums (K): 3 dB (A)

PIEZĪME: Paziņotā trokšņa emisijas vērtība noteikta atbilstoši standarta pārbaudes metodei, un to var izmantot, lai salīdzinātu vienu darbarīku ar citu.

PIEZĪME: Paziņoto trokšņa emisijas vērtību arī var izmantot iedarbības sākotnējā novērtējumā.

▲BRĪDINĀJUMS: Lietojiet ausu aizsargus.

▲BRĪDINĀJUMS: Trokšņa emisija patiesos darba apstākļos var atšķirties no paziņotās vērtības atkarībā no darbarīka izmantošanas veida un jo īpaši atkarībā no apstrādājamā materiāla veida.

▲BRĪDINĀJUMS: Lai aizsargātu lietotāju, nosakiet drošības pasākumus, kas pamatoti ar iedarbību reālos darba apstākļos (ņemot vērā visus ekspluatācijas cikla posmus, piemēram, laiku, kamēr darbarīks ir izslēgts un kad darbojas tukšgaitā, kā arī palaišanas laiku).

EK atbilstības deklarācija

Tikai Eiropas valstīm

EK atbilstības deklarācija šajā lietošanas rokasgrāmatā ir iekļauta kā A pielikums.

DROŠĪBAS BRĪDINĀJUMI

Vispārīgi elektrisko darbarīku drošības brīdinājumi

▲BRĪDINĀJUMS: Izlasiet visus drošības brīdinājumus, instrukcijas, apskatiet ilustrācijas un tehniskos datus, kas iekļauti mehānizētā darbarīka komplektācijā. Ja netiek ievēroti visi tālāk minētie noteikumi, var tikt izraisīta elektrotrauma, notikt aizdegšanās un/vai rasties smagas traumas.

Glabājiet visus brīdinājumus un norādījumus, lai varētu tajos ieskatīties turpmāk.

Termins „elektrisks darbarīks” brīdinājumos attiecas uz tādu elektrisko darbarīku, ko darbina ar elektrību (ar vadu), vai tādu, ko darbina ar akumulatoru (bez vada).

Drošības norādījumi leņķzāģiem

1. Leņķzāģi paredzēti koka vai kokam līdzīgu materiālu zāgēšanai, un tos nevar izmantot ar abrazīvajām griešanas ripām, lai grieztu metāla izstrādājumus, piemēram, sijas, stieņus, skrūves u. tml. Abrazīvie putekļi izraisa kusiģo daļu, piemēram, apakšējā aizsarga, iestrēgšanu. Dzirksteles, kas rodas, griežot ar abrazīvo ripu, aizdedzinās apakšējo aizsargu, iezāgēšanas plātni un citas plastmasas daļas.

2. Kad iespējams, apstrādājamā materiāla atbalstam izmantojiet skavas. Atbalstot apstrādājamo materiālu ar plaukstu, turiet plaukstu vismaz 100 mm attālumā no abām zāga asmenis pusēm. Neizmantojiet šo zāgi, lai zāgētu detaļas, kuras nelielā izmēra dēļ nav iespējams droši fiksēt ar skavām vai turēt ar plaukstu. Turot plaukstu pārāk tuvu zāga asmenim, var pieskarties asmenim un ievainot plaukstu.
 3. Apstrādājamajam materiālam jābūt nekustīgam un fiksētam ar skavām vai piespiestam pie ierobežotāja vai galda. Nekādā gadījumā nevīrzieliet apstrādājamo materiālu pret asmeni un nezāgējiet ar „brīvu roku”. Liels ātrums var aizsviest nefiksētus vai kustīgus apstrādājamus materiālus, tādējādi radot ievainojumus.
 4. Spiediet zāgi caur apstrādājamo materiālu. Nevelciet zāgi caur apstrādājamo materiālu. Lai veiktu griezumus, paceliet zāga galvu un nezāgējot velciet to pār apstrādājamo materiālu, iedarbiniet motoru, nospiediet zāga galvu leļup un spiediet zāgi caur apstrādājamo materiālu. Velkot zāga asmens var iznākt apstrādājamā materiāla virspusē un ar spēku atgrūst asmens mezglu operatora virzienā.
 5. Nekādā gadījumā nelieciet plaukstu ne uz paredzētās zāgēšanas līnijas, ne arī zāga asmens priekšā vai aizmugurē. Apstrādājamo materiālu fiksējot ar sakrustotām rokām, t. i., ar kreiso roku turot apstrādājamo materiālu zāga asmens labajā pusē vai otrādi, var radīt ļoti bīstamu situāciju.
- Att.1
6. Asmenim griežoties, nesniedzieties ar rokām aiz ierobežotāja tuvāk par 100 mm katrā zāga asmens pusē, lai notīrītu koka atgriezumus vai veiktu citas darbības. Jūs nevarēsiet novērtēt attālumu no rotējošā zāga asmens līdz rokai un varat smagi savainoties.
 7. Pirms zāgēšanas pārbaudiet apstrādājamo materiālu. Ja apstrādājams materiāls ir izliekts vai sameties, iespīļējiet to, novietojot uz ārpusi izliekto virsmu pret ierobežotāju. Vienmēr pārliecinieties, ka starp apstrādājamo materiālu, ierobežotāju un galdu gar griezuma līniju nav spraugas. Izliekti vai sametušies apstrādājamo materiāli var pagriezties vai pabīdīties, tādējādi zāgēšanas laikā ieķīļējot zāga asmeni. Apstrādājamajā materiālā nedrīkst būt naglas vai citi svešķermeņi.
 8. Pirms zāgēšanas noņemiet no galda visus instrumentus, koka atgriezumus u. tml., atstājiet tikai apstrādājamo materiālu. Rotējošais asmens var aizķert sīkus grūžus vai koka gabalus un citus priekšmetus un aizsviest tos ar lielu ātrumu.
 9. Vienlaikus zāgējiet tikai vienu apstrādājamo materiālu. Vairākas citu citam uzkrautus apstrādājamus materiālus nevar droši fiksēt ar skavām vai atbalstīt, un zāgēšanas laikā tajos var iestrēgt asmens vai tie var pabīdīties.
 10. Pirms lietošanas montējiet vai novietojiet leņķzāgi uz horizontālas, stabilas darba virsmas. Horizontāla, stabila darba virma samazina leņķzāga nestabilitātes risku.
 11. Plānojiet darba gaitu. Katru reizi, mainot slīpenķa vai leņķa iestatījumu, iestatiet pareizi regulējamo ierobežotāju, lai tas atbalstītu apstrādājamo materiālu un nepieskartos asmenim vai aizsargsistēmai. Neieslēdzot darbarīku „ON” režīmā un nenovietojot uz galda apstrādājamo materiālu, virziet zāga asmeni, modelējot paredzēto griezumumu, lai nodrošinātu, ka nenotiks saskare vai neiezāgēsiet ierobežotāju.
 12. Zāgējot apstrādājamo materiālu, kas ir plātaks vai garāks par galda virsmu, izmantojiet piemērotu paliktņi, piemēram, galda pagarinātājus, kokzāgēšanas steķi u. tml. Nepietiekami atbalstīti apstrādājamo materiāli, kas garāki vai plātāki par leņķzāga galda virsmu, var nokrist. Nozāgētais gabals vai apstrādājams materiāls krītot var pacelt apakšējo aizsargu vai rotējošais asmens to var aizsviest.
 13. Galda pagarinājumam vai papildu atbalstam neizmantojiet cita cilvēka palīdzību. Nestabila apstrādājamā materiāla pamatne zāgēšanas procesā var izraisīt asmens ieķīļēšanos vai apstrādājamā materiāla pārbīdi, uzstumjot jūsu palīgu uz rotējošā zāga asmens.
 14. Nozāgēto gabalu nekādā gadījumā nedrīkst ieķīļēt rotējošā zāga asmeni vai tam piespiest. Piespiests nozāgētais gabals, t. i., izmantojot piebīdņus, var iestrēgt pie asmens, kas to var spēcīgi aizsviest.
 15. Vienmēr izmantojiet skavas vai stiprinājumu, kas paredzēti apaļu materiālu, piemēram, stieņu vai cauruļu, pareizai balstīšanai. Zāgēšanas procesā stieņi var rīpot, asmens iecirsīs stienī un ievilkst materiālu ar jūsu roku pret asmeni.
 16. Pirms pieskaršanās apstrādājamajam materiālam ar zāgi ļaujiet asmenim griezties ar maksimālo ātrumu. Tādējādi samazināsies apstrādājamā materiāla aizmešanas risks.
 17. Ja apstrādājams materiāls vai asmens iestrēdzis, izslēdziet leņķzāgi. Nogaidiet, līdz visas kustīgās daļas apstājas, atvienojiet spraudni no strāvas avota un/vai izņemiet akumulatora bloku. Pēc tam atbrīvojiet iestrēgušo materiālu. Turpinot zāgēt, ja apstrādājams materiāls ir iestrēdzis, leņķzāgis var kļūt nevadāms vai sabojāties.
 18. Pēc griezuma pabeigšanas un pirms nozāgētā gabala noņemšanas, atlaidiet slēdzi, turiet zāga galvu leļup un nogaidiet, līdz asmens apstājas. Pieskaroties pēc inerces rotējoša asmens tuvumā, var rasties bīstama situācija.
 19. Veicot nepilnīgu griezumumu vai atlaižot slēdzi pirms zāga galva ir nolaista pavisam, turiet roturi stingri. Zāga bremzēšanas kustība var piepeši paraut leļup zāga galvu, tādējādi radot savainošanās risku.
 20. Izmantojiet zāga asmeņus tikai ar tādu diametru, kāds norādīts uz darbarīka vai rokasgrāmātā. Izmantojot nepareiza izmēra asmeni, var tikt ietekmēta asmens pienācīga aizsardzība vai aizsarga darbība, un tas var izraisīt smagas traumas.
 21. Izmantojiet tikai tādus zāga asmeņus, kas ir marķēti ar ātrumu, kas ir tāds pats vai lielāks kā uz darbarīka norādītais ātrums.

22. Neizmantojiet zāģi, lai zāģētu materiālus, kas nav koks, alumīnijs vai līdzīgi materiāli.
23. (Tikai Eiropas valstīm)
Vienmēr izmantojiet asmeni, kas atbilst standartam EN847-1.
14. Pirms slēdža ieslēgšanas pārliecinieties, vai vārpstas bloķētājs ir atlaists.
15. Pārliecinieties, vai zemākajā stāvoklī asmens nesaskaras ar pagriežamo pamatni.
16. Rokturī turiet stingri. Ņemiet vērā, ka zāģis, sākot darbu un apstājoties, nedaudz pavirzās augšup vai lejup.

Papildu norādījumi

1. Ar piekaramo slēdzeni nodrošiniet, lai darbnicā neiekļūtu bērni.
2. Nekādā gadījumā nestāviet uz darbarīka. Darbarīkam krītot vai nejauši iedarbinot griešanas instrumentu, var gūt smagus ievainojumus.
3. Nekad neatstāriet darbarīku ieslēgtu bez uzraudzības. Izslēdziet strāvas padevi. Neatstāriet darbarīku bez uzraudzības, kamēr tā darbība nav pavisam apstājusies.
4. Nelietojiet zāģi, ja aizsargi nav uzlikti. Pirms katras lietošanas reizes pārbaudiet, vai asmens aizsargs aizveras pareizi. Nelietojiet zāģi, ja asmens aizsargs nevirzās brīvi un nekavējoties neaizveras. Nekad neiespīlējiet un nepiesieniet asmens aizsargu atvārtā stāvoklī.
5. Turiet rokas drošā attālumā no zāģa asmens ceļa. Neskarities pie asmens, kas griežas pēc inerces. Tas vēl joprojām var izraisīt smagu ievainojumu.
6. Lai samazinātu ievainojumu risku, pēc katras šķērseniskās zāģēšanas reizes atvelciet slīdrāmi atpakaļ līdz galam.
7. Pirms darbarīka nešanas vienmēr nostipriniet visas kustīgās daļas.
8. Sprūdtapa vai aiztura svira, kas zāģa galvu nofiksē lejup, ir paredzēta tikai pārnēsāšanai un uzglabāšanai, nevis zāģēšanas darbu veikšanai.
9. Pirms darba veikšanas rūpīgi pārbaudiet, vai asmenim nav plaisu vai bojājumu. Ieplaisājušu vai bojātu asmeni nekavējoties nomainiet. Ja uz asmeņiem pielipuši sveķi un koka darva, zāģa darbība kļūst lēnāka un atsitienu risks palielinās. Rauģieties, lai asmens būtu tīrs, vispirms to noņemot no darbarīka, tad notīrot ar sveķu un darvas tīrītāju, karstu ūdeni vai petroleju. Asmens tīrīšanai nekādā gadījumā neizmantojiet benzīnu.
10. Veicot slīdes zāģēšanu, var rasties ATSIITIENS. ATSIITIENS rodas, ja, veicot griezumus, asmens iecerētas apstrādājamajā materiālā un zāģa asmens tiek strauji pagriezts pret operatoru. Zāģis var kļūt nevadāms un radīt smagus ievainojumus. Ja, veicot griezumus, asmens sāk iekļerties, nekavējoties pārtrauciet zāģēšanu un atļaidiet slēdzi.
11. Izmantojiet tikai šim darbarīkam paredzētus atlokus.
12. Uzmanieties, lai nesabojātu asi, atlokus (jo īpaši uzstādīšanas virsmu) vai skrūvi. Ja šīs daļas ir bojātas, asmens var salūzt.
13. Pārliecinieties, vai pagriežamā pamatne ir pareizi nostiprināta un darba laikā nekustēsies. Lai piestiprinātu zāģi uz stabilas darba pamatnes vai sola, izmantojiet caurumus zāģa pamatnē. NEKAD neizmantojiet darbarīku, ja operatoram nav ērta darba pozīcija.
17. Pirms slēdža ieslēgšanas pārliecinieties, ka asmens nepieskaras apstrādājamajam materiālam.
18. Pirms darbarīka lietošanas materiāla apstrādei, nedaudz padarbiniet to bez slodzes. Pievērsiet uzmanību vibrācijai vai svārstībām, jo tas var liecināt par nepareizu uzstādīšanu vai slikti līdzsvarotu asmeni.
19. Nekavējoties pārtrauciet darbu, ja ievērojāt novirzes.
20. Nebloķējiet mēlīti ieslēgtā stāvoklī „ON”.
21. Vienmēr izmantojiet piederumus, kas ieteikti šajā rokasgrāmatā. Izmantojot nepiemērotus piederumus, piemēram, abrazīvo ripu, var savainoties.
22. Daži materiāli satur ķīmiskas vielas, kas var būt toksiskas. Izvairieties no putekļu ieelpošanas un to nokļūšanas uz ādas. Ievērojiet materiāla piegādātāja drošības datus.
23. Šim darbarīkam neizmantojiet barošanas avotu ar vadu.

Papildu drošības noteikumi darba lampas izmantošanai

1. Neskatieties gaismā, neapskatiet tās avotu tieši.

SAGLABĀJIET ŠOS NORĀDĪJUMUS.

▲BRĪDINĀJUMS: NEPIEĻAUJIET to, ka labu iemaņu vai izstrādājuma labas pārzināšanas (darbarīku atkārtoti ekspluatējot) rezultātā vairs stingri ievērojot šī izstrādājuma drošības noteikumus. NEPAREIZI LIETOJOT darbarīku vai neievērojot šajā instrukcijā rokasgrāmatā minētos drošības noteikumus, var tikt gūtas smagas traumas.

Svarīgi drošības norādījumi par akumulatora kasetni

1. Pirms akumulatora lietošanas izlasiet visus norādījumus un brīdinājumus, kuri attiecas uz (1) akumulatora lādētāju, (2) akumulatoru un (3) ierīci, kurā tiek izmantots akumulators.
2. Akumulatora kasetni nedrīkst ne pārveidot, ne izjaukt. Citādi var tikt izraisīta aizdegšanās, pārmerīgs karstums vai sprādziens.
3. Ja akumulatora darbības laiks kļuva ievērojami īsāks, nekavējoties pārtrauciet to izmantot. Citādi, tas var izraisīt pārkarsējumu, uzliesmojumu vai pat sprādzienu.
4. Ja elektrolīts nonāk acīs, izskalojiet tās ar tīru ūdeni un nekavējoties griezieties pie ārsta. Tas var izraisīt redzes zaudēšanu.

5. Neradiet īssavienojumu akumulatora kasetnē:

- (1) Nepieskarieties spaiļēm ar elektrību vadošiem materiāliem.
- (2) Neuzglabājiet akumulatoru kasetni kopā ar citiem metāla priekšmetiem, tādiem kā naglas, monētas u. c.
- (3) Nepakļaujiet akumulatora kasetni ūdens vai lietus iedarbībai.

Akumulatora īssavienojums var radīt spēcīgu strāvas plūsmu, pārkaršanu, uzliesmojumu un pat sabojāt akumulatoru.

6. Neglabājiet un neizmantojiet darbarīku un akumulatora kasetni vietās, kur temperatūra var sasniegt vai pārsniegt 50 °C (122 °F).
7. Nededziniet akumulatora kasetni, pat ja tā ir stipri bojāta vai pilnībā nolietota. Akumulatora kasetne ugunī var eksplodēt.
8. Akumulatora kasetni nedrīkst naglot, griezt, saspīst, mest vai nomet, kā arī pa to nedrīkst sist ar cietu priekšmetu. Šādas darbības var izraisīt aizdegšanos, pārmērīgu karstumu vai sprādzienu.
9. Neizmantojiet bojātu akumulatoru.
10. Uz izmantotajiem litija jonu akumulatoriem attiecas likumdošanas prasības par bīstamiem izstrādājumiem.
Komerציālā transportēšanā, ko veic, piemēram, tresās puses, transporta uzņēmumi, jāievēro uz iesaiņojuma un marķējuma norādītās īpašās prasības.
Lai izstrādājumu sagatavotu nosūtīšanai, jāsaziņās ar bīstamo materiālu speciālistu. Ievērojiet arī citus attiecināmos valsts normatīvus.
Valējus kontaktus nosedziet ar līmlenti vai citādi pārklājiet, bet akumulatoru iesaiņojiet tā, lai sainītas nevarētu izkustēties.
11. Lai utilizētu akumulatora kasetni, izņemiet to no darbarīka un likvidējiet drošā vietā. Ievērojiet vietējos noteikumus par akumulatora likvidēšanu.
12. Izmantojiet šos akumulatorus tikai ar izstrādājumiem, kurus norādījis Makita. Ievietojot šos akumulatorus nesaderīgos izstrādājumos, var rasties ugunsgrēks, pārmērīgs karstums, tie var uzsprāgt vai no tiem var iztecēt elektrolīts.
13. Ja darbarīks netiks lietots ilgu laiku, no tā jāizņem akumulators.
14. Lietošanas laikā vai pēc tās akumulatora kasetne var uzkrāt siltumu, kas var izraisīt apdegumus vai zemas temperatūras apdegumus. Ar karstu akumulatora kasetni apejieties rūpīgi.
15. Nepieskarieties darbarīka izvadam uzreiz pēc lietošanas, jo tas var būt sakarsis un izraisīt apdegumus.
16. Neļaujiet akumulatora kasetnes izvadā, atverēs un rievās uzkrāties skaidām, putekļiem vai augsnei. Tādējādi darbarīks vai akumulatora kasetne var sākt darboties nekvalitatīvi vai tikt sabojāti.
17. Neizmantojiet akumulatora kasetni augstsprieguma līniju tuvumā, izņemot gadījumus, kad darbarīks ir piemērots lietošanai augstsprieguma līniju tuvumā. Citādi darbarīks vai akumulatora kasetne var sākt darboties nepareizi vai tikt sabojāti.

18. Glabājiet akumulatoru bērniem nepieejamā vietā.

SAGLABĀJIET ŠOS NORĀDĪJUMUS.

▲UZMANĪBU: Lietojiet tikai oriģinālos Makita akumulatorus. Ja lietojat neoriģinālus Makita akumulatorus vai pārveidotus akumulatorus, tie var uzsprāgt un izraisīt aizdegšanos, traumas un materiālos zaudējumus. Tikas anulēta arī Makita darbarīka un lādētāja garantija.

Ieteikumi akumulatora kalpošanas laika pagarināšanai

1. Uzlādējiet akumulatora kasetni, pirms tā ir pilnībā izlādējusies. Vienmēr, kad ievērojat, ka darbarīka darba jauda zudusi, apturiet darbarīku un uzlādējiet akumulatora kasetni.
2. Nekad neuzlādējiet pilnībā uzlādētu akumulatora kasetni. Pārmērīga uzlāde saīsina akumulatora kalpošanas laiku.
3. Uzlādējiet akumulatora kasetni istabas temperatūrā 10 °C - 40 °C. Karstai akumulatora kasetnei pirms uzlādes ļaujiet atdzist.
4. Kad akumulatora kasetne netiek izmantota, izņemiet to no darbarīka vai lādētāja.
5. Uzlādējiet litija jonu akumulatora kasetni, ja to ilgstoši nelietosit (vairāk nekā sešus mēnešus).

Svarīgi drošības norādījumi par bezvadu ierīci

1. Bezvadu ierīci nedrīkst ne pārveidot, ne izjaukt.
2. Bezvadu ierīci glabājiet maziem bērniem nepieejamā vietā. Ja kāds cilvēks nejauši norij kādu no detaļām, nekavējoties jādodas pie ārsta.
3. Bezvadu ierīci lietojiet tikai kopā ar Makita darbarīkiem.
4. Raugiet, lai bezvadu ierīce neatrastos lietū vai mitros apstākļos.
5. Bezvadu ierīci nelietojiet vietās, kur temperatūra pārsniedz 50 °C.
6. Bezvadu ierīci nelietojiet vietās, kur tuvumā atrodas medicīnās ierīces, piemēram, sirds darbības stimulatori.
7. Bezvadu ierīci nelietojiet vietās, kur tuvumā atrodas automātiskas ierīces. Ja lietojat, tad automātisko ierīču darbībā var rasties traucējumi vai kļūdas.
8. Neizmantojiet bezvadu ierīci vietā, kur ir augsta temperatūra vai var veidoties statiskā elektrība vai elektriskais troksnis.
9. Bezvadu ierīce var radīt elektromagnētiskos laukus (EML), bet tie nav lietotājam kaitīgi.
10. Bezvadu ierīce ir precīzs instruments. Uzmanieties, lai bezvadu ierīce nenokristu un nekur neietriektos.
11. Bezvadu ierīces izvadam nepieskarieties ar kailām rokām vai metāliskiem materiāliem.

12. Kad uzstādāt bezvadu ierīci, vienmēr izņemiet darbarīka akumulatoru.
13. Verot vajā atveres pārsegu, izvairieties no vietas, kur atverē var iekļūt putekļi un ūdens. Atveres ieeju vienmēr turiet tīru.
14. Bezvadu ierīci vienmēr ievietojiet pareizajā virzienā.
15. Bezvadu ierīces bezvadu sistēmas aktivizēšanas pogu nespiediet pārāk stipri un/vai nespiediet pogu ar priekšmetu, kam ir asas malas.
16. Lietojot ierīci, vienmēr aizveriet atveres pārsegu.
17. Kamēr darbarīks ir pieslēgts pie strāvas, neatvienojiet bezvadu ierīci no atveres. Ja atvienojat, var rasties traucējumi bezvadu ierīces darbībā.
18. No bezvadu ierīces nenoplēšiet uzlīmi.
19. Uz bezvadu ierīces nelīmējiet nekādas uzlīmes.
20. Neatstājiet bezvadu ierīci vietā, kur var veidoties statiskā elektrība vai elektriskais troksnis.
21. Bezvadu ierīci neatstājiet vietās, kur varētu būt liels karstums, piemēram, automobiļi, kas atstāts saulē.
22. Bezvadu ierīci neatstājiet putekļainā vai ar pulveri nokaisītā vietā vai vietā, kur var rasties kodīga gāze.
23. Pēkšņas temperatūras izmaiņas var radīt mitrumu uz ierīces. Bezvadu ierīci lietojiet tikai tad, kad mitrums pilnībā izžuvjis.
24. Kad rītāt bezvadu ierīci, uzmanīgi slaukiet to ar sausu, mīkstu drānu. Nelietojiet benzīnu, atšķaidītāju, vadītspējīgas smērvielas vai līdzīgas vielas.
25. Kad bezvadu ierīci noliekat glabāšanai, ielieciet to komplekta ietvarā vai nestatiskā konteinerā.
26. Darbarīka atverē ievietojiet tikai Makita bezvadu ierīci.
27. Neizmantojiet darbarīku, ja tā atveres pārsegs ir bojāts. Ūdens, putekļu un netīrumu iekļūšana atverē var radīt darbības traucējumus.
28. Bez nepieciešamības nevelciet un/vai negroziet atveres pārsegu. Ja pārsegs atdalās no darbarīka, piestipriniet to.
29. Ja atveres pārsegs ir pazaudēts vai bojāts, nomainiet to.

SAGLABĀJIET ŠOS NORĀDĪJUMUS.

DETAĻU APRAKSTS

► Att.2

1.	Kloķis (slīpleņķim)	2.	Sešstūru uzgriežņatslēga	3.	Regulēšanas skrūve (zemākai robežatīmei)	4.	Regulēšanas bultskrūve (maksimālai zāģēšanas jaudai)
5.	Aiztura kloķis	6.	Bloķēšanas poga	7.	Slēdža mēlīte	8.	Pārsegs (bezvadu ierīcei)
9.	Piekaramās slēdzenes atvere	10.	Bezvadu sistēmas aktivizēšanas poga	11.	Bezvadu sistēmas aktivizēšanas lampiņa	12.	Lampas poga
13.	Putekļu sūcēja poga	14.	Asmens korpuss	15.	Asmens aizsargs	16.	Turētājs
17.	Bloķēšanas svira (pagriežamai pamatnei)	18.	Atbloķēšanas svira (pagriežamai pamatnei)	19.	Rokturis (pagriežamai pamatnei)	20.	Iezāģēšanas plātne
21.	Zāģēšanas leņķa skala	22.	Rādītājs (zāģēšanas leņķim)	23.	Pagriežamā pamatne	24.	Atlaišanas poga (kreisās puses slīpleņķim)
25.	Vertikālās skrūvspīles	26.	Sprūdtapa (roktura bīdīšanai)	27.	Slīdbalsts	-	-

► Att.3

1.	Rokturis	2.	Akumulatora kasetne	3.	Putekļu maiss (kad tas tiek aizvietots ar putekļu savācēja šļūteni)	4.	Šļūtene (putekļu nosūkšanai)
5.	0° regulēšanas bultskrūve (slīpleņķim)	6.	Slīpleņķa skala	7.	Rādītājs (slīpleņķim)	8.	45° regulēšanas bultskrūve (slīpleņķim)
9.	Slēgsvira (slīpleņķim)	10.	Atbloķēšanas svira (48° slīpleņķim)	11.	Vadotnes ierobežotājs (augšējais ierobežotājs)	12.	Vadotnes ierobežotājs (apakšējais ierobežotājs)
13.	Sprūdtapa (atbalsta pacelšanai)	14.	Vārpstas bloķētājs	-	-	-	-

UZSTĀDĪŠANA

Roktura uzstādīšana

Ieskrūvējiet roktura vītņvārpstu pagriežamajā pamatnē.

► **Att.4:** 1. Rokturis 2. Pagriežamā pamatne

Putekļu savācēja šļūtenes uzstādīšana un noņemšana

Pievienojiet šļūtenes lokveida savienojumu augšējai pievienošanas vietai tā, lai bloķēšanas poga būtu vērsta uz augšu. Ievietojiet šļūtenes uzdevu apakšējā pievienošanas vietā, piespiežot un savietojot uzdevas aiztura pogas ar pievienošanas vietas vadīšanas ierībiem. Pārliecinieties, ka lokveida savienojums un uzdeva pareizi pieguļ darbarīka pievienošanas vietām.

► **Att.5:** 1. Putekļu savācēja šļūtene 2. Lokveida savienojums 3. Bloķēšanas poga 4. Uzdeva 5. Augšējā pievienošanas vieta 6. Apakšējā pievienošanas vieta

Lai no pievienošanas vietas noņemtu lokveida savienojumu, turiet nospiestu bloķēšanas pogu un velciet lokveida savienojumu.

► **Att.6:** 1. Bloķēšanas poga 2. Lokveida savienojums

Lai noņemtu šļūtenes uzdevu no pievienošanas vietas, nospiediet aiztura pogas abās pievienošanas vietas pusēs un velciet uzdevu.

► **Att.7:** 1. Aiztura poga 2. Uzdeva

Galda uzstādīšana

Darbarīku piegādājot, rokturis ar aiztura tapu ir bloķēts nolaistā stāvoklī. Lēni nolaižot rokturi, pavelciet aiztura tapu un pagrieziet to pa 90°.

► **Att.8:** 1. Bloķēts stāvoklis 2. Atbloķēts stāvoklis 3. Aiztura tapa

Šis darbarīks jāpieskrūvē ar četrām skrūvēm, izmantojot tām paredzētās atveres darbarīka pamatnē, uz līmeniskas un stabilas virsmas. Tādējādi tas nenokrītīs un neradīs traumu.

► **Att.9:** 1. Bultskrūves

▲BRĪDINĀJUMS: Nodrošiniet, lai darbarīks uz atbalsta virsmas nekustas. Ieņķzāģim izkustoties uz atbalsta virsmas zāģēšanas laikā, ieņķzāģis var kļūt nevadāms un radīt smagus ievainojumus.

FUNKCIJU APRAKSTS

▲BRĪDINĀJUMS: Vienmēr pirms darbarīka regulēšanas vai funkciju pārbaudes pārbaudiet, vai instruments ir izslēgts un akumulatora kasetne ir izņemta. Ja darbarīku neizslēdz un neizņem akumulatora kasetni, tam nejausi ieslēdzoties, var tikt izraisītas smagas traumas.

Akumulatora kasetnes uzstādīšana un izņemšana

▲UZMANĪBU: Vienmēr pirms akumulatora kasetnes uzstādīšanas vai noņemšanas izslēdziet darbarīku.

▲UZMANĪBU: Uzstādot vai izņemot akumulatora kasetni, darbarīku un akumulatora kasetni turiet cieši. Ja darbarīku un akumulatora kasetni netur cieši, tie var izkrist no rokām un radīt bojājumus darbarīkam un akumulatora kasetnei, kā arī izraisīt ievainojumus.

► **Att.10:** 1. Sarkanās krāsas indikators 2. Poga 3. Akumulatora kasetne

Lai izņemtu akumulatora kasetni, izvelciet to no darbarīka, pārbīdot kasetnes priekšpusē esošo pogu.

Lai uzstādītu akumulatora kasetni, salāgojiet akumulatora kasetnes mēlīti ar rievu ietvarā un iebīdīdīt to vietā. Ievietojiet to līdz galam, līdz tā ar klikšķi nofiksējas. Ja redzams atēlā parādītais sarkanās krāsas indikators, tas nozīmē, ka tas nav pilnīgi nofiksēts.

▲UZMANĪBU: Vienmēr ievietojiet akumulatora kasetni tā, lai sarkanais indikators nebūtu redzams. Pretējā gadījumā tā var nejausi izkrist no darbarīka un izraisīt jums vai apkārtējiem traumas.

▲UZMANĪBU: Neievietojiet akumulatora kasetni ar spēku. Ja kasetne neslīd ietvarā viegli, tā nav pareizi ielikta.

Darbarīka/akumulatora aizsardzības sistēma

Darbarīks ir aprīkots ar darbarīka/akumulatora aizsardzības sistēmu. Šī sistēma automātiski izslēdz jaudas padevi motoram, lai pagarinātu darbarīka un akumulatora kalpošanas laiku. Darbarīks automātiski pārstās darboties ekspluatācijas laikā, ja darbarīku vai akumulatoru pakļaus kādam no šiem apstākļiem. Dažu apstākļu gadījumā izgaismojas indikatori.

Aizsardzība pret pārslodzi

Ja darbarīku/akumulatoru lieto tā, ka tas patērē pārāk lielu strāvas daudzumu, darbarīks automātiski pārstāj darboties. Šādā gadījumā izslēdziet darbarīku un pārtrauciet darbību, kas izraisīja darbarīka pārslodzi. Pēc tam ieslēdziet darbarīku, lai atsāktu darbu.

Aizsardzība pret pārkaršanu

Kad darbarīks/akumulators ir pārkaršis, darbarīks automātiski pārstāj darboties un mirgo darbības indikators. Šādā gadījumā pirms darbarīka atkārtotas ieslēgšanas ļaujiet tam atdzist.















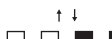

Aizsardzība pret akumulatora pārmērīgu izlādi

Kad atlikušā akumulatora jauda ir zema, darbarīks automātiski pārstāj darboties. Ja darbarīks nedarbojas atbilstoši slēdžu darbībai, izņemiet akumulatoru no darbarīka un uzlādējiet to.

Atlikušās akumulatora jaudas indikators

Nospiediet akumulatora kasetnes pārbaudes pogu, lai pārbaudītu akumulatora atlikušo uzlādes līmeni. Indikatori iedegties uz dažām sekundēm.

► **Att.11:** 1. Indikatora lampas 2. Pārbaudes poga

Indikatora lampas			Atlikusī jauda
			
			No 75% līdz 100%
			No 50% līdz 75%
			No 25% līdz 50%
			No 0% līdz 25%
			Uzlādējiet akumulatoru.
			Iespējama akumulatora kļūme.
			

PIEZĪME: Reālā jauda var nedaudz atšķirties no norādītās atkarībā no lietošanas apstākļiem un apkārtējās temperatūras.

PIEZĪME: Akumulatora aizsardzības sistēmas darbības laikā mirgo pirmais (kreisais malējais) indikators.

Roktura fiksators

UZMANĪBU: Atlaižot aiztura tapu, vienmēr turiet rokturi. Pretējā gadījumā rokturis atlec uz augšu un var izraisīt traumas.

Rokturi ar aiztura tapu var nobloķēt nolaistā pozīcijā vai paceltā pozīcijā. Pilnībā nolaidiet vai paceliet rokturi, tad pavelciet un pagrieziet aiztura tapu bloķētā pozīcijā. Lai atbloķētu rokturi, pavelciet aiztura tapu un pagrieziet to par 90° atbloķētā pozīcijā, vienlaikus nedaudz nolaižot rokturi.

► **Att.12:** 1. Bloķēts stāvoklis 2. Atbloķēts stāvoklis 3. Aiztura tapa

Slīdslēdzis

Lai neierobežotu atbalsta brīvu kustību, pavelciet aiztura tapu un iestatiet to atbloķētā stāvoklī, pagriežot par 90°. Lai novērstu atbalsta slīdēšanu, spiediet atbalstu pleca virzienā, līdz tas apstājas, un atkal iestatiet aiztura tapu nobloķētā pozīcijā.

► **Att.13:** 1. Bloķēts stāvoklis 2. Atbloķēts stāvoklis 3. Aiztura tapa 4. Plecss

Asmens aizsargs

BRĪDINĀJUMS: Nekad neizjauciet un nenovietojiet asmens aizsargu vai atsperi, kas piestiprināta aizsargam. Nenosegts asmens pēc aizsarga noņemšanas var izraisīt nopietnus ievainojumus ekspluatācijas laikā.

BRĪDINĀJUMS: Nekad neizmantojiet darbarīku, ja asmens aizsargs vai atsperē ir bojāta, darbojas nepareizi vai ir noņemta. Izmantojiet darbarīku ar bojātu, nepareizi darbojošos vai noņemtu atsperi, var izraisīt nopietnus ievainojumus.

UZMANĪBU: Ja konstatējat, ka asmens aizsargs nav pilnībā kārtībā, nekavējoties pārtrauciet lietošanu. Ja konstatējat, ka asmens aizsargs darbojas nepareizi, nekavējoties pārtrauciet asmens lietošanu. Pārbaudiet, vai aizsarga atsperes nospriegojuma darbība ir pareiza.

Nolaižot rokturi, asmens aizsargs automātiski pacelsies. Aizsargs ir nospriegots ar atsperi tā, ka tas atgriežas sākotnējā stāvoklī, kad zāģēšana ir pabeigta un rokturis ir pacelts.

► **Att.14:** 1. Asmens aizsargs

Tīrīšana

Ja caurspīdīgais asmens aizsargs kļūst netīrs vai tam ir pielipušas tik daudz zāģu skaidas, ka asmens un/vai apstrādājama materiāls ir grūti saskatāms, izņemiet akumulatora kasetni un ar mitru drānu rūpīgi notīriet aizsargu. Tīrot plastmasas aizsargu, neizmantojiet naftas produktu bāzes šķīdinātājus vai tīrītājus, jo tas var bojāt aizsargu.

Izpildiet detalizētās instrukcijas par sagatavošanās darbiem pirms tīrīšanas.

1. Darbarīkam ir jābūt izslēgtam un akumulatora kasetnei — izņemtai.
2. Grieziet seššķautņu bultskrūvi pretēji pulksteņrādītāju kustības virzienam, izmantojot komplektā iekļauto seššķautņu uzgriežņu atslēgu, vienlaikus turot centrālo apvalku.
3. Paceliet asmens aizsargu un centrālo apvalku.
4. Kad tīrīšana pabeigta, novietojiet atpakaļ centrālo apvalku un pievelciet seššķautņu bultskrūvi, veicot iepriekš norādītās darbības pretējā secībā.
5. Uzstādiet atpakaļ ripzāģa asmeni un centrālo aizsargu to sākotnējās pozīcijās un pievelciet seššķautņu bultskrūvi.

► **Att.15:** 1. Sešstūru uzgriežņu atslēga 2. Seššķautņu bultskrūve 3. Centrālais aizsargs 4. Asmens aizsargs

BRĪDINĀJUMS: Nenoņemiet atsperi, ar ko piestiprināts asmens aizsargs. Ja aizsargs laika gaitā vai ultravioletā starojuma ietekmē tiek sabojāts, sazinieties ar Makita apkopes centru, lai iegūtu maiņas aizsargu. **NEPĀRVEIDOJIET UN NENOŅEMIET AIZSARGU.**

Iezāģēšanas plātnes novietošana

Šā darbarīka pagriežamajā pamatnē ir iezāģēšanas plātne, lai materiāla zāģējuma izejas pusē nerastos plēsti bojājumi. Iezāģēšanas plātne rūpnīcā ir noregulēta tā, lai ripzāga asmens tām nepieskartos. Pirms lietošanas iezāģēšanas plātne noregulējiet tālāk norādītajā veidā.

1. Noteikti izņemiet akumulatora kasetni. Tad atskrūvējiet valīgāk visas skrūves (divas labajā un divas kreisajā pusē), ar ko piestiprinātas iezāģēšanas plātnes.

► **Att.16:** 1. Iezāģēšanas plātne 2. Skrūves

PIEZĪME: Skrūves aizmugurē var viegli atskrūvēt un pievilkt, pagriežot pagriežamo pamatni leņķī. Griežot pagriežamo pamatni, pilnībā paceliet rokturi.

2. Pieskrūvējiet tās atpakaļ tā, lai iezāģēšanas plātne varētu viegli pārvietot ar roku.

3. Nolaideiet rokturi lejup līdz galam, pavelciet un pagriežiet aiztura tapu, lai bloķētu rokturi nolaistajā stāvoklī.

4. Lai varētu pārvietot atbalstu, pavelciet un pagriežiet slīdbalsta aiztura tapu.

► **Att.17:** 1. Aiztura tapa 2. Bloķēts stāvoklis
3. Atbloķēts stāvoklis

5. Pavelciet atbalstu virzienā pret sevi līdz galam.

6. Noregulējiet iezāģēšanas plātne tā, lai tās tikai mazliet saskartos ar asmens zobu malām.

► **Att.18**

► **Att.19:** 1. Zāģa asmens 2. Asmens zobs
3. Iezāģēšanas plātne 4. Kreisās puses slīpā zāģēšana 5. Taisna griešana 6. Labās puses slīpenķa zāģēšana

IEVĒRĪBAI: Mainot slīpenķi, raugieties, lai iezāģēšanas plātne tiktu pareizi novietota.

IEVĒRĪBAI: Pirms novietojat iezāģēšanas plātne slīpenķa zāģēšanai uz kreiso vai labo pusi, vienmēr noņemiet augšējās vadotnes ierobežotājus un vertikālās skrūvspīles.

7. Pieskrūvējiet priekšējās skrūves (neskrūvējiet tās cieši).

8. Bīdīet atbalstu līdz galam vadotnes ierobežotāju virzienā un noregulējiet iezāģēšanas plātne tā, lai tās tikai mazliet saskartos ar asmens zobu malām.

9. Pievelciet aizmugures skrūves (nepievelciet tās cieši).

10. Pēc iezāģēšanas plātņu noregulēšanas atlaidiet roktura fiksatora aiztura tapu un paceliet rokturi. Pēc tam cieši pievelciet visas skrūves.

IEVĒRĪBAI: Pēc slīpenķa iestatīšanas pārbaudiet, vai iezāģēšanas plātne ir pareizi noregulēta. Iezāģēšanas plātņu pienācīga noregulēšana palīdz nodrošināt pareizu apstrādājamā materiāla atbalstu, samazinot apstrādājamā materiāla plēsumus.

Maksimālās zāģēšanas jaudas saglabāšana

Šis darbarīks ir rūpnīcā noregulēts tā, lai nodrošinātu maksimālo zāģēšanas jaudu 260 mm zāģa asmenim. Uzstādot jaunu ripzāģa asmeni, vienmēr pārbaudiet tā zemāko robežzāģēšanas stāvokli un, ja vajadzīgs, regulējiet to, kā tālāk norādīts.

1. Izņemiet akumulatora kasetni. Tad pagriežiet aiztura sviru bloķētā stāvoklī.

► **Att.20:** 1. Aiztura svira

2. Bīdīet atbalstu līdz galam vadotnes ierobežotāju virzienā un pilnībā nolaideiet rokturi.

► **Att.21:** 1. Vadotnes ierobežotājs 2. Bultskrūves regulēšana

3. Izmantojiet seššķautņu uzgriežņu atslēgu, lai grieztu regulēšanas bultskrūvi, līdz ripzāģa asmens ieslīd nedaudz zem vadotnes ierobežotāju un pagriežamās pamatnes augšējās virsmas krustpunkta.

► **Att.22:** 1. Pagriežamās pamatnes augšējā virsma
2. Vadotnes ierobežotājs

4. Turiet rokturi nospiestu līdz galam lejup un ar roku pagriežiet asmeni, lai pārliecinātos, ka ripzāģa asmens nesaskaras ar apakšējo pamatni. Ja nepieciešams, nedaudz pārregulējiet.

▲BRĪDINĀJUMS: Pēc jauna ripzāģa asmens uzstādīšanas, kad akumulatora kasetne ir izņemta, vienmēr pārbaudiet, vai asmens nesaskaras ne ar vienu apakšējās pamatnes daļu, kad rokturis ir pilnībā nolaists. Ja ripzāģa asmens pieskaras pamatnei, tas var izraisīt atsitieni un radīt smagus ievainojumus.

► **Att.23**

▲UZMANĪBU: Pēc noregulēšanas vienmēr novietojiet aiztura sviru tās sākotnējā pozīcijā.

Aiztura kloķis

Ripzāģa asmens apakšējā ierobežojuma pozīciju var viegli regulēt ar aiztura kloķi. Lai to regulētu, pārvietojiet aiztura kloķi zīmējumā norādītās bultiņas virzienā. Pagriežiet regulēšanas skrūvi tā, lai ripzāģa asmens apstātos vēlamajā pozīcijā, kad rokturi nolaiza pilnībā uz leju.

► **Att.24:** 1. Regulēšanas skrūve 2. Aiztura kloķis

▲UZMANĪBU: Regulēšanas laikā turiet rokturi cieši. Pretējā gadījumā atbalsts var atlēkt uz augšu un izraisīt savainojumus.

Leņķa regulēšana

▲UZMANĪBU: Kad zāģēšanas leņķis ir izmainīts, vienmēr nostipriniet pagriežamo pamatni, pārvietojot bloķēšanas/atbrīvošanas sviru bloķētā pozīcijā un cieši pievelkot rokturi.

IEVĒRĪBAI: Griežot pagriežamo pamatni, obligāti pilnībā paceliet rokturi.

1. Grieziet rokturi pretēji pulksteņrādītāju kustības virzienam. Tad turiet nospiestu bloķēšanas sviru atbloķētā pozīcijā.
2. Lai pagrieztu pagriežamo pamatni, turiet rokturi un šūpojiēt to no vienas puses uz otru.
3. Pielīdziniet rādītāju vēlamajam leņķim uz zāģēšanas leņķa skalas.
4. Atlaidiet bloķēšanas sviru un pievelciet rokturi.
▶ **Att.25:** 1. Rokturis 2. Bloķēšanas svira 3. Rādītājs 4. Zāģēšanas leņķa skala

Fiksētā aiztura funkcija

Šim leņķzāģim ir pieejama fiksētā aiztura funkcija. Varat ātri iestatīt 0°, 15°, 22,5°, 31,6°, 45° un 60° labo/kreiso slīpo leņķi.

1. Grieziet rokturi pretēji pulksteņrādītāju kustības virzienam.
2. Turiet nospiestu bloķēšanas sviru atbloķētā pozīcijā.
3. Pagrieziet pagriežamo pamatni gandrīz līdz vēlamajam fiksētā aiztura leņķim un atlaidiet bloķēšanas sviru.
4. Grieziet pagriežamo pamatni ar vajadzīgo fiksēto aiztura leņķi, līdz tā nofiksējas.
5. Pievelciet rokturi.
▶ **Att.26:** 1. Rokturis 2. Bloķēšanas svira 3. Fiksētā aiztura leņķis

PIEZĪME: Lai atbrīvotu pagriežamo pamatni no fiksētā aiztura funkcijas, nospiediet atbloķēšanas sviru. Pagriežamo pamatni var brīvi pārvietot, neturot nospiestu bloķēšanas sviru. Šūpojiēt rokturi, lai pagrieztu pagriežamo pamatni vēlamajā leņķī, un tad pievelciet rokturi.

- ▶ **Att.27:** 1. Atbloķēšanas svira

Slīpā leņķa noregulēšana

⚠UZMANĪBU: Kad slīpais leņķis ir izmainīts, vienmēr nostipriniet sviras plecu, pievelkot kloķi uz slīdbalsta pulksteņrādītāju kustības virzienā.

IEVĒRĪBAI: Pirms slīpleņķa iestatīšanas vienmēr noņemiet apakšējos vadotnes ierobežotājus un vertikālās skrūvspīles.

IEVĒRĪBAI: Sasverot ripzāģa asmeni, raugieties, lai atbalsts būtu pilnībā pacelts.

IEVĒRĪBAI: Mainot slīpleņķi, raugieties, lai iezāģēšanas plātnes tiktu pareizi novietotas, kā izskaidrots sadaļā par iezāģēšanas plātņu pozicionēšanu.

IEVĒRĪBAI: Nepievelciet kloķi uz slīdbalsta pārāk cieši. Tādējādi var izraisīt slīpleņķa fiksēšanas mehānisma atteici.

Ripzāģa asmens savēršana uz kreiso pusi

1. Kloķi uz slīdbalsta pagrieziet pretēji pulksteņrādītāju kustības virzienam.
▶ **Att.28:** 1. Kloķis
2. Pavelciet un pagrieziet slēgsviru līdz pozīcijai, kā parādīts attēlā.
▶ **Att.29:** 1. Slēgsvira

3. Satveriet rokturi un sasveriet atbalstu pa kreisi.
4. Pielīdziniet rādītāju vēlamajam leņķim uz slīpleņķa skalas.
5. Pagrieziet kloķi pulksteņrādītāju kustības virzienā, lai nostiprinātu atbalsta plecu.
▶ **Att.30:** 1. Kloķis 2. Rokturis 3. Rādītājs 4. Slīpleņķa skala

Ripzāģa asmens savēršana uz labo pusi

1. Grieziet kloķi uz slīdbalsta pretēji pulksteņrādītāju kustības virzienam.
2. Satveriet rokturi un mazliet sasveriet atbalstu pa kreisi.
3. Sasveriet atbalstu pa labi, vienlaikus spiežot labās puses slīpleņķa atbrīvošanas pogu.
4. Pielīdziniet rādītāju vēlamajam leņķim uz slīpleņķa skalas.
5. Pagrieziet kloķi pulksteņrādītāju kustības virzienā, lai nostiprinātu atbalsta plecu.
▶ **Att.31:** 1. Kloķis 2. Rokturis 3. Atlaišanas poga labās puses slīpleņķim 4. Slīpleņķa skala

Ripzāģa asmens savēršana, izmantojot fiksētā aiztura funkciju

Šim leņķzāģim ir pieejama fiksētā aiztura funkcija. Varat ātri iestatīt 22,5° un 33,9° leņķi gan pa labi, gan pa kreisi.

1. Grieziet kloķi uz slīdbalsta pretēji pulksteņrādītāju kustības virzienam.
2. Sasveriet atbalstu gandrīz līdz vēlamajam fiksētā aiztura leņķim, vienlaikus ceļot uz augšu slēgsviru.
3. Iestatiet slēgsviru horizontālā pozīcijā.
4. Sasveriet atbalstu vēlamajā fiksētajā aiztura leņķī, līdz tas fiksējas.
5. Lai mainītu leņķi, pavelciet slēgsviru uz darbarīka priekšpusi un tad atkal sasveriet atbalstu.
6. Pagrieziet kloķi pulksteņrādītāju kustības virzienā, lai nostiprinātu atbalsta plecu.
▶ **Att.32:** 1. Kloķis 2. Slēgsvira

Ripzāģa asmens savēršana tālāk par 0° –45° diapazonu

1. Grieziet kloķi uz slīdbalsta pretēji pulksteņrādītāju kustības virzienam.
2. Satveriet rokturi un sasveriet atbalstu pa kreisi vai pa labi vairāk kā par 45°.
3. Mazliet pavelciet atbalstu atpakaļ un pārbīdiēt 48° slīpuma leņķa atbrīvošanas sviru uz darbarīka priekšpusi.
4. Kamēr svira ir atbrīvota, vēl vairāk sasveriet atbalstu pa kreisi vai pa labi.
5. Pagrieziet kloķi pulksteņrādītāju kustības virzienā, lai nostiprinātu atbalsta plecu.
▶ **Att.33:** 1. Kloķis 2. Rokturis 3. Atbrīvošanas svira (48° slīpleņķim)

Slēdža darbība

▲BRĪDINĀJUMS: Pirms akumulatora kasetnes(-ņu) uzstādīšanas darbarīkā, vienmēr pārbaudiet, vai slēdža mēlīte darbojas pareizi un pēc atlaišanas atgriežas pozīcijā „OFF” (izslēgts). Nevelciet slēdža mēlīti ar spēku, ja nav nospiesta atbloķēšanas poga. Tā var sabojāt slēdzi. Lietojot darbarīku, kura slēdzis nedarbojas pareizi, darbarīks var kļūt nevadāms un radīt nopietnas traumas.

▲BRĪDINĀJUMS: NEKĀDĀ GADĪJUMĀ nelietojiet darbarīku, ja nevar pilnībā nospiest slēdža mēlīti. Darbarīks ar mēlīti, kas nedarbojas pareizi, ir ĻOTI BĪSTAMS un pirms turpmākas izmantošanas ir jāremontē, pretējā gadījumā var rasties smagas traumas.

▲BRĪDINĀJUMS: NEKAD neizjauciet atbloķēšanas pogu, to neaplimējiet un citādāk nepāveidojiet. Slēdzis ar izjauktu atbloķēšanas pogu var izraisīt neparedzētu darbību un radīt smagas traumas.

▲BRĪDINĀJUMS: NEKAD nelietojiet darbarīku, ja tas ieslēdzas tikai pēc slēdža mēlītes pavilkšanas un nav jānospiež atbloķēšanas poga. Slēdzis, ko nepieciešams labot, var izraisīt neparedzētu darbību un radīt nopietnus ievainojumus. PIRMS turpmākas ekspluatācijas nododiet darbarīku Makita apkopes centrā, lai to atbilstīgi saremontētu.

► **Att.34:** 1. Slēdža mēlīte 2. Bloķēšanas poga 3. Piekaramās slēdzenes atvere

Lai slēdža mēlītes nepavilktu nejauši, darbarīkam ir bloķēšanas poga. Lai iedarbinātu darbarīku, iespiediet uz iekšu bloķēšanas pogu un pavelciet slēdža mēlīti. Lai apturētu darbarīku, atlaidiet slēdža mēlīti. Slēdža mēlītē ir atvērums, kas paredzēts darbarīka bloķēšanai, ievietojot piekaramo slēdzeni.

▲BRĪDINĀJUMS: Neizmantojiet slēdzeni, kuras kājiņas vai troses diametrs ir mazāks par 6,35 mm. Mazāka kājiņa vai trosē var nepareizi bloķēt darbarīku izslēgtā stāvoklī, un var būt neparedzēta darbība, tādējādi izraisot smagus ievainojumus.

Zāģēšanas līnijas apēnošana

▲UZMANĪBU: Lampa nav ūdensizturīga. Nemazgājiet lampu ūdeni un nelietojiet to lietui vai mitrā vidē. Šādi rīkojoties, varat rasties elektrotrieciena risks un izgarojuma tvaiki.

▲UZMANĪBU: Nepieskarieties lampas lēcai, jo iedegta vai uzreiz pēc izslēgšanas tā ir ļoti karsta. Tas var izraisīt apdegumus.

▲UZMANĪBU: Sargiet lampu no triecieniem, jo tādējādi to var sabojāt vai saīsināt ekspluatācijas laiku.

▲UZMANĪBU: Neskatieties gaismā, neļaujiet tās avotam iespīdēt acīs.

LED lampa apspīd ripzāģa asmeni, un šā asmens ēna krīt pāri apstrādājamajam materiālam, veidojot nekālibrētu zāģēšanas līnijas atzīmi. Nospiediet lampas pogu, lai ieslēgtu gaismu. Izveidojas līnija, pa kuru asmens saskarsies ar apstrādājamā materiāla virsmu, turklāt, asmenim laižoties zemāk, šī līnija kļūs izteiktāka.

► **Att.35:** 1. Lampas poga 2. Lampa 3. Zāģēšanas līnija

Šis indikators palīdz zāģēt tieši pa līniju, kas ar zīmuli uzzīmēta uz apstrādājamā materiāla.

1. Turiet rokturi un nolaidiet ripzāģa asmeni, lai uz apstrādājamā materiāla veidotos izteikta ēna.
2. Savietojiet uz apstrādājamā materiāla uzzīmēto zāģēšanas līniju ar asmens ēnas izveidoto līniju.
3. Ja nepieciešams, noregulējiet zāģēšanas slīpumu un slīplēņķi.

PIEZĪME: Pēc lietošanas izslēdziet lampu, jo ieslēgta lampa patērē akumulatora uzlādes līmeni.

PIEZĪME: Šī gaisma automātiski izslēdzas piecas minūtes pēc darbības pārtraukšanas.

Elektroniskā funkcija

Elektrobremze

Darbarīks ir aprīkots ar elektrisku asmens bremzi. Ja darbarīks regulāri neapstājas uzreiz pēc slēdža mēlītes atlaišanas, nododiet darbarīku Makita apkopes centrā, lai to salabotu.

▲UZMANĪBU: Asmens bremzes sistēma neaizstāj asmens aizsargu. Nekad neizmantojiet darbarīku, ja nedarbojas asmens aizsargs. Neaizsargāts asmens var izraisīt smagas traumas.

Nemainīga ātruma vadība

Darbarīkam ir elektroniska ātruma vadība, kas palīdz uzturēt nemainīgu asmens griešanās ātrumu pat slodzes apstākļos. Nemainīgs asmens griešanās ātrums nodrošina gludu zāģējumu.

Laidenas palaišanas funkcija

Šī funkcija nodrošina darbarīka vienmērīgu iedarbināšanu, ierobežojot iedarbināšanas griezes momentu.

MONTĀŽA

▲BRĪDINĀJUMS: Vienmēr pirms darbarīka labošanas pārbaudiet, vai instruments ir izslēgts un akumulatora kasetne ir izņemta. Ja darbarīku neizslēdz un akumulatora kasetni neizņem, var tikt izraisītas smagas traumas.

Sešstūru uzgriežņu atslēgas uzglabāšana

Kad sešstūrveida uzgriežņu atslēga netiek lietota, glabājiet to, kā parādīts, lai atslēgu nepazaudētu.

► **Att.36:** 1. Sešstūru uzgriežņu atslēga

Zāģa asmens noņemšana un uzstādīšana

▲BRĪDINĀJUMS: Pirms ripzāģa asmens noņemšanas un uzstādīšanas vienmēr pārbaudiet, vai darbarīks ir izslēgts un akumulatora kasetne ir izņemta. Darbarīka nejauša iedarbināšana var izraisīt smagas traumas.

▲BRĪDINĀJUMS: Ripzāģa asmens noņemšanai un uzstādīšanai izmantojiet tikai Makita uzgriežņu atslēgu. Ja tiek izmantota cita uzgriežņu atslēga, seššķautņu padziļinājuma bultskrūvi var pieskrūvēt pārāk cieši vai nepietiekami, un tas var izraisīt smagas traumas.

▲BRĪDINĀJUMS: Nekad neizmantojiet vai aizstājiet daļas, kas nav piegādātās kopā ar šo darbarīku. Šādu daļu izmantošana var izraisīt smagus ievainojumus.

▲BRĪDINĀJUMS: Pēc ripzāģa asmens uzstādīšanas pārliecinieties, vai tas ir cieši pievilks. Vaļīgs ripzāģa asmens var izraisīt smagus ievainojumus.

Asmens noņemšana

Lai noņemtu ripzāģa asmeni, veiciet tālāk norādītās darbības.

1. Fiksējiet atbalstu paceltā pozīcijā, velkot un pagriežot aiztura tapu nobloķētā pozīcijā.

► **Att.37:** 1. Aiztura tapa 2. Atbloķēts stāvoklis 3. Bloķēts stāvoklis

2. Ar seššķautņu uzgriežņu atslēgu atskrūvējiet seššķautņu bultskrūvi, ar ko nostiprināts centrālais apvalks. Tad paceliet asmens aizsargu un centrālo apvalku.

► **Att.38:** 1. Seššķautņu uzgriežņu atslēga 2. Seššķautņu bultskrūve 3. Centrālais apvalks 4. Asmens aizsargs

3. Nospiediet vārpstas bloķētāju, lai nobloķētu vārpstu, un ar seššķautņu uzgriežņu atslēgu pulksteņrādītāju kustības virzienā atskrūvējiet seššķautņu bultskrūvi. Pēc tam izņemiet seššķautņu padziļinājuma bultskrūvi, ārējo atloku un ripzāģa asmeni.

► **Att.39:** 1. Seššķautņu padziļinājuma bultskrūve (ar kreiso vītņi) 2. Ārējais atloks 3. Vārpstas bloķētājs

4. Ja iekšējais atloks tika noņemts, atkārtoti piestipriniet to vārpstai, lai puse ar padziļinājumu atrastos pret ripzāģa asmeni. Ja atloks ir uzlikts nepareizi, tas berzēsies pret instrumentu.

Darbarīkam ar gredzenu
(atkarībā no valsts)

► **Att.40:** 1. Seššķautņu padziļinājuma bultskrūve (ar kreiso vītņi) 2. Ārējais atloks 3. Ripzāģa asmens 4. Gredzens 5. Iekšējais atloks 6. Vārpsta 7. Puse ar padziļinājumu

Darbarīkam bez gredzena
(atkarībā no valsts)

► **Att.41:** 1. Seššķautņu padziļinājuma bultskrūve (ar kreiso vītņi) 2. Ārējais atloks 3. Ripzāģa asmens 4. Iekšējais atloks 5. Vārpsta 6. Puse ar padziļinājumu

Asmens uzstādīšana

▲BRĪDINĀJUMS: Pirms asmens uzlikšanas uz vārpstas vienmēr pārbaudiet, vai starp iekšējo un ārējo atloku uz izmantojamā asmens vārpstas cauruma ir uzstādīts pareizais gredzens. Nepareiza vārpstas atveres gredzena dēļ asmens var nebūt piestiprināts pareizi un tas var kustēties, radot spēcīgu vibrāciju, un darbarīks darbības procesā var kļūt nevadāms un radīt smagus ievainojumus.

▲UZMANĪBU: Uzstādot ripzāģa asmeni, gādājiet, lai uz asmens redzamās bultiņas virziens sakristu ar bultiņas virzienu, kura redzama uz asmens korpusa. Ja to neizdara, var gūt traumas un sabojāt darbarīku un/vai apstrādājamo materiālu.

Ripzāģa asmens ass cauruma diametrs var atšķirties atkarībā no jūsu miļnes reģiona. Ja atveres diametrs ir lielāks nekā vārpstas diametrs, piestiprinot ripzāģa asmeni vārpstai, raugieties, lai būtu izvēlēts atbilstoša izmēra gredzens. Lai uzstādītu ripzāģa asmeni, veiciet tālāk norādītās darbības.

1. Uzmanīgi piestipriniet ripzāģa asmeni pie iekšējā atloka. Uzstādot asmeni, pārliecinieties, ka bultiņas virziens uz ripzāģa asmens atbilst bultiņas virzienam uz asmens ietvara.

► **Att.42:** 1. Bulta uz asmens korpusa 2. Bulta uz ripzāģa asmens

2. Uzstādiet ārējo atloku un seššķautņu padziļinājuma bultskrūvi, un tad ar seššķautņu atslēgu pretēji pulksteņrādītāju kustības virzienam cieši pievelciet seššķautņu bultskrūvi, vienlaikus turot nospiestu vārpstas bloķētāju.

Darbarīkam ar gredzenu
(atkarībā no valsts)

► **Att.43:** 1. Seššķautņu padziļinājuma bultskrūve (ar kreiso vītņi) 2. Ārējais atloks 3. Ripzāģa asmens 4. Gredzens 5. Iekšējais atloks 6. Vārpsta 7. Puse ar padziļinājumu

Darbarīkam bez gredzena
(atkarībā no valsts)

► **Att.44:** 1. Seššķautņu padziļinājuma bultskrūve (ar kreiso vītņi) 2. Ārējais atloks 3. Ripzāģa asmens 4. Iekšējais atloks 5. Vārpsta 6. Puse ar padziļinājumu

3. Novietojiet asmens aizsargu un centrālo apvalku to sākotnējā pozīcijā. Pēc tam pulksteņrādītāju kustības virzienā pievelciet seššķautņu bultskrūvi, lai nostiprinātu centrālo apvalku.

4. Pavelciet un pagrieziet aiztura tapu atbloķētā pozīcijā, lai atbrīvotu atbalstu no paceltās pozīcijas. Nolaidiet atbalstu un pārbaudiet, vai asmens aizsargs kustas pareizi.

▲UZMANĪBU: Pirms zāģēšanas pārbaudiet, vai vārpstas bloķētājs ir vārpstu atbloķējis.

Putekļsūcēja pievienošana

Ja vēlaties tīru zāģējumu, darbarīka putekļu sūcēja uzgalim (augšējai putekļu atverei) pievienojiet Makita putekļu sūcēju, izmantojot 24. izmēra priekšējo uznavu (papildpievienojums).

► **Att.45:** 1. Priekšējās uznavas 24 2. Šūtene 3. Putekļsūcējs

Putekļu maiss

▲UZMANĪBU: Lai novērstu putekļu radītu apdraudējumu, pirms zāģēšanas vienmēr pietipriniet putekļu maisu vai pievienojiet putekļu sūcēju.

Lietojot putekļu maisu, zāģēšanas laikā nerodas putekļi, jo tie tiek savākti. Lai pievienotu putekļu maisu, ņemiet darbarīka putekļu savācēja šļūteni un pievienojiet putekļu maisu putekļu sūcēja uzgalim (augšējai putekļu atverei).

► **Att.46:** 1. Putekļu savācēja šļūtene 2. Putekļu maiss 3. Putekļu sūcēja uzgalis (augšējā putekļu atvere)

Kad putekļu maiss ir piepildīts aptuveni līdz pusei, ņemiet to no darbarīka un izņemiet stiprinājumu. Iztukšojiet putekļu maisa saturu, viegli pa to pasītot, lai atdalītu iekšpusē pielīpušās daļiņas, kas turpmāk varētu kavēt putekļu savākšanu.

► **Att.47:** 1. Stiprinājums

Apstrādājamā materiāla nostiprināšana

▲BRĪDINĀJUMS: Ļoti svarīgi ir vienmēr pareizi nostiprināt apstrādājamo materiālu ar pareizajām skrūvspīlēm vai grieštu cokola aizturim. Ja to neizdara, iespējams izraisīt smagus ievainojumus un sabojāt darbarīku un/vai apstrādājamo materiālu.

▲BRĪDINĀJUMS: Zāģējot materiālu, kas ir garāks par leņķzāģa atbalsta pamatni, materiāls jāatbalsta visā garumā aiz atbalsta pamatnes, lai materiāls būtu nolīmeņots. Pareizs apstrādājamā materiāla atbalsts ļaus izvairīties no asmens iestrēgšanas un iespējama atsitiēna, kas var izraisīt smagu traumu. Lai nostiprinātu materiālu, neizmantojiet tikai vertikālās un/vai horizontālās skrūvspīles. Plāni materiāli mēdz ieliekties. Atbalstiet materiālu visā tā garumā, lai asmens neiestrēgtu un lai nerastos ATSITIENS.

► **Att.48:** 1. Atbalsts 2. Pagriežamā pamatne

Vadotnes ierobežotāji

▲BRĪDINĀJUMS: Pirms darbarīka lietošanas pārliecinieties, vai augšējais ierobežotājs ir cieši pietiprināts.

▲BRĪDINĀJUMS: Pirms slīpenča zāģēšanas pārliecinieties, vai neviena darbarīka daļa, jo īpaši zāģa asmens, nepieskaras augšējam un apakšējam ierobežotājam, pilnībā nolaižot un paceļot rokturi jebkurā stāvoklī vai virzot atbalstu tā pilnā gājiena diapazonā. Ja darbarīks vai asmens pieskaras ierobežotājam, tas var izraisīt atsitienu vai materiāla negaidītu izkustēšanos un radīt smagus ievainojumus.

Izmantojiet augšējos ierobežotājus, lai atbalstītu materiālu, kas ir augstāks par apakšējiem ierobežotājiem. Ievietojiet augšējo ierobežotāju apakšējā ierobežotāja caurumā un pievelciet spīlējuma skrūvi.

► **Att.49:** 1. Augšējais ierobežotājs 2. Apakšējais ierobežotājs 3. Spīlējuma skrūve 4. Regulēšanas skrūve

IEVĒRĪBAI: Apakšējie ierobežotāji rūpnīcā ir pietiprināti pie pamatnes. Nenņemiet apakšējos ierobežotājus.

IEVĒRĪBAI: Ja pēc spīlējuma skrūves pievilšanas augšējais ierobežotājs joprojām ir vajīgs, pagrieziet regulēšanas skrūvi, lai aizvērtu spraugu. Regulēšanas skrūve ir iestatīta rūpnīcā. Jums tā nav jāizmanto, ja vien tas nav vajadzīgs.

Kad neizmantojat augšējo ierobežotāju, varat to glabāt uz turētāja. Izmantojiet augšējā ierobežotāja saspraudi, lai fiksētu to uz turētāja.

► **Att.50:** 1. Turētājs 2. Augšējais ierobežotājs 3. Saspraude

Vertikālās skrūvspīles

▲BRĪDINĀJUMS: Eksploatācijas laikā apstrādājamajam materiālam jābūt ar skrūvspīlēm cieši pietiprinātam pie pagriežamās pamatnes un vadotnes ierobežotājiem. Ja apstrādājams materiāls nav pareizi nostiprināts pret ierobežotājiem, materiāls zāģēšanas laikā var izkustēties, izraisot iespējamu ripzāģa asmens bojājumu un materiāla izmešanu, kā arī zāģa vadības zudumu, kas savukārt var radīt smagus ievainojumus.

Vertikālās skrūvspīles iespējams uzstādīt gan kreisajā, gan labajā pamatnes pusē. Ievietojiet skrūvspīļu stieni pamatnes atverē.

► **Att.51:** 1. Vertikālās skrūvspīles 2. Atvere vertikālajām skrūvspīlēm 3. Pamatne

► **Att.52:** 1. Skrūvspīļu svira 2. Skrūvspīļu stienis 3. Spīlējuma skrūve 4. Skrūvspīļu kloķis

Novietojiet skrūvspīļu kloķi atbilstoši apstrādājamā materiāla biežumam un formai un nostipriniet skrūvspīļu kloķi, pieskrūvējot skrūvi. Ja spīlējuma skrūve saskaras ar atbalstu, uzstādiet vertikālās skrūvspīles pamatnes pretējā pusē. Pārliecinieties, vai, nolaižot rokturi lejup līdz galam, neviena darbarīka daļa nepieskaras skrūvspīlēm. Ja kāda darbarīka daļa tām pieskaras, mainiet skrūvspīļu pozīciju.

Līdzīgi piespiediet apstrādājamo materiālu pie vadotnes ierobežotājiem un pagriežamās pamatnes. Novietojiet apstrādājamo materiālu vēlamajā zāģēšanas pozīcijā un nolieciet to, pievelkot skrūvspīļu rokturi.

PIEZĪME: Lai ātri novietotu apstrādājamo materiālu, pagriežot skrūvspīļu kloķi pa 90° pulksteņrādītāju kustības virzienā, skrūvspīļu kloķi var pārvietot augšup un lejup. Lai apstrādājamo materiālu pēc novietošanas nostiprinātu, pagrieziet skrūvspīļu kloķi pulksteņrādītāju kustības virzienā.

Horizontālās skrūvspīles

Papildu piederumi

▲BRĪDINĀJUMS: Vienmēr grieziet skrūvspīļu uzgriezni pulksteņrādītāju kustības virzienā, līdz apstrādājamais materiāls ir pareizi nostiprināts. Ja apstrādājamais materiāls nav pareizi nostiprināts, materiāls zāģēšanas laikā var izkustēties, izraisot iespējamu ripzāģa asmens bojājumu un materiāla izmešanu, kā arī vadības zudumu, kas var radīt smagus ievainojumus.

▲BRĪDINĀJUMS: Plānu apstrādājamo materiālu, piemēram, grīdlīstes, zāģējot pret ierobežotāju, vienmēr izmantojiet horizontālās skrūvspīles.

▲UZMANĪBU: Kad zāģējat materiālu, kas plānāks par 20 mm, izmantojiet starplikas klucīti, lai nostiprinātu apstrādājamo materiālu.

Horizontālās skrūvspīles iespējams uzstādīt gan kreisajā, gan labajā pamatnes pusē. Zāģējot 22,5° vai lielākā leņķī, uzstādiat horizontālās skrūvspīles pusē, kas ir pretēja pagriežamās pamatnes griešanas virzienam.

► **Att.53:** 1. Skrūvspīļu plāksne 2. Skrūvspīļu uzgrieznis 3. Skrūvspīļu kloķis

Uzsitot skrūvspīļu uzgriezni pretēji pulksteņrādītāju kustības virzienam, skrūvspīles tiek atbrīvotas un strauji pārvietojas iekšā un ārā. Lai satvertu apstrādājamo materiālu, spiediet skrūvspīļu kloķi uz priekšu, līdz skrūvspīļu plāksne pieskaras materiālam, un tad uzsitiet skrūvspīļu uzgriezni pulksteņrādītāju kustības virzienā. Pēc tam, lai nostiprinātu apstrādājamo materiālu, grieziet skrūvspīļu rokturi pulksteņrādītāju kustības virzienā.

PIEZĪME: Apstrādājamā materiāla, ko var nostiprināt ar horizontālajām skrūvspīlēm, maksimālais platums ir 228 mm.

Turētāji

▲BRĪDINĀJUMS: Vienmēr atbalstiet garu apstrādājamo materiālu tā, lai tas ir vienā līmenī ar pagriežamās pamatnes augšējo virsmu, nodrošinot precīzu griezumu un nepieļaujot bīstamu darbarīka kontroles zudumu. Pareizs apstrādājamā materiāla atbalsts ļaus novērst asmens iestrēgšanu un iespējamu atsitieni, kas var radīt smagus ievainojumus.

▲BRĪDINĀJUMS: Pirms griešanas sākšanas vienmēr pārliecinieties, ka turētāji ir droši pieskrūvēti ar skrūvēm.

Garu apstrādājamo materiālu horizontālai turēšanai darbarīka abās pusēs ir uzstādīti turētāji. Atskrūvējiet vaļīgāk skrūves un izvelciet turētājus apstrādājamā materiāla turēšanai vajadzīgajā garumā. Pēc tam pievelciet skrūves.

► **Att.54:** 1. Turētājs 2. Skrūve

Griešanas laikā novietojiet apstrādājamo materiālu līdzeni pie vadotnes ierobežotājiem.

► **Att.55:** 1. Vadotnes ierobežotājs 2. Turētājs

Pamatnes pagarinātājs

Papildu piederumi

▲BRĪDINĀJUMS: Vienmēr atbalstiet garu apstrādājamo materiālu tā, lai tas ir vienā līmenī ar pagriežamās pamatnes augšējo virsmu, nodrošinot precīzu griezumu un nepieļaujot bīstamu darbarīka kontroles zudumu. Pareizs apstrādājamā materiāla atbalsts ļaus novērst asmens iestrēgšanu un iespējamu atsitieni, kas var radīt smagus ievainojumus.

▲BRĪDINĀJUMS: Pirms griešanas sākšanas vienmēr pārliecinieties, ka pamatnes pagarinātājs ir droši pieskrūvēts ar skrūvi.

PIEZĪME: Lai uzzinātu, kā veikt uzstādīšanu, izpildiet papildu pamatnes pagarinātāja komplektācijā iekļautās norādes.

Lai vēl drošāk nofiksētu garu apstrādājamo materiālu, piestipriniet pamatnei papildu pamatnes pagarinātāju. Atskrūvējiet vaļīgāk skrūvi un izvelciet pamatnes pagarinātāju tādā garumā, kas piemērots apstrādājamā materiāla turēšanai. Tad pievelciet skrūvi.

► **Att.56:** 1. Pamatnes pagarinātājs 2. Skrūve

Griešanas laikā apstrādājamo materiālu novietojiet līdzeni pret vadotnes ierobežotāju un apakšējo ierobežotāju uz pamatnes pagarinātāja.

► **Att.57:** 1. Vadotnes ierobežotājs 2. Apakšējais ierobežotājs 3. Pamatnes pagarinātājs

Apakšējā ierobežotāja regulēšana

Ja pamatnes pagarinātāja apakšējā ierobežotāja novietojums nesakrīt ar vadotnes ierobežotāja novietojumu, regulējiet apakšējo ierobežotāju.

1. Atskrūvējiet vaļīgāk bultskrūves, ar kurām piestiprināts apakšējais ierobežotājs, izmantojot sešstūru uzgriežņu atslēgu.

2. Līdzeni novietojiet pret vadotnes ierobežotāju taisnu, nelokāmu stieni, piemēram, kvadrātveida tērauda elementu.

3. Kamēr stienis ir līdzeni pret vadotnes ierobežotāju, novietojiet apakšējo ierobežotāju tā, lai tā priekšējā daļa būtu līdzeni novietota pret stieni. Pēc tam pievelciet bultskrūves.

► **Att.58:** 1. Bultskrūve 2. Apakšējais ierobežotājs 3. Vadotnes ierobežotājs 4. Nelokāms stienis

EKSPLUATĀCIJA

Šis darbarīks ir paredzēts kokmateriālu zāģēšanai. Izmantojot piemērotus Makita oriģinālos zāģu asmeņus, var apstrādāt arī tālāk norādītos materiālus.

— Alumīniju

Lai uzzinātu zāģējamajam materiālam piemērotos ripzāģa asmeņus, skatiet mūsu tīmekļa vietni vai sazinieties ar vietējo Makita izplatītāju.

▲BRĪDINĀJUMS: Pirms slēdža ieslēgšanas pārbaudiet, vai zāga asmens nesaskaras ar pārstrādājamo materiālu u. c. Ja darbarīku ieslēdz, kad asmens pieskaras apstrādājamajam materiālam, var rasties atsitieni un smagi ievainojumi.

▲BRĪDINĀJUMS: Pēc zāgēšanas nepaceliet zāga asmeni, kamēr tas nav pilnīgi apstājies. Paceļot asmeni, kas griežas pēc inerces, var radīt smagus ievainojumus un sabojāt apstrādājamo materiālu.

▲BRĪDINĀJUMS: Kamēr zāga asmens griežas, neveiciet regulēšanu, piemēram, negrieziet darbarīka rokturi, kloķi un sviras. Veicot regulēšanu, kamēr asmens griežas, var gūt smagus ievainojumus.

IEVĒRĪBAI: Pirms lietošanas obligāti atbloķējiet aiztura tapu un paceliet rokturi augšup.

IEVĒRĪBAI: Zāgējot nespiediet pārāk daudz uz roktura. Spiežot pārāk stipri, dzinējam var rasties pārslodze un/vai zāgēšanas efektivitāte var mazināties. Spiediet rokturi uz leju tikai tik spēcīgi, cik vajadzīgs, lai zāgētu vienmērīgi, ievērojami mazinot asmens ātrumu.

IEVĒRĪBAI: Lai zāgētu, uzmanīgi spiediet uz leju rokturi. Ja rokturi spiedīsiet uz leju spēcīgi vai ja spiedīsiet to no sāniem, asmens vibrēs un vairs nevirzīsies pa atzīmēto līniju uz apstrādājamā materiāla (zāga atzīmi), un zāģis vairs nezāgēs precīzi.

IEVĒRĪBAI: Veicot slidošu zāgēšanu, uzmanīgi bīdīet slīdrāmi vadotnes ierobežotāja virzienā, nepārtraucot šo darbību. Ja zāgēšanas laikā pārtrauksiet bīdīt slīdrāmi, apstrādājamā materiālā būs redzamas šīs vietas pēdas un zāģis vairs nezāgēs precīzi.

Zāgēšana ar spiedienu

▲BRĪDINĀJUMS: Veicot zāgēšanu ar spiedienu, vienmēr bloķējiet slīdrāmja slidošo kustību. Zāgējot bez bloķēšanas, var izraisīt iespējamu atsitieni, kas var radīt smagus ievainojumus.

Apstrādājamos materiālus 68 mm augstumā un 160 mm platumā iespējams sazāģēt tālāk minētajā veidā.

► **Att.59:** 1. Aiztura tapa

1. Spiediet slīdrāmi pret vadotnes ierobežotāju, līdz tas apstājas, un bloķējiet to ar aiztura tapu.
2. Ar pareizo skrūvspīļu veidu nostipriniet apstrādājamo materiālu.
3. Ieslēdziet darbarīku (ripzāga asmens nedrīkst saskarties ar materiālu) un pirms nolaišanas gaidiet, līdz ripzāga asmens griežas ar maksimālo ātrumu.
4. Lai zāgētu materiālu, uzmanīgi nolaidiet rokturi līdz zemākajam stāvoklim.
5. Kad zāgēšana pabeigta, izslēdziet darbarīku un gaidiet, līdz ripzāga asmens ir pilnībā apstājies, pirms novietojat to atpakaļ pilnīgi paceltā stāvoklī.

Slidoša zāgēšana (spiešana) (zāgējot platus apstrādājamos materiālus)

▲BRĪDINĀJUMS: Vienmēr, kad tiek veikta slīdes zāgēšana, vispirms pavelciet atbalstu pilnībā pret sevi un pilnībā nospiediet rokturi, tad virziet atbalstu pret vadotni. Nesāciet zāgēšanu, ja atbalsts pilnībā nav pavilkts pret sevi. Ja veicat slīdes zāgēšanu, nepavelkot atbalstu pilnībā pret sevi, var rasties neparedzēts atsitieni un izraisīt nopietnus ievainojumus.

▲BRĪDINĀJUMS: Nekad neveiciet slīdes zāgēšanu, velkot atbalstu pret sevi. Ja zāgēšana laikā atbalstu velk pret sevi, var izraisīt neparedzētu atsitieni, kas var radīt nopietnus ievainojumus.

▲BRĪDINĀJUMS: Nekad neveiciet slīdes zāgēšanu, ja rokturis ir bloķēts zemākajā stāvoklī.

► **Att.60:** 1. Aiztura tapa

1. Pretēji pulksteņrādītāja kustības virzienam atbloķējiet aiztura tapu, lai slīdrāmi varētu brīvi virzīties.
2. Ar pareizo skrūvspīļu veidu nostipriniet apstrādājamo materiālu.
3. Pavelciet atbalstu virzienā pret sevi līdz galam.
4. Ieslēdziet darbarīku, zāga asmenim nesaskaroties ar virsmu, un nogaidiet, kamēr zāga asmens darbojas ar pilnu jaudu.
5. Nospiediet uz leju rokturi un bīdīet atbalstu vadotnes ierobežotāja virzienā un cauri apstrādājamajam materiālam.
6. Kad zāgēšana pabeigta, izslēdziet darbarīku un nogaidiet, līdz zāga asmens pilnībā apstājies, pirms atgriežat to atpakaļ pilnīgi paceltā stāvoklī.

Zāgēšana lenķī

Skatiet sadaļu „Zāgēšanas lenķa noregulēšana”.

Lenķzāgēšana

▲BRĪDINĀJUMS: Pēc asmens iestatīšanas slīpleņķa zāgēšanai un pirms darbarīka lietošanas nodrošiniet, lai atbalsts un zāga asmens brīvi virzās visā paredzētā zāģējuma diapazonā. Atbalsta vai asmens gājienu pārtraukšana zāgēšanas laikā var izraisīt atsitieni un radīt smagus ievainojumus.

▲BRĪDINĀJUMS: Veicot slīpleņķa zāgēšanu, neturiet rokas zāga asmens ceļā. Asmens lenķis var lietotājam sniegt citu priekšstatu par asmens isto ceļu zāgēšanas laikā, un saskarsme ar asmeni izraisīs smagus ievainojumus.

▲BRĪDINĀJUMS: Zāga asmeni nedrīkst pacelt, pirms tas ir pilnībā apstājies. Slīpleņķa zāgēšanas laikā nozāģētais gabals var atrasties pie zāga asmens. Ja paceļ rotējošu asmeni, nozāģēto gabalu asmens var izmest gaisā, sadrumstalojot materiālu, kas var izraisīt smagus ievainojumus.

IEVĒRĪBAI: Spiežot rokturi lejup, spiediet paralēli asmenim. Ja spiedīsiet perpendikulāri pagriežamajai pamatnei vai ja zāgējot mainīsiet spiešanas virzienu, zāģis vairs nezāgēs precīzi.

► **Att.61**

1. Izņemiet apakšējo ierobežotāju tajā pusē, uz kuru vēlaties sagāzt slīdrāmi.
2. Atbloķējiet aiztura tapu.
3. Iestatiet slīpenķi, izpildot darbības, kas izklāstītas sadaļā par slīpenķa regulēšanu. Pēc tam pievelciet kloķi.
4. Ar skrūvspīlēm nostipriniet apstrādājamo materiālu.
5. Pavelciet atbalstu virzienā pret sevi līdz galam.
6. Ieslēdziet darbarīku, asmenim nesaskaroties ar virsmu, un nogaidiet, kamēr asmens darbojas ar pilnu jaudu.
7. Tad uzmanīgi nolaidiet rokturi līdz zemākajam stāvoklim, spiežot paralēli asmenim, un, lai **zāģētu apstrādājamo materiālu, bīdīet atbalstu vadotnes ierobežotāja virzienā.**
8. Kad zāģēšana pabeigta, izslēdziet darbarīku un **nogaidiet, līdz asmens pilnībā apstāties**, pirms atgriezt atpakaļ pilnīgi paceltā stāvoklī.

Kombinētā zāģēšana

Kombinētā zāģēšana ir process, kurā slīpais lenķis uz apstrādājamā materiāla tiek veikts vienlaicīgi ar zāģēšanas lenķi. Kombinēto zāģēšanu iespējams veikt tabulā redzamajā lenķī.

Zāģēšanas lenķis	Slīpais lenķis
Pa kreisi un pa labi 0–45°	Pa kreisi un pa labi 0–45°

Zāģējot kombinēti, skatiet skaidrojumu sadaļās par zāģēšanu ar spiedienu, zāģēšanu ar virzīšanu (spiešana), zāģēšanu lenķī un slīpenķa zāģēšanu.

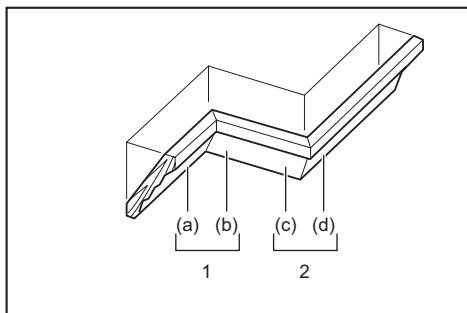
Jostiņu virs dzegas un stūrlīstu zāģēšana

Jostiņas virs dzegas un stūrlīstes var izzāģēt ar kombinēto lenķzāģi, profilus novietojot plakaniski uz pagriežamās pamatnes.

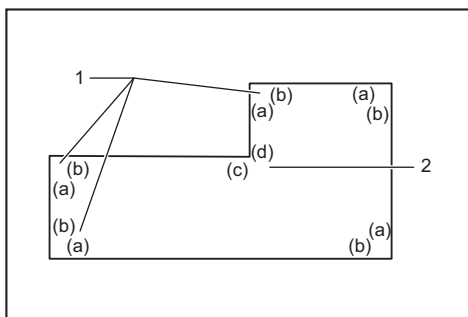
Ir divi standarta jostiņu virs dzegas veidi un viens stūrlīstes veids; 52/38° sienas lenķa jostiņa virs dzegas, 45° sienas lenķa jostiņa virs dzegas un 45° sienas lenķa stūrlīste.

► **Att.62:** 1. 52/38° tipa jostiņa virs dzegas 2. 45° tipa jostiņa virs dzegas 3. 45° tipa stūrlīste

Ir jostiņu virs dzegas un stūrlīstu saduras, kas izgatavotas „iekšējiem” 90° stūriem ((a) un (b) attēlā) un „ārējiem” 90° stūriem ((c) un (d) attēlā).



1. Iekšējais stūris 2. Ārējais stūris



1. Iekšējais stūris 2. Ārējais stūris

Mērīšana

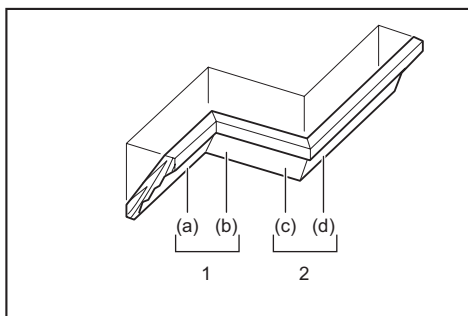
Izmēriet sienas platumu un atbilstoši pielāgojiet tam apstrādājamā materiāla platumu. Vienmēr pārliecinieties, ka apstrādājama materiāla platumu saskaras ar tā paša garuma sienas malu.

► **Att.63:** 1. Apstrādājama materiāls 2. Sienas platumu 3. Apstrādājamā materiāla platumu 4. Sienas saskare ar malu

Vienmēr vairākus gabalus izmantojiet pārbaudei, lai pārbaudītu zāģēšanas lenķus.

Zāģējot jostiņas virs dzegas un stūrlīstes, iestatiet slīpo lenķi un zāģēšanas lenķi, kā norādīts (A) tabulā, un novietojiet profilus uz zāģa pamatnes augšējās virsmas, kā norādīts (B) tabulā.

Veicot kreisās puses slīpo zāģēšanu



1. Iekšējais stūris 2. Ārējais stūris

Tabula (A)

-	Stūrlīstes stāvoklis attēlā	Slīpais lenķis		Zāģēšanas lenķis	
		52/38° tips	45° tips	52/38° tips	45° tips
Iekšējam stūrim	(a)	Pa kreisi 33,9°	Pa kreisi 30°	Pa labi 31,6°	Pa labi 35,3°
	(b)			Pa kreisi 31,6°	Pa kreisi 35,3°
Ārējam stūrim	(c)	Pa kreisi 33,9°	Pa kreisi 30°	Pa labi 31,6°	Pa labi 35,3°
	(d)			Pa kreisi 31,6°	Pa kreisi 35,3°

Tabula (B)

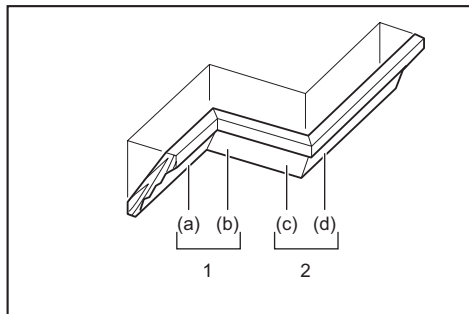
–	Stūrlīstes stāvoklis attēlā	Stūrlīstes mala pret vadotnes ierobežotāju	Sazāgētais materiāls
Iekšējam stūrim	(a)	Griestu saskares malai jāatrodas pret vadotnes ierobežotāju.	Sazāgētais materiāls atradīsies asmens kreisajā pusē.
	(b)	Sienas saskares malai jāatrodas pret vadotnes ierobežotāju.	
Ārējam stūrim	(c)	Griestu saskares malai jāatrodas pret vadotnes ierobežotāju.	Sazāgētais materiāls atradīsies asmens labajā pusē.
	(d)	Griestu saskares malai jāatrodas pret vadotnes ierobežotāju.	

Piemērs:

zāģējot 52/38° leņķa jostīņu virs dzegas stāvoklim (a) iepriekšējā attēlā, rīkojieties, kā tālāk norādīts.

- Nolieciet un nostipriniet slīpā leņķa iestatījumu uz 33,9° PA KREISI.
- Noregulējiet un nostipriniet zāģēšanas leņķa iestatījumu uz 31,6° PA LABI.
- Novietojiet jostīņu virs dzegas ar tās plato aizmugures (slēpto) virsmu uz pagriežamās pamatnes un ar GRIESTU MALU pret zāģa vadotnes ierobežotāju.
- Izmantotais sazāgētais materiāls pēc zāģēšanas pabeigšanas vienmēr atradīsies KREISAJĀ pusē no zāģa asmens.

Slīpenķa zāģēšana pa labi



1. Iekšējais stūris 2. Ārējais stūris

Tabula (A)

–	Stūrlīstes stāvoklis attēlā	Slīpais leņķis		Zāģēšanas leņķis	
		52/38° tips	45° tips	52/38° tips	45° tips
Iekšējam stūrim	(a)	Pa labi 33,9°	Pa labi 30°	Pa labi 31,6°	Pa labi 35,3°
	(b)			Pa kreisi 31,6°	Pa kreisi 35,3°
Ārējam stūrim	(c)			Pa labi 31,6°	Pa labi 35,3°
	(d)			Pa labi 31,6°	Pa labi 35,3°

Tabula (B)

–	Stūrlīstes stāvoklis attēlā	Stūrlīstes mala pret vadotnes ierobežotāju	Sazāgētais materiāls
Iekšējam stūrim	(a)	Sienas saskares malai jābūt pret vadotnes ierobežotāju.	Sazāgētais materiāls būs asmens labajā pusē.
	(b)	Griestu saskares malai jābūt pret vadotnes ierobežotāju.	
Ārējam stūrim	(c)	Sienas saskares malai jābūt pret vadotnes ierobežotāju.	Sazāgētais materiāls būs asmens kreisajā pusē.
	(d)	Sienas saskares malai jābūt pret vadotnes ierobežotāju.	

Piemērs:

zāģējot 52/38° leņķa jostīņu virs dzegas stāvoklim (a) iepriekšējā attēlā, rīkojieties, kā tālāk norādīts.

- Sagāziet un fiksējiet slīpenķa iestatījumu uz 33,9° PA LABI.
- Noregulējiet un nostipriniet zāģēšanas leņķa iestatījumu uz 31,6° PA LABI.
- Novietojiet jostīņu virs dzegas ar tās plato aizmugures (slēpto) virsmu uz pagriežamās pamatnes un ar SIENAS MALU pret zāģa vadotnes ierobežotāju.
- Gatavais materiāls pēc zāģēšanas pabeigšanas vienmēr būs zāģa asmens LABAJĀ pusē.

Griestu cokola aizturis

Papildu piederumi

Griestu cokola aizturi atvieglo griestu cokola zāģēšanu, nesagāžot zāģa asmeni. Uzstādiēt tos uz pagriežamās pamatnes, kā parādīts attēlos.

Labais 45° zāģēšanas leņķis

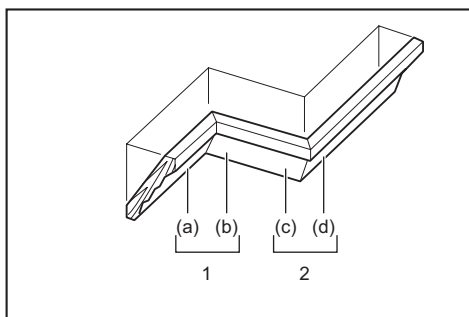
- **Att.64:** 1. Griestu cokola aizturis K 2. Griestu cokola aizturis L 3. Pagriežamā pamatne 4. Vadotnes ierobežotājs

Kreisais 45° zāģēšanas leņķis

- **Att.65:** 1. Griestu cokola aizturis K 2. Griestu cokola aizturis L 3. Pagriežamā pamatne 4. Vadotnes ierobežotājs

Novietojiet jostīņu virs dzegas ar tās SIENAS MALU pret vadotnes ierobežotāju un tās GRIESTU MALU pret jostīņas virs dzegas aizturiem, kā parādīts attēlā. Noregulējiet griestu cokola aizturus atbilstoši griestu cokola izmēram. Pievelciet skrūves, lai nostiprinātu griestu cokola aizturus. Zāģēšanas leņķi skatiet (C) tabulā.

- **Att.66:** 1. Vadotnes ierobežotājs 2. Griestu cokola aizturis



1. lekšējais stūris 2. Ārējais stūris

Tabula (C)

–	Cokola stāvoklis attēlā	Zāģēšanas leņķis	Gatavais materiāls
lekšējam stūrim	(a)	Pa labi 45°	Zāģēšana asmens labajā pusē
	(b)	Pa kreisi 45°	Zāģēšana asmens kreisajā pusē
Ārējam stūrim	(c)		Zāģēšana asmens labajā pusē
	(d)	Pa labi 45°	Zāģēšana asmens kreisajā pusē

Alumīnija profilu zāģēšana

- **Att.67:** 1. Skrūvspīles 2. Starplikas bloks
3. Vadotnes ierobežotājs 4. Alumīnija profils
5. Starplikas bloks

Lai alumīnijs nedeformētos, alumīnija profilu nostiprināšanai izmantojiet starplikas blokus vai atgriezumumu gabalus, kā attēlots zīmējumā. Zāģējot alumīnija profilu, izmantojiet zāģēšanas smērvielu, lai uz ripzāģa asmens nenogulsnētos alumīnija materiāls.

▲BRĪDINĀJUMS: Nekad nezāģējiet biezus vai apaļus alumīnija profilus. Biezus vai apaļus alumīnija profilus ir grūti nostiprināt, un zāģēšanas laikā tie var kļūt vaļīgi, tādējādi zāģis var kļūt nevadāms un radīt smagus ievainojumus.

Rievu zāģēšana

▲BRĪDINĀJUMS: Nemēģiniet veikt šāda veida zāģēšanu, izmantojot platāku asmeni vai cokolasmeni. Ja gropes zāģēšanu mēģina veikt ar platāku asmeni vai cokolasmeni, tas var radīt neparedzētus zāģēšanas rezultātus un atsitieni, kas var izraisīt nopietnus ievainojumus.

▲BRĪDINĀJUMS: Ja nezāģējat rievu zāģēšanas režīmā, bet kādā citā, obligāti novietojiet aiztura kloķi atpakal tā sākotnējā stāvoklī. Ja zāģēšanu mēģina veikt ar sprūda strēli nepareizā stāvoklī, tas var radīt neparedzētus zāģēšanas rezultātus un atsitieni, kas var izraisīt nopietnus ievainojumus.

Lai veiktu cokolveida zāģēšanu, rīkojieties, kā tālāk norādīts:

1. Lai ierobežotu ripzāģa asmens zāģēšanas dziļumu, ar regulēšanas skrūvi un aiztura kloķi noregulējiet ripzāģa asmens apakšējās robežas stāvokli. Skatiet sadaļu par aiztura kloķi.
2. Kad ripzāģa asmens apakšējās robežas stāvoklis ir noregulēts, zāģējiet paralēlas rievas visa apstrādājamā materiāla platumā, izmantojot zāģēšanas ar virzīšanu (stumšanas) režīmu.
► **Att.68:** 1. Izzāģējiet rievas ar asmeni
3. Izņemiet starp rievām esošos materiāla atgriezumus.

Darbarīka pārnēsāšana

Pirms darbarīka pārnēsāšanas obligāti izņemiet akumulatora kasetni un pārliecinieties, ka visas leņķzāģa kustīgās daļas ir nofikasētas. Vienmēr pārbaudiet tālāk norādīto:

- akumulatora kasetne ir izņemta;
- slīdrāmīris ir slīdpleņķa 0° pozīcijā un fiksēts;
- slīdrāmīris ir nolaiests un bloķēts;
- slīdrāmīris (atbalsts) ir aizbīdīts līdz vadotnes ierobežotājiem un bloķēts;
- pagriežamā pamatne ir novietota zāģēšanas leņķa pozīcijā pa labi līdz galam un fiksēta;
- Turētāji ir novietoti glabāšanai un fiksēti.

Pārnēsājiet darbarīku, turot tā pamatnes abas puses.

► **Att.69**

▲BRĪDINĀJUMS: Atbalsta pacelšanas aiztura tapa ir paredzēta tikai pārnēsāšanai un uzglabāšanai – tā nav paredzēta zāģēšanai. Izmantojot aiztura tapu zāģēšanas laikā, ripzāģa asmens var nejauši izkustēties, tādējādi izraisot atsitieni un radot smagus ievainojumus.

▲UZMANĪBU: Pirms darbarīka nešanas vienmēr nostipriniet visas kustīgās daļas. Ja darbarīka daļas pārnēsāšanas laikā izkustās vai izslīd, var rasties kontroles vai līdzsvara zudums un rasties ievainojumi.

▲UZMANĪBU: Pārliecinieties, vai atbalsta augstuma regulators ir pareizi nofikasēts ar aiztura tapu tā apakšdaļā. Ja aiztura tapa nav pareizi nofikasēta, atbalsts var neparedzami pavirzīties uz augšu un izraisīt savainojumus.

BEZVADU SISTĒMAS AKTIVIZĒŠANAS FUNKCIJA

Iespējas, ko sniedz bezvadu sistēmas aktivizēšanas funkcija

Bezvadu sistēmas aktivizēšanas funkcija nodrošina tīru un ērtu darbību. Pieslēdzot atbilstošu putekļu sūcēju darbarīkam, putekļu sūcēju iespējams darbināt automātiski kopā ar darbarīka pārslēgšanas darbību.

► **Att.70**

Lai izmantotu bezvadu sistēmas aktivizēšanas funkciju, sagatavojiet ierīces.

- Bezvadu ierīci (papildu piederums)
- Putekļu sūcēju, kas atbalsta bezvadu sistēmas aktivizēšanas funkciju

Bezvadu sistēmas aktivizēšanas funkcijas iestatīšanas kopsavilkums. Plašāk par darbībām skatiet šajās sadaļās.

1. Bezvadu ierīces uzstādīšana
2. Darbarīka reģistrācija putekļu sūcējam
3. Bezvadu sistēmas aktivizēšanas funkcijas startēšana

Bezvadu ierīces uzstādīšana

Papildu piederumi

⚠ UZMANĪBU: Kad uzstādāt bezvadu ierīci, darbarīku nolieciet uz līdzenas un stabilas virsmas.

IEVĒRĪBAI: Pirms bezvadu ierīces uzstādīšanas no darbarīka notīriet putekļus un neīrumus. Ja bezvadu ierīces atverē iekļūst puteklī vai neīrumi, tie var izraisīt darbības traucējumus.

IEVĒRĪBAI: Lai novērstu statiskās enerģijas radītos darbības traucējumus, pirms bezvadu ierīces pacelšanas pieskarieties statisko enerģiju izlādējošam materiālam, piemēram, darbarīka metālistikajai daļai.

IEVĒRĪBAI: Uzstādot bezvadu ierīci, vienmēr pārliecinieties, ka bezvadu ierīce ievietota pareizajā virzienā, un pārsegs ir pilnībā aizvērts.

1. Atveriet darbarīka pārsegu, kā parādīts attēlā.

► **Att.71:** 1. Pārsegs

2. Bezvadu ierīci pievienojiet atverei un aizveriet pārsegu.

Pievienojot bezvadu ierīci, izvirkļumus savietojiet ar padziļinājuma vietām uz atveres.

► **Att.72:** 1. Bezvadu ierīce 2. Izvirkļums 3. Pārsegs 4. Padziļinājuma daļa

Noņemot bezvadu ierīci, pārsegu atveriet lēni. Ar āķiem pārsega aizmugurē bezvadu ierīce pacelsies līdz ar pārsega atvēršanu.

► **Att.73:** 1. Bezvadu ierīce 2. Āķis 3. Pārsegs

Pēc bezvadu ierīces noņemšanas glabājiet to komplekta ietvarā vai nestatiskā konteinerā.

IEVĒRĪBAI: Noņemot bezvadu ierīci, vienmēr izmantojiet āķus pārsega aizmugurē. Ja āķi nesatver bezvadu ierīci, tad pārsegu aizveriet un lēni atkal atveriet.

Darbarīka reģistrācija putekļu sūcējam

PIEZĪME: Lai reģistrētu darbarīku, nepieciešams Makīta putekļu sūcējs, kas atbalsta bezvadu sistēmas aktivizēšanas funkciju.

PIEZĪME: Vispirms pabeidziet bezvadu ierīci uzstādīt darbarīkam, tikai tad sāciet darbarīka reģistrāciju.

PIEZĪME: Darbarīka reģistrācijas laikā gādājiet, lai šie slēdži netiktu ieslēgti:

- darbarīka slēdža mēlīte;
- darbarīka putekļu sūcēja slēdzis;
- putekļu sūcēja barošanas slēdzis.

PIEZĪME: Skatiet arī putekļu sūcēja lietošanas rokasgrāmatu.

Ja putekļu sūcēju vēlaties aktivizēt reizē ar darbarīka pārslēgšanas darbību, vispirms pabeidziet darbarīka reģistrāciju.

1. Putekļu sūcējā un darbarīkā ielieciet akumulatorus.

2. Gaidstāves slēdzi uz putekļu sūcēja pārslēdziet pozīcijā „AUTO”.

► **Att.74:** 1. Gaidstāves slēdzis

3. Nospiediet bezvadu sistēmas aktivizēšanas pogu uz putekļu sūcēja un turiet 3 sekundes, līdz bezvadu sistēmas aktivizēšanas lampiņa mirgo zaļā krāsā. Un tad tādā pašā veidā nospiediet bezvadu sistēmas aktivizēšanas pogu uz darbarīka.

► **Att.75:** 1. Bezvadu sistēmas aktivizēšanas poga

2. Bezvadu sistēmas aktivizēšanas lampiņa

Ja putekļu sūcējs un darbarīks savienoti veiksmīgi, bezvadu sistēmas aktivizēšanas lampiņas 2 sekundes degs zaļā krāsā un tad sāks mirgot zilā krāsā.

PIEZĪME: Bezvadu sistēmas aktivizēšanas lampiņas zaļā krāsā beidz mirgot pēc 20 sekundēm. Kamēr uz putekļu sūcēja mirgo bezvadu sistēmas aktivizēšanas lampiņa, nospiediet bezvadu sistēmas aktivizēšanas pogu uz darbarīka. Ja bezvadu sistēmas aktivizēšanas lampiņa nemirgo zaļā krāsā, uz mirkli piespiediet un atkal paturiet nospiestu bezvadu sistēmas aktivizēšanas pogu.

PIEZĪME: Ja vienam putekļu sūcējam reģistrējat divus vai vairākus darbarīkus, tad darbarīku reģistrāciju pabeidziet secīgi.

Bezvadu sistēmas aktivizēšanas funkcijas startēšana

PIEZĪME: Vispirms pabeidziet darbarīka reģistrāciju putekļu sūcējam, tikai tad aktivizējiet bezvadu sistēmu.

PIEZĪME: Skatiet arī putekļu sūcēja lietošanas rokasgrāmatu.

Kad putekļu sūcējs būs reģistrēts darbarīkam, tas automātiski darbosies kopā ar darbarīku. Lai darbarīka ekspluatācijas laikā izmantotu putekļu sūcēju, nospiediet darbarīka slēdža mēlīti. Putekļu sūcēju var arī ieslēgt, nospiežot putekļu sūcēja pogu, kad griešana netiek veikta.

► **Att.76**

1. Uzstādiet bezvadu ierīci darbarīkam.

2. Putekļu sūcēja šļūteni savienojiet ar darbarīku.

► **Att.77**

3. Gaidstāves slēdzi uz putekļu sūcēja pārslēdziet pozīcijā „AUTO”.

► **Att.78:** 1. Gaidstāves slēdzis

4. Uz mirkli piespiediet bezvadu sistēmas aktivizēšanas pogu uz darbarīka. Bezvadu sistēmas aktivizēšanas lampiņa iemirgosies zilā krāsā.

► **Att.79:** 1. Bezvadu sistēmas aktivizēšanas poga

2. Bezvadu sistēmas aktivizēšanas lampiņa

5. Nospiediet darbarīka slēdža mēlīti. Pārbaudiet, vai putekļu sūcējs darbojas, kamēr slēdža mēlīte ir nospiesta.

6. Lai izmantotu putekļu sūcēju, nospiediet putekļu sūcēja pogu. Pārbaudiet, vai bezvadu sistēmas aktivizēšanas lampiņa iedegas zilā krāsā un putekļu sūcējs turpina darboties līdz brīdim, kad atkal nospiežat pogu.

7. Lai izslēgtu putekļu sūcēju, atļaidiet slēdža mēlīti vai vēlreiz nospiediet putekļu sūcēja pogu. Putekļu sūcējs pārstāj darboties pāris sekundes pēc slēdža izmantošanas, un tad indikatora lampiņa sāk mirgot zilā krāsā.

PIEZĪME: Slēdža stāvokli (putekļu sūcēja ieslēgšanu/izslēgšanu) var uzzināt, skatot bezvadu sistēmas aktivizēšanas lampiņu. Papildinformāciju skatiet sadaļā, kurā aprakstīts bezvadu sistēmas aktivizēšanas lampiņas statuss.

8. Lai apturētu putekļu sūcēja bezvadu sistēmas aktivizēšanu, nospiediet bezvadu sistēmas aktivizēšanas pogu uz darbarīka.

PIEZĪME: Bezvadu sistēmas aktivizēšanas lampiņa uz darbarīka beigs mirgot zilā krāsā, kad darbarīks bezdarbībā būs bijis 2 stundas. Šajā gadījumā gaidstāves slēdzi uz putekļu sūcēja pārslēdziet pozīcijā „AUTO” un atkal nospiediet bezvadu sistēmas aktivizēšanas pogu uz darbarīka.

PIEZĪME: Putekļu sūcējs ieslēdzas/izslēdzas ar aizkavi. Kad putekļu sūcējs konstatē darbarīka pārslēgšanas darbību, rodas laika nobīde.

PIEZĪME: Atrašanās vietas un apkārtnējo apstākļu dēļ var atšķirties bezvadu ierīces signāla uztveršanas attālums.

PIEZĪME: Kad vienam putekļu sūcējam ir reģistrēti divi vai vairāki darbarīki, putekļu sūcējs var sākt darboties pat tad, ja nenospiežat slēdža mēlīti vai neieslēdzat putekļu sūcēja pogu, jo cits lietotājs izmanto bezvadu sistēmas aktivizēšanas funkciju.

Bezvadu sistēmas aktivizēšanas lampiņas statusa apraksts

► **Att.80:** 1. Bezvadu sistēmas aktivizēšanas lampiņa

Bezvadu sistēmas aktivizēšanas lampiņa rāda bezvadu sistēmas aktivizēšanas funkcijas statusu. Lampiņas statusa nozīme norādīta tabulā.

Statuss	Bezvadu sistēmas aktivizēšanas lampiņa			Ilgums	Apraksts
	Krāsa	<input type="checkbox"/> Deg	<input type="checkbox"/> Mirgo		
Gaidstāve	Zila	<input checked="" type="checkbox"/>		2 stundas	Putekļu sūcēja bezvadu sistēmas aktivizēšana ir iespējama. Kad darbarīks bezdarbībā būs bijis 2 stundas, lampiņa izslēgsies automātiski.
		<input type="checkbox"/>		Kad darbarīks darbojas.	Putekļu sūcēja bezvadu sistēmas aktivizēšana ir iespējama, darbarīks darbojas.
Darbarīka reģistrācija	Zaļa	<input checked="" type="checkbox"/>		20 sekundes	Sistēma ir gatava darbarīka reģistrācijai. Tiek gaidīta putekļu sūcēja reģistrācija.
		<input type="checkbox"/>		2 sekundes	Darbarīka reģistrācija ir pabeigta. Bezvadu sistēmas aktivizēšanas lampiņa sāks mirgot zilā krāsā.
Darbarīka reģistrācijas atcelšana	Sarkana	<input checked="" type="checkbox"/>		20 sekundes	Sistēma ir gatava darbarīka reģistrācijas atcelšanai. Tiek gaidīta reģistrācijas atcelšana no putekļu sūcēja puses.
		<input type="checkbox"/>		2 sekundes	Darbarīka reģistrācijas atcelšana ir pabeigta. Bezvadu sistēmas aktivizēšanas lampiņa sāks mirgot zilā krāsā.
Cits	Sarkana	<input type="checkbox"/>		3 sekundes	Bezvadu ierīce saņem strāvu, sāk darboties bezvadu sistēmas aktivizēšanas funkcija.
	Nedeg	-		-	Putekļu sūcēja bezvadu sistēmas aktivizēšana ir apturēta.

Darbarīka reģistrācijas atcelšana putekļu sūcējam

Atceļot darbarīka reģistrāciju putekļu sūcējam, jārikojas šādi.

1. Putekļu sūcējā un darbarīkā ielieciet akumulatorus.
2. Gaidstāves slēdzi uz putekļu sūcēja pārslēdziet pozīcijā „AUTO”.

► **Att.81:** 1. Gaidstāves slēdzis

3. Nospiediet bezvadu sistēmas aktivizēšanas pogu uz putekļu sūcēja un turiet 6 sekundes. Bezvadu sistēmas aktivizēšanas lampiņa nomirgo zaļā krāsā un tad kļūst sarkana. Pēc tam tādā pašā veidā nospiediet bezvadu sistēmas aktivizēšanas pogu uz darbarīka.

► **Att.82:** 1. Bezvadu sistēmas aktivizēšanas poga
2. Bezvadu sistēmas aktivizēšanas lampiņa

Ja atcelšana notikusi veiksmīgi, bezvadu sistēmas aktivizēšanas lampiņas 2 sekundes degs sarkanā krāsā un sāks mirgot zilā krāsā.

PIEZĪME: Bezvadu sistēmas aktivizēšanas lampiņas sarkanā krāsā beidz mirgot pēc 20 sekundēm. Kamēr uz putekļu sūcēja mirgo bezvadu sistēmas aktivizēšanas lampiņa, nospiediet bezvadu sistēmas aktivizēšanas pogu uz darbarīka. Ja bezvadu sistēmas aktivizēšanas lampiņa nemirgo sarkanā krāsā, uz mirkli piespiediet un atkal paturiet nospiestu bezvadu sistēmas aktivizēšanas pogu.

Traucējummeklēšana bezvadu sistēmas aktivizēšanas funkcijai

Pirms nodošanas remontā vispirms veiciet pārbaudi pats. Ja konstatējat kļūmi, kas nav aprakstīta rokasgrāmatā, nemēģiniet darbarīku izjaukt. Dodieties uz Makita pilnvarotu apkopes centru un remontam vienmēr izmantojiet tikai Makita rezerves daļas.

Neatbilstošas darbības stāvoklis	Iespējamais iemesls (kļūme)	Risinājums	
Bezvadu sistēmas aktivizēšanas lampiņa neiedegas/nemirgo.	Bezvadu ierīce darbarīkā nav uzstādīta. Bezvadu ierīce darbarīkā ir uzstādīta nepareizi.	Uzstādi darbarīku pareizi.	
	Bezvadu ierīces izvads un/vai atvere ir netīra.	Uzmanīgi noslaukiet putekļus un netīrumus no bezvadu ierīces izvada un iztīriet atveri.	
	Bezvadu sistēmas aktivizēšanas pogu uz darbarīka nav nospiesta.	Uzmanīgi piespiediet bezvadu sistēmas aktivizēšanas pogu uz darbarīka.	
	Gaidstāves slēdzis uz putekļu sūcēja nav ieslēgts pozīcijā „AUTO”.	Gaidstāves slēdzi uz putekļu sūcēja pārslēdziet pozīcijā „AUTO”.	
	Nav strāvas padeves	Pieslēdziet strāvas padevi darbarīkam un putekļu sūcējam.	
Neizdodas veiksmīgi pabeigt darbarīka reģistrāciju/darbarīka reģistrācijas atcelšanu.	Bezvadu ierīce darbarīkā nav uzstādīta. Bezvadu ierīce darbarīkā ir uzstādīta nepareizi.	Uzstādi darbarīku pareizi.	
	Bezvadu ierīces izvads un/vai atvere ir netīra.	Uzmanīgi noslaukiet putekļus un netīrumus no bezvadu ierīces izvada un iztīriet atveri.	
	Gaidstāves slēdzis uz putekļu sūcēja nav ieslēgts pozīcijā „AUTO”.	Gaidstāves slēdzi uz putekļu sūcēja pārslēdziet pozīcijā „AUTO”.	
	Nav strāvas padeves	Pieslēdziet strāvas padevi darbarīkam un putekļu sūcējam.	
	Nepareiza darbība	Uzmanīgi piespiediet bezvadu sistēmas aktivizēšanas pogu un atkal veiciet darbarīka reģistrācijas/atcelšanas procedūru.	
	Darbarīks un putekļu sūcējs atrodas tālu viens no otra (ārpus signāla uztveršanas zonas).	Darbarīku un putekļu sūcēju novietojiet tuvāk viens otram. Maksimālais signāla uztveršanas attālums ir apmēram 10 m, taču apstākļu ietekmē tas var atšķirties.	
	Pirms darbarīka reģistrācijas/atcelšanas pabeigšanas: - darbarīka slēdža mēlītei jābūt nospiestai; vai - darbarīka putekļu sūkšanas pogai jābūt ieslēgtai; vai - putekļu sūcēja barošanas pogai jābūt ieslēgtai.	Uzmanīgi piespiediet bezvadu sistēmas aktivizēšanas pogu un atkal veiciet darbarīka reģistrācijas/atcelšanas procedūru.	
	Darbarīka reģistrācijas procedūra darbarīkam vai putekļu sūcējam nav pabeigta.	Vienlaikus veiciet darbarīka reģistrācijas procedūru gan darbarīkam, gan putekļu sūcējam.	
	Radio traucējumi no citām iekārtām, kas ģenerē ļoti intensīvus radio viļņus.	Darbarīku un putekļu sūcēju neturiet tādu iekārtu tuvumā kā bezvadu tehnoloģiju (Wi-Fi) ierīces un mikroviļņu krāsnis.	
	Putekļu sūcējs nedarbojas kopā ar darbarīka pārslēgšanas darbību.	Bezvadu ierīce darbarīkā nav uzstādīta. Bezvadu ierīce darbarīkā ir uzstādīta nepareizi.	Uzstādi darbarīku pareizi.
Bezvadu ierīces izvads un/vai atvere ir netīra.		Uzmanīgi noslaukiet putekļus un netīrumus no bezvadu ierīces izvada un iztīriet atveri.	
Bezvadu sistēmas aktivizēšanas pogu uz darbarīka nav nospiesta.		Uzmanīgi piespiediet bezvadu sistēmas aktivizēšanas pogu un pārliecinieties, ka bezvadu sistēmas lampiņa mirgo zilā krāsā.	
Gaidstāves slēdzis uz putekļu sūcēja nav ieslēgts pozīcijā „AUTO”.		Gaidstāves slēdzi uz putekļu sūcēja pārslēdziet pozīcijā „AUTO”.	
Pie putekļu sūcēja ir pieslēgti vairāk nekā 10 darbarīki.		Atkārtoti reģistrējiet darbarīku. Ja putekļu sūcējam reģistrēti vairāk nekā 10 darbarīki, automātiski tiks atslēgti vismazāk reģistrētais darbarīki.	
Putekļu sūcējam neizdevās reģistrēt darbarīkus.		Atjaunojiet darbarīka reģistrācijas.	
Visu reģistrēto darbarīku iestatījumi ir izdzēsti no putekļu sūcēja.		Atkārtoti reģistrējiet darbarīku.	
Nav strāvas padeves		Pieslēdziet strāvas padevi darbarīkam un putekļu sūcējam.	
Darbarīks un putekļu sūcējs atrodas tālu viens no otra (ārpus signāla uztveršanas zonas).		Darbarīku un putekļu sūcēju novietojiet tuvāk viens otram. Maksimālais signāla uztveršanas attālums ir apmēram 10 m, taču apstākļu ietekmē tas var atšķirties.	
Radio traucējumi no citām iekārtām, kas ģenerē ļoti intensīvus radio viļņus.		Darbarīku un putekļu sūcēju neturiet tādu iekārtu tuvumā kā bezvadu tehnoloģiju (Wi-Fi) ierīces un mikroviļņu krāsnis.	
Putekļu sūcējs darbojas, lai gan darbarīka slēdži netiek izmantoti.		Putekļu sūcēja bezvadu sistēmas aktivizēšanas funkciju saviem darbarīkiem izmanto citi lietotāji.	Izslēdziet citu darbarīku bezvadu aktivizēšanas pogu vai atceliet darbarīka reģistrāciju citiem darbarīkiem.

APKOPE

▲BRĪDINĀJUMS: Pirms darbarīka pārbaudes vai apkopes vienmēr pārlicinieties, ka darbarīks ir izslēgts un akumulatora kasetne ir atvienota. Ja darbarīku neizslēdz un akumulatora kasetne netiek izņemta, darbarīks var nejauši ieslēgties un radīt smagus ievainojumus.

▲BRĪDINĀJUMS: Lai darba rezultāts būtu maksimāli kvalitatīvs un drošs, vienmēr pārbaudiet, vai ripzāģa asmens ir ass un tīrs. Zāģēšana ar trulu un/vai netīru asmeni var izraisīt atsitieni un radīt smagus ievainojumus.

▲UZMANĪBU: Pirms pārbaudes vai apkopes vienmēr pārlicinieties, ka asmens aizsargs ir aizvērts sākotnējā pozīcijā. Tīrīšanas darbību laikā nekad neiespīļiet un nepiesieniet asmens aizsargu atvērtā stāvoklī. Atklāts asmens var izraisīt smagas traumas.

IEVĒRĪBAI: Nekad neizmantojiet gāzoliņu, benzīnu, atšķaidītāju, spirtu vai līdzīgus šķidrumus. Tas var radīt izbalēšanu, deformāciju vai plaisas.

Lai saglabātu izstrādājuma DROŠU un UZTICAMU darbību, remontdarbus, apkopi un regulēšanu uzticiet veikt tikai Makita pilnvarotam vai rūpnīcas apkopes centram, un vienmēr izmantojiet tikai Makita rezerves daļas.

Zāģēšanas leņķa noregulēšana

Šis darbarīks ir uzmanīgi noregulēts un savietots rūpnīcā, taču, ja ar to nerīkosieties saudzīgi, tas vairs var nebūt pareizi noregulēts. Ja darbarīks nav pareizi savietots, rīkojieties šādi:

Zāģēšanas leņķis

Nolaidiet rokturi pilnībā uz leju un bloķējiet to nolaistā pozīcijā ar aiztura tapu. Spiediet atbalstu pret vadotnes ierobežotāju.

Grieziet rokturi pretēji pulksteņrādītāju kustības virzienam un sagatavojiet pagriežamo pamatni fiksētā aiztura funkcijai, izmantojot fiksēšanas sviru.

Tad atskrūvējiet vaļīgāk skrūves, kas fiksē rādītāju un zāģēšanas leņķa skalu.

► **Att.83:** 1. Rokturis 2. Bloķēšanas svira 3. Pieskrūvējiet rādītāju. 4. Zāģēšanas leņķa skalas skrūves 5. Zāģēšanas leņķa skala

Izmantojot fiksētā aiztura funkciju, iestatiet pagriežamo pamatni 0° pozīcijā. Izmantojot trijstūri vai lekalu, perpendikulāri savietojiet ripzāģa asmens sānu ar vadotnes ierobežotāja priekšpusi. Saglabājot perpendikulāro stāvokli, pievelciet zāģēšanas leņķa skalas skrūves. Pēc tam savietojiet rādītāju (gan labo, gan kreiso) ar zāģēšanas leņķa skalas 0° pozīciju un pievelciet rādītāja skrūves.

► **Att.84:** 1. Trijstūris 2. Rādītājs

Slīpais leņķis

0° slīpais leņķis

Spiediet atbalstu pret vadotnes ierobežotājiem un bloķējiet slīdēšanu ar aiztura tapu. Nolaidiet atbalstu līdz galam leju un bloķējiet to nolaistajā stāvoklī ar aiztura tapu. Lai sasvērtu ripzāģa asmeni pa labi, grieziet kloķi pretēji pulksteņrādītāju kustības virzienam un tad pagrieziet 0° regulēšanas bultskrūvi divus vai trīs apgriezienus pretēji pulksteņrādītāju kustības virzienam.

► **Att.85:** 1. Kloķis 2. 0° regulēšanas bultskrūve 3. Rādītāja pieskrūvēšana

Izmantojot trijstūri, lekalu u. tml., ripzāģa asmens malu rūpīgi novietojiet perpendikulāri pagriežamās pamatnes augšējai virsmai, pagriežot 0° regulēšanas bultskrūvi pulksteņrādītāju kustības virzienā. Pēc tam stingri pievelciet kloķi, lai fiksētu iestatīto 0° leņķi.

► **Att.86:** 1. Trijstūris 2. Zāģa asmens 3. Pagriežamās pamatnes augšējā virsma

Vēlreiz pārbaudiet, vai ripzāģa asmens mala ir perpendikulāra pagriežamās pamatnes virsmai. Atbrīvojiet rādītāja skrūvi. Savietojiet rādītāju ar 0° pozīciju slīpleņķa skalā un pēc tam pievelciet skrūvi.

45° slīpais leņķis

IEVĒRĪBAI: Pirms 45° slīpleņķa iestatīšanas noregulējiet 0° slīpleņķi.

Atbrīvojiet kloķi un sagāziet slīdrāmi līdz galam uz to pusi, kuru vēlaties pārbaudīt. Pārbaudiet, vai rādītājs norāda uz 45° pozīciju slīpleņķa skalā.

► **Att.87:** 1. Kloķis

Ja rādītājs nenorāda uz 45° pozīciju, savietojiet to ar 45° pozīciju, pagriežot regulēšanas bultskrūvi slīpleņķa skalā pamatnes pretējā pusē.

► **Att.88:** 1. Kreisās puses 45° regulēšanas bultskrūve 2. Labās puses 45° regulēšanas bultskrūve

Lampas lēcas tīrīšana

▲UZMANĪBU: Vienmēr pirms lampas lēcas tīrīšanas noņemiet ripzāģa asmeni.

IEVĒRĪBAI: Neizskrūvējiet skrūvi, kas nostiprina lēcu. Ja lēcu nevar izņemt, turpiniet atbrīvot skrūvi.

IEVĒRĪBAI: Ar sausu drānu notīriet netīrumus no lampas. Nesaskrāpējiet lampas lēcu, jo tādējādi pasliktināsies apgaismojums.

IEVĒRĪBAI: Tīrot lēcu, nelietojiet šķīdinātājus vai tīrītājus uz naftas produktu bāzes.

Ja LED lampas lēca kļūst netīra, gaisma kļūst blāva. Regulāri tīriet lampas lēcu.

Izņemiet akumulatora kasetni. Atskrūvējiet skrūvi un izņemiet lēcu. Saudzīgi notīriet lēcu ar mitru drānu.

► **Att.89:** 1. Skrūve 2. Lēca

Pēc ekspluatācijas

Pēc ekspluatācijas ar lupatiņu vai ko līdžīgu no darbarīka notīriet tam pielīpušās skaidas un putekļus. Rūpējīeties, lai asmens aizsargs būtu tīrs, ievērojot iepriekš minētajā sadaļā „Asmens aizsargs” minētos norādījumus. Slīdošās daļas ieeļļojiet ar mašīneļļu, lai tās nesarūsētu.

PAPILDU PIEDERUMI

▲BRĪDINĀJUMS: Šos piederumus vai papildierīces ieteicams izmantot kopā ar šajā rokasgrāmatā aprakstīto „Makita” darbarīku. Izmantojot citus piederumus vai papildierīces, var radīt smagus ievainojumus.

▲BRĪDINĀJUMS: Piederumu vai papildierīces izmantojiet tikai paredzētajam mērķim. Nepareizi lietojot piederumus vai papildierīces, var radīt smagus ievainojumus.

Ja jums vajadzīga palīdzība vai precīzāka informācija par šiem piederumiem, vērsīeties savā tuvākajā Makita apkopes centrā.

- Zāga asmeņi ar karbīda uzgaļiem
- Vertikālās skrūvspīles
- Horizontālās skrūvspīles
- Griestu cokola aizturu komplekts
- Putekļu maiss
- Trijstūris
- Seššķautņu uzgriežņu atslēga
- Bezvadu ierīce
- Staģīva komplekts
- Pamatnes pagarinātājs
- Makita oriģīnālais akumulators un lādētājs

PIEZĪME: Daži sarakstā norādītie izstrādājumi var būt iekļauti instrumenta komplektācijā kā standarta piederumi. Tie dažādās valstīs var būt atšķirīgi.

SPECIFIKACIJOS

Modelis:		LS004G
Disko skersmuo	Europos šalys	260 mm
	Ne Europos šalys	255 mm–260 mm
Angos skersmuo	Europos šalys	30 mm
	Ne Europos šalys (priklauso nuo šalies)	15,88 mm / 25,4 mm / 30 mm
Didž. pjūklo disko prapjovimo storis		3,2 mm
Didž. įžambus kampas		Dešinėje 60°, kairėje 60°
Didž. įstrižas kampas		Dešinėje 48°, kairėje 48°
Greitis be apkrovos (sūk./min.)		3 600 min ⁻¹
Matmenys (I x P x A)		805 mm x 644 mm x 660 mm
Nominali įtampa		Nuol. sr. maks. 36 V–40 V
Grynasis svoris		26,6–27,2 kg

Pjovimo pajėgumas (A x P)

Įžambusis kampas	Įstrižasis kampas		
	45° (kairėje)	0°	45° (dešinėje)
0°	42 mm x 310 mm 58 mm x 279 mm	68 mm x 310 mm 91 mm x 279 mm	29 mm x 310 mm 43 mm x 279 mm
45° (dešinėje ir kairėje)	42 mm x 218 mm 58 mm x 197 mm	68 mm x 218 mm 91 mm x 197 mm	29 mm x 218 mm 43 mm x 197 mm
60° (dešinėje ir kairėje)	-	68 mm x 155 mm 91 mm x 139 mm	-

Specialiųjų pjūvių pjovimo pajėgumas

Pjovimo tipas	Pjovimo pajėgumas
Lubų apdailos juostos, 45° tipas (su naudojamu apdailos juostų fiksatoriumi)	168 mm
Grindjuostės (su naudojamu horizontaliu spaustuvu)	133 mm

- Atliekame tęstinius tyrimus ir nuolat tobuliname savo gaminius, todėl čia pateikiamos specifikacijos gali būti keičiamos be įspėjimo.
- Skirtingose šalyse specifikacijos gali skirtis.
- Svoris gali priklausyti nuo priedo (-ų), įskaitant akumuliatoriaus kasetę. Lengviausias ir sunkiausias deriniai pagal EPTA 2014 m. sausio mėn. procedūrą yra parodyti lentelėje.

Tinkama akumuliatoriaus kasetė ir (arba) įkroviklis

Akumuliatoriaus kasetė	BL4020 / BL4025 / BL4040* / BL4050F* *: rekomenduojamas akumuliatorius
Įkroviklis	DC40RA / DC40RB / DC40RC

- Atsižvelgiant į gyvenamosios vietos regioną, kai kurios pirmiau nurodytos akumuliatoriaus kasetės ir įkrovikliai gali būti neprieinami.

⚠️ ĮSPĖJIMAS: Naudokite tik akumuliatoriaus kasetes ir įkroviklius, kurie nurodyti anksčiau. Naudojant bet kurias kitas akumuliatoriaus kasetes ir įkroviklius, gali kilti sužeidimo ir gaisro pavojus.

Simboliai

Toliau yra nurodyti simboliai, kurie gali būti naudojami įrankiui. Prieš naudodami įsitinkinkite, kad suprantate jų reikšmę.



Perskaitykite instrukcijų vadovą.



Užsidėkite apsauginius akinius.



Saugodamiesi sužalojimų, kuriuos gali sukelti skriejančios atliekos, baigę pjauti pjūklų galvutę laikykite nuleidę, kol diskas visiškai sustos.



Atlikdami įstrižąjį pjūvį, pirmiausia rankenėle pasukite prieš laikrodžio rodyklę, tuomet pakreipkite vežimėlį. Po to pasukite rankenėle pagal laikrodžio rodyklę, kad priveržtumėte.



Atlikdami slenkamąjį pjūvį, pirmiausiai iki galo patraukite vežimėlį ir nuspauskite rankeną žemyn, tada pastumkite vežimėlį kreipiamojo aptvaro link.



Kai kreipiate vežimėlį dešinėn, laikykite atlaisvinimo mygtuką nuspaustą.



Kai pjaunate grindjuostę 45° įžambiu kampu, užfiksuoikite fiksavimo svirtį.



Nekiškite rankų ir pirštų prie disko.



Nežiūrėkite į įjungtą lemputę.



A: disko skersmuo
B: angos skersmuo



Neuždėkite horizontaliųjų spaustuvų ta pačia kryptimi kaip įžambūsį pjovimas. (Šis simbolis naudojamas ant horizontaliųjų spaustuvų)



Taikoma tik ES šalis
Kadangi įrangoje yra pavojingų komponentų, panaudota elektrinė ir elektroninė įranga, akumulatoriai ir baterijos gali turėti neigiamą poveikio aplinkai ir žmonių sveikatai. Nešalinkite elektros ir elektroninių prietaisų ar baterijų kartu su buitinėmis atliekomis! Pagal Europos direktyvą dėl elektros ir elektroninės įrangos atliekų bei akumulatorių ir baterijų ir panaudotų akumulatorių ir baterijų bei jos pritaikymą nacionaliniams įstatymams, panaudota elektros ir elektroninė įranga, baterijos ir akumulatoriai turi būti surenkami atskirai ir pristatomi į atskirą buitinių atliekų surinkimo punktą, kuris veikia pagal aplinkos apsaugos taisykles. Tai rodo perbrauktas konteinerio ant ratukų simbolis, pateiktas ant įrangos.

Numatytoji naudojimo paskirtis

Šis įrankis skirtas tiksliai tiesiam ir kūginiam medienos pjovimui.

Nenaudokite pjūklų jokioms kitoms medžiagoms pjauti, išskyrus medieną, aliuminį arba panašias.

Triukšmas

Įprastas triukšmo A lygis, nustatytas pagal EN62841-3-9:

Garso slėgio lygis (L_{pA}): 91 dB (A)

Garso galios lygis (L_{WA}): 100 dB (A)

Paklaida (K): 3 dB (A)

PASTABA: Paskelbta (-os) triukšmo reikšmė (-ės) nustatyta (-os) pagal standartinį testavimo metodą ir ji galima naudoti vienam įrankiui palyginti su kitu.

PASTABA: Paskelbta (-os) triukšmo reikšmė (-ės) taip pat gali būti naudojama (-os) norint preliminariai įvertinti triukšmo poveikį.

⚠️ ĮSPĖJIMAS: Dėvėkite ausų apsaugą.

⚠️ ĮSPĖJIMAS: Faktiškai naudojant elektrinį įrankį, keliamo triukšmo dydis gali skirtis nuo paskelbtos (-ų) reikšmės (-ių), priklausomai nuo būdų, kuriais yra naudojamas šis įrankis, ir ypač nuo to, kokio tipo ruošinys apdirbamas.

⚠️ ĮSPĖJIMAS: Siekdami apsaugoti operatorių, būtinai įvertinkite saugos priemones, remdamiems vibracijos poveikio įvertinimu esant faktinėms naudojimo sąlygoms (atsižvelgdami į visas darbo ciklo dalis, pavyzdžiui, ne tik kiek laiko įrankis veikia, bet ir kiek kartų jis yra išjungiamas bei kai jis veikia be apkravų).

EB atitikties deklaracija

Tik Europos šalis

EB atitikties deklaracija yra pridama kaip šio instrukcijų vadovo A priedas.

SAUGOS ĮSPĖJIMAI

Bendrieji įspėjimai dirbant elektriniais įrankiais

⚠️ ĮSPĖJIMAS: Perskaitykite visus saugos įspėjimus, instrukcijas, iliustracijas ir techninius duomenis, pateiktus kartu su šiuo elektriniu įrankiu. Nesilaikant visų toliau išvardytų instrukcijų galima patirti elektros smūgi, gali kilti gaisras ir (arba) galima sunkiai susižaloti.

Išsaugokite visus įspėjimus ir instrukcijas, kad galėtumėte jas peržiūrėti ateityje.

Terminas „elektrinis įrankis“ pateiktuose įspėjimuose reiškia į maitinimo tinklą jungiamą (laidinį) elektrinį įrankį arba akumuliatoriaus maitinamą (belaidį) elektrinį įrankį.

Įžambiai pjaunančių pjūklų saugos instrukcijos

1. Įžambiai pjaunantys pjūklai yra skirti medienos ar į medieną panašiems gaminiams pjauti, jų negalima naudoti su šlifuojamaisiais nupjovimo diskais geležinėms medžiagoms (sijoms, strypams, vinims ir pan.) pjauti. Dėl šlifuojančių susidaranciu dulkių judamosios dalys (pvz., apatinė apsauga) stringa. Per šlifuojamąjį pjovimą kylančios kibirkštys nedužins apatinę apsaugą, prapjovimo įdeklą ir kitas plastikines dalis.
 2. Kai įmanoma, ruošinį įtvirtinkite spaustuvais. Jei ruošinį remiate ranka, ją laikykite mažiausiai 100 mm atstumu nuo bet kurios pjūklo disko pusės. Nenaudokite šio pjūklo pernelyg mažoms dalims, kurių nebūtų galima saugiai prispausti arba laikyti ranka, pjauti. Ranką padėjus pernelyg arti pjūklo disko, didėja rizika susižaloti jį palietus.
 3. Ruošinys turi būti stabilus ir prispaustas arba padėtas priešais aptvarą ir stalą. Jokių būdu nestumkite ruošinio disko link ir nepjaukite rankomis. Nepritvirtinti ar judantys ruošiniai gali būti staiga išmesti ir jus sužaloti.
 4. Spauskite pjūklą per ruošinį. Netraukite pjūklo per ruošinį. Norėdami pjauti, pakelkite pjūklo priekinę dalį ir nepjudami traukite ją virš ruošinio, paleiskite variklį, spauskite pjūklo priekinę dalį žemyn, o pjūklą – per ruošinį. Tikėtina, kad traukiant pjūklo diskas atsiders ruošinio viršuje ir per jėgą išmes pjūklo mechanizmą operatoriaus link.
 5. Niekada nedėkite rankos už numatytos pjovimo linijos pjūklo disko priekyje arba už jo. Prilaikyti ruošinį sukryžiuvus rankas (t. y. laikant ruošinį pjūklo disko dešinėje pusėje kairiąja ranka arba atvirščiai) yra labai pavojinga.
- Pav.1
6. Kai diskas sukasi, ranka nesiekite už aptvaro arčiau nei 100 mm atstumu nuo bet kurios pjūklo disko pusės, jei prireiktų pašalinti medienos gabalėlius ar dėl kitos priežasties. Besisukantis pjūklo diskas gali būti arčiau jūsų rankos, nei manote, todėl galite sunkiai susižaloti.
 7. Prieš pjudami patikrinkite ruošinį. Jei ruošinys yra lenktas arba iškreiptas, suspauskite jį išlenktos dalies išorėje aptvaro link. Visada įsitikinkite, kad tarp ruošinio, aptvaro ir stalo palei pjovimo liniją nėra tarpo. Lenkti arba iškreipti ruošiniai gali susisukti arba pasislinkti, todėl pjaunant besisukantis pjūklo diskas gali užstringti. Ruošinyje neturi būti vinių ar kitų pašalinių objektų.
 8. Nenaudokite pjūklo, kol ant stalo yra pašalinių įrankių, medienos gabalėlių ir pan. Nedidelės nuopjovos, palaidi medienos gabalėliai arba kiti objektai, palietę besisukančią diską, gali būti išmesti dideliu greičiu.
 9. Vienu metu pjaukite tik vieną ruošinį. Vieno ant kito sukrautų ruošinių nepavyks tinkamai prispausti arba suimti, todėl jie gali įstrigti diske arba pasislinkti pjaunant.
 10. Prieš naudodami įsitikinkite, kad įžambiai pjaunantis pjūklas sumontuotas arba padėtas ant lygus ir tvirto darbinio paviršiaus. Lygus ir tvirtas darbinis paviršius užtikrina įžambiai pjaunančio pjūklo stabilumą.
 11. Planuokite savo darbą. Kaskart keisdami įstrijojo ir įžambiojo kampų nuostatas, įsitikinkite, kad reguliuojamas aptvaras tinkamai prilaikęs ruošinį, nesilies su disku ar apsaugos sistema. Neįjungdami įrankio ir nepadėję ruošinio ant stalo, stumkite pjūklo diską per imituotą pjūvio vietą, kad įsitikintumėte, jog nekils pavojaus atsitrinkti ar nupjauti ruošinį.
 12. Pasirūpinkite tinkama atrama, skirta ruošiniui, platesniam ar ilgesniam už stalo paviršių (tai gali būti stalo ilginiai, ožys malkoms pjauti ir kt.). Už įžambiai pjaunancio pjūklo stalą ilgesni ar platesni ruošiniai gali nuvirsti, jei jų neprilaikysite tinkamai. Jei nupjaunama dalis ar ruošinys pakryptų, jį (-is) gali pakelti apatinę apsaugą ar būti numesta (-as) besisukančio disko.
 13. Nenaudokite kito asmens stalui paiginti arba vietoje papildomos atramos. Dėl nestabilios ruošinio atramos pjaunant diskas gali įstrigti, o ruošinys – pakrypti, todėl jūs arba pagalbininkas galite būti truktelėti besisukančio disko link.
 14. Nupjaunama dalis negali būti įstrigusi arba kokia nors priemone spaudžiama besisukančio pjūklo disko link. Jei darbą kas nors riboja (pvz., naudojami ilgio fiksatoriai), nupjaunama dalis gali būti plėšiama priešais diską ir stipriai išmesta.
 15. Visada naudokite spaustuvą arba tvirtinimo elementą, skirtą apvaliai medžiagai (pvz., strypams arba vamzdziams) prilaikyti. Pjaunami strypai linkę riedėti, todėl diskas gali įpjauti ir įtraukti ruošinį su jūsų ranka į diską.
 16. Prieš paliesdami ruošinį, leiskite diskui pradėti sukstis visu greičiu. Tai sumažins tikimybę, kad ruošinys bus išmestas.
 17. Įstrigus ruošiniui ar diskui, nusukite įžambiai pjaunantį pjūklą. Palaukite, kol visos judamosios dalys sustos, ištraukite kištuką iš maitinimo šaltinio ir (arba) išimkite akumuliatorių. Tada pašalinkite įstrigusią medžiagą. Pjaunant, kai ruošinys įstrigęs, galima sugadinti įžambiai pjaunantį pjūklą arba jo nesuvaldyti.
 18. Baigę pjauti atleiskite jungiklį, laikykite pjūklo priekinę dalį pakreiptą žemyn ir laukite, kol diskas nustos sukstis, tik tada imkite nupjautą dalį. Bandyti ranka pasiekti iš inercijos besisukančią diską yra pavojinga.
 19. Jei norėsite tik įpjauti, tvirtai laikykite pjūklą už rankenėlės, tai darykite ir prieš atleisdami jungiklį, jei pjūklo priekinė dalis nėra visiškai nuleista žemyn. Stabdant pjūklą, jo priekinė dalis gali būti staiga patraukta žemyn, tai kelia pavojų susižaloti.
 20. Naudokite tik tokio skersmens pjovimo diską, koks yra nurodytas ant įrankio arba naudojimo instrukcijoje. Naudojant netinkamo dydžio diską, diskas gali būti netinkamai apsaugotas arba netinkamai veiks apsauginis disko gaubtas, todėl galima sunkiai susižeisti.
 21. Naudokite tik tuos pjūklo diskus, ant kurių nurodytas sukimosi greitis priklauso nuo viršija ant įrankio nurodytą sukimosi greitį.
 22. Pjūklą naudokite tik medienai, aliuminiui ir panašioms medžiagoms pjauti.
 23. (Tik Europos šalims) Naudokite pjūklo diskus, atitinkančius EN847-1.

Papildomos instrukcijos

1. Pasirūpinkite, kad j dirbtuves nepatektų vaikų, užkabinkite spynas.
2. Niekada nestovėkite ant įrankio. Pjovimo įrankiui apvirtus arba jį netyčia palietus, galima sunkiai susižaloti.
3. Niekada nepalikite veikiančio įrankio be priežiūros. Išjunkite maitinimą. Nepalikite įrankio, kol jis visiškai nesustoja.
4. Nenaudokite pjūklo, jei apsauginiai įtaisai nėra įtvirtinti. Kaskart prieš naudodami patikrinkite, ar apsauginis disko įtaisas užsidaro tinkamai. Nenaudokite pjūklo, jei kas nors trukdo judėti apsauginiam disko įtaisui ir jis neužsidaro iš karto. Jokių būdu neužfiksuokite ir neprišikite apsauginio disko, jei įtaisas atdaras.
5. Žiūrėkite, kad rankos būtų kuo toliau nuo pjūklo disko. Venkite sąlyčio su bet kuriuo judančiu disku. Jis gali sunkiai sužeisti.
6. Po kiekvieno skersinio pjūvio gražinkite atramą į galinę padėtį, kad sumažintumėte riziką susižeisti.
7. Prieš nešdami įrankį, būtinai užtvirtinkite visas judamąsias dalis.
8. Stabdymo kaištis ar fiksavimo svirtelė, užfiksuojantys pjaustytuvo galvutę, skirti tik prietaisui perkelti ir saugoti, o ne pjauti.
9. Prieš naudodami patikrinkite, ar diskas nėra įtrūkęs arba pažeistas. Nedelsdami pakeiskite įtrūkusį arba apgadintą diską. Ant disko esantys sukietėję sakai ar derva lėtina pjovimą ir didina atatranks pavojų. Jei valote diską, pirmiausia išimkite jį iš įrankio, tada nuvalykite sakų ir dervos šalinimo priemone, karštu vandeniu ar žibalu. Niekada nenaudokite benzino diskui valyti.
10. Atliekant pjūvį slenkant, gali įvykti ATATRANKA. ATATRANKA įvyksta, kai pjaunant diskas įstringa ruošinyje, o pjūklo diskas greitai juda operatoriaus link. Galima nesuvaldyti įrankio ir sunkiai susižaloti. Jei pjaunant diskas pradėjo strigti, nebepajaukite ir nedelsdami atleiskite jungiklį.
11. Naudokite tik šiam įrankiui skirtas junges.
12. Saugokitės, kad nepažeistumėte veleno, jungių (ypač montavimo paviršiume) ar varžto. Pažeidus šias dalis diskas gali lūžti.
13. Įsitikinkite, ar sukiojamas pagrindas gerai pritvirtintas ir nejudės dirbant. Pagrinde esančias skyles naudokite pjūklui ant stabilios darbinės platformos arba suoliuko pritvirtinti. NIEKADA nenaudokite įrankio, jei operatoriaus padėtis nepatogi.
14. Prieš įjungdami jungiklį įsitikinkite, ar ašies fiksatorius neužfiksuotas.
15. Patikrinkite, ar diskas noliečia sukiojamo pagrindo apačios.
16. Tvirtai laikykite rankenėlę. Saugokitės, nes pradėjus ar baigiant dirbti pjūklas truputį pajuda aukštyn arba žemyn.
17. Prieš įjungdami jungiklį patikrinkite, ar diskas noliečia ruošinio.
18. Prieš naudodami įrankį su ruošiniu, leiskite jam kurį laiką veikti be apkrovos. Atkreipkite dėmesį į vibraciją arba klībėjimą – gali būti, kad įrankis netinkamai sumontuotas, arba diskas blogai subalansuotas.

19. Pastebėję ką nors neįprasto, tučtuojau nutraukite darbą.
20. Nemėginkite užfiksuoti gaiduko į padėtį „ON“ (įjungta).
21. Visada naudokite šioje instrukcijoje rekomenduojamus priedus. Naudojant netinkamus priedus, pvz., šlifavimo diskus, galima susižeisti.
22. Kai kuriose medžiagose gali būti nuodingų chemikalų. Saugokitės, kad neįkvėptumėte dulkių ir nesilieptumėte oda. Laikykitės medžiagų tiekėjo saugos nurodymų.
23. Šiam įrankiui nenaudokite laidinio maitinimo šaltinio.

Papildomos saugos taisyklės lempos naudojimui

1. Nežiūrėkite tiesiai į šviesą arba šviesos šaltinį.

SAUGOKITE ŠIAS INSTRUKCIJAS.

⚠️ ĮSPĖJIMAS: NELEISKITE, kad patogumas ir gaminio pažinimas (įgyjamas pakartotinai naudojant) susilpnintų griežtą saugos taisyklių, taikytinų šiam gaminiui, laikymąsi. Dėl NETINKAMO NAUDOJIMO arba saugos taisyklių, kurios pateiktos šioje instrukcijoje, nesilaikymo galima rimtai susižeisti.

Svarbios saugos instrukcijos, taikomos akumulatoriaus kasetei

1. Prieš naudodami akumulatoriaus kasetę, perskaitykite visas instrukcijas ir perspėjimus ant (1) akumuliatorių įkroviklio, (2) akumuliatorių ir (3) akumuliatorių naudojančio gaminio.
2. Neardykite ir negadinkite akumulatoriaus kasetės. Dėl to ji gali užsidedgti, per daug įkaisti arba sprogti.
3. Jei įrankio darbo laikas žymiai sutrumpėjo, nedelsdami nutraukite darbą su įrankiu. Tai gali kelti perkaitimo, nudegimų ar net sprogdimo pavojų.
4. Jei elektrolitas pateko į akis, plaukite jas tyru vandeniu ir nedelsdami kreipkitės į gydytoją. Gali kilti regėjimo praradimo pavojus.
5. Neužtrumpinkite akumulatoriaus kasetės:
 - (1) Nelieskite kontaktų degiomis medžiagomis.
 - (2) Venkite laikyti akumulatoriaus kasetę kartu su kitais metaliniais daiktais, pavyzdžiui, vinimis, monetomis ir pan.
 - (3) Saugokite akumulatoriaus kasetę nuo vandens ir lietaus.Trumpasis jungimas akumulatoriuje gali sukelti stiprią srovę, perkaitimą, galimus nudegimus ar net akumulatoriaus gedimą.
6. Nelaikykite ir nenaudokite įrankio ir akumulatoriaus kasetės vietoje, kur temperatūra gali pasiekti ar viršyti 50 °C (122 °F).
7. Nedeginkite akumulatoriaus kasetės, net jei yra stipriai pažeista ar visiškai susidėvėjusi. Ugnyje akumulatoriaus kasetė gali sprogti.
8. Akumulatoriaus kasetės nekalkite, nepjausykite ir nemėtykite ir taip pat į ją netranskykite kietu daiktu. Taip elgiantis, ji gali užsidedgti, per daug įkaisti arba sprogti.
9. Nenaudokite pažeisto akumulatoriaus.

10. **Įdėtoms ličio jonų akumuliatoriams taikomi Pavojingų prekių teisės akto reikalavimai.** Komeracinis transportas, pvz., trečiųjų šalių, prekių vežimo atstovų, turi laikytis specialaus reikalavimo ant pakuotės ir ženklavimo. Norėdami paruošti siųstina prekę, pasitarkite su pavojingų medžiagų specialistu. Be to, laikykitės galimai išsamesnių nacionalinių reglamentų. Užklijuokite juosta arba padenkite atvirus kontaktus ir supakuokite akumuliatorių taip, kad ji pakuotėje nejudėtų.
11. **Kai išmetate akumuliatoriaus kasetę, išimkite ją iš įrankio ir išmeskite saugioje vietoje.** Vadovaukitės vietos reglamentais dėl akumuliatorių išmetimo.
12. **Baterijas naudokite tik su „Makita“ nurodytais gaminiais.** Baterijas įdėjus į netinkamus gaminius gali kilti gaisras, gaminyje pernelyg kaisti, kilti sproginimas arba pratekėti elektrolitais.
13. **Jei įrankis bus ilgą laiką nenaudojamas, akumuliatorių būtina išimti iš įrankio.**
14. **Darbo metu ir po akumuliatoriaus kasetę gali būti įkaitusi ir dėl to nudeginti.** Imdami akumuliatoriaus kasetes, būkite atsargūs.
15. **Tuoju pat po naudojimo nelieskite įrankio gnybtų, nes jie gali būti įkaitę tiek, kad nudegins.**
16. **Nelieskite, kad į akumuliatoriaus kasetės gnybtus, angas ir griovelius patektų drožlių, dulkių ar žemių.** Dėl to įrankis ar akumuliatoriaus kasetė gali imti prastai veikti ar sugesti.
17. **Jeigu įrankis nėra pritaikytas naudoti šalia aukštos įtampos elektros linijų, akumuliatoriaus kasetės nenaudokite šalia aukštos įtampos elektros linijų.** Dėl to gali sutrikti įrankio ar akumuliatoriaus kasetės veikimas arba jie gali sugesti.
18. **Laikykite akumuliatorių vaikams nepasiekiamoje vietoje.**

SAUGOKITE ŠIAS INSTRUKCIJAS.

⚠ PERSPĖJIMAS: Naudokite tik originalų „Makita“ akumuliatorių. Neoriginalaus „Makita“ arba pakeisto akumuliatoriaus naudojimas gali nulemti gaisrą, asmens sužalojimą ir pažeidimą. Tai taip pat panaikina „Makita“ suteikiamą „Makita“ įrankio ir įkroviklio garantiją.

Patarimai, ką daryti, kad akumuliatorius veiktų kuo ilgiau

1. **Pakraukite akumuliatoriaus kasetę prieš jai visiškai išsikraunant.** Visuomet nustokite naudoti įrankį ir pakraukite akumuliatoriaus kasetę, kai pastebite, kad įrankio galia sumažėjo.
2. **Niekada nekraukite iki galo įkrautos akumuliatoriaus kasetės.** Perkraunant trumpėja akumuliatoriaus eksploatacijos laikas.
3. **Akumuliatoriaus kasetę kraukite esant kambario temperatūrai 10 - 40 °C.** Prieš pradėdami krauti, leiskite įkaitusiai akumuliatoriaus kasetei atvėsti.
4. **Kai akumuliatoriaus kasetės nenaudojate, ją išimkite iš įrankio ar įkroviklio.**
5. **Įkraukite akumuliatoriaus kasetę, jei jos nenaudojate ilgą laiką (ilgiau nei šešis mėnesius).**

Svarbios saugumo instrukcijos dėl belaidžio bloko

1. **Neardykite ir nekeiskite belaidžio bloko.**
2. **Laikykite belaidį bloką vaikams nepasiekiamoje vietoje.** Netyčia prarijus reikia nedelsiant kreiptis į medikus.
3. **Naudokite belaidį bloką tik su „Makita“ įrankiais.**
4. **Saugokite belaidį bloką nuo lietaus ir nenaudokite jo esant drėgnoms oro sąlygoms.**
5. **Nenaudokite belaidžio bloko vietose, kur temperatūra viršija 50 °C.**
6. **Nenaudokite belaidžio bloko netoli medicinos instrumentų, pavyzdžiui, širdies stimuliatorių.**
7. **Nenaudokite belaidžio bloko netoli automatišnių prietaisų.** Automatiniai prietaisai gali sugesti arba gali įvykti klaida.
8. **Nenaudokite belaidžio bloko ten, kur gali padidėti temperatūra arba atsirasti statinis elektros krūvis arba elektrinis triukšmas.**
9. **Belaidis blokas gali sukurti elektromagnetinius laukus (EML), bet jie naudotojui nekenksmingi.**
10. **Belaidis blokas yra tikslusis instrumentas.** Saugokite belaidį bloką nuo kritimo ir smūgių.
11. **Nelieskite belaidžio bloko kontakto plikomis rankomis arba metaliniais įrankiais.**
12. **Įdėdami belaidį bloką visada išimkite gaminio akumuliatorių.**
13. **Atidarydami angos dangtelį venkite vietų, kur į ją gali patekti dulkių ir vandens.** Anga visada turi būti švari.
14. **Belaidį bloką visada dėkite reikiama kryptimi.**
15. **Per smarkiai nespauskite belaidžio aktyvinimo mygtuko ant belaidžio bloko, nespauskite jo aštriu daiktu.**
16. **Dirbdami visada uždarykite angos dangtelį.**
17. **Kai įrankiai tiekiamas maitinimas, niekada neimkite belaidžio bloko iš angos.** Kitai belaidis blokas gali sugesti.
18. **Nenuimkite lipduko nuo belaidžio bloko.**
19. **Neklijuokite jokio lipduko ant belaidžio bloko.**
20. **Nepalikite belaidžio bloko ten, kur gali atsirasti statinis elektros krūvis arba elektrinis triukšmas.**
21. **Nepalikite belaidžio bloko karštoje vietoje, pavyzdžiui, automobilyje prieš saulę.**
22. **Nepalikite belaidžio bloko dulkoje ar milto vietoje vietoje arba ten, kur gali atsirasti išdriususių dujų.**
23. **Nuo staigaus temperatūros pokyčio belaidis blokas gali aprasoti.** Nenaudokite belaidžio bloko, kol rasa visiškai nenudžiūvo.
24. **Norėdami nuvalyti belaidį bloką, švelniai pavalykite sausa minkšta šluoste.** Nenaudokite benzino, skiediklio, laidaus tepalo ir panašių medžiagų.
25. **Laikykite belaidį bloką pridėjame dėkle arba nuo statinio krūvio apsaugotoje taroje.**
26. **Nekiškite į įrankio angą jokių kitų prietaisų, išskyrus „Makita“ belaidį bloką.**
27. **Nenaudokite įrankio, kurio angos dangtelis pažeistas.** Į angą patekęs vanduo, dulksė ir purvas gali jį sugadinti.
28. **Netraukite ir (arba) nesukite angos dangtelio daugiau, nei reikia.** Atstatykite dangtelį į vietą, jei jis nukrinta nuo įrankio.
29. **Pakeiskite angos dangtelį, jei jo nėra arba jis pažeistas.**

SAUGOKITE ŠIAS INSTRUKCIJAS.

DALIŲ APRAŠYMAS

► Pav.2

1	Rankenėlė (įstrižajam kampui)	2	Šešiakampis veržliasukis	3	Reguliavimo varžtas (apatinei ribinei padėčiai)	4	Reguliavimo varžtas (didž. pjovimo pajėgumui)
5	Fiksavimo rankena	6	Atlaisvinimo mygtukas	7	Gaidukas	8	Dangtis (belaidžiam blokui)
9	Pakabinamos spynos anga	10	Belaidžio aktyvinimo mygtukas	11	Belaidžio aktyvinimo lemputė	12	Lemputės mygtukas
13	Vakuuminio valymo mygtukas	14	Disko aptvaras	15	Pjūklo disko apsauginis įtaisas	16	Laikiklis
17	Fiksuojamoji svirtis (sukiojamam pagrindui)	18	Atleidimo svirtis (sukiojamam pagrindui)	19	Rankena (sukiojamam pagrindui)	20	Prapjovimo plokštė
21	Įžambiojo kampo skalė	22	Rodyklė (įžambiam kampui)	23	Sukiojamas pagrindas	24	Atleidimo mygtukas (dešinės pusės įstrižajam kampui)
25	Vertikalus spaustuvas	26	Fiksavimo smaigas (atramai slankioti)	27	Slankiojimo strypas	-	-

► Pav.3

1	Rankena	2	Akumuliatoriaus kasetė	3	Dulkių maišelis (pakeitus jį dulkių ištraukimo žarna)	4	Žarna (dulkėms ištraukti)
5	0° kampo reguliavimo varžtas (įstrižajam kampui)	6	Įstrižojo kampo skalė	7	Rodyklė (įstrižajam kampui)	8	45° kampo reguliavimo varžtas (įstrižajam kampui)
9	Užrakto svirtis (įstrižajam kampui)	10	Atleidimo svirtis (48° įstrižajam kampui)	11	Kreipiamasis aptvaras (viršutinis aptvaras)	12	Kreipiamasis aptvaras (apatinis aptvaras)
13	Fiksavimo smaigas (atramai pakelti)	14	Ašies fiksatorius	-	-	-	-

SUMONTAVIMAS

Rankenos montavimas

Įsukite sriegiuotą rankenos veleną į sukiojamą pagrindą.

► **Pav.4:** 1. Rankena 2. Sukiojamas pagrindas

Dulkių ištraukimo žarnos tvirtinimas ir išėmimas

Privirtinkite žarnos alkūnę prie viršutinės angos taip, kad fiksavimo mygtukas būtų viršuje. Įdėkite žarnos įvorę į apatinę angą, paspausdami ir sulygiuodami stabdiklio mygtukus ant įvorės su ant angos esančiais kreipiamaisiais grioveliais.

Įsitikinkite, kad alkūnė ir įvorė tinkamai įdėtos į įrankio angas.

► **Pav.5:** 1. Dulkių ištraukimo žarna 2. Alkūnė 3. Fiksavimo mygtukas 4. Įvorė 5. Viršutinė anga 6. Apatinė anga

Norėdami nuimti žarnos alkūnę nuo angos, traukite alkūnę, spausdami žemyn fiksavimo mygtuką.

► **Pav.6:** 1. Fiksavimo mygtukas 2. Alkūnė

Norėdami nuimti žarnos įvorę nuo angos, patraukite įvorę, spausdami stabdiklio mygtukus abiejose angos pusėse.

► **Pav.7:** 1. Stabdiklio mygtukas 2. Įvorė

Staklių montavimas

Įrankį transportuojant, jo rankenėlė fiksavimo smaigu užfiksuojama apačioje. Šiek tiek nuleisdami rankenėlę, patraukite fiksavimo smaigą ir sukite jį 90° kampui.

► **Pav.8:** 1. Užfiksuota padėtis 2. Atfiksuota padėtis 3. Fiksavimo smaigas

Šį įrankį reikia prisukti keturiais varžtais prie lygaus, stabilaus paviršiaus, įsukant juos į įrankio pagrinde varžtams padarytas skylės. Tai neleidžia įrankiui pasvirti ir sukelti sužeidimo pavojų.

► **Pav.9:** 1. Varžtai

▲ ĮSPĖJIMAS: Užtikrinkite, kad įrankis nejudėtų ant atraminio paviršiaus. Jei pjaunant kampinis pjūklas pajudės ant atraminio paviršiaus, galite nesuvaldyti įrankio ir sunkiai susižeisti.

VEIKIMO APRAŠYMAS

▲JSPĖJIMAS: Prieš pradėdami reguliuoti arba tikrinti įrankio veikimą, visuomet būtinai išjunkite įrankį ir išimkite akumuliatoriaus kasetę. Neišjungus ir neišėmus akumuliatoriaus kasetės, netyčia įjungus įrankį, galima sunkiai susižeisti.

Akumuliatoriaus kasetės uždėjimas ir nuėmimas

▲PERSPĖJIMAS: Prieš įdėdami arba išimdami akumuliatoriaus kasetę, visada išjunkite įrankį.

▲PERSPĖJIMAS: Įdėdami arba išimdami akumuliatoriaus kasetę, tvirtai laikykite įrankį ir akumuliatoriaus kasetę laikysite netvirtai, jie gali išslsti iš jūsų rankų, todėl įrankis ir akumuliatoriaus kasetė gali būti sugadinti, o naudotojas sužalotas.

► **Pav.10:** 1. Raudonas sandariklis (indikatorius)
2. Mygtukas 3. Akumuliatoriaus kasetė

Jei norite išimti akumuliatoriaus kasetę, ištraukite ją iš įrankio, stumdami mygtuką, esantį kasetės priekyje.

Jei norite įdėti akumuliatoriaus kasetę, ant akumuliatoriaus kasetės esantį liežuvėlį sutapdinkite su korpuso esančiu grovečiu ir įstumkite į jai skirtą vietą. Įstatykite iki pat galo, kad spragtelėdama užsifikuotų. Jeigu matote raudoną sandariklį (indikatorių), kaip parodyta paveikslėlyje, ji nėra visiškai užfiksuota.

▲PERSPĖJIMAS: Akumuliatoriaus kasetę visada įkiškite iki galo, kol nebeatysite raudono sandariklio (indikatoriaus) Priešingu atveju ji gali atsitiktinai iškristi iš įrankio ir sužeisti jus arba aplinkinius.

▲PERSPĖJIMAS: Nekiškite akumuliatoriaus kasetės jėga. Jeigu kasetė sunkiai lenda, ją kiškite netinkamai.

Įrankio / akumuliatoriaus apsaugos sistema

Įrankyje įrengta įrankio / akumuliatoriaus apsaugos sistema. Ši sistema automatiškai atjungia variklio maitinimą, kad įrankis ir akumuliatorius ilgiau veiktų. Įrankis automatiškai išsijungs darbo metu esant vienai iš toliau nurodytų įrankio arba akumuliatorius darbo sąlygų. Esant tam tikroms sąlygoms užsidega indikatoriai.

Apsauga nuo perkrovos

Kai įrankis / akumuliatorius naudojamas taip, kad neįprastai padidėja elektros srovė, įrankis automatiškai išsijungia. Tokiu atveju išjunkite įrankį ir nutraukite darbą, dėl kurio kilo įrankio perkrova. Tada vėl įjunkite įrankį.

Apsauga nuo perkaitimo

Jeigu įrankis / akumuliatorius perkaista, įrankis automatiškai išsijungia ir pradeda mirksėti lemputė. Tokiu atveju palaukite, kol įrankis atvės, paskui vėl jį įjunkite.

Apsauga nuo visiško išsikrovimo

Žymiai sumažėjus likusiai akumuliatoriaus galiai, įrankis automatiškai išsijungia. Jeigu įrankis neveikia net ir spaudžiant jungiklius, išimkite akumuliatorių iš įrankio ir įkraukite.

Likusios akumuliatoriaus galios rodymas

Paspauskite akumuliatoriaus kasetės tikrinimo mygtuką, kad būtų rodoma likusi akumuliatoriaus energija. Maždaug trims sekundėms užsidegs indikatorius lemputės.

► **Pav.11:** 1. Indikatorius lemputės 2. Tikrinimo mygtukas

Indikatorių lemputės			Likusi galia
Šviečia	Nešviečia	Blyksi	
			75 - 100 %
			50 - 75 %
			25 - 50 %
			0 - 25 %
			Įkraukite akumuliatorių.
			Galimai įvyko akumuliatoriaus veikimo triktis.

PASTABA: Rodmuo gali šiek tiek skirtis nuo faktinės energijos lygio – tai priklauso nuo naudojimo sąlygų ir aplinkos temperatūros.

PASTABA: Veikiant akumuliatoriaus apsaugos sistemai ims mirksėti pirmoji (toliausiai kairėje) indikatorius lemputė.

Rankenėlės fiksatorius

▲PERSPĖJIMAS: Atleisdami fiksavimo smaigą, visada laikykite už rankenos. Antraip rankena pakils į viršų ir gali sužaloti.

Rankeną fiksavimo smaigu galima užfiksuoti nuleis-toje arba pakeltoje padėtyje. Iki galo nuleiskite arba pakelkite rankeną ir tada patraukite ir pasukite fiksavimo smaigą į užfiksuotą padėtį. Norėdami atlaisvinti rankeną, patraukite fiksavimo smaigą ir pasukite jį 90° kampu į atlaisvintą padėtį, šiek tiek nuleisdami rankeną.

► **Pav.12:** 1. Užfiksuota padėtis 2. Neužfiksuota padė-tis 3. Fiksavimo smaigas

Slankusis fiksatorius

Norėdami laisvai judinti atramą, patraukite fiksavimo smaigą ir pasukite jį 90° kampu atrakinatoje padėtyje. Norėdami užfiksuoti atramos stumdymą, stumkite atramą link virties, kol atrama sustos ir tuomet grąžin-kite fiksavimo smaigą į užrakinimo padėtį.

► **Pav.13:** 1. Užfiksuota padėtis 2. Neužfiksuota padė-tis 3. Fiksavimo smaigas 4. Svirtis

Pjovimo disko apsauga

⚠️ JSPĖJIMAS: Niekada neužblokuokite ir nenuimkite disko apsaugos arba ją tvirtinančios spyruoklės. Užblokavus apsaugą, darbo metu galima sunkiai susižeisti į neuždengtą diską.

⚠️ JSPĖJIMAS: Niekada nenaudokite šio įrankio, jei disko apsauga arba spyruoklė yra pažeista, sugadinta arba nuimta. Naudojant įrankį su pažeista, sugadinta arba nuimta apsauga, galima sunkiai susižeisti.

⚠️ PERSPĖJIMAS: Kad galėtumėte saugiai dirbti, visada pasirūpinkite, kad disko apsauga būtų tinkamas darbui būklės. Jei pastebėjote kokių nors disko apsaugos netinkamo veikimo požymių, nedelsdami nutraukite darbą. Patikrinkite spyruoklę, ar ji gali sugrąžinti apsaugą į pradinę padėtį.

Nuleidus rankenėlę, disko apsauga pakyla automatiškai. Apsaugoje įrengta spyruoklė, kuri, baigus pjauti ir pakėlus rankenėlę, sugrąžina apsaugą į pradinę padėtį.

► **Pav.14:** 1. Pjovimo disko apsauga

Valymas

Jeigu permatoma disko apsauga susitepa arba prie jos prilimpa pjuvenos ir jeigu disko ir (arba) ruošinio negalima lengvai įžiūrėti, išimkite akumulatoriaus kasetę ir kruopščiai nuvalykite apsaugą drėgnu skudurėliu. Plastikinio apsauginio įtaiso negalima valyti tirpikliais arba naftos pagrindu pagamintais valikliais, nes šios medžiagos jį gali pažeisti. Vykdykite papunkčiui išdėstytas instrukcijas, nurodancias, kaip pasiruošti valymui.

1. Patikrinkite, ar įrankis išjungtas ir išimta akumulatoriaus kasetė.
 2. Laikydami už centrinio gaubto, tiekiamu šešiabriauniu veržliarakčiu sukite šešiakampį varžtą prieš laikrodžio rodyklę.
 3. Pakelkite disko apsaugą ir atidenkite centrinį gaubtą.
 4. Baigę valyti, centrinį gaubtą gražinkite į jo vietą ir atvirkštine tvarka atikdami prieš tai nurodytus veiksmus priveržkite šešiakampį varžtą.
 5. Gražinkite diskinio pjūklo diską ir centrinį gaubtą į pradines padėtis ir priveržkite šešiakampį varžtą.
- **Pav.15:** 1. Šešiabriaunis veržliaraktis
2. Šešiakampis varžtas 3. Centrinis gaubtas 4. Pjovimo disko apsauga

⚠️ JSPĖJIMAS: Nenuimkite pjovimo disko apsauginį įtaisą laikančios spyruoklės. Jeigu laikui bėgant arba dėl ultravioletinių spindulių poveikio apsauga būtų sugadinta, susisiekiote su „Makita“ techninės priežiūros tarnyba dėl pakeitimo. **NEIŠJUNKITE IR NENUIMKITE APSAUGOS.**

Prapjovimo plokštės nustatymas

Šio įrankio sukiojamame pagrinde įrengtos prapjovimo plokštės, kurios sumažina iki minimumo pjūvio išėjimo pusės plėšimą. Prapjovimo plokštės gamykloje nustatomos taip, kad diskinio pjūklo diskas neliestų prapjovimo plokščių. Prieš naudodami sureguliuokite prapjovimo plokštes:

1. Būtinai išimkite akumulatoriaus kasetę. Tuomet atlaisvinkite varžtus (po du iš kairės ir dešinės pusės), laikančius prapjovimo plokštes.

► **Pav.16:** 1. Prapjovimo plokštė 2. Varžtai

PASTABA: Galinius varžtus galima lengvai atlaisvinti ir priveržti, pasukus sukiojamą pagrindą kampu. Kai sukate sukiojamą pagrindą, būtinai iki galo pakelkite rankeną.

2. Priveržkite prapjovimo plokštes tiek, kad jas galima būtų lengvai pasukti rankomis.
 3. Visiškai nuleiskite rankenėlę, tada patraukite ir pasukite fiksatoriaus smaigą bei užfiksukite rankenėlę apačioje.
 4. Patraukite ir pasukite fiksavimo smaigą ant slankiojimo strypo, kad atrama galėtų slankioti.
- **Pav.17:** 1. Fiksavimo smaigas 2. Užfiksauta padėtis 3. Neužfiksauta padėtis
5. Iki galo savęs link patraukite suportą.
 6. Nustatykite prapjovimo plokštes taip, kad jos vos liestų pjūklo disko dantų šonus.

► **Pav.18**

- **Pav.19:** 1. Pjovimo diskas 2. Disko dantys 3. Prapjovimo plokštė 4. Kairysis įstrižas pjūvis 5. Tiesusis pjūvis 6. Dešinysis įstrižas pjūvis

PASTABA: Keisdami įstrižuosius kampus, atitinkamai nustatykite prapjovimo plokštes.

PASTABA: Visada nuimkite viršutinius kreipiamuosius aptvarus ir vertikalų spaustuvą, prieš nustatydami prapjovimo plokštes kairiajam ar dešiniajam įstrižajam pjūviui.

7. Užsukite priekinius varžtus (tačiau tvirtai neužveržkite jų).
8. Stumkite atramą kreipiamųjų aptvarų link iki galo ir tuomet nustatykite prapjovimo plokštes taip, kad jos vos liestų pjūklo disko dantų šonus.
9. Užsukite galinius varžtus (bet tvirtai neužveržkite jų).
10. Nustatę prapjovimo plokštes, atleiskite rankenėlės fiksavimo smaigą ir pakelkite rankeną. Tada tvirtai užveržkite visus varžtus.

PASTABA: Nustatę įstrižą kampą, būtinai patikrinkite, ar tinkamai nustatytos prapjovimo plokštės. Tinkamai nustatius prapjovimo plokštes, ruošinys bus tinkamai atremtas ir sumažės galimybė išplėsti ruošinį.

Maksimalus pjovimo pajėgumo palaikymas

Šis įrankis gamykloje nustatytas maksimaliam pjovimo pajėgumui naudojant 260 mm pjūklo diską. Montuodami naują diskinio pjūklo diską, visada patikrinkite apatinę ribinę diskinio pjūklo disko padėtį ir, jeigu reikia, pareguliuokite ją tokiu būdu:

1. Ištraukite akumuliatoriaus kasetę. Tada pasukite fiksavimo svirtelę į fiksavimo padėtį.

► **Pav.20:** 1. Fiksavimo svirtelė

2. Stumkite atramą kreipiamųjų aptvarų link ir visiškai nuleiskite rankenėlę.

► **Pav.21:** 1. Kreipiamasis aptvaras 2. Reguliavimo varžtas

3. Šešiakampių veržliarakčiu sukite reguliavimo varžtą, kol diskinio pjūklo diskas atsidurs šiek tiek po kreipiamųjų aptvarų skersiniu ir sukiojamo pagrindo viršutiniu paviršiumi.

► **Pav.22:** 1. Sukiojamo pagrindo viršutinis paviršius 2. Kreipiamasis aptvaras

4. Sukite diską ranka, laikydami iki galo nuspaustą rankenėlę, kad patikrintumėte, ar diskinio pjūklo diskas neličia jokios apatiniam pagrinde esančios dalies. Jeigu reikia, dar truputį pareguliuokite.

⚠ PERSPĖJIMAS: Sumontavę naują diskinio pjūklo diską, neįdėdami akumuliatoriaus kasetės, visada patikrinkite, ar visiškai nuleidus rankenėlę, diskinio pjūklo diskas neličia jokios apatiniam pagrinde esančios dalies. Jeigu diskinio pjūklo diskas ličia pagrindą, gresia atatranka, galinti sukelti sunkių sužalojimų.

► **Pav.23**

⚠ PERSPĖJIMAS: Nustatę visada grąžinkite fiksavimo svirtį į pradinę padėtį.

Fiksavimo rankena

Apatinę ribinę diskinio pjūklo disko padėtį galima lengvai nustatyti, naudojant fiksavimo rankeną. Norėdami ją nustatyti, sukite fiksavimo rankeną rodyklės kryptimi, kaip parodyta piešinyje. Sukite reguliavimo varžtą taip, kad visiškai nuleidus rankenėlę, diskinio pjūklo diskas sustotų norimoje padėtyje.

► **Pav.24:** 1. Reguliavimo varžtas 2. Fiksavimo rankena

⚠ PERSPĖJIMAS: Reguluodami visada tvirtai laikykite rankeną. To nepadarius, atrama gali būti išmesta aukštyn ir sužaloti.

Įžambaus kampo nustatymas

⚠ PERSPĖJIMAS: Pakeitę įžambųjį kampą, visada įtvirtinkite sukiojamą pagrindą grąžindami užfiksavimo / atlaisvinimo svirtelę į užfiksavimo padėtį ir tvirtai užverždami rankeną.

PASTABA: Sukant sukiojamą pagrindą, rankenėlė turi būti iki galo pakelta.

1. Pasukite rankeną prieš laikrodžio rodyklę. Tada paspauskite ir palaikykite nuspaustą užfiksavimo svirtelę atlaisvintoje padėtyje.
2. Norėdami pasukti sukiojamą pagrindą, laikykite ir sukite rankeną iš vienos pusės į kitą.
3. Sulygiuokite rodyklę pagal norimą kampą įžambio kampo skalėje.
4. Atleiskite fiksavimo svirtelę ir priveržkite rankeną.
► **Pav.25:** 1. Rankena 2. Fiksavimo svirtelė
3. Rodyklė 4. Įžambio kampo skalė

Tikslaus kampo fiksavimo funkcija

Šis pjūklas naudoja tikslaus kampo fiksavimo funkciją. Galite greitai nustatyti 0°, 15°, 22,5°, 31,6°, 45° ir 60° dešiniį / kairiį įžambųjį kampą.

1. Pasukite rankeną prieš laikrodžio rodyklę
2. Paspauskite ir palaikykite nuspaustą fiksavimo svirtelę atlaisvintoje padėtyje.
3. Pasukite sukiojamą pagrindą kuo arčiau pageidaujamo teigiamo užfiksavimo kampo ir atlaisvinkite fiksavimo svirtelę.
4. Sukite sukiojamą pagrindą iki norimo teigiamo fiksavimo kampo, kol jis prisitvirtins.
5. Priveržkite rankeną.
► **Pav.26:** 1. Rankena 2. Fiksavimo svirtelė 3. Tiksliai fiksuojamas kampas

PASTABA: Norėdami atlaisvinti sukiojamą pagrindą nuo teigiamo fiksavimo funkcijos, paspauskite žemyn atlaisvinimo svirtelę. Sukiojamas pagrindas galės judėti laisvai, nelaikant nuspaudus fiksavimo svirtelės. Pasukite rankeną, kad pasuktumėte sukiojamą pagrindą pageidaujama kampu ir tada priveržkite rankeną.

► **Pav.27:** 1. Atlaisvinimo svirtelė

Įstrižo kampo nustatymas

⚠ PERSPĖJIMAS: Keisdami įstrižą kampą, visada įtvirtinkite rankeną, verždami rankenėlę ant slankiojo strypo pagal laikrodžio rodyklę.

PASTABA: Prieš reguliuodami įstrižąjį kampą, visada nuimkite viršutinius kreipiamuosius aptvarus ir vertikalų spaustuva.

PASTABA: Pakreipiant diskinio pjūklo diską, atrama turi būti iki galo pakelta.

PASTABA: Keičiant įstrižuosius kampus, tinkamai perstatykite prapjovimo plokštes, kaip paaiškinta skyriuje „Prapjovimo plokščių padėties nustatymas“.

PASTABA: Neprispauskite rankenėlės ant slankiojo strypo per smarkiai. Kitaip įstrižo kampo fiksavimo mechanizmas gali sugesti.

Diskinio pjūklo disko pakreipimas į kairę pusę

1. Sukite rankenėlę ant slankiojo strypo prieš laikrodžio rodyklę.
► **Pav.28:** 1. Rankenėlė
2. Patraukite ir sukite užrakto svirtį į parodytą padėtį.
► **Pav.29:** 1. Užrakto svirtis

- Laikykite rankeną ir pakreipkite atramą į kairę.
 - Sulygiuokite rodyklę su norimu kampu ant įstrižojo kampo skalės.
 - Norėdami pritvirtinti atraminę petį, priveržkite rankenėlę pagal laikrodžio rodyklę.
- **Pav.30:** 1. Rankenėlė 2. Rankena 3. Rodyklė 4. Įstrižojo kampo skalė

Diskinio pjūklo disko pakreipimas į dešinę pusę

- Sukite rankenėlę ant slankiojo strypo prieš laikrodžio rodyklę.
 - Laikykite rankeną ir šiek tiek pakreipkite atramą į kairę.
 - Pakreipkite atramą į dešinę, spausdami dešinės pusės įstrižojo kampo atleidimo mygtuką.
 - Sulygiuokite rodyklę su norimu kampu ant įstrižojo kampo skalės.
 - Norėdami pritvirtinti atraminę petį, priveržkite rankenėlę pagal laikrodžio rodyklę.
- **Pav.31:** 1. Rankenėlė 2. Rankena 3. Atleidimo mygtukas dešinės pusės įstrižajam kampui 4. Įstrižojo kampo skalė

Diskinio pjūklo disko pakreipimas naudojant tikslaus kampo fiksavimo funkciją

Šis pjūklas naudoja tikslaus kampo fiksavimo funkciją. Greitai galite nustatyti 22,5° ir 33,9° kampą ir dešinėje, ir kairėje.

- Sukite rankenėlę ant slankiojo strypo prieš laikrodžio rodyklę.
 - Pakreipkite atramą kuo arčiau pageidaujamo teigiamo užfiksavimo kampo, pakeldami užrakto svirtį.
 - Nustatykite užrakto svirtį į horizontalią padėtį.
 - Kreipkite atramą iki norimo teigiamo fiksuojamo kampo, kol ji prisitvirtins.
 - Norėdami pakeisti kampą, patraukite užrakto svirtį įrankio priekio link ir tada pakartotinai pakreipkite atramą.
 - Norėdami pritvirtinti atraminę petį, priveržkite rankenėlę pagal laikrodžio rodyklę.
- **Pav.32:** 1. Rankenėlė 2. Užrakto svirtis

Diskinio pjūklo disko pakreipimas didesniu kaip 0°–45° kampu

- Sukite rankenėlę ant slankiojo strypo prieš laikrodžio rodyklę.
 - Laikykite rankeną ir pakreipkite atramą 45° kampu į kairę arba į dešinę pusę.
 - Šiek tiek patraukite atramą atgal ir pasukite atleidimo svirtelę 48° įstrižuojų kampu įrankio priekio link.
 - Pakreipkite atramą toliau į kairę arba į dešinę, išlaikydami svirtį atleistą.
 - Norėdami pritvirtinti atraminę petį, priveržkite rankenėlę pagal laikrodžio rodyklę.
- **Pav.33:** 1. Rankenėlė 2. Rankena 3. Atleidimo svirtelė 48° įstrižajam kampui

Jungiklio veikimas

⚠️ JSPĖJIMAS: Prieš įdėdami akumuliatoriaus kasetę (-es) į įrankį, visuomet patikrinkite, ar gaidukas gerai veikia, o atleistas grįžta į išjungimo padėtį „OFF“. Negalima stipriai spausti gaiduko, nenuspaudus atlaisvinimo mygtuko. Taip galima sugadinti jungiklį. Naudojant įrankį, kurio gaidukas netinkamai veikia, galima jo nesuvaldyti ir sunkiai susižaloti.

⚠️ JSPĖJIMAS: NIEKADA nenaudokite įrankio, jei jo svirtinis jungiklis veikia netinkamai. Bet koks įrankis, kurio jungiklis neveikia, yra NEPAPRASTAI PAVOJINGAS; prieš toliau naudodami tokį įrankį, būtina jį pataisykite, kitaip galite sunkiai susižeisti.

⚠️ JSPĖJIMAS: NIEKADA neužklijuokite atlaisvinimo mygtuko lūpnių juosteles ir nepanaikinkite jo funkcijos kitomis priemonėmis. Jungiklis su užblokuotu atlaisvinimo mygtuku gali netyčia įjungti įrankį ir operatorius gali būti sunkiai sužeistas.

⚠️ JSPĖJIMAS: NIEKADA nenaudokite įrankio, jei jis veikia nuspaudus tik gaiduką, tačiau nenuspaudus atlaisvinimo mygtuko. Jungiklis, kurį reikia taisyti, gali netyčia įjungti įrankį ir operatorius gali būti sunkiai sužeistas. PRIEŠ pradėdami vėl naudoti įrankį, atiduokite jį suremontuoti į „Makita“ techninės priežiūros centrą.

- **Pav.34:** 1. Gaidukas 2. Atlaisvinimo mygtukas 3. Pakabinamos spygnos anga

Atlaisvinimo mygtukas neleidžia atsitiktinai paspausti gaiduko. Jei norite įjungti įrankį, paspauskite fiksavimo svirtelę, tada patraukite gaiduką. Atleiskite gaiduką, jeigu norite sustabdyti įrankį. Gaiduke yra anga pakabinamai spynai, skirtai įrankiui užrakinti.

⚠️ JSPĖJIMAS: Nenaudokite fiksatoriaus su jungiamuoju galu arba kabeliu, jei jo skersmuo yra mažesnis nei 6,35 mm. Mažesnis jungiamasis galas arba kabelis gali netinkamai užfiksuoti įrankį į išjungimo padėtį, todėl netyčia įjungus įrankį galima sunkiai susižeisti.

Pjovimo linijos parodymas naudojant LED lempos šviesą

⚠️ PERSPĖJIMAS: Lemputė nėra atspari lietai. Neplaukite lempučių vandenyje ir nenaudokite jos lietingu oru arba drėgnoje vietoje. Nesilaikydami nurodymų, galite sukelti elektros smūgį ir dūmus.

⚠️ PERSPĖJIMAS: Nelieskite lempos lešiu, nes uždegta arba ką tik išjungta lempa yra labai įkaitusi. Ji gali sukelti nudegimus.

⚠️ PERSPĖJIMAS: Nespauskite ir netrankykite lempučių, nes galite ją sugadinti arba sutrumpinti jos naudojimo laiką.

⚠️ PERSPĖJIMAS: Nežiūrėkite tiesiai į šviesą arba šviesos šaltinį.

LED lemputė apšviečia diskinio pjūklo diską, disko šešėlis krenta ant ruošinio ir veikia kaip pjaustymo linijos indikatorius, kuriam nereikia kalibracijos. Norėdami apšviesti ruošinį, paspauskite lemputės mygtuką. Atsiranda linija, kurioje pjūklo diskas lies ruošinio paviršių. Disko pjūklui leidžiantis, linija tampa ryškesnė.

- **Pav.35:** 1. Lemputės mygtukas 2. Lemputė 3. Pjovimo linija

Indikatorius padeda perpauti jau egzistuojančią, pietuku nubrėžtą pjovimo liniją, esančią ant ruošinio.

1. Norėdami, kad šešėlis metamas ant ruošinio būtų ryškesnis, laikykite rankeną ir nuleiskite diskinio pjūklo diską.
2. Sulygiuokite jau esančią ant ruošinio pjovimo liniją su pjovimo linija, kurią rodo atsiradęs šešėlis.
3. Jei reikia, suderinkite įžambiuosius kampus ir įstrižuosius kampus.

PASTABA: Nepamirškite išjungti lempos po naudojimo, nes įjungus šviesą naudojama akumuliatoriaus galia.

PASTABA: Lemputė automatiškai išsijungia praėjus 5 minutėms po to, kai nustojate naudoti prietaisą.

Elektroninė funkcija

Elektrinis stabdiklis

Šiame įrankyje įrengtas elektrinis peilio stabdiklis. Jeigu atleidus gaiduką įrankis nuolat greitai nesustoja veikti, nugabentkie įrankį į „Makita“ aptarnavimo centrą techninei apžiūrai atlikti.

▲PERSPĖJIMAS: Peilio stabdiklio sistema nėra peilio apsauginio įtaiso pakaitalas. Niekada nenaudokite įrankio be neveikiančio peilio apsauginio įtaiso. Naudojant peilį be apsauginio įtaiso, galima sunkiai susižeisti.

Nuolatinis greičio reguliavimas

Šiame įrankyje įrengta elektroninio greičio valdymo funkcija, padedanti palaikyti tolygų disko sukimosi greitį net ir tada, kai įrankis veikia su apkrova. Tolygus disko sukimosi greitis užtikrina sklandų pjovimą.

Tolygaus įjungimo funkcija

Ši funkcija leidžia sklandžiai paleisti įrankį, apriboja sukimo momentą paleidžiant.

SURINKIMAS

▲JSPĖJIMAS: Prieš pradėdami dirbti su įrankiu, visuomet būtina jį išjunkite ir išimkite akumuliatoriaus kasetę. Neišjungus įrankio ir neišėmus akumuliatoriaus kasetės, netyčia įjungus įrankį galima sunkiai susižeisti.

Šešiabriaunio veržliarakčio laikymas

Nenaudojamą šešiabriaunį veržliarakčių laikykite taip, kaip parodyta paveikslėlyje, kad nepamestumėte.

- **Pav.36:** 1. Šešiakampis veržliaraktis

Pjūklo disko montavimas arba nuėmimas

▲JSPĖJIMAS: Prieš montuodami ar nuimdami diskinio pjūklo diską, visuomet būtina išjunkite įrenginį ir išimkite akumuliatoriaus kasetę. Netyčia paleidus įrankį, galima sunkiai susižeisti.

▲JSPĖJIMAS: Norėdami nuimti ir montuoti diskinio pjūklo diską, naudokite tik „Makita“ teikiamą veržliarakčių. Jeigu nenaudosite veržliarakčio, galite perveržti arba nepakankamai priveržti šešiakampių lizdinių galvutčių varžtą; dėl to galite būti sunkiai sužaloti.

▲JSPĖJIMAS: Niekada nenaudokite dalių arba nekeiskite dalimis, kurios nebuvo pristatytos su šiuo įrankiu. Naudojant šias dalis galima sunkiai susižeisti.

▲JSPĖJIMAS: Sumontavę diskinio pjūklo diską, patikrinkite, ar jis saugiai įdėtas. Atsilaivinęs diskinio pjūklo disko priedas gali sunkiai sužaloti.

Disko nuėmimas

Norėdami nuimti diskinio pjūklo diską, atlikite šiuos veiksmus:

1. Užfiksukite atramą pakeltoje padėtyje, traukdami ir pasukdami fiksavimo smaigą užrakinimo padėtyje.
► **Pav.37:** 1. Fiksavimo smaigas 2. Neužfiksuoata padėtis 3. Užfiksuoata padėtis
2. Šešiakampių veržliarakčių atlaisvinkite šešiakampių varžtą, laikant centrinį gaubtą. Tada pakelkite disko apsaugą ir centrinį gaubtą.
► **Pav.38:** 1. Šešiakampis veržliaraktis 2. Šešiakampis varžtas 3. Centrinis gaubtas 4. Pjovimo disko apsauga
3. Norėdami užfiksuoti ašį, įspauskite ašies fiksatorių, šešiakampių veržliarakčių atlaisvinkite šešiakampės lizdinės galvutės varžtą, sukdami jį pagal laikrodžio rodyklę. Ištraukite šešiakampės lizdinės galvutės varžtą, nuimkite išorinę jungę ir diskinio pjūklo diską.
► **Pav.39:** 1. Šešiakampės lizdinės galvutės varžtas (su kairiuoju sriegiu) 2. Išorinė jungė 3. Ašies fiksatorius
4. Jeigu vidinė jungė išimta, ją uždėkite ant veleno taip, kad jos įdubusi pusė būtų priešais diskinio pjūklo diską. Jeigu jungę sumontuosite netinkamai, ji trinsis į stakles.

Įrankiai su žiedu

(priklauso nuo šalies)

- **Pav.40:** 1. Šešiakampės lizdinės galvutės varžtas (su kairiuoju sriegiu) 2. Išorinė jungė 3. Diskinio pjūklo diskas 4. Žiedas 5. Vidinė jungė 6. Velenas 7. Įdubusi pusė

Įrankiai be žiedo

(priklauso nuo šalies)

- **Pav.41:** 1. Šešiakampės lizdinės galvutės varžtas (su kairiuoju sriegiu) 2. Išorinė jungė 3. Diskinio pjūklo diskas 4. Vidinė jungė 5. Velenas 6. Įdubusi pusė

Disko montavimas

⚠️ JSPĖJIMAS: Prieš uždėdami diską ant veleno visada patikrinkite, ar tarp vidinės ir išorinės jungių uždėtas pasirinktam darbu tinkamas žiedas, skirtas disko ašies skylei. Naudojant netinkamo skersmens veleno angai skirtą žiedą, diskas gali būti sumontuotas netinkamai, būti per laisvas ir stipriai vibruoti, todėl galima nesuvaldyti įrankio ir sunkiai susižaloti.

⚠️ PERSPĖJIMAS: Montuodami diskinio pjūklo diską, įsitikinkite, kad ant disko esančios rodyklės kryptis atitinka kryptį rodyklės, esančios ant disko gaubto. Nesilaikant šių nurodymų, galite susižeisti save ir sugadinti įrenginį ir (arba) ruošinį.

Diskinio pjūklo disko ašies angos skersmenys gali skirtis priklausomai nuo gyvenamosios vietos regiono. Naudokite tinkamo dydžio žiedą diskinio pjūklo diskui fiksuoti prie veleno, kai angos skersmuo didesnis už veleno skersmenį. Norėdami uždėti diskinio pjūklo diską, atlikite šiuos veiksmus:

1. kruopščiai pritvirtinkite diskinio pjūklo diską prie vidinės jungės; įsitikinkite, kad ant diskinio pjūklo disko pažymėtos rodyklės kryptis sutampa su ant disko gaubto pažymėtos rodyklės kryptimi.

▶ **Pav.42:** 1. Rodyklė ant disko gaubto 2. Rodyklė ant diskinio pjūklo disko

2. Uždėkite išorinę jungę ir šešiakampės lizdinės galvutės varžtą, po to, spausdami ašies fiksatorių, šešiakampių veržliarakčių tvirtai užveržkite šešiakampės lizdinės galvutės varžtą, sukdami prieš laikrodžio rodyklę.

Įrankiui su žiedu

(priklauso nuo šalies)

▶ **Pav.43:** 1. Šešiakampės lizdinės galvutės varžtas (su kairiuoju sriegiu) 2. Išorinė jungė 3. Diskinio pjūklo diskas 4. Žiedas 5. Vidinė jungė 6. Velenas 7. Įdubusi pusė

Įrankiui be žiedo

(priklauso nuo šalies)

▶ **Pav.44:** 1. Šešiakampės lizdinės galvutės varžtas (su kairiuoju sriegiu) 2. Išorinė jungė 3. Diskinio pjūklo diskas 4. Vidinė jungė 5. Velenas 6. Įdubusi pusė

3. Gražinkite pjūklo disko apsauginį įtaisą ir centrinį gaubtą į jų pradines padėtis. Tada tvirtai užveržkite šešiakampį varžtą, laikant centrinį gaubtą, sukdami pagal laikrodžio rodyklę.

4. Patraukite ir pasukite fiksavimo smaigą į atlaisvintą padėtį, kad atrama būtų atlaisvinta iš pakeltos padėties. Nuleiskite atramą ir patikrinkite, ar pjūklo disko apsauginis įtaisas juda tinkamai.

⚠️ PERSPĖJIMAS: Prieš pradėdami pjauti patikrinkite, ar ašies fiksatorius atlaisvino ašį.

Dulkių siurblio prijungimas

Jei norite pjauti švariai, prijunkite „Makita“ dulkių siurblią prie dulkių ištraukimo antgalio (viršutinė dulkių jungtis) naudodami priekinį antgalį 24 (papildomas priedas).

▶ **Pav.45:** 1. 24 priekiniai antgaliai 2. Žarna 3. Dulkių siurblys

Dulkių surinkimo maišelis

⚠️ PERSPĖJIMAS: Kai pjaunate, visada pritvirtinkite dulkių maišelį arba prijunkite vakuuminį valymo įrenginį, kad apsisaugotumėte nuo su dulkėmis susijusių pavojų.

Naudojant dulkių maišelį, pjovimo darbai yra švarūs, o dulkes lengva surinkti. Norėdami pritvirtinti dulkių maišelį, nuimkite dulkių ištraukimo žarną nuo įrankio ir prijunkite dulkių maišelį bei dulkių ištraukimo antgalį (viršutinė dulkių jungtis).

▶ **Pav.46:** 1. Dulkių ištraukimo žarna 2. Dulkių maišelis 3. Dulkių ištraukimo antgalis (viršutinė dulkių jungtis)

Kai dulkių maišelis pripildo maždaug iki pusės, jį nuimkite nuo įrankio ir nutraukite tvirtinimo elementą. Išplikite maišelio turinį, lengvai jį patapšnodami, kad nukristų visos prie vidinių sienelių prilipusios dalelės, galinčios kliudyti toliau rinkti dulkes.

▶ **Pav.47:** 1. Tvirtinimo elementas

Ruošinio pritvirtinimas

⚠️ JSPĖJIMAS: Nepaprastai svarbu visada tinkamai įtvirtinti ruošinį, naudojant tinkamos rūšies spaustuvus arba specialius tvirtinimo elementus. Nesilaikant šio nurodymo, galima sunkiai susižeisti ir sugadinti įrankį ir (arba) ruošinį.

⚠️ JSPĖJIMAS: Pjaunant ruošinį, kuris yra ilgesnis nei atraminis įžambiai pjaunančio pjūklo pagrindas, atremkite jį per visą jo ilgį, esantį už atraminio pagrindo, kad ruošinys būtų horizontalus. Tinkama ruošinio atrama padeda išvengti disko suspaudimo ruošinyje ir galimos atatrankos, kuri gali sąlygoti sunkų susižeidimą. Norėdami pritvirtinti ruošinį, nepasikliaukite vien tik vertikaliu ir (arba) horizontaliu spaustuvu. Plonas ruošinys gali įlįkti. Norėdami išvengti pjūklo disko sužnybimo ir galimos ATATRANKOS, paremkite ruošinį per visą jo ilgį.

▶ **Pav.48:** 1. Atrama 2. Sukiojamas pagrindas

Kreipiamieji aptvarai

⚠️ JSPĖJIMAS: Prieš pradėdami naudoti įrankį, patikrinkite, ar tvirtai užtvirtintas viršutinis aptvaras.

⚠️ JSPĖJIMAS: Prieš pradėdami įstriząjį pjovimą, patikrinkite, ar visiškai nuleidus ir keliant rankenėlę į bet kokią padėtį ir iki galo traukiant arba stumiant atramą, įrankio dalys neliečia vienos kitų, ypač pjūklo disko. Jeigu įrankis arba diskas liečia aptvarą, gali įvykti atatranka arba ruošinys gali netikėtai pasislinkti ir sunkiai sužaloti operatorių.

Naudokite viršutinius aptvarus medžiagai, esančiai aukščiau apatinių aptvarų, prilaikyti. Įstatykite viršutinį aptvarą į kiaurymę apatiniame aptvare ir užveržkite suveržimo varžtą.

▶ **Pav.49:** 1. Viršutinis aptvaras 2. Apatinis aptvaras 3. Suveržimo varžtas 4. Reguliavimo varžtas

PASTABA: Apatiniai aptvarai prie pagrindo fiksuojami gamykloje. Nenuimkite apatinių aptvarų.

PASTABA: Jei užveržus suveržimo varžą viršutinis aptvaras vis dar nefiksuojamas, sukite reguliavimo varžtą ir uždarykite tarpą. Reguliavimo varžtas sureguliuotas gamykloje. Kol nereikia, jo nenaudokite.

Kai nenaudojate viršutinio aptvaro, jį galite laikyti ant laikiklio. Ant viršutinio aptvaro esančiu spaustuku užkabinkite jį ant laikiklio.

- **Pav.50:** 1. Laikiklis 2. Viršutinis aptvaras
3. Spaustukas

Vertikalus spaustuvas

⚠️ JSPĖJIMAS: Visų pjovimo darbų metu ruošinys privalo būti tvirtai spaustuvais pritvirtintas prie sukiojamo pagrindo ir atremtas į kreipiamąjį aptvarą. Jeigu ruošinys nėra tinkamai pritvirtintas prie aptvarų, pjaunant jis gali pasislinkti ir galbūt sugadinti diskinio pjūklą, o šis – nusiųsti ruošinį, todėl galima nesuvaldyti įrankio ir sunkiai susižeisti.

Vertikalų spaustuva galima sumontuoti kairėje arba dešinėje pagrindo pusėje. Įkiškite spaustuvo strypą į pagrindo esančią kiurymę.

- **Pav.51:** 1. Vertikalus spaustuvas 2. Vertikalaus spaustuvo kiurymė 3. Pagrindas
► **Pav.52:** 1. Spaustuvo rankena 2. Spaustuvo strypas 3. Suveržimo varžtas 4. Spaustuvo rankena

Nustatykite spaustuvo rankeną pagal ruošinio storį ir formą ir įtvirtinkite ją verždami varžtą. Jeigu priveržimo varžtas liečia vežimėlį, vertikalų spaustuva montuokite kitoje pagrindo pusėje. Patikrinkite, ar visiškai nuleidus rankenėlę jokia įrankio dalis nesiliečia prie spaustuvo. Jeigu kokia nors dalis liečia spaustuva, pakeiskite spaustuvo padėtį.

Tolygiai prispauskite ruošinį prie kreipiamųjų aptvarų ir sukiojamo pagrindo. Nustatykite ruošinį į norimą pjovimo padėtį ir užtvirtinkite jį, tvirtai užverždami spaustuvo rankeną.

PASTABA: Norėdami greitai nustatyti ruošinį, sukite spaustuvo rankeną 90° kampu prieš laikrodžio rodyklę – taip ją galėsite judinti aukštin ir žemyn. Nustatę ruošinį, norėdami jį įtvirtinti, pasukite spaustuvo rankenėlę pagal laikrodžio rodyklę.

Horizontalus spaustuvas

Pasirenkamas priedas

⚠️ JSPĖJIMAS: Visada sukite spaustuvo veržlę pagal laikrodžio rodyklę, kol ruošinys bus tinkamai įtvirtintas. Jeigu ruošinys nėra tinkamai įtvirtintas, pjaunant jis gali pasislinkti ir sugadinti diskinio pjūklą, o šis – nusiųsti ruošinį; dėl to galima nesuvaldyti įrankio ir sunkiai susižeisti.

⚠️ JSPĖJIMAS: Pjaudami ilgus, plonus ruošinius (pvz., grindjuostas), atrėmę juos į kreiptuvą, visada naudokite horizontalius spaustuvas.

⚠️ PERSPĖJIMAS: Pjaudami 20 mm ar plonesnį ruošinį, jį būtina įtvirtinkite skėtikliu.

Horizontalų spaustuva galima sumontuoti kairėje arba dešinėje pagrindo pusėje. Atlikdami 22,5° arba didesnio kampo įžambųjį pjūvimą, sumontuokite horizontalų spaustuva priešingoje pusėje nei ta, į kurią ketinama sukuti sukiojamą pagrindą.

- **Pav.53:** 1. Spaustuvo plokštė 2. Spaustuvo veržlė
3. Spaustuvo rankena

Pasukant spaustuvo veržlę prieš laikrodžio rodyklę, jie atleidžiami ir greitai juda pirmyn atgal. Norėdami suspausti ruošinį, stumkite spaustuvo rankenėlę į priekį, kol spaustuvo plokštelė palies ruošinį, tada sukite spaustuvo veržlę pagal laikrodžio rodyklę. Tada sukite spaustuvo rankeną pagal laikrodžio rodyklę, kad užtvirtintumėte ruošinį.

PASTABA: Horizontaliu spaustuva galima suspausti ruošinį, kurio didžiausias plotis 228 mm.

Laikikliai

⚠️ JSPĖJIMAS: Norėdami, kad pjūvis būtų tikslus, ir siekdami apsaugoti nuo pavojingo įrankio kontrolės praradimo, ilgus ruošinius visada atremkite, kad jie būtų horizontalūs sukiojamo pagrindo viršutiniam paviršiui. Tinkama ruošinio atrama padės išvengti disko suspaudimo ruošinyje ir galimos atatrakos, galinčios lemti sunkius sužeidimus.

⚠️ JSPĖJIMAS: Prieš pjaudami, visada įsitinkinkite, kad laikikliai yra priveržti varžtais.

Abiejose įrankio pusėse yra laikikliai; jie reikalingi, kad ilgi ruošiniai būtų laikomi horizontaliai. Atlaisvinkite varžtus ir ištraukite laikiklius iki ilgio, tinkamo ruošiniui prilaikyti. Tada užveržkite varžtus.

- **Pav.54:** 1. Laikiklis 2. Varžtas

Pjaudami tolygiai prispauskite ruošinį prie kreipiamųjų aptvarų.

- **Pav.55:** 1. Kreipiamasis aptvaras 2. Laikiklis

Pagalbinis pagrindas

Pasirenkamas priedas

⚠️ JSPĖJIMAS: Norėdami, kad pjūvis būtų tikslus, ir siekdami apsaugoti nuo pavojingo įrankio kontrolės praradimo, ilgus ruošinius visada atremkite, kad jie būtų horizontalūs sukiojamo pagrindo viršutiniam paviršiui. Tinkama ruošinio atrama padės išvengti disko suspaudimo ruošinyje ir galimos atatrakos, galinčios lemti sunkius sužeidimus.

⚠️ JSPĖJIMAS: Prieš pjaudami, visada įsitinkinkite, kad pagalbinis pagrindas yra priveržtas varžtu.

PASTABA: Montuodami laikykitės su pasirenkamu pagalbiniu pagrindu pateiktų instrukcijų.

Sumontuokite pasirenkamą pagalbinių pagrindą pagrindo, kad ilgi ruošiniai būtų prilaikomi patikimiau. Atlaisvinkite varžtą ir ištraukite pagalbinių pagrindą iki ilgio, tinkamo ruošiniui prilaikyti. Tada užveržkite varžtą.

- **Pav.56:** 1. Pagalbinis pagrindas 2. Varžtas

Pjaudami paguldykite ruošinį prie kreipiamojo aptvaro ir papildomos užtvaros ant pagalbinio pagrindo.

► **Pav.57:** 1. Kreipiamasis aptvaras 2. Papildoma užtvara 3. Pagalbinis pagrindas

Papildomos užtvaros reguliavimas

Sureguliuokite papildomą užtvaramą ant pagalbinio pagrindo, jei ji nesulygiuota su kreipiamuoju aptvaru.

1. Šešiakampių veržliarakčių atlaisvinkite varžtus, laikiančius papildomą užtvaramą.
2. Padėkite tiesų tvirtą strypą, pavyzdžiui, kvadratinio plieno elementą, prie kreipiamojo aptvaro.
3. Kai strypas yra prie kreipiamojo aptvaro, uždėkite papildomą užtvaramą taip, kad papildomos užtvaros priekis būtų prie strypo. Tada priveržkite varžtus.

► **Pav.58:** 1. Varžtas 2. Papildoma užtvara 3. Kreipiamasis aptvaras 4. Kietas strypas

NAUDOJIMAS

Šis įrankis skirtas medienos gaminiams pjauti.

Naudojant tinkamus originalius „Makita“ pjūklo diskus, taip pat galima pjauti ir šių medžiagų:

— aliuminio gaminius

Dėl informacijos apie tinkamus diskinio pjūklo diskus, skirtus naudoti pjautinai medžiagai, žr. žiniatinklo svetainę arba kreipkitės į vietinį „Makita“ prekybos atstovą.

▲JSPĖJIMAS: Prieš įjungdami įrankį įsitinkite, kad pjūklo diskas neličia ruošinio ir pan. Įjungus įrankį, kai jo diskas liečia ruošinį, gali įvykti atotrūkimas ir galima sunkiai susižeisti.

▲JSPĖJIMAS: Baigę pjauti neatkelkite pjūklo disko, kol jis visiškai nesustos. Atgėdus besisukantį diską, galima sunkiai susižeisti ir sukandinti ruošinį.

▲JSPĖJIMAS: Kol pjūklo diskas sukasi, neatliki- kite jokių reguliavimo darbų, pvz., nesukite ranke- nos, rankenėlės ir įrankio svirčių. Reguluojant, kol diskas sukasi, galima sunkiai susižaloti.

PASTABA: Prieš naudodami būtinai atfiksaukite fiksavimo smaigą ir atleiskite rankenėlę iš nuleis- tos padėties.

PASTABA: Pjaudami per daug nespauskite ran- kenėlės. Per didelė jėga gali sukelti variklio perkrovą ir (arba) sumažinti pjovimo efektyvumą. Spauskite rankenėlę žemyn tik tokia jėga, kokios reikia sklan- džiai pjauti, ir smarkiai nedidinkite disko sukimosi greičio.

PASTABA: Norėdami atlikti pjūvį, atsargiai nuspauskite rankenėlę žemyn. Jeigu nuspausite rankenėlę jėga arba naudosite šoninę jėgą, diskas pradės vibruoti ir paliks ant ruošinio žymes (pjovimo žymes), todėl pjūvio tikslumas bus prastas.

PASTABA: Atlikdami slenkamą pjūvį atsargiai nesustodami stumkite atramą kreiptuvo link. Jeigu pjaunant atramos judėjimas sustabdomas, ant ruoš- nio liks žymė ir pjūvis bus netikslus.

Pjovimas, naudojant spaudimą

▲JSPĖJIMAS: Kai pjaunate spausdami, užfik- suokite apsaugą, kad ji negalėtų slankioti. Pjaunat be užrakto gali įvykti atotrūkimas, galinti lemti sunkių sužalojimų.

68 mm aukščio ir 160 mm pločio ruošinius galima pjauti tokiu būdu.

► **Pav.59:** 1. Fiksavimo smaigas

1. Spauskite atramą kreipiamojo kreiptuvo link, kol jis sustos, tada jį fiksaukite fiksavimo smaigu.
2. Suspauskite ruošinį tinkamos rūšies spaustuvais.
3. Įjunkite įrankį taip, kad diskinio pjūklo diskas su niekuo nesiliestų ir prieš nuleisdami palaukite, kol jis pradės sukstis visu greičiu.
4. Po to atsargiai iki galo žemyn nuleiskite rankenėlę ir pradėkite pjauti ruošinį.
5. Baigę pjauti, išjunkite įrankį ir, prieš grąžindami diskinio pjūklo diską į viršutinę padėtį, **palaukite, kol jis visiškai nustos sukstis.**

Pjovimas slenkant (stumiant) ruošinį (plačių ruošinių pjovimas)

▲JSPĖJIMAS: Atlikdami pjovimą slenkant, pirmiausia iki galo patraukite suportą savęs link ir nuspauskite rankenėlę į žemiausią padėtį, po to stumkite suportą kreiptuvo link. Niekada nepradė- kite pjauti iki galo nepatraukę suporto savęs link. Jeigu pradėsite pjauti iki galo nepatraukę suporto savęs link, gali įvykti atotrūkimas, kuri gali sąlygoti sunkų susižeidimą.

▲JSPĖJIMAS: Niekada nebandykite atlikti pjūvį slinkdami, traukdami suportą savęs link. Pjovimo metu traukiant suportą savęs link, gali netikėtai įvykti atotrūkimas, kuri gali sąlygoti sunkų susižeidimą.

▲JSPĖJIMAS: Niekada nepjaukite slinkdami, jeigu rankenėlė užfiksuota žemiausioje padėtyje.

► **Pav.60:** 1. Fiksavimo smaigas

1. Atlaisvinkite fiksavimo smaigą, kad galėtumėte lengvai slinkti atramą.
2. Suspauskite ruošinį tinkamos rūšies spaustuvais.
3. Iki galo savęs link patraukite suportą.
4. Įjunkite įrankį (pjūklo diskas neturi liesti ruošinio) ir palaukite, kol jis pradės sukstis visu greičiu.
5. Nuspauskite rankenėlę ir stumkite suportą kreip- tuvo link ir pjaukite ruošinį.
6. Baigę pjauti, išjunkite įrankį ir, prieš grąžindami pjūklo diską į viršutinę padėtį, **palaukite, kol jis visi- kai nustos sukstis.**

Įžambus pjovimas

Žr. skyrių „Įžambaus kampo nustatymas“.

Istrižųjų pjūvių darymas

▲JSPĖJIMAS: Nustatę diską įstrižajam pjūviui, prieš naudodami įrankį visada patikrinkite, ar atrama ir pjūklo diskas nevaržomai juda visose pjūvio ribose. Jeigu pjaunant atramos arba disko judėjimas bus sutrikdytas, gali įvykti atatranka, galinti sukelti sunkių sužalojimų.

▲JSPĖJIMAS: Atlikdami įstrižuosius pjūvius, laikykite rankas atokiai nuo pjūklo disko judėjimo kelio. Diskas gali judėti kitokiai nei įprasta kampu ir supainioti operatorių, o prisilietus prie pjovimo disko, galima sunkiai susižeisti.

▲JSPĖJIMAS: Pjūklo disko negalima atkelti tol, kol jis visiškai nesustos. Atliekant įstrižąjį pjūvį, nupjautoji ruošinio dalis gali atsiremti į pjūklo diską. Jeigu diskas pakeliamas, kai dar sukasi, jis gali sviesti nupjautą dalį ir suskaldyti medžiagą į atplaišas, kurios gali sunkiai sužeisti.

PASTABA: Nuspausdami rankenėlę žemyn, kartu spauskite ir pjūklo diską. Jeigu jėga naudojama statmenai sukiojamam pagrindui arba jeigu spaudimo kryptis pjaunant pasikeičia, pjūvis bus netikslus.

► Pav.61

1. Nuimkite viršutinį aptvarą toje pusėje, kur ketinate pakreipti atramą.
2. Atfiksukite fiksavimo smaigą.
3. Sureguliuokite įstrižąjį kampą, laikydamiesi skyriuje įstrižojo kampo reguliavimas paaiškintos procedūros. Tada užveržkite rankenėlę.
4. Suspauskite ruošinį spautuvais.
5. Iki galo savęs link patraukite suportą.
6. Įjunkite įrankį (pjovimo diskas neturi liesti ruošinio) ir palaukite, kol jis pradės sukintis visu greičiu.
7. Atsargiai nuleiskite rankenėlę į žemiausią padėtį, tuo pačiu metu lygiagrečiai spausdami pjovimo diską ir norėdami pradėti pjauti ruošinį, stumkite suportą kreiptuvo link.
8. Baigę pjauti, išjunkite įrankį ir, prieš grąžindami diską į viršutinę padėtį, palaukite, kol jis visiškai nustos sukintis.

Kombinuotasis pjovimas

Kombinuotasis pjovimas – tai procesas, kai ruošinys tuo pačiu metu pjaunamas įstrižu ir įžambiu kampais. Kombinuotąjį pjovimą galima atlikti lentelėje nurodytais kampais.

Nuožulnus kampas	Įstrižasis kampas
Kairėje ir dešinėje 0° – 45° kampas	Kairėje ir dešinėje 0° – 45° kampas

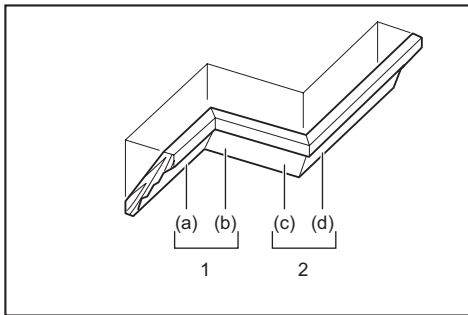
Atlikdami kombinuotąjį pjovimą, žr. paaiškinimus skyriuose „Pjovimas, naudojant spaudimą“, „Pjovimas slenkant (stumiant)“, „Įžambus pjovimas“ ir „Istrižųjų pjūvių darymas“.

Dekoratyviųjų ir skliautinių karnizų pjovimas

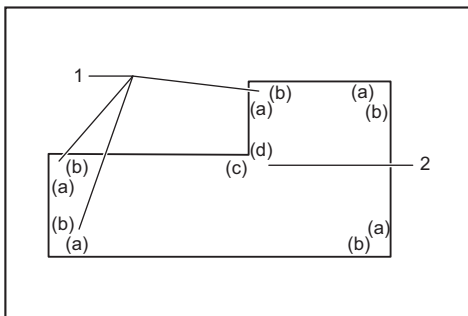
Dekoratyvinius ir skliautinius lubų karnizus galima išpjauti kombinuotu skersavimo ir kampų suleidimo pjūklų, padėjus karnizus ant sukiojamo pagrindo. Paprastai naudojami dviejų tipų dekoratyviniai karnizai ir vieno tipo skliautiniai karnizai: 52/38° kampų tarp sienos ir lubų dekoratyviniai karnizai, 45° kampo tarp sienos ir lubų karnizai bei 45° kampo tarp sienos ir lubų skliautiniai karnizai.

► **Pav.62:** 1. 52/38° tipo dekoratyviniai karnizai 2. 45° tipo dekoratyviniai karnizai 3. 45° tipo skliautiniai karnizai

Gali būti naudojami dekoratyvinių ir skliautinių karnizų jungtys, kurios pagamintos taip, kad tilptų „vidiniuose“ 90° kampuose ((a) ir (b) paveikslėliuose) ir „išoriniuose“ 90° kampuose ((c) ir (d) paveikslėliuose).



1. Vidinis kampas 2. Išorinis kampas



1. Vidinis kampas 2. Išorinis kampas

Matavimai

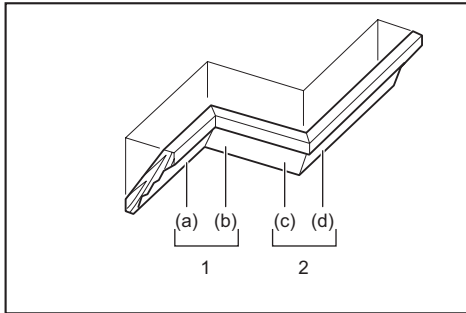
Išmatuokite sienelės plotį, tuomet pagal jį pakoreguokite ruošinio plotį. Visada įsitikinkite, ar ruošinio sienelės sąlyčio krašto plotis sutampa su sienelės ilgiu.

► **Pav.63:** 1. Ruošinys 2. Sienelės plotis 3. Ruošinio plotis 4. Sienelės sąlyčio kraštas

Pradžioje visuomet atlikite kelis bandomuosius pjūvius ant atliekamų ruošinių, kad nustatytumėte pjovimo kampus.

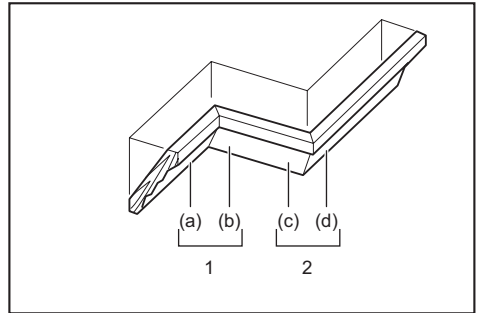
Pjaudami dekoratyvinius ir skliautinius lubų karnizus, nustatykite įstrižus ir nuožambius kampus, kaip nurodyta lentelėje (A), ir dėkite karnizus ant pjūklo pagrindo, kaip nurodyta lentelėje (B).

Kairysis įstrižas pjūvis



1. Vidinis kampas 2. Išorinis kampas

Jei atliekamas dešinysis įstrižasis pjūvis



1. Vidinis kampas 2. Išorinis kampas

Lentelė (A)

–	Karnizo padėtis paveikslėlyje	Įstrižasis kampas		Nuožulnus kampas	
		52/38° tipas	45° tipas	52/38° tipas	45° tipas
Vidiniam kampui	(a)	Kairėje 33,9°	Kairėje 30°	Dešinėje 31,6°	Dešinėje 35,3°
	(b)			Kairėje 31,6°	Kairėje 35,3°
Išoriniam kampui	(c)			Dešinėje 31,6°	Dešinėje 35,3°
	(d)			Dešinėje 31,6°	Dešinėje 35,3°

Lentelė (A)

–	Karnizo padėtis paveikslėlyje	Įstrižasis kampas		Nuožulnus kampas	
		52/38° tipas	45° tipas	52/38° tipas	45° tipas
Vidiniam kampui	(a)	Dešinėje 33,9°	Dešinėje 30°	Dešinėje 31,6°	Dešinėje 35,3°
	(b)			Kairėje 31,6°	Kairėje 35,3°
Išoriniam kampui	(c)			Dešinėje 31,6°	Dešinėje 35,3°
	(d)			Dešinėje 31,6°	Dešinėje 35,3°

Lentelė (B)

–	Karnizo padėtis paveikslėlyje	Karnizo kampas pagal kreiptuvo aptvarą	Užbaigta dalis
Vidiniam kampui	(a)	Lubų sąlyčio kraštas turėtų būti priešais kreiptuvo aptvarą.	Užbaigta dalis bus kairėje disko pusėje.
	(b)	Sienos sąlyčio kraštas turėtų būti priešais kreiptuvo aptvarą.	
Išoriniam kampui	(c)	Lubų sąlyčio kraštas turėtų būti priešais kreiptuvo aptvarą.	Užbaigta dalis bus dešinėje disko pusėje.
	(d)	Lubų sąlyčio kraštas turėtų būti priešais kreiptuvo aptvarą.	

Lentelė (B)

–	Karnizo padėtis paveikslėlyje	Karnizo kampas pagal kreiptuvo aptvarą	Užbaigta dalis
Vidiniam kampui	(a)	Sienos sąlyčio kraštas turėtų būti priešais kreiptuvo aptvarą.	Baigta dalis bus dešinėje disko pusėje.
	(b)	Lubų sąlyčio kraštas turėtų būti priešais kreiptuvo aptvarą.	
Išoriniam kampui	(c)	Lubų sąlyčio kraštas turėtų būti priešais kreiptuvo aptvarą.	Baigta dalis bus kairėje disko pusėje.
	(d)	Sienos sąlyčio kraštas turėtų būti priešais kreiptuvo aptvarą.	

Pavyzdys:

Atlikdami 52/38° tipo dekoratyvinio karnizo pjūvį pagal padėtį (a) paveikslėlyje, pateiktame pirmiau:

- Pakreipkite ir užtvirtinkite įstrižo kampo nustatymą ties 33,9° KAIRIUOJU kampu.
- Nustatykite ir užtvirtinkite nuožambaus kampo nustatymą ties 31,6° DEŠINIUOJU kampu.
- Dėkite dekoratyvinį karnizą jo lentos galinės pusės (paslėptu) paviršiumi ant sukiojamo pagrindo, jo LUBAS LIEČIANTĮ KRAŠTĄ atrėmę į pjūklo kreiptuvą.
- Atlikus pjūvį, užbaigta naudojama dalis visuomet bus KAIREJE disko pusėje.

Pavyzdys:

Atlikdami 52/38° tipo dekoratyvinio karnizo pjūvį pagal padėtį (a) paveikslėlyje, pateiktame pirmiau:

- Pakreipkite ir užtvirtinkite įstrižo kampo nustatymą ties 33,9° DEŠINIUOJU kampu.
- Nustatykite ir užtvirtinkite nuožambaus kampo nustatymą ties 31,6° DEŠINIUOJU kampu.
- Dėkite dekoratyvinį karnizą jo lentos galinės pusės (paslėptu) paviršiumi ant sukiojamo pagrindo, jo SIENĄ LIEČIANTĮ KRAŠTĄ atrėmę į pjūklo kreiptuvą.
- Atlikus pjūvį, baigta ir naudoti skirta dalis visada bus DEŠINĖJE disko pusėje.

Lubų apdailos juostų fiksatorius

Pasirenkamas priedas

Lubų apdailos juostoms pjauti skirti fiksatoriai leidžia jas lengviau išpjauti nepakreipiant pjūklo disko. Sumontuokite juos ant sukiojamo pagrindo, kaip parodyta paveikslėliuose.

45° dešiniojo įžambioju kampu

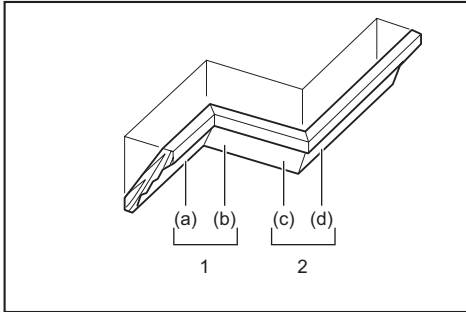
- **Pav.64:** 1. Lubų apdailos juostų fiksatorius „L“
2. Lubų apdailos juostų fiksatorius „R“
3. Sukiojamas pagrindas 4. Kreipiamasis aptvaras

45° kairiojo įžambioju kampu

- **Pav.65:** 1. Lubų apdailos juostų fiksatorius „L“
2. Lubų apdailos juostų fiksatorius „R“
3. Sukiojamas pagrindas 4. Kreipiamasis aptvaras

Lubų apdailos juostą dėkite SIENĄ LIEČIANTĮ KRAŠTĄ atrėmę į kreipiamąjį aptvarą, o LUBAS LIEČIANTĮ KRAŠTĄ atrėmę į lubų apdailos juostoms pjauti skirtus fiksatorius, kaip parodyta paveikslėlyje. Pareguliuokite lubų apdailos juostoms pjauti skirtus fiksatorius pagal apdailos juostos dydį. Užveržkite varžtus, kad užfiksuotumėte lubų apdailos juostų pjovimo fiksatorius. Kaip nustatyti įžambųjį kampą, žr. lentelę (C).

- **Pav.66:** 1. Kreipiamasis aptvaras 2. Lubų apdailos juostų fiksatorius



1. Vidinis kampas 2. Išorinis kampas

Lentelė (C)

–	Juostos padėtis paveikslėlyje	Įžambusis kampas	Baigta dalis
Vidiniams kampui	(a)	Dešinėje 45°	Saugokite disko dešiniąją pusę
	(b)	Kairėje 45°	Saugokite disko kairiąją pusę
Išoriniams kampui	(c)		Saugokite disko dešiniąją pusę
	(d)	Dešinėje 45°	Saugokite disko kairiąją pusę

Forminių aliuminio ruošinių pjovimas

- **Pav.67:** 1. Spaustuvas 2. Skėtiklis 3. Kreipiamasis aptvaras 4. Aliuminio ruošinys 5. Skėtiklis

Forminiams aliuminio ruošiniams pritvirtinti naudokite atramines trinkeles arba metalo gabalėlius, kaip parodyta piešinyje, kad aliuminis nesideformuotų. Pjaudami forminius aliuminio ruošinius, naudokite pjovimo tepalą, kad prie diskinio pjūklo disko nepriplytų aliuminio dailelių.

▲JSPĖJIMAS: Niekada nebandykite pjauti storų arba apvalių aliuminio profilių. Storus arba apvalius aliuminio profilius gali būti sunku įtvirtinti, todėl pjau-nant jie gali atsilaisvinti, tada kiltų pavojus nesuvaldyti įrankio ir sunkiai susižeisti.

Griovelio išpjovimas

▲JSPĖJIMAS: Nebandykite atlikti šio tipo pjūvių, naudodami platesnius arba frezavimo diskus. Bandant išpjauti griovelį platesniu disku arba frezavimo disku, gali įvykti netikėta atatranka, kuri gali sąlygoti sunkų sužeidimą.

▲JSPĖJIMAS: Atlikdami kitus nei griovelių išpjovimo pjūvius, būtinai sugrąžinkite fiksavimo svirtį į pradinę padėtį. Bandant atlikti pjūvius, kai fiksavimo svirtis yra netinkamoje padėtyje, pjūviai gali būti netikslūs ir gali įvykti netikėta atatranka, sąlygojanti sunkų sužeidimą.

Atlikdami panelio tipą, elkitės taip:

1. reguliavimo varžtu ir fiksavimo rankena nustatykite apatinę diskinio pjūklo disko ribą, kad apribotumėte diskinio pjūklo disko pjovimo gylį. Žr. skyrių apie fiksavimo rankeną.

2. Nustatę apatinę ribinę diskinio pjūklo disko padėtį, slinkdami (stumdami) pjaukite lygiagrečius griovelius skersai per visą ruošinio plotį.

- **Pav.68:** 1. Griovelio pjovimas disku

3. Kaltuku išvalykite grioveluose likusią medieną.

Įrankio nešimas

Prieš nešdami įrankį, būtinai išimkite akumulatoriaus kasetę ir fiksukite visas įžambiai pjaunančio pjūklo judamąsias dalis. Visada patikrinkite, ar:

- akumulatoriaus kasetė išimta.
- Atrama yra nustatyta į 0° įžambiojo kampo padėtį ir fiksuojama.
- Atrama yra nuleista ir fiksuojama.
- Atrama yra visiškai nustumta kreipiamųjų aptvarų link ir užfiksuota.
- Sukiojamas pagrindas yra nustatytas į visišką dešiniojo įžambiojo kampo padėtį ir fiksuojamas.
- Laikikliai yra laikomi ir fiksuojami.

Įrankį neškite laikydami iš abiejų pusių už pagrindo.

- **Pav.69**

▲JSPĖJIMAS: Atramai pakelti naudojamas fiksavimo smaigas yra skirtas tik įrankiui nešti ir apsaugoti, juo negalima pjauti. Naudojant fik-savimo smaigą pjovimo darbams, pjūklo diskas gali netikėtai pajudėti, sukelti atatranką ir sunkiai sužeisti.

▲PERSPĖJIMAS: Prieš nešdami įrankį, būtinai užtvirtinkite visas judamasias dalis. Jeigu nešant įrankį kuri nors jo dalis pajudės arba pasislinks, galima netekti pusiausvyros arba nesuvaldyti įrankio ir susižeisti.

▲PERSPĖJIMAS: Įsitinkinkite, kad atramos pakėlimas būtų tinkamai užfiksuotas apačioje fiksavimo smaigu. Jei fiksavimo smaigas netinkamai užfiksuotas, atrama gali staiga atsokti ir jus sužaloti.

BELAIÐŽIO AKTYVINIMO FUNKCIJA

Ką galima padaryti su belaidžio aktyvinimo funkcija?

Belaidžio aktyvinimo funkcija leidžia dirbti švariai ir patogiai. Pridėtą vakuuminį valymo įrenginį prijungę prie įrankio, galite automatiškai jį paleisti jungdami įrankį.

► **Pav.70**

Norėdami naudoti belaidžio aktyvinimo funkciją, pasiruškite šiuos daiktus:

- belaidį bloką (papildomas priedas);
- vakuuminį valymo įrenginį, kuris palaiko belaidžio aktyvinimo funkciją.

Toliau pateikiama belaidžio aktyvinimo funkcijos nustatymo apžvalga. Kiekvienoje dalyje rasite detalias procedūras.

1. Belaidžio bloko įdėjimas
2. Įrankio nustatymas vakuuiniame valymo įrenginyje
3. Belaidžio aktyvinimo funkcijos paleidimas

Belaidžio bloko įdėjimas

Pasirenkamas priedas

▲PERSPĖJIMAS: Įdėdami belaidį bloką, padėkite įrankį ant stabilaus plokščio paviršiaus.

PASTABA: Prieš įdėdami belaidį bloką, nuo įrankio nuvalykite dulkes ir purvą. Patekusios į belaidžio bloko angą, dulės arba purvas gali sukelti gedimą.

PASTABA: Norėdami išvengti gedimo, kurį gali sukelti statinis elektros krūvis, prieš paimdami belaidį bloką palieskite medžiagą, per kurią išeina statinis elektros krūvis, pavyzdžiui, metalinę įrankio dalį.

PASTABA: Įdėdami belaidį bloką, visada įsitinkinkite, kad dedate reikiama kryptimi ir kad dangtelis iki galo uždarytas.

1. Atidarykite įrankio dangtelį, kaip parodyta paveikslėlyje.

► **Pav.71:** 1. Dangtelis

2. Įdėkite belaidį bloką į angą ir uždarykite dangtelį.

Įdėdami belaidį bloką, iškyšas sulygiuokite su angos išėmomis.

► **Pav.72:** 1. Belaidis blokas 2. Iškyša 3. Dangtelis 4. Išėma

Norėdami išimti belaidį bloką, lėtai atidarykite dangtelį. Traukiant dangtelį, jo galinėje pusėje esantys kabliukai iškels belaidį bloką.

► **Pav.73:** 1. Belaidis blokas 2. Kabliukas 3. Dangtelis

Išėmę belaidį bloką laikykite pridėtame dėkle arba nuo statinio krūvio apsaugotoje taroje.

PASTABA: Išimdami belaidį bloką visada naudokitės galinėje dangtelio pusėje esančiais kabliukais. Jei kabliukai nepagauna belaidžio bloko, iki galo uždarykite dangtelį ir vėl lėtai jį atidarykite.

Įrankio nustatymas vakuuiniame valymo įrenginyje

PASTABA: Įrankiui nustatyti reikalingas „Makita“ vakuuminis valymo įrenginys, palaikantis belaidžio aktyvinimo funkciją.

PASTABA: Prieš pradėdami nustatyti įrankį, įdėkite į jį belaidį bloką.

PASTABA: Nustatydami prietaisą venkite šių jungiklių aktyvavimo:

- gaiduko naudojamo prietaisui įjungti;
- vakuuminio valymo įrenginio jungiklio, esančio ant prietaiso;
- maitinimo jungiklio, esančio ant vakuuminio valymo įrenginio.

PASTABA: Taip pat žr. vakuuminio valymo įrenginio naudojimo instrukciją.

Jei norite aktyvinti vakuuminį valymo įrenginį įrankio jungikliu, prieš tai nustatykite įrankį.

1. Įdėkite akumuliatorių į vakuuminį valymo įrenginį ir įrankį.

2. Vakuuminio valymo įrenginio parengties jungiklį nustatykite ties „AUTO“.

► **Pav.74:** 1. Parengties jungiklis

3. 3 sekundes spauskite belaidžio aktyvinimo mygtuką ant vakuuminio valymo įrenginio, kol belaidžio aktyvinimo lemputė ims mirksėti žaliai. Tada tokiu pat būdu paspauskite belaidžio aktyvinimo mygtuką ant įrankio.

► **Pav.75:** 1. Belaidžio aktyvinimo mygtukas

2. Belaidžio aktyvinimo lemputė

Jei vakuuminis valymo įrenginys ir įrankis sėkmingai susieti, belaidžio aktyvinimo lemputės 2 sekundes švies žaliai ir ims mirksėti mėlynai.

PASTABA: Belaidžio aktyvinimo lemputės nustoja mirksėti žaliai po 20 sekundžių. Kai mirksi valymo įrenginio belaidžio aktyvinimo lemputė, paspauskite belaidžio aktyvinimo mygtuką ant įrankio. Jei belaidžio aktyvinimo lemputė nemirksi žaliai, trumpai paspauskite belaidžio aktyvinimo mygtuką ir vėl palaikykite jį nuspaudę.

PASTABA: Jei norite nustatyti du ar daugiau įrankių viename vakuuiniame valymo įrenginyje, nustatykite juos po viena.

Belaidžio aktyvinimo funkcijos paleidimas

PASTABA: Prieš belaidį aktyvinimą nustatykite įrankį vakuuminiam valymo įrenginyje.

PASTABA: Taip pat žr. vakuuminio valymo įrenginio naudojimo instrukciją.

Užregistravus įrankį vakuuminiam valymo įrenginyje, jis automatiškai įsijungs įjungus įrankį. Norėdami naudoti vakuuminį valymo įrenginį, patraukite gaiduką. Vakuuminis valymo įrenginys taip pat pradeda veikti paspaudus vakuuminio valymo įrenginio mygtuką, esantį ant prietaiso bet kokio pjovimo metu.

► **Pav.76**

1. Įdėkite belaidį bloką į įrankį.

2. Sujunkite vakuuminio valymo įrenginio žarną su įrankiu.

► **Pav.77**

3. Vakuuminio valymo įrenginio parengties jungiklį nustatykite ties „AUTO“.

► **Pav.78:** 1. Parengties jungiklis

4. Trumpai paspauskite belaidžio aktyvinimo mygtuką ant įrankio. Belaidžio aktyvinimo lemputė mirksės mėlyna.

► **Pav.79:** 1. Belaidžio aktyvinimo mygtukas
2. Belaidžio aktyvinimo lemputė

5. Patraukite įrankio gaiduką. Patikrinkite, ar patraukus gaiduką vakuuminis valymo įrenginys veikia.

6. Paspauskite vakuuminio valymo įrenginio mygtuką įrenginiui įjungti. Patikrinkite, ar belaidžio ryšio įjungimo lemputė šviečia mėlyna, o vakuuminio valymo įrenginys veikia tol, kol dar kartą paspausite mygtuką.

7. Nutraukite dulkių siurbimą atleisdami gaiduką arba dar kartą paspausdami vakuuminio valymo įrenginio mygtuką. Dulkių siurblys nustoja veikti praėjus keletui sekundžių po jungiklio paspaudimo, tada lemputė pradeda mirksėti mėlyna.

PASTABA: Jungiklio būseną (vakuuminio valymo įrenginio įjungimą / išjungimą) galima sužinoti pagal belaidžio ryšio įjungimo lemputę. Norėdami gauti daugiau informacijos, skaitykite skyrių, kuriame aprašyta belaidžio ryšio įjungimo lemputės būseną.

8. Norėdami sustabdyti belaidį vakuuminio valymo įrenginio aktyvinimą, paspauskite belaidžio aktyvinimo mygtuką ant įrankio.

PASTABA: Nenaudojant 2 valandas, belaidžio aktyvinimo lemputė ant įrankio nustos mirksėti mėlyna. Šiuo atveju parengties jungiklį ant vakuuminio valymo įrenginio nustatykite ties „AUTO“ ir vėl paspauskite belaidžio aktyvinimo mygtuką ant įrankio.

PASTABA: Vakuuminis valymo įrenginys ima veikti ir sustoja šiek tiek uždelęs. Praeina šiek tiek laiko, kol vakuuminis valymo įrenginys nustato, kad buvo panaudotas įrankio jungiklis.










PASTABA: Belaidžio bloko perdavimo atstumas gali skirtis priklausomai nuo vietos ir aplinkybių.

PASTABA: Kai du arba daugiau prietaisų yra užregistruoti viename vakuuminiam valymo įrenginyje, vakuuminis valymo įrenginys gali pradėti veikti net jei nepatraukėte gaiduko todėl, kad kitas vartotojas naudoja belaidžio aktyvavimo funkciją.

Belaidžio aktyvinimo lemputės būsenos aprašymas

► **Pav.80:** 1. Belaidžio aktyvinimo lemputė

Belaidžio aktyvinimo lemputė rodo belaidžio aktyvinimo funkcijos būseną. Lemputės būsenos reikšmės pateiktos tolesnėje lentelėje.

Būsena	Belaidžio aktyvinimo lemputė			Aprašymas	
	Spalva	 Šviečia	 Mirksi		Trukmė
Parengtis	Mėlyna			2 valandos	Galimas belaidis vakuuminio valymo įrenginio aktyvinimas. Nenaudojant 2 valandas lemputė automatiškai užges.
				Kai įrankis yra naudojamas.	Galimas belaidis vakuuminio valymo įrenginio aktyvinimas ir įrankis yra naudojamas.
Įrankio nustatymas	Žalia			20 sekundžių	Pasirengęs nustatyti įrankį. Laukiama, kol įrankis bus nustatytas vakuuminiam valymo įrenginyje.
				2 sekundės	Įrankis nustatytas. Belaidžio aktyvinimo lemputė ims mirksėti mėlyna.
Įrankio nustatymo atšaukimas	Raudona			20 sekundžių	Pasiruošęs atšaukti įrankio nustatymą. Laukiama, kol įrankio nustatymas bus atšauktas vakuuminiam valymo įrenginyje.
				2 sekundės	Įrankio nustatymas atšauktas. Belaidžio aktyvinimo lemputė ims mirksėti mėlyna.
Kita	Raudona			3 sekundės	Belaidis blokas yra maitinamas ir ima veikti belaidžio aktyvinimo funkcija.
	Nešviečia	-		-	Belaidis vakuuminio valymo įrenginio aktyvinimas sustabdytas.

Įrankio nustatymo vakuuiniame valymo įrenginyje atšaukimas

Norėdami atšaukti įrankio nustatymą vakuuiniame valymo įrenginyje, atlikite šią procedūrą.

1. Įdėkite akumuliatorius į vakuuminį valymo įrenginį ir įrankį.

2. Vakuuminio valymo įrenginio parngties jungiklį nustatykite ties „AUTO“.

► **Pav.81:** 1. Parngties jungiklis

3. 6 sekundes spauskite belaidžio aktyvinimo mygtuką ant vakuuminio valymo įrenginio. Belaidžio aktyvinimo lemputė mirksi žaliai ir tampa raudona. Paskui tokiu pat būdu paspauskite belaidžio aktyvinimo mygtuką ant įrankio.

► **Pav.82:** 1. Belaidžio aktyvinimo mygtukas
2. Belaidžio aktyvinimo lemputė

Jei atšaukti pavyko, belaidžio aktyvinimo lemputės 2 sekundes švies raudonai ir ims mirksėti mėlynai.

PASTABA: Belaidžio aktyvinimo lemputės nustoja mirksėti raudonai po 20 sekundžių. Kai mirksi valymo įrenginio belaidžio aktyvinimo lemputė, paspauskite belaidžio aktyvinimo mygtuką ant įrankio. Jei belaidžio aktyvinimo lemputė nemirksi raudonai, trumpai paspauskite belaidžio aktyvinimo mygtuką ir vėl palaikykite jį nuspaudę.

Belaidžio aktyvinimo funkcijos trikčių šalinimas

Prieš kreipdamiesi dėl remonto darbų, pirmiausia patikrinkite gedimus patys. Kilus problemų, apie kurias nepaaiškinta vartotojo vadove, nemėginkite ardyti įrankio. Kreipkitės į įgaliotuosius „Makita“ techninės priežiūros centrus, kuriuose remontui visuomet naudojamos originalios „Makita“ keičiamosios dalys.

Neįprasta būklė	Tikėtina priežastis (triktis)	Ištaisomoji priemonė
Belaidžio aktyvinimo lemputė nešviečia arba nemirksi.	Belaidis blokas neįdėtas į įrankį. Belaidis blokas netinkamai įdėtas į įrankį.	Taisyklingai įdėkite belaidį bloką.
	Belaidžio bloko kontaktas ir (arba) anga yra purvini.	Švelniai nuvalykite dulkes ir purvą nuo belaidžio bloko kontakto ir išvalykite angą.
	Belaidžio aktyvinimo mygtukas ant įrankio nebuvo paspaustas.	Trumpai paspauskite belaidžio aktyvinimo mygtuką ant įrankio.
	Vakuuminio valymo įrenginio parengties jungiklis nenustatytas ties „AUTO“.	Vakuuminio valymo įrenginio parengties jungiklį nustatykite ties „AUTO“.
	Nėra maitinimo	Prijunkite įrankio ir vakuuminio valymo įrenginio maitinimą.
Nepavyksta nustatyti įrankio / atšaukti jo nustatymo.	Belaidis blokas neįdėtas į įrankį. Belaidis blokas netinkamai įdėtas į įrankį.	Taisyklingai įdėkite belaidį bloką.
	Belaidžio bloko kontaktas ir (arba) anga yra purvini.	Švelniai nuvalykite dulkes ir purvą nuo belaidžio bloko kontakto ir išvalykite angą.
	Vakuuminio valymo įrenginio parengties jungiklis nenustatytas ties „AUTO“.	Vakuuminio valymo įrenginio parengties jungiklį nustatykite ties „AUTO“.
	Nėra maitinimo	Prijunkite įrankio ir vakuuminio valymo įrenginio maitinimą.
	Netinkamai atlikta procedūra	Trumpai paspauskite belaidžio aktyvinimo mygtuką ir iš naujo atlikite įrankio nustatymą / atšaukimo procedūras.
	Įrankis ir vakuuminis valymo įrenginys yra toli vienas nuo kito (už perdavimo diapazono ribų).	Padėkite įrankį ir vakuuminį valymo įrenginį arčiau vienas kito. Didžiausias perdavimo atstumas yra maždaug 10 m, bet jis gali skirtis pagal aplinkybes.
	Prieš baigiant įrankio registraciją / atšaukimą; - patraukiamas prietaiso gaidukas arba; - įjungiamas prietaiso vakuuminio valymo mygtukas arba; - įjungiamas vakuuminio valymo įrenginio maitinimo mygtukas.	Trumpai paspauskite belaidžio aktyvinimo mygtuką ir iš naujo atlikite įrankio nustatymo / atšaukimo procedūras.
	Neatliktos įrankio nustatymo procedūros įrankyje arba vakuuminiame valymo įrenginyje.	Tuo pačiu metu atlikite įrankio nustatymo procedūras įrankyje ir vakuuminiame valymo įrenginyje.
	Kitų prietaisų, generuojančių didelio intensyvumo radio bangas, keliama radio bangų trikdžiai.	Patraukite įrankį ir vakuuminį valymo įrenginį toliau nuo tokių prietaisų kaip belaidžio ryšio įrenginiai ir mikrobangų krosnelės.
	Vakuuminis valymo įrenginys neveikia įjungus įrankio jungiklį.	Belaidis blokas neįdėtas į įrankį. Belaidis blokas netinkamai įdėtas į įrankį.
Belaidžio bloko kontaktas ir (arba) anga yra purvini.		Švelniai nuvalykite dulkes ir purvą nuo belaidžio bloko kontakto ir išvalykite angą.
Belaidžio aktyvinimo mygtukas ant įrankio nebuvo paspaustas.		Trumpai paspauskite belaidžio aktyvinimo mygtuką ir patikrinkite, ar belaidžio aktyvinimo lemputė mirksi mėlynai.
Vakuuminio valymo įrenginio parengties jungiklis nenustatytas ties „AUTO“.		Vakuuminio valymo įrenginio parengties jungiklį nustatykite ties „AUTO“.
Vakuuminiame valymo įrenginyje yra nustatyta daugiau kaip 10 įrankių.		Iš naujo nustatykite įrankį. Jei vakuuminiame valymo įrenginyje nustatyta daugiau kaip 10 įrankių, anksčiausiai nustatytas įrankis bus automatiškai atšauktas.
Vakuuminiame valymo įrenginyje nepavyko sėkmingai užregistruoti prietaisų.		Atnaujinti prietaiso registraciją.
Vakuuminis valymo įrenginys ištrynė visus įrankių nustatymus.		Iš naujo nustatykite įrankį.
Nėra maitinimo		Prijunkite įrankio ir vakuuminio valymo įrenginio maitinimą.
Įrankis ir vakuuminis valymo įrenginys yra toli vienas nuo kito (už perdavimo diapazono ribų).		Padėkite įrankį ir vakuuminį valymo įrenginį arčiau vienas kito. Didžiausias perdavimo atstumas yra maždaug 10 m, bet jis gali skirtis pagal aplinkybes.
Kitų prietaisų, generuojančių didelio intensyvumo radio bangas, keliama radio bangų trikdžiai.		Patraukite įrankį ir vakuuminį valymo įrenginį toliau nuo tokių prietaisų kaip belaidžio ryšio įrenginiai ir mikrobangų krosnelės.
Vakuuminio valymo įrenginys veikia, nors jokie įrankio jungikliai nėra įjungti.	Kiti naudotojai naudoja belaidį vakuuminio valymo įrenginio aktyvinimą su savo įrankiais.	Išjunkite kitų įrankių belaidžio aktyvinimo mygtuką arba atšaukite kitų įrankių nustatymą.

TECHNINĖ PRIEŽIŪRA

▲JSPĖJIMAS: Visuomet įsitikinkite, kad įrankis yra išjungtas ir akumulatoriaus kasėtė yra nuimta, prieš atlikdami apžiūrą ir priežiūrą. Neišėmus akumulatoriaus kasėtės ir neišjungus įrankio, galima sunkiai susižeisti, jei įrankis atsitiktinai įsijungtų.

▲JSPĖJIMAS: Siekdami geriausių rezultatų ir saugiausio darbo, visuomet įsitikinkite, ar diskinio pjūklo diskas yra aštrus ir švarus. Bandant pjauti atbukusiu ir (arba) nešvarių diskų, gali įvykti atatranka, sąlygojanti sunkų sužeidimą.

▲PERSPĖJIMAS: Prieš pradėdami įrankio tikrinimo arba techninės priežiūros darbus, visada įsitikinkite, kad disko apsaugas uždarytas pradinėje padėtyje. Jokiu būdu neužfiksuokite ir nepirriškite disko apsaugo atidarytoje padėtyje, atlikdami valymo darbus. Naudojant atvirą diską, galima susižaloti.

PASTABA: Niekada nenaudokite gazolino, benzino, tirpiklio, spirito arba panašių medžiagų. Gali atsirasti išblukimų, deformacijų arba įtrūkimų.

Kad gaminyt būtų SAUGUS ir PATIKIMAS, jį taisyti, apžiūrėti ar vykdyti bet kokią kitą priežiūrą ar derinimą turi įgaliotasis kompanijos „Makita“ techninės priežiūros centras; reikia naudoti tik kompanijos „Makita“ pagamintą atsarginę dalis.

Pjovimo kampo nustatymas

Šis įrankis gamykloje buvo kruopščiai nustatytas ir sulygiuotas, tačiau jo neprižiūrint, sulygiavimas gali išsireguliuoti. Jeigu įrankis sulygiuotas netinkamai, atlikite tokius veiksmus:

Nuožulnus kampas

Visiškai nuleiskite rankeną ir fiksavimo smaigu užfiksuokite ją nuleistoje padėtyje. Stumkite atramą link kreipiamojo aptvaro.

Pasukite rankeną prieš laikrodžio rodyklę ir naudodami fiksavimo svirtelę paruoškite pagrindą tikslaus kampo fiksavimo funkcijai.

Tada atlaisvinkite varžtus, kuriais fiksuojama rodyklė ir įžambiojo kampo skalė.

► **Pav.83:** 1. Rankena 2. Fiksavimo svirtelė 3. Varžtas ant rodyklės 4. Varžtai įžambiojo kampo skalėje 5. Įžambiojo kampo skalė

Naudodami tikslaus kampo fiksavimo funkciją, sukiojamą pagrindą nustatykite jį 0° padėtyje. Trikampė linuotė ar kampiniu nustatykite statų kampą diskinio pjūklo disko šono ir kreipiamojo aptvaro paviršiaus atžvilgiu. Išlaikydami statų kampą, priveržkite varžtus ant įžambiojo kampo skalės. Tada sulygiuokite rodyklės (dešiniąją ir kairiąją) su 0° padėtimi įžambiojo kampo skalėje ir priveržkite varžtą ant rodyklės.

► **Pav.84:** 1. Trikampė linuotė 2. Rodyklė

Įstrižasis kampas

0° įstrižumo kampas

Spauskite atramą kreipiamųjų aptvarų link, tuomet užblokuokite slankiojamą fiksavimo smaigu. Visiškai nuleiskite atramą ir fiksavimo smaigu užfiksuokite ją žemiausioje padėtyje. Sukite rankenėlę prieš laikrodžio rodyklę ir tuomet pasukite 0° reguliavimo varžtą du arba tris apsisukimus prieš laikrodžio rodyklę tam, kad diskinio pjūklo diskas pasikreiptų į dešinę pusę.

► **Pav.85:** 1. Rankenėlė 2. 0° kampo reguliavimo varžtas 3. Varžtas ant rodyklės

Tiksliai nustatykite diskinio pjūklo disko kraštą ir sukiojamo pagrindo paviršių stačiu kampu, naudodami trikampę linuotę, kampainį ir t.t., pagal laikrodžio rodyklę sukdami 0° kampo reguliavimo varžtą. Tada tvirtai užveržkite rankenėlę ir fiksuokite nustatytą 0° kampą.

► **Pav.86:** 1. Trikampė linuotė 2. Pjūklo diskas 3. Sukiojamo pagrindo viršutinis paviršius

Dar kartą patikrinkite, ar diskinio pjūklo disko šonas yra statmenas sukiojamo pagrindo paviršiui. Atsukite rodyklės varžtą. Sulygiuokite rodyklę su 0° kampo padėtimi įžambiojo kampo skalėje, tada priveržkite varžtą.

45° įstrižumo kampas

PASTABA: Prieš reguliuodami 45° įstrižąjį kampą, pirmiausia nustatykite 0° įstrižąjį kampą.

Atlaisvinkite rankenėlę ir visiškai pakreipkite atramą į norimą patikrinti šoną. Patikrinkite, ar rodyklė rodo 45° kampą įstrižojo kampo skalėje.

► **Pav.87:** 1. Rankenėlė

Jei rodyklė nerodo 45° kampo padėties, sulygiuokite ją su 45° kampo padėtimi, sukdami reguliavimo varžtą įstrižojo kampo skalėje, esančioje priešingoje pagrindo pusėje.

► **Pav.88:** 1. Kairysis 45° kampo reguliavimo varžtas 2. Dešinysis 45° kampo reguliavimo varžtas

Lemputės lęšio valymas

▲PERSPĖJIMAS: Prieš valydami lempučių lęšį, visada išimkite diskinio pjūklo diską.

PASTABA: Neišsukite lęšį tvirtinančio varžto. Jei lęšis nenusiima, varžtą atlaisvinkite dar labiau.

PASTABA: Purvą nuo lempučių sklaidytuvo nuvalykite sausu skudurėliu. Būkite atsargūs, kad nesubraižytumėte lempučių sklaidytuvo, nes pablogės apšvietimas.

PASTABA: Lęšių negalima valyti tirpikliais arba valikliais, pagamintais naftos pagrindu.

LED lempučių tampa sunkiai matoma, jei lempučių sklaidytuvą iššipurvina. Reguliariai valykite lempučių sklaidytuvą.

Ištraukite akumulatoriaus kasėtę. Atlaisvinkite varžtą ir ištraukite lęšį. Drėgna minkšta šluoste švelniai nuvalykite lęšį.

► **Pav.89:** 1. Varžtas 2. Lęšis

Po naudojimo

Pabaigę darbą, skudurėliu nuvalykite prie įrankio prilipusias atplaišas ir dulkes. Atitinkamai pagal anksčiau skyriuje „Pjovimo disko apsauga“ išdėstytus nurodymus, pjovimo disko apsauga turi būti laikoma švariai. Judamas dalis patepkite mašinine alyva, kad jos nerūdytų.

PASIRENKAMI PRIEDAI

⚠️ ĮSPĖJIMAS: Su šiame vartotojo vadove nurodytu „Makita“ įrankiu rekomenduojama naudoti šiuos „Makita“ įtaisus ir priedus. Naudojant bet kokius kitus įtaisus ir priedus, galima sunkiai susižeisti.

⚠️ ĮSPĖJIMAS: „Makita“ įtaisą arba priedą naudokite tik pagal jo numatytąją paskirtį. Naudojant įtaisą arba priedą ne pagal jo numatytąją paskirtį, galima sunkiai susižeisti.

Jeigu norite daugiau sužinoti apie tuos priedus, kreipkitės į artimiausią „Makita“ techninės priežiūros centrą.

- Diskai su karbido galais
- Vertikalus spaustuvas
- Horizontalus spaustuvas
- Lubų apdailos juostų fiksatoriaus nustatymas
- Dulkių surinkimo maišelis
- Trikampė liniuotė
- Šešiakampis veržliaraktis
- Belaidis blokas
- Staklių stovo komplektas
- Pagalbinis pagrindas
- Originalus „Makita“ akumulatorius ir įkroviklis

PASTABA: Kai kurie sąraše esantys priedai gali būti pateikti įrankio pakuotėje kaip standartiniai priedai. Jie įvairiose šalyse gali skirtis.

TEHNILISED ANDMED

Mudel:		LS004G
Tera läbimõõt	Euroopa riigid	260 mm
	Muud kui Euroopa riigid	255 mm – 260 mm
Ava läbimõõt	Euroopa riigid	30 mm
	Muud riigid peale Euroopa riikide (riigispetsiifiline)	15,88 mm / 25,4 mm / 30 mm
Saetera max sisselõike paksus		3,2 mm
Max eerunginurk		Parem 60°, vasak 60°
Max kaldenurk		Parem 48°, vasak 48°
Koormuseta kiirus (RPM)		3 600 min ⁻¹
Mõõtmed (P x L x K)		805 mm x 644 mm x 660 mm
Nimipinge		Alalisvool 36 V – 40 V max
Netokaal		26,6 – 27,2 kg

Lõikejõudlused (K x L)

Eerunginurk	Fassettnurk		
	45° (vasak)	0°	45° (parem)
0°	42 mm x 310 mm 58 mm x 279 mm	68 mm x 310 mm 91 mm x 279 mm	29 mm x 310 mm 43 mm x 279 mm
45° (parem ja vasak)	42 mm x 218 mm 58 mm x 197 mm	68 mm x 218 mm 91 mm x 197 mm	29 mm x 218 mm 43 mm x 197 mm
60° (parem ja vasak)	-	68 mm x 155 mm 91 mm x 139 mm	-

Lõikejõudlused erilõigete korral

Lõikamise tüüp	Lõikejõudlus
45° kaareprofiil (kaareprofiili stopperi kasutamisel)	168 mm
Põrandalist (horisontaalse kinnitusrakise kasutamisel)	133 mm

- Meie pideva uuringu- ja arendusprogrammi tõttu võidakse tehnilisi andmeid muuta ilma sellest ette teatamata.
- Tehnilised andmed võivad riigiti erineda.
- Kaal võib erineda olenevalt lisaseadistest, kaasa arvatud akukassetist. Kergeim ja raskeim kombinatsioon EPTA-protseduuri 01/2014 kohaselt on toodud tabelis.

Sobiv akukassett ja laadija

Akukassett	BL4020 / BL4025 / BL4040* / BL4050F* *: Soovituslik aku
Laadija	DC40RA / DC40RB / DC40RC

- Mõned eespool loetletud akukassetid ja -laadijad ei pruugi olla teie riigis saadaval.

⚠ HOIATUS: Kasutage ainult ülalpool loetletud akukasseid ja laadureid. Muude akukassetide ja laadurite kasutamine võib tekitada vigastusi ja/või tulekahju.

Sümbolid

Alljärgnevalt kirjeldatakse tingimärke, mida võidakse seadmetel kasutada. Enne seadme kasutamist tehke endale selgeks nende tähendus.



Lugege juhendit.



Kandke kaitseprille.



Vältimaks õhku paiskuvast prahist põhjustatud kehavigastust, jätkake pärast löikamist saepea all hoidmist, kuni löiketera on täielikult seiskunud.



Fassetilöikamisel keerake esmalt nuppu vastupäeva ja seejärel kallutage kelku. Seejärel keerake nuppu pingutamiseks päripäeva.



Kui löikate kelkmehhanismi abil, tõmmake esmalt kelk täielikult välja ja vajutage käepide alla, seejärel tõugake kelku juhtpiirde suunas.



Hoidke vabastamisnuppu all, kui kallutate kelku paremale.



Alusplaadi löikamisel 45° eeringunurga all aktiveerige lukustushoob.



Ärge asetage kätt ega sõrmi löiketera lähedusse.



Ärge vaadake töötule sisse.



A: Tera läbimõõt
B: Ava läbimõõt



Ärge paigaldage horisontaalset kinnitusrakist samas suunas kaldlöökamisega. (Seda sümbolit kasutatakse horisontaalsel kinnitusrakisel)



Ainult EL-i riikide puhul
Seadmes sisalduvate ohtlike osade tõttu võivad elektri- ja elektroonikaseadmete jäätmel, akud ja patareid avaldada negatiivset mõju keskkonnale ja inimeste tervisele. Elektri- ja elektroonikaseadmeid ega akusid ei tohi kõrvaldada koos olmejäätmetega!
Euroopa elektri- ja elektroonikaseadmete jäätmel, akude ja patareide ning nende jäätmel direktiivi ja riiklikku õigusesse ülevõtmise kohaselt tuleb elektri- ja elektroonikaseadmete, akude ja patareide jäätmel koguda eraldi ning viia eraldiseisvasse olmejäätmete kogumispunkti, mis tegutseb kooskõlas keskkonnakaitse eeskirjadega. Sellele osutab seadmele paigaldatud läbikriipsutatud ratastega prügikasti sümbol.

Kavandatud kasutus

Tööriist on ette nähtud puidu täpseks sirgjooneliseks löikamiseks ja faasimiseks. Kasutage saagi ainult puidu, alumiiniumi või teiste sarnaste materjalide löikamiseks.

Müra

Tüüpiline A-korrigeeritud müratase, määratud standardi EN62841-3-9 kohaselt:

Helirõhutase (L_{pA}): 91 dB (A)

Helivõimsuse tase (L_{WA}): 100 dB (A)

Määramatus (K): 3 dB (A)

MÄRKUS: Deklareeritud müra väärtust (väärtuseid) on mõõdetud kooskõlas standardise katsemeetodiga ning seda võib kasutada ühe seadme võrdlemiseks teisega.

MÄRKUS: Deklareeritud müra väärtust (väärtuseid) võib kasutada ka mürataseme esmaseks hindamiseks.

⚠ HOIATUS: Kasutage kõrvakaitsemeid.

⚠ HOIATUS: Müratase võib elektritööriista tegelekkuses kasutamise ajal erineda deklareeritud väärtust(t)est olenevalt tööriista kasutusviisidest ja eriti töödeldavast toorikust.

⚠ HOIATUS: Rakendage operaatori kaitsmiseks kindlasti piisavaid ohutusabinõusid, mis põhinevad hinnangulisel müratasemel tegelikus tööolukorras (võttes arvesse tööperioodi kõiki osasid, näiteks korrad, kui seade lülitatakse välja ja seade töötab tühikäigul, lisaks tööajale).

EÜ vastavusdeklaratsioon

Ainult Euroopa riikide puhul

EÜ vastavusdeklaratsioon sisaldub käesoleva juhendi Lisas A.

OHUTUSHOIATUSED

Üldised elektritööriistade ohutushoiatused

⚠ HOIATUS: Lugege läbi kõik selle elektritööriistaga kaasas olevad ohutushoiatused, juhised, joonised ja tehnilised andmed. Järgnevate juhiste eiramine võib põhjustada elektrilöögi, süttimise ja/või raske kehavigastuse.

Hoidke edaspidisteks viideteks alles kõik hoiatused ja juhtnöörid.

Hoiatuses kasutatud termini „elektritööriist“ all peetakse silmas elektriga töötavaid (juhtmega) elektritööriistu või akuga töötavaid (juhtmeta) elektritööriistu.

Eerungisaagide ohutusjuhised

1. Eerungisaed on mõeldud puidu või puidusarnaste toodete löikamiseks; neid ei saa kasutada koos abrasiivsete löikeketastega, mis on mõeldud lattide, varraste, neetide jt ruuasulami materjalide löikamiseks. Abrasiivne tolm põhjustab alumise piirde jt liikuvate osade kinnijäämise. Abrasiivset löikamisest tekkinud sädemed põletavad alumist piiret, sisselõike siseosa ja teisi plast detaile.

2. Võimaluse korral kasutage töödeldava detaili toestamiseks klambreid. Töödeldavat detaili käega hoides tuleb kätt hoida saeterast alati vähemalt 100 mm kaugusel. Ärge kasutage saage, et lõigata tükke, mis on turvaliselt kinnitamiseks või käega hoidmiseks liiga väikesed. Kui käsi asub saeterale liiga lähedal, on oht saeteraga vigastada saada väga suur.
 3. Töödeldav ese peab olema paigal ja olema nii piirde kui ka laua külge kinnitatud või vastu neid kinni hoitud. Ärge juhtige töödeldavat eset vastu tera ega lõigake mingil muul moel „vaba käega“. Kinnitamata või liikuvad töödeldavad esemed võivad suure kiirusega eemale paiskuda ja põhjustada vigastusi.
 4. Suruge saag läbi töödeldava eseme. Saagi ei tohi läbi töödeldava eseme tõmmata. Lõike tegemiseks tõstke saepea ja tõmmake ilma lõikamata välja üle töödeldava eseme, käivitage mootor, vajutage saepea alla ja suruge saag läbi töödeldava eseme. Tõmbava liigutusega lõikamisel võib saetera liikuda töödeldava eseme peale ja terakoost võib paiskuda operaatori poole.
 5. Mitte mingil juhul ärge asetage oma kätt ei saetera eest ega tagant risti üle plaanitava lõikejoone. Töödeldava eseme hoidmine risti kätega, st hoides vasaku käega saeterast paremal asuvat töödeldavat eset või vastupidi, on väga ohtlik.
- **Joon.1**
6. Ärge asetage kätt saetera pöörlemise ajal saepuru eemaldamiseks või mõnel muul põhjusel üle piirde saetera küljele lähemale kui 100 mm. Käe kaugus saeterast ei pruugi olla ilmne ja te võite end raskelt vigastada.
 7. Uurige töödeldavat eset enne lõikamist. Kui töödeldav ese on kooldunud või kaardus, kinnitage see välise kaardus pinnaga vastu piiret. Alati tuleb jälgida, et töödeldava eseme, piirde ja laua vahel ei oleks piki lõikejoont mingit vahet. Kooldunud või kaardus töödeldavad esemed võivad väänduda või nihkuda ja põhjustada lõikamise ajal saetera kinnijäämist. Töödeldavas esemes ei tohi olla naelu ega teisi võroobjekte.
 8. Ärge kasutage saage enne, kui laualt on eemaldatud kõik tööriistad, saepuru jms peale töödeldava eseme. Väike praht, lahtised puidutükid või muud pöörleva teraga kokkupuutuvad esemed võivad suurel kiirusel eemale paiskuda.
 9. Lõigake korraka ainult ühte töödeldavat eset. Virmastatud mitut töödeldavat eset ei ole võimalik korralikult kinnitada ega haarata ja tera võib lõikamise ajal kinni jääda või nihkuda.
 10. Veenduge, et eeringisaag on enne kasutamist paigaldatud või kinnitatud tasasele ja kindlale tööpinna. Tasane ja kindel tööpind vähendab eeringisae ebastabiilseks muutumise ohtu.
 11. Mõelge oma töö läbi. Iga kord, kui muudate kalde- või faasinurga seadistust, veenduge, et ka reguleeritav piire on töödeldava eseme toetamiseks korralikult seadistatud ja ei sega lõiketera ega piirdesüsteemi. Liigutage saetera tööriista sisse lülitamata ja töödeldavat eset lauale asetamata lõpuni läbi simuleeritud lõikete veendumaks, et midagi ei takista ja pole ohtu piirdesse sisse lõigata.
 12. Lauapinnast suuremate töödeldavate esemete puhul tagage piisav tugi lauapikenduste, saepukkide jms näol. Eerungisae lauast laiemad või pikemad töödeldavad esemed võivad halvasti toetamise korral ümber minna. Äralõigatud osa või töödeldav eseme ümberminemisel võivad nad alumise piirde üles tõsta või pöörleva tera poolt eemale paiskuda.
 13. Ärge kasutage teist inimest lauapikenduse asemel või lisatoena. Töödeldava eseme ebakindel toetus võib põhjustada lõikamise ajal tera kinnijäämist või töödeldava eseme liikumist ning tõmmata teid ja abilist vastu pöörlevat tera.
 14. Äralõigatavat osa ei tohi kinni jääda ega mitte mingil moel jõuga vastu pöörlevat saetera suruda. Kinnijäämise korral, näiteks pikki pause tehes, võib ära lõigatav osa vastu tera kiiluda ja suure jõuga eemale paiskuda.
 15. Ümarate materjalide, nagu ümarlattide või torude korralikult toetamiseks tuleb alati kasutada selleks ettenähtud klambrit või kinnitust. Ümarlatid võivad hakata lõikamise ajal veerema, põhjustades sellega tera „hammustamist“ ja tõmmates töödeldava eseme koos teie käega vastu saetera.
 16. Laske saeteral saavutada täiskiirus, enne kui viite selle vastu töödeldavat eset. See vähendab töödeldava eseme eemale paiskumise ohtu.
 17. Kui töödeldav ese või tera jääb kinni, lülitage eeringisaag välja. Oodake, kuni kõik liikuvad osad on seiskunud, ja tõmmake pistik toiteallikast ja/või eemaldage akupakett. Seejärel asuge eemaldama kinni jäänud materjali. Saagimise jätkamine kinni jäänud töödeldava esemega võib tuua kaasa kontrolli kaotamise või kahjustada eeringisaagi.
 18. Pärast lõikamise lõppu vabastage lüliti, hoidke saepead all, oodake, kuni tera on täielikult seiskunud, ja alles siis eemaldage ära lõigatud osa. Käe viimine vabakäigul liikuva saetera lähedale on ohtlik.
 19. Mittetäieliku lõike tegemisel või lüliti vabastamisel, enne kui saag on täiesti alla asendisse jõudnud, hoidke tugevalt käepidemest. Sae pidurdumine võib põhjustada saepea ootamatult allapoole tõmbamist, tekitades sellega vigastamisohu.
 20. Kasutage saeterade puhul ainult sellist läbimõõtu, mis on märgitud tööriistale või määratud kindlaks kasutusjuhendis. Vale suurusega lõiketera kasutamine võib negatiivselt mõjutada lõiketera nõuetekohast kaitsset või kaitsespiirde funktsioneerimist, mille tagajärjeks võib olla raske kehavigastus.
 21. Kasutage ainult selliseid saeteri, millele märgitud kiirus on võrdne tööriistale märgitud kiirusega või sellest suurem.
 22. Kasutage saagi ainult puidu, alumiiniumi või teiste sarnaste materjalide lõikamiseks.
 23. (Ainult Euroopa riikide puhul) Kasutage alati standardile EN847-1 vastavat saetera.
- Lisajuhised**
1. Tehke töökoda tavalukke kasutades lastekindlaks.
 2. Ärge kunagi seiske tööriista peal. Tööriista ümberminemine või lõikeriistaga kogemata kokkupuutumine võib põhjustada raske vigastuse.

3. Ärge jätke töötavat tööriista kunagi järelevalveta. Lülitage toide välja. Ärge jätke tööriista järelevalveta enne, kui see on täielikult seiskunud.
4. Ärge töötage saega, mille piirdeid ei ole omal kohal. Enne igakordset kasutamist kontrollige terakaitse õiget sulgemist. Ärge töötage saega, kui terakaitse ei liigu vabalt ega sulgu kohe. Ärge kunagi kinnitage terakaitse klambri ega siduge seda avatud asendisse.
5. Hoidke käed väljaspool saetera liikumistrajektoori. Vältige kokkupuudet mis tahes vaibakäigul liikuva lõiketeraga. See võib põhjustada tõsise kehavigastuse.
6. Vigastusohu vähendamises viige kelk pärast iga ristlõiget lõpuni tagumisse asendisse.
7. Enne tööriista kandmist fikseerige kõik liikuvad osad.
8. Lukustustihvt või -hoob, mis lukustab sae, on ette nähtud ainult kandmiseks ja hoiustamiseks ega ole mõeldud lõiketoimingute ajal kasutamiseks.
9. Enne toimingu tegemist kontrollige hoolikalt, et lõiketeral poleks mürasid ega vigastusi. Asendage pragunenud või vigastatud lõiketera viivitamatult. Kõvastunud kumm ja puuvaik lõiketeradel aeglustab sae tööd ning suurendab tagasilöögi tekkimise võimalust. Hoidke lõiketera puhtana, eemaldades selle esmalt tööriista küljest, seejärel puhastades seda kummi- ja puuvaigu eemaldusvahendi, kuumaa vee või petrooleumiga. Ärge kasutage kunagi tera puhastamiseks bensiini.
10. Liuglõike tegemisel võib toimuda TAGASILÖÖK. TAGASILÖÖK toimub, kui tera jääb lõikamise ajal töödeldavasse esemesse kinni ja saetera liigub kiirelt operatori poole. Tulemuseks võib olla kontrolli kaotamine ja raske kehavigastus. Kui tera hakkab lõikamise ajal kinni jääma, ärge jätkake lõikamist ja vabastage kohe lüliti.
11. Kasutage ainult äärikuid, mis on mõeldud kasutamiseks koos selle tööriistaga.
12. Olge ettevaatlik, et mitte kahjustada völli, äärikuid (eriti paigalduspinda) ega polti. Nende osade kahjustused võivad põhjustada ketta purunemise.
13. Veenduge, et pöörduks oleks õigesti kinnitatud, nii et see töötamise ajal ei liiguks. Kasutage alusel olevaid avasid, et kinnitada saag stabiilse tööplatvormi või -pingi külge. ÄRGE kunagi kasutage tööriista, kui operaa tori asend on ebaloomulik.
14. Enne lüliti sissevajutamist veenduge, et völli lüluk oleks vabastatud.
15. Veenduge, et lõiketera ei puudutaks oma kõige madalamas asendis pöörduks.
16. Hoidke kindlalt käepidemest. Pange tähele, et käivitamisel ja seiskamisel liigub saag veidi üles või alla.
17. Veenduge, et lihvketas ei puutuks enne tööriista sisselülitamist vastu töödeldavat detaili.
18. Enne tööriista kasutamist töödeldaval esemel laske sellel mõnda aega koormuseta töötada. Olge tähelepanelik vibratsiooni või vibamise suhtes, mis võib anda märku vääras paigaldusest või halvasti tasakaalustatud lõiketerast.
19. Kui märkate midagi ebaharilikku, peatage töö viivitamatult.
20. Ärge püüdke lukustada päästikut sisselülitatud (ON) asendis.
21. Kasutage alati selles kasutusjuhendis soovitatud tarvikuid. Sobimatute tarvikute, nagu sobimatute abrasiivketaste, kasutamine võib põhjustada kehavigastuse.
22. Mõned materjalid võivad sisaldada mürgiseid aineid. Võtke meetmed tolmusisesehingamise ja nahaga kokkupuutumise vältimiseks. Järgige materjali tarnija ohutusteavet.
23. Ärge kasutage selle tööriistaga juhtmega toiteallikat.

Töötuld puudutavad lisaohutusnõuded

1. Ärge vaadake otse valgusesse ega valgusalikikat.

HOIDKE JUHEND ALLES.

⚠ HOIATUS: ÄRGE UNUSTAGE järgida toote ohutusnõudeid mugavuse või toote (korduskasutamise saavutatud) hea tundmise tõttu. VALE KASUTUS või kasutusjuhendi ohutuseeskirjade eiramine võib põhjustada tervisekahjustusi.

Akukassetiga seotud olulised ohutusjuhised

1. Enne akukasseti kasutamist lugege (1) akulaadimise, (2) akul ja (3) seadmel olevad juhtmõõrid ja hoiatused läbi.
2. Ärge võtke akukassetti lahti ega muutke seda. See võib põhjustada tulekahju, liigset kuumust või plahvatuse.
3. Kui tööaeg järsult lüheneb, siis lõpetage kohe kasutamine. Edasise kasutamise tulemuseks võib olla ülekuumenemisoht, võimalikud põletused või isegi plahvatus.
4. Kui elektrolüüti satub silma, siis loputage silma puhta veega ja pöörduge koheselt arsti poole. Selline õnnetus võib põhjustada pimedaksjäämist.
5. Ärge tekitage akukassetis lühisid:
 - (1) Ärge puutuge klemme elektrijuhtidega.
 - (2) Ärge hoidke akukassetti tööriistakassis koos metalliesemetega, nagu naelad, mündid jne.
 - (3) Ärge tehke akukassetti märjaks ega jätke seda vihma kätte.
 Aku lühis võib põhjustada tugevat elektrivoolu, ülekuumenemist, põletusi ning ka seadet tõsiselt kahjustada.
6. Ärge hoidke ega kasutage tööriista ja akukassetti kohtades, kus temperatuur võib tõusta üle 50 °C (122 °F).
7. Ärge põletage akukassetti isegi siis, kui see on saanud tõsiselt vigastada või on täiesti kulunud. Akukassett võib tules plahvatada.
8. Ärge naelutage, lõigake, muljuge, visake akukassetti ega laske sel kukkuda, samuti ärge lööge selle pihta kõva esemega. Selline tegevus võib põhjustada tulekahju, liigset kuumust või plahvatuse.

9. Ärge kasutage kahjustatud akut.
10. Sisalduvatele liitium-ioonakudele võivad kohalduda ohtlike kaupade õigusaktide nõuded. Kaubanduslikul transportimisel, näiteks kolmandate poolte või transportiettevõtete poolt, tuleb järgida pakendil ja siltidel toodud erinõudeid. Transportimiseks ettevalmistamisel on vajalik pidada nõu ohtliku materjali eksperdigaga. Samuti tuleb järgida võimalike riiklike regulatsioonide üksikasjalikumaid nõudeid. Katke teibiga või varjake avatud kontaktid ja pakendage aku selliselt, et see ei saaks pakendis liukuda.
11. Kasutuskõlbmatuks muutunud akukassetti kõrvaldamiseks eemaldage see tööriistast ja viige selleks ette nähtud kohta. Järgige kasutuskõlbmatuks muutunud aku kõrvaldamisel kohalikke eeskirju.
12. Kasutage akusid ainult Makita heaks kiidetud toodetega. Akude paigaldamine selleks mitte ettenähtud toodetele võib põhjustada süttimist, ülemääraast kuumust, plahvatamist või elektrolüüdi lekkimist.
13. Kui tööriista ei kasutata pika ajaperioodi jooksul, tuleb aku tööriistast eemaldada.
14. Kasutamise ajal ja pärast kasutamist võib akukassett kuumeneda, mis võib põhjustada põletusi või madala temperatuuri põletusi. Olge kuumade akukassettide kandmisel ettevaatlik.
15. Ärge puudutage tööriista klemmi kohe pärast kasutamist, sest see võib olla kuum ja põhjustada põletusi.
16. Hoidke akukassetti klemmid,avad ja sooned tükikestest, tolmust ja mullast puhtad. Muidu võib tööriist või akukassett halvasti töötada või puruneda.
17. Kui tööriist ei kannata kasutamist kõrgepingeliinide lähedal, ärge kasutage akukassetti kõrgepingeliinide lähedal. Muidu võib tööriist või akukassett puruneda või sellel tõrge tekkida.
18. Hoidke akut lastele kättesaamatult.

HOIDKE JUHEND ALLES.

⚠ETTEVAATUST: Kasutage ainult Makita originaalakusid. Mitte Makita originaalakude või muudetud akude kasutamine võib põhjustada akude süttimise, kehavigastuse ja kahjustuse. Samuti muudab see kehtetuks Makita tööriista ja laadija Makita garantii.

Vihjeid aku maksimaalse kasutusaja tagamise kohta

1. Laadige akukassetti enne selle täielikku tühjenemist. Kui märkate, et tööriist töötab väiksema võimsusega, peatage töö ja laadige akukassetti.
2. Ärge laadige täielikult laetud akukassetti. Ülelaadimine lühendab akude kasutusiga.
3. Laadige akukassetti toatemperatuuril 10 °C - 40 °C. Enne laadimist laske kuumenenud akukassetil maha jahtuda.
4. Kui te ei kasuta parajasti akukassetti, eemaldage see tööriistast või laadurist.
5. Kui te ei kasuta akukassetti kauem kui kuus kuud, laadige see.

Juhtmeta seadmega seotud olulised ohutusjuhised

1. Ärge võtke juhtmeta seadet lahti ega muutke seda omavoliiselt.
2. Hoidke juhtmeta seadet lastele kättesaamatus kohas. Kogemata allaneelamise korral pöörduge kohe arsti poole.
3. Kasutage juhtmeta seadet ainult koos Makita tööriistadega.
4. Ärge jätke juhtmeta seadet vihma kätte ega märja keskkonda.
5. Ärge kasutage juhtmeta seadet kohtades, kus temperatuur on üle 50 °C.
6. Ärge kasutage juhtmeta seadet kohtades, kus leidub meditsiinilisi seadmeid, nagu südamestimulaatorid.
7. Ärge kasutage juhtmeta seadet kohtades, kus leidub automatiseeritud seadmeid. Muidu võib automatiseeritud seadmetel esineda talitushäireid või need võivad minna rikki.
8. Ärge töötage juhtmeta seadmega kohtades, kus on kõrge temperatuur ja kus võib esineda staatilist elektrit või elektrilist müra.
9. Juhtmeta seadmed võivad tekitada elektromagnetvälju (EMV), mis ei ole kasutajale kahjulikud.
10. Juhtmeta seade on täppiseade. Olge ettevaatlik, ärge laske juhtmevabal seadmel maha kukkuda ja vältige lööke.
11. Ärge puudutage juhtmeta seadme klemmi paljaste käte või metalliesemetega.
12. Juhtmeta seadme tööriista sisse paigaldamisel eemaldage tootest alati aku.
13. Ärge avage pesa katet kohas, kus tolm või vesi võivad pesasse sattuda. Hoidke pesa siselõuakeava alati puhtana.
14. Sisestage juhtmeta seade alati õiges suunas.
15. Ärge vajutage juhtmeta seadme juhtmeta aktiveerimise nupule liiga tugevalt ja/või ärge tehke seda teravate servadega esemega.
16. Sulgege pesa kaas alati pärast kasutamist.
17. Ärge eemaldage juhtmeta seadet pesast ajal, kui tööriista varustatakse toitega. Selle juhise järgimata jätmine võib tekitada juhtmeta seadme talitushäireid.
18. Ärge eemaldage juhtmevabalt seadmelt kleebist.
19. Ärge pange juhtmevabale seadmele mingeid kleebiseid.
20. Ärge jätke juhtmeta seadet kohta, kus võib esineda staatilist elektrit või elektrilist müra.
21. Ärge jätke juhtmeta seadet kohta, kus on väga kuum, nt päikese kätte seisvasse autosse.
22. Ärge jätke juhtmeta seadet tolmusesse või pulbrilisse kohta või kohta, kus võib esineda söövitavaid gaase.
23. Äkiline temperatuuri muutumine võib tekitada juhtmeta seadme pinnale niiskuskihki. Ärge kasutage juhtmeta seadet enne, kui kogunenud niiskus on täielikult ära kuivanud.
24. Juhtmeta seadme puhastamisel pühkige seda õrnalt pehme lapiga. Ärge kasutage bensiini, lahusteid, juhtivaid määreid vms.

25. Juhtmeta seadme hoiustamisel hoidke seda komplekti kuuluvas karbis või staatikavabas konteineris.
26. Ärge sisestage tööriista pesasse muid seadmeid kui Makita juhtmeta seade.
27. Ärge kasutage tööriista, kui pesa kaas on kahjustunud. Pessa sattuvad vesi, tolm või mustus võivad põhjustada talitushäireid.
28. Ärge tõmmake ega väänake pesa katet rohkem kui vajalik. Kui tööriistalt tuleb kaas ära, siis pange see oma kohale tagasi.
29. Asendage pesa kaas, kui see on läinud kaduma või kahjustunud.

HOIDKE JUHEND ALLES.

OSADE KIRJELDUS

► Joon.2

1	Nupp (kaldenurgale)	2	Kuuskantvõti	3	Reguleerimiskruvi (alumine piirasend)	4	Reguleerimispoltt (maksimaalne saagimisjõudlus)
5	Stopperlatt	6	Lahtilukustusnupp	7	Lüliti päästik	8	Kaas (juhtmeta seadme jaoks)
9	Ava tabaluku jaoks	10	Juhtmeta aktiveerimise nupp	11	Juhtmeta aktiveerimise tuli	12	Lambinupp
13	Tolmuimeja nupp	14	Terakarp	15	Terakaitse	16	Hoidik
17	Lukustushoob (pöördalusele)	18	Vabastushoob (pöördalusele)	19	Käepide (pöördalusele)	20	Otsamislaud
21	Eerunginurga skaala	22	Osuti (eerunginurgale)	23	Pöördalus	24	Vabastamisnupp (parema külje kaldenurga jaoks)
25	Vertikaalne kinnitusrakis	26	Lukustustihvt (kelgu libistamiseks)	27	Liugvarras	-	-

► Joon.3

1	Käepide	2	Akukassett	3	Tolmukott (kui asendatakse tolmuärastusvoolikuga)	4	Voolik (tolmuärastuseks)
5	0° reguleerimispoltt (kaldenurgale)	6	Kaldenurga skaala	7	Osuti (kaldenurgale)	8	45° reguleerimispoltt (kaldenurgale)
9	Riivistushoob (kaldenurgale)	10	Vabastushoob (48° kaldenurgale)	11	Juhtpiire (ülemine piire)	12	Juhtpiire (alumine piire)
13	Lukustustihvt (kelgu tõstmiseks)	14	Võllilukk	-	-	-	-

PAIGALDAMINE

Käepideme paigaldamine

Keerake käepideme keermestatud võll pöördalusesse.

► **Joon.4:** 1. Käepide 2. Pöördalus

Tolmuärastusvooliku paigaldamine ja eemaldamine

Kinnitage vooliku õlg ülemise ava külge, nii et lukustusnupp jääb ülespoole. Sisestage vooliku muhv alumisse avasse, vajutades ja joondades muhvile olevaid stoppernuppe aval asuva juhtsalguga.

Veenduge, et põvliitmik ja muhv sobiksid korralikult tööriista avadele.

► **Joon.5:** 1. Tolmuärastusvoolik 2. Pölv 3. Lukustusnupp 4. Hülss 5. Ülemine ava 6. Alumine ava

Vooliku põlve eemaldamiseks avast tõmmake põlve, vajutades samal ajal lukustusnuppu alla.

► **Joon.6:** 1. Lukustusnupp 2. Pölv

Vooliku muhvi avast eemaldamiseks tõmmake muhvi, vajutades samal ajal stoppernuppe ava mõlemal küljel.

► **Joon.7:** 1. Stoppernupp 2. Muhv

Paigaldamine lauale

Tööriista tarnimisel on käepide lukustatud lukustustihvti abil langetatud asendisse. Käepidet kergelt langetades tõmmake lukustustihvti ja pöörake seda 90°.

► **Joon.8:** 1. Lukustatud asend 2. Avatud asend 3. Lukustustihvt

Tööriist tuleks nelja poldiga tasase ja stabiilse pinna külge kinnitada, kasutades tööriista alusel olevaid poldiauke. See aitab vältida kummuliminekut ja võimalikke vigastusi.

► **Joon.9:** 1. Poldid

▲ HOIATUS: Veenduge, et masin ei liiguks tugipinnal. Kui eerungisaag liigub saagimise ajal tugipinnal, võib see lõppeda kontrolli kaotamisega seadme üle ja tõsise vigastusega.

FUNKTSIONAALNE KIRJELDUS

⚠ HOIATUS: Kandke alati hoolt selle eest, et tööriist oleks enne selle reguleerimist või funktsioonide kontrollimist välja lülitatud ning akukasett eemaldatud. Kui jätta tööriist välja lülitamata ja akukasetti eemaldamata, võib selle tagajärjeks olla tööriista juhuslikust käivitumisest tingitud raske kehavigastus.

Akukasetti paigaldamine või eemaldamine

⚠ ETTEVAATUST: Lülitage tööriist alati enne akukasetti paigaldamist või eemaldamist välja.

⚠ ETTEVAATUST: Akukasetti paigaldamisel või eemaldamisel tuleb tööriista ja akukasetti kindlalt paigal hoida. Kui tööriista ja akukasetti ei hoita kindlalt paigal, võivad need käest libiseda ning kahjustada tööriista ja akukasetti või põhjustada kehavigastusi.

► **Joon.10:** 1. Punane näidik 2. Nupp 3. Akukasett

Akukasetti eemaldamiseks libistage see tööriista küljest lahti, vajutades kasseti esiküljel paiknevat nuppu alla.

Akukasetti paigaldamiseks joondage akukasetti keel korpuse soonega ja libistage kassett oma kohale. Sisestage see tervenisti, kuni see lukustub klõpsuga oma kohale. Kui näete joonisel näidatud punast näidikut, pole see täielikult lukustunud.

⚠ ETTEVAATUST: Paigaldage akukasett alati täies ulatuses nii, et punast osa ei jääks näha.

Muidu võib adapter juhuslikult tööriistast välja kukkuda ning põhjustada teile või läheduses viibivatele isikutele vigastusi.

⚠ ETTEVAATUST: Ärge rakendage akukasetti paigaldamisel jõudu. Kui kassett ei lähe kergesti sisse, pole see õigesti paigaldatud.

Tööriista/aku kaitsesüsteem

Tööriist on varustatud tööriista või aku kaitsesüsteemiga. Süsteem lülitab mootori automaatselt välja, et pikendada tööriista ja aku tööiga. Tööriist seiskub käitamise ajal automaatselt, kui tööriista või aku kohta kehtib üks järgmistest tingimustest. Teatud tingimustes hakkavad indikaatorid põlema.

Ülekoormuskaitse

Kui tööriist/aku hakkab kasutamise käigus tarbima ebaharilikult palju voolu, seiskub tööriist automaatselt. Sel juhul lülitage tööriist välja ja lõpetage töö, mis põhjustas tööriista ülekoormuse. Pärast seda käivitage tööriist uuesti.

Ülekuumenemiskaitse

Tööriista/aku ülekuumenemisel seiskub tööriist automaatselt ja lamp hakkab vilkuma. Sellises olukorras laske tööriistal maha jahtuda, enne kui selle uuesti sisse lülitate.

Ülelaadimiskaitse

Kui aku jääkmahutavus on väike, siis seiskub tööriist automaatselt. Kui tööriist ei hakka lülitate kasutamisel tööle, eemaldage tööriistast aku ja laadige seda.

Aku jääkmahutavuse näit

Akukasetti järelejäänud mahutavuse kontrollimiseks vajutage kontrollimise nuppu. Märgulambid süttivad mõneks sekundiks.

► **Joon.11:** 1. Märgulambid 2. Kontrollimise nupp

Märgulambid			Jääkmahutavus
Pöleb	Ei põle	Vilgub	
■ ■ ■ ■			75 - 100%
■ ■ ■ □			50 - 75%
■ ■ □ □			25 - 50%
■ □ □ □			0 - 25%
▬ □ □ □			Laadige akut.
■ ■ □ □			Akul võib olla tõrge.
□ □ ■ ■	↑ ↓		

MÄRKUS: Näidatud mahutavus võib veidi erineda tegelikest mahutavusest olenevalt kasutustingimustest ja ümbriseva keskkonna temperatuurist.

MÄRKUS: Esimene (taga vasakul asuv) märgutuli vilgub, kui akukaitsesüsteem töötab.

Käepideme lukk

⚠ ETTEVAATUST: Kinnitustihvti vabastamisel hoidke alati käepidemest. Muidu paiskuvad käepideme vedrud välja ja võivad põhjustada kehavigastuse.

Käepideme saab lukustustihvtiga lukustada kas alumisse või ülemisse asendisse. Langetage või tõstke käepide täielikult ning tõmmake ja keerake seejärel lukustustihvt lukustatud asendisse. Käepideme avamiseks tõmmake lukustustihvti ja keerake seda 90° lukustamata asendisse, samal ajal käepidet veidi langetades.

► **Joon.12:** 1. Lukustatud asend 2. Avatud asend 3. Lukustustihvt

Libistamisluuk

Tõmmake lukustustihvti ja keerake seda 90° lukustamata asendisse, et kelk saaks vabalt liikuda. Kelgu libiseva liikumise lukustamiseks lükake kelku õla poole kuni peatumiseni, ja viige lukustustihvt seejärel lukustatud asendisse.

► **Joon.13:** 1. Lukustatud asend 2. Avatud asend 3. Lukustustihvt 4. Õlg

Terakaitse

⚠️HOIATUS: Saeketta kaitset ega kaitsme külge kinnitatud vedru ei tohi kunagi kõrvale pöörata ega eemaldada. Kõrvale pööratud kaitsme tõttu paljastatud saeketas võib kasutamisel põhjustada tõsiseid vigastusi.

⚠️HOIATUS: Ärge mitte mingil kasutage saagi, kui saeketta kaitse või vedru on kahjustatud, defektne või eemaldatud. Katkise, rikkis või eemaldatud kaitsmega masina kasutamine võib lõppeda tõsise vigastusega.

⚠️ETTEVAATUST: Ohutu töötamise huvides hoidke terakaitse alati heas seisukorras. Lõpetage kohe töötamine, kui terakaitsemega on midagi valesti. Kontrollige terakaitse tagasitõmbedvedru töökindlust.

Käepideme langetamisel tõuseb terakaitse automaatselt. Kaitse on varustatud tagasitõmbedvedruga, naastes pärast löike tegemist ja käepideme tõstmist oma algele kohale.
▶ **Joon.14:** 1. Terakaitse

Puhastamine

Kui läbipaistev terakaitse määrdub või sellele koguneb tera ja/või töödeldava detaili nähtavust halvendav saepuru, eemaldage akukassett ja puhastage kaitset hoolikalt niiske lapiga. Ärge kasutage plastkaitsme puhastamiseks lahusteid või naftapõhiseid puhastusvahendeid, sest need võivad kaitset kahjustada. Puhastamiseks järgige samm-sammult esitatud ettevalmistamise juhiseid.

1. Veenduge, et tööriist oleks välja lülitatud ja akukassett eemaldatud.
 2. Keerake kuuskantpolti kaasas oleva kuuskantvõtme vastupäeva ja hoidke samal ajal keskmist katet.
 3. Tõstke terakaitse ja keskmine kate üles.
 4. Kui puhastamine on lõpetatud, viige keskmine kate tagasi oma kohale ja pingutage kuuskantpolti, korrates eeltoodud toiminguid vastupidises järjestuses.
 5. Viige ketassaetera ja keskmine kate tagasi oma kohale ning pingutage kuuskantpolti.
- ▶ **Joon.15:** 1. Kuuskantvõti 2. Kuuskantpolt 3. Keskmine kate 4. Terakaitse

⚠️HOIATUS: Ärge eemaldage terakaitset kinni hoidvat vedru. Kui kaitse on UV-kiirguse või vananemise tõttu kahjustunud, võtke ühendust Makita teeninduskeskusega, et uus hankida. **ÄRGE PÖÖRAKE KAITSET KÕRVALE EGA EEMALDAGE SEDA.**

Otsamislaua paigutamine

Sellel tööriistal on pöördulusel olevad otsamislaud, mis minimeerivad löike väljumiskülje rebimist. Otsamislaud on tehasest reguleeritud nii, et ketassaetera ei puutuks nende vastu. Enne kasutamist reguleerige otsamislaudu järgmiselt:

1. Eemaldage kindlasti akukassett. Seejärel keerake kõik otsamislaudu kinni hoidvad kruvid lahti (kaks tükki vasakul ja paremal).
- ▶ **Joon.16:** 1. Otsamislaud 2. Kruvid

MÄRKUS: Tagumisi kruve saab hõlpsalt lödvemaks lasta ja pingutada, keerates pöördulust nurga all. Pöörduluse keeramisel tõstke kindlasti käepide täiesti üles.

2. Kinnitage need uuesti ainult sel määral, et otsamislaudu saab kergesti käega liigutada.
 3. Langetage käepide lõpuni alla, tõmmake ja pöörake seejärel lukustustihvti, et lukustada käepide langevat asendisse.
 4. Tõmmake ja keerake liugvardal lukustustihvti, et kelk saaks liueda.
- ▶ **Joon.17:** 1. Lukustustihvt 2. Lukustatud asend 3. Avatud asend
5. Tõmmake kelk lõpuni enda poole.
 6. Reguleerige otsamislaudu nii, et need puudutaksid napilt saehammaste külgi.
- ▶ **Joon.18**
- ▶ **Joon.19:** 1. Saetera 2. Tera hammas 3. Otsamislaud 4. Vasakpoolne fassetlõike 5. Sirg lõike 6. Parempoolne fassetlõike

TÄHELEPANU: Kaldenurga muutmisel veenduge, et asetaksite otsamislauda vastavalt.

TÄHELEPANU: Eemaldage alati ülemised juhtpiirded ja vertikaalne kinnitusrakis enne otsamislaudade seadmist vasak- või parempoolse fassetlõikamise jaoks.

7. Kinnitage eesmised kruvid (ärge keerake kõvasti kinni).
8. Lükake kelk lõpuni juhtpiirete poole ja reguleerige seejärel otsamislaudu nii, et need puudutaksid napilt saehammaste külgi.
9. Kinnitage tagumised kruvid (ärge keerake kõvasti kinni).
10. Pärast otsamislaudade reguleerimist vabastage käepideme luku lukustustihvt ja tõstke käepidid. Seejärel kinnitage kõik kruvid tugevasti.

TÄHELEPANU: Pärast kaldenurga seadistamist veenduge, et otsamislauda oleksid korralikult seadistatud. Otsamislaudade õige seadistamine aitab tagada töödeldavale esemele korraliku toe ja minimeerida selle purunemisohtu.

Maksimaalse saagimisjõudluse tagamine

Masina tehaseseadistus pakub 260 mm saeteraga saagimisel maksimaalset saagimisjõudlust. Uue ketassaetera paigaldamisel kontrollige alati tera alumist piirasendit ja vajaduse korral reguleerige seda järgmiselt.

1. Eemaldage akukassett. Keerake seejärel lukustushoob rakendusasendisse.
- ▶ **Joon.20:** 1. Lukustushoob
2. Lükake kelk lõpuni juhtpiirete vastu ja langetage käepide lõpuni alla.
- ▶ **Joon.21:** 1. Juhtpiire 2. Reguleerimispol

3. Kasutage kuuskantmutrivõtit, et keerata reguleerimispolti, kuni ketassaetera on liikunud kergelt juhtpiirete ja pöördaluse pealispinna alla.

► **Joon.22:** 1. Eerungiplaadi pealmine pind 2. Juhtpiire

4. Pöörake tera käega, hoides samal ajal käepidet all, et ketassaetera ei puutuks vastu alust. Vajaduse korral reguleerige veidi.

⚠HOIATUS: Uue ketassaetera paigaldamise järel (akukassett peab olema eemaldatud) veenduge alati selles, et ketassaetera ei satuks käepideme alumise asendi korral kokkupuutesse aluse ühegi osaga. Ketassaetera kokkupuude alusega võib kaasa tuua tagasilööke ja põhjustada tõsiseid vigastusi.

► **Joon.23**

⚠ETTEVAATUST: Pärast reguleerimist viige lukustushoob alati esialgsesse asendisse tagasi.

Stopperlatti

Ketassaetera alumist piirasendit saab stopperlati abil hõlpsasti reguleerida. Reguleerimiseks keerake stopperlati noole suunas, nagu on joonisel näidatud. Keerake reguleerimiskruvi nii, et käepideme langetamisel madalaimasse asendisse peatuks ketassaetera soovitud asendis.

► **Joon.24:** 1. Reguleerimiskruvi 2. Stopperlatti

⚠ETTEVAATUST: Hoidke tööriista reguleerimise ajal alati kindlalt käes. Muidu võib kelk üles hüpata ja põhjustada kehavigastusi.

Eerunginurga reguleerimine

⚠ETTEVAATUST: Pärast eerunginurga reguleerimist kinnitage pöördalus, viies lukustamis-/vabastamishoova lukustatud asendisse ja kinnitades pideme korralikult.

TÄHELEPANU: Pöördaluse keeramisel tõstke käepide kindlasti kõrgeimasse asendisse.

1. Pöörake käepidet vastupäeva. Seejärel vajutage lukustushoob avatud asendisse ja hoidke seda all.
 2. Pöördaluse pööramiseks hoidke ja nihutage käepidet küljelt küljele.
 3. Viige osuti kohakuti soovitud nurgaga eerunginurga skaalal.
 4. Vabastage lukustushoob ja pingutage käepidet.
- **Joon.25:** 1. Haarats 2. Lukustushoob 3. Osuti 4. Eerunginurga skaala

Positiivse seiskamise funktsioon

Eerungisael on sundasendi funktsioon. Teil on võimalik seadistada kiirelt 0°, 15°, 22,5°, 31,6°, 45° ja 60° parem-/vasakpoolset eerunginurka.

1. Pöörake haaratsit vastupäeva
2. Vajutage lukustushoob avatud asendisse ja hoidke seda all.
3. Keerake pöördalus soovitud positiivse seiskamise nurga lähedale ja vabastage lukustushoob.

4. Keerake pöördalust soovitud positiivse seiskamise nurga all, kuni see on kinnitatud.

5. Pingutage haaratsit.

► **Joon.26:** 1. Haarats 2. Lukustushoob 3. Positiivse seiskamise nurk

MÄRKUS: Pöördaluse positiivse seiskamise funktsioonist vabastamiseks vajutage vabastushooba alla. Pöördalust saab vabalt liigutada, ilma et peaks lukustushooba all hoidma. Nihutage haaratsit, et keerata pöördalust soovitud nurga alla, seejärel pingutage haaratsit.

► **Joon.27:** 1. Vabastushoob

Kaldenurga reguleerimine

⚠ETTEVAATUST: Pärast kaldenurga reguleerimist kinnitage latt alati korralikult, keerates nuppu liugvardal päripäeva.

TÄHELEPANU: Enne kaldenurga reguleerimist eemaldage alati ülemine juhtpiire ja vertikaalne kinnitusrakis.

TÄHELEPANU: Ketassaetera kallutamisel tõstke kelk täielikult üles.

TÄHELEPANU: Kaldenurga muutmisel veenduge, et asetaksite otsamislaud nii, nagu on kirjeldatud jaotises otsamislaudade paigaldamise kohta.

TÄHELEPANU: Ärge pingutage nuppu liugvardal liiga tugevalt. See võib põhjustada kaldenurga lukustusmehhanismi rikke.

Ketassaetera kallutamine vasakule

1. Keerake liugvardal asuvat nuppu vastupäeva.
- **Joon.28:** 1. Nupp
2. Tõmmake ja keerake riivistushoob näidatud viisil asendisse.
- **Joon.29:** 1. Riivistushoob
3. Hoidke käepidemest kinni ja kallutage kelku vasakule.
 4. Viige osuti skaalal kohakuti soovitud nurgaga.
 5. Kelgu õla kinnitamiseks pingutage nuppu päripäeva.
- **Joon.30:** 1. Nupp 2. Käepide 3. Osuti 4. Kaldenurga skaala

Ketassaetera kallutamine paremale

1. Keerake liugvardal asuvat nuppu vastupäeva.
 2. Hoidke käepidemest kinni ja kallutage kelku veidi vasakule.
 3. Kallutage kelku paremale ja vajutage vabastusnuppu parema külje kaldenurga saavutamiseks.
 4. Viige osuti skaalal kohakuti soovitud nurgaga.
 5. Kelgu õla kinnitamiseks pingutage nuppu päripäeva.
- **Joon.31:** 1. Nupp 2. Käepide 3. Vabastusnupp parema külje kaldenurga jaoks 4. Kaldenurga skaala

Ketassaetera kallutamine positiivse seiskamise funktsiooni abil

Eerungisael on sundasendi funktsioon. Teil on võimalik seadistada kiirelt 22,5° ja 33,9° nurka nii paremale kui vasakule poole.

1. Keerake liugvardal asuvat nuppu vastupäeva.
 2. Kallutage kelku soovitud positiivse seiskamise nurga lähedale ja tõstke riivistushoob üles.
 3. Sättige riivistushoob horisontaalsesse asendisse.
 4. Kallutage kelku soovitud positiivse seiskamise nurga all, kuni see on kinnitatud.
 5. Nurga muutmiseks tõmmake riivistushooba tööriista esiosa poole ja seejärel kallutage uuesti kelku.
 6. Kelgu õla kinnitamiseks pingutage nuppu päripäeva.
- **Joon.32:** 1. Nupp 2. Riivistushoob

Ketassaetera kallutamine üle vahemiku 0° – 45°

1. Keerake liugvardal asuvat nuppu vastupäeva.
 2. Hoidke käepidemest kinni ja kallutage kelku 45° vasakule või paremale.
 3. Tõmmake kelku veidi tagasi ja libistage vabastushooba 48° kaldenurga saavutamiseks tööriista esiosa poole.
 4. Kallutage kelku vasakule või paremale, hoides samal ajal kangi vabastatuna.
 5. Kelgu õla kinnitamiseks pingutage nuppu päripäeva.
- **Joon.33:** 1. Nupp 2. Käepide 3. Vabastushoob 48° kaldenurga jaoks

Lüliti funktsioneerimine

▲HOIATUS: Kontrollige alati enne akukasseti tööriista külge paigaldamist, kas lüliti päästik funktsioneerib nõuetekohaselt ja liigub lahtilaskmisel tagasi väljalülitatud asendisse. Ärge tõmmake lüliti päästikut tugevasti ilma lahtilukustusnuppu vajutamata. See võib põhjustada lüliti purunemise. Tööriista juhtimine lüliti abil, mis ei toimi korralikult, võib kaasa tuua kontrolli kaotamise sae üle ja põhjustada tõsiseid vigastusi.

▲HOIATUS: ÄRGE KUNAGI kasutage tööriista, kui lüliti päästik ei ole täielikult töökorras. Mis tahes masin, mille lüliti on korrast ära, on ÜLIMALT OHTLIK ja vajab enne edasist kasutamist remonti, sest muidu võite saada tõsiselt vigastada.

▲HOIATUS: Lahtilukustusnupu fikseerimine kleelplindi vms-ga on KEELATUD. Inaktiveeritud lahtilukustusnupuga lüliti võib põhjustada masina soovimatut sisselülitumise, millega kaasnevad tõsised vigastused.

▲HOIATUS: ÄRGE kasutage KUNAGI masinat, kui see käivitub ka siis, kui lahtilukustusnuppu vajutamata vajutate lihtsalt lüliti päästikut. Remonti vajav lüliti võib põhjustada masina soovimatut sisselülitumise, millega kaasnevad tõsised vigastused. ENNE edasist kasutamist viige masin parandamiseks Makita teeninduskeskusesse.

- **Joon.34:** 1. Lüliti päästik 2. Lahtilukustusnupp
3. Ava tabaluku jaoks

Lüliti päästiku juhusliku vajutamise vältimiseks on tööriistal blokeerimisnupp. Tööriista käivitamiseks vajutage lahtilukustusnuppu sisse ning tõmmake lüliti päästikut. Vabastage lüliti päästik tööriista seiskamiseks. Tööriista lukustamiseks on lüliti päästikul ava, mille külge paigaldatakse tabalukk.

▲HOIATUS: Ärge kasutage tabalukku, mille värb või kaabel on väiksema läbimõõduga kui 6,35 mm. Väiksem vars või kaabel ei pruugi tööriista korralikult väljalülitatud asendisse lukustada ja tööriista kogemata käivitamine võib põhjustada tõsiseid vigastusi.

Lõikejoone valamine

▲ETTEVAATUST: Lamp ei ole veekindel. Ärge peske lampi vees ega kasutage seda vihma käes või niiskes kohas. See võib põhjustada elektrilööki ja suitsu eraldumist.

▲ETTEVAATUST: Ärge puudutage lambiklaasi, kuna see on põlemise ajal ja vahetult pärast välja-lülitamist väga kuum. See võib põhjustada põletusi.

▲ETTEVAATUST: Ärge lööge vastu lampi, sest lamp võib kahjustada saada või selle kasutisiga läheneda.

▲ETTEVAATUST: Ärge vaadake otse valgus-esse ega valgusallikat.

LED-tuli paistab ketassaeterale ja lõiketera vari langeb toorikule, mis on kalibreerimisvaba lõikejoone indikaatoriks. Tule põlema panemiseks vajutage lambi nuppu. Ilmub joon, milles tera kohtub tooriku pinnaga, muutudes tera langetamisel sügavamaks.

- **Joon.35:** 1. Lambi nupp 2. Lamp 3. Lõikejoon

Indikaator aitab lõigata läbi olemasoleva läbilõikejoone, mis on pliitsiga toorikule tõmmatud.

1. Hoidke käepidemest kinni ja langetage ketassaetera alla, nii et toorikule ilmuku tera tume vari.
2. Joondage toorikule tõmmatud läbilõikejoon varju-tatud lõikejoonega.
3. Reguleerige vajaduse korral eerungi- ja fassetnurki.

MÄRKUS: Lülitage lambi lüliti pärast kasutamist kindlasti välja, sest sisselülitatult kasutab see akutoidet.

MÄRKUS: Tuli kustub automaatselt 5 minutit pärast töö lõpetamist.

Elektrooniline funktsioon

Elektriline pidur

Tööriist on varustatud elektrilise terapiduriga. Kui tööriist ei peatu järjepidevalt kohe pärast lüliti päästiku vabastamist, viige see hoolduseks Makita teeninduskeskusesse.

▲ETTEVAATUST: Terapidurdussüsteem ei asenda terakaitset. Ärge kunagi kasutage tööriista ilma toimiva terakaitseta. Kaitsekatteta tera kasutamine võib põhjustada raskeid kehavigastusi.

Püsikiiruse juhtimine

Saag on varustatud elektroonilise kiirusregulaatoriga, mis hoiab alal saeketta ühtlast pöörlemiskiirust isegi koormuse all. Saeketta ühtlane pöörlemiskiirus tagab väga ühtlase saagimise.

Sujuvkäivituse funktsioon

See funktsioon võimaldab käivitamise väändejõudu piirates tööriista sujuvalt käivitada.

KOKKUPANEK

⚠HOIATUS: Kandke alati hoolt selle eest, et tööriist oleks enne selle reguleerimist välja lülitatud ning akukassett eemaldatud. Kui jätate seadme välja lülitamata või aku eemaldamata, võib see lõppeda tõsise kehavigastusega.

Kuuskantvõtme hoiulepanek

Kui kuuskantvõtit ei kasutata, pange see kaotamise vältimiseks joonisel näidatud viisil hoiule.

► **Joon.36:** 1. Kuuskantvõti

Saetera eemaldamine ja paigaldamine

⚠HOIATUS: Veenduge alati enne ketassaetera paigaldamist või eemaldamist, et tööriist oleks välja lülitatud ja akukassett eemaldatud. Tööriista juhuslik käivitamine võib põhjustada tõsiseid vigastusi.

⚠HOIATUS: Kasutage ketassaetera paigaldamiseks või eemaldamiseks ainult Makita mutrivõtit. Kui võtit ei kasutata, siis võib selle tulemus olla liiga kõvasti või liiga lõdvalt kinni keeratud kuuskantpesapolt ning tõsine vigastus.

⚠HOIATUS: Ärge kunagi kasutage osi ega asendage osadega, mis ei ole selle tööriistiga kaasas. Selliste osade kasutamine võib lõppeda tõsiste kehavigastustega.

⚠HOIATUS: Pärast ketassaetera paigaldamist veenduge alati, et see oleks korralikult kinnitatud. Ketassaetera lahtihaakumine võib lõppeda tõsiste kehavigastustega.

Tera eemaldamine

Ketassaetera eemaldamiseks toimige järgmiselt.

1. Lukustage kelk ülestõstetud asendisse, tõmmates ja keerates lukustustihvti lukustatud asendisse.

► **Joon.37:** 1. Lukustustihvt 2. Avatud asend
3. Lukustatud asend

2. Keerake keskmist katet kinni hoidev kuuskantpolt kuuskantvõtmega lahti. Seejärel tõstke terakaitse ja keskmine kate üles.

► **Joon.38:** 1. Kuuskantvõti 2. Kuuskantpolt
3. Keskmine kate 4. Terakaitse

3. Vajutage võlli lukustamiseks võllilukku ja keerake kuuskantpesapolt kuuskantvõtmega päripäeva lahti. Seejärel eemaldage kuuskantpesapolt, välisäärik ja ketassaetera.

► **Joon.39:** 1. Kuuskantpesapolt (vasakkeermega)
2. Välisäärik 3. Võllilukku

4. Kui siseäärik eemaldatakse, paigaldage see spindlile nii, et selle süvistatud külg jääks ketassaetera poole. Ääriku vale paigaldamise korral hakkab see hõõrduma vastu masinat.

Rõngaga tööriista puhul

(riigikohane)

► **Joon.40:** 1. Kuuskantpesapolt (vasakkeermega)
2. Välimine äärük 3. Ketassaetera
4. Rõngas 5. Sisemine äärük 6. Võll
7. Süvistatud külg

Ilma rõngata tööriista puhul

(riigikohane)

► **Joon.41:** 1. Kuuskantpesapolt (vasakkeermega)
2. Välimine äärük 3. Ketassaetera
4. Sisemine äärük 5. Võll 6. Süvistatud külg

Tera paigaldamine

⚠HOIATUS: Enne tera paigaldamist spindlile veenduge alati, et sise- ja välisääriku vahele oleks paigaldatud kasutatava tera võlliavaga kokkusobiv rõngas. Vale võlliava rõnga kasutamine võib kaasa tuua tera vale paigalduse, mis põhjustab saetera lengerdamist ja tugevat vibratsiooni, mis võib omakorda põhjustada kontrolli kaotust tööriista üle ning raskeid kehavigastusi.

⚠ETTEVAATUST: Paigaldage kindlasti ketassaetera nii, et noole suund saeteral vastaks lõiketerale. Muidu võib tulemuseks olla vigastus ja tööriista ja/või töödeldava detaili kahjustamine.

Ketassaetera võlliava läbimõõdud võivad olla erinevad olenevalt teie asukoha riigist. Kasutage õige suurusega rõngast ketassaetera kinnitamiseks võlli külge, kui ava läbimõõt ületab võlli läbimõõtu.

Ketassaetera paigaldamiseks toimige järgmiselt.

1. Paigaldage ketassaetera tera ettevaatlikult sise- ja välisäärikule. Veenduge, et ketassaetera pinnal oleva noole suund langeks kokku terakorpusel oleva noole suunaga.

► **Joon.42:** 1. Terakarbil asuv nool 2. Ketassaeteral asuv nool

2. Paigaldage välimine äärük ja kuuskantpesapolt ning keerake seejärel kuuskantpesapolt kuuskantvõtmega abil vastupäeva tugevasti kinni, surudes samal ajal võllilukku.

Rõngaga tööriista puhul

(riigikohane)

► **Joon.43:** 1. Kuuskantpesapolt (vasakkeermega)
2. Välimine äärük 3. Ketassaetera
4. Rõngas 5. Sisemine äärük 6. Võll
7. Süvistatud külg

Ilma rõngata tööriista puhul

(riigikohane)

- **Joon.44:** 1. Kuuskantpesapolt (vasakkeermega)
2. Välimine äärik 3. Ketassaetera
4. Sisemine äärik 5. Völl 6. Süvistatud külg

3. Viige terakaitse ja keskmine kate tagasi algasendisse. Seejärel keerake kuuskantpolt keskmise kate fikseerimiseks päripäeva kinni.

4. Tõmmake ja keerake lukustustihvt avatud asendisse, et vabastada kelk tõstetud asendist. Langetage kelk ja veenduge terakaitse korralikus liikumises.

⚠ETTEVAATUST: Enne lõike tegemist veenduge, et võllilukk oleks võlli vabastanud.

Tolmuimeja ühendamine

Kui soovite puhtamalt lõigata, ühendage tolmuotsik (ülemine tolmuava) esimansette 24 (valikuline tarvik) kasutades Makita tolmuimejaga.

- **Joon.45:** 1. Esimansetid 24 2. Voolik 3. Tolmuimeja

Tolmukott

⚠ETTEVAATUST: Kinnitage lõikamise ajaks tööriista külge alati tolmuott või ühendage sellega tolmuimeja, et vältida tolmuga seotud ohte.

Tolmukoti kasutamine muudab lõikamistöö puhtaks ja kergendab tolmu kogumist. Tolmukoti kinnitamiseks eemaldage tööriistalt tolmuärastusvoolik ja ühendage tolmuott tolmuotsiku (ülemise tolmuava) külge.

- **Joon.46:** 1. Tolmuärastusvoolik 2. Tolmukott
3. Tolmuotsik (ülemine tolmuava)

Kui tolmuott on umbes poolenisti täis, eemaldage see tööriista küljest ja tõmmake kinnitusvahend välja. Tühjendage tolmuott, koputades seda kergelt, et eemaldada külgedele kinnitunud osakesed, mis võivad takistada edasist tolmuotumist.

- **Joon.47:** 1. Kinnitusvahend

Töödeldava detaili fikseerimine

⚠HOIATUS: Äärmiselt tähtis on fikseerida töödeldav ese alati korrektselt õiget tüüpi kinnitusrakise või kaareprofiili stopperitega. Muidu võib tulemuseks olla tõsine vigastus ja masina ja/või töödeldava eseme kahjustamine.

⚠HOIATUS: Eerungisae tugalusest pikema eseme saagimisel tuleb eseme tugalusest üleulatav osa täies pikkuses toetada, tagades sealjuures eseme rõhtsuse. Töödeldava eseme korralik toetamine hoiab ära saaketta kiilumise ja võimalikud tagasilöögid, mis võivad kaasa tuua tõsiseid vigastusi. Ärge piirduge töödeldava detaili ainult vertikaalse ja/või horisontaalse kinnitusrakisega fikseerimisega. Õhukesed materjalid kipuvad koolduma. Toestage töödeldav detail terves ulatuses, et vältida tera pitsitamist ja võimalikku TAGASILÖÖKI.

- **Joon.48:** 1. Tugi 2. Eerungiplaat

Juhtpiirdeid

⚠HOIATUS: Enne tööriista kasutamist veenduge, et ülemine piire oleks tugevasti kinnitatud.

⚠HOIATUS: Veenduge enne kaldesaagimist selles, et masina ükski osa, eelkõige saetera, ei satuks kokkupuutesse ülemise ja alumise tõkisega käepideme täieliku langetamisel ning tõstmisel mis tahes asendis ja kelgu liigutamisel selle kogu käigutee ulatuses. Kui tööriist või saetera puudutab piiret, võib see põhjustada tagasilöögi või materjali ootamatu liikumise ning raske kehavigastuse.

Kasutage ülemisi piirdeid, et toetada töödeldavat materjali alumistest piiretest kõrgemalt. Sisestage ülemine piire alumises piirdes asuvasse auku ja kinnitage kinnituskruviga.

- **Joon.49:** 1. Ülemine piire 2. Alumine piire
3. Kinnituskrugi 4. Reguleerimiskruvi

TÄHELEPANU: Alumised piirdeid on aluse külge kinnitatud juba tehases. Ärge eemaldage alumisi piirdeid.

TÄHELEPANU: Kui ülemine piire on ikka lah-tiselt ka pärast kinnituskrugide pingutamist, keerake vahe sulgemiseks reguleerimiskruvi. Reguleerimiskruvi on tehases reguleeritud. Seda ei pea kasutama, kui see pole vajalik.

Kui te ei kasuta ülemist piiret, võite seda hoida hoidiku peal. Kasutage ülemise piirde hoidikus hoidmiseks klambrit.

- **Joon.50:** 1. Hoidik 2. Ülemine piire 3. Klamber

Vertikaalne kinnitusrakis

⚠HOIATUS: Töödeldav detail peab kõikide töötappide käigus olema kinnitusrakise abil tugevasti pöördaluse ja juhtpiirete külge kinnitatud. Kui töödeldav ese pole korralikult vastu piirdeid fikseeritud, võib ese saagimise käigus hakata liikuma ja kahjustada ketassaetera, millega võib kaasneda eseme eemalpeaiskumine, kontrolli kaotus masina üle ning rasked vigastused.

Vertikaalse kinnitusrakise saab paigaldada kas aluse vasak- või parempoolsele küljele. Paigaldage rakisevarras eerungialuse avasse.

- **Joon.51:** 1. Vertikaalne kinnitusrakis 2. Vertikaalse kinnitusrakise ava 3. Alus

- **Joon.52:** 1. Kinnitusrakise latt 2. Kinnitusrakise varras 3. Kinnituskrugi 4. Kinnitusrakise nupp

Paigutage kinnitusrakise latt, arvestades töödeldava detaili paksust ja kuju, ning fikseerige kruviga. Kui kinnituskrugi puutub kokku kelguga, paigaldage vertikaalne kinnitusrakis aluse vastasküljele. Veenduge, et käepideme lõpuni alla langetamisel ei puutuks ükski tööriista osa vastu kinnitusrakist. Kui mõni osa puutub vastu kinnitusrakist, paigutage kinnitusrakis ümber. Suruge töödeldav detail tasaselt vastu juhtpiirdeid ja pöördalust. Asetage töödeldav detail soovitud lõikeasendisse ja fikseerige, keerates kinnitusrakise nupu tugevasti kinni.

MÄRKUS: Töödeldava eseme kiireks seadmiseks keerake kinnitusrakise nuppu 90° vastupäeva, mis võimaldab kinnitusrakise nuppu üles ja alla liigutada. Töödeldava eseme kinnitamiseks pärast seadistamist keerake kinnitusrakise nuppu päripäeva.

Horisontaalne kinnitusrakis

Valikuline tarvik

▲HOIATUS: Keerake kinnitusrakise nuppu töödeldava eseme korralikuks kinnitamiseks alati päripäeva. Kui töödeldav ese pole korralikult kinnitatud, võib ese saagimise käigus hakata liikuma ja kahjustada ketassaetera, millega võib kaasneda eseme eemalepaiskumine, kontrolli kaotus masina üle ning tõsised vigastused.

▲HOIATUS: Kasutage õhukeste esemete, nagu pörandalistude saagimiseks tõkise vastas alati horisontaalset kinnitusrakist.

▲ETTEVAATUST: Saagides toorikut, mille paksus on 20 mm või alla selle, kasutage tooriku kinnitamiseks kindlasti vaheplokki.

Horisontaalse kinnitusrakise saab paigaldada kas aluse vasak- või parempoolsele küljele. 22,5° või suurema faasinurgaga eeringisaagimisel paigaldage horisontaalne kinnitusrakis küljele, mis asetseb selle punkti vastas, kuhu pöördalust kavatsetakse pöörata.

► **Joon.53:** 1. Kinnitusrakise plaat 2. Kinnitusrakise mutter 3. Kinnitusrakise nupp

Kinnitusrakise mutri vastupäeva keeramisel kinnitusrakis vabaneb ning seda saab kiiresti sisse/välja liigutada. Töödeldava eseme fikseerimiseks suruge kinnitusrakise nuppu ettepoole, kuni kinnitusrakise plaat puutub vastu töödeldavast esest, seejärel keerake kinnitusrakise nuppu päripäeva. Seejärel keerake kinnitusrakise nuppu töödeldava detaili kinnitamiseks päripäeva.

MÄRKUS: Horisontaalse kinnitusrakisega kinnititava detaili maksimaalne laius on 228 mm.

Hoidikud

▲HOIATUS: Saagimistäpsuse tagamiseks ja masina üle kontrolli kaotamise vältimiseks toestage pikad töödeldavad esemed alati nõnda, et need oleksid pöördaluse pealispinnaga tasa. Töödeldava eseme korralik toetamine hoiab ära saeketta kiulimise ja võimalikud tagasilöögid, mis võivad kaasa tuua tõsiseid vigastusi.

▲HOIATUS: Enne lõikamist tuleb alati veenduda, et hoidikud oleksid alati korralikult kruvodega kinnitatud.

Pikkade töödeldavate esemete horisontaalselt hoidmiseks on tööriista mõlemal küljel avad. Lõvendage kruvid ja pikendage hoidikuid töödeldava eseme pikkusega sobival. Seejärel pingutage kruvid.

► **Joon.54:** 1. Hoidik 2. Kruvi

Lõikamisel asetage toorik ühetasaselt vastu juhtpiirdeid.

► **Joon.55:** 1. Juhtpiire 2. Hoidik

Alumine alus

Valikuline tarvik

▲HOIATUS: Saagimistäpsuse tagamiseks ja masina üle kontrolli kaotamise vältimiseks toestage pikad töödeldavad esemed alati nõnda, et need oleksid pöördaluse pealispinnaga tasa. Töödeldava eseme korralik toetamine hoiab ära saeketta kiulimise ja võimalikud tagasilöögid, mis võivad kaasa tuua tõsiseid vigastusi.

▲HOIATUS: Enne lõikamist tuleb alati veenduda, et alumine alus oleks alati korralikult kruviga kinnitatud.

MÄRKUS: Täpsemad juhised leiata valikulise alumise aluse kasutusjuhendist.

Paigaldage valikuline alumine alus, et hoida pikki tööriistu kindlamalt. Lõvendage kruvi ja pikendage alumine alus töödeldava eseme pikkusega sobivaks. Seejärel pingutage kruvi.

► **Joon.56:** 1. Alumine alus 2. Kruvi

Lõikamise ajal pange töödeldav ese vastu juhtpiiret ja alampiire alumisele alusele.

► **Joon.57:** 1. Juhtpiire 2. Alampiire 3. Alumine alus

Alampiirde reguleerimine

Reguleerige alampiiret, kui neid ei ole juhtpiirdega joondatud.

1. Keerake alampiirdeid kinnihoidivad poldid kuuskantvõtmega lahti.

2. Pange sirge jäik latt, näiteks nelinurkne terasplekk, lamedalt juhtpiirde vastu.

3. Kui latt on lamedalt juhtpiirde vastas, paigutage alampiire nii, et alampiirde esikülj jääks lamedalt lati vastu. Pärast seda pingutage polt.

► **Joon.58:** 1. Polt 2. Alampiire 3. Juhtpiire 4. Jäik latt

TÖÖRIISTA KASUTAMINE

See tööriist on mõeldud puidust toodete saagimiseks. Sobivate Makita originaalsaeteradega saab saagida ka järgmisi materjale:

— alumiiniumtooted.

Lõikamiseks kasutatavate õigete saeketaste leidmiseks vaadake meie veebilehte või pöörduge kohaliku Makita edasimüüja poole.

▲HOIATUS: Veenduge, et saetera ei puutuks enne tööriista sisselülitamist vastu töödeldav detaili jne. Masina sisselülitamine juhul, kui saeketas on töödeldava esemega kokkupuutes, võib põhjustada tagasilööke ja tõsiseid vigastusi.

▲HOIATUS: Saetera ei tohi pärast saagimist tõsta üles enne, kui see on täielikult seiskunud. Pöörleva saetera ülestõstmine võib põhjustada tõsiseid vigastusi ja kahjustada töödeldavast esest.

▲HOIATUS: Ärge reguleerige seadet (käepideme, nupu, hoobade keeramine) saetera pöörlemise ajal. Tera pöörlemise ajal reguleerimine võib põhjustada raske kehavigastuse.

TÄHELEPANU: Enne kasutamist vabastage kindlasti lukustustihvt ja vabastage käepide langetatud asendist.

TÄHELEPANU: Äрге avaldage käepidemele lõikamisel liigset survet. Ülemäärane surve võib põhjustada mootori ülekoormust ja/või vähendada lõikamise tõhusust. Suruge käepide alla ainult sujuva lõikamise tagamiseks tarviliku jõuga ja nii, et tera kiirus oluliselt ei väheneks.

TÄHELEPANU: Lõikamiseks vajutage käepide õrnalt alla. Kui käepidet suruda liiga tugevasti või külgsuunalist jõudu rakendades, võib tera hakata vibreerima ja jätta töödeldavale detailile tække (saetäkke) ning lõike täpsus väheneb.

TÄHELEPANU: Liuglõikamisel lükake kelku peatamata õrnalt juhtpiirde poole. Kui kelk lõike teostamise ajal peatada, siis jääb töödeldavale detailile tække ning lõiketäpsus väheneb.

Presslõikamine

⚠HOIATUS: Presslõikamise ajal lukustage alati kelgu liugliikumine. Lõikamine ilma lukustamata võib põhjustada tagasilööke, mis võivad kaasa tuua tõsisid vigastusi.

Kuni 68 mm kõrguseid ja 160 mm laiuseid detaile saab saagida järgneval viisil.

► **Joon.59:** 1. Lukustustihvt

1. Suruge kelku kuni lõpuni juhtpiirde poole ja lukustage lukustustihvtiga.
2. Kinnitage töödeldav ese õiget tüüpi kinnitusrakisega.
3. Lülitage masin sisse ja jälgige, et ketassaetera ei puutuks kuskile vastu, ja enne langetamist oodake, kuni ketassaetera saavutab täiskiruse.
4. Detaili lõikamiseks lükake käepide ettevaatlikult kõige alumisse asendisse.
5. Kui lõige on tehtud, lülitage tööriist välja ja oodake ketassaetera täieliku peatumiseni, enne kui viite selle tagasi ülestõstetud asendisse.

Liuglõike (presslõike) tegemine (laiade detailide lõikamine)

⚠HOIATUS: Liugsaagimisel tõmmake kelk esmalt lõpuni enda poole ja vajutage käepide täielikult alla, seejärel lükake kelku juhtkõikise poole. Saagimist ei tohi alustada enne, kui olete kelgu täielikult enda poole tõkmanud. Kui teete liugsaagimise ilma kelku täielikult enda poole tagasi tõmbamata, võib toimuda ootamatu tagasilöökk, mis võib tekitada tõsise vigastuse.

⚠HOIATUS: Äрге mingil juhul tehke liugsaagimist kelku enda poole tõmmates. Kui tõmbate kelku saagimise ajal enda poole, võib toimuda ootamatu tagasilöökk, mis võib tekitada tõsise vigastuse.

⚠HOIATUS: Liugsaagimist ei tohi teha, kui käepide on lukustatud langetatud asendisse.

► **Joon.60:** 1. Lukustustihvt

1. Vabastage lukustustihvt nii, et kelk saaks vabalt libiseda.
2. Kinnitage töödeldav ese õiget tüüpi kinnitusrakisega.
3. Tõmmake kelk lõpuni enda poole.
4. Lülitage masin sisse ja jälgige, et saetera ei puutuks kuskile vastu, ja oodake, kuni saetera saavutab täiskiruse.
5. Vajutage käepide alla ja lükake kelku juhtkõikise poole ning läbi töödeldava eseme.
6. Kui lõige on tehtud, lülitage tööriist välja ja oodake saetera täieliku peatumiseni, enne kui viite selle tagasi ülestõstetud asendisse.

Kaldlõikamine

Juhinduge lõigust „Eerunginurga reguleerimine”.

Kaldlõikamine

⚠HOIATUS: Kui olete saeketta fassettlõikamiseks valmis seadnud, veenduge enne masina kasutamist selles, et kelgu ja saeketta liikumisteevõrk oleks kogu kavandatava saagimise ulatuses vaba. Kelgu või saeketta liikumise katkestamine saagimise käigus võib põhjustada ootamatu tagasilöögi, mis võib kaasa tuua tõsise vigastuse.

⚠HOIATUS: Hoidke käed fassettlõikamise ajal saetera teel eemal. Saetera nurk võib saetera tegelikku teekonda saagimise käigus kasutaja eest varjata, kokkupuude saeteraga põhjustab tõsise vigastuse.

⚠HOIATUS: Saetera ei tohiks tõsta enne selle täielikku seiskumist. Fassettlõikamise käigus võib maha saetud klots jääda toetuma vastu saetera külge. Kui saetera tõstetakse üles enne selle seiskumist, võib tera haarata klotsi kaasa ja paisata eemale, purustades selle ning tekitades tõsiste vigastuste ohu.

TÄHELEPANU: Käepideme alla vajutamisel avaldage saekettaga paralleelset survet. Kui pöördalusele püstjalt survet avaldada või kui surve suunda saagimise ajal muuta, siis väheneb saagimise täpsus.

► **Joon.61**

1. Eemaldage küljelt, kus te tahate kelku kallutada, ülemine piire.
2. Vabastage lukustustihvt.
3. Reguleerige kaldenurka jaotises „Kaldenurga reguleerimine” kirjeldatud viisil. Seejärel pingutage nappu.
4. Fikseerige töödeldav detail kinnitusrakise abil.
5. Tõmmake kelk lõpuni enda poole.
6. Lülitage masin sisse ja jälgige, et saeketas ei puutuks kuskile vastu, ja oodake, kuni saeketas saavutab täiskiruse.
7. Langetage käepide madalaimasse asendisse, avaldades samal ajal teraga paralleelset survet, ning lükake kelku töödeldava detaili lõikamiseks juhtpiirde suunas.
8. Kui lõige on tehtud, lülitage tööriist välja ja oodake tera täieliku peatumiseni, enne kui viite selle tagasi ülestõstetud asendisse.

Liitlõikamine

Liitlõikamine kujutab endast töödeldava detaili samaaegset kaldlõikamist ja eeringunurga lõikamist. Liitsaagimist saab teha tabelis näidatud nurga all.

Eeringunurk	Fassettnurk
Vasak ja parem 0° - 45°	Vasak ja parem 0° - 45°

Liitlõike tegemisel juhinduge lõikudest „Presslõikamine”, „Liuglõike (presslõike) tegemine”, „Kaldlõikamine” ja „Fassettlõikamine”.

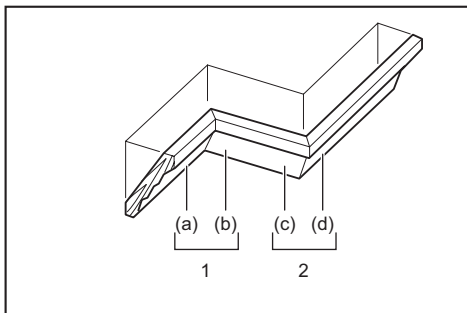
Kaare- ja nõgusprofiili freesimine

Kaare- ja nõgusprofiile saab freesida liuglõike eeringusaaga, kui profiilid on asetatud eeringualusele lapiti.

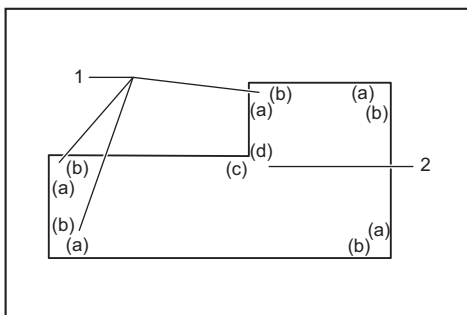
Kaare vigurprofiili lõikamiseks on kaks ja nõgusprofiili lõikamiseks üks võimalus; 52/38° kaareprofiili lõikamine, 45° kaareprofiili lõikamine ning 45° nõgusprofiili lõikamine.

► **Joon.62:** 1. 52/38° kaareprofiil 2. 45° kaareprofiil 3. 45° nõgusprofiil

On olemas kaare- ja nõgusprofiilide ühendused, mis sobivad 90° sisenurkadesse (a) ja (b) joonisel ja 90° välisnurkadesse (c) ja (d) joonisel.



1. Sisenurk 2. Välisnurk



1. Sisenurk 2. Välisnurk

Mõõtmine

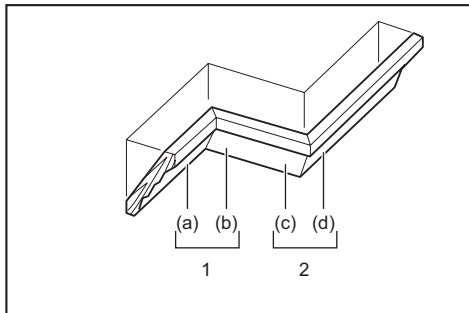
Mõõtkte seina laiust ja reguleerige selle järgi töödeldava detaili laiust. Veenduge alati, et töödeldava detaili seinapoolse serva laius oleks sama nagu seina pikkus.

► **Joon.63:** 1. Töödeldav detail 2. Seina laius 3. Töödeldava detaili laius 4. Seinapoolne serv

Kasutage proovisaagimiseks mitut tükki, et kontrollida saenurki.

Kumer- ja nõgusprofiilide lõikamisel seadke fassettnurk ja eeringunurk tabeli (A) järgi ning seadke profiilid tabeli (B) järgi saekorpuse ülemisele pinnale.

Vasakpoolse fassettlõike korral



1. Sisenurk 2. Välisnurk

Tabel (A)

-	Profiili tähis joonisel	Fassettnurk		Eeringunurk	
		52/38° tüüp	45° tüüp	52/38° tüüp	45° tüüp
Sisenurga puhul	(a)	Vasak 33,9°	Vasak 30°	Parem 31,6°	Parem 35,3°
	(b)			Vasak 31,6°	Vasak 35,3°
Välisnurga puhul	(c)			Parem 31,6°	Parem 35,3°
	(d)				

Tabel (B)

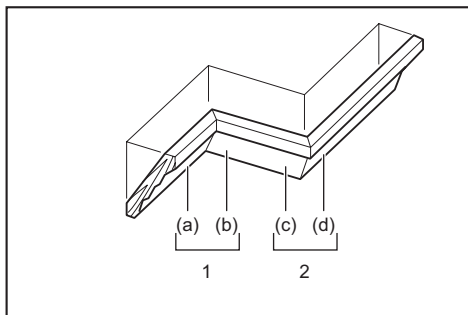
-	Profiili tähis joonisel	Profiili serv vastu juhtpiiret	Lõpetatud detail
Sisenurga puhul	(a)	Laepoolne serv peab olema vastu juhtpiiret.	Lõpetatud detail peab jääma terast vasakule.
	(b)	Seinapoolne serv peab olema vastu juhtpiiret.	
Välisnurga puhul	(c)	Laepoolne serv peab olema vastu juhtpiiret.	Lõpetatud detail peab jääma terast paremale.
	(d)	Laepoolne serv peab olema vastu juhtpiiret.	

Nt:

52/38° kaareprofiili lõikamine asendis (a) ülaltoodud joonisel:

- Kallutage ja kinnitage fassettnurga seadistuseks 33,9° VASAKULE.
- Reguleerige ja kinnitage eeringunurga seadistuseks 31,6° PAREMALE.
- Asetage kaareprofiil tagumise laiema (varjatud) küljega eeringuplaadile, nii et LAEPOOLNE SERV jääks sae juhtpiirde vastu.
- Töödeldud detail jääb pärast saagimist alati terast VASAKULE poole.

Parempoolne fassettlõikamine



1. Sisenurk 2. Välisnurk

Tabel (A)

–	Profili tähis joonisel	Fassettnurk		Eerunginurk	
		52/38° tüüp	45° tüüp	52/38° tüüp	45° tüüp
Sisenurga puhul	(a)	Parem 33,9°	Parem 30°	Parem 31,6°	Parem 35,3°
	(b)			Vasak 31,6°	Vasak 35,3°
Välisnurga puhul	(c)			Parem 31,6°	Parem 35,3°
	(d)				

Tabel (B)

–	Profili tähis joonisel	Profili serv vastu juhtpiiret	Lõpetatud detail
Sisenurga puhul	(a)	Seinapoolne serv peab olema vastu juhtpiiret.	Lõpetatud detail peab jääma terast paremale.
	(b)	Laepoolne serv peab olema vastu juhtpiiret.	
Välisnurga puhul	(c)	Seinapoolne serv peab olema vastu juhtpiiret.	Lõpetatud detail peab jääma terast vasakule.
	(d)	Seinapoolne serv peab olema vastu juhtpiiret.	

Nt: 52/38° kaareprofiili lõikamine asendis (a) ülaltoodud joonisel:

- Kallutage ja kinnitage fassettnurga seadistuseks 33,9° PAREMALE.
- Reguleerige ja kinnitage eerunginurga seadistuseks 31,6° PAREMALE.
- Asetage kaareprofiil tagumise laiem (varjatud) küljega pöördalusele, nii et SEINAPOLNE SERV jääks sae juhtpiirde vastu.
- Töödeldud detail jääb pärast saagimist alati terast PAREMALE poole.

Kaareprofiili stopper

Valikuline tarvik

Kaareprofiili stopperid võimaldavad lõigata kaareprofiili lihtsamalt ilma saetera kallutamata. Paigaldage need joonistel näidatud viisil pöördalusele.

Parempoolne 45° eerunginurk

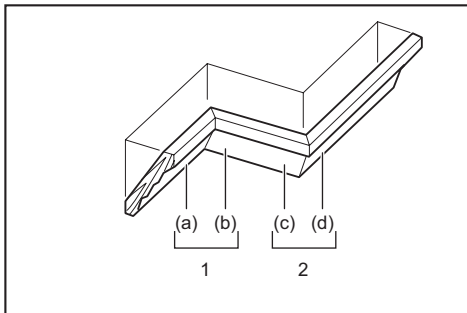
► **Joon.64:** 1. Kaareprofiili stopper L 2. Kaareprofiili stopper R 3. Pöördalus 4. Juhtpiire

Vasakpoolne 45° eerunginurk

► **Joon.65:** 1. Kaareprofiili stopper L 2. Kaareprofiili stopper R 3. Pöördalus 4. Juhtpiire

Paigutage kaareprofiili SEINAPOLNE SERV vastu juhtpiiret ja LAEPOOLNE SERV vastu kaareprofiili stoppereid, nagu on joonisel näidatud. Reguleerige kaareprofiili stoppereid, arvestades kaareprofiili suurus. Pingutage kruvisid ja fikseerige kaareprofiili stopperid. Eerunginurgad leiate tabelist (C).

► **Joon.66:** 1. Juhtpiire 2. Kaareprofiili stopper



1. Sisenurk 2. Välisnurk

Tabel (C)

–	Profili tähis joonisel	Eerunginurk	Lõpetatud detail
Sisenurga puhul	(a)	Parem 45°	Säilitage tera parem külg
	(b)	Vasak 45°	Säilitage tera vasak külg
Välisnurga puhul	(c)		Säilitage tera parem külg
	(d)	Parem 45°	Säilitage tera vasak külg

Alumiiniumprofiilide lõikamine

► **Joon.67:** 1. Kinnitusrakis 2. Vaheklots 3. Juhtpiire 4. Alumiiniumprofiil 5. Vaheklots

Alumiiniumprofiilide kinnitamisel kasutage puidust klotse või puidujäätmeid, nagu on näidatud joonisel, et vältida alumiiniumi deformeermist. Alumiiniumi lõikamisel kasutage määrdeaineid, et vältida alumiiniumipuru kogunemist ketassaeterale.

⚠ HOIATUS: Ärge üritage saagida pakse ega ümaraid alumiiniumprofiile. Paksude või ümarate alumiiniumprofiilide fikseerimine võib osutada keerukaks, mistõttu need võivad saagimise käigus lahti tulla, põhjustades kontrolli kaotust sae üle ja tõsisid vigastusi.

Soone lõikamine

⚠HOIATUS: Ärge tehke niisugust saagimist laiemat tüüpi saeketta või soonesaagimiskettaga. Soonesaagimise katsed laiemal saeketta või soonesaagimiskettaga võivad kaasa tuua ootamatuid saagimistulemusi ja tagasilööke, mis võivad põhjustada tõsiseid vigastusi.

⚠HOIATUS: Kui teete teistsugust lõiget kui soonelõikamist, siis tooge stopperlatt kindlasti tagasi algasendisse. Kui stopperlatt on vales asendis, võivad saagimiskatsed kaasa tuua ootamatuid tulemusi ja tagasilööke, mis võivad põhjustada tõsiseid vigastusi.

Soonesaamise lõike puhul tegutsege järgmiselt:

1. Reguleerige reguleerimiskruvuga ketassaetera alumist piirasendit ja piirake stopperlatiga saetera lõike-sügavust. Vaadake lõiku „Stopperlatt“.
2. Saagige pärast ketassaetera alumise piirasendi reguleerimist töödeldavasse detajli laiuti paralleelsed sooned, kasutades liugsaagimist (press-saagimist).
▶ **Joon.68:** 1. Lõigake saega sooned.
3. Seejärel eemaldage peitliga soontevaheline materjal.

Tööriista kandmine

Enne tööriista teisaldamist tuleb eemaldada akukassett ja fikseerida kõik eeringisae liikuvad osad. Kontrollige alati järgmist.

- Akukassett on eemaldatud.
- Kelk on 0° fassetnurga all ja fikseeritud.
- Kelk on langetatud ja lukustatud.
- Kelk on libistatud lõpuni vastu juhtpiirdeid ja lukustatud.
- Pöördalus on lõpuni parema eeringinurga asendis ja fikseeritud.
- Hoidikud on ära pandud ja fikseeritud.

Tööriista kandmisel hoidke kinni tööriista aluse kummaski küljest.

▶ **Joon.69**

⚠HOIATUS: Kelgu tõstmise lukustustihvt on mõeldud ainult tööriista kandmiseks ja hoiale-paneukuks, mitte lõikamistöodeks. Lukustustihvti kasutamine saagimistöode ajal võib kaasa tuua ketassaetera ootamatu nihkumise, põhjustades tagasilöögi ja tõsise vigastuse.

⚠ETTEVAATUST: Enne tööriista kandmist fikseerige alati kõik liikuvad osad. Kui masina osad peaksid selle kandmise ajal nihkuma või libisema, võib see kaasa tuua tasakaalu kaotuse ja põhjustada vigastuse.

⚠ETTEVAATUST: Veenduge, et kelgu tõstmine oleks selle allosas korralikult lukustustihvtiga lukustatud. Kui lukustustihvt ei ole korralikult rakedunud, võib kelk ootamatult üles hüpata ja tekitada kehavigastusi.

JUHTMETA AKTIVEERIMISE FUNKTSIOON

Mida võimaldab juhtmeta aktiveerimise funktsioon

Juhtmeta aktiveerimise funktsioon võimaldab puhast ja mugavat töötamist. Ühendades toetatud tolmuimeja tööriistaga, saate käivitada tolmuimeja automaatselt koos tööriista lüliti toimimisega.

▶ **Joon.70**

Juhtmeta aktiveerimise funktsiooni kasutamiseks valmistage ette alljärgnev:

- juhtmeta seade (valikuline tarvik);
- tolmuimeja, mis toetab juhtmeta aktiveerimise funktsiooni.

Alljärgnevalt on toodud juhtmeta aktiveerimise funktsiooni seadistamise ülevaade. Üksikasjalikuma teabe saamiseks vaadake konkreetseid jaotisi.

1. Juhtmeta seadme paigaldamine
2. Tööriista registreerimine tolmuimeja jaoks
3. Juhtmeta aktiveerimise funktsiooni käivitamine

Juhtmeta seadme paigaldamine

Valikuline tarvik

⚠ETTEVAATUST: Juhtmeta seadme paigaldamisel asetage tööriist tasasele ja kindlale pinnale.

TÄHELEPANU: Enne juhtmeta seadme paigaldamist puhastage tööriist tolmust ja mustusest. Kui tolmu ja mustus satuvad juhtmeta seadme pesse, siis võib esineda talitushäireid.

TÄHELEPANU: Staatika põhjustatud talitushäirete vältimiseks puudutage enne juhtmeta seadme ülestõstmist staatikat eemaldavat materjali, näiteks tööriista metallist osa.

TÄHELEPANU: Juhtmeta seadme paigaldamisel veenduge alati, et juhtmeta seade oleks sisestatud õiges suunas ja kaas oleks korralikult suletud.

1. Avage tööriista kaas joonisel näidatud viisil.
▶ **Joon.71:** 1. Kaas
2. Sisestage juhtmeta seade pesasse ja sulgege kaas.

Juhtmeta seadme sisestamisel joondage väljaulatuvad osad pesa süvendatud osadega.

- ▶ **Joon.72:** 1. Juhtmeta seade 2. Väljaulatuv osa 3. Kaas 4. Süvendatud osa

Juhtmeta seadme eemaldamisel avage kaas aeglaselt. Kaane tagaküljel asuvad konksud tõstavad juhtmeta seadme koos kaanega välja.

- ▶ **Joon.73:** 1. Juhtmeta seade 2. Konks 3. Kaas

Pärast eemaldamist hoidke juhtmeta seadet komplekti kuuluvas karbis või staatikavabas konteineris.

TÄHELEPANU: Juhtmeta seadme eemaldamisel kasutage alati kaane tagaküljel asuvaid konkse. Kui konksud ei haaku juhtmeta seadmega, sulgege kaas täielikult ja avage aeglaselt uuesti.

Tööriista registreerimine tolmuimeja jaoks

MÄRKUS: Registreerimiseks on vajalik Makita tolmuimeja, mis toetaks juhtmeta aktiveerimise funktsiooni.

MÄRKUS: Enne tööriista registreerimist tuleb juhtmeta seade tööriista paigaldada.

MÄRKUS: Vältige tööriista sidumisel järgmiste lülite sisselülitamist:

- tööriista lüliti päästik
- tööriista vaakumlüliti
- tolmuimeja toitelüliti

MÄRKUS: Vt ka tolmuimeja kasutusjuhendit.

Kui te soovite tolmuimeja koos tööriista lüliti toimimisega aktiveerida, siis peate kõigepealt lõpetama tööriista registreerimise.

1. Paigaldage patareid nii tolmuimejasse kui ka tööriista.
2. Seadke tolmuimeja ooterežiimi lüliti asendisse „AUTO”.
► **Joon.74:** 1. Ooterežiimi lüliti

3. Vajutage tolmuimejal juhtmeta aktiveerimise nuppu ja hoidke seda 3 sekundit all, kuni juhtmeta aktiveerimise tuli hakkab roheliselt vilkuma. Seejärel vajutage samamoodi tööriista juhtmeta aktiveerimise nuppu.

- **Joon.75:** 1. Juhtmeta aktiveerimise nupp
2. Juhtmeta aktiveerimise tuli

Kui tolmuimeja ja tööriist on edukalt seotud, siis juhtmeta aktiveerimise tuled süttivad 2 sekundiks roheliselt ja hakkavad seejärel siniselt vilkuma.

MÄRKUS: Juhtmeta aktiveerimise lambid lõpetavad roheliselt vilkumise 20 sekundi pärast. Vajutage juhtmeta aktiveerimise nuppu tööriistal, kui puhastajal vilgub juhtmeta aktiveerimise tuli. Kui juhtmeta aktiveerimise tuli ei vilgu roheliselt, siis vajutage korra juhtmeta aktiveerimise nuppu ja hoidke seda uuesti all.

MÄRKUS: Sidudes kahte või enamat tööriista ühe tolmuimejaga, lõpetage tööriistade registreerimine ükshaaval.

Juhtmeta aktiveerimise funktsiooni käivitamine

MÄRKUS: Enne juhtmeta aktiveerimist tuleb lõpetada tööriista tolmuimejaga sidumine.

MÄRKUS: Vt ka tolmuimeja kasutusjuhendit.

Pärast tööriista sidumist tolmuimejaga käivitub tolmuimeja automaatselt tööriista lülite abil. Tõmmake tolmuimeja töötamise ajal tööriista lüliti päästikut. Tolmuimeja hakkab tööle ka siis, kui vajutate tööriista tolmuimeja nuppu ükskõik millise lõikamise ajal.

► **Joon.76**

1. Paigaldage juhtmeta seade tööriista sisse.
2. Ühendage tolmuimeja voolik tööriistaga.

► **Joon.77**

3. Seadke tolmuimeja ooterežiimi lüliti asendisse „AUTO”.

► **Joon.78:** 1. Ooterežiimi lüliti

4. Vajutage korraks tööriistal olevat juhtmeta aktiveerimise nuppu. Juhtmeta aktiveerimise tuli vilgub siniselt.

- **Joon.79:** 1. Juhtmeta aktiveerimise nupp
2. Juhtmeta aktiveerimise tuli

5. Tõmmake tööriista lüliti päästikut. Kontrollige, kas tolmuimeja lüliti päästik töötab tõmbamise ajal.

6. Vajutage tolmuimeja kasutamiseks tolmuimeja nuppu. Kontrollige, kas juhtmeta aktiveerimise tuli süttib siniselt ja tolmuimeja töötab, kuni te nuppu uuesti vajutate.

7. Tolmuimeja töö lõpetamiseks vabastage lüliti päästik või vajutage uuesti tolmuimeja nuppu. Tolmuimeja lakkab töötamast mõni sekund pärast lüliti kasutamist ja tuli vilgub siniselt.

MÄRKUS: Lülituse olekut (tolmuimeja sisse/välja lülitamine) saab näha juhtmeta aktiveerimise tulest. Üksikasju leiate jaotisest, kus kirjeldatakse juhtmeta aktiveerimise tule olekut.

8. Tolmuimeja juhtmeta aktiveerimise peatamiseks vajutage tööriista juhtmeta aktiveerimise nuppu.

MÄRKUS: Tööriista juhtmeta aktiveerimise tuli lõpetab siniselt vilkumise, kui 2 tunni jooksul ei tehta ühtegi toimingut. Sellisel juhul seadke tolmuimeja ooterežiimi lüliti asendisse „AUTO” ja vajutage tööriistal uuesti juhtmeta aktiveerimise nuppu.

MÄRKUS: Tolmuimeja alustab/peatub viivitusega. Kui tolmuimeja tuvastab tööriista lüliti toimimise, esineb viivitus.







MÄRKUS: Juhtmeta seadme edastamise kaugus võib olenevalt asukohast ja ümbritsevatest oludest erineda.

MÄRKUS: Kui kaks või enam tööriista seotakse ühe tolmuimejaga, siis võib tolmuimeja hakata tööle isegi siis, kui te pole lüliti päästikut tõmmanud või tolmuimeja nuppu sisse lülitanud, sest juhtmeta aktiveerimise funktsiooni kasutab mõni teine kasutaja.

Juhtmeta aktiveerimise tule oleku kirjeldus

► Joon.80: 1. Juhtmeta aktiveerimise tuli

Juhtmeta aktiveerimise tuli näitab juhtmeta aktiveerimise funktsiooni olekut. Tule oleku tähendust näete allolevast tabelist.

Olek	Juhtmeta aktiveerimise tuli				Kirjeldus
	Värv	 Põleb	 Vilgub	Kestus	
Ooteaeg	Sinine			2 tundi	Tolmuimeja juhtmeta aktiveerimine on saadaval. Tuli lülitub automaatselt välja, kui 2 tunni jooksul ei tehta ühtegi toimingut.
				Kui tööriist on käivitatud.	Tolmuimeja juhtmeta aktiveerimine on saadaval ja tööriist on käivitatud.
Tööriista registreerimine	Roheline			20 sekundit	Valmis tööriista registreerimiseks. Tolmuimeja poolse registreerimise ootamine.
				2 sekundit	Tööriista registreerimine on lõpetatud. Juhtmeta aktiveerimise tuli hakkab siniselt vilkuma.
Tööriista registreerimise tühistamine	Punane			20 sekundit	Valmis tööriista registreerimise tühistamiseks. Tolmuimeja poolse tühistamise ootamine.
				2 sekundit	Tööriista registreerimise tühistamine on lõpetatud. Juhtmeta aktiveerimise tuli hakkab siniselt vilkuma.
Muu	Punane			3 sekundit	Juhtmeta seade on ühendatud toitega ja juhtmeta aktiveerimise funktsioon käivitub.
	Väljas	-		-	Tolmuimeja juhtmeta aktiveerimine on peatatud.

Tööriista registreerimise tühistamine tolmuimeja jaoks

Tööriista registreerimise tühistamiseks tolmuimeja jaoks tuleb toimida alljärgnevalt.

1. Paigaldage patareid nii tolmuimejasse kui ka tööriista.
2. Seadke tolmuimeja ooterežiimi lüliti asendisse „AUTO”.

► Joon.81: 1. Ooterežiimi lüliti

3. Vajutage tolmuimejal juhtmeta aktiveerimise nuppu ja hoidke seda 6 sekundit all. Juhtmeta aktiveerimise tuli vilgub roheliselt ja muutub seejärel punaseks. Seejärel vajutage samamoodi tööriista juhtmeta aktiveerimise nuppu.

- Joon.82: 1. Juhtmeta aktiveerimise nupp
2. Juhtmeta aktiveerimise tuli

Kui tolmuimeja ja tööriist on edukalt lahutatud, siis juhtmeta aktiveerimise tuled süttivad 2 sekundiks punaselt ja seejärel hakkavad need siniselt vilkuma.

MÄRKUS: Juhtmeta aktiveerimise lambid lõpetavad punaselt vilkumise 20 sekundi pärast. Vajutage juhtmeta aktiveerimise nuppu tööriistal, kui puhastajal vilgub juhtmeta aktiveerimise tuli. Kui juhtmeta aktiveerimise tuli ei vilgu punaselt, siis vajutage korra juhtmeta aktiveerimise nuppu ja hoidke seda uuesti all.

Juhtmeta aktiveerimise funktsiooni veatsing

Enne remonditöökotta pöördumist kontrollige niidukit ise. Ärge üritage niidukit lahti võtta, kui leiate probleemi, mida kasutusjuhendis ei kirjeldata. Selle asemel pöörduge Makita volitatud teeninduskeskusesse, kus kasutatakse remon-
timisel alati Makita tagavaraosi.

Tõrge	Võimalik põhjus (riike)	Lahendus
Juhtmeta aktiveerimise tuli ei põle / ei vilgu.	Tööriista sisse ei ole juhtmeta seadet paigaldatud. Juhtmeta seade on tööriista sisse valesti paigaldatud.	Paigaldage juhtmeta seade õigesti.
	Juhtmeta seadme klemm ja/või pesa on määrdunud.	Pühkige juhtmeta seadme klemmiit ettevaatlikult tolm ja mustus ning puhastage pesa.
	Tööriistal olevat juhtmeta aktiveerimise nuppu ei ole vajutatud.	Vajutage korraks tööriistal olevat juhtmeta aktiveerimise nuppu.
	Tolmuimeja ooterežiimi lüliti ei ole seatud asendisse „AUTO“.	Seadke tolmuimeja ooterežiimi lüliti asendisse „AUTO“.
	Puudub toiteallikas	Varustage tööriist ja tolmuimeja toiteallikaga.
Tööriista registreerimist / tööriista registreerimise tühistamist ei õnnestud edukalt lõpetada.	Tööriista sisse ei ole juhtmeta seadet paigaldatud. Juhtmeta seade on tööriista sisse valesti paigaldatud.	Paigaldage juhtmeta seade õigesti.
	Juhtmeta seadme klemm ja/või pesa on määrdunud.	Pühkige juhtmeta seadme klemmiit ettevaatlikult tolm ja mustus ning puhastage pesa.
	Tolmuimeja ooterežiimi lüliti ei ole seatud asendisse „AUTO“.	Seadke tolmuimeja ooterežiimi lüliti asendisse „AUTO“.
	Puudub toiteallikas	Varustage tööriist ja tolmuimeja toiteallikaga.
	Vale kasutamine	Vajutage korraks juhtmeta aktiveerimise nuppu ja tehke tööriista registreerimise/tühistamise toimingud uuesti.
	Tööriist ja tolmuimeja asuvad teineteisest liiga kaugel (on edastamise ulatusest väljas).	Viige tööriist ja tolmuimeja üksteisele lähemale. Maksimaalne ülekandekaugus on umbes 10 m, kuid see võib olenevalt asjaoludest varieeruda.
	Enne tööriista sidumise/lahtisidumise lõpetamist; - tööriista lüliti päästikut on tõmmatud või; - tööriista tolmuimeja nupp on sisse lülitatud või; - tolmuimeja toitenupp on sisse lülitatud.	Vajutage korraks juhtmeta aktiveerimise nuppu ja tehke tööriista registreerimise/tühistamise toimingud uuesti.
	Tööriista või tolmuimeja sidumistoimingud on lõpetamata.	Tehke samal ajal nii tööriista kui ka tolmuimeja registreerimistoimingud.
	Teiste seadmete tekitatud raadiohäiring, mis tekitab väga intensiivseid raadiolaineid.	Hoidke tööriista ja tolmuimejat WiFi-seadmetest ja mikrolaineahjudest eemal.
	Tolmuimeja ei tööta tööriista lüliti kaudu.	Tööriista sisse ei ole juhtmeta seadet paigaldatud. Juhtmeta seade on tööriista sisse valesti paigaldatud.
Juhtmeta seadme klemm ja/või pesa on määrdunud.		Pühkige juhtmeta seadme klemmiit ettevaatlikult tolm ja mustus ning puhastage pesa.
Tööriistal olevat juhtmeta aktiveerimise nuppu ei ole vajutatud.		Vajutage korraks juhtmeta aktiveerimise nuppu ja veenduge, et juhtmeta aktiveerimise tuli vilguks siniselt.
Tolmuimeja ooterežiimi lüliti ei ole seatud asendisse „AUTO“.		Seadke tolmuimeja ooterežiimi lüliti asendisse „AUTO“.
Tolmuimejaga on seotud üle 10 tööriista.		Tehke registreerimistoiming uuesti. Kui tolmuimejaga on seotud üle 10 tööriista, siis kõige esimesena registreeritud tööriista sidumine tühistatakse automaatselt.
Tolmuimejal ei õnnestunud tööriista edukalt siduda.		Tööriist tuleb uuesti siduda.
Tolmuimeja kustutas kõik registreeritud tööriistad.		Registreerige tööriist uuesti.
Puudub toiteallikas		Varustage tööriist ja tolmuimeja toiteallikaga.
Tööriist ja tolmuimeja asuvad teineteisest liiga kaugel (on edastamise ulatusest väljas).		Viige tööriist ja tolmuimeja üksteisele lähemale. Maksimaalne ülekandekaugus on umbes 10 m, kuid see võib olenevalt asjaoludest varieeruda.
Teiste seadmete tekitatud raadiohäiring, mis tekitab väga intensiivseid raadiolaineid.		Hoidke tööriista ja tolmuimejat WiFi-seadmetest ja mikrolaineahjudest eemal.
Tolmuimeja töötab, kui tööriista lüliti ei ole aktiveeritud.	Teised kasutajad kasutavad oma tööriistaga tolmuimeja juhtmeta aktiveerimist.	Lülitage teiste tööriistade juhtmeta aktiveerimise nupp välja või tühistage teiste tööriistade registreerimine.

HOOLDUS

⚠️HOIATUS: Kandke alati enne kontroll- või hooldustoimingute tegemist hoolt selle eest, et tööriist oleks välja lülitatud ja akukassett korpuselt küljest eemaldatud. Kui akukassett ei ole eemaldatud ja masin ei ole välja lülitatud, võib see lõppeda ootamatust käivitumisest põhjustatud tõsise vigastusega.

⚠️HOIATUS: Parima lõikamistulemuse ja ohutuma töö huvides veenduge alati, et ketassaetera oleks terav ja puhas. Nüri ja/või määrdunud saeketaga saagimine võib kaasa tuua tagasilööke ja põhjustada tõsiseid vigastusi.

⚠️ETTEVAATUST: Enne kontroll- või hooldustoimingute tegemist kandke alati hoolt selle eest, et terakaitse suletaks algsele asendisse. Puhastamise ajal ärge kinnitage terakaitset kunagi klambriga ega siduge seda avatud asendisse. Paljastatud tera kasutamine võib põhjustada kehavigastusi.

TÄHELEPANU: Ärge kunagi kasutage bensiini, vedelidit, alkoholi ega midagi muud sarnast. Selle tulemuseks võib olla luitumine, deformatsioon või pragunemine.

Toote OHUTUSE ja TÖÖKINDLUSE tagamiseks tuleb vajalikud remonttööd ning muud hooldus- ja reguleerimistööd lasta teha Makita volitatud teeninduskeskustes või tehase teeninduskeskustes. Alati tuleb kasutada Makita varuosi.

Lõikenurga reguleerimine

See tööriist on tehases hoolikalt reguleeritud ja joondatud, kuid rohmakas käsitsemine võib olla seadistusi mõjutanud. Kui tööriist pole korralikult joondatud, siis toimige järgmiselt:

Eerunginurk

Langetage käepide madalaimasse asendisse ja lukustage lukustustihvtiga. Lükake kelku juhtpiire poole. Pöörake käepidet vastupäeva ja laske pöördalusel vabastushoova abil positiivse seiskamise funktsiooniks valmis olla. Seejärel keerake osuteid ja eerunginurga skaalat kinni hoidvad kruvid lahti.

► **Joon.83:** 1. Käepide 2. Lukustushoob 3. Osutil olev kruvi 4. Eerunginurga skaalal olevad kruvid 5. Eerunginurga skaala

Seadke pöördalus sundasendil funktsiooni abil 0° asendisse. Seadke ketassaetera külg kolmnurkse joonlaua või vinkli abil risti juhtpiirde esiküljega. Vinklit paigal hoides pingutage eerunginurga skaala kruvisid. Seejärel viige osutil (nii parem- kui ka vasakpoolne) kohakuti eerunginurga skaala 0° asendiga ja pingutage osutil olev kruvi.

► **Joon.84:** 1. Kolmnurkjoonlaud 2. Osutil

Fassettnurk

0° kaldenurk

Suruge kelku juhtpiire poole ja lukustage liugliikumine lukustustihvtiga. Langetage kelk madalaimasse asendisse ja lukustage lukustustihvtiga. Ketassaetera paremale kallutamiseks pöörake nuppu vastupäeva ja keerake 0° reguleerimispolტი kaks või kolm pööret vastupäeva.

► **Joon.85:** 1. Nupp 2. 0° reguleerimispolტი 3. Osutil olev kruvi

Seadke ketassaetera serv ettevaatlikult pöördalusel pealispinnaga risti, kasutades kolmnurkjoonlauda, nurgikut vms, keerates 0° reguleerimispolტი päripäeva. Seejärel pingutage tugevalt nuppu, et fikseerida 0° nurk.

► **Joon.86:** 1. Kolmnurkjoonlaud 2. Saetera 3. Pöördalusel pealmine pind

Kontrollige veel kord, kas ketassaetera külg on pöördalusel pinnaga risti. Lõdvendage osutil asuvat kruvi. Viige osuti kohakuti kaldenurga skaala 0° asendiga ja pingutage seejärel kruvi.

45° kaldenurk

TÄHELEPANU: Enne 45° kaldenurga reguleerimist lõpetage 0° kaldenurga reguleerimine.

Lõdvendage nupp ja kallutage kelk täielikult küljele, mida soovite kontrollida. Kontrollige, kas osuti näitab kaldenurga skaalal 45° positsiooni.

► **Joon.87:** 1. Nupp

Kui osuti ei näita 45° positsiooni, joondate see 45° asendiga, keerates aluse vastasküljel asuvat kaldenurga skaala reguleerimispolტი.

► **Joon.88:** 1. Vasak 45° reguleerimispolტი 2. Parem 45° reguleerimispolტი

Lambi läätse puhastamine

⚠️ETTEVAATUST: Enne lambi läätse puhastamist eemaldage alati ketassaetera.

TÄHELEPANU: Ärge eemaldage kruvi, mis läätse kinni hoiab. Kui läätse ei tule välja, lõdvendage kruvi mõnevõrra veel.

TÄHELEPANU: Pühkige lambi läätse kuiva lapiga puhtaks. Olge seda tehase ettevaatlik, et lambi läätse mitte kriimustada, sest muidu võib valgustus väheneda.

TÄHELEPANU: Ärge kasutage lambiklaasi puhastamiseks lahusteid ega naftapõhiseid puhastusaineid.

LED-tule läätse määrdumisel muutub kiir halvasti nähtavaks. Puhastage läätse regulaarselt. Eemaldage akukassett. Lõdvendage kruvi ja tõmmake läätse välja. Puhastage läätse õrnalt niiske pehme lapiga.

► **Joon.89:** 1. Kruvi 2. Lääts

Pärast kasutamist

Pärast kasutamist pühkige tööriistale kogunenud laastud ja tolm riidelapi vms-ga ära. Hoidke terakaitse lõigus „Terakaitse” toodud juhtnõore järgides puhtana. Rooste vältimiseks määrige tööriista libisevaid detaile masinaõliga.

VALIKULISED TARVIKUD

⚠️HOIATUS: Need Makita lisatarvikud on mõeldud kasutamiseks koos juhendis käsitletava Makita tööriistaga. Muude lisatarvikute kasutamine võib lõppeda tõsise vigastusega.

⚠️HOIATUS: Kasutage Makita lisatarvikuid ainult otstarbekohaselt. Lisatarviku väärkasutamine võib lõppeda tõsise vigastusega.

Saate vajaduse korral kohalikust Makita teeninduskeskusest lisateavet nende tarvikute kohta.

- Karbiidotsaga saeterad
- Vertikaalne kinnitusrakis
- Horisontaalne kinnitusrakis
- Kaareprofiili stopperikomplekt
- Tolmukott
- Kolmnurkjoonlaud
- Kuuskantvõti
- Juhtmeta seade
- Tugilaua komplekt
- Alumine alus
- Makita algupärane aku ja laadija

MÄRKUS: Mõned nimekirjas loetletud tarvikud võivad kuuluda standardvarustusse ning need on lisatud tööriista pakendisse. Need võivad riigiti erineda.

ТЕХНИЧЕСКИЕ ХАРАКТЕРИСТИКИ

Модель:		LS004G
Диаметр диска	Европейские страны	260 мм
	Неевропейские страны	255 мм – 260 мм
Диаметр отверстия	Европейские страны	30 мм
	Неевропейские страны (в зависимости от страны)	15,88 мм / 25,4 мм / 30 мм
Макс. толщина распила для пильного диска		3,2 мм
Макс. угол резки		Вправо 60°, влево 60°
Макс. угол скоса		Вправо 48°, влево 48°
Число оборотов без нагрузки (об/мин)		3 600 мин ⁻¹
Размеры (Д x Ш x В)		805 мм x 644 мм x 660 мм
Номинальное напряжение		36–40 В пост. тока макс.
Масса нетто		26,6–27,2 кг

Размеры распиливаемой детали (В x Ш)

Угол резки	Угол скоса		
	45° (левый)	0°	45° (правый)
0°	42 мм x 310 мм 58 мм x 279 мм	68 мм x 310 мм 91 мм x 279 мм	29 мм x 310 мм 43 мм x 279 мм
45° (правый и левый)	42 мм x 218 мм 58 мм x 197 мм	68 мм x 218 мм 91 мм x 197 мм	29 мм x 218 мм 43 мм x 197 мм
60° (правый и левый)	-	68 мм x 155 мм 91 мм x 139 мм	-

Размеры распиливаемой детали для особого резания

Тип резания	Режущая способность
Поясок со стеновым углом 45° (при использовании ограничителя пояска)	168 мм
Плнтус (при использовании горизонтальных тисков)	133 мм

- Благодаря нашей постоянно действующей программе исследований и разработок указанные здесь технические характеристики могут быть изменены без предварительного уведомления.
- Технические характеристики могут различаться в зависимости от страны.
- Масса может отличаться в зависимости от дополнительного оборудования. Обратите внимание, что блок аккумулятора также считается дополнительным оборудованием. В таблице представлены комбинации с наибольшим и наименьшим весом в соответствии с процедурой EPTA 01/2014.

Подходящий блок аккумулятора и зарядное устройство

Блок аккумулятора	BL4020 / BL4025 / BL4040* / BL4050F* *: рекомендуемый аккумулятор
Зарядное устройство	DC40RA / DC40RB / DC40RC

- В зависимости от региона проживания некоторые блоки аккумуляторов и зарядные устройства, перечисленные выше, могут быть недоступны.

⚠ ОСТОРОЖНО: Используйте только перечисленные выше блоки аккумуляторов и зарядные устройства. Использование других блоков аккумуляторов и зарядных устройств может привести к травме и/или пожару.

Символы

Ниже приведены символы, которые могут использоваться для обозначения оборудования. Перед использованием убедитесь в том, что вы понимаете их значение.



Прочитайте руководство по эксплуатации.



Надевайте защитные очки.



Для предотвращения травм от разлетающихся осколков после распиливания держите головку пилы опущенной вниз до тех пор, пока полотно не остановится полностью.



При выполнении резки со скосом сначала поверните круглую ручку против часовой стрелки и наклоните каретку. После этого поверните круглую ручку по часовой стрелке, чтобы затянуть ее.



При выполнении скользящего распила сначала полностью вытяните каретку и нажмите ручку, затем подвиньте каретку к направляющей линейке.



Удерживайте кнопку разблокировки во время наклона каретки вправо.



Задействуйте стопорный рычаг во время разрезания плитусов под углом 45°.



Держите руки и пальцы на расстоянии от полотна.



Не смотрите на работающую лампу.



A: Диаметр диска
B: Диаметр отверстия



Не устанавливайте горизонтальные тиски в том же направлении, что и при резке под углом. (этот символ нанесен на горизонтальные тиски.)



Только для стран ЕС
В связи с наличием в оборудовании опасных компонентов отходы электрического и электронного оборудования, аккумуляторы и батареи могут оказывать негативное влияние на окружающую среду и здоровье человека.
Не выбрасывайте электрические и электронные устройства или батареи вместе с бытовыми отходами!
В соответствии с директивой ЕС по отходам электрического и электронного оборудования, по аккумуляторам, батареям и отходам аккумуляторов и батарей, а также в соответствии с ее адаптацией к национальному законодательству, отходы электрического оборудования, батареи и аккумуляторы следует хранить отдельно и доставлять на пункт раздельного сбора коммунальных отходов, работающий с соблюдением правил охраны окружающей среды.
Это обозначено символом в виде перечеркнутого мусорного контейнера на колесах, нанесенным на оборудование.

Назначение

Данный инструмент предназначен для точного распиливания деревянных деталей под прямым углом и под другими углами.

Используйте пилу только для резки древесины, алюминия или подобных материалов.

Шум

Типичный уровень взвешенного звукового давления (A), измеренный в соответствии с EN62841-3-9:
Уровень звукового давления (L_{pA}): 91 дБ (A)
Уровень звуковой мощности (L_{WA}): 100 дБ (A)
Погрешность (K): 3 дБ (A)

ПРИМЕЧАНИЕ: Заявленное значение распространения шума измерено в соответствии со стандартной методикой испытаний и может быть использовано для сравнения инструментов.

ПРИМЕЧАНИЕ: Заявленное значение распространения шума можно также использовать для предварительных оценок воздействия.

⚠ОСТОРОЖНО: Используйте средства защиты слуха.

⚠ОСТОРОЖНО: Распространение шума во время фактического использования электроинструмента может отличаться от заявленного значения в зависимости от способа применения инструмента и в особенности от типа обрабатываемой детали.

⚠ОСТОРОЖНО: Обязательно определите меры безопасности для защиты оператора, основанные на оценке воздействия в реальных условиях использования (с учетом всех этапов рабочего цикла, таких как выключение инструмента, работа без нагрузки и включение).

Декларация о соответствии ЕС

Только для европейских стран

Декларация о соответствии ЕС включена в руководство по эксплуатации (Приложение А).

МЕРЫ БЕЗОПАСНОСТИ

Общие рекомендации по технике безопасности для электроинструментов

⚠ОСТОРОЖНО: Ознакомьтесь со всеми представленными инструкциями по технике безопасности, указаниями, иллюстрациями и техническими характеристиками, прилагаемыми к данному электроинструменту. Несоблюдение каких-либо инструкций, указанных ниже, может привести к поражению электрическим током, пожару и/или серьезной травме.

Сохраните брошюру с инструкциями и рекомендациями для дальнейшего использования.

Термин "электроинструмент" в предупреждениях относится ко всему инструменту, работающему от сети (с проводом) или на аккумуляторах (без провода).

Инструкции по технике безопасности для торцовочных пил

1. Торцовочные пилы предназначены для распиливания дерева или древесноподобных изделий и не предназначены для работы с абразивными отрезными дисками для резания изделий из черного металла, таких как брусья, прутья, стержни и т.п. Абразивный порошок приводит к заклиниванию нижнего щитка. Искры от абразивной резки обжигают нижний щиток, вставную режущую пластину и другие пластиковые компоненты.
 2. По возможности используйте тиски для закрепления детали. Если вы держите распиливаемую деталь в руках, то следите, чтобы они были на расстоянии не менее 100 мм с каждой стороны от пильного диска. Не используйте эту пилу для распиливания деталей, которые в силу их малых размеров невозможно надежно закрепить в тисках или удерживать руками. Близкое положение рук по отношению к пильному диску повышает риск получения травмы от контакта с диском.
 3. Распиливаемую деталь необходимо прочно закрепить или крепко неподвижно держать по отношению к ограде и столу. Не подавайте деталь на пильный диск и не выполняйте каких-либо действий одними руками. Незакрепленные и подвижные детали могут быть отброшены диском, вращающимся с высокой частотой, что может привести к травмам.
 4. Вдавливайте пилу для резания детали. Не тяните пилу для резания детали. Чтобы сделать распил детали, установите головку пилы над деталью, не разрезая ее, запустите мотор, вдавите головку и затем всю пилу. Если тянуть пилу, то пильный диск поднимется кверху детали и резко сорвется к сторону оператора.
 5. Никогда не оставляйте руку на намеченной линии распила ни за, ни перед пильным диском. Удерживание детали "крест-накрест", т.е. левой рукой с правой стороны или наоборот крайне опасно.
- Рис.1
6. Не заносите руку за ограду на расстояние менее 100 мм от каждой стороны пильного диска для того чтобы убрать опилки, или по любой другой причине, пока диск вращается. Вы можете неправильно оценить близость вращающегося пильного диска по отношению к вашей руке, и это может стать причиной серьезной травмы.
 7. Перед распиливанием осмотрите деталь. Если деталь изогнута или перекручена, зажмите ее внешней изогнутой стороной к ограде. Убедитесь, что вдоль линии распила между деталью, оградой и столом нет зазоров. Изогнутые или перекрученные детали могут выкручиваться и смещаться, что приводит к заклиниванию пильного диска во время резания. В детали не должно быть гвоздей и других посторонних предметов.
 8. Перед использованием пилы уберите со стола все инструменты, опилки и т.п. Оставьте только деталь. Мелкий мусор и частички дерева или другие предметы при контакте с вращающимся диском могут быть отброшены на высокой скорости.
 9. За один раз возможно распиливание только одной детали. Детали, сложенные в стопку, невозможно закрепить должным образом, и они могут застрять на диске или смещаться по ходу резания.
 10. Перед использованием торцовочной пилы убедитесь, что она установлена на твердой ровной поверхности. Твердая и ровная поверхность исключает риск дестабилизации торцовочной пилы.
 11. Составьте план работы. Каждый раз, изменяя угол скоса или торца, убеждайтесь в правильной установке ограды для поддержки детали, при которой она не будет мешать пильному диску и защитной системе. Не включая инструмент и без детали на столе, проведите пильный диск вдоль намеченной линии распила, чтобы убедиться в отсутствии преград и риска повреждения ограды.
 12. Обеспечьте надежную поддержку в виде удлинителей стола, козел и т.п. для детали, которая шире или длиннее поверхности стола. Детали, которые длиннее или шире стола торцовочной пилы, без надежной опоры могут опрокидываться. При опрокидывании обрезков или детали возможно отбрасывание от вращающегося диска или поднятие нижнего щитка.
 13. Не просите других людей поддержать детали. Неустойчивая опора детали может привести к застреванию диска или смещению детали во время резания, что притянет вас и вашего помощника к вращающемуся диску.
 14. Обрезок не должен быть каким-либо образом зажат или прижат к вращающемуся пильному диску. Если обрезок привязан упором для установки длины, то он может быть заклинен на диске и с силой отброшен.
 15. Используйте тиски или специальную подставку для обеспечения должной опоры круглым деталям, таким как прутья или трубки. Путья могут скатываться во время резания, из-за чего диск оставляет зацепы и притягивает их вместе с рукой к себе.
 16. Перед тем как опустить диск на деталь, дождитесь, чтобы он набрал полную скорость вращения. Эта мера позволит избежать риска отбрасывания детали.

17. Если деталь или диск застревает, выключите торцовочную пилу. Дождитесь полной остановки всех подвижных деталей и отключите инструмент от источника питания и/или извлеките аккумулятор. Затем приступайте к извлечению застрявшего материала. Если продолжить распиливание застрявшей детали, может произойти потеря управления или может быть нанесен вред торцовочной пиле.
18. По завершении распиливания выключите устройство, приведите головку пилу в нижнее положение и дождитесь остановки вращения диска, прежде чем забирать обрезок. Подносить руку к диску, вращающемуся по инерции, опасно.
19. При выполнении неполного распила или при выключении устройства крепко держите рукоятку, пока головка пилы не опустится. Торможение пилы может привести к резкому опусканию головки, что, в свою очередь, может привести к травмам.
20. Разрешается использовать только пильные диски с диаметром, соответствующим указанному на инструменте или в руководстве. Применение диска неверного размера может препятствовать надлежащей защите диска или мешать работе защитного кожуха, что, в свою очередь, может стать причиной серьезных травм.
21. Используйте только пильные диски, маркировка максимальной скорости которых равна или выше скорости, указанной на инструменте.
22. Используйте пилу только для резки древесины, алюминия или подобных материалов.
23. (Только для европейских стран) Используйте диски, соответствующие EN847-1.
7. Перед переноской инструмента обязательно закрепите все подвижные части.
8. Стопорный штифт или стопорный рычаг, блокирующий головку пилы в нижнем положении, предназначен только для переноски и хранения, а не для каких-либо операций резки.
9. Перед эксплуатацией тщательно осмотрите диск и убедитесь в отсутствии трещин или повреждений. Немедленно замените треснувший или поврежденный диск. Смола и древесный пек, затвердевшие на пильных дисках, снижают производительность пилы и повышают потенциальный риск отдачи. Содержите пилу в чистоте. Для этого снимайте ее с инструмента и очищайте растворителем смолы и древесного пека, горячей водой или керосином. Не используйте бензин для очистки диска.
10. Во время выполнения скользящего распила может произойти ОТДАЧА. ОТДАЧА происходит, если диск заедает во время распила детали и резко отскакивает в сторону оператора. Это может привести к потере управления и серьезным травмам. Если диск заедает во время распила, немедленно прекратите работу и выключите устройство.
11. Пользуйтесь только фланцами, предназначенными для данного инструмента.
12. Следите за тем, чтобы не повредить шпиндель, фланцы (особенно монтажную поверхность) или болт. Повреждение этих деталей может привести к поломке диска.
13. Убедитесь в прочном креплении поворотного основания и в его неподвижности во время выполнения работ. С помощью отверстий в основании прикрепите пилу к устойчивой рабочей поверхности или верстаку. НИКОГДА не используйте инструмент в неудобном для оператора положении.

Дополнительные инструкции

1. Ограничьте доступ детей к мастерской с помощью замка.
2. Не становитесь ногами на инструмент. Опрокидывание инструмента или непреднамеренный контакт с режущим узлом могут привести к серьезным травмам.
3. Никогда не оставляйте работающий инструмент без присмотра. Выключайте питание. Не отходите от инструмента до его полной остановки.
4. Не эксплуатируйте пилу без установленных ограждений. Перед каждым использованием проверяйте ограждение полотна. Не эксплуатируйте пилу, если ограждение полотна не перемещается свободно и мгновенно не закрывается. Запрещается фиксировать или привязывать ограждение в открытом положении.
5. Держите руки на расстоянии от направления движения пильного диска. Избегайте контакта с любым диском, вращающимся по инерции. Он все еще может причинить серьезные травмы.
6. Чтобы снизить риск получения травмы, каждый раз по завершении поперечного распила возвращайте каретку до упора в заднее положение.
14. Перед включением выключателя убедитесь в том, что блокировка вала снята.
15. Следите за тем, чтобы диск не касался поворотного основания в самом нижнем положении.
16. Крепко держите ручку. Помните, что во время запуска и остановки пила немного движется вверх или вниз.
17. Перед включением убедитесь в том, что полотно не касается обрабатываемой детали.
18. Перед использованием инструмента на детали дайте ему немного поработать вхолостую. Убедитесь в отсутствии вибрации или биения, которые могут свидетельствовать о неправильной установке или дисбалансе лезвия.
19. Немедленно прекратите работу, если вы заметили какие-либо отклонения.
20. Не пытайтесь заблокировать триггерный переключатель во включенном положении.
21. Обязательно используйте принадлежности, рекомендованные в данном руководстве. Использование несоответствующих принадлежностей, таких как, например, абразивные круги, может привести к травме.

22. Некоторые материалы могут содержать токсичные химические вещества. Примите соответствующие меры предосторожности, чтобы избежать вдыхания или контакта с кожей таких веществ. Соблюдайте требования, указанные в паспорте безопасности материала.
23. Не используйте с этим инструментом проводной источник питания.

Дополнительные правила техники безопасности, касающиеся работающей лампы

1. Не смотрите непосредственно на свет или источник света.

СОХРАНИТЕ ДАННЫЕ ИНСТРУКЦИИ.

▲ОСТОРОЖНО: НЕ ДОПУСКАЙТЕ, чтобы удобства или опыт эксплуатации данного устройства (полученный от многократного использования) доминировали над строгим соблюдением правил техники безопасности при обращении с этим устройством. **НЕПРАВИЛЬНОЕ ИСПОЛЬЗОВАНИЕ** инструмента или несоблюдение правил техники безопасности, указанных в данном руководстве, может привести к тяжелой травме.

Важные правила техники безопасности для работы с аккумуляторным блоком

1. Перед использованием аккумуляторного блока прочитайте все инструкции и предупреждающие надписи на (1) зарядном устройстве, (2) аккумуляторном блоке и (3) инструменте, работающем от аккумуляторного блока.
2. Не разбирайте блок аккумулятора и не меняйте его конструкцию. Это может привести к пожару, перегреву или взрыву.
3. Если время работы аккумуляторного блока значительно сократилось, немедленно прекратите работу. В противном случае, может возникнуть перегрев блока, что приведет к ожогам и даже к взрыву.
4. В случае попадания электролита в глаза промойте их обильным количеством чистой воды и немедленно обратитесь к врачу. Это может привести к потере зрения.
5. Не замыкайте контакты аккумуляторного блока между собой:
 - (1) Не прикасайтесь к контактам какими-либо токопроводящими предметами.
 - (2) Не храните аккумуляторный блок в контейнере вместе с другими металлическими предметами, такими как гвозди, монеты и т. п.
 - (3) Не допускайте попадания на аккумуляторный блок воды или дождя.
 Замыкание контактов аккумуляторного блока между собой может привести к возникновению большого тока, перегреву, возможным ожогам и даже поломке блока.
6. Не храните и не используйте инструмент и аккумуляторный блок в местах, где температура может достигать или превышать 50 °C (122 °F).
7. Не бросайте аккумуляторный блок в огонь, даже если он сильно поврежден или полностью вышел из строя. Аккумуляторный блок может взорваться под действием огня.
8. Запрещено вбивать гвозди в блок аккумулятора, резать, ломать, бросать, ронять блок аккумулятора или ударять его твердым предметом. Это может привести к пожару, перегреву или взрыву.
9. Не используйте поврежденный аккумуляторный блок.
10. Входящие в комплект литий-ионные аккумуляторы должны эксплуатироваться в соответствии с требованиями законодательства об опасных товарах. При коммерческой транспортировке, например, третьей стороной или экспедитором, необходимо нанести на упаковку специальные предупреждения и маркировку. В процессе подготовки устройств к отправке обязательно проконсультируйтесь со специалистом по опасным материалам. Также соблюдайте местные требования и нормы. Они могут быть строже. Закрепите или закрепите разомкнутые контакты и упакуйте аккумулятор так, чтобы он не перемещался по упаковке.
11. Для утилизации блока аккумулятора извлеките его из инструмента и утилизируйте безопасным способом. Выполняйте требования местного законодательства по утилизации аккумуляторного блока.
12. Используйте аккумуляторы только с продукцией, указанной Makita. Установка аккумуляторов на продукцию, не соответствующую требованиям, может привести к пожару, перегреву, взрыву или утечке электролита.
13. Если инструментом не будут пользоваться в течение длительного периода времени, извлеките аккумулятор из инструмента.
14. Во время и после использования блок аккумулятора может нагреваться, что может стать причиной ожогов или низкотемпературных ожогов. Будьте осторожны при обращении с горячим блоком аккумулятора.
15. Не прикасайтесь к контактам инструмента сразу после использования, поскольку они могут быть достаточно горячими, чтобы вызвать ожоги.
16. Не допускайте, чтобы обломки, пыль или земля прилипали к контактам, отверстиям и пазам на блоке аккумулятора. Это может привести к снижению эксплуатационных параметров, поломке инструмента или блока аккумулятора.
17. Если инструмент не рассчитан на использование вблизи высоковольтных линий электропередач, не используйте блок аккумулятора вблизи высоковольтных линий электропередач. Это может привести к неисправности, поломке инструмента или блока аккумулятора.
18. Храните аккумулятор в недоступном для детей месте.

СОХРАНИТЕ ДАННЫЕ ИНСТРУКЦИИ.

▲ВНИМАНИЕ: Используйте только фирменные аккумуляторные батареи Makita. Использование аккумуляторных батарей, не произведенных Makita, или батарей, которые были подвергнуты модификациям, может привести к взрыву аккумулятора, пожару, травмам и повреждению имущества. Это также автоматически аннулирует гарантию Makita на инструмент и зарядное устройство Makita.

Советы по обеспечению максимального срока службы аккумулятора

1. Заряжайте блок аккумуляторов перед его полной разрядкой. Обязательно прекратите работу с инструментом и зарядите блок аккумуляторов, если вы заметили снижение мощности инструмента.
2. Никогда не подзаряжайте полностью заряженный блок аккумуляторов. Перезарядка сокращает срок службы аккумулятора.
3. Заряжайте блок аккумуляторов при комнатной температуре в 10 - 40 °C (50 - 104 °F). Перед зарядкой горячего блока аккумуляторов дайте ему остыть.
4. Если блок аккумулятора не используется, извлеките его из инструмента или зарядного устройства.
5. Зарядите ионно-литиевый аккумуляторный блок, если вы не будете пользоваться инструментом длительное время (более шести месяцев).

Важные правила техники безопасности для работы с беспроводным блоком

1. Не разбирайте и не меняйте конструкцию беспроводного блока.
2. Храните беспроводной блок в недоступном для детей месте. При случайном проглатывании немедленно обратитесь к врачу.
3. Используйте беспроводной блок только с инструментами Makita.
4. Не подвергайте беспроводной блок воздействию дождя или влаги.
5. Не используйте беспроводной блок в тех местах, где температура превышает 50 °C.
6. Не используйте беспроводной блок в тех местах, где поблизости могут находиться медицинские инструменты, например, кардиостимуляторы.
7. Не используйте беспроводной блок в тех местах, где могут находиться автоматизированные устройства. При использовании автоматизированных устройств могут возникнуть сбои или ошибки.
8. Не используйте беспроводной блок в местах, где он может подвергаться воздействию высокой температуры, статического электричества или электрических помех.
9. Беспроводной блок может создавать электромагнитные поля (EMF), которые не представляют опасности для пользователя.

10. Беспроводной блок является точным инструментом. Не роняйте и не ударяйте беспроводной блок.
11. Не прикасайтесь к клемме беспроводного блока голыми руками или металлическими предметами.
12. Во время установки беспроводного блока обязательно вытаскивайте аккумулятор из устройства.
13. Не открывайте крышку гнезда в таких местах, где в него может попасть пыль и вода. Входное отверстие гнезда всегда должно быть чистым.
14. Обязательно вставляйте беспроводной блок в правильном направлении.
15. Не нажимайте слишком сильно кнопку активации на беспроводном блоке и/или не нажимайте кнопку, используя объекты с острым краем.
16. Во время работы обязательно закрывайте крышку гнезда.
17. Не вытаскивайте беспроводной блок из гнезда, если на инструмент подано питание. Это может привести к неисправной работе беспроводного блока.
18. Не снимайте наклейку с беспроводного блока.
19. Не приклеивайте к беспроводному блоку никаких наклеек.
20. Не оставляйте беспроводной блок в таких местах, где может скапливаться статическое электричество или присутствовать электрические помехи.
21. Не оставляйте беспроводной блок в местах с высокой температурой, например на сиденье автомобиля в жару.
22. Не оставляйте беспроводной блок в местах, где присутствует пыль или порошок, или может образоваться коррозионный газ.
23. Внезапное изменение температуры может привести к образованию конденсата на беспроводном блоке. Не используйте беспроводной блок до тех пор, пока конденсат полностью не высохнет.
24. При чистке беспроводного блока аккуратно протрите его сухой мягкой тканью. Не используйте бензин, разбавитель, проводящую смазку или аналогичные материалы.
25. При хранении беспроводного блока поместите его в поставляемый футляр или в контейнер без статического электричества.
26. Не вставляйте в гнездо на инструменте никаких других устройств, кроме беспроводного блока Makita.
27. Не используйте инструмент с поврежденной крышкой гнезда. В гнездо может попасть вода, пыль и грязь, это может привести к неисправности.
28. Не тяните и/или не скручивайте крышку гнезда сильнее, чем это необходимо. Если крышка отсоединилась от инструмента, установите ее на место.
29. Замените крышку гнезда, если она утеряна или повреждена.

СОХРАНИТЕ ДАННЫЕ ИНСТРУКЦИИ.

ОПИСАНИЕ ДЕТАЛЕЙ

► Рис.2

1	Регулятор (для угла скоса)	2	Шестигранный ключ	3	Регулировочный винт (для нижнего предельного положения)	4	Регулировочный болт (для максимальной режущей способности)
5	Стопорный рычаг	6	Кнопка разблокировки	7	Триггерный переключатель	8	Крышка (для беспроводного блока)
9	Отверстие для навесного замка	10	Кнопка беспроводной активации	11	Лампа беспроводной активации	12	Кнопка лампы
13	Кнопка пылесоса	14	Корпус диска	15	Ограждение диска	16	Держатель
17	Рычаг блокировки (для поворотного основания)	18	Рычаг разблокировки (для поворотного основания)	19	Рукоятка (для поворотного основания)	20	Планка для пропилов
21	Шкала угла резки	22	Указатель (для угла резки)	23	Поворотное основание	24	Кнопка разблокировки (для правого угла скоса)
25	Вертикальные тиски	26	Стопорный штифт (для перемещения каретки)	27	Подвижная стойка	-	-

► Рис.3

1	Ручка	2	Блок аккумулятора	3	Пылесборный мешок (когда заменен на шланг пылеудаления)	4	Шланг (для пылеудаления)
5	Болт регулировки 0° (для угла скоса)	6	Шкала угла скоса	7	Указатель (для угла скоса)	8	Болт регулировки 45° (для угла скоса)
9	Рычаг с предохранительной защелкой (для угла скоса)	10	Рычаг разблокировки (для угла скоса 48°)	11	Направляющая линейка (верхнее ограждение)	12	Направляющая линейка (нижнее ограждение)
13	Стопорный штифт (для подъема каретки)	14	Фиксатор вала	-	-	-	-

УСТАНОВКА

Установка рукоятки

Ввинтите резьбовой вал рукоятки в поворотное основание.

► Рис.4: 1. Ручка 2. Поворотное основание

Установка и снятие шланга пылеудаления

Присоедините колено шланга к верхнему патрубку так, чтобы кнопка блокировки располагалась сверху. Вставьте муфту шланга в нижний патрубок, нажимая фиксирующие кнопки на муфте и совмещая их с направляющими выемками на патрубке. Убедитесь, что колено и муфта надлежащим образом закреплены в патрубках инструмента.

► Рис.5: 1. Шланг пылеудаления 2. Колено 3. Кнопка блокировки 4. Муфта 5. Верхний патрубок 6. Нижний патрубок

Для извлечения колена шланга из патрубка потяните за колено, удерживая нажатой кнопку блокировки.

► Рис.6: 1. Кнопка блокировки 2. Колено

Для извлечения муфты шланга из патрубка потяните за муфту, нажав фиксирующие кнопки на обеих сторонах патрубка.

► Рис.7: 1. Фиксирующая кнопка 2. Муфта

Установка на верстак

При поставке инструмента рукоятка заблокирована в нижнем положении с помощью стопорного штифта. Во время опускания рукоятки потяните стопорный штифт и поверните его на 90°.

► Рис.8: 1. Положение блокировки 2. Положение разблокировки 3. Стопорный штифт

Данный инструмент необходимо прикрутить четырьмя болтами к ровной и устойчивой поверхности, используя отверстия для болтов в основании инструмента. Это поможет предотвратить опрокидывание и возможные травмы.

► Рис.9: 1. Болты

▲ ОСТОРОЖНО: Убедитесь, что инструмент не перемещается на опорной поверхности. Перемещение торцовочной пилы на опорной поверхности во время резки может привести к потере контроля над инструментом и получению тяжелой травмы.

ОПИСАНИЕ РАБОТЫ

▲ ОСТОРОЖНО: Перед регулировкой или проверкой функций инструмента обязательно убедитесь, что он выключен и его аккумуляторный блок снят. Несоблюдение этого требования может стать причиной тяжелой травмы из-за случайного включения инструмента.

Установка или снятие блока аккумулятора

▲ ВНИМАНИЕ: Обязательно выключайте инструмент перед установкой и извлечением аккумуляторного блока.

▲ ВНИМАНИЕ: При установке и извлечении аккумуляторного блока крепко удерживайте инструмент и аккумуляторный блок. Если не соблюдать это требование, они могут выскользнуть из рук, что приведет к повреждению инструмента, аккумуляторного блока и травмированию оператора.

► **Рис.10:** 1. Красный индикатор 2. Кнопка 3. Блок аккумулятора

Для снятия аккумуляторного блока нажмите кнопку на лицевой стороне и извлеките блок.

Для установки блока аккумулятора совместите выступ блока аккумулятора с пазом в корпусе и задвиньте его на место. Устанавливайте блок до упора, чтобы он зафиксировался с небольшим щелчком. Если вы видите красный индикатор, как показано на рисунке, он не зафиксирован полностью.

▲ ВНИМАНИЕ: Обязательно устанавливайте блок аккумулятора до конца, чтобы красный индикатор не был виден. В противном случае блок аккумулятора может выпасть из инструмента и нанести травму вам или другим людям.

▲ ВНИМАНИЕ: Не прилагайте чрезмерных усилий при установке аккумуляторного блока. Если блок не двигается свободно, значит он вставлен неправильно.

Система защиты инструмента/аккумулятора

На инструменте предусмотрена система защиты инструмента/аккумулятора. Она автоматически отключает питание двигателя для продления срока службы инструмента и аккумулятора. Инструмент автоматически остановится во время работы при возникновении указанных ниже ситуаций. В некоторых ситуациях загораются индикаторы.

Защита от перегрузки

Если при текущем режиме эксплуатации инструмент/аккумулятор будет потреблять слишком большое количество тока, произойдет автоматический останов. В этом случае выключите инструмент и остановите работу, из-за которой произошла перегрузка инструмента. Затем включите инструмент для перезапуска.

Защита от перегрева

При перегреве инструмента/аккумулятора инструмент автоматически останавливается и начинает мигать индикатор. В таком случае дайте инструменту остыть перед повторным включением.

Защита от переразрядки

При истощении заряда аккумулятора инструмент автоматически останавливается. Если инструмент не работает после нажатия выключателя, извлеките аккумулятор из инструмента и зарядите его.

Индикация оставшегося заряда аккумулятора

Нажмите кнопку проверки на аккумуляторном блоке для проверки заряда. Индикаторы загорятся на несколько секунд.

► **Рис.11:** 1. Индикаторы 2. Кнопка проверки

Индикаторы			Уровень заряда
Горит	Выкл.	Мигает	
■ ■ ■ ■			от 75 до 100%
■ ■ ■ □			от 50 до 75%
■ ■ □ □			от 25 до 50%
■ □ □ □			от 0 до 25%
▣ □ □ □			Зарядите аккумуляторную батарею.
■ ■ □ □			Возможно, аккумуляторная батарея неисправна.
□ □ ■ ■	↑ ↓		

ПРИМЕЧАНИЕ: В зависимости от условий эксплуатации и температуры окружающего воздуха индикация может незначительно отличаться от фактического значения.

ПРИМЕЧАНИЕ: Первая (дальняя левая) индикаторная лампа будет мигать во время работы защитной системы аккумулятора.

Блокировка ручки

▲ ВНИМАНИЕ: Обязательно держите ручку при разблокировке стопорного штифта. При несоблюдении этого требования резкое движение рукоятки вверх может привести к травме.

С помощью стопорного штифта ручку можно заблокировать в опущенном или поднятом положении. Полностью опустите или поднимите ручку, после чего потяните и поверните стопорный штифт в положение блокировки. Чтобы разблокировать ручку, потяните стопорный штифт и поверните его на 90° в положение разблокировки, слегка опустив ручку.

► **Рис.12:** 1. Положение блокировки 2. Положение разблокировки 3. Стопорный штифт

Блокировка движения

Потяните стопорный штифт и поверните его на 90° в положение разблокировки, чтобы каретка двигалась свободно. Чтобы заблокировать скольжение каретки, давите на каретку в направлении штанги, пока она не остановится, и верните стопорный штифт в положение блокировки.

► **Рис.13:** 1. Положение блокировки 2. Положение разблокировки 3. Стопорный штифт 4. Штанга

Ограждение диска

⚠ОСТОРОЖНО: Запрещается ломать или снимать ограждение режущего диска или пружину, соединенную с ограждением. Открытый диск, в случае поломки ограждения, может стать причиной тяжелых травм во время работы.

⚠ОСТОРОЖНО: Запрещается пользоваться инструментом, если ограждение диска или пружина повреждены, неисправны или сняты. Эксплуатация инструмента с поврежденным, неисправным или снятым ограждением может привести к тяжелой травме.

⚠ВНИМАНИЕ: В целях безопасности обязательно поддерживайте ограждение диска в хорошем состоянии. Немедленно прекратите работу при наличии любых неисправностей ограждения диска. Убедитесь в возвратном действии ограждения под нагрузкой пружины.

При опускании ручки ограждение режущего диска поднимается автоматически. Ограждение подпружинено, поэтому после окончания распиливания и подъема ручки оно возвращается в исходное положение.

► **Рис.14:** 1. Ограждение диска

Очистка

При загрязнении прозрачного ограждения диска или налипании на него стружки, когда диск и/или обрабатываемая деталь больше не видно, извлеките блок аккумулятора и тщательно очистите ограждение влажной тряпкой. Для очистки пластикового ограждения не используйте растворители или очистители на основе бензина. Они могут повредить ограждение.

Для подготовки к уборке следуйте приведенным пошаговым инструкциям.

1. Убедитесь, что инструмент выключен, а блок аккумулятора извлечен.
2. Поверните болт с внутренним шестигранником против часовой стрелки с помощью входящего в комплект поставки шестигранного ключа, удерживая центральную крышку.
3. Поднимите ограждение диска и центральную крышку.
4. По окончании очистки верните центральную крышку в исходное положение и затяните болт с внутренним шестигранником, выполняя указанные выше шаги в обратной последовательности.

5. Убедитесь в том, что диск циркулярной пилы и центральная крышка возвращены в исходное положение, а болт с внутренним шестигранником затянут.

► **Рис.15:** 1. Шестигранный ключ 2. Болт с внутренним шестигранником 3. Центральная крышка 4. Ограждение диска

⚠ОСТОРОЖНО: Не снимайте пружину крепления ограждения диска. При повреждении ограждения со временем или под воздействием ультрафиолетовых лучей свяжитесь с сервисным центром компании Makita, чтобы получить новое ограждение. **НЕ ЛОМАЙТЕ И НЕ СНИМАЙТЕ ОГРАЖДЕНИЕ.**

Расположение планки для пропилов

Этот инструмент оборудован планками для пропилов в поворотном основании для уменьшения разрыва на выходной стороне распила. Планки для пропилов отрегулированы на предприятии-изготовителе таким образом, что диск циркулярной пилы не касается планок для пропилов. Перед использованием планок для пропилов отрегулируйте их, как указано ниже:

1. Обязательно снимите блок аккумулятора. Ослабьте все винты (по два с левой и правой стороны) фиксации планок для пропилов.

► **Рис.16:** 1. Планка для пропилов 2. Винты

ПРИМЕЧАНИЕ: Задние винты можно легко ослабить и затянуть, повернув поворотное основание и установив его под углом. При повороте поворотного основания обязательно полностью поднимите ручку.

2. Затяните винты так, чтобы планки для пропилов можно было легко перемещать рукой.

3. Полностью опустите рукоятку, затем потяните и поверните стопорный штифт, чтобы зафиксировать ее в опущенном положении.

4. Потяните и поверните стопорный штифт на подвижной стойке, чтобы обеспечить возможность скольжения каретки.

► **Рис.17:** 1. Стопорный штифт 2. Положение блокировки 3. Положение разблокировки

5. Подайте каретку полностью на себя.

6. Отрегулируйте положение планок для пропилов так, чтобы они слегка касались боковых сторон зубьев диска.

► **Рис.18**

► **Рис.19:** 1. Дисковая пила 2. Зубья диска 3. Планка для пропилов 4. Резка со скосом влево 5. Прямая резка 6. Резка со скосом вправо

ПРИМЕЧАНИЕ: При изменении углов скоса обязательно устанавливайте планки для пропилов в надлежащее положение.

ПРИМЕЧАНИЕ: Перед установкой планок для пропилов для резки со скосом влево или вправо всегда снимайте верхние направляющие линейки и вертикальные тиски.

7. Затяните передние винты (не затягивайте их сильно).
8. До конца задвиньте каретку к направляющим линейкам и отрегулируйте положение планок для пропилов так, чтобы они слегка касались боковых сторон зубьев диска.
9. Затяните задние винты (не затягивайте их сильно).
10. После регулировки планок для пропилов опустите стопорный штифт для блокировки ручки и поднимите ручку. Затем надежно затяните все винты.

ПРИМЕЧАНИЕ: Установив угол скоса, убедитесь в правильной регулировке планок для пропилов. Правильная регулировка планок для пропилов помогает обеспечить надлежащую опору для заготовки и свести к минимуму вероятность ее срыва с крепления.

Обеспечение максимальной режущей способности

Данный инструмент отрегулирован на заводе таким образом, чтобы обеспечить максимальную режущую способность для пильного диска диаметром 260 мм. При установке нового пильного диска всегда проверьте нижнее предельное положение пильного диска и при необходимости выполните регулировку, как указано ниже.

1. Снимите блок аккумулятора. Затем поверните рычаг ограничителя в положение включения.
▶ **Рис.20:** 1. Рычаг ограничителя
2. Полностью задвиньте каретку к направляющим линейкам и полностью опустите ручку.
▶ **Рис.21:** 1. Направляющая линейка
2. Регулировочный болт
3. Вращайте регулировочный болт при помощи шестигранного ключа, пока диск циркулярной пилы не окажется чуть ниже пересечения направляющих линеек и верхней поверхности поворотного основания.
▶ **Рис.22:** 1. Верхняя поверхность поворотного основания 2. Направляющая линейка
4. Проверните диск рукой, нажимая рукоятку вниз до упора, чтобы убедиться в том, что пильный диск не касается нижнего основания. При необходимости выполните повторную регулировку.

⚠ОСТОРОЖНО: После установки нового пильного диска и извлечения блока аккумулятора следует обязательно убедиться, что пильный диск не касается нижнего основания при полностью опущенной рукоятке. Если пильный диск заденет основание, инструмент может отскочить и нанести тяжелые травмы.

▶ **Рис.23**

⚠ВНИМАНИЕ: После регулировки обязательно возвращайте рычаг ограничителя в исходное положение.

Стопорный рычаг

Нижнее предельное положение диска циркулярной пилы легко регулируется с помощью стопорного рычага. Для регулировки поверните стопорный рычаг в направлении стрелки, как показано на рисунке. Поверните регулировочный винт так, чтобы диск циркулярной пилы останавливался в необходимом положении при полном опускании ручки.

▶ **Рис.24:** 1. Регулировочный винт 2. Стопорный рычаг

⚠ВНИМАНИЕ: В процессе регулировки следует крепко удерживать рукоятку. При несоблюдении этого требования каретка может отскочить и нанести травмы.

Регулировка угла резки

⚠ВНИМАНИЕ: После изменения угла резки обязательно закрепите поворотное основание, повернув рычаг блокировки/разблокировки в положение блокировки и надежно затянув рукоятку.

ПРИМЕЧАНИЕ: При повороте поворотного основания обязательно полностью поднимите рукоятку.

1. Поверните рукоятку против часовой стрелки. Затем нажмите и удерживайте рычаг блокировки в положении разблокировки.
2. Держите и поворачивайте рукоятку из стороны в сторону, чтобы повернуть поворотное основание.
3. Установите указатель на нужный угол на шкале угла резки.
4. Отпустите рычаг блокировки и затяните рукоятку.
▶ **Рис.25:** 1. Рукоятка 2. Рычаг блокировки
3. Указатель 4. Шкала угла резки

Функция блокировки с помощью неподвижного упора

Эта торцовочная пила оснащена функцией блокировки с помощью неподвижного упора. Можно быстро установить такие углы резки справа/слева: 0°, 15°, 22,5°, 31,6°, 45° и 60°.

1. Поверните рукоятку против часовой стрелки
2. Нажмите и удерживайте рычаг блокировки в положении разблокировки.
3. Установите поворотное основание максимально близко к нужному углу неподвижного упора и отпустите рычаг блокировки.
4. Проверните поворотное основание под нужный углом неподвижного упора до фиксации.
5. Затяните рукоятку.

▶ **Рис.26:** 1. Рукоятка 2. Рычаг блокировки 3. Угол неподвижного упора

ПРИМЕЧАНИЕ: Чтобы отключить функцию блокировки с помощью неподвижного упора для поворотного основания, нажмите рычаг разблокировки. После этого поворотное основание можно будет свободно перемещать, не удерживая рычаг блокировки в нижнем положении. Поверните рукоятку, чтобы установить поворотное основание под нужным углом, после чего затяните рукоятку.

► **Рис.27:** 1. Рычаг разблокировки

Регулировка угла скоса

ВНИМАНИЕ: После изменения угла скоса обязательно закрепите рычаг, затянув круглую ручку на подвижной стойке по часовой стрелке.

ПРИМЕЧАНИЕ: Перед установкой угла резки всегда снимайте верхние направляющие линейки и вертикальные тиски.

ПРИМЕЧАНИЕ: При наклоне пильного диска убедитесь в том, что каретка полностью поднята.

ПРИМЕЧАНИЕ: При изменении углов скоса не забудьте снова установить планки для пропилов в надлежащее положение, как указано в разделе, посвященном расположению планки для пропилов.

ПРИМЕЧАНИЕ: Не затягивайте круглую ручку на подвижной стойке слишком сильно. Это может привести к поломке стопорного механизма угла скоса.

Наклон диска циркулярной пилы влево

1. Поверните регулятор на подвижной стойке против часовой стрелки.

► **Рис.28:** 1. Круглая ручка

2. Потяните и поверните рычаг с предохранительной защелкой в показанное на рисунке положение.

► **Рис.29:** 1. Рычаг с предохранительной защелкой

3. Удерживайте ручку и наклоните каретку влево.

4. Установите указатель на нужный угол на шкале для угла скоса.

5. Затяните круглую ручку по часовой стрелке, чтобы зафиксировать рычаг каретки.

► **Рис.30:** 1. Круглая ручка 2. Рукоятка 3. Указатель 4. Шкала угла скоса

Наклон диска циркулярной пилы вправо

1. Поверните круглую ручку на подвижной стойке против часовой стрелки.

2. Удерживайте ручку и слегка наклоните каретку влево.

3. Наклоните каретку вправо, удерживая нажатой кнопку разблокировки для правого угла скоса.

4. Установите указатель на нужный угол на шкале для угла скоса.

5. Затяните круглую ручку по часовой стрелке, чтобы зафиксировать рычаг каретки.

► **Рис.31:** 1. Круглая ручка 2. Рукоятка 3. Кнопка разблокировки для правого угла скоса 4. Шкала угла скоса

Наклон диска циркулярной пилы с использованием функции блокировки с помощью неподвижного упора

Эта торцовочная пила оснащена функцией блокировки с помощью неподвижного упора. Вы можете быстро установить угол 22,5° или 33,9° справа и слева.

1. Поверните круглую ручку на подвижной стойке против часовой стрелки.

2. Наклоните каретку максимально близко к нужному углу неподвижного упора, подняв рычаг с фиксатором.

3. Установите рычаг с фиксатором в горизонтальное положение.

4. Наклоните каретку на нужный угол неподвижного упора до фиксации.

5. Чтобы изменить угол, потяните рычаг с фиксатором по направлению к передней части инструмента и снова наклоните каретку.

6. Затяните круглую ручку по часовой стрелке, чтобы зафиксировать рычаг каретки.

► **Рис.32:** 1. Круглая ручка 2. Рычаг с фиксатором

Наклон диска циркулярной пилы за пределы диапазона 0° - 45°

1. Поверните круглую ручку на подвижной стойке против часовой стрелки.

2. Удерживайте ручку и наклоните каретку на угол выше 45° влево или вправо.

3. Подайте каретку слегка назад и сдвиньте рычаг разблокировки для установки угла скоса 48° по направлению к передней части инструмента.

4. Наклоните каретку дальше влево или вправо, удерживая при этом отпущенный рычаг.

5. Затяните круглую ручку по часовой стрелке, чтобы зафиксировать рычаг каретки.

► **Рис.33:** 1. Круглая ручка 2. Рукоятка 3. Рычаг разблокировки для угла скоса 48°

Действие выключателя

⚠ОСТОРОЖНО: Перед установкой блока аккумулятора в инструмент убедитесь в том, что триггерный переключатель работает должным образом и возвращается в положение “ВЫКЛ.” при отпускании. Не нажимайте сильно на триггерный переключатель без нажатия на кнопку разблокировки. Это может привести к поломке переключателя. Эксплуатация инструмента с неисправным переключателем может привести к потере контроля над инструментом и тяжелым травмам.

⚠ОСТОРОЖНО: ЗАПРЕЩАЕТСЯ эксплуатировать инструмент с неисправным триггерным переключателем. Инструмент с неисправным триггерным переключателем КРАЙНЕ ОПАСЕН, перед дальнейшим использованием его необходимо отремонтировать. В противном случае можно получить тяжелую травму.

⚠ОСТОРОЖНО: ЗАПРЕЩАЕТСЯ нарушать работу кнопки разблокировки, заклеивая ее скотчем или другими способами. Выключатель с неработающей кнопкой разблокировки может стать причиной случайного включения и причинения тяжелой травмы.

⚠ОСТОРОЖНО: ЗАПРЕЩАЕТСЯ использовать инструмент, когда он работает при простом нажатии на триггерный переключатель без нажатия на кнопку разблокировки. Требующий ремонта инструмент может случайно включиться и причинить тяжелую травму. Верните инструмент в сервисный центр Makita для надлежащего ремонта ДО продолжения его эксплуатации.

► **Рис.34:** 1. Триггерный переключатель 2. Кнопка разблокировки 3. Отверстие для навесного замка

Для предотвращения непреднамеренного включения триггерного переключателя имеется кнопка разблокировки. Для включения инструмента нажмите на кнопку разблокировки, а затем на триггерный переключатель. Отпустите триггерный переключатель для остановки.

В триггерном переключателе предусмотрено отверстие под дужку навесного замка для блокировки инструмента.

⚠ОСТОРОЖНО: Не используйте замок с дужкой или тросом диаметром менее 6,35 мм. Дужка или трос меньшего размера может не полностью зафиксировать инструмент в выключенном положении, что может стать причиной случайного включения и тяжелой травмы.

Отражение линии разреза

⚠ВНИМАНИЕ: Лампа не является водонепроницаемой. Не промывайте лампу в воде и не пользуйтесь ей во время дождя или во влажном месте. Несоблюдение этой рекомендации может привести к поражению электрическим током и появлению дыма.

⚠ВНИМАНИЕ: Не касайтесь линзы лампы, поскольку она сильно нагревается при работе и остается нагретой в течение некоторого времени после отключения. Это может привести к ожогам.

⚠ВНИМАНИЕ: Не подвергайте лампу ударам: это может привести к повреждению или уменьшению срока службы лампы.

⚠ВНИМАНИЕ: Не смотрите непосредственно на свет или источник света.

Светодиодная лампа направляет свет на диск циркулярной пилы, а тень диска падает на заготовку, что служит в качестве индикатора линии разреза, не требующего калибровки. Нажмите кнопку лампы для излучения света. Появляется линия, по которой диск будет касаться поверхности заготовки, углубляясь по мере опускания лезвия.

► **Рис.35:** 1. Кнопка лампы 2. Лампа 3. Линия разреза

Индикатор помогает выполнять разрез по существующей линии разреза, нанесенной карандашом на заготовку.

1. Удерживайте ручку и опустите диск циркулярной пилы, чтобы плотная тень диска упала на заготовку.
2. Совместите линию разреза, нарисованную на заготовке, с затененной линией разреза.
3. Если необходимо, отрегулируйте углы резки и углы скоса.

ПРИМЕЧАНИЕ: Для экономии заряда аккумулятора переводите выключатель лампы в выключенное положение по завершении работы.

ПРИМЕЧАНИЕ: Свет автоматически погаснет через 5 минут после прекращения работы.

Электронная функция

Электрический тормоз

Этот инструмент оснащен электрическим тормозом диска. Если после отпускания триггерного переключателя не происходит быстрого прекращения работы инструмента, отправьте инструмент в сервисный центр Makita для обслуживания.

⚠ВНИМАНИЕ: Тормозная система диска не заменяет ограждение диска. Запрещается использовать инструмент без надлежащим образом установленного ограждения диска. Использование диска без ограждения может привести к серьезной травме.

Постоянный контроль скорости

Инструмент снабжен электронным регулятором скорости, который позволяет поддерживать постоянную скорость вращения диска даже под нагрузкой. Постоянная скорость вращения диска обеспечивает гладкий разрез.

Функция плавного запуска

Эта функция позволяет плавно включать инструмент путем ограничения пускового момента.

СБОРКА

▲ОСТОРОЖНО: Перед выполнением каких-либо работ на инструменте обязательно убедитесь, что он выключен, а аккумуляторный блок извлечен. Несоблюдение этого требования может стать причиной тяжелой травмы.

Хранение шестигранного ключа

Когда шестигранный ключ не используется, храните его, как показано на рисунке, чтобы не потерять.

► **Рис.36:** 1. Шестигранный ключ

Снятие и установка пильного диска

▲ОСТОРОЖНО: Убедитесь в том, что инструмент выключен, а блок аккумулятора извлечен, перед снятием и установкой диска циркулярной пилы. Случайное включение инструмента может привести к тяжелым травмам.

▲ОСТОРОЖНО: Для снятия или установки диска циркулярной пилы используйте только ключ Makita, входящий в комплект поставки. Несоблюдение этого требования может привести к слишком сильному или недостаточному затягиванию болта с внутренним шестигранником и, как следствие, к тяжелым травмам.

▲ОСТОРОЖНО: Запрещено использовать или устанавливать в качестве запасных те детали, которые не поставляются с этим инструментом. Использование таких деталей может привести к тяжелой травме.

▲ОСТОРОЖНО: После установки пильного диска убедитесь в том, что он надежно закреплен. Ненадежное крепление пильного диска может привести к тяжелой травме.

Снятие диска

Чтобы снять пильный диск, выполните следующие действия:

1. Зафиксируйте каретку в поднятом положении, потянув и повернув стопорный штифт в положение блокировки.

► **Рис.37:** 1. Стопорный штифт 2. Положение разблокировки 3. Положение блокировки

2. Ослабьте болт с внутренним шестигранником, удерживающий центральную крышку, используя шестигранный ключ. Затем поднимите ограждение диска и центральную крышку.

► **Рис.38:** 1. Шестигранный ключ 2. Болт с внутренним шестигранником 3. Центральная крышка 4. Ограждение диска

3. Нажмите фиксатор вала, чтобы заблокировать шпindel, и шестигранным ключом ослабьте болт с внутренним шестигранником, повернув его по часовой стрелке. Затем снимите болт с внутренним шестигранником, внешний фланец и диск циркулярной пилы.

► **Рис.39:** 1. Болт с внутренним шестигранником (с левой резьбой) 2. Наружный фланец 3. Фиксатор вала

4. В случае снятия внутреннего фланца установите его на шпindel таким образом, чтобы его утопленная часть была обращена к диску циркулярной пилы. Если установить фланец неправильно, он будет задевать инструмент.

Для инструмента с кольцом
(в зависимости от страны)

► **Рис.40:** 1. Болт с внутренним шестигранником (с левой резьбой) 2. Наружный фланец 3. Диск циркулярной пилы 4. Кольцо 5. Внутренний фланец 6. Шпindel 7. Утопленная часть

Для инструмента без кольца
(в зависимости от страны)

► **Рис.41:** 1. Болт с внутренним шестигранником (с левой резьбой) 2. Наружный фланец 3. Диск циркулярной пилы 4. Внутренний фланец 5. Шпindel 6. Утопленная часть

Установка диска

▲ОСТОРОЖНО: Перед установкой диска на шпindel всегда проверяйте, что между внутренним и внешним фланцами установлено кольцо с соответствующим отверстием для того диска, который вы собираетесь использовать. Использование неправильного кольца с отверстием может привести к неправильной установке диска, что вызовет его перемещение и сильную вибрацию, которая может стать причиной потери контроля над инструментом во время работы и причинения тяжелых травм.

▲ВНИМАНИЕ: Установите диск циркулярной пилы таким образом, чтобы направление стрелки на диске совпало с направлением стрелки на кожухе диска. Невыполнение этого требования может привести к травмам и повреждению инструмента и/или обрабатываемой детали.

Диаметры отверстий шпинделя диска циркулярной пилы могут различаться в зависимости от региона. Используйте кольцо надлежащего размера для крепления диска циркулярной пилы на шпинделе, если диаметр отверстия превышает диаметр шпинделя. Чтобы установить пильный диск, выполните следующие действия:

1. Аккуратно установите пильный диск на внутренний фланец. Убедитесь, что направление стрелки на пильном диске совпадает с направлением стрелки на кожухе диска.

► **Рис.42:** 1. Стрелка на кожухе диска 2. Стрелка на диске циркулярной пилы

2. Установите внешний фланец и болт с внутренним шестигранником, а затем надежно затяните болт с внутренним шестигранником, поворачивая его против часовой стрелки при помощи шестигранного ключа и одновременно нажимая фиксатор вала.

Для инструмента с кольцом
(в зависимости от страны)

► **Рис.43:** 1. Болт с внутренним шестигранником (с левой резьбой) 2. Наружный фланец 3. Диск циркулярной пилы 4. Кольцо 5. Внутренний фланец 6. Шпindelь 7. Утопленная часть

Для инструмента без кольца
(в зависимости от страны)

► **Рис.44:** 1. Болт с внутренним шестигранником (с левой резьбой) 2. Наружный фланец 3. Диск циркулярной пилы 4. Внутренний фланец 5. Шпindelь 6. Утопленная часть

3. Установите на место ограждение диска и центральную крышку. Затем затяните болт с внутренним шестигранником, поворачивая его по часовой стрелке, чтобы закрепить центральную крышку.

4. Потяните стопорный штифт и поверните его в положение разблокировки, чтобы вывести каретку из верхнего положения. Опустите каретку и убедитесь, что ограждение диска перемещается надлежащим образом.

ВНИМАНИЕ: Перед началом работы убедитесь в том, что фиксатор вала разблокировал шпindelь.

Подключение пылесоса

При необходимости выполнения чистого распиливания подключите пылесос Makita к пылесборному патрубку (верхнему отверстию для сбора пыли) с помощью переднего патрубка 24 (дополнительное приспособление).

► **Рис.45:** 1. Передние патрубки 24 2. Шланг 3. Пылесос

Пылесборный мешок

ВНИМАНИЕ: При резке обязательно присоединяйте пылесборный мешок или подключайте пылесос во избежание рисков, связанных с пылью.

Использование пылесборного мешка обеспечивает чистоту во время резания и удобный сбор пыли. Чтобы прикрепить пылесборный мешок, снимите шланг пылеудаления инструмента и присоедините мешок к пылесборному патрубку (верхнее отверстие для сбора пыли).

► **Рис.46:** 1. Шланг пылеудаления 2. Пылесборный мешок 3. Пылесборный патрубок (верхнее отверстие для сбора пыли)

Когда пылесборный мешок заполнится примерно наполовину, снимите его с инструмента и вытяните крепеж. Удалите содержимое пылесборного мешка, слегка ударив по нему, чтобы удалить прилипшие к внутренней части частицы, которые могут затруднить дальнейший сбор пыли.

► **Рис.47:** 1. Крепеж

Крепление обрабатываемой детали

ОСТОРОЖНО: Очень важно правильно закреплять деталь в тисках или в ограничителях. Невыполнение этого требования может привести к тяжелым травмам и повреждению инструмента и/или детали.

ОСТОРОЖНО: При резке детали, длина которой больше опорного основания торцовочной пилы, необходимо поддерживать выступающую часть детали по всей длине, чтобы деталь была ровной. Надлежащая опора детали поможет предотвратить защемление диска и возможную отдачу, которая может привести к тяжелым травмам. Не полагайтесь исключительно на вертикальные тиски и/или на горизонтальные тиски при креплении обрабатываемой детали. Тонкий материал подвержен прогибам. Обеспечьте опору для обрабатываемой детали по всей ее длине, чтобы избежать защемления диска и возможной ОТДАЧИ.

► **Рис.48:** 1. Опора 2. Поворотное основание

Направляющие линейки

ОСТОРОЖНО: Перед включением инструмента убедитесь, что верхнее ограждение надежно закреплено.

ОСТОРОЖНО: Перед срезанием фанки убедитесь в том, что инструмент (особенно пильный диск), не касается верхнего и нижнего ограждения при полном опускании и подъеме рукоятки, а также при перемещении каретки по всей длине. Если инструмент или диск коснется ограждения, это может привести к отдаче или неожиданному перемещению материала и, как следствие, к тяжелым травмам.

Используйте верхние ограждения для удерживания материала так, чтобы он не касался нижних ограждений. Вставьте верхнее ограждение в отверстие в нижнем ограждении и затяните зажимной винт.

► **Рис.49:** 1. Верхнее ограждение 2. Нижнее ограждение 3. Зажимной винт 4. Регулировочный винт

ПРИМЕЧАНИЕ: Нижние ограждения прикреплены к основанию на предприятии-изготовителе. Не снимайте нижние ограждения.

ПРИМЕЧАНИЕ: Если после затягивания зажимного винта верхнее ограждение осталось незакрепленным, поверните регулировочный винт для устранения зазора. Регулировочный винт отрегулирован на предприятии-изготовителе. Он используется только при необходимости.

Если верхнее ограждение не используется, его можно хранить на держателе. Используйте зажим на верхнем ограждении, чтобы прикрепить его к держателю.

► **Рис.50:** 1. Держатель 2. Верхнее ограждение 3. Зажим

Вертикальные тиски

⚠ ОСТОРОЖНО: При выполнении всех типов работ обрабатываемую деталь необходимо надежно фиксировать на поворотном основании и направляющей линейке тисками. Если деталь не прижата к ограждению должным образом, во время резания материал может сместиться и повредить диск циркулярной пилы. В таком случае возможны разлет осколков и потеря контроля над инструментом, что может стать причиной тяжелых травм.

Вертикальные тиски можно установить либо справа, либо слева от основания. Вставьте стержень тисков в отверстие основания.

► **Рис.51:** 1. Вертикальные тиски 2. Отверстие для вертикальных тисков 3. Основание

► **Рис.52:** 1. Ручка тисков 2. Стержень тисков 3. Зажимной винт 4. Головка тисков

Расположите кронштейн тисков исходя из толщины и формы обрабатываемой детали и закрепите кронштейн тисков, затянув винт. Если зажимной винт касается каретки, установите вертикальные тиски в противоположную сторону основания. Убедитесь в том, что никакая часть инструмента не соприкасается с тисками при полном опускании рукоятки. Если какая-либо часть касается тисков, отрегулируйте положение тисков.

Прижмите обрабатываемую деталь к направляющим линейкам и поворотному основанию. Расположите обрабатываемую деталь в необходимом для распиливания положении и надежно закрепите ее, затянув ручку тисков.

ПРИМЕЧАНИЕ: Для облегчения быстрой установки детали поверните ручку тисков на 90° против часовой стрелки, чтобы ручка могла двигаться вниз и вверх. Чтобы зафиксировать деталь после установки, поверните ручку тисков по часовой стрелке.

Горизонтальные тиски

Дополнительные принадлежности

⚠ ОСТОРОЖНО: Обязательно поворачивайте гайку тисков по часовой стрелке до полной фиксации детали. Если деталь не закреплена надлежащим образом, материал может сместиться во время резания и повредить диск циркулярной пилы; при этом возможен разлет осколков и потеря контроля над инструментом, что может стать причиной тяжелых травм.

⚠ ОСТОРОЖНО: При обработке тонких деталей (таких как плинтус) вплотную к ограждению обязательно используйте горизонтальные тиски.

⚠ ВНИМАНИЕ: При резке детали толщиной 20 мм и менее убедитесь, что для крепления детали используется распорный блок.

Горизонтальные тиски можно установить либо справа, либо слева от основания. При выполнении резки под углом 22,5° и более установите горизонтальные тиски на сторону, противоположную направлению поворота поворотного основания.

► **Рис.53:** 1. Пластина тисков 2. Гайка тисков 3. Головка тисков

Для того чтобы расфиксировать тиски с целью быстрой их подачи вперед или назад, поверните гайку тисков по часовой стрелке. Чтобы взяться за деталь, нажмите на ручку тисков вперед, чтобы пластина тисков коснулась детали, и поверните гайку тисков по часовой стрелке. Затем поверните ручку тисков по часовой стрелке, чтобы зафиксировать деталь.

ПРИМЕЧАНИЕ: Максимальная ширина обрабатываемой детали, которую можно закрепить с помощью горизонтальных тисков, составляет 228 мм.

Держатели

⚠ ОСТОРОЖНО: Обязательно поддерживайте длинные детали, чтобы они находились на одном уровне с верхней поверхностью поворотного основания. Это обеспечит точный разрез и предотвратит опасность потери контроля над инструментом. Надлежащая опора детали поможет предотвратить защемление диска и возможную отдачу, которая может привести к тяжелым травмам.

⚠ ОСТОРОЖНО: Прежде чем приступать к резке, убедитесь в том, что держатели закреплены винтами.

Для горизонтальной фиксации длинных деталей на обеих сторонах инструмента предусмотрены длинные держатели. Ослабьте винты и удлините держатели на необходимое расстояние для удерживания детали. Затем затяните винты.

► **Рис.54:** 1. Держатель 2. Винт

Во время резки размещайте заготовку ровно на направляющих линейках.

► **Рис.55:** 1. Направляющая линейка 2. Держатель

Подоснова

Дополнительные принадлежности

⚠ ОСТОРОЖНО: Обязательно поддерживайте длинные детали, чтобы они находились на одном уровне с верхней поверхностью поворотного основания. Это обеспечит точный разрез и предотвратит опасность потери контроля над инструментом. Надлежащая опора детали поможет предотвратить защемление диска и возможную отдачу, которая может привести к тяжелым травмам.

⚠ ОСТОРОЖНО: Прежде чем приступать к резке, убедитесь, что подоснова закреплена винтом.

ПРИМЕЧАНИЕ: Подробнее об установке можно прочитать в инструкциях, поставляемых вместе с дополнительными подосновами.

Установите дополнительную подоснову на основу, чтобы обеспечить более надежное крепление длинных деталей. Ослабьте винт и выдвиньте подоснову на необходимое расстояние для фиксации детали. Затем затяните винт.

► **Рис.56:** 1. Подоснова 2. Винт

Во время резки размещайте обрабатываемую деталь ровно на направляющей линейке и вспомогательной линейке на подоснове.

► **Рис.57:** 1. Направляющая линейка
2. Вспомогательная линейка
3. Подоснова

Регулировка вспомогательной линейки

Отрегулируйте вспомогательную линейку на подоснове, если она не совмещена с направляющими линейками.

1. Шестигранным ключом ослабьте болты, которыми крепится вспомогательная линейка.
2. Ровно поместите прямой жесткий прут, например прямоугольный стальной элемент, на направляющую линейку.
3. Пока прут лежит ровно на направляющей линейке, поместите вспомогательную линейку таким образом, чтобы ее передняя сторона ровно прилегла к пруту. После этого затяните болты.

► **Рис.58:** 1. Болт 2. Вспомогательная линейка
3. Направляющая линейка 4. Жесткий прут

ЭКСПЛУАТАЦИЯ

Этот инструмент предназначен для резки лесоматериалов. При использовании соответствующих оригинальных пильных дисков Makita также возможно распиливание указанных далее материалов:

— алюминий

Посетите наш веб-сайт или обратитесь к местному дилеру компании Makita для получения информации о подходящих для разрезаемого материала дисках дисковой пилы.

▲ОСТОРОЖНО: Перед включением выключателя убедитесь в том, что пильный диск не касается детали. Включение инструмента, когда диск касается детали, может привести к возникновению отдачи и тяжелым травмам.

▲ОСТОРОЖНО: После завершения распиливания не поднимайте пильный диск до тех пор, пока он не остановится полностью. Поднятие вращающегося диска может привести к тяжелым травмам и повреждению обрабатываемой детали.

▲ОСТОРОЖНО: Не выполняйте регулировку: не поворачивайте рукоятку, круглую ручку и рычаги инструмента при вращающемся пильном диске. Выполнение регулировки при вращающемся диске может привести к тяжелым травмам.

ПРИМЕЧАНИЕ: Перед использованием убедитесь, что стопорный штифт разблокирован, и освободите рукоятку из нижнего положения.

ПРИМЕЧАНИЕ: Не оказывайте чрезмерное давление на рукоятку при распиливании. Избыточное усилие может привести к перегрузке двигателя и/или снижению эффективности резки. Нажимайте на рукоятку только с тем усилием, которое необходимо для плавной резки и без значительного снижения скорости диска.

ПРИМЕЧАНИЕ: Осторожно надавите на рукоятку для выполнения распиливания. Если нажать на рукоятку с усилием или приложить боковое усилие, диск будет вибрировать и оставит след (след пилы) на обрабатываемой детали, что может привести к снижению точности распила.

ПРИМЕЧАНИЕ: При выполнении скользящего распила осторожно давите на каретку в сторону направляющей линейки без останки. Если остановить движение каретки во время резки, на обрабатываемой детали останется след, а точность резки будет снижена.

Резка с нажимом

▲ОСТОРОЖНО: Всегда блокируйте скользящую каретку при выполнении резки с нажимом. Резка при отсутствии блокировки может вызвать отдачу и привести к тяжелым травмам.

Детали высотой 68 мм и шириной 160 мм можно распилить следующим образом.

► **Рис.59:** 1. Стопорный штифт

1. Давите на каретку в сторону направляющей линейки, пока она не остановится, и блокируйте ее с помощью стопорного штифта.
2. Закрепите деталь в тисках соответствующего типа.
3. Включите инструмент, следя за тем, чтобы пильный диск не соприкасался с заготовкой, и подождите, пока диск не наберет максимальную скорость, прежде чем снижать ее.
4. Затем плавно опустите ручку в крайнее нижнее положение, чтобы распилить обрабатываемую деталь.
5. По завершении резки отключите инструмент и дождитесь полной остановки пильного диска, перед тем как перевести его в крайнее верхнее положение.

Скользкий распил (с проталкиванием) (распил широких деталей)

⚠ ОСТОРОЖНО: При выполнении распиливания сначала полностью переместите каретку к себе и нажмите рукоятку вниз до упора, затем сдвиньте каретку к направляющей линейке. Не начинайте распиливание, пока каретка не сдвинута полностью в сторону оператора. В противном случае возможна неожиданная отдача и получение тяжелых травм.

⚠ ОСТОРОЖНО: Не пытайтесь выполнять распиливание, двигая каретку на себя. В этом случае возможна неожиданная отдача и получение тяжелых травм.

⚠ ОСТОРОЖНО: Запрещается выполнять распил, если рукоятка зафиксирована в нижнем положении.

► **Рис.60:** 1. Стопорный штифт

1. Ослабьте стопорный штифт, чтобы обеспечить свободное перемещение каретки.
2. Закрепите деталь в тисках соответствующего типа.
3. Подайте каретку полностью на себя.
4. Включите инструмент. При этом пильный диск не должен соприкасаться с обрабатываемой деталью. Дождитесь, пока он не наберет максимальную скорость.
5. Нажмите на ручку вниз и **подайте каретку к направляющей линейке** через обрабатываемую деталь.
6. По завершении распиливания отключите инструмент и **дождитесь полной остановки** пильного диска, перед тем как перевести его в крайнее верхнее положение.

Резка под углом

См. раздел “Регулировка угла резки”.

Резка со скосом

⚠ ОСТОРОЖНО: После настройки диска для резки со скосом убедитесь в том, что каретка и пильный диск смогут свободно перемещаться по всей длине предполагаемого разреза, прежде чем приступить к работе с инструментом. Помехи при движении каретки или диска во время распиливания могут привести к возникновению отдачи и тяжелым травмам.

⚠ ОСТОРОЖНО: Во время резки со скосом руки оператора не должны находиться на траектории движения пильного диска. Наклон диска может ввести в заблуждение относительно фактической траектории диска во время резания, и контакт с диском приведет к тяжелым травмам.

⚠ ОСТОРОЖНО: Пильный диск нельзя поднимать до его полной остановки. Во время резки со скосом отрезанные части могут попасть под пильный диск. Если поднять вращающийся диск, отрезанная часть детали может быть отброшена с высокой скоростью, вследствие чего материал может разрушиться и причинить тяжелые травмы.

ПРИМЕЧАНИЕ: При нажатии на рукоятку прилагайте давление параллельно диску. Если прилагать усилие перпендикулярно поворотному основанию или изменить направление давления во время резки, это приведет к снижению точности.

► **Рис.61**

1. Снимите верхнее ограждение на той стороне, на которую производится наклон каретки.
2. Ослабьте стопорный штифт.
3. Отрегулируйте угол скоса согласно процедуре, изложенной в разделе “Регулировка угла скоса”. Затем затяните круглую ручку.
4. Надежно закрепите обрабатываемую деталь в тисках.
5. Подайте каретку полностью на себя.
6. Включите инструмент - при этом режущий диск не должен соприкасаться с обрабатываемой деталью - и дождитесь пока он не наберет максимальные обороты.
7. Затем осторожно опустите рукоятку в нижнее положение, прилагайте давление параллельно диску, и **переместите каретку к направляющей линейке для распила обрабатываемой детали.**
8. По завершении распиливания выключите инструмент и **дождитесь полного останова режущего диска** перед тем, как перевести его в крайнее верхнее положение.

Сложная резка

Сложная резка представляет собой процесс, при котором резка со скосом применяется одновременно с резкой под углом. Сложную резку можно выполнять под углами, указанными в таблице.

Угол резки	Угол скоса
Влево и вправо 0° — 45°	Влево и вправо 0° — 45°

При выполнении сложной резки см. объяснения в разделах “Резка с нажимом”, “Скользкий распил (с проталкиванием)”, “Резка под углом” и “Резка со скосом”.

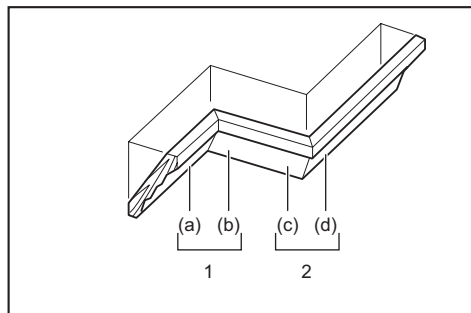
Обработка поясков и погонажа с закругленным углублением

Пояски и погонаж с закругленным углублением можно распиливать на пиле для сложной угловой резки. Для этого детали укладываются плашмя на поворотное основание.

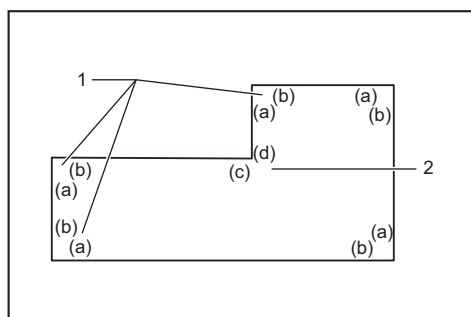
Существуют два основных типа поясков и один тип погонажа с закругленным углублением: пояски со стеновым углом 52/38°, пояски со стеновым углом 45° и погонаж со стеновым углом 45°.

- **Рис.62:**
1. Поясок со стеновым углом 52/38°
 2. Поясок со стеновым углом 45°
 3. Погонаж со стеновым углом 45°

Имеются стыковые детали для поясков и погонажа с закругленным углублением для следующих типов углов: "внутренние" углы 90° ((a) и (b) на рисунке) и "внешние" углы 90° ((c) и (d) на рисунке).

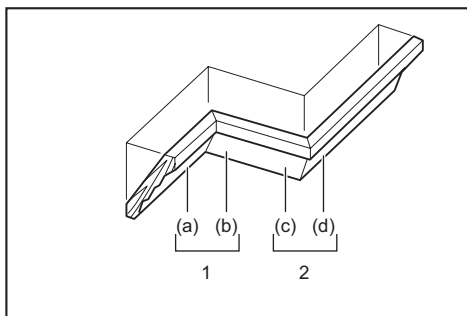


1. Внутренний угол 2. Наружный угол



1. Внутренний угол 2. Наружный угол

В случае снятия левой фаски



1. Внутренний угол 2. Наружный угол

Таблица (А)

—	Положение пояска на рисунке	Угол скоса		Угол резки	
		Тип 52/38°	Тип 45°	Тип 52/38°	Тип 45°
Для внутреннего угла	(a)	Левый 33,9°	Левый 30°	Правый 31,6°	Правый 35,3°
	(b)			Левый 31,6°	Левый 35,3°
Для наружного угла	(c)			Правый 31,6°	Правый 35,3°
	(d)				

Таблица (В)

—	Положение пояска на рисунке	Край пояска у ограждения направляющей	Готовая деталь
Для внутреннего угла	(a)	Край, касающийся потолка, должен находиться рядом с ограждением направляющей.	Готовая деталь будет находиться с левой стороны от ножа.
	(b)	Край, касающийся стены, должен находиться рядом с ограждением направляющей.	
Для наружного угла	(c)	Край, касающийся потолка, должен находиться рядом с ограждением направляющей.	Готовая деталь будет находиться с правой стороны от ножа.
	(d)	Край, касающийся потолка, должен находиться рядом с ограждением направляющей.	

Измерение

Измерьте ширину стены и отрегулируйте ширину обрабатываемой детали соответствующим образом. Обязательно убедитесь, что ширина края детали, контактирующего со стеной, совпадает с длиной стены.

► **Рис.63:** 1. Обрабатываемая деталь 2. Ширина стены 3. Ширина обрабатываемой детали 4. Край детали, контактирующий со стеной

Обязательно используйте несколько заготовок для пробных срезов, чтобы проверить угол установки пилы.

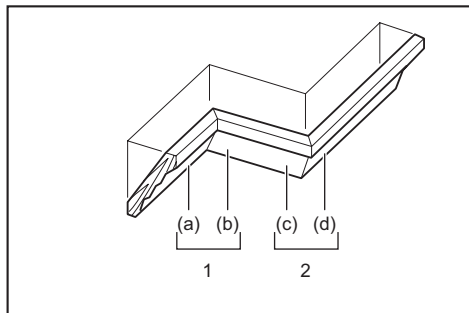
При обрезке поясков и погонажа с закругленным углублением устанавливайте угол фаски и угол отрезки как показано в таблице (А) и устанавливайте детали на верхнюю поверхность основания пилы как указано в таблице (В).

Пример:

В случае отрезания пояска типа 52/38° для положения (а) на рисунке выше:

- Наклоните и зафиксируйте угол фаски 33,9° ЛЕВ.
- Отрегулируйте и зафиксируйте угол отрезки 31,6° ПРАВ.
- Положите поясок широкой стороной (обратной) на поворотное основание так, чтобы КРАЙ, КОНТАКТИРУЮЩИЙ С ПОТОЛКОМ, был прижат к направляющей линейке на пиле.
- После обрезки готовая деталь будет всегда находиться с ЛЕВОЙ стороны от диска пилы.

В случае резки со скосом вправо



1. Внутренний угол 2. Наружный угол

Таблица (А)

–	Положение пояска на рисунке	Угол скоса		Угол резки	
		Тип 52/38°	Тип 45°	Тип 52/38°	Тип 45°
Для внутреннего угла	(а)	Правый 33,9°	Правый 30°	Правый 31,6°	Правый 35,3°
	(б)			Левый 31,6°	Левый 35,3°
Для наружного угла	(с)				
	(д)				

Таблица (В)

–	Положение пояска на рисунке	Край пояска у ограждения направляющей	Готовая деталь
Для внутреннего угла	(а)	Край, касающийся стены, должен находиться рядом с ограждением направляющей.	Готовая деталь будет находиться с правой стороны от ножа.
	(б)	Край, касающийся потолка, должен находиться рядом с ограждением направляющей.	
Для наружного угла	(с)	Край, касающийся стены, должен находиться рядом с ограждением направляющей.	Готовая деталь будет находиться с левой стороны от ножа.
	(д)	Край, касающийся потолка, должен находиться рядом с ограждением направляющей.	

Пример:

В случае отрезания пояска типа 52/38° для положения (а) на рисунке выше:

- Наклоните и зафиксируйте угол фаски 33,9° ПРАВЫЙ.
- Отрегулируйте и зафиксируйте угол отрезки 31,6° ПРАВ.
- Положите поясок широкой стороной (обратной) на поворотное основание так, чтобы КРАЙ, КОНТАКТИРУЮЩИЙ СО СТЕНОЙ, был прижат к направляющей линейке на пиле.
- После обрезки готовая деталь будет всегда находиться с ПРАВОЙ стороны от диска пилы.

Ограничитель пояска

Дополнительные принадлежности

Ограничители пояска облегчают отрезание поясков без наклона диска пилы. Устанавливайте их на поворотное основание, как показано на рисунках.

Правый угол отрезки 45°

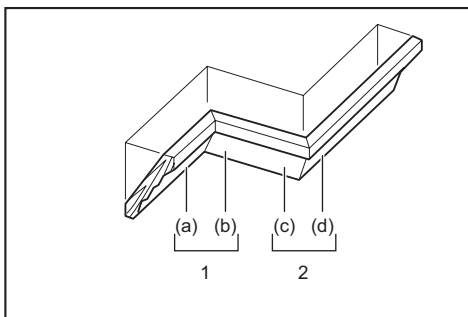
- **Рис.64:** 1. Ограничитель пояска Л
2. Ограничитель пояска П 3. Поворотное основание 4. Направляющая линейка

Левый угол отрезки 45°

- **Рис.65:** 1. Ограничитель пояска Л
2. Ограничитель пояска П 3. Поворотное основание 4. Направляющая линейка

Расположите поясок так, чтобы КРАЙ, КОНТАКТИРУЮЩИЙ СО СТЕНОЙ, упирался в ограждение направляющей, а КРАЙ, КОНТАКТИРУЮЩИЙ С ПОТОЛКОМ - в ограничители, как показано на рисунке. Отрегулируйте положение ограничителей пояска в соответствии с его размером. Затяните винты крепления ограничителей пояска. О настройке угла отрезки см. в таблице (С).

- **Рис.66:** 1. Направляющая линейка
2. Ограничитель пояска



1. Внутренний угол 2. Наружный угол

Таблица (С)

–	Положение пояска на рисунке	Угол резки	Готовая деталь
Для внутреннего угла	(а)	Правый 45°	Сохранять правую сторону ножа
	(б)	Левый 45°	Сохранять левую сторону ножа
Для наружного угла	(с)		Сохранять правую сторону ножа
	(д)	Правый 45°	Сохранять левую сторону ножа

Резка алюминиевого профиля

- **Рис.67:** 1. Тиски 2. Распорный блок 3. Направляющая линейка 4. Алюминиевый профиль 5. Распорный блок

При креплении алюминиевого профиля используйте распорные блоки или детали металлолома, как показано на рисунке, чтобы предотвратить деформацию алюминия. При резке алюминиевого профиля используйте для резки смазочно-охлаждающую жидкость, чтобы предотвратить накопление алюминиевого материала на пыльном диске.

▲ ОСТОРОЖНО: Никогда не пытайтесь резать толстый или круглый алюминиевый профиль. Толстые или круглые алюминиевые детали трудно закрепить, во время резания они могут сорваться, вызвать потерю контроля над инструментом и причинить тяжелые травмы.

Резка пазов

▲ ОСТОРОЖНО: Не пытайтесь выполнять такую резку при помощи более широкого диска или диска для выборки пазов. Попытка сделать надрез с помощью широкого диска или диска для выборки пазов может привести к неожиданным результатам и возникновению отдачи, которые могут стать причиной тяжелых травм.

▲ ОСТОРОЖНО: Обязательно возвращайте ограничительный рычаг в исходное положение, если выполняете какой-либо разрез кроме выборки паза. Попытка резки с ограничительным рычагом в неправильном положении может привести к неожиданным результатам и возникновению отдачи, которые могут стать причиной тяжелых травм.

Для вырезания соединительного прямоугольного паза выполните следующие действия:

1. Отрегулируйте нижнее предельное положение пыльного диска регулировочным винтом и стопорным рычагом, чтобы ограничить глубину резки пыльного диска. См. раздел “Стопорный рычаг”.

2. После регулировки нижнего предельного положения пыльного диска вырежьте параллельные пазы по всей ширине обрабатываемой детали с помощью скользящего (с нажимом) разреза.

► **Рис.68:** 1. Вырежьте пазы лезвием

3. Удалите материал из обрабатываемой детали между пазами с помощью стамески.

Переноска инструмента

Перед перемещением инструмента извлеките блок аккумулятора и зафиксируйте все движущиеся части торцовочной пилы. Всегда проверяйте, выполнены ли следующие условия:

- Блок аккумулятора извлечен из инструмента.
- Угол скоса каретки составляет 0°, каретка зафиксирована.
- Каретка зафиксирована в нижнем положении.
- Каретка полностью опущена до направляющих линеек и зафиксирована.
- Поворотное основание зафиксировано под прямым углом резки.
- Держатели сложены и зафиксированы.

Переносите инструмент, держась за обе стороны основания инструмента.

► **Рис.69**

▲ ОСТОРОЖНО: Стопорный штифт для подъема каретки предназначен исключительно для переноски и хранения, а не для распиливания. Использование стопорного штифта для распиливания может вызвать неожиданное перемещение диска циркулярной пилы, что приведет к отдаче и тяжелым травмам.

▲ ВНИМАНИЕ: Перед переноской инструмента обязательно закрепите все подвижные части. Если во время переноски какие-либо компоненты инструмента движутся или скользят, можно потерять контроль над инструментом и получить тяжелую травму.

▲ ВНИМАНИЕ: Убедитесь в том, что каретка правильно зафиксирована в нижнем положении стопорным штифтом. Если стопорный штифт вошел в контакт неправильно, каретка может внезапно подскочить, что может стать причиной травмы.

ФУНКЦИЯ БЕСПРОВОДНОЙ АКТИВАЦИИ

Что позволяет делать функция беспроводной активации

Функция беспроводной активации обеспечивает беспрепятственную и удобную работу. Подключив к инструменту поддерживаемый пылесос, можно его автоматически запускать, используя переключатель инструмента.

► **Рис.70**

Чтобы использовать функцию беспроводной активации, подготовьте следующие компоненты:

- Беспроводной блок (Дополнительные принадлежности)
- Пылесос, который поддерживает функцию беспроводной активации

Обзор настройки функции беспроводной активации выглядит следующим образом. Подробные процедуры см. в каждом разделе.

1. Установка беспроводного блока
2. Регистрация инструмента для пылесоса
3. Запуск функции беспроводной активации

Установка беспроводного блока

Дополнительные принадлежности

ВНИМАНИЕ: При установке беспроводного блока поместите инструмент на ровную и устойчивую поверхность.

ПРИМЕЧАНИЕ: Перед началом установки беспроводного блока очистите пыль и грязь на инструменте. Если пыль или грязь попадет в гнездо беспроводного блока, это может привести к неисправности.

ПРИМЕЧАНИЕ: Во избежание сбоев, вызванных статическим электричеством, прежде чем поднимать беспроводной блок, прикоснитесь к материалу, позволяющему снять статический заряд, например, к металлической части инструмента.

ПРИМЕЧАНИЕ: При установке беспроводного блока всегда следите за тем, чтобы беспроводной блок был вставлен в правильное направление, и крышка была полностью закрыта.

1. Откройте крышку на инструменте, как показано на рисунке.

► **Рис.71:** 1. Крышка

2. Вставьте беспроводной блок в гнездо и закройте крышку.

При вставке беспроводного блока выровняйте выступы с углубленными участками в гнезде.

► **Рис.72:** 1. Беспроводной блок 2. Защита 3. Крышка 4. Углубленный участок

При извлечении беспроводного блока медленно откройте крышку. Если потянуть крышку, то крючки на обратной стороне крышки поднимут беспроводной блок.

► **Рис.73:** 1. Беспроводной блок 2. Крючок 3. Крышка

После извлечения беспроводного блока поместите его в поставляемый футляр или в контейнер без статического электричества.

ПРИМЕЧАНИЕ: Для снятия беспроводного блока обязательно используйте крючки на обратной стороне крышки. Если крючки не захватывают беспроводной блок, полностью закройте крышку и снова медленно откройте ее.

Регистрация инструмента для пылесоса

ПРИМЕЧАНИЕ: Для регистрации инструмента необходим пылесос Makita, поддерживающий функцию беспроводной активации.

ПРИМЕЧАНИЕ: Перед началом регистрации инструмента завершите установку беспроводного блока в инструмент.

ПРИМЕЧАНИЕ: Не включайте следующие переключатели во время регистрации инструмента:

- триггерный переключатель на инструменте
- переключатель пылесоса на инструменте
- переключатель питания на пылесосе

ПРИМЕЧАНИЕ: См. также руководство по эксплуатации пылесоса.

Если необходимо активировать пылесос одновременно с переключением инструмента, сначала завершите регистрацию инструмента.

1. Установите аккумулятор в пылесос и инструмент.

2. Установите выключатель режима ожидания на пылесосе в положение «АUTO» (автоматический).

► **Рис.74:** 1. Выключатель режима ожидания

3. Нажмите и удерживайте кнопку беспроводной активации на пылесосе в течение 3 секунд, пока лампа беспроводной активации не замигает зеленым цветом. Затем таким же образом нажмите кнопку беспроводной активации на инструменте.

► **Рис.75:** 1. Кнопка беспроводной активации 2. Лампа беспроводной активации

Если пылесос и инструмент надежно соединены друг с другом, то лампы беспроводной активации будут гореть зеленым светом в течение 2 секунд, затем начнут мигать синим цветом.

ПРИМЕЧАНИЕ: Через 20 секунд лампы беспроводной активации связи закончат мигать зеленым цветом. Если на пылесосе мигает лампа беспроводной активации, нажмите кнопку беспроводной активации на инструменте. Если лампа беспроводной активации не мигает зеленым цветом, нажмите кнопку беспроводной активации на короткое время, а затем снова удерживайте ее.

ПРИМЕЧАНИЕ: При выполнении двух или более регистраций инструмента для одного пылесоса завершите регистрацию инструмента одну за другой.

Запуск функции беспроводной активации

ПРИМЕЧАНИЕ: Перед беспроводной активацией завершите регистрацию инструмента для пылесоса.

ПРИМЕЧАНИЕ: См. также руководство по эксплуатации пылесоса.

После регистрации инструмента для пылесоса можно использовать переключатель инструмента для автоматического запуска пылесоса. Нажмите триггерный переключатель на инструменте, чтобы задействовать пылесос во время работы. Пылесос также включается при нажатии кнопки пылесоса на инструменте во время каждого резания.

► **Рис.76**

1. Установите беспроводной блок в инструмент.
2. Подсоедините шланг пылесоса к инструменту.

► **Рис.77**

3. Установите выключатель режима ожидания на пылесосе в положение «АУТО» (автоматический).

► **Рис.78:** 1. Выключатель режима ожидания

4. На короткое время нажмите кнопку беспроводной активации на инструменте. Лампа беспроводной активации мигает синим цветом.

► **Рис.79:** 1. Кнопка беспроводной активации
2. Лампа беспроводной активации

5. Потяните триггерный переключатель инструмента. Проверьте, работает ли пылесос при нажатии триггерного переключателя.

6. Нажмите кнопку пылесоса для включения пылесоса. Убедитесь, что лампа беспроводной активации загорается синим и пылесос продолжает работать до повторного нажатия кнопки.

7. Для прекращения работы пылесоса отпустите триггерный переключатель или нажмите кнопку пылесоса еще раз. Пылесос выключается через несколько секунд после переключения, после чего лампа начинать мигать синим.

ПРИМЕЧАНИЕ: Состояние переключения (включение/выключение пылесоса) можно определить по лампе беспроводной активации. Подробную информацию см. в разделе с описанием состояния лампы беспроводной активации.

8. Чтобы остановить беспроводную активацию пылесоса, нажмите кнопку беспроводной активации на инструменте.

ПРИМЕЧАНИЕ: Если в течение 2 часов не будет выполняться никаких действий, то лампа беспроводной активации на инструменте перестанет мигать синим цветом. В этом случае установите выключатель режима ожидания на пылесосе в положение «АУТО» и снова нажмите кнопку беспроводной активации на инструменте.

ПРИМЕЧАНИЕ: Пылесос запускается/останавливается с задержкой. Когда пылесос обнаруживает переключение выключателя инструмента, возникает временная задержка.









ПРИМЕЧАНИЕ: Дальность передачи беспроводного блока может варьироваться в зависимости от местоположения и окружающих предметов.

ПРИМЕЧАНИЕ: Если на одном пылесосе зарегистрировано два или более инструментов, пылесос может начать работать, даже если триггерный переключатель не нажат, или кнопка пылесоса может включиться, поскольку другой пользователь использует функцию беспроводной активации.

Описание статуса лампы беспроводной активации

► **Рис.80:** 1. Лампа беспроводной активации

Лампа беспроводной активации отображает состояние функции беспроводной активации. Значения состояния лампы см. в таблице ниже.

Состояние	Лампа беспроводной активации				Описание
	Цвет	 Вкл	 Мигает	Продолжительность	
Ожидание	Синий			2 часа	Доступна беспроводная активация пылесоса. Если в течение 2 часов не будет выполняться никаких операций, лампа автоматически выключится.
				Пока инструмент работает.	Доступна беспроводная активация пылесоса, инструмент работает.
Регистрация инструмента	Зеленая			20 секунд	Готовность к регистрации инструмента. Ожидание регистрации пылесосом.
				2 секунды	Регистрация инструмента завершена. Лампа беспроводной активации начнет мигать синим цветом.
Отмена регистрации инструмента	Красная			20 секунд	Готовность к отмене регистрации инструмента. Ожидание отмены пылесосом.
				2 секунды	Отмена регистрации инструмента завершена. Лампа беспроводной активации начнет мигать синим цветом.
Прочие	Красная			3 секунд	На беспроводной блок подается питание, и запускается функция беспроводной активации.
	Выкл	-		-	Беспроводная активация пылесоса прекращается.

Отмена регистрации инструмента для пылесоса

При отмене регистрации инструмента для пылесоса выполните следующую процедуру.

1. Установите аккумулятор в пылесос и инструмент.
2. Установите выключатель режима ожидания на пылесосе в положение «АУТО» (автоматический).

► **Рис.81:** 1. Выключатель режима ожидания

3. Нажмите и удерживайте кнопку беспроводной активации на пылесосе в течение 6 секунд. Лампа беспроводной активации мигает зеленым, а затем переключается на красный цвет. После этого нажмите кнопку беспроводной активации на инструменте таким же образом.

► **Рис.82:** 1. Кнопка беспроводной активации
2. Лампа беспроводной активации

Если отмена выполнена успешно, лампы беспроводной активации загорятся красным цветом на 2 секунды и начнут мигать синим цветом.

ПРИМЕЧАНИЕ: По истечении 20 секунд лампы беспроводной активации прекращают мигать красным цветом. Если на пылесосе мигает лампа беспроводной активации, нажмите кнопку беспроводной активации на инструменте. Если лампа беспроводной активации не мигает красным цветом, нажмите кнопку беспроводной активации на короткое время, а затем снова удерживайте ее.

Поиск и устранение неисправностей для функции беспроводной активации

Прежде чем обращаться по поводу ремонта, проведите осмотр самостоятельно. Если обнаружена неисправность, не указанная в руководстве, не пытайтесь разобрать инструмент. Обратитесь в один из авторизованных сервисных центров Makita, в которых для ремонта всегда используются оригинальные детали Makita.

Состояние неисправности	Возможная причина (неисправности)	Способ устранения
Лампа беспроводной активации не горит/мигает.	Беспроводной блок не установлен в инструмент. Беспроводной блок неправильно установлен в инструмент.	Правильно установите беспроводной блок.
	Грязь на клемме беспроводного блока и/или гнезда.	Аккуратно вытрите пыль и грязь на клемме беспроводного блока и очистите гнездо.
	Не нажата кнопка беспроводной активации на инструменте.	На короткое время нажмите кнопку беспроводной активации на инструменте.
	Выключатель режима ожидания на пылесосе не установлен в положение «АУТО» (автоматический).	Установите выключатель режима ожидания на пылесосе в положение «АУТО» (автоматический).
	Отсутствует электропитание	Подайте питание на инструмент и пылесос.
Не удается успешно завершить регистрацию/отмену регистрации инструмента.	Беспроводной блок не установлен в инструмент. Беспроводной блок неправильно установлен в инструмент.	Правильно установите беспроводной блок.
	Грязь на клемме беспроводного блока и/или гнезда.	Аккуратно вытрите пыль и грязь на клемме беспроводного блока и очистите гнездо.
	Выключатель режима ожидания на пылесосе не установлен в положение «АУТО» (автоматический).	Установите выключатель режима ожидания на пылесосе в положение «АУТО» (автоматический).
	Отсутствует электропитание	Подайте питание на инструмент и пылесос.
	Неверная операция	На короткое время нажмите кнопку беспроводной активации и снова выполните процедуру регистрации/отмены.
	Большое расстояние между инструментом и пылесосом (вне диапазона передачи).	Расположите инструмент и пылесос ближе друг к другу. Максимальное расстояние передачи составляет приблизительно 10 м, однако оно может изменяться в зависимости от обстоятельств.
	Перед завершением регистрации инструмента/отменой; - был нажат триггерный переключатель на инструменте; или - на инструменте была нажата кнопка включения пылесоса; или - была нажата кнопка питания на пылесосе.	На короткое время нажмите кнопку беспроводной активации и снова выполните процедуру регистрации/отмены.
	Процедура регистрации инструмента для инструмента или пылесоса не завершена.	Одновременно выполните процедуры регистрации инструмента для инструмента и для пылесоса.
Радиопомехи от других приборов, которые генерируют радиоволны высокой интенсивности.	Избегайте эксплуатации инструмента и пылесоса рядом с такими приборами, как устройства Wi-Fi и микроволновые печи.	

Состояние неисправности	Возможная причина (неисправности)	Способ устранения
Пылесос не работает при использовании переключателя инструмента.	Беспроводной блок не установлен в инструмент. Беспроводной блок неправильно установлен в инструмент.	Правильно установите беспроводной блок.
	Грязь на клемме беспроводного блока и/или гнезда.	Аккуратно вытрите пыль и грязь на клемме беспроводного блока и очистите гнездо.
	Не нажата кнопка беспроводной активации на инструменте.	На короткое время нажмите кнопку беспроводной активации и убедитесь в том, что лампа беспроводной активации мигает синим цветом.
	Выключатель режима ожидания на пылесосе не установлен в положение «АУТО» (автоматический).	Установите выключатель режима ожидания на пылесосе в положение «АУТО» (автоматический).
	В пылесосе зарегистрировано более 10 инструментов.	Выполните повторную регистрацию инструмента. Если в пылесосе зарегистрировано более 10 инструментов, инструмент, зарегистрированный самым первым, будет автоматически отменен.
	Пылесосу не удалось успешно зарегистрировать инструменты.	Возобновите процедуру регистрации инструмента.
	Пылесос удалил все записи регистрации инструментов.	Выполните повторную регистрацию инструмента.
	Отсутствует электропитание	Подайте питание на инструмент и пылесос.
	Большое расстояние между инструментом и пылесосом (вне диапазона передачи).	Расположите инструмент и пылесос ближе друг к другу. Максимальное расстояние передачи составляет приблизительно 10 м, однако оно может изменяться в зависимости от обстоятельств.
	Радиопомехи от других приборов, которые генерируют радиоволны высокой интенсивности.	Избегайте эксплуатации инструмента и пылесоса рядом с такими приборами, как устройства Wi-Fi и микроволновые печи.
Пылесос работает, когда переключатели инструмента не были активированы.	Другие пользователи используют беспроводную активацию пылесоса с помощью своих инструментов.	Отключите кнопку беспроводной активации других инструментов или отмените регистрацию инструмента для других инструментов.

ОБСЛУЖИВАНИЕ

⚠ ОСТОРОЖНО: Перед проведением проверки или работ по техобслуживанию необходимо убедиться, что инструмент выключен, а блок аккумулятора снят. Если блок аккумулятора не снят и инструмент не выключен, возможны тяжелые травмы из-за случайного включения инструмента.

⚠ ОСТОРОЖНО: Всегда следите за заточкой и чистой пыльной диска для обеспечения максимальной эффективности и безопасной работы. Использование тупого или загрязненного диска может привести к возникновению отдачи и тяжелым травмам.

⚠ ВНИМАНИЕ: Перед осмотром или обслуживанием инструмента обязательно убедитесь, что ограждение диска закрыто в исходном положении. Запрещается фиксировать или привязывать ограждение диска в открытом положении во время очистки инструмента. Диск без ограждения может нанести травму.

ПРИМЕЧАНИЕ: Запрещается использовать бензин, растворители, спирт и другие подобные жидкости. Это может привести к обесцвечиванию, деформации и трещинам.

Для обеспечения БЕЗОПАСНОСТИ и НАДЕЖНОСТИ оборудования ремонт, любое другое техобслуживание или регулировку необходимо производить в уполномоченных сервис-центрах Makita или сервис-центрах предприятия с использованием только сменных частей производства Makita.

Регулировка угла резки

Данный инструмент тщательно отрегулирован и выверен на предприятии-изготовителе, но грубая эксплуатация может нарушить регулировку. Если регулировка вашего инструмента нарушена, выполните следующее:

Угол резки

Полностью опустите ручку и зафиксируйте ее в опущенном положении с помощью стопорного штифта. Переместите каретку по направлению к направляющей линейке. Поверните рукоятку против часовой стрелки и подготовьте поворотное основание к включению функции блокировки с помощью неподвижного упора, используя рычаг блокировки. Затем ослабьте винты, фиксирующие указатель и шкалу угла резки.

- **Рис.83:** 1. Рукоятка 2. Рычаг блокировки 3. Винт указателя 4. Винты шкалы угла резки 5. Шкала угла резки

Установите поворотное основание в положение 0°, используя функцию блокировки с помощью неподвижного упора. Установите диск циркулярной пилы под прямым углом к поверхности направляющей линейки с помощью треугольной линейки или угольника. Сохраняя прямой угол, затяните винты шкалы угла резки. После этого выровняйте указатели (правый и левый) в соответствии с положением 0° на шкале угла резки и затяните винт указателя.

► **Рис.84:** 1. Треугольная линейка 2. Указатель

Угол скоса

Угол скоса в 0°

Переместите каретку по направлению к направляющим линейкам и блокируйте ее скольжение стопорным штифтом. Полностью опустите каретку и зафиксируйте ее в опущенном положении с помощью стопорного штифта. Поверните круглую ручку против часовой стрелки, а затем поверните регулировочный болт 0° на два-три оборота против часовой стрелки, чтобы наклонить диск циркулярной пилы вправо.

► **Рис.85:** 1. Круглая ручка 2. Регулировочный болт 0° 3. Винт указателя

Тщательно установите диск циркулярной пилы под прямым углом к верхней поверхности поворотного основания с помощью треугольной линейки, угольника и т. д., поворачивая регулировочный болт 0° по часовой стрелке. Затем затяните круглую ручку, чтобы зафиксировать установленный угол 0°.

► **Рис.86:** 1. Треугольная линейка 2. Пильный диск 3. Верхняя поверхность поворотного основания

Еще раз убедитесь в том, что сторона диска циркулярной пилы расположена под прямым углом к поверхности поворотного основания. Ослабьте винт на указателе. Совместите указатель с положением 0° на шкале скоса и затяните винт.

Угол скоса в 45°

ПРИМЕЧАНИЕ: Перед регулировкой угла скоса 45° завершите регулировку угла скоса 0°.

Ослабьте круглую ручку и полностью наклоните каретку на сторону, которую необходимо проверить. Убедитесь, что указатель определяет значение 45° на шкале угла скоса.

► **Рис.87:** 1. Круглая ручка

Если указатель не определяет значение 45°, переведите его в положение 45°, повернув регулировочный болт на шкале угла скоса на противоположной стороне основания.

► **Рис.88:** 1. Регулировочный болт влево на 45°
2. Регулировочный болт вправо на 45°

Очистка линзы лампы

ВНИМАНИЕ: Перед очисткой линзы лампы обязательно снимите диск циркулярной пилы.

ПРИМЕЧАНИЕ: Не снимайте винт, который фиксирует линзу. Если линза не извлекается, еще немного ослабьте винт.

ПРИМЕЧАНИЕ: Для удаления пыли с линзы лампы используйте сухую ткань. Не допускайте возникновения царапин на линзе лампы, так как это приведет к снижению освещенности.

ПРИМЕЧАНИЕ: Не пользуйтесь растворителями или какими-либо очистителями на основе керосина для очистки линзы.

Если линза лампы загрязнится, трудно будет увидеть линию светодиодной лампы. Регулярно очищайте линзу. Снимите блок аккумулятора. Ослабьте винт и извлеките линзу. Осторожно очистите линзу влажной мягкой тканью.

► **Рис.89:** 1. Винт 2. Линза

После использования

После использования инструмента сотрите щепу и пыль, прилипшие к инструменту, с помощью ткани или аналогичных средств. Содержите ограждение диска в чистом виде в соответствии с инструкциями в разделе "Ограждение диска". Смазывайте скользящие части машинным маслом для предотвращения коррозии.

ДОПОЛНИТЕЛЬНЫЕ ПРИНАДЛЕЖНОСТИ

ОСТОРОЖНО: Данные принадлежности или приспособления рекомендуются для использования с инструментом Makita, указанным в настоящем руководстве. Использование любых других принадлежностей или приспособлений может привести к тяжелым травмам.

ОСТОРОЖНО: Используйте принадлежности или приспособления Makita только по назначению. Неправильное использование принадлежности или приспособления может привести к тяжелым травмам.

Если вам необходимо содействие в получении дополнительной информации по этим принадлежностям, свяжитесь с вашим сервис-центром Makita.

- Твердосплавные пильные диски
- Вертикальные тиски
- Горизонтальные тиски
- Комплект ограничителей пояса
- Пылесборный мешок
- Треугольная линейка
- Шестигранный ключ
- Беспроводной блок
- Комплект стоек
- Подоснова
- Оригинальный аккумулятор и зарядное устройство Makita

ПРИМЕЧАНИЕ: Некоторые элементы списка могут входить в комплект инструмента в качестве стандартных приспособлений. Они могут отличаться в зависимости от страны.

Makita Europe N.V. Jan-Baptist Vinkstraat 2,
3070 Kortenberg, Belgium

Makita Corporation 3-11-8, Sumiyoshi-cho,
Anjo, Aichi 446-8502 Japan

www.makita.com

885893-989
EN, SV, NO, FI, DA,
LV, LT, ET, RU
20210309