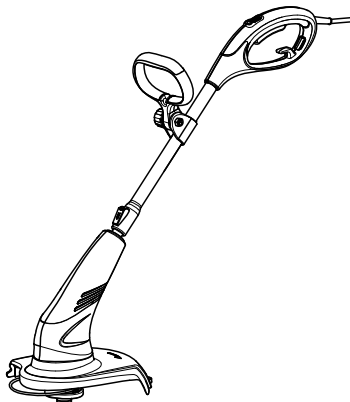
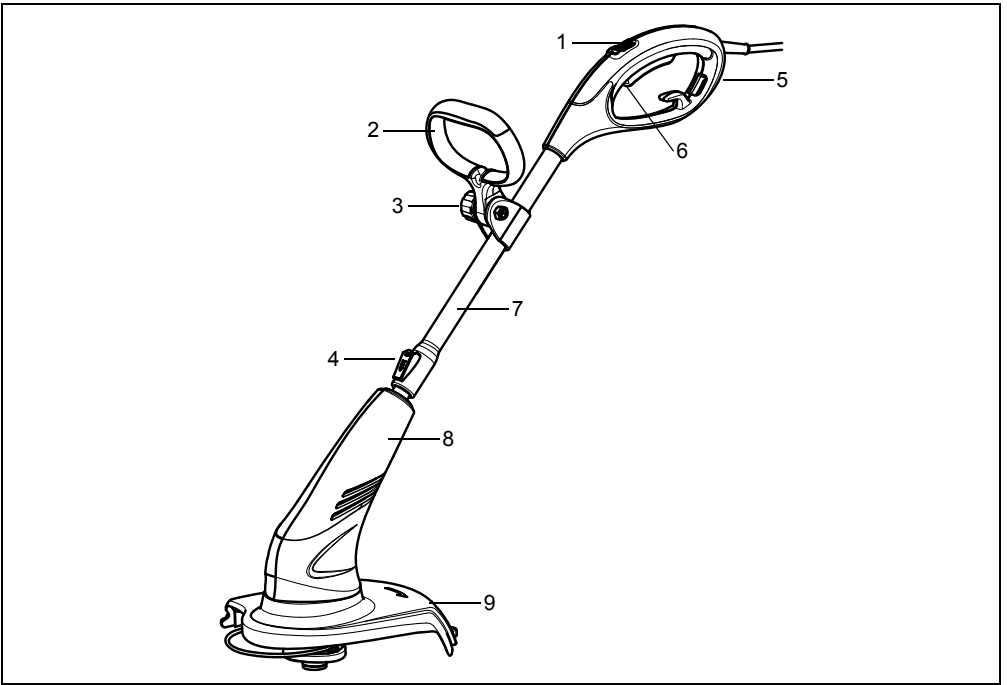




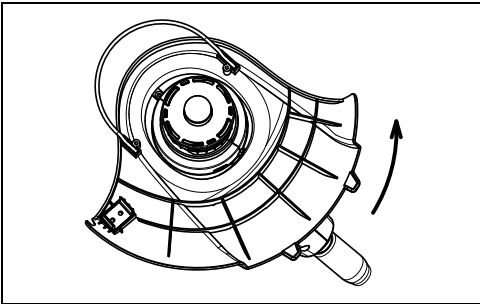
GB	String Trimmer	Original Instructions
D	Elektrotrimmer	Originalanweisungen
F	Coupe Herbe	Instructions d'origine
I	Tagliabordi	Istruzioni originali
NL	Strimmer	Originele instructies
E	Desbrozadora	Instrucciones originales
P	Aparador de Grama	Instruções de origem
GR	Χλοκοπτικό	Πρωτογενείς οδηγίες
TR	Misinalı Yan Tırpan	Orijinal Talimatlar
S	Grästrimmer	Originalanvisningar
DK	Trådtrimmer	Originalvejledning
FIN	Siimaleikkuri	Alkuperäiset ohjeet
CZ	Strunová sekačka	Originální návod
PO	Wykaszarka	Oryginalna instrukcja
HU	Szegélynyíró	Eredeti útmutató
RU	Электрокоса	Оригинальные инструкции
HR	Trimer za travu	Originalne upute
SLO	Kosilnica z nitjo	Izvirna navodila
SK	Strunová kosačka	Pôvodné pokyny
RO	Motocoasă cu fir	Instrucțiuni originale
LT	Vielinė žoliapjovė	Originali instrukcija
LV	Zāles trimers	Orīginālās instrukcijas
EE	Murutrimmer	Originaaljuhendid
CS	Trimer-kosilica	Originalno uputstvo

UR3000

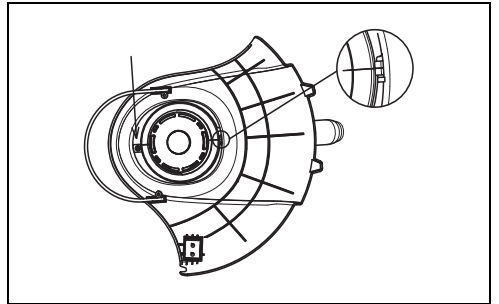




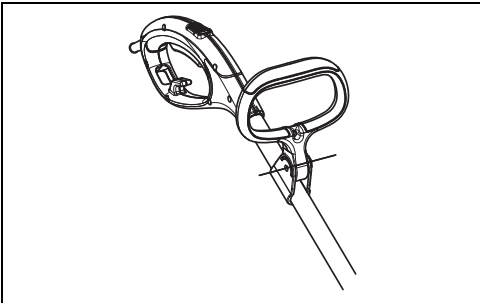
1



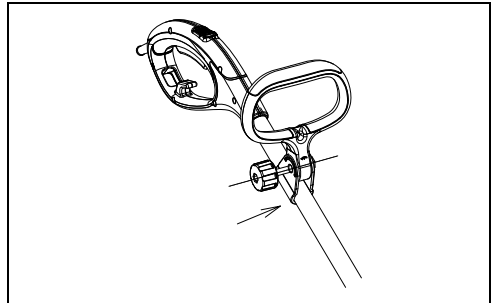
2



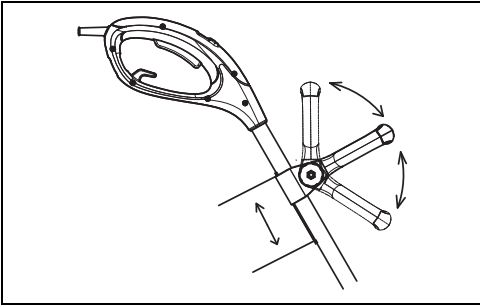
3



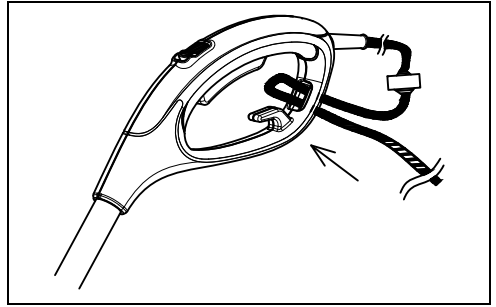
4



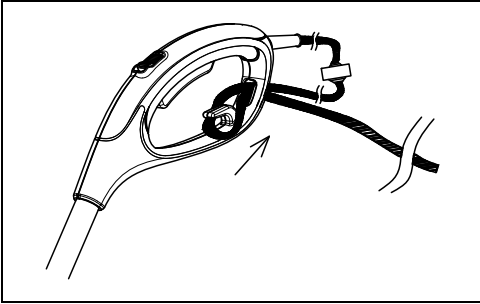
5



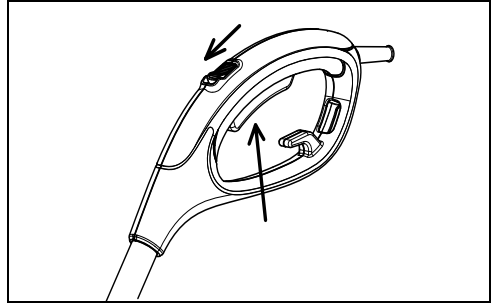
6



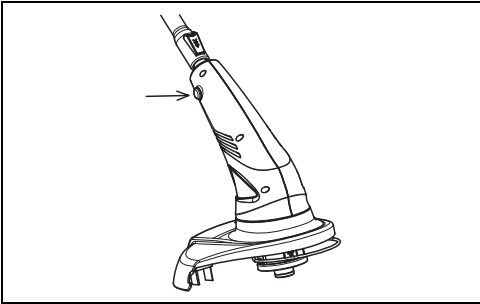
7



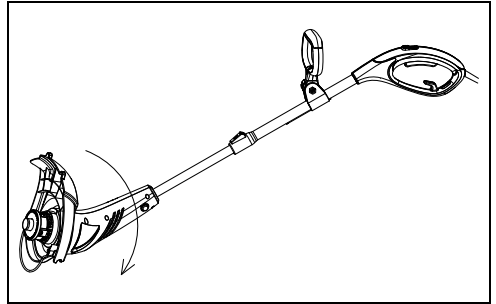
8



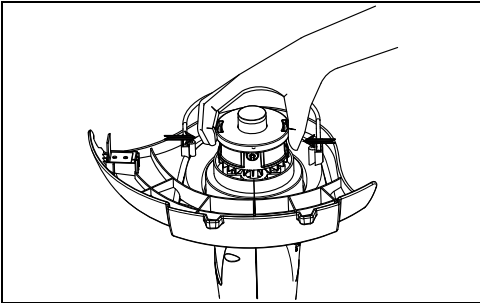
9



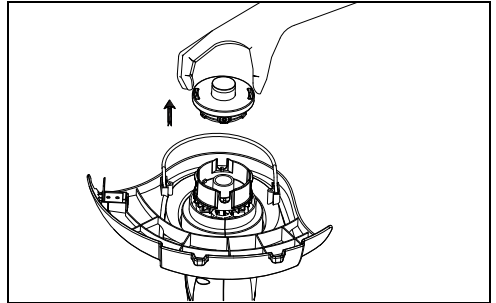
10



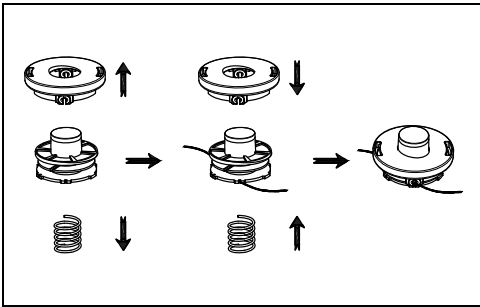
11



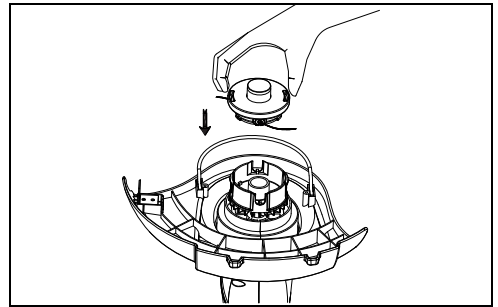
12



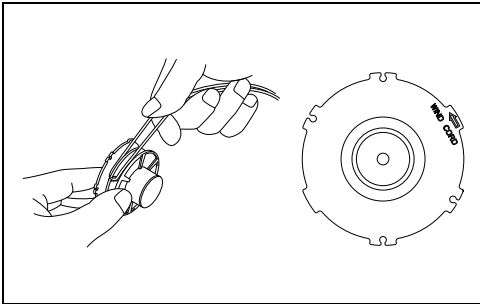
13



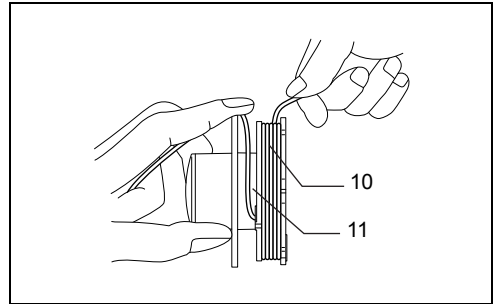
14



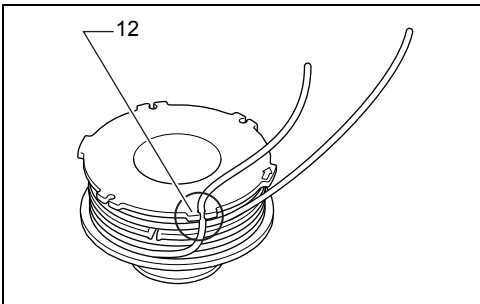
15



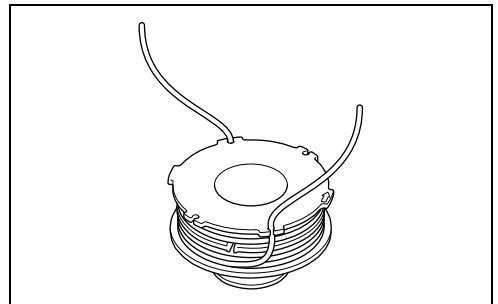
16



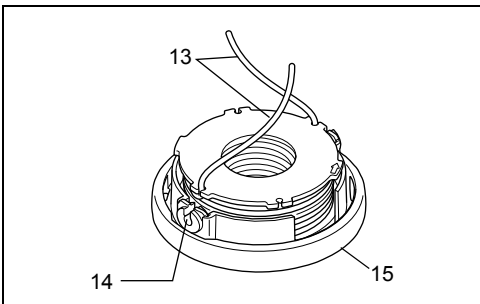
17



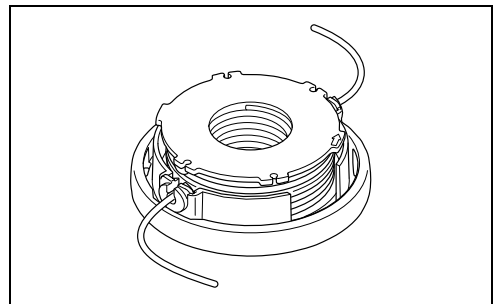
18



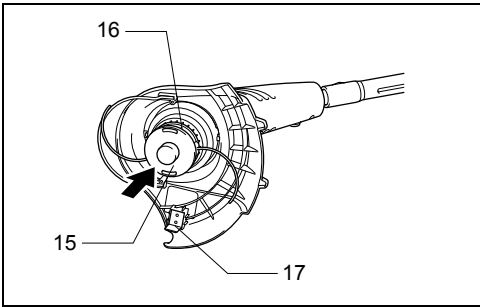
19



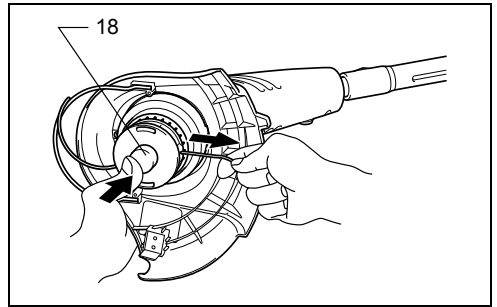
20



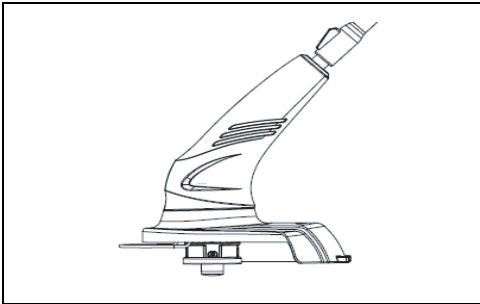
21



22



23



24

ENGLISH (Original instructions)

We wish to thank you for choosing our products. We are confident that the high quality of our machine will meet with your satisfaction and appreciation and that we will give you long-lasting service.

Before starting to use your machine, make sure to read with care this manual, which has been purposely drawn up to provide you with all the necessary information for proper use, in compliance with basic safety requirements.



SYMBOLS

Some of the following symbols maybe used on your tool, please study them and learn their meaning, proper interpretation of these symbols will allow you to operate the tool more safely and effectively.

SYMBOLS	NAME	EXPLANATION
	CE marking	The product meets demands and regulations set by the European Community (now European Union).
	Class II Construction	Double insulated construction.
	WEEE MARKING	CAUTION! Unusable power tools do not belong with domestic waste. They must be taken to a communal collecting point for environmentally friendly disposal in accordance with local regulations.
	Read the operator's instructions	To reduce the risk of injury, user must read and understand operator's manual before using this product.
	Electric Shock!	Disconnect the mains plug if the cord is damaged or entangled.
	Do not expose to rain	Don't leave your tool expose to outdoor or rain.
	Wear eye protection	To reduce the risk of your eye, wear eye protection!
	Noise level marking	Your tool noise is not more than 96 dB.
	KEEP ALL BYSTANDERS AWAY!	KEEP ALL BYSTANDERS AWAY!

1. IMPORTANT SAFETY INSTRUCTIONS

The purpose of the safety rules is to attract your attention to possible dangers. The safety symbols and the explanations with them, require your careful attention and understanding. The safety warnings do not eliminate any danger. Always use proper safety equipment, such as the guard, although you follow the safety instruction and warnings.



SAFETY ALERT SYMBOL: Indicates caution or warning may be used in conjunction with other symbols or pictures.



WARNING: Failure to follow the safety warnings can result in serious injury to you or to others. Always follow the safety precautions to reduce the risk of fire, electric shock and personal injury. Save owners manual and review frequently for continuing safe operation and instructing others who may use this tool.



WARNING: Never use your trimmer without the guard properly installed. Failure to adhere to this warning can cause serious personal injury.



WARNING: Be familiar with the controls and proper use of the equipment.



WARNING: This machine produces an electromagnetic field during operation. This field may under some circumstances interfere with active or passive medical implants. To reduce the risk of serious or fatal injury, we recommend persons with medical implants to consult their physician and the medical implant manufacturer before operating this machine.



WARNING: The operation of any tool can result in foreign objects being thrown into your eyes, which can result in loss of vision or serious eye injury. Before beginning power tool operation, always wear safety goggles or safety glasses with side shields and a full face shield when needed. We recommend Wide Vision Safety Mask for use over eyeglasses or standard safety glasses with side shield.

1. This appliance is not intended for use by persons (including children) with reduced physical, sensory or mental capabilities, or lack of experience and knowledge, unless they have been given supervision or instruction concerning use of the appliance by a person responsible for their safety.
2. Children should be supervised to ensure that they do not play with the appliance.
3. Read the instructions carefully.
4. Be familiar with the controls and proper use of the equipment.
5. Before use, check the supply and extension cord for signs of damage or ageing.
6. If the cord becomes damaged during use, disconnect the cord from the supply immediately. **DO NOT TOUCH THE CORD BEFORE DISCONNECTING THE SUPPLY.**
7. Do not use lawn trimmer (edge trimmer), if the cords are damaged or worn.
8. Warning: Cutting elements continue to rotate after the motor is switched off.
9. Keep extension cords away from cutting elements.

10. Wear protective glasses or goggles.
11. Never allow children or people unfamiliar with the instructions to use the machine.
12. Stop using the machine while people especially children, or pets are nearby.
13. Only use the machine in daylight or good artificial light.
14. Before using the machine and after any impact, check for signs of wear or damage and repair as necessary.
15. Never operate the machine with damaged guards or without the guards in place.
16. Keep hands and feet away from the cutting means at all times and especially when switching on the motor.
17. Take care against injury from any device fitted for trimming the filament line length. After extending new cutter line, always return the machine to its normal operating position before switching on.
18. Never fit metal cutting elements.
19. Never use replacement parts or accessories not provided or recommended by the manufacturer.
20. Disconnect the machine from the mains before checking, cleaning or working on the machine and when it is not in use.
21. Always ensure that ventilation openings are kept clear of debris.
22. Where symbols pictograms are used in the marking on the machine their function shall be explained.
23. Always disconnect the trimmer from the mains when leaving the trimmer unattended.
24. When not in use, store the machine out of the reach of children.
25. Mains powered trimmers should only be repaired by an authorized service center.
26. Ask an authorized service center for any repair or adjustment other than described in this manual.
27. Use only manufacturer's recommended replacement parts and accessories.



Due to Makita continuous product refinement policy, product features and specification will change without notice.

2. GENERAL IDENTIFICATION (Fig. 1)

- | | |
|-----------------------|-------------------|
| 1. Safety lock button | 6. Switch trigger |
| 2. Auxiliary handle | 7. Tube |
| 3. Lock knob | 8. Motor housing |
| 4. Adjust button | 9. Safety guard |
| 5. Main handle | |

Accessories:

- Belt
- Eye protection glass

3. SPECIFICATIONS

Model	UR3000
Rated voltage:	230 - 240 V~
Rated frequency:	50 - 60 Hz
Rated power:	450 W
No load speed:	9,000 min ⁻¹
Cutting width:	300 mm
Line size:	Φ1.65 mm
Sound pressure level at operator's position:	75.1 dB (A) K=3 dB (A)
Guaranteed sound power level:	96 dB (A)
Vibration:	2.73 m/s ² K=1.5 m/s ²
Size (L/ W/ H):	1,016 - 1,256 / 301 / 262 mm
Net weight:	2.6 kg

4. ASSEMBLY INSTRUCTION

The trimmer is supplied with some components not assembled. To assemble these, proceed as follows:

4-1 Safety guard assembly

Fix the safety guard onto the motor housing. (Fig. 2 & 3)

1. Put the safety guard onto the motor housing.
2. Rotate the safety guard to the right position.
3. Fix the safety guard on the motor housing with a screw.



WARNING: Take care against injury from the blade fitted to the guard for trimming the line to length. After extending new line, always return the trimmer to its normal operating position before switching on.



WARNING: Never fit metal cutting elements.



WARNING: Never use it without the safety guard properly installed. Failure to adhere to this warning can cause serious personal injury.

4-2 Auxiliary handle assembly

1. Attach the auxiliary handle to the support. (Fig. 4)
2. Insert the bolt to the holes of the handle support and the handle, and screw the lock knob to the bolt, but don't screw fully. (Fig. 5)
3. Put the head of the machine on the ground, then adjust the auxiliary handle to the comfortable position by another handle for you: (Fig. 6)
 - 3a. Push the adjust button, adjust the tube length for you want.
 - 3b. Rotate the auxiliary handle on a comfortable angle for you want.
4. Screw the lock knob to firm the auxiliary handle.

5. STARTING

Before start the trimmer, fix the extension cord into the hole of the main handle. (Fig. 7 & 8)

Take a secure hold the trimmer and without letting it touch the grass to be cut, depress the safety lock button and the switch trigger on the upper and grip.

To switch off the trimmer, release the switch trigger. (Fig. 9)



WARNING: Switch on motor only when your hands and feet are away from the cutting means.

6. UTILIZATION THE TRIMMER AS AN EDGER

For edging of driveways and paths, transform the trimmer from the trimmer mode to the edging mode as follows:

1. Hold the tube of the trimmer with one hand and push the rotation button by another hand. (Fig. 10)
2. Rotate the tube 180° until it locks in the edging mode. (Fig. 11)



WARNING: To prevent accidental starting which may cause serious personal injury, always disconnect the power cord before attempting to rotate the shaft.

7. REPLACEMENT OF THE CUTTING LINE CARTRIDGE

Your trimmer is supplied with a fully disposable cutting line cartridge which overcomes troublesome rewinding of the cutting line.

To replace an empty cutting line cartridge as follows:

1. Press both of the release latch on the spool holder and boost up it out of the cap (Fig. 12), remove the empty spool out. (Fig. 13)
2. Put the spring and cap out of the empty spool and into the new spool, then feed the two cutting lines of the new spool through the eyelets of the cap. (Fig. 14)
3. Put the new spool into the spool holder, and then press the cap down till lock into place by the release latch. (Fig. 15)

8. REFILL OF CUTTING LINE

To refill cutting line:

1. Disconnect the machine from the mains.
2. Remove the empty spool. (Fig. 12 & 13)
3. Cut a new cutting line to less than 8 m and bend it at the middle.
4. Hook the middle of the new cutting line to the notch located at the center of the spool between the 2 channels provided for the cutting line. The arrow on the spool shows the direction of winding the cutting line. (Fig. 16)
5. Wind the cutting line around the A section (10) in an orderly placement. Make sure to wind it tight and flat so that the surface of the wound line is not ragged. (Fig. 17)
6. Wind all but about 100 mm of the cutting line, leaving the end temporarily hooked through a line holder (12) on the side of the spool. (Fig. 18)
7. In this way, wind the cutting line in the B section (11) as well and leave the end temporarily hooked. (Fig. 17 & 19)
8. Mount the spool onto the cap so that the temporarily hooked position of the cutting line (13) matches up with the notches (14) on the side of the cap (15). (Fig. 20)
9. Unhook the ends of the cutting line from their temporary position and fit them into the notches on the side of the cap. (Fig. 21)



WARNING: Make sure that the cap is secured to the spool holder properly. Failure to properly secure the cap may cause the components to fly apart resulting in serious personal injury.

10. Make sure that the spring is in place. Push the cap (15) in the spool holder (16). Make sure the latches fully spread in the cap. (Fig. 14, 15 & 22)
11. Press on the spool button (18) and pull out one end of the cutting line. Make sure that the line has been fed out. (Fig. 22 & 23)
12. Finally, pull out the other end of the line without pressing the spool button. Make sure that the line has been fed out.

9. FEEDING CUTTING LINE

Short or worn lines cut less efficiently. To improve its operation on subsequent occasions, tap the spool button lightly on the ground while the trimmer is running at full speed. This will automatically feed extra cutting line. The cutting line blade (17) under the guard will automatically trim the cutting line to the correct length during operation. (Fig. 22 & 24)



NOTE: Hitting hard or abrasive objects, such as fences, concrete and rocks hidden by tall grass may cause the cutting line to break. If the cutting line breaks, follow the feeding procedure.

10. INSTRUCTION FOR USE

Start the trimmer before getting close to the grass to be cut.

Cut the grass by moving the trimmer from right to left and proceed slowly, keeping trimmer inclined about 30°. High grass should be cut in layers, always beginning from the top. The cuts should be short.

Do not cut damp or wet grass.

Avoid wearing the line out quickly by knocking against hard objects (stone, walls, fences, etc.). Use the edge of the guard in order to keep the trimmer at the right distance.



WARNING: Do not use excessive force or hitting the Trimmer Bump Head on the ground to feed the trimming line. If the trimming line will not be fed after tapping the bump head on the ground while the trimmer is running, the cutting line may have tangled or broken within the cartridge or the cutting line may have been used up.

NOTE: Excessive force or hitting the Trimmer Bump Head on the ground to feed the cutting line will damage the bump head.



WARNING: The cutting head continues to rotate after motor is switched off for a few seconds.

11. EXTENSION CORDS

You should only use extension cords for outdoor use, ordinary duty PVC or flexible heavy duty rubber sheathed with a cross sectional area not less than 0.75 mm². Before using, check the supply and extension cords for signs of damaged during use, disconnect the cord for signs of damage or aging. If the cord becomes damaged during use, disconnect the cord from the supply immediately. **DO NOT TOUCH THE CORD BEFORE DISCONNECTING THE SUPPLY.** Do not use the appliance if the cord is damaged or worn. Keep extension cord away from cutting elements.



WARNING: Always ensure that the ventilation openings are kept clear of debris.

12. MAINTENANCE

1. After use, disconnect the machine from the mains and check for damage.
2. When not in use, store the machine out of the reach of children.
3. Mains powered trimmers should only be repaired by an authorized service center.
4. Ask an authorized service center for any repair of adjustment other than described in this manual.
5. Use only manufacturer's recommended replacement parts and accessories.

13. ENVIRONMENTALLY FRIENDLY DISPOSAL



According to EU directive 2002/96/EC on electric and electronic equipment and its implementation into national law, all electric tools must be separately collected and environmentally friendly recycled. Alternative disposal: If the owner of the power tool does

not return the tool to the manufacturer, he is responsible for proper disposal at a designated collection point that prepares the device for recycling according to national recycling laws and regulations.

This does not include accessories and tools without electric or electronic components.

EC Declaration of Conformity

We Makita Corporation as the responsible manufacturer declare that the following Makita machine(s):

Designation of Machine: String Trimmer

Model No./ Type: UR3000

Specifications: see "SPECIFICATIONS" table.

are of series production and

Conforms to the following European Directives:

2000/14/EC, 2004/108/EC, 2006/42/EC, 2006/95/EC

And are manufactured in accordance with the following standard or standardised document:

EN55014, EN60335, EN61000, EN62233

The technical documentation is kept by our authorised representative in Europe who is:

Makita International Europe Ltd.

Michigan Drive, Tongwell,

Milton Keynes, MK15 8JD, England

The conformity assessment procedure required by Directive 2000/14/EC was in Accordance with annex VIII.

Notified Body:

TÜV SÜD Industrie Service GmbH

Westendstraße 199, D-80686 München

Identification number: 0036

Measured Sound Power Level: 92.7 dB (A)

Guaranteed Sound Power Level: 96 dB (A)

17. 12. 2010

Tomoyasu Kato

Director

Makita Corporation

3-11-8, Sumiyoshi-cho,

Anjo, Aichi, JAPAN

DEUTSCH (Originalanweisungen)

Vielen Dank, dass Sie sich für unser Produkt entschieden haben. Wir sind davon überzeugt, dass die hohe Qualität unserer Werkzeuge und Geräte Ihren Erwartungen entspricht und Sie zufrieden stellen wird, und dass Sie unseren langjährigen Kundendienst zu schätzen wissen.

Bevor Sie Ihr neu erworbenes Werkzeug bzw. Gerät benutzen, lesen Sie bitte dieses Handbuch sorgfältig durch. In diesem Handbuch finden Sie alle Informationen, die Sie für einen ordnungsgemäßen Gebrauch benötigen, und außerdem wichtige Sicherheitsbestimmungen.



SYMBOLLE

Einige der im Folgenden aufgeführten Symbole werden Sie an Ihrem Werkzeug bzw. Gerät wiederfinden. Bitte machen Sie sich mit der Bedeutung der einzelnen Symbole gründlich vertraut. Durch die richtige Deutung der Symbole können Sie Ihr neues Werkzeug bzw. Gerät sicher und effektiv nutzen.

SYMBOLLE	NAME	BEDEUTUNG
	CE-Kennzeichnung	Das Produkt entspricht den von der Europäischen Gemeinschaft (heute Europäische Union) festgelegten Anforderungen und Bestimmungen.
	Schutzklasse II	doppelt schutzisoliert
	WEEE-KENNZEICHEN	ACHTUNG! Nicht mehr brauchbare Elektrogeräte und Elektrowerkzeuge gehören nicht in den Hausmüll. Diese Werkzeuge und Geräte sind den dafür eingerichteten Sammelstellen zwecks umweltgerechter Entsorgung entsprechend den geltenden Gesetzen und Bestimmungen zuzuführen.
	Betriebsanleitung lesen	Aufgrund der bestehender Verletzungsgefahr muss sich der Bediener vor der Nutzung dieses Produkts mit der Betriebsanleitung vertraut machen.
	Elektrischer Schlag!	Ziehen Sie den Netzstecker heraus, wenn das Kabel beschädigt oder verheddert ist.
	Nicht dem Regen aussetzen	Lassen Sie den Trimmer nicht im Freien oder gar im Regen stehen.
	Tragen Sie eine Schutzbrille	Tragen Sie eine Schutzbrille, um Verletzungen Ihrer Augen zu vermeiden.
	Kennzeichnung Schallemission	Die Schallemission dieses Werkzeugs liegt unter 96 dB.
	HALTEN SIE ZUSCHAUER FERN!	HALTEN SIE ZUSCHAUER FERN!

1. WICHTIGE SICHERHEITSHINWEISE

Mit diesen Sicherheitsregeln sollen Sie auf mögliche Gefahren aufmerksam gemacht werden. Achten Sie unbedingt auf die Sicherheitssymbole und machen Sie sich mit der Bedeutung dieser Symbole vertraut. Die Sicherheitswarnungen selbst beseitigen die Gefahr noch nicht. Verwenden Sie immer die ordnungsgemäßen Schutz- und Sicherheitseinrichtungen wie beispielsweise Schutzabdeckungen und halten Sie alle Sicherheitsregeln und Sicherheitsvorschriften ein.



GEFAHRENSYMBOL: Bedeutet ACHTUNG oder WARNUNG und wird möglicherweise in Verbindung mit anderen Symbolen oder Piktogrammen verwendet.



WARNUNG: Machen Sie sich mit der Bedienung und der ordnungsgemäßen Verwendung des Werkzeugs vertraut.



WARNUNG: Ein Nichtbeachten von Sicherheitswarnungen kann bei Ihnen oder anderen Personen zu schweren Verletzungen führen. Befolgen Sie

stets die Sicherheitsmaßnahmen, um die Gefahr eines Brandes, eines elektrischen Schlages oder von Personenschäden zu vermeiden. Heben Sie diese Betriebsanleitung auf und schlagen Sie für einen fortwährenden sicheren Betrieb und zur Anleitung anderer Benutzer dieses Werkzeugs in dieser Betriebsanleitung nach.



WARNUNG: Verwenden Sie diesen Trimmer niemals ohne ordnungsgemäß angebrachte Schutzhaube. Anderenfalls kann es zu schweren Verletzungen kommen!



WARNUNG: Während des Betriebs erzeugt diese Maschine ein elektromagnetisches Feld. Unter bestimmten Umständen kann dieses Feld Auswirkungen auf aktive oder passive medizinische Implantate haben. Zur Verminderung des Risikos ernsthafter oder tödlicher Verletzungen empfehlen wir Personen mit medizinischen Implantaten, sich vor der Bedienung dieser Maschine an einen Arzt oder den Hersteller des medizinischen Implantats zu wenden.



WARNUNG: Beim Betreiben jeglicher Art von Maschinen kann es dazu kommen, dass Fremdkörper in Ihre Augen gelangen, die ernsthafte Augenverletzungen oder sogar den Verlust der Sehkraft verursachen können. Setzen Sie vor Beginn der Arbeiten mit Elektrowerkzeugen stets eine Schutzbrille mit Seitenschutz und – falls erforderlich – Gesichtsschutz auf. Wir empfehlen, über einer Brille eine Sicherheitsmaske mit breitem Sichtfeld bzw. eine Standardsicherheitsbrille mit Seitenschutz zu tragen.

1. Dieses Werkzeug/Gerät darf nicht von Personen (einschließlich Kindern) mit verminderten physischen, sensorischen oder psychischen Fähigkeiten, oder fehlenden Erfahrungen und Kenntnissen bedient werden, es sei denn, sie werden beaufsichtigt oder wurden in der Anwendung des Geräts/Werkzeugs von einem Sicherheitsverantwortlichen unterwiesen.
2. Kleinkinder sind zu beaufsichtigen, um sicherzustellen, dass sie nicht mit dem Werkzeug/ Gerät spielen.
3. Lesen Sie alle Anweisungen aufmerksam.
4. Machen Sie sich mit der Bedienung und der ordnungsgemäßen Verwendung des Werkzeugs/ Geräts vertraut.
5. Prüfen Sie vor der Verwendung Steckdose, Stecker und Kabel/Verlängerungskabel auf Anzeichen von Schäden oder Alterung.
6. Falls das Kabel während der Arbeiten beschädigt wird, trennen Sie das Kabel sofort von der Stromversorgung. **BERÜHREN SIE DAS KABEL ERST, NACHDEM ES VON DER STROMVERSORGUNG GETRENNT WURDE.**
7. Wenn die Kabel beschädigt oder verschlissen sind, verwenden Sie den Trimmer nicht.
8. Warnung: Die Schneidwerkzeuge drehen sich nach dem Ausschalten des Motors noch weiter.
9. Halten Sie Verlängerungskabel von den Schneidwerkzeugen fern.

10. Tragen Sie eine Schutzbrille.
11. Erlauben Sie Kindern und Personen, die diese Anleitungen nicht kennen, NIEMALS den Gebrauch dieses Werkzeugs/Geräts.
12. Stoppen Sie dieses Werkzeug/Gerät sofort, wenn sich Personen, vor allem Kinder, oder Haustiere nähern.
13. Verwenden Sie dieses Werkzeug/Gerät nur bei Tageslicht oder bei guter Beleuchtung.
14. Prüfen Sie das Werkzeug/Gerät vor jeder Nutzung und nach jedem Zwischenfall auf Anzeichen von Verschleiß oder Schäden und sorgen Sie ggf. für eine Reparatur.
15. Betreiben Sie das Werkzeug/Gerät niemals mit beschädigter oder fehlender Schutzhaube.
16. Halten Sie Hände und Füße zu jeder Zeit von Schneidwerkzeugen fern, dies gilt insbesondere beim Starten des Motors.
17. Beachten Sie die Verletzungsgefahr, die von allen Mitteln zum Nachstellen der Länge der Endlosschnur ausgeht. Bringen Sie das Werkzeug nach dem Ausziehen der Schneidschnur wieder in die normale Arbeitsposition, bevor Sie den Motor einschalten.
18. Montieren Sie niemals Schneidmittel aus Metall.
19. Verwenden Sie ausschließlich Ersatzteile vom Hersteller oder vom Hersteller empfohlene Ersatzteile.
20. Trennen Sie das Werkzeug vom Stromnetz, bevor Sie das Werkzeug prüfen oder reinigen oder bevor Sie Arbeiten am Werkzeug ausführen, und wenn das Werkzeug nicht in Gebrauch ist.
21. Achten Sie stets darauf, dass Belüftungsöffnungen frei von Fremdkörpern sind.
22. Wenn Stellen am Werkzeug mit Symbolen oder Piktogrammen markiert sind, muss die Bedeutung dieser Symbole und Piktogramme klar sein.
23. Trennen Sie den Trimmer stets von der Stromversorgung, wenn Sie den Trimmer unbeaufsichtigt lassen.
24. Bewahren Sie das Werkzeug/Gerät außerhalb der Reichweite von Kindern auf, wenn das Werkzeug/ Gerät nicht in Gebrauch ist.
25. Mit Netzspannung betriebene Trimmer sollten ausschließlich in autorisierten Servicecentern repariert werden.
26. Wenn Reparaturen oder sonstige Arbeiten am Trimmer notwendig sind, die nicht in diesem Handbuch erläutert werden, wenden Sie sich an ein autorisiertes Servicecenter.
27. Verwenden Sie ausschließlich vom Hersteller empfohlene Ersatz- und Zubehörteile.



Aufgrund der beständigen Forschungen und Weiterentwicklungen bei Makita sind Änderungen an den hier angegebenen Produkteigenschaften und Technischen Daten ohne Vorankündigung vorbehalten.

2. BENENNUNG DER TEILE (Abb. 1)

- | | | |
|------------------------------|---------------------|----------------|
| 1. Sicherheits-Arretiertaste | 6. Ein/Aus-Schalter | Zubehör: |
| 2. Zusatzgriff | 7. Rohr | • Tragegurt |
| 3. Feststellknopf | 8. Motorgehäuse | • Schutzbrille |
| 4. Einstelltaste | 9. Schutzhaube | |
| 5. Hauptgriff | | |

3. TECHNISCHE DATEN

Modell	UR3000
Nennspannung:	230 - 240 V~
Nennfrequenz:	50 - 60 Hz
Nennleistung:	450 W
Drehzahl ohne Last:	9.000 min ⁻¹
Schnittbreite:	300 mm
Schnurdurchmesser:	Φ1,65 mm
Schalldruckpegel an Bedienerposition:	75,1 dB (A) K=3 dB (A)
Garantierter Schalleistungspegel:	96 dB (A)
Schwingung:	2,73 m/s ² K=1,5 m/s ²
Abmessungen (L x B x H):	1.016 - 1.256 / 301 / 262 mm
Nettogewicht:	2,6 kg

4. MONTAGEANLEITUNG

Bei Lieferung ist der Trimmer noch nicht vollständig zusammengebaut. Gehen Sie wie folgt vor, um diese Teile zu montieren:

4-1 Anbringen der Schutzhaube

Befestigen Sie die Schutzhaube am Motorgehäuse. (Abb. 2 und 3)

1. Setzen Sie die Schutzhaube auf das Motorgehäuse auf.
2. Drehen Sie die Schutzhaube in die ordnungsgemäße Stellung.
3. Befestigen Sie die Schutzhaube mit Hilfe einer Schraube am Motorgehäuse.



WARNUNG: Achten Sie darauf, dass Sie sich nicht an der an der Haube angebrachten Klinge zum Abschneiden der Schnur verletzen. Bringen Sie den Trimmer Werkzeug nach dem Ausziehen der Schnur wieder in die normale Arbeitsposition, bevor Sie den Motor einschalten.



WARNUNG: Montieren Sie niemals Schneidmittel aus Metall.



WARNUNG: Verwenden Sie diesen Trimmer niemals ohne ordnungsgemäß angebrachte Schutzhaube. Anderenfalls kann es zu schweren Verletzungen kommen!

4-2 Anbringen des Zusatzgriffs

1. Befestigen Sie den Zusatzgriff an der Halterung. (Abb. 4)

2. Stecken Sie die Schraube durch die Bohrungen der Griffhalterung und des Griffs und schrauben Sie den Feststellknopf auf die Schraube. Ziehen Sie den Knopf jedoch noch nicht fest. (Abb. 5)
3. Setzen Sie den Schneidkopf des Trimmers auf den Boden auf, stellen Sie jetzt den Zusatzgriff in eine für Sie bequeme Position ein: (Abb. 6)
 - 3a. Drücken Sie auf die Einstelltaste und stellen Sie die Länge des Rohres nach Belieben ein.
 - 3b. Drehen Sie den Zusatzgriff in die für Sie bequemste Position.
4. Ziehen Sie den Feststellknopf der Zusatzgriffs fest.

5. EINSCHALTEN

Stecken Sie das Netzkabel durch das Loch im Hauptgriff, bevor Sie den Trimmer einschalten. (Abb. 7 und 8) Erfassen Sie den Trimmer mit sicherem Griff und drücken Sie, ohne dass der Trimmer das Gras bereits berührt, die Sicherheits-Arretiertaste und den Ein/Aus-Schalter am oberen Teil des Griffs. Um den Trimmer auszuschalten, lassen Sie den Ein/Aus-Schalter los. (Abb. 9)



WARNUNG: Schalten Sie den Motor nur ein, wenn Ihre Hände und Füße nicht in der Nähe des Schneidwerkzeugs sind.

6. VERWENDEN DES TRIMMERS ALS KANTENSTECHER

Wenn Sie Kanten von Auffahrten oder Gehwegen bereinigen möchten, wandeln Sie den Trimmer wie folgt in einen Kantenstecher um:

1. Halten Sie mit einer Hand das Rohr des Trimmers und drücken Sie mit der anderen Hand die durch den Pfeil markierte Taste. (Abb. 10)

2. Drehen Sie das Rohr um 180°, bis es in der Kantenstecherposition einrastet. (Abb. 11)



WARNUNG: Ziehen Sie vor dem Drehen des Schaffrohres unbedingt das Stromversorgungskabel aus der Steckdose. Anderenfalls kann der Trimmer versehentlich starten, wodurch es zu schweren Verletzungen kommen kann.

7. AUSTAUSCHEN DER SCHNEIDSCHNURKAPSEL

Dieser Trimmer ist mit einer vollständig austauschbaren Schneidschnurkapsel ausgestattet, wodurch das lästige Aufwickeln von Schneidschnur entfällt.

So tauschen Sie eine leere Schneidschnurkapsel aus.

1. Drücken Sie auf beide Haltetaschen des Spulenhalters und ziehen Sie den Spulenhalter aus der Kappe (Abb. 12), entnehmen Sie die leere Spule. (Abb. 13)
2. Nehmen Sie Feder und Kappe aus der leeren Spule und stecken Sie diese in die neue Spule, fädeln Sie dann die Schneidschnüre der neuen Spule durch die Schlitzlöcher der Kappe. (Abb. 14)
3. Setzen Sie die neue Spule in den Spulenhalter ein und drücken Sie anschließend die Kappe nach unten, bis die Haltetaschen einrasten. (Abb. 15)

8. AUFFÜLLEN VON SCHNEIDSCHNUR

So füllen Sie Schneidschnur nach.

1. Trennen Sie den Trimmer vom Stromnetz.
2. Entnehmen Sie die leere Spule. (Abb. 12 und 13)
3. Schneiden Sie neue Schneidschnur auf unter 8 m und biegen Sie die Schnur in er Mitte.
4. Haken Sie die Mitte der neuen Schneidschnur in die Einkerbung in der Mitte der Spule zwischen den 2 Kanälen für die Schneidschnur ein. Der Pfeil auf der Spule weist in die Aufwickelrichtung der Schneidschnur. (Abb. 16)
5. Wickeln Sie die Schneidschnur ordnungsgemäß auf das Teilstück A (10). Achten Sie darauf, dass die Schnur fest und flach aufgewickelt wird, damit die Oberfläche der aufgewickelten Schnur nicht beschädigt wird. (Abb. 17)
6. Wickeln Sie etwa 100 mm der Schnur nicht auf und lassen Sie das Ende vorübergehend in dem Schnurhalter (12) an der Seite der Spule eingehängt. (Abb. 18)
7. Wickeln Sie jetzt genau so die Schneidschnur auf das Teilstück B (11) und hängen Sie das Ende vorübergehend ein. (Abb. 17 und 19)
8. Montieren Sie die Spule so auf die Kappe, dass sich die behelfsmäßig eingehängten Enden der Schneidschnur (13) an den Einkerbungen (14) an der Seite der Kappe (15) befinden. (Abb. 20)
9. Lösen Sie die Enden der Schneidschnur aus ihren behelfsmäßigen Positionen und fädeln Sie die Enden in die Einkerbungen an der Seite der Kappe. (Abb. 21)



WARNUNG: Stellen Sie sicher, dass die Kappe ordnungsgemäß auf dem Spulenhalter gesichert ist. Bei unsachgemäß gesicherter Kappe kann die Baugruppe auseinanderfliegen, wodurch es zu schweren Verletzungen kommen kann.

10. Achten Sie darauf, dass sich die Feder in der richtige Position befindet. Drücken Sie die Kappe (15) in den Spulenhalter (16). Vergewissern Sie sich, dass die Haltetaschen richtig in der Kappe sitzen. (Abb. 14, 15 und 22)
11. Drücken Sie auf den Spulenboden (18) und ziehen Sie ein Ende der Schneidschnur heraus. Achten Sie darauf, dass die Schnur aus der Kappe nachabgewickelt wurde. (Abb. 22 und 23)
12. Zielen Sie nun das andere Ende der Schnur heraus, ohne dabei auf den Spulenboden zu drücken. Achten Sie darauf, dass die Schnur aus der Kappe nachabgewickelt wurde.

9. NACHSTELLEN VON SCHNEIDSCHNUR

Zu kurze oder verschlissene Schneidschnüre mähen weniger wirkungsvoll. Um die Mähwirkung zu erhöhen, stoßen Sie bei voller Drehzahl des Trimmers den Spulenkörper gelegentlich auf den Boden. Dadurch wickelt sich automatisch weitere Schneidschnur von der Spule ab. Die Schneidschnurklinge (17) unter der Schutzhaube schneidet die Schneidschnur bei Betrieb automatisch auf die richtige Länge. (Abb. 22 und 24)



HINWEIS: Bei Auftreffen auf harte oder scharfe Objekte wie Zäune, Beton oder unter Gras verborgene Steine kann die Schneidschnur abreißen. Bei einer abgerissenen Schneidschnur führen Sie das Nachstellverfahren aus.

10. GEBRAUCHSANWEISUNG

Schalten Sie den Trimmer ein, wenn Sie sich an der zu mähenden Stelle befinden.

Mähen Sie das Gras, indem Sie den Trimmer von rechts nach links bewegen. Gehen Sie langsam vor und halten Sie den Trimmer um ca. 30° geneigt. Mähen Sie hohes Gras schrittweise und von oben beginnend. Schneiden Sie immer nur kurze Stücke.

Mähen Sie kein feuchtes oder nasses Gras.

Vermeiden Sie einen schnellen Verschleiß der Schnur durch Berühren von harten Objekten (Steine, Wände, Zäune usw.). Halten Sie den Trimmer anhand der Kante der Schutzabdeckung auf dem richtigen Abstand.



WARNUNG: Stoßen Sie den Schneidkopf des Trimmers nicht zu hart auf, wenn Sie Schneidschnur nachstellen möchten. Wenn bei laufenden Trimmer nach dem Aufstoßen des Schneidkopfs keine Schneidschnur nachgestellt wird, ist die Schneidschnur möglicherweise in der Kapsel verknäult oder gerissen, oder die Schneidschnur ist aufgebraucht.

HINWEIS: Bei zu hartem Aufstoßen des Schneidkopfs des Trimmers, um Schneidschnur nachzustellen, kann der Schneidkopf beschädigt werden.



WARNUNG: Nach dem Ausschalten des Motors läuft der Schneidkopf noch einige Sekunden nach.

11. VERLÄNGERUNGSKABEL

Verwenden Sie ausschließlich Verlängerungskabel, die für die Verwendung im Freien zugelassen sind, PVC-Kabel für Normalbelastung oder flexible, schwere Gummischlauchleitungen mit einem Leiterquerschnitt von mindestens 0,75 mm².

Überprüfen Sie die Netz- und Verlängerungskabel vor der Verwendung auf Anzeichen einer Beschädigung und trennen Sie das Kabel bei Anzeichen einer Beschädigung oder von Verschleiß ab. Falls das Kabel während der Arbeiten beschädigt wird, trennen Sie das Kabel sofort von der Stromversorgung. **BERÜHREN SIE DAS KABEL ERST, NACHDEM ES VON DER STROMVERSORGUNG GETRENNT WURDE.**

Verwenden Sie den Trimmer nicht, wenn das Kabel beschädigt oder verschlissen ist. Halten Sie Verlängerungskabel von Schneidwerkzeugen fern.



WARNUNG: Achten Sie stets darauf, dass die Belüftungsöffnungen frei von Fremdkörpern sind.

12. WARTUNG

1. Trennen Sie das Werkzeug/Gerät nach Benutzung vom Stromnetz und überprüfen Sie das Werkzeug/Gerät auf Schäden.
2. Bewahren Sie das Werkzeug/Gerät außerhalb der Reichweite von Kindern auf, wenn das Werkzeug/Gerät nicht in Gebrauch ist.
3. Mit Netzspannung betriebene Trimmer sollten ausschließlich in autorisierten Servicecentern repariert werden.
4. Wenn Reparaturen oder sonstige Arbeiten am Trimmer notwendig sind, die nicht in diesem Handbuch erläutert werden, wenden Sie sich an ein autorisiertes Servicecenter.
5. Verwenden Sie ausschließlich vom Hersteller empfohlene Ersatz- und Zubehörteile.

13. UMWELTGERECHTE ENTSORGUNG



Gemäß der Europäischen Richtlinie 2002/96/EG zu Elektro- und Elektronik-Altgeräten sowie der Umsetzung in nationales Recht müssen alle Elektrowerkzeuge getrennt gesammelt und einer umweltgerechten Wiederverwertung zugeführt werden.

Alternative Entsorgung: Falls der Eigentümer eines Elektrogeräts das Gerät nicht an den Hersteller zurücksendet, ist der Eigentümer für eine ordnungsgemäße Entsorgung am zuständigen Wertstoffhof verantwortlich, von dem das Gerät gemäß den nationalen Recycling-Bestimmungen entsorgt wird.

Davon ausgenommen sind Zubehörteile und Werkzeuge ohne elektrische oder elektronische Komponenten.

EG-Konformitätserklärung

Wir, Makita Corporation als verantwortlicher Hersteller, erklären, dass das/die folgende/n Gerät/ Geräte der Marke Makita:

Bezeichnung des Geräts: Elektrotrimmer

Nummer / Typ des Modells: UR3000

Technische Daten: siehe Tabelle „TECHNISCHE DATEN“ in Serienfertigung hergestellt wird/werden und **den folgenden Richtlinien der Europäischen Union genügt/genügen:**

2000/14/EG, 2004/108/EG, 2006/42/EG, 2006/95/EG

Außerdem werden die Geräte gemäß den folgenden Standards oder Normen gefertigt:

EN55014, EN60335, EN61000, EN62233

Die technische Dokumentation erfolgt durch unseren Bevollmächtigten in Europa:

Makita International Europe Ltd.

Michigan Drive, Tongwell,

Milton Keynes, MK15 8JD, England

Das Verfahren der Konformitätsbewertung, das in der Richtlinie 2000/14/EG verlangt wird, wurde in Übereinstimmung mit Anhang VIII durchgeführt.

Benannte Stelle:

TÜV SÜD Industrie Service GmbH

Westendstraße 199, D-80686 München

Kennummer der benannten Stelle: 0036

Gemessener Schalleistungspegel: 92,7 dB (A)

Garantierter Schalleistungspegel: 96 dB (A)

17. 12. 2010

Tomoyasu Kato

Direktor

Makita Corporation

3-11-8, Sumiyoshi-cho,

Anjo, Aichi, JAPAN

FRANÇAIS (Instructions d'origine)

Nous vous remercions d'avoir choisi nos produits. Nous sommes convaincus que la qualité de notre appareil vous donnera entière satisfaction et que vous pourrez utiliser celui-ci pendant de longues années.

Avant de commencer à utiliser votre appareil, veuillez lire attentivement le présent manuel, qui a été réalisé afin de vous fournir l'ensemble des informations nécessaires pour une utilisation correcte de l'appareil, conformément aux exigences de base en matière de sécurité.



SYMBOLES

Parmi les symboles suivants, certains peuvent figurer sur votre outil, examinez-les et apprenez leur signification, l'interprétation correcte de ces symboles vous permettra de faire fonctionner l'outil de manière plus sûre et efficace.

SYMBOLES	NOM	EXPLICATION
	Symbole CE	Ce produit répond aux exigences et réglementations définies par la Communauté européenne (aujourd'hui l'Union européenne).
	Fabrication de classe II	Fabrication selon une double isolation
	MARQUAGE DEEE	ATTENTION ! Les outils électriques en fin de vie ne peuvent pas être jetés avec les ordures ménagères. Ils doivent être déposés dans un point de collecte communal afin d'être détruits de manière écologique, conformément aux réglementations locales.
	Lisez les instructions destinées à l'opérateur	Pour réduire les risques de blessure, vous devez lire et comprendre le manuel de l'opérateur avant d'utiliser ce produit.
	Choc électrique !	Débranchez la fiche du secteur si le cordon est endommagé ou emmêlé.
	Gardez à l'abri de la pluie	Ne laissez pas votre outil en extérieur et ne l'exposez pas à la pluie.
	Portez des protections pour les yeux	Pour limiter les risques oculaires, portez une protection pour les yeux !
	Marquage du niveau de bruit	Le niveau sonore de votre outil ne dépasse pas 96 dB.
	ÉLOIGNEZ LES SPECTATEURS !	ÉLOIGNEZ TOUS LES SPECTATEURS !

1. CONSIGNES DE SÉCURITÉ IMPORTANTES

Les règles de sécurité visent à attirer votre attention sur les dangers possibles. Les symboles de sécurité et les explications s'y rattachant méritent votre attention et votre compréhension. Les mises en garde de sécurité n'éliminent aucun danger. Utilisez toujours du matériel de sécurité adéquat, notamment le carter, même si vous respectez les instructions et avertissements de sécurité.



SYMBOLE D'ALERTE DE SÉCURITÉ :
Indique qu'une précaution ou une mise en garde peut être utilisée avec d'autres symboles ou images.



AVERTISSEMENT : familiarisez-vous avec les commandes et l'utilisation correcte du matériel.



AVERTISSEMENT : tout manquement au respect des mises en garde de sécurité peut entraîner des blessures graves à vous-même ou à d'autres personnes. Prenez toujours les précautions de sécurité afin de réduire les risques d'incendie, de choc électrique et de blessure. Gardez ce manuel d'utilisation et révisiez-le fréquemment pour une utilisation continue en toute sécurité et pour former d'autres personnes à utiliser cet outil.



AVERTISSEMENT : n'utilisez jamais votre coupe herbe sans avoir installé correctement le carter. Le manquement au respect de cette mise en garde peut entraîner des blessures corporelles graves.



AVERTISSEMENT : cet appareil produit un champ électromagnétique pendant son fonctionnement. Dans certains cas, ce champ peut perturber les implants médicaux actifs ou non. Pour réduire les risques de blessures graves ou mortelles, il est recommandé aux personnes porteuses d'implants médicaux de consulter leur médecin ainsi que le fabricant de l'implant médical avant d'utiliser cette machine.



AVERTISSEMENT : l'utilisation de n'importe quel outil peut entraîner la projection de corps étrangers dans vos yeux, ce qui peut entraîner la cécité ou de graves blessures oculaires. Avant d'utiliser l'outil électrique, portez toujours un masque de protection ou des lunettes de sécurité avec des écrans latéraux, ainsi qu'une visière de protection intégrale si nécessaire. Nous conseillons le port d'un masque de sécurité panoramique par-dessus des lunettes ou des lunettes de sécurité standard avec des écrans latéraux.

1. Cet appareil ne doit pas être utilisé par des personnes (notamment des enfants) dont les capacités physiques, sensorielles ou mentales sont réduites ou n'ayant aucune expérience ni compétence, à moins d'avoir reçu des instructions relatives à l'utilisation de l'appareil par une personne responsable de leur sécurité ou d'être sous la supervision de celle-ci.
2. Les enfants doivent être surveillés car ils ne doivent pas jouer avec l'appareil.
3. Lisez les instructions attentivement.
4. Familiarisez-vous avec les commandes et l'utilisation correcte du matériel.
5. Avant utilisation, vérifiez que le câble d'alimentation et la rallonge ne sont pas endommagés ou usés.
6. Si le câble est endommagé au cours de l'utilisation, débranchez-le de la prise immédiatement. **NE TOUCHEZ PAS LE CÂBLE AVANT DE DÉBRANCHER LA PRISE.**
7. N'utilisez pas de coupe herbe (coupe-bordures) si les cordons sont endommagés ou usés.
8. Avertissement : les éléments coupants continuent à tourner après l'arrêt du moteur.

9. Maintenez les rallonges éloignées des éléments coupants.
10. Portez des lunettes ou un masque de protection.
11. Ne laissez pas des enfants ou des personnes ne connaissant pas ces instructions utiliser l'outil.
12. Cessez d'utiliser l'appareil lorsque des personnes, en particulier des enfants, ou des animaux se trouvent à proximité.
13. Utilisez l'appareil uniquement en journée ou sous une lumière artificielle correcte.
14. Avant d'utiliser l'appareil et après tout impact, recherchez d'éventuels signes d'usure ou de dommage et réparez-les au besoin.
15. N'utilisez jamais l'appareil si les protège-lames sont endommagés ou s'ils ne sont pas en place !
16. Maintenez constamment vos mains et vos pieds éloignés de la coupe, en particulier lors de la mise sous tension du moteur.
17. Veillez à ne pas vous blesser sur les dispositifs installés pour couper la longueur du fil. Après avoir sorti un nouveau fil de coupe, remplacez toujours l'appareil en position de fonctionnement normal avant de le mettre sous tension.
18. N'installez jamais d'éléments de coupe en métal.
19. N'utilisez jamais d'accessoires ou de pièces de rechange non fournis ou recommandés par le fabricant.
20. Débranchez l'appareil du secteur avant de procéder à sa vérification, à son nettoyage ou à tous autres travaux lorsqu'il n'est pas utilisé.
21. Assurez-vous toujours que les ouvertures de ventilation ne sont pas obstruées par des débris.
22. Lorsque des pictogrammes ou symboles sont utilisés sur l'appareil, leur fonction doit être expliquée.
23. Débranchez toujours le coupe-herbe du secteur lorsque vous le laissez sans surveillance.
24. Lorsque vous n'utilisez pas l'appareil, rangez-le hors de portée des enfants.
25. Les coupe-herbes électriques à brancher sur secteur ne doivent être réparés que par un centre de service agréé.
26. Demandez à un centre de service agréé d'effectuer les réparations ou réglages autres que ceux décrits dans le présent manuel.
27. N'utilisez que les pièces et accessoires de rechange recommandés par le fabricant.



En raison de la politique d'amélioration continue des produits Makita, les fonctions et spécifications peuvent changer sans préavis.

2. IDENTIFICATION GÉNÉRALE (Fig. 1)

- | | |
|---------------------------------------|-----------------------|
| 1. Bouton de verrouillage de sécurité | 5. Poignée principale |
| 2. Poignée auxiliaire | 6. Gâchette |
| 3. Bouton de verrouillage | 7. Tube |
| 4. Bouton de réglage | 8. Boîtier du moteur |
| | 9. Carter de sécurité |

Accessoire :

- Sangle
- Lunettes de protection

3. SPÉCIFICATIONS

Modèle	UR3000
Tension nominale :	230 - 240 V ~
Fréquence nominale :	50 - 60 Hz
Puissance nominale :	450 W
Vitesse à vide :	9 000 min ⁻¹
Largeur de coupe :	300 mm
Taille du fil :	Φ1,65 mm
Niveau de la pression sonore au poste de l'opérateur :	75,1 dB (A) K=3 dB (A)
Niveau de puissance sonore garantie :	96 dB (A)
Vibrations :	2,73 m/s ² K=1,5 m/s ²
Dimensions (L/I/H) :	1 016 - 1 256 / 301 / 262 mm
Poids net :	2,6 kg

4. INSTRUCTIONS DE MONTAGE

Ce coupe herbe est fourni non entièrement monté. Pour assembler les éléments qui ne le sont pas encore, procédez comme suit :

4-1 Montage du carter de sécurité

Fixez le carter de sécurité sur le boîtier du moteur. (Fig. 2 et 3)

1. Placez le carter de sécurité sur le boîtier du moteur.
2. Faites pivoter le carter de sécurité dans la bonne position.
3. Fixez le carter de sécurité sur le boîtier du moteur à l'aide d'une vis.



AVERTISSEMENT : veillez à ce que la lame installée sur le carter afin de couper le fil dans sa longueur ne vous blesse pas. Après avoir sorti un nouveau fil, remplacez toujours le coupe herbe en position de fonctionnement normal avant de le mettre sous tension.



AVERTISSEMENT : n'installez jamais d'éléments de coupe en métal.



AVERTISSEMENT : n'utilisez jamais votre coupe herbe sans avoir installé correctement le carter de sécurité. Le manquement au respect de cette mise en garde peut entraîner des blessures corporelles graves.

4-2 Montage de la poignée auxiliaire

1. Fixez la poignée auxiliaire au support. (Fig. 4)
2. Insérez le boulon dans les orifices du support de la poignée ainsi que la poignée, et vissez le bouton de verrouillage au boulon sans le serrer à fond. (Fig. 5)
3. Placez la tête de l'appareil au sol, puis réglez la poignée auxiliaire selon une position confortable pour vous-même : (Fig. 6)
 - 3a. Appuyez sur le bouton de réglage, puis réglez la longueur du tube comme vous le souhaitez.
 - 3b. Faites pivoter la poignée auxiliaire selon un angle confortable pour vous-même.
4. Vissez le bouton de verrouillage de manière à bloquer la poignée auxiliaire.

5. DÉMARRAGE

Avant de démarrer le coupe herbe, fixez la rallonge dans l'orifice de la poignée principale. (Fig. 7 et 8)

Tenez fermement le coupe herbe et, sans le laisser toucher l'herbe à couper, enfoncez le bouton de verrouillage de sécurité ainsi que la gâchette sur la poignée supérieure.

Pour éteindre le coupe herbe, relâchez la gâchette. (Fig. 9)



AVERTISSEMENT : ne mettez le moteur sous tension que lorsque vos mains et vos pieds sont éloignés de la partie coupante.

6. UTILISATION DU COUPE HERBE COMME COUPE-BORDURES

Pour couper les bordures des allées et chemins, basculez l'appareil du mode coupe herbe au mode coupe-bordures en procédant comme suit :

1. Tenez le tube du coupe herbe dans une main et appuyez sur le bouton pivotant avec l'autre main. (Fig. 10)
2. Faites pivoter le tube à 180° jusqu'à ce qu'il se verrouille en mode coupe-bordures. (Fig. 11)



AVERTISSEMENT : pour éviter tout démarrage accidentel susceptible de provoquer de graves blessures corporelles, débranchez toujours le cordon d'alimentation avant d'essayer de tourner l'arbre.

7. REMPLACEMENT DE LA CARTOUCHE DE FIL COUPANT

Votre coupe herbe est fourni avec une cartouche de fil coupant entièrement dégradable, qui évite tout rembobinage ennuyeux du fil coupant.

Pour remplacer une cartouche vide de fil coupant, procédez comme suit :

1. Appuyez sur les deux loquets de déblocage situés sur le support de la bobine et sortez-le du couvercle (Fig. 12), puis retirez la bobine vide. (Fig. 13)
2. Sortez le ressort et le couvercle de la bobine vide et placez-les dans la bobine neuve, puis insérez les deux fils coupants de la bobine neuve à travers les œillets du couvercle. (Fig. 14)
3. Placez la bobine neuve dans le support de la bobine, puis enfoncez le couvercle jusqu'à ce qu'il se verrouille en place à l'aide du loquet de déblocage. (Fig. 15)

8. RECHARGEMENT DU FIL COUPANT

Pour recharger du fil coupant, procédez comme suit :

1. Débranchez l'appareil du secteur.
2. Retirez la bobine vide. (Fig. 12 et 13)
3. Coupez un nouveau fil coupant selon une longueur inférieure à 8 m et pliez-le au centre.
4. Accrochez le milieu du nouveau fil coupant dans l'entaille située au centre de la bobine entre les 2 canaux destinés au fil coupant. La flèche située sur la bobine présente le sens d'enroulage du fil coupant. (Fig. 16)
5. Enroulez le fil coupant autour de la partie A (10) dans le bon sens. Veillez à l'enrouler de manière serrée et à plat afin que la surface du fil ne se déchire pas. (Fig. 17)
6. Embobinez tout le fil coupant sauf environ 100 mm, en laissant les extrémités temporairement accrochées à travers le support du fil (12) sur le côté de la bobine. (Fig. 18)
7. De cette manière, enroulez également le fil coupant de la partie B (11) et laissez l'extrémité accrochée temporairement. (Fig. 17 et 19)
8. Installez la bobine sur le couvercle, de sorte que la position du fil coupant, qui est temporairement accroché (13), corresponde aux rainures (14) situées sur le côté du couvercle (15). (Fig. 20)
9. Décrochez les extrémités du fil coupant de leur position temporaire et fixez-les dans les rainures sur le côté du couvercle. (Fig. 21)



AVERTISSEMENT : assurez-vous que le couvercle est solidement fixé au support de la bobine. Si le couvercle n'est pas correctement fixé, les composants risquent de se détacher et provoquer des blessures graves.

10. Assurez-vous que le ressort est en place. Enfoncez le couvercle (15) dans le support de la bobine (16). Assurez-vous que les attaches se déploient bien sur le couvercle. (Fig. 14, 15 et 22)
11. Appuyez sur le bouton de la bobine (18) et sortez une extrémité du fil coupant. Vérifiez que le fil est bien sorti. (Fig. 22 et 23)
12. Enfin, faites sortir l'autre extrémité du fil sans appuyer sur le bouton de la bobine. Vérifiez que le fil est bien sorti.

9. REMPLISSAGE DU FIL COUPANT

Les fils courts ou usés coupent moins bien. Pour améliorer les performances de coupe ultérieures, tapez doucement sur le bouton de la bobine au sol tandis que le coupe herbe fonctionne à pleine vitesse. Cela entraîne le remplissage automatique de fil coupant supplémentaire. La lame du fil coupant (17) sous le carter coupe automatiquement le fil coupant selon la longueur correcte pendant le fonctionnement. (Fig. 22 et 24)



REMARQUE : le fait de heurter des objets durs ou abrasifs, tels que des clôtures, du béton et des rochers masqués par de grandes herbes peut entraîner la cassure du fil coupant. En cas de cassure du fil coupant, suivez la procédure de remplissage.

10. INSTRUCTIONS D'UTILISATION

Démarrez le coupe herbe avant de vous trouver à proximité de l'herbe à couper.

Coupez l'herbe en déplaçant le coupe herbe de droite à gauche et avancez lentement, en maintenant le coupe herbe incliné à environ 30°. Les grandes herbes doivent être coupées par couche, en commençant toujours par le haut. Les coupes doivent être courtes.

Ne coupez pas d'herbe humide ou mouillée.

Évitez d'user le fil trop rapidement en heurtant des objets durs (pierres, murs, clôtures, etc.). Utilisez le bord du carter pour maintenir le coupe herbe à bonne distance.



AVERTISSEMENT : ne forcez pas de manière excessive et ne heurtez pas la tête bosselée du coupe herbe sur le sol pour remplir le fil coupant. Si le fil coupant ne rentre pas après que la tête bosselée ait été tapée au sol pendant le fonctionnement du coupe herbe, il est possible que le fil coupant soit emmêlé ou brisé dans la cartouche ou bien qu'il soit épuisé.

REMARQUE : l'application d'une force excessive ou le fait de heurter la tête bosselée du coupe herbe au sol pour remplir le fil coupant endommage la tête bosselée.



AVERTISSEMENT : la tête de coupe continue à tourner pendant quelques secondes après l'arrêt du moteur.

11. RALLONGES ÉLECTRIQUES

Vous devez utiliser uniquement des rallonges pour l'extérieur, en PVC, destinées aux travaux normaux, ou sous gaine en caoutchouc, pour les gros travaux, et d'une section transversale d'au moins 0,75 mm².

Avant l'utilisation, vérifiez que les câbles d'alimentation et les rallonges n'ont pas été endommagés au cours de l'utilisation, débranchez le câble si vous voyez des signes d'endommagement ou d'usure. Si le câble est endommagé au cours de l'utilisation, débranchez-le de la prise immédiatement. **NE TOUCHEZ PAS LE CÂBLE AVANT DE DÉBRANCHER LA PRISE.** N'utilisez pas

l'appareil si le câble est endommagé ou usé. Maintenez la rallonge éloignée des éléments coupants.

Niveau de puissance sonore mesurée : 92,7 dB (A)
Niveau de puissance sonore garantie : 96 dB (A)



AVERTISSEMENT : assurez-vous toujours que les ouvertures de ventilation ne sont pas obstruées par des débris.

17. 12. 2010

Tomoyasu Kato
Directeur
Makita Corporation
3-11-8, Sumiyoshi-cho,
Anjo, Aichi, JAPAN

12. ENTRETIEN

1. Après utilisation, débranchez l'appareil du secteur et vérifiez qu'il n'est pas endommagé.
2. Lorsque vous n'utilisez pas l'appareil, rangez-le hors de portée des enfants.
3. Les coupe-herbes électriques à brancher sur secteur ne doivent être réparés que par un centre de service agréé.
4. Demandez à un centre de service agréé d'effectuer les réparations ou réglages autres que ceux décrits dans le présent manuel.
5. N'utilisez que les pièces et accessoires de rechange recommandés par le fabricant.

13. ÉLIMINATION ÉCOLOGIQUE



Selon la directive 2002/96/CE de l'UE sur les équipements électriques et électroniques et leur implémentation dans la réglementation nationale, tous les outils électriques doivent être collectés séparément et recyclés de façon écologique. Autre méthode

d'élimination: Si le propriétaire de l'outil électrique ne retourne pas l'outil au fabricant, il est responsable de l'élimination propre dans un centre de collecte qui prépare l'appareil pour le recyclage en fonction des lois et réglementations nationales sur le recyclage. Cela n'inclut pas les accessoires et outils sans composants électriques ou électroniques.

Déclaration de conformité CE

Nous, Makita Corporation, en tant que fabricant responsable, déclarons que les machines Makita suivantes :

Nom de la machine : Coupe Herbe

N° de modèle/Type : UR3000

Spécifications: voir le tableau « SPÉCIFICATIONS ». sont fabriquées en série et

sont conformes aux directives européennes suivantes :

2000/14/CE, 2004/108/CE, 2006/42/CE, 2006/95/CE

et sont produites conformément aux normes ou documents de normalisation suivants :

EN55014, EN60335, EN61000, EN62233

La documentation technique est disponible auprès de notre représentant en Europe qui est :

Makita International Europe Ltd.

Michigan Drive, Tongwell,

Milton Keynes, MK15 8JD, Angleterre

La procédure d'évaluation de la conformité requise par la directive 2000/14/CE est conforme à l'annexe VIII.

Organisme notifié:

TÜV SÜD Industrie Service GmbH

Westendstraße 199, D-80686 München

Numéro d'identification : 0036

ITALIANO (Istruzioni originali)

Grazie per aver scelto uno dei nostri prodotti. Siamo sicuri che rimarrà soddisfatto dall'elevata qualità della nostra macchina. Le garantiamo, inoltre, l'assistenza per un lungo periodo.

Prima di iniziare a usare la macchina leggere attentamente il presente manuale, redatto appositamente per fornirle tutte le informazioni necessarie per un uso corretto conforme ai requisiti di sicurezza fondamentali.



SIMBOLI

Alcuni dei simboli che seguono potrebbero essere usati sulla sua macchina utensile, pertanto raccomandiamo di studiarne il significato, in quanto la loro corretta interpretazione permette di usare la macchina con maggior sicurezza e più efficacemente.

SIMBOLI	NOME	SPIEGAZIONE
	Marchio CE	Il prodotto soddisfa i requisiti e le normative previste dalla Comunità Europea (ora Unione Europea).
	Costruzione di classe II	Costruzione a doppio isolamento.
	MARCHIO RAEE	ATTENZIONE! Le macchine utensili inutilizzabili non vanno smaltite insieme ai rifiuti domestici. Vanno invece portate presso un punto di raccolta locale, dove verranno smaltite nel rispetto dell'ambiente in conformità alle normative locali.
	Leggere le istruzioni per l'operatore	Onde ridurre il rischio di lesioni, prima di usare questo prodotto il lettore è tenuto a leggere e comprendere il manuale dell'operatore.
	Scossa elettrica!	Scollegare la spina di rete se il cavo risulta danneggiato o impigliato.
	Evitare l'esposizione alla pioggia	Non lasciare la macchina utensile all'aperto o esposta alla pioggia.
	Indossare protezioni per occhi	Per ridurre il rischio di danni alla vista, indossare protezioni per occhi!
	Marcatura del livello sonoro	Il livello sonoro della macchina utensile non supera i 96 dB.
	TENERE LONTANI TUTTI I PRESENTI!!	TENERE TUTTI I PRESENTI LONTANI DALLA MACCHINA!

1. ISTRUZIONI DI SICUREZZA IMPORTANTI

Lo scopo delle regole di sicurezza è attirare l'attenzione sui possibili pericoli. I simboli di sicurezza e le relative spiegazioni devono essere considerati con attenzione e compresi integralmente. Le avvertenze per la sicurezza non eliminano il pericolo. Usare sempre dispositivi di sicurezza adeguati, come ad esempio le protezioni, anche se si seguono le avvertenze e le istruzioni di sicurezza.



SIMBOLO DI ALLARME SICUREZZA: indica di prestare attenzione; può essere utilizzato insieme ad altri simboli o immagini.



AVVERTENZA: acquisire familiarità con i comandi e l'uso corretto dell'apparecchiatura.



AVVERTENZA: la mancata ottemperanza a un'avvertenza per la sicurezza può determinare gravi infortuni all'utilizzatore o ad altre persone. Osservare sempre le precauzioni di sicurezza per ridurre il rischio di incendio, scosse elettriche e lesioni personali. Conservare il manuale dell'utilizzatore e rileggerlo spesso per garantire costantemente un funzionamento sicuro e addestrare altri utilizzatori.



AVVERTENZA: mai usare il tagliabordi senza la protezione correttamente installata. In caso contrario sussiste il rischio di gravi lesioni personali.



AVVERTENZA: la macchina produce un campo elettromagnetico quando è in uso. In alcune circostanze il campo potrebbe interferire con gli impianti medicali attivi o passivi. Per ridurre il rischio di incidenti gravi o mortali, si raccomanda alle persone con impianti medicali di consultare il proprio medico e il produttore dell'impianto medicale prima di utilizzare questa macchina.



AVVERTENZA: la macchina in moto può provocare il lancio di corpi estranei negli occhi, con conseguente perdita della vista o lesioni gravi degli occhi. Prima di avviare la macchina utensile, indossare sempre occhiali di protezione o sicurezza con schermature laterali e, se necessario, uno schermo facciale completo. Si consiglia di indossare la maschera di protezione ad ampio campo visivo sopra gli occhiali da vista oppure occhiali di sicurezza standard con schermature laterali.

1. Questa macchina non è destinata all'uso da parte di persone (inclusi bambini) con ridotte capacità fisiche, sensoriali o mentali, o con scarsa esperienza e conoscenza del prodotto, a meno che non siano sotto supervisione o non ricevano istruzioni sull'uso della macchina da una persona responsabile della loro sicurezza.
2. I bambini devono essere tenuti sotto controllo per evitare che giochino con la macchina.
3. Leggere attentamente le istruzioni.
4. Acquisire familiarità con i comandi e l'uso corretto dell'apparecchiatura.
5. Prima di usare la macchina controllare la presenza di danni o segni di usura sul cavo di alimentazione e sulla prolunga.
6. Se il cavo si danneggia durante l'uso, scollegarlo immediatamente dall'alimentazione. **NON TOCCARE IL CAVO PRIMA DI SCOLLEGARE L'ALIMENTAZIONE.**
7. Non usare il tagliaerba (tagliabordi), se i cavi sono danneggiati o usurati.
8. Avvertenza: gli elementi di taglio continuano a ruotare dopo lo spegnimento del motore.
9. Mantenere le prolunghe a distanza dagli elementi di taglio.

10. Indossare occhiali di protezione o di sicurezza.
11. Non permettere l'uso della macchina a bambini o persone che non abbiano dimestichezza con le presenti istruzioni.
12. Interrompere l'uso della macchina se nelle vicinanze sono presenti animali o persone, in particolare bambini.
13. Usare la macchina solo alla luce del giorno o sotto una buona illuminazione artificiale.
14. Prima di usare la macchina e dopo ogni urto verificare la presenza di segni di usura o danni ed eventualmente provvedere agli interventi di riparazione necessari.
15. Non utilizzare mai la macchina se le protezioni sono danneggiate o non sono in posizione.
16. Tenere sempre mani e piedi distanti dagli utensili di taglio, in particolare all'accensione del motore.
17. Prestare attenzione ai dispositivi per l'accorciamento del filo di taglio in modo da evitare lesioni. Dopo ogni estensione del filo rimettere il tagliabordi nella posizione di taglio prima di azionarlo.
18. Non utilizzare mai elementi di taglio metallici.
19. Non utilizzare mai parti di ricambio o accessori non forniti o raccomandati dal produttore.
20. Prima di eseguire controlli, interventi di pulizia o lavori sulla macchina, o quando essa non è in uso, scollegarla dalla presa.
21. Assicurarsi sempre che le prese d'aria siano libere da detriti.
22. Se sulla macchina sono riportati dei pittogrammi, ne dovrà essere spiegata la relativa funzione.
23. Scollegare sempre il tagliabordi dalla presa quando lo si lascia incustodito.
24. Quando non viene usata, riporre la macchina fuori dalla portata dei bambini.
25. I tagliabordi alimentati da presa devono essere riparati solo da un centro di assistenza autorizzato.
26. Rivolgersi a un centro di assistenza autorizzato per qualunque riparazione o regolazione non descritta nel presente manuale.
27. Utilizzare solamente parti di ricambio e accessori raccomandati dal produttore.



La politica perseguita da Makita mira al continuo perfezionamento dei propri prodotti, pertanto le relative caratteristiche e specifiche possono variare senza preavviso.

2. ELENCO GENERALE DEI COMPONENTI (Fig. 1)

- | | | |
|--|--------------------------------------|-----------------------|
| 1. Pulsante per il bloccaggio di sicurezza | 5. Impugnatura principale | Accessori: |
| 2. Impugnatura ausiliaria | 6. Leva di comando dell'interruttore | • Cintura |
| 3. Manopola di blocco | 7. Asta | • Occhiali protettivi |
| 4. Pulsante di regolazione | 8. Alloggiamento del motore | |
| | 9. Protezione di sicurezza | |

3. CARATTERISTICHE TECNICHE

Modello	UR3000
Tensione nominale:	230 - 240 V~
Frequenza nominale:	50 - 60 Hz
Potenza nominale:	450 W
Velocità a vuoto:	9.000 min ⁻¹
Larghezza di taglio:	300 mm
Dimensioni del filo:	Φ1,65 mm
Livello di pressione sonora nella posizione dell'operatore:	75,1 dB (A) K = 3 dB (A)
Livello di potenza sonora garantito:	96 dB (A)
Vibrazione:	2,73 m/s ² K = 1,5 m/s ²
Dimensioni (lungh./largh./alt.):	1.016 - 1.256 / 301 / 262 mm
Peso netto:	2,6 kg

4. ISTRUZIONI DI MONTAGGIO

Il tagliabordi è fornito con alcuni componenti non montati. Per montarli, procedere come indicato di seguito:

4-1 Montaggio della protezione di sicurezza

Fissaggio della protezione di sicurezza sull'alloggiamento del motore. (Fig. 2 e 3)

1. Collocare la protezione di sicurezza sull'alloggiamento del motore.
2. Ruotare la protezione di sicurezza verso destra.
3. Fissare la protezione di sicurezza sull'alloggiamento del motore mediante una vite.



AVVERTENZA: prestare attenzione alla lama per l'accorciamento del filo di taglio montata sulla protezione in modo da evitare lesioni. Dopo ogni estensione del filo rimettere il tagliabordi nella posizione di taglio prima di avviarlo.



AVVERTENZA: non utilizzare mai elementi di taglio metallici.



AVVERTENZA: mai usare il tagliabordi senza la protezione di sicurezza correttamente installata. In caso contrario sussiste il rischio di gravi lesioni personali.

4-2 Montaggio dell'impugnatura ausiliaria

1. Fissare l'impugnatura ausiliare al supporto. (Fig. 4)
2. Inserire il bullone nei fori del supporto dell'impugnatura e dell'impugnatura, quindi avvitare parzialmente la manopola di blocco al bullone. (Fig. 5)
3. Appoggiare il corpo macchina al suolo e regolare l'impugnatura ausiliaria in una posizione d'uso comoda. (Fig. 6)
 - 3a. Premere il pulsante di regolazione e impostare la lunghezza desiderata dell'asta.
 - 3b. Ruotare l'impugnatura ausiliaria secondo l'angolo più comodo.
4. Bloccare l'impugnatura ausiliaria avvitando la manopola di blocco.

5. AVVIAMENTO

Prima di avviare il tagliabordi inserire la prolunga nel foro dell'impugnatura principale e fissarvela. (Fig. 7 e 8) Afferrare saldamente il tagliabordi, quindi premere il pulsante per il bloccaggio di sicurezza e la leva di comando dell'interruttore posti sull'estremità superiore dell'impugnatura evitando il contatto fra il tagliabordi e l'erba da tagliare.

Per spegnere il tagliabordi rilasciare la leva di comando dell'interruttore. (Fig. 9)



AVVERTENZA: accendere il motore solo quando le mani e i piedi si trovano a debita distanza dall'utensile da taglio.

6. USO DELLA MACCHINA COME TAGLIABORDI

Per tagliare i bordi di viottoli e vialetti di accesso commutare la macchina dalla modalità tagliaerba alla modalità tagliabordi nel modo seguente:

1. Afferrare l'asta del tagliabordi con una mano e premere il pulsante di rotazione con l'altra mano. (Fig. 10)
2. Ruotare l'asta di 180° finché non si arresta nella modalità tagliabordi. (Fig. 11)



AVVERTENZA: per impedire l'avviamento involontario della macchina e possibili conseguenti gravi lesioni personali, prima di ruotare l'asta staccare sempre il cavo di alimentazione.

7. SOSTITUZIONE DELLA CARTUCCIA DEL FILO DI TAGLIO

Il tagliabordi è munito di una cartuccia del filo di taglio monouso che evita il problema del riavvolgimento del filo di taglio.


Per sostituire una cartuccia di filo di taglio vuota procedere come segue:

1. Premere entrambi i tasti di rilascio del portabobina e sollevarlo dal coperchio (Fig. 12), quindi rimuovere la bobina vuota. (Fig. 13)
2. Smontare la molla e il coperchio dalla bobina vuota e rimontarli nella bobina nuova, dopodiché alimentare i due fili di taglio inserendone le estremità negli occhielli del coperchio. (Fig. 14)
3. Inserire la bobina nuova nel portabobina e abbassare poi il coperchio fino allo scatto in posizione dei tasti di rilascio. (Fig. 15)

8. RICARICA DEL FILO DI TAGLIO

Per ricaricare il filo di taglio procedere come segue:

1. Staccare la macchina dalla presa.
2. Rimuovere la bobina vuota. (Fig. 12 e 13)
3. Tagliare un segmento del nuovo filo di taglio inferiore agli 8 m e piegarlo al centro.
4. Agganciare la parte centrale del nuovo filo di taglio alla tacca posta al centro della bobina tra i due canali forniti per il filo di taglio. La freccia sulla bobina indica la direzione di avvolgimento del filo di taglio. (Fig. 16)
5. Avvolgere ordinatamente il filo di taglio nella sezione A (10). Il filo avvolto dovrà risultare teso e distribuito uniformemente, senza irregolarità. (Fig. 17)
6. Avvolgere tutto il filo di taglio, tranne 100 mm, lasciando l'estremità temporaneamente agganciata a un fermafilo (12) sul fianco della bobina. (Fig. 18)
7. Seguendo la stessa procedura, avvolgere il filo di taglio anche nella sezione B (11) e lasciare l'estremità temporaneamente agganciata. (Fig. 17 e 19)
8. Montare la bobina sul coperchio in modo tale che la posizione di aggancio temporaneo del filo di taglio (13) coincida con le tacche (14) ai lati del coperchio (15). (Fig. 20)
9. Sganciare le estremità del filo di taglio dalla loro posizione temporanea e inserirle nelle tacche ai lati del coperchio. (Fig. 21)

 **AVVERTENZA:** assicurarsi che il coperchio sia fissato correttamente al portabobina. Il mancato fissaggio corretto del coperchio può causare il distacco dei componenti, con conseguenti gravi danni alla persona.

10. Accertarsi che la molla sia in posizione. Infilare il coperchio (15) nel portabobina (16). Assicurarsi che i tasti di rilascio si estendano completamente sul coperchio. (Fig. 14, 15 e 22)
11. Premere il pulsante della bobina (18) ed estrarre un'estremità del filo di taglio. Accertarsi che il filo sia fuoriuscito. (Fig. 22 e 23)
12. Infine, estrarre l'altra estremità del filo senza premere il pulsante della bobina. Accertarsi che il filo sia fuoriuscito.

9. ALIMENTAZIONE DEL FILO

I fili di taglio troppo corti o usurati sono meno efficienti. Per migliorarne la funzionalità, battere leggermente il pulsante della bobina contro il suolo quando il tagliabordo è alla massima velocità. In questo modo verrà automaticamente alimentato del filo di taglio extra. La

lama di taglio del filo (17) posta sotto la protezione taglierà automaticamente il filo di taglio alla lunghezza giusta durante il funzionamento. (Fig. 22 e 24)



NOTA: l'urto contro oggetti duri o abrasivi, come ad esempio steccati, calcestruzzo e rocce nascoste dall'erba alta, può causare la rottura del filo di taglio. Se il filo di taglio si spezza, seguire la procedura di alimentazione del filo.

10. ISTRUZIONI PER L'USO

Avviare il tagliaerba prima di avvicinarsi all'erba da tagliare.

Tagliare l'erba muovendo il tagliabordo da destra a sinistra e viceversa, procedendo lentamente e tenendo la macchina inclinata di circa 30°. Tagliare l'erba alta iniziando sempre dall'alto ed eseguendo più passate di misura ridotta.

Non tagliare l'erba bagnata o umida.

Evitare di usare rapidamente il filo urtando oggetti duri (pietre, muri, steccati, ecc.). Per tenere il tagliabordo alla giusta distanza usare il bordo della protezione.



AVVERTENZA: non usare troppa forza né battere contro il suolo la testina a filo del tagliabordo per alimentare il filo di taglio. Se dopo aver battuto la testina a filo contro il suolo mentre il tagliabordo è in funzione il filo di taglio non viene alimentato, potrebbe essersi aggrovigliato, rotto all'interno della cartuccia o esaurito.
NOTA: l'uso di forza eccessiva e l'urto della testina a filo del tagliabordo contro il suolo per alimentare il filo di taglio possono danneggiare la testina a filo.



AVVERTENZA: una volta spento il motore la testina da taglio continua a ruotare per alcuni secondi.

11. PROLUNGHE

Le prolunghe vanno usate solo per lavori all'aperto, devono essere in PVC per il servizio ordinario o ricoperte con guaina flessibile in gomma per il servizio pesante e avere una sezione non inferiore a 0,75 mm².

Prima dell'uso, controllare il cavo di alimentazione e la prolunga verificando la presenza di danni; durante l'uso, scollegare il cavo se si rilevano segni di danni o di usura. Se il cavo si danneggia durante l'uso, scollegarlo immediatamente dall'alimentazione. **NON TOCCARE IL CAVO PRIMA DI SCOLLEGARE L'ALIMENTAZIONE.** Non utilizzare la macchina se il cavo è danneggiato o usurato. Mantenere la prolunga a distanza dagli elementi di taglio.



AVVERTENZA: assicurarsi sempre che le prese d'aria siano libere da detriti.

12. MANUTENZIONE

1. Dopo l'uso scollegare la macchina dalla presa e verificare la presenza di eventuali danni.
2. Quando non viene usata, riporre la macchina fuori dalla portata dei bambini.

3. I tagliabordi alimentati da presa devono essere riparati solo da un centro di assistenza autorizzato.
4. Rivolgersi a un centro di assistenza autorizzato per qualunque riparazione o regolazione non descritta nel presente manuale.
5. Utilizzare solamente parti di ricambio e accessori raccomandati dal produttore.

13. SMALTIMENTO ECOCOMPATIBILE



Secondo la direttiva UE 2002/96/EC sulle apparecchiature elettriche ed elettroniche e la sua applicazione nelle leggi nazionali, tutti gli utensili elettrici devono essere raccolti separatamente e riciclati in maniera ecocompatibile. Smaltimento alternativo: se il

proprietario della macchina non la restituisce al produttore, è responsabile del corretto smaltimento presso un punto di raccolta adeguato, che prepari il dispositivo per il riciclo secondo le leggi e le normative nazionali in materia.

Non sono inclusi gli accessori e gli utensili privi di componenti elettrici o elettronici.

Dichiarazione di conformità CE Makita Corporation, in qualità di produttore responsabile, dichiara che le macchine Makita indicate di seguito:

Denominazione della macchina: Tagliabordi

N. modello/Tipo: UR3000

Caratteristiche tecniche: vedere la tabella
"CARATTERISTICHE TECNICHE".

appartengono a una produzione in serie e

sono conformi alle seguenti direttive europee:

2000/14/EC, 2004/108/EC, 2006/42/EC, 2006/95/EC

Sono inoltre prodotte in conformità con gli standard o i documenti standardizzati riportati di seguito:

EN55014, EN60335, EN61000, EN62233

La documentazione tecnica viene conservata dal rappresentante autorizzato in Europa, ovvero:

Makita International Europe Ltd.

Michigan Drive, Tongwell,

Milton Keynes, MK15 8JD, Inghilterra

La procedura di valutazione della conformità richiesta dalla Direttiva 2000/14/EC è stata effettuata secondo quanto specificato nell'allegato VIII.

Ente competente:

TÜV SÜD Industrie Service GmbH

Westendstraße 199, D-80686 München

Numero di identificazione: 0036

Livello di potenza sonora misurato: 92,7 dB (A)

Livello di potenza sonora garantito: 96 dB (A)

17. 12. 2010

Tomoyasu Kato

Direttore

Makita Corporation

3-11-8, Sumiyoshi-cho,

Anjo, Aichi, JAPAN

NEDERLANDS (Originele instructies)

Wij willen u hartelijk danken voor uw keuze voor ons product. Wij zijn ervan overtuigd dat de hoge kwaliteit van ons gereedschap zal voldoen aan uw verwachtingen en uw waardering zal oogsten, en dat wij u langdurig van dienst mogen zijn.

Voordat u het gereedschap gaat gebruiken, leest u deze handleiding die is opgesteld met als doel u te voorzien van alle benodigde informatie voor een juist gebruik in overeenstemming met de basisveiligheidsvereisten.



SYMBOLEN

Sommige van de volgende symbolen kunnen zijn toegepast op uw gereedschap. Bekijk ze goed en onthoud hun betekenis. Een juiste interpretatie van deze symbolen stelt u in staat het gereedschap veiliger en efficiënter te gebruiken.

SYMBOLEN	NAAM	VERKLARING
	CE-symbool	Het product voldoet aan de vereisten en richtlijnen opgesteld door de Europese Gemeenschap (nu de Europese Unie).
	Constructie volgens Klasse II	Dubbelgeïsoleerde constructie.
	WEEE-MARKERING	LET OP! Onbruikbare elektrisch gereedschappen horen niet in het huisvuil. Zij moeten naar een openbaar inzamelpunt voor milieuvriendelijke verwerking worden gebracht in overeenstemming met plaatselijke regelgeving.
	Lees de instructies voor de operator	Om het risico van letsel te verkleinen, moet de gebruiker de gebruiksaanwijzing voor de operator lezen en begrijpen voordat hij/zij dit gereedschap gebruikt.
	Elektrische schokken!	Trek de stekker uit het stopcontact als het netsnoer beschadigd is of in de knoop zit.
	Stel het gereedschap niet bloot aan regen	Laat het gereedschap niet buiten liggen en stel het niet bloot aan regen.
	Draag oogbescherming	Om de risico's voor uw ogen te verkleinen, dient u oogbescherming te dragen!
	Geluidsniveaumarkering	De geluidsproductie van het gereedschap is niet hoger dan 96 dB.
	HOUD OMSTANDERS UIT DE BUURT!	HOUD ALLE OMSTANDERS UIT DE BUURT!

1. BELANGRIJKE VEILIGHEIDSINSTRUCTIES

Het doel van deze veiligheidsvoorschriften is om uw aandacht te vestigen op mogelijke risico's. Uw zorgvuldige aandacht en begrip voor de veiligheidspictogrammen en de daarbij behorende uitleg is noodzakelijk. De veiligheidswaarschuwingen voorkomen geen gevaar. Gebruik altijd de juiste beschermende hulpmiddelen, zoals de veiligheidskap, ondanks dat u zich aan de veiligheidsinstructies en waarschuwingen houdt.



VEILIGHEIDSWAARSCHUWING-PICTOGRAM:

Geeft een veiligheidsvoorziening of waarschuwing aan en kan gebruikt worden in combinatie met andere pictogrammen of afbeeldingen.



WAARSCHUWING: Zorg dat u vertrouwd bent met de bedieningsknoppen en de juiste omgang met het gereedschap.



WAARSCHUWING: Als de veiligheidswaarschuwingen niet worden nageleefd kan dit ernstig letsel voor u of anderen tot gevolg hebben. Volg

altijd de veiligheidsvoorzorgsmaatregelen op om het risico van brand, elektrische schok of persoonlijk letsel te verminderen. Bewaar de gebruiksaanwijzing en lees deze regelmatig door voor een veilige bediening in de toekomst en aanwijzingen te geven aan anderen die dit gereedschap kunnen gebruiken.



WAARSCHUWING: Gebruik de strimmer nooit zonder dat de veiligheidskap goed is aangebracht. Als u zich niet aan deze waarschuwing houdt, kan ernstig persoonlijk letsel worden veroorzaakt.



WAARSCHUWING: Dit gereedschap produceert tijdens gebruik een elektromagnetisch veld. Dit veld kan onder bepaalde omstandigheden de werking van actieve of passieve medische implantaten hinderen. Om het risico van ernstig persoonlijk en fataal letsel te verminderen, adviseren wij personen met medische implantaten hun arts en de fabrikant van het implantaat te raadplegen alvorens dit gereedschap te bedienen.



WAARSCHUWING: Bij omgang met elk gereedschap bestaat het risico dat er vreemde voorwerpen in uw ogen geslingerd worden, wat blindheid of ernstig oogletsel tot gevolg kan hebben. Voordat u begint met het gebruik van het elektrisch gereedschap dient u altijd een beschermende bril of een veiligheidsbril met zijstukken en een spatscherm als dat nodig is te dragen. Wij adviseren een breedzicht-veiligheidsmasker om over een gewone bril te dragen, of een standaardveiligheidsbril met zijstukken.

1. Dit apparaat is niet geschikt voor gebruik door personen (waaronder kinderen) met een verminderd lichamelijk, zintuiglijk of geestelijk vermogen, of gebrek aan kennis en ervaring, behalve indien zij instructies hebben gehad en onder toezicht staan van een persoon die verantwoordelijk is voor hun veiligheid.
2. Kinderen dienen onder toezicht te staan om ervoor te zorgen dat zij niet met het apparaat spelen.
3. Lees de gebruiksaanwijzingen zorgvuldig.
4. Zorg dat u vertrouwd bent met de bedieningsknoppen en de juiste omgang met het gereedschap.
5. Controleer voor gebruik het netsnoer en verlengsnoer op tekenen van beschadiging of veroudering.
6. Als het snoer tijdens gebruik beschadigd raakt, moet u de stekker onmiddellijk uit het stopcontact trekken. **RAAK HET SNOER NIET AAN VOORDAT DE STEKKER UIT HET STOPCONTACT IS GETROKKEN.**
7. Gebruik de strimmer (graskantmaaier) niet wanneer het snoer beschadigd of gesleten is.
8. Waarschuwing: Na het uitschakelen van de motor blijft het snijgarnituur nog even ronddraaien.
9. Houd de snoeren uit de buurt van het snijgarnituur.
10. Draag een veiligheidsbril of een spatscherm.
11. Laat in geen geval de grasmaaier gebruiken door kinderen of personen die niet bekend zijn met de instructies.

12. Onderbreek het gebruik van het gereedschap wanneer andere personen, met name kinderen, of huisdieren in de buurt komen.
13. Gebruik het gereedschap alleen bij daglicht of voldoende kunstlicht.
14. Vóór gebruik van het gereedschap en na iedere botsing, controleert u op tekenen van slijtage of beschadiging, en repareert u het gereedschap zo nodig.
15. Gebruik het gereedschap nooit met beschadigde beschermkappen of zonder aangebrachte beschermkappen.
16. Houd altijd handen en voeten uit de buurt van het snijgarnituur, met name bij het inschakelen van de motor.
17. Wees voorzichtig dat u geen letsel oploopt door het mesje voor het op lengte afsnijden van de nylondraad. Nadat u de nylondraad hebt uitgetrokken, zet u het gereedschap altijd eerst terug rechtop voordat u hem inschakelt.
18. Monteer nooit een metalen snijgarnituur.
19. Gebruik nooit vervangingsonderdelen of accessoires die niet worden aanbevolen door de fabrikant.
20. Trek de stekker van het gereedschap uit het stopcontact voordat u aan het gereedschap controles uitvoert, het schoonmaakt of eraan werkt, en wanneer het gereedschap niet in gebruik is.
21. Zorg ervoor dat de ventilatieopeningen altijd vrij zijn van vuil.
22. Als symbolen of pictogrammen op het gereedschap worden gebruikt, moet de betekenis ervan worden verklaard.
23. Trek altijd de stekker van het netsnoer van de strimmer uit het stopcontact wanneer u de strimmer onbeheerd achterlaat.
24. Als het gereedschap niet in gebruik is, bewaart u het op een plaats buiten het bereik van kinderen.
25. Elektrische strimmers mogen alleen worden gerepareerd door een erkend servicecentrum.
26. Vraag een erkend servicecentrum iedere reparatie of afstelling uit te voeren, anders dan in deze handleiding wordt beschreven.
27. Gebruik uitsluitend de door de fabrikant aanbevolen vervangingsonderdelen en accessoires.



Als gevolg van het continue productverbeteringsprogramma van Makita, kunnen de functies en specificaties van het product veranderen zonder voorafgaande kennisgeving.

2. ALGEMENE IDENTIFICATIE (zie afb. 1)

- | | | |
|------------------------------|-----------------------|-----------------------|
| 1. Veiligheidsvergrendelknop | 6. Aan/uit-schakelaar | Accessoires: |
| 2. Hulphandgreep | 7. Stang | • Riem |
| 3. Vergrendelknop | 8. Motorhuis | • Oogbeschermingsglas |
| 4. Verstelknop | 9. Veiligheidskap | |
| 5. Hoofdhandgreep | | |

3. TECHNISCHE GEGEVENS

Model	UR3000
Nominale spanning:	230 - 240 V~
Nominale frequentie:	50 - 60 Hz
Nominaal vermogen:	450 W
Onbelast toerental:	9.000 min ⁻¹
Snijbreedte:	300 mm
Draaddikte:	Φ1,65 mm
Geluidsdruk niveau ter plaatse van de gebruiker:	75,1 dB (A) K = 3 dB (A)
Gegarandeerd geluidsvermogen niveau:	96 dB (A)
Trillingen:	2,73 m/s ² K = 1,5 m/s ²
Afmetingen (lxbxh):	1.016 - 1.256 / 301 / 262 mm
Netto gewicht:	2,6 kg

4. DE ONDERDELEN MONTEREN

De strimmer wordt geleverd met enkele losse onderdelen. Om deze te monteren, gaat u als volgt te werk:

4-1 De veiligheidsskap monteren

Om de veiligheidsskap aan het motorhuis te bevestigen, gaat u als volgt te werk (zie afb. 2 en 3):

1. Plaats de veiligheidsskap op het motorhuis.
2. Draai de veiligheidsskap in de juiste stand.
3. Bevestig de veiligheidsskap met een schroef aan het motorhuis.



WAARSCHUWING: Wees voorzichtig voor letsel door het mesje in de veiligheidsskap dat dient om de nylondraad op lengte af te snijden. Nadat u de nylondraad hebt uitgetrokken, zet u de strimmer altijd eerst terug rechtop voordat u hem inschakelt.



WAARSCHUWING: Monteer nooit een metalen snijgarnituur.



WAARSCHUWING: Gebruik de strimmer nooit zonder dat de veiligheidsskap goed is aangebracht. Als u zich niet aan deze waarschuwing houdt, kan ernstig persoonlijk letsel worden veroorzaakt.

4-2 De hulphandgreep monteren

1. Plaats de hulphandgreep in de steun op de stang. (zie afb. 4)
2. Steek de bout door de gaten in de steun en de handgreep, en draai de vergrendelknop op de bout, maar nog niet helemaal. (zie afb. 5)
3. Zet het gereedschap met de snijkop op de grond en stel de hulphandgreep af op een voor u comfortabele

stand ten opzichte van de andere handgreep. (zie afb. 6)

3a. Druk op de verstelknop en stel de stang af op een voor u geschikte lengte.

3b. Draai de hulphandgreep naar een voor u comfortabele hoek.

4. Draai de vergrendelknop om de hulphandgreep vast te zetten.

5. INSCHAKELEN

Voordat u de strimmer inschakelt, steekt u het verlengsnoer door de opening in de hoofdhandgreep en haakt u het achter de snoerhaak. (zie afb. 7 en 8)

Houd de strimmer stevig vast en zonder dat deze het te maaien gras raakt, drukt u op de veiligheidsvergrendelknop en knijpt u de aan/uit-schakelaar op de hoofdhandgreep in.

Om de strimmer uit te schakelen, laat u de aan/uit-schakelaar los. (zie afb. 9)



WAARSCHUWING: Schakel de motor alleen in wanneer uw handen en voeten uit de buurt van het snijgarnituur zijn.

6. DE STRIMMER GEBRUIKEN ALS EEN GRASKANTMAAIER

Om de graskanten langs een oprit of tuinpad te maaien, verandert u de strimmer-stand in de graskantmaaier-stand als volgt:

1. Houd de stang van de strimmer met één hand vast en druk met de andere hand op de standenknop. (zie afb. 10)
2. Draai de stang 180° tot deze vergrendeld wordt in de graskantmaaier-stand. (zie afb. 11)



WAARSCHUWING: Om per ongeluk starten en mogelijk ernstig persoonlijk letsel te voorkomen, trekt u altijd de stekker van het netsnoer uit het stopcontact voordat u probeert de stang te draaien.

7. DE NYLONDRAADSPOEL VERVANGEN

Uw strimmer is uitgerust met een wegwerp-type nylondraadspoel zodat het lastige opwickelen van de nylondraad op de draadspoel niet meer nodig is. Om een lege nylondraadspoel te vervangen, gaat u als volgt te werk:

1. Druk beide vergrendelknoppen op de spoelhouder in zodat de lege draadspoel omhoog komt uit de spoelhouder (**zie afb. 12**) en verwijder de lege draadspoel (**zie afb. 13**).
2. Haal de veer en de spoelkap van de lege draadspoel af en breng deze aan op de nieuwe draadspoel. Steek vervolgens de nylondraden van de nieuwe draadspoel door de oogjes in de zijkant van de spoelkap. (**zie afb. 14**)
3. Plaats de nieuwe draadspoel in de spoelhouder en druk de spoelkap omlaag tot deze door de vergrendelknoppen op zijn plaats wordt vergrendeld. (**zie afb. 15**)

8. DE NYLONDRAAD BIJVULLEN

Om de nylondraad bij te vullen gaat u als volgt te werk:

1. Trek de stekker van het netsnoer van het gereedschap uit het stopcontact.
2. Verwijder de lege draadspoel. (**zie afb. 12 en 13**)
3. Snij een nieuwe nylondraad af op korter dan 8 meter en vouw deze in het midden dubbel.
4. Haak het midden van de nieuwe nylondraad in de inkeping in het midden van de draadspoel tussen de 2 kanalen waarin de nylondraad moet worden opgewikkeld. De pijl op de draadspoel geeft de richting aan waarin de nylondraad moet worden opgewikkeld. (**zie afb. 16**)
5. Wikkel een helft van de nylondraad op regelmatige wijze rond het A-gedeelte (**10**) van de draadspoel. Zorg ervoor dat u de nylondraad strak en geordend opwikkelt zodat het oppervlak van de wikkelingen vlak is. (**zie afb. 17**)
6. Wikkel op 100 mm na de hele nylondraad op de draadspoel, en klem het uiteinde tijdelijk vast in een draadhouder (**12**) in de zijrand van de draadspoel. (**zie afb. 18**)
7. Wikkel op dezelfde manier de andere helft van de nylondraad op het B-gedeelte (**11**) van de draadspoel en klem ook dat uiteinde tijdelijk vast in een draadhouder. (**zie afb. 17 en 19**)
8. Bevestig de draadspoel zodanig op de spoelkap dat de tijdelijk vastgeklemde uiteinden van de nylondraad (**13**) samenvallen met de oogjes (**14**) in de zijkant van de spoelkap (**15**). (**zie afb. 20**)
9. Maak de uiteinden van de nylondraad los uit hun tijdelijke positie in de draadhouders en steek ze in de oogjes in de zijkant van de spoelkap. (**zie afb. 21**)



WAARSCHUWING: Zorg ervoor dat de spoelkap goed wordt bevestigd aan de spoelhouder. Als de spoelkap niet goed wordt bevestigd, kunnen tijdens gebruik de onderdelen in het rond vliegen en ernstig persoonlijk letsel veroorzaken.

10. Zorg ervoor dat de veer op zijn plaats zit. Duw de spoelkap (**15**) op de spoelhouder (**16**). Controleer of de vergrendelknoppen zich volledig spreiden in de openingen in de spoelkap. (**zie afb. 14, 15 en 22**)
11. Druk de stootknop (**18**) in en trek één uiteinde van de nylondraad naar buiten. Controleer dat de nylondraad naar buiten is gevoerd. (**zie afb. 22 en 23**)
12. Trek tenslotte ook het andere uiteinde van de nylondraad naar buiten zonder de stootknop in te drukken. Controleer dat de nylondraad naar buiten is gevoerd.

9. DE NYLONDRAAD AANVOEREN

Een korte of gesleten nylondraad maait minder efficiënt. Om de werking te verbeteren, tikt u met de stootknop op de grond terwijl de strimmer op volle snelheid draait. Hierdoor wordt de nylondraad automatisch aangevoerd. Het mesje (**17**) in de veiligheidskap zal tijdens gebruik automatisch de nylondraad op de juiste lengte afsnijden. (**zie afb. 22 en 24**)



OPMERKING: Als de nylondraden tegen harde of schurende voorwerpen komt, zoals palen, beton of stenen verborgen in het lange gras, kan de nylondraad afbreken. Als de nylondraad is afgebroken, volgt u de aanvoerprocedure.

10. AANWIJZINGEN VOOR GEBRUIK

Schakel de strimmer in voordat deze het te maaien gras raakt.

Maai het gras door de strimmer van rechts naar links te bewegen en langzaam vooruit te gaan, waarbij u de strimmer onder een hoek van 30° houdt. Hoog gras moet in lagen worden gemaaid, beginnend aan de bovenkant. Maai per keer een geringe lengte.

Maai geen vochtig of nat gras.

Voorom dat de nylondraad snel verslijt door harde voorwerpen te raken (stenen, muren, palen, enz.) Gebruik de rand van de veiligheidskap om de strimmer op een veilige afstand te houden.



WAARSCHUWING: Gebruik geen buitensporige kracht wanneer u de stootknop op de grond stoot om nieuwe nylondraad aan te voeren. Als de nylondraad niet wordt aangevoerd nadat bij ingeschakelde strimmer de stootknop op de grond is gestoten, is mogelijk de nylondraad verstrikt of gebroken binnenin de draadspoel, of is de nylondraad opgebruikt.

OPMERKING: Door buitensporige kracht te gebruiken wanneer de stootknop op de grond wordt gestoten om

nieuwe nylondraad aan te voeren, zal de stootknop beschadigd raken.



WAARSCHUWING: Nadat de strimmer is uitgeschakeld, draait de snijkop nog enkele seconden door.

11. VERLENGSNOEREN

U mag uitsluitend verlengsnoeren gebruiken die geschikt zijn voor gebruik buitenshuis, gemaakt zijn van normale pvc of zwaar-uitgevoerd flexibel rubber, en een dwarsdoorsnede hebben van niet minder dan 0,75 mm². Controleer het netsnoer en de verlengsnoeren voor gebruik op beschadigingen, en trek de stekker van het snoer uit het stopcontact als het sporen van beschadiging of veroudering vertoont. Als het snoer tijdens gebruik beschadigd raakt, moet u de stekker onmiddellijk uit het stopcontact trekken. **RAAK HET SNOER NIET AAN VOORDAT DE STEKKER UIT HET STOPCONTACT IS GETROKKEN.** Gebruik het apparaat niet als het snoer beschadigd of versleten is. Houd het verlengsnoer uit de buurt van het snijgereedschap.



WAARSCHUWING: Zorg ervoor dat de ventilatieopeningen altijd vrij zijn van vuil.

12. ONDERHOUD

1. Trek na gebruik de stekker van het gereedschap uit het stopcontact en controleer op beschadigingen.
2. Als het gereedschap niet in gebruik is, bewaart u het op een plaats buiten het bereik van kinderen.
3. Elektrische strimmers mogen alleen worden gerepareerd door een erkend servicecentrum.
4. Vraag een erkend servicecentrum iedere reparatie of afstelling uit te voeren, anders dan in deze handleiding wordt beschreven.
5. Gebruik uitsluitend de door de fabrikant aanbevolen vervangingsonderdelen en accessoires.

13. MILIEUVRIENDELIJKE VERWERKING



Volgens de Europese richtlijn 2002/96/EC inzake elektrische en elektronische apparaten en de toepassing daarvan binnen de nationale wetgeving, dienen alle elektrische gereedschappen gescheiden te worden ingezameld en op een milieuvriendelijke wijze

te worden hergebruikt. Alternatieve verwerking: Als de eigenaar van het elektrische gereedschap het apparaat niet terugstuurt naar de fabrikant, is hij verantwoordelijk voor een correcte afvalverwerking door een aangewezen inzamelpunt dat het apparaat voorbereid voor hergebruik volgens de nationale wetten en regelgeving op het gebied van hergebruik.

Dit is niet van toepassing op accessoires en gereedschappen zonder elektrische of elektronische componenten.

EU-verklaring van conformiteit

Wij, Makita Corporation, als de verantwoordelijke fabrikant, verklaren dat de volgende Makita-machine(s):

Aanduiding van de machine: Strimmer
Modelnr./Type: UR3000

Technische gegevens: zie de tabel "TECHNISCHE GEGEVENS".

in serie is geproduceerd en

Voldoet aan de volgende Europese richtlijnen:

2000/14/EC, 2004/108/EC, 2006/42/EC, 2006/95/EC

En is gefabriceerd in overeenstemming met de volgende norm of genormaliseerd document:

EN55014, EN60335, EN61000, EN62233

De technische documentatie wordt bewaard door onze erkende vertegenwoordiger in Europa, te weten:

Makita International Europe Ltd.
Michigan Drive, Tongwell,
Milton Keynes, MK15 8JD, Engeland

De conformiteitsbeoordelingsprocedure vereist door Richtlijn 2000/14/EC was is Overeenstemming met annex VIII.

Officiële instantie:

TÜV SÜD Industrie Service GmbH
Westendstraße 199, D-80686 München
Identificatienummer: 0036

Gemeten geluidsvermogeniveau: 92,7 dB (A)

Gegarandeerd geluidsvermogeniveau: 96 dB (A)

17-12-2010

Tomoyasu Kato
Directeur
Makita Corporation
3-11-8, Sumiyoshi-cho,
Anjo, Aichi, JAPAN

ESPAÑOL (Instrucciones originales)

Le agradecemos que haya elegido nuestros productos. Confiamos en que la alta calidad de nuestra máquina le satisfará, será de su agrado y nos permitirá ofrecerle un servicio duradero.

Antes de empezar a utilizar la máquina, asegúrese de leer con atención este manual, que se ha creado para proporcionarle toda la información necesaria para un uso correcto, en cumplimiento de los requisitos de seguridad básicos.



SÍMBOLOS

Es posible que algunos de los símbolos se utilicen en su herramienta, estúdielos y conozca su significado; una correcta interpretación de esos símbolos le permitirá utilizar la herramienta de forma más segura y efectiva.

SÍMBOLOS	NOMBRE	EXPLICACIÓN
	Marca CE	El producto cumple con las exigencias y las normativas de la Comunidad Europea (ahora Unión Europea).
	Construcción de Clase II	Construcción de doble aislamiento.
	Marca WEEE	¡PRECAUCIÓN! Las herramientas eléctricas inutilizables no se deben desechar con los residuos domésticos. Deben llevarse a un punto de recolección comunitario para que se desechen de forma respetuosa con el medio ambiente y de acuerdo con las normativas locales.
	Lea las instrucciones del operario	Para reducir el riesgo de lesiones, el usuario debe leer y comprender el manual del operario antes de utilizar este producto.
	¡Descarga eléctrica!	Desconecte el enchufe de la toma eléctrica si el cable está dañado o enredado.
	No exponga la herramienta a la lluvia	No deje la herramienta a la intemperie o expuesta a la lluvia.
	Utilice protección para los ojos	¡Para reducir el riesgo de lesiones en los ojos, utilice protección para los ojos!
	Marca de nivel de ruido	El ruido de la herramienta no es superior a 96 dB.
	¡MANTENGA ALEJADAS A TODAS LAS PERSONAS CIRCUNDANTES!	MANTENGA ALEJADAS A TODAS LAS PERSONAS CIRCUNDANTES

1. INSTRUCCIONES IMPORTANTES DE SEGURIDAD

El propósito de las normas de seguridad es llamar su atención ante posibles peligros. Los símbolos de seguridad y las explicaciones que los acompañan requieren su atención y comprensión. Las advertencias de seguridad no eliminan ningún peligro. Utilice siempre el equipo de seguridad adecuado, como por ejemplo protecciones, aunque siga las advertencias y las instrucciones de seguridad.



SÍMBOLO DE ALERTA DE SEGURIDAD: Indica que debe tenerse precaución o seguir una advertencia en conjunción con otros símbolos o imágenes.



ADVERTENCIA: Familiarícese con los controles y el uso correcto del equipo.



ADVERTENCIA: Si no sigue las advertencias de seguridad, el resultado puede ser lesiones graves a usted mismo o a otros. Siga siempre las precauciones de seguridad para reducir el riesgo de fuego, descargas eléctricas y lesiones personales. Guarde el manual del

propietario y revíselo frecuentemente para un uso seguro continuado y para proporcionar instrucciones a otras personas que puedan usar esta herramienta.



ADVERTENCIA: Nunca utilice la desbrozadora sin la protección adecuada instalada. Si no se sigue esta advertencia se pueden provocar graves lesiones corporales.



ADVERTENCIA: Esta máquina crea un campo electromagnético durante su funcionamiento. En ciertas circunstancias este campo puede interferir con implantes médicos activos o pasivos. Para reducir el riesgo de lesiones graves o fatales, se recomienda a las personas con implantes médicos que consulten con su doctor y el fabricante del implante médico antes de utilizar esta máquina.



ADVERTENCIA: Durante el uso de la herramienta pueden salir despedidos hacia sus ojos objetos extraños, lo que puede provocar pérdida de visión o graves daños en los ojos. Para utilizar la herramienta eléctrica, utilice siempre gafas de seguridad o gafas de seguridad con protecciones laterales y una careta protectora completa cuando sea necesario. Recomendamos una máscara de seguridad de amplia visión para su uso sobre gafas convencionales o gafas de seguridad estándar con protectores laterales.

1. Este aparato no se ha diseñado para ser utilizado por personas (incluyendo niños) con capacidades mentales, sensoriales o físicas reducidas o con falta de experiencia y conocimientos, a menos que esas personas estén supervisadas o hayan recibido instrucciones de uso del aparato de una persona responsable de su seguridad.
2. Se debe supervisar a los niños para asegurarse de que no juegan con el aparato.
3. Lea las instrucciones atentamente.
4. Familiarícese con los controles y el uso correcto del equipo.
5. Antes de su uso, compruebe si la fuente de alimentación y el cable de extensión muestran símbolos de daños o envejecimiento.
6. Si el cable se daña durante el uso, desconéctelo de la toma de corriente inmediatamente. **NO TOQUE EL CABLE ANTES DE DESCONECTARLO DE LA TOMA DE CORRIENTE.**
7. No utilice la desbrozadora si los cables están dañados o gastados.

2. IDENTIFICACIÓN GENERAL (Fig. 1)

- | | |
|----------------------------------|----------------------------|
| 1. Botón de bloqueo de seguridad | 6. Interruptor disparador |
| 2. Empuñadura auxiliar | 7. Tubo |
| 3. Pomo de bloqueo | 8. Caja del motor |
| 4. Botón de ajuste | 9. Protección de seguridad |
| 5. Empuñadura principal | |

8. Advertencia: Los elementos de corte siguen girando después de apagar el motor.
9. Mantenga los cables de extensión alejados de los elementos de corte.
10. Utilice siempre gafas de seguridad.
11. Nunca deje que los niños o personas que no estén familiarizadas con las instrucciones utilicen la máquina.
12. Deje de utilizar la máquina mientras haya cerca personas, especialmente niños, o animales.
13. Utilice la máquina solamente con luz diurna o con buena luz artificial.
14. Antes de utilizar la máquina y tras cualquier impacto, compruebe si hay signos de desgaste o daños y realice las reparaciones necesarias.
15. Nunca utilice la máquina con las protecciones dañadas o sin utilizar protecciones.
16. Mantenga las manos y los pies alejados de los dispositivos de corte en todo momento y especialmente al encender el motor.
17. Tenga cuidado con las lesiones al ajustar la longitud de la línea de corte. Tras extender la nueva línea de corte, devuelva siempre la máquina a su posición de funcionamiento normal antes de encenderla.
18. Nunca monte elementos de corte de metal.
19. Nunca utilice recambios o accesorios que no hayan sido proporcionados o recomendados por el fabricante.
20. Desconecte la máquina de la corriente antes de comprobar, limpiar o realizar trabajos en la máquina y cuando no la use.
21. Asegúrese siempre de que las aberturas de ventilación estén libres de residuos.
22. Allí donde se utilicen símbolos y pictogramas en las marcas de la máquina se explicará su función.
23. Desconecte siempre la desbrozadora de la toma eléctrica cuando la deje desatendida.
24. Cuando no la utilice, almacene la máquina lejos del alcance de los niños.
25. Las desbrozadoras con alimentación eléctrica solamente se deben reparar en un centro de servicio autorizado.
26. Solicite a un centro de servicio autorizado que realice cualquier reparación o ajuste que no se describa en este manual.
27. Utilice solamente accesorios y piezas de recambio recomendados por el fabricante.



A causa de la política de continua mejora de los productos de Makita, las características y especificaciones del producto cambiarán sin previo aviso.

Accesorios:

- Cinturón
- Gafas de protección ocular

3. ESPECIFICACIONES

Modelo	UR3000
Tensión nominal:	230 - 240 V~
Frecuencia nominal:	50 - 60 Hz
Potencia nominal:	450 W
Velocidad en vacío:	9.000 min ⁻¹
Ancho de corte:	300 mm
Tamaño de la línea:	Φ1,65 mm
Nivel de presión de sonido en la posición del operario:	75,1 dB (A) K=3 dB (A)
Nivel de potencia sonora garantizado:	96 dB (A)
Vibración:	2,73 m/s ² K=1,5 m/s ²
Tamaño (La/ An/ Al):	1.016 - 1.256 / 301 / 262 mm
Peso neto:	2,6 kg

4. INSTRUCCIONES DE MONTAJE

La desbrozadora se suministra con algunos componentes no ensamblados. Para ensamblarlos, siga este procedimiento:

4-1 Montaje de las protecciones de seguridad

Fije la protección de seguridad en la caja del motor. (Fig. 2 y 3)

1. Coloque la protección de seguridad en la caja del motor.
2. Gire la protección de seguridad hasta la posición correcta.
3. Fije la protección de seguridad en la caja del motor con un tornillo.



ADVERTENCIA: Tenga cuidado de no sufrir lesiones provocadas por la cuchilla montada en la protección para cortar la línea a la longitud deseada. Tras extender la nueva línea de corte, devuelva siempre la desbrozadora a su posición de funcionamiento normal antes de encenderla.



ADVERTENCIA: Nunca monte elementos de corte de metal.



ADVERTENCIA: Nunca utilice la desbrozadora sin la protección adecuada instalada. Si no se sigue esta advertencia se pueden provocar graves lesiones corporales.

4-2 Montaje de la empuñadura auxiliar

1. Acople la empuñadura auxiliar al soporte. (Fig. 4)
2. Inserte el perno en los orificios del soporte de la empuñadura y la empuñadura y atornille el pomo de bloqueo al perno, pero no lo atornille completamente. (Fig. 5)
3. Coloque el cabezal de la máquina en el suelo y ajuste la empuñadura auxiliar en una posición cómoda para usted. (Fig. 6)

3a. Presione el botón de ajuste y ajuste la longitud del tubo que desee.

3b. Gire la empuñadura auxiliar a un ángulo cómodo para usted.

4. Atornille el pomo de bloqueo para fijar la empuñadura auxiliar.

5. ARRANQUE

Antes de poner en marcha la desbrozadora, fije el cable de extensión al orificio de la empuñadura principal. (Fig. 7 y 8)

Sujete firmemente la desbrozadora y, sin dejar que toque la hierba que desee cortar, suelte el botón de bloqueo y el interruptor disparador de la empuñadura superior. Para apagar la desbrozadora, suelte el interruptor disparador. (Fig. 9)



ADVERTENCIA: Ponga en marcha el motor solamente cuando los pies y las manos estén alejados de la herramienta de corte.

6. UTILIZACIÓN DE LA DESBROZADORA COMO BORDEADORA

Para bordear caminos y senderos, transforme la desbrozadora del modo de desbrozadora al modo de bordeadora de la siguiente manera:

1. Sujete el tubo de la desbrozadora con una mano y presione el botón de giro con la otra mano. (Fig. 10)
2. Gire el tubo 180° hasta que se bloquee en el modo de bordeadora. (Fig. 11)



ADVERTENCIA: Para evitar la puesta en marcha accidental, que puede provocar graves lesiones, desconecte siempre el cable de alimentación antes de intentar girar el eje.

7. SUSTITUCIÓN DEL CARTUCHO DE LA LÍNEA DE CORTE

La desbrozadora se suministra con un cartucho de línea de corte totalmente desechable que soluciona el problemático rebobinado de la línea de corte.

Para sustituir un cartucho de línea de corte vacío, siga este procedimiento:

1. Presione el pestillo de liberación del soporte del carrete y extráigalo de su alojamiento (**Fig. 12**) y retire el cartucho vacío. (**Fig. 13**)
2. Extraiga el muelle y la tapa del carrete vacío e insértelo en el carrete nuevo, a continuación alimente las dos líneas de corte del nuevo carrete a través de los ojales de la tapa. (**Fig. 14**)
3. Coloque el nuevo carrete en el soporte del carrete y después presiónelo hasta que se bloquee mediante el pestillo de liberación. (**Fig. 15**)

8. RELLENO DE LA LÍNEA DE CORTE

Para rellenar la línea de corte:

1. Desconecte la máquina de la corriente.
2. Extraiga el carrete vacío. (**Fig. 12 y 13**)
3. Corte una nueva línea de corte de menos de 8 m y dóblela por la mitad.
4. Enganche la mitad de la nueva línea de corte en la ranura que se encuentra en el centro del carrete entre los 2 canales proporcionados para la línea de corte. La flecha del carrete muestra la dirección de enrollado de la línea de corte. (**Fig. 16**)
5. Enrolle la línea de corte alrededor de la sección A (**10**) de forma ordenada. Asegúrese de enrollarlo apretado y plano para que la superficie de la línea enrollada no sea irregular. (**Fig. 17**)
6. Enrolle la totalidad de la línea de corte, excepto unos 100 mm, dejando los extremos temporalmente enganchados alrededor del soporte de la línea (**12**) del lateral del carrete. (**Fig. 18**)
7. De esta forma, enrolle la línea de corte en la sección B (**11**) y deje el extremo enganchado temporalmente. (**Fig. 17 y 19**)
8. Monte el carrete en la tapa de forma que la posición enganchada temporalmente de la línea de corte (**13**) coincida con las muescas (**14**) del lado de la tapa (**15**). (**Fig. 20**)
9. Desenganche los extremos de la línea de corte de su posición temporal y encájelos en las ranura del lateral de la tapa. (**Fig. 21**)



ADVERTENCIA: Asegúrese de que la tapa esté correctamente fijada en el soporte del carrete. Si la tapa no se fija correctamente, los componentes pueden salir despedidos y provocar graves lesiones personales.

10. Asegúrese de que el muelle esté en su lugar. Empuje la tapa (**15**) del soporte del carrete (**16**). Asegúrese de que los pestillos están totalmente extendidos en la tapa. (**Fig. 14, 15 y 22**)

11. Presione el botón del carrete (**18**) y extraiga un extremo de la línea de corte. Asegúrese de que la línea se haya extendido. (**Fig. 22 y 23**)
12. Finalmente tire del otro extremo de la línea sin presionar el botón del carrete. Asegúrese de que la línea se haya extendido.

9. DESPLIEGUE DE LA LÍNEA DE CORTE

Las líneas cortas o gastadas cortan menos eficientemente. Para mejorar su funcionamiento en posteriores ocasiones, golpee suavemente el botón del carrete contra el suelo cuando la desbrozadora esté funcionando a velocidad completa. De esta manera se desplegará la línea de corte adicional. La cuchilla de la línea de corte (**17**) debajo de la protección cortará automáticamente la línea de corte para corregir la longitud durante el funcionamiento. (**Fig. 22 y 24**)



NOTA: Golpear objetos duros o abrasivos, como vallas, hormigón y rocas ocultas por hierba alta puede provocar que la línea de corte se rompa. Si la línea de corte se rompe, siga el procedimiento de despliegue.

10. INSTRUCCIONES PARA EL USO

Ponga en marcha la desbrozadora antes de acercarse al pasto que desea cortar.

Corte el pasto moviendo la desbrozadora de derecha a izquierda y proceda lentamente, manteniendo la desbrozada inclinada unos 30°. El pasto alto debe cortarse en capas, siempre empezando por la parte superior. Los cortes deben ser cortos.

No corte pasto húmedo o mojado

No gaste la línea rápidamente golpeando contra objetos duros (piedra, paredes, vallas, etc.). Utilice el borde de la protección para mantener la desbrozadora en la distancia correcta.



ADVERTENCIA: No utilice una fuerza excesiva ni golpee el cabezal de alimentación por golpe de la desbrozadora en el suelo para extender la línea de corte. Si la línea de corte no se extiende tras golpear el cabezal de alimentación por golpe contra el suelo mientras la desbrozadora está funcionando, es posible que la línea de corte se haya enrollado o roto en el cartucho o que la línea de corte ya se haya agotado.

NOTA: Una fuerza excesiva o golpear el cabezal de alimentación por golpe contra el suelo para extender la línea de corte, dañará el cabezal de alimentación por golpe.



ADVERTENCIA: El cabezal de corte sigue girando tras apagar el motor durante unos segundos.

11. CABLES DE EXTENSIÓN

Solamente debe usar los cables de extensión para uso en exteriores, de PVC de carga normal o con cubierta de

goma, flexibles y de gran resistencia, con una sección transversal de no menos de 0,75 mm². Antes del uso, compruebe el suministro de energía y los cables de extensión en busca de signos de daños durante el uso, desconecte el cable si detecta indicios de daños o envejecimiento. Si el cable se daña durante el uso, desconéctelo de la toma de corriente inmediatamente. **NO TOQUE EL CABLE ANTES DE DESCONECTARLO DE LA TOMA DE CORRIENTE.** No use el aparato si el cable está dañado o gastado. Mantenga el cable de extensión alejado de los elementos de corte.



ADVERTENCIA: Asegúrese siempre de que las aberturas de ventilación estén libres de residuos.

12. MANTENIMIENTO

1. Tras su uso, desconecte la máquina de la corriente y compruebe si existen daños.
2. Cuando no la utilice, almacene la máquina lejos del alcance de los niños.
3. Las desbrozadoras con alimentación eléctrica solamente se deben reparar en un centro de servicio autorizado.
4. Solicite a un centro de servicio autorizado que realice cualquier reparación o ajuste que no se describa en este manual.
5. Utilice solamente accesorios y piezas de recambio recomendados por el fabricante.

13. DESECHO RESPETUOSO CON EL MEDIO AMBIENTE



De conformidad con la Directiva Europea 2002/96/CE sobre residuos de aparatos eléctricos y electrónicos y su aplicación de acuerdo con la legislación nacional, todas las herramientas eléctricas cuya vida útil haya llegado a su fin se deben recoger por

separado y se deben reciclar de forma respetuosa con el medio ambiente. Desecho alternativo: si el propietario de la herramienta eléctrica no la devuelve al fabricante, es responsable de su desecho en el punto de recolección designado que prepare el dispositivo para su reciclado de acuerdo con las leyes y normativas nacionales de reciclado.

Esto no incluye accesorios y herramientas sin componentes eléctricos o electrónicos.

Declaración de conformidad de la CE

Nosotros, Makita Corporation, en calidad de fabricante responsable, declaramos que las siguientes máquinas Makita:

Designación de la máquina: Desbrozadora

Nº de modelo/ Tipo: UR3000

Especificaciones: consulte la tabla "ESPECIFICACIONES".

son de producción serie y

Cumplen con las siguientes Directivas europeas:

2000/14/CE, 2004/108/CE, 2006/42/CE, 2006/95/CE

Y se han fabricado de acuerdo con el siguiente estándar o documento estandarizado:

EN55014, EN60335, EN61000, EN62233

La documentación técnica la conserva nuestro representante autorizado en Europa, que es:

Makita International Europe Ltd.

Michigan, Drive, Tongwell,

Milton Keynes, MK15 8JD, Inglaterra

El procedimiento de evaluación de conformidad requerido por la Directiva 2000/14/CE se realizó de acuerdo con el anexo VIII.

Organismo notificado:

TÜV SÜD Industrie Service GmbH

Westendstraße 199, D-80686 München

Número de identificación: 0036

Nivel de potencia sonora medido: 92,7 dB (A)

Nivel de potencia sonora garantizado: 96 dB (A)

17. 12. 2010

Tomoyasu Kato
Director

Makita Corporation
3-11-8, Sumiyoshi-cho,
Anjo, Aichi, JAPAN

PORTUGUÊS (Instruções de origem)

Obrigado por ter escolhido os nossos produtos. Estamos confiantes que a elevada qualidade da nossa máquina irá proporcionar-lhe satisfação, gratidão e um serviço duradouro.

Antes de começar a utilizar a máquina, certifique-se de que lê atentamente este manual, que foi concebido proposadamente para lhe fornecer todas as informações necessárias para uma utilização correcta, em conformidade com os requisitos de segurança básicos.



SÍMBOLOS

Alguns dos símbolos seguintes podem ser utilizados na sua ferramenta, estude-os e aprenda os seus significados, a interpretação adequada destes símbolos irá permitir utilizar a ferramenta com mais segurança e eficiência.

SÍMBOLOS	NOME	EXPLICAÇÃO
	Marca CE	O produto cumpre as exigências e regulamentações definidas pela Comunidade Europeia (agora União Europeia).
	Construção de classe II	Construção de isolamento duplo.
	MARCAÇÃO WEEE	ATENÇÃO! As ferramentas eléctricas inutilizáveis não pertencem no lixo doméstico. Têm de ser levadas para um ponto de recolha municipal para uma eliminação ecológica em conformidade com as regulamentações locais.
	Leia as instruções de utilizador	Para reduzir o risco de ferimentos, o utilizador tem de ler e compreender o manual de utilizador antes de utilizar este produto.
	Choques eléctricos!	Desligue a ficha da tomada se o cabo estiver danificado ou emaranhado.
	Não exponha a extensão à chuva	Não deixe a ferramenta exposta ao ar livre ou à chuva.
	Use protecção ocular	Para reduzir o risco para os olhos, use protecção ocular!
	Marcação do nível de ruído	O ruído da ferramenta não é superior a 96 dB.
	MANTENHA AS PESSOAS AFASTADAS!	MANTENHA TODOS OS ESPECTADORES AFASTADOS!

1. INSTRUÇÕES DE SEGURANÇA IMPORTANTES

A finalidade das regras de segurança é atrair a sua atenção para possíveis perigos. Os símbolos de segurança e as explicações neles, exigem a sua atenção e compreensão. Os avisos de segurança não eliminam quaisquer perigos. Utilize sempre equipamento de segurança adequado, como o resguardo, mesmo cumprindo as instruções e avisos de segurança.



SÍMBOLO DE ALERTA DE SEGURANÇA:
Indica cautela ou pode ser utilizado um aviso em conjunto com outros símbolos ou imagens.



AVISO: Familiarize-se com os controlos e a utilização adequada do equipamento.



AVISO: A desobediência dos avisos de segurança pode resultar em ferimentos graves para si e para outros. Cumpra sempre as precauções de segurança para reduzir o risco de incêndio, choques eléctricos e ferimentos pessoais. Guarde o manual do proprietário e consulte-o frequentemente para manter um funcionamento seguro e para instruir outros que possam utilizar esta ferramenta.



AVISO: Nunca utilize o aparador sem o resguardo instalado. O incumprimento deste aviso pode causar ferimentos pessoais graves.



AVISO: Esta máquina produz um campo electromagnético durante o funcionamento. Em certas circunstâncias, este campo pode interferir com implantes médicos activos ou passivos. Para reduzir o risco de ferimentos graves ou fatais, é aconselhável que as pessoas com implantes médicos consultem o seu médico e o fabricante do implante antes de utilizar esta máquina.



AVISO: O funcionamento de qualquer ferramenta pode resultar em objectos estranhos a serem projectados para os seus olhos, o que pode resultar na perda de visão ou ferimentos graves nos olhos. Antes de iniciar o funcionamento da ferramenta eléctrica, use sempre óculos de segurança ou óculos de protecção com protecções laterais e, quando necessário, protecção de rosto completa. É aconselhável utilizar uma máscara de segurança de visão ampla em vez de óculos ou óculos de protecção padrão com protecção lateral.

1. Este aparelho não se destina à utilização por pessoas (incluindo crianças) com capacidades físicas, sensoriais ou mentais reduzidas ou falta de experiência e conhecimento, a menos que tenham sido supervisionadas ou formadas, relativamente à utilização do aparelho, por uma pessoa responsável pela sua segurança.
2. As crianças devem ser supervisionadas para garantir que não brincam com o aparelho.
3. Leia atentamente as instruções.
4. Familiarize-se com os controlos e a utilização adequada do equipamento.
5. Antes da utilização, verifique o cabo de alimentação de extensão por sinais de danos ou desgaste.
6. Se o cabo se danificar durante a utilização, desligue imediatamente o cabo da alimentação. **NÃO TOQUE NO CABO ANTES DE DESLIGAR A ALIMENTAÇÃO.**
7. Não use o aparador de relva (aparador de sebes), se os cabos estiverem danificados ou gastos.
8. Aviso: Os elementos de corte continuam a rodar após o motor ser desligado.
9. Mantenha os cabos de extensão afastados dos elementos de corte.

2. IDENTIFICAÇÃO GERAL (Fig. 1)

- | | |
|-----------------------------------|---------------------------|
| 1. Botão de bloqueio de segurança | 6. Gatilho |
| 2. Pega auxiliar | 7. Tubo |
| 3. Manipulo de bloqueio | 8. Alojamento do motor |
| 4. Botão de ajuste | 9. Resguardo de segurança |
| 5. Pega principal | |

Acessórios:

- Correia
- Vidro de protecção ocular

10. Use óculo de protecção.
11. Nunca permita que crianças ou pessoas não familiarizadas com as instruções utilizem a máquina.
12. Pare de utilizar a máquina com pessoas, especialmente, crianças ou animais por perto.
13. Utilize apenas a máquina com luz natural ou com luz artificial boa.
14. Antes de utilizar a máquina e após qualquer impacto, verifique por sinais de desgaste ou danos e, se necessário, repare.
15. Nunca utilize a máquina com resguardos danificados ou sem os resguardos instalados.
16. Mantenha sempre as mãos e os pés afastados dos elementos de corte, especialmente ao ligar o motor.
17. Proteja-se contra ferimentos de qualquer dispositivo instalado para aparar o comprimento da linha filamento. Após alargar a linha do novo cortador, coloque sempre a máquina na posição de funcionamento normal antes de a ligar.
18. Nunca instale elementos de corte de metal.
19. Nunca use peças ou acessórios de substituição não fornecidos ou recomendados pelo fabricante.
20. Desligue a máquina da alimentação eléctrica antes de verificar, limpar ou efectuar trabalhos na mesma e quando não for utilizada.
21. Certifique-se sempre de que as aberturas de ventilações estão isentas de detritos.
22. Sempre que são usados pictogramas dos símbolos na marcação na máquina, as suas funções serão explicadas.
23. Desligue sempre o aparador da corrente quando o deixar sem supervisão.
24. Quando não utilizar a máquina, guarde-a fora do alcance das crianças.
25. Os aparadores alimentados electricamente só devem ser reparados por um centro de assistência autorizado.
26. Peça a um centro de assistência autorizado para qualquer reparação ou ajuste que não as reparações descritas neste manual.
27. Utilize apenas peças e acessórios de substituição recomendados pelo fabricante.



Devido à política de melhoramento contínuo dos produtos Makita, as funcionalidades e especificações dos produtos serão alteradas sem aviso prévio.

3. ESPECIFICAÇÕES

Modelo	UR3000
Tensão nominal:	230 - 240 V~
Frequência nominal:	50 - 60 Hz
Potência nominal:	450 W
Velocidade sem carga:	9.000 min ⁻¹
Largura de corte:	300 mm
Tamanho da linha:	Φ1,65 mm
Nível de pressão sonora na posição do operador:	75,1 dB (A) K=3 dB (A)
Nível de potência sonora garantido:	96 dB (A)
Vibração:	2,73 m/s ² K=1,5 m/s ²
Tamanho (C/L/A):	1.016 - 1.256 / 301 / 262 mm
Peso líquido:	2,6 kg


4. INSTRUÇÕES DE MONTAGEM


O aparador é fornecido com alguns componentes desmontados. Para os montar, proceda da seguinte forma:


4-1 Montagem do resguardo de segurança

Fixe o resguardo de segurança no alojamento do motor. (Fig. 2 e 3)

1. Instale o resguardo de segurança no alojamento do motor.
2. Rode o resguardo de segurança para a posição correcta.
3. Fixe o resguardo de segurança no alojamento do motor com um parafuso.

 **AVISO:** Proteja-se contra ferimentos da lâmina instalada no resguardo para aparar a linha ao comprimento. Após alargar a linha nova, coloque sempre o aparador na posição de funcionamento normal antes de o ligar.

 **AVISO:** Nunca instale elementos de corte de metal.

 **AVISO:** Nunca utilize o aparador sem o resguardo de segurança correctamente instalado. O incumprimento deste aviso pode causar ferimentos pessoais graves.

4-2 Montagem da pega auxiliar

1. Instale a pega auxiliar no suporte. (Fig. 4)
2. Introduza o parafuso nos orifícios do suporte da pega e da pega e aparafuse o botão de bloqueio no parafuso, mas não aparafuse ao máximo. (Fig. 5)
3. Coloque a cabeça da máquina no chão, de seguida, ajuste a pega auxiliar para a posição confortável através de outra pega, à sua medida: (Fig. 6)
 - 3a. Prima o botão de ajuste, ajuste o comprimento do tubo, conforme pretender.
 - 3b. Rode a pega auxiliar para um ângulo confortável, à sua medida.

4. Aparafuse o botão de bloqueio para fixar a pega auxiliar.

5. INÍCIO

Antes de ligar o aparador, fixe o cabo de extensão no orifício da pega auxiliar. (Fig. 7 e 8)

Segure bem o aparador e sem deixar que toque na relva a cortar, pressione o botão de bloqueio de segurança e o gatilho na pega superior.

Para desligar o aparador, solte o gatilho. (Fig. 9)



AVISO: Ligue o motor apenas quando as suas mãos e pés estiverem afastados dos elementos de corte.

6. UTILIZAÇÃO DO APARADOR COMO APARADOR DE EXTREMIDADES

Para aparar as extremidades de entradas e caminhos, altere o aparador do modo de aparar para o modo de aparar extremidades, da seguinte forma:

1. Segure o tubo do aparador com uma mão e prima o botão de rotação com a outra mão. (Fig. 10)
2. Rode o tubo 180° até bloquear no modo de aparar extremidades. (Fig. 11)



AVISO: Para evitar arranques acidentais que podem causar ferimentos pessoais graves, desligue sempre o cabo de alimentação antes de tentar rodar o veio.

7. SUBSTITUIÇÃO DO CARTUCHO DA LINHA DE CORTE

O aparador é fornecido com um cartucho de linha de corte totalmente descartável que supera o enrolamento problemático da linha de corte.

Para substituir um cartucho de linha de corte vazio, proceda da seguinte forma:

1. Prima ambos os trincos de libertação no suporte da bobina e remova-os da tampa (Fig. 12), retire a bobina vazia. (Fig. 13)
2. Retire a mola e a tampa da bobina vazia e instale a bobina nova, de seguida, introduza as duas linhas de corte da nova bobina através dos olhais da tampa. (Fig. 14)
3. Instale a nova bobina no suporte da bobina e, de seguida, pressione a tampa até bloquear na posição através do trinco de libertação. (Fig. 15)

8. REABASTECIMENTO DE LINHA DE CORTE

Para reabastecer a linha de corte:

1. Desligue a máquina da alimentação eléctrica.
2. Retire a bobina vazia. (Fig. 12 e 13)
3. Corte uma linha de corte nova com menos de 8 m e dobre-a no meio.
4. Engate o meio da nova linha de corte no entalhe situado no centro da bobina entre os 2 canais fornecidos para a linha de corte. A seta na bobina mostra o sentido de enrolamento da linha de corte. (Fig. 16)
5. Enrole a linha de corte em torno da secção A (10), de forma correcta. Certifique-se de que enrola bem a linha, de modo a que a superfície da linha enrolada não fique emaranhada. (Fig. 17)
6. Enrole tudo excepto cerca de 100 mm da linha de corte, deixando a extremidade temporariamente presa através de um suporte (12) de linha na parte lateral da bobina. (Fig. 18)
7. Desta forma, enrole igualmente a linha de corte na secção B (11) e deixe a extremidade temporariamente presa. (Fig. 17 e 19)
8. Monte a bobina na tampa de modo a que a posição temporariamente presa da linha de corte (13) corresponda aos entalhes (14) na parte lateral da tampa (15). (Fig. 20)
9. Desengate as extremidades da linha de corte da posição temporária e instale-as nos entalhes na parte lateral da tampa. (Fig. 21)



AVISO: Certifique-se de que a tampa está bem fixa no suporte da bobina. A má fixação da tampa pode fazer com que os componentes sejam projectados resultando em ferimentos pessoais graves.

10. Certifique-se de que a mola está em posição. Pressione a tampa (15) no suporte da bobina (16). Certifique-se de que os trincos estão totalmente espalhados na tampa. (Fig. 14, 15 e 22)
11. Prima o botão da bobina (18) e retire uma extremidade da linha de corte. Certifique-se de que a linha saiu. (Fig. 22 e 23)
12. Por fim, retire a outra extremidade da linha sem premir o botão da bobina. Certifique-se de que a linha saiu.

9. AVANÇO DA LINHA DE CORTE

As linhas curtas ou gastas cortam com menos eficiência. Para melhorar o seu funcionamento noutras ocasiões, bata suavemente com o botão da bobina no chão, enquanto o aparador está a funcionar à velocidade máxima. Isto irá avançar automaticamente a linha de corte extra. A lâmina da linha de corte (17) sob o resguardo irá aparar automaticamente a linha de corte ao comprimento correcto durante o funcionamento. (Fig. 22 e 24)



NOTA: Choques fortes ou objectos abrasivos, como cercas, betão e pedras escondidas pela relva alta podem fazer com que a linha de corte se parta. Se a linha de corte se partir, siga o procedimento de avanço.

10. INSTRUÇÕES DE UTILIZAÇÃO

Ligue o aparador antes de se aproximar da relva a cortar. Corte a relva deslocando o aparador da direita para a esquerda e avance lentamente, mantendo o aparador inclinado a cerca de 30°. A relva alta deve ser cortada em camadas, começando sempre por cima. Os cortes devem ser curtos.

Não corte relva húmida ou molhada.

Evita gastar rapidamente a linha, batendo contra objectos duros (pedras, paredes, cercas, etc.). Utilize a extremidade do resguardo de modo a manter o aparador à distância correcta.



AVISO: Não use força excessiva nem bata com a Cabeça de Choques do Aparador no chão para avançar a linha de aparar. Se a linha de aparar não avançar após bater com a cabeça de choques no chão enquanto o aparador está em funcionamento, a linha de corte pode estar presa ou partida dentro do cartucho ou a linha de corte pode estar esgotada.

NOTA: Força excessiva ou bater com a Cabeça de Choques do Aparador no chão para avançar a linha de corte, irá danificar a cabeça de choques.



AVISO: A cabeça de corte continua a rodar após o motor ser desligado durante alguns segundos.

11. CABOS DE EXTENSÃO

Só deve utilizar cabos de extensão para utilização exterior, trabalhos normais de PVC ou borracha blindada robusta com uma área de secção transversal superior a 0,75 mm².

Antes de utilizar, verifique o cabo de alimentação e de extensão por sinais de danos durante a utilização, desligue o cabo em caso de sinais de danos ou desgaste. Se o cabo se danificar durante a utilização, desligue imediatamente o cabo da alimentação. **NÃO TOQUE NO CABO ANTES DE DESLIGAR A ALIMENTAÇÃO.** Não utilize o aparelho se o cabo estiver danificado ou gasto. Mantenha o cabo de extensão afastado dos elementos de corte.



AVISO: Certifique-se sempre de que as aberturas de ventilações estão isentas de detritos.

Nível de potência sonora medida: 92,7 dB (A)
Nível de potência sonora garantida: 96 dB (A)

17. 12. 2010

Tomoyasu Kato
Director
Makita Corporation
3-11-8, Sumiyoshi-cho,
Anjo, Aichi, JAPAN

12. MANUTENÇÃO

1. Após a utilização, desligue a máquina da alimentação eléctrica e verifique por danos.
2. Quando não utilizar a máquina, guarde-a fora do alcance das crianças.
3. Os aparadores alimentados electricamente só devem ser reparados por um centro de assistência autorizado.
4. Peça a um centro de assistência autorizado para qualquer reparação de ajuste que não as reparações descritas neste manual.
5. Utilize apenas peças e acessórios de substituição recomendados pelo fabricante.

13. ELIMINAÇÃO ECOLÓGICA



De acordo com a directiva UE 2002/96/EC sobre equipamento eléctrico e electrónico e implementação na lei nacional, todas as ferramentas eléctricas têm de ser recolhidas separadamente e recicladas ecologicamente. Eliminação alternativa: Se o proprietário da

ferramenta eléctrica não devolver a ferramenta ao fabricante, ele é responsável pela eliminação adequada num ponto de recolha designado que prepara o dispositivo para reciclagem de acordo com as leis e regulamentações nacionais de reciclagem. Isto não inclui acessórios e ferramentas sem componentes eléctricos ou electrónicos.

Declaração de conformidade CE

A Makita Corporation, na qualidade do fabricante responsável, declara que a(s) máquina(s) Makita seguinte(s):

Designação da máquina: Aparador de Grama

N.º de modelo/Tipo: UR3000

Especificações: consulte a tabela "ESPECIFICAÇÕES".
são produzidas em série e

estão em conformidade com as Directivas Europeias seguintes:

2000/14/EC, 2004/108/EC, 2006/42/EC, 2006/95/EC

E são fabricadas de acordo com a norma ou o documento padronizado seguintes:

EN55014, EN60335, EN61000, EN62233

A documentação técnica é mantida pelo nosso representante autorizado na Europa, que é:

Makita International Europe Ltd.

Michigan Drive, Tongwell,

Milton Keynes, MK15 8JD, Inglaterra

O procedimento de avaliação da conformidade requisitado pela Directiva 2000/14/EC estava de acordo com o anexo VIII.

Corpo notificado:

TÜV SÜD Industrie Service GmbH

Westendstraße 199, D-80686 München

Número de identificação: 0036

ΕΛΛΗΝΙΚΑ (Πρωτογενείς οδηγίες)

Θέλουμε να σας ευχαριστήσουμε γιατί επιλέξατε τα προϊόντα μας. Είμαστε βέβαιοι ότι η υψηλή ποιότητα του μηχανήματός μας θα ικανοποιήσει τις απαιτήσεις σας και θα αποκτήσει την εκτίμησή σας, παρέχοντάς σας μακροχρόνιες υπηρεσίες.

Πριν αρχίσετε τη χρήση του μηχανήματός μας, φροντίστε να διαβάσετε με προσοχή αυτό το εγχειρίδιο, το οποίο δημιουργήθηκε για να σας παράσχει όλες τις απαραίτητες πληροφορίες για την κατάλληλη χρήση, σύμφωνα με τις βασικές απαιτήσεις ασφαλείας.



ΣΥΜΒΟΛΑ

Ορισμένα από τα παρακάτω σύμβολα μπορεί να χρησιμοποιούνται με το εργαλείο σας, παρακαλούμε μελετήστε τα και μάθετε τη σημασία τους, η κατάλληλη ερμηνεία αυτών των συμβόλων θα σας επιτρέψει να λειτουργήσετε το εργαλείο αποτελεσματικά και με περισσότερη ασφάλεια.

ΣΥΜΒΟΛΑ	ΟΝΟΜΑ	ΕΠΕΞΗΓΗΣΗ
	Επισήμανση CE	Το προϊόν ανταποκρίνεται στις απαιτήσεις και στους κανονισμούς που ορίστηκαν από την Ευρωπαϊκή Κοινότητα (σήμερα Ευρωπαϊκή Ένωση).
	Κατασκευή Κλάσης II	Κατασκευή με διπλή μόνωση.
	ΕΠΙΣΗΜΑΝΣΗ WEEE (Απόβλητα Ηλεκτρικού και Ηλεκτρολογικού Εξοπλισμού)	ΠΡΟΣΟΧΗ! Τα άχρηστα ηλεκτρικά εργαλεία δεν ανήκουν στα οικιακά απορρίμματα. Πρέπει να μεταφερθούν σε ένα κοινόχρηστο σημείο συλλογής για φιλική προς το περιβάλλον απόρριψη, σύμφωνα με τους τοπικούς κανονισμούς.
	Διαβάστε τις οδηγίες χρήστη	Για την ελάττωση του κινδύνου του τραυματισμού, ο χρήστης πρέπει να διαβάσει και να κατανοήσει το εγχειρίδιο οδηγιών του χρήστη πριν προβεί στη χρήση του προϊόντος.
	Ηλεκτροπληξία!	Αποσυνδέστε το φως από την πρίζα, εάν το καλώδιο έχει υποστεί ζημιά ή έχει εμπλακεί.
	Μην το εκθέσετε στη βροχή	Μην αφήσετε το εργαλείο εκτεθειμένο σε εξωτερικό χώρο ή στη βροχή.
	Φοράτε προστατευτικά ματιών	Για να ελαττώσετε τον κίνδυνο τραυματισμού των ματιών, φοράτε προστατευτικά ματιών!
	Ένδειξη επιπέδου θορύβου	Ο θόρυβος του εργαλείου σας δεν είναι μεγαλύτερος των 96 dB.
	ΚΡΑΤΗΣΤΕ ΟΛΟΥΣ ΤΟΥΣ ΠΑΡΕΥΡΙΣΚΟΜΕΝΟΥΣ ΜΑΚΡΙΑ!	ΚΡΑΤΗΣΤΕ ΟΛΟΥΣ ΤΟΥΣ ΠΑΡΕΥΡΙΣΚΟΜΕΝΟΥΣ ΜΑΚΡΙΑ!

1. ΣΗΜΑΝΤΙΚΕΣ ΟΔΗΓΙΕΣ ΑΣΦΑΛΕΙΑΣ

Ο σκοπός αυτών των κανόνων ασφαλείας είναι να σας επιστήσουν την προσοχή για τους πιθανούς κινδύνους. Πρέπει να δώσετε μεγάλη προσοχή και να κατανοήσετε τα σύμβολα ασφαλείας καθώς και τις επεξηγήσεις που παρέχονται με αυτά. Οι προειδοποιήσεις ασφαλείας δεν εξαλείφουν τον οποιοδήποτε κίνδυνο. Πάντοτε να χρησιμοποιείτε τον κατάλληλο εξοπλισμό ασφαλείας, όπως τον προφυλακτήρα, τρώνοντας ταυτόχρονα τις οδηγίες ασφαλείας και τις προειδοποιήσεις.



ΠΡΟΕΙΔΟΠΟΙΗΤΙΚΟ ΣΥΜΒΟΛΟ

ΑΣΦΑΛΕΙΑΣ: Υποδηλώνει προσοχή ή προειδοποίηση και μπορεί να χρησιμοποιηθεί σε συνδυασμό με άλλα σύμβολα ή εικόνες.



ΠΡΟΕΙΔΟΠΟΙΗΣΗ: Εξοικειωθείτε με τα χειριστήρια και την σωστή χρήση του εξοπλισμού.



ΠΡΟΕΙΔΟΠΟΙΗΣΗ: Η μη συμμόρφωση με τις οδηγίες ασφαλείας μπορεί να προκαλέσει το σοβαρό τραυματισμό του εαυτού σας ή των άλλων. Πάντοτε να ακολουθείτε τις προφυλάξεις ασφαλείας για να ελαττώσει

ο κίνδυνος πυρκαγιάς, ηλεκτροπληξίας και προσωπικού τραυματισμού. Φυλάξτε το εγχειρίδιο ιδιοκτήτη και διαβάστε το συχνά για τη συνεχιζόμενη ασφαλή λειτουργία και την καθοδήγηση άλλων που μπορούν να χρησιμοποιούν αυτό το εργαλείο.



ΠΡΟΕΙΔΟΠΟΙΗΣΗ: Ποτέ να μην χρησιμοποιήσετε το χλοοκοπτικό σας χωρίς να είναι κατάλληλα τοποθετημένος ο προφυλακτήρας. Αν δεν τηρήσετε αυτή την οδηγία μπορεί να προκληθεί σοβαρός προσωπικός τραυματισμός.



ΠΡΟΕΙΔΟΠΟΙΗΣΗ: Το μηχάνημα αυτό παράγει ένα ηλεκτρομαγνητικό πεδίο κατά τη λειτουργία. Το πεδίο αυτό, υπό ορισμένες συνθήκες, μπορεί να προκαλέσει παρεμβολή σε ενεργά ή παθητικά εμφυτεύματα. Για την μείωση του κινδύνου του σοβαρού ή του θανατηφόρου τραυματισμού, συνιστούμε στα άτομα με ιατρικά εμφυτεύματα να συμβουλευτούν τον ιατρό τους και τον κατασκευαστή του ιατρικού εμφυτεύματος πριν από τον χειρισμό αυτού του μηχανήματος.



ΠΡΟΕΙΔΟΠΟΙΗΣΗ: Η λειτουργία του κάθε εργαλείου μπορεί να οδηγήσει στον εκσφενδονισμό ξένων αντικείμενων προς τα μάτια σας, ο οποίος μπορεί να οδηγήσει στην απώλεια όρασης ή σε σοβαρό τραυματισμό των ματιών. Πριν αρχίσετε τη λειτουργία του ηλεκτρικού εργαλείου, να φοράτε πάντα προστατευτικά γυαλιά ή γυαλιά με πλάιντ προστατευτικό και ένα πλήρες προστατευτικό προσώπου όταν είναι απαραίτητο. Σας συνιστάμε να χρησιμοποιείτε μια Προσωπίδα Ασφαλείας Ευρείας Όρασης πάνω από τα γυαλιά ή από τα γυαλιά με πλάιντ προστατευτικό.

1. Αυτή η συσκευή δεν προορίζεται για χρήση από πρόσωπα (συμπεριλαμβανομένων των παιδιών) που παρουσιάζουν ελαττωμένες φυσικές, αισθητηρικές ή διανοητικές ικανότητες ή δεν διαθέτουν εμπειρία και γνώσεις, εκτός και αν τους παρασχεθεί εποπτεία ή οδηγίες σχετικά με τη χρήση της συσκευής από ένα πρόσωπο που είναι υπεύθυνο για την ασφάλειά τους.
2. Τα παιδιά θα πρέπει να εποπτεύονται ώστε να διασφαλιστεί ότι δεν παίζουν με τη συσκευή.
3. Διαβάστε προσεκτικά τις οδηγίες.
4. Εξοικειωθείτε με τα χειριστήρια και την σωστή χρήση του εξοπλισμού.
5. Πριν από τη χρήση, ελέγξτε το καλώδιο παροχής και το καλώδιο προέκτασης για ύπαρξη σημαδιών βλάβης ή φθοράς.
6. Εάν το καλώδιο καταστραφεί κατά την χρήση, αποσυνδέστε το αμέσως από την παροχή ρεύματος.
ΜΗΝ ΑΓΓΙΖΕΤΕ ΤΟ ΚΑΛΩΔΙΟ ΠΡΙΝ ΤΗΝ ΑΠΟΣΥΝΔΕΣΗ ΑΠΟ ΤΗΝ ΠΑΡΟΧΗ ΡΕΥΜΑΤΟΣ.
7. Μην χρησιμοποιήσετε το χλοοκοπτικό (κόπτης άκρων), εάν τα καλώδια έχουν υποστεί βλάβη ή φθορά.
8. Προειδοποίηση: Τα στοιχεία κοπής συνεχίζουν να περιστρέφονται μετά την απενεργοποίηση του κινητήρα.
9. Κρατήστε τα καλώδια προέκτασης μακριά από τα στοιχεία κοπής.
10. Φοράτε προστατευτικά γυαλιά ή γυαλιά ασφαλείας.

11. Ποτέ μην επιτρέψετε την χρήση του μηχανήματος από παιδιά ή από άτομα που δεν γνωρίζουν αυτές τις οδηγίες.
12. Σταματήστε να χρησιμοποιείτε το μηχάνημα όταν βρίσκονται κοντά άλλα άτομα, ιδιαίτερα παιδιά ή κατοικίδια ζώα.
13. Χρησιμοποιήστε το μηχάνημα μόνο κατά τη διάρκεια της ημέρας ή όταν υπάρχει επαρκής τεχνητός φωτισμός.
14. Πριν τη χρήση του μηχανήματος μετά από οποιοδήποτε κτύπημα, ελέγξτε για την ύπαρξη σημαδιών φθοράς, ή βλάβης και επισκευάστε αν είναι απαραίτητο.
15. Ποτέ μη λειτουργείτε το μηχάνημα με προφυλακτήρες που έχουν φθαρεί ή αφαιρεθεί.
16. Κρατάτε πάντοτε τα χέρια και τα πόδια σας μακριά από τα μέσα κοπής και ιδιαίτερα κατά την ενεργοποίηση του κινητήρα.
17. Δώστε προσοχή για την αποφυγή τραυματισμού από την οποιαδήποτε συσκευή που τοποθετείται για το κόψιμο κατά μήκος της μεσινέζας. Μετά την επέκταση μιας νέας μεσινέζας κοπής, πάντα να επιστρέψετε το μηχάνημα στην κανονική θέση λειτουργίας του πριν από την ενεργοποίηση.
18. Ποτέ μην τοποθετείτε μεταλλικά κοπτικά εργαλεία.
19. Ποτέ μην χρησιμοποιείτε ανταλλακτικά ή εξαρτήματα που δεν παρέχονται ή συνιστώνται από τον κατασκευαστή.
20. Αποσυνδέστε το μηχάνημα από την πρίζα πριν από τον έλεγχο, καθαρισμό ή εργαλεία πάνω στο μηχάνημα και όταν δεν βρίσκεται σε χρήση.
21. Πάντοτε να διασφαλίζετε ότι οι σπές εξαερισμού δεν είναι μπλοκαρισμένες από θραύσματα.
22. Όπου χρησιμοποιούνται σύμβολα εικονογραμμάτων για τη σήμανση πάνω στο μηχάνημα θα πρέπει να εξηγηθεί η λειτουργία τους.
23. Πάντοτε να αποσυνδέετε το χλοοκοπτικό από την πρίζα όταν το αφήνετε χωρίς επίβλεψη.
24. Όταν δεν βρίσκεται σε χρήση αποθηκεύετε το μηχάνημα σε χώρο στον οποίο δεν έχουν πρόσβαση τα παιδιά.
25. Τα χλοοκοπτικά που τροφοδοτούνται από την κεντρική παροχή ρεύματος θα πρέπει να επισκευάζονται από εξουσιοδοτημένο κέντρο επισκευών.
26. Ζητήστε από ένα εξουσιοδοτημένο κέντρο εξυπηρέτησης για οποιαδήποτε επισκευή ή ρύθμιση πέραν αυτών που περιγράφονται στο παρόν εγχειρίδιο.
27. Χρησιμοποιήστε μόνο τα συνιστώμενα από τον κατασκευαστή ανταλλακτικά και αξεσουάρ.



Λόγω της πολιτικής της Makita για τη συνεχή βελτίωση των προϊόντων, τα χαρακτηριστικά του προϊόντος και οι προδιαγραφές θα αλλάξουν χωρίς προειδοποίηση.

2. ΓΕΝΙΚΗ ΑΝΑΓΝΩΡΙΣΗ ΕΞΑΡΤΗΜΑΤΩΝ (Εικ. 1)

- | | | |
|---------------------------------|----------------------------|-------------------------------|
| 1. Κουμπί ασφάλειας κλειδώματος | 6. Σκανδάλη διακόπτης | Παρελκόμενα: |
| 2. Βοηθητικό χερούλι | 7. Σωλήνας | • Ζώνη |
| 3. Κουμπί ασφάλισης | 8. Κιβώτιο κινητήρα | • Προστατευτικά γυαλιά ματιών |
| 4. Κουμπί ρύθμισης | 9. Προφυλακτήρας ασφαλείας | |
| 5. Κύριο χερούλι | | |

3. ΠΡΟΔΙΑΓΡΑΦΕΣ

Μοντέλο	UR3000
Όνομαστική τιμή τάσης:	230 - 240 V~
Όνομαστική συχνότητα:	50 - 60 Hz
Όνομαστική ισχύς:	450 W
Ταχύτητα χωρίς φορτίο:	9.000 min ⁻¹
Πλάτος κοπής:	300 mm
Μέγεθος μεσινέζας:	1,65 mm
Στάθμη ηχητικής πίεσης στη θέση του χειριστή:	75,1 dB (A) K=3 dB (A)
Εγγυημένο επίπεδο ηχητικής ισχύος:	96 dB (A)
Δόνηση:	2,73 m/s ² K=1,5 m/s ²
Μέγεθος (Μ/ Π/ Υ):	1.016 - 1.256 / 301 / 262 mm
Καθαρό βάρος:	2,6 kg

4. ΟΔΗΓΙΕΣ ΣΥΝΑΡΜΟΛΟΓΗΣΗΣ

Το χλοοκοπτικό παρέχεται με ορισμένα εξαρτήματα που δεν είναι συναρμολογημένα. Για να τα συναρμολογήσετε προχωρήστε όπως περιγράφεται στη συνέχεια:

4-1 Συναρμολόγηση προφυλακτήρα ασφαλείας

Στερεώστε τον προφυλακτήρα ασφαλείας πάνω στο κιβώτιο του κινητήρα. **(Εικ. 2 και 3)**

1. Τοποθετήστε τον προφυλακτήρα ασφαλείας πάνω στο κιβώτιο του κινητήρα.
2. Περιστρέψτε τον προφυλακτήρα ασφαλείας στη σωστή θέση.
3. Στερεώστε τον προφυλακτήρα ασφαλείας πάνω στο κιβώτιο του κινητήρα με μια βίδα.



ΠΡΟΕΙΔΟΠΟΙΗΣΗ: Δώστε προσοχή στον κίνδυνο τραυματισμού από την λάμα που είναι στερεωμένη στον προφυλακτήρα και χρησιμοποιείται για την κοπή της μεσινέζας στο κατάλληλο μήκος. Μετά την επέκταση μιας νέας μεσινέζας, πάντα να επιστρέψετε το χλοοκοπτικό στην κανονική θέση λειτουργίας του πριν από την ενεργοποίηση.



ΠΡΟΕΙΔΟΠΟΙΗΣΗ: Ποτέ μην τοποθετείτε μεταλλικά κοπτικά εργαλεία.



ΠΡΟΕΙΔΟΠΟΙΗΣΗ: Ποτέ να μην το χρησιμοποιήσετε χωρίς να είναι κατάλληλα τοποθετημένος ο προφυλακτήρας. Αν δεν τηρήσετε αυτή την οδηγία μπορεί να προκληθεί σοβαρός προσωπικός τραυματισμός.

4-2 Συναρμολόγηση βοηθητικού χερουλιού

1. Στερεώστε το βοηθητικό χερούλι στο στήριγμα. **(Εικ. 4)**
2. Εισάγετε το μπουλόνι στο χερούλι και μέσα από τις τρύπες του στηρίγματος του χερουλιού και βιδώστε το κουμπί ασφάλισης πάνω στο μπουλόνι, αλλά μην το βιδώσετε μέχρι τέρμα. **(Εικ. 5)**
3. Τοποθετήστε στο έδαφος την κεφαλή του εργαλείου και προσαρμόστε το βοηθητικό χερούλι σε μια βολική θέση για σας, ανάλογα με το άλλο χερούλι: **(Εικ. 6)**
 - 3a. Πατήστε το κουμπί ρύθμισης, προσαρμόστε το μήκος του σωλήνα στο επιθυμητό μήκος.
 - 3b. Περιστρέψτε το βοηθητικό χερούλι σε μια επιθυμητή βολική γωνία.
4. Βιδώστε το κουμπί ασφάλισης για να στερεώσετε το βοηθητικό χερούλι.

5. ΞΕΚΙΝΗΜΑ

Πριν από την εκκίνηση του χλοοκοπτικού, στερεώστε το καλωδίο προέκτασης μέσα στην τρύπα του κύριου χερουλιού. **(Εικ. 7 και 8)**

Πιάστε γερά το χλοοκοπτικό χωρίς να το αφήσετε να έρθει σε επαφή με το χόρτο που πρόκειται να κοπεί, πατήστε το κουμπί ασφαλείας και τη σκανδάλη διακόπτη στην πάνω λαβή.

Για να ενεργοποιήσετε το χλοοκοπτικό, αφήστε την σκανδάλη διακόπτη. **(Εικ. 9)**



ΠΡΟΕΙΔΟΠΟΙΗΣΗ: Ενεργοποιήστε τον κινητήρα μόνο όταν τα χέρια και τα πόδια σας βρίσκονται μακριά από τα κοπτικά εξαρτήματα.

6. ΧΡΗΣΗ ΤΟΥ ΧΛΟΟΚΟΠΤΙΚΟΥ ΩΣ ΚΟΠΗ ΑΚΡΩΝ

Για την κοπή άκρων σε δρόμους και μονοπάτια, αλλάζετε τη λειτουργία του χλοοκοπτικού από αυτή της κοπής χόρτου σε αυτή της κοπής άκρων ως εξής:

1. Κρατήστε το σωλήνα του χλοοκοπτικού με το ένα χέρι και πατήστε το κουμπί περιστροφής με το άλλο. (Εικ. 10)
2. Περιστρέψτε το σωλήνα κατά 180° έως ότου ασφαλίσει στη θέση λειτουργίας κοπής άκρων. (Εικ. 11)



ΠΡΟΕΙΔΟΠΟΙΗΣΗ: Για να αποφευχθεί η ακούσια εκκίνηση που μπορεί να προκαλέσει σοβαρό προσωπικό τραυματισμό, πάντα να αποσυνδέετε το καλώδιο ρεύματος πριν επιχειρήσετε να περιστρέψετε τον άξονα.

7. ΑΝΤΙΚΑΤΑΣΤΑΣΗ ΤΗΣ ΚΑΣΕΤΑΣ ΤΗΣ ΜΕΣΙΝΕΖΑΣ ΚΟΠΗΣ

Το χλοοκοπτικό σας παρέχεται με μια πλήρως αντικαταστάσιμη κασέτα μεσινέζας κοπής που παρακάμπτει την προβληματική ανατύλιξη της μεσινέζας κοπής.

Για να αντικαταστήσετε μια άδεια κασέτα της μεσινέζας κοπής εκτελέστε τα παρακάτω:

1. Πιέστε και τα δυο μέρη του μανδάλου απελευθέρωσης στην υποδοχή του καρουλιού και τραβήξτε έξω το καπάκι (Εικ. 12), βγάλτε έξω και αφαιρέστε το κενό καρούλι. (Εικ. 13)
2. Βάλτε το ελατήριο και το καπάκι από το άδειο καρούλι και τοποθετήστε τα στο νέο καρούλι και στη συνέχεια, περάστε τα δυο άκρα της μεσινέζας κοπής του νέου καρουλιού μέσα στις τρύπες του καπακιού. (Εικ. 14)
3. Βάλτε το νέο καρούλι μέσα στην υποδοχή του καρουλιού και στη συνέχεια, πιέστε το καπάκι προς τα κάτω μέχρι να ασφαλίσει στη θέση του από το μάνδαλο απελευθέρωσης. (Εικ. 15)

8. ΑΝΑΠΛΗΡΩΣΗ ΤΗΣ ΜΕΣΙΝΕΖΑΣ ΚΟΠΗΣ

Για την αναπλήρωση της μεσινέζας κοπής:

1. Αποσυνδέστε το μηχάνημα από την παροχή ρεύματος.
2. Αφαιρέστε το άδειο καρούλι. (Εικ. 12 και 13)
3. Κόψτε την καινούργια μεσινέζας κοπής κατά ένα μήκος μικρότερο από τα 8 μέτρα και διπλώστε τη στη μέση.
4. Αγκιστρώστε το κέντρο της καινούργιας μεσινέζας στην εγκοπή στο κέντρο του καρουλιού ανάμεσα στα 2 κανάλια που παρέχονται για τη μεσινέζα κοπής. Το βέλος πάνω στο καρούλι δείχνει την διεύθυνση τυλίγματος της μεσινέζας κοπής. (Εικ. 16)
5. Τυλίξτε ομοιόμορφα τη μεσινέζα κοπής γύρω από το τμήμα Α (10). Φροντίστε ώστε να είναι τυλιγμένη σφικτά και επίπεδα έτσι ώστε η επιφάνεια της τυλιγμένης μεσινέζας να μην είναι ανώμαλη. (Εικ. 17)
6. Τυλίξτε γύρω όλη τη μεσινέζα εκτός από ένα μήκος 100 mm, αφήνοντας προσωρινά τα αγκιστρωμένα

άκρα μέσα στην εγκοπή της μεσινέζας (12) στο πλάι του καρουλιού. (Εικ. 18)

7. Με το τρόπο αυτό, τυλίξτε επίσης τη μεσινέζα κοπής στο τμήμα Β (11) και αφήστε την άκρη προσωρινά αγκιστρωμένη. (Εικ. 17 και 19)
8. Στερεώστε το καρούλι πάνω στο καπάκι έτσι ώστε η προσωρινά αγκιστρωμένη θέση της μεσινέζας κοπής (13) να ταιριάζει με τις εγκοπές (14) στην πλευρά του καπακιού (15). (Εικ. 20)
9. Απαγκιστρώστε τα άκρα της μεσινέζας κοπής από την προσωρινή τους θέση και ταιριάστε τα μέσα στις υποδοχές στην πλευρά του καπακιού. (Εικ. 21)



ΠΡΟΕΙΔΟΠΟΙΗΣΗ: Βεβαιωθείτε ότι το καπάκι είναι ασφαλισμένο κατάλληλα πάνω στην υποδοχή του καρουλιού. Αν δεν ασφαλίσετε κατάλληλα το καπάκι, μπορεί να προκληθεί η εκτόξευση των εξαρτημάτων προκαλώντας το σοβαρό προσωπικό τραυματισμό.

10. Βεβαιωθείτε ότι το ελατήριο βρίσκεται στη θέση του. Πιέστε το καπάκι (15) πάνω στην υποδοχή του καρουλιού (16). Φροντίστε ώστε τα μάνταλα να εκκινούνται πλήρως πάνω στο καπάκι. (Εικ. 14, 15 και 22)
11. Πιέστε το κουμπί του καρουλιού (18) και τραβήξτε έξω την μια άκρη της μεσινέζας κοπής. Βεβαιωθείτε ότι η μεσινέζα έχει τροφοδοτηθεί προς τα έξω. (Εικ. 22 και 23)
12. Στο τέλος, τραβήξτε έξω το άλλο άκρο της μεσινέζας χωρίς να πιέσετε το κουμπί του καρουλιού. Βεβαιωθείτε ότι η μεσινέζα έχει τροφοδοτηθεί προς τα έξω.

9. ΤΡΟΦΟΔΟΣΙΑ ΤΗΣ ΜΕΣΙΝΕΖΑΣ ΚΟΠΗΣ

Οι κοντές ή οι φθαρμένες μεσινέζες κόβουν λιγότερο αποτελεσματικά. Για να βελτιώσετε τη λειτουργία σε επακόλουθες περιπτώσεις, κτυπήστε ελαφρά στο έδαφος το κουμπί του καρουλιού καθώς το χλοοκοπτικό λειτουργεί στην πλήρη του ταχύτητα. Η ενέργεια αυτή θα τροφοδοτήσει αυτόματα επιπλέον μεσινέζα κοπής. Η λάμα της μεσινέζας (17) κοπής κάτω από τον προφυλακτήρα θα κόψει αυτόματα την μεσινέζα κοπής στο σωστό μήκος κατά τη λειτουργία. (Εικ. 22 και 24)




ΣΗΜΕΙΩΣΗ: Το χτύπημα σκληρών ή ανώμαλων αντικειμένων όπως φράχτες, τοιμήτο και βράχια που είναι κρυμμένα μέσα σε μακριά χόρτα μπορεί να προκαλέσει το σπάσιμο της μεσινέζας κοπής. Αν σπάσει η μεσινέζα κοπής, ακολουθήστε τη διαδικασία τροφοδότησης.

10. ΟΔΗΓΙΕΣ ΧΡΗΣΗΣ


Εκκινήστε το χλοοκοπτικό πριν φτάσετε κοντά στο γρασίδι που πρόκειται να κοπεί.

Κόψτε το γρασίδι μετακινώντας το χλοοκοπτικό από δεξιά προς τα αριστερά και προχωρήστε αργά, κρατώντας το χλοοκοπτικό υπό γωνία 30°. Τα υψηλά χόρτα θα πρέπει να κόβονται κατά ζώνες, πάντοτε ξεκινώντας από την κορυφή. Τα κοψίματα πρέπει να είναι σύντομα.

Μην κόβετε υγρό ή νοτισμένο γρασιδί.
Αποφύγετε την πρόκληση γρήγορης φθοράς της μεσινέζας χτυπώντας την πάνω σε σκληρά αντικείμενα (πέτρα, τοίχο, φράκτες κτλ.) Χρησιμοποιήστε το άκρο του προφυλακτιέρα για να κρατάτε το χλοοκοπτικό στη σωστή απόσταση.


 **ΠΡΟΕΙΔΟΠΟΙΗΣΗ:** Μην χρησιμοποιήσετε υπερβολική δύναμη για να χτυπήσετε την Κεφαλή Πρόσκρουσης του Χλοοκοπτικού στο έδαφος για να τροφοδοτήσετε την μεσινέζα κοπής. Εάν η μεσινέζα κοπής δεν τροφοδοτείται μετά από το κτύπημα της κεφαλής πρόσκρουσης στο έδαφος καθώς λειτουργεί το χλοοκοπτικό, η μεσινέζα κοπής μπορεί να έχει μπερδευτεί ή να έχει σπάσει μέσα στη κασέτα ή μπορεί να έχει ήδη χρησιμοποιηθεί ολόκληρη.

ΣΗΜΕΙΩΣΗ: Η υπερβολική δύναμη ή το χτύπημα της Κεφαλής Πρόσκρουσης του Χλοοκοπτικού στο έδαφος για την τροφοδοσία της μεσινέζας κοπής θα προκαλέσει φθορά στην κεφαλή πρόσκρουσης.

 **ΠΡΟΕΙΔΟΠΟΙΗΣΗ:** Η κεφαλή κοπής συνεχίζει να περιστρέφεται για μερικά δευτερόλεπτα μετά την απενεργοποίηση του κινητήρα.

11. ΚΑΛΩΔΙΑ ΠΡΟΕΚΤΑΣΗΣ

Θα πρέπει να χρησιμοποιείτε τα καλώδια προέκτασης μόνο για την εξωτερική χρήση, PVC για συνηθισμένη χρήση ή εύκαμπτα με ελαστική θωράκιση βαριάς χρήσης, με εγκάρσια επιφάνεια όχι μικρότερη από τα 0,75 mm². Πριν από τη χρήση, ελέγξτε το καλώδιο παροχής ρεύματος και το καλώδιο προέκτασης για την ύπαρξη σημαδιών φθοράς κατά την χρήση, απουσιάζετε το καλώδιο εάν υπάρχουν σημάδια φθοράς ή παλαιότητας. Εάν το καλώδιο καταστραφεί κατά την χρήση, απουσιάζετε το αμέσως από την παροχή ρεύματος. **ΜΗΝ ΑΓΓΙΞΕΤΕ ΤΟ ΚΑΛΩΔΙΟ ΠΡΙΝ ΤΗΝ ΑΠΟΣΥΝΔΕΣΗ ΑΠΟ ΤΗΝ ΠΑΡΟΧΗ ΡΕΥΜΑΤΟΣ.** Μην χρησιμοποιήσετε τη συσκευή εάν το καλώδιο είναι φθαρμένο ή κατεστραμμένο. Κρατήστε το καλώδιο προέκτασης μακριά από το στοιχείο κοπής.

 **ΠΡΟΕΙΔΟΠΟΙΗΣΗ:** Πάντοτε να διασφαλίζετε ότι οι σπές εξερισμού δεν είναι μπλοκαρισμένες από θραύσματα.

12. ΣΥΝΤΗΡΗΣΗ

- Μετά τη χρήση, απουσιάζετε το μηχάνημα από την πρίζα και ελέγξτε για ύπαρξη τυχόν φθορών.
- Όταν δεν βρίσκεται σε χρήση αποθηκεύετε το μηχάνημα σε χώρο στον οποίο δεν έχουν πρόσβαση τα παιδιά.
- Τα χλοοκοπτικά που τροφοδοτούνται από κεντρική παροχή ρεύματος θα πρέπει να επισκευάζονται από εξουσιοδοτημένο κέντρο επισκευών.
- Ζητήστε από ένα εξουσιοδοτημένο κέντρο εξυπηρέτησης για οποιαδήποτε επισκευή ή ρύθμιση πέραν αυτών που περιγράφονται στο παρόν εγχειρίδιο.

- Χρησιμοποιήστε μόνο τα συνιστώμενα από τον κατασκευαστή ανταλλακτικά και αξεσουάρ.

13. ΑΠΟΡΡΙΨΗ ΦΙΛΙΚΗ ΠΡΟΣ ΤΟ ΠΕΡΙΒΑΛΛΟΝ



Σύμφωνα με την οδηγία της Ευρωπαϊκής Ένωσης 2002/96/ΕΚ που αφορά τις ηλεκτρικές και τις ηλεκτρονικές συσκευές και την εφαρμογή της στην εθνική νομοθεσία, όλα τα ηλεκτρικά εργαλεία πρέπει να συλλέγονται ξεχωριστά και να ανακυκλώνονται με τρόπο φιλικό προς το περιβάλλον. Εναλλακτική απόρριψη: Εάν ο ιδιοκτήτης του ηλεκτρικού εργαλείου δεν επιστρέψει το εργαλείο στον κατασκευαστή, είναι υπεύθυνος για την ορθή διάθεση σε ένα καθορισμένο σημείο συλλογής που θα προετοιμάσει το σύστημα για την ανακύκλωση σύμφωνα με τους εθνικούς νόμους και κανονισμούς ανακύκλωσης.

Η εναλλακτική απόρριψη δεν περιλαμβάνει αξεσουάρ και εργαλεία χωρίς ηλεκτρικά ή ηλεκτρονικά εξαρτήματα.

ΕΚ – Δήλωση συμμόρφωσης
Η Εταιρία Makita ως υπεύθυνος κατασκευαστής, δηλώνει ότι το παρακάτω μηχάνημα ή μηχανήματα της Makita:

Όνομασία Μηχανήματος: Χλοοκοπτικό

Αρ. Μοντέλου/ Τύπος: UR3000

Προδιαγραφές: δείτε τον πίνακα "ΠΡΟΔΙΑΓΡΑΦΕΣ".

αποτελεί παραγωγή σε σειρά και

Συμμορφώνεται με τις ακόλουθες Ευρωπαϊκές Οδηγίες:

2000/14/ΕΚ, 2004/108/ΕΚ, 2006/42/ΕΚ, 2006/95/ΕΚ
Και κατασκευάζεται σύμφωνα με το παρακάτω πρότυπο ή τυποποιημένο έγγραφο:

EN55014, EN60335, EN61000, EN62233

Ο εξουσιοδοτημένος μας αντιπρόσωπος στην Ευρώπη διατηρεί τα τεχνικά έγγραφα, ο οποίος είναι:

Makita International Europe Ltd.

Michigan Drive, Tongwell,

Milton Keynes, MK15 8JD, England

Η διαδικασία εκτίμησης συμμόρφωσης που απαιτείται από την Οδηγία 2000/14/ΕΚ εκτελέστηκε σύμφωνα με το Παράρτημα VIII.

Κοινοποιημένος Οργανισμός:

TÜV SÜD Industrie Service GmbH

Westendstraße 199, D-80686 München

Αριθμός αναγνώρισης: 0036

Μετρημένο Επίπεδο Ηχητικής Ισχύος: 92,7 dB (A)

Εγγυημένο Επίπεδο Ηχητικής Ισχύος: 96 dB (A)

17. 12. 2010

Tomoyasu Kato
Διευθυντής
Makita Corporation
3-11-8, Sumiyoshi-cho,
Anjo, Aichi, JAPAN

TÜRKÇE (Orijinal talimatlar)

Ürünlerimizi tercih ettiğiniz için teşekkür ederiz. Yüksek kaliteli makinemizin ihtiyaçlarınızı ve beklentilerinizi fazlasıyla karşılayacağından ve size uzun bir süre hizmet vereceğimize eminiz.

Makinenizi kullanmaya başlamadan önce, makinenin temel güvenlik gereksinimlerine uygun olarak ve doğru şekilde kullanımı için gerekli tüm bilgilerin sunulması için hazırlanmış bu kılavuzu dikkatli bir şekilde okuduğunuzdan emin olun.



SİMGELER

Makinenizde aşağıdaki simgelerden bazıları kullanılmış olabilir, bu nedenle lütfen bu simgeleri gözden geçirin ve ne anlama geldiklerini öğrenin. Simgelerin doğru anlaşılması, makineyi daha güvenli ve verimli kullanmanızı sağlayacaktır.

SİMGELER	ADI	AÇIKLAMASI
	CE işareti	Ürün, Avrupa Topluluğu (artık Avrupa Birliği) tarafından belirlenen talepleri ve yönetmelikleri karşılamaktadır.
	Sınıf II Yapı	Ürün, çift yalıtımlı bir yapıya sahiptir.
	WEEE İŞARETİ	DİKKAT! Kullanılmayan elektrikli aletler, normal ev çöpüyle birlikte atılmamalıdır. Yürürlükteki yönetmeliklere uygun olarak, çevreye uyumlu bir şekilde bertaraf edilmesi için ortak bir toplama merkezine götürülmelidir.
	Kullanım kılavuzunu okuyun.	Yaralanma riskinin azaltılması için, kullanıcının mutlaka bu ürünü kullanmaya başlamadan önce kullanım kılavuzunu okuması ve anlaması gerekmektedir.
	Elektrik Çarpması!	Kablo hasar görmüş veya dolaşmışsa, fişini prizden çekin.
	Yağmura maruz kalmasına izin vermeyin.	Makineyi dışarıda veya yağmur altında bırakmayın.
	Koruyucu gözlük kullanın	Gözlerinizin yaralanma riskini düşürmek için, koruyucu gözlük kullanın!
	Gürültü düzeyi işareti	Makinenizin gürültü düzeyi 96 dB'nin altındadır.
	İŞİ OLMAYAN KİŞİLERİ ÇALIŞMA ALANINDAN UZAK TUTUN!	ETRAFTAKİ HERKESİ UZAKLAŞTIRIN!

1. ÖNEMLİ GÜVENLİK TALİMATLARI

Güvenlik kurallarının amacı, dikkatinizi olası tehlikelere çekmektir. Güvenlik simgelerine ve bunlarla birlikte verilen açıklamalara dikkat etmeniz ve bunları anlamamanız oldukça önemlidir. Ancak, güvenlik uyarıları tek başlarına herhangi bir tehlikeyi ortadan kaldırmaz. Güvenlik talimatlarını ve uyarılarını dikkate almanın yanı sıra, muhafazalar vs. gibi gerekli güvenlik ekipmanlarını da kullanmayı ihmal etmeyin.



GÜVENLİK UYARISI SİMGESİ: Diğer simgeler veya şekiller ile birlikte kullanılabilir dikkat veya uyarı mesajlarını belirtir.



UYARI: Makinenin kontrolleri ve güvenli kullanımı hakkında bilgi sahibi olun.



UYARI: Güvenlik uyarılarına uyulmaması yaralanmanıza veya başkalarının ciddi şekilde yaralanmasına yol açabilir. Yangın, elektrik çarpması ve yaralanma gibi riskleri azaltmak için güvenlik önlemlerini mutlaka dikkate alın. Güvenli çalıştırmaya devam etmek ve bu makineyi kullanacak diğer kişilere öğretmek için bu kullanım kılavuzunu saklayın ve sıkça gözden geçirin.



UYARI: Mısıralı yan trıpanınızı kesinlikle muhafazasını doğru şekilde takmadan kullanmayın. Bu

uyarının dikkate alınmaması, ciddi yaralanmalara yol açabilir.



UYARI: Bu makine, çalışma sırasında bir elektromanyetik alan meydana getirir. Bu alan da bazı koşullarda aktif veya pasif tıbbi implantlara etki edebilmektedir. Ciddi yaralanma ve ölüm riskini azaltmak için, tıbbi implantları olan kişilerin bu makineyi çalıştırmadan önce doktorlarına ve tıbbi implant üreticilerine danışmalarını öneriyoruz.



UYARI: Makinenin çalıştırılması sırasında, gözlerinize yabancı maddeler sıçrayabilir ve neticesinde görüşünüz kaybolabilir veya gözleriniz ciddi şekilde yaralanabilir. Elektrikli aleti çalıştırmaya başlamadan önce, mutlaka koruyucu gözlük veya kenarı siperli koruyucu gözlük kullanın ve gerektiğinde tam yüz maskesi takın. Koruyucu gözlüğün veya kenarı siperli koruyucu gözlüğün üzerine Geniş Görüş Açılı Güvenlik Maskesi takmanızı tavsiye ederiz.

1. Bu makine, makinenin güvenliğinden sorumlu personelin makinenin kullanımına ilişkin kontrol veya talimatları olmadan fiziksel, algısal veya zihinsel problemleri olan ve yeterli deneyime ve bilgiye sahip olmayan kişiler (çocuklar dahil) tarafından kullanılmamalıdır.
2. Çocuklar, bu makine ile oynamamaları gerektiği konusunda uyarılmalıdır.
3. Talimatları dikkatli bir şekilde okuyun.
4. Makinenin kontrolleri ve güvenli kullanımı hakkında bilgi sahibi olun.
5. Kullanmaya başlamadan önce, ana elektrik ve uzatma kablolarında herhangi bir hasar veya yıpranma belirtisi olup olmadığını kontrol edin.
6. Kablonun kullanım sırasında hasar görmesi halinde, kablunun derhal güç kaynağıyla bağlantısını kesin. GÜÇ KAYNAĞI İLE BAĞLANTISINI KESMEDEN ÖNCE KABLOYA KESİNLİKLE DOKUNMAYIN.
7. Kabloları hasar görmüş veya aşınmışsa çim tırpanını (kenar tırpanını) kullanmayın.
8. Uyarı: Motor kapatıldıktan sonra kesici parçalar bir süre daha dönmeye devam eder.
9. Uzatma kablolarını kesici parçalardan uzak tutun.

10. Koruyucu gözlük takın.

11. Çocukların veya bu talimatları bilmeyen kişilerin bu makineyi kullanmasına izin vermeyin.
12. Etrafta insanlar, özellikle de çocuklar veya evcil hayvanlar varken makineyi çalıştırmayın.
13. Makineyi yalnızca gün ışığında veya iyi bir aydınlatma altında kullanın.
14. Makineyi kullanmaya başlamadan önce ve herhangi bir darbe geldikten sonra, aşınma veya hasar belirtisi olup olmadığını kontrol edin ve gerekirse onarın.
15. Muhafazaları hasarlı veya takılı olmayan bir makineyi kesinlikle çalıştırmayın.
16. Hiçbir zaman, özellikle de motoru çalıştırırken ellerinizi ve ayaklarınızı kesici parçalara yaklaştırmayın.
17. Yaralanmamak için, misininin doğru uzunlukta kesilmesi için takılan kesici parçaya dikkat edin. Misinayı açtıktan sonra, makineyi çalıştırmadan önce mutlaka normal çalışma konumuna getirin.
18. Kesinlikle metal kesici parçalar takmayın.
19. Üretici tarafından tedarik edilmeyen veya önerilmeyen yedek parçaları ve aksesuarları kesinlikle kullanmayın.
20. Makine üzerinde kontrol, temizlik veya herhangi bir çalışma yapmadan önce ve makineyi çalıştırmıyorken mutlaka fişini elektrik prizinden çıkartın.
21. Havalandırma deliklerinin her zaman açık olduğundan emin olun.
22. Makine üzerine simgeler yapıştırılırsa, mutlaka ne işe yaradıkları açıklanmalıdır.
23. Maksimal yan tırpanın başından ayrılrken, mutlaka fişini prizden çekin.
24. Makineyi kullanmıyorken, çocukların ulaşamayacakları bir yerde saklayın.
25. Elektrik prizinden beslenen misinalı yan tırpanlar yalnızca yetkili bir servis merkezi tarafından onarılmalıdır.
26. Bu kılavuzda açıklananlar dışındaki onarım ve ayarlar için mutlaka yetkili bir servis merkezine danışın.
27. Yalnızca üretici tarafından önerilen yedek parçaları ve aksesuarları kullanın.



Makita'nın sürekli ürün geliştirme politikası nedeniyle, ürün özellikleri ve teknik özellikleri herhangi bir bildirimde bulunulmaksızın değiştirilebilir.

2. GENEL TANIM (Şekil 1)

- | | | |
|----------------------------|------------------------|-------------------|
| 1. Güvenlik kilidi düğmesi | 6. Açma/kapama düğmesi | Aksesuarlar: |
| 2. Yardımcı sap | 7. Boru | • Kemer |
| 3. Kilitleme mandalı | 8. Motor muhafazası | • Koruyucu gözlük |
| 4. Ayar düğmesi | 9. Güvenlik muhafazası | |
| 5. Ana sap | | |

3. TEKNİK ÖZELLİKLER

Model	UR3000
Anma gerilimi:	230 - 240 V~
Anma frekansı:	50 - 60 Hz
Anma gücü:	450 W
Yüksüz hız:	9.000 dak ⁻¹
Kesme genişliği:	300 mm
Misina boyutu:	Φ1,65 mm
Operatör konumundaki ses basıncı seviyesi:	75,1 dB (A) K=3 dB (A)
Garanti edilen ses gücü düzeyi:	96 dB (A)
Titreşim:	2,73 m/s ² K=1,5 m/s ²
Büyükölç (U/ G/ Y):	1.016 - 1.256 / 301 / 262 mm
Net ağırlık:	2,6 kg


4. MONTAJ TALİMATLARI


Tırpan makinesinin bazı parçaları monte edilmemiş olarak teslim edilir. Bu parçaları monte etmek için, şu adımları takip edin:


4-1 Güvenlik muhafazasının montajı

Güvenlik muhafazasının motor muhafazasına sabitlenmesi. (Şekil 2 ve 3)

1. Güvenlik muhafazasını motor muhafazasına yerleştirin.
2. Güvenlik muhafazasını çevirerek doğru konuma getirin.
3. Güvenlik muhafazasını bir vida yardımıyla motor muhafazasına sabitleyin.

 **UYARI:** Yaralanmamak için, misininin doğru uzunlukta kesilmesi için muhafazaya takılan bıçağa dikkat edin. Misinayı açtıktan sonra, misinalı yan tırpanı çalıştırmadan önce mutlaka normal çalışma konumuna getirin.

 **UYARI:** Kesinlikle metal kesici parçalar takmayın.

 **UYARI:** Misinalı yan tırpanınızı kesinlikle güvenlik muhafazasını doğru şekilde takmadan kullanmayın. Bu uyarının dikkate alınmaması, ciddi yaralanmalara yol açabilir.

4-2 Yardımcı sapın montajı

1. Yardımcı sapı destek parçasına takın. (Şekil 4)
2. Cıvatayı destek parçasının ve sapın deliklerinden geçirin ve kilitleme mandalını cıvataya vidalayın, ancak sonuna kadar sıkmayın. (Şekil 5)
3. Makinenin kafasını yere koyun ve ardından yardımcı sapı sizin için konforlu bir konuma ayarlayın: (Şekil 6)
 - 3a. Ayar düğmesine bastırdıktan sonra, boruyu istediğiniz uzunluğa ayarlayın.
 - 3b. Yardımcı sapı en rahat ettiğiniz açığa çevirin.
4. Yardımcı sapı sabitlemek için kilitleme mandalını sıkın.

5. ÇALIŞTIRMA

Misinalı yan tırpanı çalıştırmadan önce, uzatma kablosunu ana saptaki deliğinden geçirin. (Şekil 7 ve 8) Misinalı yan tırpanı tırpanlanacak çimlere değmeyecek şekilde sıkıca tutun ve üst saptaki emniyet kilidi düğmesine ve açma/kapama düğmesine aynı anda basın. Misinalı yan tırpanı kapatmak için, parmağınızı açma/kapama düğmesinden çekmeniz yeterlidir. (Şekil 9)



UYARI: Motoru kesinlikle ellerinizi ve ayaklarınızı kesici parçalardan uzaklaştırmadan çalıştırmayın.

6. MİSİNALI YAN TIRPANIN KENAR AÇICI OLARAK KULLANIMI

Geçişlerin ve yolların açılması için, misinalı yan tırpanı şu adımları takip ederek tırpan modundan kenar açma moduna geçirin:

1. Bir elinizle misinalı yan tırpanın borusunu tutarken, diğer elinizle döndürme düğmesine basın. (Şekil 10)
2. Boruyu, kenar açma moduna kilitlene kadar 180° döndürün. (Şekil 11)



UYARI: Makinenin istem dışı çalışarak ciddi bir yaralanmaya neden olmaması için, makinenin borusunu çevirmeye çalışmadan önce mutlaka fişini elektrik prizinden çekin.

7. MİSİNA KARTUŞUNUN DEĞİŞTİRİLMESİ

Misinalı yan tırpanla birlikte, sizi misininin geri sarılması zahmetinden kurtarmak için tek kullanımlık bir misina kartuşu verilir.

Boş bir misina kartuşunu değiştirmek için, şu adımları takip edin:

1. Makara yuvası üzerindeki iki kilit açma mandalına aynı anda bastırın (Şekil 12) ve boş makarayı kapaktan çekerek çıkartın. (Şekil 13)
2. Yayı ve kapağı boş makaradan çıkartın ve yeni makaraya takın, ardından yeni makaranın iki

misinasını kapak üzerindeki deliklerden geçirin.
(Şekil 14)

3. Yeni makarayı makara yuvasına yerleştirin ve ardından kilit açma mandallarıyla birlikte yerine tam olarak oturana kadar kapağa bastırın. (Şekil 15)

8. YENİ MİSİNA TAKILMASI

Yeni misina takmak için:

1. Makinenin elektrik bağlantısını kesin.
2. Boş makarayı çıkartın. (Şekil 12 ve 13)
3. 8 m'yi geçmeyecek şekilde yeni bir misina kesin ve ortasından bükün.
4. Yeni misinanın ortasını makara merkezine misinanın geçirilmesi için yerleştirilen 2 kanallı arasındaki misina deliğinden geçirin. Makara üzerindeki ok, misinanın sarılacağı yönü gösterir. (Şekil 16)
5. Düzgün şekilde yerleştirmek için, misinayı A kesitin (10) etrafına sarın. Misinayı, sarılan misina yüzeyinin hasar görmemesi için sıkı ve düz bir şekilde sarın. (Şekil 17)
6. Misinayı 100 mm kalana kadar sarın ve misina ucunu geçici olarak makaranın yanındaki misina tutucuda (12) bırakın. (Şekil 18)
7. Aynı şekilde, misinayı B kesitine (11) sarın ve ucunu yine geçici olarak takılı bırakın. (Şekil 17 ve 19)
8. Makarayı, geçici olarak takılan misina uçları (13) kapağın (15) yan tarafındaki misina deliklerine (14) karşılık gelecek şekilde kapağa yerleştirin. (Şekil 20)
9. Misina uçlarının geçici olarak takıldığı yerden çıkartın ve kapağın yan tarafındaki misina deliklerinden geçirin. (Şekil 21)

! UYARI: Kapağın makara yuvasına sağlam şekilde takıldığını emin olun. Kapağın sağlam şekilde takılmaması, makine parçalarının sıçrayarak ciddi yaralanmalara yol açmasına neden olabilir.

10. Yayın yerinde olduğundan emin olun. Kapağı (15) makara yuvasına (16) yerleştirin. Kilit mandallarının kapağa tam olarak oturduğundan emin olun. (Şekil 14, 15 ve 22)
11. Makara düşmesine (18) basın ve misinanın bir ucunu dışarı doğru çekin. Misinanın açıldığını emin olun. (Şekil 22 ve 23)
12. Son olarak, misinanın diğer ucunu bu sefer makara düşmesine basmadan dışarı doğru çekin. Misinanın açıldığını emin olun.

9. MİSİNANIN AÇILMASI

Kısa veya aşınmış misinaların kesim performansı düşer. Makinenin kesim performansını yükseltmek için, makine tam devirde çalışırken makara düşmesini hafifçe yere vurun. Bu şekilde ilave misina otomatik olarak açılacaktır. Muhafaza altındaki misina bıçağı (17), çalışma sırasında otomatik olarak misinayı doğru uzunlukta kesecektir. (Şekil 22 ve 24)

! NOT: Uzun çimlerin arasına gizlenmiş çitler, beton ve kayalar gibi sert veya aşındırıcı nesnelere

çarpılması, misinanın kopmasına neden olabilir. Misina koparsa, misina açma prosedürünü takip edin.

10. KULLANIM TALİMATLARI

Misinalı yan tırpanı tırpanlanacak çimlere yaklaştırdıktan sonra çalıştırın.

Çimleri kesmek için misinalı yan tırpanı yaklaşık 30°'lik bir açıda tutarak sağdan sola doğru hareket ettirin ve yavaşça ilerleyin. Uzun çimler her zaman yukarıdan başlanarak katmanlar halinde kesilmelidir Kesimler kısa olmalıdır.

Nemli veya yaş çimleri kesmeyin.

Misinanın çabuk aşınmasını önlemek için, sert nesnelere (taş, duvarlar, çitler vs.) temas ettirmemeye çalışın.

Misinalı yan tırpanı doğru mesafede tutmak için muhafazanın kenarını referans alın.



UYARI: Misinayı açmak için aşırı kuvvet uygulamayın ve Misina Açma Kafasını yere sert vurmayın. Misinalı yan tırpan çalışırken misina açma kafası yere hafifçe vurulduktan sonra misina açılmıyorsa, misina kartuş içinde dolaşmış veya kopmuş olabilir veya misina bitmiştir.

NOT: Misinanın açılması için aşırı kuvvet uygulanması veya Misina Açma Kafasının yere sert vurulması misina açma kafasına zarar verir.



UYARI: Kesim kafası, motor kapatıldıktan sonra birkaç saniye daha dönmeye devam eder.

11. UZATMA KABLOLARI

Yalnızca dışarıda kullanıma uygun, normal hizmet tipi PVC veya ağır hizmet tipi esnek kauçuk kaplı ve kesit alanı 0,75 mm²'den küçük olmayan uzatma kablolarını kullanın.

Makineyi çalıştırmadan önce, ana elektrik kablosunda ve uzatma kablolarında hasar belirtisi olup olmadığını kontrol edin ve hasar veya yıpranma varsa kabloyu çıkartın. Kablonun kullanım sırasında hasar görmesi halinde, kablunun derhal güç kaynağıyla bağlantısını kesin. GÜÇ KAYNAĞI İLE BAĞLANTISINI KESMEDEN ÖNCE KABLOYA KESİNLİKLE DOKUNMAYIN. Kablo su hasar görmüş veya aşınmış makineleri kesinlikle kullanmayın. Uzatma kablosunu kesici parçalardan uzak tutun.



UYARI: Havalandırma deliklerinin her zaman açık olduğundan emin olun.

12. BAKIM

1. Her kullanımdan sonra, makinenin güç kaynağıyla bağlantısını kesin ve hasar olup olmadığını kontrol edin.
2. Makineyi kullanmıyorken, çocukların ulaşamayacakları bir yerde saklayın.
3. Elektrik prizinden beslenen misinalı yan tırpanlar yalnızca yetkili bir servis merkezi tarafından onarılmalıdır.
4. Bu kılavuzda açıklananlar dışındaki onarım ve ayarlar için mutlaka yetkili bir servis merkezine danışın.

5. Yalnızca üretici tarafından önerilen yedek parçaları ve aksesuarları kullanın.

13. ÇEVREYE UYUMLU ŞEKİLDE BERTARAFI



Elektrikli ve elektronik cihazlara ilişkin 2002/96/EC sayılı AB direktifi ve bu direktifin ilgili ülke kanunlarında uygulanışı uyarınca, tüm elektrikli aletler mutlaka ayrı olarak toplanmalı ve çevreye uyumlu bir şekilde geri dönüştürülmelidir. Alternatif bertaraf yöntemi:

Elektrikli aletin sahibi, aleti üreticiye iade etmezse, aletin uygun bir toplama merkezinde ulusal geri dönüşüm kanunları ve yönetmelikleri uyarınca geri dönüştürülmesi için gerekli işlemleri yapmakla yükümlüdür. Bu kural aksesuarlar ve elektrikli veya elektronik parçaları olmayan aletler için geçerli değildir.

AT Uygunluk Beyanı

Makita Corporation, sorumlu üretici firma olarak, Makita marka makine/makineler ile ilgili şu hususları beyan eder:

Makinenin Adı: Misinalı Yan Tırpan
Model Numarası / Tipi: UR3000
Teknik Özellikler: bkz. "TEKNİK ÖZELLİKLER" tablosu.
seri üretimdir ve

Şu Avrupa Yönergelerine uygundur:

2000/14/EC, 2004/108/EC, 2006/42/EC, 2006/95/EC

Ve şu standarda veya standartlaştırılmış belgeye uygun olarak üretilmiştir:

EN55014, EN60335, EN61000, EN62233

Teknik dokümanlar aşağıda bilgileri verilen Avrupa'daki yetkili temsilcimiz tarafından saklanmaktadır:

Makita International Europe Ltd.

Michigan, Drive, Tongwell,

Milton Keynes, MK15 8JD, İngiltere

2000/14/EC sayılı Direktif tarafından istenen uygunluk değerlendirme prosedürü, Ek VIII'e uygundur.

Onaylayan Kurum:

TÜV SÜD Industrie Service GmbH

Westendstraße 199, D-80686 München

Tanım numarası: 0036

Ölçülen Ses Gücü Düzeyi: 92,7 dB (A)

Garanti Edilen Ses Gücü Düzeyi: 96 dB (A)

17. 12. 2010

Tomoyasu Kato

Müdür

Makita Corporation

3-11-8, Sumiyoshi-cho,

Anjo, Aichi, JAPAN

SVENSKA (Originalanvisningar)

Tack för att ni valt vår produkt. Vi är övertygade om att den höga kvaliteten på vår maskin kommer att vara till din belåtenhet och uppskattning. Vi kommer att ge er långvarig service.

Innan du börjar använda din maskin ska du läsa igenom bruksanvisningen noggrant, vilken vi valt att utarbeta för att ge dig all nödvändig information för korrekt användning i enlighet med grundläggande säkerhetskrav.



SYMBOLER

Några av följande symboler kanske används på din maskin. Var god och studera dem och lär dig dess betydelse. Korrekt tolkning av dessa symboler hjälper dig att hantera maskinen mer säkert och effektivt.

SYMBOLER	NAMN	BETYDELSE
	CE-märkning	Denna produkt uppfyller krav och bestämmelser utformade av Europeiska Gemenskapen (nu Europeiska Unionen).
	Klass II konstruktion	Dubbelisolerad konstruktion.
	WEEE-MÄRKNING	FÖRSIKTIGHET! Obrukbara maskiner ska inte kastas i hushållsavfallet. De måste kastas på en sopsorteringsstation för miljövänligt bortförskaffande i enlighet med lokala bestämmelser.
	Läs igenom bruksanvisningen	För att minska risken för skada måste användare läsa igenom och förstå bruksanvisningen innan denna produkt används.
	Elektrisk stöt!	Dra ut stickkontakten om kabeln är skadad eller intrasslad.
	Utsätt inte maskinen för regn	Lämna inte maskinen utomhus så det regnar på den.
	Bär skyddsglasögon	Bär skyddsglasögon för att minska risken för ögonskador!
	Märkning för bullernivå	Maskinbullret är inte mer än 96 dB.
	HÅLL ÅSKÅDARE PÅ AVSTÅND!	HÅLL ÅSKÅDARE PÅ AVSTÅND!

1. VIKTIGA SÄKERHETSANVISNINGAR

Syftet med säkerhetsregler är att uppmärksamma dig på möjliga faror. Säkerhetssymbolerna och förklaringarna till dessa kräver din fulla uppmärksamhet och förståelse. Säkerhetsvarningarna eliminerar inte någon fara. Bär alltid korrekt säkerhetsutrustning, såsom skyddet, även om du följer säkerhetsinstruktionerna och varningarna.



SYMBOL FÖR UPPMÄRKSAMHET:

Indikerar försiktighet eller varning och kan användas tillsammans med andra symboler eller bilder.



VARNING: Bekanta dig med manöverkontrollerna och den korrekta användningen av utrustningen.



VARNING: Att misslyckas att hörsamma säkerhetsvarningarna kan resultera i allvarlig skada för dig eller andra. Följ alltid säkerhetsföreskrifterna för att minska risken för eldsvåda, elektrisk stöt och personskada. Spara bruksanvisningen och gå igenom den ofta för fortsatt säker användning och för att instruera andra som ska använda denna maskin.



WARNING: Använd aldrig trimmern utan skyddet ordentligt monterat. I annat fall kan det orsaka allvarlig personskada.



WARNING: Maskinen bildar ett elektromagnetiskt fält omkring sig under användningen. Under vissa förhållanden kan detta fält störa aktiva eller passiva medicinska implantat. För att minska risken för allvarlig eller dödlig skada, rekommenderar vi personer med medicinskt implantat att konsultera sin läkare och tillverkaren av det medicinska implantatet innan de använder maskinen.



WARNING: Användningen av maskiner kan leda till att föremål kastas in i dina ögon, vilket kan leda till att du förlorar synen eller får allvarlig ögonskada. Bär alltid korgglasögon eller skyddsglasögon med sidoskydd och ett komplett ansiktsskydd, vid behov, innan du börjar arbeta med maskinen. Vi rekommenderar en säkerhetsmask som ger brett synfält för användning över glasögon eller standardskyddsglasögon med sidoskydd.

1. Denna maskin är inte avsedd för användning av personer (inklusive barn) med nedsatt fysisk, mental eller sensorisk förmåga, eller av personer som inte har erfarenhet och kunskap om hur maskinen används, om de inte övervakas eller får instruktioner angående användning av maskinen av en person som är ansvarig för deras säkerhet.
2. Barn ska övervakas så att de inte kan leka med maskinen.
3. Läs noggrant igenom anvisningarna.
4. Väpn dig vid manöverkontrollerna och den korrekta användningen av utrustningen.
5. Innan användningen ska du kontrollera utrustningen och förlängningskabeln för tecken på skada.
6. Om kabeln skadas under användning ska kabeln genast kopplas bort från elnätet. RÖR INTE KABELN FÖRRÄN DEN ÄR BORTKOPPLAD FRÅN ELNÄTET.
7. Använd inte grässtrimmern (kanttrimmer) om kablarna är skadade eller slitna.
8. **WARNING:** Skärande delar fortsätter att snurra efter det att motorn stängts av.

2. DELAR (Fig. 1)

- | | |
|----------------------|-------------------|
| 1. Säkerhetsläsknapp | 6. Avtryckare |
| 2. Hjälpbandtag | 7. Stång |
| 3. Läsratt | 8. Motorhus |
| 4. Justeringsknapp | 9. Säkerhetsskydd |
| 5. Huvudhandtag | |

9. Håll förlängningskablarna borta från skärande delar.
10. Bär skyddsglasögon eller korgglasögon.
11. Låt aldrig maskinen användas av barn eller av personer som inte känner till dessa anvisningar.
12. Använd aldrig maskinen när personer, speciellt barn, eller djur finns i närheten.
13. Använd maskinen endast i dagsljus eller i god belysning.
14. Innan du använder maskinen och efter slag mot den, ska du kontrollera om det finns tecken på slitage eller skada och reparera vid behov.
15. Kör aldrig maskinen med skadade skydd eller utan skydden på plats.
16. Håll alltid händer och fötter borta från skärande delar, och särskilt när du startar motorn.
17. Var försiktig så att du inte skadar dig på någon del avsedd för trimning av trädens längd. Efter att ny skärtråd har dragits fram, ska maskinen alltid återföras till sitt normala driftsläge innan den startas.
18. Fäst aldrig skärande delar av metall.
19. Använd aldrig reservdelar eller tillbehör som inte är medskickade eller rekommenderade av tillverkaren.
20. Koppla bort maskinen från elnätet innan du kontrollerar, rengör eller utför arbete på maskinen samt när den inte används.
21. Försäkra dig alltid om att ventilationshålen är fria från skräp.
22. Där symbolers piktogram används i märkningen på maskinen, ska deras funktion förklaras.
23. Dra alltid ut trimmerns stickkontakt ur eluttaget när du lämnar trimmern utan tillsyn.
24. När maskinen inte används ska den förvaras utom räckhåll för barn.
25. Elektriska trimmers ska endast repareras av ett auktoriserat servicecenter.
26. Be ett auktoriserat servicecenter om hjälp med reparationer eller justeringar som inte finns beskrivna i bruksanvisningen.
27. Använd endast tillverkarens rekommenderade reservdelar och tillbehör.



Till följd av Makitas kontinuerliga produktutvecklingspolicy, kan produkters funktioner och specifikationer ändras utan föregående meddelande.

Tillbehör:

- Bälte
- Skyddsglasögon

3. SPECIFIKATIONER

Modell	UR3000
Märkspänning:	230 - 240 V~
Märkfrekvens:	50 - 60 Hz
Märkeffekt:	450 W
Obelastat varvtal:	9 000 min ⁻¹
Skärvidd:	300 mm
Trådstorlek:	Φ1,65 mm
Ljudtrycksnivå där användaren befinner sig:	75,1 dB (A) K=3 dB (A)
Garanterad ljudeffektnivå:	96 dB (A)
Vibration:	2,73 m/s ² K=1,5 m/s ²
Mått (L / B / H):	1 016 - 1 256 / 301 / 262 mm
Nettovikt:	2,6 kg

4. MONTERINGSANVISNING

Trimmern levereras med några komponenter som inte är monterade. För att montera dessa, gör följande:

4-1 Montering av säkerhetsskydd

Fäst säkerhetsskyddet på motorhuset. (Fig. 2 och 3)

1. Sätt säkerhetsskyddet på motorhuset.
2. Vrid säkerhetsskyddet till höger position.
3. Fäst säkerhetsskyddet på motorhuset med en skruv.



WARNING: Var försiktig så att du inte skadar dig på skärbladet som sitter på skyddet och som skär av tråden. Efter det att ny tråd har dragits ut ska trimmern alltid ställas tillbaka till sitt normala arbetsläge innan den startas.



WARNING: Fäst aldrig skärande metalldelar.



WARNING: Använd aldrig trimmern utan säkerhetsskyddet ordentligt monterat. I annat fall kan det orsaka allvarlig personskada.

4-2 Montering av hjälphandtag

1. Fäst hjälphandtaget i stödet. (Fig. 4)
2. Sätt i bulten genom hålen i handtagsstödet och handtaget, och skruva fast låsratten på bulten, men skruva inte in den helt. (Fig. 5)
3. Placera maskinhuvudet på marken och justera sedan hjälphandtaget till ett bekvämt läge. (Fig. 6)
 - 3a. Tryck på justeringsknappen och justera längden för stängan vid behov.
 - 3b. Vrid hjälphandtaget till en bekväm vinkel.
4. Skruva fast låsratten för att fästa hjälphandtaget.

5. STARTA

Innan du startar trimmern ska förlängningskabeln fästas i hålet på huvudhandtaget. (Fig. 7 och 8)

Ta ett stadigt tag i trimmern, och utan att låta den komma i kontakt med gräset, tryck ned säkerhetslåsknappen och tryck in avtryckaren på översta delen av handtaget.

Släpp avtryckaren för att stänga av trimmern. (Fig. 9)



WARNING: Starta motorn endast när du har dina händer och fötter borta från skärverktyget.

6. ANVÄND TRIMMERN SOM EN KANTKLIPPARE

För kantklippning av uppfarter och gångar ändrar du trimmern från trimningsläge till kantklippningsläge enligt följande:

1. Håll i stängan på trimmern med ena handen och tryck på vridknappen med den andra handen. (Fig. 10)
2. Vrid stängan 180° tills den låser fast i kantklippningsläget. (Fig. 11)



WARNING: För att förebygga oavsiktlig start vilket kan orsaka allvarlig personskada, ska alltid elkabeln kopplas bort från elnätet innan du försöker att vrida skafvet.

7. UTBYTE AV SKÄRTRÅDSRULLEN

Trimmern är försedd med en skärtrådsrulle för engångsbruk vilken gör att du kommer ifrån besväret med att linda upp skärtråden på nytt.

Gör på följande sätt för att byta ut en tom skärtrådsrulle:

1. Tryck in båda spärrarna på rullhållaren och höj upp den ur locket (Fig. 12), ta sedan bort den tomma rullen. (Fig. 13)
2. Ta bort fjädern och locket från den tomma rullen och placera dem i den nya rullen, mata sedan de två skärtrådarna för den nya rullen genom hålen i locket. (Fig. 14)
3. Placera den nya rullen i rullhållaren och tryck sedan ned locket tills det låser på plats av spärrarna. (Fig. 15)

8. PÅFYLLNING AV SKÄRTRÅD

Att fylla på med skärtråd:

1. Koppla bort maskinen från elnätet.
2. Ta bort de tomma rullen. (Fig. 12 och 13)
3. Klipp en ny skärtråd mindre än 8 m och böj den på mitten.
4. Haka fast mitten på den nya skärtråden i skåran som är placerad i centrum av rullen mellan de 2 kanalerna som är avsedda för skärtråden. Pilen på rullen visar i vilken riktning skärtråden ska lindas upp. (Fig. 16)
5. Linda skärtråden runt A-sektionen (10) på ett organiserat sätt. Se till att linda den hårt och platt så att inte ytan blir ojämn. (Fig. 17)
6. Linda upp allt utom 100 mm av skärtråden och lämna tillfälligt änden fasthakad i en trådhållare (12) på sidan av rullen. (Fig. 18)
7. Linda nu skärtråden i B-sektionen (11) också, och lämna änden tillfälligt fasthakad. (Fig. 17 och 19)
8. Montera rullen på locket så att det tillfälligt fasthakade läget för skärtråden (13) passar in med skårorna (14) på sidorna av locket (15). (Fig. 20)
9. Släpp skärtrådens ändar från deras tillfälliga läge och mata in dem i skårorna på sidan av locket. (Fig. 21)



WARNING: Kontrollera att locket är fastsatt ordentligt på rullhållaren. I annat fall kan det leda till att komponenterna flyger isär vilket resulterar i allvarlig personskada.

10. Kontrollera så att fjädern sitter på plats. Tryck ned locket (15) i rullhållaren (16). Kontrollera så att spärrarna sprids helt i locket. (Fig. 14, 15 och 22)
11. Tryck på knappen på rullen (18) och dra ut en ände av skärtråden. Kontrollera så att tråden har matats ut. (Fig. 22 och 23)
12. Dra slutligen ut den andra änden av skärtråden utan att trycka på knappen på rullen. Kontrollera så att tråden har matats ut.

9. MATA UT SKÄRTRÅD

Korta och slitna trådar skär mindre effektivt. För att förbättra dess funktion kan du knacka med rullens knapp lätt på marken medan trimmern körs på full hastighet. Detta kommer automatiskt att mata ut extra skärtråd. Skärtrådskniven (17) som sitter under skyddet kommer automatiskt att skära av tråden till rätt längd under drift. (Fig. 22 och 24)



OBS! Att slå emot hårda eller skrovliga föremål såsom stängsel, betong och stenar som ligger gömda i gräset kan orsaka att skärtråden går av. Om skärtråden går av ska följande procedur följas.

10. ANVÄNDNINGSPROCEDUR

Starta trimmern innan du närmar dig gräset som ska klippas.

Klipp gräset genom att sakta föra trimmern från höger till vänster samtidigt som du lutar den cirka 30°. Høgt gräs ska klippas i lager och börja alltid högst upp. Klippen ska vara korta.

Klipp inte fuktigt eller vått gräs.

Undvik att gå emot hårda föremål (sten, väggar, stängsel etc.) så att tråden inte slits ut snabbt. Använd kanten på skyddet för att hålla trimmern på rätt avstånd.



WARNING: Använd inte överdriven styrka eller slå trimmerstöthuvudet på marken för att mata ut trimmertråd. Om trimmertråden inte matas ut efter att du knackat stöthuvudet mot marken medan trimmern körs, kan det hända att skärtråden har trasslat sig eller gått av inuti rullen eller så är tråden slut. OBS: Överdriven styrka eller att slå trimmerstöthuvudet mot marken för att mata ut trimmertråd, skadar stöthuvudet.



WARNING: Skärhuvudet fortsätter att snurra i några sekunder efter det att motorn har stängts av.

11. FÖRLÄNGNINGSKABLAR

Endast förlängningskablar för utomhusbruk ska användas, PVC för normalanvändande eller grov flexibel gummiantlad kabel, med en tvärsnittsarea inte mindre än 0,75 mm².

Kontrollera den medskickade kabeln och förlängningskablarna före användningen så att de inte har skadats under tidigare användning och ta bort eventuell skadad eller sliten kabel. Om kabeln skadas under användning ska kabeln genast kopplas bort från elnätet. RÖR INTE KABELN FÖRRÄN DEN ÄR BORTKOPPLAD FRÅN ELNÄTET. Använd inte maskinen om kabeln är skadad eller sliten. Håll förlängningskabeln borta från skärande delar.



WARNING: Försäkra dig alltid om att ventilationshålen är fria från skräp.

12. UNDERHÅLL

1. Efter användning ska maskinen kopplas bort från elnätet och kontrolleras för tecken på skador.
2. När maskinen inte används ska den förvaras utom räckhåll för barn.
3. Elektriska trimmers ska endast repareras av ett auktoriserat servicecenter.
4. Be ett auktoriserat servicecenter om hjälp med reparationer och justeringar som inte finns beskrivna i bruksanvisningen.
5. Använd endast tillverkarens rekommenderade reservdelar och tillbehör.

13. MILJÖVÄNLIG AVFALLSHANTERING



Enligt EU-direktiv 2002/96/EU för elektrisk och elektronisk utrustning och dess implementering i nationell lag, måste alla elektriska maskiner samlas separat och återvinnas på ett miljövänligt sätt. Alternativt avfallshantering: om ägaren av maskinen inte lämnar tillbaka maskinen till tillverkaren är ägaren ansvarig för korrekt avfallshantering på en utsedd

sopsorteringsstation där maskinen förbereds för återvinning enligt nationella lagar och bestämmelser. Detta inkluderar inte tillbehör och maskiner utan elektriska eller elektroniska komponenter.

EU-deklaration om överensstämmelse
Vi Makita Corporation som ansvarig tillverkare
deklarerar här med att följande maskin(er) från
Makita:

Maskinbeteckning: Grästrimmer

Modellnr./typ: UR3000

Specifikationer: se tabellen "SPECIFIKATIONER".
ingår i serieproduktion och

uppfyller följande Europeiska direktiv:

2000/14/EU, 2004/108/EU, 2006/42/EU, 2006/95/EU

Och är tillverkade enligt följande standard eller
standardiseringsdokument:

EN55014, EN60335, EN61000, EN62233

Den tekniska dokumentationen förs av vår auktoriserade
representant i Europa som är:

Makita International Europe Ltd.

Michigan Drive, Tongwell,

Milton Keynes, MK15 8JD, England

Konformitetsgodkännandet som krävs av direktivet
2000/14/EU har utförts av Annex VIII.

Anmält organ:

TÜV SÜD Industrie Service GmbH

Westendstraße 199, D-80686 München

Identifikationsnummer: 0036

Uppmätt ljudeffektnivå: 92,7 dB (A)

Garanterad ljudeffektnivå: 96 dB (A)

17. 12. 2010



Tomoyasu Kato
Direktör

Makita Corporation
3-11-8, Sumiyoshi-cho,
Anjo, Aichi, JAPAN

DANSK (Originalvejledning)

Vi er taknemmelige for, at du valgte vores produkt. Vi er overbeviste om, at vores maskines høje kvalitet vil leve fuldt op til dine forventninger, og at den vil tjene dig i lang tid fremover.

Inden du begynder at bruge din maskine skal du sørge for at læse denne brugsanvisning omhyggeligt igennem, som er blevet fremstillet specielt for at give dig de nødvendige oplysninger, som behøves for korrekt brug, i overensstemmelse med de grundliggende sikkerhedskrav.



SYMBOLER

Nogle af de følgende symboler anvendes muligvis på din maskine, så du bør kigge på dem og lære deres betydning at kende, da korrekt forståelse af disse symboler gør det muligt at anvende maskinen på en mere sikker og effektiv vis.

SYMBOLER	NAVN	FORKLARING
	CE-mærkning	Dette produkt lever op til krav og bestemmelser fra EF (nu EU).
	Klasse II-konstruktion	Dobbelt isoleret-konstruktion
	WEEE-MÆRKNING	FORSIGTIG! Maskiner, som ikke kan anvendes længere, hører ikke til blandt husholdningsaffald. De skal afleveres på en kommunal opsamlingsplads for miljøvenlig bortskaffelse i henhold til lokale bestemmelser.
	Læs brugsanvisningen	For at reducere risikoen for tilskadekomst skal brugeren læse og forstå brugsanvisningen inden brug af dette produkt.
	Elektrisk stød!	Tag stikket ud af stikkontakten, hvis ledningen er beskadiget eller viklet ind i noget.
	Udsæt ikke maskinen for regn	Lad ikke maskinen ligge udenfor og udsæt den ikke for regnvej.
	Brug øjenbeskyttelse	For at reducere risikoen for øjenskader skal du anvende øjenbeskyttelse!
	Støjniveaumærkning	Støjen fra maskinen overstiger ikke 96 dB.
	HOLD ALLE ANDRE TILSTEDEVÆRENDE PÅ AFSTAND!	HOLD ALLE ANDRE TILSTEDEVÆRENDE PÅ AFSTAND!

1. VIGTIGE SIKKERHEDSINSTRUKTIONER

Fornålet med sikkerhedsreglerne er at gøre dig opmærksom på eventuelle farer. Sikkerhedssymbolerne, og forklaringerne sammen med dem, kræver din fulde opmærksomhed og forståelse. Sikkerhedsadvarslerne eliminerer ikke nogen farer. Brug altid korrekt sikkerhedsudstyr som f.eks. afskærmningen, selvom du overholder sikkerhedsinstruktioner og advarsler.



SYMBOL FOR SIKKERHEDSADVARSEL:
Angiver opfordring til forsigtighed eller advarsel i forbindelse med andre symboler eller billeder.



ADVARSEL: Gør dig bekendt med betjeningen og den korrekte anvendelse af udstyret.



ADVARSEL: Hvis sikkerhedsadvarslerne ikke overholdes, kan det medføre alvorlige skader på dig selv eller andre. Efterfølg altid sikkerhedsforholdsreglerne for at reducere risikoen for brand, elektrisk stød og personskader. Gem brugsanvisningen og konsulter den ofte for fortsat sikker anvendelse og for instruktion af andre, der eventuelt bruger denne maskine.



ADVARSEL: Brug aldrig trimmeren uden korrekt monteret afskærmning. Overholdes denne advarsel ikke, kan det medføre alvorlig personskade.



ADVARSEL: Denne maskine frembringer et elektromagnetisk felt under anvendelsen. Dette felt kan under visse omstændigheder interferere med aktive eller passive medicinske implantater. For at reducere risikoen for alvorlige eller fatale skader anbefaler vi, at personer med medicinske implantater konsulterer deres læge og producenten af de medicinske implantater inden anvendelse af denne maskine.



ADVARSEL: Enhver anvendelse af en maskine kan medføre, at der udkastes fremmedlegemer som du kan få i øjnene, hvilket kan resultere i tab af synsevne eller alvorlig øjenskade. Inden anvendelse af en maskine skal du altid bære beskyttelsesbriller eller sikkerhedsbriller med sidebeskyttelse eller en ansigtsskærm, hvis det er nødvendigt. Vi anbefaler en bred beskyttelsesmaske til brug over briller eller almindelige beskyttelsesbriller med sidebeskyttelse.

1. Dette apparat er ikke beregnet til brug af personer (inklusive børn) med reducerede fysiske, sensoriske eller mentale evner, eller personer med manglende erfaring og viden, medmindre de er under opsyn eller instrueres i brugen af apparatet af en person, der er ansvarlig for deres sikkerhed.
2. Børn bør holdes under opsyn for at sikre, at de ikke leger med apparatet.
3. Læs omhyggeligt instruktionerne igennem.
4. Gør dig bekendt med betjeningen og den korrekte anvendelse af udstyret.
5. Kontroller strømforsynings- og forlængerledningen inden brug for tegn på beskadigelse eller slid.
6. Hvis ledningen bliver beskadiget under brug, skal ledningen straks afbrydes fra strømforsyningen. RØR IKKE VED LEDNINGEN, FØR DEN ER BLEVET AFBRUDT FRA STRØMFORSYNINGEN.
7. Brug ikke en plænetrimmer (kantrimmer), hvis ledningerne er beskadiget eller slidte.
8. Advarsel: Skæreelementerne fortsætter med at dreje rundt, efter motoren er slukket.

9. Hold forlængerledninger væk fra skarpe genstande.
10. Bær beskyttelsesbriller eller sikkerhedsbriller.
11. Lad aldrig børn eller personer, som ikke har kendskab til disse instruktioner, anvende maskinen.
12. Stop brugen af maskinen når der er personer, især børn, eller kæledyr i nærheden.
13. Brug kun maskinen i dagslys eller under god kunstig belysning.
14. Du skal kontrollere for tegn på slid eller skader, samt udføre reparation efter behov, inden brug af maskinen og efter eventuelt stød.
15. Anvend aldrig maskinen med beskadigede afskærmninger eller uden afskærmningerne på plads.
16. Hold altid hænder og fødder væk fra skæreværktøjet, især når du tænder for motoren.
17. Vær særlig opmærksom på skader fra udstyr der er påmonteret til afkortning af snorlængden. Efter der er trukket en nye skæresnor ud, skal maskinen altid sættes tilbage på dens normale anvendelsesposition inden den tændes.
18. Påmonter aldrig skærelementer af metal.
19. Brug aldrig reservedele eller tilbehør som ikke tilbydes eller anbefales af producenten.
20. Afbryd maskinens forbindelse til stikkontakten inden du kontrollerer, rengør eller arbejder på maskinen, samt når den ikke er i brug.
21. Sørg altid for, at ventilationsåbningerne holdes fri for afklippede materialer.
22. Der hvor der anvendes symbolpiktogrammer i mærkningen på maskinen, bør deres funktion være forklaret.
23. Tag altid trimmerens stik ud af stikkontakten, når du lader trimmeren være uden opsyn.
24. Når den ikke er i brug, skal maskinen opbevares uden for børns rækkevidde.
25. Trimmere som drives vha. el fra stikkontakten, bør kun repareres af et autoriseret servicecenter.
26. Overlad al anden reparation eller justering end det, der er beskrevet i denne brugsanvisning, til et autoriseret servicecenter.
27. Anvend kun producentens anbefalede reservedele og tilbehør.



På grund af Makitas kontinuerlige videreudviklingspolitik, ændres produkttegenskaber og specifikationer uden forudgående varsel.

2. GENEREL IDENTIFICERING (Fig. 1)

- | | |
|-----------------------|--------------------------|
| 1. Sikkerhedslåseknop | 6. Afbryderkontakt |
| 2. Ekstra håndtag | 7. Rør |
| 3. Låseknop | 8. Motorhus |
| 4. Justeringsknop | 9. Sikkerhedsafskærmning |
| 5. Hovedhåndtag | |

Tilbehør:

- Bælte
- Øjenbeskyttelsesglas

3. SPECIFIKATIONER

Model	UR3000
Nominal spænding:	230 - 240 V-
Nominal frekvens:	50 - 60 Hz
Nominal effekt:	450 W
Hastighed uden belastning:	9.000 min ⁻¹
Skærebredde:	300 mm
Snorstørrelse:	Φ1,65 mm
Lydtryksniveau på operatørens position:	75,1 dB (A) K=3 dB (A)
Garanteret lydeffektniveau:	96 dB (A)
Vibration:	2,73 m/s ² K=1,5 m/s ²
Størrelse (L/ B/ H):	1.016 - 1.256 / 301 / 262 mm
Nettovægt:	2,6 kg

4. MONTERINGSVEJLEDNING

Når trimmeren leveres, er der nogle komponenter, som ikke er monteret. For at montere disse skal du gøre følgende:

4-1 Montering af sikkerhedsafskærmning

Monter sikkerhedsafskærmningen på motorhuset. (Fig. 2 og 3)

1. Placer sikkerhedsafskærmningen på motorhuset.
2. Roter sikkerhedsafskærmningen til den højre position.
3. Monter sikkerhedsafskærmningen på motorhuset med en skrue.



ADVARSEL: Pas på at du ikke kommer til skade på kniven, som er placeret på afskærmningen, til afskæring af snorlængden. Efter der er trukket en nye snor ud, skal maskinen altid vendes om til dens normale anvendelsesposition, inden den tændes.



ADVARSEL: Påmonter aldrig skæreelementer af metal.



ADVARSEL: Brug aldrig maskinen uden korrekt monteret sikkerhedsafskærmning. Overholdes denne advarsel ikke, kan det medføre alvorlig personskade.

4-2 Montering af det ekstra håndtag

1. Monter det ekstra håndtag på beslaget. (Fig. 4)
2. Indsæt bolten i hullerne på håndtagsbeslaget og håndtaget og skru låseknappen på bolten, men skru ikke helt fast. (Fig. 5)
3. Placer maskinhovedet på jorden og juster derefter det ekstra håndtag ind på en behagelig position for dit andet håndtag: (Fig. 6)
 - 3a. Tryk på justeringsknappen og juster ind på den ønskede rørlængde.
 - 3b. Roter det ekstra håndtag ind på en passende behagelig vinkel.
4. Skru låseknappen ind så det ekstra håndtag fastgøres.

5. START

Inden du starter trimmeren, skal du fastgøre forlængerledningen i hullet på hovedhåndtaget. (Fig. 7 og 8)

Tag et fast greb om trimmeren, uden at du lader den røre det græs som skal klippes, og tryk ned på sikkerhedslåseknappen og afbryderkontakten på det øverste håndtag.

Slip afbryderkontakten for at slukke for trimmeren. (Fig. 9)



ADVARSEL: Start kun motoren når dine hænder og fødder er væk fra skæreværktøjet.

6. ANVENDELSE AF TRIMMEREN SOM EN KANTKLIPPER

For at klippe kanter i indkørsler og på stier skal trimmeren omstilles fra trimmerstilstand til kantklippingstilstand som følger:

1. Hold trimmerstangen med én hånd og tryk på rotationsknappen med den anden hånd. (Fig. 10)
2. Roter stangen 180° indtil den låses i kantklippingstilstand. (Fig. 11)



ADVARSEL: For at forhindre utilsigtet start, hvilket kan medføre alvorlig personskade, skal du altid tage strømledningen ud, inden du forsøger at rotere skaffet.

7. UDSKIFTNING AF SKÆRESNORSKASSETTEN

Den trimmer er udstyret med en engangsskæresnorskassette, hvilket overflødiggør besværlig tilbagespoling af skæresnoren.

Sådan udskiftes en tom skæresnorskassette som følger:

1. Tryk på begge klemmemekanismerne på spoleholderen og træk det op og ud af hættten (Fig. 12) og fjern den tomme spole. (Fig. 13)
2. Tag fjederen og hættten ud af den tomme spole og sæt dem ind i den nye spole, hvorefter de to skæresnore

fra den nye spole føres gennem øjerne i hættten.

(Fig. 14)

- Placer den nye spole i spoleholderen og tryk derefter hættten ned, indtil den låses på plads af klemmemekanismen. (Fig. 15)

8. GENOPFYLDNING AF SKÆRESNOR

Sådan genopfyldes skæresnoren:

- Afbryd altid maskinens forbindelse til stikkontakten.
- Fjern den tomme spole. (Fig. 12 og 13)
- Skær en ny skæresnor af så den er mindre end 8 meter, og fold den på midten.
- Hægt midten af den nye skæresnor på indhakkert i midten af spolen mellem de 2 kanaler til skæresnoren. Pilen på spolen angiver oprulningsretningen for skæresnoren. (Fig. 16)
- Rul skæresnoren omkring A-sektionen (10) på ordentlig vis. Sørg for at rulle den stramt og fladt på, så overfladen af den oprullede snor ikke er ujævn. (Fig. 17)
- Vikl skæresnoren helt op på nær cirka 100 mm, og lad midlertidigt enden være hægtet gennem en snorholder (12) på siden af spolen. (Fig. 18)
- På denne måde vikles snoren i B-sektionen (11) ligeledes op, og enden lades midlertidigt være hægtet på. (Fig. 17 og 19)
- Monter spolen på hættten så skæresnorens (13) midlertidigt påhægtede position svarer til indhakkene (14) på siden af hættten (15). (Fig. 20)
- Løsn skæresnorens ender fra deres midlertidige position og placer dem i indhakkene på siden af hættten. (Fig. 21)



ADVARSEL: Sørg for at hættten er ordentligt fastgjort til spoleholderen. Fastgøres hættten ikke ordentligt, kan det medføre, at komponenterne flyver af med alvorlige personskader til følge.

- Sørg for at fjederen er på plads. Tryk hættten (15) ind i spoleholderen (16). Sørg for, at klemmemekanismerne hæfter hættten ordentligt fast. (Fig. 14, 15 og 22)
- Tryk på spoleknappen (18) og træk skæresnorens ene ende ud. Sørg for at snoren er blevet fremført. (Fig. 22 og 23)
- Til sidst trækkes den anden ende af snoren ud, uden der trykkes på spoleknappen. Sørg for at snoren er blevet fremført.

9. FREMFØRING AF SKÆRESNOR

Korte eller slidte snore skærer mindre effektivt. For at forbedre betjeningen i efterfølgende situationer skal spoleknappen bankes let ned i jorden, mens trimmeren kører ved fuld hastighed. Dermed fremføres der automatisk ekstra skæresnor. Kniven (17) under afskærmningen til afskæring af skæresnoren kører automatisk skæresnoren af til den rigtige længde under anvendelsen. (Fig. 22 og 24)



BEMÆRK: Rammer maskinen hårde eller grove genstande som f.eks. hegn, beton eller sten gemt i højt græs, kan det medføre, at skæresnoren knækker. Hvis skæresnoren knækker, skal du foretage fremføringsproceduren.

10. VEJLEDNING I BRUG

Start trimmeren inden den kommer for tæt på det græs, der skal klippes.

Klip græsset ved at bevæge trimmeren fra højre til venstre og gå langsomt frem, mens du holder trimmeren i vinkel på ca. 30°. Højt græs bør klippes stykke for stykke, altid begyndende oppefra. Klippene bør være korte.

Klip ikke fugtigt eller vådt græs.

Undgå at slide snoren for hurtigt ved at ramme ind i hårde genstande (sten, mure, hegn osv.). Brug kanten af afskærmningen til at holde trimmeren i den rigtige afstand.



ADVARSEL: Brug ikke overdreven kraft, og slå ikke trimmerhovedet ned i jorden for at fremføre trimmersnoren. Hvis trimmersnoren ikke fremføres når trimmerhovedet bankes let ned i jorden, mens trimmeren kører, er skæresnoren muligvis snoet eller knækket inde i kassetten, eller skæresnoren er muligvis brugt op. **BEMÆRK:** Brug af overdreven kraft eller hvis trimmer stødes ned i jorden for at fremføre skæresnor, skader trimmerhovedet.



ADVARSEL: Skærehovedet fortsætter med at rotere nogle få sekunder, efter motoren er slukket.

11. FORLÆNGERLEDNINGER

Du skal kun anvende forlængerledninger til udendørsbrug, som f.eks. ledning med PVC-kappe til almindeligt brug eller kraftig ledning med gummikappe, med et tværsnit på mindst 0,75 mm².

Inden brug kontrolleres strømforsynings- og forlængerledninger for tegn på skader opstået under brug, og ledningen afbrydes ved tegn på skader eller ældning. Hvis ledningen bliver beskadiget under brug, skal ledningen straks afbrydes fra strømforsyningen. **RØR IKKE VED LEDNINGEN, FØR DEN ER BLEVET AFBRUDT FRA STRØMFORSYNINGEN.** Benyt ikke apparatet, hvis ledningen er beskadiget eller slidt. Hold forlængerledningen væk fra skarpe genstande.



ADVARSEL: Sørg altid for, at ventilationsåbningerne holdes fri for afklippede materialer.

12. VEDLIGEHOLDELSE

- Efter brug afbrydes maskinens forbindelse til stikkontakten, og den kontrolleres for skader.
- Når den ikke er i brug, skal maskinen opbevares uden for børns rækkevidde.
- Trimmere som drives vha. el fra stikkontakten, bør kun repareres af et autoriseret servicecenter.

4. Overlad al anden reparation eller justering end det, der er beskrevet i denne brugsanvisning, til et autoriseret servicecenter.
5. Anvend kun producentens anbefalede reservedele og tilbehør.

13. MILJØVENLIG BORTSKAFFELSE



I henhold til EU-direktivet 2002/96/EF for elektriske og elektroniske produkter og dets implementering i national lovgivning skal alt elektrisk værktøj indsamles separat og genanvendes på miljøvenlig vis. Alternativ bortskaffelse: Hvis ejeren af el-værktøjet ikke

returnerer værktøjet til producenten, er han ansvarlig for korrekt bortskaffelse på en designet opsamlingsplads, der klargør apparatet til genbrug i henhold til nationale love og bestemmelser for genbrug. Dette inkluderer ikke tilbehør og værktøjer uden elektriske eller elektroniske komponenter.

EF-overensstemmelseserklæring

Vi, Makita Corporation, erklærer som ansvarlig producent at følgende Makita-maskine(r):

Maskinens betegnelse: Trådtrimmer

Modelnummer/type: UR3000

Specifikationer: se tabellen "SPECIFIKATIONER".

er en produktionsserie og

Overholder følgende europæiske direktiver:

2000/14/EF, 2004/108/EF, 2006/42/EF, 2006/95/EF

Og er produceret i overensstemmelse med den følgende standard eller standardiserede dokument:

EN55014, EN60335, EN61000, EN62233

Den tekniske dokumentation findes hos vores

autoriserede repræsentant i Europa:

Makita International Europe Ltd.

Michigan Drive, Tongwell,

Milton Keynes, MK15 8JD, England

Den konformitetsvurderingsprocedure, der kræves af Direktiv 2000/14/EF, blev udført i henhold til appendiks VIII.

Underrettet organ:

TÜV SÜD Industrie Service GmbH

Westendstraße 199, D-80686 München

Identifikationsnummer: 0036

Målt lydeffektniveau: 92,7 dB (A)

Garanteret lydeffektniveau: 96 dB (A)

17. 12. 2010

Tomoyasu Kato

Direktør

Makita Corporation

3-11-8, Sumiyoshi-cho,

Anjo, Aichi, JAPAN

SUOMI (Alkuperäiset ohjeet)

Kiitos, että valitsit tuotteemme. Olemme varmoja, että tuotteemme laatu vastaa odotuksiasi ja palvelee sinua pitkään.

Tutustu ennen laitteen käytön aloittamista tähän ohjeeseen, johon on koottu kaikki laitteen käyttämisessä tarvittavat tiedot ja tärkeimmät käyttöturvallisuuteen liittyvät varoitukset.



SYMBOLIT

Työkalussa voidaan käyttää joitakin seuraavista symboleista. Tutustu huolellisesti näihin symboleihin ja niiden merkityksiin, sillä niiden ymmärtäminen auttaa käyttämään laitetta turvallisesti ja tehokkaasti.

SYMBOLIT	NIMI	SELITYS
	CE-merkintä	Tuote vastaa Euroopan Yhteisön (nykyisen Euroopan Unioni) asettamia vaatimuksia ja säädöksiä.
	Luokan II rakenne	Rakenne on kaksinkertaisesti suojaeristetty.
	WEEE-MERKINTÄ	HUOMIO! Loppuun käytettyjä työkaluja ei saa hävittää kotitalousjätteen mukana. Ne on toimitettava kunnalliseen keräyspisteeseen paikallisten ympäristönsuojelumääräysten mukaista hävittämistä varten.
	Tutustu käyttöohjeisiin	Loukkaantumisaaran vähentämiseksi käyttäjän tulee lukea huolellisesti tämä käyttöohje ennen tämän tuotteen käyttämistä.
	Sähköiskuvaara!	Irrota virtajohto pistorasiasta, jos johto on vahingoittunut tai sotkussa.
	Älä anna työkalun kastua sateessa	Älä jätä työkalua ulos tai altista sitä sateelle.
	Käytä suojalaseja	Suojaa näkösi käyttämällä suojalaseja.
	Äänentaso-merkintä	Työkalusi äänitaso on yli 96 dB.
	PIDÄ KAIKKI SIVULLISET LOITOLLA.	PIDÄ KAIKKI SIVULLISET LOITOLLA.

1. TÄRKEITÄ TURVAOHJEITA

Näiden turvaohjeiden tarkoituksena on kiinnittää käyttäjän huomio mahdollisiin vaaratekijöihin.

Turvallisuussymboleihin ja niiden selityksiin tulee kiinnittää asianmukaista huomiota. Turvallisuutta koskevat varoitukset eivät poista vaaroja. Käytä aina kaikkia tarvittavia suojaruosteita, esimerkiksi suojuksia, vaikka noudattaisiin kaikkia turvallisuusohjeita ja varoituksia.



TURVALLISUUSSYMBOLI: Merkinä varoituksesta. Voidaan käyttää yhdessä muiden symbolien tai kuvien kanssa.



VAROITUS: Perehdy laitteen säätimiin ja asianmukaiseen käyttöön.



VAROITUS: Turvallisuutta koskevien varoitusten huomiotta jättäminen voi johtaa vakaviin henkilövahinkoihin. Noudattamalla turvallisuusohjeita pienennät tulipalo-, sähköisku- ja loukkaantumiskärsiä. Säilytä tämä käyttöohje ja tarkista siitä turvaohjeet tarvittaessa. Opasta muita käyttäjiä työkalun käytössä käyttööppaan ohjeiden mukaan.



VAROITUS: Älä koskaan käytä siimaleikkuria, jos turvasuojus ei ole asianmukaisesti asennettu. Tämän varoituksen noudattamatta jättäminen saattaa aiheuttaa vakavia henkilövahinkoja.



VAROITUS: Tämä laite tuottaa toimiessaan sähkömagneettisen kentän. Tämä kenttä voi tietyissä oloissa häiritä aktiivisia tai passiivisia lääketieteellisiä apuvälineitä. Vakavan vammautumisen tai jopa kuoleman vaaran takia suosittelemme, että tällaisia apuvälineitä käyttävät henkilöt varmistavat ennen tämän laitteen käyttämistä lääkäriltään tai apuvälineensä valmistajalta, että laitteen käyttäminen on turvallista.



VAROITUS: Mitä tahansa työkalua käytettäessä on mahdollista, että käyttäjän silmiin lentää vierasesineitä, jotka voivat aiheuttaa vakavan silmävaurion. Ennen kuin aloitat työkalun käyttämisen, pue sivusuojilla varustetut suojalasit päällesi tai käytä kasvosuojusta tarvittaessa. Suosittelemme Wide Vision -suojanaamaria silmälasien päällä käytettäväksi tai tavallisia sivusuojilla varustettuja suojalaseja.

1. Tämä laite ei ole tarkoitettu lasten tai sellaisten henkilöiden käytettäväksi, joiden fyysiset, sensoriset tai henkiset kyvyt tai kokemuksen tai tiedon puute estävät heitä käyttämästä laitetta turvallisesti, ellei heidän turvallisuudestaan vastaava henkilö valvo heitä tai opasta heitä laitteen käytössä.
2. Lapsia tulee pitää silmällä, jotta he eivät pääse leikkimään laitteella.
3. Lue ohjeet huolellisesti.
4. Perehdy laitteen säätimiin ja asianmukaiseen käyttöön.
5. Tarkista ennen käyttöä, ettei virtajohtossa tai jatkajohtossa ole merkkejä vioittumisesta tai ikääntymisestä.
6. Jos johto vioittuu käytön aikana, irrota pistoke pistorasiasta välittömästi. **ÄLÄ KOSKE JOHTOON, ENNEN KUIN PISTOKE ON IRROTETTU PISTORASIASTA.**
7. Älä käytä siimaleikkuria, jos johdoissa on vaurioita tai kulumaa.
8. Varoitus: Leikkuupää jatkaa pyörimistä moottorin sammuttamisen jälkeen.
9. Pidä jatkojohto poissa leikkuupään ulottuvilta.

2. YLEISET VAROTOIMET (kuva 1)

- | | |
|------------------------|---------------------|
| 1. Suojalukituspainike | 6. Liipaisinkytkin |
| 2. Apukädensija | 7. Putki |
| 3. Lukitusnappi | 8. Moottorin kotelo |
| 4. Säätopainike | 9. Turvasuojus |
| 5. Pääkädensija | |

10. Käytä suojalaseja tai silmäsuojusta.
11. Älä anna lasten tai näihin ohjeisiin perehtymättömien henkilöiden käyttää laitetta.
12. Lopeta laitteen käyttö, jos lähistöllä on muita henkilöitä (etenkin lapsia) ja lemmikkieläimiä.
13. Käytä laitetta vain päivänvalossa tai kirkaassa keinovalossa.
14. Tarkista laitteen kunto ja korjaa mahdolliset vauriot aina ennen käyttöä ja laitteen saaman iskun jälkeen.
15. Älä koskaan käytä laitetta, jos suojukset ovat vaurioituneet tai ne on poistettu.
16. Pidä kätesi ja jalkasi kaukana leikkuupäästä erityisesti, kun käynnistät työkalun.
17. Varo, ettet loukkaa itseäsi leikkaussiiman katkaisun tarkoitettuihin välineisiin. Kun olet vetänyt uuden siiman oikeaan mittaansa, palauta laite aina normaaliin toimintatilaan ennen virran kytkemistä siihen.
18. Älä koskaan kiinnitä laitteeseen metallisia leikkuuteriä.
19. Älä käytä muita kuin valmistajan toimittamia tai suosittelemia varaosia tai lisävarusteita.
20. Irrota laitteen virtajohto ennen laitteen tarkistamista, puhdistamista tai huoltoa tai kun laitetta ei käytetä.
21. Varmista, että ilmanvaihtoaukot eivät tukkeudu.
22. Jos laitteen merkinnöissä on käytetty symboleja, niiden merkitys kerrotaan.
23. Irrota leikkurin virtajohto pistorasiasta aina, kun se ei ole käytössä.
24. Kun et käytä laitetta, säilytä se lasten ulottumattomissa.
25. Vain valtuutettu huoltoliike saa korjata verkkovirralta toimivia siimaleikkureita.
26. Jos haluat tehdä korjaus- tai huoltotoimen, jota ei ole mainittu tässä ohjeessa, ota yhteyttä valtuutettuun huoltoliikkeeseen.
27. Käytä vain valmistajan suosittelemia varaosia ja tarvikkeita.



Makitan jatkuvan tutkimus- ja kehitysohjelman vuoksi tuotteen toiminnot tai tekniset ominaisuudet voivat muuttua ilman ennakoilmoitusta.

Lisävarusteet

- Vyö
- Suojalasit

3. TEKNISET TIEDOT

Malli	UR3000
Nimellisjännite:	230 - 240 V~
Nimellistaajuus:	50 - 60 Hz
Nimellisteho:	450 W
Joutokäyntinopeus:	9 000 min ⁻¹
Leikkausleveys:	300 mm
Siiman koko:	Φ1,65 mm
Äänenpainetaso käyttäjän tasolla:	75,1 dB (A) K=3 dB (A)
Taattu äänitehotaso:	96 dB (A)
Tärinä:	2,73 m/s ² K=1,5 m/s ²
Mitat (P/L/K):	1 016 - 1 256 / 301 / 262 mm
Nettopaino:	2,6 kg

4. OSIEN KIINNITTÄMINEN

Siimaleikkurin kaikkia osia ei ole asennettu paikalleen leikkurin ostohetkellä. Asenna ne paikalleen seuraavasti:

4-1 Turvasuojuksen asentaminen

Kiinnitä turvasuojus moottorin koteloon (**kuvat 2 ja 3**).

1. Aseta turvasuojus paikalleen moottorin koteloon.
2. Kierrä turvasuojus oikeaan asentoon.
3. Kiinnitä turvasuojus moottorin koteloon ruuvilla.



VAROITUS: Varo, ettet loukkaa itseäsi leikkusuiman katkaisuun tarkoitettuun suojuksen terään. Kun olet vetänyt uuden siiman oikeaan mittaansa, palauta siimaleikkuri aina normaaliin toimintatilaan ennen virran kytkemistä siihen.



VAROITUS: Älä koskaan kiinnitä metallisia leikkuuteriä.



VAROITUS: Älä koskaan käytä laitetta, jos turvasuojus ei ole asianmukaisesti asennettu. Tämän varoituksen noudattamatta jättäminen saattaa aiheuttaa vakavia henkilövahinkoja.

4-2 Apukädensijan asentaminen

1. Kiinnitä apukädensija kiinnikkeeseen. (**kuva 4**)
2. Kiinnitä pultti kädensijan kiinnikkeessä ja kädensijassa oleviin reikiin. Kierrä sitten lukitusnappi pultin päähän, mutta älä kierrä sitä kiinni. (**kuva 5**)
3. Aseta laitteen leikkuupää maahan ja säädä apukädensija itsellesi mukavaan asentoon. (**kuva 6**)
 - 3a. Paina säätöpainiketta ja säädä putken pituutta.
 - 3b. Kierrä apukädensija itsellesi sopivaan kulmaan.
4. Kiristä apukädensija kiertämällä lukitusnappia.

5. KÄYNNISTYS

Ennen kuin käynnistät siimaleikkurin, työnnä jatkojohto pääkädensijan aukkoon. (**kuvat 7 ja 8**)

Ota tukeva ote leikkurista ja nosta leikkuri leikattavan ruohon yläpuolelle. Paina sitten ylemmän kädensijan suojalukituspainiketta ja liipaisinkytkintä.

Kun haluat sammuttaa leikkurin, vapauta liipaisinkytkin. (**kuva 9**)



VAROITUS: Kun käynnistät moottorin, varmista, että jalkasi ja kätesi ovat kaukana leikkuupäästä.

6. SIIMALEIKKURIN KÄYTTÄMINEN VIIMEISTELYLEIKKURINA

Kun haluat viimeistellä ajoteiden ja polkujen reunoja, vaihda siimaleikkuri viimeistelyleikkuritilaan.

1. Pidä toisella kädellä kiinni siimaleikkurin putkesta ja paina kiertöpainiketta toisella kädellä. (**kuva 10**)
2. Kierrä putkea 180°, kunnes se lukittuu viimeistelyleikkuritilaan. (**kuva 11**)



VAROITUS: Jotta laite ei käynnisty tahattomasti ja aiheuta mahdollisesti vakavia vammoja, irrota aina virtajohto pistorasiasta ennen putken kiertämistä.

7. LEIKKUUSIIMAKASETIN VAIHTAMINEN

Siimaleikkurissa on kertakäyttöinen leikkusuimakasetti, jonka ansiosta siimaa ei tarvitse itse kiertää kelalle.

Vaihda tyhjä leikkusuimakasetti seuraavasti:

1. Paina molempia kelan pitimen lukitusosalpoja, vedä se ulos leikkuupäästä (**kuva 12**) ja irrota tyhjä kela (**kuva 13**).
2. Irrota jousi ja kupu tyhjästä kelasta ja asenna ne uuteen kelaan. Vedä sitten molemmat leikkusuimat läpi kuvun aukosta. (**kuva 14**)
3. Aseta uusi kela kelan pitimeen, paina kupu paikalleen ja lukitse se lukitusosalvoilla. (**kuva 15**)

8. LEIKKUUSIIMAN LISÄÄMINEN

Voit lisätä leikkuusiimaa seuraavasti:

1. Irrota laitteen virtajohto pistorasiasta.
2. Irrota tyhjä kela. **(kuvat 12 ja 13)**
3. Katkaise uusi leikkuusiima alle 8 metrin pituiseksi ja taita se keskeltä kahteen osaan.
4. Pujota leikkuusiiman lenkin kela keskellä olevaan loveen, joka on leikkuusiimalle tarkoitettujen kahden kanavan välissä. Kelassa oleva nuoli näyttää leikkuusiiman kiertosuunnan. **(kuva 16)**
5. Kierrä leikkuusiima tasaisesti A-osan (10) ympäri. Kierrä siima tiukasti ja tasaisesti, jotta siimakelan pinta ei ole epätasainen. **(kuva 17)**
6. Kierrä lähes koko siima kelalle, mutta jätä viimeiset 100 mm kiertämättä. Kiinnitä siiman pää tilapäisesti kelan reunassa olevaan pidikkeeseen (12). **(kuva 18)**
7. Kierrä leikkuusiima vastaavalla tavalla B-osan (11) ja kiinnitä siiman pää tilapäisesti. **(kuvat 17 ja 19)**
8. Kiinnitä kela kupuun siten, että leikkuusiiman (13) kiinnityskohdat vastaavat kuvun (15) sivuissa olevia uria (14). **(kuva 20)**
9. Irrota leikkuusiiman päät tilapäisistä kiinnityksistä ja kiinnitä ne kuvun sivuissa oleviin uriin. **(kuva 21)**



VAROITUS: Varmista, että kupu on tiukasti kiinni kelan pitimessä. Jos kupu ei ole tiukasti kiinni, osat saattavat sinkoutua irti ja aiheuttaa vakavia vammoja.

10. Varmista, että jousi on paikallaan. Työnnä kupu (15) kelan pitimeen (16). Varmista, että salvat asettuvat oikein kannen päälle. **(kuvat 14, 15 ja 22)**
11. Paina kelan painiketta (18) ja vedä leikkuusiiman toinen pää ulos. Varmista, että siima tulee ulos. **(kuvat 22 ja 23)**
12. Vedä lopuksi siiman toinen pää ulos painamatta kelan painiketta. Varmista, että siima tulee ulos.

9. LEIKKUUSIIMAN SYÖTTÄMINEN

Katkennut tai kulunut leikkuusiima ei leikkaa tehokkaasti. Voit parantaa leikkaustehoa napauttamalla kelan painiketta kevyesti maata vasten leikkurin käydessä täydellä nopeudella. Lisää leikkuusiimaa tulee automaattisesti ulos leikkuupäästä. Suojuksen alla oleva leikkuusiiman katkaisuterä (17) katkaisee siiman automaattisesti oikeaan mittaan. **(kuvat 22 ja 24)**



HUOMAUTUS: Jos leikkuri osuu kiviin tai karkeisiin kohteisiin, esimerkiksi aitaan, betoniin tai kiviin, leikkuusiima voi katketa. Jos leikkuusiima katkeaa, syötä lisää siimaa edellä kerrottujen ohjeiden mukaisesti.

10. KÄYTTÖOHJEET

Käynnistä siimaleikkuri ennen kuin viet leikkuupään leikattavan ruohon lähelle.

Leikkaa ruoho liikuttamalla leikkuria vasemmalta oikealle. Etene hitaasti ja pidä leikkuria noin 30°:n kulmassa. Leikkaa korkea ruohikko kerroksittain ylhäältä aloittaen. Leikkaa vain lyhyt osuus ruohosta kerrallaan.

Älä leikkaa märkää nurmikkoa.

Älä anna siiman osua kiviin kohteisiin (kiviin, seiniiin, aitoihin ym.), sillä se kuluttaa siimaa nopeasti. Käytä suojuksen reunaa apuna leikkurin etäisyyden arvioinnissa.



VAROITUS: Älä lyö leikkurin siimapäätä maata vasten liiallisella voimalla syöttäessäsi lisää siimaa. Jos leikkuusiimaa ei tule ulos, kun leikkuupäätä napautetaan kevyesti maata vasten leikkurin pyöriessä, leikkuusiima voi olla loppussa tai katkennut tai sokeutunut kasetin sisään. **HUOMAUTUS:** Leikkuupään lyöminen liiallisella voimalla maata vasten voi vaurioittaa leikkuupäätä.



VAROITUS: Leikkuupää pyörii vielä muutaman sekunnin ajan moottorin sammuttamisen jälkeen.

11. JATKOJOHDOT

Käytä vain ulokäyttöön tarkoitettuja PVC-jatkojohtoja, tavallisia PVC-johtoja tai joustavia kovaan käyttöön tarkoitettuja kumpinnoitteisia johtoja, joiden poikkipinta-ala on vähintään 0,75 mm².

Tarkista ennen käyttöä, että virta- ja jatkojohtoissa ei näy merkkejä vaurioista. Katkaise virta, jos johdossa näkyy merkkejä voittumisesta tai ikääntymisestä. Jos johto voittuu käytön aikana, irrota pistoke pistorasiasta välittömästi. **ÄLÄ KOSKE JOHTOON, ENNEN KUIN PISTOKE ON IRROTETTU PISTORASIESTA.** Älä käytä laitetta, jos johto on voittunut tai kulunut. Pidä jatkojohto poissa leikkuuterien ulottuvilta.



VAROITUS: Varmista, etteivät ilmanvaihtouukot tukkeudu.

12. KUNNOSSAPITO

1. Irrota käytön jälkeen virtajohto pistorasiasta ja tarkista laitteen kunto.
2. Kun et käytä laitetta, säilytä se lasten ulottumattomissa.
3. Vain valtuutettu huoltoilike saa korjata verkkovirralta toimivia siimaleikkureita.
4. Jos haluaa tehdä korjaus- tai huoltotoimen, jota ei ole mainittu tässä ohjeessa, ota yhteyttä valtuutettuun huoltoilikkeeseen.
5. Käytä vain valmistajan suosittelemia varaosia ja tarvikkeita.

13. YMPÄRISTÖYSTÄVÄLLINEN HÄVITTÄMINEN



Sähkö- ja elektroniikkalaiteromua koskevan EU-direktiivin 2002/96/EY ja sen maakohtaisten sovellusten mukaisesti käytetyt sähkötyökälyt on toimitettava erillisiin keräyspisteisiin ja ohjattava ympäristöystävälliseen kierrätykseen.

Vaihtoehoton hävittäminen: Jos sähkötyökäly on omistaja ei palauta työkalua valmistajalle, hän vastaa sen toimittamisesta asianmukaiseen keräyspisteeseen, josta

laite käsitellään kierrätystä varten kansallisten
kierrätyslakien ja -määräysten mukaisesti.
Yllä sanottu ei koske lisävarusteita ja työkaluja, joissa ei
ole sähkö- tai elektroniikkaosia.

EY-vaatimustenmukaisuusvakuutus

**Vastuullinen valmistaja Makita Corporation ilmoittaa
vastaavansa siitä, että seuraava(t) Makitan
valmistama(t) kone(et):**

Laitteen tunnistetiedot: Siimaleikkuri

Mallinro/tyyppi: UR3000

Tekniset tiedot: katso TEKNISET TIEDOT -taulukkoa.
ovat sarjavalmisteisista ja

**täyttävät seuraavien eurooppalaisten direktiivien
vaatimukset:**

2000/14/EY, 2004/108/EY, 2006/42/EY, 2006/95/EY
ja että ne on valmistettu seuraavien standardien tai
standardoitujen asiakirjojen mukaisesti:

EN55014, EN60335, EN61000, EN62233

Teknisen dokumentaation ylläpidosta vastaa valtuutettu

Euroopan-edustajamme, jonka yhteystiedot ovat:

Makita International Europe Ltd.

Michigan Drive, Tongwell,

Milton Keynes, MK15 8JD, England

Direktiivissä 2000/14/EY edellytetty vastaavuuden
arviointitoimenpide suoritettiin liitteen VIII mukaisesti.

Ilmoitettu laitos:

TÜV SÜD Industrie Service GmbH

Westendstraße 199, D-80686 München

Tunnistenumero: 0036

Mitattu äänitehotaso: 92,7 dB (A)

Taattu äänitehotaso: 96 dB (A)

17. 12. 2010



Tomoyasu Kato

Director

Makita Corporation

3-11-8, Sumiyoshi-cho,

Anjo, Aichi, JAPAN

ČESKY (Originální návod)

Děkujeme vám za volbu našich výrobků. Jsme přesvědčeni, že vysoká kvalita našeho zařízení vám přinese spokojenost a jistotu dlouhodobě spolehlivého provozu.

Než začnete zařízení používat, přečtěte si pečlivě celou tuto příručku, jež byla cíleně vytvořena, aby vám poskytla všechny nezbytné informace ke správnému používání v souladu se základními bezpečnostními požadavky.



SYMBOLY

Na zařízení mohou být použity některé z následujících symbolů. Všimněte si jich a naučte se rozumět jejich významu, neboť správná interpretace těchto symbolů vám umožní bezpečnější a efektivnější obsluhu nářadí.

SYMBOLY	VÝZNAM	VYSVĚTLENÍ
	Značka CE	Výrobek splňuje požadavky a předpisy Evropského společenství (nyní Evropské unie).
	Konstrukce třídy II	Konstrukce s dvojitou izolací.
	ZNAČKA WEEE	UPOZORNĚNÍ! Vyřazené elektrické nářadí nepatří do domovního odpadu. Zařízení je třeba dodat do obecního sběrného dvora k ekologické likvidaci v souladu s místními předpisy.
	Přečtěte si návod k obsluze	V rámci omezení nebezpečí zranění je před použitím výrobku nutné, aby si uživatel přečetl návod k obsluze a porozuměl jeho obsahu.
	Pozor na úraz elektrickým proudem!	Jestliže je kabel poškozený nebo zamotaný, odpojte elektrickou zástrčku.
	Nevystavujte nářadí dešti	Nenechávejte zařízení venku či na dešti.
	Používejte ochranu zraku	K omezení nebezpečí zranění očí používejte ochranu zraku!
	Značka hladiny hluku	Hlučnost nářadí nepřesahuje hodnotu 96 dB.
	NEPRACUJTE V BLÍZKOSTI ŽÁDNÝCH PŘIHLÍŽEJÍCÍCH OSOB!	NEPRACUJTE V BLÍZKOSTI ŽÁDNÝCH PŘIHLÍŽEJÍCÍCH OSOB!

1. DŮLEŽITÉ BEZPEČNOSTNÍ POKYNY

Cílem bezpečnostních pravidel je obrátit vaši pozornost k možnému nebezpečí. Bezpečnostní symboly a příslušná vysvětlení vyžadují vaši pozornost a správné pochopení. Samotná bezpečnostní upozornění však žádné nebezpečí neodstraní. Vždy používejte správné bezpečnostní vybavení jako je například kryt i přesto, že respektujete bezpečnostní pokyny a varování.



SYMBOL BEZPEČNOSTNÍHO

UPOZORNĚNÍ: Naznačuje výstrahu nebo může být varování použito ve spojení s jinými symboly či obrázky.



VAROVÁNÍ: Obeznamte se s ovládacími prvky a správným používáním zařízení.



VAROVÁNÍ: Zanedbání dodržování bezpečnostních varování může vyústit ve vážné zranění obsluhy či okolních osob. Důsledným dodržováním bezpečnostních opatření omezíte nebezpečí požáru, úrazu elektrickým proudem a zranění osob. Příručku si uschovejte často do ní nahlízejte – zabezpečte tak trvale bezpečný provoz nebo poučení jiných osob, jež mohou se zařízením pracovat.



VAROVÁNÍ: Sekačku nikdy nepoužívejte bez správně nasazeného krytu. Nedodržení tohoto varování může vést k vážným zraněním.



VAROVÁNÍ: Při provozu tohoto zařízení vzniká elektromagnetické pole. Toto pole může za určitých okolností rušit činnost aktivních či pasivních lékařských implantátů. Osobám s lékařskými implantáty proto v zájmu omezení nebezpečí vážného poškození zdraví nebo i smrtelného úrazu doporučujeme, aby se před používáním tohoto zařízení poradily s lékařem nebo výrobcem příslušného implantátu.



VAROVÁNÍ: Při práci s jakýmkoli nářadím může dojít k vymrštění cizorodých předmětů do očí, jež mohou způsobit ztrátu zraku nebo vážné zranění očí. Před zahájením práce s elektrickým nářadím si vždy nasadte ochranné či bezpečnostní brýle s postranními kryty a v případě potřeby použijte celoobličejový štít. Uživatelům dioptrických brýlí doporučujeme použít obličejový štít nebo standardní bezpečnostní brýle s postranními kryty.

1. Toto zařízení není určeno k používání osobami (včetně dětí) s omezenými fyzickými, smyslovými či duševními schopnostmi nebo s nedostatečnými zkušenostmi a znalostmi, jestliže nejsou pod dohledem nebo pokud nebyly ohledně používání zařízení poučeny osobou odpovědnou za jejich bezpečnost.
2. Na děti je třeba dohlédnout, aby si se zařízením nehrály.
3. Pečlivě si přečtěte pokyny.
4. Obeznamte se s ovládacími prvky a správným používáním zařízení.
5. Před použitím zkontrolujte napájecí i prodlužovací kabely, zda nejsou žádné známky poškození či zestárnutí.
6. Pokud během práce dojde k poškození kabelu, ihned jej odpojte od zdroje napájení. **PŘED ODPOJENÍM OD ZDROJE NAPÁJENÍ SE KABELU NEDOTÝKEJTE.**
7. Vyžinač trávníků (zacišťovač okrajů trávníků) nepoužívejte, jestliže jsou poškozené či opotřebené kabely.

2. OBECNÝ POPIS DÍLŮ (Obr. 1)

- | | |
|--------------------------------------|------------------|
| 1. Bezpečnostní zajišťovací tlačítko | 6. Spoušť |
| 2. Pomocné držadlo | 7. Tyč |
| 3. Pojistný knoflík | 8. Skříň motoru |
| 4. Seřizovací knoflík | 9. Ochranný kryt |
| 5. Hlavní držadlo | |

Příslušenství:

- Opasek
- Ochranné brýle

8. Varování: Sekací prvky se po vypnutí motoru nadále setrvačně otáčejí.
9. Prodlužovací kabely vedte mimo dosah sekacích prvků.
10. Používejte ochranné či bezpečnostní brýle.
11. Nikdy nedovolte, aby zařízení obsluhovaly děti nebo osoby neobeznámé s těmito pokyny.
12. Se zařízením nikdy nepracujte v blízkosti osob, zvláště pak dětí a domácích zvířat.
13. Pracujte pouze za denního světla nebo při dobrém umělém osvětlení.
14. Před použitím či po jakýchkoli utrpených nárzech zařízení zkontrolujte, zda nejsou žádné známky opotřebenosti či poškození, a v případě nutnosti zajistěte opravu.
15. Nikdy nepracujte se zařízením s poškozenými kryty ani bez krytů nasazených na místě.
16. Ruce a nohy nikdy nepřibližujte k sekacím prvkům, zvláště pak při zapínání motoru.
17. Pozor na zranění zařízením k připezování délky struny. Po doplnění nové sekací struny sekačku před zapnutím vždy uveďte do normální provozní polohy.
18. Nikdy nepoužívejte kovové sekací prvky.
19. Nikdy nepoužívejte náhradní díly či příslušenství, jež nebylo poskytnuto či doporučeno výrobcem.
20. Před prováděním kontroly, čištění či jiných prací, nebo jestliže nářadí nepoužíváte, odpojte jej ze zásuvky.
21. Zajistěte, aby ventilační otvory zůstaly vždy průchodné a neucpané.
22. Tam, kde je zařízení označeno symboly piktogramů, je třeba objasnit jejich funkci.
23. Při ponechání sekačky bez dozoru ji vždy odpojte ze zásuvky.
24. Jestliže zařízení nepoužíváte, uložte je mimo dosah dětí.
25. Síťové elektrické sekačky je třeba opravovat pouze v autorizovaném servisním středisku.
26. O jiné než v této příručce popsané opravy či seřízení požádejte autorizované servisní středisko.
27. Používejte pouze výrobce doporučené náhradní díly a příslušenství.



Díky neustálému úsilí o vylepšování výrobků společnosti Makita mohou být funkce či technické údaje změněny i bez předchozího upozornění.

3. TECHNICKÉ ÚDAJE

Model	UR3000
Jmenovité napětí:	230 - 240 V~
Jmenovitý kmitočet:	50 - 60 Hz
Jmenovitý výkon:	450 W
Otáčky při volnoběhu:	9 000 min ⁻¹
Šířka záběru:	300 mm
Průměr struny:	Φ1,65 mm
Hladina akustického tlaku v místě obsluhy:	75,1 dB (A) K=3 dB (A)
Zaručená hladina akustického výkonu:	96 dB (A)
Vibrace:	2,73 m/s ² K=1,5 m/s ²
Rozměry (D/ Š/ V):	1 016 - 1 256 / 301 / 262 mm
Čistá hmotnost:	2,6 kg

4. NÁVOD K MONTÁŽI

Sekačka se dodává s některými nesmontovanými díly. Při montáži těchto dílů postupujte následovně:

4-1 Sestava ochranného krytu

Ochranný kryt namontujte na plášť motoru. (Obr. 2 a 3)

1. Ochranný kryt umístěte na plášť motoru.
2. Natočte jej do správné polohy.
3. Ochranný kryt upevněte k plášti motoru šroubem.



VAROVÁNÍ: Dejte pozor, abyste se neporanili o přirezávací nůž umístěný v krytu k přirezávání délky struny. Po doplnění nové struny sekačku před zapnutím vždy uveďte do normální provozní polohy.



VAROVÁNÍ: Nikdy nepoužívejte kovové sekačí prvky.



VAROVÁNÍ: Zařízení nikdy nepoužívejte bez správně nasazeného ochranného krytu. Nedodržení tohoto varování může vést k vážným zraněním.

4-2 Sestava pomocného držadla

1. Pomocné držadlo upevněte ke třmenu. (Obr. 4)
2. Děrami třmenu držadla a držadlem prostrčte šroub, přitáhněte jej pojistnou maticí, avšak nedotahujte jej zcela. (Obr. 5)
3. Hlavici zařízení položte na zem a seřídte výšku pomocného držadla do pohodlné polohy vzhledem k druhému držadlu: (Obr. 6)
 - 3a. Stiskněte seřizovací knoflík a nastavte si požadovanou délku tyče.
 - 3b. Pomocné držadlo natočte do požadovaného vyhovujícího úhlu.
4. Dotažením pojistného knoflíku pomocné držadlo zajistěte.

5. SPOUŠTĚNÍ ZAŘÍZENÍ

Před spuštěním sekačky upevněte prodlužovací kabel do otvoru v hlavním držadle. (Obr. 7 a 8)

Sekačku pevně uchopte, nedotýkejte se se přitom sekané trávy a stiskněte bezpečnostní zajišťovací tlačítko a spoušť na horní straně držadla.

Sekačku vypnete uvolněním spouště. (Obr. 9)



VAROVÁNÍ: Motor spouštějte pouze pokud máte ruce i nohy mimo dosah vyžínacího nástroje.

6. VYUŽITÍ SEKAČKY JAKO ZAČIŠŤOVAČE OKRAJŮ TRÁVNÍKŮ

K začištění okrajů vjezdů a chodníků můžete sekačku upravit do režimu začišťovače následujícím způsobem:

1. Jednou rukou přidrže tyč sekačky a druhou rukou stiskněte tlačítko natočení. (Obr. 10)
2. Otočte tyčí o 180°, až se zajistí v poloze začišťovače okrajů. (Obr. 11)



VAROVÁNÍ: K zamezení náhodnému spuštění, jež může způsobit vážná zranění, odpojte zařízení před natáčením tyče vždy od napájecího kabelu.

7. VÝMĚNA KAZETY SE SEKACÍ STRUNOU

Sekačka je opatřena jednorázovou kazetou se sekací strunou řešící nepříjemné navíjení nové sekací struny.


Při výměně prázdné kazety na sekací strunu postupujte následovně:

1. Stiskněte obě uvolňovací západky na držáku cívký, vysuňte ji ven z korunky (Obr. 12) a prázdnou cívký vytáhněte ven. (Obr. 13)
2. Pružinu a korunku z prázdné cívký vložte do nové cívký a dvě sekací struny nové cívký provlékněte oky korunky. (Obr. 14)
3. Novou cívký vložte do držáku cívký a pak korunku zamáčkněte dolů, až se zajistí na místě uvolňovacími západkami. (Obr. 15)

8. DOPLNĚNÍ SEKACÍ STRUNY

Při doplňování sekací struny postupujte následovně:


1. Nářadí odpojte ze zásuvky.
2. Vyměňte prázdnou cívku. **(Obr. 12 a 13)**
3. Odřízněte max. 8 m nové struny a uprostřed ji ohněte.
4. Střed nové sekací struny zahákněte do výřezu ve středu cívky mezi 2 kanálky pro sekací strunu. Šípka na cívce vyznačuje směr navíjení sekací struny. **(Obr. 16)**
5. Sekací strunu řádně naviňte kolem profilu A **(10)**. Strunu navíjejte pevně a rovnoměrně, aby nebyla plocha navinuté struny kostrbatá. **(Obr. 17)**
6. Navíňte strunu kompletně kromě zhruba 100 mm a konec dočasně zahákněte přes držák cívky **(12)** na straně cívky. **(Obr. 18)**
7. Stejným způsobem navíňte sekací strunu také na profil B **(11)** a konec nechte dočasně zaháknutý. **(Obr. 17 a 19)**
8. Cívkou nasadíte do korunky tak, aby dočasně zaháknutá poloha sekací struny **(13)** dosedla do odpovídajících výřezů **(14)** na straně korunky **(15)**. **(Obr. 20)**
9. Odhákněte konce sekací strunky z dočasné polohy a protáhněte je výřezy na straně korunky. **(Obr. 21)**

 **VAROVÁNÍ:** Ujistěte se, zda je korunka správně zajištěna v držáku cívky. Jestliže korunku správně nezajistíte, mohou se díly rozlétnout a způsobit vážné zranění.

10. Ujistěte se, zda je nasazená pružina. Korunku **(15)** natlačte do držáku cívky **(16)**. Ujistěte se, zda západky zcela dosedly do korunky. **(Obr. 14, 15 a 22)**
11. Stiskněte tlačítko cívky **(18)** a zatáhněte za jeden konec sekací struny. Ujistěte se, zda se struna povytáhla. **(Obr. 22 a 23)**
12. Nakonec potáhněte za druhý konec sekací struny, aniž byste mačkali tlačítko cívky. Ujistěte se, zda se struna povytáhla.

9. PODÁVÁNÍ SEKACÍ STRUNY

Krátké či opotřebené struny sekají s nižší účinností. Zlepšení účinnosti podáním nové struny provedete lehkým tlakem tlačítka cívky o zem ve chvíli, kdy sekačka běží v plných otáčkách. Tím se automaticky odvine delší struna. Přirezávací nůž **(17)** pod krytem sekací struny během provozu automaticky přirizne na správnou délku. **(Obr. 22 a 24)**

 **POZNÁMKA:** Kontakt s tvrdými či hrubými předměty, (například ploty, beton či kameny skryté ve vysoké trávě) mohou způsobit utržení sekací struny. Při utržení sekací struny použijte postup podávání struny.

10. POKYNY K POUŽITÍ

Než se přiblížíte k sekané trávě, spusťte sekačku. Trávu sekejte pohybem sekačky zprava doleva, postupujte pomalu vpřed a sekačku držte nakloněnou asi v 30° úhlu. Vysokou trávu je třeba sekat postupně, vždy shora. Řezy by měly být krátké.

Nesekejte vlhkou či mokrou travu.

Zamezte rychlému vypotřebování struny klepáním sekačkou o tvrdé předměty (kameny, stěny, ploty atd.). K udržení správné vzdálenosti sekačky využijte okraj krytu.



VAROVÁNÍ: Při klepání podávací hlavou sekačky o zem za účelem povysunutí sekací struny nepoužívejte přílišnou sílu. Jestliže se sekací struna po klepnutí podávací hlavou spuštěné sekačky o zem nevysune, došlo pravděpodobně k zamotání struny, k jejímu přerušení uvnitř kazety nebo se sekací struna vypotřebovala.

POZNÁMKA: Příliš silné klepání hlavou sekačky o zem za účelem povysunutí struny může způsobit poškození podávací hlavy.



VAROVÁNÍ: Sekací hlava se několik vteřin po vypnutí motoru stále otáčí.

11. PRODLUŽOVACÍ KABELY

Používejte pouze prodlužovací kabely pro venkovní použití, například PVC kabely pro běžné použití nebo flexibilní kabely s pryžovým pláštěm pro náročný provoz s průřezem vodičů minimálně 0,75 mm².

Před použitím zkontrolujte napájecí i prodlužovací kabely, zda nejeví známky poškození způsobené používáním, a poškozené či zestárlé kabely vyřadte. Pokud během práce dojde k poškození kabelu, ihned jej odpojte od zdroje napájení. **PŘED ODPOJENÍM OD ZDROJE NAPÁJENÍ SE KABELU NEDOTÝKEJTE.** Zařízení nepoužívejte, jestliže je kabel poškozený či opotřebený. Prodlužovací kabel ved'te mimo ostré hrany.



VAROVÁNÍ: Zajistěte, aby ventilační otvory zůstaly vždy průchodné a neucpané.

12. ÚDRŽBA

1. Po použití odpojte zařízení od sítě a zkontrolujte, zda není poškozeno.
2. Jestliže zařízení nepoužíváte, uložte je mimo dosah dětí.
3. Síťové elektrické sekačky je třeba opravovat pouze v autorizovaném servisním středisku.
4. O jiné než v této příručce popsané opravy či seřízení požádejte autorizované servisní středisko.
5. Používejte pouze výrobcem doporučené náhradní díly a příslušenství.

13. EKOLOGICKÁ LIKVIDACE



V souladu se směrnicí EU 2002/96/ES o elektrických a elektronických zařízeních a její implementací do národních zákonů musí být veškeré elektrické nářadí shromážděno odděleně k ekologické recyklaci. Alternativní likvidace: Jestliže vlastník elektrické nářadí výrobci neodvezdá, odpovídá za správnou likvidaci na určeném sběrném místě, kde bude zařízení připraveno k recyklaci v souladu s národními zákony a předpisy o recyklaci.

Tyto zásady se nevztahují na příslušenství a nářadí bez elektrických či elektronických dílů.

ES prohlášení o shodě

Společnost Makita Corporation jako odpovědný výrobce prohlašuje, že níže uvedené zařízení Makita:

Popis zařízení: Strunová sekačka

Č. modelu/typ: UR3000

Technické údaje: viz tabulka „TECHNICKÉ ÚDAJE“.

vychází ze sériové výroby

a vyhovuje následujícím evropským směrnicím:

2000/14/ES, 2004/108/ES, 2006/42/ES, 2006/95/ES
a bylo vyrobeno v souladu s následující normou či
normativním dokumentem:

EN55014, EN60335, EN61000, EN62233

Technická dokumentace je k dispozici u našeho
autorizovaného zástupce v Evropě:

Makita International Europe Ltd.

Michigan Drive, Tongwell,

Milton Keynes, MK15 8JD, England

Postup posuzování shody vyžadovaný směrnicí

2000/14/ES byl proveden v souladu s přílohou VIII.

Notifikovaná organizace:

TÜV SÜD Industrie Service GmbH

Westendstraße 199, D-80686 München

Identifikační číslo: 0036

Naměřená hladina akustického výkonu: 92,7 dB (A)

Zaručená hladina akustického výkonu: 96 dB (A)

17. 12. 2010



Tomoyasu Kato

Ředitel

Makita Corporation

3-11-8, Sumiyoshi-cho,

Anjo, Aichi, JAPAN

POLSKI (Oryginalna instrukcja)

Dziękujemy za wybór naszego produktu. Jesteśmy przekonani, że wysoka jakość naszego narzędzia spełni oczekiwania i zdobędzie Państwa uznanie podczas długiego okresu eksploatacji.

Przed rozpoczęciem użytkowania urządzenia należy uważnie zapoznać się z treścią bieżącej instrukcji, w której celowo przedstawiono rysunki i wszystkie informacje niezbędne do prawidłowej obsługi urządzenia zgodnie z podstawowymi zasadami bezpieczeństwa.



SYMBOLE

Niektóre z następujących symboli umieszczono na narzędziu. Należy zapoznać się z ich znaczeniem. Prawidłowa interpretacja tych symboli umożliwi bezpieczniejszą i bardziej efektywną pracę z narzędziem.

SYMBOLE	NAZWA	OBJAŚNIENIE
	Znak CE	Produkt spełnia wymagania dyrektywy obowiązujących na terenie Unii Europejskiej (dawniej Wspólnoty Europejskiej).
	II klasa izolacji	Izolacja podwójna.
	Znak WEEE	UWAGA! Zużyte elektronarzędzia nie mogą być utylizowane wraz z odpadami komunalnymi. Urządzenia elektryczne należy oddawać w punktach, gdzie są gromadzone w celu utylizacji w sposób przyjazny dla środowiska zgodnie z lokalnie obowiązującymi przepisami.
	Należy przeczytać instrukcję obsługi	Aby zmniejszyć ryzyko odniesienia obrażeń, przed użyciem narzędzia użytkownik powinien przeczytać i zrozumieć instrukcję obsługi.
	Ryzyko porażenia prądem elektrycznym!	Jeśli przewód zostanie uszkodzony lub zapłącze się, należy odłączyć wtyczkę od zasilania.
	Elektronarzędzia należy chronić przed deszczem	Nie wolno narażać narzędzia na działanie czynników zewnętrznych lub deszczu.
	Nosić okulary ochronne	Aby zmniejszyć ryzyko odniesienia obrażeń, należy stosować ochronę oczu!
	Oznaczenie poziomu hałasu	Hałas generowany przez narzędzie nie przekracza 96 dB.
	WSZELKIE OSOBY POSTRONNE NIE POWINNY ZBLIŻAĆ SIĘ DO NARZĘDZIA!	WSZELKIE OSOBY POSTRONNE NIE POWINNY ZBLIŻAĆ SIĘ DO NARZĘDZIA!

1. WAŻNE ZASADY BEZPIECZEŃSTWA

Zasady bezpieczeństwa mają zwrócić uwagę użytkownika na potencjalne zagrożenia. Symbole bezpieczeństwa oraz towarzyszące im objaśnienia wymagają szczególnej uwagi i zrozumienia. Ostrzeżenia dotyczące bezpieczeństwa nie eliminują żadnego zagrożenia. Poza postępowaniem zgodnie z ostrzeżeniami i instrukcjami bezpieczeństwa, zawsze należy stosować odpowiedni sprzęt ochronny, np. osłony.



SYMBOL OSTRZEGAJĄCY O

ZAGROŻENIU: Oznacza ważną uwagę lub ostrzeżenie; może występować wraz z innymi symbolami i rysunkami.



OSTRZEŻENIE: Należy poznać elementy sterowania i zasady właściwego użytkowania urządzenia.



OSTRZEŻENIE: Nieprzestrzeganie ostrzeżeń dotyczących bezpieczeństwa może spowodować poważne obrażenia u użytkownika lub osób trzecich. Należy zawsze przestrzegać środków ostrożności, aby zmniejszyć ryzyko pożaru, porażenia prądem i obrażeń. Należy zachować niniejszą instrukcję obsługi i często do niej sięgać, aby zapewnić bezpieczną obsługę urządzenia i w razie potrzeby poinstruować w tym zakresie inne osoby, które z niego korzystają.



OSTRZEŻENIE: Nie wolno używać wykaszarki bez prawidłowo zainstalowanej osłony. Nieprzestrzeganie tego ostrzeżenia może spowodować poważne obrażenia.



OSTRZEŻENIE: Podczas pracy maszyna wytwarza pole elektromagnetyczne. W pewnych warunkach pole to może zakłócać pracę aktywnych lub pasywnych implantów medycznych. Aby zmniejszyć ryzyko poważnych lub śmiertelnych obrażeń, zalecamy osobom z implantami medycznymi skonsultowanie się z lekarzem i producentem implantów medycznych przed przystąpieniem do obsługi tej maszyny.



OSTRZEŻENIE: Użytkowanie urządzenia może spowodować wyrzucanie przedmiotów - w przypadku, gdy dostaną się do oczu, mogą spowodować poważne uszkodzenie wzroku. Przed rozpoczęciem pracy należy zawsze założyć gogle lub okulary ochronne z bocznymi osłonami, a w razie potrzeby pełną maskę chroniącą twarz. Zalecamy stosowanie maski bezpieczeństwa „Wide Vision” nakładanej na okulary lub standardowych okularów ochronnych z bocznymi osłonami.

1. Opisywane urządzenie nie jest przeznaczone do użycia przez osoby (w tym dzieci) niebędące w pełni władz fizycznych, poznawczych lub umysłowych, bądź nieposiadające odpowiedniej wiedzy i doświadczenia, o ile osoba odpowiedzialna za ich bezpieczeństwo nie zapewni odpowiedniego nadzoru i nie przekaze wskazówek dotyczących użytkowania urządzenia.
2. Należy uważać, aby dzieci nie bawiły się urządzeniem.
3. Należy uważnie przeczytać niniejszą instrukcję.
4. Należy poznać elementy sterowania i zasady właściwego użytkowania urządzenia.
5. Przed użyciem należy sprawdzić, czy przewody zasilające i przedłużające nie wykazują śladów uszkodzenia lub zużycia.
6. Jeśli przewód zostanie uszkodzony podczas użytkowania urządzenia, należy go natychmiast odłączyć od zasilania. **NIE WOLNO DOTYKAĆ PRZEWODU PRZED JEGO ODŁĄCZENIEM OD ZASILANIA.**
7. Nie wolno używać wykaszarki do trawy (wykaszarki do żywopłotu), jeśli przewody są uszkodzone lub zużyte.
8. Ostrzeżenie: Elementy tnące obracają się nawet po wyłączeniu silnika.
9. Należy uważać, aby przewody przedłużające nie znalazły się w pobliżu noża.

2. WIDOK OGÓLNY (Fig. 1)

- | | |
|------------------------------------|---------------------------|
| 1. Przycisk blokady bezpieczeństwa | 6. Przycisk wyłącznika |
| 2. Uchwyt pomocniczy | 7. Rurka |
| 3. Pokrętko blokady | 8. Obudowa silnika |
| 4. Przycisk regulacji | 9. Osłona zabezpieczająca |
| 5. Uchwyt główny | |

Wyposażenie dodatkowe:

- Pas
- Okulary chroniące wzrok

10. Stosować gogle lub okulary ochronne.
11. Nie wolno dopuszczać, aby urządzenie było używane przez dzieci lub osoby, które nie zapoznały się z niniejszą instrukcją.
12. Nie wolno używać narzędzia, gdy w pobliżu znajdują się inne osoby, w szczególności dzieci oraz zwierzęta.
13. Urządzenia można używać tylko przy świetle dziennym lub odpowiednio silnym sztucznym oświetleniu.
14. Przed użyciem i po każdym upadku urządzenia należy sprawdzić oznaki uszkodzenia, zużycia i wykonać ewentualne naprawy.
15. Nie wolno uruchamiać narzędzia z uszkodzonymi lub zdjętymi osłonami.
16. Dłonie i stopy należy cały czas trzymać z dala od elementu tnącego, szczególnie podczas uruchamiania silnika.
17. Zachować uwagę, aby uniknąć obrażeń, jakie może spowodować urządzenie do przycinania żyłki tnącej. Po wyciągnięciu nowej linki tnącej, a przed włączeniem urządzenia, należy je ustawić w normalnym położeniu pracy.
18. Nie wolno montować metalowych elementów tnących.
19. Nie wolno używać części wymiennych ani akcesoriów nie dostarczonych czy zalecanych przez producenta.
20. Przed przystąpieniem do jakichkolwiek czynności kontrolnych, czyszczenia lub innych prac lub gdy urządzenie nie jest używane, należy koniecznie odłączyć zasilanie elektryczne.
21. Zawsze należy dbać, aby w otworach wentylacyjnych nie było zanieczyszczeń.
22. Jeśli do oznaczenia funkcji urządzenia użyto piktogramów, należy wyjaśnić ich znaczenie.
23. Zostawiając wykaszarkę bez nadzoru zawsze należy odłączać ją od zasilania.
24. Gdy urządzenie nie jest używane, należy je przechowywać poza zasięgiem dzieci.
25. Wykaszarki elektryczne należy naprawiać wyłącznie w autoryzowanym centrum serwisowym.
26. Wszelkie naprawy i regulacje inne, niż opisane w bieżącej instrukcji, należy wykonywać w autoryzowanym centrum serwisowym.
27. Należy stosować tylko części zamienne i akcesoria zalecane przez producenta.



Ze względu na prace badawczo-rozwojowe stale prowadzone przez firmę Makita, dane techniczne podane w bieżącej instrukcji mogą ulec zmianie bez powiadomienia.

3. DANE TECHNICZNE

Model	UR3000
Napięcie znamionowe:	230 - 240 V~
Częstotliwość znamionowa:	50 - 60 Hz
Moc znamionowa:	450 W
Prędkość bez obciążenia:	9 000 min ⁻¹
Szerokość cięcia:	300 mm
Średnica żyłki:	Φ1,65 mm
Poziom ciśnienia akustycznego na stanowisku operatora:	75,1 dB (A) K=3 dB (A)
Gwarantowany poziom mocy akustycznej:	96 dB (A)
Drgania:	2,73 m/s ² K=1,5 m/s ²
Wymiary (dł./ szer./ wys.):	1 016 - 1 256 / 301 / 262 mm
Masa netto:	2,6 kg

4. INSTRUKCJA MONTAŻU

Wykasarka jest dostarczana jako urządzenie z podzespołami do montażu. Aby dokończyć montaż, należy postępować wedle poniższych zaleceń.

4-1 Montaż osłon zabezpieczających

Zamontować osłonę zabezpieczającą na obudowie silnika. **(Rys. 2 i 3)**

1. Założyć osłonę zabezpieczającą na obudowę silnika.
2. Obrócić osłonę zabezpieczającą w prawidłowe położenie.
3. Zamontować osłonę zabezpieczającą na obudowie silnika za pomocą śruby.



OSTRZEŻENIE: Zachować uwagę, aby uniknąć obrażeń, jakie może spowodować element tnący w osłonie do przycinania żyłki. Po wyciągnięciu nowej linki, a przed włączeniem wykaszarki, urządzenie należy ustawić w normalnym położeniu pracy.



OSTRZEŻENIE: Nie wolno montować metalowych elementów tnących.



OSTRZEŻENIE: Nie wolno używać urządzenia bez prawidłowo zainstalowanej osłony zabezpieczającej. Nieprzestrzeżenie tego ostrzeżenia może spowodować poważne obrażenia.

4-2 Montaż uchwyty pomocniczego

1. Uchwyt pomocniczy umieścić na wsporniku. **(Rys. 4)**
2. Umieścić śrubę w otworze wspornika uchwyty i w uchwycie, następnie wkręcić pokrętko blokady na śrubę, ale nie dokręcać do końca. **(Rys. 5)**
3. Głowicę urządzenia opuścić na grunt, następnie należy uchwyt pomocniczy wyregulować do położenia wygodnego dla użytkownika: **(Rys. 6)**
 - 3a. Nacisnąć przycisk regulacji i wyregulować odpowiednio długość rurki.
 - 3b. Obrócić uchwyt pomocniczy pod dogodnym kątem.
4. Dokręcić pokrętko blokady, aby zamocować uchwyt pomocniczy.

5. ROZRUCH

Przed uruchomieniem wykaszarki przedłużacz należy przełożyć przez otwór w głównym uchwycie. **(Rys. 7 i 8)** Uchwycić pewnie wykaszarkę, nie dotykając trawy, która ma być przycięta, nacisnąć przycisk blokady bezpieczeństwa i przełącznik spustowy na górnym uchwycie.

Aby włączyć wykaszarkę, należy zwolnić przełącznik spustowy. **(Rys. 9)**



OSTRZEŻENIE: Silnik należy uruchamiać tylko wtedy, kiedy dłonie i stopy znajdują się z dala od elementu tnącego.

6. UŻYCIĘ FUNKCJI KOSZENIA KRAWĘDZI

W celu wyrównania krawędzi przy drogach i chodnikach należy przejść od trybu wykaszarki do trybu koszenia krawędzi w następujący sposób:

1. Przytrzymać rurkę wykaszarki jedną ręką, natomiast drugą ręką należy nacisnąć przycisk umożliwiający obrót. **(Rys. 10)**
2. Obrócić rurkę o 180°, aż do zablokowania jej w trybie koszenia krawędzi. **(Rys. 11)**



OSTRZEŻENIE: Aby zapobiec przypadkowemu uruchomieniu urządzenia, co może spowodować poważne obrażenia, przed obróceniem wałka zawsze należy odłączyć przewód zasilający.

7. WYMIANA KASETY Z ŻYŁKĄ TNĄCĄ

Wykasarka jest wyposażona w jednorazową kasety z żyłką tnącą, która oszczędza problem ponownego nawijania żyłki.

Zużyta kaseta należy wymienić w następujący sposób:


1. Nacisnąć zapadkę zwalniającą na uchwycie szpuli i zsunąć z pokrywy **(Rys. 12)**, aby usunąć zużyta szpulę. **(Rys. 13)**

- Wyciągnąć sprężynę i pokrywę z pustej szpuli i umieścić w nowej szpuli, następnie wysunąć dwie żyłki tnące z nowej szpuli przez otwory w pokrywie. **(Rys. 14)**
- Nową szpulę umieścić w uchwycie szpuli, następnie nacisnąć pokrywę, aż zostanie zablokowana w miejscu przez zapadkę zwalniającą. **(Rys. 15)**

8. UZUPEŁNIANIE ŻYŁKI TNĄCEJ

Aby uzupełnić żyłkę tnącą należy:

- Odłączyć narzędzie od sieci zasilającej.
- Usunąć zużytą szpulę. **(Rys. 12 i 13)**
- Odciąć nowy kawałek żyłki tnącej o długości nie przekraczającej 8 m i zgąć żyłkę w połowie.
- Zaczeplić środek nowej żyłki tnącej o nacięcie umieszczone na środku szpuli pomiędzy dwoma rowkami prowadzącymi żyłkę. Strzałka na szpulce wskazuje kierunek nawijania żyłki. **(Rys. 16)**
- Nawinać żyłkę wokół sekcji A **(10)** we właściwym miejscu. Żyłkę należy nawinać ściśle i płasko, aby powierzchnia zwoju była gładka. **(Rys. 17)**
- Nawinać całą żyłkę, pozostawiając tylko ok. 100 mm i zaczepiając tymczasowo koniec na uchwycie żyłki **(12)** z boku szpuli. **(Rys. 18)**
- W ten sam sposób nawinać żyłkę w sekcji B **(11)**, a koniec pozostawić tymczasowo zaczepiony. **(Rys. 17 i 19)**
- Zamontować szpulę na pokrywie tak, aby położenie, w którym tymczasowo zaczepiono żyłkę **(13)** było dopasowane do występów **(14)** na bokach pokrywy **(15)**. **(Rys. 20)**
- Odczepić końce żyłki z położeń tymczasowych i dopasować je do występów na bokach pokrywy. **(Rys. 21)**

 **OSTRZEŻENIE:** Upewnić się, że pokrywa jest prawidłowo zamontowana na uchwycie szpuli. Nieprawidłowe założenie pokrywy może spowodować rozrzucone elementy głowicy tnącej, co może być przyczyną poważnych obrażeń.

- Sprawdzić, czy sprężyna znajduje się w miejscu. Wcisnąć pokrywę **(15)** w uchwyt szpuli **(16)**. Należy dopilnować, aby zaczepy kalkowicę rozłożyły się w pokrywie. **(Rys. 14, 15 i 22)**
- Nacisnąć przycisk szpuli **(18)** i wyciągnąć jeden koniec żyłki. Sprawdzić, czy żyłka została wysunięta. **(Rys. 22 i 23)**
- Następnie należy wyciągnąć drugi koniec żyłki bez naciskania przycisku szpuli. Sprawdzić, czy żyłka została wysunięta.

9. WYSUWANIE ŻYŁKI

Zbyt krótka lub zużyta żyłka tnie mniej efektywnie. Aby zwiększyć efektywność pracy należy stuknąć lekko przyciskiem szpuli o podłoże, gdy wykaszarka pracuje z maksymalną prędkością. Spowoduje to automatyczne wysunięcie żyłki tnącej. Element tnący **(17)** pod osłoną automatycznie przytnie odpowiednią długość żyłki w trakcie pracy. **(Rys. 22 i 24)**



UWAGA: Kontakt z przedmiotami twardymi lub ściernymi, jak np. ogrodzenie, beton, kamienie ukryte w trawie może spowodować zerwanie żyłki tnącej. W przypadku zerwania żyłki należy ponownie wysunąć żyłkę.

10. INSTRUKCJE UŻYTKOWANIA

Wykaszarkę należy uruchomić przed zbliżeniem narzędzia do przycinanej trawy.

Trawę należy przyciąć prowadząc narzędzie powoli z prawej do lewej strony, pochylając wykaszarkę pod kątem ok. 30°. Wysoką trawę należy przycinać warstwami, zaczynając od warstwy najwyższej. Należy ścinać warstwę trawy o niedużej wysokości.

Nie kosć wilgotnej ani mokrej trawy.

Unikać szybkiego zużycia żyłki na skutek kontaktu z twardymi przedmiotami (kamieniami, murkami, ogrodzeniami, itp.). Aby utrzymać wykaszarkę w prawidłowej odległości, należy kierować się krawędzią osłony jako elementem odniesienia.



OSTRZEŻENIE: Opuszczając głowicę wykaszarki na grunt w celu wysunięcia żyłki tnącej nie wolno używać nadmiernej siły uderzając głowicą o grunt. Jeśli po uderzeniu pracującej głowicy o podłoże żyłka nie zostanie wysunięta, żyłka może być uszkodzona lub zerwana w kasecie lub mogła zostać zużyta.

UWAGA: Użycie nadmiernej siły przy uderzeniu głowicy o podłoże w celu wysunięcia żyłki spowoduje uszkodzenie głowicy.



OSTRZEŻENIE: Po wyłączeniu silnika głowica tnąca obraca się jeszcze przez kilka sekund.

11. PRZEDŁUŻACZE

Należy używać wyłącznie przedłużaczy przeznaczonych do użytku na zewnątrz, przewody z izolacją PVC lub elastyczne przewody o dużej wytrzymałości w gumowej osłonie o przekroju poprzecznym nie mniejszym niż 0,75 mm².

Przed użyciem należy sprawdzić, czy przewody zasilające i przedłużające nie wykazują śladów zużycia lub uszkodzenia; w takim przypadku należy je odłączyć. Jeśli przewód zostanie uszkodzony podczas użytkowania urządzenia, należy go natychmiast odłączyć od zasilania. **NIE WOLNO DOTYKAĆ PRZEWODU PRZED JEGO ODŁĄCZENIEM OD ZASILANIA.** Nie wolno używać urządzenia, jeśli przewody są zużyte lub uszkodzone. Należy uważać, aby przewody przedłużające nie znalazły się w pobliżu elementów tnących lub noży.



OSTRZEŻENIE: Zawsze należy dbać, aby w otworach wentylacyjnych nie było zanieczyszczeń.

12. KONSERWACJA

- Po użyciu urządzenia należy odłączyć od zasilania elektrycznego i sprawdzić pod kątem uszkodzeń.

2. Gdy urządzenie nie jest używane, należy je przechowywać poza zasięgiem dzieci.
3. Wykaszarki elektryczne należy naprawiać wyłącznie w autoryzowanym centrum serwisowym.
4. Wszelkie naprawy i regulacje inne, niż opisane w bieżącej instrukcji, należy wykonywać w autoryzowanym centrum serwisowym.
5. Należy stosować tylko części zamienne i akcesoria zalecane przez producenta.

Mierzony poziom mocy akustycznej: 92,7 dB (A)
Gwarantowany poziom mocy akustycznej: 96 dB (A)

17. 12. 2010



Tomoyasu Kato
Dyrektor
Makita Corporation
3-11-8, Sumiyoshi-cho,
Anjo, Aichi, JAPAN

13. UTYLIZACJA PRZYJAZNA DLA ŚRODOWISKA



Zgodnie z dyrektywą UE 2002/96/WE dotyczącą urządzeń elektrycznych i elektronicznych oraz jej implementacją w ramach przepisów krajowych, wszystkie urządzenia elektryczne powinny być gromadzone oddzielnie od innych odpadów i

utyliizowane w sposób przyjazny dla środowiska.
Alternatywne sposoby utylizacji: Jeśli właściciel urządzenia elektrycznego nie zwróci go do producenta, wówczas odpowiada za przekazanie go do wyznaczonego punktu zbiórki, co pozwoli przygotować urządzenie do utylizacji zgodnie z krajowymi przepisami dotyczącymi utylizacji odpadów.
Nie dotyczy to akcesoriów oraz narzędzi bez układów elektrycznych lub elektronicznych.

Deklaracja zgodności WE

Niniejszym firma Makita Corporation, jako odpowiedzialny producent oświadcza, że opisywane urządzenia marki Makita:

Oznaczenie maszyny: Wykaszarka

Nr modelu/ Typ: UR3000

Dane techniczne: patrz tabela „DANE TECHNICZNE”.

są produkowane seryjnie oraz

Spełniają następujące dyrektywy europejskie:

2000/14/WE, 2004/108/WE, 2006/42/WE,
2006/95/WE

i są produkowane zgodnie z następującymi normami lub dokumentami normalizacyjnymi:

EN55014, EN60335, EN61000, EN62233

Dokumentacja techniczna przechowywana jest przez naszego autoryzowanego przedstawiciela na Europę, którym jest:

Makita International Europe Ltd.

Michigan Drive, Tongwell,

Milton Keynes, MK15 8JD, Wielka Brytania

Procedura oceny zgodności wymagana przez Dyrektywę

2000/14/WE została przeprowadzona zgodnie z

Załącznikiem VIII.

Jednostka notyfikowana:

TÜV SÜD Industrie Service GmbH

Westendstraße 199, D-80686 München

Numer identyfikacyjny: 0036

MAGYAR (Eredeti útmutató)

Köszönjük, hogy a termékünket választotta. Biztosak vagyunk benne, hogy a készülékünk kiváló minősége az Ön meglepedésére szolgál, elnyeri az Ön elismerését, és hosszú időn keresztül lehetünk az Ön szolgáltatója.

A készülék használatba vétele előtt mindenképpen olvassa el ezt az útmutatót, amelyet azzal a céllal állítottunk össze, hogy az Ön rendelkezésére bocsássuk a rendeltetészerű, az alapvető biztonsági követelményeknek megfelelő használatához szükséges minden információt.



SZIMBÓLUMOK

Az alábbi szimbólumok közül némelyik megtalálható lehet a készüléken. Kérjük, tanulmányozza ezen szimbólumokat és a jelentésüket, mivel a megfelelő értelmezésük a készülék biztonságosabb és hatékonyabb használatát teszi lehetővé.

SZIMBÓLUMOK	NÉV	MAGYARÁZAT
	CE-jelölés	A termék megfelel az Európai Közösség (jelenleg Európai Unió) által meghatározott követelményeknek és előírásoknak.
	II-es osztályú kialakítás	Duplán szigetelt szerkezet.
	WEEE-JELÖLÉS	VIGYÁZAT! A már nem használható elektromos szerszámok nem tartoznak a háztartási hulladékok körébe. Ezeket valamely kommunális gyűjtőhelyre kell elszállítani, ahol a helyi előírásoknak megfelelően gondoskodnak a környezetbarát ártalmatlanításról.
	Olvassa el használati utasítást	A személyi sérülés kockázatának elkerülésére érdekében, a termék használatba vétele előtt a felhasználónak el kell olvasnia és meg kell értenie a használati utasítást.
	Áramütés!	Áramtalanítsa a szerszámot, ha a vezeték megsérült vagy beakadt.
	Ne tegye ki a szerszámot esőnek	Ne hagyja a szerszámot kültéren vagy esőn.
	Viseljen védőszemüveget	A szemsérülések megelőzése érdekében viseljen védőszemüveget.
	Zajszint jelzése	A szerszám zajszintje nem haladja meg a 96 dB-t.
	A BERENDEZÉS HASZNÁLATAKOR NE ENGEDJEN SENKIT A KÖZELBE!	A BERENDEZÉS HASZNÁLATAKOR NE ENGEDJEN SENKIT A KÖZELBE!

1. FONTOS BIZTONSÁGI SZABÁLYOK

A biztonsági szabályok célja a felhasználó figyelmének felhívása a lehetséges veszélyekre. A biztonsági jelzések és azok magyarázatai odafigyelést és megértést igényelnek. A biztonsági figyelmeztetések nem hárítják el a veszélyt. Annak ellenére, hogy Ön követi a biztonsági utasításokat és figyelmeztetéseket, mindig alkalmazza a megfelelő biztonsági eszközöket (például védőburkolatot) is.



BIZTONSÁGI FIGYELMEZTETÉS

JELZÉSE: Óvatosságra int, illetve egyéb szimbólumokkal vagy képekkel együtt alkalmazva figyelmeztetést jelent.



FIGYELEM: Sajátítsa el a gép helyes használatát és kezelőszervek működtetését.



FIGYELEM: A biztonsági figyelmeztetések figyelmen kívül hagyása súlyos sérülést okozhat Önnek vagy másoknak. Mindig tartsa be a biztonsági óvintézkedéseket a tűz, az áramütés és személyi sérülés

kockázatának csökkentése érdekében. Tartsa meg a használati utasítást, és rendszeresen tekintse át a biztonságos üzemeltetés fenntartása, illetve azon személyek tájékoztatása érdekében, akik a gépet használhatják.



FIGYELEM: Soha ne használja a készüléket megfelelően felszerelt védőburkolat nélkül. Ezen figyelmeztetés be nem tartása súlyos személyi sérüléshez vezethet.



FIGYELEM: A gép elektromágneses mezőt két működés közben. Ez az elektromágneses mező bizonyos körülmények között zavarhatja az emberi szervezetbe beültetett aktív vagy passzív implantátumokat. Az esetleges súlyos vagy halálos következmény elkerülése érdekében javasoljuk, hogy a beültetett implantátummal élő személy a gép használata előtt konzultáljon orvosával és az implantátum gyártójával.



FIGYELEM: A gép üzemeltetésekor idegen tárgyak repülhetnek ki belőle, melyek a szembe jutva a látás elvesztését vagy súlyos szemkárosodást okozhatnak. Az elektromos készülék használata előtt vegyen fel oldalsó védelemmel rendelkező munkavédelmi szemüveget, illetve szükség esetén teljes arcvédő maszkot. A Wide Vision munkavédelmi maszk szemüveg feletti használatát vagy oldalsó védelemmel rendelkező munkavédelmi szemüvegek alkalmazását javasoljuk.

1. A készüléket nem használhatják csökkent fizikai, érzékelési vagy értelmi képességű személyek (a gyerekeket is beleértve), vagy akiknek nincs meg a tapasztalatuk és tudásuk ehhez; kivéve, ha a biztonságukért felelős személy a használatra megtanítja, vagy a használat közben felügyeli őket.
2. Ügyelni kell arra, hogy gyermekek ne játszhassanak a géppel.
3. Az utasításokat figyelmesen olvassa el.
4. Sajátítsa el a készülék helyes használatát és kezelőszervek működtetését.
5. Használat előtt ellenőrizze, hogy a tápkábel és a hosszabbító kábel nem sérült-e, illetve nem öregedett-e el.
6. Amennyiben a kábel használat közben megsérül, haladéktalanul húzza ki azt a hálózathoz. **NE NYÚLJON A KÁBELHEZ, AMÍG NEM HÚZTA KI A HÁLÓZATBÓL.**
7. Ne használja a fűkaszát (szegélynyíró), ha a vezetékek sérültek vagy elhasználódtak.
8. Figyelem: A vágóelemek a motor kikapcsolása után egy ideig még forognak.

2. ÁLTALÁNOS AZONOSÍTÁS (1. ábra)

- | | |
|-----------------------------|----------------------------|
| 1. Biztonsági reteszelőgomb | 6. Kioldókapcsoló |
| 2. Kiegészítő fogantyú | 7. Cső |
| 3. Rögzítőgomb | 8. Motor burkolata |
| 4. Beállító gomb | 9. Biztonsági védőburkolat |
| 5. Fő fogantyú | |

Tartozékok:

- Szíj
- Védőszemüveg

9. Tartsa távol a hosszabbító kábeleket a vágóelemektől.
10. Viseljen védőszemüveget vagy szemvédőt.
11. Soha ne engedje, hogy gyermekek vagy ezen utasításokat nem ismerő személyek használják a készüléket.
12. Ne működtesse a készüléket, ha emberek – különösen gyermekek – vagy háziállatok tartózkodnak a közelben.
13. A készüléket csak nappali fényben vagy kellően erős mesterséges megvilágítás mellett használja.
14. A készülék használata előtt és a készüléket ért bármilyen erőteljes hatás után ellenőrizze a kopás vagy sérülés jeleit és gondoskodjon a szükséges javításról.
15. Soha ne működtesse a gépet sérült védőelemekkel vagy azok nélkül.
16. A kezét és lábát mindig tartsa távol a vágószerezeztől, és erre különösen ügyeljen a motor beindításakor.
17. Ügyeljen, hogy elkerülje a vágószálat megfelelő hosszúságúra vágó szerkezet okozta sérüléseket. Újabb vágószál kihúzása után mindig fordítsa vissza a készüléket a normál üzemeltetési helyzetbe, mielőtt bekapcsolná azt.
18. Soha ne szereljen fel fém vágóelemet.
19. Soha ne használjon nem a gyártó által szállított vagy ajánlott cserealkatrészeket vagy tartozékokat.
20. A készülék csatlakozóját húzza ki a hálózati csatlakozóból a készülék ellenőrzését, tisztítását megelőzően, a készüléken végzett munkálatok előtt, valamint akkor, amikor a készülék nincs használatban.
21. Mindig ellenőrizze, hogy a szellőző nyílásokat nem tömtette-e el törmelék.
22. Ahol a készülék szimbólumok és piktogramok vannak feltüntetve, azok funkcióját el kell magyarázni.
23. Minden esetben áramtalanítsa a szegélyvágót, ha felügyelet nélkül hagyja.
24. Használaton kívül olyan helyen tárolja a készüléket, ahol gyermekek nem férnek hozzá.
25. Az elektromos meghajtású szegélynyírók javítását csak hivatalos szervizzel végeztesse.
26. A jelen kezelési útmutatóban nem szereplő javítási vagy beállítási munkákat hivatalos szervizzel végeztesse el.
27. Kizárólag a gyártó által javasolt alkatrészeket és tartozékokat használja.



A Makita folyamatos termék-továbbfejlesztési politikája miatt a termék funkciói és specifikációi előzetes értesítés nélkül változhatnak.

3. MŰSZAKI ADATOK

Típus	UR3000
Névleges feszültség:	230 - 240 V~
Névleges frekvencia:	50 - 60 Hz
Névleges teljesítmény:	450 W
Terhelés nélküli fordulatszám:	9000 min ⁻¹
Vágási szélesség:	300 mm
Vágószál mérete:	Φ1,65 mm
Hangnyomásszint a kezelő pozíciójában:	75,1 dB (A) K=3 dB (A)
Garantált hangteljesítményszint:	96 dB (A)
Vibráció:	2,73 m/s ² K=1,5 m/s ²
Méret (H/SZ/M):	1016 - 1256 / 301 / 262 mm
Nettó tömeg:	2,6 kg

4. SZERELÉSI UTASÍTÁS


A készülék szállításakor egyes alkatrészei nincsenek felszerelve. Ezek felszereléséhez járjon el a következő módon:


4-1 Biztonsági védőburkolat felszerelése


Rögzítse a biztonsági védőburkolatot a motor burkolatára.

(2. és 3. ábra)

1. Helyezze a biztonsági védőburkolatot a motor burkolatára.
2. Fordítsa el a biztonsági védőburkolatot a megfelelő pozícióba.
3. Csavar segítségével rögzítse a biztonsági védőburkolatot a motor burkolatára.

 **FIGYELEM:** Ügyeljen, hogy elkerülje a vágószál hosszának levágására szolgáló penge okozta sérüléseket. Újabb vágószál kihúzása után mindig fordítsa vissza a készüléket a normál üzemeltetési helyzetbe, mielőtt bekapcsolná azt.

 **FIGYELEM:** Soha ne szereljen fel fém vágóelemet.

 **FIGYELEM:** Soha ne használja a készüléket megfelelően felszerelt védőburkolat nélkül. Ezen figyelmeztetés be nem tartása súlyos személyi sérüléshez vezethet.

4-2 Kiegészítő fogantyú felszerelése

1. Helyezze a kiegészítő fogantyút a támasztékra. (4. ábra)
2. Helyezze a csavart a fogantyú támasztékán és a fogantyún található lyukba, majd csavarja a rögzítógombot a csavar felé, de ne csavarja be teljesen. (5. ábra)
3. Helyezze a készülék fejrészét a talajra, majd állítsa a kiegészítő fogantyút olyan helyzetbe, amelybe az Önnek kényelmes: (6. ábra)
 - 3a. Nyomja meg a beállítógombot, és állítsa be a kívánt csőhosszúságot.

3b. Forgassa a kiegészítő fogantyút az Ön számára kényelmes helyzetbe.


4. A rögzítógomb becsavarásával rögzítse a kiegészítő fogantyút.

5. INDÍTÁS

A készülék indítása előtt rögzítse a hosszabbító kábelt a fő fogantyún található lyukba. (7. és 8. ábra)

Fogja meg erősen a készüléket, és anélkül, hogy az a vágandó fűfelületet érintené, nyomja meg a biztonsági reteszelőgombot, és a felső fogantyúrészben található kioldókapcsolót.


A készülék kikapcsolásához engedje fel a kioldókapcsolót. (9. ábra)

 **FIGYELEM:** A motort csak akkor kapcsolja be, amikor a keze és lába nincs a vágószerszék közelében.

6. A KÉSZÜLÉK HASZNÁLATA SZEGÉLYNYÍRÓKÉNT

A behajtók és utak melletti területeken való használatához a készüléket fűkasza üzemmódból szegélynyíró üzemmódba kell állítani, az alábbiak szerint:

1. Fogja egy kézzel a készülék csövét, a másik kezével pedig nyomja meg a forgatás gombot. (10. ábra)
2. Forgassa el a csövet 180°-kal, amíg az nem rögzül a szegélynyíró módban. (11. ábra)

 **FIGYELEM:** A komoly személyi sérülés kockázatával járó véletlenszerű beindítás elkerülése érdekében a tengely elforgatásának kísérlete előtt mindig húzza ki a tápkábelt.

7. A VÁGÓSZÁL-KAZETTA CSERÉJE

A készülékhez egyben eldobható vágószál-kazetta tartozik, így a vágószál nehézkes újratercselése elkerülhető.

A kiürült vágószál-kazetta cseréje az alábbiak szerint történik:

1. Nyomja meg az orsótartón található mindkét kioldókapcsolót emelje ki a sapkából (12. ábra), majd vegye ki az üres orsót. (13. ábra)
2. A rugót és a sapkát az üres orsóról helyezze át az új orsóra, majd fűzze be az új orsó két vágószálát a sapka nyílásaiba. (14. ábra)
3. Helyezze az új orsót az orsótartóba, majd nyomja a sapkát lefelé, amíg a helyére nem pattan a kioldókapcsoló. (15. ábra)

8. A VÁGÓSZÁL UTÁNTÖLTÉSE

A vágószál utántöltéséhez:

1. Csatlakoztassa le a készüléket a hálózatról.
2. Távolítsa el az üres orsót. (12. és 13. ábra)
3. Vágja az új vágószálát 8 méternél rövidebbre és hajlítsa meg a felénél.
4. Az új vágószál közepét akassza be az orsó közepén lévő bevágásba a vágószál számára fenntartott 2 vajat között. Az orsón látható nyíl jelzi a vágószál feltekerésének irányát. (16. ábra)
5. Tekerje fel a vágószálát az „A” rész (10) köré sorban haladva. Ügyeljen, hogy szorosan és laposan tekerje fel a szálát, hogy a feltekert szál felülete egyenletes legyen. (17. ábra)
6. Tekerje fel az egész vágószálát egy kb. 100 mm-es darabot kivéve úgy, hogy a végeket ideiglenesen beakasztja az orsó oldalán lévő száltartóba (12). (18. ábra)
7. Ekkor tekerje fel a vágószálát a „B” részre (11) is, és hagyja a szál végét ideiglenesen beakasztva. (17. és 19. ábra)
8. Helyezze az orsót a sapkára, hogy a vágószál (13) ideiglenesen beakasztott pozíciója megegyezzen a sapka (15) oldalán található bevágások (14) helyével. (20. ábra)
9. Akassza ki a vágószál végeit az ideiglenesen rögzített pozícióból és illessze azokat a sapka oldalán található bevágásokba. (21. ábra)



FIGYELEM: Ügyeljen, hogy a sapkát megfelelően rögzítse az orsóra. A sapka megfelelő hozzáerősítésének elmulasztása következtében az alkatrészek elrepülhetnek, ami súlyos személyi sérülést okozhat.

10. Ellenőrizze, hogy a rugó a helyén van-e. Tolja be a sapkát (15) az orsótartóba (16). Ügyeljen arra, hogy a zárnyelvek teljesen beugorjanak a helyükre a sapkában. (14., 15. és 22. ábra)
11. Nyomja meg az orsóműködtető gombot (18) és húzza ki a vágószál egyik végét. Ellenőrizze, hogy a szál rendesen kijött-e. (22. és 23. ábra)
12. Végül húzza ki a szál másik végét az orsóműködtető gomb lenyomása nélkül. Ellenőrizze, hogy a szál rendesen kijött-e.

9. A VÁGÓSZÁL UTÁNENGEDÉSE

A rövid vagy elhasználdott szálak kevésbé hatékonyan vágnak. A további munka hatékonyságának növelése érdekében finoman érintse a talajhoz az orsóműködtető

gombot, miközben a készülék teljes sebességgel működik. Ekkor automatikusan megtörténik a vágószál utánengedése. A védőburkolat alatt található vágószál-penge (17) automatikusan a megfelelő hosszúságúra vágja le a vágószálát a működtetés közben. (22. és 24. ábra)



MEGJEGYZÉS: Ha kemény vagy dörzsölő hatású tárgyakhoz ér hozzá, mint például kerítés, beton vagy a magas fűben megbújó kődarabok, az a vágószál törését okozhatja. Ha a vágószál letörik, kövesse az alábbi eljárást.

10. HASZNÁLATI UTASÍTÁS

Indítsa be a készüléket, mielőtt a levágandó füves területhez érne.

A fű vágásához lassan mozgassa a készüléket jobbról balra, a készüléket körülbelül 30° fokos szögben megdöntve tartva. A magas fűvet több menetben kell vágni, mindig felülről kezdve. Egyszerre csak rövid részeket szabad levágni.

Ne nyírjon nyirkos vagy nedves fűvet.

Ügyeljen, hogy ne koptassa el idő előtt a vágószálát azáltal, hogy kemény tárgyakhoz (kővek, falak, kerítések stb.) ütközik. A védőburkolat szélét figyelve tartsa a készüléket a megfelelő távolságra.



FIGYELEM: Ne használjon túl nagy erőt, illetve ne üsse a talajhoz a készülék fejét a vágószál utánengedéséhez. Ha a készülék nem engedi kijebb a vágószálát az orsóműködtető fej talajhoz érintésével a készülék működése közben, akkor lehet, hogy a vágószál összegabalyodott vagy eltört a kazettán belül, vagy lehet, hogy elfogyott a vágószál.

MEGJEGYZÉS: Ha túl nagy erőt használ vagy a talajhoz üti az orsóműködtető fejet a vágószál utánengedéséhez, azzal károsítja a fejet.



FIGYELEM: A vágófeje a motor leállítását után pár másodpercig még tovább forog.

11. HOSSZABBÍTÓ KÁBELEK

Kizárólag kültéri használatra szánt hosszabbító kábelt használjon, amely PVC bevonatú, általános terhelésre megfelelő, vagy rugalmas, erős igénybevételre megfelelő, gumiköpenyű, valamint legalább 0,75 mm² keresztmetszetű.

Használat előtt ellenőrizze, hogy a tápkábelek és a hosszabbító kábelek nem sérültek-e, illetve nem öregedtek-e el. Ne használja a kábeleket, ha azokon sérülés vagy öregedés tapasztalható. Amennyiben a kábel használat közben megsérül, haladéktalanul húzza ki azt a hálózatról. NE NYÚLJON A KÁBELHEZ, AMÍG NEM HÚZTA KI A HÁLÓZATBÓL. Ne használja a készüléket, ha a kábel sérült vagy elhasználdott. Tartsa távol a hosszabbító kábelt a vágóelemektől.



FIGYELEM: Mindig ellenőrizze, hogy a szellőzőnyílásokat nem tömítette-e el törmelék.

12. KARBANTARTÁS

1. Használat után húzza ki a készülék csatlakozóját a hálózati csatlakozóból és ellenőrizze, hogy nincs-e sérülés a készüléken.
2. Használaton kívül olyan helyen tárolja a készüléket, ahol gyermekek nem férnek hozzá.
3. Az elektromos meghajtású szegélynyírók javítását csak hivatalos szervizzel végeztesse.
4. A jelen kezelési útmutatóban nem szereplő javítási vagy beállítási munkákat hivatalos szervizzel végeztesse el.
5. Kizárólag a gyártó által javasolt alkatrészeket és tartozékokat használja.

Mért hangteljesítményszint: 92,7 dB (A)
Garantált hangteljesítményszint: 96 dB (A)

2010. 12. 17.



Tomoyasu Kato
igazgató
Makita Corporation
3-11-8, Sumiyoshi-cho,
Anjo, Aichi, JAPAN

13. KÖRNYEZETBARÁT MEGSEMMISÍTÉS



Az elektromos és elektronikus berendezésekről szóló 2002/96/EK európai uniós irányelv, valamint az irányelvnek a nemzeti jogszabályokban való végrehajtása szerint valamennyi elektromos eszközt külön kell gyűjteni, és környezetbarát módon kell

újrahasznosítani. Alternatív megsemmisítési módszer: Amennyiben az elektromos készüléket tulajdonosa nem juttatja vissza a gyártóhoz, akkor a készülék hulladékba helyezéseért ő felelős. A készülék leadható egy erre kijelölt gyűjtőponton, amely az adott országban hatályos törvényeknek és rendelkezéseknek megfelelően előkészíti a készüléket újrafelhasználásra. Az elektronikus és elektromos alkatrészeket nem tartalmazó tartozékokra és készülékekre ez nem vonatkozik.

EK Megfelelőségi nyilatkozat

Mi, a Makita Corporation mint a termék felelős gyártója kijelentjük, hogy a következő Makita gép(ek):

Gép megnevezése: Szegélynyíró

Típus sz./Típus: UR3000

Műszaki adatok: lásd a „MŰSZAKI ADATOK” táblázatban. sorozatgyártásban készül és

megfelel a következő európai előírásoknak:

2000/14/EK, 2004/108/EK, 2006/42/EK, 2006/95/EK

Illetve gyártásuk a következő szabványoknak, valamint szabványosított dokumentumoknak megfelelően történik:

EN55014, EN60335, EN61000, EN62233

A műszaki dokumentáció Európában a következő hivatalos képviselőnkél található:

Makita International Europe Ltd.

Michigan Drive, Tongwell,

Milton Keynes, MK15 8JD, Anglia

A 2000/14/EK irányelv által előírt megfelelőségi audit eljárás a VIII. függelék szerint történt.

Tanúsító testület:

TÜV SÜD Industrie Service GmbH

Westendstraße 199, D-80686 München

Azonosítószám: 0036

РУССКИЙ (Оригинальные инструкции)

Благодарим вас за выбор наших изделий. Мы уверены, что высокое качество нашего изделия удовлетворит вашим требованиям и будет оценено по достоинству. Мы же, в свою очередь, гарантируем вам длительный срок службы изделия.

Перед началом эксплуатации внимательно изучите данное руководство, которое было специально создано для предоставления всей необходимой информации для надлежащей эксплуатации в соответствии с основными требованиями по технике безопасности.



СИМВОЛЫ

На инструменте могут использоваться некоторые из приведенных ниже символов. Важно знать их значение для обеспечения безопасной и эффективной эксплуатации.

СИМВОЛЫ	НАЗВАНИЕ	ОБЪЯСНЕНИЕ
	Маркировка CE	Изделие соответствует требованиям и положениям, установленным Европейским Сообществом (сейчас - Европейским Союзом).
	Конструкция класса II	Конструкция с двойной изоляцией.
	МАРКИРОВКА WEEE (Директивы ЕС об отходах электрического и электронного оборудования)	ПРЕДУПРЕЖДЕНИЕ! Непригодные к эксплуатации электроинструменты не относятся к бытовым отходам. Их необходимо сдать в пункты сбора общего назначения для последующей экологически безопасной утилизации в соответствии с местным законодательством.
	Ознакомьтесь с инструкциями для оператора	Для снижения риска получения травмы перед началом эксплуатации инструмента необходимо прочитать и уяснить содержание руководства оператора.
	Риск поражения электрическим током!	Извлеките вилку из розетки, если шнур питания поврежден или запутан.
	Беречь от дождя	Не оставляйте инструмент вне помещения и не подвергайте воздействию дождя.
	Пользуйтесь средствами защиты глаз	Для снижения риска получения травмы глаз пользуйтесь соответствующими средствами защиты!
	Маркировка уровня шума	Уровень шума данного инструмента не превышает 96 дБ.
	НЕ ДОПУСКАЙТЕ ПОСТОРОННИХ К МЕСТУ РАБОТ!	НЕ ДОПУСКАЙТЕ ПОСТОРОННИХ К МЕСТУ РАБОТ!

1. ВАЖНЫЕ ИНСТРУКЦИИ ПО ТЕХНИКЕ БЕЗОПАСНОСТИ

Назначение правил техники безопасности – привлечь ваше внимание к возможным опасностям. Символы техники безопасности и пояснения к ним требуют вашего внимания и понимания. Предупреждения сами по себе не устраняют опасность. Обязательно используйте соответствующие средства обеспечения безопасности работ (например, ограждение) несмотря на то, что вы соблюдаете все инструкции и рекомендации по технике безопасности.



ЗНАК ПРЕДУПРЕЖДЕНИЯ О ПОТЕНЦИАЛЬНОЙ ОПАСНОСТИ:

Указывает на необходимость соблюдения осторожности в сочетании с другими символами или изображениями.



ПРЕДОСТЕРЕЖЕНИЕ: Ознакомьтесь со всеми органами управления и правилами правильной эксплуатации изделия.



ПРЕДОСТЕРЕЖЕНИЕ: Неследование предупреждению по технике безопасности может

привести к серьезной травме оператора или окружающих. Во избежание риска возгорания, поражения электрическим током или получения травмы следует соблюдать правила техники безопасности. Сохраните данное руководство пользователя и периодически просматривайте его, чтобы обеспечить безопасную эксплуатацию и инструктировать других пользователей данного изделия.



ПРЕДОСТЕРЕЖЕНИЕ: На время эксплуатации обязательно устанавливайте ограждение. Несоблюдение данного требования может стать причиной серьезной травмы.



ПРЕДОСТЕРЕЖЕНИЕ: Во время работы данное устройство создаст электромагнитное поле. В некоторых случаях это поле может создавать помехи для активных или пассивных медицинских имплантатов. Чтобы уменьшить риск тяжелой или смертельной травмы, перед началом эксплуатации устройства людям с медицинскими имплантатами рекомендуется проконсультироваться с врачом и производителем имплантата.



ПРЕДОСТЕРЕЖЕНИЕ: Эксплуатация любого инструмента может привести к попаданию инородных предметов в глаза, что может послужить причиной тяжелого ущерба зрению или его потере. Перед началом работы с инструментом обязательно надевайте защитные очки или очки с боковыми щитками, либо защитную маску (если необходимо). Рекомендуется использовать защитную маску с увеличенным углом обзора – у нее много преимуществ по сравнению с очками или стандартными защитными очками с боковыми щитками.

1. Данное устройство не предназначено для использования людьми (включая детей) с ограниченными физическими, сенсорными или умственными возможностями, либо не имеющими соответствующего опыта или знаний, за исключением случаев, когда они действуют под руководством или после надлежащего инструктажа по использованию устройства со стороны лица, ответственного за их безопасность.
2. Следует следить за маленькими детьми, чтобы они не использовали устройство в качестве игрушки.
3. Внимательно прочитайте инструкции.
4. Ознакомьтесь со всеми органами управления и правилами правильной эксплуатации изделия.
5. Перед началом эксплуатации проверьте сетевой и удлинительный кабели на предмет повреждений или старения.
6. В случае повреждения кабеля во время работы немедленно отсоедините кабель от источника питания. **НЕ КАСАЙТЕСЬ КАБЕЛЯ ДО ОТКЛЮЧЕНИЯ ОТ ИСТОЧНИКА ПИТАНИЯ.**

7. В случае повреждения или износа кабелей эксплуатация инструмента для обрезки запрещена.
8. Предостережение: После выключения электромотора режущие элементы продолжают вращаться.
9. Располагайте удлинительные кабели в стороне от режущих элементов.
10. Надевайте защитные очки или защитную маску для лица.
11. Не разрешайте детям и лицам, не знакомым с данными инструкциями, пользоваться инструментом.
12. Запрещается эксплуатировать устройство, если поблизости находятся люди (в особенности дети) или животные.
13. Работы выполняйте только в дневное время или при хорошем искусственном освещении.
14. Перед началом эксплуатации или после любого удара проверьте инструмент на наличие признаков износа или повреждения. При необходимости отремонтируйте.
15. Запрещается включать инструмент с поврежденным или отсутствующим ограждением.
16. Берегите руки и ноги от режущих деталей (особенно во время запуска электромотора).
17. Соблюдайте осторожность, чтобы не получить травму от любого устройства, предназначенного для обрезки нитей. Вытянув новую нить, перед включением обязательно верните инструмент в обычное рабочее положение.
18. Запрещается установка металлических режущих элементов.
19. Запрещается использование запасных частей или аксессуаров, не рекомендуемых производителем.
20. Перед проверкой, чистой или использованием инструмента, а также если он не используется, отсоедините инструмент от сети.
21. Следите за тем, чтобы вентиляционные отверстия не были засорены.
22. Используемые на инструменте символы должны иметь пояснение.
23. Если электрокоса остается без присмотра, обязательно отключите ее от сети.
24. Если электроинструмент не используется, он должен храниться в месте, недоступном для детей.
25. Ремонт инструментов для резки, работающих от сети, должен производиться в официальном сервисном центре.
26. При возникновении необходимости ремонта или регулировки, не описанных в данном руководстве, обратитесь в официальный сервисный центр.
27. Используйте только рекомендованные производителем запасные части и принадлежности.



В связи с проводимой компанией Makita политикой постоянного совершенствования, функции и характеристики изделия могут быть изменены без предварительного уведомления.

2. РАСПОЛОЖЕНИЕ КОМПОНЕНТОВ (Рис. 1)

- | | | |
|--------------------------|-------------------------|---|
| 1. Кнопка предохранителя | 6. Курковый выключатель | Дополнительные принадлежности:
• Ремень
• Защитные очки |
| 2. Дополнительная ручка | 7. Штанга | |
| 3. Рукоятка блокировки | 8. Корпус мотора | |
| 4. Кнопка регулировки | 9. Защитное ограждение | |
| 5. Основная ручка | | |

3. ТЕХНИЧЕСКИЕ ХАРАКТЕРИСТИКИ

Модель	UR3000
Номинальное напряжение:	230 - 240 В ~
Номинальная частота:	50 - 60 Гц
Номинальная мощность:	450 Вт
Скорость без нагрузки:	9000 мин ⁻¹
Ширина среза:	300 мм
Размер нити:	Φ1,65 мм
Уровень звукового давления на месте оператора:	75,1 дБ (А) К=3 дБ (А)
Гарантированный уровень звуковой мощности:	96 дБ (А)
Вибрация:	2,73 м/с ² К=1,5 м/с ²
Размеры (Д/Ш/В):	1016 - 1256 / 301 / 262 мм
Вес нетто:	2,6 кг


4. ИНСТРУКЦИЯ ПО СБОРКЕ

Некоторые детали инструмента поставляются снятыми с устройства. Для их установки выполните следующие действия:


4-1 Установка защитного ограждения

Закрепите защитное ограждение на корпусе мотора. (Рис. 2 и 3)

1. Установите защитное ограждение на корпус мотора.
2. Поверните защитное ограждение в правильное положение.
3. Закрепите защитное ограждение винтом на корпусе мотора.

 **ПРЕДОСТЕРЕЖЕНИЕ:** Будьте осторожны, чтобы не получить травму от лезвия, предназначенного для обрезки нитей и установленного на ограждении. Вытянув новую нить, перед включением обязательно верните инструмент в обычное рабочее положение.

 **ПРЕДОСТЕРЕЖЕНИЕ:** Запрещается установка металлических режущих элементов.

 **ПРЕДОСТЕРЕЖЕНИЕ:** На время эксплуатации обязательно устанавливайте ограждение. Несоблюдение данного требования может стать причиной серьезной травмы.

4-2 Установка дополнительной ручки


1. Прикрепите дополнительную ручку к опоре. (Рис. 4)

2. Вставьте болт в отверстия опоры ручки и самой ручки, закрутите рукоятку блокировки (не полностью). (Рис. 5)
3. Положите головку инструмента на землю и отрегулируйте дополнительную ручку в удобное положение с помощью другой ручки: (Рис. 6)
3а. Нажмите кнопку регулировки, отрегулируйте длину штанги до желаемой.
3б. Поверните дополнительную ручку под удобный для вас угол.
4. Заверните рукоятку блокировки, чтобы закрепить дополнительную ручку.

5. ПУСК

Перед включением инструмента закрепите удлинитель в отверстии на основной ручке. (Рис. 7 и 8)


Крепко удерживая инструмент, не позволяя ему касаться травы, нажмите кнопку предохранителя и курковый выключатель на верхнем конце рукоятки. Чтобы выключить инструмент, опустите курковый переключатель. (Рис. 9)

 **ПРЕДОСТЕРЕЖЕНИЕ:** Включайте электродвигатель только если руки и ноги находятся на безопасном расстоянии от режущего узла.

6. ИСПОЛЬЗОВАНИЕ ИНСТРУМЕНТА ДЛЯ РЕЗКИ В КАЧЕСТВЕ ИНСТРУМЕНТА ДЛЯ ОБРЕЗКИ КРОМОК ЛИСТЬЕВ

Для обрезки краев подъездных дорожек и тропинок измените режим для резки на режим обрезки кромки следующим образом:

1. Удерживая штангу инструмента одной рукой, другой нажмите кнопку поворота. (Рис. 10)
2. Поверните штангу на 180°, пока она не зафиксируется в режиме обрезки кромки. (Рис. 11)

 **ПРЕДОСТЕРЕЖЕНИЕ:** Перед попыткой поворота штанги обязательно отсоединяйте шнур питания во избежание случайного включения инструмента, которое может привести к серьезным травмам.

7. ЗАМЕНА КАРТРИДЖА РЕЖУЩЕЙ НИТИ

Инструмент для резки оснащен полностью утилизуемым картриджем с режущей нитью, который устраняет необходимость намотки режущей нити. Чтобы заменить пустой картридж с режущей нитью выполните следующие действия:

1. Нажмите защелку на держателе катушки и приподнимите катушку из колпачка. (Рис. 12) Снимите пустую катушку. (Рис. 13)
2. Извлеките пружину и колпачок из пустой катушки и поместите их новую катушку. Затем пропустите две режущих нити из новой катушки через отверстия колпачка. (Рис. 14)
3. Поместите новую катушку в держатель и вдавите колпачок, чтобы он защелкнулся. (Рис. 15)

8. ЗАПРАВКА РЕЖУЩЕЙ НИТИ

Для заправки режущей нити выполните следующие действия:

1. Отключите инструмент от сети.
2. Снимите пустую катушку. (Рис. 12 и 13)
3. Обрежьте новую режущую нить, чтобы ее длина составляла менее 8 м, и сложите ее пополам.
4. Подцепите новую режущую нить к прорези в центре катушки между двумя каналами, предназначенными для режущей нити. Стрелка на катушке указывает направление намотки нити. (Рис. 16)
5. Аккуратно намотайте режущую нить вокруг секции А (10). Наматывайте нить плотно и равномерно, чтобы поверхность намотанной нити была ровной. (Рис. 17)
6. Оставьте около 100 мм нити на петле держателя нити (12) сбоку катушки. (Рис. 18)
7. Намотайте режущую нить на секцию В (11) таким же образом и оставьте конец нити на петле. (Рис. 17 и 19)

8. Установите катушку в колпачок таким образом, чтобы место висящих нитей (13) совпадало с выемками (14) сбоку колпачка (15). (Рис. 20)
9. Снимите с петель концы нитей и поместите их в выемки сбоку колпачка. (Рис. 21)



ПРЕДОСТЕРЕЖЕНИЕ: Убедитесь, что колпачок надежно закреплен на держателе катушки. В противном случае компоненты могут разлететься в стороны, что может привести к серьезным травмам.

10. Убедитесь, что пружина на месте. Задвиньте колпачок (15) в держатель катушки (16). Убедитесь, что защелки полностью вошли в колпачок. (Рис. 14, 15 и 22)
11. Нажмите кнопку катушки (18) и вытяните один конец режущей нити. Убедитесь, что нить выведена. (Рис. 22 и 23)
12. Затем вытяните другой конец нити, не нажимая на кнопку катушки. Убедитесь, что нить выведена.

9. ПОДАЧА РЕЖУЩЕЙ НИТИ

Короткие или изношенные нити режут менее эффективно. Чтобы улучшить работу в следующий раз, слегка стукните кнопкой катушки о землю (инструмент при этом должен работать на максимальной скорости). Это автоматически подаст дополнительную режущую нить. Во время работы лезвие (17) под ограждением автоматически обрежет нить на необходимую длину. (Рис. 22 и 24)



ПРИМЕЧАНИЕ: Удары по твердым или абразивным предметам (например, ограждения, бетон и камни), скрытым в высокой траве, могут привести к обрыву режущей нити. В этом случае выполните процедуру подачи нити.

10. ИНСТРУКЦИЯ ПО ЭКСПЛУАТАЦИИ

Включите инструмент для резки, прежде чем приближаться к обрабатываемой траве. Срежьте траву, медленно перемещая справа налево инструмент, наклоненный под углом 30°. Высокую траву следует срезать слоями, начиная сверху. Срезы должны быть короткими. Не косите влажную или мокрую траву. Избегайте быстрого износа нити из-за ударов о твердые предметы (камни, стены, ограждения и т.д.). Используйте край ограждения для поддержания нужного расстояния.



ПРЕДОСТЕРЕЖЕНИЕ: Для подачи режущей нити не применяйте чрезмерное усилие и не бейте об землю полуавтоматическую головку инструмента. Если после удара о землю работающего инструмента нить не вышла, режущая нить могла запутаться или оборваться внутри картриджа (либо нить могла закончиться).

ПРИМЕЧАНИЕ: Чрезмерное усилие или удары об землю полуавтоматической головки инструмента может привести к повреждению полуавтоматической головки.



ПРЕДОСТЕРЕЖЕНИЕ: После выключения мотора режущая головка продолжает вращаться в течение нескольких секунд.

11. УДЛИНИТЕЛЬНЫЕ ШНУРЫ

Разрешается использовать только стандартные удлинительные шнуры для наружных работ с оболочкой из ПВХ или гибкие для тяжелых условий эксплуатации в резиновой оплетке, сечением не менее 0,75 мм².

Перед использованием проверьте сетевой и удлинительный кабели на предмет повреждений, если имеются следы повреждения или старения, отсоедините такой кабель. В случае повреждения кабеля во время работы немедленно отсоедините кабель от источника питания. **НЕ КАСАЙТЕСЬ КАБЕЛЯ ДО ОТКЛЮЧЕНИЯ ОТ ИСТОЧНИКА ПИТАНИЯ.** Не используйте устройство, если кабель поврежден или изношен. Располагайте удлинительный кабель в стороне от режущих элементов.



ПРЕДОСТЕРЕЖЕНИЕ: Следите за тем, чтобы вентиляционные отверстия не были засорены.

12. ОБСЛУЖИВАНИЕ

1. После эксплуатации отсоедините инструмент от сети и проверьте на наличие повреждений.
2. Если электроинструмент не используется, он должен храниться в месте, недоступном для детей.
3. Ремонт инструментов для резки, работающих от сети, должен производиться в официальном сервисном центре.
4. При возникновении необходимости ремонта или регулировки, не описанных в данном руководстве, обратитесь в официальный сервисный центр.
5. Используйте только рекомендованные производителем запасные части и принадлежности.

13. ЭКОЛОГИЧЕСКИ БЕЗОПАСНАЯ УТИЛИЗАЦИЯ



Согласно директиве ЕС 2002/96/ЕС по электрическому и электронному оборудованию и ее реализации в национальном законодательстве все электроинструменты необходимо собирать отдельно и сдавать на экологически

безопасную переработку. Другой вариант утилизации: Если владелец электроинструмента не возвращает инструмент производителю, он несет ответственность за надлежащую утилизацию в определенных пунктах сбора, где происходит подготовка изделий к

переработке в соответствии с национальными законами и правилами по переработке. Это не распространяется на дополнительные принадлежности и инструменты без электрических и электронных компонентов.

Декларация о соответствии ЕС Makita Corporation, являясь ответственным производителем, заявляет, что следующие устройства Makita:

Обозначение устройства: Электрокоса

№ модели / тип: UR3000

Технические характеристики: см. таблицу

“ТЕХНИЧЕСКИЕ ХАРАКТЕРИСТИКИ”.

являются серийными изделиями и

Соответствуют следующим директивам ЕС:

2000/14/ЕС, 2004/108/ЕС, 2006/42/ЕС, 2006/95/ЕС

И изготовлены в соответствии со следующим стандартом или нормативными документами:

EN55014, EN60335, EN61000, EN62233

Техническая документация хранится у официального представителя в Европе:

Makita International Europe Ltd.

Michigan, Drive, Tongwell,

Milton Keynes, MK15 8JD, England

Процедура оценки соответствия согласно директиве 2000/14/ЕС была проведена в соответствии с приложением VIII.

Уполномоченный орган:

TÜV SÜD Industrie Service GmbH

Westendstraße 199, D-80686 München

Идентификационный №: 0036

Измеренный уровень звуковой мощности: 92,7 dB (A)

Гарантированный уровень звуковой мощности: 96 dB (A)

17. 12. 2010

Tomoyasu Kato (Томоясую Като)

Директор

Makita Corporation

3-11-8, Sumiyoshi-cho,

Anjo, Aichi, JAPAN

HRVATSKI (Originalne upute)

Želimo vam zahvaliti što se odabrali naš proizvod. Uvjereni smo da će visoka kvaliteta našeg stroja zadovoljiti vaša očekivanja i da ćemo vam ponuditi dugotrajnu uslugu.

Prije pokretanja stroja, obavezno pročitajte ove upute koje su posebno sastavljene kako bismo vam mogli pružiti sve neophodne informacije za pravilnu uporabu u skladu s osnovnim sigurnosnim zahtjevima.



SIMBOLI

Na vašem se alatu možda koriste neki od sljedećih simbola, molimo proučite ih i naučite njihovo značenje. Pravilna interpretacija ovih simbola omogućit će vam sigurnije i učinkovitije korištenje alata.

SIMBOLI	NAZIV	OBJAŠNENJE
	Oznaka CE	Proizvod zadovoljava zahtjeve i odredbe definirane od strane Europske komisije (sada Europske unije).
	Konstrukcija klase II	Dvostruko izolirana konstrukcija.
	OZNAKA WEEE	OPREZ! Neupotrebljivi električni alati ne smiju se odlagati zajedno s otpadom iz domaćinstava. Treba ih odnijeti u centar za prikupljanje komunalnog otpada radi odlaganja sigurnog po okoliš u skladu s lokalnim odredbama.
	Pročitajte upute za rukovatelje	Da biste umanjili opasnost od ozljeda, obavezno pročitajte u shvatite upute za rukovatelja prije uporabe ovog proizvoda.
	Električni udar!	Iskopčajte utikač iz strujne mreže ako je kabel oštećen ili istrošen.
	Ne izlažite kiši	Vaš alat ne ostavljajte na otvorenom ili izložen kiši.
	Koristite zaštitu za oči	Da biste umanjili opasnost za vaše oči, koristite zaštitu za oči!
	Oznaka razine buke	Buka vašeg stroja nije veća od 96 dB.
	UDALJITE SVE PROMATRAČE!	UDALJITE SVE PROMATRAČE!

1. VAŽNE SIGURNOSNE UPUTE

Svrha sigurnosnih pravila je da privuku vašu pozornost na moguće opasnosti. Sigurnosni simboli i njihova objašnjenja zahtijevaju vašu pažnju i razumijevanje. Sigurnosna upozorenja ne uklanjaju bilo koju opasnost. Uvijek koristite odgovarajuću zaštitnu opremu, poput štitnika, iako se pridržavate sigurnosnih uputa i upozorenja.



UPOZORENJE: Nepridržavanje sigurnosnih upozorenja može dovesti do ozbiljnih ozljeda vas i drugih. Uvijek slijedite sigurnosne mjere opreza kako biste smanjili rizik od požara, strujnog udara ili ozljeda. Pohanite vlasnički priručnik i redovito ga pregledavajte za nastavak sigurnog rada i upućivanje drugih koji bi mogli koristiti ovaj alat.



SIGURNOSNI SIMBOL UPOZORENJA: Označava oprez ili upozorenje i može biti korišten u sprezi s ostalim simbolima ili slikama.



UPOZORENJE: Trimer nikada ne koristite bez pravilno montiranog štitnika. Nepridržavanje ovog upozorenja može rezultirati teškim osobnim ozljedama.



UPOZORENJE: Upoznajte se s kontrolama i pravilnim korištenjem opreme.



UPOZORENJE: Ovaj stroj proizvodi elektromagnetsko polje za vrijeme rada. U nekim okolnostima ovo polje može ometati aktivne i pasivne medicinske usatke. Da biste smanjili rizik od ozbiljne i fatalne ozljede preporučamo osobama s medicinskim usadcima da se konzultiraju sa svojim liječnikom i proizvođačem medicinskog usatka prije upravljanja strojem.



UPOZORENJE: Rad na bilo kojem alatu može rezultirati ubacivanjem stranog objekta u vaše oči, što može dovesti do sljepoće ili teških ozljeda očiju. Prije početka rada na električnom stroju uvijek nosite zaštitne naočale sa zaštitom sa bočnim štitnicima i štitnik za cijelo lice kada je potrebno. Preporučujemo zaštitnu masku sa širokim kutom gledanja za korištenje preko naočala ili standardnih sigurnosnih naočala s bočnim štitnikom.

1. Ovaj uređaj nije namijenjen za rukovanje od osoba (uključujući i djecu) sa smanjenim fizičkim, senzornim ili mentalnim sposobnostima, ili s nedovoljnim iskustvom i znanjem, osim ako nisu pod nadzorom ili ne dobivaju upute za rukovanje strojem od strane osobe odgovorne za njihovu sigurnost.
2. Djeca moraju biti pod nadzorom kako biste se uvjerili da se ne igraju s uređajem.
3. Pažljivo pročitajte upute.
4. Upoznajte se s kontrolama i pravilnim korištenjem opreme.
5. Prije uporabe provjerite kabel napajanja i produžni kabel radi znakova oštećenja ili starenja.
6. Ako se kabel ošteti tijekom korištenja, odmah ga izvucite iz izvora napajanja. **NE DODIRUJTE KABEL PRIJE IZVLAČENJA IZ IZVORA NAPAJANJA.**
7. Ne koristite trimmer za travu (kutni trimmer) ako su kabeli oštećeni ili istrošeni.
8. Upozorenje: Rezni elementi se nastavljaju okretati i nakon isključivanja motora.
9. Držite produžne kabele podalje od reznih elemenata.
10. Koristite zaštitne naočale.

11. Nikada ne dopustite djeci ili osobama koje nisu upoznate s uputama za korištenje stroja.
12. Nikada ne koristite stroj dok su u blizini ljudi, a naročito djeca ili kućni ljubimci.
13. Stroj koristite isključivo pri danjem svjetlu ili uz dobru umjetnu rasvjetu.
14. Prije uporabe stroja i nakon svakog udarca, provjerite znakove habanja ili oštećenja i popravite po potrebi.
15. Nikada ne rukujte strojem s oštećenim štitnicima ili bez namještenih štitnika.
16. Ruke i stopala uvijek držite podalje od sredstava za rezanje, a naročito prilikom pokretanja motora.
17. Zaštitite se od ozljeda uslijed bilo kojeg ugrađenog uređaja za određivanje duljine niti za rezanje. Nakon produživanja nove niti za rezanje, uvijek vratite stroj u normalan radni položaj prije uključivanja.
18. Nikada ne montirajte metalne elemente za rezanje.
19. Nikada ne koristite zamjenske dijelove ili opremu koje nije preporučio proizvođač.
20. Prije provjeravanja, čišćenja ili radova na stroju te kada se ne koristi isključite stroj iz električnog napajanja.
21. Uvjerite se da su otvori za zrak očišćeni od naslaga prljavštine.
22. Kada na stroju koriste slikovni simboli za označavanje, njihova funkcija bit će objašnjena.
23. Uvijek iskopčajte trimmer iz električne mreže kada ga ostavljate bez nadzora.
24. Kada stroj ne koristite, spremite ga izvan dohvata djece.
25. Električki napajane trimere smije se popravljati samo u ovlaštenom servisnom centru.
26. U slučaju potrebe za bilo kojim popravkom ili podešavanjem koji nisu opisani u ovom priručniku za pomoć se obratite ovlaštenom servisnom centru.
27. Koristite isključivo zamjenske dijelove i opremu preporučene od strane proizvođača.



Zbog politike tvrtke Makita za neprestano poboljšavanje proizvoda, svojstva i specifikacije proizvoda mogu se promijeniti bez obavijesti.

2. OPĆA IDENTIFIKACIJA (sl. 1)

- | | |
|-----------------------------------|-----------------------------|
| 1. Sigurnosna tipka za blokiranje | 6. Prekidač za uključivanje |
| 2. Pomoćna ručka | 7. Cijev |
| 3. Gumb za blokiranje | 8. Kućište motora |
| 4. Gumb za podešavanje | 9. Sigurnosni štitnik |
| 5. Glavna ručka | |

Oprema:

- Remen
- Staklo za zaštitu očiju

3. SPECIFIKACIJE

Model	UR3000
Nazivni napon:	230 - 240 V~
Nazivna frekvencija:	50 - 60 Hz
Nazivna snaga:	450 W
Brzina bez opterećenja:	9.000 min ⁻¹
Širina rezanja:	300 mm
Dimenzija rezne niti:	Φ1,65 mm
Razina zvučnog tlaka u položaju rukovatelja:	75,1dB (A) K=3 dB (A)
Zajamčena razina jačine zvuka:	96 dB (A)
Vibracija:	2,73 m/s ² K=1,5 m/s ²
Veličina (D/ Š/ V):	1.016 - 1.256 / 301 / 262 mm
Neto težina:	2,6 kg


4. UPUTE ZA SASTAVLJANJE


Trimer se dostavlja s određenim dijelovima koji nisu sastavljeni. Za sastavljanje tih dijelova postupite kao što slijedi:


4-1 Sastavljanje sigurnosnog štitnika

Pričvrstite sigurnosni štitnik na kućište motora. (SI. 2 i 3)

1. Postavite sigurnosni štitnik na kućište motora.
2. Zakrenite sigurnosni štitnik u pravilni položaj.
3. Pričvrstite sigurnosni štitnik na kućište motora pomoću vijka.

 **UPOZORENJE:** Zaštitite se od ozljeda uslijed oštrice montirane na štitniku za određivanje duljine niti za rezanje. Nakon produljivanja nove niti za rezanje, uvijek vratite trimer u normalan radni položaj prije uključivanja.

 **UPOZORENJE:** Nikada ne montirajte metalne elemente za rezanje.

 **UPOZORENJE:** Stroj nikada ne koristite bez pravilno montiranog štitnika. Nepridržavanje ovog upozorenja može rezultirati teškim osobnim ozljedama.

4-2 Sastavljanje pomoćne ručke

1. Pričvrstite pomoćnu ručku na nosač. (SI. 4)
2. Umetnite vijke u rupe na nosaču ručke i ručki i zavijte gumb za blokiranje na vijak, ali nemojte sasvim pritegnuti. (SI. 5)
3. Postavite glavu stroja na tlo i potom podesite pomoćnu ručku u položaj koji će vam odgovarati: (SI. 6)
 - 3a. Pritisnite gumb za podešavanje i podesite željenu duljinu cijevi.
 - 3b. Zakrenite pomoćnu ručku pod željeni kotom koji će vam odgovarati.
4. Zavijte gumb za blokiranje kako biste učvrstili pomoćnu ručku.

5. POKRETANJE

Prije pokretanja trimera pričvrstite produžni kabel u otvor u glavnoj ručki. (SI. 7 i 8)

Čvrsto uhvatite trimer i bez dodirivanja trave koju želite kositi pritisnite sigurnosni gumb za blokiranje i prekidač za uključivanje s gornje strane i zadržite stisak.

Da biste isključili trimer, otpustite prekidač za uključivanje. (SI. 9)



UPOZORENJE: Uključite motor isključivo kada se vaše ruke i stopala nalaze podalje od sredstava za rezanje.

6. UPORABA TRIMERA ZA KUTNO KOŠENJE

Za kutno košenje prilaza i putova, promijenite trimer iz načina za košenje u način za kutno košenje na sljedeći način:

1. Držite cijev trimera jednom rukom i pritisnite gumb za zakretanje drugom rukom. (SI. 10)
2. Zakrenite cijev za 180° dok ne uskoči na mjesto za kutno košenje. (SI. 11)



UPOZORENJE: Da biste spriječili slučajno pokretanje koje može uzrokovati teške tjelesne ozljede, uvijek isključite kabel napajanja prije pokušaja zakretanja osovine.

7. ZAMJENA ULOŠKA S REZNO M NITI

Vaš se trimer isporučuje s uloškom s reznom niti za jednokratnu uporabu i stoga nema potrebe za mukotrpnim ponovnim namotavanjem rezne niti.

Prazan uložak s reznom niti zamijeniti kao što slijedi:

1. Pritisnite oba jezička za otpuštanje na držaču kalema i podignite ga iz pokrova (SI. 12) te uklonite prazni uložak. (SI. 13)
2. Oprugu i pokrov premjestite s praznog na novi kalem i potom provucite dvije rezne niti novog kalema kroz rupe na pokrovu. (SI. 14)

- Nov kalem postavite u držač kabela i potom pritisnite pokrov prema dolje dok ne uskoči na svoje mjesto ispod jezičaka za otpuštanje. (SI. 15)

8. PONOVO NAMATANJE REZNE NITI

Za ponovno namatanje rezne niti:

- Isključite stroj iz električnog napajanja.
- Uklonite prazni kalem. (SI. 12 i 13)
- Odrežite novu reznu nit na manje od 8 m duljine i presavijte je na polovici.
- Zakačite sredinu rezne niti na zarez u središtu kalema između 2 kanala za namatanje rezne niti. Strelica na kalemu prikazuje smjer namatanja rezne niti. (SI. 16)
- Pravilno namotajte reznu nit oko odjeljka A (10). Pazite da je namotate tijesno kako se površina namotane niti ne bi habala. (SI. 17)
- Namotajte čitavu reznu nit, osim pribl. 100 mm, a kraj privremeno zakačite na držač niti (12) na boku kalema. (SI. 18)
- Namotajte reznu nit na odjeljak B (11) na jednak način i privremeno zakačite kraj. (SI. 17 i 19)
- Montirajte kalem na pokrov tako da položaj privremeno zakačene rezne (13) niti odgovara zarezima (14) na bočnim stranama pokrova (15). (SI. 20)
- Otkočite krajeve rezne niti iz svog privremenog položaja i montirajte ih u zareze na bočnim stranama pokrova. (SI. 21)



UPOZORENJE: Pobrinite se da pokrov bude pravilno pričvršćen na držaču kalema. Ako pokrov ne pričvrstite sigurno, može se dogoditi da se dijelovi razlete i prouzroče teške tjelesne ozljede.

- Obavezno provjerite nalazi li se opruga na svom mjestu. Pritisnite pokrov (15) u držaču kalema (16). Uvjerite se da su se jezičci u pokrovu potpuno otvorili. (SI. 14, 15 i 22)
- Pritisnite gumb kalema (18) i izvucite jedan kraj rezne niti. Pobrinite se da rezna nit bude izvedena van. (SI. 22 i 23)
- Na kraju, povucite drugi kraj rezne niti bez pritiskanja gumba kalema. Pobrinite se da rezna nit bude izvedena van.

9. IZVLAČENJE REZNE NITI

Kratke ili pohabane rezne neučinkovitije kose. Da biste poboljšali rad u kasnijim slučajevima, lagano udarite gumbom kalema o tlo, dok trimmer radi pri punoj brzini. Tako će se automatski dodatno izvući rezna nit. Oštrica za skraćivanje rezne niti (17) pod štitnikom automatski će skratiti reznu nit na pravilnu duljinu tijekom rada. (SI. 22 i 24)



NAPOMENA: Udaranjem u tvrde ili hrapave predmete, kao što su ograde, beton ili kamenje skriveno u travi može uzrokovati pucanje rezne niti. Ako rezna nit pukne, slijedite postupak za izvlačenje rezne niti.

10. UPUTE ZA UPORABU

Pokrenite trimmer prije nego ga približite travi koju želite kositi.

Kosite travu pomicanjem trimera s lijeve na desnu stranu i napredujte polako, držeći trimmer pod kutom od pribl. 30°. Visoku travu treba kositi u slojevima, uvijek počevši od vrha. Rezovi trebaju biti kratki.

Ne kosite vlažnu ili mokru travu.

Izbjegavajte brzo trošenje rezne niti udaranjem u tvrde predmete (kamenje, zidove, ograde i sl.). Uporabite rub štitnika kako biste držali trimmer na pravilnoj udaljenosti.



UPOZORENJE: Prilikom izvlačenja rezne niti ne koristite prekomjernu silu i ne udarajte jako reznom glavom trimera o tlo. Ako se rezna nit ne izvlači nakon udaranja rezne glave ot lo tijekom rada trimera, rezna nit se možda zamrsila ili je pukla u ulošku ili se možda istrošila.

NAPOMENA: Prekomjerna sila i jako udaranje reznom glavom trimera o tlo za izvlačenje rezne niti može oštetiti reznu glavu.



UPOZORENJE: Rezna glava se nakon zaustavljanja motora nekoliko sekundi nastavlja okretati.

11. PRODUŽNI KABEli

Koristite samo produžne kabele za uporabu na otvorenom, PVC kabel za uobičajena opterećenja ili fleksibilni kabel s gumenim plaštem za velika opterećenja s površinom poprečnog presjeka ne manjom od 0,75 mm².

Prije korištenja provjerite napajanje i produžne kabele zbog mogućih znakova oštećenja prilikom rada, iskopčajte kabele na kojima ste primijetili oštećenje ili istrošenost. Ako se kabel ošteti tijekom korištenja, odmah ga izvucite iz izvora napajanja. **NE DODIRUJTE KABEL PRIJE IZVLAČENJA IZ IZVORA NAPAJANJA.** Ne koristite uređaj ako je kabel oštećen ili istrošen. Držite produžni kabel udaljen od reznih elemenata.



UPOZORENJE: Uvjerite se da su otvori za zrak očišćeni od naslaga prljavštine.

12. ODRŽAVANJE

- Nakon uporabe isključite stroj iz električnog napajanja i provjerite ima li oštećenja.
- Kada stroj ne koristite, spremite ga izvan dohvata djece.
- Električki napajane trimere smije se popravljati samo u ovlaštenom servisnom centru.
- U slučaju potrebe za bilo kojim popravkom ili podešavanjem koji nisu opisani u ovom priručniku za pomoć se obratite ovlaštenom servisnom centru.
- Koristite isključivo zamjenske dijelove i opremu preporučene od strane proizvođača.

13. EKOLOŠKI PRIHVATLJIVO ODLAGANJE



Sukladno s EU smjernicom 2002/96/EC o električnoj i elektroničkoj opremi i njihovoj implementaciji u nacionalno pravo, svi električni alati moraju se odvojeno prikupljati i ekološki prihvatljivo reciklirati. Alternativno odlaganje: Ukoliko vlasnik stroja ne vrati stroj proizvođaču, on je odgovoran za pravilno odlaganje na za to predviđenom odlagalištu gdje se isti dalje priprema za recikliranje u skladu s nacionalnim zakonima i odredbama o recikliranju.

Navedeno ne uključuje pomoćnu opremu i alate bez električnih ili elektroničkih dijelova.

EC Izjava o sukladnosti

Mi, Makita Corporation, kao odgovorni proizvođač izjavljujemo da su slijedeći Makita strojevi:

Oznaka stroja: Trimer za travu

Model br./ Vrsta: UR3000

Specifikacije: pogledajte tablicu „SPECIFIKACIJE“: serijski proizvedeni i

U sukladnosti sa slijedećim europskim smjernicama:

2000/14/EC, 2004/108/EC, 2006/42/EC, 2006/95/EC

I proizvedeni su u skladu sa slijedećim standardom ili standardiziranim dokumentom:

EN55014, EN60335, EN61000, EN62233

Tehničku dokumentaciju čuva naš ovlašteni predstavnik u Europi koji je:

Makita International Europe Ltd.

Michigan Drive, Tongwell,

Milton Keynes, MK15 8JD, Engleska

Postupak ocjenjivanja sukladnosti koje zahtijeva

Smjernica 2000/14/EC je u skladu sa Aneksom VIII.

Prijavljeno tijelo:

TÜV SÜD Industrie Service GmbH

Westendstraße 199, D-80686 München

Identifikacijski broj: 0036

Izmjerena razina jačine zvuka: 92,7 dB (A)

Zajamčena razina jačine zvuka: 96 dB (A)

17. 12. 2010

Tomoyasu Kato

Direktor

Makita Corporation

3-11-8, Sumiyoshi-cho,

Anjo, Aichi, JAPAN

SLOVENŠČINA (Izvirna navodila)

Zahvaljujemo se vam, da ste izbrali naš izdelek. Prepričani smo, da bo visoka kakovost našega stroja zadovoljila vaše potrebe in pričakovanja, ter zagotovila dolgoročno uporabo.

Pred uporabi stroja skrbno preberite navodila za uporabo, ki so napisana z namenom, da zagotovimo potrebne informacije za ustrezno uporabo v skladu z osnovnimi varnostnimi pogoji.



SIMBOLI

Nekateri od sledečih simbolov se lahko pojavijo na vašem orodju, zato jih prosim preučite in se naučite njihov pomen. Pravilno razumevanje teh simbolov vam omogoča varnejšo in učinkovitejšo uporabo orodja.

SIMBOLI	IME	RAZLAGA
	Oznaka CE	Izdelek izpolnjuje zahteve in predpise Evropske skupnosti (sedaj Evropske Unije).
	Sestava stroja sodi v razred II	Dvojno izolirana sestava stroja.
	WEEE OZNAKA	POZOR! Neuporabljena električna orodja ne spadajo med gospodinjne odpadke. Odstraniti jih je potrebno na komunalnem zbirališču odpadkov za okolju prijazno odstranitev, ki je v skladu z lokalnimi predpisi.
	Preberite navodila za uporabo	Uporabniki morajo pred prvo uporabo stroja prebrati in razumeti navodila za uporabo, da zmanjšajo možnosti poškodb.
	Električni udar!	Izklopite vtič iz električnega omrežja, če je kabel poškodovan ali zavozlan.
	Ne izpostavljajte dežju	Ne puščajte orodja na prostem ali dežju.
	Nosite zaščito za oči	Da boste zmanjšali nevarnost za vaše oči, nosite zaščito za oči!
	Oznaka za stopnjo hrupa	Hrup vašega orodja ne presega 96 dB.
	VSE PRISOTNE OSEBE NAJ SE UMAKNEJO!	VSE PRISOTNE OSEBE SE MORAJO UMAKNITI!

1. POMEMBNI VARNOSTNI UKREPI

Namen varnostnih pravil je pritegniti vašo pozornost na morebitne nevarnosti. Varnostni simboli in njihove razlage zahtevajo vašo pozornost in razumevanje. Varnostna opozorila sama po sebi ne zmanjšujejo nevarnosti. Čeprav upoštevate varnostna navodila in opozorila, vedno uporabljajte ustrezno zaščitno opremo, kot npr. zaščitni pokrov.



OPOZORILO: Neupoštevanje varnostnih opozoril lahko vodi do resnih poškodb vas in drugih. Vedno upoštevajte varnostne ukrepe, da zmanjšate tveganje požara, električnega udara in osebne poškodbe. Priročnik shranite in ga vsake toliko časa pregledajte, da boste ohranili varno upravljanje ter dali ustrezna navodila drugim uporabnikom te naprave.



OPOZORILO: Nikoli ne uporabljajte kosilnice brez nameščenega varnostnega pokrova. Neupoštevanje tega opozorila lahko vodi do resnih poškodb.



SIMBOL ZA NEVARNOST: Označuje opozorilo in je lahko uporabljen skupaj z drugimi simboli ali slikami.



OPOZORILO: Bodite seznanjeni s funkcijami za upravljanje in z ustrezno uporabo dodatne opreme.



OPOZORILO: Kosilnica med delovanjem proizvaja elektromagnetno polje. V nekaterih primerih lahko to polje vpliva na aktivne ali pasivne medicinske vsadke. Če želite zmanjšati tveganje za težje ali smrtne poškodbe, priporočamo, da se osebe z medicinskimi vsadki pred uporabo kosilnice posvetujejo s svojim zdravnikom in proizvajalcem medicinskega vsadka.



OPOZORILO: Z upravljanjem kateregakoli orodja lahko v vaše oči priletijo predmeti in povzročijo izgubo vida ali resne poškodbe oči. Pred uporabo električnih naprav vedno nosite zaščitna očala s stransko zaščito in, če je potrebno, zaščitno masko. Priporočamo uporabo zaščitne maske preko zaščitnih očal ali standardna zaščitna očala s stransko zaščito.

1. Naprava ni namenjena uporabi s strani oseb (vključno z otroci) z zmanjšanimi fizičnimi, čutilnimi ali psihičnimi sposobnostmi, ter s pomanjkanjem izkušenj in znanja, razen, če jim oseba, odgovorna za njihovo varnost, nudi nadzor in ustrezna navodila glede uporabe naprave.
2. Zagotovite ustrezen nadzor otrok in preprečite igranje za napravo.
3. Pozorno preberite navodila.
4. Bodite seznanjeni s funkcijami za upravljanje in z ustreznim uporabo dodatne opreme.
5. Pred uporabo preverite morebitne znake poškodb ali staranja napajalnega kabla in podaljška.
6. Če se kabel med uporabo poškoduje, ga takoj izključite iz napajanja. **PRED IZKLOPOM IZ NAPAJANJA SE NE DOTIKAJTE KABLA .**
7. Ne uporabljajte obrezovalnika trat (obrezovalnik robov), če so kabli poškodovani ali obrabljeni.
8. Opozorilo: Ko je motor ugasnjen, se rezila še vedno obračajo.
9. Kabel podaljška naj bo oddaljen od rezil.
10. Nosite zaščitna očala.
11. Nikoli ne dovolite uporabe tega stroja otrokom ali osebam, ki niso seznanjene s temi navodili.

12. Ne uporabljajte stroja v bližini ljudi, še posebej otrok ali hišnih ljubljencev.
13. Stroj uporabljajte le podnevi ali pri dobri umetni svetlobi.
14. Pred uporabo stroja in po morebitnem električnem udaru, se prepričajte o morebitnih obrabah ali poškodbah in jih po potrebi tudi popravite.
15. Nikoli ne uporabljajte stroja s poškodovanimi varnostnimi pokrovi ali brez nameščenih varnostnih pokrovov.
16. Vedno odmaknite roke in stopala proč od glave z rezalno nitjo, še posebej pri vklopljenem motorju.
17. Pazite se pred poškodbami na napravah, ki se uporabljajo za rezanje nitke na ustrezno dolžino. Kadar podaljšujete rezalno nit, se pred vnovičnem vklopu s strojem vedno vrnite v običajen položaj upravljanja.
18. V nobenem primeru ne uporabljajte kovinske rezalne niti.
19. Nikoli ne uporabljajte nadomestnih delov in pripomočkov, ki jih ni priložil ali priporočil proizvajalec.
20. Pred pregledom, čiščenjem ali delom na napravi in kadar stroja ne uporabljate, vedno izklopite stroj iz električnega omrežja.
21. Poskrbite za to, da v odprtinah za prezračevanje nikoli ni smeti.
22. Če je stroj označen s simboli je potrebno ustrezno obrazložiti njihov pomen.
23. Vedno izklopite kosilnico iz električnega omrežja, če jo nameravate pustiti brez nadzora.
24. Ko stroj ni v uporabi, ga shranite izven dosega otrok.
25. Popravilo električnih kosilnic naj izvajajo na za to pooblaščenem servisnem centru.
26. Na pooblaščenih servisnih centrih povprašajte o popravilih ali nastavitvah, ki niso opisane v navodilih za uporabo.
27. Uporabljajte le nadomestne dele in pripomočke, ki jih priporoča proizvajalec.



Podjetje Makita nenehno izboljšuje svoje izdelke, zato se lahko značilnosti in podrobnosti izdelkov spremenijo brez predhodnega opozorila.

2. Sestavni elementi (Sl. 1)

- | | | |
|----------------------|-----------------------------|--------------------------|
| 1. Varnostno stikalo | 6. Stikalo za Vkllop/Izklop | Pripomočki: |
| 2. Dodaten ročaj | 7. Cev | • Jermen |
| 3. Matica | 8. Ohišje motorja | • Zaščitno steklo za oči |
| 4. Nastavitveni gumb | 9. Zaščitni pokrov | |
| 5. Glavni ročaj | | |

3. SPECIFIKACIJE

Model	UR3000
Nazivna napetost:	230 - 240 V~
Nazivna frekvenca:	50 - 60 Hz
Nominalna moč:	450 W
Hitrost brez obremenitve:	9.000 min ⁻¹
Širina rezanja:	300 mm
Debelina niti:	Φ1,65 mm
Raven zvočne moči na mestu operaterja:	75,1 dB (A) K=3 dB (A)
Zagotovljena raven zvočne moči:	96 dB (A)
Vibracije:	2,73 m/s ² K=1,5 m/s ²
Mere (dolžina/širina/višina):	1.016 - 1.256 / 301 / 262 mm
Neto teža:	2,6 kg

4. NAVODILA ZA SESTAVLJANJE

Kosilnica vsebuje nesestavljene dele. Sestavljanje izvajajte po naslednjem postopku:

4-1 Sestavljanje zaščitnih pokrovov

Pritrdite zaščitni pokrov na ohišje motorja. (SI. 2 in 3)

1. Namestite zaščitni pokrov na ohišje motorja.
2. Zavrtite zaščitni pokrov na pravi položaj.
3. Pritrdite z vijakom zaščitni pokrov na ohišje motorja.



OPOZORILO: Pazite, da se ne poškodujete na rezilu za rezanje niti na ustrezno dolžino, ki je pritrjeno na zaščitni pokrov. Kadar podaljšujete rezalno nit, se pred vnovičnem vklopu s kosilnico vedno vrnite v običajen položaj upravljanja.



OPOZORILO: V nobenem primeru ne uporabljajte kovinske rezalne niti.



OPOZORILO: Nikoli ne uporabljajte kosilnice brez nameščenega varnostnega pokrova. Neupoštevanje tega opozorila lahko vodi do resnih poškodb.

4-2 Sestavljanje dodatnega ročaja

1. Pritrdite dodatni ročaj na oporo. (SI. 4)
2. Vstavite vijak v odprtine na opori za ročaj in na ročaju, ter privijte matico na vijak, a ne premočno. (SI. 5)
3. Posadite glavo stroja na tla in prilagodite dodatni ročaj na položaj, ki vam ustreza: (SI. 6)
 - 3a. Pritisnite nastavitveni gumb in ustrezno nastavite dolžino cevi.
 - 3b. Obrnite dodatni ročaj in nastavite sebi ustrezen kot.
4. Privijte matico in s tem pritrđite dodatni ročaj.

5. ZAGON

Pred zagonom kosilnice, pritrđite podaljšek v vtičnico na glavnem ročaju. (SI. 7 in 8)

Čvrsto primite kosilnico in brez, da začnete kositi travnato površino, pritisnete varnostno stikalo in stikalo za Vkllop/ Izklop na zgornjem držalu.

Kosilnico ugasnete tako, da izpustite stikalo za Vkllop/ Izklop. (SI. 9)



OPOZORILO: Vključite motor le v primeru, da ste varno odmaknili roke in stopala proč od glave z rezalno nitjo.

6. UPORABA KOSILNICE KOT OBREZOVALNIK ROBOV

Za obrezovanje tratnih robov ob cestišču in poteh, lahko kosilnico preoblikujete iz načina kosilnice v način obrezovalnika robov s sledečimi koraki:

1. Z eno roko primite cev kosilnice, z drugo pa pritisnite nastavitveni gumb. (SI. 10)
2. Obrnite cev za 180° dokler ne zaskoči v način obrezovanja robov. (SI. 11)



OPOZORILO: Naključen vžig lahko povzroči resne poškodbe, zato pred obračanjem cevi izklopite stroj iz električne napeljave.

7. ZAMENJAVA NAVITJA Z REZALNO NITJO

Vaša kosilnica vsebuje v celoti odstranljivo navitje z rezalno nitjo. S tem se izognete morebitnim težavam pri ponovnem navijanju rezalne niti.

Prazno navitje lahko zamenjate s sledečimi koraki:

1. Pritisnite oba zaskočna zapaha na navitju za nit in odstranite pokrov (SI. 12), nato še odstranite navitje za nit. (SI. 13)
2. Odstranite vzmet in pokrov iz praznega navitja za nit in jih namestite v novo navitje. Nato vtaknite obe rezilni niti novega navitja skozi odprtini pokrova. (SI. 14)
3. Vstavite novo rezilno nit iz koluta v navitje za nit in pritisnite pokrov navzdol, dokler ne zaskočijo zaskočni zapahi. (SI. 15)

8. NAVIJANJE REZALNE NITI

Za navijanje rezalne niti:

1. Stroj izključite iz napajanja.
2. Odstranite prazno navitje za nit. **(SI. 12 in 13)**
3. Odrežite manj kot 8 m dolg kos rezalne niti in jo na sredini upognite.
4. Vstavite sredino novega kosa rezalne niti v režo, ki se nahaja na sredini navitja med obema razdelkoma za rezalno nit. Puščica na navitju označuje smer navijanja rezalne niti. **(SI. 16)**
5. Enakomerno navijte rezalno nit v razdelek A **(10)**. Navijte rezalno nit tesno in ravno, tako da površina navite niti ni nagubana. **(SI. 17)**
6. Navijte celotno rezalno nit z izjemo okrog 100 mm dolgega kosa, ki ga začasno vstavite skozi držalo za nit **(12)**, ki se nahaja na straneh navitja. **(SI. 18)**
7. Enako navijete rezalno nit v razdelek B **(11)** in jo začasno vtaknite skozi držalo za niti. **(SI. 17 in 19)**
8. Namestite navitje na pokrov tako, da je lega začasno vstavljenih rezalnih niti **(13)** skladna z režami **(14)** na straneh pokrova **(15)**. **(SI. 20)**
9. Sprostite konce rezalne niti iz začasne lege in jih vstavite v reže na straneh pokrova. **(SI. 21)**



OPOZORILO: Prepričajte se, da je pokrov ustrezno pritrjen na navitje za nit. Napačna pritrditve pokrova lahko povzročijo, da se sprostijo deli stroja in povzročijo resne poškodbe.

10. Preverite, ali je vzmet na svojem mestu. Potisnite pokrov **(15)** v navitju za nit **(16)**. Prepričajte se, da se reže v pokrovu popolnoma razširijo. **(SI. 14, 15 in 22)**
11. Pritisnite gumb za dovajanje niti **(18)** in povlecite en konec rezalne niti. Prepričajte se, da ste nit izvlekli. **(SI. 22 in 23)**
12. Za konec še izvlecite drug konec niti, brez da pritisnete gumb za dovajanje niti. Prepričajte se, da ste nit izvlekli.

9. DOVAJANJE REZALNE NITI

Kratke ali obrabljene niti so manj učinkovite. Za boljše nadaljnjo uporabo, med polno hitrostjo kosilnice rahlo pritisnite z gumbom za dovajanje niti ob tla. S tem samodejno dovajate dodatno rezalno nit. Rezilo za rezanje niti **(17)**, ki se nahaja pod varnostnim pokrovom, med upravljanjem stroja samodejno odreže rezalno nit na ustrezno dolžino. **(SI. 22 in 24)**



OPOMBA: Premočno pritiskanje ob tla ali jedki predmeti, kot npr. ograje, beton ali kamenje, ki so skriti v visoki travi, lahko utrgajo rezalno nit. Če se rezalna nit utrga, uporabite postopek dovajanja niti.

10. NAVODILA ZA UPORABO

Vključite kosilnico preden se približate travnati površini, ki jo želite pokositi.

Travo kosite tako, da kosilnico premikate od desne proti levi in se počasi pomikajte naprej, pri tem držite kosilnico s približnim naklonom 30°. Visoko travo kosite po plasteh in vedno od zgoraj navzdol. Uporabljajte kratke reze.

Ne režite vlažne ali mokre trave.

Izogibajte se trdi predmetov (kamenje, zidovi, ograje itd.), ki hitreje obrabijo rezalno nit. Uporabljajte rob zaščitnega pokrova, da kosilnico obdržite na ustreznih razdalji.



OPOZORILO: Pri dovajanju rezalne niti ne bodite pregrobi in z gumbom za dovajanje niti ne udarjajte premočno ob tla. V primeru, da dovajanje rezalne niti med uporabo kosilnice po pritisku na gumb za dovajanje niti ne deluje, se je morda v navitju rezalna nit zataknila, utrgala ali pa je navitje za nit prazno.

OPOMBA: Pregrobo upravljanje kosilnice ali premočno udarjanje ob tla z gumbom za dovajanje niti, lahko poškoduje ta gumb.



OPOZORILO: Rezalna glava se nekaj sekund po izključitvi motorja še vedno vrti.

11. PODALJŠKI

Uporabljajte samo PVC podaljške ali prožne robustne gumijaste cevi z oblogo za zunanjo uporabo s površino prečnega preseka, ki presega 0,75 mm².

Pred uporabo se prepričajte, da na napajalnem kablu in podaljšku ni poškodb, med uporabo pa ob znakih poškodb ali staranja izklopite kabel. Če se kabel med uporabo poškoduje, ga takoj izključite iz napajanja. **PRED IZKLOPOM IZ NAPAJANJA SE NE DOTIKAJTE KABLA.** Če je napajalni kabel obrabljen, naprave ne uporabljajte. Kabel podaljška naj bo oddaljen od rezil.



OPOZORILO: Poskrbite za to, da v odprtinah za prepračevanje nikoli ni smeti.

12. VZDRŽEVANJE

1. Po uporabi izklopite stroj iz električne napeljave in preverite prisotnost morebitnih poškodb.
2. Ko stroj ni v uporabi, ga shranite izven dosega otrok.
3. Popravilo električnih kosilnic naj izvajajo na za to pooblaščenem servisnem centru.
4. Na pooblaščenih servisnih centrih povprašajte o nastavitvenih popravilih, ki niso opisane v navodilih za uporabo.
5. Uporabljajte le nadomestne dele in pripomočke, ki jih priporoča proizvajalec.

13. OKOLJU PRIJAZNA ODSTRANITEV



V skladu z evropsko direktivo 2002/96/ES o električni in elektronski opremi in njeno uvedbo v nacionalno zakonodajo se morajo vsa električna orodja zbirati ločeno in reciklirati na okolju prijazen način. Drugi načini odstranjevanja: Če lastnik električna orodja naprave ne vrne proizvajalcu, je odgovoren za pravilno odstranitev na označeno odlagališče, kjer je naprava pripravljena za recikliranje v skladu z nacionalno zakonodajo in uredbami o recikliranju.

To ne zajema dodatkov in orodij brez električnih ali elektronskih sestavnih delov.

ES Izjava o skladnosti

Družba Makita Corporation kot odgovorni proizvajalec izjavlja, da je naslednji stroj Makita:

Oznaka stroja: Kosilnica z nitjo

Št. modela / tip: UR3000

Specifikacije: glejte razpredelnico „SPECIFIKACIJE“.

del serijske proizvodnje in

v skladu z naslednjimi evropskimi direktivami:

2000/14/ES, 2004/108/ES, 2006/42/ES, 2006/95/ES

In je izdelana v skladu z naslednjim standardom ali standardiziranim dokumentom:

EN55014, EN60335, EN61000, EN62233

Tehnično dokumentacijo hrani naš pooblaščen predstavnik za Evropo.

Makita International Europe Ltd.

Michigan Drive, Tongwell,

Milton Keynes, MK15 8JD, England

Postopek za ugotavljanje skladnosti, ki ga predpisuje

Direktiva 2000/14/ES, je v skladu s prilogo VIII.

Priglašeni organ:

TÜV SÜD Industrie Service GmbH

Westendstraße 199, D-80686 München

Identifikacijska številka: 0036

Izmerjena stopnja jakosti zvoka: 92,7 dB (A)

Zajamčena stopnja jakosti zvoka: 96 dB (A)

17. 12. 2010



Tomoyasu Kato

Direktor

Makita Corporation

3-11-8, Sumiyoshi-cho,

Anjo, Aichi, JAPAN

SLOVENČINA (Pôvodné pokyny)

Ďakujeme, že ste si vybrali výrobok našej značky. Sme presvedčení, že vysoká kvalita nášho strojného zariadenia vás uspokojí, splní vaše očakávania a poskytne dlhodobú prevádzku.

Skôr, ako začnete strojné zariadenie používať, dôkladne si prečítajte tento návod, ktorý bol vyhotovený s cieľom poskytnúť vám všetky potrebné informácie pre správne používanie, a to v súlade so základnými požiadavkami na bezpečnosť.



SYMBOLY

Niektoré z nasledujúcich symbolov môžete nájsť na svojom náradí, preto si ich preštudujte a pochopte ich význam; správna interpretácia týchto symbolov vám umožní používať náradie bezpečnejším a účinnejším spôsobom.

SYMBOLY	NÁZOV	VYSVETLENIE
	Označenie CE	Výrobok vyhovuje požiadavkám a nariadeniam Európskych spoločností (teraz Európska únia).
	Konštrukcia triedy II	Konštrukcia s dvojitou izoláciou.
	OZNAČENIE WEEE	UPOZORNENIE! Nepoužívané náradie nepatrí do dopadu z domácnosti. Je potrebné odovzdať ho na zberné miesto komunálneho odpadu s cieľom jeho následnej environmentálne neškodnej likvidácie vykonanej podľa miestnych nariadení.
	Prečítajte si návod na obsluhu	Aby sa znížilo riziko poranenia poranenia, používateľ si musí prečítať a pochopiť návod na obsluhu skôr, ako začne tento výrobok používať.
	Zasiahnutie elektrickým prúdom!	Ak dôjde k poškodeniu alebo zamotaniu kábla, odpojte sieťovú zástrčku.
	Nevystavujte účinkom dažďa	Náradie nevystavujte účinkom exteriérových vplyvov alebo dažďa.
	Používajte ochranu očí	Aby sa znížilo riziko poranenia očí, používajte ochranu očí!
	Označenie úrovne hluku	Hladina hluku vášho náradia nepresahuje hodnotu 96 dB.
	ZABRÁŇTE PRÍSTUPU VŠETKÝCH OKOLOSTOJACICH!	ZABRÁŇTE PRÍSTUPU VŠETKÝCH OKOLOSTOJACICH!

1. DÔLEŽITÉ BEZPEČNOSTNÉ POKYNY

Cieľom bezpečnostných pravidiel je upriamiť pozornosť na možné nebezpečenstvá. Bezpečnostné symboly a vysvetlenia uvedené s nimi vyžadujú dôkladnú pozornosť a pochopenie. Bezpečnostné výstrahy neeliminujú žiadne nebezpečenstvo. Vždy používajte správne bezpečnostné zariadenia, ako je chránič, a to aj pri dodržiavaní bezpečnostných pokynov a výstrah.



SYMBOL BEZPEČNOSTNEJ VÝSTRAHY:

Vyznačuje varovanie alebo výstrahu, ktoré sa môžu používať v spojení s ďalšími symbolmi alebo obrázkami.



VÝSTRAHA: Oboznámte sa s ovládačmi a správnym používaním zariadenia.



VÝSTRAHA: Opomenutie dodržiavať bezpečnostné výstrahy môže mať za následok poranenie seba alebo ostatných. Vždy dodržiavajte bezpečnostné opatrenia s cieľom znížiť riziko požiaru, zasiahnutia elektrickým prúdom alebo osobných poranení. Návod na obsluhu uschovajte a pravidelne si ho pozrite s cieľom dosiahnuť nepretržitú bezpečnú prevádzku a poučiť ostatných, ktorí môžu toto náradie používať.



VÝSTRAHA: Kosačku nikdy nepoužívajte bez správne nainštalovaného chrániča. Opomenutie pri dodržiavaní tejto výstrahy môže mať za následok vážne osobné poranenie.



VÝSTRAHA: Toto strojné zariadenie počas svojej prevádzky produkuje elektromagnetické pole. Toto pole môže v niektorých prípadoch ovplyvňovať činnosť aktívnych alebo pasívnych zdravotných implantátov. Aby sa znížilo riziko vážnych alebo smrteľných úrazov, odporúčame osobám, ktoré používajú zdravotné implantáty, aby sa pred prevádzkovaním tohto strojného zariadenia poradili so svojim lekárom alebo s výrobcom zdravotného implantátu.



VÝSTRAHA: Prevádzka akéhokoľvek náradia môže mať za následok odhodzenie cudzích predmetov do očí s dôsledkom vážneho poškodenia zraku. Pred začatím používania elektrického náradia si vždy nasadzte bezpečnostné okuliare alebo okuliare s bočnými štítlami a v prípade potreby štít na ochranu celej tváre. Odporúčame vám, aby ste si v prípade používania okuliarov alebo štandardných bezpečnostných okuliarov s bočnými štítlami nasadili ochrannú masku so širokým videním.

1. Toto zariadenie nie je určené na používanie osobami (vrátane detí) so zníženými fyzickými, zmyslovými alebo mentálnymi schopnosťami, alebo osobami s nedostatočnými skúsenosťami a znalosťami, a to dokiaľ nepracujú pod dozorom alebo na základe pokynov o používaní zariadenia vydaných od osoby zodpovednej za ich bezpečnosť.
2. V prípade detí je treba dohliadať na to, aby sa so zariadením nehrali.
3. Tieto pokyny si dôkladne prečítajte.
4. Oboznámte sa s ovládačmi a správnym používaním zariadenia.
5. Pred použitím skontrolujte sieťový a predlžovací kábel z pohľadu príznakov poškodenia alebo starnutia.
6. Pokiaľ dôjde počas používania k poškodeniu kábla, okamžite kábel odpojte od prívodu. PRED ODPOJENÍM OD PRÍVODU ELEKTRICKEJ ENERGIE SA KÁBLA NEDOTÝKAJTE.
7. Ak je kábel poškodený alebo opotrebovaný, kosačku na trávniky (kosačku na úpravu okrajov) nepoužívajte.
8. Výstraha: Rezné prvky pokráčujú v otáčaní aj po vypnutí motora.

9. Predlžovací kábel chráňte pred reznými prvkami.
10. Používajte ochranné okuliare alebo štíty.
11. Kosačku nikdy nedovoľte používať deťom ani ľuďom, ktorí neboli oboznámení s pokynmi na používanie tohto strojného zariadenia.
12. Používanie strojného zariadenia zastavte, pokiaľ stojíte v blízkosti osoby, hlavne deti, alebo zvieratá.
13. Strojné zariadenie používajte pri dennom alebo dobrom umelom svetle.
14. Pred používaním strojného zariadenia a po každom náraze skontrolujte príznaky opotrebovania alebo poškodenia a v prípade potreby opravte.
15. Nikdy neprevádzkujte strojné zariadenie, ktoré má poškodené chrániče alebo zariadenie bez nasadených chráničov.
16. Ruky ani nohy nikdy nestrkajte do blízkosti rezných prvkov, a to hlavne pri zapínaní motora.
17. Dávajte pozor na poranenia zariadením namontovaným a slúžiacim na odseknutie dĺžky struny. Po vysunutí novej struny vždy strojné zariadenie pred zapnutím vráťte do jeho štandardnej prevádzkovej polohy.
18. Nikdy nemontujte kovové rezné prvky.
19. Nikdy nepoužívajte náhradné diely ani príslušenstvo, ktoré nedodáva ani neodporúča výrobca.
20. Pred kontrolou, čistením alebo vykonávaním akejkoľvek činnosti na strojnom zariadení, ako aj počas doby nepoužívania strojné zariadenie odpojte od prívodu elektrickej energie.
21. Vždy zabezpečte, aby boli vetracie otvory čisté a bez úlomkov.
22. Keď sa na strojnom zariadení nachádzajú piktogramy so symbolmi, ich funkcia bude vysvetlená.
23. Ak nechávate kosačku bez dozoru, vždy ju odpojte od elektrického vedenia.
24. Ak sa strojné zariadenie nepoužíva, uskladnite ho mimo dosahu detí.
25. Opravu sieťovo napájaných kosačiek by ste mali zveriť jedine autorizovanému servisnému stredisku.
26. Autorizované servisné stredisko požiadajte o opravu alebo nastavenia, ktoré sú iné než tie, uvedené v tomto návode.
27. Používajte jedine náhradné diely a príslušenstvo, ktoré odporúča výrobca.



V dôsledku zásad neustáleho zlepšovania výrobkov značky Makita sa môžu technické špecifikácie bez predchádzajúceho upozornenia zmeniť.

2. VŠEOBECNÉ OZNAČENIE SÚČASTÍ (Obr. 1)

- | | | |
|----------------------------------|-------------------------|---------------------|
| 1. Bezpečnostné poistné tlačidlo | 6. Vypínač | Príslušenstvo: |
| 2. Prídavná rukoväť | 7. Rúrka | • Remeň |
| 3. Poistný gombík | 8. Kryt motora | • Ochranné okuliare |
| 4. Nastavovacie tlačidlo | 9. Bezpečnostný chránič | |
| 5. Hlavná rukoväť | | |

3. TECHNICKÉ ŠPECIFIKÁCIE

Model	UR3000
Menovité napätie:	230 - 240 V~
Menovitý kmitočet:	50 - 60 Hz
Menovitý výkon:	450 W
Otáčky pri voľnobehu:	9000 min ⁻¹
Rezná šírka:	300 mm
Priemer struny:	Φ1,65 mm
Hladina akustického tlaku v polohe obsluhy:	75,1 dB (A) K=3 dB (A)
Garantovaná úroveň akustického výkonu:	96 dB (A)
Vibrácie:	2,73 m/s ² K=1,5 m/s ²
Rozmery (D / Š / V):	1016 - 1256 / 301 / 262 mm
Čistá hmotnosť:	2,6 kg

4. POKYNY PRE MONTÁŽ

Kosačka sa dodáva s niektorými prvkami v nezmontovanom stave. Postup montáže týchto prvkov vykonajte nasledujúcim spôsobom:

4-1 Montáž bezpečnostného chrániča

Bezpečnostný chránič namontujte na kryt motora. (Obr. 2 a 3)

1. Bezpečnostný chránič nasadte na kryt motora.
2. Bezpečnostný chránič otočte do správnej polohy.
3. Bezpečnostný chránič pripevnite ku krytu motora skrutkou.



VÝSTRAHA: Dávajte pozor na poranenia čepelou namontovanou ku chrániču a slúžiacou na odseknutie dĺžky struny. Po vysunutí novej struny vždy kosačku pred zapnutím vráťte do jej štandardnej prevádzkovej polohy.



VÝSTRAHA: Nikdy nemontujte kovové rezné prvky.



VÝSTRAHA: Nikdy nepoužívajte bez správne nainštalovaného bezpečnostného chrániča. Opomenutie pri dodržiavaní tejto výstrahy môže mať za následok vážne osobné poranenie.

4-2 Montáž prídavnej rukoväti

1. Prídavnú rukoväť namontujte na podperu. (Obr. 4)
2. Skrutku zasunite do otvoru na podpere rukoväti a na rukoväti a na skrutku naskrutkujte poistný gombík; nepriskrutkujte úplne. (Obr. 5)
3. Hlavu strojného zariadenia položte na zem, následne nastavte prídavnú rukoväť do pre vás pohodlnej polohy uchopenia rukoväti: (Obr. 6)
 - 3a. Stlačte nastavovacie tlačidlo a podľa potreby nastavte dĺžku rúrky.
 - 3b. Otočte prídavnú rukoväť do pre vás pohodlného uhla.
4. Zaskrutkujte poistný gombík a prídavnú rukoväť zafixujte.

5. SPUSTENIE

Pred spustením kosačky zafixujte predlžovací kábel k otvoru na hlavnej rukoväti. (Obr. 7 a 8)

Pevne uchopte kosačku tak, aby sa nedotýkala trávy, ktorú budete kosiť, stlačte bezpečnostné poistné tlačidlo a vypínač v hornej časti držadla.

Ak chcete kosačku vypnúť, vypínač uvoľnite. (Obr. 9)



VÝSTRAHA: Motor zapínajte jedine v prípade, pokiaľ máte ruky a nohy v dostatočnej vzdialenosti od rezného náradia.

6. ÚPRAVA KOSAČKY NA KOSAČKU NA ÚPRAVU OKRAJOV

Pokiaľ chcete vykonávať úpravu okrajov cestičiek alebo chodníkov, zmeňte kosačku z režimu kosenia trávnikov na režim úpravy okrajov nasledujúcim spôsobom:

1. Uchopte rúrku kosačky jednou rukou a stlačte otočný gombík druhou rukou. (Obr. 10)
2. Otočte rúrku o 180° dokiaľ neklíne v režime určenom na úpravu okrajov. (Obr. 11)



VÝSTRAHA: Aby ste predišli náhodnému naštartovaniu s dôsledkom možných osobných poranení, vždy pred otáčaním tyčky odpojte sieťový kábel.

7. VÝMENA KAZETY S REZNOU STRUNOU

Vaša kosačka je dodávaná s plne použiteľnou kazetou reznej struny, ktorá zabraňuje problémovému odvíjaniu reznej struny.

Výmenu prázdnej kazety reznej struny vykonáte nasledujúcim spôsobom:

1. Stlačte obidve uvoľňovacie západky na držiaku cievky a vytiahnite ho s uzáverom (Obr. 12); následne vyberte prázdnu cievku. (Obr. 13)
2. Z prázdnej cievky snímte pružinu a uzáver a nasadte ich na novú cievku, následne cez očka na uzávere prevlečte dve rezné struny z novej cievky. (Obr. 14)

- Novú cievkú vložte do držiaka cievky a uzáver stlačte smerom nadol, dokiaľ sa vďaka uvoľňovacej západke nezablokuje. **(Obr. 15)**

8. NAVINUTIE REZNEJ STRUNY

Navinutie reznej struny vykonáte nasledujúcim spôsobom:

- Strojné zariadenie odpojte od siete.
- Vyberte prázdnu cievkú. **(Obr. 12 a 13)**
- Novú reznú strunu odrežte na dĺžku menej ako 8 m a v strede ju zohnite.
- Stred reznej struny zaháčkujte o drážku v strednej časti cievky medzi 2 kanálíkmi určenými pre reznú strunu. Šípka na cievkе znázorňuje smer vnutia reznej struny. **(Obr. 16)**
- Reznú strunu postupne naviňte okolo časti A **(10)**. Naviňte ju pevne a rovno tak, aby povrch navinutej struny nebol nerovný. **(Obr. 17)**
- Navíňte celú dĺžku struny okrem 100 mm dĺžky struny; tento koniec dočasne zaháčkujte o držiak struny **(12)** na boku cievky. **(Obr. 18)**
- Týmto spôsobom naviňte reznú strunu aj na časť B **(11)** a ponechajte ju dočasne zaháčkovanú. **(Obr. 17 a 19)**
- Cievkú namontujte do uzáveru tak, aby poloha dočasne zaháčkovanej struny **(13)** bola zároveň so zárezmi **(14)** na boku uzáveru **(15)**. **(Obr. 20)**
- Odháčkujte konce reznej struny z dočasnej polohy a zasunite ich do zárezov na boku uzáveru. **(Obr. 21)**



VÝSTRAHA: Uzáver do držiaka spojky nainštalujte správnym spôsobom. Opomenutie správne zabezpečiť uzáver môže mať za následok odletenie prvkov s dôsledkom vážneho osobného poranenia.

- Skontrolujte, že struna je na svojom mieste. Uzáver **(15)** zatlačte do držiaka cievky **(16)**. Presvedčte sa, že západky sa úplne otvorili do uzáveru. **(Obr. 14, 15 a 22)**
- Stlačte tlačidlo cievky **(18)** a vytiahnite jeden koniec reznej struny. Skontrolujte, že struna sa vysúva. **(Obr. 22 a 23)**
- Nakoniec vytiahnite druhý koniec struny bez toho, aby ste stlačili tlačidlo cievky. Skontrolujte, že struna sa vysúva.

9. VYSÚVANIE REZNEJ STRUNY

Krátke alebo opotrebované struny sekajú s menšou účinnosťou. Aby ste skvalitnili prevádzku v rámci následného používania, mierne, pri plných otáčkach kosačky poklepte tlačidlom cievky o zem. Tým dôjde k automatickému vysunutiu reznej struny. Čepeľ na odrezanie reznej struny **(17)** pod chráničom automaticky, počas prevádzky, odsekne reznú strunu na správnu dĺžku. **(Obr. 22 a 24)**



POZNÁMKA: Pri náraze na tvrdé alebo abrazívne predmety, ako sú ploty, betón a kamene skryté vo vysokej tráve môže dôjsť k prasknutiu reznej struny. Ak rezná struna praskne, vykonajte postup vysunutia struny.

10. POKYNY NA POUŽÍVANIE

Kosačku naštartujte skôr, ako sa ňou priblížite k tráve, ktorú budete kosiť.

Trávu kosťe kosačkou pohybom sprava doľava a postupujte pomaly; kosačku držte v sklone asi 30°. Vysokú trávu by ste mali kosiť po vrstvách a vždy začínate zhora. Rezy by mali byť krátke. Nekoste vlhkú ani mokrú trávu. Zabráňte rýchlemu koseniu s možnosťou nárazu na tvrdé predmety (kamene, steny, ploty a pod.). Aby ste kosačku zachovali v správnej vzdialenosti, používajte okraj chrániča.



VÝSTRAHA: Pokiaľ chcete vysunúť strunu, hlavou kosačky neudierajte o zem veľkou silou. Ak sa rezná struna po údere hlavou kosačky o zem počas používania kosačky nevyvsunie, rezná struna sa možno vo vnútri kazety zamotala alebo zlomila, alebo ste už spotrebovali celú dĺžku struny. **POZNÁMKA:** Ak na buchnutie hlavou kosačky o zem s cieľom vysunúť strunu použijete nadmernú silu, rezná struna poškodí hlavu kosačky.



VÝSTRAHA: Po vypnutí motora sa bude rezná struna ešte niekoľko sekúnd otáčať.

11. PREDLŽOVACIE KÁBLE

Mali by ste používať jedine predlžovacie káble určené na použitie v exteriéri, PVC pre štandardné zaťaženie alebo flexibilné s gumovým pláštom pre vysoké zaťaženie, s prierezom nie menej ako 0,75 mm². Pred použitím skontrolujte, že prírodný a predlžovací kábel nevykazujú počas používania príznaky poškodenia; kábel vykazujúci príznaky poškodenia alebo opotrebovania odpojte. Pokiaľ dôjde počas používania k poškodeniu kábla, okamžite kábel odpojte od prívodu. **PRED ODPOJENÍM OD PRÍVODU ELEKTRICKEJ ENERGIE SA KÁBLA NEDOTÝKAJTE.** Pokiaľ je kábel poškodený alebo opotrebovaný, zariadenie nepoužívajte. Predlžovací kábel chráňte pred reznými prvkami.



VÝSTRAHA: Vždy zabezpečte, aby boli vetracie otvory čisté a bez úlomkov.

12. ÚDRŽBA

- Po použití odpojte strojné zariadenie od prívodu elektrickej energie a skontrolujte možné poškodenia.
- Ak sa strojné zariadenie nepoužíva, uskladnite ho mimo dosahu detí.
- Opravu sieťovo napájaných kosačiek by ste mali zveriť jedine autorizovanému servisnému stredisku.
- Autorizované servisné stredisko požiadajte o opravu alebo nastavenia, ktoré sú iné než tie, uvedené v tomto návode.
- Používajte jedine náhradné diely a príslušenstvo, ktoré odporúča výrobca.

13. EKOLOGICKÁ LIKVIDÁCIA



Podľa smernice EÚ číslo 2002/96/ES o elektrických a elektronických zariadeniach a jej implementovaní do národnej legislatívy je potrebné elektrické a elektronické zariadenia zbierať separovane a ekologicky likvidovať.

Alternatívna likvidácia: Pokiaľ majiteľ elektrického náradia nevráti náradie výrobcovi, je zodpovedný za správnu likvidáciu na určenom zbernom mieste, ktoré pripraví zariadenie na recyklovanie podľa národnej legislatívy a nariadení o recyklovaní. Nevzťahuje sa to na príslušenstvo a náradie bez elektrických alebo elektronických prvkov.

Vyhlasenie o zhode so smernicami Európskeho spoločenstva

Naša spoločnosť Makita, ako zodpovedný výrobca vyhlasuje, že nasledujúce strojné zariadenie(a) značky Makita:

Označenie zariadenia: Strunová kosačka

Číslo modelu / typ: UR3000

Technické špecifikácie: pozrite si tabuľku „TECHNICKÉ ŠPECIFIKÁCIE“.

predstavuje výrobok sériovej výroby

a vyhovuje nasledujúcim európskym smerniciam:

2000/14/ES, 2004/108/ES, 2006/42/ES, 2006/95/ES

a sú vyrobené podľa nasledujúcej normy a štandardizovaných dokumentov:

EN55014, EN60335, EN61000, EN62233

Technická dokumentácia sa nachádza u nášho autorizovaného zástupcu v Európe, ktorým je spoločnosť:

Makita International Europe Ltd.

Michigan Drive, Tongwell,

Milton Keynes, MK15 8JD, Anglicko

Postup posúdenia zhody, ako vyžaduje smernica

2000/14/ES bol zrealizovaný podľa prílohy VIII.

Oboznámený orgán:

TÜV SÜD Industrie Service GmbH

Westendstraße 199, D-80686 München

Identifikačné číslo: 0036

Meraná úroveň akustického výkonu: 92,7 dB (A)

Garantovaná úroveň akustického výkonu: 96 dB (A)

17. 12. 2010

Tomoyasu Kato

Riaditeľ

Makita Corporation

3-11-8, Sumiyoshi-cho,

Anjo, Aichi, JAPAN

ROMÂNĂ (Instrucțiuni originale)

Dorim să vă mulțumim pentru că ați ales produsele noastre. Suntem încrezători că mașina noastră, prin calitatea ei ridicată, va corespunde cerințelor și aprecierii dumneavoastră și vă vom oferi servicii pe termen lung.

Înainte de a începe utilizarea mașinii, asigurați-vă că citiți cu atenție acest manual, care a fost conceput special pentru a vă furniza toate informațiile necesare privind utilizarea corectă, în conformitate cu cerințele de siguranță de bază.



SIMBOLURI

Unele dintre următoarele simboluri pot fi utilizate pe unealta dumneavoastră, vă rugăm să le studiați și să înțelegeți semnificația acestora, deoarece interpretarea corectă a acestor simboluri vă va permite să operați unealta într-un mod mult mai eficient și mai sigur.

SIMBOLURI	NUME	EXPLICAȚIE
	Marcaj CE	Produsul îndeplinește cerințele și reglementările stabilite de Comunitatea Europeană (acum Uniunea Europeană).
	Construcție Clasa II	Construcție cu izolație dublă.
	MARCAJ WEEE	ATENȚIE! Unelele electrice neutilizate nu vor fi depuse la gunoier menajer. Acestea trebuie duse la un punct de colectare pentru o depunere la deșeurilor într-un mod ecologic, în conformitate cu reglementările locale.
	Citiți instrucțiunile operatorului	Pentru a reduce riscul accidentărilor, utilizatorul trebuie să citească și să înțeleagă manualul operatorului înainte de a utiliza acest produs.
	Șoc electric!	Deconectați fișa cablului de alimentare în cazul în care cablul este deteriorat sau încălzit.
	Nu expuneți la ploaie	Nu lăsați unealta electrică expusă în aer liber sau în ploaie.
	Purtați echipament de protecție pentru ochi	Pentru a nu vă expune ochii, purtați echipament de protecție pentru ochi!
	Marcaj de nivel zgomot	Zgomotul produs de unealta dumneavoastră nu depășește 96 dB.
	ȚINEȚI TOATE CELELALTE PERSOANE LA DISTANȚĂ!	ȚINEȚI TOATE CELELALTE PERSOANE LA DISTANȚĂ!

1. INSTRUCȚIUNI IMPORTANTE PRIVIND ȘIGURANȚA

Scopul regulilor privind siguranța este de a vă atrage atenția asupra potențialelor pericole. Simbolurile de siguranță și explicațiile acestora necesită atenția și înțelegerea dumneavoastră. Avertismentele privind siguranța nu elimină toate pericolele. Utilizați întotdeauna echipament de siguranță corespunzător, precum dispozitivul de protecție și, în plus, respectați instrucțiunile și avertismentele privind siguranța.



SIMBOL ALERTĂ DE ȘIGURANȚĂ: Indică o atenționare sau un avertisment și poate fi utilizat împreună cu alte simboluri sau imagini.



AVERTISMENT: Familiarizați-vă cu comenzile și cu utilizarea corectă a echipamentului.



AVERTISMENT: Nerespectarea avertismentelor privind siguranța poate duce la accidentări serioase suferite de dumneavoastră sau de alte persoane. Respectați întotdeauna precauțiile de siguranță pentru a reduce riscul incendiilor, șocurilor electrice și rănilor. Păstrați manualul de utilizare și consultați-l frecvent pentru o permanentă operare în siguranță și pentru instruirea celorlalți în utilizarea acestei mașini.



AVERTISMENT: Nu utilizați niciodată motocoasa fără ca apărătoarea să fie corect instalată. Nerespectarea acestui avertisment poate duce la accidentări grave.



AVERTISMENT: Această unealtă produce un câmp electromagnetic în timpul operării. În anumite condiții, acest câmp poate intra în interferență cu implanturi medicale active sau pasive. Pentru a reduce riscul accidentelor grave sau fatale, recomandăm ca persoanele cu implanturi medicale să consulte medicul și producătorul implantului medical înainte a opera această unealtă.



AVERTISMENT: Operarea oricărei mașini poate duce la proiectarea unor obiecte străine în ochii dumneavoastră, rezultând afecțiuni grave ale vederii sau chiar pierderea acesteia. Înainte de a începe operarea mașinii electrice, purtați întotdeauna mănuși sau ochelari de protecție cu apărătoare laterale, sau chiar o mască de protecție a întregii fețe atunci când este cazul. Vă recomandăm masca de siguranță Wide Vision pentru utilizare peste ochelari, sau ochelari de protecție standard cu apărătoare laterale.

1. Acest echipament nu este destinat utilizării de către persoane (inclusiv copii) cu capacități fizice, senzoriale sau mentale reduse, sau lipsite de experiență și cunoștințe, cu excepția cazului în care ele au fost supravegheate sau instruite cu privire la utilizarea echipamentului de către o persoană responsabilă pentru securitatea lor.
2. Copiii trebuie supravegheați pentru a vă asigura că nu se joacă cu echipamentul.
3. Citiți cu atenție instrucțiunile.
4. Familiarizați-vă cu comenzile și cu utilizarea corectă a echipamentului.
5. Înainte de utilizare, verificați cablul de alimentare și cablul prelungitor pentru identificarea eventualelor semne de deteriorare sau uzură.
6. În cazul în care cablul se deteriorează în timpul utilizării, deconectați imediat cablul de la alimentare. **NU ATINGEȚI CABLUL ÎNAINTEA DECONECTĂRII DE LA PRIZA ELECTRICĂ.**
7. Nu utilizați mașina de tuns iarba în cazul în care cablurile sunt deteriorate sau uzate.
8. Avertisment: Elementele de tăiere continuă să se rotească după oprirea motorului.

2. IDENTIFICARE GENERALĂ (Fig. 1)

- | | |
|----------------------------------|----------------------|
| 1. Buton de blocare de siguranță | 6. Buton declanșator |
| 2. Mâner auxiliar | 7. Tub |
| 3. Buton rotativ de blocare | 8. Carcasa motorului |
| 4. Buton de reglare | 9. Apărătoare |
| 5. Mâner principal | |

Accesorii:

- Curea
- Ochelari de protecție

9. Mențineți cablurile prelungitoare la distanță de elementele de tăiere.
10. Purtați mănuși sau ochelari de protecție.
11. Nu permiteți niciodată copiilor sau persoanelor care sunt nefamiliarizate cu aceste instrucțiuni să utilizeze mașina.
12. Opritiți utilizarea mașinii când în apropiere se află copii sau animale de companie.
13. Utilizați mașina doar la lumina soarelui sau la lumină artificială puternică.
14. Înainte de utilizarea mașinii și după orice impact, verificați pentru identificarea eventualelor semne de uzură sau deteriorare și reparați dacă este cazul.
15. Nu operați niciodată mașina cu protecții defecte sau fără protecții instalate.
16. Țineți permanent mâinile și picioarele la distanță de elementele de tăiere, în special la pornirea motorului.
17. Protejați-vă împotriva rănilor care pot fi cauzate de dispozitivele montate pentru tăiere în linie dreaptă. După prelungirea cu o nouă lamă de tăiere, readuceți întotdeauna mașina la poziția de operare normală înainte pornirii.
18. Nu montați niciodată elemente de tăiere metal.
19. Nu utilizați niciodată piese de schimb sau accesorii care nu sunt recomandate de către producător.
20. Deconectați mașina de a alimentarea cu energie electrică înaintea verificării, curățării sau efectuării unor lucrări pe aceasta, precum și atunci când nu este utilizată.
21. Asigurați-vă întotdeauna că orificiile de ventilare nu conțin reziduuri.
22. Atunci când sunt folosite simboluri pictogramă pe marcasele mașinii, funcția acestora trebuie explicată.
23. Deconectați întotdeauna motocoasa de la alimentarea cu energie electrică atunci când o lăsați nesupravegheată.
24. Când nu este utilizată, depozitați mașina la distanță de accesul copiilor.
25. Motocoasele alimentate cu energie electrică vor fi reparate doar la un centru de service autorizat.
26. Solicitați unui centru de service autorizat efectuarea oricăror reparații sau reglări care nu sunt descrise în acest manual.
27. Utilizați doar componentele de schimb și accesorii recomandate de producător.



Datorită politicii continue a Makita privind perfecționarea produselor, funcțiile de produs și specificațiile se pot modifica fără o notificare prealabilă.

3. SPECIFICAȚII

Model	UR3000
Tensiune nominală:	230 - 240 V~
Frecvență nominală:	50 - 60 Hz
Putere nominală:	450 W
Fără turație la sarcină:	9.000 min ⁻¹
Lățime de tăiere:	300 mm
Dimensiune cuțit:	Φ1,65 mm
Nivel de presiune acustică la poziția operatorului:	75,1 dB (A) K=3 dB (A)
Nivel de presiune sonoră garantat:	96 dB (A)
Vibrații:	2,73 m/s ² K=1,5 m/s ²
Dimensiune (L / l / H):	1.016 - 1.256 / 301 / 262 mm
Greutate netă:	2,6 kg

4. INSTRUCȚIUNI DE ASAMBLARE

Motocoasa este furnizată cu unele componente neasamblate. Pentru asamblarea acestora, procedați după cum urmează.

4-1 Ansamblu apărătoare

Fixați apărătoarea pe carcasa motorului. (Fig. 2 și 3)

1. Montați apărătoarea pe carcasa motorului.
2. Rotiți apărătoarea în poziția corectă.
3. Fixați apărătoarea pe carcasa motorului cu un șurub.



AVERTISMENT: Asigurați-vă că nu vă răniți cu lama montată pe apărătoare pentru tăiere pe lungime. După prelungirea cu o nouă lamă, readuceți întotdeauna motocoasa la poziția de operare normală înainte pornirii.



AVERTISMENT: Nu montați niciodată elemente de tăiere metal.



AVERTISMENT: Nu utilizați niciodată motocoasa fără apărătoarea corect instalată. Nerespectarea acestui avertisment poate duce la accidente grave.

4-2 Ansamblu mâner auxiliar

1. Atașați mânerul auxiliar la suport. (Fig. 4)
2. Introduceți bolțul în orificiile suportului de mâner și mâner, iar apoi înșurubați butonul rotativ de blocare în bolț, însă fără a înșuruba complet. (Fig. 5)
3. Amplașați capul mașinii pe sol, apoi reglați mânerul auxiliar într-o poziție confortabilă, pentru a-l putea folosi ca mâner de ajutor: (Fig. 6)
 - 3a. Apăsăți butonul de reglare și reglați lungimea tubului în modul dorit.
 - 3b. Rotiți mânerul auxiliar la un unghi confortabil pentru dumneavoastră.
4. Înșurubați butonul rotativ de blocare pentru a fixa ferm mânerul auxiliar.

5. PORNIRE

Înainte de a porni motocoasa, fixați cablul prelungitor în orificiul mânerului principal. (Fig. 7 și 8)

Țineți ferm motocoasa și fără a o lăsa să atingă iarba de tăiat, apăsați butonul de blocare de siguranță și butonul declanșator de pe mânerul superior.

Pentru a opri motocoasa, eliberați butonul declanșator. (Fig. 9)



AVERTISMENT: Porniți motorul doar când mâinile și picioarele dumneavoastră se află la distanță de elementele de tăiere.

6. UTILIZAREA MOTOCOASEI CA MAȘINĂ DE BORDURARE

Pentru bordurarea aleilor și cărărilor, comutați motocoasa din modul motocoasă în modul de bordurare astfel:

1. Țineți tubul motocoasei cu o mână și apăsați butonul rotativ cu cealaltă mână. (Fig. 10)
2. Rotiți tubul la 180° până când se blochează în modul de bordurare. (Fig. 11)



AVERTISMENT: Pentru a preveni pornirea accidentală care ar putea cauza răni serioase, deconectați întotdeauna cablul de alimentare înainte de a încerca să rotiți axul.

7. ÎNLOCUIREA CARTUȘULUI LINIEI DE TĂIERE

Motocoasa dumneavoastră este prevăzută cu un cartuș de unică folosință pentru linia de tăiere care previne rebobinarea problematică a liniei de tăiere.

Pentru a înlocui un cartuș de linie de tăiere gol, procedați în modul următor:

1. Apăsăți ambele elemente de deblocare de pe suportul de bobină și scoateți ridicând în sus din capac (Fig. 12), apoi scoateți bobina goală. (Fig. 13)
2. Scoateți arcul și capacul din bobina goală și introduceți-le în noua bobină, apoi introduceți cele


două linii de tăiere ale noii bobine prin urechile capacului. (Fig. 14)

- Amplasați noua bobină în suportul de bobină și apoi apăsați capacul în jos până la blocarea acestuia în poziție cu pârghia de blocare. (Fig. 15)

8. REȚUMPLEREA LINIEI DE TĂIERE

Pentru a reumple linia de tăiere:

- Deconectați mașina de la alimentarea cu energie electrică.
- Scoateți bobina goală. (Fig. 12 și 13)
- Tăiați o nouă linie de tăiere la mai puțin de 8 m și îndoiți-o la mijloc.
- Prindeți partea din mijloc a noii linii de tăiere de fanta localizată în centrul bobinei între cele 2 canale prevăzute pentru linia de tăiere. Săgeata de pe bobină indică direcția de bobinare a liniei de tăiere. (Fig. 16)
- Bobinați ordonat linia de tăiere în jurul secțiunii A (10). Asigurați-vă că bobinați strâns și întins, astfel încât suprafața liniei de bobinare să nu poată fi ruptă. (Fig. 17)
- Înfășurați linia de tăiere în întregime, mai puțin 100 mm din aceasta, lăsând capătul agățat temporar printr-un suport de linie (12) de pe partea laterală a bobinei. (Fig. 18)
- În acest mod, înfășurați linia de tăiere și în secțiunea B (11) și lăsați capătul temporar agățat. (Fig. 17 și 19)
- Montați bobina pe capac astfel încât poziția temporar agățată a liniei de tăiere (13) să corespundă fantelor (14) de pe partea laterală a capacului (15). (Fig. 20)
- Desprindeți capetele liniei de tăiere din poziția lor temporară și introduceți-le în fantele de pe partea laterală a capacului. (Fig. 21)

 **AVERTISMENT:** Asigurați-vă că ați fixat în mod corect capacul pe suportul de bobină. Neasigurarea corectă a capacului poate duce la desprinderea componentelor, rezultând accidentări personale grave.

- Asigurați-vă că ați poziționat arcul corect. Apăsați capacul (15) în suportul de bobină (16). Asigurați-vă că încuietorile se fixează corect în capac. (Fig. 14, 15 și 22)
- Apăsați butonul de bobină (18) și scoateți în afară un capăt al liniei de tăiere. Asigurați-vă că linia este alimentată în exterior. (Fig. 22 și 23)
- La final, scoateți în afară celălalt capăt al liniei de tăiere fără a apăsa butonul de bobină. Asigurați-vă că linia este alimentată în exterior.

9. ALIMENTAREA LINIEI DE TĂIERE

Liniile de tăiere scurte sau uzate efectuează o tăiere mai puțin eficientă. Pentru a îmbunătăți operarea pentru tăierile viitoare, loviți ușor butonul bobinei de sol în timp ce motocoasa rulează la turație maximă. Astfel, va fi alimentată linie de tăiere suplimentară. Lama liniei de tăiere (17) de sub apărătoare va tăia automat linia la lungimea corectă în timpul operării. (Fig. 22 și 24)



NOTĂ: Lovirea unor obiecte dure sau abrazive, precum garduri, beton sau pietre ascunse în iarba înaltă poate duce la ruperea liniei de tăiere. Dacă linia de tăiere se rupe, urmați procedeul de mai jos.

10. INSTRUCȚIUNI DE UTILIZARE

Poniți motocoasa înainte de a vă apropia de iarba de tăiat.

Tăiați iarba mișcând motocoasa de la dreapta la stânga și continuați încet, menținând motocoasa înclinată la 30°. Iarba înaltă trebuie tăiată în straturi, începând întotdeauna din partea de sus. Tăierile trebuie să fie scurte.

Nu tăiați iarba udă sau aflată în locații cu umezeală.

Evitați uzarea rapidă a liniei de tăiere prin lovirea unor obiecte dure (pietre, pereți, garduri etc.). Utilizați marginea apărătoarei pentru a menține motocoasa la o distanță corectă.



AVERTISMENT: Nu folosiți forță excesivă și nu loviți prea puternic capul motocoasei de sol pentru a alimenta linia de tăiere. Dacă linia de tăiere nu este alimentată după lovirea capului de sol în timp ce motocoasa operează, probabil că linia de blocare s-a agățat sau s-a rupt în interiorul cartușului sau linia de tăiere a fost utilizată la maximum.

NOTĂ: Forța excesivă sau lovirea puternică a capului motocoasei de sol pentru a alimenta linie de tăiere va duce la deteriorarea capului.



AVERTISMENT: Capul de tăiere continuă să se rotească timp de câteva secunde după oprirea motorului.

11. CABLURI DE PRELUNGIRE

Trebuie să utilizați doar cabluri de prelungire pentru uz în exterior, din PVC obișnuit sau cablu flexibil rezistent cu înveliș din cauciuc, cu o secțiune transversală nu mai mică de 0,75 mm².

Înainte de utilizare, verificați cablurile de alimentare și prelungire pentru semne de uzură în timpul utilizării, deconectați cablul dacă acesta prezintă semne de uzură sau deteriorare. În cazul în care cablul se deteriorează în timpul utilizării, deconectați imediat cablul de la alimentare. **NU ATINGEȚI CABLUL ÎNAINTEA DECONECTĂRII DE LA PRIZA ELECTRICĂ.** Nu utilizați echipamentul în cazul în care cablul este deteriorat sau uzat. Mențineți cablul de prelungire la distanță de elementele de tăiere.



AVERTISMENT: Asigurați-vă întotdeauna că orificiile de ventilare nu conțin reziduuri.

12. ÎNTREȚINERE

- După utilizare, deconectați mașina de la alimentarea cu energie electrică și verificați pentru identificarea eventualelor defecțiuni.
- Când nu este utilizată, depozitați mașina la distanță de accesul copiilor.

3. Motocoasele alimentate cu energie electrică vor fi reparate doar la un centru de service autorizat.
4. Solicitați unui centru de service autorizat efectuarea oricăror reparații sau reglări care nu sunt descrise în acest manual.
5. Utilizați doar componentele de schimb și accesoriile recomandate de producător.

13. DEPUNERE LA DEȘURI ÎNTR-UN MOD ECOLOGIC



Conform Directivei UE 2002/96/CE privind echipamentele electrice și electronice și implementarea acesteia în legislația națională, toate echipamentele electrice trebuie colectate separat și reciclate ecologic.

Depunere alternativă la deșuri: În cazul în care proprietarul echipamentului electric nu returnează echipamentul producătorului, acesta este răspunzător pentru depunerea corespunzătoare la un punct de colectare special desemnat care va pregăti echipamentul pentru reciclare conform legilor și reglementărilor naționale privind reciclarea.

Nu sunt incluse accesoriile și echipamentele fără componente electrice sau electronice.

Declarație de conformitate CE

Noi, Makita Corporation, ca producător responsabil, declarăm că următoarea(le) unealtă(e) Makita:

Denumirea utilajului: Motocoasă cu fir

Nr. model/Tip: UR3000

Specificații: consultați tabelul "SPECIFICAȚII".

sunt produse de serie și

sunt în conformitate cu următoarele Directive

Europene:

2000/14/CE, 2004/108/CE, 2006/42/CE, 2006/95/CE

Și sunt fabricate în conformitate cu următorul standard sau documente standardizate:

EN55014, EN60335, EN61000, EN62233

Documentația tehnică este în posesia reprezentantului nostru autorizat în Europa care este:

Makita International Europe Ltd.

Michigan Drive, Tongwell,

Milton Keynes, MK15 8JD, Anglia

Procedura de evaluare a conformității cerută de Directiva 2000/14/CE s-a efectuat în conformitate cu anexa VIII.

Organism notificat:

TÜV SÜD Industrie Service GmbH

Westendstraße 199, D-80686 München

Număr de identificare: 0036

Nivel putere acustică măsurată: 92,7 dB (A)

Nivel de presiune sonoră garantat: 96 dB (A)

17. 12. 2010

Tomoyasu Kato

Director

Makita Corporation

3-11-8, Sumiyoshi-cho,

Anjo, Aichi, JAPAN

LIETUVIŲ KALBA (Originali instrukcija)

Norėtume padėkoti, kad pasirinkote mūsų gaminį. Esame tikri, kad jūs įvertinsite ir būsite patenkinti šiuo aukštos kokybės įrenginiu; be to, mes suteiksime ilgą techninio aptarnavimo garantiją.

Prieš pradėdami naudoti šį įrenginį, būtina atidžiai perskaitykite šį vadovą, kuris buvo specialiai sukurtas tam, kad suteiktų jums visą reikiamą informaciją apie tai, kaip tinkamai naudoti šį įrenginį ir laikytis pagrindinių saugos reikalavimų.



ŽENKLAI

Kai kurie iš šių ženklų gali būti naudojami ir ant kitų įrankių; susipažinkite su jais ir išmokite jų reikšmes – tinkamai interpretuodami šiuos ženklus, galėsite įrankį naudoti saugiau ir efektyviau.

ŽENKLAI	PAVADINIMAS	PAAIŠKINIMAS
	CE ženkinimas	Šis gaminys atitinka Europos Bendrijos (dabar Europos Sąjungos) reikalavimus ir reglamentus.
	II klasės konstrukcija	Konstrukcija turi dvibugą izoliaciją.
	WEEE ŽENKLINIMAS	PERSPĖJIMAS! Netinkamų naudoti elektros įrankių negalima išmesti kartu su buitiniemis atliekomis. Juos reikia surinkti ir atiduoti į savivaldybės surinkimo punktą, kad jie būtų išmesti nedarant žalos gamtai, atsižvelgiant į vietos teisės aktus.
	Perskaitykite naudojimo instrukciją	Norėdami sumažinti pavojų susižeisti, prieš pradėdami naudoti šį gaminį, privaloma perskaityti ir suvokti šį vartotojo vadovą.
	Elektros smūgis!	Atjunkite nuo maitinimo tinklo, jeigu laidas yra pažeistas arba susinarpliojęs.
	Saugokite nuo lietaus	Nepalikite šio įrankio lauke arba lietuje.
	Dėvėkite apsauginius akinius	Norėdami sumažinti pavojų susižeisti akis, dėvėkite akių apsaugas!
	Triukšmo lygio ženkinimas	Šis įrankis kelia ne didesnį nei 96 dB triukšmą.
	NELEISKITE ARTYN JOKIŲ PAŠALINIŲ ASMENŲ!	NELEISKITE ARTYN JOKIŲ PAŠALINIŲ ASMENŲ!

1. SVARBIOS SAUGOS INSTRUKCIJOS

Saugos taisyklių tikslas - atkreipti jūsų dėmesį į galimus pavojus. Turite atkreipti dėmesį į saugos ženklus bei pateiktus jų paaiškinimus ir juos suprasti. Įspėjimai dėl saugos nepanaikina jokio pavojaus. Vadovaukitės saugos nurodymai bei įspėjimai ir visada naudokite tinkamą saugos įrangą, pavyzdžiui, apsauginį gaubtą.



ĮSPĖJIMO DĖL SAUGOS ŽENKLAS: reiškia perspėjimą arba įspėjimą; gali būti naudojamas kartu su kitais ženklais arba paveikslėliais.



ĮSPĖJIMAS: Nuodugniai susipažinkite su valdikiiais ir kaip tinkamai naudoti šį įrenginį.



ĮSPĖJIMAS: Nesilaikant saugumo įspėjimų, galima susižeisti arba sužeisti kitus. Visuomet laikykitės saugumo atsargumo priemonių, kad sumažintumėte gaisro, elektros šoko ar asmens sužeidimo pavojų. Saugokite šį vartotojo vadovą ir dažnai jį peržiūrėkite, kad ir toliau saugiai dirbtumėte bei išmokytumėte kitus asmenis, kaip saugiai naudoti šį įrankį.



ĮSPĖJIMAS: Niekada nenaudokite šios žoliapjovės be apsauginio gaubto. Nesilaikant šio įspėjimo, kyla pavojus sunkiai susižeisti.



ĮSPĖJIMAS: Šis įrenginys darbo metu sukuria elektromagnetinį lauką. Esant tam tikroms sąlygoms, šis laukas gali sutrikdyti aktyvių arba pasyvių medicininių implantų veikimą. Norint sumažinti sunkių arba mirtinų sužeidimų pavojų, rekomenduojame, kad asmenys, turintys medicininių implantų, prieš pradėdami naudoti šį įrenginį, pasitartų su savo fizioterapeutais ir medicininių implantų gamintojais.



ĮSPĖJIMAS: Naudojant bet kokį įrankį, į akis gali patekti dalelių ir svetimkūnių, kurie gali sąlygoti regėjimo praradimą arba gali sunkiai sužeisti akis. Prieš pradėdami naudoti elektrinį įrankį, visuomet užsidėkite apsauginius darbo akinius, apsauginius akinius su šoniniais skydeliais arba, jei reikia, visą veidą dengiantį antveidį. Ant regėjimo akinių arba standartinių apsauginių akinių su šoniniais skydeliais rekomenduojame naudoti plataus regos lauko apsauginį antveidį.

1. Asmenims (įskaitant vaikus), nesugebantiems saugiai naudotis prietaisu dėl psichinių, jutiminių arba protinių negalių arba patirties bei žinių trūkumo, negalima naudotis šiuo prietaisu be už šių asmenų saugumą atsakingų asmenų priežiūros ar nurodymų.
2. Prižiūrėkite vaikus, kad jie nežaistų su šiuo buitiniu prietaisu.
3. Atidžiai perskaitykite instrukciją.
4. Nuodugnai susipažinkite su valdikliais ir kaip tinkamai naudoti šį įrenginį.
5. Prieš pradėdami naudoti, patikrinkite maitinimo ir ilginimo laidus, ar jie nepažeisti arba nepasenę.
6. Jeigu vejapjovės naudojimo metu pažeistumėte laidą, tuoj pat atjunkite jį nuo maitinimo tinklo. **NELIESKITE LAIDO, KOL NEATJUNGSITE JO NUO MAITINIMO TINKLO.**
7. Nenaudokite vejapjovės (žoliapjovės), jeigu jos kabeliai yra pažeisti arba nusidėvėję.
8. Įspėjimas: Išjungus variklį, pjovimo dalys dar kurį laiką sukasi.

9. Laikykite ilginimo laidus atokiai nuo pjovimo dalių.
10. Mūvėkite apsaugines pirštines arba apsauginius akinius.
11. Niekomet neleiskite šio įrenginio naudoti vaikams arba su šia instrukcija nesusipažinusiems žmonėms.
12. Nebenaudokite šio prietaiso, jei netoliese yra žmonių, ypač vaikų arba naminių gyvūnų.
13. Mašiną naudokite dienos metu arba esant geram dirbtiniam apšvietimui.
14. Prieš pradėdami naudoti šį įrenginį ir jam atsitrenkus į kokį nors daiktą, patikrinkite, ar nėra jo nusidėvėjimo arba pažeidimo požymių ir, jeigu reikia, pataisykite.
15. Niekada nenaudokite šio įrenginio, jei apgadinti arba nuimti jo apsauginiai gaubtai.
16. Rankas ir kojas visada laikykite atokiai nuo pjovimo dalių, ypač tada, kai įjungiate variklį.
17. Būkite atsargūs, kad nesusižeistumėte jokių įtaisų, skirtų vielos ilgiui sutrumpinti. Pailginę naują pjoviklio vielą, visada sugražinkite įrenginį į jo įprastą darbo padėtį, tik tuomet jį įjunkite.
18. Niekada nemontuokite metalinių pjovimo dalių.
19. Visada naudokite tik pateiktąsias arba gamintojo rekomenduojamas atsargines dalis arba priedus.
20. Atjunkite įrenginį nuo maitinimo tinklo prieš atikdami jo tikrinimo, valymo arba techninės priežiūros darbus ir tuomet, kai įrenginio nenaudojate.
21. Ventiliacijos angos turi būti švarios: nedulkėtos ir nepurvinos.
22. Visų ant įrenginio esančių ženklinių piktogramų funkcijos yra paaiškintos šiame vadove.
23. Palikdami krūmapjovę be priežiūros, visuomet atjunkite ją nuo maitinimo tinklo.
24. Nenaudojamą įrenginį laikykite vaikams nepasiekiamoje vietoje.
25. Elektra varomas žoliapjovės gali taisyti tik igaliotojo techninio aptarnavimo centro meistrai.
26. Dėl bet kokių remonto arba reguliavimo darbų, kurie nėra aprašyti šiame vadove, kreipkitės į igaliotąjį techninio aptarnavimo centrą.
27. Naudokite tik gamintojo rekomenduojamas keičiamąsias dalis ir priedus.



Dėl bendrovės „Makita“ nuolatinio gaminių tobulinimo politikos gaminių savybės ir techniniai duomenys gali būti keičiami be išankstinio įspėjimo.

2. BENDRASIS GAMINIO APRAŠYMAS (1 pav.)

- | | | |
|-----------------------------|------------------------|-------------------------|
| 1. Saugos užraktas mygtukas | 6. Svirtinis jungiklis | Priedai: |
| 2. Pagalbinė rankena | 7. Vamzdis | • Diržas |
| 3. Fiksavimo rankenėlė | 8. Variklio korpusas | • Stiklinė akių apsauga |
| 4. Reguliavimo mygtukas | 9. Apsauginis gaubtas | |
| 5. Pagrindinė rankena | | |

3. TECHNINIAI DUOMENYS

Modelis	UR3000
Nominali įtampa:	230 - 240 V~
Nominalusis dažnis:	50 - 60 Hz
Nominali galia:	450 W
Greitis be apkrovos:	9 000 min ⁻¹
Pjovimo plotis:	300 mm
Vielos skersmuo:	Φ1,65 mm
Garso slėgio lygis įrankio naudotojo vietoje:	75,1 dB (A) K=3 dB (A)
Garantuojamas garso galios lygis:	96 dB (A)
Vibracija:	2,73 m/s ² K=1,5 m/s ²
Matmenys (l x P x A):	1 016 - 1 256 / 301 / 262 mm
Grynasis svoris:	2,6 kg

4. MONTAVIMO INSTRUKCIJA

Žoliapjovė pateikiama su sudedamosiomis dalimis; kai kurios iš jų nėra sumontuotos. Norėdami jas sumontuoti, atlikite šiuos veiksmus:

4-1 Apsauginio gaubto montavimas

Privirtinkite apsauginį gaubtą ant variklio korpuso. (2 ir 3 pav.)

1. Uždėkite apsauginį gaubtą ant variklio korpuso.
2. Pasukite apsauginį gaubtą į tinkamą padėtį.
3. Varžtą pritvirtinkite apsauginį gaubtą ant variklio korpuso.



ĮSPĖJIMAS: Būkite atsargūs, kad nesusižeistumėte ant apsauginio gaubto įrengtu pjovikliu, skirtu vielos ilgiui sutrumpinti. Pailginę naują pjoviklio vielą, visada sugražinkite žoliapjovę į jos įprastą darbo padėtį, tik tuomet ją įjunkite.



ĮSPĖJIMAS: Niekada nemontuokite metalinių pjovimo dalių.



ĮSPĖJIMAS: Niekada nenaudokite šios žoliapjovės be tinkamai sumontuoto apsauginio gaubto. Nesilaikant šio įspėjimo, kyla pavojus sunkiai susižeisti.

4-2 Pagalbinės rankenos montavimas

1. Privirtinkite pagalbinę rankeną prie atramos. (4 pav.)
2. Prakiškite varžtą pro rankenoje ir rankenos atramoje esančias skylės ir užsukite fiksavimo rankenėlę ant varžto, bet neužveržkite jos iki galo. (5 pav.)
3. Pagydykite įrenginio galvutę ant žemės, tuomet pareguliuokite pagalbinę rankeną kitos rankenos atžvilgiu, kad jums būtų patogiu: (6 pav.)
 - 3a. Paspauskite reguliavimo mygtuką, pareguliuokite vamzdžio ilgį savo nuožiūra.
 - 3b. Pasukite pagalbinę rankeną jums patogiu kampu.
4. Privirtinkite pagalbinę rankeną, tvirtai užsukdami fiksavimo rankenėlę.

5. ĮJUNGIMAS

Prieš įjungdami žoliapjovę, užfiksuokite ilginimo laidą ant pagrindinės rankenos. (7 ir 8 pav.)

Tvirtai laikydami žoliapjovę, neliesdami ja žolės, kurią pjausite, paspauskite saugos užrakto mygtuką ir svirtinį jungiklį rankenos viršuje.

Norėdami išjungti žoliapjovę, atleiskite svirtinį jungiklį. (9 pav.)



ĮSPĖJIMAS: Įjunkite variklį tik tuomet, kai rankos ir kojos bus atokiai nuo pjovimo dalių.

6. ŽOLIAPJOVĖS NAUDOJIMAS TIKSLIEMS PAKRAŠČIŲ PJOVIMO DARBAMS

Norėdami tiksliai nupjauti žolę šalia įvažiavimų ir takų, perjunkite žoliapjovės režimą į pakraščių pjovimo režimą, atlikdami šiuos veiksmus:

1. Viena ranka laikydami žoliapjovės vamzdį, kita ranka paspauskite sukimo mygtuką. (10 pav.)
2. Sukite vamzdį 180° kampu, kol jis užsifiksuos pakraščių pjovimo režimu. (11 pav.)



ĮSPĖJIMAS: Norėdami išvengti netyčinio įjungimo, dėl kurio galite sunkiai susižeisti, prieš pasukdami veleną, visada atjunkite maitinimo laidą.

7. PJOVIMO VIELOS KASETĖS KEITIMAS

Ši žoliapjovė pateikiama su vienkartinę pjovimo vielos kasete, kuri leidžia išvengti varginančių pjovimo vielos pervyniojimo darbų.

Norėdami pakeisti tuščią pjovimo vielos kasetę, atlikite šiuos veiksmus:

1. Paspauskite abi ritės laikiklio atlaisvinimo velkes ir nuimkite dangtelį (12 pav.); išimkite tuščią ritę. (13 pav.)
2. Nuimkite nuo tuščios ritės spyruoklę bei dangtelį ir uždėkite juos ant naujos ritės, tuomet prakiškite abu


naujos ritės vielos galus pro dangtelio plyšelius.
(14 pav.)

3. Įdėkite naują ritę į ritės laikiklį, tuomet užspauskite ant jo dangtelį, kad atlaisvinimo velkės jį užfiksuotų.
(15 pav.)

8. PJOVIMO VIELOS PAPILDYMAS

Norėdami papildyti pjovimo vielos:


1. Ištraukite įrenginio kištuką iš maitinimo lizdo.
2. Išimkite tuščią ritę. (12 ir 13 pav.)
3. Atpjaukite naujos vielos, kad jis būtų trumpesnė nei 8 m ilgio, ir perlenkite ją perpus.
4. Sulenkite naują pjovimo vielą, padarydami kilpą, ir užkabinkite ją ant ritės centre, tarp 2 griovelių esančios įrantos, skirtos pjovimo vielai užkabinti. Ant ritės esant rodyklė rodo, kuria kryptimi reikia vynioti pjovimo vielą. (16 pav.)
5. Tvarkingai suvyniokite pjovimo vielą ant A dalies (10). Būtinai vyniokite tvirtai ir lygiai, kad suvyniotos vielos paviršius nebūtų nelygus. (17 pav.)
6. Suvyniokite beveik visą pjovimo vielą, palikdami 100 mm galą, laikinai įkišdami jį ritės laikiklio (12) kraštelyje esančią įrantą. (18 pav.)
7. Tuomet suvyniokite pjovimo vielą ir B dalyje (11) bei laikinai užkabinkite vielos galą. (17 ir 19 pav.)
8. Uždėkite ritę ant dangtelio taip, kad laikinai užkabinti pjovimo vielų galai (13) būtų ties dangtelio (15) šonuose esančiomis įrantomis (14). (20 pav.)
9. Atkabinkite laikinai užkabintus pjovimo vielos galus ir įtaisykite juos į dangtelio šonuose esančias įrantas. (21 pav.)

 **ĮSPĖJIMAS:** Būtinai tinkamai užtvirtinkite dangtelį ant ritės laikiklio. Tinkamai neuždėjus dangtelio, sudedamosios dalys gali nuskrasti ir sunkiai sužeisti vartotoją.

10. Būtinai uždėkite spyruoklę. Įspauskite dangtelį (15) į ritės laikiklį (16). Įsitinkinkite, ar velkės visiškai įkištos į dangtelį. (14, 15 ir 22 pav.)
11. Paspauskite ritės mygtuką (18) ir ištraukite vieną pjovimo vielos galą. Patikrinkite, ar viela tiekama. (22 ir 23 pav.)
12. Pagaliau ištraukite kitą vielos galą, nespausdami ritės mygtuko. Patikrinkite, ar viela tiekama.

9. PJOVIMO VIELOS TIEKIMAS


Per trumpos arba nusidėvėję vielos pjauna ne taip efektyviai. Norėdami pagerinti įrankio veikimą, kad vėliau jis veiktų geriau, žoliapjovei veikiant visu greičiu, nestipriai stuktelėkite ritės mygtuką į žemę. Tuomet bus automatiškai tiekama daugiau pjovimo vielos. Pjovimo vielos peilis (17), esantis po apsauginiu gaubtu, automatiškai nupjauja pjovimo vielą, kad dirbant jį būtų tinkamo ilgio. (22 ir 24 pav.)


 **PASTABA:** Žoliapjovei smarkiai atsitrenkus į kietus arba šlifuojamuosius objektus, pavyzdžiui, aukštos žolės paslėptas tvorą, betoną ir akmenis, pjovimo viela

gali nutrūkti. Jeigu pjovimo viela nutrūktų, atlikite vielos tiekimo procedūrą.

10. NURODYMAI, KAIP NAUDOTI


Įjunkite žoliapjovę, priartinę ją prie žolės, kurią pjausite. Pjaukite žolę, siūbuodami žoliapjovę iš dešinės į kairę, lėtai judėdami pirmyn; laikykite žoliapjovę pakreipę maždaug 30° kampų. Aukštą žolę reikia pjauti sluoksniais, visada pradėdant nuo viršaus. Pjūviai turi būti trumpi. Nepjaukite drėgnos arba šlapios žolės. Stenkitės neužkliudyti kietų objektų (akmenų, sienų, tvorų ir pan.), kad viela greitai nenusidėvėtų. Naudokite apsauginio gaubto kraštą, kad žoliapjovė būtų laikoma tinkamu atstumu.

 **ĮSPĖJIMAS:** Nenaudokite per daug jėgos ir netrenkite žoliapjovės smūgiavimo galvutės į žemę per smarkiai, kad būtų tiekama pjovimo viela. Jeigu pjovimo viela nebūtų tiekama žoliapjovei veikiant stuktelėjus smūgiavimo galvutę į žemę, kasetėje esanti pjovimo viela gali būti susiraizgiusi arba nutrūkusi, arba pjovimo viela gali būti pasibaigusi. PASTABA: Jeigu pjovimo vielai tekti žoliapjovės smūgiavimo galvutę į žemę stuktelėsite per smarkiai, sugadinsite smūgiavimo galvutę.

 **ĮSPĖJIMAS:** Išjungus variklį, pjovimo galvutė dar kelias sekundes sukasi.

11. ILGINIMO LAIDAI

Galima naudoti tik naudojimui lauke skirtus ilginimo laidus, dengtus įprasto atsparumo PVC izoliacija arba didelio atsparumo lankščios gumos izoliacija, kurių skersmuo yra ne mažesnis nei 0,75 mm². Prieš pradėdami naudoti, patikrinkite maitinimo ir ilginimo laidus, ar jie nebuvo pažeisti naudojimo metu; pažeistus arba senus laidus pakeiskite naujais. Jeigu vejamąją naudojimo metu pažeistumėte laidą, tuoj pat atjunkite jį nuo maitinimo tinklo. NELIESKITE LAIDO, KOL NEATJUNGSITE JO NUO MAITINIMO TINKLO. Nenaudokite prietaiso, jeigu laidas yra pažeistas arba nusidėvėjęs. Laikykite ilginimo laidus atokiai nuo pjovimo elementų.

 **ĮSPĖJIMAS:** Ventilacijos angos turi būti švarios: nedulkėtos ir nepurvinos.

12. Techninė priežiūra

1. Panaudoję įrenginį, atjunkite jį nuo maitinimo tinklo ir patikrinkite, ar jis neappadintas.
2. Nenaudojamą įrenginį laikykite vaikams nepasiekiamoje vietoje.
3. Elektra varomas žoliapjovės gali taisyti tik įgaliotojo techninio aptarnavimo centro meistrai.
4. Dėl bet kokių remonto arba reguliavimo darbų, kurie nėra aprašyti šiame vadove, kreipkitės į įgaliotąjį techninio aptarnavimo centrą.
5. Naudokite tik gamintojo rekomenduojamas keičiamąsias dalis ir priedus.

13. SENŲ ĮRENGINIŲ IŠMETIMAS NEDARANT ŽALOS APLINKAI



Atsižvelgiant į ES Direktyvą 2002/96/EB dėl elektrinių ir elektroninių įrenginių bei jos įgyvendinimą pagal nacionalinius teisės aktus, visi elektriniai įrankiai privalo būti surenkami atskirai nuo buitinių atliekų bei perdirbami tokiu būdu, kad nebūtų daroma žala aplinkai.

Alternatyvus išmetimo būdas: Jeigu elektrinio įrankio savininkas negražina seno įrankio gamintojui, jis privalo tinkamai jį išmesti specialiuose atliekų surinkimo punktuose, kuriuose toks prietaisas paruošiamas perdirbimui, atsižvelgiant į nacionalinius teisės aktus ir taisykles dėl atliekų perdirbimo.

Tai netaikytina priedams ir įrankiams, kuriuose nėra elektrinių arba elektroninių sudedamųjų dalių.

EB atitikties deklaracija

Mes, „Makita Corporation“ bendrovė, būdami atsakingas gamintojas, pareiškiame, kad šis „Makita“ mechanizmas(-ai):

Mechanizmo paskirtis: Vielinė žoliapjovė

Modelio Nr./ tipas: UR3000

Techninės sąlygos: žr. lentelę „TECHNINIAI DUOMENYS“.

priklauso serijinei gamybai ir

atitinka šias Europos direktyvas:

2000/14/EB, 2004/108/EB, 2006/42/EB, 2006/95/EB

ir yra pagaminti pagal šį standartą arba normatyvinius dokumentus:

EN55014, EN60335, EN61000, EN62233

Techninė dokumentacija saugomas pas mūsų įgaliotąjį

atstovą Europoje, kuris yra:

Makita International Europe Ltd.

Michigan Drive, Tongwell,

Milton Keynes, MK15 8JD, England (Anglija)

Atitikties įvertinimo procedūra, būtina pagal Tarybos

Direktyvą 2000/14/EB, atlikta atsižvelgiant į VIII priedą.

Paskelbtoji įstaiga:

TÜV SÜD Industrie Service GmbH

Westendstraße 199, D-80686 München

Identifikacinis numeris: 0036

Nustatytas garso galios lygis: 92,7 dB (A)

Garantuotas garso galios lygis: 96 dB (A)

2010 12. 17.

Tomoyasu Kato
Direktorius
Makita Corporation
3-11-8, Sumiyoshi-cho,
Anjo, Aichi, JAPAN

LATVIEŠU (Oriģinālās instrukcijas)

Pateicamies, ka izvēlējāties mūsu izstrādājumu. Mēs esam pārliecināti, ka mūsu ierīce atbildīs jūsu prasībām un iegūs jūsu atzinību un mēs apliecinām, ka nodrošināsim ilglaicīgu apkopi.

Pirms sākt iekārtu izmantot, uzmanīgi izlasiet šo rokasgrāmatu, kas izveidota ar nolūku jums sniegt nepieciešamo informāciju pareizai lietošanai atbilstoši pamata drošības noteikumiem.



SIMBOLI

Uz instrumenta var būt izmantoti daži no šiem simboliem. Lūdzu, iepazīstieties ar tiem un uzziniet to nozīmi, jo simbolu pareiza interpretācija ļaus instrumentu lietot drošāk un efektīvāk.

SIMBOLS	NOSAUKUMS	SKAIDROJUMS
	CE marķējums	Izstrādājums atbilst Eiropas Kopienā (tagad Eiropas Savienībā) piemērojamām prasībām un noteikumiem.
	II klases konstrukcija	Dubultās izolācijas konstrukcija.
	WEEE MARĶĒJUMS	UZMANĪBU! Neizmetiet nolietotus instrumentus kopā ar mājsaimniecības atkritumiem. Tie jāaizved uz publisku savākšanas punktu, kur tos likvidēs saskaņā ar vietējiem noteikumiem.
	Izlasiet norādījumus lietotājam	Lai ievainojumu risks būtu mazāks, lietotājam pirms izstrādājuma lietošanas jāizlasa un jāizprot lietotāja rokasgrāmata.
	Elektriskās strāvas trieciens!	Ja vads ir bojāts vai sapinies, atvienojiet tīkla kontaktdakšu.
	Neatstājiet lietū	Neatstājiet instrumentu ārpus telpām vai lietū.
	Lietojiet acu aizsargus	Lai samazinātu acu ievainojumu risku, lietojiet acu aizsargus!
	Trokšņa līmeņa marķējums	Instrumenta trokšņa līmenis nepārsniedz 96 dB.
	NEĻAUJIET TUVUMĀ ATRASTIES NEVIENAI NEPIEDEROŠAI PERSONAI!	NEĻAUJIET TUVUMĀ ATRASTIES NEVIENAI NEPIEDEROŠAI PERSONAI!

1. SVARĪGI DROŠĪBAS NORĀDĪJUMI

Drošības noteikumu mērķis ir pievērst jūsu uzmanību iespējamām briesmām. Jums jāpievērš īpaša uzmanība drošības simboliem un to skaidrojumiem un tie jāizprot. Drošības brīdinājumi kā tādi nemazina briesmas. Vienmēr izmantojiet atbilstošu aizsargaprīkojumu, piemēram, aizsargus, arī tad, ja ievērojat drošības norādījumus un brīdinājumus.



DROŠĪBAS BRĪDINĀJUMA SIMBOLS: pievērst uzmanību vai brīdina, un to izmanto kopā ar citiem simboliem un attēliem.



BRĪDINĀJUMS: Drošības brīdinājuma neievērošana var izraisīt nopietnus ievainojumus lietotājam vai citiem. Vienmēr ievērojiet drošības pasākumus, lai mazinātu ugunsgrēka, elektriskās strāvas trieciena un personas ievainojumu risku. Saglabājiet lietošanas rokasgrāmatu un izskatiet to laiku pa laiku, lai iepazītos ar instrumenta drošu lietošanu un apmācītu citus, kas varētu lietot šo instrumentu.



BRĪDINĀJUMS: Nekad neizmantojiet trimeru, ja nav pareizi uzstādīts aizsargs. Ja neievēro šo brīdinājumu, var radīt nopietnus personas ievainojumus.



BRĪDINĀJUMS: Iepazīstieties ar ierīces vadības iekārtām un pareizu izmantošanu.



BRĪDINĀJUMS: Št ierīce ekspluatācijas laikā rada elektromagnētisko lauku. Atsevišķos gadījumos šis lauks var ietekmēt aktīvos vai pasīvos medicīniskos implantātus. Lai samazinātu nopietnu vai nāvīgu ievainojumu risku, personām ar medicīniskiem implantātiem pirms ierīces lietošanas mēs iesakām konsultēties ar savu ārstu un medicīnisko implantātu ražotāju.



BRĪDINĀJUMS: Instrumenta darbības laikā jūsu acīs var iekļūt svešķermeņi, kas var izraisīt redzes zudumu vai nopietnus acu ievainojumus. Pirms sākt lietot instrumentu, uzlieciet aizsargbrilles vai brilles ar sānu aizsargiem un sejas masku, kad tas nepieciešams. Mēs iesakām izmantot plata leņķa aizsargmasku virs aizsargbrillēm vai standarta aizsargbrilles ar sānu aizsargiem.

1. Šo ierīci nevar izmantot personas (tai skaitā bērni) ar samazinātām fiziskām, sensoriskām vai psihiskām spējām, vai kam trūkst pieredze un zināšanas, ja tām nav nodrošināta uzraudzība un sniegti norādījumi par iekārtas izmantošanu, ko sniegusi persona, kas atbildīga par to drošību.
2. Bērni ir jāuzrauga, lai nepieļautu bērnu spēlēšanos ar iekārtu.
3. Uzmanīgi izlasiet norādījumus.
4. Iepazīstieties ar ierīces vadības iekārtām un pareizu izmantošanu.
5. Pirms lietošanas pārbaudiet, vai elektroapgādes un pagarinātāja vads nav bojāts vai nodilis.
6. Ja lietošanas laikā vadu sabojā, nekavējoties atvienojiet vadu no elektrības tīkla.
NEPIESKARIETIES VADAM PIRMS TĀ ATVIENOŠANAS NO ELEKTRĪBAS TĪKLA.
7. Neizmantojiet zāles plaujmašīnu (malu trimeru), ja vads ir bojāts vai nodilis.
8. Brīdinājums: Griezējelementi turpina griezties arī pēc motora izslēgšanas.
9. Neturiet pagarinātāja vadu griezējelementu tuvumā.
10. Lietojiet aizsargbrilles vai brilles.

2. VISPĀRĪGA IDENTIFIKĀCIJA (1. att.)

- | | |
|-----------------------------|----------------------|
| 1. Drošības bloķēšanas poga | 6. Slēdža mēlīte |
| 2. Paliņgrokturis | 7. Caurule |
| 3. Bloķēšanas kloķis | 8. Motora korpuss |
| 4. Regulēšanas poga | 9. Drošības aizsargs |
| 5. Galvenais rokturis | |

Piederumi:

- Siksna
- Acu aizsargstikls

11. Nepieļaujiet, lai zāles plaujmašīnu izmanto bērni vai cilvēki, kas nepārzina ierīces izmantošanas norādījumus.
12. Pārtrauciet darbu ar ierīci, ja tuvumā ir cilvēki, jo īpaši bērni, vai dzīvnieki.
13. Ierīci izmantojiet tikai dienas gaismā vai labā mākslīgā apgaismojumā.
14. Pirms ierīces izmantošanas vai pēc notikuša trieciena, pārbaudiet, vai ierīcei nav nodilumi vai bojājumi, un, ja nepieciešams, salabojiet.
15. Nekad nelietojiet ierīci ar bojātu aizsargu vai bez tā.
16. Rokas un kājas nekad neturiet griezējinstrumenta tuvumā, jo sevišķi tad, kad ieslēdz motoru.
17. Uzmanieties, lai sevi neievainotu ar ierīci, kas paredzēta auklas nogriešanai vajadzīgajā garumā. Pēc jaunas griešanas auklas izvērīšanas vienmēr novietojiet ierīci pareizā ekspluatācijas stāvoklī, pirms to ieslēgt.
18. Nekad neuzstādiēt metāla griezējelementus.
19. Nekad neizmantojiet rezerves daļas un piederumus, ko nav piegādājis vai ieteicis ražotājs.
20. Pirms ierīces pārbaudes, tīrīšanas vai strādāšanas ar to, kā arī tad, kad to nelieto, atvienojiet ierīci no elektrības tīkla.
21. Vienmēr nodrošiniet, lai ventilācijas atverēs nav netīrumi.
22. Ja ierīces marķējumā izmanto simbolus (piktogrammas), to funkcijas tiek izskaidrotas.
23. Vienmēr atvienojiet trimeru no elektrības tīkla, kad atstājat trimeru bez uzraudzības.
24. Kamēr ierīci neizmantojat, glabājiet to bērniem nepieejamā vietā.
25. Elektrisko trimeru drīkst labot tikai pilnvarotā servisa centrā.
26. Pilnvarotā servisa centrā lūdziet veikt remontu vai regulēšanu, kas nav aprakstīta šajā rokasgrāmatā.
27. Izmantojiet tikai ražotāja ieteiktās rezerves daļas un piederumus.



Tā kā Makita nepārtraukti turpina uzlabot izstrādājumus, izstrādājuma īpašības un tehniskie dati var tikt mainīti bez iepriekšēja brīdinājuma.

3. TEHNISKIE DATI

Modelis	UR3000
Nominālais spriegums:	230 - 240 V~
Nominālā frekvence:	50 - 60 Hz
Nominālā jauda:	450 W
Brīvgaitas ātrums:	9 000 min ⁻¹
Plāšanas dziļums:	300 mm
Auklas izmērs:	Φ1,65 mm
Skaņas spiediena līmenis lietotāja atrašanās vietā:	75,1 dB (A) K=3 dB (A)
Garantētais skaņas jaudas līmenis:	96 dB (A)
Vibrācija:	2,73 m/s ² K=1,5 m/s ²
Izmērs (G/P/A):	1 016 - 1 256 / 301 / 262 mm
Neto svars:	2,6 kg

4. MONTĀŽAS NORĀDĪJUMI

Trimeru piegādā ar dažām sastāvdaļām, kas nav samontētas. Lai tās samontētu, rīkojieties kā norādīts turpmāk.

4-1 Drošības aizsarga montāža

Piestipriniet drošības aizsargu pie motora korpusa. (2. un 3. att.)

1. Uzlieciet drošības aizsargu uz motora korpusa.
2. Pagrieziet drošības aizsargu pareizajā stāvoklī.
3. Pieskrūvējiet drošības aizsargu pie motora korpusa ar skrūvi.



BRĪDINĀJUMS: Uzmanieties, lai sevi neievainotu ar asmeni, kas paredzēts auklas nogriešanai vajadzīgajā garumā. Pēc jaunas griešanas auklas izvirkšanās vienmēr novietojiet trimeru pareizā ekspluatācijas stāvoklī, pirms to ieslēgt.



BRĪDINĀJUMS: Nekad neuzstādi metāla griezējelementus.



BRĪDINĀJUMS: Nekad neizmantojiet ierīci, ja nav pareizi uzstādīts aizsargs. Ja neievēro šo brīdinājumu, var radīt nopietnus personas ievainojumus.

4-2 Palīgroktura montāža

1. Piestipriniet palīgrokturi pie turētāja. (4. att.)
2. Ievietojiet skrūvi caurumos roktura turētājā un rokturī, pēc tam pieskrūvējiet bloķēšanas kloķi pie skrūves, taču ne līdz galam. (5. att.)
3. Nolieciet ierīces galvu uz zemes, pēc tam noregulējiet palīgrokturi sev ērtā stāvoklī: (6. att.)
 - 3a. Nospiediet regulēšanas pogu un noregulējiet vajadzīgo caurules garumu.
 - 3b. Pagrieziet palīgrokturi sev ērtā leņķī.
4. Pieskrūvējiet bloķēšanas kloķi, nofiksējot palīgrokturi.

5. IEDARBINĀŠANA

Pirms trimera iedarbināšanas nofiksējiet pagarinātāja vadu caurumā galvenajā rokturī. (7. un 8. att.)

Cieši satveriet trimeru un, neļaujot tam pieskarties plaujamajai zālei, nospiediet drošības bloķēšanas pogu un slēdža mēlīti uz galvenā roktura. Lai trimeru izslēgtu, atlaidiet slēdža mēlīti. (9. att.)



BRĪDINĀJUMS: Motoru ieslēdziet tikai tad, ja rokas un kājas neatrodas griezējinstrumenta tuvumā.

6. TRIMERA KĀ MALU PLĀVĒJA IZMANTOŠANA

Lai plautu celiņu un piebraucamo ceļu malas, pārslēdziet trimeri no trimera režīma uz malu plāvēja režīmu šādi:

1. Turiet trimera cauruli ar vienu roku un ar otru roku nospiediet rotācijas pogu. (10. att.)
2. Pagrieziet cauruli par 180°, līdz tā nofiksējas malu plāušanas stāvoklī. (11. att.)



BRĪDINĀJUMS: Lai nepieļautu nejašu iedarbināšanu, kas var radīt nopietnus personas ievainojumus, vienmēr pirms ass pagriešanas atvienojiet elektrības vadu.

7. GRIEŠANAS AUKLAS KASETNES NOMAĪŅA

Trimers ir aprīkots ar pilnībā utilizējamu griešanas auklas kasetni, tādēļ nav nepieciešams veikt apgrūtināšo griešanas auklas attīšanu.


Lai nomainītu tukšo griešanas auklas kasetni, rīkojieties šādi:

1. Nospiediet abus aizturus, kas atrodas uz spoles turētāja, un izņemiet to no vāciņa (12. att.), pēc tam izņemiet tukšo spoli. (13. att.)
2. Noņemiet atsperi un vāciņu no tukšās spoles un uzlieciet uz jaunās spoles, pēc tam izvelciet divus griešanas auklas galus cauri vāciņa acīņām. (14. att.)
3. Ievietojiet jauno spoli spoles turētājā un nospiediet vāciņu, līdz to aizturi nofiksē vietā. (15. att.)

8. GRIEŠANAS AUKLAS NOMAIŅA

Lai nomaiņītu griešanas auklu:


1. Atvienojiet ierīci no elektrības tīkla.
2. Izņemiet tukšo spoli. **(12. un 13. att.)**
3. Nogrieziet jaunu griešanas auklu mazāk par 8 m un to vidū salociet.
4. Aizāķējiet griešanas auklas vidu aiz ieroba, kas atrodas spoles centrā starp 2 kanāliem, kas paredzēti griešanas auklai. Bulta uz spoles norāda griešanas auklas uztišanas virzienu. **(16. att.)**
5. Kārtīgi aptiniet griešanas auklu ap A posmu **(10)**. Pārbaudiet, vai esat to cieši un vienmērīgi aptinījis tā, lai aptītās auklas virsma nav nelīdzena. **(17. att.)**
6. Aptiniet visu griešanas auklu, izņemot apmēram 100 mm galu pagaidām aizāķējot aiz auklas turētāja **(12)** spoles sānos. **(18. att.)**
7. Tāpat aptiniet griešanas auklu B posmā **(11)** un galu pagaidām aizāķējiet. **(17. un 19. att.)**
8. Ievietojiet spoli vāciņā tā, lai pagaidām aizāķēto griešanas auklas galu **(13)** atrašanās vieta atbilst ierobiem **(14)** vāciņa sānos **(15)**. **(20. att.)**
9. Atāķējiet griešanas auklas galu no to pagaidu atrašanās vietas un ievietojiet ierobos vāciņa sānos. **(21. att.)**

 **BRĪDINĀJUMS:** Pārbaudiet, vai vāciņš ir kārtīgi piestiprināts spoles turētājam. Ja vāciņš nav pareizi piestiprināts, sastāvdaļas var izjukt, radot nopietnus personas ievainojumus.

10. Pārbaudiet, vai atspere ir savā vietā. Uzlieciet vāciņu **(15)** uz spoles turētāja **(16)**. Pārbaudiet, vai aizturi pilnībā ievirzās vāciņā. **(14., 15. un 22. att.)**
11. Nospiediet spoles pogu **(18)** un izvelciet vienu griešanas auklas galu. Pārbaudiet, vai aukla ir izvilktā. **(22. un 23. att.)**
12. Visbeidzot, nenospiežot spoles pogu, izvelciet auklas otru galu. Pārbaudiet, vai aukla ir izvilktā.

9. GRIEŠANAS AUKLAS PADEVE

Īsa vai nodilusi aukla griež mazāk efektīvi. Lai uzlabotu darbību noteiktos gadījumos, viegli atsitiet spoles pogu pret zemi, trimeram darbojoties ar pilnu jaudu. Tas automātiski pados papildu griešanas auklu. Griešanas auklas asmens **(17)** zem aizsarga ekspluatācijas laikā automātiski nogriežīs griešanas auklu pareizajā garumā. **(22. un 24. att.)**

 **PIEZĪME:** Ja griešanas aukla atsitās pret cietiem vai abrazīviem priekšmetiem, ko slēpj gara zāle, piemēram, žogu, betonu vai akmeņiem, griešanas aukla var pārtrūkt. Ja griešanas aukla pārtrūkst, veiciet auklas padevi.

10. LIETOŠANAS NORĀDĪJUMI

Iedarbiniet trimeru pirms atrašanās pie zāles, ko nepieciešams nopļaut.

Pļaujiet zāli, lēnām virzot trimeru no labās uz kreiso pusi un turot trimeru noliektu par apmēram 30°. Gara zāle jāpļauj slāņos, vienmēr sākot no augšas. Slāņiem jābūt nelieliem.

Neplaujiet mitru vai slapju zāli.

Neļaujiet auklai pārāk ātri izlietoties, atsitot trimeru pret cietiem priekšmetiem (akmeņiem, sienu, žogu u. c.). Izmantojiet aizsarga malu, lai trimers atrastos pareizajā attālumā.



BRĪDINĀJUMS: Nelietojiet pārmērīgu spēku, atsitot trimera galvu pret zemi, lai padotu pļaušanas auklu. Ja pļaušanas aukla neizvirzās pēc trimera galvas atsišanas pret zemi, trimeram darbojoties, griešanas aukla var būt iekļūrusies vai saplīsusies kasetnes iekšpusē vai griešanas aukla var būt izlietota.

PIEZĪME: Ja izmanto pārmērīgu spēku, atsitot trimera galvu pret zemi, lai padotu pļaušanas auklu, tas var sabojāt trimera galvu.



BRĪDINĀJUMS: Griezējgalva vairākas sekundes turpina griezties pēc tam, kad motors ir izslēgts.

11. PAGARINĀTĀJI

Izmantojiet tikai tādas pagarinātājus, kas paredzēti izmantošanai ārpus telpām, parastas slodzes vai ar elastīgu lielas noslodzes gumiju apšūtu PVC, ar šķērsriezuma laukumu, kas nav mazāks par 0,75 mm². Pirms lietošanas pārbaudiet, vai elektroapgādes un pagarinātāja vadam nav bojājumi, kas radušies lietošanas laikā. Atvienojiet vadu, ja tam ir bojājuma vai nodiluma pazīmes. Ja lietošanas laikā vadu sabojā, nekavējoties atvienojiet vadu no elektrības tīkla. **NEPIESKARIETIES VADAM PIRMS TĀ ATVIENOŠANAS NO ELEKTRĪBAS TĪKLA.** Neizmantojiet ierīci, ja vads ir bojāts vai nodilis. Neturiet vadu griezējelementu tuvumā.



BRĪDINĀJUMS: Vienmēr nodrošiniet, lai ventilācijas atverēs nav netīrumu.

12. TEHNISKĀ AKOPE

1. Pēc lietošanas atvienojiet ierīci no elektrības tīkla un pārbaudiet, vai tai nav bojājumu.
2. Kamēr ierīci neizmantojat, glabājiet to bērniem nepieejamā vietā.
3. Elektrisko trimeru drīkst labot tikai pilnvarotā servisa centrā.
4. Pilnvarotā servisa centrā lūdziet veikt remontu vai regulēšanu, kas nav aprakstīta šajā rokasgrāmatā.
5. Izmantojiet tikai ražotāja ieteiktās rezerves daļas un piederumus.

13. VIDEI NEKAITĪGA LIKVIDĒŠANA



Saskaņā ar ES Direktīvu 2002/96/EK par elektrisko un elektronisko iekārtu atkritumiem un tās ieviešanu dalībvalstu normatīvajos un administratīvajos aktos, visi elektroinstrumenti ir jāsavāc atsevišķi un jāpārstrādā nekaitīgi

apkārtējai videi. Alternatīva likvidēšana. Ja mehanizētā darbarīka īpašnieks darbarīku nenodod ražotājam, viņš ir atbildīgs par tā atbilstošu nodošanu paredzētajā savākšanas vietā, kur ierīci sagatavo pārstrādei saskaņā ar valsts atkārtotas pārstrādes tiesību aktiem un noteikumiem.

Tas neietver piederumus un darbarīkus bez elektriskajām vai elektroniskajām sastāvdaļām.

EK atbilstības deklarācija

Uzņēmums „Makita Corporation”, kā atbildīgais ražotājs paziņo, ka šāds/-i „Makita” instruments/-i:

Darbarīka nosaukums: Zāles trimers

Modeļa Nr./ tips: UR3000

Specifikācijas: skatīt tabulu „TEHNISKIE DATI”.

Ir sērijveida izstrādājums/-i un

atbilst šādām Eiropas Savienības Direktīvām:

2000/14/EK, 2004/108/EK, 2006/42/EK, 2006/95/EK

Un ražots/-i saskaņā ar šādu standartu vai normatīvajiem dokumentiem:

EN55014, EN60335, EN61000, EN62233

Tehnisko dokumentāciju uztur mūsu pilnvarots pārstāvis Eiropā:

Makita International Europe Ltd.

Michigan Drive, Tongwell

Milton Keynes, MK15 8JD, Anglija

Atbilstības novērtējuma procedūru, ko nosaka Direktīva 2000/14/EK, veica atbilstoši VIII pielikumam.

Pieteiktā iestāde:

TÜV SÜD Industrie Service GmbH

Westendstraße 199, D-80686 München

Identifikācijas numurs: 0036

Novērtētais skaņas jaudas līmenis: 92,7 dB (A)

Garantētais skaņas jaudas līmenis: 96 dB (A)

17. 12. 2010



Tomojasu Kato

Direktors

Makita Corporation

3-11-8, Sumiyoshi-cho,

Anjo, Aichi, JAPAN

EESTI (Originaaljuhendid)

Täname, et valisite meie toote. Oleme kindlad, et meie kvaliteetne seade vastab Teie vajadustele ning teenib Teid pikka aega.

Enne masinaga töö alustamist lugege kindlasti hoolega läbi see kasutusjuhend, mis on koostatud selleks, et varustada Teid vajaliku teabega õige kasutamise ja elementaarsete ohutusnõuete kohta.



SÜMBOLID

Mõnda järgmistest sümbolitest võib olla Teie tööriistal kasutatud; palun uurige neid ja tehke selgeks nende tähendus. Nende sümbolite õige tõlgendamine võimaldab Teil tööriista ohutult ja efektiivsemalt kasutada.

SÜMBOLID	NIMETUS	SELGITUS
	CE-märgis	Toode vastab Euroopa Ühenduse (praegu Euroopa Liit) nõuetele ja seadusesätetele.
	II astme konstruktsioon	Kahekordse isolatsiooniga konstruktsioon.
	EES-märgis	ETTEVAATUST! Kasutuskõlbmatuid elektritööriistu ei tohi visata olmeprügi hulka. Need tuleb viia kohaliku kogumiskohta, et need saaksid keskkonnasõbralikult ja kohalikke õigusakte järgides jäätmekäitlusse suunatud.
	Lugege kasutusjuhiseid	Vigastusohu vähendamiseks peab kasutaja enne selle toote kasutamist lugema kasutusjuhendi läbi ja sellest aru saama.
	Elektrilöökl	Kui toitejuhe saab kasutamise ajal vigastada või siis, kui see on keerdus, ühendage pistik vooluvõrgust lahti.
	Ärge jätke vihma kätte	Ärge jätke tööriista välja ega vihma kätte.
	Kandke kaitseprille	Nägemiskahjustuste ohu vähendamiseks kandke kaitseprille!
	Mürataseme märgis	Teie tööriista müra ei ületa 96 dB.
	HOIDKE KÕIK KÕRVALISED ISIKUD EEMAL!	HOIDKE KÕIK KÕRVALISED ISIKUD EEMAL!

1. TÄHTSAD OHUTUSJUHISED

Ohutuseeskirjade eesmärk on pöörata tähelepanu võimalikele ohtudele. Ohusümbolid ja nende juures toodud selgitavad ohutusteated nõuavad Teilt erilist tähelepanelikkust ja arusaamist. Ohutusteadete järgimine ei kõrvalda ohtu. Kasutage alati sobivat ohutusvarustust nagu kaitsekate, kuigi järgite ohutusjuhiseid ja hoiatusi.



OHUSÜMBOL: tähendab hoiatust ja manitseb ettevaatusele; seda võidakse kasutada koos teiste sümbolite või piltidega.



HOIATUS: õppige põhjalikult tundma seadme juhtimisseadiseid ja varustuse õiget kasutamist.



HOIATUS: ohutusteate eiramine võib põhjustada tõsise kehavigastuse Teile endale või teistele. Järgige alati ettevaatusabinõusid, et vähendada tulekahju, elektrilöögi ja kehavigastuse tekkimise võimalust. Hoidke kasutusjuhend alles ning lugege ohutu töö tagamiseks seda sageli uuesti ja juhendage teisi selle tööriistaga töötavaid isikuid.



HOIATUS: ärge kunagi kasutage trimmerit, kui kaitsekate ei ole õigesti paigaldatud. Selle hoiatuse eiramine võib põhjustada tõsiseid kehavigastusi.



HIOIATUS: see masin tekitab töötamise ajal elektromagnetilise välja. Mõningatel juhtudel võib see või mõjutada aktiivseid või passiivseid meditsiinilisi implantaate. Soovitame meditsiiniliste implantaatidega isikutel enne antud masina kasutamist pidada tõsise või eluohtliku vigastuse vältimiseks nõu arsti ja meditsiinilise implantaadi tootjaga.



HIOIATUS: mis tahes tööriista või seadmega töötamine võib põhjustada võõrkehade sattumise silma, mille tagajärjeks võib olla tõsine silmakahjustus. Elektriiseadmega töötamisel kandke alati kaitseprille või küljekaitsemega kaitseprille ning vajaduse korral kogu nägu katvat näokaitset. Soovitame optiliste prillide peal kanda spetsiaalset kaitsemaski või standardseid küljekaitsemega kaitseprille.

1. Seda seadet ei tohiks kasutada väheste kehaliste või vaimsete võimetega või piiratud tajumisvõimega isikud (kaasa arvatud lapsed) ega ka isikud, kellel puuduvad vastavad oskused ja kogemus, välja arvatud juhul, kui nad töötavad vastutava isiku järelevalve all või on saanud asjakohaseid juhiseid seadme kasutamiseks.
2. Jälgige, et lapsed ei kasutaks seadet mängimiseks.
3. Lugege tähelepanelikult juhiseid.
4. Õppige põhjalikult tundma seadme juhtimiseseadiseid ja varustuse õiget kasutamist.
5. Enne kasutamist kontrollige, kas toite- ja pikendusjuhtmetel esineb märke kahjustustest või kulumisest.
6. Kui toitejuhe saab kasutamise ajal vigastada, ühendage toitejuhe kohe vooluvõrgust lahti. **ÄRGE PUUDUTAGE JUHET ENNE, KUI OLETE SELLE VOOLUVÕRGUST EEMALDANUD.**
7. Ärge kasutage murutrimmerit (servatrimmerit), kui juhe on katki või kulunud.
8. Hoiatus: lõikeseade jätkab pöörlemist ka pärast mootori väljalülitamist.
9. Hoidke pikendusjuhe lõikeseadme eemal.
10. Kandke kaitseprille või -maski.

2. ÜLEVAADE (joon 1)

- | | |
|----------------------|-------------------|
| 1. Turvalukustusnupp | 6. Lülitusnupp |
| 2. Lisakäepide | 7. Vars |
| 3. Lukustusnupp | 8. Mootori korpus |
| 4. Reguleerimisnupp | 9. Kaitsekate |
| 5. Põhikäepide | |

- Tarvikud:
- Rihm
 - Kaitseprillid

11. Mitte mingil juhul ärge lubage masinat kasutada lastel ega isikutel, kes pole tutvunud kasutusjuhendiga.
12. Lõpetage masina kasutamine, kui läheduses viibivad inimesed (eriti lapsed) või lemmikloomad.
13. Kasutage masinat ainult päevavalguses või korralikus kunstvalguses.
14. Enne masina kasutamist ja pärast iga lööki kontrollige, kas on kulumise või kahjustuste märke ning vajadusel parandage need.
15. Ärge kunagi kasutage masinat, mille kaitsekate on kahjustatud või millel ei ole kaitsekate.
16. Hoidke käed ja jalad alati lõikeseadme eemal, eriti siis, kui lülitate mootori sisse.
17. Hoiduge vigastustest, mis võivad tekkida lõikejõhvi pikkuse reguleerimise seadme. Pärast lõikejõhvi pikendamist pöörake masin alati enne sisselülitamist tavalisse tööasendisse tagasi.
18. Ärge paigaldage kunagi metallist lõikeseadet.
19. Ärge kasutage kunagi varuosi ja tarvikuid, mis pole tööriistatootja toodetud või soovitatud.
20. Ühendage masin elektritoitest lahti enne masina kontrollimist, puhastamist või masina juures töö tegemist ning siis, kui masinat ei kasutata.
21. Kandke hoolt, et ventilatsioonivad oleksid alati prahist puhtad.
22. Kui masina tähistuses on sümbolid või piktogramm, tuleb nende otstarve selgeks teha.
23. Kui jätate trimmeri järelevalveta, ühendage see alati elektritoitest lahti.
24. Kui masinat ei kasutata, hoidke seda lastele kättesaamatus kohas.
25. Elektrilisi trimmereid võib remontida ainult volitatud hooldustöökojas.
26. Paluge volitatud hooldustöökojas teha kõik remondi- või reguleerimistööd, mida ei ole selles kasutusjuhendis kirjeldatud.
27. Kasutage ainult tootja soovitatud varuosi ja tarvikuid.



Makita pideva tooteuenduspoliitika tõttu muudetakse toodete omadusi ja tehnilisi andmeid ette teatamata.

3. TEHNILISED ANDMED

Mudel	UR3000
Nimipinge:	230 - 240 V~
Nominaalsagedus:	50 - 60 Hz
Nominaalvõimsus:	450 W
Koormuseta kiirus:	9000 min ⁻¹
Lõikelaius:	300 mm
Jõhvi suurus:	Φ1,65 mm
Hellirõhutase kasutaja töökohal:	75,1 dB (A) K=3 dB (A)
Garanteeritud müratugevuse tase:	96 dB (A)
Vibratsioon:	2,73 m/s ² K=1,5 m/s ²
Mõõtmised (P/L/K):	1016 - 1256 / 301 / 262 mm
Netomass:	2,6 kg

4. KOKKUPANEMISJUHIS

Trimmer tarnitakse nii, et mõned komponendid on kokku panemata. Nende kokkupanemiseks toimige järgmiselt.

4-1 Kaitsekatte paigaldamine

Kinnitage kaitsekate mootori korpuse külge. (Joon. 2 ja 3)

1. Asetage kaitsekate mootori korpuse peale.
2. Keerake kaitsekate õigesse asendisse.
3. Kinnitage kaitsekate krugiga mootori korpuse külge.



HOIATUS: olge ettevaatlik, et Te ei vigastaks end kaitsekatte küljes asuva teraga, mis on mõeldud jõhvi pikkuse reguleerimiseks. Pärast jõhvi pikendamist pöörake trimmer alati enne sisselülitamist tavalisse tööasendisse tagasi.



HOIATUS: ärge paigaldage kunagi metallist lõikeseadet.



HOIATUS: ärge kasutage seda kunagi, kui kaitsekate ei ole õigesti paigaldatud. Selle hoiatuse eiramine võib põhjustada tõsiseid kehavigastusi.

4-2 Lisakäepideme paigaldamine

1. Pange lisakäepideme kinnitusse. (Joon. 4)
2. Pistke läbi kinnituse ja käepideme aukude polt ning keerake polti otsa lukustusnupp, kuid ärge keerake täielikult kinni. (Joon. 5)
3. Pange masina ots vastu maad, seejärel seadke lisakäepideme teise käepideme suhtes enda jaoks mugavasse asendisse. (Joon. 6)
 - 3a. Vajutage reguleerimisnuppu, seadke varre pikkus endale sobivaks.
 - 3b. Pöörake lisakäepideme enda jaoks sobiva nurga alla.
4. Keerake lukustusnupp lisakäepideme kinnitamiseks kinni.

5. KÄIVITAMINE

Enne trimmeri käivitamist kinnitage pikendusjuhe põhikäepideme auku. (Joon. 7 ja 8)

Hoidke trimmerit tugevasti ja ärge laske sellel niidetavat muru puudutada; seejärel vajutage alla turvalukustusnupp ja ülemine lülitusnupp ning käepide.

Trimmeri väljalülitamiseks vabastage lülitusnupp.

(Joon. 9)



HOIATUS: lülitage mootor sisse ainult siis, kui käed ja jalad on lõikeseadmest eemal.

6. TRIMMERI KASUTAMINE SERVADE NIITMISEKS

Sissesõiduteede ja teeradade äärte niitmiseks muutke trimmer tavalise niitmise asendist serva niitmise asendisse.

1. Hoidke ühe käega trimmeri vart ja vajutage teise käega pööramisnuppu. (Joon. 10)
2. Pöörake vart 180°, kuni see lukustub serva niitmise asendis. (Joon. 11)



HOIATUS: enne varre pööramist ühendage toitejuhe alati lahti, et hoida ära juhuslik käivitamine, mis võib põhjustada tõsiseid kehavigastusi.

7. TRIMMIPEA VAHETAMINE

Trimmeril on ühekordselt kasutatav trimmipea, mistõttu ei ole vaja näha vaeva lõikejõhvi pealekerimisega.

Asendage tühi trimmipea järgmiselt.


1. Vajutage pooli hoidiku mõlemat vabastusnuppu ja tõmmake koos kaanega üles (Joon. 12); võtke tühi pool välja. (Joon. 13)
2. Võtke vedru ja kaas tühjalt poolilt ning pange uue pooli külge, seejärel ajage uue pooli kaks lõikejõhvi läbi kaane avade. (Joon. 14)
3. Asetage uus pool pooli hoidikusse ja suruge kaant allapoole, kuni see lukustub vabastusnuppude alla. (Joon. 15)

8. JÕHVI POOLILE KERIMINE

Jõhvi poolile kerimiseks toimige järgmiselt.

1. Ühendage masin elektritoitest lahti.
2. Võtke tühi pool välja. (Joon. 12 ja 13)


- Lõigake uus jõhv vähem kui 8 m pikkuseks ning murdke keskel kokku.
- Kinnitage uue lõikejõhvi keskoht pooli keskel olevale sälgule 2 jõhvikanalil vahel. Poolil asuv nool näitab lõikejõhvi kerimise suunda. (**Joon. 16**)
- Kerige lõikejõhvi korralikult A sektsiooni (**10**) ümber. Kerige see tihedalt ja ühtlaselt, et keritud jõhvi pind ei oleks ebatasane. (**Joon. 17**)
- Kerige poolile kogu nõõr, välja arvatud 100 mm pikkune jõhviots, mis tuleb kinnitada ajutiselt pooli küljel asuva sälguga (**12**) taasi. (**Joon. 18**)
- Kerige lõikejõhvi samamoodi ka B sektsioonis (**11**) ning jätke ots ajutiselt kinnitatuks. (**Joon. 17 ja 19**)
- Pange pool kaane sisse nii, et ajutiselt kinnitatud jõhviotsad (**13**) jäävad kaane (**15**) küljel asuvate sälkude (**14**) kohale. (**Joon. 20**)
- Vabastage lõikejõhvi otsad ajutisest kinnitusest ja kinnitage need kaane küljel asuvatesse sälkudesse. (**Joon. 21**)

 **HOIATUS:** hoolitsege selle eest, et kaas oleks pooli hoidikusse korralikult kinnitatud. Kui kaas ei ole õigesti kinnitatud, võivad komponendid eemale lennates põhjustada tõsise vigastuse.

- Veenduge, et vedru on kohal. Lükake kaas (**15**) pooli hoidikusse (**16**). Veenduge, et klambrid ulatuksid täiesti üle kaane. (**Joon. 14, 15 ja 22**)
- Vajutage pooli nuppu (**18**) ja tõmmake üks jõhviots välja. Veenduge, et jõhv on piisavalt väljas. (**Joon. 22 ja 23**)
- Lõpuks tõmmake ilma pooli nuppu vajutamata teine jõhviots välja. Veenduge, et jõhv on piisavalt väljas.

9. LÕIKEJÕHVI ETTEANDMINE

Lühikesed või kulunud jõhvid ei lõika tõhusalt. Paremate töötulemuste saamiseks koputage pooli nupuga kergelt vastu maad sel ajal, kui trimmer täiskiirusel töötab. See annab automaatselt lõikejõhvi juurde. Kaitsekatte all asuv lõikejõhvi tera (**17**) lõikab jõhvi pikkuse töö käigus automaatselt õigeks. (**Joon. 22 ja 24**)

 **MÄRKUS:** lõikejõhv võib puruneda, kui puutub kõvade või abrasiivsete esemete vastu nagu kõrges rohuh peituvad tara, betoon ja kivid. Kui lõikejõhv katkeb, toimige nagu jõhvi etteandmisel.

10. KASUTUSJUHISED

Käivitage trimmer enne niidetava rohu juurde panemist. Niitke trimmerit paremal vasakule liigutades ja aeglaselt edasi liikudes; hoidke trimmer umbes 30° nurga all. Kõrget heina tuleb niita osade kaupa, alati ülemisest otsast alustades. Lõiked peavad olema lühikesed. Ärge niitke niisket ega nõõra rohtu. Vältige jõhvi kiiret kulumist kõvade esemete (kivi, seinad, tara jne) vastu puutumisel. Kasutage kaitsekatte serva, et hoida trimmerit õigel kaugusel.



HOIATUS: ärge kasutage liigset jõudu ega löõge trimmipead jõhvi etteandmiseks vastu maad. Kui trimmipea koputamisel vastu maad ei tule jõhvi juurde, siis võib jõhv olla trimmipea sees sassis või katkenud või on lõikejõhv otsa saanud. **MÄRKUS:** liigse jõu kasutamine või trimmipea vastu maad löõmine jõhvi etteandmiseks kahjustab trimmipead.



HOIATUS: pärast mootori väljalülitamist pöörleb lõikepea mõne sekundi jooksul edasi.

11. PIKENDUSJUHTMED

Kasutage ainult vabas õhus kasutamiseks mõeldud pikendusjuhtmeid, mille kate on valmistatud tavalisest PVC-st või elastsest vastupidavast kummist ning mille ristlõikepindala on vähemalt 0,75 mm². Enne kasutamist kontrollige, kas toite- ja pikendusjuhtmetel esineb märke kahjustustest. Ühendage kahjustunud või kulunud juhe kohe vooluvõrgust lahti. Kui toitejuhe saab kasutamise ajal vigastada, ühendage toitejuhe kohe vooluvõrgust lahti. **ÄRGE PUUDUTAGE JUHET ENNE, KUI OLETE SELLE VOOLUVÕRGUST EEMALDANUD.** Ärge kasutage seadet, kui selle toitejuhe on kahjustunud või kulunud. Hoidke pikendusjuhe lõikeseadme eemal.



HOIATUS: kandke hoolt, et ventilatsiooniavad oleksid alati prahist puhtad.

12. HOOLDUS

- Pärast kasutamist ühendage masin elektritoitest lahti ja kontrollige kahjustusi.
- Kui masinat ei kasutata, hoidke seda lastele kättesaamatus kohas.
- Elektrilisi trimmereid võib remontida ainult volitatud hooldustöökojas.
- Paluge volitatud hooldustöökojas teha kõik remondi- ja reguleerimistööd, mida ei ole selles kasutusjuhendis kirjeldatud.
- Kasutage ainult tootja soovitatud varuosi ja tarvikuid.

13. KASUTUSEST KÕRVALDAMINE KESKKONNAOHUTUL VIISIL



Vastavalt EL elektri- ja elektroonikaseadmete direktiivile 2002/96/EÜ ja selle ühildamisel riikliku seadusandlusega tuleb kõik elektriseadmed koguda kokku eraldi ja tõeldada ümber keskkonnale ohutul viisil. Alternatiivne viis kasutusest kõrvaldamiseks: kui elektritööriista või -seadme omanik ei tagasta kasutusest kõrvaldatudööriista või seadet tootjale, peab ta selle viima kindlaksmääratud jäätmete kogumispunkti, kus seade valmistatakse ette keskkonnasäästlikuks ümbertöötlemiseks. Nimetatud nõue ei kehti tarvikute ning tööriistade ja seadmete kohta, millel puuduvad elektrilised või elektroonilised komponendid.

EÜ vastavusdeklaratsioon

Makita korporatsiooni vastutava tootjana kinnitame, et alljärgnev(ad) Makita seade (seadmed):

Masina tähistus: Murutrimmer

Mudeli nr/tüüp: UR3000

Tehnilised andmed: vt tabel „TEHNILISED ANDMED“.

on seeriatoodang ja

vastab järgmiste Euroopa direktiivide nõuetele:

2000/14/EÜ, 2004/108/EÜ, 2006/42/EÜ, 2006/95/EÜ

ning on toodetud vastavalt järgmistele standarditele või standardiseeritud dokumendile:

EN55014, EN60335, EN61000, EN62233

Tehnilist dokumentatsiooni hoitakse meie volitatud

esindaja käes Euroopas, kelleks on:

Makita International Europe Ltd.

Michigan Drive, Tongwell,

Milton Keynes, MK15 8JD, Inglismaa

Vastavuse hindamise protseduur vastavalt direktiivile

2000/14/EÜ oli kooskõlas lisaga VIII.

Teavitatud asutus:

TÜV SÜD Industrie Service GmbH

Westendstraße 199, D-80686 München

Identifitseerimisnumber: 0036

Mõõdetud müratugevuse tase: 92,7 dB (A)

Garanteeritud müratugevuse tase: 96 dB (A)

17. 12. 2010



Tomoyasu Kato

Direktor

Makita Corporation

3-11-8, Sumiyoshi-cho,

Anjo, Aichi, JAPAN

SRPSKI (Originalno uputstvo)

Čestitamo vam što ste izabrali naše proizvode. Uvereni smo da ćete biti zadovoljni visokim kvalitetom naše mašine kao i da će vas dugo i dobro služiti.

Pre nego što započnete sa upotrebom mašine pažljivo pročitajte ovo uputstvo, koje je zamišljeno sa namerom da vam pruži sve neophodne informacije o pravilnoj upotrebi u skladu sa osnovnim bezbednosnim zahtevima.



SIMBOLI

Moguće je da su neki od sledećih simbola upotrebljeni na vašem alatu, molimo vas da ih proučite i naučite njihovo značenje, pravilno tumačenje ovih simbola omogućiće vam da alat koristite sigurnije i efikasnije.

SIMBOLI	NAZIV	OBJAŠNENJE
	CE oznaka	Proizvod odgovara zahtevima i propisima Evropske zajednice (sada Evropska unija).
	Konstrukcija klase II	Dvostruko izolovana konstrukcija.
	WEEE OZNAKA	PAŽNJA: Neupotrebljivi električni alati ne spadaju u otpad domaćinstva. Oni moraju da budu odneti u komunalni sabirni centar za odlaganje u skladu sa lokalnim propisima o zaštiti životne sredine.
	Pročitajte uputstvo za korišćenje	Pre upotrebe korisnik mora da pročita i razume uputstvo za korišćenje kako bi smanjio rizik od telesnih povreda.
	Električni udar!	Isključite utikač za struju ako je kabl oštećen ili zapetljan.
	Nemojte izlagati kiši	Nemojte da ostavljate alat izložen na otvorenom prostoru ili kiši.
	Nosite zaštitu za oči	Nosite zaštitu za oči kako biste smanjili rizik po oči!
	Oznaka nivoa buke	Buka koju proizvodi alat ne premašuje 96 dB.
	UDALJITE SVE DRUGE OSOBE IZ PODRUČJA KOJE KOSITE!	UDALJITE SVE DRUGE OSOBE IZ PODRUČJA KOJE KOSITE!

1. VAŽNO BEZBEDOSNO UPUTSTVO

Cilj pravila bezbednosti je da vam skrene pažnju na moguće opasnosti. Bezbednosni simboli i njihova objašnjenjima zahtevaju vašu punu pažnju i razumevanje. Sama bezbednosna upozorenje ne uklanjaju opasnost. Čak i kada poštujuete bezbednosna uputstva i upozorenja uvek koristite odgovarajuću zaštitnu oprema, kao što je štitnik.



BEZBEDOSNI SIMBOL ZA OPREZ:

Ukazuje na oprez ili upozorenje i može da se koristi zajedno sa drugim simbolima ili slikama.



UPOZORENJE: Upoznajte se sa kontrolama i pravilnom upotrebom opreme.



UPOZORENJE: Nepridržavanjem bezbednosnog upozorenja možete sebi ili drugima da nanese ozbiljne povrede. Uvek se pridržavajte bezbednosnih mera predostrožnosti kako biste umanjili rizik od požara, strujnog udara i povreda. Sačuvajte korisnički priručnik i često ga konsultujte kako biste nastavili sa bezbednim radom, odnosno kako biste drugima koji koriste ovaj alat dali uputstva.



UPOZORENJE: Nikada nemojte da koristite vašu trimmer-kosilicu bez pravilno postavljenog štitnika. Ako se

ne pridržavate ovog bezbednosnog upozorenja možete sebi ili drugima da nanese ozbiljne povrede.



UPOZORENJE: Ova mašina stvara elektromagnetno polje tokom rada. U nekim okolnostima ovo polje može da ometa rad aktivnih ili pasivnih medicinskih implanta. Da bi se smanjio rizik od ozbiljne ili fatalne povrede, preporučujemo da osobe sa medicinskim implantima konsultuju lekara i proizvođača medicinskog implanta pre rada na mašini.



UPOZORENJE: Rukovanje bilo kojim alatom može da dovede do ozbiljne povrede oka stranim predmetima i gubitka vida. Pre nego što počnete da radite električnim alatom uvek stavite zaštitnu masku ili zaštitne naočare sa bočnim štيتnicima, a po potrebi i štيتnik za celo lice. Preporučuje se upotreba zaštitne maske sa širokim viziorom ako nosite naočare, odnosno upotreba standardnih zaštitnih naočara sa bočnim štيتnicima.

1. Ovaj uređaj ne treba da koriste osobe (što podrazumeva i decu) sa smanjenim fizičkim, čulnim ili psihičkim sposobnostima ili osobe bez iskustva i znanja, osim ako ih ne nadgleda ili u radu uređajem ne upućuje osoba koja je odgovorna za njihovu bezbednost.
2. Ne ostavljajte decu bez nadzora kako biste se bili sigurni da se neće igrati uređajem.
3. Pažljivo pročitajte uputstva.
4. Upoznajte se sa kontrolama i pravilnom upotrebom opreme.
5. Pre upotrebe proverite da li na napajanju i produžnom kablju postoje znakovi oštećenja ili starenja.
6. Ako se kabl ošteti tokom upotrebe, odmah ga isključite iz napajanja električnom energijom. **NE DODIRUJTE KABL PRE NEGO ŠTO GA ISKLJUČITE IZ NAPAJANJA ELEKTRIČNOM ENERGIJOM.**
7. Nemojte da koristite trimer-kosilicu (ugaoni trimer) ako je kabl oštećen ili pohaban.
8. Upozorenje: Nakon isključivanja motora delovi za sečenje nastavljaju da se obrću.
9. Udaljite produžni kabl od delova za sečenje.
10. Nosite zaštitne naočare ili masku.

11. Nikada nemojte da dozvolite deci niti ljudima koji nisu upoznati sa ovim uputstvima da koriste mašinu.
12. Prestanite da koristite mašinu kada se u blizini nalaze ljudi, a posebno deca, ili kućni ljubimci.
13. Mašinu koristite isključivo pri dnevnom svetlu ili pri dobrom veštačkom osvetljenju.
14. Pre upotrebe mašine i nakon bilo kog udara proverite da li postoje znakovi habanja ili oštećenja i izvršite popravku ako je neophodno.
15. Nikada nemojte da koristite mašinu sa oštećenim štيتnicima ili bez postavljenih štيتnika.
16. Uvek držite ruke i stopala daleko od delova za sečenje, a naročito kada pokrećete motor.
17. Čuvajte se povreda izazvanih uređajima za sečenje monožilne niti na predviđenu dužinu. Nakon izvlačenja nove niti za sečenje, a pre uključivanja, mašinu uvek vratite u normalan radni položaj.
18. Nikada nemojte da podešavate metalne delove za sečenje.
19. Nikada nemojte da koristite rezervne delove ili prateću opremu koju nije isporučio ili preporučio proizvođač.
20. Isključite mašinu iz napajanja električnom energijom pre provere, čišćenja ili rada na mašini, kao i kada nije u upotrebi.
21. Uvek proverite da se u otvorima za ventilaciju nisu zadržali ostaci trave.
22. Kada se kao oznake na mašini koriste piktogrami simbola, njihove funkcije treba da budu objašnjene.
23. Uvek isključite trimer iz napajanja električnom energijom ako ćete ga ostaviti bez nadzora.
24. Kada nije u upotrebi, mašinu uskladištite van domašaja dece.
25. Trimer-kosilice na električni pogon treba da popravlja samo ovlašćeni servisni centar.
26. U vezi sa popravkom ili podešavanjem, koje nije opisano u ovom uputstvu, obratite se ovlašćenom servisnom centru.
27. Koristite isključivo rezervne delove i prateću opremu preporučenu od strane proizvođača.



Kao posledica politike stalnog unapređenja proizvoda kompanije Makita karakteristike i specifikacije proizvoda mogu da budu izmenjene bez prethodne najave.

2. OPŠTI PREGLED (Slika 1)

- | | |
|-------------------------------|--------------------|
| 1. Dugme sigurnosne kočnice | 6. Okidni prekidač |
| 2. Dodatna ručica | 7. Cev |
| 3. Glava zavrtnja za stezanje | 8. Kućište motora |
| 4. Dugme za podešavanje | 9. Štitnik |
| 5. Glavna ručica | |

Prateća oprema:

- Remen
- Zaštitne naočare

3. SPECIFIKACIJE

Model	UR3000
Nominalni napon:	230 - 240 V~
Nominalna frekvencija:	50 - 60 Hz
Nominalna snaga:	450 W
Brzina bez opterećenja:	9.000 min ⁻¹
Širina reza:	300 mm
Dimenzije niti:	Φ1,65 mm
Nivo zvučnog pritiska u položaju operatera:	75,1 dB (A) K=3 dB (A)
Garantovani nivo jačine zvuka:	96 dB (A)
Vibriranje:	2,73 m/s ² K=1,5 m/s ²
Veličina (D/Š/V):	1.016 - 1.256 / 301 / 262 mm
Neto teina:	2,6 kg

4. UPUTSTVO ZA SKLAPANJE

Neki delovi trimera-kosilice nisu sklopjeni pre isporuke. Da biste ih sklopili postupite na sledeći način:

4-1 Sklapanje štitnika

Pričvršćivanje štitnika na kućište motora. (Slika 2 i 3)

1. Postavite štitnik na kućište motora.
2. Obrnite štitnik u pravilan položaj.
3. Pričvrstite zavrtnjem štitnik na kućište motora.



UPOZORENJE: Čuvajte se povreda izazvanih oštrom postavljenoj na štitnik, koja služi za odsecanje monožilne niti na predviđenu dužinu. Nakon izvlačenja nove niti za sečenje, a pre uključivanja, mašinu uvek vratite u normalan radni položaj.



UPOZORENJE: Nikada nemojte da podešavate metalne delove za sečenje.



UPOZORENJE: Nikada nemojte da koristite trimera-kosilicu bez pravilno postavljenog štitnika. Ako se ne pridržavate ovog bezbednosnog upozorenja možete sebi ili drugima da nanese ozbiljne povrede.

4-2 Sklapanje dodatne ručice

1. Postavite dodatnu ručicu u držač. (Slika 4)
2. Ubacite zavrtnj kroz otvore na držaču i dodatnoj ručici i zavrnite glavu za stezanje na zavrtnj, ali ne potpuno. (Slika 5)
3. Postavite glavu mašine na tlo, a zatim pomoću druge ručice podesite dodatnu ručicu u za vas udoban položaj: (Slika 6)
 - 3a. Pritisnite dugme za podešavanje i prema želji podesite dužinu cevi.
 - 3b. Obrnite dodatnu ručicu do ugla koji vam omogućava udoban rad.
4. Zavrnite glavu za stezanje da biste učvrstili dodatnu ručicu.

5. POKRETANJE

Pre nego što pokrenete trimera-kosilicu pričvrstite produžni kabl koristeći otvor na glavnoj ručici. (Slika 7 i 8)

Čvrsto držite trimera-kosilicu i nemojte da dozvolite da ona dodiruje travu, koju treba kositi, potisnite dugme sigurnosne kočnice, a zatim pritisnite okidni prekidač na gore i držite ga.

Da biste isključili trimera-kosilicu otpustite okidni prekidač. (Slika 9)



UPOZORENJE: Isključite motor samo kada su ruke i stopala dovoljno daleko od sredstava za sečenje.

6. PRIMENA TRIMER-KOSILICE KAO OVIČAVAC

Za ovičavanje kolovoza i staza prebacite trimera-kosilicu iz režima trimera-kosilice u režim za ovičavanje na sledeći način:

1. Jednom rukom držite cev trimera-kosilice, a drugom rukom pritisnite dugme za obrtanje. (Slika 10)
2. Obrnite cev za 180° sve dok se ne zavravi u režimu za ovičavanje. (Slika 11)



UPOZORENJE: Da biste sprečili slučajno pokretanje, koje može da izazove ozbiljne telesne povrede, uvek isključite kabl za napajanje električnom energijom pre nego što započnete obrtanje osovine.

7. ZAMENA PATRONE SA NITI ZA SEČENJE

Vaša trimera-kosilica isporučuje se sa jednomratnom patronom niti za sečenje, koja vas rešava problematičnog premotavanja niti za sečenje.

Da biste zamenili praznu patronu niti za sečenje postupite na sledeći način:


1. Pritisnite obe zaporse na držaču kalem i povucite ga uvis izvan čašice (Slika 12), a zatim izvadite prazan kalem. (Slika 13)

- Izvadite oprugu i poklopac iz praznog kalema i ubacite ih u novi kalem, a zatim provucite dve niti za sečenje kroz okca na poklopcu. **(Slika 14)**
- Ubacite novi kalem u držač kalema, a zatim pritisnite poklopac nadole sve dok se ne zavravi pomoću zaporki. **(Slika 15)**

8. DOPUNJAVANJE NITI ZA SEČENJE

Da biste dopunili nit za sečenje:

- Isključite mašinu iz napajanja električnom energijom.
- Uklonite prazan kalem. **(Slika 12 i 13)**
- Odsecite deo nove niti za sečenje, čija je dužina manja od 8 m, i savite ga na polovini.
- Sredinu nove niti za sečenje postavite u žleb, koji se nalazi u sredini kalema između 2 kanala namenjenih za nit za sečenje. Strelica na kalemu pokazuje smer namotavanja niti za sečenje. **(Slika 16)**
- Namotajte nit za sečenje oko dela A **(10)** tako da bude uredno složena. Vodite računa da nit namotavate čvrsto i ravnomerno tako da površina niti za sečenje ne bude neravna. **(Slika 17)**
- Namotajte dalje nit za sečenje, ali poslednjih približno 100 mm privremeno provucite kroz držač niti **(12)**, koji se nalazi sa strane kalema. **(Slika 18)**
- Na isti način namotajte i nit za sečenje u delu B **(11)**, a kraj ostavite privremeno provučen kroz držač niti. **(Slika 17 i 19)**
- Postavite kalem na poklopac tako da se položaji u kojima je nit **(13)** privremeno pričvršćena podudaraju sa žljebovima **(14)** na stranama poklopca **(15)**. **(Slika 20)**
- Oslobodite krajeve niti za sečenje iz položaja za privremeno pričvršćivanje i postavite ih u žljebove na stranama poklopca. **(Slika 21)**

 **UPOZORENJE:** Proverite da li je poklopac ispravno pričvršćen za držač poklopca. Ako poklopac nije ispravno pričvršćen može da dođe do izletanja komponenti, što može da izazove ozbiljne telesne povrede.

- Proverite da li je opruga ispravno postavljena. Potisnite poklopac **(15)** u držač kalema **(16)**. Proverite da li su zaporce potpuno zahvatile poklopac. **(Slika 14, 15 i 22)**
- Pritisnite dugme kalema **(18)** i povucite jedan kraj niti za sečenje. Proverite da li se nit izvlači. **(Slika 22 i 23)**
- Konačno, povucite drugi kraj niti bez pritiskanja dugmeta kalema. Proverite da li se nit izvlači.

9. IZVLAČENJE NITI ZA SEČENJE

Kratke ili pohabane niti imaju smanjeni učinak pri sečenju. Da biste poboljšali njihov rad u prethodno opisanim okolnostima blago dugmetom kalema dodirnite tlo dok trimer-kosilica radi punom brzinom. Ovo će obezbediti automatsko izvlačenje niti za sečenje. Oštrica za odsecanje niti **(17)** za sečenje, koja se nalazi ispod štitnika, automatski će tokom rada skratiti nit za sečenje na tačnu dužinu. **(Slike 22 i 24)**



NAPOMENA: Udarci u čvrste ili abrazivne objekte, kao što su ograde, beton ili kamenje, skriveni visokom travom, mogu da izazovu pucanje niti za sečenje. Ako nit za sečenje pukne, postupite u skladu sa procedurom za izvlačenje niti.

10. UPUTSTVO ZA UPOTREBU

Pokrenite trimer-kosilicu pre nego što priđete travi koju želite da kosite.

Kosite travu pomerajući trimer-kosilicu zdesna nalevo i prelazite polako držeći trimer-kosilicu pod uglom od približno 30°. Visoku travu treba da sečeete u slojevima uvek polazeći od vrha. Otkosi treba da budu kratki.

Nemojte da kosite mokru ili vlažnu travu.

Potrudite da nit ne pohabate brzo udarajući u čvrste objekte (kamen, zidovi, ograde itd.). Koristite ivicu štitnika kako biste trimer-kosilicu držali na pravilnom rastojanju.



UPOZORENJE: Nemojte prejako da pritisnete ili udarate odbojnu glavu trimer-kosilice o tlo da biste omogućili izvlačenje niti za košenje. Ako nit za sečenje ne bude izvučen nakon dodira odbojne glave trimer-kosilice sa tlom, a tokom rada trimer-kosilice, onda je nit za sečenje u patroni zapletena ili je pukla ili je više nema. **NAPOMENA:** Prejak pritisak ili udar odbojne glavu trimer-kosilice o tlo sa ciljem da se omogući izvlačenje niti za košenje može da ošteti odbojnu glavu.



UPOZORENJE: Glava za sečenje nastavlja da se obrće još nekoliko sekundi nakon isključivanja motora.

11. PRODUŽNI KABLOVI

Trebalo bi da koristite samo produžne kablove za upotrebu na otvorenom prostoru, za opšte namene sa PVC izolacijom ili one sa fleksibilnim, izdržljivim omočačem, sa površinom poprečnog preseka ne manjom od 0,75 mm².

Pre upotrebe proverite da li na napajanju i produžnim kablovima postoje znakovi oštećenja ili habanja, te ih u tom slučaju isključite. Ako se kabl ošteti tokom upotrebe, odmah ga isključite iz napajanja električnom energijom. **NE DODIRUJTE KABL PRE NEGO ŠTO GA ISKLJUČITE IZ NAPAJANJA ELEKTRIČNOM ENERGIJOM.** Nemojte da koristite uređaj ako je kabl oštećen ili pohaban. Udaljite produžni kabl od elemenata za sečenje.



UPOZORENJE: Uvek proverite da se u otvorima za ventilaciju nisu zadržali ostaci trave.

12. ODRŽAVANJE

- Nakon upotrebe isključite mašinu iz napajanja električnom energijom i proverite da li postoje oštećenja.
- Kada nije u upotrebi, mašinu uskladištite van domašaja dece.
- Trimer-kosilice na električni pogon treba da popravlja samo ovlašćeni servisni centar.

4. U vezi sa popravkom ili podešavanjem, koje nije opisano u ovom uputstvu, obratite se ovlašćenom servisnom centru.
5. Koristite isključivo rezervne delove i prateću opremu preporučenu od strane proizvođača.

13. ODLAGANJE PRILAGOĐENO ZAŠTITI ŽIVOTNE SREDINE



Na osnovu direktive Evropske Unije 2002/96/EC o otpadu električnih i elektronskih uređaja i njene primene u državnom zakonu, svi električni aparati moraju da se odvojeno sakupljaju i recikliraju na način prilagođen zaštiti životne sredine. Alternativno odlaganje:

Ako vlasnik električnog alata ne vrati alat proizvođaču, on je odgovoran za ispravno odlaganje na za to određenom mestu na kome se uređaj priprema za recikliranje u skladu sa državnim zakonima i propisima o recikliranju. Ovim nisu obuhvaćeni prateći uređaji i alati bez električnih ili elektronskih komponenti.

EC Deklaracija o usklađenosti

Korporacija Makita, kao odgovorni proizvođač, izjavljuje da sledeće Makita mašina(e):

Namena mašine: Trimer-kosilica

Model br./tip: UR3000

Specifikacije: pogledajte tabelu „SPECIFIKACIJE“.

su iz serijske proizvodnje i

usklađene su sa sledećim evropskim direktivama:

2000/14/EC, 2004/108/EC, 2006/42/EC, 2006/95/EC

Takođe su proizvedeni u skladu sa sledećim standardima ili standardizovanim dokumentima:

EN55014, EN60335, EN61000, EN62233

Tehničku dokumentaciju održava naš zvanični

predstavnik u Evropi, a to je:

Makita International Europe Ltd.

Michigan, Drive, Tongwell,

Milton Keynes, MK15 8JD, Engleska

Procedura procene usklađenosti koju zahteva Odredba

2000/14/EC bila je u skladu sa aneksom VIII.

Ovlašćeno telo:

TÜV SÜD Industrie Service GmbH

Westendstraße 199, D-80686 München

Identifikacioni broj: 0036

Izmereni nivo jačine zvuka: 92,7 dB (A)

Garantovani nivo jačine zvuka: 96 dB (A)

17. 12. 2010.

Tomoyasu Kato

Direktor

Makita Corporation

3-11-8, Sumiyoshi-cho,

Anjo, Aichi, JAPAN

Makita Corporation
Anjo, Aichi, Japan

www.makita.com

UR3000-24L-0511

ALA