



**Original Instruction Manual**  
**Originalbruksanvisning**  
**Original bruksanvisning**  
**Alkuperäinen käyttöohje**  
**Orīginālā instrukciju rokasgrāmata**  
**Originali naudojimo instrukcija**  
**Algne kasutusjuhend**  
**Оригинальное руководство по эксплуатации**

**Important:**

Read this instruction manual carefully before putting the Petrol Brushcutter into operation and strictly observe the safety regulations! Preserve instruction manual carefully!

**Viktigt:**

Läs igenom bruksanvisningen noga innan du använder den bensindrivna röjsågen och följ säkerhetsanvisningarna noggrant! Förvara bruksanvisningen för framtida bruk!

**Viktig:**

Les denne bruksanvisningen nøye før du tar den bensindrevne skogsrydderen i bruk. Følg sikkerhetsanvisningene nøye! Ta godt vare på bruksanvisningen!

**Tärkeää:**

Lue tämä käyttöohje huolellisesti, ennen kuin otat bensiinikäyttöisen pensasleikkurin käyttöön, ja noudata tarkoin turvamääräyksiä. Säilytä käyttöohje huolellisesti.

**Svarīgi:**

Pirms benzīna krūmgrieža ekspluatācijas rūpīgi izlasiet šo lietošanas rokasgrāmatu un pilnībā ievērojiet drošības noteikumus! Lietošanas rokasgrāmatu rūpīgi glabājiet!

**Svarbu:**

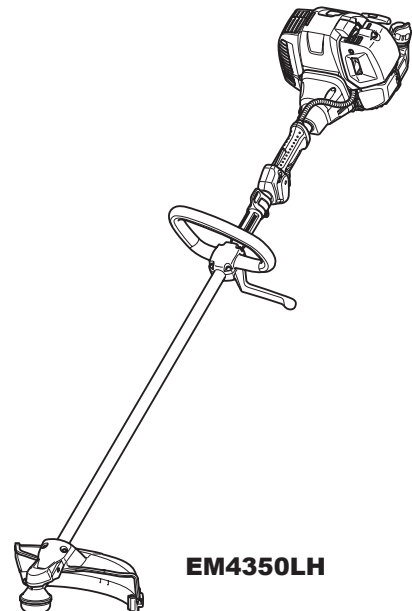
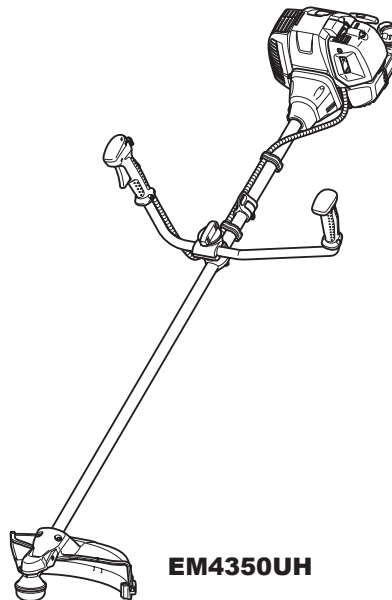
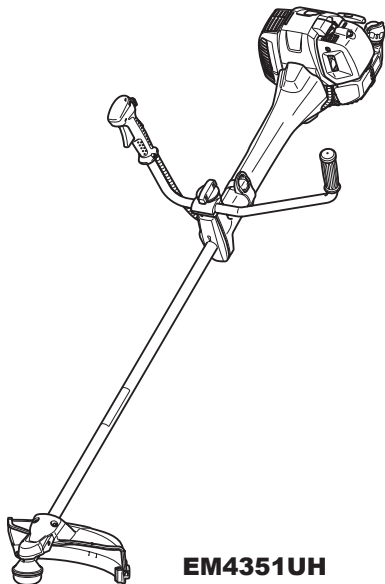
Prieš pradėdami naudoti benzinių krūmapjovę, atidžiai perskaitykite visą naudojimo instrukciją ir griežtai laikykitės saugos taisyklių! Išsaugokite naudojimo instrukciją, kad galėtumėte ja pasinaudoti ateityje!

**Tähtis:**

Enne bensiinimootoriga võsalõikuri kasutamist lugege hoolikalt käesolevat kasutusjuhendit ja järgige täpselt kõiki ohutuseeskirju! Hoidke kasutusjuhend alles!

**Важно:**

Внимательно ознакомьтесь с данным руководством, прежде чем приступать к эксплуатации бензокосы, и строго соблюдайте правила техники безопасности! Бережно храните данное руководство!



Thank you very much for purchasing the MAKITA Outdoor Power Equipment. We are pleased to recommend to you the MAKITA product which is the result of a long development program and many years of knowledge and experience. Please read this booklet which refers in detail to the various points that will demonstrate its outstanding performance. This will assist you to obtain the best possible result from your MAKITA product.



Table of Contents	Page
Symbols.....	2
Safety instructions.....	3
Technical data.....	7
Designation of parts.....	8
Mounting of handle.....	9
Mounting of protector.....	10
Mounting of metal blade or nylon cutting head.....	12
Before start of operation.....	13
Correct handling of machine.....	15
Points in operation and how to stop.....	17
Resharpener the cutting tool.....	20
Servicing instructions.....	23
Storage.....	26

## SYMBOLS

You will note the following symbols when reading the instructions manual.

	Read instruction manual and follow the warnings and safety precautions!		Keep the area of operation clear of all persons and pets!
	Take Particular care and attention!		Wear protective helmet, eye and ear protection!
	Forbidden!		Top permissible tool speed
	Keep distance!		Fuel (Gasoline)
	Flying object hazard!		Engine-manual start
	Kickback!		Emergency stop
	No smoking!		First Aid
	No open flame!		ON/START
	Protective gloves must be worn!		OFF/STOP
	Wear sturdy boots with nonslip soles. Steeltoed safety boots are recommended!		THROTTLE LOCK POSITION

# SAFETY INSTRUCTIONS

## General Instructions

- Read this instruction manual to become familiar with handling of the equipment. Users insufficiently informed will risk danger to themselves as well as others due to improper handling.
- It is recommended only to lend the equipment to people who have proven to be experienced. Always hand over the instruction manual.
- First users should ask the dealer for basic instructions to familiarize oneself with the handling of brushcutters.
- Children and young persons aged under 18 years must not be allowed to operate this equipment. Persons over the age of 16 years may however use the device for the purpose of being trained while under supervision of a qualified trainer.
- Use with the utmost care and attention.
- Operate only if you are in good physical condition. Perform all work calmly and carefully. The user has to accept liability for others.
- Never use this equipment after consumption of alcohol or drugs, or if feeling tired or ill.
- National regulation can restrict the use of the machine.

## Intended use of the machine

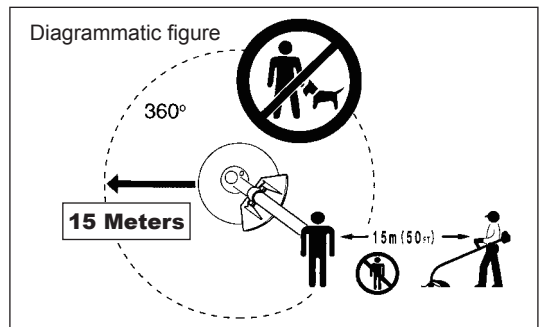
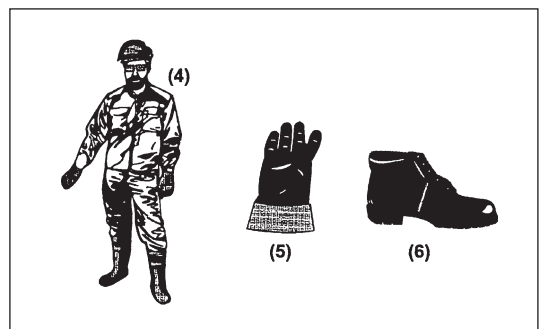
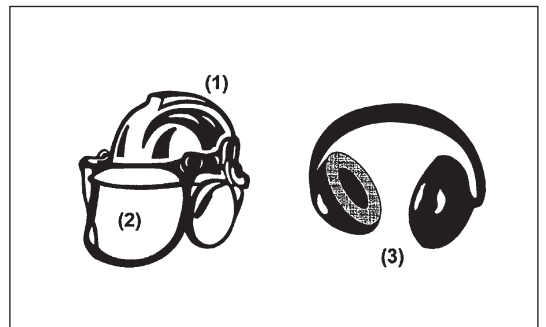
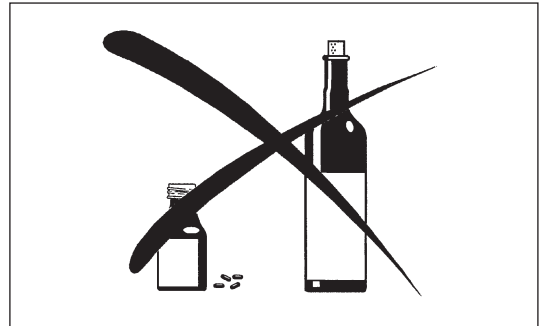
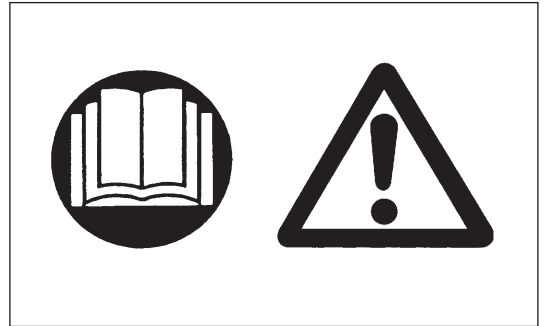
- This equipment is only intended for cutting grass, weeds, bushes, undergrowth. It should not be used for any other purpose such as edging or hedge cutting as this may cause injury.

## Personal protective equipment

- The clothing worn should be functional and appropriate, i.e. it should be tight-fitting but not cause hindrance. Do not wear either jewelry or clothing which could become entangled with bushes or shrubs.
- In order to avoid either head-, eye-, hand- or foot injuries as well as to protect your hearing the following protective equipment and protective clothing must be used during operation.
- Always wear a helmet where there is a risk of falling objects. The protective helmet (1) is to be checked at regular intervals for damage and is to be replaced at the latest after 5 years. Use only approved protective helmets.
- The visor (2) of the helmet (or alternatively goggles) protects the face from flying debris and stones. During operation always wear goggles, or a visor to prevent eye injuries.
- Wear adequate noise protection equipment to avoid hearing impairment (ear muffs (3), ear plugs etc.).
- The work overalls (4) protect against flying stones and debris. We strongly recommend that the user wears work overalls.
- Gloves (5) are part of the prescribed equipment and must always be worn during operation.
- When using the equipment, always wear sturdy shoes (6) with a non-slip sole. This protects against injuries and ensures a good footing.

## Starting up the brushcutter

- Please make sure that there are no children or other people within a working range of 15 meters (50 ft), also pay attention to any animals in the working vicinity.
- Before use always check the equipment is safe for operation: Check the security of the cutting tool, the throttle lever for easy action and check for proper functioning of the throttle lever lock.
- Rotation of the cutting tool during idling speed is not allowed. Check with your dealer for adjustment if in doubt. Check for clean and dry handles and test the function of the start/stop switch.

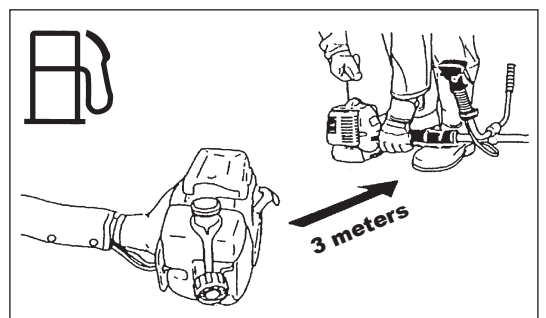
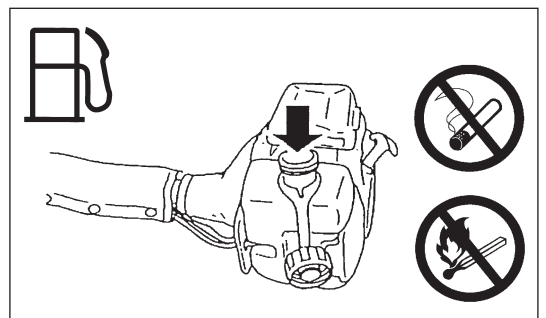
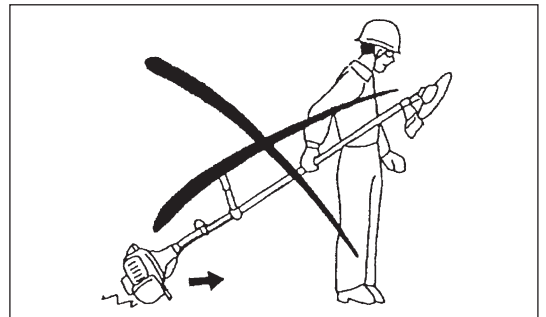
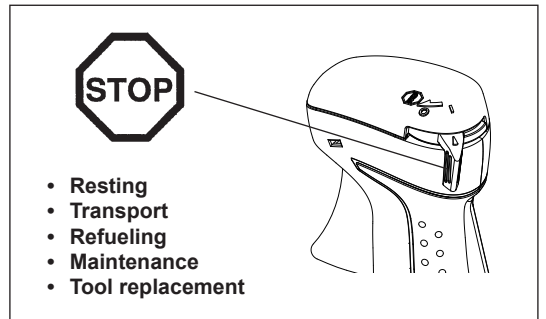
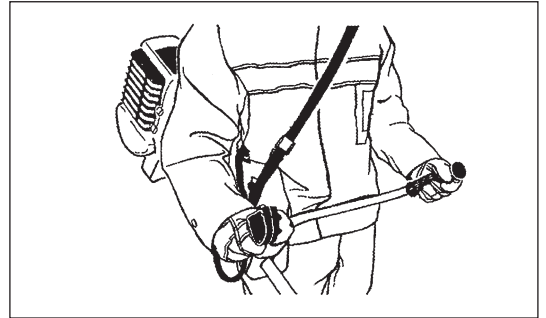
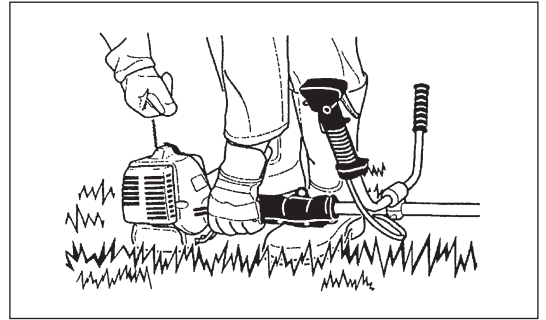


Start the brushcutter only in accordance with the instructions.

- Do not use any other methods for starting the engine!
- Use the brushcutter and the tools only for such applications as specified.
- Only start the engine, after the entire assembly is done. Operation of the device is only permitted after all the appropriate accessories are attached!
- Before starting make sure that the cutting tool has no contact with hard objects such as branches, stones etc. as the cutting tool will revolve when starting.
- The engine is to be switched off immediately in case of any engine problems.
- Should the cutting tool hit stones or other hard objects, immediately switch off the engine and inspect the cutting tool.
- Inspect the cutting tool at short regular intervals for damage (detection of hairline cracks by means of tapping-noise test).
- If the equipment gets heavy impact or fall, check the condition before continuing work. Check the fuel system for fuel leakage and the controls and safety devices for malfunction. If there is any damage or doubt, ask our authorized service center for the inspection and repair.
- Operate the equipment only with the shoulder harness attached which is to be suitably adjusted before putting the brushcutter into operation. It is essential to adjust the shoulder harness according to the user size to prevent fatigue occurring during use. Never hold the cutter with one hand during use.
- During operation always hold the brushcutter with both hands. Always ensure a safe footing.
- Operate the equipment in such a manner as to avoid inhalation of the exhaust gases. Never run the engine in enclosed rooms (risk of gas poisoning). Carbon monoxide is an odorless gas.
- Switch off the engine when resting and when leaving the equipment unattended, and place it in a safe location to prevent danger to others or damage to the machine.
- Never put the hot brushcutter onto dry grass or onto any combustible materials.
- Always install the approved cutting tool guard onto the equipment before starting the engine. Otherwise contact with the cutting tool may cause serious injury.
- All protective installations and guards supplied with the machine must be used during operation.
- Never operate the engine with faulty exhaust muffler.
- Shut off the engine during transport.
- When transporting the equipment, always attach the cover to the metal blade.
- Ensure safe position of the equipment during car transportation to avoid fuel leakage.
- When transporting, ensure that the fuel tank is completely empty.
- When unloading the equipment from the truck, never drop the Engine to the ground or this may severely damage the fuel tank.
- Except in case of emergency, never drop or cast the equipment to the ground or this may severely damage the equipment.
- Remember to lift the entire equipment from the ground when moving the equipment. Dragging the fuel tank is highly dangerous and will cause damage and leakage of fuel, possibly causing fire.

## Refueling

- Shut off the engine during refueling, keep away from open flames and do not smoke.
- Avoid skin contact with mineral oil products. Do not inhale fuel vapor. Always wear protective gloves during refueling. Change and clean protective clothing at regular intervals.
- Take care not to spill either fuel or oil in order to prevent soil contamination (environmental protection). Clean the brushcutter immediately after fuel has been spilled.
- Avoid any fuel contact with your clothing. Change your clothing instantly if fuel has been spilled on it (to prevent clothing catching fire).
- Inspect the fuel cap at regular intervals making sure that it can be securely fastened and does not leak.
- Carefully tighten the fuel tank cap. Change location to start the engine (at least 3 meters away from the place of refueling).
- Never refuel in closed rooms. Fuel vapors accumulate at ground level (risk of explosions).
- Only transport and store fuel in approved containers. Make sure the fuel stored is not accessible to children.



## Method of operation

- Only use in good light and visibility. During the winter season beware of slippery or wet areas, ice and snow (risk of slipping). Always ensure a safe footing.
- Never cut above waist height.
- Never stand on a ladder.
- Never climb up into trees to perform cutting operation.
- Never work on unstable surfaces.
- Remove sand, stones, nails etc. found within the working range. Foreign particles may damage the cutting tool and can cause dangerous kick-backs.
- Before commencing cutting, the cutting tool must have reached full working speed.
- When using metal blades, swing the tool evenly in half-circle from right to left, like using a scythe.  
If grass or branches get caught between the cutting tool and guard, always stop the engine before cleaning. Otherwise unintentional blade rotation may cause serious injury.
- Take a rest to prevent loss of control caused by fatigue. We recommend to take a 10 to 20-minute rest every hour.

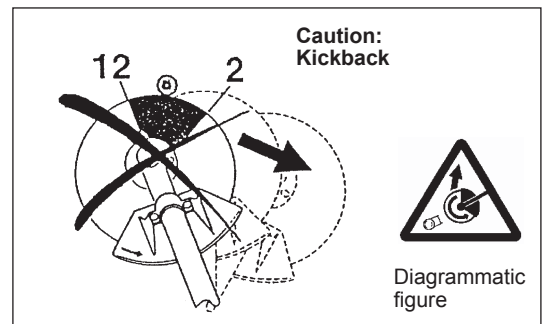


## Cutting Tools

- Use an applicable cutting tool for the job in hand.  
Nylon cutting heads (string trimmer heads) are suitable for trimming lawn grass.  
Metal blades are suitable for cutting weeds, high grasses, bushes, shrubs, underwood, thicket, and the like.  
Never use other blades including metal multi-piece pivoting chains and flail blades. Otherwise serious injury may result.
- When using metal blades, avoid “kickback” and always prepare for an accidental kickback. See the section “Kickback” and “Kickback prevention.”

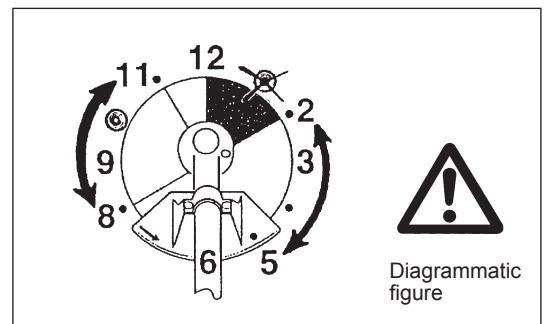
## Kickback (blade thrust)

- Kickback (blade thrust) is a sudden reaction to a caught or bound metal blade. Once it occurs, the equipment is thrown sideways or toward the operator at great force and it may cause serious injury.
- Kickback occurs particularly when applying the blade segment between 12 and 2 o'clock to solids, bushes and trees with 3 cm or larger diameter.
- To avoid kickback:
  - Apply the segment between 8 and 11 o'clock;
  - Never apply the segment between 12 and 2 o'clock;
  - Never apply the segment between 11 and 12 o'clock and between 2 and 5 o'clock, unless the operator is well trained and experienced and does it at his/her own risk;
  - Never use metal blades close to solids, such as fences, walls, tree trunks and stones;
  - Never use metal blades vertically, for such operations as edging and trimming hedges.



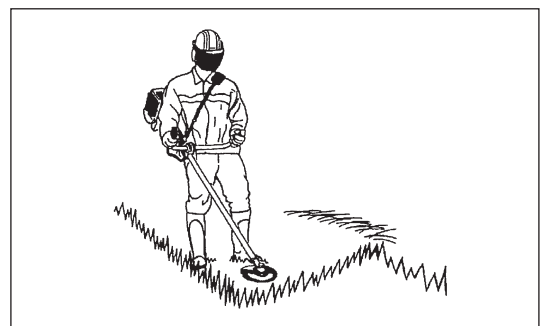
## Vibration

- People with poor circulation who are exposed to excessive vibration may experience injury to blood vessels or the nervous system. Vibration may cause the following symptoms to occur in the fingers, hands or wrists: “Falling asleep” (numbness), tingling, pain, stabbing sensation, alteration of skin color or of the skin. If any of these symptoms occur, see a physician!
- To reduce the risk of “white finger disease”, keep your hands warm during operation and well maintain the equipment and accessories.



## Maintenance instructions

- Have your equipment serviced by our authorized service center, always using only genuine replacement parts. Incorrect repair and poor maintenance can shorten the life of the equipment and increase the risk of accidents.
- The condition of the cutter, in particular of the cutting tool of the protective devices and also of the shoulder harness must be checked before commencing work. Particular attention is to be paid to the metal blades which must be correctly sharpened.
- Turn off the engine and remove spark plug connector when replacing or sharpening cutting tools, and also when cleaning the cutter or cutting tool.



## Never straighten or weld damaged cutting tools.

- Pay attention to the environment. Avoid unnecessary throttle operation for less pollution and noise emissions. Adjust the carburetor correctly.
- Clean the equipment at regular intervals and check that all screws and nuts are well tightened.
- Never service or store the equipment in the vicinity of naked flames.
- Always store the equipment in locked rooms and with an emptied fuel tank.
- When cleaning, servicing and storing the equipment, always attach the cover to the metal blade.



Observe the relevant accident prevention instructions issued by the relevant trade associations and by the insurance companies.  
Do not perform any modifications to the equipment as this will endanger your safety.

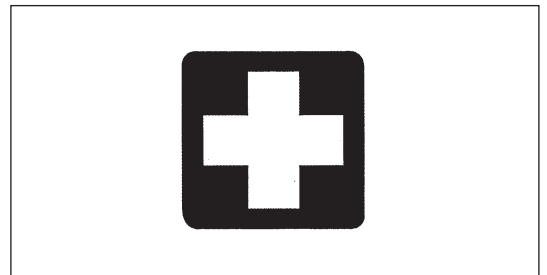
The performance of maintenance or repair work by the user is limited to those activities as described in the instruction manual. All other work is to be done by an Authorized Service Agent. Use only genuine spare parts and accessories released and supplied by MAKITA.  
Use of non-approved accessories and tools means increased risk of accidents.  
MAKITA will not accept any liability for accidents or damage caused by the use of non-approved cutting tools and fixing devices of cutting tools, or accessories.

## First Aid

In case of accident make sure that a first-aid box is available in the vicinity of the cutting operations. Immediately replace any item taken from the first aid box.

## When asking for help, please give the following information:

- Place of accident
- What happened
- Number of injured persons
- Kind of injuries
- Your name



---

For European countries only

## EC Declaration of Conformity

**We Makita Corporation as the responsible manufacturer declare that the following Makita machine(s):**

Designation of Machine: Petrol Brushcutter  
Model No./ Type: EM4351UH, EM4350UH, EM4350LH  
Specifications: see "TECHNICAL DATA" table

are of series production and

**Conforms to the following European Directives:**

2000/14/EC, 2006/42/EC

And are manufactured in accordance with the following standards or standardized documents:

EN ISO 11806-1

The technical documentation is kept by our authorized representative in Europe who is:

Makita International Europe Ltd.,  
Michigan Drive, Tongwell, Milton Keynes, Bucks MK15 8JD, England

The conformity assessment procedure required by Directive 2000/14/EC was in Accordance with annex V.

EM4351UH:

Measured Sound Power Level: 114.3 dB

Guaranteed Sound Power Level: 116 dB

EM4350UH:

Measured Sound Power Level: 113.8 dB

Guaranteed Sound Power Level: 115 dB

EM4350LH:

Measured Sound Power Level: 110.7 dB

Guaranteed Sound Power Level: 112 dB

8. 9. 2011

A handwritten signature in black ink, appearing to read 'Tomoyasu Kato'.

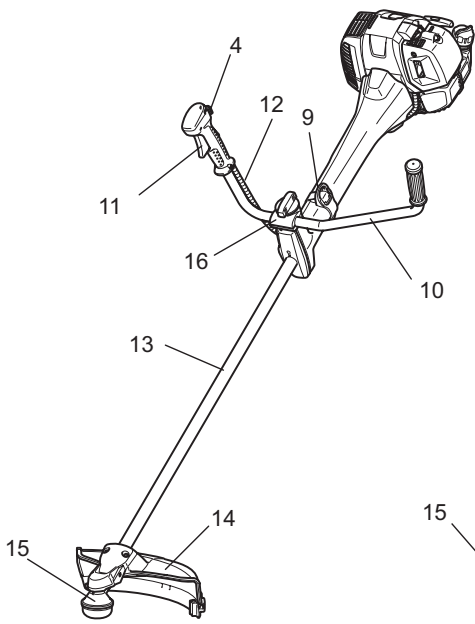
Tomoyasu Kato  
Director  
Makita Corporation  
3-11-8, Sumiyoshi-cho,  
Anjo, Aichi, JAPAN

## TECHNICAL DATA EM4351UH, EM4350UH, EM4350LH

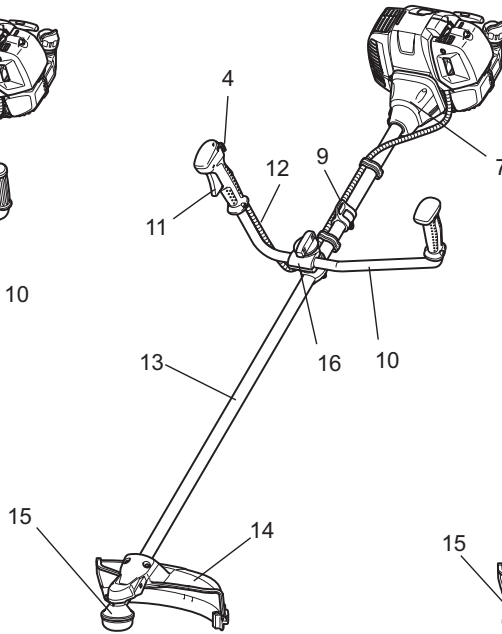
Model			EM4351UH	EM4350UH	EM4350LH				
Handle type			Bike handle	Bike handle	Loop handle				
Dimensions: length x width x height (without cutting tool)		mm	1,812 x 618 x 528	1,812 x 635 x 460	1,812 x 339 x 250				
Mass (without plastic guard and cutting tool)		kg	8.6	8.3	7.9				
Volume (fuel tank)		L	0.6						
Volume (oil tank)		L	0.1						
Engine displacement		cm <sup>3</sup>	43.0						
Maximum engine performance		kW	1.5 at 7,500 min <sup>-1</sup>						
Engine speed at recommended max. spindle speed		min <sup>-1</sup>	10,500						
Maximum spindle speed (corresponding)		min <sup>-1</sup>	7,200						
Idling speed		min <sup>-1</sup>	3,000						
Clutch engagement speed		min <sup>-1</sup>	4,000						
Carburetor			Diaphragm type						
Ignition system			Non-contact, magnet type						
Spark plug		type	NGK CMR6A						
Electrode gap		mm	0.7 - 0.8						
			CUTTER BLADE	NYLON CUTTING HEAD	CUTTER BLADE	NYLON CUTTING HEAD	CUTTER BLADE	NYLON CUTTING HEAD	
Vibration per ISO 22867	Right handle (Rear grip)	$a_{hv\ eq}$	m/s <sup>2</sup>	2.2	2.5	3.1	4.0	4.2	2.6
		Uncertainty K		m/s <sup>2</sup>	0.5	0.3	0.5	0.7	1.1
	Left handle (Front grip)	$a_{hv\ eq}$	m/s <sup>2</sup>	1.7	2.6	4.8	5.0	3.8	3.7
		Uncertainty K		m/s <sup>2</sup>	0.5	1.3	2.9	0.6	1.0
Sound pressure level average to ISO 22868		$L_{PA\ eq}$	dBA	92.4	99.8	91.2	99.1	92.8	94.9
		Uncertainty K		dBA	1.8	1.0	2.2	1.3	1.6
Sound power level average to ISO 22868		$L_{WA\ eq}$	dBA	101.8	114.3	103.1	113.8	103.4	107.7
		Uncertainty K		dBA	1.8	1.5	1.1	1.1	1.5
Fuel			Automobile gasoline (petrol)						
Engine Oil			API grade SF class or higher, SAE 10W-30 oil (automobile 4-stroke engine oil)						
Cutting tools (cutter blade dia.)		mm	305 (with three blades)						
Gear ratio			13/19						

# DESIGNATION OF PARTS

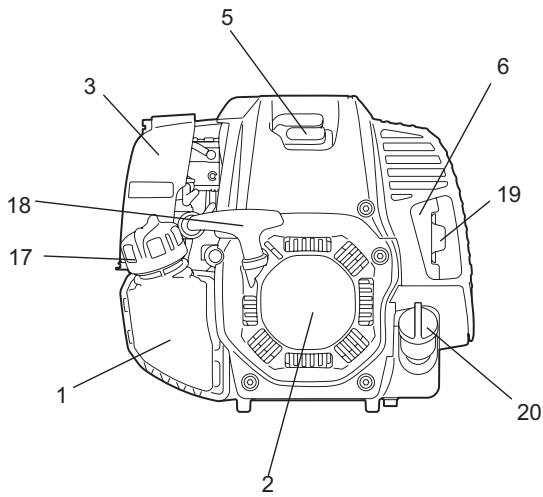
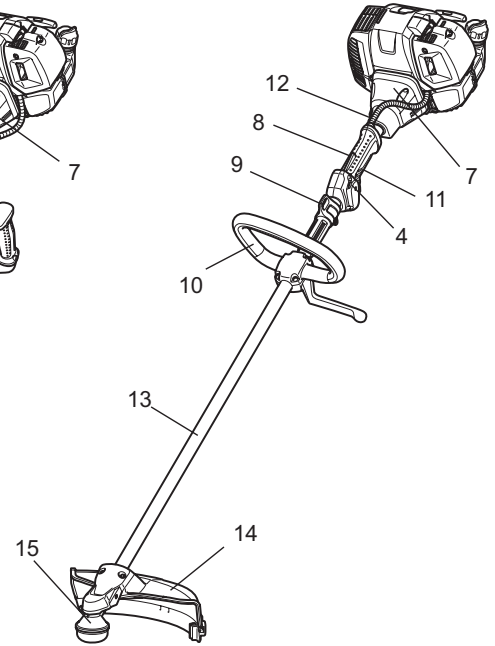
**EM4351UH**



**EM4350UH**



**EM4350LH**



GB	DESIGNATION OF PARTS
1	Fuel tank
2	Recoil starter
3	Air cleaner
4	I-O and throttle lock switch (on/off)
5	Spark plug
6	Exhaust muffler
7	Clutch case
8	Rear grip
9	Hanger
10	Handle
11	Throttle lever
12	Control cable
13	Shaft
14	Protector (Cutting tool guard)
15	Gear Case/Head case
16	Handle holder
17	Fuel tank cap
18	Starter knob
19	Exhaust pipe
20	Oil cap



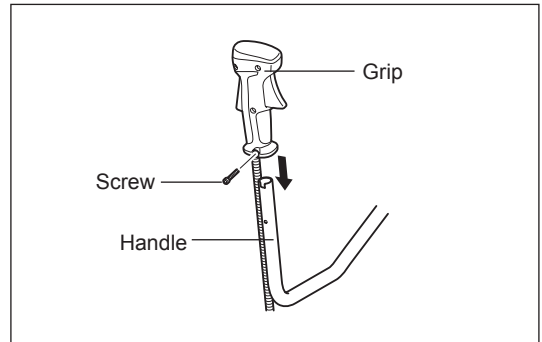
## MOUNTING OF HANDLE

CAUTION: Before doing any work on the equipment, always stop the engine and pull the spark plug connector off the spark plug.  
Always wear protective gloves!

CAUTION: Start the engine only after having assembled it completely.

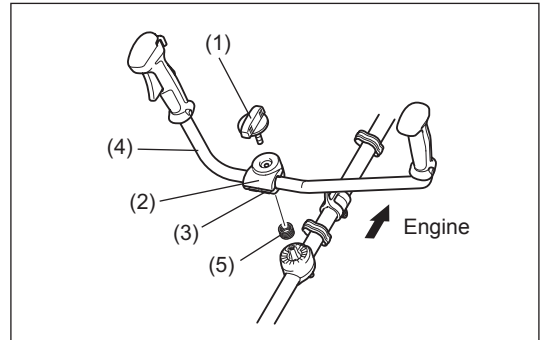
### For model EM4351UH, EM4350UH

Insert the shaft of the handle into the grip as shown.  
Align the screw hole in the grip with the one in the shaft.  
Tighten the screw securely.



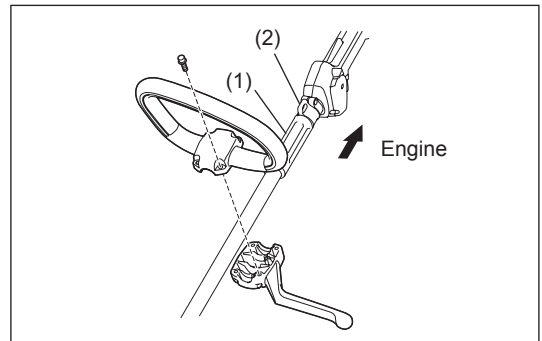
- Loosen knob (1).
- Place handle (4) between handle clamp (2) and handle holder (3).
- Adjust handle (4) to an angle that provides a comfortable working position and then secure by firmly hand-tightening knob (1).

CAUTION: Do not forget to mount spring (5).



### For model EM4350LH

- Fix the loop handle on the shaft with four screws.
- To keep a proper distance between the grips, place the spacer (1) between the loop handle and the hanger (2).



## MOUNTING OF PROTECTOR

To meet the applicable safety provisions, only the tool/protector combinations as indicated in the table must be used.



**Be sure to use genuine MAKITA metal blades (including saw blade and cutter blade) or nylon cutting head.**

- The metal blade must be well polished, free of cracks or breakage. If the metal blade hits against a stone during operation, stop the engine and check the blade immediately.
- Polish or replace the metal blade every three hours of operation.
- If the nylon cutting head hits against a stone during operation, stop the engine and check the nylon cutting head immediately.

**CAUTION:** The appropriate protector must always be installed, for your own safety and in order to comply with accident prevention regulations. Operation of the equipment without the guard being in place is not permitted.

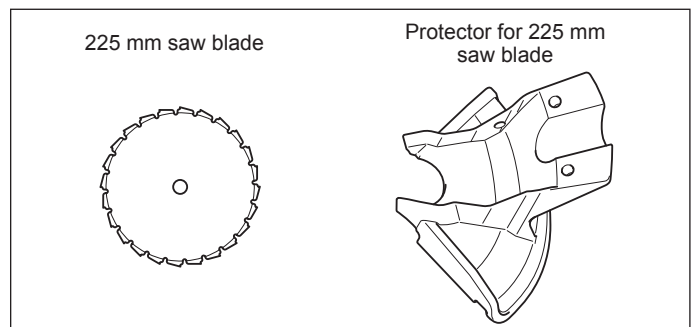
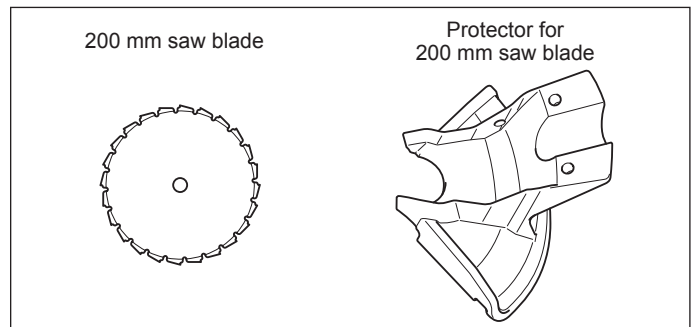
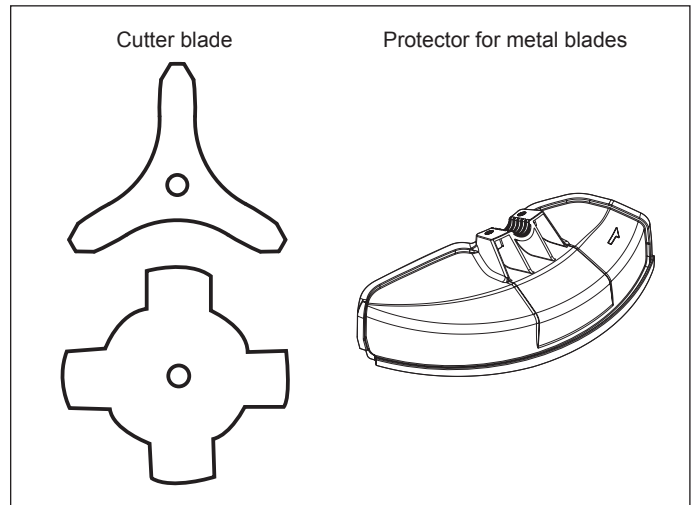
The outside diameter of the cutter blade must be 300 mm (12") or smaller. Never use any blades exceeding 300 mm (12") in outside diameter.

Use 200 mm saw-blade protector only when using 200 mm saw-blade.

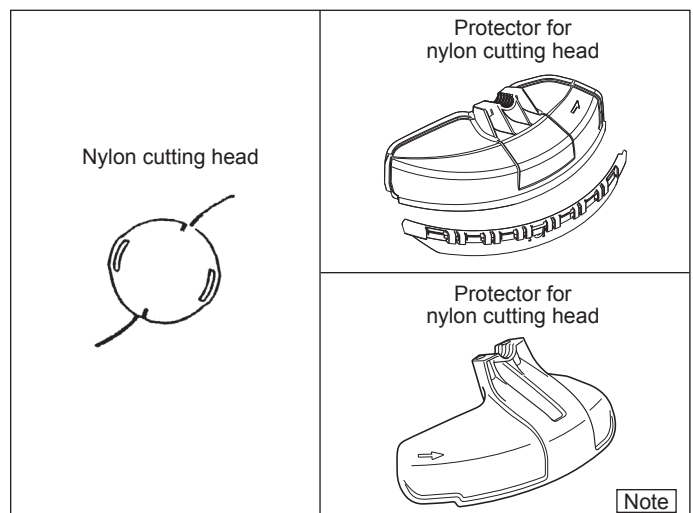
Use 225 mm saw-blade protector only when using 225 mm saw-blade.

Do not apply other combination when using saw-blade.

**NOTE:** The standard combination of cutting tool differs from county to country.

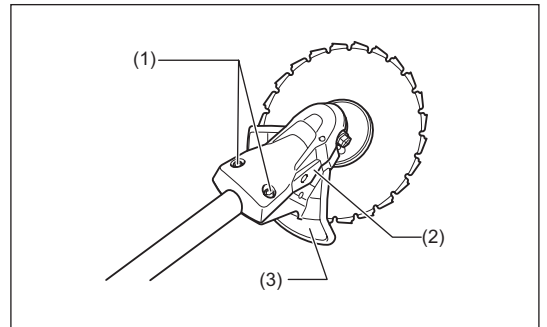
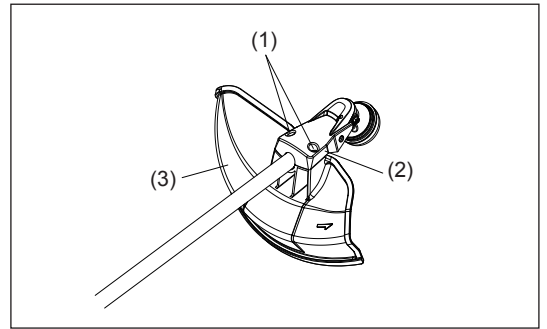


**NOTE:** When using this protector on Model EM4350LH in combination with the nylon cutting heads (B&F Z5L or B&F Eco6L ), use balance washer (P/N:326755\*2) between receiver washer and the nylon cutting head. (See page 12 as a reference to mounting.)



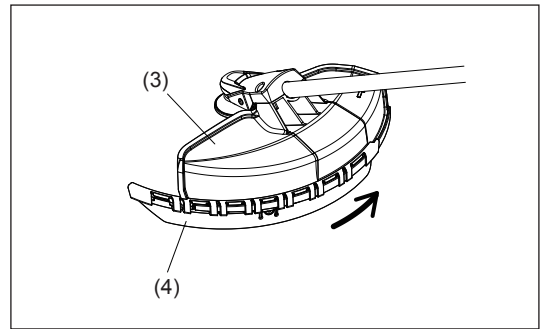
- In use of the metal blade, fix the protector (3) to the clamp (2) with two bolts (1).

NOTE: Tighten the right and left bolts evenly so that the gap between the clamp (2) and the protector (3) will be constant. Otherwise, the protector sometimes may not function as specified.

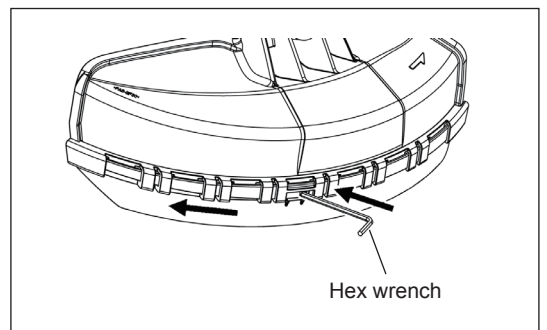


- In cases where the nylon cord cutter is to be used, be sure to mount the nylon cord cutter protector (4) onto the metal blade protector (3).
- Mount the nylon cord cutter protector (4) by sliding it into place from the flank of the metal blade protector (3) as shown.
- Remove tape adhered to cutter, which cuts nylon cord, on nylon cord cutter protector (4).

CAUTION: Be sure to push in nylon cord cutter protector (4) until it is fully inserted. Take care not to injure yourself on the cutter for cutting the nylon cord.



- To remove the nylon cord cutter protector (4), apply a hex wrench into the notch on the metal blade protector (3), push it in and meanwhile slide the nylon cord cutter protector (4).



## MOUNTING OF METAL BLADE OR NYLON CUTTING HEAD

### Be sure to use genuine MAKITA metal blades or nylon cutting head.

- The metal blade must be well polished, free of cracks or breakage. If the metal blade hits against a stone during operation, stop the engine and check the blade immediately.
- Polish or replace the metal blade every three hours of operation.
- If the nylon cutting head hits against a stone during operation, stop the engine and check the nylon cutting head immediately.

**CAUTION:** The appropriate protector must always be installed, for your own safety and in order to comply with accident-prevention regulations. Operation of the equipment without the guard being in place is not permitted.  
The outside diameter of the cutter blade must be 300 mm (12") or less. Never use any blades exceeding 300 mm (12") in outside diameter.

Turn the machine upside down, and you can replace the metal blade or nylon cutting head easily.

- Insert the hex wrench through the hole in the gear case and rotate the receiver washer (4) until it is locked with the hex wrench.
- Loosen the nut (1) (left-hand thread) with the socket wrench and remove the nut (1), cup (2), and clamp washer (3).

### Mounting of metal blade with the hex wrench still in place

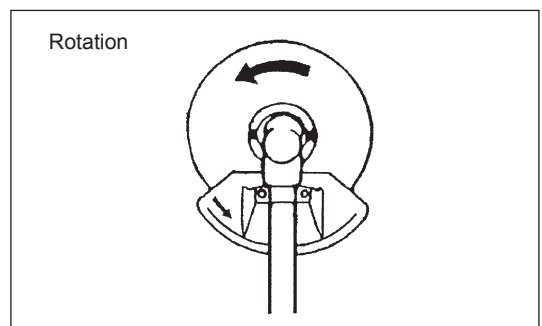
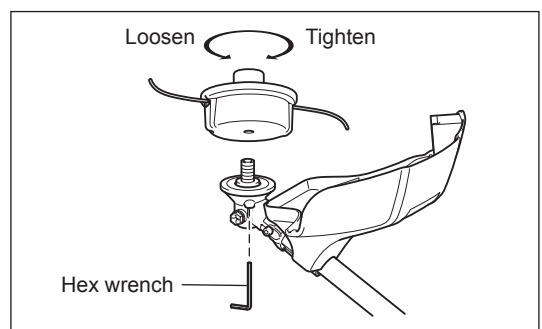
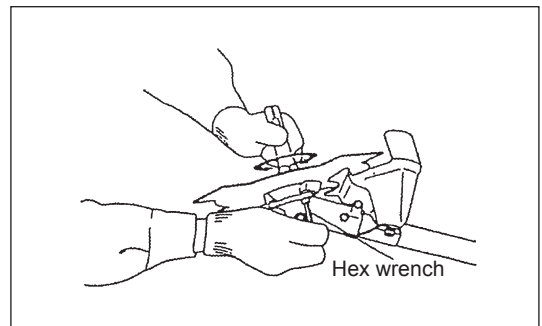
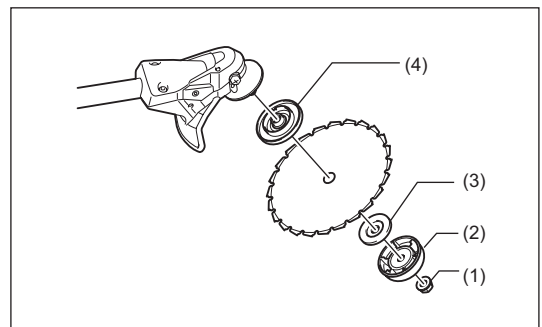
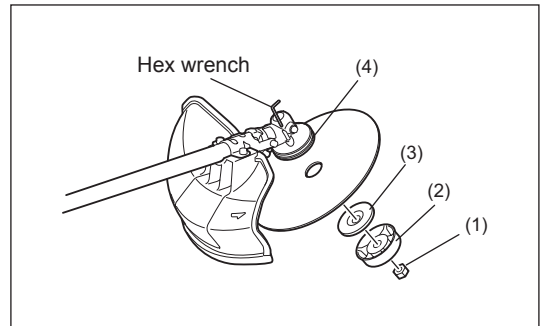
- Mount the metal blade onto the shaft so that the guide of the receiver washer (4) fits in the arbor hole in the metal blade. Install the clamp washer (3), cup (2), and secure the metal blade with the nut (1).  
[Tightening torque: 20 - 30 N-m]

**NOTE:** Always wear gloves when handling the metal blade.

**NOTE:** The metal blade-fastening nut (with spring washer) is a consumable part. If there appears any wear or deformation on the spring washer, replace the nut.

### Mounting of nylon cutting head

- The clamp washer (3), cup (2), and nut (1) are not necessary for mounting the nylon cutting head. The nylon cutting head should go on top of the receiver washer (4).
- Insert the hex wrench through the hole in the gear case and rotate the receiver washer (4) until it is locked with the hex wrench.
- Then screw the nylon cutting head onto the shaft by turning it counter-clockwise.
- Remove the hex wrench.



## BEFORE START OF OPERATION

### Inspection and refill of engine oil

- Perform the following procedure, with the engine cooled down.
- Assure that the engine is on a flat horizontal surface and confirm if the oil level is between the lower or upper limit of the oil indicator.
- If the oil level is below the lower limit, remove the oil cap and add oil.
- The area surrounding the external marks is transparent, so the amount of oil inside can be checked without having to remove the oil cap. However, if oil pipe becomes extremely dirty, visibility may be lost, and oil level will have to be checked against stepped section on inside of oil pipe.
- You may need to refill oil approximately every 10 operating hours (every 10 refuelings).  
If the oil changes in color or mixes with dirt, replace it with new one. (For the interval and method of replacement, refer to P 23.)

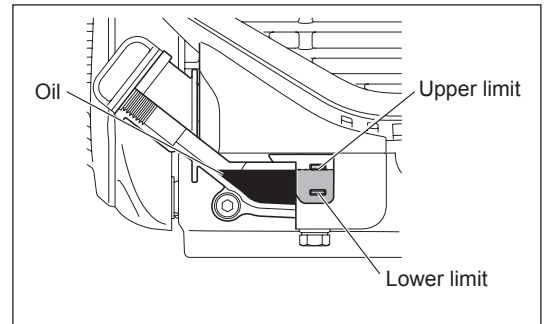
**Recommended oil:** SAE 10W-30 oil of API Classification, Class SF or higher (4-stroke engine for automobile)

**Oil volume:** Approx. 0.10L

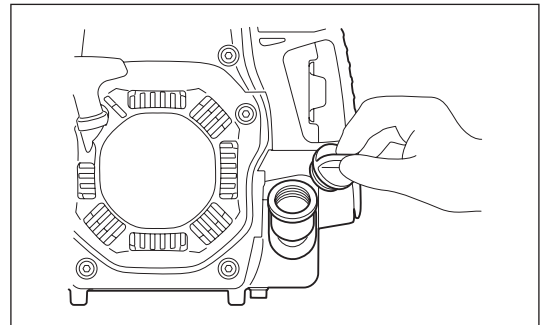
NOTE: If the engine is not positioned as illustrated on a horizontal surface, an inaccurate indication of oil level may occur and oil may be overfilled. Filling oil above the upper limit may cause oil contamination and/or white smoke.

### Replacement of oil: "Oil cap"

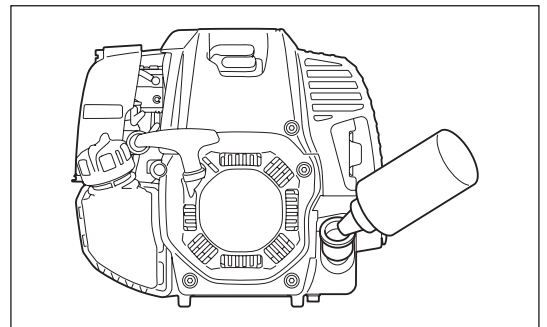
- Remove dust or dirt near the oil refill port, and detach the oil cap.
- Keep the detached oil cap free of sand or dust. Otherwise, any sand or dust adhering to the oil cap may cause irregular oil circulation or wear on the engine parts, which will result in troubles.



- (1) Keep the engine level, and detach the oil cap.



- (2) Fill with oil to upper limit mark.  
Use oil bottle when filling.



- (3) Securely tighten the oil cap. Insufficient tightening may cause oil leakage.

### Note

- Do not replace oil with the engine in a tilted position.
- Filling with oil while engine is tilted leads to overfilling which causes oil contamination and/or white smoke.

### After refilling oil

- Wipe with a rag any spilled oil immediately.

## REFUELING

### Handling of fuel

It is necessary to handle fuel with utmost care. Fuel may contain substances similar to solvents. Refueling must be performed in a sufficiently ventilated room or in the open air. Never inhale fuel vapor, and keep fuel away from you. If you touch fuel repeatedly or for a long time, the skin becomes dry, which may cause skin disease or allergy. If fuel enters into the eye, clean the eye with fresh water. If your eye remains still irritated, consult your doctor.

### Storage period of fuel

Fuel should be used within a period of 4 weeks, even if it is kept in a special container in a well-ventilated and shaded area. Otherwise, fuel may deteriorate in one day.

### STORAGE OF MACHINE AND REFILL TANK

- Keep the machine and tank at a cool place free from direct sunshine.
- Never keep the fuel in a car.

### Fuel

The engine is a four-stroke engine. Be sure to use an unleaded automobile gasoline 87 or higher octane ((R+M)/2). It may contain no more than 10% alcohol (E-10).

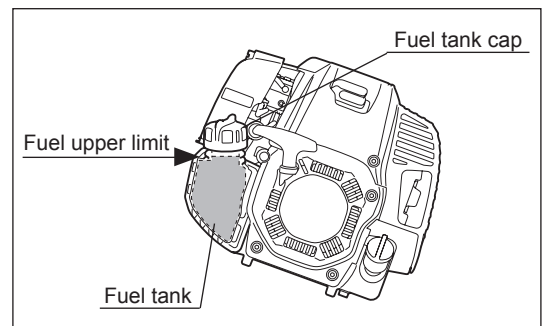
### Points for fuel

- Never use a gasoline mixture which contains engine oil. Otherwise, it will cause excessive carbon accumulation or mechanical troubles.
- Use of deteriorated oil will cause irregular start-up.

### Refueling

**WARNING: Shut off the engine before refueling, keep away from open flames and do not smoke.**

- Loosen the tank cap a little to release the tank pressure.
  - Detach the tank cap, and refuel, discharging air by tilting the fuel tank so that the refuel port will be oriented upward. DO NOT fill fuel up to the top of the tank.
  - Wipe the outside of the tank cap to prevent debris from entering into the fuel tank.
  - After refueling, securely tighten the tank cap.
- If there is any flaw or damage on the tank cap, replace it.
  - The tank cap wears out in course of time. Replace it every two to three years.
  - DO NOT put fuel in the oil fill port.



## CORRECT HANDLING OF MACHINE

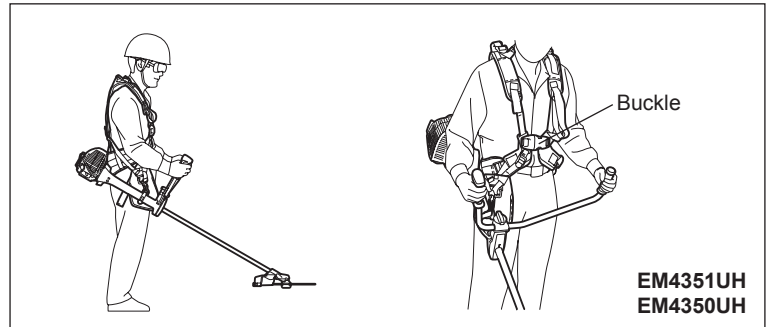
### Attachment of shoulder harness

- Adjust the strap length so that the metal blade will be kept parallel with the ground.

#### For EM4351UH, EM4350UH

Hold the harness on your back, attach it with the buckle, and adjust the length of the bands.

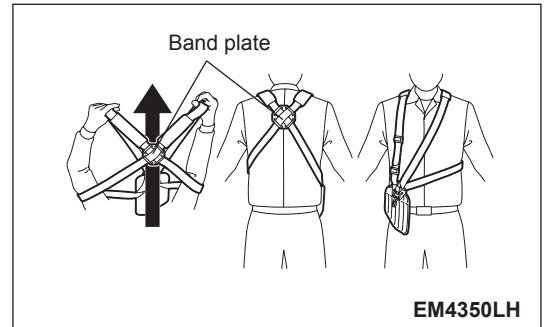
NOTE: Be careful not to trap clothing, etc., in the buckle.



EM4351UH  
EM4350UH

#### For EM4350LH

- 1) Stand as the band plate closer to you. And let your arms and head pass through the band.
- 2) The band plate sits on your back and the adjusters and hook comes on the right side of your body when you appropriately equip the harness.



EM4350LH

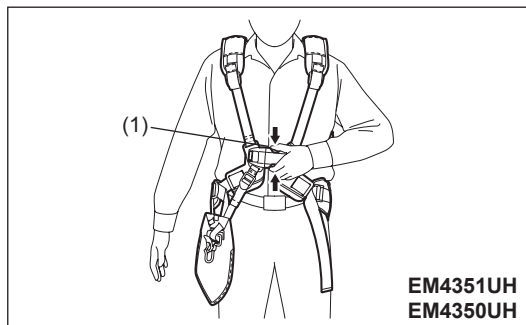
### Releasing the machine

#### For EM4351UH, EM4350UH

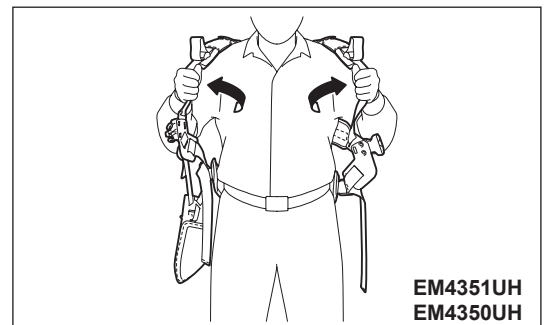
- To release the machine, squeeze the sides of the buckle (1) and take off the shoulder harness.

Be extremely careful to maintain control of the machine at this time. Do not allow the machine to be deflected toward you or anyone in the work vicinity.

WARNING: Failure to maintain complete control of the machine at all could result in serious bodily injury or DEATH.



EM4351UH  
EM4350UH



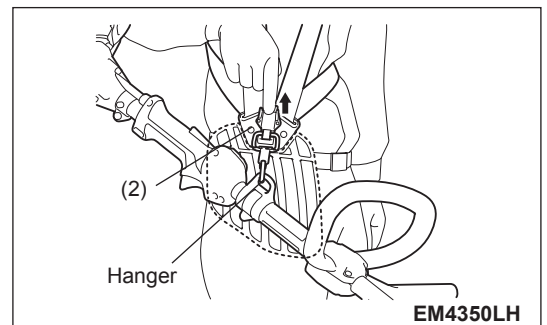
EM4351UH  
EM4350UH

#### For EM4350LH

- To release the machine, release the emergency detachment lever (2) by pulling strongly with fingers.

Be extremely careful to maintain control of the machine at this time. Do not allow the machine to be deflected toward you or anyone in the work vicinity.

WARNING: Failure to maintain complete control of the machine at all could result in serious bodily injury or DEATH.



EM4350LH

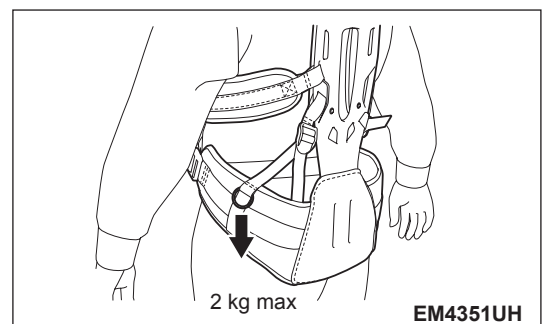
### Hanging ring

#### For EM4351UH

- You can use the ring for hanging something weighing less than 2 kg (4.4 lbs).

NOTICE: Do not hang anything weighing more than 2 kg(4.4 lbs) on the ring. Anything heavier on the ring can cause it to fail and the item to be damaged.

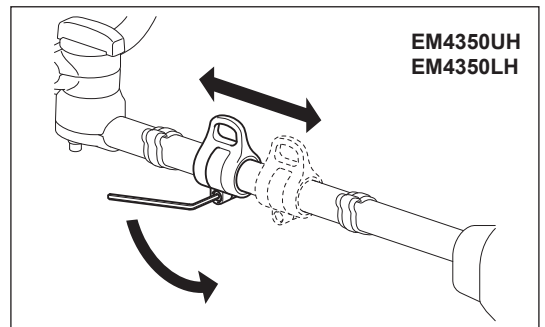
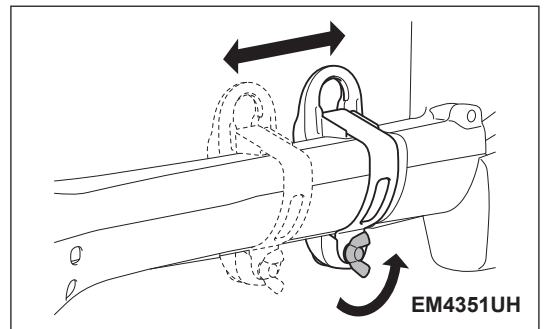
CAUTION: Do not hang anything on the ring that can become entangled with bushes or shrubs. Entanglement can cause loss of balance and control resulting in personal injury.



EM4351UH

### Weight balance adjustment

The machine's weight balance can be adjusted by moving location of the hanger forward or backward.  
Adjust the height of the cutting tool appropriately for operation.



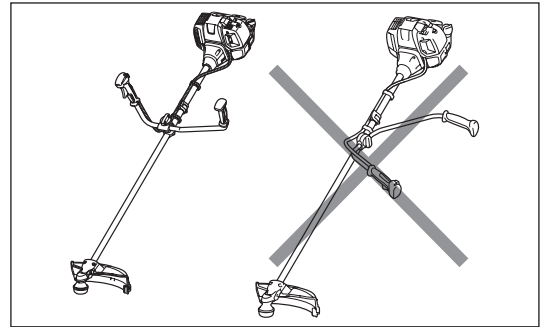


## POINTS IN OPERATION AND HOW TO STOP

Observe the applicable accident prevention regulations!



**Before starting the engine, always set the handle in the proper position.** Otherwise the cutting tool may turn suddenly and cause injury, because the throttle cable may be pulled or bent, and open the throttle.

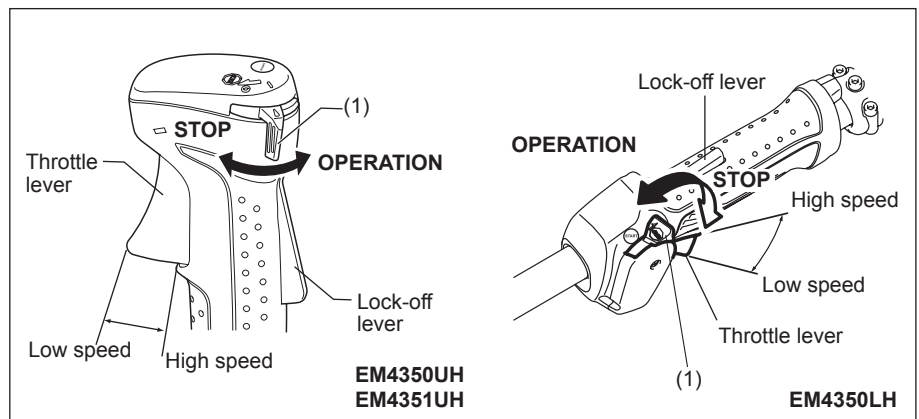


### STARTING

Move at least 3 m away from the place of refueling. Place the unit on the ground taking care that the cutting tool does not come into contact with the ground or any other objects.

#### A: Cold start

- 1) Set this machine on a flat space.
- 2) Set the I-O switch (1) to OPERATION.

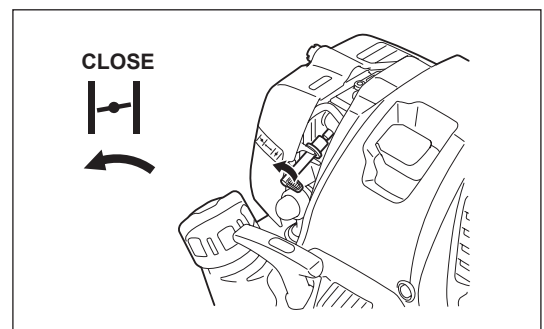


- 3) Choke lever

Close the choke lever.

Choke opening:

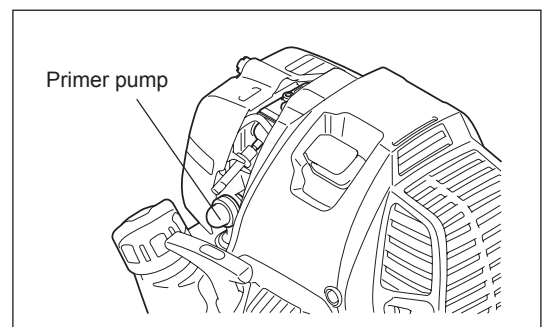
- Full closing in cold or when the engine is cold.
- Full or half opening if the engine is a bit warm, such as restarting engine just after stopping during warm-up operation.



- 4) Primer pump

Continue to push the primer pump until fuel comes into the primer pump. (In general, 7 to 10 pushes.)

If the primer pump is pushed excessively, an excess of gasoline returns to the fuel tank.

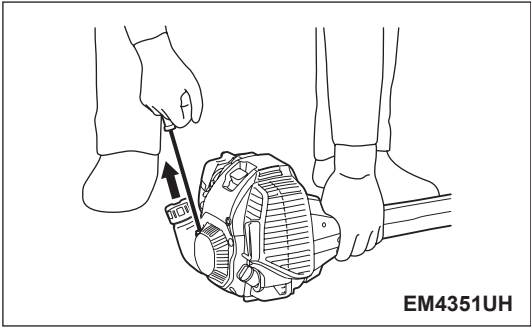
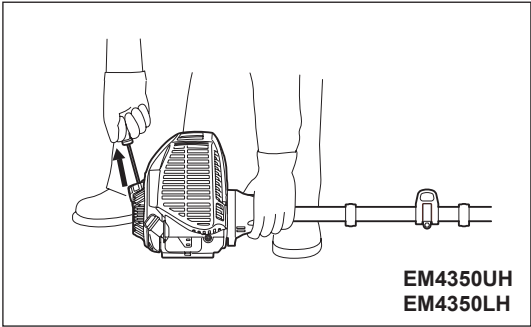


5) Recoil starter

Make sure you have a firm footing.  
Hold the unit with your left hand and press it down firmly.

**CAUTION:** Do not stand or kneel on the throttle cable. The internal wire may be pulled and the cutting tool may start rotating unintentionally.  
Do not open the throttle.

Pull the starter knob gently until a certain resistance is felt. Then, return the starter knob, and pull it strongly.  
Never pull the rope to the full extension. Once the starter knob is pulled, never release your hand immediately. Hold the starter knob until it returns to its original point.



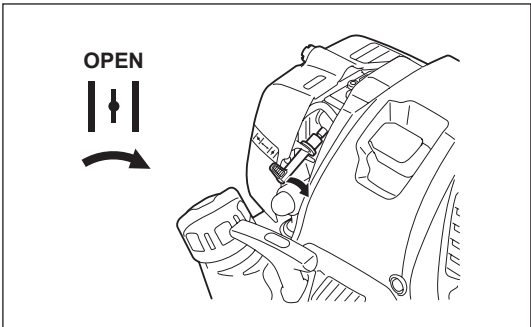
6) Choke lever

Once engine starts, set choke lever to the OPEN position.  
- Open the choke lever gradually while checking the engine operation. Be sure to open the choke lever to the full in the end.  
- In cold or when the engine is cooled down, never open the choke lever suddenly. Otherwise the engine may stop.

7) Warm-up operation

Continue warm-up operation for 2 to 3 minutes.

**NOTICE:** Do not pull the throttle lever unnecessarily while the engine is not running. It may cause fuel leak from the air cleaner. If it happens, wipe leaked fuel off. Also, open the air cleaner cover and clean the element and the air cleaner plate.



NOTE:

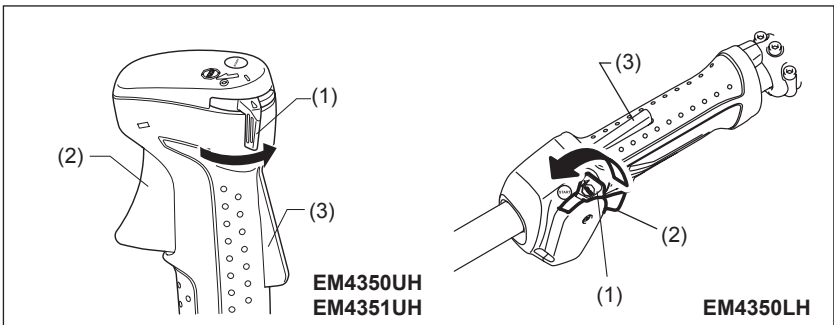
- Do not pull the throttle lever unnecessarily when the engine is not running. It may cause flooding of fuel in the engine, and may cause the engine difficult to start up.
- In case of flooding of the fuel, remove the spark plug and pull the starter handle slowly to remove excess fuel. Also, dry the electrode section of the spark plug.
- If the engine fires and stops, or stops soon after starting, return the choke lever to the OPEN position, and pull the starter knob a few times again to start the engine.
- If the choke lever is left in the CLOSE position, and the starter knob merely pulled repeatedly, too much fuel will be sucked in, and the engine will become difficult to start.
- Do not race the engine in warm-up operation unnecessarily.

**B: Warm start**

- 1) Keep the choke lever full open.
- 2) Push the primer pump repeatedly.
- 3) Keep the throttle lever at the idling position.
- 4) Pull the recoil starter strongly.
- 5) If it is difficult to start the engine, release the lock-off lever (3), pull the throttle lever (2), and move the I-O switch (1) to the throttle lock position. With holding the I-O switch (1), release the throttle lever (2) and the lock-off lever (3). Then pull the starter knob.

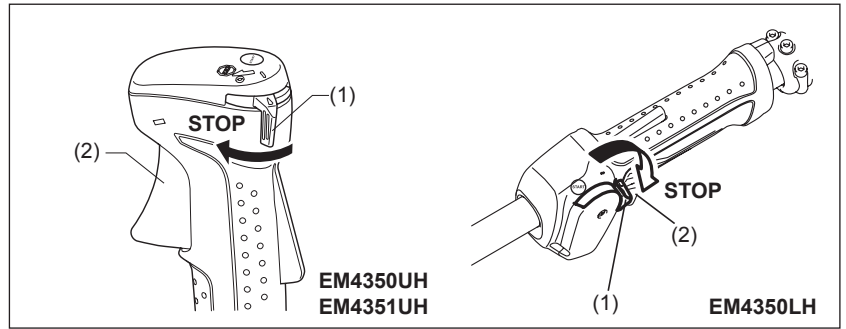
**WARNING:** Pay attention that the cutting tool rotates immediately.

- 6) Once the engine starts, release the lock-off lever (3) and pull the throttle lever (2), and release them to make the engine idle.



## STOPPING

- 1) Release the throttle lever (2) fully, and when the engine rpm has lowered, set the I-O switch (1) to STOP the engine will now stop.
- 2) The cutting tool continues to rotate a while after stopping the engine. Wait until it stops completely.

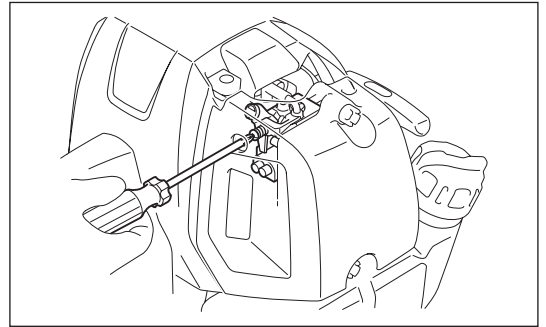


## ADJUSTMENT OF IDLE SPEED

When it is necessary to adjust the idle speed, perform it by the carburetor adjusting screw.

### CHECKUP OF IDLE SPEED

- Set the idle speed to 3,000 min<sup>-1</sup>.  
If it is necessary to change the idle speed, use a phillips head screw driver on the screw illustrated on the right.
- To increase the idle speed, turn the adjusting screw clockwise.  
To reduce the idle speed, turn the adjusting screw counterclockwise.
- The carburetor is factory adjusted. However, after several use the idle speed need to be re-adjusted.

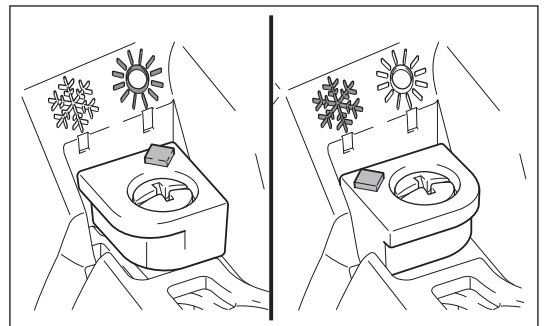
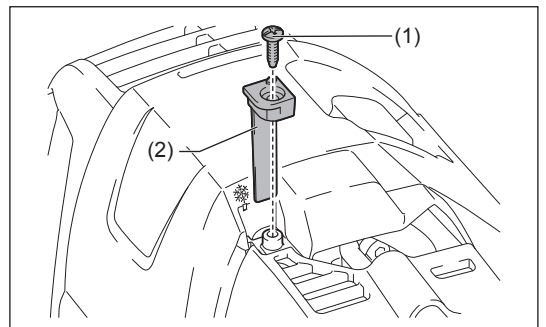


## PREVENTION FROM CARBURETOR ICING

**CAUTION:** When environmental temperature is higher than 10°C, always return the shutter to normal (sun mark) setting. Otherwise the engine may be damaged by overheating.

When the environmental temperature is low and humidity is high, water vapor may freeze inside the carburetor and the engine drives unsteadily (carburetor icing). Change the setting of the shutter as follows if necessary.

1. Remove the screw (1).
2. Change the direction of the shutter (2) as follows:
  - Environment temperature is higher than 10°C: Set the shutter in normal position (sun mark).
  - Environment temperature is equal or lower than 10°C: Set the shutter in anti-icing position (snow mark).
3. Tighten the screw.

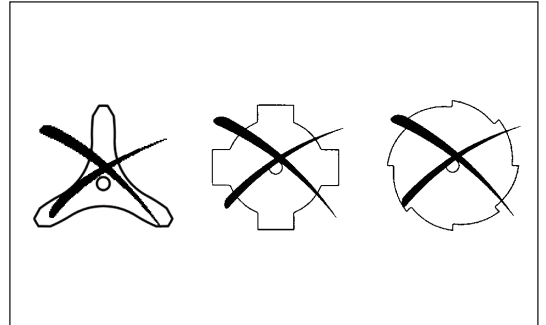


## RESHARPENING THE CUTTING TOOL



**CAUTION:** The cutting tools shown in the illustration are not to be sharpened. Manual resharpening will result in imbalances of the cutting tool causing vibrations and damage to the equipment.

**NOTE:** To increase the service life of the cutter blade it may be turned over once, until both cutting edges have become blunt.



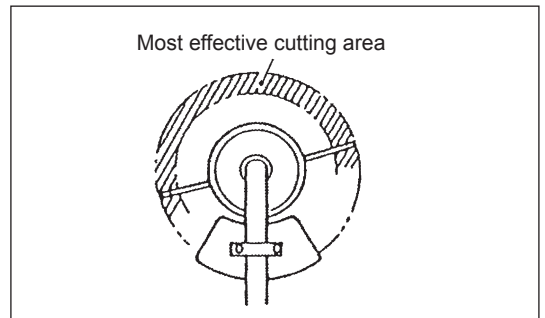
### NYLON CUTTING HEAD

The nylon cutting head is a dual line trimmer head that has bump & feed mechanism.

The nylon cutting head will feed out the proper length of nylon line after tapping the nylon cutting head on the ground by changes in centrifugal force caused by increasing or decreasing rpms.

#### Operation

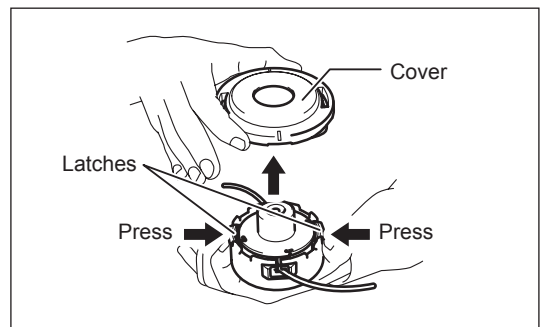
- Increase the nylon cutting head speed to approx. 6,000 min<sup>-1</sup>. Bump the nylon cutting head lightly on the ground.
- The most effective cutting area is shown by the shaded area.
- If the nylon cord does not feed out, rewind/replace the nylon cord by following the procedures described under “Replacing the nylon cord.”



### Replacing the nylon cord (BUMP & FEED)

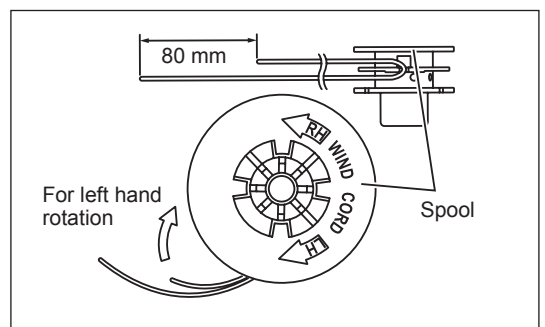
**WARNING:** Make sure that the cover of the nylon cutting head is secured to the housing properly as described below. Failure to properly secure the cover may cause the nylon cutting head to fly apart resulting in serious personal injury.

Press inward on the housing latches and lift upward to remove the cover. Discard any of the remaining nylon cord.

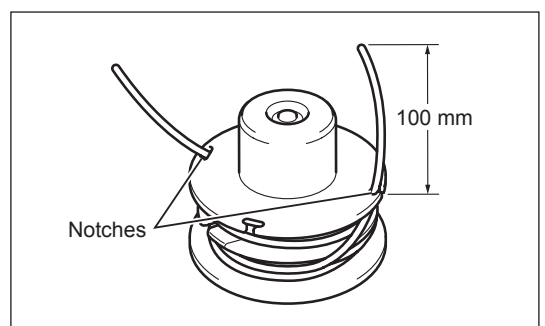


Hook the middle of the new nylon cord to the notch located at the center of the spool between the 2 channels provided for the nylon cord. One side of the cord should be about 80 mm longer than the other side.

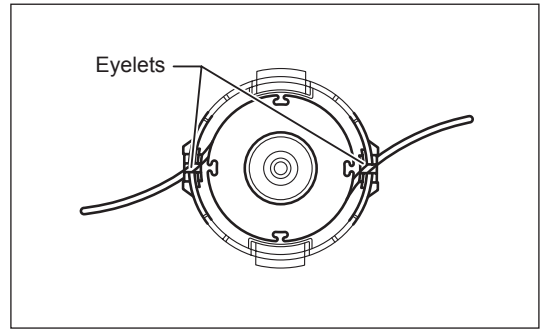
Wind both ends firmly around the spool in the direction marked on the head for left hand rotation indicated by LH.



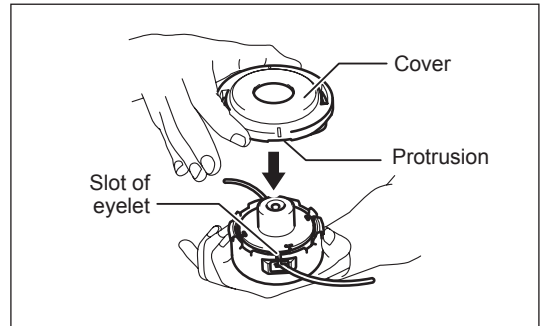
Wind all but about 100 mm of the cords, leaving the ends temporarily hooked through a notch on the side of the spool.



Mount the spool in the housing so that the grooves and protrusions on the spool match up with those in the housing. Keep the side with letters on the spool visible on the top. Now, unhook the ends of the cord from their temporary position and feed the cords through the eyelets to come out of the housing.

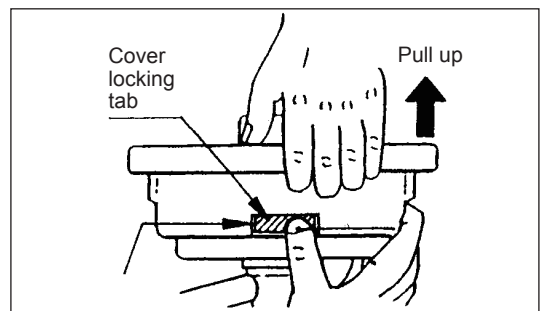


Align the protrusion on the underside of the cover with the slots of the eyelets. Then push cover firmly onto the housing to secure it. Make sure the latches fully spread in the cover.

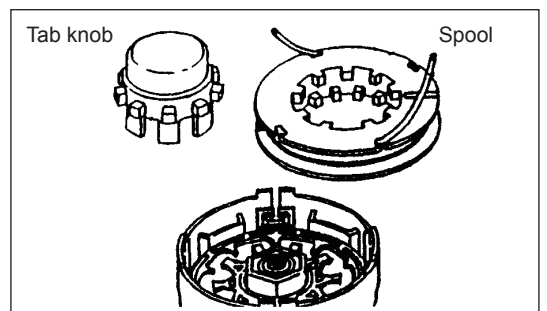


### Replacing the nylon cord (ULTRA AUTO)

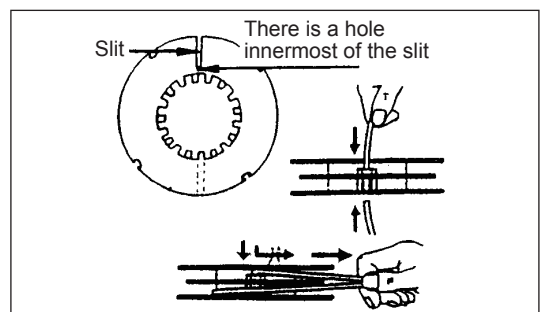
1. Put off cover from housing, pressing two cover locking tabs located oppositely on side of the housing.



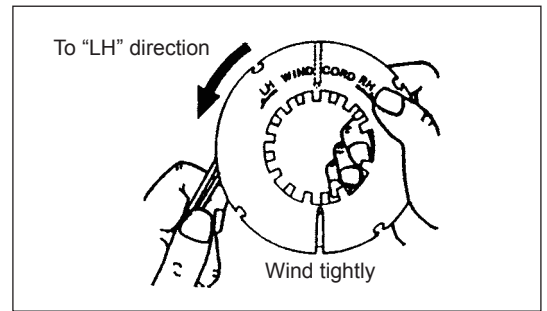
2. Take off tab knob and spool from the housing.



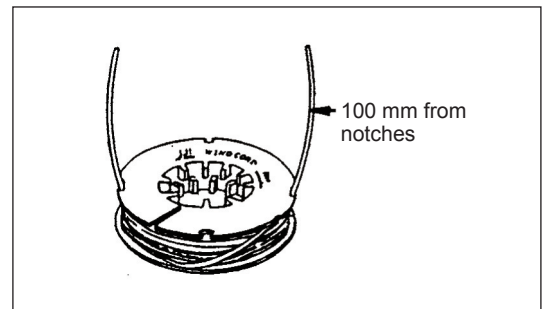
3. Put each one end of two cutting lines into each holes at innermost of the slit on one of spool outer flanges. Put the lines into spool gutters through each slit on the flanges.



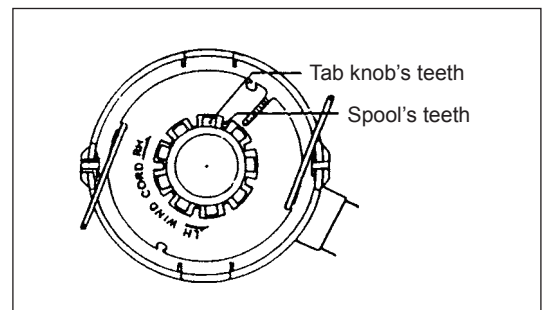
4. Wind the lines up firmly to the direction shown by left-hand (LH) arrow on the flange. Do not cross the lines.



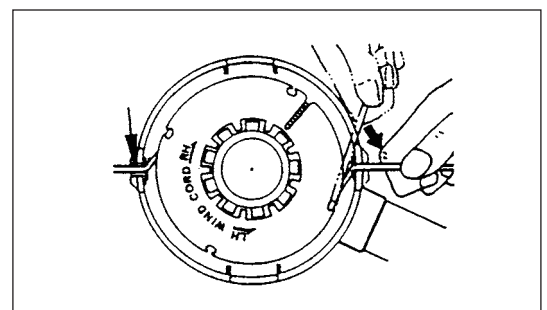
5. Wind all but about 100 mm (3-15/16") of the Cords, leaving the end temporarily hooked through a notch on the side of the spool.



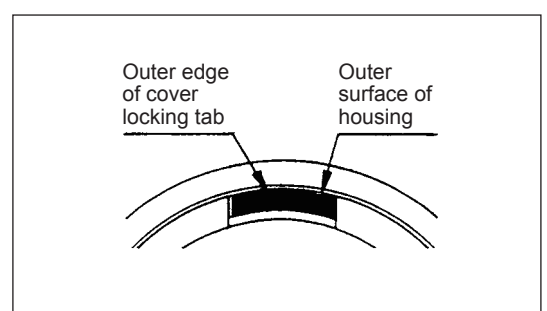
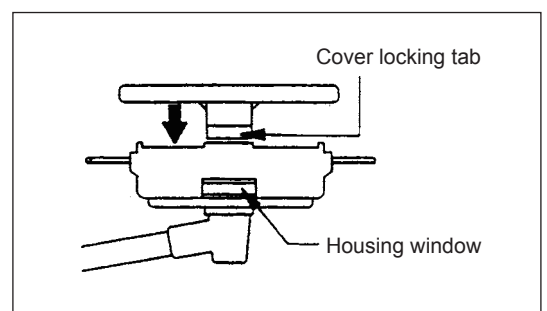
6. Put tab knob onto the housing hub, positioning it can freely move up and down against spring tension. Put the spool into the housing, aligning the teeth on spool and tap knob alternately like gears.



7. Put in the cutting lines through the slot of eyelets.



8. Put the cover onto the housing, aligning the tabs on cover and the windows on housing. Make sure the cover is secured exactly to the housing. Outer edge of cover locking tab and outer surface of the housing should be on same circumference.



## SERVICING INSTRUCTIONS

**CAUTION:** Before doing any work on the equipment, always stop the engine and pull the plug cap off the spark plug (see “checking the spark plug”).  
Always wear protective gloves!

To ensure a long service life and to avoid any damage to the equipment, the following servicing operations should be performed at regular intervals.

### Daily checkup and maintenance

- Before operation, check the machine for loose screws or missing parts. Pay particular attention to the tightness of the metal blade or nylon cutting head.
- Before operation, always check for clogging of the cooling air passage and the cylinder fins. Clean them if necessary.
- Perform the following work daily after use:
  - Clean the equipment externally and inspect for damage.
  - Clean the air filter. When working under extremely dusty conditions, clean the filter the several times a day.
  - Check the blade or the nylon cutting head for damage and make sure it is firmly mounted.
  - Check that there is sufficient difference between idling and engagement speed to ensure that the cutting tool is at a standstill while the engine is idling (if necessary reduce idling speed).  
If under idling conditions the tool should still continue to run, consult your nearest Authorized Service Agent.
- Check the functioning of the I-O switch, the lock-off lever, the throttle lever, and the lock button.

### REPLACEMENT OF ENGINE OIL

Deteriorated engine oil will shorten the life of the engine. Be sure to check the oil and level regularly.



**WARNING:** The engine and engine oil is still hot just after stopping engine. Allow sufficient time for the engine and engine oil to cool down. Otherwise a skin burn may result.

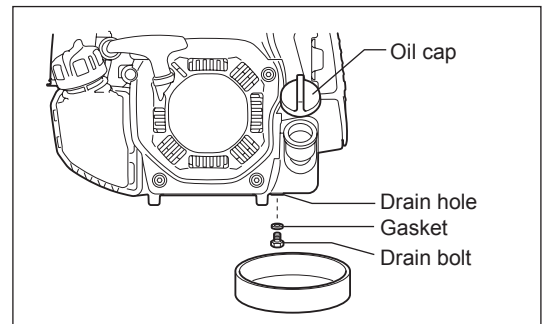
**NOTE:** If the oil filled above the limit, it may be contaminated or may catch fire with white smoke. Allow sufficient time after stopping engine for the engine oil to return to the oil tank to ensure accurate reading of the oil level.

**Interval of replacement:** After first 20 operating hours, followed by every 50 operating hours.

**Recommended oil:** SAE10W-30 oil of API Classification SF Class or higher (4-stroke engine oil for automobile)

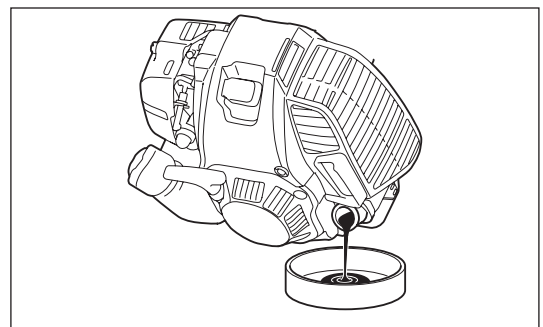
In replacement, perform the following procedure.

- 1) Make sure that the fuel tank cap is tightened securely.
- 2) Place large container (pan, etc.) under drain hole.
- 3) Remove drain bolt and then remove oil cap to drain out oil from drain hole. At this time, be sure not to lose drain bolt's gasket, or get dirty any of the removed components.
- 4) Once all the oil has been drained, install gasket and drain bolt, and tightly secure drain bolt, so that it will not loosen and cause leaks.  
[Tightening torque: 5 N·m]  
\* Use cloth to fully wipe off any oil attached to bolt and equipment.



#### Alternative draining method

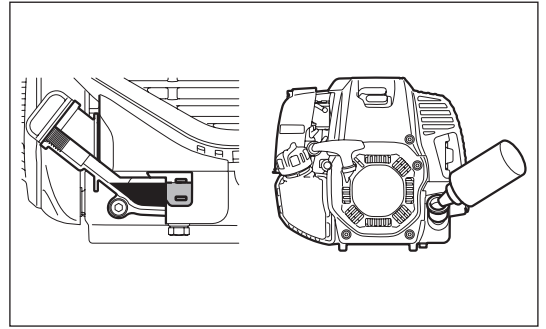
Remove oil cap, tilt the equipment toward oil filler hole, and drain out oil. Collect oil in container.



- 5) Set the engine level, and gradually fill up to upper limit mark with new oil.
- 6) After filling, tightly secure oil cap, so that it will not loosen and cause leaks. If oil cap is not tightly secured, it may leak.

**POINTS ON OIL**

- Never discard replaced engine oil in garbage, earth or sewage ditch. Disposal of oil is regulated by law. In disposal, always follow the relevant laws and regulations. For any points remaining unknown, contact Authorized Service Agent.
- Oil will deteriorate even when it is kept unused. Perform inspection and replacement at regular intervals (replace with new oil every 6 months).



**CLEANING OF AIR CLEANER**



**WARNING:** Shut off the engine, keep away from open flames and do not smoke.

**Interval of Cleaning and Inspection: Daily (every 10 operating hours)**

- Turn the choke lever to the full close side, and keep the carburetor off from dust or dirt.

**Removing air cleaner cover**

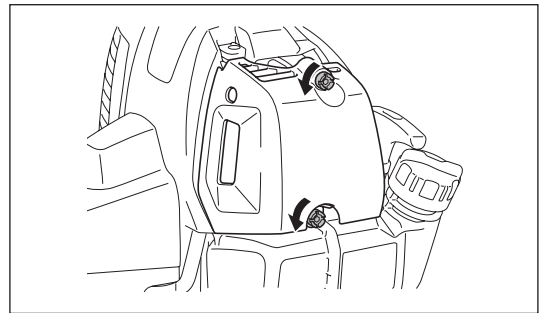
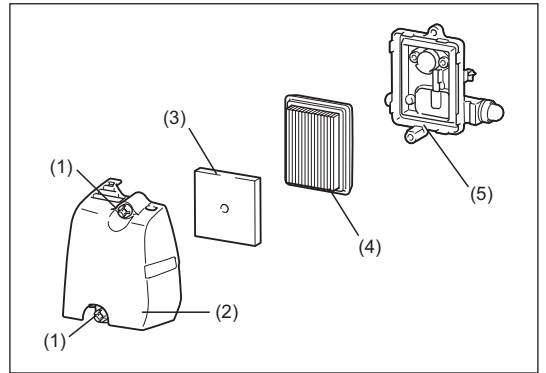
- Loosen two fixing bolts (1).
- Pull and remove the air cleaner cover (2).

**Cleaning element**

- Remove the elements (3, 4) and tap them to remove dirt.
- For heavy contamination:
  - 1) Remove the element (sponge) (3), immerse it in warm water or in water diluted neutral detergent, and dry it completely. Do not squeeze or rub it when washing.
  - 2) Clean the element (paper) (4) by tapping it gently. If you can use an air blow gun, blow the compressed air onto the inside of the element (paper). Do not wash the element (paper).
- Before attaching the element (sponge), be sure to dry it completely. Insufficient drying of the element (sponge) may lead to difficult start-up.
- Wipe out oil adhering around the air cleaner cover and separator plate (5) with waste cloth.

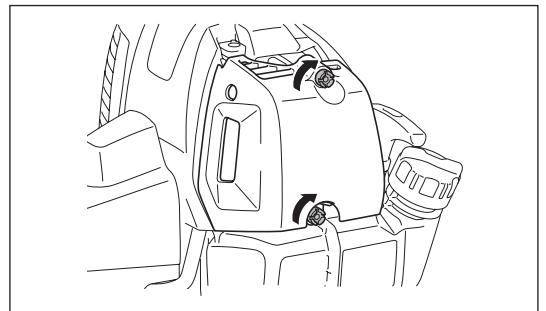
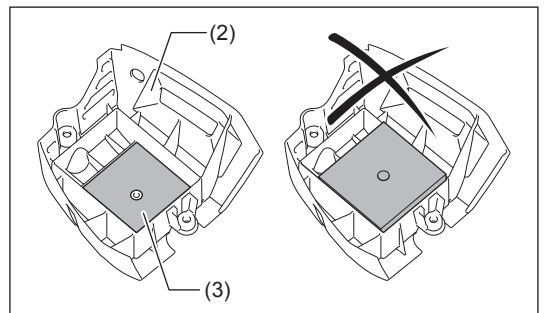
**Attaching air cleaner cover**

- Fit the element (sponge) and element (paper). Insert the element (sponge) all the way into the air cleaner cover.
- Tighten the air cleaner cover with two fixing bolts.



**NOTICE:**

- Clean the elements several times a day, if excessive dust adheres to it. Dirty elements reduce engine power and make starting engine difficult.
- Remove oil on the elements. If operation continues with the elements remaining not cleared of oil, oil in the air cleaner may fall outside, resulting in contamination of the environment.
- Do not put the elements on the ground or dirty place. Otherwise they pick up dirt or debris and it may damage the engine.
- Never use fuel for cleaning the elements. Fuel may damage them.

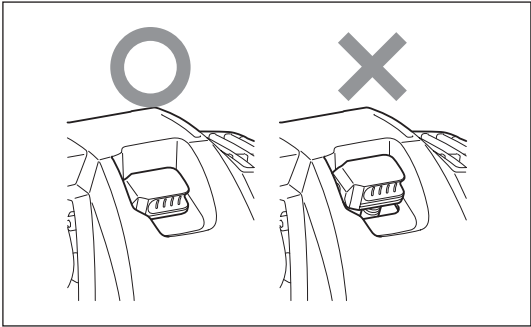
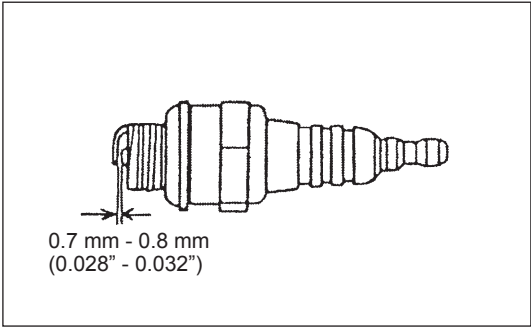




**CHECKING THE SPARK PLUG**

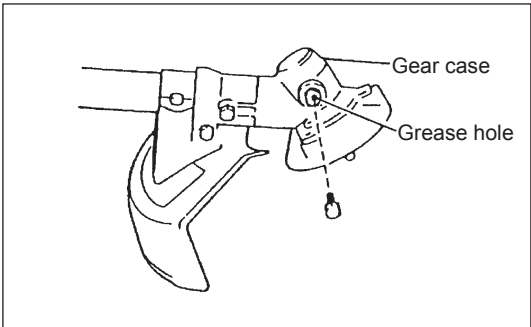
- Only use the supplied universal wrench to remove or to install the spark plug.
  - The gap between the two electrodes of the spark plug should be 0.7 - 0.8 mm (0.028" - 0.032"). If the gap is too wide or too narrow, adjust it. If the spark plug is clogged or contaminated, clean it thoroughly or replace it.
- Place the plug cap properly as illustrated after checking.

CAUTION: Never touch the spark plug connector while the engine is running (danger of high voltage electric shock).



**SUPPLY OF GREASE TO GEAR CASE**

- Supply grease (Shell Alvania 2 or equivalent) to the gear case through the grease hole every 30 hours. (Genuine MAKITA grease may be purchased from your MAKITA dealer.)



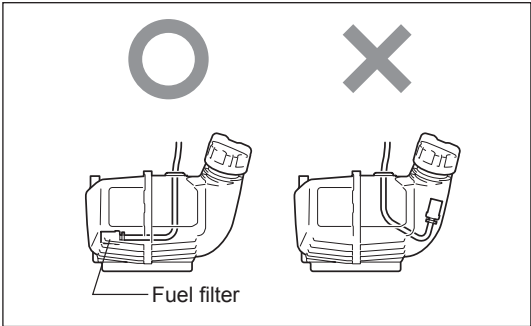
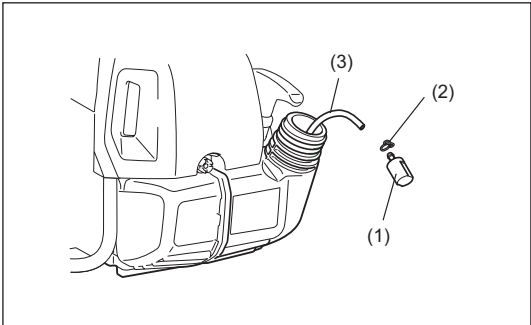
**CLEANING OF FUEL FILTER**

**WARNING: INFLAMMABLES STRICTLY PROHIBITED**

Interval of Cleaning and Inspection: Monthly (every 50 operating hours)

**Suction head in the fuel tank**

- The fuel filter (1) of the suction head is used to filter the fuel required by the carburetor.
- A periodical visual inspection of the fuel filter is to be conducted. Open the tank cap, use a wire hook and pull out the suction head through the tank opening. If the filter is hard or clogged up, replace it.
- Replace the fuel filter at least quarterly to ensure an enough fuel supply to the carburetor. Otherwise an insufficient fuel supply will cause the engine start failure and limited maximum speed.
- After checking, cleaning or replacing, fix the fuel filter onto the fuel pipe (3) with the hose clamp (2). Push the fuel filter in all the way to the bottom of the fuel tank.



## REPLACEMENT OF FUEL PIPE

### CAUTION: INFLAMMABLES STRICTLY PROHIBITED

Interval of Cleaning and Inspection: Daily (every 10 operating hours)

Replacement: Annually (every 200 operating hours)

Replace the fuel pipe every year, regardless of operating frequency. Fuel leakage may lead to fire.

If any leakage is detected during inspection, replace the fuel pipe immediately.

## INSPECTION OF BOLTS, NUTS AND SCREWS

- Retighten loose bolts, nuts, etc.
- Check the fuel cap and oil cap for tightness. Check for fuel and oil leakage.
- Replace damaged parts with new ones for safety operation.

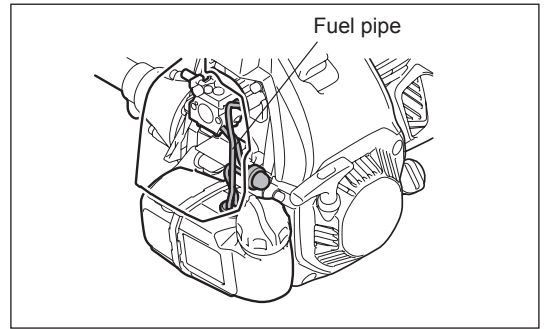
## CLEANING OF PARTS

- Always keep the engine clean by wiping down with a cloth rag.
- Keep the cylinder fins free of dust or dirt. Dust or dirt adhering to the fins will cause piston seizure.

## REPLACEMENT OF GASKETS AND PACKINGS

Replace gaskets and packings if the engine is disassembled.

Any maintenance or adjustment work that is not included and described in this manual is only to be performed by Authorized Service Agents.



## STORAGE

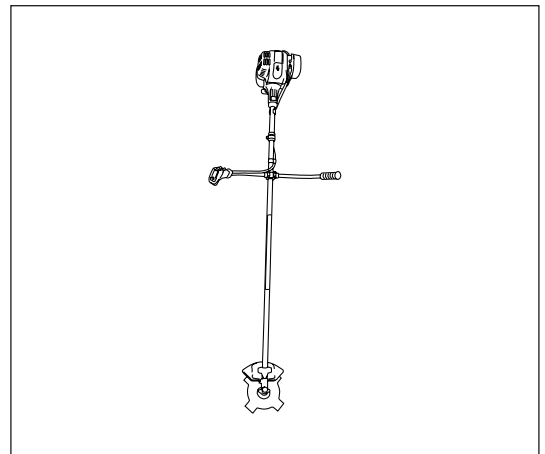


**WARNING:** The engine is still hot just after stopping engine. When draining the fuel, allow sufficient time for the engine to cool down after stopping it. Otherwise a skin burn and/or fire may result.



**DANGER:** When the machine is kept out of operation for a long time, drain all fuel from the fuel tank and carburetor, and keep it at a dry and clean place.

- Drain fuel from the fuel tank and carburetor according to the following procedure:
  - 1) Remove the fuel tank cap, and drain fuel completely. If there is any foreign matter remaining in the fuel tank, remove it completely.
  - 2) Pull out the fuel filter from the refill port using a wire.
  - 3) Push the primer pump until fuel is drained from there, and drain fuel coming into the fuel tank.
  - 4) Put the filter to the fuel tank, and securely tighten the fuel tank cap.
  - 5) Then, continue to operate the engine until it stops.
- Remove the spark plug, and drip several drops of engine oil through the spark plug hole.
- Gently pull the starter handle so that engine oil will spread over the engine, and attach the spark plug.
- Attach the cover to the metal blade.
- In general, store the machine in horizontal position, or if it is not possible, place the machine as the cutting tool comes below the engine. Pay full attention how to store the machine to prevent the machine from falling. Otherwise it may result in personal injury.
- Keep the drained fuel in a special container in a well-ventilated shade.



### Attention after long-time storage

- Before startup after long-time shutdown, be sure to replace oil (refer to P 23). Oil will deteriorate while the machine is kept out of operation.

Item	Operating time	Before operation	After refueling	Daily (10h)	30h	50h	200h	Before storage	Corresponding P
Engine oil	Inspect/clean	○							13
	Replace					○*1			23
Tightening parts (bolt, nut)	Inspect	○							25
Fuel tank	Clean/inspect	○							—
	Drain fuel							○*3	26
Throttle lever	Check function		○						—
Stop switch	Check function		○						23
Cutting tool	Inspect	○		○					10
Idle speed	Inspect/adjust			○					19
Air cleaner	Clean			○					24
Spark plug	Inspect			○					25
Cooling air passage and cylinder fins	Clean/inspect			○					26
Fuel pipe	Inspect			○					26
	Replace						◎*2		—
Gear-case grease	Refill				○				25
Fuel filter	Clean/replace					○			25
Valve clearance (intake valve and exhaust valve)	Inspect/adjust						◎*2		—
Carburetor	Drain fuel							○*3	26

\*1 Perform initial replacement after 20h operation.

\*2 For the 200 operating hour inspection, request Authorized Service Agent or a machine shop.

\*3 After emptying the fuel tank, continue to run the engine and drain fuel in the carburetor.

## TROUBLESHOOTING

Before making a request for repairs, check for trouble by yourself. If any abnormality is found, control your machine according to the description of this manual. Never tamper or dismount any part contrary to the description. For repairs, contact Authorized Service Agent or local dealership.

State of abnormality	Probable cause (malfunction)	Remedy
Engine does not start	I-O switch is set to STOP.	Set the I-O switch to OPERATION.
	Failure to operate primer pump	Push 7 to 10 times
	Low pulling speed of starter rope	Pull strongly
	Lack of fuel	Feed fuel
	Clogged fuel filter	Clean
	Broken fuel tube	Straighten fuel tube
	Deteriorated fuel	Deteriorated fuel makes starting more difficult. Replace with new fuel. (Recommended replacement: 1 month)
	Excessive suction of fuel	Set throttle lever from medium speed to high speed, and pull starter handle until engine starts. <b>Once engine starts, metal blade starts rotating. Pay full attention to metal blade.</b> If engine will not start still, remove spark plug, dry the electrode, and reassemble them as they originally are. Then, start as specified.
	Detached plug cap	Attach securely
	Contaminated spark plug	Clean
	Abnormal clearance of spark plug	Adjust clearance
	Other abnormality of spark plug	Replace
	Abnormal carburetor	Make request for inspection and maintenance.
Starter rope cannot be pulled	Make request for inspection and maintenance.	
Abnormal drive system	Make request for inspection and maintenance.	
Engine stops soon Engine speed does not increase	Insufficient warm-up	Perform warm-up operation
	Choke lever is set to "CLOSE" although engine is warmed up.	Set to "OPEN"
	Clogged fuel filter	Clean
	Contaminated or clogged air cleaner	Clean
	Abnormal carburetor	Make request for inspection and maintenance.
	Abnormal drive system	Make request for inspection and maintenance.
Metal blade does not rotate ↓ Stop engine immediately	Loosened metal blade-tightening nut	Tighten securely
	Twigs caught by metal blade or dispersion-preventing cover.	Remove foreign matter
	Abnormal drive system	Make request for inspection and maintenance.
Main unit vibrates abnormally ↓ Stop engine immediately	Broken, bent or worn metal blade	Replace metal blade
	Loosened metal blade-tightening nut	Tighten securely
	Shifted convex part of metal blade and metal blade support fitting.	Attach securely
	Abnormal drive system	Make request for inspection and maintenance.
Metal blade does not stop immediately ↓ Stop engine immediately	High idling rotation	Adjust
	Detached throttle wire	Attach securely
	Abnormal drive system	Make request for inspection and maintenance.
Engine does not stop ↓ Run engine at idling, and set choke lever to CLOSE	Detached connector	Attach securely
	Abnormal electric system	Make request for inspection and maintenance.

When the engine does not start after warm-up operation:

If there is no abnormality found for the check items, open the throttle by about 1/3 and start the engine.

Tack för att du valde en utomhusmaskin från MAKITA. Vi är glada över att kunna presentera MAKITAs produkt som är resultatet av ett långt utvecklingsprogram och många års kunskap och erfarenhet.















Läs igenom denna bruksanvisning och följ anvisningarna under de olika punkter som visar produktens unika prestanda. Genom att noga följa dessa anvisningar kommer du att uppnå bästa möjliga resultat med din MAKITA produkt.



Innehåll	Sidan
Symboler .....	29
Säkerhetsanvisningar .....	30
Teknisk data.....	34
Delar .....	35
Montering av handtag.....	36
Montering av skydd .....	37
Montering av metallblad eller trimmerhuvud.....	39
Innan du börjar använda maskinen .....	40
Korrekt hantering av maskinen.....	42
Viktigt vid användning och hur du stoppar maskinen ..	44
Omslipning av skärverktyget .....	47
Serviceanvisningar .....	50
Förvaring .....	53

## SYMBOLER

Följande symboler finns i denna bruksanvisningen.

	Läs igenom bruksanvisningen och iaktta varningar och säkerhetsföreskrifter!		Håll alla personer och djur borta från arbetsområdet!
	Var särskilt försiktig och uppmärksam!		Bär skyddshjälm, skyddsglasögon och hörselskydd!
	Förbjudet!		Högsta tillåtna maskinhastighet
	Håll avstånd!		Bränsle (bensin)
	Fara för flygande föremål!		Motor – manuell start
	Bakåtkast!		Nödstopp
	Rökning förbjuden!		Första hjälpen
	Ingen öppen eld!		PÅ/START
	Skyddshandskar måste användas!		AV/STOPP
	Använd kraftiga stövlar med halkfri sula. Skyddsstövlar med stålförstärkt tåhätta rekommenderas!		LÄGE FÖR SPÄRRAT GASREGLAGE

## SÄKERHETSANVISNINGAR

### Allmänna anvisningar

- Läs denna bruksanvisning för att bekanta dig med hanteringen av utrustningen. En användare som inte har tillgodogjort sig informationen och hanterar maskinen fel utgör en risk både för sig själv och andra.
- Låt inte personer utan praktisk erfarenhet av utrustningen låna den. Överlämna alltid bruksanvisningen också.
- Om du aldrig har använt en röjsåg tidigare är det lämpligt att låta återförsäljaren ge en demonstration av maskinens grundläggande funktioner.
- Barn och ungdomar under 18 år får inte använda denna utrustning. Ungdomar över 16 år kan dock använda maskinen för utbildning, under övervakning av erfaren person.
- Var ytterst försiktig och uppmärksam.
- Använd endast utrustningen när du är i god fysisk kondition. Utför allt arbete noggrant och i lugnt tempo. Maskinen används under användarens fulla ansvar.
- Använd aldrig utrustningen efter förtäring av alkohol eller droger, eller om du känner dig trött eller sjuk.
- Nationella bestämmelser kan begränsa användningen av maskinen.

### Maskinens användningsområde

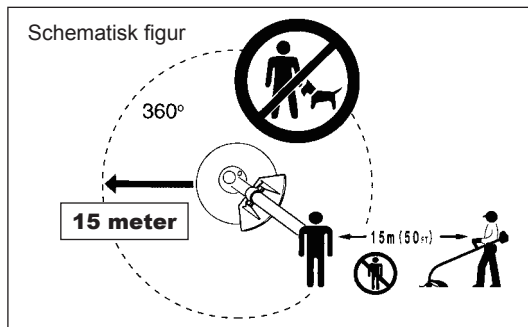
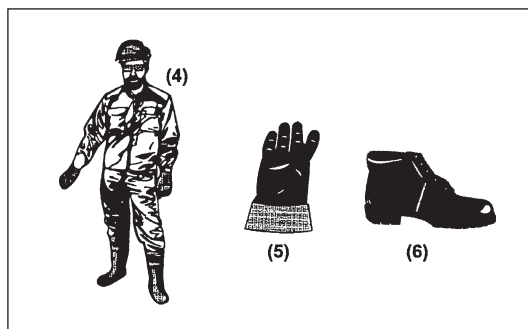
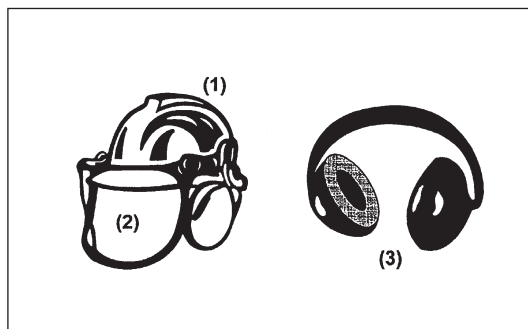
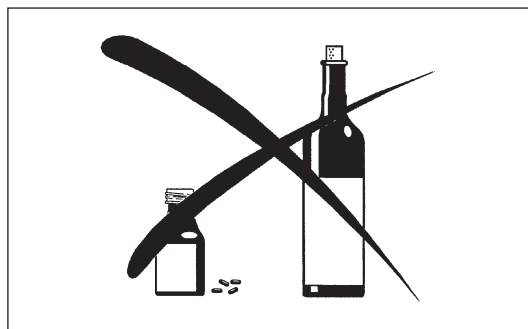
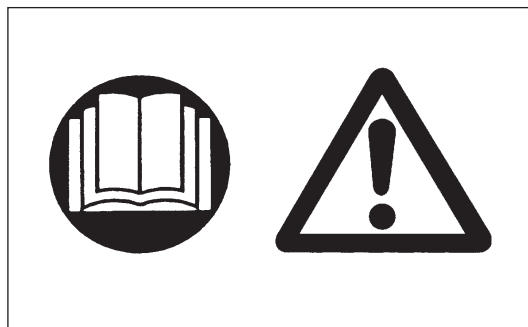
- Utrustningen är endast avsedd att användas för att klippa gräs, ogräs, buskar och undervegetation. Den ska inte användas för något annat syfte såsom kant- eller häckklippning eftersom detta kan orsaka skada.

### Personlig skyddsutrustning

- Tänk på att ha en bekväm och funktionell klädsel med god passform, dvs. varken för hårt eller löst sittande plagg. Bär varken smycken eller kläder som kan trassla in sig i sly eller buskar.
- För att undvika skador på antingen huvud, ögon, händer eller fötter samt för att skydda hörseln måste följande skyddsutrustning bäras vid användning.
- Bär alltid hjälm om det finns risk för fallande föremål. Skyddshjälmen (1) ska kontrolleras med jämna mellanrum så att det inte uppstått några skador, och ska bytas ut minst vart 5:e år. Använd endast godkända skyddshjälm.
- Hjälmens visir (2) (eller skyddsglasögon) skyddar ansiktet mot flygande skräp och stenar. När du använder maskinen ska du alltid bära skyddsglasögon eller visir för att förhindra ögonskador.
- Bär lämplig hörselskyddsutrustning för att undvika försämrad hörsel (hörselkåpor (3), öronproppar etc.).
- Arbetsoveraller (4) skyddar mot flygande stenar och skräp. Vi rekommenderar starkt att användaren bär arbetsoverall.
- Handskar (5) är en del av den föreskrivna utrustningen och ska alltid bäras under användning.
- Ha alltid kraftiga skor (6) med en halksäker sula när du använder utrustningen. Detta skyddar mot skador och garanterar en god balans.

### Starta röjsågen

- Kontrollera att barn och andra obehöriga inte befinner sig inom ett arbetsområde på 15 meter (50 ft) från maskinen, och var även uppmärksam på eventuella djur i omgivningen.
- Kontrollera alltid före användning att utrustningen är säker att använda: Kontrollera att skärverktyget sitter fast ordentligt, att gasreglaget går lätt att hantera och att gasreglagespärren fungerar på rätt sätt.
- Rotation av skärverktyget under tomgångsvarvtal är inte tillåtet. Kontakta din återförsäljare om du är osäker på justeringen. Kontrollera att handtagen är rena och torra och att strömbrytaren för start/stopp fungerar.

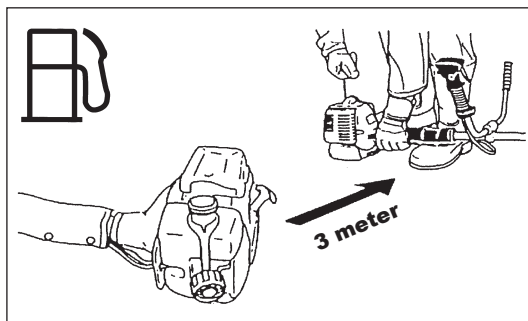
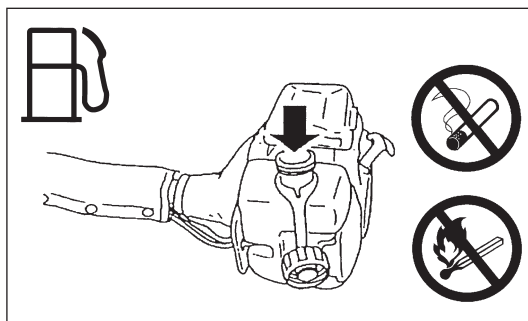
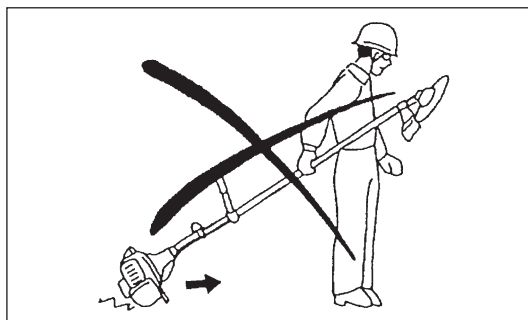
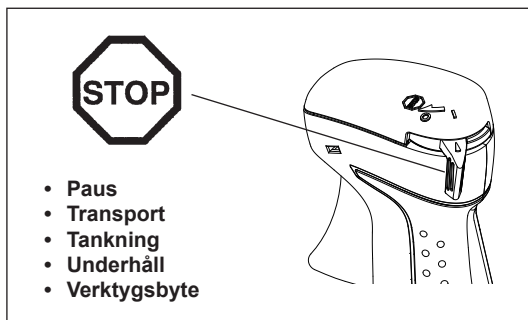
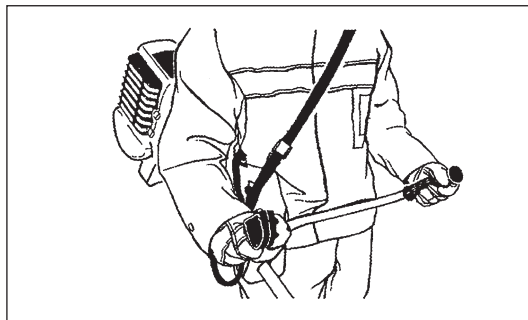
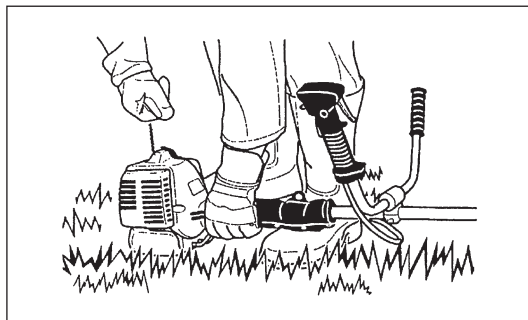


Starta alltid röjsågen enligt anvisningarna.

- Använd inte några andra metoder för att starta motorn!
- Använd röjsågen och verktygen endast för de tillämpningar som anges.
- Starta röjsågens motor endast efter det att hela monteringen är gjord. Maskinen får endast användas efter att alla lämpliga tillbehör är monterade!
- Kontrollera innan du startar att skärverktyget inte är i kontakt med hårda föremål såsom grenar, stenar etc. eftersom skärverktyget roterar vid start.
- Stäng omedelbart av motorn om du misstänker motorfel.
- Stäng omedelbart av motorn och inspektera skärverktyget om det har slagit i stenar eller andra hårda objekt.
- Kontrollera om det finns några skador på skärverktyget under korta regelbundna intervaller (upptäck hårfina sprickor med hjälp av knackande ljudtest).
- Kontrollera utrustningen innan du fortsätter att arbeta igen om den slagit emot något hårt eller ramlat ner. Kontrollera bränslesystemet så att inte bränsleläckage uppstått samt kontrollerna och säkerhetsenheterna för felfunktion. Om det finns någon skada eller tveksamhet ska du be vårt auktoriserade servicecenter om kontroll och reparation.
- Använd endast maskinen med axelremmen fastsatt, vilken ska vara justerad efter användaren innan röjsågen börjar användas. Det är viktigt att justera axelremmen efter användarens storlek för att förhindra trötthet under användningen. Håll aldrig maskinen med en hand under arbetet.
- Håll alltid i röjsågen med båda händerna under användning. Se till att alltid ha bra fotfäste.
- Hantera utrustningen på ett sådant sätt att du undviker inandning av avgaser. Kör aldrig motorn i stängda utrymmen (risk för gasförgiftning). Koloxid är en luktfri gas.
- Stäng av motorn vid vila och när röjsågen lämnas utan uppsikt, och placera den på ett säkert ställe för att förhindra att andra personer skadas eller att maskinen kommer till skada.
- Lägg aldrig den varma röjsågen på torrt gräs eller annat brännbart material.
- Montera alltid det godkända skyddet för skärverktyget på utrustningen innan du startar motorn. Annars kan kontakt med skärverktyget orsaka allvarliga personskador.
- Alla skyddsinstallationer och skydd som medföljer maskinen måste användas under användningen.
- Kör aldrig motorn med trasig ljuddämpare.
- Stäng av motorn under förflyttning.
- Vid transport av utrustning ska alltid skyddet monteras på metallbladet.
- Försäkra dig om att utrustningen är säkert placerad under biltransporten för att undvika bränsleläckage.
- Kontrollera att bränsletanken är helt tom före transport.
- Var försiktig vid avlastningen av utrustningen så att du inte tappar motorn på marken eftersom det allvarligt kan skada bränsletanken.
- Tappa inte eller kasta maskinen på marken förutom i nödsituationer eftersom det allvarligt kan skada den.
- Kom ihåg att lyfta hela utrustningen från marken när den ska flyttas. Att släpa bränsletanken är mycket farligt och orsakar skada och bränsleläckage, samt eventuellt brand.

## Tankning

- Stäng av motorn vid påfyllning av bränsle och se till att ingen öppen eld finns i närheten, och rök inte.
- Låt inte mineralolja produkter komma i kontakt med huden. Andas inte in bränsleångor. Bär alltid skyddshandskar vid bränslepåfyllning. Byt och tvätta skyddskläder regelbundet.
- Se till att bränsle- eller oljespill inte förekommer för att undvika att marken blir kontaminerad (miljöskydd). Rengör röjsågen omedelbart om bränsle läcker ut.
- Undvik att få bränsle på kläderna. Byt omedelbart dina kläder om du fått bränslespill på dem (för att undvika att kläderna fattar eld).
- Kontrollera regelbundet att tanklocket sitter ordentligt fast och att det inte läcker.
- Skruva åt tanklocket ordentligt. Starta inte motorn på samma plats som där påfyllning skedde (flytta maskinen minst 3 meter).
- Fyll aldrig på i ett stängt utrymme. Bränsleångor ansamlas på golvnivå (explosionsrisk).
- Transportera och förvara bränslet endast i godkända behållare. Se till att barn inte kan komma i kontakt med bränslet.



## Arbetsmetod

- Använd röjsågen endast då du har goda ljus- och siktförhållanden. Var uppmärksam på våta och hala fläckar, snö och is under vintersäsongen (halkrisk). Se alltid till att ha bra fotfäste.
- Klipp aldrig över midjehöjd.
- Stå aldrig på en stege.
- Klättra aldrig upp i träd för att kapa grenar.
- Arbeta aldrig på ostadigt underlag.
- Ta bort sand, stenar, spikar etc. som finns i arbetsområdet. Främmande material kan skada skärverktyget och eventuellt orsaka farliga bakåtkast.
- Innan du börjar använda skärverktyget måste det ha uppnått full arbetshastighet.
- När du använder metallblad ska du sväng verktyget jämnt i en halvcirkel från höger till vänster som när du använder en lie. Om gräs eller grenar fastnar mellan skärverktyget och skyddet ska du alltid stoppa motorn före rengöring. Annars kan allvarliga personskador uppstå om bladet börjar rotera oavsiktligt.
- Ta en paus för att förebygga trötthet och förlorad kontroll. Vi rekommenderar en paus på 10 till 20 minuter varje timme.

## Skärverktyg

- Använd lämpligt skärverktyg för det arbete som ska utföras. Trimmerhuvuden (med nylontråd) är lämpliga för att trimma gräsytor. Metallblad är lämpliga vid kapning av ogräs, högt gräs, buskage, snår, sly och liknande. Använd aldrig andra blad inklusive svängande metallkedjor och blad för dikesputsare. I annat fall kan det resultera i allvarlig skada.
- När du använder metallblad ska du undvika "bakåtkast" och alltid vara förberedd för oavsiktliga bakåtkast. Se avsnittet "Bakåtkast" och "Förhindra bakåtkast".

## Bakåtkast (skärbladet slår bakåt)

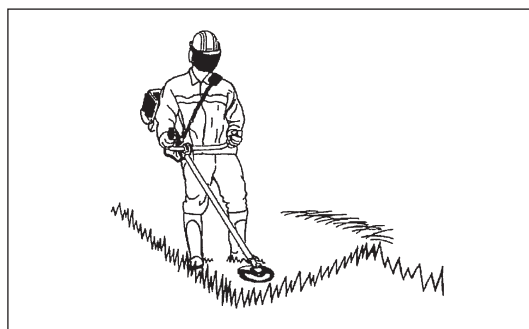
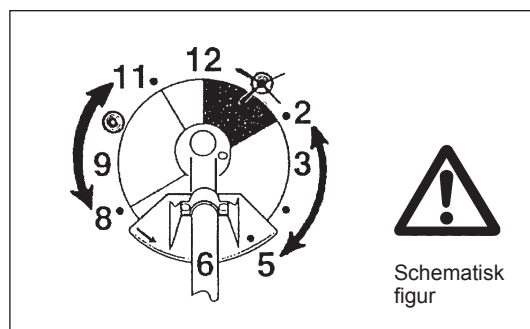
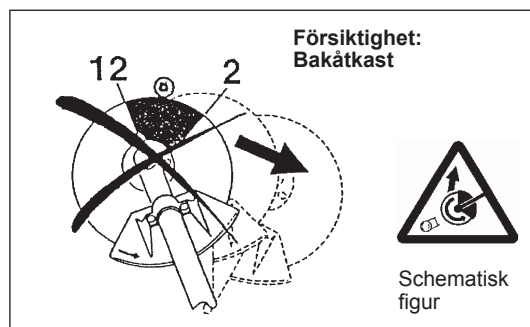
- Bakåtkast (bladet kastar) är en plötslig reaktion när ett metallblad fastnar eller studsar. När det inträffar kastas utrustningen i sidled eller mot användaren med stor kraft och kan orsaka allvarlig personskada.
- Bakåtkast uppstår särskilt när man använder blad i segmentet mellan klockan 12 och 2 på fasta föremål, buskar och träd med en diameter på 3 cm eller större.
- För att undvika bakåtkast:
  - Använd röjsågen i segmentet mellan klockan 8 och 11.
  - Använd aldrig röjsågen i segmentet mellan klockan 12 och 2.
  - Använd aldrig röjsågen i segmentet mellan klockan 11 och 12 och mellan 2 och 5, såvida inte användaren är välutbildad och erfaren och gör det på egen risk.
  - Använd aldrig metallblad nära fasta föremål som till exempel staket, väggar, trädstammar och sten.
  - Använd aldrig metallblad vertikalt, till exempel för kantskärning och trimning av häckar.

## Vibration

- Personer med cirkulationsrubbingar som utsätts för kraftiga vibrationer kan drabbas av blodutgjutningar eller skador på nervsystemet. Vibrationer kan orsaka följande symptom i fingrar, händer och handleder: "Domningar" (stumhet), darrningar, smärtor, stickningar, färgförändringar i huden och hudförändringar. Uppsök läkare om du drabbas av något av dessa symptom!
- För att minska risken för "Raynauds sjukdom" ska du se till att dina händer är varma under användningen samt underhålla utrustningen och tillbehören väl.

## Underhållsanvisningar

- Låt din utrustning servas av ditt godkända servicecenter och alltid med äkta reservdelar. Felaktiga reparationer och dåligt underhåll kan förkorta utrustningens livslängd och öka risken för olyckor.
- Maskinens skick och i synnerhet skydden för skärverktyget samt axelremmen måste kontrolleras innan arbetet påbörjas. Särskild uppmärksamhet måste observeras för metallbladen vilka måste vara rätt slipade.
- Stäng av motorn och ta bort tändstiftets tändkabel vid utbyte eller slipning av skärverktygen, samt vid rengöring av röjsågen eller skärverktyget.





## Räta aldrig ut eller svetsa skadade skärverktyg.

- Var uppmärksam på miljön. Undvik att gasa för mycket för mindre utsläpp och buller. Justera förgasaren rätt.
- Rengör utrustningen regelbundet och kontrollera att alla skruvar och muttrar är ordentligt åtdragna.
- Serva aldrig och förvara aldrig utrustningen i närheten av öppen eld.
- Förvara alltid utrustningen i ett låst förvaringsutrymme och med tom bränsletank.
- Vid rengöring, service och förvaring av utrustningen ska alltid skyddet monteras på metallbladet.



läkta de tillämpliga olycksförebyggande anvisningarna utgivna av branschorganisationer och försäkringsbolag. Utför inga förändringar på utrustningen eftersom det innebär en säkerhetsrisk.

Inga andra underhållsåtgärder eller reparationsarbeten än de som beskrivs i denna bruksanvisning får utföras av användaren. Allt annat arbete ska utföras av en auktoriserad serviceverkstad. Använd endast originalreservdelar och -tillbehör från MAKITA. Användning av icke godkända tillbehör och verktyg medför olycksrisker. MAKITA kan inte hållas ansvarig för olyckor eller skador som orsakas genom användningen av icke godkända verktyg och reparation av skärverktygens enheter eller tillbehör.

## Första hjälpen

En första hjälpen-låda ska alltid finnas i närheten i händelse av eventuella olyckor. Se till att första hjälpen-lådan alltid hålls komplett.

## Om hjälp behöver påkallas ska följande information lämnas:

- Platsen för olyckan
- Vad som hänt
- Antal skadade personer
- Typ av skador
- Ditt namn



---

Gäller endast Europa

## EU-deklaration om överensstämmelse

Vi Makita Corporation som ansvarig tillverkare deklarerar härmed att följande maskin(er) från Makita:

Maskinbeteckning: Bensindriven röjsåg  
Modellnr./typ: EM4351UH, EM4350UH, EM4350LH  
Specifikationer: se tabellen "TEKNISK DATA"

ingår i serieproduktion och

**Uppfyller följande europeiska direktiv:**

2000/14/EU, 2006/42/EU

Och är tillverkade i enlighet med följande standarder eller standardiseringsdokument:

EN ISO 11806-1

Den tekniska dokumentationen förs av vår auktoriserade representant i Europa som är:

Makita International Europe Ltd.,  
Michigan Drive, Tongwell, Milton Keynes, Bucks MK15 8JD, England

Konformitetsgodkännandet som krävs av direktiv 2000/14/EU, var i överensstämmelse med Annex V.

EM4351UH:

Uppmätt ljudeffektnivå: 114,3 dB

Garanterad ljudeffektnivå: 116 dB

EM4350UH:

Uppmätt ljudeffektnivå: 113,8 dB

Garanterad ljudeffektnivå: 115 dB

EM4350LH:

Uppmätt ljudeffektnivå: 110,7 dB

Garanterad ljudeffektnivå: 112 dB

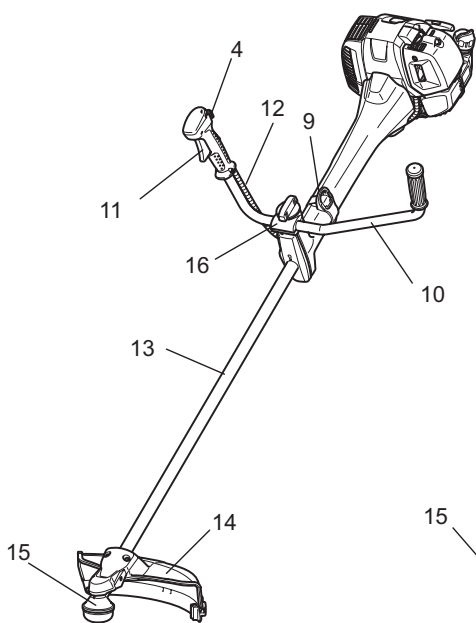
8. 9. 2011

Tomoyasu Kato  
Direktör  
Makita Corporation  
3-11-8, Sumiyoshi-cho,  
Anjo, Aichi, JAPAN

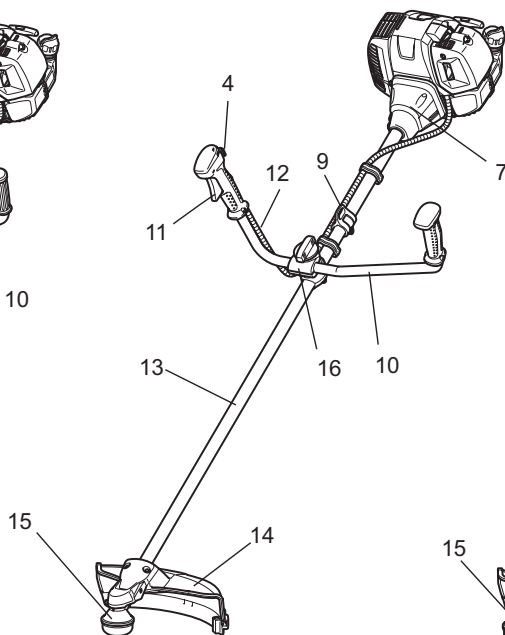
## TEKNISK DATA EM4351UH, EM4350UH, EM4350LH

Modell			EM4351UH	EM4350UH	EM4350LH				
Typ av handtag			Cykelhandtag	Cykelhandtag	Bygelhandtag				
Dimensioner: längd x bredd x höjd (utan skärverktyg)		mm	1 812 x 618 x 528	1 812 x 635 x 460	1 812 x 339 x 250				
Vikt (utan plastskydd och skärverktyg)		kg	8,6	8,3	7,9				
Volym (bränsletank)		l	0,6						
Volym (oljetank)		l	0,1						
Cylindervolym		cm <sup>3</sup>	43,0						
Maximal motoreffekt		kW	1,5 vid 7 500 min <sup>-1</sup>						
Motorvarvtal vid rekommenderat maximalt axelvarvtal		min <sup>-1</sup>	10 500						
Maximalt axelvarvtal (motsvarande)		min <sup>-1</sup>	7 200						
Tomgångsvarvtal		min <sup>-1</sup>	3 000						
Ingreppsvarvtal för koppling		min <sup>-1</sup>	4 000						
Förgasare			Membrantyp						
Tändsystem			Kontaktfritt, magnettyp						
Tändstift		typ	NGK CMR6A						
Elektrodavstånd		mm	0,7 - 0,8						
			SKÄRBLAD	TRIMMERHUVUD	SKÄRBLAD	TRIMMERHUVUD	SKÄRBLAD	TRIMMERHUVUD	
Vibrationer enligt ISO 22867	Höger handtag (Bakre grepp)	a <sub>hv eq</sub>	m/s <sup>2</sup>	2,2	2,5	3,1	4,0	4,2	2,6
		Mättolerans K	m/s <sup>2</sup>	0,5	0,3	0,5	0,7	1,1	0,7
	Vänster handtag (Framre grepp)	a <sub>hv eq</sub>	m/s <sup>2</sup>	1,7	2,6	4,8	5,0	3,8	3,7
		Mättolerans K	m/s <sup>2</sup>	0,5	1,3	2,9	0,6	1,0	1,4
Ljudtrycksnivå i genomsnitt enligt ISO 22868		L <sub>PA eq</sub>	dBA	92,4	99,8	91,2	99,1	92,8	94,9
		Mättolerans K	dBA	1,8	1,0	2,2	1,3	1,6	2,1
Ljudeffektnivå i genomsnitt enligt ISO 22868		L <sub>WA eq</sub>	dBA	101,8	114,3	103,1	113,8	103,4	107,7
		Mättolerans K	dBA	1,8	1,5	1,1	1,1	1,5	1,2
Bränsle			Motorbensin (bensin)						
Motorolja			API-kvalitet SF-klass eller högre, SAE 10W-30-olja (motorolja för 4-taktsmotor)						
Skärverktyg (skärblad diameter)		mm	305 (med tre blad)						
Kuggutväxling			13/19						

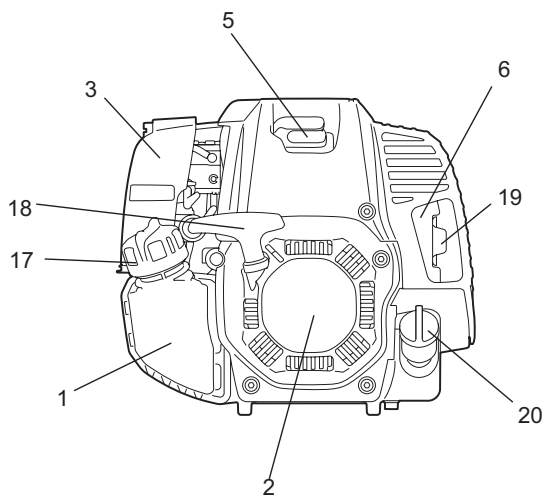
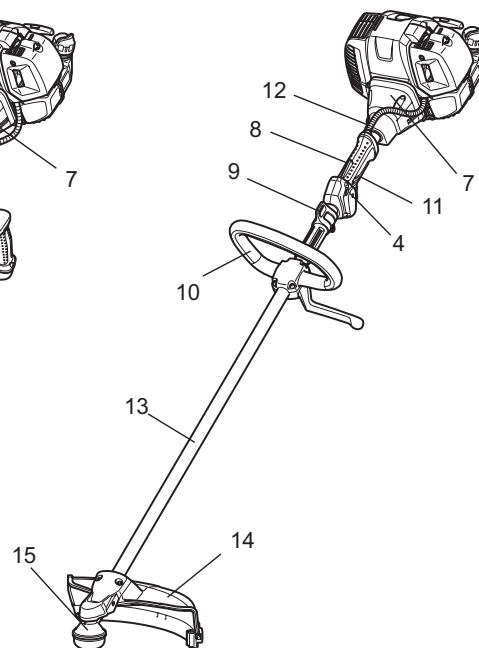
**EM4351UH**



**EM4350UH**



**EM4350LH**



S	DELAR
1	Bränsletank
2	Startsnöre
3	Luftrenare
4	I-O strömbrytare och gasreglagespär (på/av)
5	Tändstift
6	Ljuddämpare
7	Kopplingshus
8	Bakre grepp
9	Bygel
10	Handtag
11	Gasreglage
12	Kontrollreglage-kabel
13	Skaft
14	Skydd (Skydd för skärverktyg)
15	Växellåda/huvudkäpa
16	Handtagsfäste
17	Tanklock
18	Starthandtag
19	Avgasrör
20	Oljelock

## MONTERING AV HANDTAG

**FÖRSIKTIGHET:** Stoppa alltid motorn och dra loss tändkabeln från tändstiftet innan du utför någon form av arbete på utrustningen.

Använd alltid skyddshandskar!

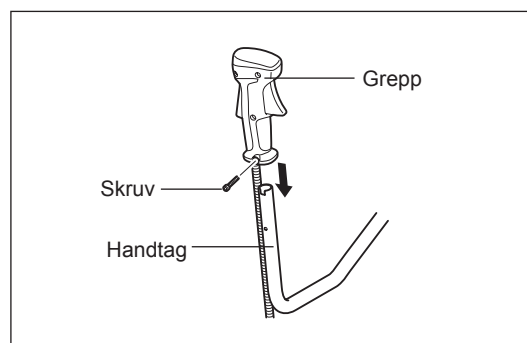
**FÖRSIKTIGHET:** Starta motorn endast när maskinen är helt färdigmonterad.

### För modell EM4351UH och EM4350UH

För in skaftet för handtaget i greppet så som visas.

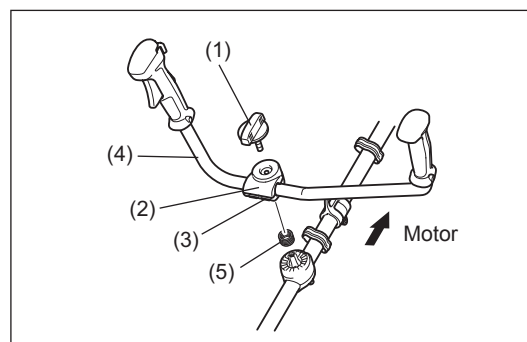
Rikta in skruvhålet i greppet med det i skaftet.

Dra åt skruven ordentligt.



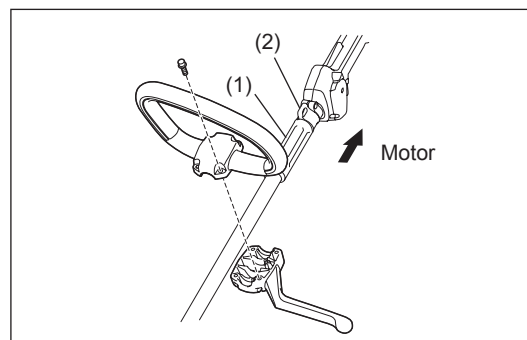
- Lossa vredet (1).
- Placera handtaget (4) mellan handtagsklämman (2) och handtagsfästet (3).
- Justera handtagets (4) vinkel så att du får ett bekvämt arbetsläge och fäst det sedan genom att ordentligt dra åt vredet (1) med handen.

**VARNING:** Glöm inte att montera fjädem (5).



### För modell EM4350LH

- Fäst bygelhandtaget på skaftet med fyra skruvar.
- Placera distansbrickan (1) mellan bygelhandtaget och bygeln (2) för att få rätt avstånd mellan greppen.



## MONTERING AV SKYDD

För att möta gällande säkerhetsbestämmelser, ska endast de kombinationer av verktyg och skydd som anges i tabellen användas.

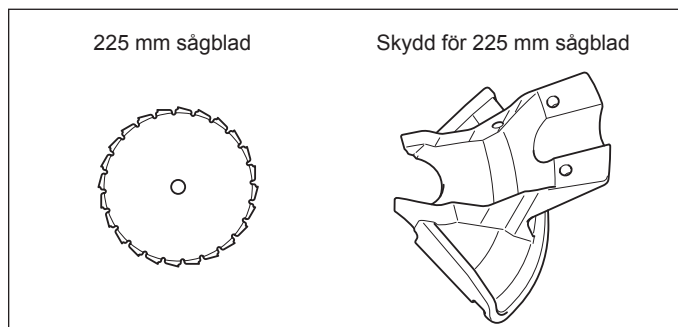
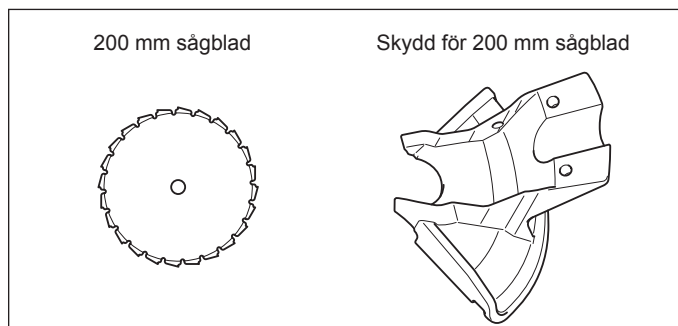
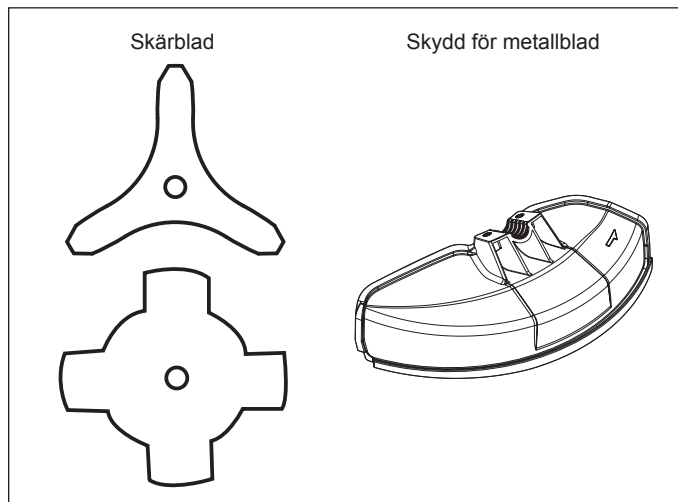


### Använd endast MAKITAs originalmetallblad (inklusive sågblad och skärblad) eller -trimmerhuvud.

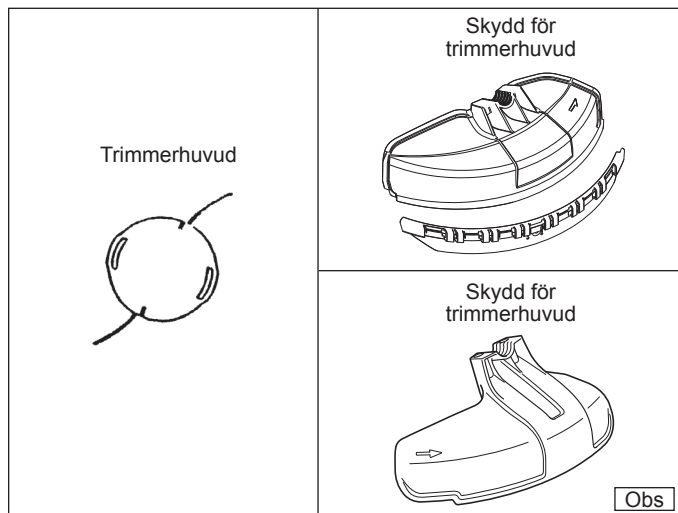
- Metallbladet måste vara ordentligt slipat och fri från sprickor eller brott. Stanna motorn och kontrollera metallbladet omedelbart om det slår emot en sten under arbetet.
- Slipa eller byt ut metallbladet var tredje arbetstimma.
- Stanna motorn och kontrollera trimmerhuvudet omedelbart om det slår emot en sten under arbetet.

**FÖRSIKTIGHET:** Rätt skydd ska alltid monteras för din egen säkerhet och för att uppfylla olycksförebyggande föreskrifter. Att arbeta med utrustningen utan att skyddet sitter på plats är inte tillåtet. Skärbladets ytterdiameter får vara högst 300 mm (12"). Använd aldrig ett blad vars ytterdiameter överskrider 300 mm (12"). Använd skyddet för 200 mm sågblad endast när 200 mm sågblad används. Använd skyddet för 225 mm sågblad endast när 225 mm sågblad används. Använd inte andra kombinationer med sågblad.

**OBS:** Standardkombinationen av skärverktyg varierar från land till land.



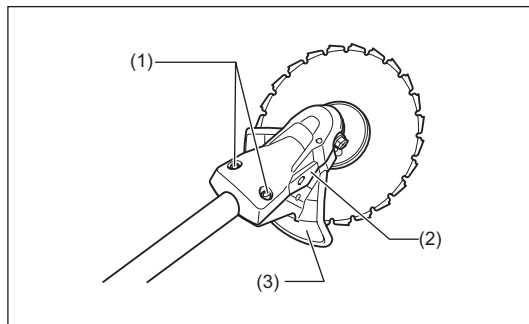
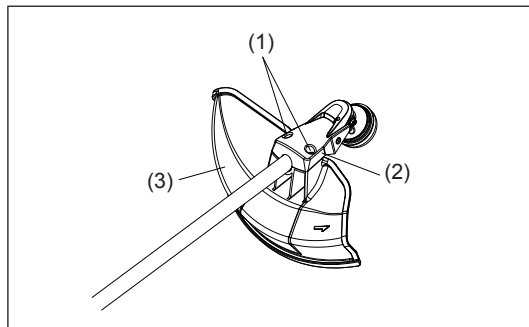
**OBS:** När detta skydd används på modell EM4350LH tillsammans med ett trimmerhuvud (B&F Z5L eller B&F Eco6L) ska en balansbricka (art.nr. 326755\*2) användas mellan brickan and trimmerhuvudet. (Se sidan 39 för information om montering.)



Obs

- När ett metallblad används ska skyddet (3) fästas på klämman (2) med två bultar (1).

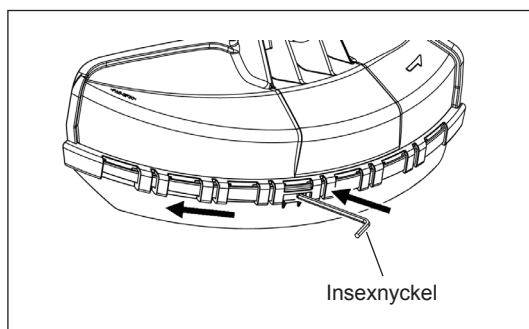
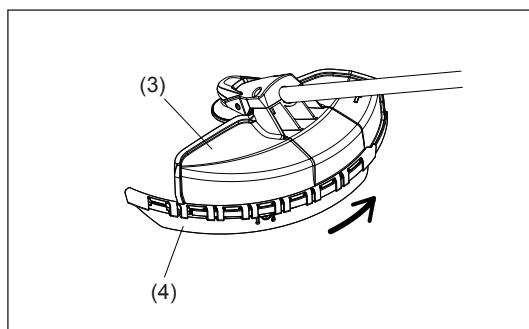
OBS: Dra åt den högra och den vänstra bulten jämnt så att gapet mellan klämman (2) och skyddet (3) är konstant, annars kan det hända att skyddet inte fungerar som angivits.



- Se till att montera nylontrådsskärarens skydd (4) på metallbladets skydd (3) när du ska använda nylontrådsskäraren.
- Montera nylontrådsskärarens skydd (4) genom att skjuta det på plats från sidan av metallbladets skydd (3), som visas i bilden.
- Ta bort tejp som sitter fast på skäraren för nylontråd som är placerad på nylontrådsskärarens skydd (4).

FÖRSIKTIGHET: Se till att trycka in nylontrådsskärarens skydd (4) tills det är helt isatt. Var försiktig så att du inte skadar dig själv på skärbladet som skär av nylontråden.

- För att ta bort nylontrådsskärarens skydd (4) sätter du en insexnyckel i skåran på metallbladets skydd (3) och trycker in den medan du skjuter ut nylontrådsskärarens skydd (4).



## MONTERING AV METALLBLAD ELLER TRIMMERHUVUD

### Använd endast MAKITAs originalmetallblad eller -trimmerhuvud.

- Metallbladet måste vara ordentligt slipat och fri från sprickor eller brott. Stanna motorn och kontrollera metallbladet omedelbart om det slår emot en sten under arbetet.
- Slipa eller byt ut metallbladet var tredje arbetstimma.
- Stanna motorn och kontrollera trimmerhuvudet omedelbart om det slår emot en sten under arbetet.

**FÖRSIKTIGHET:** Det avsedda skyddet måste alltid monteras för din egen säkerhet och för att uppfylla förebyggande olycksföreskrifter. Att arbeta med utrustningen utan att skyddet sitter på plats är inte tillåtet. Skärbladets ytterdiameter får vara högst 300 mm (12"). Använd aldrig ett blad vars ytterdiameter överskrider 300 mm (12").

Genom att vända maskinen upp och ner kan du lätt byta ut metallbladet eller trimmerhuvudet.

- Sätt i insexnyckeln genom hålet i växellådan och snurra brickan (4) tills den låser fast med insexnyckeln.
- Lossa muttern (1) (vänstergängad) med hylsnyckeln och ta bort muttern (1), stödkoppen (2) och låsbrickan (3).

### Montering av metallblad med insexnyckeln fortfarande på plats

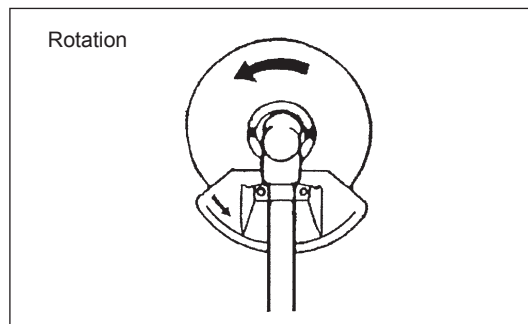
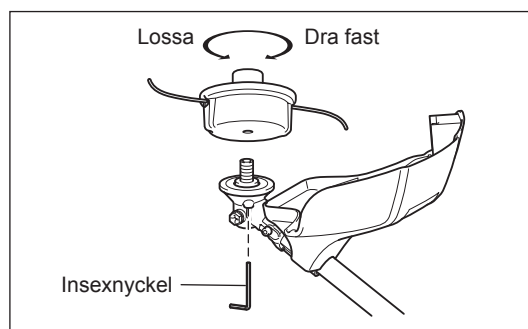
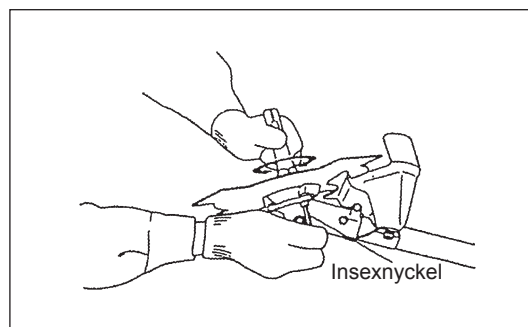
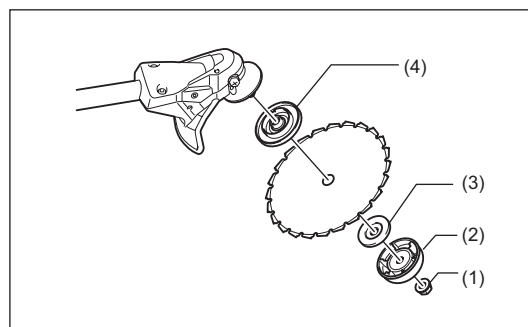
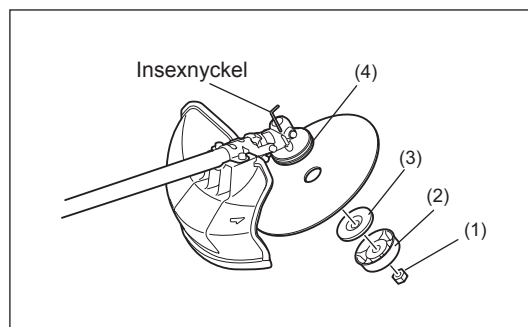
- Montera metallbladet på skaftet så att brickans styrstift (4) passar in i metallbladets axelhål. Montera klämbrickan (3), stödkoppen (2) och fäst metallbladet med muttern (1).  
[Åtdragningsmoment: 20 - 30 Nm]

OBS: Använd alltid handskar när du hanterar metallblad.

OBS: Metallbladets åtdragningsmutter (med fjäderbricka) är en förbrukningsartikel. Om det uppstår något slitage eller deformation på fjäderbrickan ska muttern bytas ut.

### Montering av trimmerhuvud

- Klämbrickan (3), stödkoppen (2) och muttern (1) är inte nödvändiga att använda vid monteringen av trimmerhuvudet. Trimmerhuvudet ska placeras ovanpå brickan (4).
- Sätt i insexnyckeln genom hålet i växellådan och snurra brickan (4) tills den låser fast med insexnyckeln.
- Skruva sedan på trimmerhuvudet på skaftet genom att vrida det moturs.
- Ta bort insexnyckeln.



## INNAN DU BÖRJAR ANVÄNDA MASKINEN

### Kontroll och påfyllning av motorolja

- Genomför följande procedur med kall motor.
- Se till att motorn är på en plan, horisontell yta och kontrollera att oljenivån är mellan oljeindikatorns undre och övre gräns.
- Om oljenivån är under den undre gränsen tar du bort oljelocket och fyller på olja.
- Området runt de utvändiga markeringarna är genomskinligt så mängden olja på insidan kan kontrolleras utan att oljelocket behöver tas bort. Om oljeröret blir extremt smutsigt går det kanske inte att se och oljenivån måste då kontrolleras mot den graderade sektionen på insidan av oljeröret.
- Du kan behöva fylla på olja cirka var 10:e driftstimme (var 10:e påfyllning av bränsle).  
Gör ett oljebyte om oljan ändrar färg eller är smutsig. (Intervall och metod för byte finns på sid. 50.)

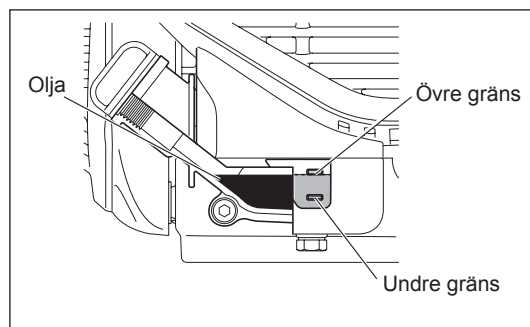
**Rekommenderad olja:** SAE 10W-30 enligt API-klassificering, klass SF eller högre (4-takts bilmotor)

**Oljevolym:** Cirka 0,10 l

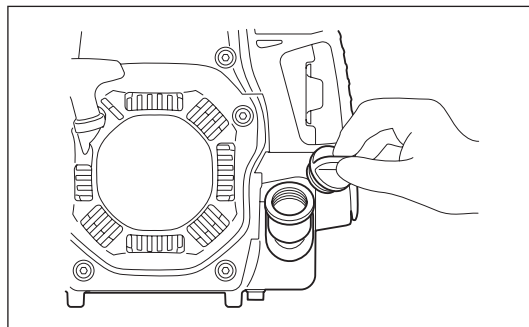
OBS: Om motorn inte placeras så som visas på en vågrät yta, kan oljeindikeringen visa felaktig nivå och du kan fylla på för mycket olja. Om du fyller på olja så nivån är ovanför den övre gränsen kan oljespill och/eller vit rök uppstå.

### Byta ut olja: "Oljelock"

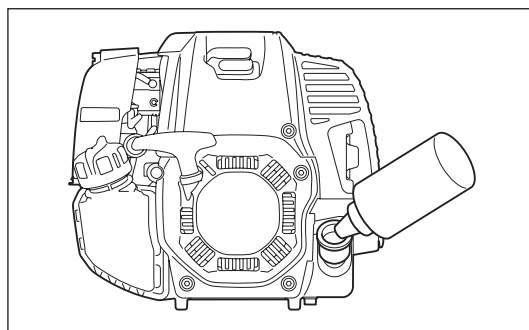
- Torka rent runt oljepåfyllningshålet och ta bort oljelocket.
- Se till att oljelocket inte smutsas ner med sand eller damm. Sand och damm som fastnar på oljelocket kan störa oljecirkulationen eller orsaka förslitningar på motordelar vilket resulterar i problem.



(1) Håll motorn plant och ta bort oljelocket.



(2) Fyll på olja upp till den övre gränsmarkeringen.  
Använd en oljekanna vid påfyllning.



(3) Fäst oljelocket ordentligt. Felaktig fastsättning kan orsaka oljeläckage.



### Obs:

- Byt inte ut oljan med motorn i lutande läge.
- I så fall kan det leda till att för mycket olja fylls på vilket orsakar oljenedsmutsning och/eller vit rök.

### Efter påfyllning av olja

- Torka omedelbart av all utspilld olja med en trasa.

## TANKNING

### Hantering av bränsle

Det är nödvändigt att hantera bränslet med största försiktighet. Bränsle kan innehålla ämnen liknande lösningsmedel. Påfyllning måste ske i ett väl ventilerat rum eller utomhus. Andas aldrig in bränsleångor och håll bränslet på avstånd. Om huden kommer i kontakt med bränslet upprepade gånger eller under lång tid, blir huden torr vilket kan orsaka hudsjukdomar eller allergi. Om bränsle kommer in i ögonen ska de rengöras med rent vatten. Om ögonen fortfarande är irriterade efter rengöringen, ska en läkare kontaktas.

### Förvaringsperiod för bränsle

Bränslet ska användas inom 4 veckor även om det förvaras i en specialbehållare i ett välventilerat, mörkt utrymme. I annat fall kan bränslet förstöras på en enda dag.

### FÖRVARING AV MASKIN OCH RESERVDUNK

- Förvara maskinen och reservdunken på en sval plats utan direkt solljus.
- Förvara aldrig bränslet i bilen.

### Bränsle

Motorn är en fyrtaktsmotor. Se till att använda blyfri bilbensin på minst 87 oktan ((R+M)/2). Den får innehålla högst 10 % etanol (E-10).

### Viktigt om bränsle

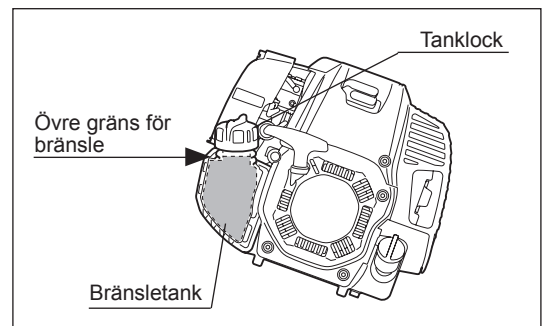
- Använd aldrig en bensinblandning som innehåller motorolja. Det kan leda till sotbildning och mekaniska fel.
- Om du använder gammal olja kan det orsaka startproblem.

### Tankning

**VARNING: Stäng av motorn före påfyllning och se till att ingen öppen eld finns i närheten, och rök inte.**

- Lossa tanklocket lite för att lätta på tanktrycket.
- Ta bort tanklocket och tanka. Släpp ut luft genom att luta bränsletanken så att tankhålet är riktat uppåt. Fyll INTE på bränsle till toppen på tanken.
- Torka av utsidan tanklocket för att förhindra att främmande partiklar kommer in i bränsletanken.
- Skruva fast tanklocket ordentligt när du har tankat.

- Byt ut tanklocket om det har någon spricka eller om det är skadat.
- Tanklocket slits ut med tiden. Byt ut det vartannat eller vart tredje år.
- Håll INTE bränsle i oljepåfyllningsöppningen.



## KORREKT HANTERING AV MASKINEN

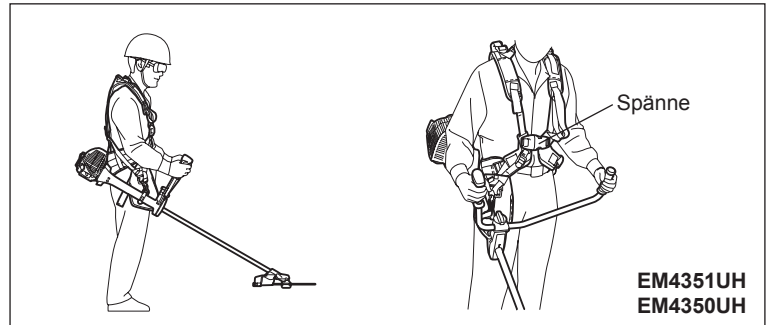
### Fastsättning av sele

- Justera remlängden så att metallbladet hålls parallellt med marken.

### För EM4351UH, EM4350UH

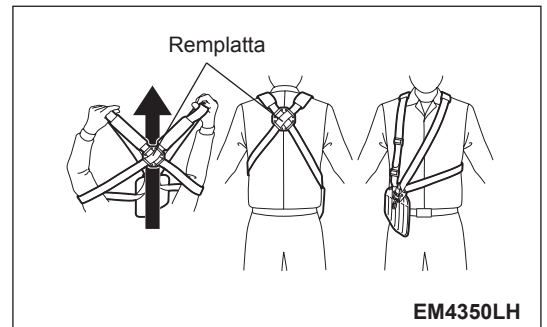
Håll selen på ryggen och fäst den med spännet, justera längden på remmarna.

OBS: Var försiktig så att inte kläder och dylikt fastnar i spännet.



### För EM4350LH

- 1) Stå med remplattan nära dig. Trä armar och huvud genom remmarna.
- 2) Remplattan ska sitta på ryggen och justeringarna och hakarna ska finnas på din högra sida när du bär selen på rätt sätt.

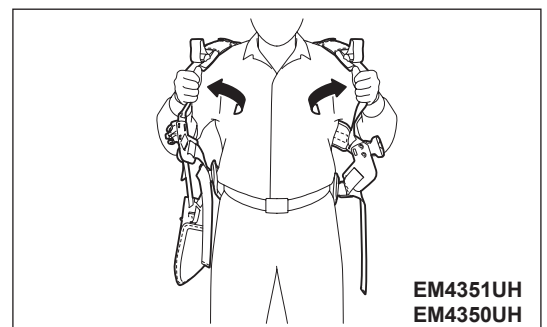
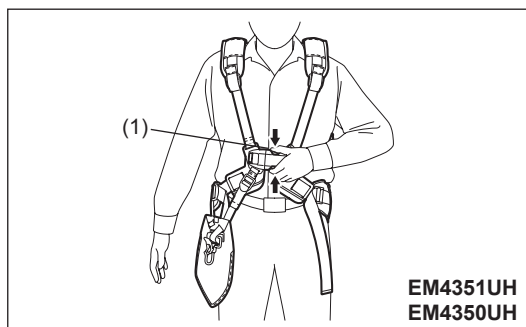


### Lossa maskinen

#### För EM4351UH, EM4350UH

- Om du vill lossa maskinen ska du trycka på spännets (1) sidor och ta av axelremmen. Var extremt noga med att behålla kontrollen över maskinen när du gör detta. Låt inte maskinen böjas mot dig eller mot någon annan i närheten av arbetsområdet.

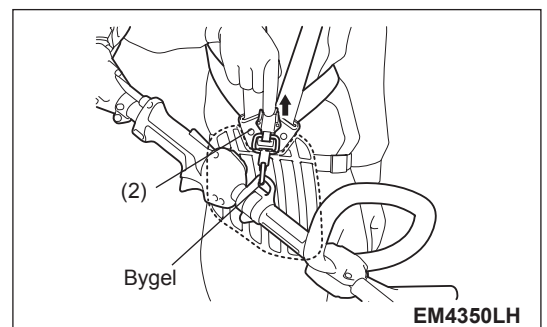
**WARNING:** Om du inte lyckas behålla full kontroll över maskinen kan det medföra allvarlig kroppsskada eller DÖD.



### För EM4350LH

- Om du vill lossa maskinen ska du frigöra nödlossningsspaken (2) genom att dra starkt i den med fingrarna. Var extremt noga med att behålla kontrollen över maskinen när du gör detta. Låt inte maskinen böjas mot dig eller mot någon annan i närheten av arbetsområdet.

**WARNING:** Om du inte lyckas behålla full kontroll över maskinen kan det medföra allvarlig kroppsskada eller DÖD.



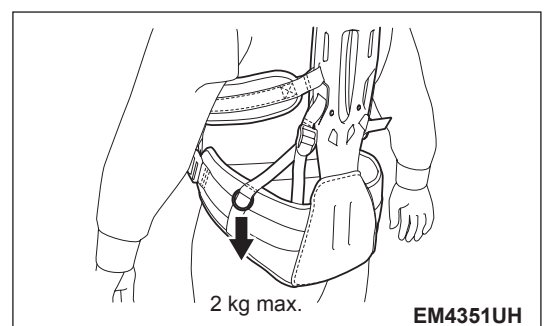
### Upphångningsring

#### För EM4351UH

- Du kan använda ringen för att hänga något som väger högst 2 kg (4,4 lbs).

**OBSERVERA:** Häng ingenting som väger mer än 2 kg (4,4 lbs) på ringen. Allt som väger mer på ringen kan göra att det blir fel och att föremålet kan skadas.

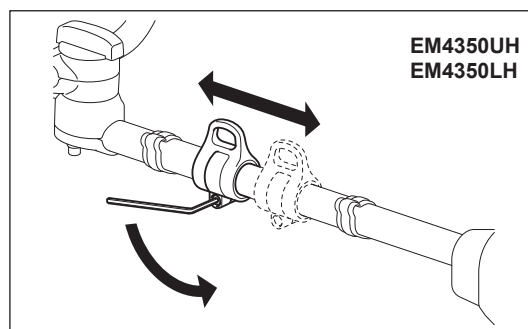
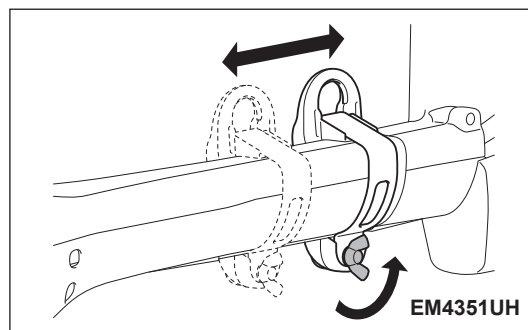
**FÖRSIKTIGHET:** Häng inget på ringen som kan trassla in sig med buskar och sly. Trassel kan orsaka obalans och förlust av kontroll vilket kan medföra personskada.



## Justering av viktbalans

Maskinens viktbalans kan justeras genom att ändra läget för bygeln, framåt eller bakåt.

Justera skärverktyget till lämplig höjd för arbetet som ska utföras.



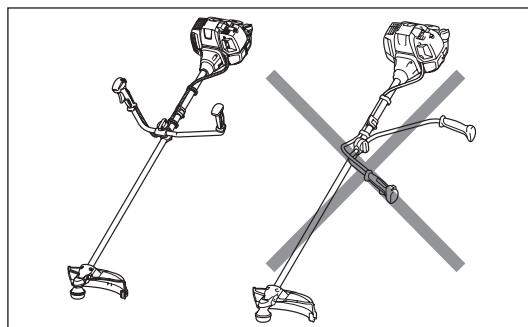
## VIKTIGT VID ANVÄNDNING OCH HUR DU STOPPAR MASKINEN

Observera gällande föreskrifter för förebyggande av olyckor!



Innan motorn startas ska du ställa in handtaget i rätt position.

I annat fall kan skärverktyget plötsligt vridas och orsaka skada eftersom gasvajern kan dras eller böjas och öppna gasspjället.

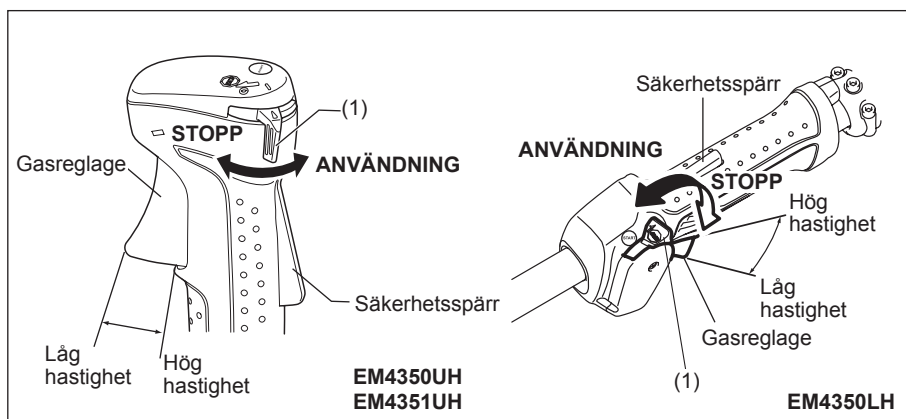


### STARTA

Flytta dig minst 3 m bort från platsen för påfyllning. Placera enheten på marken och var försiktig så att skärverktyget inte kommer i kontakt med marken eller något annat föremål.

#### A: Kallstart

- 1) Placera maskinen på en plan yta.
- 2) Ställ in I-O strömbrytaren (1) i läget för användning.

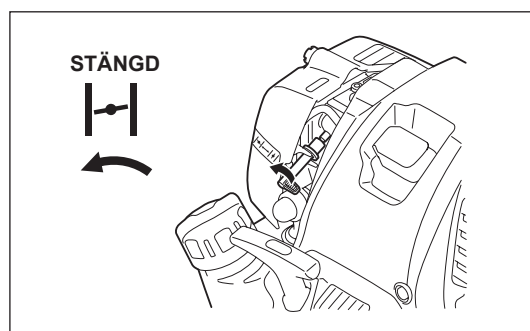


- 3) Chokereglage

Stäng chokereglaget.

Chokeöppning:

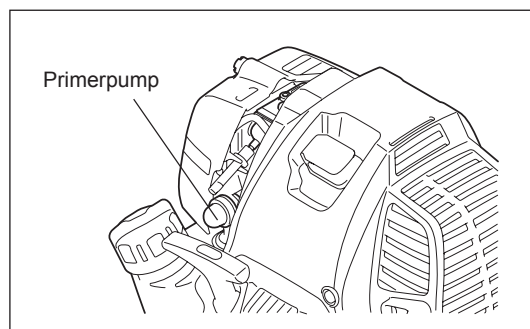
- Helt stängd i kyla eller när motorn är kall.
- Helt öppen eller halvöppen om motorn är lite varm, t.ex. vid omstart av motorn direkt efter stopp under uppvärmning.



- 4) Primerpump

Fortsätt att trycka på primerpumpen tills bränslet kommer in i primerpumpen. (Vanligtvis 7 till 10 tryckningar.)

Om du tryckte för många gånger på primerpumpen går bensiöverskottet tillbaka till bränsletanken.



## 5) Startsnöre

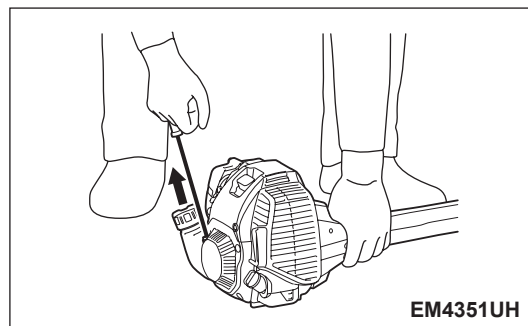
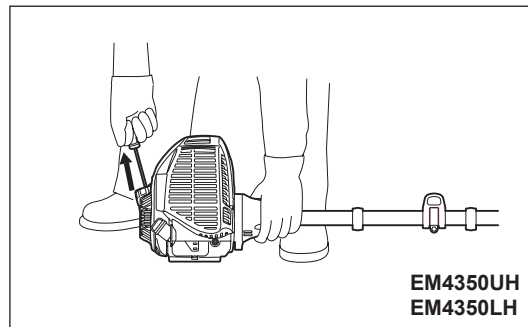
Se till att du står stadigt. Håll i enheten med vänster hand och tryck den ned stadigt.

**FÖRSIKTIGHET:** Stå inte och ligg inte på knä på gaskabeln. Den interna vajern kan bli dragen och skärverktyget kan börja rotera oavsiktligt.

Öppna inte gasreglaget.

Dra varsamt i starthandtaget tills du känner ett visst motstånd. För sedan tillbaka starthandtaget och dra i det hårt.

Dra aldrig ut startsnöret helt. Släpp inte starthandtaget genast när du har dragit det. Håll i det tills det återgått till sitt ursprungliga läge.



## 6) Chokereglage

När motorn startat ska du ställa chokereglaget i öppet läge.

– Öppna chokereglaget gradvis medan du kontrollerar motorgången. Se till att öppna chokereglaget helt mot slutet.

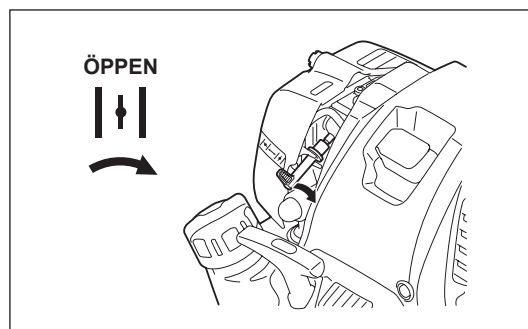
– I kyla eller när motorn har svalnat ska du aldrig dra plötsligt i chokereglaget. I annat fall kan motorn stanna.

## 7) Värm upp den på rätt sätt

Fortsätt uppvärmningen under 2 - 3 minuter.

**OBSERVERA: Dra inte i onödan i gasreglaget om motorn inte är igång.**

Det kan orsaka bränsleläckage från luftrenaren. Om detta sker ska du torka bort bränslet som läckt. Öppna även luftrenarkåpan och rengör elementet och luftrenarplåten.



OBS:

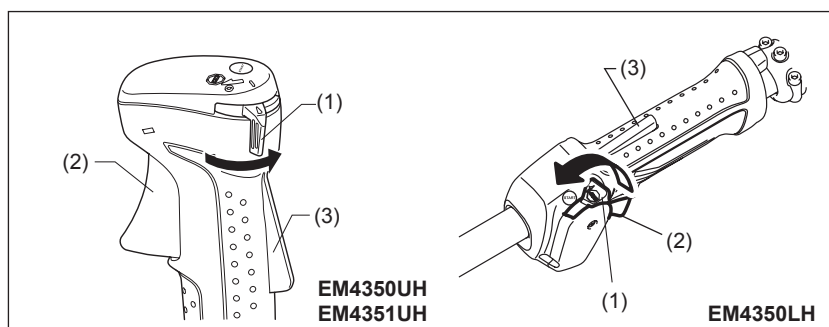
- Dra inte i onödan i gasreglaget om motorn inte är igång. Det kan göra att bränsle flödar motorn och kan göra motorn svårstartad.
- Vid för stor bränsletillförsel ska du ta bort tändstiftet och sakta dra i starthandtaget för att ta bort överskottsbränslet. Torka också av tändstiftets elektrod.
- Om motorn tänds och stannar, eller stannar kort efter start, ska du ställa chokereglaget i öppet läge och dra i starthandtaget några gånger igen för att starta motorn.
- Om chokereglaget lämnas i stängt läge och starthandtaget dras i upprepade gånger, sugs för mycket bränsle in och motorn blir svårstartad.
- Rusa inte motorn i onödan under uppvärmning.

## B: Varmstart

- 1) Se till att chokereglaget är helt öppet.
- 2) Tryck upprepade gånger på primerpumpen.
- 3) Håll gasreglaget i tomgångsläget.
- 4) Dra hårt i startsnöret.
- 5) Om motorn är svårstartad, släpp säkerhetsspärr (3), dra gasreglaget (2), och flytta I-O strömbrytaren (1) till läget för spärrat gasreglage. Samtidigt som du håller i I-O strömbrytaren (1) ska du släppa gasreglaget (2) och säkerhetsspärr (3). Dra därefter i starthandtaget.

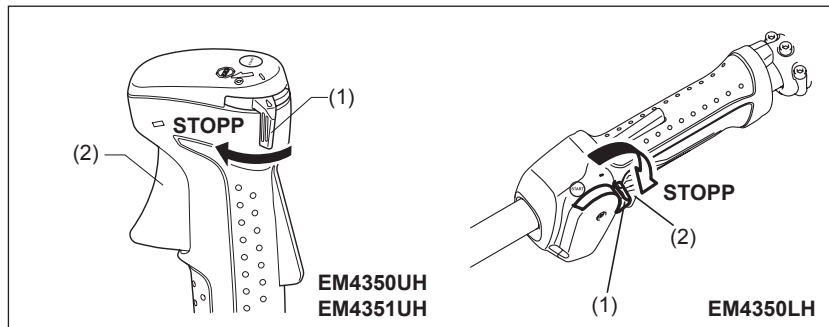
**WARNING:** Var uppmärksam på att skärverktyget roterar omedelbart.

- 6) När motorn startar ska du släppa säkerhetsspärr (3), dra i gasreglaget (2) och släppa dem för att motorn ska gå på tomgång.



## STOPPA

- 1) Släpp gasreglaget (2) helt och när motorns varvtal har gått ner ska du ställa I-O strömbrytaren (1) i STOP-läget och motorn stoppar.
- 2) Skärverktyget fortsätter att rotera ett tag efter att motorn har stoppat. Vänta tills den har stoppat helt.

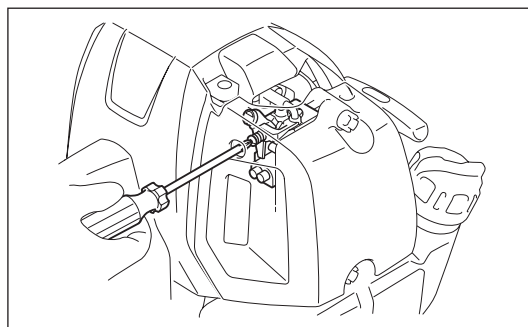


## TOMGÅNGJUSTERING

När tomgången behöver justeras ska det utföras med förgasarens inställningsskruv.

### KONTROLL AV TOMGÅNG

- Ställ tomgången på 3 000 min<sup>-1</sup>. Om du behöver ändra tomgången ska du använda en skruvmejsel med Phillips huvud på skruven som visas till höger.
- Om du vill öka tomgången ska justeringsskruven vridas medurs. Om du vill sänka tomgången ska justeringsskruven vridas moturs.
- Förgasaren justeras på fabriken. Efter många användningar behöver emellertid tomgången justeras.

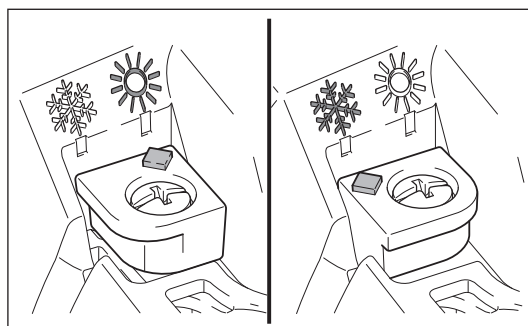
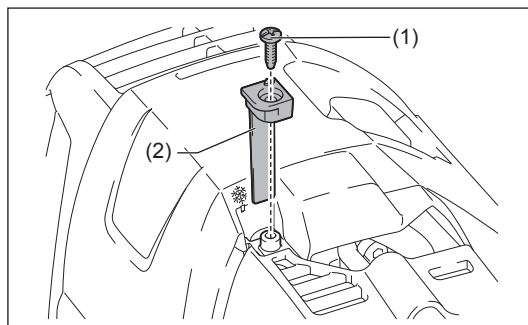


## FÖRHINDRA FÖRGASARISNING

**FÖRSIKTIGHET:** När omgivningstemperaturen är högre än 10°C, ska man alltid återställa spjället till det normala läget (solmarkering). I annat fall kan motorn skadas av överhettning.

När omgivningstemperaturen är låg och fuktigheten hög kan vattenångor frysa inuti förgasaren och motorn går ojämnt (förgasarisning). Ändra vid behov spjällets inställning.

1. Ta bort skruven (1).
2. Ändra spjällets (2) riktning enligt följande:
  - Omgivningstemperaturen är högre än 10°C: Placera spjället i normalt läge (solmarkering).
  - Omgivningstemperaturen är lika med eller lägre än 10°C: Placera spjället i frostskyddsläge (snömarkering).
3. Dra åt skruven.

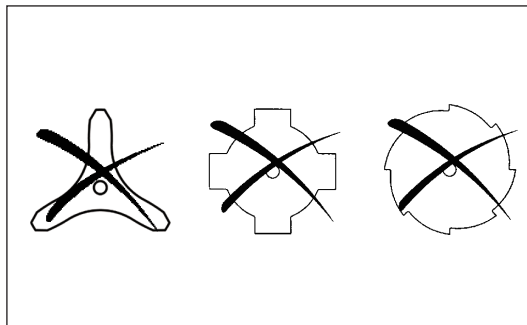


## OMSLIPNING AV SKÄRVERKTYGET



**FÖRSIKTIGHET:** Skärverktygen som visas i bilden ska inte slipas. Om skärverktygen slipas om manuellt medför det obalans vilket leder till vibrationer och skada på utrustningen.

**OBS:** Om du vill förlänga skärbladets livslängd kan det vändas en gång tills båda skärkanterna har blivit slöa.



### TRIMMERHUVUD

Trimmerhuvudet har en dubbelfunktion med stöt- och matarmekanism. Trimmerhuvudet matar ut passande nylontrådslängd efter att du har knackat det mot marken, genom ändringar i centrifugalkraften som orsakas av att varvtalet ökas eller minskas.

### Användning

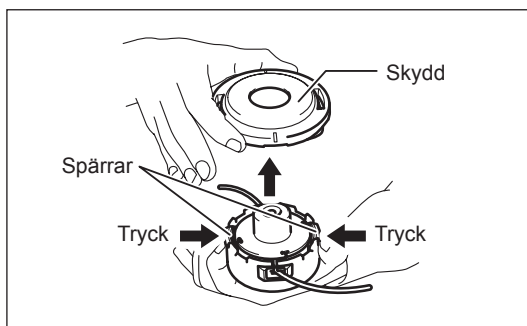
- Öka trimmerhuvudets hastighet till ungefär 6 000 min<sup>-1</sup>. Stöt trimmerhuvudet lätt mot marken.
- Det mest effektiva skärområdet visas som skuggat.
- Om nylontråden inte matas ut ska du vira upp/byt ut nylontråden genom att följa procedurerna som beskrivs i avsnittet "Byta ut nylontråden".



### Byta ut nylontråden (STÖTA OCH MATA)

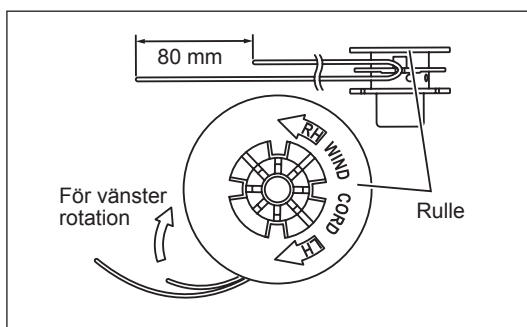
**VARNING:** Se till att skyddet på trimmerhuvudet är ordentligt fäst på kåpan, såsom beskrivs nedan. I annat fall kan trimmerhuvudet flyga isär och orsaka allvarlig personskada.

Tryck kåpans spärrar inåt och lyft uppåt för att ta bort skyddet. Kasta den nylontråd som finns kvar.

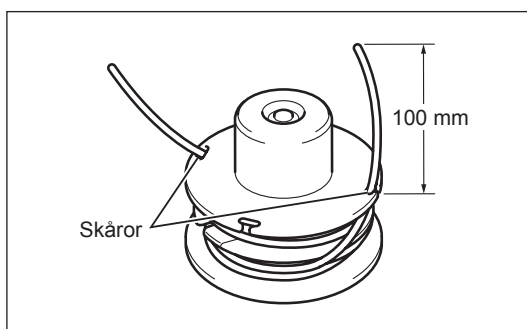


Haka fast mitten av den nya nylontråden i skåran i centrum av rullen mellan de två kanalerna som är avsedda för nylontråden. Den ena trådänden ska vara cirka 80 mm längre än den andra änden.

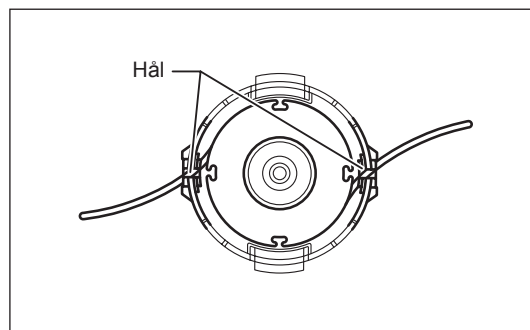
Linda upp båda ändarna stadigt runt rullen i den riktning som är markerad på huvudet för vänster rotation, indikerat med LH.



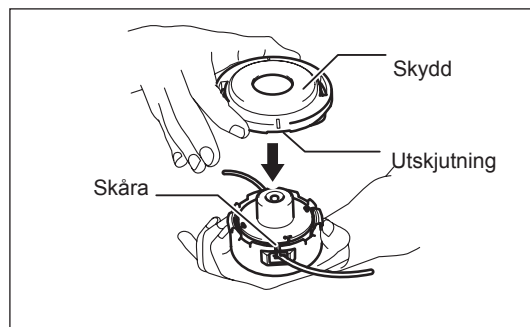
Linda upp allt utom 100 mm av trådarna och lämna tillfälligt ändarna fasthakade i en skåra på rullens sida.



Montera rullen i kåpan så att spåren och de utskjutande delarna på rullen passar in med de i kåpan. Håll den sida av rullen med bokstäver synlig uppåt. Lossa nu trådändarna från dess tillfälliga placering och mata trådarna genom de små hålen så att de kommer ut genom kåpan.

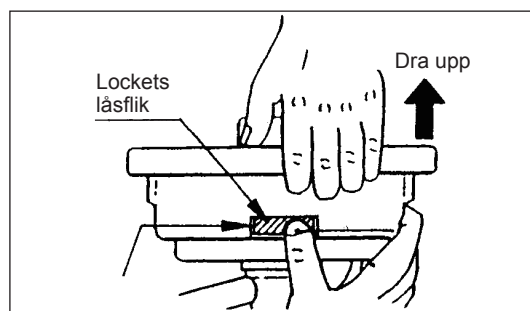


Rikta in den utskjutande delen på undersidan av skyddet med skärorna i hålen. Tryck sedan på skyddet ordentligt på kåpan för att fästa det. Kontrollera så att spärrarna sprids helt i skyddet.

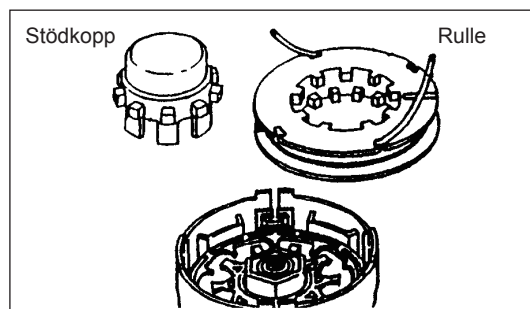


### Byta ut nylontråden (ULTRA AUTO)

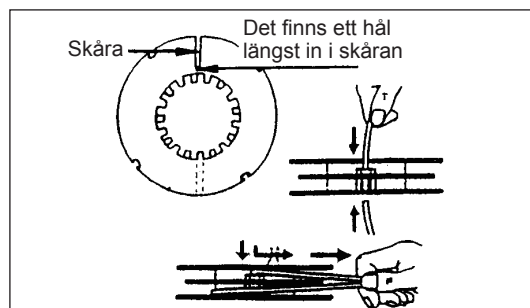
1. Ta av locket på kåpan genom att trycka in locket två låsflikar som är placerade mitt emot varandra på kåpan.



2. Ta bort stödkoppen och rullen från kåpan.

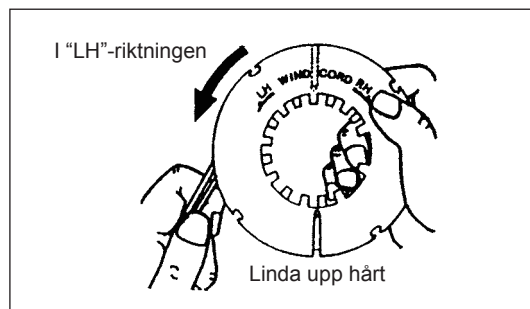


3. Trä i var och en av de två ändar av skärtråden i vardera hål, längst in i skåran på en av rullens yttre flänsar. Placera trådarna i rullens mellanrum genom varje skåra på flänsarna.

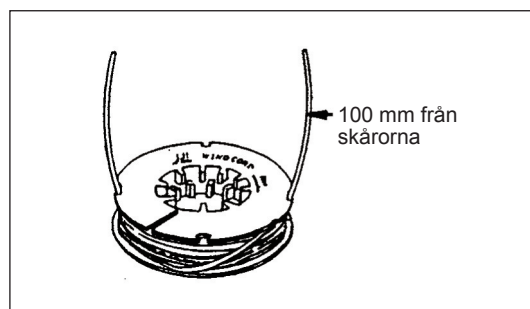




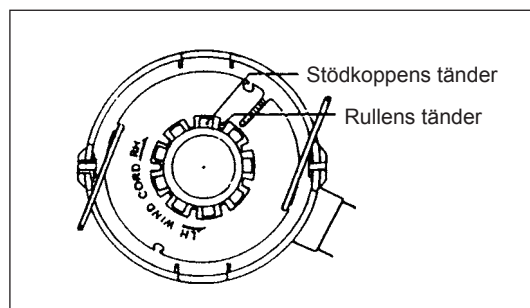
4. Rulla upp trådarna hårt i vänster (LH) pilriktning på flänsen. Korså inte trådarna.



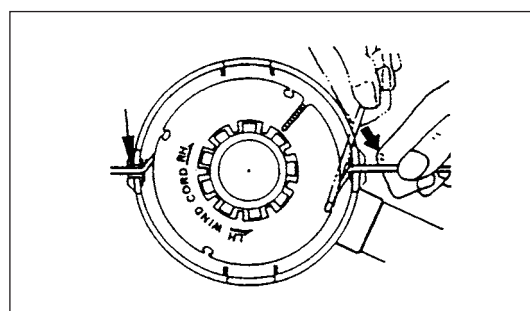
5. Linda upp allt utom 100 mm (3-15/16") av trådarna och lämna tillfälligt ändarna fasthakade i en skåra på rullens sida.



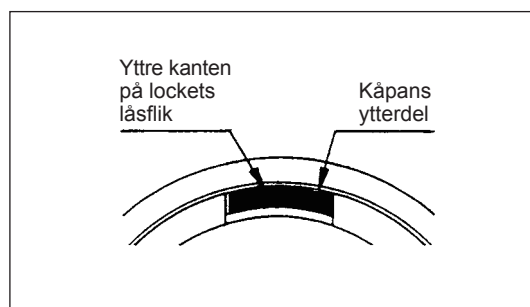
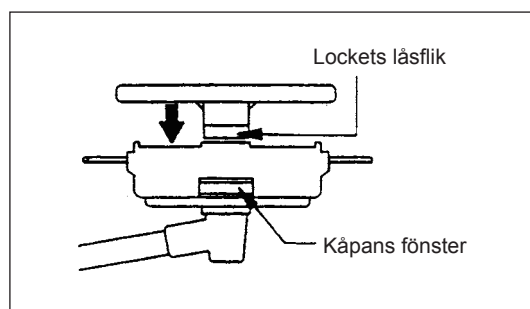
6. Sätt stödkoppen i kåpan och placera den så att den kan röra sig fritt upp och ner mot fjäderspänningen. Sätt i rullen i kåpan och linjera tänderna i rullen och stödkoppen växelvis som kugghjul.



7. För skärtrådarna genom skåroarna.



8. Sätt på locket på kåpan och rikta in flikarna på locket med kåpanns fönster. Se till att locket är ordentligt fäst på kåpan. Ytterkanten på lockets låsflik och ytterdelen på kåpan ska vara på samma avstånd.



## SERVICEANVISNINGAR

**FÖRSIKTIGHET:** Stanna alltid motorn och dra loss tändhatten från tändstiftet (se avsnittet "Kontrollera tändstiftet") innan du utför någon form av arbete på utrustningen.  
Använd alltid skyddshandskar!

Följande servicearbeten ska utföras regelbundet för att försäkra en lång livslängd och för att undvika skada på utrustningen.

### Daglig kontroll och underhåll

- Kontrollera maskinen så att det inte finns några lösa skruvar eller att det saknas delar innan du börjar använda den. Var särskilt uppmärksam på åtdragningen av metallbladet eller trimmerhuvudet.
- Kontrollera alltid så att luftkylningspassagen och cylinderns flänsar inte är igensatta. Rengör dem vid behov.
- Utför följande arbete dagligen efter användning:
  - Rengör utrustningens utsida och kontrollera om skador har uppstått.
  - Rengör luftfiltret. Rengör det flera gånger per dag när du arbetar under extremt dammiga förhållanden.
  - Kontrollera bladet eller trimmerhuvudet så att det inte finns några skador på dem och se till att det är säkert monterat.
  - Kontrollera så att det finns en tillräcklig skillnad mellan tomgångskörning och startvarvtal för att försäkra att skärverktyget är stillastående medan motorn går på tomgång (minska tomgångsvarvtalet om det är nödvändigt). Kontakta din närmaste auktoriserade serviceverkstad om verktyget under tomgångskörningen fortfarande snurrar.
- Kontrollera funktionen för I-O strömbrytaren, säkerhetsspaken, gasreglaget och spärrknappen.

### BYTE AV MOTOROLJA

Gammal motorolja förkortar motorns livslängd. Se till att regelbundet kontrollera oljan och nivån.



**WARNING:** Motorn och motoroljan är fortfarande varma direkt efter att motorn har stoppats. Låt motorn och motoroljan svalna under tillräckligt lång tid. I annat fall kan de ge brännskador.

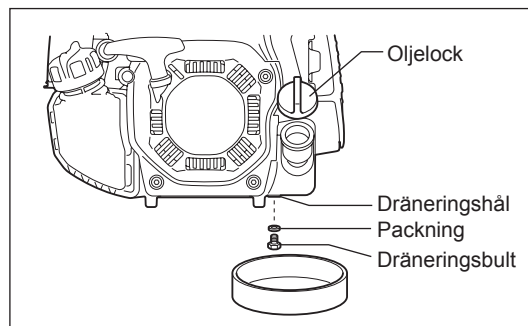
**OBS:** Om du fyller på för mycket olja kan oljan bli nedsmutsad eller börja brinna med vit rök. Vänta tillräckligt länge efter att motorn har stoppats för att motoroljan ska hinna återföras till oljetanken och ge rätt avläsning av oljenivån.

**Intervall för oljebyte:** Efter de första 20 driftstimmarna, följt av var 50:e driftstimme.

**Rekommenderad olja:** SAE 10W - 30 enligt API-klassificering, klass SF eller högre (4-takts bilmotor)

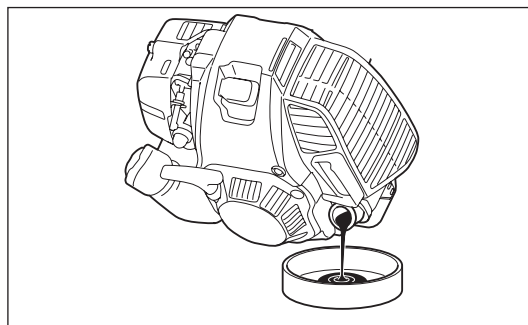
Utför oljebytet på följande sätt.

- 1) Se till att tanklocket är ordentligt åtskruvat.
- 2) Placera en stor behållare (skål etc.) under dräneringshålet.
- 3) Ta bort dräneringsbulten och sedan oljelocket för att tömma ut oljan genom dräneringshålet.  
Se till att du inte förlorar dräneringsbultens packning eller smutsa ner någon av de borttagna komponenterna.
- 4) När all olja har tömts ut ska packningen och dräneringsbulten sättas tillbaka, och dräneringsbulten ska dras åt så att den inte lossar och orsakar läckage.  
[Åtdragningsmoment: 5 Nm]  
\* Använd en tygtrasa för att torka bort all olja från bulten och utrustningen.



#### Alternativ dräneringsmetod

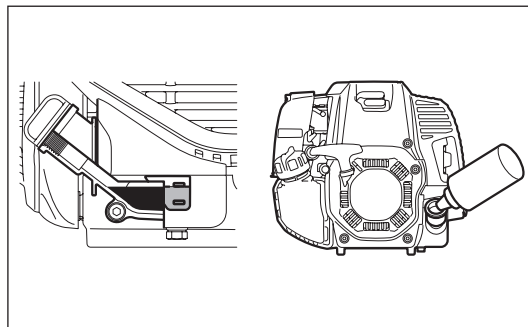
Ta bort oljelocket, luta utrustningen mot oljepåfyllningshålet och töm ut oljan. Samla upp oljan i behållaren.



- 5) Placera motorn plant och fyll gradvis på med ny olja upp till den övre gränsmarkeringen.
- 6) Efter påfyllningen skruvar du åt oljelocket ordentligt så att det inte lossar och orsakar läckage. Om oljelocket inte är ordentligt fastskruvat kan det läcka.

### VIKTIGT OM OLJA

- Kasta aldrig motorolja i soptunnan, på marken eller i avloppet. Det finns föreskrifter för avfallshandling av olja. Följ alltid gällande regelverk vid bortskaffande av olja. Kontakta en auktoriserad serviceverkstad vid tveksamheter.
- Olja åldras även om den inte används. Genomför regelbundna kontroller och oljebyten (byt olja var 6:e månad).



### RENGÖRING AV LUFTRENARE



**WARNING: Stäng av motorn, se till att ingen öppen eld finns i närheten och rök inte.**

**Rengörings- och inspektionsintervall: dagligen (var 10:e driftimme)**

- Stäng chokereglaget helt och håll förgasaren borta från damm och smuts.

#### Ta bort luftrenarskyddet

- Lossa två fästbultar (1).
- Dra och ta bort luftrenarskyddet (2).

#### Rengöra filter

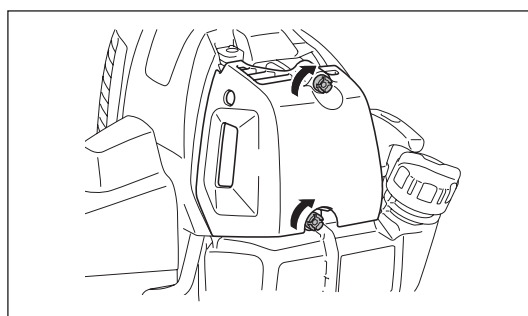
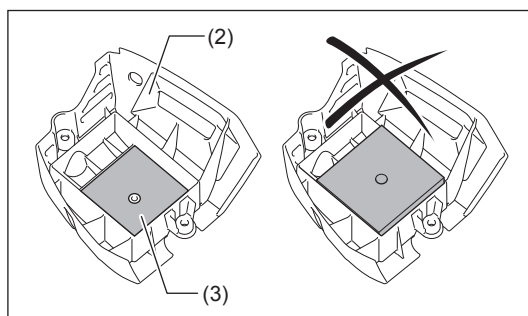
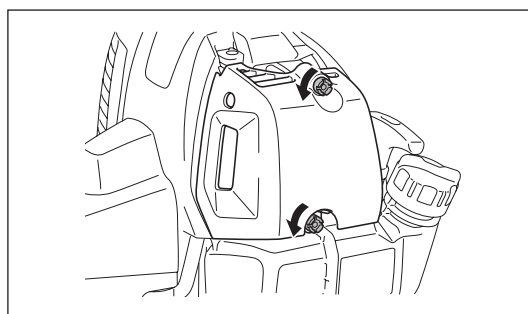
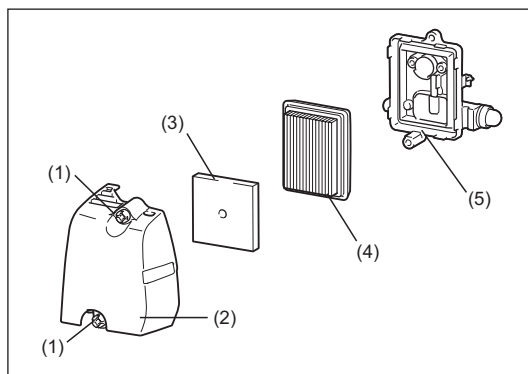
- Ta bort filtren (3, 4) och knacka på dem för att ta bort smuts.
- Om filtren är mycket smutsiga:
  - 1) Ta bort filtret (skumgummi) (3) och skölj det i varmt vatten eller i svag diskmedelslösning och låt det torka. Pressa inte ihop det och gnid det inte vid rengöring.
  - 2) Rengör filtret (papper) (4) genom att knacka det försiktigt. Om du kan använda en tryckluftspistol, ska du blåsa tryckluften mot insidan av filtret (papper). Tvätta inte filtret (papper).
- Innan du sätter tillbaka filtret (skumgummi) måste det vara ordentligt torrt. Ett filter (skumgummi) som inte är helt torrt kan medföra startsvårigheter.
- Torka bort oljerester runt luftrenarskyddet och separationsplåten (5) med en trasa.

#### Sätta fast luftrenarskyddet

- Passa in filtret (skumgummi) i det andra filtret (papper). För in filtret (skumgummi) hela vägen in i luftrenarskyddet.
- Dra åt luftrenarskyddet med två fästbultar.

### OBSERVERA:

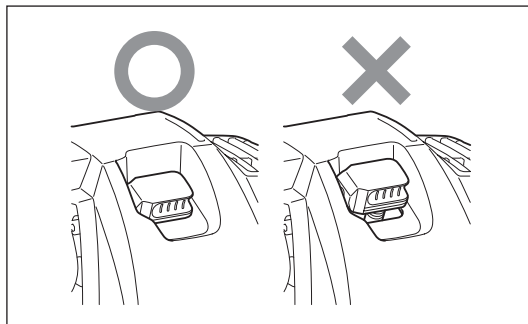
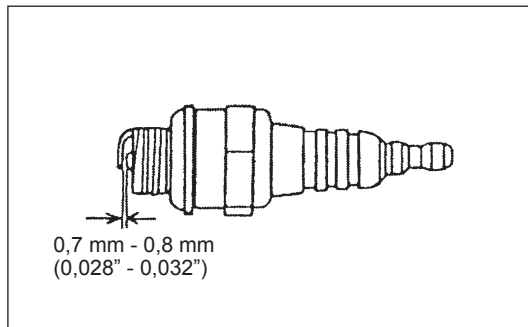
- Rengör filtren flera gånger om dagen om det fastnar mycket smuts på dem. Smutsiga filter minskar motoreffekten och gör att motorn blir svårstartad.
- Ta bort olja på filtren. Om du fortsätter att arbeta med oljebemängda filter kan olja läcka ut från luftrenaren och förorena omgivningen.
- Placera inte filtren på marken eller på en smutsig plats. De kan i så fall ta upp smuts eller skräp som kan skada motorn.
- Rengör aldrig filtren med bränsle. Det kan skada dem.



## KONTROLLERA TÄNDSTIFTET

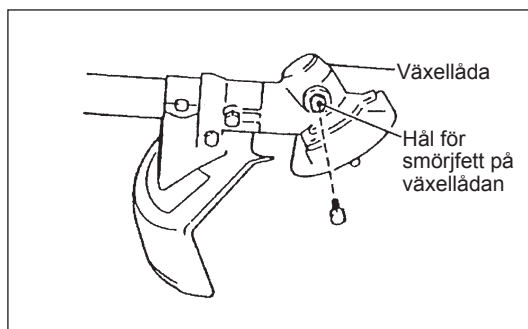
- Använd den medföljande nyckeln endast till att ta bort eller montera tändstiftet.
- Avståndet mellan de två tändstiftselektroderna ska vara 0,7 - 0,8 mm (0,028" - 0,032"). Justera avståndet om det är för stort eller för litet. Om tändstiftet är igensatt eller smutsigt ska det rengöras ordentligt eller bytas ut. Placera tändstiftshatten på rätt sätt som visas efter kontroll.

**FÖRSIKTIGHET:** Ta aldrig i tändstiftets tändkabel medan motorn är igång (risk för högspänningsstöt).



## PÅFYLLNING AV SMÖRJFETT I VÄXELLÅDAN

- Fyll på med smörjfett (Shell Alvania 2 eller liknande) i växellådan genom hålet för smörjfett var 30:e timme. (Smörjfett från MAKITA måste köpas från din MAKITA-leverantör.)



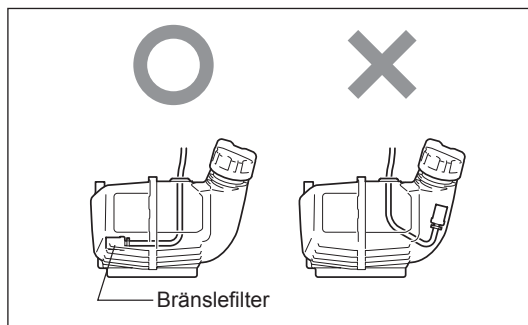
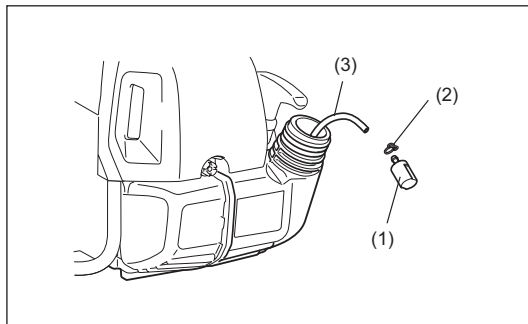
## RENGÖRING AV BRÄNSLEFILTER

### VARNING: LÄTTANTÄNDLIGA MATERIAL ÄR STRIKT FÖRBJUDNA

Rengörings- och inspektionsintervall: månadsvis (var 50:e driftimme)

#### Filterkapsel i bränsletank

- Bränslefiltret (1) på filterkapseln används till att filtrera bränslet som krävs av förgasaren.
- En periodisk visuell inspektion av bränslefiltret ska utföras. Öppna tanklocket och använd en ståltrådkrok för att dra ut filterkapseln genom tanköppningen. Om filtret är hårt eller igentäppt ska det bytas ut.
- Byt ut bränslefiltret minst en gång i kvartalet för att säkerställa tillräcklig bränsletillförsel till förgasaren. I annat fall kan det leda till att motorn inte startar och begränsad maxhastighet.
- Efter kontroll, rengöring eller utbyte, sätter du fast bränslefiltret på bränsleledningen (3) med slangklämman (2). Tryck in bränslefiltret hela vägen till botten av bränsletanken.



## BYTE AV BRÄNSLELEDNING

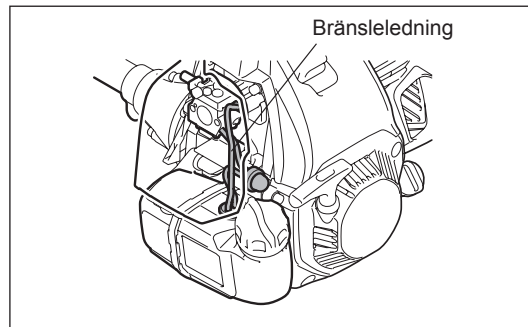
### FÖRSIKTIGHET: LÄTTANTÄNDLIGA MATERIAL ÄR STRIKT FÖRBJUDNA

Rengörings- och inspektionsintervall: dagligen (var 10:e drifttimme)

Utbyte: årligen (var 200:e drifttimme)

Byt ut bränsleledningen varje år utan hänsyn till driftfrekvens. Bränsleläckage kan leda till brand.

Byt omedelbart ut bränsleledningen om något läckage upptäcks under inspektion.



## KONTROLL AV BULTAR, MUTTRAR OCH SKRUVAR

- Dra åt lösa bultar, muttrar osv.
- Kontrollera att tanklocket och oljelocket är täta. Kontrollera om det förekommer bränsle- eller oljeläckage.
- Byt ut skadade delar mot nya för att garantera säker funktion.

## RENGÖRING AV DELAR

- Håll alltid motorn ren genom att torka av den med en trasa.
- Se till att cylinderns flänsar inte blir nedsmutsade och igensatta. Damm och smuts som ansamlas på flänsarna leder till skador på kolven.

## BYTE AV PÅCKNINGAR OCH BRICKOR

Byt ut packningar och brickor om motorn tas isär.

Underhåll eller justeringar som inte beskrivs i denna bruksanvisning får endast utföras av en auktoriserad serviceverkstad.

## FÖRVARING

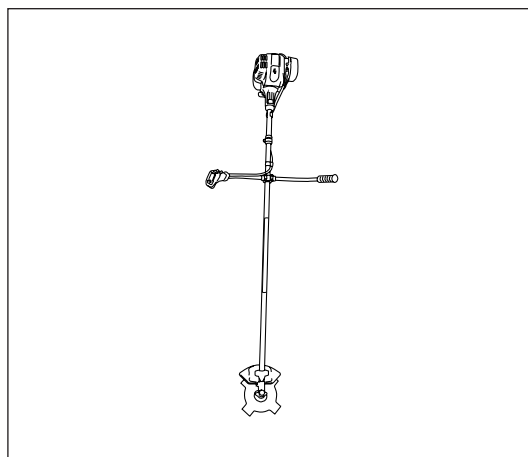


**VARNING:** Motorn är fortfarande varm direkt efter att den har stoppats. Vänta tillräckligt länge så att motorn hinner svalna efter att den stoppats innan du tömmer ut bränslet. I annat fall kan det ge brännskador.



**FARA:** När maskinen inte ska används under en längre tid ska allt bränsle tömmas ur tanken och förgasaren. Förvara den sedan i ett torrt och rent utrymme.

- Töm bränsletanken och förgasaren på följande sätt:
  - 1) Ta bort tanklocket och töm tanken helt.  
Ta bort eventuella främmande partiklar i tanken.
  - 2) Dra ur bränslefiltret med en ståltråd genom tankhålet.
  - 3) Tryck på primerpumpen tills den är tömd på bränsle och töm bränslet som fyllts på i tanken.
  - 4) Sätt tillbaka filtret i bränsletanken och skruva fast tanklocket ordentligt.
  - 5) Kör sedan motorn tills den stannar.
- Ta bort tändstiftet och droppa flera droppar med motorolja i tändstiftshålet.
- Dra försiktigt i starthandtaget för att fördela oljan i motorn och montera tillbaka tändstiftet.
- Montera skyddet för metallbladet.
- Förvara i allmänhet maskinen i horisontellt läge och om det inte är möjligt placera maskinen så att skärverktyget hamnar under motorn. Var uppmärksam på att förvara maskinen på sådant sätt att den inte faller. Det kan i så fall orsaka personskada.
- Förvara bensinen som tömts ut i en specialbehållare i ett välventilerat, mörkt utrymme.



### Tillsyn efter lång tids förvaring

- Var noga med att byta ut oljan (se sidan 50) innan du startar upp maskinen efter lång tids förvaring. Oljan försämras när maskinen inte används.

Användningsintervall Artikel		Före användning	Efter påfyllning	Dagligen (10 tim)	30 tim	50 tim	200 tim	Före förvaring	Se sidan
		Motorolja	Kontrollera/ rengör	○					
	Byt ut					○*1			50
Åtdragning av delar (bult, mutter)	Kontrollera	○							52
Bränsletank	Rengör/ kontrollera	○							—
	Bränsletömning							○*3	53
Gasreglage	Funktionskontroll		○						—
Stoppknapp	Funktionskontroll		○						50
Skärverktyg	Kontrollera	○		○					37
Tomgångsvarvtal	Kontrollera/ justera			○					46
Luftrenare	Rengör			○					51
Tändstift	Kontrollera			○					52
Luftkylningspassage och cylinderflänsar	Rengör/ kontrollera			○					53
Bränsleledning	Kontrollera			○					53
	Byt ut						◎*2		—
Smörjfett för växellåda	Fyll på				○				52
Bränslefilter	Rengör/byt ut					○			52
Ventilinställning (inloppsventilen och avgasventil)	Kontrollera/ justera						◎*2		—
Förgasare	Bränsletömning							○*3	53

\*1 Första bytet ska göras efter 20 drifttimmar.

\*2 Översyn efter 200 drifttimmar ska utföras av auktoriserad serviceverkstad eller allmän maskinverkstad.

\*3 Kör motorn efter att bränsletanken har tömts för att tömma förgasaren på bränsle.

## FELSÖKNING

Gör följande felsökning innan maskinen lämnas till verkstad. Kontrollera maskinen i enlighet med anvisningarna i den här bruksanvisningen om något onormalt observeras. Gör inga ändringar och demontera aldrig någon del i strid mot beskrivningen. Kontakta en auktoriserad serviceverkstad eller återförsäljaren för reparation.

Onormalt tillstånd	Möjlig orsak (fel)	Åtgärd
Motorn startar inte	I-O strömbrytaren är inställd på STOP.	Ställ in I-O strömbrytaren i läget för ANVÄNDNING.
	Primerpumpen fungerar inte	Tryck 7 till 10 gånger
	Startsnöret dras för långsamt	Dra snabbare
	Bränslet är slut	Fyll på bränsle
	Igensatt bränslefilter	Rengör
	Böjd bränsleledning	Räta ut bränsleledningen
	Gammalt bränsle	Gammalt bränsle gör det svårare att starta. Byt ut mot nytt bränsle. (Rekommenderat bytesintervall: 1 månad)
	För mycket bränsle	Ställ gasreglaget på medelhastighet till hög hastighet och dra i startsnöret tills motorn startar. <b>När motorn startar börjar metallbladet rotera. Var uppmärksam på metallbladet.</b> Om motorn fortfarande inte startar ska du ta bort tändstiftet, torka av elektroden och sedan sätta tillbaka dem. Starta sedan på angivet sätt.
	Lös tändhatt	Fäst ordentligt
	Smuts på tändstiftet	Rengör
	Fel tändstiftsinställning	Justera spelet
	Andra fel på tändstiftet	Byt ut
	Fel på förgasaren	Lämna maskinen på kontroll och underhåll.
	Det går inte att dra i startsnöret	Lämna maskinen på kontroll och underhåll.
Fel på drivsystemet	Lämna maskinen på kontroll och underhåll.	
Motorn stannar nästan omedelbart Motorvarvtalet ökar inte	Otillräckligt uppvärmd	Värm upp den på rätt sätt
	Chokereglaget står i stängt läge trots att motorn är uppvärmd	Ställ reglaget i öppet läge
	Igensatt bränslefilter	Rengör
	Smutsig eller igensatt luftrenare	Rengör
	Fel på förgasaren	Lämna maskinen på kontroll och underhåll.
	Fel på drivsystemet	Lämna maskinen på kontroll och underhåll.
Metallbladet roterar inte ↓ Stanna motorn omedelbart	Metallbladets åtdragningsmutter är lös	Dra åt ordentligt
	Kvistar har fastnat i metallbladet eller spridningsskyddet.	Ta bort främmande partiklar
	Fel på drivsystemet	Lämna maskinen på kontroll och underhåll.
Huvudenheten vibrerar onormalt ↓ Stanna motorn omedelbart	Trasigt, böjt eller utslitet metallblad	Byt ut metallbladet
	Metallbladets åtdragningsmutter är lös	Dra åt ordentligt
	Felmonterat metallblad eller monteringsstöd för metallblad.	Fäst ordentligt
	Fel på drivsystemet	Lämna maskinen på kontroll och underhåll.
Metallbladet stannar inte omedelbart ↓ Stanna motorn omedelbart	Hög tomgångsrotation	Justera
	Glapp i gasvajern	Fäst ordentligt
	Fel på drivsystemet	Lämna maskinen på kontroll och underhåll.
Motorn stannar inte ↓ Kör motorn på tomgång och ställ chokereglaget i stängt läge	Glappkontakt	Fäst ordentligt
	Fel på elsystemet	Lämna maskinen på kontroll och underhåll.

Om motorn inte startar när den är varm:  
Öppna gasreglaget med 1/3 om inga fel kan noteras och starta sedan motorn.

Takk for at du valgte MAKITA Utendørs Motorutstyr. Vi har gleden av å anbefale produktet MAKITA, som er et resultat av et langt utviklingsprogram og mange år med kunnskap og erfaring.

Vennligst les dette heftet med detaljerte referanser til de ulike funksjonene som vil demonstrere produktets enestående ytelse. Dette vil gjøre det lettere for deg å oppnå så gode resultater som mulig fra ditt produkt MAKITA.



Innholdsfortegnelse	Side
Symboler .....	56
Sikkerhetsanvisninger .....	57
Tekniske data.....	61
Delebetegnelse .....	62
Montere håndtak.....	63
Montere beskyttelse .....	64
Montere metallblad eller nylontrimmerhode .....	66
Før maskinen tas i bruk.....	67
Korrekt håndtering av maskinen.....	69
Om driften og måter å stoppe maskinen på .....	71
Skjerpe skjæreverktøyet.....	74
Serviceanvisninger .....	77
Lagring.....	80

## SYMBOLER

Du vil se følgende symboler når du leser bruksanvisningen.

	Les bruksanvisningen, og ta hensyn til advarslene og sikkerhetsinstruksjonene!		Sørg for at ingen personer eller kjæledyr oppholder seg i bruksområdet!
	Vær spesielt forsiktig!		Bruk vernehjelm, vernebriller og hørselvern!
	Forbudt!		Høyeste tillatte maskinhastighet
	Hold avstand!		Drivstoff (bensin)
	Fare for flygende gjenstander!		Motor – manuell start
	Tilbakeslag (kickback)!		Nødstop
	Røyking forbudt!		Førstehjelp
	Bruk av åpen ild forbudt!		PÅ/START
	Bruk vernehansker!		AV/STOPP
	Bruk robust fottøy med såler som gir godt feste. Vernesko med stålkappe anbefales!		GASSLÅSPOSISJON



# SIKKERHETSANVISNINGER

## Generelle anvisninger

- Les denne bruksanvisningen for å bli kjent med håndteringen av utstyret. Utilstrekkelige kunnskaper kan føre til at brukeren utsetter seg selv og andre personer for fare ved uforsiktig håndtering.
- Det anbefales at utstyret lånes ut kun til personer med påviselig erfaring. Husk å legge ved bruksanvisningen ved utlån.
- Førstegangsbrukere bør be forhandleren om grunnleggende anvisninger for å bli fortrolig med bruken av skogsryddere.
- Barn og ungdom under 18 år må ikke bruke dette utstyret. Ungdom over 16 år kan imidlertid bruke enheten dersom formålet er opplæring under tilsyn av en kyndig person.
- Bruk med størst mulig forsiktighet og oppmerksomhet.
- Brukes kun hvis du er i god fysisk form. Utfør alt arbeid rolig og forsiktig. Brukeren er ansvarlig overfor andre personer.
- Du må aldri bruke utstyret hvis du har drukket alkohol eller er under påvirkning av legemidler, eller er trett eller føler deg dårlig.
- Nasjonale regelverk kan begrense bruken av maskinen.

## Riktig bruk av maskinen

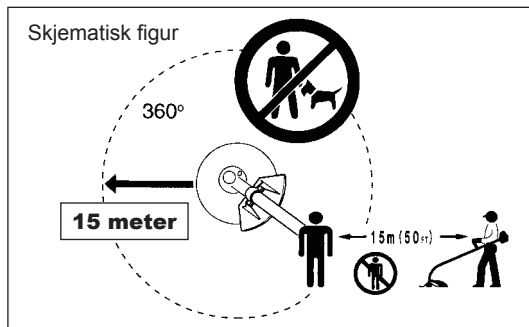
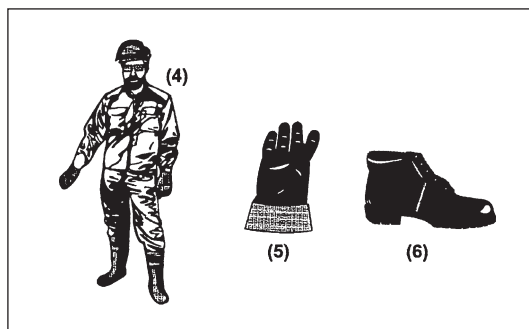
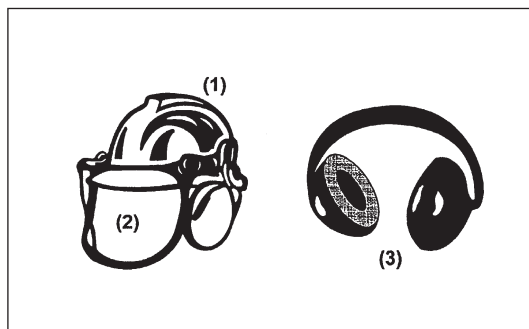
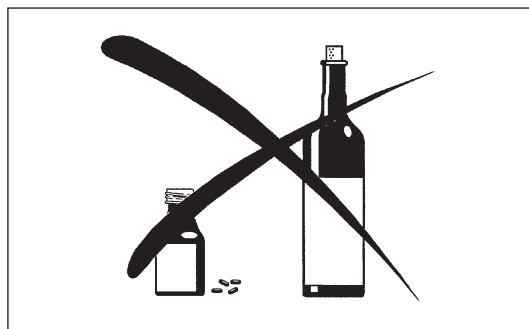
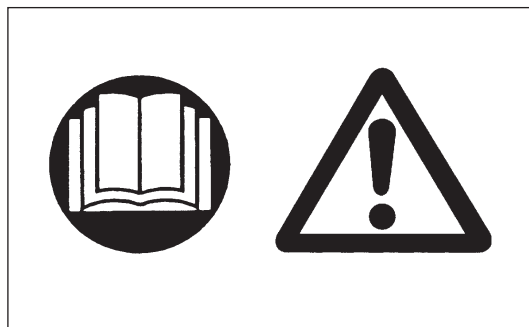
- Dette utstyret er beregnet kun på trimming av gress, ugress, busker og underskog. Det bør ikke brukes for andre formål, som kantklipping eller hekktrimming, da dette kan medføre helseskader.

## Personlig verneutstyr

- Bruk funksjonelle og passende klær. De bør være tettsittende, men ikke gjøre det vanskelig å bevege seg. Bruk ikke smykker eller klær som kan føre til at du blir hengende fast i busker eller grener.
- For å forhindre skader på hode, syn, hender og føtter, og for å beskytte hørselen, må det nedenfor anførte verneutstyr benyttes under bruk.
- Bruk alltid hjelm når det er fare for fallende gjenstander. Vernehjelmen (1) må regelmessig sjekkes mht. skader, og byttes ut senest etter fem år. Anvend kun godkjente vernehjelmer.
- Visiret (2) på hjelmen (eller alternativt vernebrillene) beskytter ansiktet mot flyvende biter og steiner. Under anvendelse av utstyret, bruk alltid vernebriller eller et visir for å hindre skader på øynene.
- Bruk passende personlig hørselvern for å unngå hørselskader (øreklodder (3), ørepropper osv.).
- Arbeidsdress (4) beskytter mot flygende steiner og flis. Vi anbefaler på det sterkeste at brukerne bruker arbeidsdress.
- Hansker (5) er en del av det foreskrevne utstyret og må alltid benyttes under bruk av utstyret.
- Ved bruk av utstyret, bruk alltid robust, sklisikkert fotteøy (6). Dette beskytter mot helseskader og sørger for godt fotfeste.

## Starte skogsrydderen

- Forviss deg om at ingen barn eller andre personer oppholder seg innenfor en arbeidsradius på 15 meter (50 fot), og ta også hensyn til eventuelle dyr i nærheten.
- Før bruk, kontroller at det vil være trygt å bruke utstyret: Kontroller at skjæretilbehøret er trygt å bruke, at gasshendelen kan beveges lett, og at låsen på gasshendelen fungerer som den skal.
- Det er ikke lov å snu rotasjonsretningen for skjæreverktøyet mens det går med tomgangshastighet. Rådfør deg med forhandleren din om justeringer hvis du er i tvil. Kontroller at håndtakene er rene og tørre, og test funksjonen av start-/stopp-bryteren.

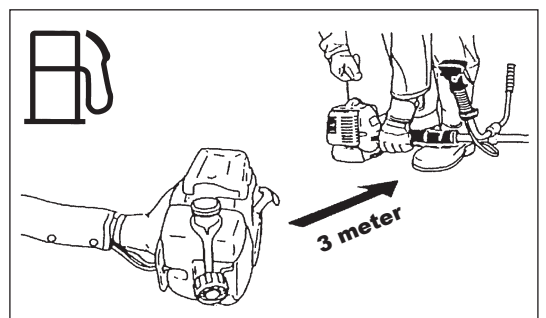
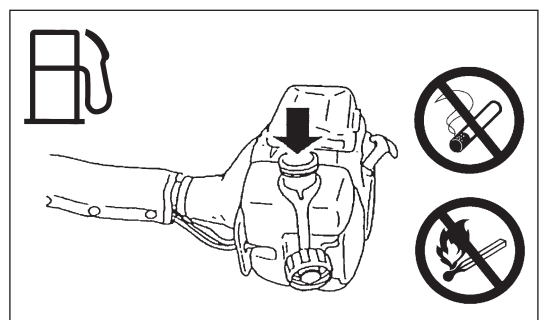
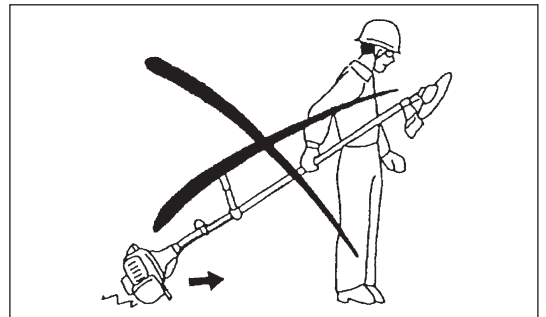
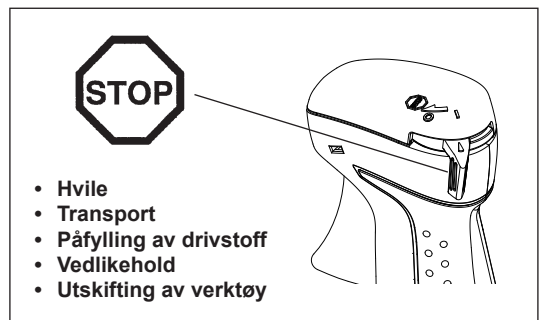
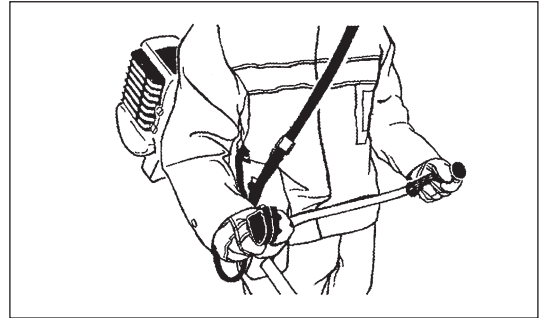
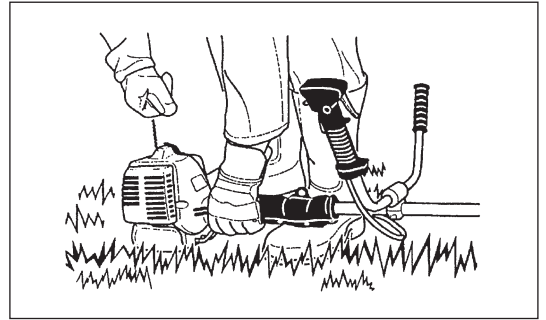


Skogsrydderen må kun startes i overensstemmelse med anvisningene.

- Ikke start motoren på andre måter!
- Skogsrydderutstyret og verktøyene må kun brukes til de spesifiserte bruksformålene.
- Start motoren kun etter at hele monteringen er fullført. Det er tillatt å bruke maskinen kun etter at alt relevant tilbehør er montert!
- Før du starter må du forvise deg om at skjæreverktøyet ikke berører faste gjenstander som grener, steiner osv., da det vil rotere når det startes.
- Motoren må slås av med én gang hvis det skulle oppstå motorproblemer.
- Hvis skjæreverktøyet kommer i kontakt med steiner eller andre harde gjenstander, må du slå av motoren omgående og kontrollere skjæreverktøyet.
- Kontroller skjæreverktøyet med jevne mellomrom med tanke på skader (smale sprekker kan oppdages med en banketest).
- Hvis utstyret blir utsatt for kraftig støt eller fall, kontroller tilstanden før arbeidet fortsettes. Kontroller drivstoffsystemet for lekkasje og at kontroll- og sikkerhetsinnretningene fungerer korrekt. Hvis utstyret er skadet eller du er i tvil, kontakt et autorisert servicesenter for inspeksjon og reparasjon.
- Utstyret må ikke brukes uten at skuldelselen er festet. Denne må være korrekt justert før skogsrydderen startes. Det er meget viktig å justere skuldelselen i henhold til brukerens størrelse, så ikke vedkommende blir unødvendig fort sliten av arbeidet. Gressrydderen må aldri holdes med én hånd mens den er i bruk.
- Når du bruker skogsrydderutstyret, må du alltid holde det med begge hender. Pass på at du har godt fotfeste.
- Bruk utstyret på en slik måte at du unngår å puste inn eksosen. Maskinen må aldri brukes i lukkede rom (fare for gassforgiftning). Karbonmonoxid er en gass uten lukt.
- Slå av motoren når du tar en hvil eller når du lar utstyret være uten tilsyn, og plasser det et sikkert sted for å unngå å utsette andre mennesker for fare eller at maskinen skal bli ødelagt.
- Du må aldri legge den varme skogsrydderen i tørt gress, eller på brennbare materialer.
- Det godkjente skjæreverktøysbeskyttelsen på alltid monteres på maskinen før motoren startes. Kontakt med skjæreverktøyet kan ellers forårsake alvorlig helseskade.
- Alle beskyttelsesdeler og vern som fulgte med maskinen, må være montert når maskinen er i bruk.
- Maskinen må ikke brukes hvis lyddempere ikke fungerer som den skal.
- Slå av maskinen under transport.
- Alltid sett på dekselet til metallbladene når utstyret skal transporteres.
- Ved transport i kjøretøyer, må det sørges for at utstyret er sikkert plassert for å unngå drivstofflekkasje.
- Sørg for at drivstofftanken er helt tom under transport.
- Når du laster ut utstyret fra transportkjøretøyet, slipp aldri maskinen ned på bakken da dette kan medføre store skader på drivstofftanken.
- Unntatt i nødtilfeller, slipp eller kast aldri utstyret ned på bakken, da dette kan påføre det store skader.
- Husk å løfte hele utstyret opp fra bakken når du skal flytte det. Å trekke drivstofftanken etter seg er meget farlig og vil medføre skader, drivstofflekkasje og fare for brann.

## Påfylling av drivstoff

- Slå av maskinen før drivstoffpåfylling, hold den unna åpen ild, og ikke røyk.
- Unngå å få mineraloljeprodukter på huden. Ikke pust inn drivstoffgassene. Bruk alltid vernehansker når du fyller på tanken. Skift og vask verneklærne med jevne mellomrom.
- Ta hensyn til miljøet og vær forsiktig så du ikke søler drivstoff eller olje. Hvis du kommer til å søle drivstoff, må du rengjøre skogsrydderen med én gang.
- Unngå å få drivstoff på klærne. Har du fått drivstoff på klærne, skifte klær omgående (for å hindre at klærne tar fyr).
- Undersøk lokket på drivstofftanken med jevne mellomrom for å sjekke at det kan festes godt og ikke lekker.
- Skru godt igjen drivstofftanklokket. Skift sted for å starte maskinen (minst 3 meter bort fra stedet hvor du fylte tanken).
- Fyll aldri tanken i lukkede rom. Drivstoffdamper samles på bakkenivå (eksplosjonsfare).
- Drivstoff må transporteres og oppbevares utelukkende i godkjente beholdere. Pass på at drivstoff oppbevares utilgjengelig for barn.



## Bruksmåte

- Bruk kun i godt lys og med god sikt. Om vinteren, vær oppmerksom på glatte eller våte områder, is og snø (fare for å skli). Pass på at du har godt fotfeste.
- Skjær aldri over midjehøyde.
- Stå aldri på en stige.
- Klatre aldri opp i trær for å utføre trimmingen.
- Arbeid aldri på ustabil underlag.
- Fjern sand, steiner, spiker osv. du finner innenfor arbeidsområdet. Fremmedlegemer kan ødelegge skjæreutstyret og forårsake farlige tilbakeslag (kickbacks).
- Før du begynner ryddingen, må skjærevrktøyet ha nådd full driftshastighet.
- Når du bruker metallblader, sving verktøyet jevnt i en halvsirkel fra høyre til venste, som en ljà. Hvis gress eller grener blir sittende fast mellom skjærevrktøyet og beskyttelsen, må du alltid stoppe motoren før du prøver å fjerne disse. Utilsikket rotasjon av bladet kan ellers forårsake alvorlig helseskade.
- Ta pauser for å unngå at du mister kontrollen på grunn av tretthet. Vi anbefaler en hvil på 10-20 minutter etter hver time.

## Skjærevrktøy

- Bruk et skjærevrktøy som er egnet for den jobben som skal gjøres. Nylontrimmerhoder (trimmerhoder med tråd) egner seg for trimming av plengress. Metallblader egner seg til kutting av ugress, høyt gress, busker, grener, underskog, kratt og lignende. Bladene må aldri brukes sammen med svingbare metallkjeder med flere ledd og siulblader. Ellers kan det oppstå alvorlig personskade.
- Når du bruker metallblader må du unngå tilbakeslag, og alltid være forberedt på at et tilbakeslag plutselig kan forekomme. Se avsnittene "Tilbakeslag" og "Mottiltak mot tilbakeslag".

## Tilbakeslag (bladstøt)

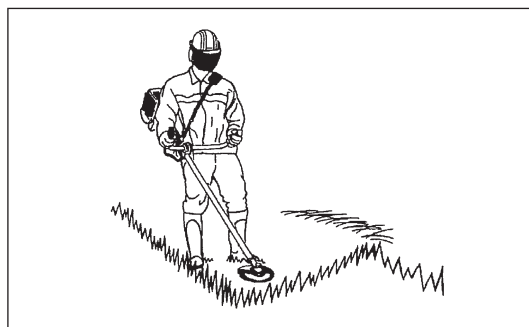
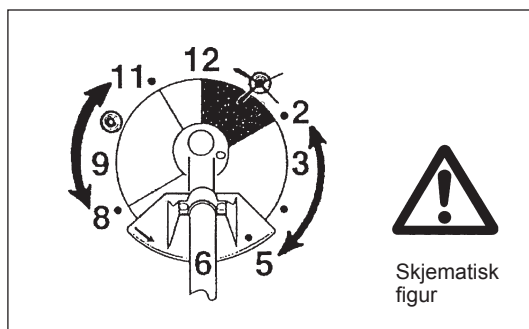
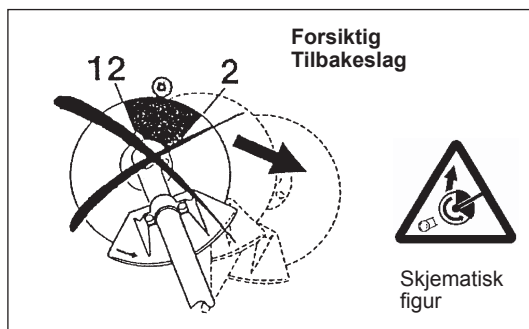
- Et tilbakeslag er en plutselig reaksjon fra et metallblad som har satt seg fast eller holdes fast. Hvis dette oppstår, kastes utstyret til siden eller mot brukeren med stor kraft og kan forårsake alvorlig personskade.
- Tilbakeslag oppstår særlig når du bruker bladsegmentet mellom klokken 12 og 2 på faste gjenstander, busker og trær som har en diameter på 3 cm eller mer.
- Slik unngår du tilbakeslag:
  - Bruk segmentet mellom klokken 8 og 11,
  - bruk aldri segmentet mellom klokken 12 og 2,
  - bruk aldri segmentet mellom klokken 11 og 12 og mellom klokken 2 og 5 hvis du ikke har grundig opplæring og masse erfaring og gjør dette for egen risiko,
  - Du må aldri bruke metallbladene i nærheten av faste gjenstander, som gjerder, vegger, trestammer eller steiner.
  - Du må aldri bruke metallbladene vertikalt for arbeider som f.eks. kantklipping eller klipping av hekker.

## Vibrasjoner

- Hvis personer med dårlig sirkulasjon utsettes for kraftige vibrasjoner, kan det føre til skade på blodkar eller nervesystem. Som følge av vibrasjoner kan følgende symptomer oppstå på fingre, hender eller håndledd: Kroppsdeler "sovner" (nummenhet), kiling, smerter, stikkende følelse, endring av hudfargen eller av huden. Oppsøk lege hvis disse symptomene oppstår!
- For å unngå faren for å få "hvite fingre"-sykdom, må du holde hendene varme under bruk og vedlikehold av utstyr og tilbehør.

## Vedlikeholdsinstruksjoner

- Få utstyret ditt reparert på et kvalifisert servicesenter, og se til at de kun bruker originale reservedeler. Feilreparasjoner og dårlig vedlikehold kan korte ned levetiden på utstyret og øke faren for sykdommer.
- Tilstanden til rydderen, særlig til skjærevrktøyet, beskytterne og skuldereisen må kontrolleres før arbeidet påbegynnes. Ta særlig hensyn til metallbladene, som må være riktig skjerpet.
- Slå av maskinen og fjern kontaktstykket til tennpluggen når du skifter eller skjerper skjærevrktøyet, eller når du rengjør rydderen eller skjærevrktøyet.



## Ødelagte skjæreverktøy må aldri rettes ut eller sveises.

- Ta hensyn til miljøet. Unngå unødvendig gasshendelbruk for mindre forurensning og støy. Juster forgasseren korrekt.
- Rengjør utstyret med jevne mellomrom, og kontroller at alle skruer og muttere er trukket godt til.
- Oppbevar aldri og utfør aldri service på et bensindrevet utstyr i nærheten av åpen ild.
- Oppbevar alltid utstyret i avlåst rom og med tom drivstofftank.
- Alltid sett på dekelet til metallbladene når utstyret skal rengjøres, vedlikeholdes og oppbevares.



Sikkerhetsforskrifter fra relevante yrkesorganisasjoner og forsikringsselskaper må følges. Utfør ingen endringer på utstyret, da dette vil sette din egen sikkerhet i fare.

Brukeren må ikke utføre annet vedlikehold eller reparasjonsarbeid enn det som er beskrevet i bruksanvisningen. Alt annet arbeid må utføres av en autorisert servicetekniker. Benytt kun originale reservedeler og tilbehør godkjent og levert av MAKITA.

Bruk av ikke-godkjent utstyr og verktøy betyr økt risiko for ulykker.

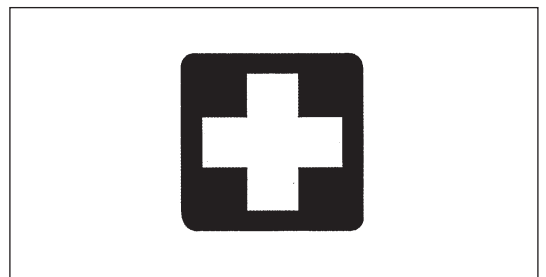
MAKITA aksepterer intet erstatningsansvar for ulykker eller skade forårsaket av bruk av ikke-godkjente skjæreverktøy eller festeanordninger for skjæreverktøy, eller ikke-godkjent tilbehør.

## Førstehjelp

I tilfelle ulykker sørg for å ha et førstehjelpsett tilgjengelig i nærheten av arbeidsområdet. Forbrukt materiale fra førstehjelpsettet må straks etterfylles.

### Når du trenger hjelp, vennligst oppgi følgende:

- Hvor ulykken skjedde
- Hva som har skjedd
- Antall personer som har kommet til skade
- Hvilken type skade det dreier seg om
- Navnet ditt



---

Gjelder kun land i Europa

## EF-samsvarserklæring

Som ansvarlig produsent erklærer vi, **Makita Corporation**, at følgende **Makita-maskin(er)**:

Maskinbetegnelse: Bensindrevet skogsrydder  
Modellnr./type: EM4351UH, EM4350UH, EM4350LH  
Tekniske data: se tabellen "TEKNISKE DATA"

er serieprodusert og

**i samsvar med følgende EU-direktiver:**

2000/14/EF, 2006/42/EF

og er produsert i henhold til følgende standarder eller standardiserte dokumenter:

EN ISO 11806-1

Den tekniske dokumentasjonen oppbevares av vår autoriserte representant i Europa, som er:

Makita International Europe Ltd.,  
Michigan Drive, Tongwell, Milton Keynes, Bucks MK15 8JD, England

Samsvarsvurderingen som er påkrevd i henhold til direktiv 2000/14/EF, ble utført jf. vedlegg V.

EM4351UH:

Målt lydeffektnivå: 114,3 dB

Garantert lydeffektnivå: 116 dB

EM4350UH:

Målt lydeffektnivå: 113,8 dB

Garantert lydeffektnivå: 115 dB

EM4350LH:

Målt lydeffektnivå: 110,7 dB

Garantert lydeffektnivå: 112 dB

8. 9. 2011

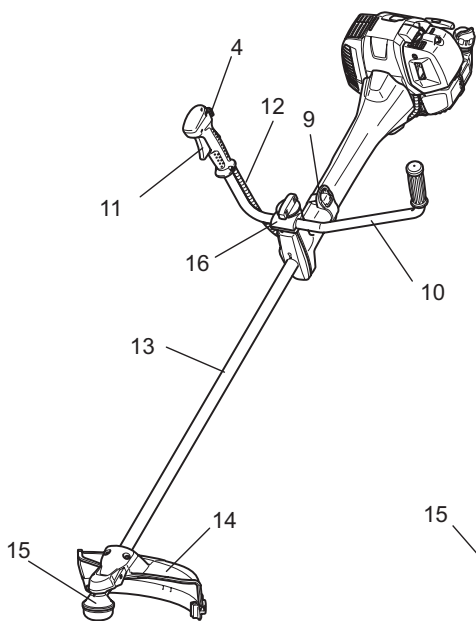
Tomoyasu Kato  
Direktør  
Makita Corporation  
3-11-8, Sumiyoshi-cho,  
Anjo, Aichi, JAPAN

## TEKNISKE DATA FOR EM4351UH, EM4350UH, EM4350LH

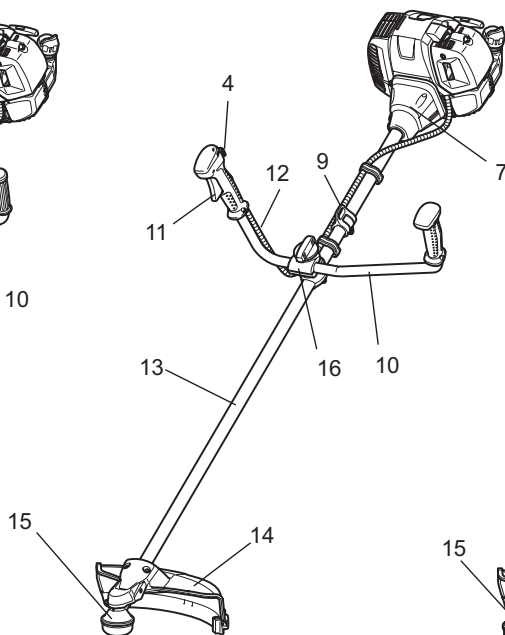
Modell			EM4351UH	EM4350UH	EM4350LH				
Håndtakstype			Ergonomisk håndtak	Ergonomisk håndtak	Buet håndtak				
Mål: Lengde x bredde x høyde (ikke medregnet skjæreverktøy)		mm	1 812 x 618 x 528	1 812 x 635 x 460	1 812 x 339 x 250				
Vekt (ikke medregnet plastvern og skjæreverktøy)		kg	8,6	8,3	7,9				
Volum (drivstofftank)		L	0,6						
Volum (oljetank)		L	0,1						
Motorens slagvolum		cm <sup>3</sup>	43,0						
Maksimal motoreffekt		kW	1,5 ved 7 500 min <sup>-1</sup>						
Motorturtall ved anbefalt maks. spindelhastighet		min <sup>-1</sup>	10 500						
Maksimal spindelhastighet (tilsvarende)		min <sup>-1</sup>	7 200						
Tomgangshastighet		min <sup>-1</sup>	3 000						
Inngrepshastighet for clutch		min <sup>-1</sup>	4 000						
Forgasser			Membrantypen						
Tenningsystem			Kontaktløs, magnetypen						
Tennplugg		type	NGK CMR6A						
Elektrodeavstand		mm	0,7 - 0,8						
			SKJÆREBLAD	NYLONTRIMMERHODE	SKJÆREBLAD	NYLONTRIMMERHODE	SKJÆREBLAD	NYLONTRIMMERHODE	
Vibrasjon per ISO 22867	Høyre håndtak (bakre grep)	a <sub>hv eq</sub>	m/s <sup>2</sup>	2,2	2,5	3,1	4,0	4,2	2,6
		Usikkerhet K	m/s <sup>2</sup>	0,5	0,3	0,5	0,7	1,1	0,7
	Venstre håndtak (Fronthåndtak)	a <sub>hv eq</sub>	m/s <sup>2</sup>	1,7	2,6	4,8	5,0	3,8	3,7
		Usikkerhet K	m/s <sup>2</sup>	0,5	1,3	2,9	0,6	1,0	1,4
Gjennomsnittlig lydtryknivå i henhold til ISO 22868		L <sub>PA eq</sub>	dBA	92,4	99,8	91,2	99,1	92,8	94,9
		Usikkerhet K	dBA	1,8	1,0	2,2	1,3	1,6	2,1
Gjennomsnittlig lydeffektnivå i henhold til ISO 22868		L <sub>WA eq</sub>	dBA	101,8	114,3	103,1	113,8	103,4	107,7
		Usikkerhet K	dBA	1,8	1,5	1,1	1,1	1,5	1,2
Drivstoff			Motorbensin						
Motorolje			Olje med API-klassifisering SF eller høyere, og SAE-grad på 10W-30 (motorolje for firetaktsmotor)						
Skjæreverktøy (skjærebladdiameter)		mm	305 (med tre blader)						
Girutveksling			13/19						

# DELEBETEGNELSER

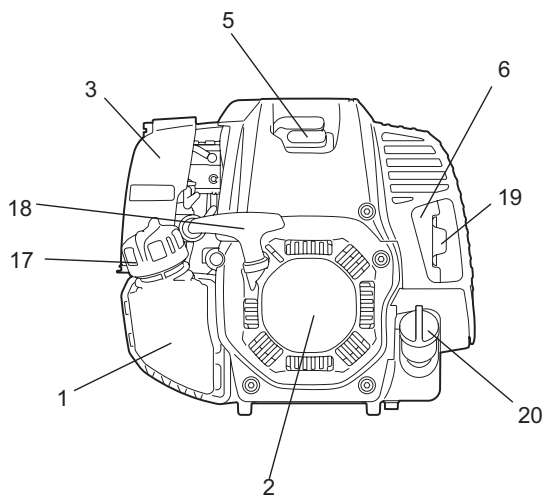
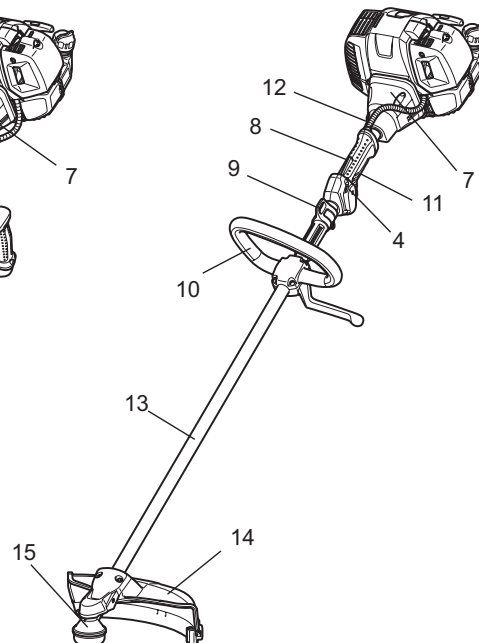
## EM4351UH



## EM4350UH



## EM4350LH



N	DELEBETEGNELSER
1	Drivstofftank
2	Startsnor
3	Luftfilter
4	I-O- og gasslåsbryter (på/av)
5	Tennplugg
6	Lyddemper
7	Clutch-hus
8	Bakre grep
9	Henger
10	Håndtak
11	Gasshendel
12	Kontrollkabel
13	Riggrør
14	Beskyttelse (skjæreverktøysbeskyttelse)
15	Girhus/trimmerhodehus
16	Håndtakholder
17	Bensintanklokk
18	Starthåndtak
19	Eksosrør
20	Oljelokk

## MONTERE HÅNDTAK

FORSIKTIG: Før du utfører noe arbeid på skogsrydderutstyret, stopp alltid motoren og trekk tennpluggghetten av tennpluggen.

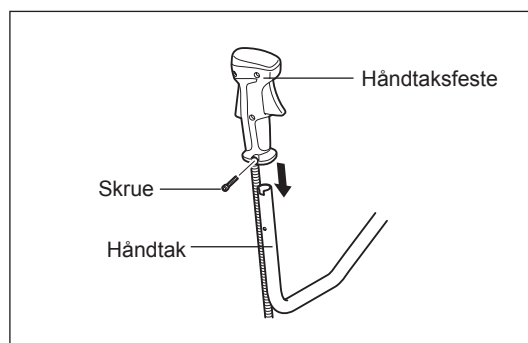
Bruk alltid vernehansker!

FORSIKTIG: Motoren må ikke startes før det er satt fullstendig sammen igjen.



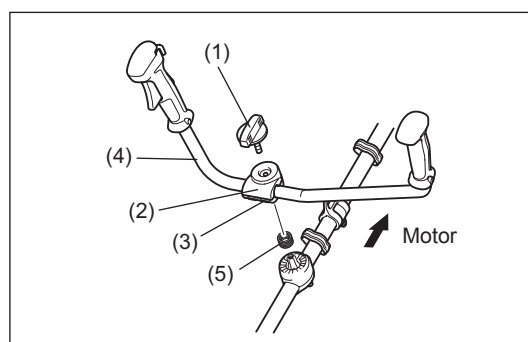
### For modell EM4351UH, EM4350UH

Sett riggrøret på håndtaket inn i håndtaksfestet som vist. Juster skrukehullet i håndtaksfestet med det i riggrøret. Stram skruen.



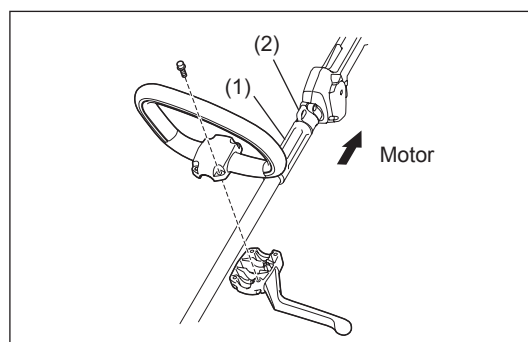
- Løsne knappen (1).
- Plasser håndtaket (4) mellom håndtaksklemmen (2) og håndtakholderen (3).
- Juster håndtaket (4) til en vinkel som gir en behagelig arbeidsstilling, og fest det så ved å stramme knappen (1).

FORSIKTIG: Ikke glem å montere fjæren (5).



### For modell EM4350LH

- Fest det buede håndtaket på riggrøret med fire skruer.
- Hold riktig avstand mellom grepene ved å plassere avstandsstykket (1) mellom det buede håndtaket og hengeren (2).



## MONTERE BESKYTTELSE

For å overholde de gjeldende forskrifter for sikkerhet, må kun den kombinasjonen verktøy/beskyttelse brukes som er nevnt i tabellen.



### Pass på å bruke ekte MAKITA metallblad (inkludert sagblad og skjæreblad) eller nylontrimmerhode.

- Metallbladet må være ordentlig polert og uten sprekker eller bruddskader. Hvis metallbladet treffer en stein under arbeidet, må du stoppe motoren og undersøke bladet omgående.
- Poler eller skift ut metallbladet hver tredje driftstime.
- Hvis nylontrimmerhodet treffer en stein under arbeidet, stans motoren og undersøk nylontrimmerhodet omgående.

**FORSIKTIG:** Passende beskyttelse må alltid være installert, både av hensyn til din egen sikkerhet og for å oppfylle kravene i Arbeidsmiljøloven. Det er ikke lov å bruke utstyret uten at beskyttelsen er på plass.

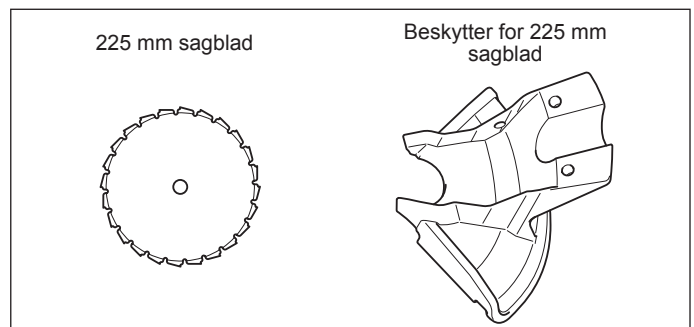
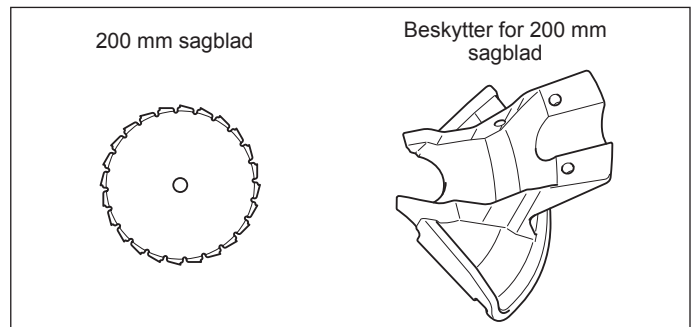
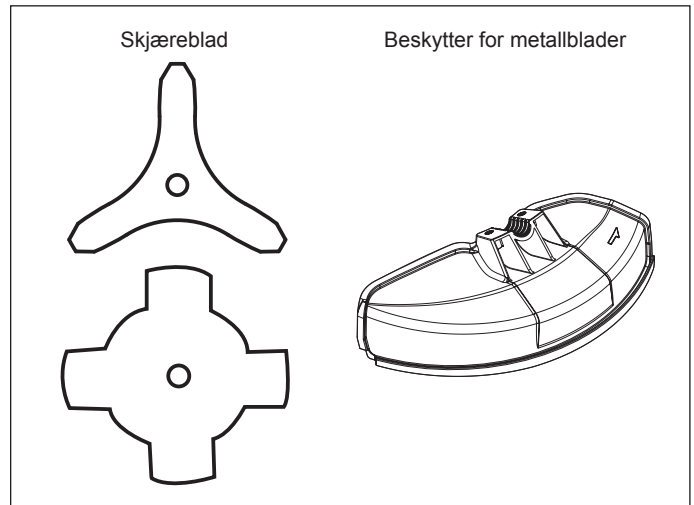
Utvendig diameter på skjærebladet må være 300 mm (12") eller mindre. Du må aldri bruke et blad som er større enn 300 mm (12") i utvendig diameter.

Bruk 200 mm sagbladbeskytter kun når du bruker 200 mm sagblad.

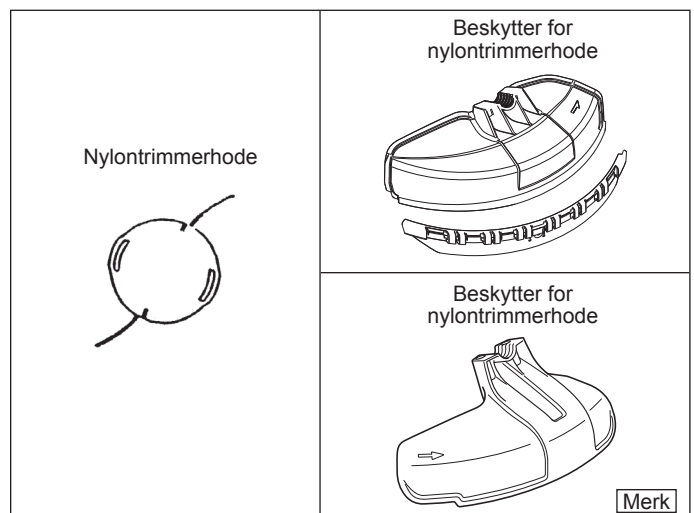
Bruk 225 mm sagbladbeskytter kun når du bruker 225 mm sagblad.

Ikke bruk andre kombinasjoner ved bruk av sagbladet.

**MERK:** Standardkombinasjonen av skjæreverktøyet er forskjellig fra land til land.



**MERK:** Ved bruk av denne beskyttelsen på modell EM4350LH i kombinasjon med nylontrimmerhodene (B&F Z5L eller B&F Eco6L ), bruk balanseskiven (P/N:326755\*2) mellom mottakerskiven og nylontrimmerhodet. (Se side 66 som en referanse for montering.)

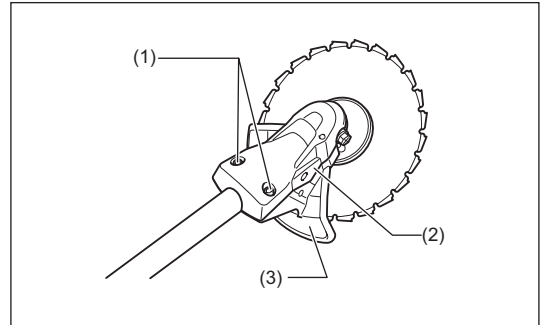
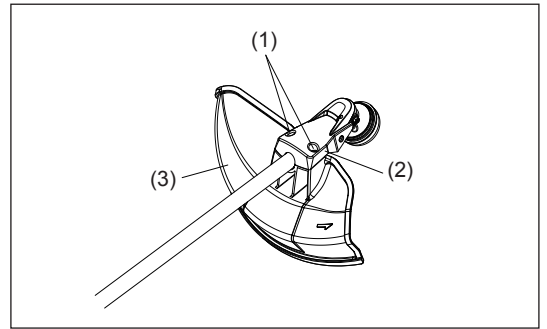


Merk



- Ved bruk av metallblad må du feste beskytteren (3) til klemmen (2) med to skruer M6 (1).

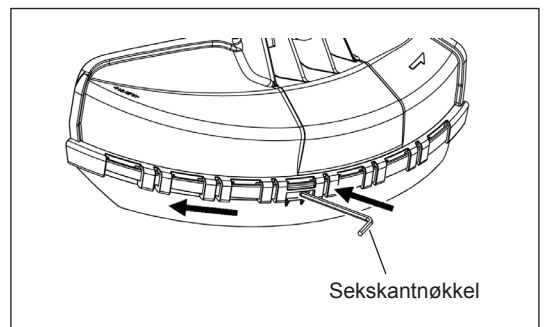
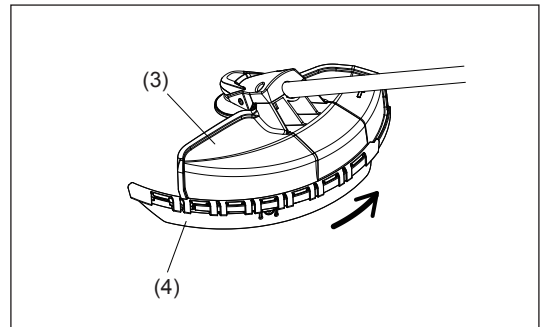
MERK: Stram høyre og venstre skrue jevnt, så mellomrommet mellom klemmen (2) og beskytteren (3) holdes konstant. Ellers vil beskytteren noen ganger ikke fungere som spesifisert.



- Når nylontrimmerhodet skal brukes, må du huske å montere beskytteren for nylontrimmerhodet (4) på beskytteren for metallbladet (3).
- Monter beskyttelsen for nylontrimmerhodet (4) ved å skyve det på plass fra siden av beskyttelsen for metallbladet (3), som vist.
- Fjern tapen fra kniven som kutter nylontråden (kniven sitter på beskytteren for nylontrimmerhodet (4)).

FORSIKTIG: Pass på å skyve beskytteren for nylontrimmerhodet (4) helt inn. Vær forsiktig, så du ikke skader deg på kniven som kutter nylontråden.

- For fjerning av beskyttelsen for nylontrimmerhodet (4), sett en sekskantnøkkel i hakket på metallbladbeskytteren (3), skyv den og la beskyttelsen for nylontrimmerhodet skli (4).



## MONTERE METALLBLAD ELLER NYLONTRIMMERHODE

### Pass på å bruke ekte MAKITA metallblader eller nylontrimmerhode.

- Metallbladet må være ordentlig polert og uten sprekker eller bruddskader. Hvis metallbladet treffer en stein under arbeidet, må du stoppe motoren og undersøke bladet omgående.
- Poler eller skift ut metallbladet hver tredje driftstunde.
- Hvis nylontrimmerhodet treffer en stein under arbeidet, stans motoren og undersøk nylontrimmerhodet omgående.

**FORSIKTIG:** Passende beskyttelse må alltid være installert, både av hensyn til din egen sikkerhet og for å oppfylle kravene i Arbeidsmiljøloven. Det er ikke lov å bruke utstyret uten at beskyttelsen er på plass. Utvendig diameter på skjærebladet må være 300 mm (12") eller mindre. Du må aldri bruke et blad som er større enn 300 mm (12") i utvendig diameter.

Snu maskinen opp ned, så kan du skifte metallbladet eller nylontrimmerhodet enkelt.

- Sett sekskantnøkkelen inn gjennom hullet i girhuset og dreii mottakerskiven (4) til den er låst med sekskantnøkkelen.
- Løsne mutteren (1) (linksgjenget) med pipenøkkelen og fjern mutteren (1), hetten (2) og klemmeskiven (3).

### Montere metallblad mens sekskantnøkkelen fortsatt er på plass

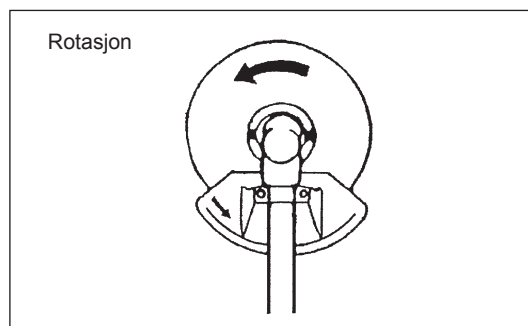
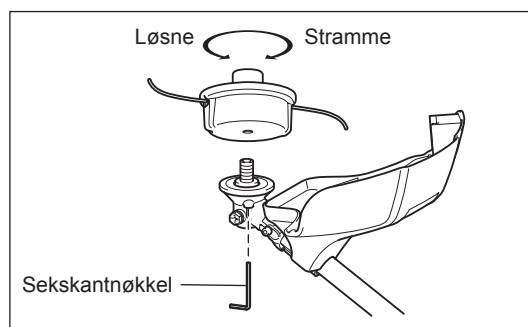
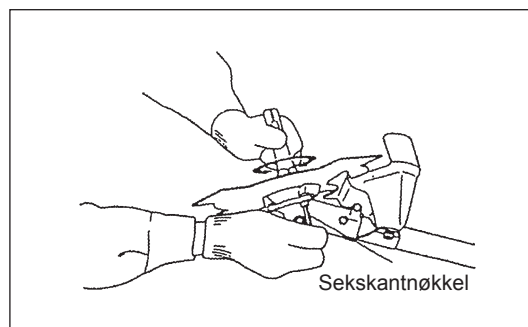
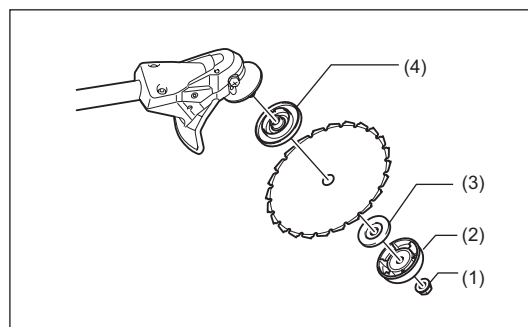
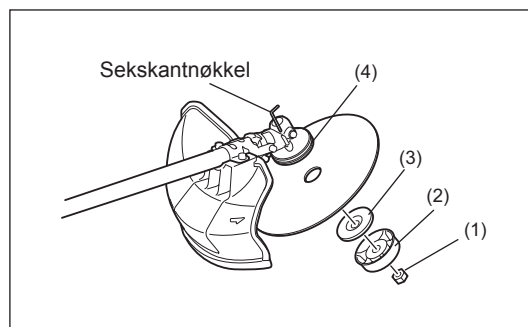
- Monter metallbladet på riggrøret, slik at føringen til mottakerskiven (4) passer i akselhullet i metallbladet. Monter klemmeskiven (3) og hetten (2), og fest metallbladet med mutteren (1).  
[Tiltrekkingmoment: 20 - 30 Nm]

MERK: Når du håndterer metallbladet, må du alltid bruke hansker.

MERK: Festemutteren for metallbladet (med fjærskive) er en forbruksdel. Hvis det er det minste tegn til slitasje eller deformasjon av fjærskiven, må mutteren skiftes ut.

### Montere nylontrimmerhodet

- Klemmeskiven (3), hetten (2) og mutteren (1) er ikke nødvendige for at du skal kunne montere nylontrimmerhodet. Nylontrimmerhodet bør settes opp på mottakerskiven (4).
- Sett sekskantnøkkelen inn gjennom hullet i girhuset og dreii mottakerskiven (4) til den er låst med sekskantnøkkelen.
- Skru deretter nylontrimmerhodet på riggrøret ved å dreie det mot klokken.
- Fjern sekskantnøkkelen.



## FØR MASKINEN TAS I BRUK

### Inspeksjon og etterfylling av motorolje

- Utfør følgende prosedyre når motoren er kald.
- Forsikre deg om at motoren ligger på en flat, vannrett overflate og at oljenivået er mellom oljeindikatorens nedre og øvre grensemerke.
- Hvis oljenivået er under den nedre grensen må du ta av oljelokket og fylle på olje.
- Området rundt de ytre merkene er gjennomsiktige, slik at oljemengden innvendig kan kontrolleres uten at oljelokket tas av. Hvis oljerøret imidlertid blir svært skittent, kan synligheten reduseres, og oljenivået vil måtte kontrolleres opp mot den trinnede seksjonen på innsiden av oljerøret.
- Det kan hende du må etterfylle olje ca. hver 10. driftstime (hver 10. drivstoffpåfyll). Hvis oljen har skiftet farge eller er forurenset, må den skiftes ut. (Du finner mer om intervall og oljeskiftmetode på s. 77)

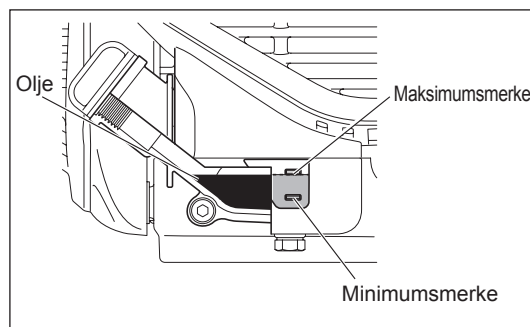
**Anbefalt olje:** SAE 10W-30 med API-klassifisering, klasse SF eller høyere (firedaksmotor for biler)

**Oljevolum:** Ca. 0,10 l

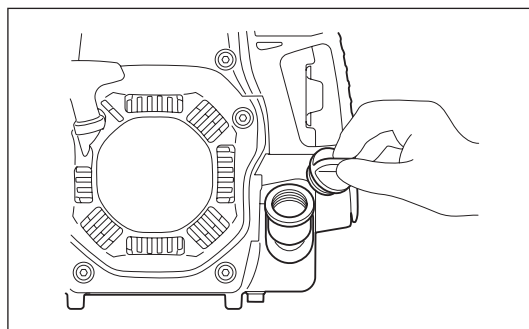
**MERK:** Hvis motoren ikke er plassert på en vannrett overflate som vist, kan feil oljenivå vises, og det kan forekomme overfylling av olje. Hvis det fylles på så mye olje at nivået kommer over det øve grensemerket, kan det føre til oljeforurensning og/eller hvit røyk.

#### Oljeskift: "Oljelokk"

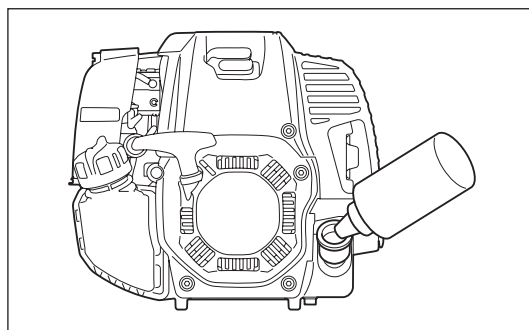
- Fjern støv eller smuss nær oljepåfyllingsåpningen og ta av oljelokket.
- Hold den fjernede oljelokket fritt for sand og støv. Ellers kan sand og støv som fester seg til oljelokket, forårsake ujevn oljesirkulasjon eller slitasje på maskindeler, hvilket vil gi driftsproblemer.



(1) Hold maskinen vannrett og ta av oljelokket.



(2) Fyll opp med olje til det øvre grensemerket.  
Bruk oljeflaske ved påfylling.



(3) Trekk oljelokket godt til. Utilstrekkelig stramming kan gi oljelekkasje.

### Merk

- Oljen må ikke skiftes ut mens maskinen er skråstilt.
- Påfylling av olje mens maskinen er skråstilt fører til overoppfylling, som forårsaker forurensing av oljen og/eller hvit røyk.

### Etter påfyll av olje

- Tørk eventuelt oljesøl bort med en fille med én gang.

## PÅFYLLING AV DRIVSTOFF

### Håndtere drivstoff

Drivstoff må behandles med største forsiktighet. Drivstoff kan inneholde løsemiddellignende stoffer. Påfylling av drivstoff må derfor utføres i et tilstrekkelig ventilert rom, eller utendørs. Drivstoffdamp må ikke innåndes. Ha minst mulig kontakt med drivstoff. Hvis du er i kontakt med drivstoff gjentatte ganger eller over en lengre tidsperiode, vil huden tørke ut, noe som kan forårsake hudlidelser eller allergi. Hvis du får drivstoff i øyet, skylle det med rent vann. Hvis øyet forblir irritert, oppsøk lege.

### Lagringstid for drivstoff

Drivstoff bør brukes i løpet av 4 uker, selv om det oppbevares i spesialbeholdere på et godt ventilert sted. Ellers kan drivstoffet forringes på én dag.

### OPPBEVARING AV MASKINEN OG PÅFYLLINGSTANKEN

- Hold maskinen og tanken på et kjølig sted hvor de ikke utsettes for direkte sollys.
- Oppbevar aldri drivstoff i bilen.

### Drivstoff

Motoren er en firetaktsmotor. Sørg for at det brukes en blyfri bilbensin 87 eller høyere oktan ((R+M)/2) Den må ikke inneholde mer enn 10 % alkohol (E-10).

### Om drivstoffet

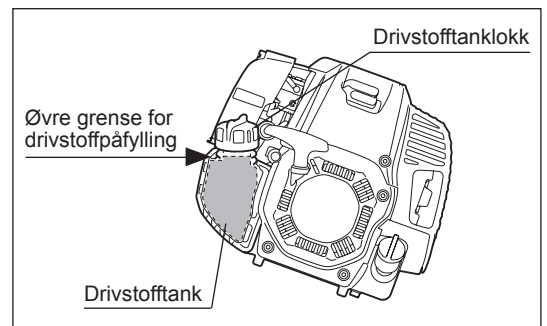
- Bruk ikke bensinblandinger som inneholder motorolje. Dette kan føre til koksdannelse eller mekaniske problemer.
- Bruk av nedbrutt olje vil føre til ujevn start.

### Påfylling av drivstoff

**ADVARSEL: Slå av maskinen før drivstoffpåfylling, hold den unna åpen ild, og ikke røyk.**

- Løsne tankklokket litt for å slippe ut trykk i tanken.
- Ta av tankklokket og fyll drivstoff, mens du lar luften slippe ut ved å vinkle drivstofftanken slik at påfyllingsåpningen peker oppover. Fyll IKKE helt opp til toppen av tanken.
- Tørk godt av utsiden av tankklokket for å forhindre at det kommer fremmedlegemer inn i drivstofftanken.
- Etter påfyll av drivstoff, stram godt til tankklokket.

- Hvis det finnes feil eller skade på tankklokket, må det skiftes ut.
- Tankklokket blir med tiden utslitt. Skift det ut med to til tre års mellomrom.
- IKKE fyll drivstoff i oljepåfyllingsporten.



## KORREKT HÅNDTERING AV MASKINEN

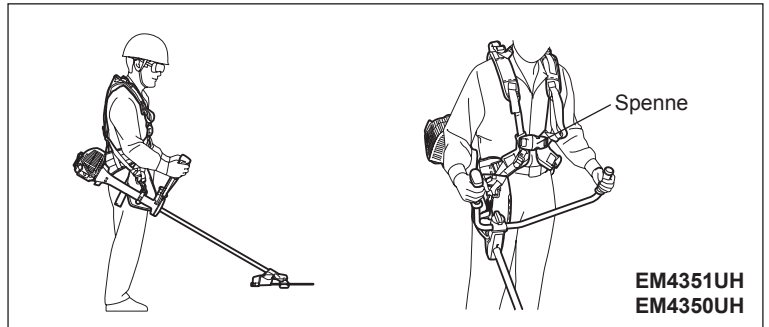
### Festing av skuldersele

- Juster remlengden, slik at metallbladet holdes parallelt med bakken.

#### For EM4351UH, EM4350UH

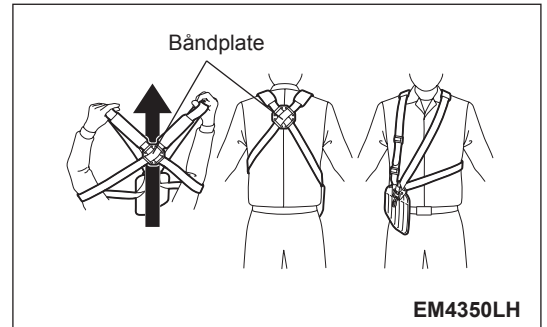
Hold skulderselen på ryggen, fest den med spennen, og juster lengden på båndene.

MERK: Forsiktig så klær eller lignende ikke kommer i klemme i spennen.



#### For EM4350LH

- 1) Stå med båndplaten nærmere deg. Og la armene og hodet gå gjennom båndet.
- 2) Båndplaten sitter på ryggen og justeringsdelene og kroken ligger på høyre side av kroppen din når skulderselen er riktig satt på.



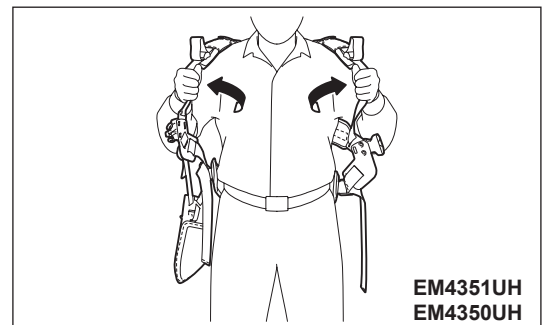
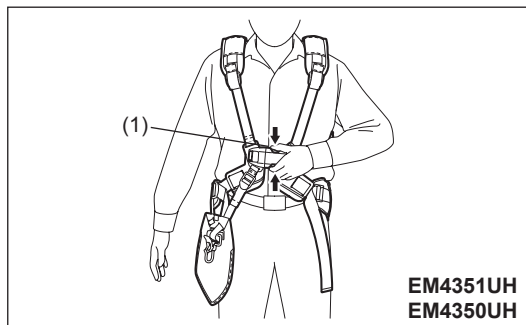
### Løse ut maskinen

#### For EM4351UH, EM4350UH

- år du skal løse ut maskinen klemmer du på begge sider av spennen (1) og tar av skulderselen.

Pass ekstremt godt på at du opprettholder kontrollen over maskinen i denne situasjonen. Ikke la maskinen kastes mot deg eller noen andre i nærheten av arbeidsstedet.

ADVARSEL: Hvis du ikke opprettholder fullstendig kontroll over maskinen til enhver tid, kan det medføre alvorlige helseskader eller LIVSFARE.

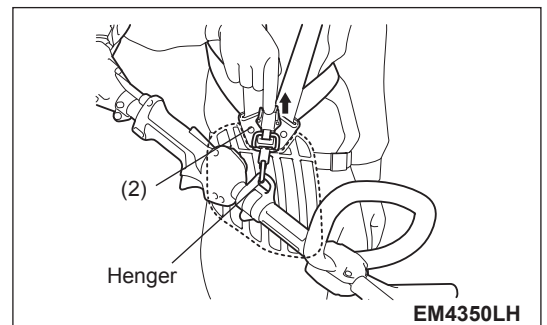


#### For EM4350LH

- Løs ut maskinen ved å løse ut hendelen for nødfrakobling (2). Dette gjør du ved å trekke hardt ut med fingrene.

Pass ekstremt godt på at du opprettholder kontrollen over maskinen i denne situasjonen. Ikke la maskinen kastes mot deg eller noen andre i nærheten av arbeidsstedet.

ADVARSEL: Hvis du ikke opprettholder fullstendig kontroll over maskinen til enhver tid, kan det medføre alvorlige helseskader eller LIVSFARE.



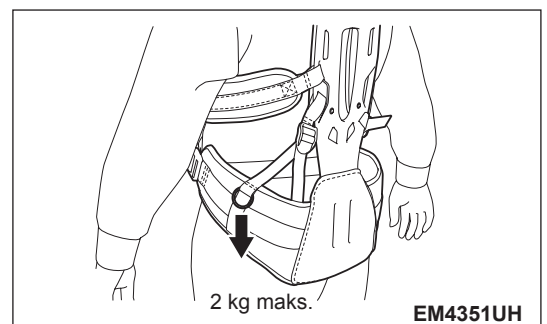
### Hengende ring

#### For EM4351UH

- Du kan bruke ringen til å henge på gjenstander som veier mindre enn 2 kg.

OBS: Ikke heng gjenstander som veier mer enn 2 kg på ringen. Hvis du henger tyngre gjenstander på ringen kan den bli ødelagt, og gjenstanden du har hengt på kan bli skadet.

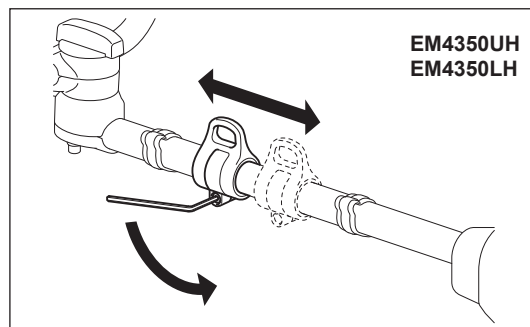
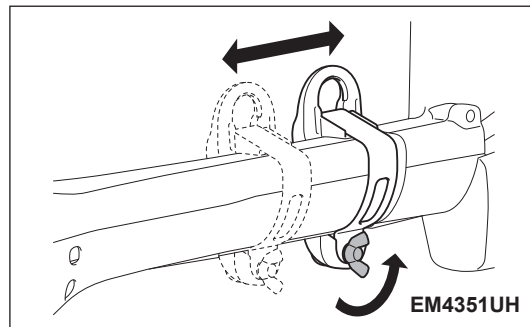
FORSIKTIG: Ikke heng noen gjenstander på ringen som kan føre til at du blir hengende fast i busker eller grener. Hvis du henger fast kan du miste balansen eller kontrollen, noe som kan føre til personskader.



### Justering av vektbalanse

Maskinens vektbalanse kan justeres ved å flytte hengeren fremover eller bakover.

Juster høyden til skjæreverktøyet til en egnet høyde for operasjonen.



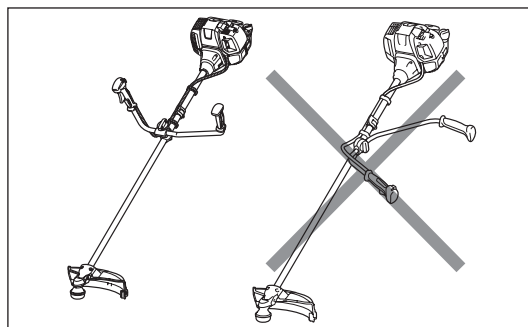
## OM DRIFTEN OG MÅTER Å STOPPE MASKINEN PÅ

Følg relevante regler for å unngå ulykker på arbeidsplassen!



Sett alltid hendelen i riktig posisjon før du starter motoren.

Hvis du ikke gjør dette kan skjæreverktøyet plutselig dreie, noe som kan føre til skader fordi gasskabelen kan trekkes i eller bøyes slik at gasspådraget øker.

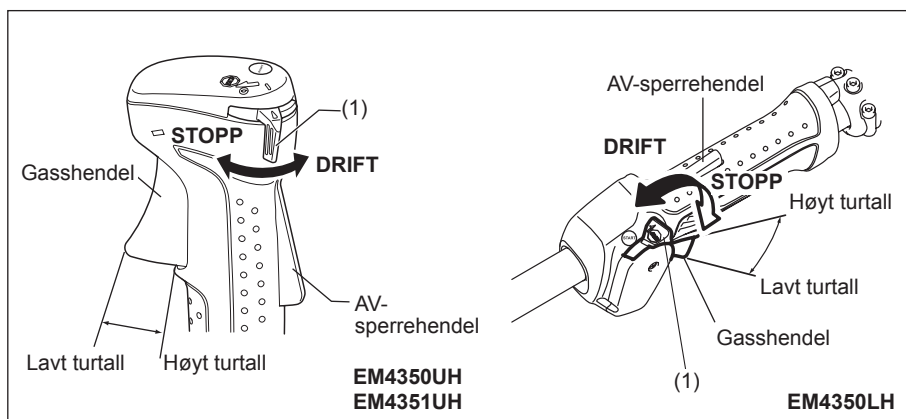


### STARTE

Beveg deg minst 3 m vekk fra stedet hvor du fylte bensin. Plasser enheten på bakken og sørg for at skjæreverktøyet ikke berører bakken eller noen andre objekter.

#### A: Kaldstart

- 1) Sett maskinen på et flatt underlag.
- 2) Still inn I-O-bryteren (1) på DRIFT.

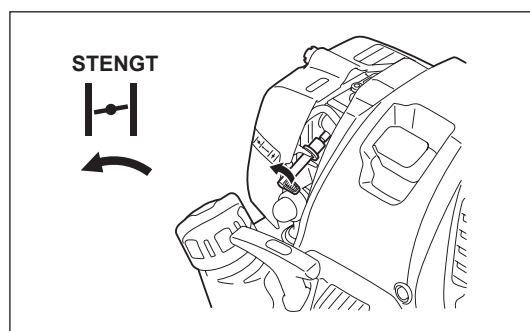


- 3) Choke

Slå av choken.

Choke-spjeld:

- Lukkes helt i kaldt vær eller når motoren er kald.
- Åpnes fullt eller halvt hvis motoren er litt varm, som når motoren startes opp like etter å ha stoppet under oppvarmingskjøring.

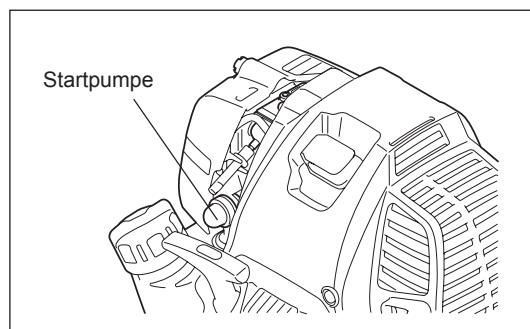


- 4) Startpumpe

Fortsett å bruke startpumpen til drivstoffet kommer inn i startpumpen.

(Vanligvis må det pumpes sju til ti ganger)

Hvis du pumper for kraftig med startpumpen, vil overflødig bensin renne tilbake i drivstofftanken.

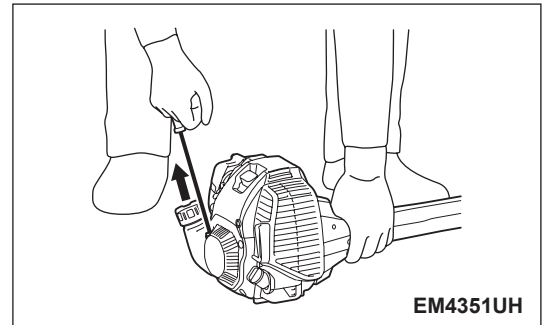
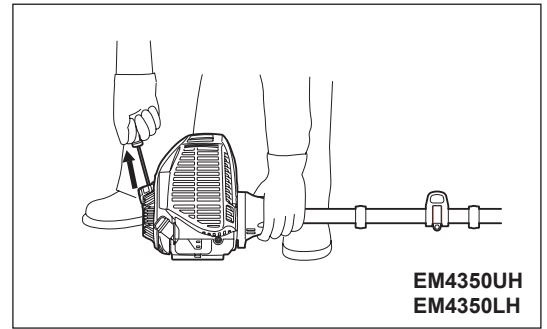


5) Startsnor

Pass på at du har godt fotfeste. Hold enheten med venstre hånd og trykk den godt ned.

**FORSIKTIG:** Ikke stå eller knel på gasskabelen. Den interne ledningen kan bli trukket og skjæreverktøyet kan begynne å rotere utilsiktet. Ikke øk gasspådraget.

Trekk forsiktig i startknappen til du kjenner en viss motstand. Før starthåndtaket tilbake til utgangspunktet, og trekk så hardt i det. Startsnoren må aldri trekkes helt ut. Ikke slipp startsnoren idet den er trukket ut. Hold i starthåndtaket til det har returnert til utgangspunktet.



6) Choke

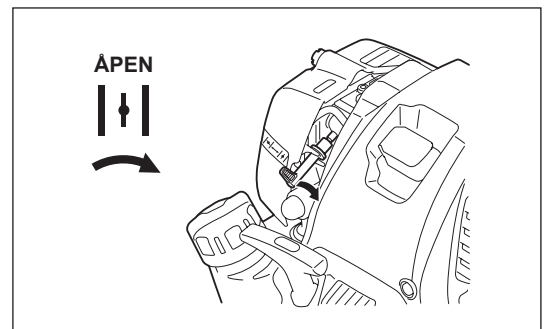
Når maskinen starter, still choken i "OPEN" (ÅPEN) posisjon.

- Åpne choken gradvis mens du kontrollerer funksjonen til motoren. Sørg for å åpne choken helt til slutt.
- I kaldt vær eller når motoren er avkjølt, må du aldri åpne choken plutselig. Ellers kan motoren stoppe.

7) Oppvarmingskjøring

Fortsett med oppvarmingskjøring i 2 til 3 minutter.

**OBS: Ikke trekk gasshendelen unødvendig mens motoren ikke er i gang.** Det kan føre til drivstofflekkasje fra luftfilteret. Dersom det skjer, tørk av drivstoff som har lekket. Åpne også luftfilterdekslet og rengjør elementet og luftfilterplaten.



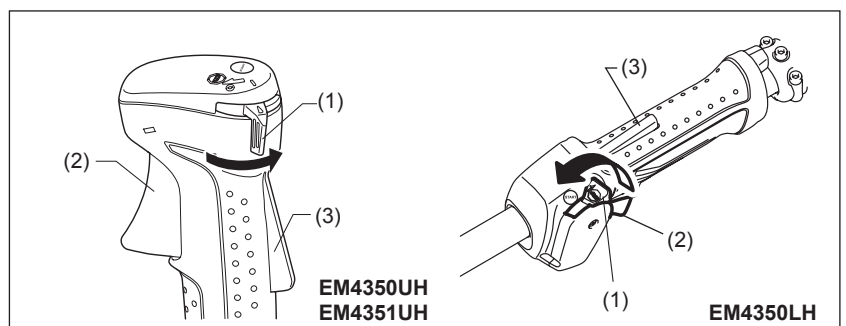
MERK:

- Ikke trekk i gasshendelen unødvendig når motoren ikke er i gang. Det kan føre til oversvømmelse av drivstoff i motoren, og dermed at motoren får problemer med å starte.
- Hvis det suges inn for mye drivstoff, fjern tennpluggen og trekk sakte i starthåndtaket for å fjerne overflødig drivstoff. Tørk også av elektrodedelen til tennpluggen.
- Hvis motoren starter og stopper, eller stopper like etter start, returnerer du choken til "OPEN" (ÅPEN) posisjon, og drar noen ganger i startknappen igjen for å starte motoren.
- Hvis choken blir stående i "CLOSE" (STENGT) posisjon og starthåndtaket dras gjentatte ganger, vil det tas inn for mye drivstoff, og motoren vil bli vanskelig å starte.
- Ikke rus motoren under oppvarmingskjøring unødig.

**B: Varmstart**

- 1) Hold choken helt åpen.
- 2) Pump gjentatte ganger med startpumpen.
- 3) Hold gasshendelen i tomgangsstilling.
- 4) Trekk hardt i startsnoren.
- 5) Hvis det er vanskelig å starte motoren, løsne AV-sperrehendelen (3), trekk i gasshendelen (2), og flytt I-O-bryteren (1) til gasslåsposisjonen. Mens du holder I-O-bryteren (1), slipp gasshendelen (2) og AV-sperrehendelen (3). Dra deretter i starthåndtaket.

**ADVARSEL:** Pass på at skjæreverktøyet roterer umiddelbart.

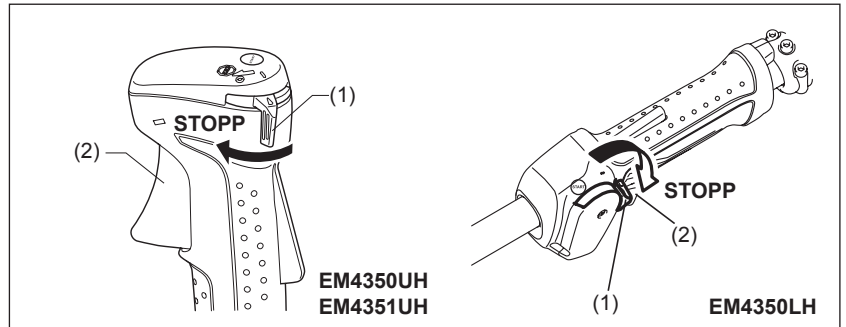


- 6) Når motoren starter, løsne AV-sperrehendelen (3) og trekk gasshendelen (2), og slipp dem for å la motoren gå på tomgang.



## STOPPE

- 1) Slipp gasshendelen (2) helt. Når motorens turtall har sunket, still inn I-O-bryteren (1) på STOP. Motoren vil nå stoppe.
- 2) Skjæreverktøyet fortsetter å gå rundt en stund etter at motoren er stoppet. Vent til det stopper helt.

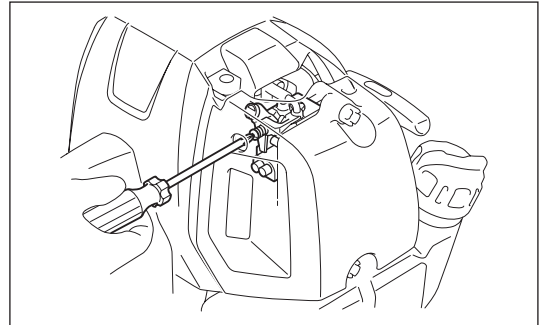


## JUSTERING AV TOMGANGSTURTALL

Når det er nødvendig å justere tomgangsturtallet, gjør dette ved hjelp av justeringsskruen på forgasseren.

### KONTROLLERE TOMGANGSTURTALL

- Still tomgangsturtallet til 3 000 min<sup>-1</sup>. Hvis det er nødvendig å endre tomgangsturtallet, bruk en Phillips-skrutrekker på skruen vist på høyre side.
- Drei justeringsskruen i klokkevisning for å øke tomgangsturtallet. Drei justeringsskruen mot klokkevisning for å redusere tomgangsturtallet.
- Forgasseren er justert på fabrikken. Etter flere gangers bruk må imidlertid tomgangsturtallet justeres på nytt.

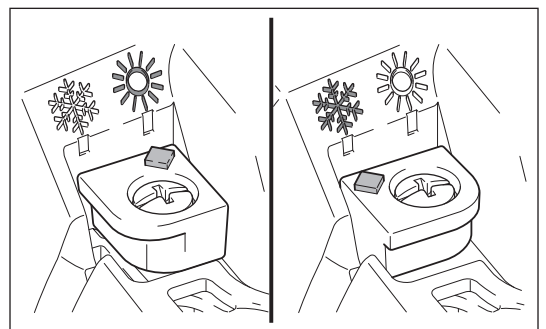
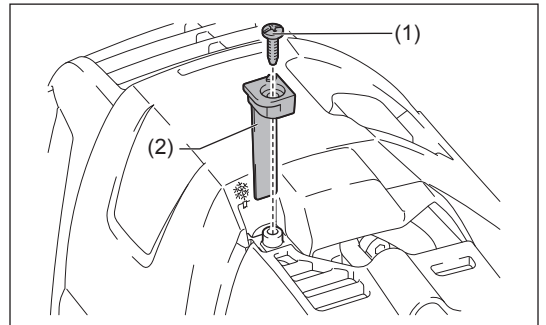


## HINDRE FORGASSERISING

**FORSIKTIG:** Når omgivelsestemperaturen er høyere enn 10°C, må du alltid sette lukkeren tilbake til normal stilling (solsymbol). Ellers kan motoren bli skadet av overoppheting.

Når omgivelsestemperaturen er lav og luftfuktigheten er høy, kan vanddamp fryse til is i forgasseren med det resultat at motoren går ujevnt (forgasserising). Ved behov må du endre lukkerinnstillingen slik det beskrives nedenfor.

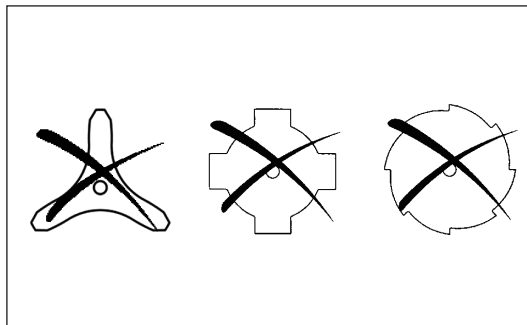
1. Fjern skruen (1).
2. Endre innstillingen til lukkeren (2) som følger:
  - Omgivelsestemperaturen er høyere enn 10°C: Sett lukkeren i normal stilling (solsymbol).
  - Omgivelsestemperaturen er 10°C eller lavere: Sett lukkeren i stillingen for antiising (snøsymbol).
3. Trekk til skruen.



## SKJERPE SKJÆREVERKTØYET

**FORSIKTIG:** Skjæreverktøyene som er vist på tegningen skal ikke skjerpes. Manuell skjæring vil medføre kast i skjæreverktøyet og derav følgende vibrasjoner og skade på utstyret.

**MERK:** For å øke levetiden til skjærebladet kan du snu det en gang, til begge eggene er blitt sløve.



### NYLONTRIMMERHODE

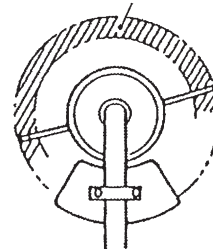
Nylontrimmerhodet er et trimmerhode med dobbel snor, med støt- og matemekanismer.

Etter at nylontrimmerhodene har truffet bakken, mater nylontrimmerhodet automatisk frem riktig lengde nylontråd som følge av endringene i sentrifugalkraften forårsaket av økende eller avtagende turtall.

#### Drift

- Øk turtallet på nylontrimmerhodet til ca. 6 000 min<sup>-1</sup>. Dunk nylontrimmerhodet forsiktig i bakken.
- Det området skogsrydderen er mest effektiv i, er skyggelagt på figuren.
- Hvis nylontråden ikke mates frem, må du vikle opp/skifte ut nylontråden med de prosedyrene som er beskrevet nedenfor, under "Skifte nylontråden".

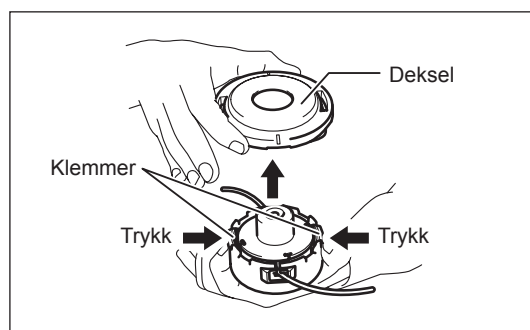
Område som ryddes mest effektivt



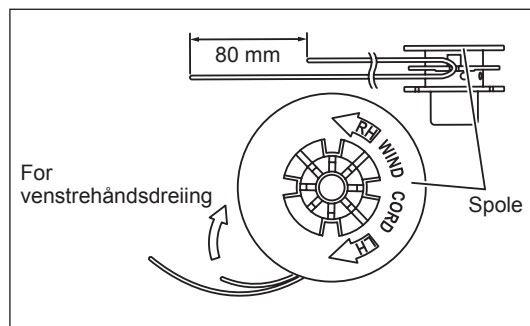
### Skifte nylontråden (STØT OG MATE)

**ADVARSEL:** Pass på at dekselet til nylontrimmerhodet er godt festet til huset, som beskrevet nedenfor. Dersom dekselet ikke er festet skikkelig, kan nylontrimmerhodet gå fra hverandre og forårsake alvorlige helseskader.

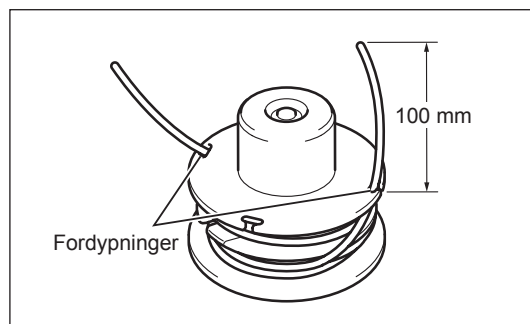
Trykk klemmene innover og løft oppover for å fjerne dekselet. Fjern eventuelle rester av nylontråden.



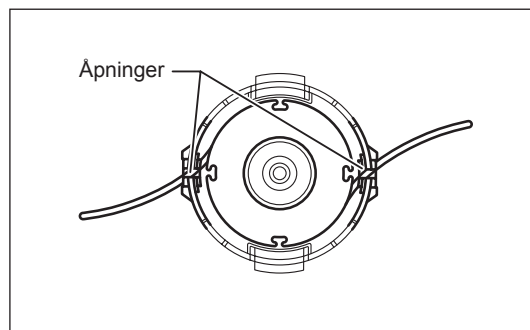
Fest midten av den nye nylontråden til hakket midt på spolen mellom de 2 sporene for nylontråden. Den ene siden av tråden bør være ca. 80 mm lenger enn den andre siden. Surr begge endene godt rundt spolen i den retning som er angitt på hodet for venstre retning, som indikert av LH.



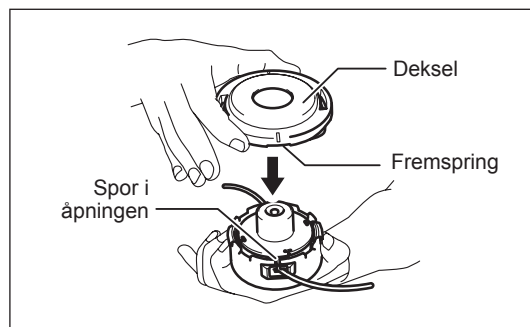
Vikle opp all tråden, unntatt de ytterste 100 mm, og fest endene midlertidig i et hakk på siden av spolen.



Monter spolen i huset, slik at sporene og fremspringene på spolen passer til de i huset. Hold siden med bokstavene på spolen synlig øverst. Løsne så trådene fra deres midlertidige plassering og før dem gjennom åpningene og ut av huset.

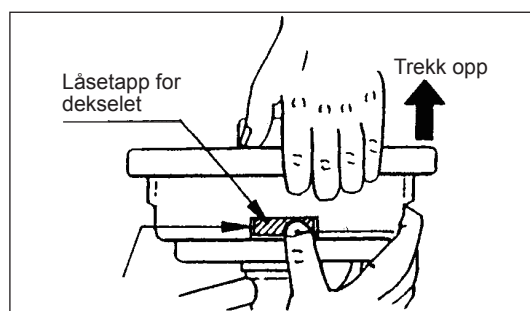


Juster fremspringet på undersiden av dekselet slik at det passer til sporene til åpningene.  
Skyv deretter dekselet fast inn på huset for å feste det. Sørg for at klemmene sprer seg fullstendig i dekselet.

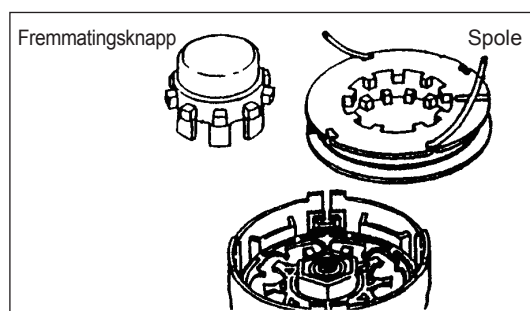


### Skifte nylontråden (ULTRA AUTO)

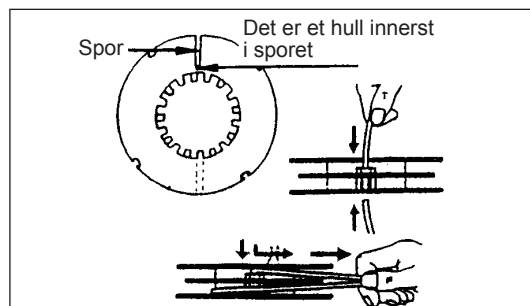
1. Ta dekselet av huset ved å trykke inn to tapper som holder dekselet på hver sin side av huset.



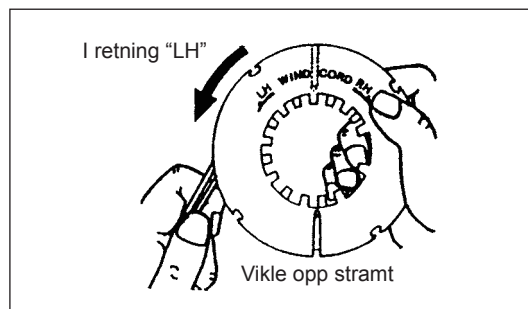
2. Ta fremmaterknappen og spolen ut av huset.



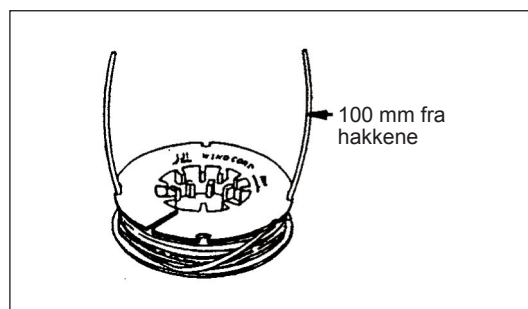
3. Stikk en ende av hver av de to nylontrådene inn i hullene innerst i sporet på en av spolens ytre flenser. Plasser trådene i selve spolen gjennom sporene i flensene.



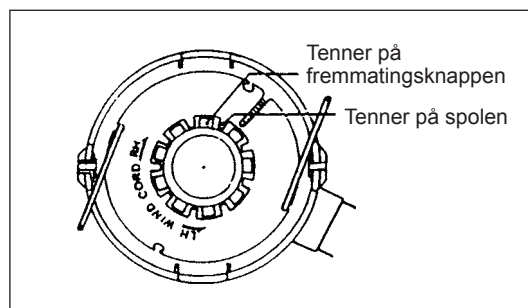
4. Vikle trådene fast om spolen i pilens retning (LH står for left hand, dvs. venstre hånd). Ikke kryss trådene.



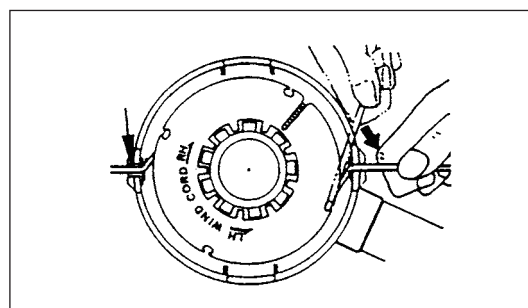
5. Vikle opp all tråden, unntatt de ytterste 100 mm (3-15/16"), og fest endene midlertidig i et hakk på siden av spolen.



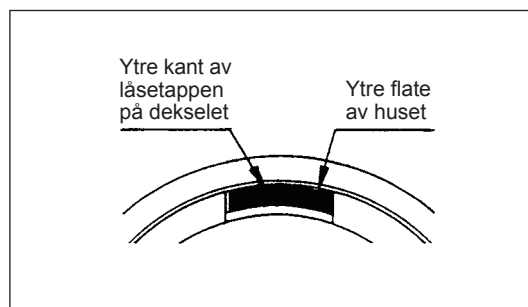
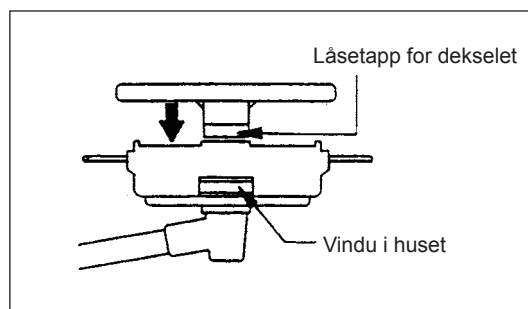
6. Sett fremmatingsknappen på navet i huset, slik at den kan bevege seg fritt opp og ned mot fjærspenningen. Sett spolen inn i huset, slik at tennene på spolen og fremmatingsknappen går i inngrep med hverandre, som tannhjul.



7. Stikk nylontrådene gjennom sporet.



8. Sett dekselet på huset, slik at tappene på dekselet og på vinduet i huset passer med hverandre. Pass på at dekselet er festet nøyaktig på huset. Ytre kant av låsetappen på dekselet og ytre flate av huset skal ligge i samme omkrets.



## SERVICEANVISNINGER

**FORSIKTIG:** Før du utfører noe arbeid på utstyret, må du alltid stoppe motoren og trekke tennpluggen av tennpluggen (se "Kontrollere tennpluggen").  
Bruk alltid vernehansker!

For at utstyret skal vare lenge og ikke bli skadet, bør følgende servicetiltak utføres med jevne mellomrom.

### Daglig kontroll og vedlikehold

- Før maskinen settes i gang, kontroller at ingen skruer er løse og at ingen deler mangler. Vær spesielt oppmerksom på hvor stramt metallbladet eller nylontrimmerhodet sitter.
- Før maskinen settes i gang, kontroller alltid at ikke kjøleluftinnløpet eller sylinderribbene er tette. Rengjør dem om nødvendig.
- Utfør følgende arbeid hver dag etter bruk:
  - Rengjør utstyret utvendig, og inspiser det med tanke på skader.
  - Rengjør luftfilteret. Når det arbeides under ekstremt støvete forhold, rengjør filteret flere ganger om dagen.
  - Kontroller bladet eller nylontrimmerhodet med tanke på skader, og sjekk at det er skikkelig montert.
  - Kontroller at det er tilstrekkelig forskjell på tomgang og driftsturtall til at skjæreverktøyet står stille når motoren går på tomgang (om nødvendig må du redusere tomgangsturtallet).  
Hvis verktøyet fortsetter å rotere når motoren går på tomgang, rådfør deg med nærmeste autoriserte servicetekniker.
- Kontroller om I-O-bryteren, AV-sperrehendelen, gasshendelen og låseknappen fungerer som de skal.

### SKIFTE MOTOROLJE

Nedbrutt motorolje vil forkorte motorens levetid. Sjekk oljen og oljenivået regelmessig.



**ADVARSEL:** Motoren og motoroljen er varm like etter at motoren stopper. La motoren og motoroljen få litt tid til avkjøling. Ellers kan du få brannskader på huden.

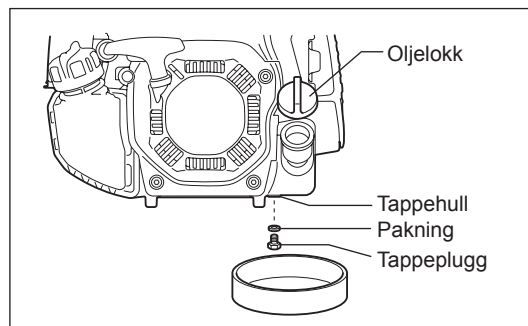
**MERK:** Hvis du fyller på olje til over maksimumsmerket, kan oljen bli forurenset eller begynne å brenne med hvit røyk. Når motoren har stoppet må den få tid til å avkjøles, slik at motoroljen renner tilbake i oljetanken og avlesing av oljenivået blir nøyaktig.

**Oljeskiftintervall:** Første oljeskift skal skje etter 20 driftstimer, og deretter hver 50. driftstime.

**Anbefalt olje:** SAE 10W-30 med API-klassifisering, klasse SF eller høyere (firetaktsmotor for biler)

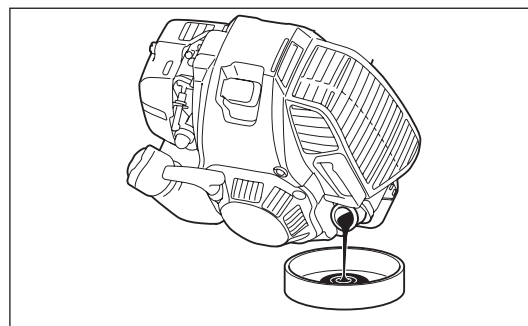
Ved oljeskift, følg nedenstående fremgangsmåte.

- 1) Forviss deg om at drivstofftanklokket er skrudd godt på.
- 2) Plasser en stor beholder (oljefat e.l.) under tappehullet.
- 3) Fjern tappepluggen og fjern deretter oljelokket for å tappe olje fra tappehullet.  
Påse at du ikke mister tappepluggens pakning, eller at du skitner til de fjernede komponentene.
- 4) Når all oljen har blitt tappet, setter du på pakningen og tappepluggen og strammer tappepluggen godt til slik at den ikke vil løsne og forårsake lekkasje.  
[Tiltrekkingsmoment: 5 Nm]  
\* Bruk en klut til å tørke godt av eventuell olje som har lagt seg på pluggen og utstyret.



#### Alternativ tappingsmetode

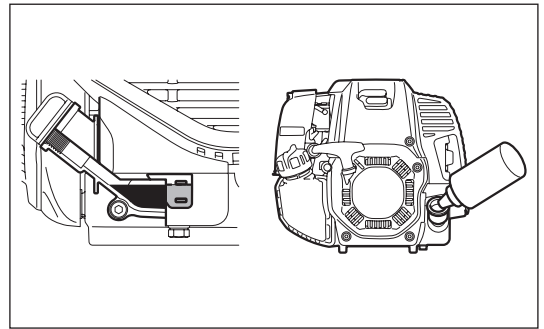
Fjern oljelokket, vipp utstyret mot oljepåfyllingshullet, og tapp ut oljen.  
Samle opp oljen i beholderen.



- 5) Hold maskinen vannrett, og fyll gradvis opp med ny olje til det øvre grensemerket.
- 6) Etter påfylling trekker du oljelokket godt til slik at det ikke kan løsne og forårsake lekkasje. Hvis oljelokket ikke er godt strammet, kan det lekke.

### OM OLJE

- Brukt motorolje må aldri kastes i husholdningsavfall eller tømmes ut på bakken eller i kloakksystemet. Deponering av brukt motorolje er regulert av lover og forskrifter. Ved deponering av brukt olje, følg alltid relevante lover og forskrifter. Skulle det fortsatt være noe som er uklart, bør du ta kontakt med en autorisert servicetekniker.
- Olje brytes ned selv om den oppbevares ubrukt. Utfør inspeksjon og oljeskift med jevne mellomrom (oljeskift hver 6. måned).



### RENGJØRE LUFTFILTERET



**ADVARSEL:** Slå av motoren, hold den unna åpen ild, og ikke røyk.

**Rengjørings- og inspeksjonsintervaller: Daglig (hver 10. driftstime)**

- Steng choken helt og hold forgasseren fri for støv og smuss.

#### Fjerne luftfilterdeksel

- Løsne de to festeboltene (1).
- Trekk ut og fjern luftfilterdekselet (2).

#### Rense element

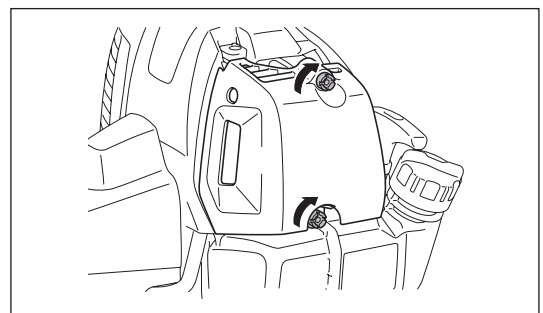
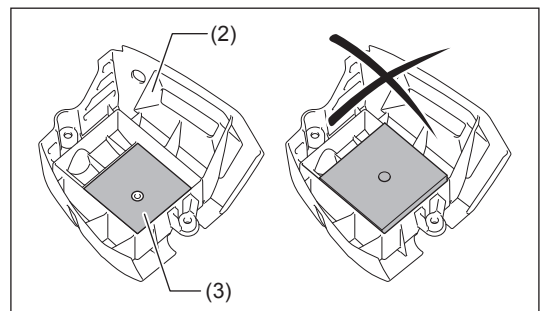
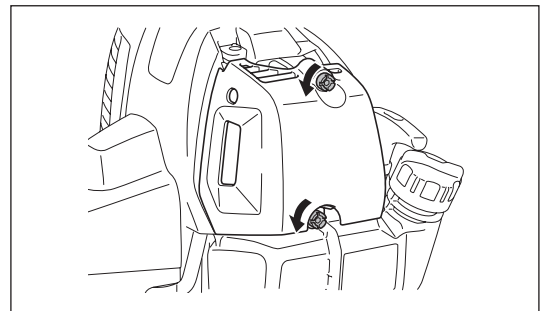
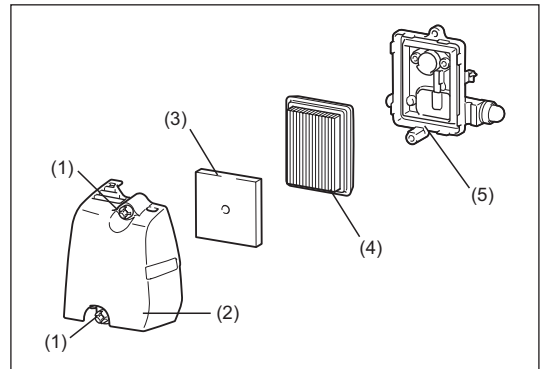
- Fjern elementene (3, 4) og bank på dem for å fjerne skitt.
- Ved kraftig forurensning:
  - 1) Fjern elementet (svampen) (3), legg den i varmt vann eller i et vannfortynnet, nøytralt rensemiddel, og tørk den helt. Ikke klem eller gni når du vasker.
  - 2) Rengjør elementet (papir) (4) ved å dunke det forsiktig. Hvis du kan bruke trykkluftblåser, blåser du med denne på innsiden av elementet (papir). Elementet (papir) skal ikke vaskes.
- Før du setter inn elementet (svamp) igjen, må du sørge for å tørke det helt. Hvis elementet (svamp) ikke er tilstrekkelig tørt, kan det føre til startvanskeligheter.
- Bruk en fille til å tørke opp olje fra området rundt luftfilterdekselet og separatorplaten (5).

#### Feste luftfilterdekselet

- Sett på plass elementet (svamp) og elementet (papir). Sett elementet (svamp) helt inn i luftfilterdekselet.
- Trekk til luftfilterdekselet med to festebolter.

### MERKNAD:

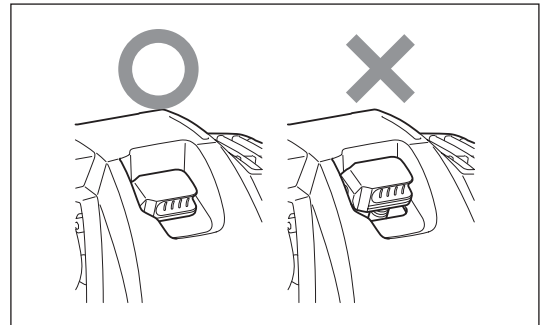
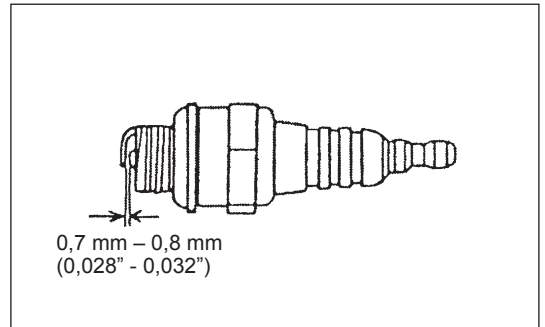
- Rengjør elementene flere ganger om dagen hvis det fester seg mye støv til dem. Skitne elementer reduserer motoreffekten og vanskeliggjør start av motoren.
- Fjern olje på elementene. Hvis operasjonen fortsetter uten at oljen er fjernet fra elementene, kan oljen i luftfilteret renne ut og kan forurense miljøet.
- Plasser ikke elementene på bakken eller et skittent sted. Ellers vil de bli skitne eller forurenset og kan skade motoren.
- Bruk aldri drivstoff til å rengjøre elementene. Drivstoff kan skade dem.



## KONTROLLERE TENNPLUGGEN

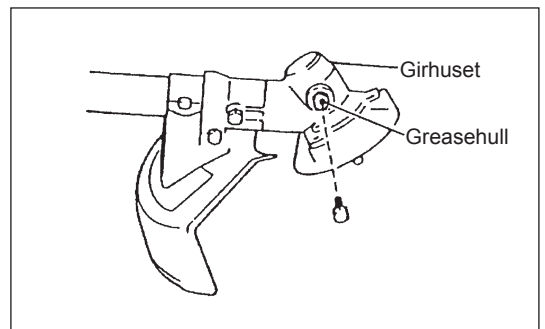
- Bruk kun den medfølgende kombinøkkelen til å fjerne eller installere tennpluggen.
  - Avstanden mellom de to elektrodene på tennpluggen bør være 0,7 – 0,8 mm (0,028" – 0,032"). Hvis elektrodeavstanden er for stor eller for liten, må den justeres. Hvis tennpluggen er tilstoppet eller forurenset, gjør den ordentlig ren eller skift den ut.
- Plasser tennpluggen riktig som illustrert etter å ha kontrollert.

**FORSIKTIG:** Berør ikke tennpluggen mens motoren er i gang (fare for elektrisk støt ved høyspenning).



## GREASETILFØRSEL TIL GIRHUSET

- Tilfør grease (Shell Alvania 2 eller tilsvarende) til girhuset gjennom greasehullet hver 30. time. (Ekte MAKITA-grease kan kjøpes fra MAKITA-forhandleren din.)



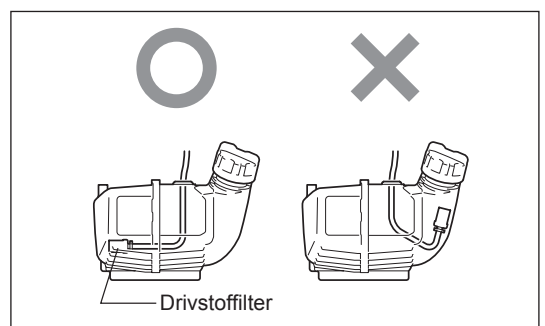
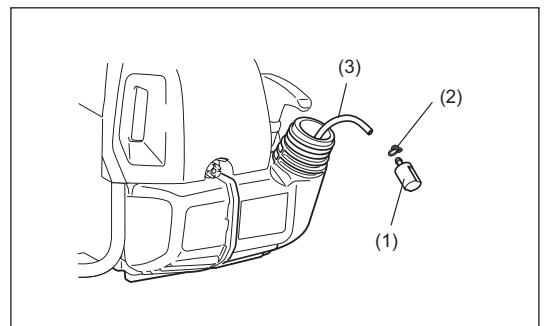
## RENGJØRE DRIVSTOFFILTERET

### ADVARSEL: BRENNBARE STOFFER STRENGT FORBUDT

Rengjørings- og inspeksjonsintervaller: Månedlig (hver 50. driftstime)

#### Sugesil i drivstofftanken

- Drivstofffilteret (1) brukes til å filtrere bensinen som forgasseren trenger.
- Drivstofffilteret må inspiseres visuelt med jevne mellomrom. Åpne tanklokket, bruk en ståltrådkrok og trekk ut sugesilen gjennom tankåpningen. Hvis drivstofffilteret blir hardt eller tilstoppet, må det skiftes ut.
- Skift ut drivstofffilteret minst én gang i kvartalet for å sikre at forgasseren får tilstrekkelig drivstofforsyning. Utilstrekkelig drivstofforsyning vil føre til startproblemer og begrenset maks.hastighet.
- Etter kontroll, rengjøring eller utskifting må drivstoffilteret festes på drivstoffslangen (3) med en slangeklemme (2). Skyv drivstoffilteret hele veien inn til bunnen av drivstofftanken.



## SKIFTE BENSINSLANGE

### FORSIKTIG: BRENNBARE STOFFER STRENGT FORBUDT

Rengjørings- og inspeksjonsintervaller: Daglig (hver 10. driftstime)

Skifte: Månedlig (hver 200. driftstime)

Skift ut bensinlangen årlig, uansett bruksfrekvens. Bensinlekkasje kan føre til brann.

Hvis en lekkasje oppdages under inspeksjon, må bensinlangen skiftes ut omgående.

## INSPEKSJON AV BOLTER, MUTTERE OG SKRUER

- Etterstram løse bolter, muttere osv.
- Kontroller at drivstofflokket og oljelokket er tett. Se etter bensin- og oljelekkasjer.
- Skift ut ødelagte deler med nye, av hensyn til driftssikkerheten.

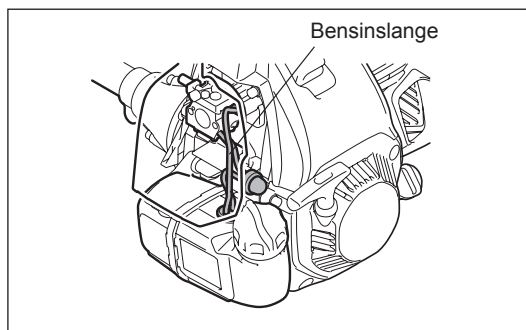
## RENGJØRE DELER

- Hold alltid motoren ren ved å tørke av den med en stoffille.
- Hold sylinderribbene frie for støv og smuss. Støv eller smuss som fester seg på ribbene, kan forårsake stempelskjæring.

## SKIFTE PAKNINGER

Skift pakninger hvis du har demontert motoren.

Vedlikeholdsarbeid eller justeringer som ikke er tatt med i eller beskrevet i denne bruksanvisningen, må kun utføres av autoriserte serviceteknikere.



## LAGRING

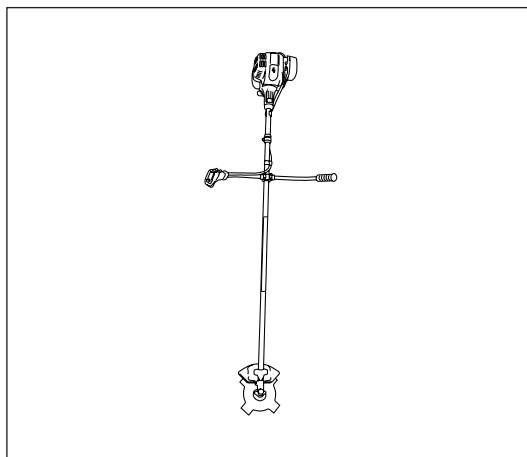


**ADVARSEL:** Motoren er fortsatt varm like etter at motoren stopper. Når du skal skifte ut drivstoffet må du la motoren kjøle seg ned etter å ha stoppet den. Ellers kan du få brannskader på huden eller det kan oppstå brann.



**FARE:** Når maskinen ikke skal brukes på lenge, må du tømme drivstofftanken og forgasseren fullstendig, og lagre maskinen på et tørt og rent sted.

- Tapp drivstoff fra drivstofftanken og forgasseren i henhold til følgende fremgangsmåte:
  - 1) Fjern drivstofftanklokket og tøm ut alt drivstoffet.  
Hvis det er igjen noen fremmedlegemer i drivstofftanken, må disse fjernes helt.
  - 2) Trekk ut drivstoffilteret av påfyllingsåpningen med en ståltråd.
  - 3) Pump med startpumpen til all drivstoffet er ute av pumpen, og tapp ut den drivstoffet som kommer inn i drivstofftanken.
  - 4) Sett tilbake filteret i drivstofftanken, og lukk drivstofftanklokket godt.
  - 5) Fortsett så å bruke maskinen til motoren stopper.
- Fjern tennpluggen og drypp flere dråper motorolje gjennom tennplugghullet.
- Trekk forsiktig i starthåndtaket slik at motoroljen blir fordelt i motoren, og sett tennpluggen på plass igjen.
- Fest dekselet til metallbladet.
- Som regel bør du lagre maskinen i horisontal stilling, men hvis det ikke er mulig, plasserer du maskinen slik at skjæreverktøyet kommer nedenfor motoren. Du må passe svært godt på at maskinen lagres slik at den ikke faller. Ellers kan det føre til personskader.
- Oppbevar det drenerte drivstoffet i en spesialbeholder på et mørkt sted med god ventilasjon.



### Vær oppmerksom på følgende etter langvarig lagring

- Før oppstart, når maskinen ikke har vært i bruk på lenge, sørg for at oljen skiftes (se s. 77). Olje brytes ned mens maskinen holdes ute av drift.



Kontrollpunkt \ Driftstid		Før bruk	Etter påfyll av drivstoff	Daglig (10 t)	30 t	50 t	200 t	Før lagring	Tilsvarende P
Motorolje	Inspiseres/ rengjøres	○							67
	Skift					○*1			77
Deler som må strammes (bolter, muttere)	Inspiseres	○							79
Drivstofftank	Rengjøres/ inspiseres	○							—
	Tapp drivstoff							○*3	80
Gasshendel	Kontroller funksjon		○						—
Stoppbryter	Kontroller funksjon		○						77
Skjæreverktøy	Inspiseres	○		○					64
Tomgangsturtall	Inspiseres/ justeres			○					73
Luffilter	Rengjør			○					78
Tennplugg	Inspiseres			○					79
Kjøleluftinnløp og sylinderribber	Rengjøres/ inspiseres			○					80
Bensinslange	Inspiseres			○					80
	Skift						⊙*2		—
Girhusgrease	Etterfylling				○				79
Drivstoffilter	Rengjøres/ skiftes					○			79
Avstand mellom ventiler (innløpsventil og utløpsventil)	Inspiseres/ justeres						⊙*2		—
Forgasser	Tapp drivstoff							○*3	80

\*1 Utfør første skift etter 20 driftstimer.

\*2 Når det gjelder inspeksjon etter 200 driftstimer, ta kontakt med en autorisert servicetekniker eller et maskinverksted

\*3 Etter at drivstofftanken er tømt, fortsett å kjøre motoren og tapp bensinen fra forgasseren.

## FEILSØKING

Før du bestiller reparasjon, foreta feilsøk selv. Hvis det oppdages noe unormalt, kontroller maskinen i henhold til beskrivelsen i denne bruksanvisningen. Ikke modifier eller demonter noen del i strid med denne beskrivelsen. Når det gjelder reparasjoner, ta kontakt med en autorisert servicetekniker eller en forhandler.

Feiltilstand	Mulig årsak (funksjonsfeil)	Avhjelpende tiltak
Motoren starter ikke	I-O-bryter er satt til STOP.	Still inn I-O-bryteren på OPERATION (Drift).
	Du har ikke brukt startpumpen	Pump sju til ti ganger
	Du trakk ikke raskt nok i startsnoren	Trekk kraftig
	For lite drivstoff	Fyll på drivstoff
	Tett drivstoffilter	Rengjør
	Bøyd drivstoffrør	Ret ut drivstoffrøret
	Dårlig drivstoffkvalitet	Hvis bensinen er nedbrutt, er det vanskelig å starte. Skift ut med ny bensin. (Anbefalt intervall: 1 måned)
	For mye drivstoff er sugd inn	Juster gasshendelen fra middels turtall til høyt turtall, og trekk i starthåndtaket til motoren starter. <b>Så snart motoren starter, begynner metallblad å rotere. Vær meget oppmerksom på metallblad.</b> Hvis motoren fortsatt ikke vil starte, fjern tennpluggen, la elektroden tørke, og monter den som den var i utgangspunktet. Start deretter som beskrevet.
	Demontert tennpluggchette	Fest godt
	Forurenset tennplugg	Rengjør
	Unormal tennpluggavstand	Juster avstanden
	Noe annet galt med tennpluggen	Skift
	Feil ved forgasseren	Bestill tid for inspeksjon og vedlikehold
	Det går ikke an å trekke i startsnoren	Bestill tid for inspeksjon og vedlikehold
Feil i motorsystemet	Bestill tid for inspeksjon og vedlikehold	
Motoren stopper nesten med en gang Motorturtallet øker ikke	Utilstrekkelig oppvarming	Foreta oppvarmingskjøring
	Choken er stilt inn på "CLOSE" (STENGT), selv om motoren er varm.	Still inn på "OPEN" (ÅPEN)
	Tett drivstoffilter	Rengjør
	Forurenset eller tett luftfilter	Rengjør
	Feil ved forgasseren	Bestill tid for inspeksjon og vedlikehold
	Feil i motorsystemet	Bestill tid for inspeksjon og vedlikehold
Metallbladet roterer ikke ↓ Stopp motoren omgående	Løsnet metallblad-strammemutter	Stram godt
	Greiner har satt seg fast i metallbladet eller sprutverndekselet.	Fjern fremmedlegemer
	Feil i motorsystemet	Bestill tid for inspeksjon og vedlikehold
Hovedenheten vibrerer unormalt ↓ Stopp motoren omgående	Brukket, bøyd eller slitt metallblad	Erstatt metallblad
	Løsnet metallblad-strammemutter	Stram godt
	Skiftet konveks del av metallbladet og støttefittingen til metallbladet.	Fest godt
	Feil i motorsystemet	Bestill tid for inspeksjon og vedlikehold
Metallbladet stopper ikke omgående ↓ Stopp motoren omgående	Høy rotasjon på tomgang	Juster
	Demontert gasswire	Fest godt
	Feil i motorsystemet	Bestill tid for inspeksjon og vedlikehold
Motoren stopper ikke ↓ Kjør motoren på tomgang, og sett choken på "CLOSE" (STENGT).	Frakoblet kontakt	Fest godt
	Feil i det elektriske anlegget	Bestill tid for inspeksjon og vedlikehold

Når motoren ikke starter etter oppvarmingsprosedyren:  
Hvis ingen feil er funnet blant kontrollpunktene, øk gasspådraget til ca. 1/3 og start motoren.

Olemme iloisia, että olet hankkinut MAKITAN ulkokäyttöön tarkoitettua pienkoneen. Suosittelemme lämpimästi tätä MAKITA-tuotetta, joka on pitkän kehitystyön ja vuosien aikana kerättyjen tietojen ja kokemusten tulos. Lue tämä käyttöohje huolellisesti ja noudata siinä annettuja ohjeita. Käyttöohjeessa käydään yksityiskohtaisesti läpi laitteen tehokkaat ominaisuudet. Näihin tietoihin perehtymällä saat suurimman hyödyn hankkimastasi MAKITA-tuotteesta.



Sisällysluettelo	Sivu
Symbolit.....	83
Turvallisuusohjeet.....	84
Tekniset tiedot.....	88
Osien sijainti .....	89
Kahvan kiinnittäminen .....	90
Suojaimen kiinnittäminen.....	91
Metalliterän ja nailonsiimapään kiinnittäminen .....	93
Ennen käyttöä.....	94
Laitteen oikea käsittely .....	96
Käytön vaiheet ja pysäyttäminen.....	98
Leikkaustyökalun uudelleenteroitus.....	101
Huolto-ohjeet .....	104
Säilytys .....	107

## SYMBOLIT

Käyttöohjeessa on käytetty seuraavia symboleja.

	Lue tämä käyttöohje ja noudata annettuja varoituksia ja varotoimia.		Älä päästä työskentelyalueelle ihmisiä tai eläimiä!
	Noudata erityistä varovaisuutta!		Käytä suojakypärää sekä silmä- ja kuulosuojaimia!
	Kielletty!		Työkalun suurin sallittu nopeus
	Säilytä turvaväli!		Polttoaine (benssiini)
	Varo lentäviä esineitä!		Moottorin käsikäynnistys
	Takapotku!		Hätäpysäytys
	Tupakointi kielletty!		Ensiapu
	Avotulen teko kielletty!		PÄÄLLE/KÄYNNISTYS
	Käytä suojakäsineitä!		POIS PÄÄLTÄ/SEIS
	Käytä tukevia saappaita, joissa on luistamaton pohja. On suositeltavaa käyttää teräskärkisiä turvasaappaita!		KAASUVIVUN LUKITUSASENTO

## Yleisiä ohjeita

- Tutustu laitteen käsittelyyn lukemalla tämä käyttöohje. Käyttäjä, joka ei ole tutustunut ohjeisiin kunnolla, vaarantaa sekä itsensä että muut käsittelemällä laitetta väärin.
- Laitteen saa luovuttaa ainoastaan sellaisten henkilöiden käyttöön, joiden tiedetään osaavan käsitellä sitä.  
Anna laitteen lainaajalle aina myös käyttöohje mukaan.
- Ensikertalaisten kannattaa pyytää laitteen myyjältä perehdytystä pensasleikkurien käyttöön.
- Lasten tai alle 18-vuotiaiden ei saa antaa käyttää laitetta. 16 vuotta täyttäneet henkilöt voivat kuitenkin harjoitella laitteen käyttöä pätevän kouluttajan valvonnassa.
- Laitetta käytettäessä tulee olla äärimmäisen huolellinen ja varovainen.
- Käytä laitetta vain, jos olet hyvässä fyysisessä kunnossa. Työskentele rauhallisesti ja varovaisesti. Käyttäjän on otettava vastuu muista ihmisistä.
- Älä koskaan käytä laitetta käytettyäsi alkoholia tai huumeita tai ollessasi väsynyt tai sairas.
- Eri maiden määräykset saattavat sisältää laitteen käyttöä koskevia rajoituksia.

## Laitteen käyttötarkoitus

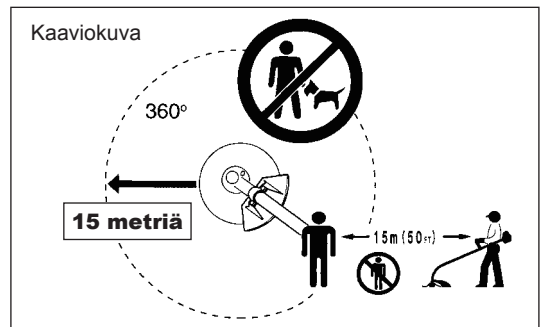
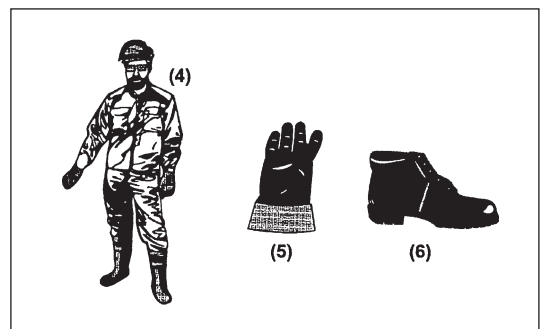
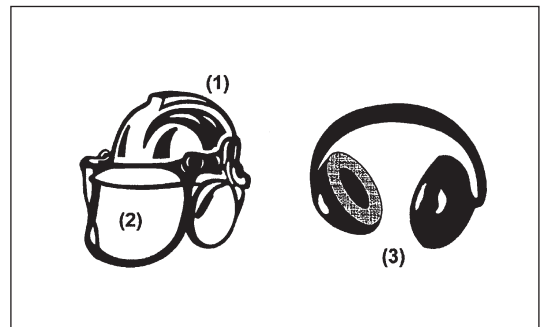
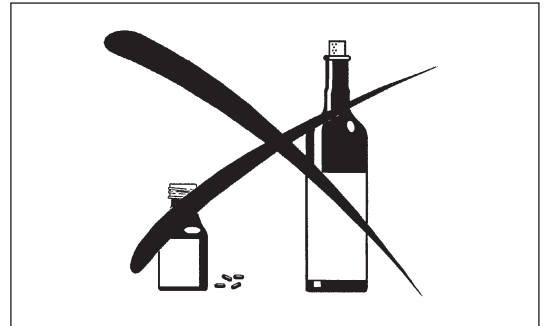
- Tämä laite on tarkoitettu nurmikon, rikkakasvien, pensaiden ja vesakon leikkaamiseen. Sitä ei saa käyttää muihin tarkoituksiin, kuten reunojen tasaamiseen tai pensasaidan leikkaamiseen, sillä tällainen käyttö voi aiheuttaa loukkaantumisen.

## Henkilönsuojaimet

- Käytettävän vaatetuksen tulee olla asianmukaista ja käytännöllistä. Vaatteiden tulee olla tyköistuvia, mutta ne eivät kuitenkaan saa haitata liikkumista. Älä pidä yllä koruja tai vaatteita, jotka voivat tarttua pensasiin tai oksiin.
- Seuraavia suojavälineitä sekä -vaatetusta on käytettävä laitetta käytettäessä, jotta mahdolliset pää-, silmä-, käsi- tai jalkavammat samoin kuin kuulovammat voidaan välttää.
- Käytä aina kypärää, jos työskentelyalueelle voi pudota esineitä. Suojakypärä (1) on tarkastettava säännöllisin väliajoin vioittumisen varalta ja vaihdettava viimeistään viiden vuoden kuluttua. Käytä ainoastaan hyväksytyä suojakypärää.
- Kypärän kasvosuojuksen (2) (tai vaihtoehtoisesti suojalasien) tehtävänä on suojata kasvoja lentäviltä irtoroskilta ja kiviltä. Laitteen käytön aikana silmät on aina suojattava suojalaseilla tai visiirillä.
- Käytä kuuluvaurioiden välttämiseksi aina asianmukaisia melusuojaimia (kuulonsuojaimia (3) tai korvatulppia).
- Työhaalarit (4) suojaavat lentäviltä kiviltä ja irtoroskilta. Työhaalarien käyttäminen on erittäin suositeltavaa.
- Käsineet (5) kuuluvat pakollisiin suojavarusteisiin, joita on aina käytettävä laitetta käytettäessä.
- Käytä laitetta käyttäessäsi aina tukevia kenkiä (6), joissa on luistamaton pohja. Näin varmistat tukevan jalansijan ja vältät loukkaantumisen.

## Pensasleikkurin käynnistys

- Varmista, että työskentelyalueella ei ole lapsia tai muita ihmisiä 15 metrin säteellä. Huomioi myös työskentelyalueen lähetyvillä olevat eläimet.
- Varmista aina ennen käyttöä, että laitteen käyttö on turvallista. Tarkasta leikkaustyökalun, kaasuvivun ja kaasuvivun lukitsimen asianmukainen toiminta.
- Leikkaustyökalu ei saa pyöriä joutokäynnin aikana. Pyydä tarvittaessa jälleenmyyjää tarkistamaan säätö. Varmista, että kädensijat ovat puhtaat ja kuivat, ja tarkasta käynnistys-/pysäytyskytkimen toiminta.

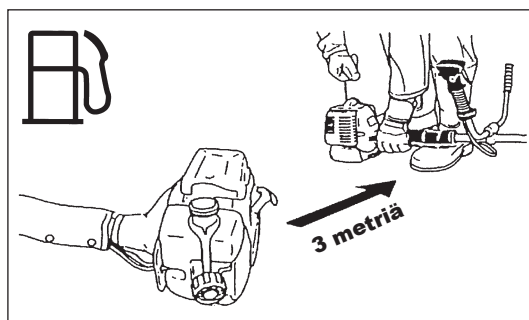
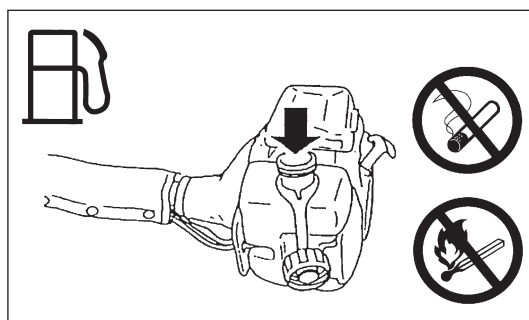
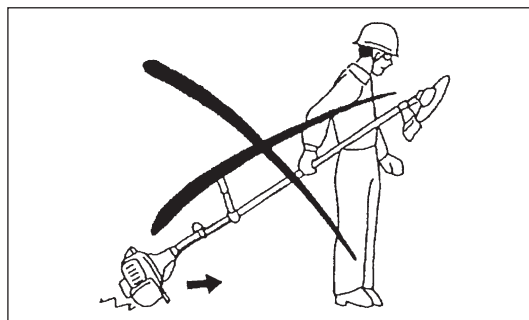
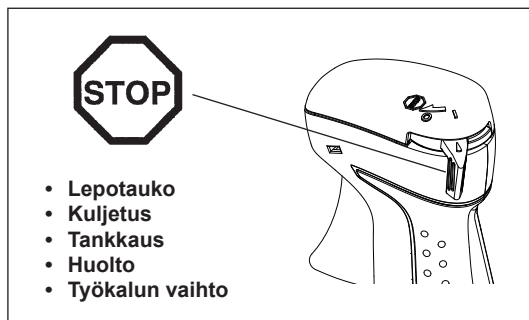
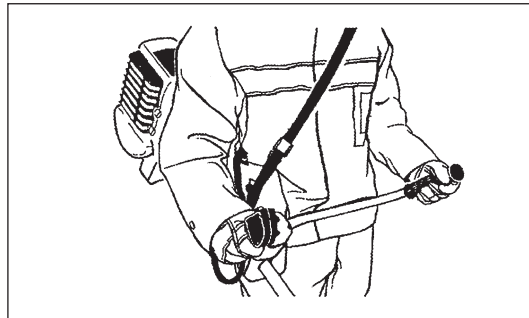
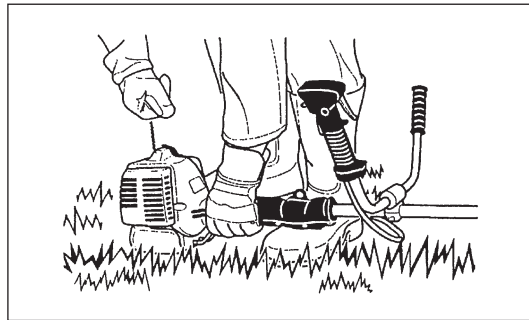


Käynnistä pensasleikkuri ainoastaan ohjeissa kuvatulla tavalla.

- Älä koskaan käynnistä moottoria millään muulla tavalla!
- Käytä pensasleikkuria ja lisävarusteita ainoastaan ilmoitettuihin käyttötarkoituksiin.
- Käynnistä moottori vasta sitten, kun kokoonpano on täysin suoritettu. Laitetta saa käyttää vasta, kun kaikki siihen kuuluvat osat on kiinnitetty paikalleen.
- Varmista ennen käynnistystä, että leikkaustyökalu ei kosketa kovia esineitä, kuten oksia, kiviä jne., sillä leikkaustyökalu pyörii käynnistettäessä.
- Moottori on sammutettava heti, jos siihen tulee jokin häiriö.
- Jos leikkaustyökalu osuu kiviin tai muihin koviin esineisiin, sammuta moottori välittömästi ja tarkasta leikkaustyökalu.
- Tarkasta leikkaustyökalu säännöllisin väliajoin vaurioiden varalta (hiusmurtumien tarkastus koputtelemalla).
- Jos laitteeseen kohdistuu voimakas isku tai se putoaa, tarkista sen kunto ennen työn jatkamista. Tarkista, ettei polttoainejärjestelmä vuoda ja ettei hallintalaitteissa tai turvallisuusvarusteissa ole vikoja. Jos on syytä epäillä laitteen vaurioituneen, pyydä valtuutettua huoltoiliikettämme tarkistamaan ja tarvittaessa huoltamaan laite.
- Käytä laitetta vain olkahihna paikalleen kiinnitettynä. Hihna pitää säätää sopivaksi ennen pensasleikkurin käyttämistä. On tärkeää säätää olkahihna käyttäjän kokoon sopivaksi niin, ettei käyttäjä väsy käytön aikana. Älä koskaan kannattele leikkuria yhdellä kädellä käytön aikana.
- Pidä pensasleikkurista aina molemmin käsin kiinni käytön aikana. Varmista tukeva jalansija.
- Käytä laitetta siten, että et joudu hengittämään pakokaasuja. Älä koskaan käytä moottoria suljetussa tilassa (kaasumyrkytysvaara). Häkä on hajuton kaasu.
- Sammuta moottori lepotaukoajaksi sekä silloin, kun jätät laitteen ilman valvontaa. Säilytä laitetta turvallisessa paikassa niin, että muut eivät joudu vaaraan eikä laite vioitu.
- Älä koskaan laske kuumaa pensasleikkuria kuivalle ruohikolle tai minkään syttyvän materiaalin päälle.
- Asenna hyväksytty leikkaustyökalun suojuksen laitteeseen aina ennen moottorin käynnistämistä. Leikkaustyökalun osuma voi aiheuttaa vakavia vammoja.
- Kaikkia laitteen mukana toimitettuja turvalaitteita ja suojuksia tulee käyttää käytön aikana.
- Älä koskaan käytä moottoria, jos pakoputken äänenvaimennin on vioittunut.
- Sammuta moottori kuljetuksen ajaksi.
- Kiinnitä aina suojuksen metalliterään laitteen kuljetuksen ajaksi.
- Varmista, että polttomoottorikäyttöinen siimaleikkuri on autokuljetuksen aikana asennossa, jossa siitä ei pääse vuotamaan polttoainetta.
- Varmista, että polttoainesäiliö on aivan tyhjä, kun kuljetat laitetta.
- Kun laite puretaan kuormasta, varo pudottamasta moottoria maahan, sillä se voi vaurioittaa pahoin polttoainesäiliötä.
- Älä koskaan pudota tai heitä laitetta maahan muutoin kuin hätätilanteessa, sillä se voi aiheuttaa laitteella vakavia vaurioita.
- Muista nostaa laite irti maasta sitä siirtäessäsi. Polttoainesäiliön vetäminen pitkin maata on vaarallista ja voi aiheuttaa polttoainevuodon, josta voi seurata tulipalo.

## Tankkaus

- Sammuta moottori tankkaamisen ajaksi, pysy kaukana avotulesta äläkä tupakoi.
- Vältä ihokosketusta mineraaliöljytuotteisiin. Älä hengitä bensiinihöyryjä. Käytä tankkaamisen aikana suojakäsineitä. Vaihda ja puhdista suojavaatteet säännöllisin väliajoin.
- Vältä polttoaineen ja öljyn läikyttämistä, jotta maaperä ei saastu (luonnonsuojelu). Puhdista pensasleikkuri välittömästi, jos polttoainetta on päässyt läikkymään.
- Varo läikyttämästä polttoainetta vaatteillesi. Vaihda vaatteet välittömästi, jos niille on läikkynyt polttoainetta (tulipalovaara).
- Tarkista aika ajoin, että polttoainesäiliön korkin saa kunnolla kiinni ja ettei se vuoda.
- Kierrä polttoainesäiliön korkki tiukasti kiinni. Siirry toiseen paikkaan käynnistämään moottori (vähintään 3 metrin päähän tankkauspisteestä).
- Älä koskaan tankkaa suljetussa tilassa. Bensiinihöyryt tiivistyvät maanpinnan tasolle (räjähdysvaara).
- Kuljeta ja säilytä polttoainetta ainoastaan niille tarkoitetuissa astioissa. Huolehdi, että lapset eivät pääse käsiksi polttoaineeseen.



## Käyttötavat

- Käytä laitetta vain silloin, kun valaistus ja näkyvyys on hyvä. Varo talviaikaan liukkaita tai märkiä alueita, jäätä ja lunta (liukastumisvaara). Varmista aina tukeva jalansija.
- Älä koskaan leikkaa korkeammalta kuin vyötärön korkeudelta.
- Älä koskaan seiso tikkailla.
- Älä koskaan kiipeä puuhun laitteella leikatessasi.
- Älä työskentele epävakailla alustoilla.
- Poista hiekka, kivet, naulat jne. työskentelyalueelta. Vierasesineet voivat vahingoittaa leikkaustyökalua ja aiheuttaa vaarallisia takapotkuja.
- Leikkaustyökalun pitää pyöriä täydellä nopeudella ennen leikkaamisen aloittamista.
- Kun käytät metalliteriä, liikuta työkalua tasaisesti puoliympyrän muotoisella liikkeellä oikealta vasemmalle kuin käyttäisit viikatetta. Jos leikkuuterään ja suojukseen tarttuu ruohoa tai oksia, sammuta aina moottori ennen niiden puhdistamista. Pyörivä terä voi aiheuttaa vakavia vammoja.
- Pidä lepotaukoja, jotta et väsymyksen takia menetä laitteen hallintaa. On suositeltavaa pitää tunnin välein 10–20 minuutin tauko.

## Leikkaustyökalut

- Käytä vain käsillä olevaan työhön sopivaa leikkaustyökalua. Nailonsiimapäät (viimeistelyleikkuripäät) sopivat nurmikon viimeistelyleikkuuseen. Metalliterät sopivat rikkaruohojen, pitkän heinikon, pensaiden, oksien, vesakon, risujen ja vastaavan leikkaamisen. Älä koskaan käytä muita teriä, esimerkiksi moniosaisia nivellettyjä metalliteriä tai varstateriä. Ne voivat aiheuttaa vakavia vammoja.
- Kun käytät metalliteriä, varo takapotkua ja ole aina valmiina takapotkun varalta. Katso lisätietoja kohdista "Takapotku" ja "Takapotkujen ennaltaehkäisy".

## Takapotku (terän äkillinen ponnahtus)

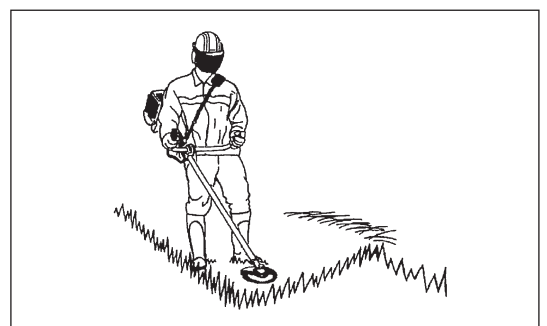
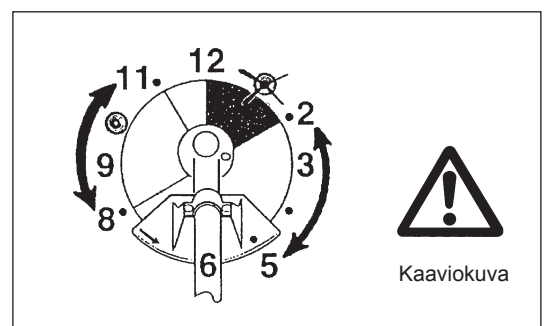
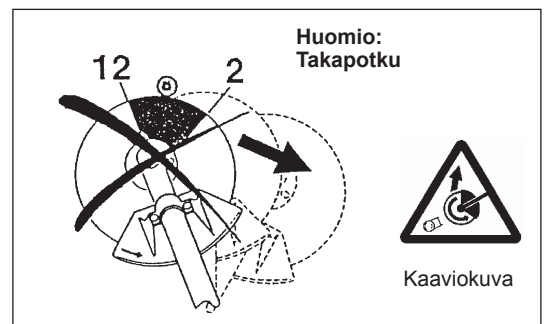
- Takapotku (terän äkillinen ponnahtus) on äkillinen vastakkainen liike, jonka aiheuttaa kiinni juuttunut metalliterä. Takapotkun tapahtuessa laite sinkoutuu sivulle tai kohti käyttäjää suurella voimalla, mikä voi aiheuttaa vakavia vammoja.
- Takapotkuja tapahtuu erityisesti yritettäessä leikata yli 3 cm:n paksuista puuta tai pensasta sektorilla, joka on kello 12:n ja 2:n välissä.
- Ohjeet takapotkun välttämiseksi:
  - Leikkaa puu kohdasta, joka on kello 8:n ja 11:n välissä.
  - Älä koskaan leikkaa puuta kohdasta, joka on kello 12:n ja 2:n välissä.
  - Leikkaa puuta kello 11:n ja 12:n kohtien tai tai kellon 2:n ja 5:n kohtien välillä vain, jos olet kokenut työkalun käyttäjä ja olet valmis tekemään niin omalla vastuullasi.
  - Älä koskaan käytä metalliteriä kiinteiden kohteiden (esimerkiksi aitojen, puunrunkojen tai kivien) lähellä.
  - Älä koskaan käytä metalliteriä pystysuunnassa leikkaamiseen, esimerkiksi pensasaitojen tasoittamiseen.

## Tärinä

- Voimakas tärinä voi aiheuttaa heikosta verenkierrosta kärsiville henkilöille verisuoni- tai hermostovammoja. Tärinä voi aiheuttaa seuraavia oireita sormissa, käsissä tai ranteissa: tunnottomuutta, pistelevää kipua, pistoksia, ihonvärin tai ihon muutoksia. Jos tällaisia oireita ilmenee, hakeudu lääkäriin hoitoon!
- Voit pienentää valkosormisuussyndrooman riskiä pitämällä kätesi lämpiminä käytön aikana ja huolehtimalla siitä, että laite ja sen lisävarusteet ovat kunnossa.

## Huolto-ohjeet

- Huollata laitteesi vain valtuutetussa huoltoliikkeessämme ja käytä vain alkuperäisiä varaosia. Virheelliset korjaukset ja huono kunnossapito voivat lyhentää laitteen käyttöikää ja suurentaa tapaturmien vaaraa.
- Leikkurin sekä erityisesti leikkaustyökalun, suojalaitteiden ja olkahihnan kunto pitää tarkastaa ennen käytön aloittamista. Eryistä huomiota tulee kiinnittää metalliteriin, joiden pitää olla asianmukaisesti teroitettuja.
- Sammuta moottori ja irrota sytytystulpan johto teriä teroitettaessa ja vaihdettaessa sekä myös leikkuria tai terää puhdistettaessa.



## Älä koskaan suorista tai hitsaa vioittuneita leikkaustyökaluja.

- Huomioi ympäristöseikat. Pyri vähentämään pakokaasu- ja melupäästöjä välttämällä tarpeetonta kaasunkäyttöä. Säädä kaasutin oikein.
- Puhdista laite säännöllisin väliajoin ja tarkista, että kaikki ruuvit ja mutterit ovat tiukasti kiinni.
- Älä koskaan huolla tai säilytä laitetta avotulen läheisyydessä.
- Säilytä laitetta lukitussa tilassa polttoainesäiliö tyhjennettynä.
- Kiinnitä aina suojaus metalliterään laitteen puhdistuksen, huollon ja varastoinnin ajaksi.



Noudata kaikkia asiaankuuluvien järjestöjen ja vakuutusyhtiöiden onnettomuuksien välttämiseksi antamia ohjeita. Älä tee laitteeseen mitään muutoksia, sillä se voi vaarantaa turvallisuutesi.

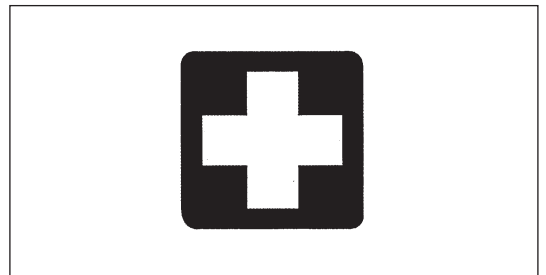
Käyttäjälle varatut huolto- ja korjaustyöt rajoittuvat tässä oppaassa kuvattuihin toimiin. Kaikki muut työt tulee jättää valtuutetun huoltoliikkeen tehtäväksi. Käytä ainoastaan aitoja MAKITA-varaosia ja -tarvikkeita. Muiden osien ja tarvikkeiden käyttö lisää onnettomuuksien riskiä. MAKITA ei vastaa tapaturmista tai vammoista, jotka johtuvat muiden kuin hyväksytyjen leikkaustyökalujen ja niiden kiinnitysvälineiden sekä lisävarusteiden käytöstä.

## Ensiapu

Pida leikkuualueen lähetyvillä ensiapulaukku valmiina onnettomuuksien varalta. Täydennä ensiapulaukku sisältöä aina käytön mukaan.

## Kun hälytät apua, ilmoita seuraavat tiedot:

- onnettomuuspaikka
- mitä on tapahtunut
- loukkaantuneiden henkilöiden lukumäärä
- vammojen laatu
- oma nimesi.



---

Koskee vain Euroopan maita

## EY-vaatimustenmukaisuusvakuutus

**Vastuullinen valmistaja Makita Corporation ilmoittaa vastaavansa siitä, että seuraava(t) Makitan valmistama(t) kone(et):**

Koneen tunnistetiedot: Bensiinikäyttöinen pensasleikkuri  
Mallinro/tyyppi: EM4351UH, EM4350UH, EM4350LH  
Tekniset tiedot: ks. "TEKNISET TIEDOT" -taulukko

ovat sarjavalmisteesia ja

**täyttävät seuraavien eurooppalaisten direktiivien vaatimukset:**

2000/14/EY, 2006/42/EY

ja että ne on valmistettu seuraavien standardien tai standardoitujen asiakirjojen mukaisesti:

EN ISO 11806-1

Teknisen dokumentaation ylläpidosta vastaa valtuutettu Euroopan-edustajamme, jonka yhteystiedot ovat:

Makita International Europe Ltd.,  
Michigan Drive, Tongwell, Milton Keynes, Bucks MK15 8JD, England

Direktiivissä 2000/14/EY edellytetty vaatimustenmukaisuusarviointi tehtiin liitteen V mukaisesti.

EM4351UH:

Mitattu äänitehotaso: 114,3 dB

Taattu äänitehotaso: 116 dB

EM4350UH:

Mitattu äänitehotaso: 113,8 dB

Taattu äänitehotaso: 115 dB

EM4350LH:

Mitattu äänitehotaso: 110,7 dB

Taattu äänitehotaso: 112 dB

8. 9. 2011



Tomoyasu Kato  
Johtaja  
Makita Corporation  
3-11-8, Sumiyoshi-cho,  
Anjo, Aichi, JAPAN

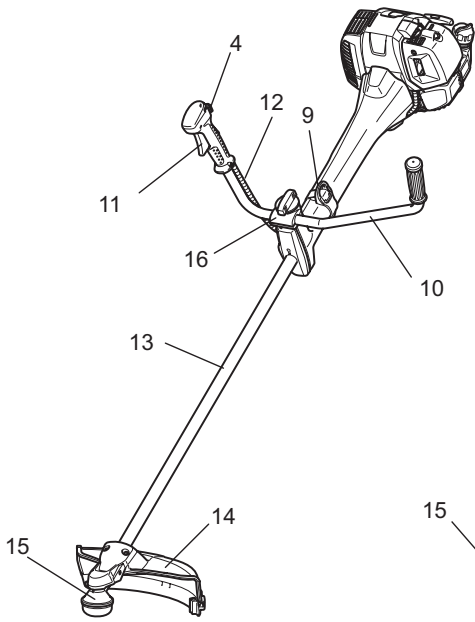
## TEKNISET TIEDOT: EM4351UH, EM4350UH, EM4350LH

Malli			EM4351UH	EM4350UH	EM4350LH					
Kahvan tyyppi			Pyöränkahva	Pyöränkahva	Silmukkahva					
Mitat: pituus x leveys x korkeus (ilman leikkaustyökäluä)			mm	1 812 x 618 x 528	1 812 x 635 x 460	1 812 x 339 x 250				
Paino (ilman muovisuojusta ja leikkaustyökäluä)			kg	8,6	8,3	7,9				
Tilavuus (polttoainesäiliö)			l	0,6						
Tilavuus (öljysäiliö)			l	0,1						
Moottorin tilavuus			cm <sup>3</sup>	43,0						
Moottorin huipputeho			kW	1,5 nopeudella 7 500 min <sup>-1</sup>						
Moottorin kierrosluku suositellulla akselin enimmäispyörimisnopeudella			min <sup>-1</sup>	10 500						
Akselin enimmäispyörimisnopeus (vastaava)			min <sup>-1</sup>	7 200						
Joutokäyntinopeus			min <sup>-1</sup>	3 000						
Kytkimen kytketymiskierrosluku			min <sup>-1</sup>	4 000						
Kaasutin			Kalvokaasutin							
Sytytysjärjestelmä			Kärjetön, magneettityyppinen							
Sytytystulppa			tyyppi	NGK CMR6A						
Elektrodien kärkiväli			mm	0,7 - 0,8						
				LEIKUUTERÄ	NAILONSIIMAPÄÄ	LEIKUUTERÄ	NAILONSIIMAPÄÄ	LEIKUUTERÄ	NAILONSIIMAPÄÄ	
Tärinä ISO 22867 - standardin mukaan	Oikea kahva (takakahva)	$a_{hv\ eq}$	m/s <sup>2</sup>	2,2	2,5	3,1	4,0	4,2	2,6	
		Virhemarginaali K	m/s <sup>2</sup>	0,5	0,3	0,5	0,7	1,1	0,7	
	Vasen kahva (etukahva)	$a_{hv\ eq}$	m/s <sup>2</sup>	1,7	2,6	4,8	5,0	3,8	3,7	
		Virhemarginaali K	m/s <sup>2</sup>	0,5	1,3	2,9	0,6	1,0	1,4	
Keskimääräinen äänenpainetaso standardin ISO 22868 mukaan			$L_{PA\ eq}$	dBA	92,4	99,8	91,2	99,1	92,8	94,9
			Virhemarginaali K	dBA	1,8	1,0	2,2	1,3	1,6	2,1
Keskimääräinen äänitehotaso standardin ISO 22868 mukaan			$L_{WA\ eq}$	dBA	101,8	114,3	103,1	113,8	103,4	107,7
			Virhemarginaali K	dBA	1,8	1,5	1,1	1,1	1,5	1,2
Polttoaine			Moottoribensiini							
Moottoriöljy			API-luokituksestaan vähintään SF-tasoinen SAE 10W-30 -öljy (autoihin tarkoitettu nelitahtimoottoriöljy)							
Leikkaustyökäluet (leikkuuterän halkaisija)			mm	305 (kolmiteräinen)						
Välityssuhde			13/19							

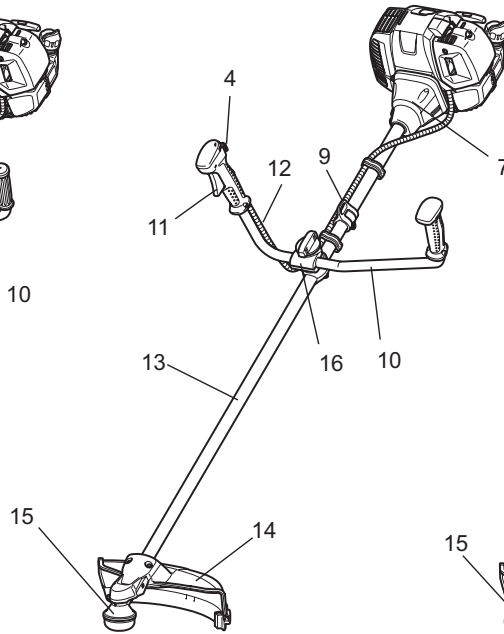


## OSIEN SIJAINTI

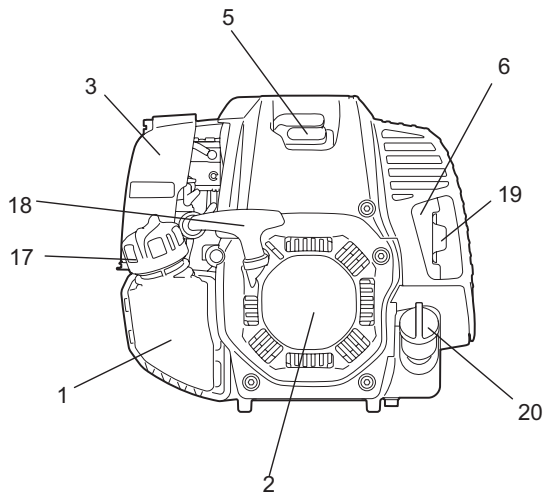
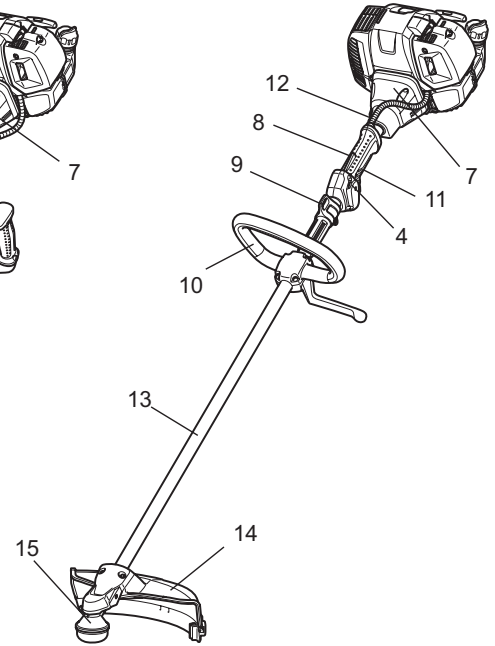
### EM4351UH



### EM4350UH



### EM4350LH



FIN	OSIEN SIJAINTI
1	Polttoainesäiliö
2	Vetokäynnistin
3	Ilmanpuhdistin
4	I-O-kytkin ja kaasuvivun lukituskytkin (päällä/pois päältä)
5	Sytytystulppa
6	Pakoputken äänenvaimennin
7	Kytkimen kotelo
8	Takakahva
9	Ripustin
10	Kahva
11	Kaasuvipu
12	Ohjausvaijeri
13	Akseli
14	Suojus (teränsuojus)
15	Hammasrattaiston kotelo / pääkotelo
16	Kahvan pidin
17	Polttoainesäiliön korkki
18	Käynnistinkahva
19	Pakoputki
20	Öljysäiliön korkki

## KAHVAN KIINNITTÄMINEN

HUOMIO: Moottori on sammutettava ja sytytystulpan johto irrotettava tulpasta aina ennen työkalulle tehtäviä huoltotoimia.  
Käytä aina suojakäsineitä.

HUOMIO: Käynnistä moottori vasta, kun kaikki osat on kiinnitetty.

### Mallit EM4351UH ja EM4350UH

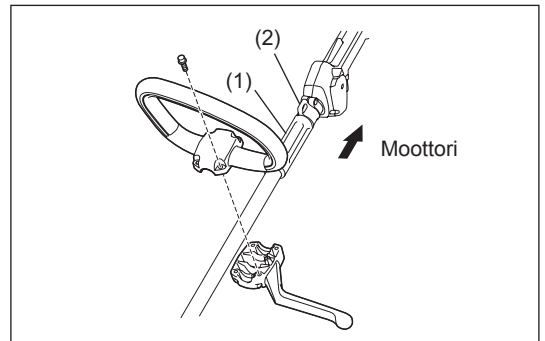
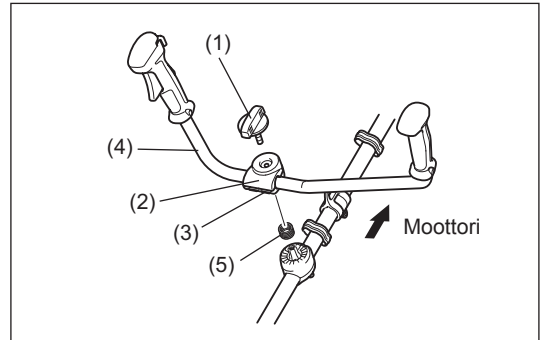
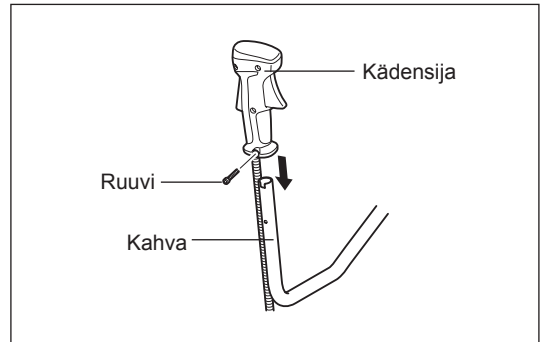
Työnnä kahvan varsi kädensijaan kuvassa esitetyllä tavalla.  
Kohdista kädensijassa oleva ruuvinreikä kahvassa olevaan ruuvinreikään.  
Kiristä ruuvi tiukasti.

- Löysää nuppi (1).
- Aseta kahva (4) kahvan kiinnitysholkin (2) ja pitimen (3) väliin.
- Säädä kahva (4) kulmaan, joka mahdollistaa miellyttävän työskentelyasennon, ja kiristä nuppi (1) sitten tiukasti käsin kääntämällä.

HUOMIO: Älä unohda kiinnittää joustaa (5).

### Malli EM4350LH

- Kiinnitä silmukkakahva varteen neljällä ruuvilla.
- Jotta kahvojen välinen etäisyys säilyisi oikeana, asenna välikappale (1) silmukkakahvan ja ripustimen (2) väliin.



## SUOJAIMEN KIINNITTÄMINEN

Turvallisuussyistä laitteen kanssa saa käyttää vain taulukossa ilmoitettuja työkalu-suojain-yhdistelmiä.

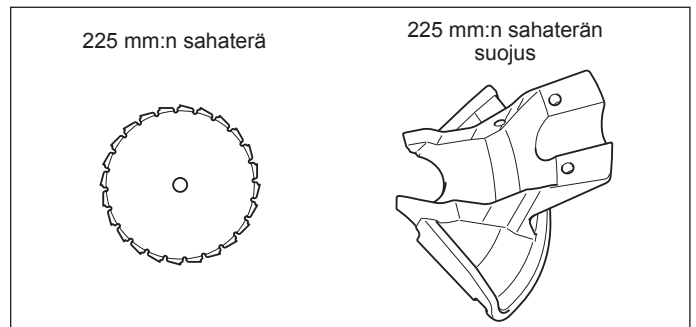
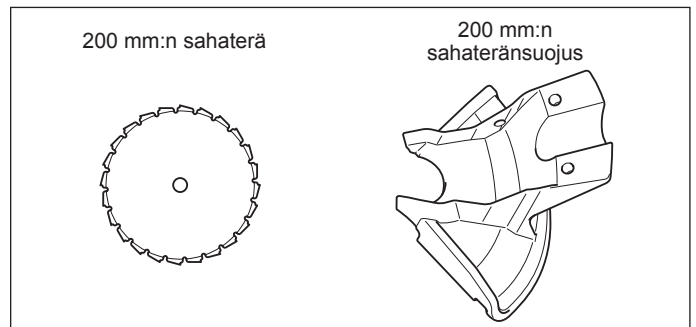
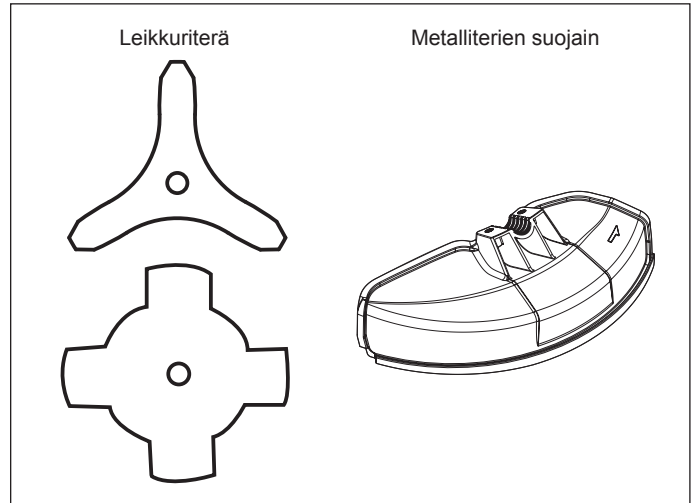


### Käytä vain aitoja MAKITA-metalliteriä (saha- tai leikkuriteriä) ja -nailonsiimapäitä.

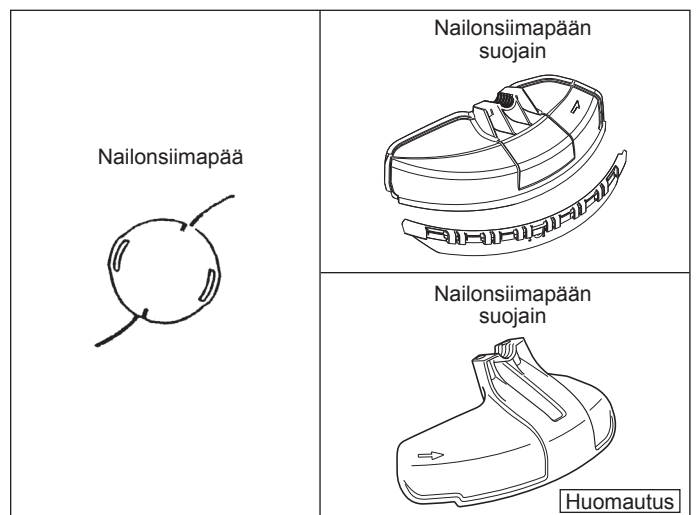
- Metalliterän pitää olla hyvin teroitettu, eikä siinä saa olla murtumia tai muita vaurioita. Jos metalliterä osuu kiveen käytön aikana, pysäytä moottori ja tarkasta terä viipymättä.
- Teroita tai vaihda metalliterä kolmen käyttötunnin välein.
- Jos nailonsiimapää osuu kiveen käytön aikana, pysäytä moottori ja tarkasta nailonsiimapää viipymättä.

**HUOMIO:** Asianmukaisen suojaimen on aina oltava asennettuna oman turvallisuutesi vuoksi, ja sitä edellytetään myös onnettomuuksien välttämiseksi annetuissa ohjeissa. Laitetta ei saa käyttää, jos suojain ei ole paikallaan. Leikkuriterän ulkoläpimitta saa olla enintään 300 mm (12"). Älä koskaan käytä leikkuriterää, jonka ulkoläpimitta on yli 300 mm (12"). Käytä 200 mm:n sahaterän suojusta vain 200 mm:n sahaterän kanssa. Käytä 225 mm:n sahaterän suojusta vain 225 mm:n sahaterän kanssa. Älä käytä mitään muuta yhdistelmää sahaterän kanssa.

**HUOMAUTUS:** Vakiovarusteiset leikkaustyökalut vaihtelevat maittain.

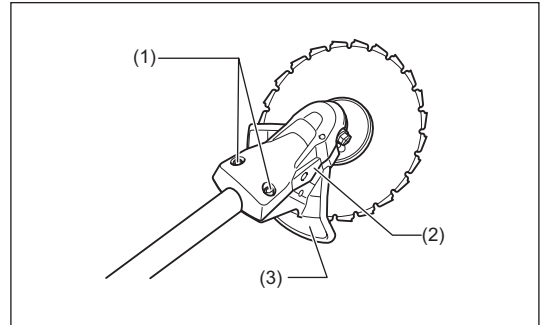
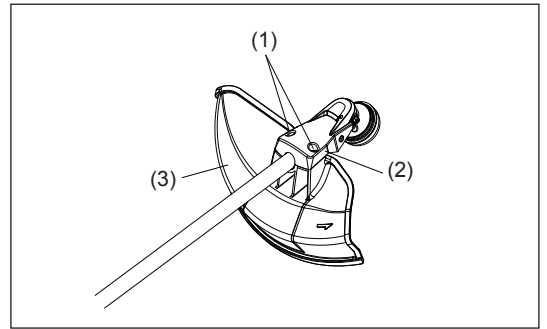


**HUOMAUTUS:** Kun käytät tätä suojainta mallissa EM4350LH yhdessä nailonsiimapäiden (B&F Z5L tai B&F Eco6L) kanssa, käytä vasta-aluslevyn ja nailonsiimapään välissä tasapainotusaluslevyä (osanro: 326755\*2). (Katso lisätietoja asennuksesta sivulta 93.)



- Kiinnitä metalliterää käytettäessä suojain (3) kiinnittimeen (2) kahdella -pultilla (1).

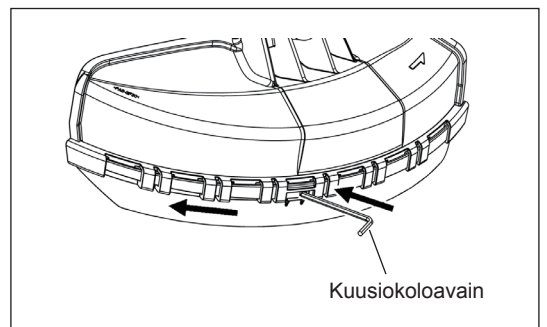
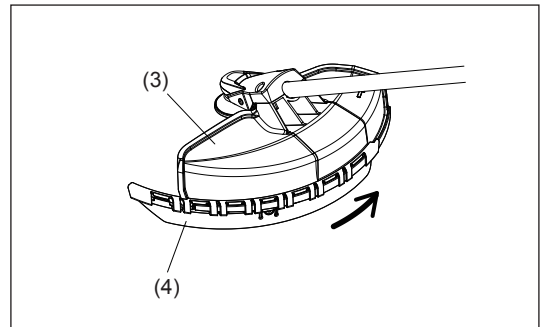
**HUOMAUTUS:** Kiristä vasen ja oikea pultti tasaisesti siten, että kiinnittimen (2) ja suojaimen (3) välyys on tasainen.  
Jos näin ei ole, suojain ei ehkä toimi ilmoitetulla tavalla kaikissa tilanteissa.



- Varmista nailonsiimaleikkuria käytettäessä, että nailonsiimaleikkurin suojain (4) on kiinnitetty metalliterän suojaimen (3).
- Kiinnitä nailonsiimaleikkurin suojain (4) liu'uttamalla se paikalleen metalliterän suojaimen kylkeä pitkin (3) kuvassa esitetyllä tavalla.
- Irrota nailonsiimaleikkurin suojaimessa (4) olevaan nailonsiiman katkaisemiseen tarkoitettuun leikkuriin kiinnitetty teippi.

**HUOMIO:** Varmista, että nailonsiimaleikkurin suojain (4) on työnnetty paikalleen ääriasentoonsa saakka.  
Varo, ettet loukkaa itseäsi nailonsiiman katkaisemiseen tarkoitettuun leikkuriin.

- Jos haluat irrottaa nailonsiimaleikkurin suojaimen (4), työnnä kuusiokoloavain metalliterän suojaimessa (3) olevaan loveen ja työnnä samanaikaisesti nailonsiimaleikkurin suojainta (4).



## METALLITERÄN JA NAILONSIIMAPÄÄN KIINNITTÄMINEN

### Käytä vain aitoja MAKITA-metalliteriä ja -nailonsiimapäitä.

- Metalliterän pitää olla hyvin teroitettu, eikä siinä saa olla murtumia tai muita vaurioita. Jos metalliterä osuu kiveen käytön aikana, pysäytä moottori ja tarkasta terä viipymättä.
- Teroita tai vaihda metalliterä kolmen käyttötunnin välein.
- Jos nailonsiimapää osuu kiveen käytön aikana, pysäytä moottori ja tarkasta nailonsiimapää viipymättä.

**HUOMIO:** Asianmukaisen suojaimen on aina oltava asennettuna oman turvallisuutesi vuoksi, ja sitä edellytetään myös onnettomuuksien välttämiseksi annetuissa ohjeissa. Laitetta ei saa käyttää, jos suojain ei ole paikallaan. Leikkuuterän ulkoläpimitta saa olla enintään 300 mm (12"). Älä koskaan käytä leikkuuterää, jonka ulkoläpimitta on yli 300 mm (12").

Käännä laite ylösalaisin, minkä jälkeen voit helposti vaihtaa metalliterän tai nailonsiimapään.

- Aseta kuusiokoloavain hammasrattaiston kotelossa olevaan koloon ja kierrä vasta-aluslevyä (4), kunnes se lukkiutuu kuusiokoloavaimen.
- Löysää mutteria (1) (vasenkätinen kierre) istukka-avaimella ja irrota mutteri (1), kupu (2) ja kiristysaluslevy (3).

### Metalliterän kiinnittäminen kuusiokoloavaimen ollessa yhä paikallaan.

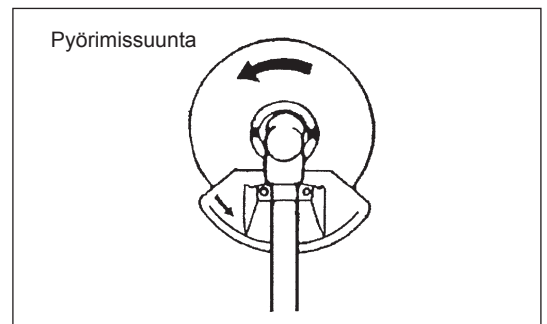
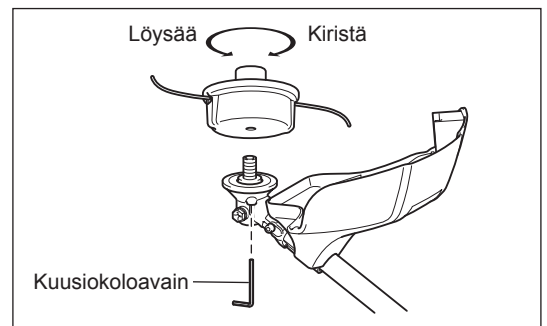
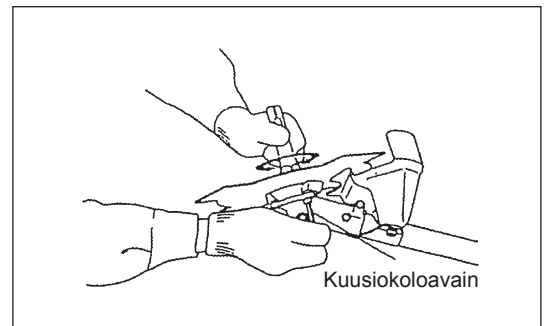
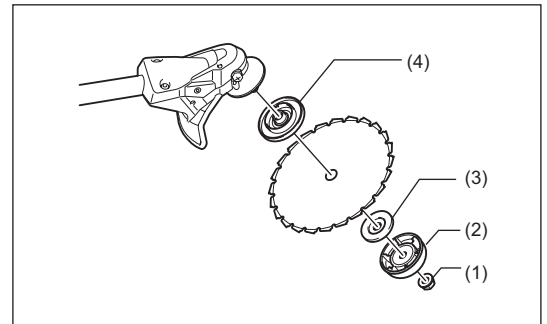
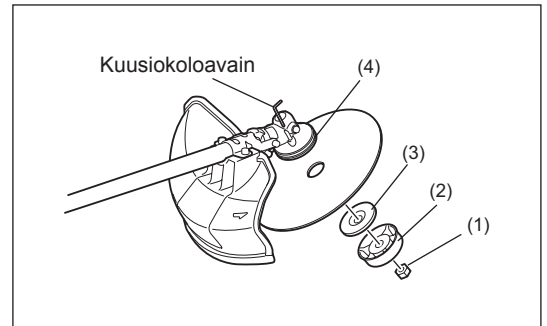
- Kiinnitä metalliterä akseliin niin, että vasta-aluslevy (4) asettuu metalliterän tangonreikään. Aseta kiristysaluslevy (3) ja kupu (2) paikalleen ja kiristä metalliterä mutterin avulla (1).  
[Kiristysmomentti: 20–30 Nm]

**HUOMAUTUS:** Käytä aina suojakäsineitä, kun käsittelet metalliterää.

**HUOMAUTUS:** Metalliterän kiinnitysmutteri (jousialuslevyllinen) on kuluva osa. Jos jousialuslevyssä näkyy kulumisen tai vääntymisen merkkejä, vaihda mutteri.

### Nailonsiimapään kiinnittäminen

- Nailonsiimapään kiinnittämiseen ei tarvita kiristysaluslevyä (3), kupua (2) ja mutteria (1). Nailonsiimapään tulee asettua vasta-aluslevyn päälle (4).
- Aseta kuusiokoloavain hammasrattaiston kotelossa olevaan koloon ja kierrä vasta-aluslevyä (4), kunnes se lukkiutuu kuusiokoloavaimen.
- Ruuvaa nailonsiimapää sitten kiinni akseliin kiertämällä avainta vastapäivään.
- Irrota kuusiokoloavain.



## ENNEN KÄYTTÖÄ

### Moottoriöljyn määrän tarkistus ja lisäys

- Suorita seuraavat toimenpiteet, kun moottori on jäähtynyt.
- Varmista, että moottori on vaakasuoralla alustalla ja että öljyn pinta on öljymäärän ilmaisimen ylä- ja alatasomerkkien välissä.
- Jos öljyn pinta on alarajamerkin alapuolella, avaa öljysäiliön korkki ja lisää öljyä.
- Ulkoisten merkkien välinen alue on läpinäkyvä, joten öljyn määrän voi tarkistaa avaamatta öljysäiliön korkkia. Jos öljyputki likaantuu, öljyn määrän tarkistaminen ulkoisesti ei ehkä onnistu, ja määrä on tarkistettava öljyputken sisällä olevan porrastetun osan avulla.
- Öljyä on tavallisesti lisättävä noin 10 käyttötunnin välein (joka 10:s polttoaineen tankkauskerta).  
Jos öljyn väri muuttuu tai sen sekaan pääsee multaa tai hiekkaa, vaihda öljy. (Lisätietoja vaihtovälistä ja öljynvaihdoista on sivulla 104.)

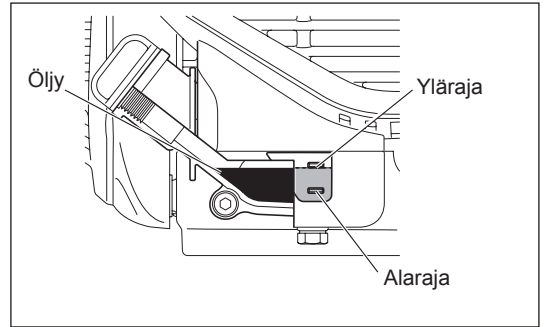
**Suosittelava öljyalaatu:** SAE 10W-30 (API), vähintään luokka SF (autojen nelitahtimoottoreille)

**Öljytilavuus:** Noin 0,10 L

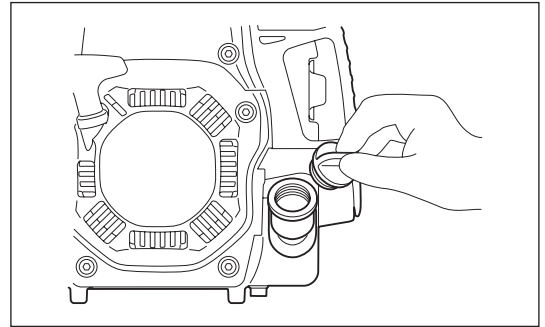
**HUOMAUTUS:** Jos moottori ei ole vaakasuoralla alustalla kuvassa esitetyllä tavalla, ilmaisimessa näkyvä öljyn määrä voi olla virheellinen, mistä voi olla seurauksena öljysäiliön ylitäyttäminen. Jos öljyä täytetään ylärajan yli, öljy voi likaantua tai kehittää vaaleaa savua.

### Öljynvaihto: Öljysäiliön korkki

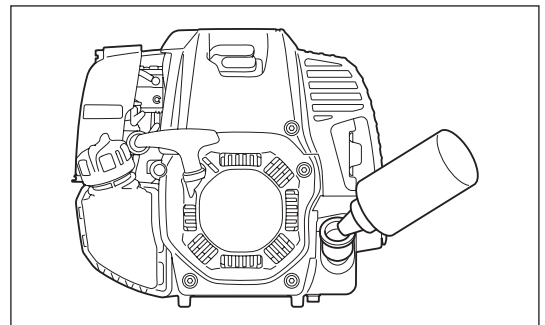
- Puhdista täyttöaukon ympäristö pölystä ja hiekasta ja irrota öljysäiliön korkki.
- Pidä öljysäiliön korkki puhtaana hiekasta ja pölystä. Öljysäiliön korkkiin tarttuva hiekka tai pöly saattaa haitata öljyn kiertoa moottorissa tai kuluttaa osia ja aiheuttaa ongelmia.



- (1) Pidä moottori suorassa ja irrota öljysäiliön korkki.



- (2) Lisää öljyä ylärajamerkin tasolle.  
Käytä täyttämiseen öljypulloa.



- (3) Kierrä öljysäiliön korkki tiukasti kiinni. Jos korkki jää löysälle, siitä voi vuotaa öljyä.

### Huomautus

- Älä vaihda öljyä, jos moottori ei ole suorassa.
- Öljynvaihto moottorin ollessa kallistettuna saattaa aiheuttaa ylitäyttämisen, mikä voi aiheuttaa saastumista ja/tai valkoisen savun muodostumista.

### Öljyn lisäämisen jälkeen

- Pyyhi läikkynyt öljy heti pois liinalla.

## TANKKAUS

### Polttoaineen käsittely

Polttoainetta pitää käsitellä suurta huolellisuutta noudattaen. Polttoaineessa voi olla liuottimien kaltaisia aineita. Tankkaus on suoritettava riittävän hyvin tuuletetussa tilassa tai ulkoilmassa. Älä koskaan hengitä bensiinihöyryä, ja pidä bensiini loitolla. Jos toistuva tai pitkäaikainen kosketus polttoaineeseen kuivattaa ihoa, mikä voi aiheuttaa ihosairauksia tai allergiaa. Jos polttoainetta joutuu silmiin, huuhto silmät puhtaalla vedellä. Jos silmissä tuntuu yhä ärsytystä, ota yhteys lääkäriin.

### Polttoaineen säilytysajat

Polttoaine on käytettävä neljän viikon kuluessa, vaikka sitä säilytettäisiinkin asianmukaisessa astiassa hyvin tuuletetussa ja varjoisassa paikassa.

Muutoin polttoaine voi pilaantua yhdessä päivässä.

### LAITTEEN JA VARAPOLTTTOAINEEN SÄILYTYS

- Säilytä laite ja varapolttoaine viileässä paikassa suoralta auringonvalolta suojattuna.
- Älä koskaan säilytä polttoainetta autossa.

### Polttoaine

Moottori on nelitahtinen. Varmista, että polttoaine on lyijytöntä moottoribensiiniä, jonka oktaaniluku on vähintään 87 ((R+M)/2). Alkoholipitoisuus saa olla enintään 10 % (E-10).

### Polttoaineesta

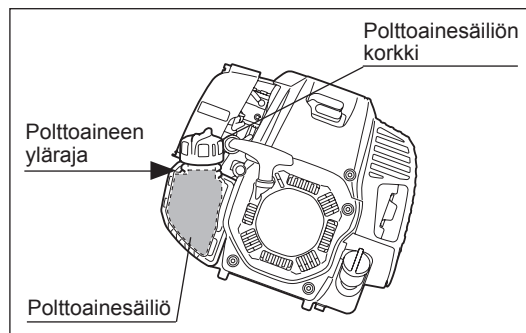
- Älä koskaan käytä bensiiniä, johon on sekoitettu moottoriöljyä. Moottori voi karstoittua tai siihen tulee mekaanisia vikoja.
- Heikkolaatuisen öljyn käyttö vaikeuttaa moottorin käynnistämistä.

### Tankkaus

#### **VAROITUS: Sammuta moottori ennen tankkaamista, pysy kaukana avotulesta äläkä tupakoi.**

- Tasaa polttoainesäiliön paine kiertämällä polttoainesäiliön korkkia hieman auki.
- Irrota korkki ja kallista tankkia hieman, kun lisäät polttoainetta, jotta ilma pääsee poistumaan ylöspäin. ÄLÄ täytä säiliötä aivan täyteen.
- Pyyhi polttoainesäiliön korkin ulkopinta huolellisesti, jotta polttoainesäiliöön ei pääse epäpuhtauksia.
- Kierrä polttoainesäiliön korkki tiukasti kiinni tankkauksen jälkeen.

- Jos polttoainesäiliön korkissa on vikaa, vaihda se.
- Korkki kuluu ajan myötä. Vaihda se kahden tai kolmen vuoden välein.
- ÄLÄ kaada polttoainetta öljyntäyttöaukkoon.



## LAITTEEN OIKEA KÄSITTELY

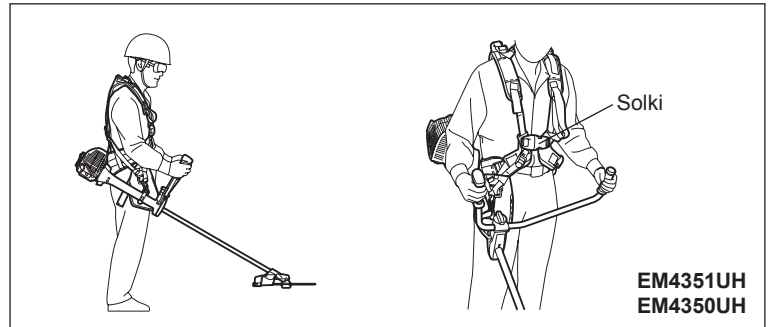
### Valjaiden kiinnittäminen

- Säädä hihnan pituus niin, että metalliterä on samassa suunnassa maanpintaan nähden.

### Mallit EM4351UH ja EM4350UH

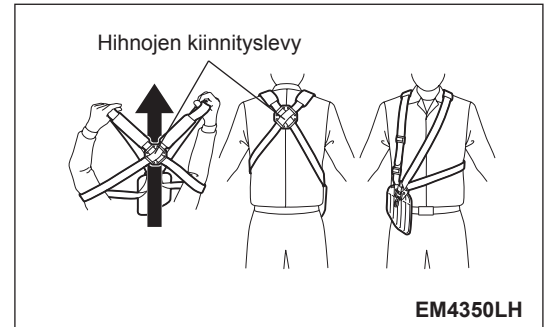
Pue valjaat päällesi, kiinnitä ne soljella ja säädä hihnojen pituus oikeaksi.

HUOMAUTUS: Huolehdi, että vaatteesi tms. eivät tartu solkeen kiinni.



### Malli EM4350LH

- 1) Seiso siten, että hihnojen kiinnityslevy on itseesi päin. Työnnä käsivartesi ja pääsi hihnan läpi.
- 2) Valjaat on puettu asianmukaisesti, kun hihnojen kiinnityslevy on selkäpuolella ja säätimet ja koukku ovat oikealla kyljelläsi.

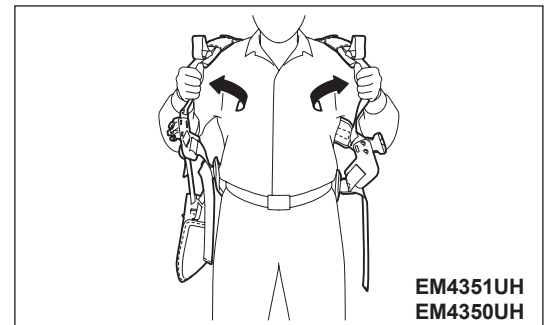
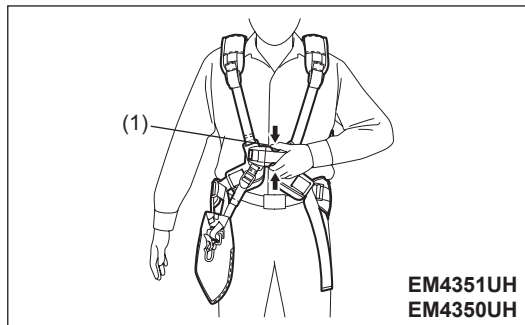


### Laitteen irrottaminen

### Mallit EM4351UH ja EM4350UH

- Irrota laite puristamalla soljen sivuja (1) ja ota valjaat pois. Huolehdi tällöin, että laite pysyy hallinnassasi. Älä päästä laitetta ponnahtamaan itseäsi tai ketään muuta lähistöllä olevaa kohti.

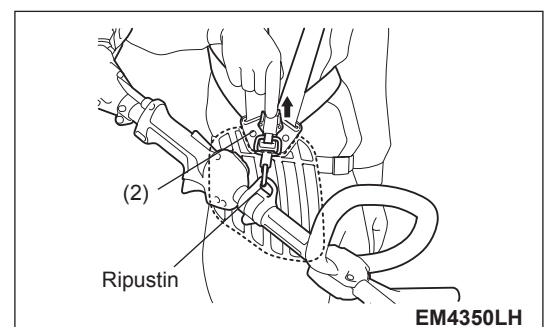
VAROITUS: Jos laitteen hallinta menetetään, seurauksena voi olla vakava vamma tai KUOLEMA.



### Malli EM4350LH

- Irrota laite vetämällä hätäavausvipua (2) voimakkaasti. Huolehdi tällöin, että laite pysyy hallinnassasi. Älä päästä laitetta ponnahtamaan itseäsi tai ketään muuta lähistöllä olevaa kohti.

VAROITUS: Jos laitteen hallinta menetetään, seurauksena voi olla vakava vamma tai KUOLEMA.



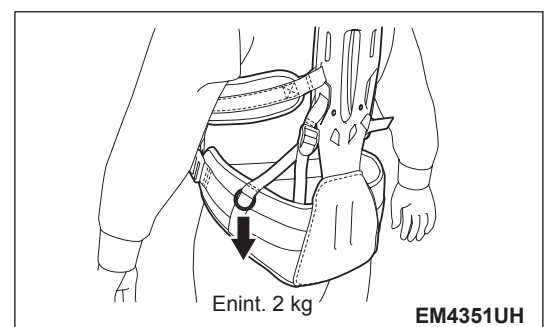
### Ripustusrenkas

### Malli EM4351UH

- Voit ripustaa renkaaseen enintään 2 kg painavan taakan.

HUOMAUTUS: Älä ripusta renkaaseen mitään, joka painaa yli 2 kg. Liian painava esine voi pudota renkaasta ja vaurioitua.

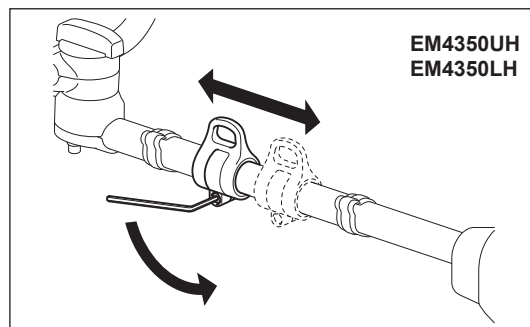
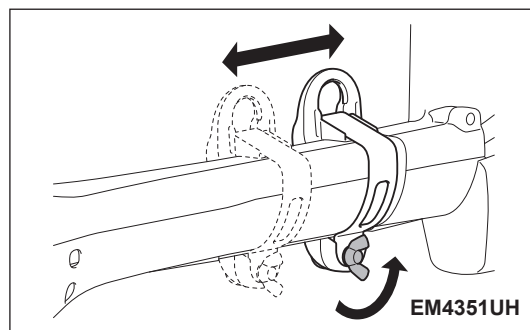
HUOMIO: Älä ripusta renkaaseen mitään, joka voi tarttua kiinni pensasiin tai oksiin. Se voi aiheuttaa tasapainon menetyksen ja hallinnan menetyksen, mikä voi aiheuttaa vammoja.





## Tasapainon säätö

Laitteen tasapainoa voi säätää siirtämällä ripustinta eteen- tai taaksepäin. Säädä leikkaustyökalun korkeus käyttötarkoituksen mukaan.



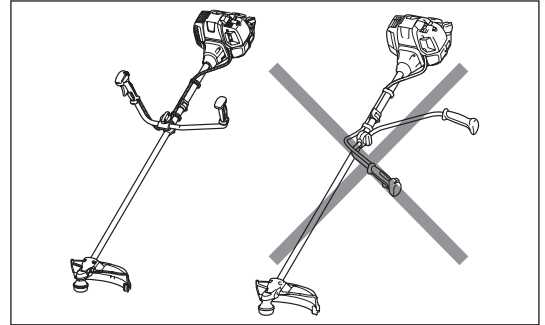
## KÄYTÖN VAIHEET JA PYSÄYTTÄMINEN

Noudata soveltuvia onnettomuuksien välttämisestä annettuja määräyksiä!



### Käännä kahva oikeaan asentoon aina ennen käynnistystä.

Jos kaasuvaijeri pääsee kiertymään tai taipumaan, se voi avata kaasuläppää, mikä saa leikkaustyökalun pyörähtämään äkillisesti.

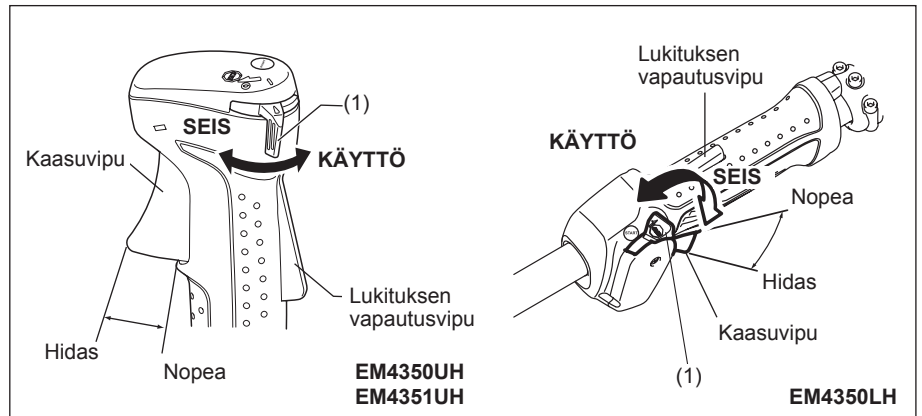


## KÄYNNISTYS

Siirry ainakin 3 m:n päähän tankkauspaikasta. Laita laite maahan ja varmista, ettei leikkaustyökalu kosketa maata tai muuta kohdetta.

### A: Kylmäkäynnistys

- 1) Aseta laite tasaiselle alustalle.
- 2) Aseta I-O-kytkin (1) KÄYTTÖ-asentoon.

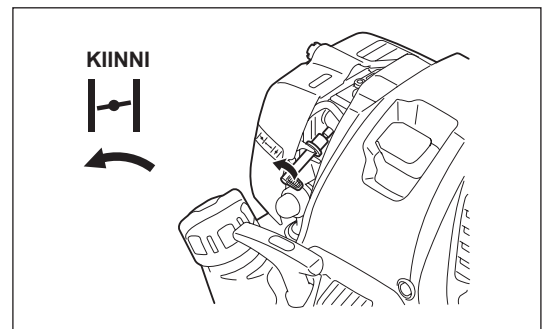


- 3) Kuristinvipu

Sulje kuristinvipu.

Kuristimen asento:

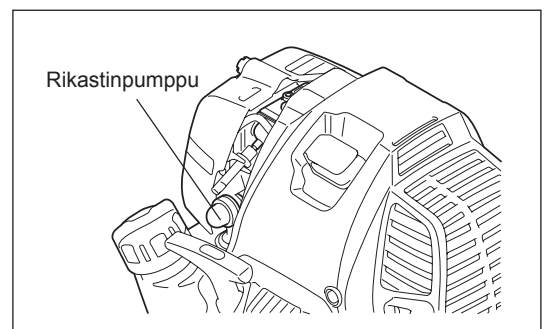
- Täysin suljettu kylmässä säässä tai kun moottori on kylmä.
- Täysin tai puoliksi avattu, kun moottori on hieman lämmennyt, esimerkiksi kun moottorin on käynnistetään sammuttamisen jälkeen uudelleen lämmityskäytön aikana.



- 4) Rikastinpumppu

Pumppaa rikastinpumppua, kunnes se täyttyy polttoaineesta (tavallisesti 7–10 painallusta).

Jos rikastinpumppua painetaan liian monta kertaa, ylimääräinen polttoaine palaa takaisin polttoainesäiliöön.



## 5) Vetokäynnistin

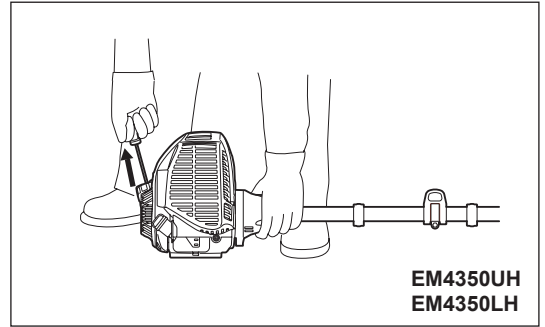
Seiso tukevassa asennossa. Paina laitetta tukevasti maata vasten vasemmalla kädelläsi.

**HUOMIO:** Älä aseta jalkaasi tai polveasi kaasuvaijerin päälle. Vaijeri saattaa jännittyä, jolloin leikkaustyökalu voi alkaa pyöriä odottamatta.

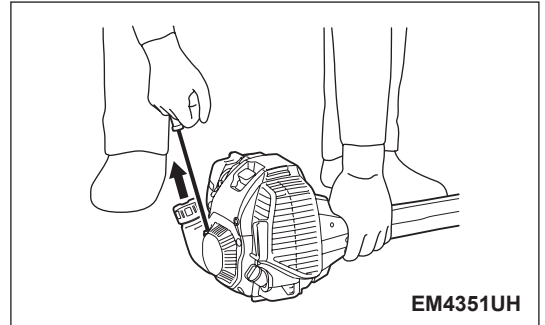
Älä paina kaasuvipua.

Vedä käynnistinkahvasta varovasti, kunnes tunnet vastusta. Palauta käynnistinkahva sitten alkuasentoonsa ja vedä voimakkaasti.

Älä koskaan vedä käynnistinnarua loppuun asti. Käynnistinkahvaa ei saa vapauttaa heti vetämisen jälkeen. Saata käynnistinkahva alkuasentoonsa.



EM4350UH  
EM4350LH



EM4351UH

## 6) Kuristinvipu

Kun moottori käynnistyy, siirrä kuristinvipu AUKI-asentoon.

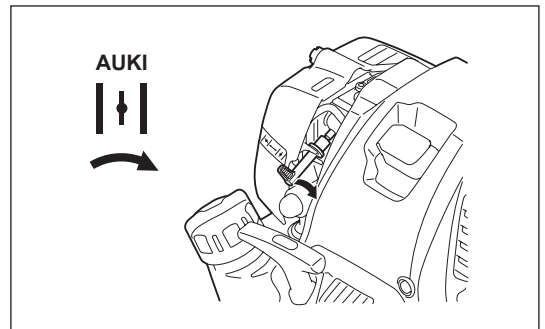
- Avaa kuristinvipu vähitellen ja tarkkaile moottorin toimintaa. Varmista lopuksi, että kuristinvipu on täysin auki.

- Jos ilma on kylmä tai moottori on jäähtynyt, älä avaa kuristinvipua äkillisesti. Moottori voi sammua.

## 7) Moottorin lämmityskäyttö

Anna moottorin lämmitä 2–3 minuuttia.

**HUOMAUTUS: Älä paina kaasuvipua turhaan, kun moottori ei ole käynnissä.** Se voi aiheuttaa polttoaineen vuotamisen ilmanpuhdistimesta. Jos niin tapahtuu, pyyhi vuotanut polttoaine pois. Avaa myös ilmanpuhdistimen suojaus ja puhdista suodatinelementit ja ilmanpuhdistimen levy.



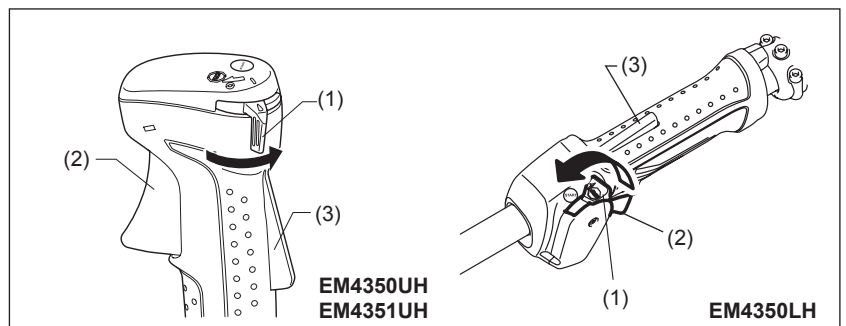
## HUOMAUTUS:

- Älä paina kaasuvipua turhaan, kun moottori ei ole käynnissä. Moottoriin voi mennä liikaa polttoainetta, mikä vaikeuttaa käynnistymistä.
- Jos moottoriin on päässyt liikaa polttoainetta, irrota sytytystulppa ja poista ylimääräinen polttoaine vetämällä hitaasti käynnistinkahvasta. Kuivaa myös sytytystulpan elektrodit.
- Jos moottori käynnistyy ja sammuu heti tai pian käynnistymisen jälkeen, palauta kuristinvipu AUKI-asentoon ja käynnistä moottori vetämällä käynnistinkahvasta muutamana kerran.
- Jos kuristinvipu jätetään KIINNI-asentoon ja käynnistinkahvasta vedetään toistuvasti, moottori saa liikaa polttoainetta ja sen käynnistäminen vaikeutuu.
- Älä käytä moottoria tarpeettoman suurella käyntinopeudella lämmityskäytön aikana.

## B: Käynnistys lämpimänä

- 1) Pidä kuristinvipu täysin auki.
- 2) Pumpkaa rikastinpumppua toistuvasti.
- 3) Pidä kaasuvipu joutokäyntiasennossa.
- 4) Vedä vetokäynnistimestä voimakkaasti.
- 5) Jos moottorin käynnistyminen on vaikeaa, vapauta lukitusvipu (3), paina kaasuvipua (2) ja siirrä I-O-kytkin (1) kaasuvivun lukitusasentoon. Pidä kiinni I-O-kytkimestä (1) ja vapauta kaasuvipu (2) sekä lukitusvipu (3). Vedä sitten käynnistinkahvasta.

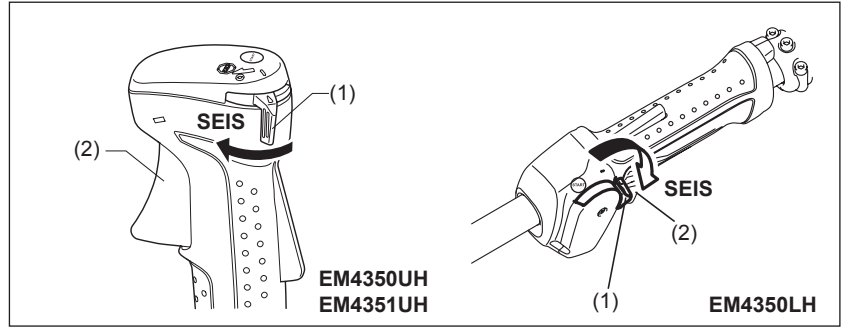
**VAROITUS:** Varmista, että leikkaustyökalu lähtee heti pyörimään.



- 6) Kun moottori käynnistyy, vapauta lukitusvipu (3), paina kaasuvipua (2) ja vapauta ne, jolloin moottori asettuu joutokäynnille.

## PYSÄYTTÄMINEN

- 1) Vapauta kaasuvipu (2) kokonaan. Kun moottorin kierrosluku on laskenut, aseta I-O-kytkin (1) STOP-asentoon, jolloin moottori pysähtyy.
- 2) Leikkaustyökalu jatkaa pyörimistä jonkin aikaa moottorin sammuttamisen jälkeen. Odota, että se pysähtyy kokonaan.

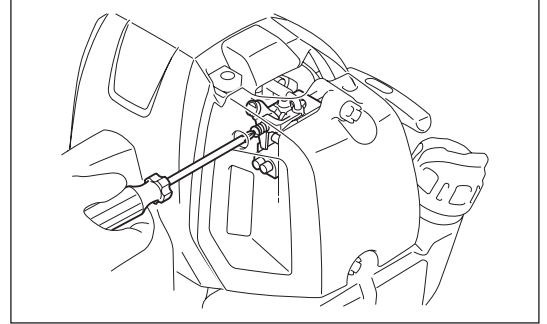


## JOUTOKÄYNTINOPEUDEN SÄÄTÄMINEN

Joutokäyntinopeutta voi tarvittaessa muuttaa kaasuttimen säätöruuvilla.

## JOUTOKÄYNTINOPEUDEN TARKISTAMINEN

- Aseta joutokäyntinopeudeksi 3 000 min<sup>-1</sup>. Jos joutokäyntinopeutta on säädettävä, kierrä oikealla olevassa kuvassa näkyvää säätöruuvia ristipääruuvitalalla.
- Säätöruuvien kiertäminen myötäpäivään suurentaa joutokäyntinopeutta. Säätöruuvien kiertäminen vastapäivään pienentää joutokäyntinopeutta.
- Kaasutin on tehtäällä valmiiksi säädetty. Usean käyttökerran jälkeen joutokäyntinopeutta voi kuitenkin joutua säätämään.

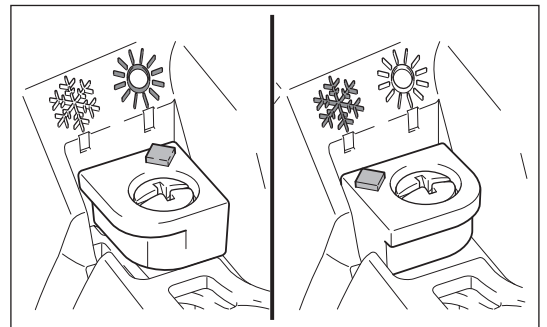
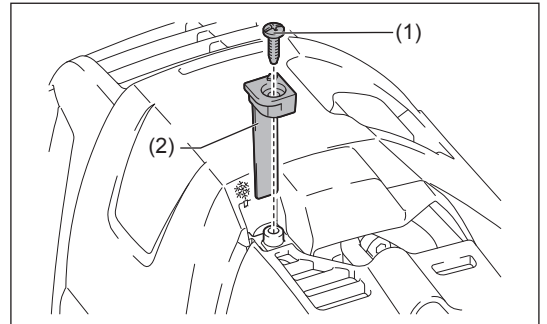


## KAASUTTIMEN JÄÄTYMISEN ESTÄMINEN

**HUOMIO:** Kun ympäristön lämpötila on yli 10°C, palauta suljin aina normaaliasentoon (auringon kuva). Muuten moottori voi vaurioitua ylikuumenemisen takia.

Jos ympäristön lämpötila on matala ja kosteus suuri, vesihöyry voi jäätää kaasuttimen sisään, jolloin moottori käy epätasaisesti (kaasuttimen jäätymisen). Sulkimen asentoa on muutettava seuraavassa kerrotulla tavalla.

1. Irrota ruuvi (1).
2. Muuta sulkimen (2) asentoa seuraavasti:
  - Ympäristön lämpötila on yli 10°C: Aseta suljin normaaliasentoon (auringon kuva).
  - Ympäristön lämpötila on enintään 10°C: Aseta suljin jäätymisenestoasentoon (lumihiutaleen kuva).
3. Kiristä ruuvi.

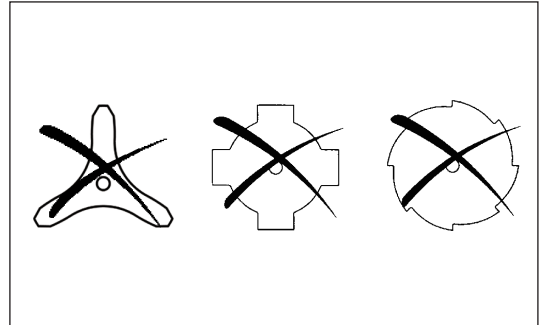


## LEIKKAUSTYÖKALUN UDELLEENTEROITUS



**HUOMIO:** Kuvassa näkyviä leikkaustyökaluja ei ole tarkoitettu teroitettaviksi. Jos työkalut teroitetaan käsin, seurauksena on terien epätasapainoisuus, mikä aiheuttaa tärinää ja vahingoittaa laitetta.

**HUOMAUTUS:** Leikkuuterän käyttöikä voi pidentää yhden kerran kääntämällä sen ympäri niin, että molemmat leikkuureunat kuluvat yhtä tylsiksi.

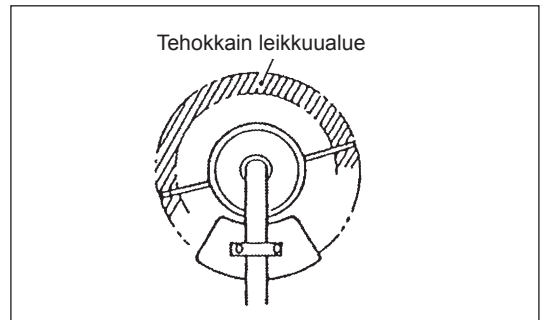


### NAILONSIIMAPÄÄ

Nailonsiimapää on kaksisiimainen leikkuupää, jossa on napautusten mukaan ohjautuva syöttömekanismi. Kun nailonsiimapäätä napautetaan maata vasten, se syöttää muuttuvan kierrosluvun synnyttämän keskipakovoiman ohjaamana tarvittavan määrän nailonsiimaa automaattisesti.

### Käyttö

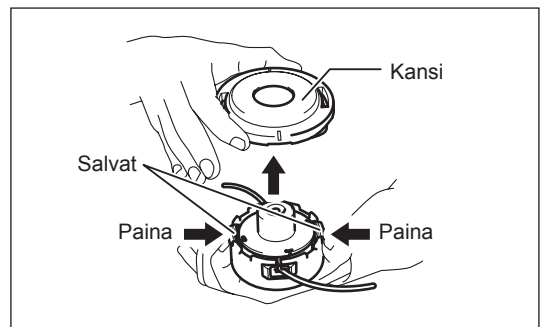
- Nosta nailonsiimapään nopeus noin arvoon 6 000 min<sup>-1</sup>. Napauta nailonsiimapäätä kevyesti maata vasten.
- Tehokkain leikkuualue on merkitty kuvaan varjostuksella.
- Jos nailonsiima ei tule ulos, kelaia nailonsiima uudelleen tai vaihda se kohdassa "Nailonsiiman vaihtaminen" annettujen ohjeiden mukaisesti.



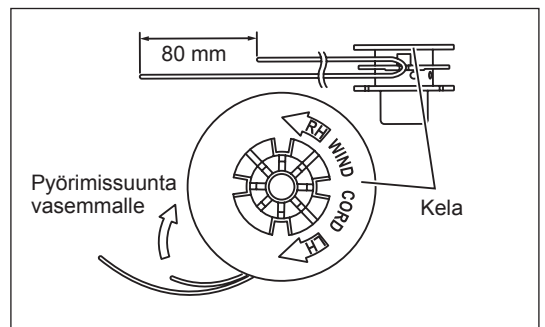
### Nailonsiiman vaihtaminen (NAPAUTUSTEN MUKAAN SÄÄTYVÄ SYÖTTÖ)

**VAROITUS:** Varmista, että nailonsiimapään kansi on tukevasti kiinni kotelossa alla kuvatulla tavalla. Jos kansi ei ole tukevasti kiinni, nailonsiimapää voi sinkoutua irti ja aiheuttaa vakavan henkilövahingon.

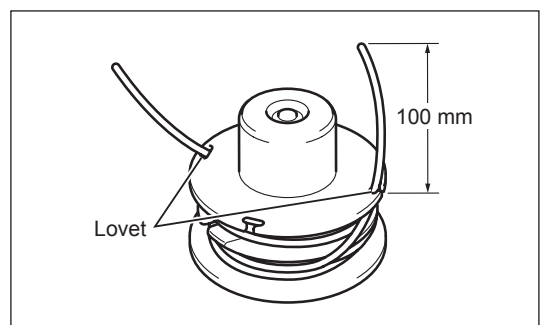
Irrota kansi painamalla kotelolon salpoja sisäänpäin ja nostamalla kansi ylös. Poista mahdollinen jäljellä oleva nailonsiima.



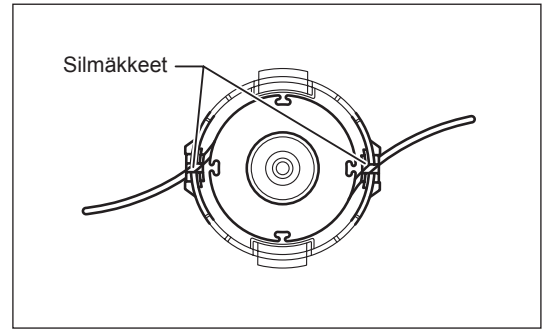
Pujota nailonsiiman lenkki kelan keskellä olevaan loveen, joka on nailonsiimalle tarkoitettujen kahden kanavan välissä. Siiman toisen pään tulee olla noin 80 mm pitempi kuin toisen. Kierrä molemmat päät tukevasti kelan ympärille merkinnällä LH osoitettuun suuntaan.



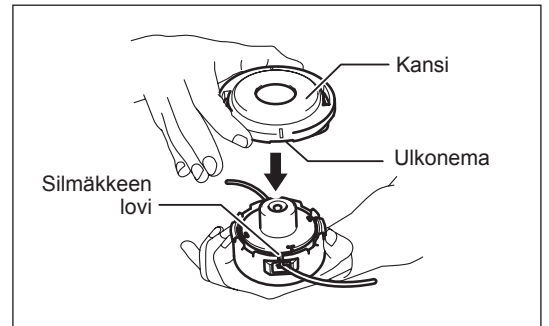
Jätä noin 100 mm siimoista kelaamatta niin, että niiden päät ovat väliaikaisesti kiinni kelan reunassa olevissa lovissa.



Kiinnitä kela koteloon siten, että kelan urat ja ulkonemat tulevat vasten kotelon uria ja ulkonemia. Pidä kela niin, että sen kirjainpuoli näkyy ylöspäin. Irrota siiman päät sitten väliaikaisesti kiinnityksestään ja pujota siimat silmäkkeiden läpi niin, että ne tulevat ulos kotelosta.

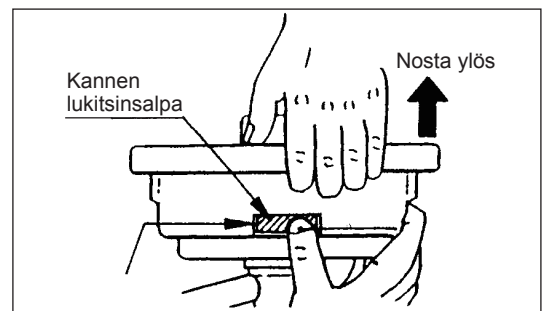


Kohdista kannen alapuolen ulkonemat silmäkkeiden loviin. Työnnä kansi sitten tiukasti kiinni koteloon. Varmista, että salvat asettuvat oikein kanteen.

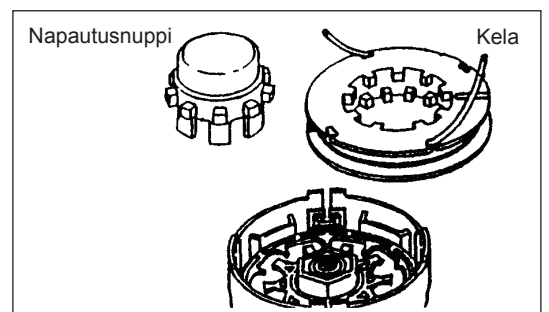


### Nailonsiiman vaihtaminen (ULTRA AUTO)

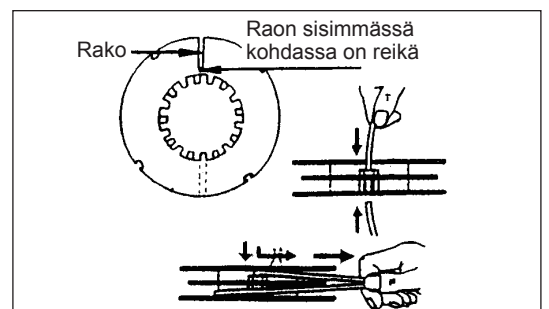
1. Irrota kotelon kansi painamalla kahta lukitsinsalpaa, jotka sijaitsevat kotelon vastakkaisilla puolilla.



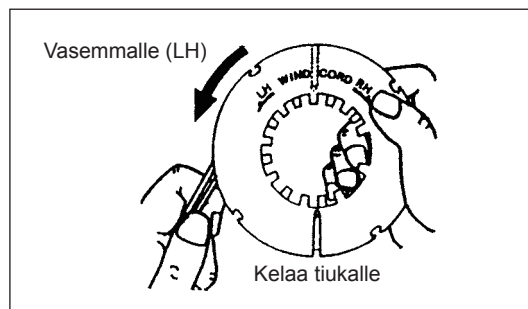
2. Nosta napautusnuppi ja kela pois kotelosta.



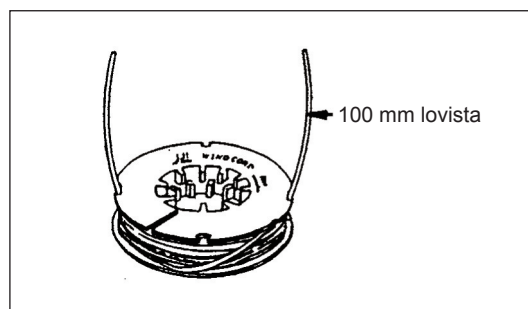
3. Aseta molempien leikkuusiimojen toinen pää kelan ulkolaipassa olevan loven sisimpään kohtaan. Työnnä siimat kelan uriin laipoissa olevien rakojen läpi.



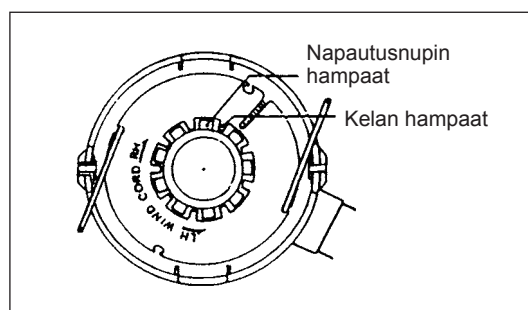
4. Kelaä siimat tiukasti vasemmalle osoittavan nuolen (LH) suuntaan. Älä vie siimoja ristiin.



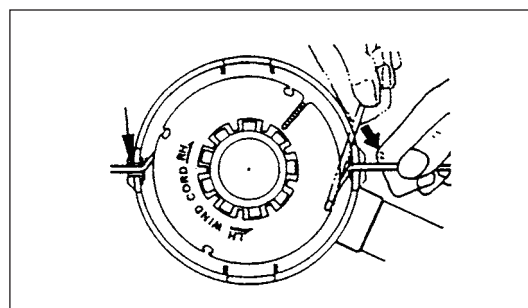
5. Jätä noin 100 mm siimoista kelaamatta niin, että niiden päät ovat väliaikaisesti kiinni kelan reunassa olevissa lovista.



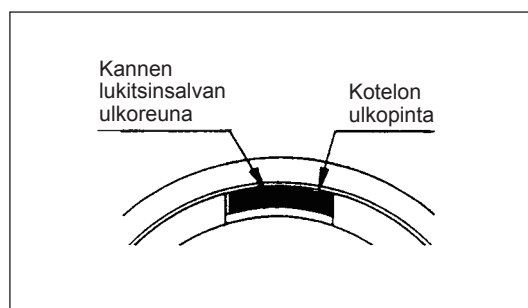
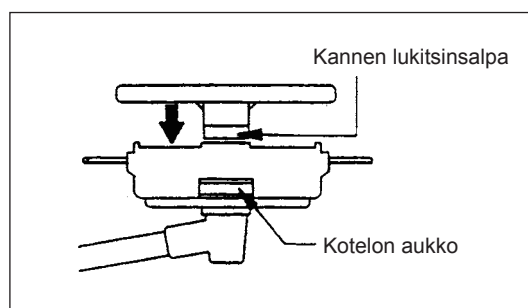
6. Aseta napautusnuppi kotelon napaan ja sijoita se siten, että se pääsee liikkumaan vapaasti ylös ja alas joustavasti. Aseta kela koteloon ja kohdista sitten kelassa ja napautusnupissa olevat hampaat vuorotellen hammasrattaiden tavoin.



7. Pujota leikkuusiimat silmäkkeiden läpi.



8. Aseta kansi kotelon päälle ja kohdista salvat ja kotelon aukot. Varmista, että kansi on sovitettu tarkasti kiinni koteloon. Kannen lukitsinsalvan ulkoreunan ja kotelon ulkopinnan pitää olla samalla kehällä.



## HUOLTO-OHJEET

HUOMIO: Moottori on sammutettava ja sytytystulpan johto irrotettava tulpasta aina ennen laitteelle tehtäviä huoltotoimia (ks. kohta "Sytytystulpan tarkistus").  
Käytä aina suojakäsineitä!

Tekemällä seuraavat huoltotoimenpiteet säännöllisin väliajoin voit varmistaa pitkän käyttöiän ja ehkäistä laitteen vioittumisen.

### Päivittäinen tarkistus ja huolto

- Tarkista ennen käyttöä, onko jokin laitteen ruuveista löystynyt tai puuttuko jokin laitteen osista. Varmista erityisesti, että metalliterä tai nailonsiimapää on tukevasti kiinni.
- Tarkista aina ennen käyttöä, etteivät jäähdytysilmakanavat ja sylinterin jäähdytysrivat ole tukkeutuneet tai likaiset. Puhdista ne tarvittaessa.
- Tee seuraavat toimenpiteet päivittäin käytön jälkeen:
  - Puhdista laite ulkopuolelta ja tarkasta, näkykö siinä merkkejä vaurioista.
  - Puhdista ilmansuodatin. Jos työskentely-ympäristö on erittäin pölyinen, puhdista suodatin useita kertoja päivässä.
  - Tarkasta, näkykö terässä tai nailonsiimapäässä merkkejä vaurioista, ja varmista, että se on kiinnitetty tukevasti.
  - Tarkista, että joutokäynti- ja käyttönopeuden välinen ero on riittävän suuri niin, että leikkaustyökalu ei pyöri moottorin käydessä joutokäynnillä (pienennä joutokäyntinopeutta tarvittaessa).  
Jos leikkaustyökalu jatkaa pyörimistä joutokäynnin aikana, ota yhteys lähimpään valtuutettuun huoltoliikkeeseen.
- Tarkasta I-O-kytkimen, lukitusvivun, kaasuvivun ja lukituspainikkeen toiminta.

### MOOTTORIN ÖLJYNVAIHTO

Heikkolaatuinen moottoriöljy lyhentää moottorin käyttöikää. Tarkista öljyn laatu ja määrä säännöllisesti.



**VAROITUS:** Moottori ja moottoriöljy on kuumaa heti moottorin sammuttamisen jälkeen. Anna moottorin ja moottoriöljyn jäähtyä riittävästi. Muuten voit saada palovammoja.

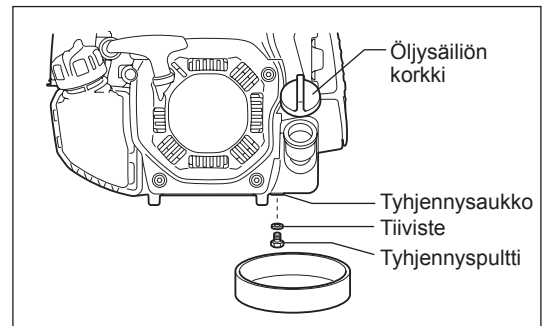
**HUOMAUTUS:** Jos öljyä täytetään ylärajan yli, öljy voi likaantua tai syttyä palamaan ja kehittää vaaleaa savua. Anna moottoriöljyn palautua moottorista öljysäiliöön ennen öljyn määrän tarkistamista.

**Vaihtoväli:** Ensimmäisen 20 käyttötunnin kuluttua, sen jälkeen 50 käyttötunnin välein.

**Suosittelava öljyalaatu:** SAE 10W-30 (API), vähintään luokka SF (autojen nelitahtimoottoreille tarkoitettu öljy)

Öljynvaihto tehdään seuraavasti.

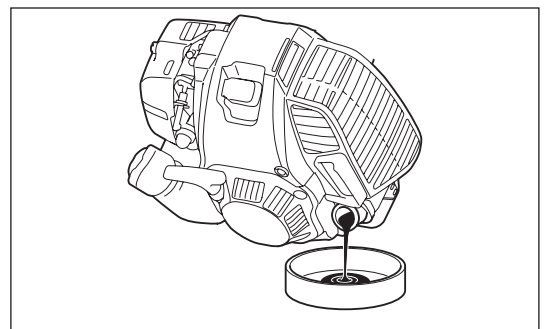
- 1) Varmista, että polttoainesäiliön korkki on kunnolla kiinni.
- 2) Aseta riittävän suuri astia tyhjennysaukon alle.
- 3) Irrota tyhjennispultti ja öljysäiliön korkki ja anna öljyn valua ulos tyhjennysaukosta.  
Älä hävitä tyhjennispultin tiivistettä ja pidä kaikki irrotetut osat puhtaina.
- 4) Kun kaikki öljy on valunut ulos, asenna tiiviste tyhjennispulttiin ja kiristä pultti paikalleen tiukasti, ettei se pääse löystymään ja aiheuttamaan öljyvuotoja.  
[Kiristysmomentti: 5 Nm]  
\* Pyyhi öljy pois pultista ja laitteesta.



#### Vaihtoehtoinen tyhjennystapa

Irrota öljysäiliön korkki, kallista laitetta öljyntäyttöaukon puolelle ja valuta öljy ulos.

Kerää öljy säiliöön

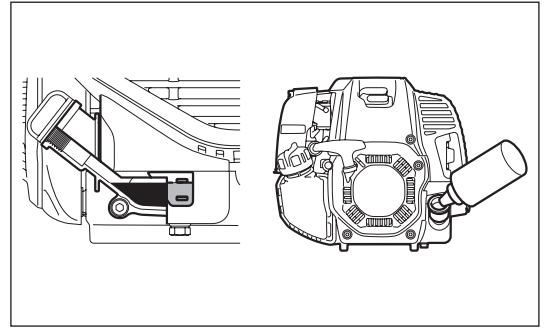




- 5) Aseta moottori vaakasuoraan ja täytä öljysäiliö uudella öljyllä ylärajamerkkiin asti.
- 6) Kun olet täyttänyt säiliön, kiristä öljysäiliön korkki tiukasti, ettei se pääse löystymään ja aiheuttamaan öljyvetoja.  
Jos öljysäiliön korkki ei ole tiukasti kiristetty, se voi vuotaa.

### HUOMATTAVAA ÖLJYYN LIITTYEN

- Älä koskaan heitä käytettyä moottoriöljyä roskeen tai kaada sitä maahan tai viemäriin. Öljyn hävittämisestä on lakisääteiset ohjeet. Noudata jätteiden käsittelyä koskevia lakeja ja määräyksiä. Ota yhteyttä valtuutettuun huoltoliikkeeseen, jos tarvitset lisäohjeita.
- Öljyn laatu heikenee myös käyttämättömänä. Tarkista ja vaihda öljyt säännöllisin (6 kuukauden) välein.



### ILMANPUHDISTIMEN PUHDISTUS



**VAROITUS:** Sammuta moottori, pysy kaukana avotulesta äläkä tupakoi.

**Puhdistus- ja tarkastusväli: Päivittäin (10 käyttötunnin jälkeen)**

- Sulje kuristin ja suojaa kaasutin hiekalta ja pölyltä.

#### Ilmanpuhdistimen suojuksen irrottaminen

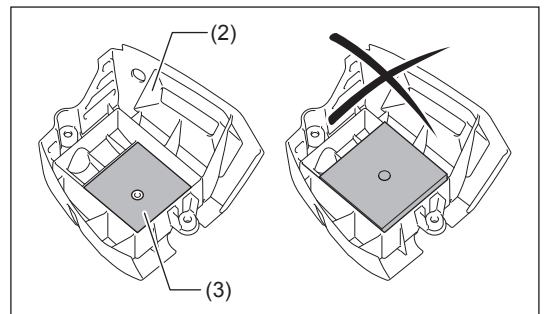
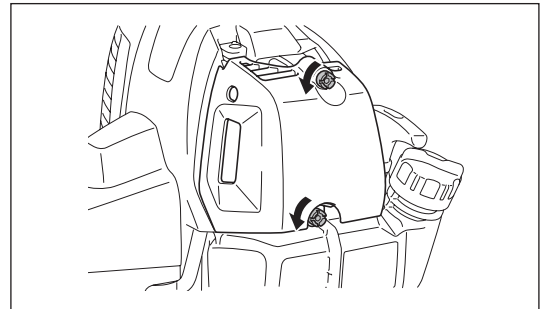
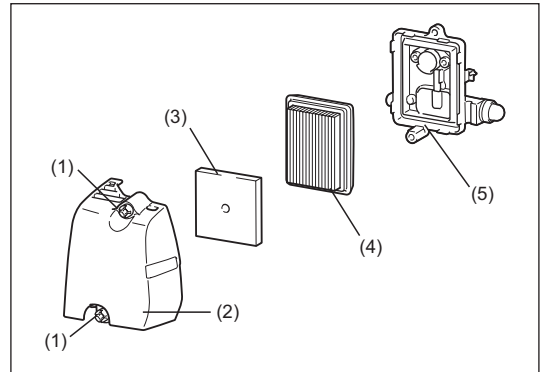
- Löysää kaksi kiinnityspulttia (1).
- Vedä ilmanpuhdistimen suojus (2) irti.

#### Suodatinelementin puhdistaminen

- Irrota suodatinelementit (3, 4) ja poista hiekka napauttamalla niitä.
- Perusteellinen puhdistus:
  - 1) Irrota suodatinelementti (sieni) (3), upota se lämpimään veteen tai miettoon pesuliukeseen ja anna sen sitten kuivaa täysin kuivaksi. Älä purista tai hankaa elementtiä pesun aikana.
  - 2) Puhdista suodatinelementti (paperi) (4) napauttamalla sitä kevyesti. Jos käytössäsi on paineilmapistooli, puhalla paineilmaa suodatinelementin (paperi) sisään. Älä pese suodatinelementtiä (paperi).
- Varmista, että suodatinelementti (sieni) on täysin kuiva, ennen kuin asetat sen takaisin paikoilleen. Jos suodatinelementti (sieni) ei ole täysin kuiva, se voi vaikeuttaa käynnistämistä.
- Pyyhi ilmanpuhdistimen suojukseen ja erotinlevyyn (5) kertynyt öljy trasselilla.

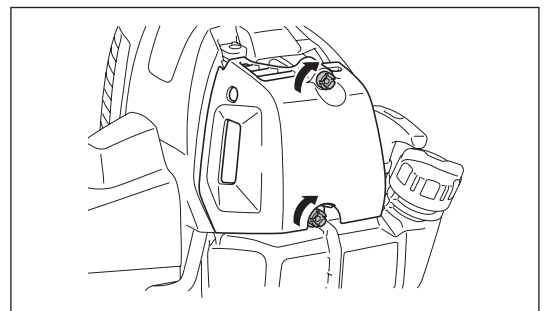
#### Ilmanpuhdistimen suojuksen kiinnittäminen

- Asenna suodatinelementti (sieni) ja suodatinelementti (paperi). Työnnä suodatinelementti (sieni) kokonaan ilmanpuhdistimen suojuksen sisään.
- Kiristä ilmanpuhdistimen suojus kahdella kiinnityspultilla.



### HUOMAUTUS:

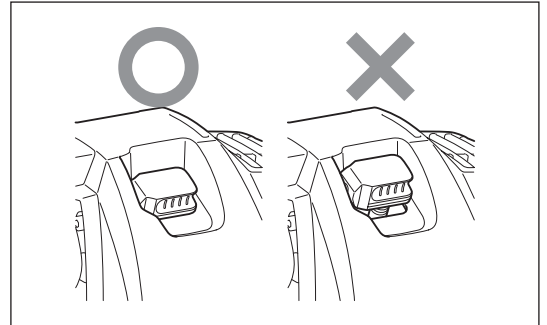
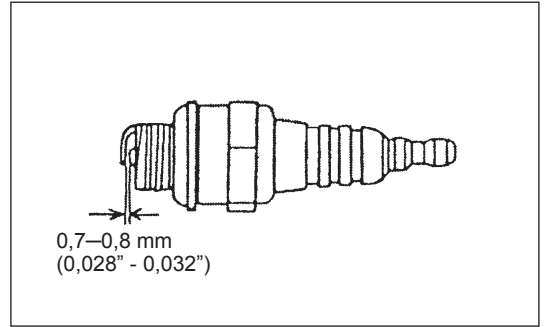
- Puhdista suodatinelementit useita kertoja päivässä, jos niihin kerääntyy paljon likaa. Likaiset suodatinelementit pienentävät moottorin tehoa ja vaikeuttavat sen käynnistystä.
- Pyyhi öljy pois suodatinelementeistä. Jos käyttöä jatketaan ilman, että suodatinelementit puhdistetaan öljystä, ilmanpuhdistimen öljy voi valua ulos ja saastuttaa ympäristöä.
- Älä aseta suodatinelementtejä maahan tai likaiselle alustalle. Niihin voi kertyä likaa, joka voi vaurioittaa moottoria.
- Älä koskaan puhdista suodatinelementtejä polttoaineella. Polttoaine voi vaurioittaa niitä.



## SYTYTYSTULPAN TARKISTUS

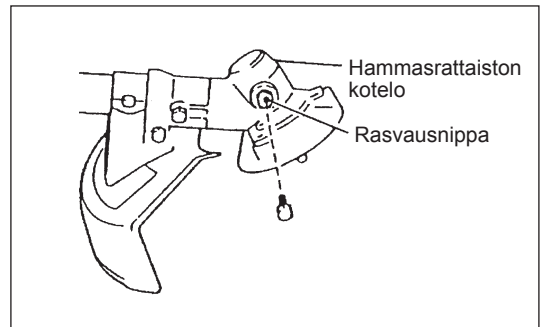
- Käytä sytytystulpan irrottamiseen ja kiinnittämiseen vain laitteen mukana toimittua yleisavainta.
- Sytytystulpan elektrodien kärkivälin tulee olla 0,7–0,8 mm. Jos väli on liian suuri tai pieni, säädä sitä. Jos sytytystulppa on karstoittunut tai likainen, puhdista se huolellisesti tai vaihda se. Asenna tarkistuksen jälkeen sytytystulpan hattu asianmukaisesti kuvassa esitetyllä tavalla.

HUOMIO: Älä koskaan koske sytytystulpan johtoon moottorin käydessä (suurjännitteisen sähköiskun vaara).



## RASVAN LISÄÄMINEN HAMMASRATTAISTON KOTELOON

- Lisää hammasrattaiston koteloon rasvaa (Shell Alvania 2 tai vastaava) rasvausnipan kautta 30 tunnin välein. (Voit hankkia aitoa MAKITA-rasvaa omalta MAKITA-jälleenmyyjältäsi.)

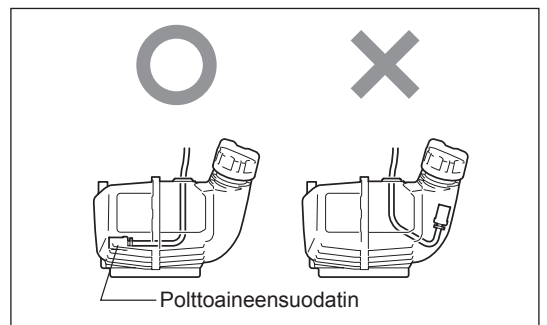
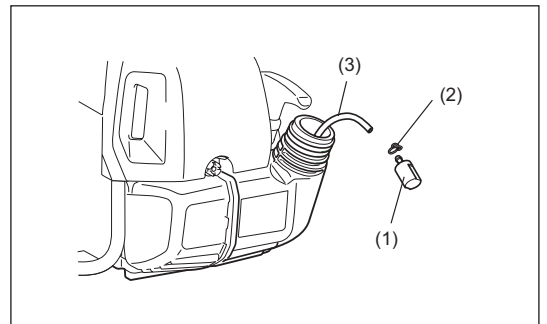


## POLTTOAINEENSUODATTIMEN PUHDISTUS VAROITUS: PALAVIEN AINEIDEN KÄYTTÖ EHDOTTOMASTI KIELLETTY

Puhdistus- ja tarkastusväli: Kuukausittain (50 käyttötunnin jälkeen)

### Polttoainesäiliön imupää

- Imupään polttoaineensuodattimen (1) tehtävänä on suodattaa kaasuttimen tarvitsema polttoaine.
- Polttoaineensuodatin tulee tarkastaa silmämääräisesti säännöllisin väliajoin. Avaa polttoainesäiliön korkki ja vedä imupää ulos täyttöaukosta rautalankakoukulla. Jos suodatin on kovettunut tai tukkeutunut, vaihda se.
- Vaihda polttoaineensuodatin vähintään neljännesvuosittain kaasuttimen riittävän polttoaineensaannin varmistamiseksi. Häiriöt polttoaineen syötössä voivat aiheuttaa käynnistysongelmia ja rajoittaa moottorin suurinta kierrosnopeutta.
- Kun olet tarkastanut, puhdistanut tai vaihtanut polttoaineensuodattimen, kiinnitä se polttoaineputkeen (3) letkukiristimellä (2). Työnnä polttoaineensuodatin polttoainesäiliön pohjalle.



## POLTTOAINEPUTKEN VAIHTAMINEN

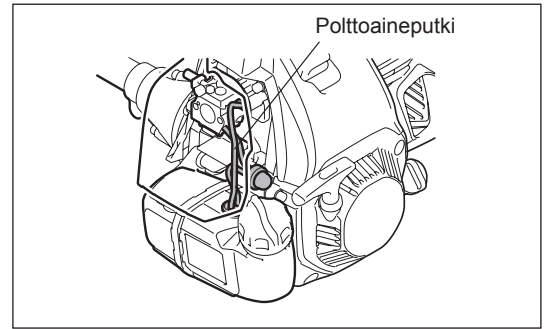
### HUOMIO: PALAVIEN AINEIDEN KÄYTTÖ EHDOTTOMASTI KIELLETTY

Puhdistus- ja tarkastusväli: Päivittäin (10 käyttötunnin jälkeen)

Vaihto: Vuosittain (200 käyttötunnin jälkeen)

Vaihda polttoaineputki vuosittain käytön määrästä riippumatta. Polttoainevuoto voi aiheuttaa tulipalon.

Jos tarkastuksessa havaitaan vuotoja, vaihda polttoaineputki viipymättä.



## PULTTIEN, MUTTERIEN JA RUUVIEN TARKASTUS

- Kiristä löystyneet pultit, mutterit tms.
- Tarkista polttoainesäiliön ja öljysäiliön korkin tiiviys. Tarkista, vuotaako laitteesta polttoainetta tai öljyä.
- Vaihda vialliset osat uusien turvallisen käytön varmistamiseksi.

## OSIEN PUHDISTUS

- Pidä moottori puhtaana puhtaalla liinalla pyyhkimällä.
- Pidä sylinterin jäähdytysrivat puhtaina pölystä ja liasta. Sylinterin jäähdytysripoihin tarttunut pöly tai lika aiheuttaa männän kiinnileikkautumisen.

## TIIVISTEIDEN VAIHTO

Jos moottori puretaan, tiivisteet on vaihdettava.

Kaikki sellaiset huollot ja säädöt, joita ei ole erikseen selostettu tässä oppaassa, on jätettävä valtuutetun huoltoliikkeen tehtäväksi.

## SÄILYTYS

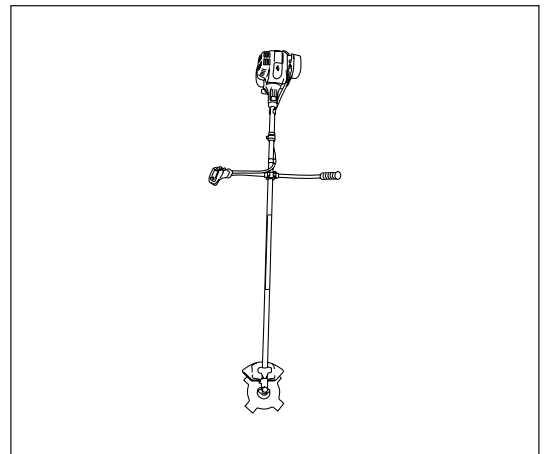


**VAROITUS:** Moottori on kuuma heti moottorin sammuttamisen jälkeen. Anna moottorin jäähtyä riittävästi sammuttamisen jälkeen, ennen kuin alat tyhjentää laitetta polttoaineesta. Muuten voit saada palovammoja tai aiheuttaa tulipalon.



**VAARA:** Jos laitetta ei käytetä pitkään aikaan, tyhjennä sekä polttoainesäiliö että kaasutin polttoaineesta ja säilytä laitetta kuivassa ja siistissä paikassa.

- Tyhjennä polttoainesäiliö ja kaasutin seuraavasti:
  - 1) Avaa polttoainesäiliön korkki ja tyhjennä säiliö bensiinistä. Jos säiliössä on vierasaineita, poista ne huolellisesti.
  - 2) Vedä polttoaineensuodatin ulos täyttöaukosta rautalangalla.
  - 3) Pumpkaa rikastinpumpua, kunnes se on tyhjä, ja kaada sitten säiliöön valunut polttoaine pois.
  - 4) Aseta polttoaineensuodatin säiliöön ja kierrä polttoainesäiliön korkki tiukasti kiinni.
  - 5) Käynnistä sitten moottori ja anna sen käydä, kunnes se sammuu.
- Irrota sytytystulppa ja tiputa useita tippoja moottoriöljyä sytytystulpan aukkoon.
- Vedä käynnistinkahvasta kevyesti niin, että öljy leviää moottoriin, ja kiinnitä tulppa sitten takaisin paikoilleen.
- Aseta metalliterän suojus paikalleen.
- Säilytä laitetta mahdollisuuksien mukaan pystyasennossa. Jos laitteen säilyttäminen pystyasennossa ei ole mahdollista, säilytä laitetta siten, että leikkuupää on moottorin alapuolella. Varmista huolellisesti, että laite ei pääse kaatumaan varastoinnin aikana. Se voi aiheuttaa vammoja.
- Säilytä laitteesta tyhjennettyä polttoainetta tarkoitukseen soveltuvassa astiassa varjoisassa ja hyvin ilmastoidussa paikassa.



### Pitkän käyttämättömyyden jälkeen huomattavaa

- Jos laite on pitkään käyttämättä, vaihda öljy ennen käynnistystä (ks. s. 104). Öljyn laatu heikkenee myös laitteen ollessa käyttämättömänä.

Kohde	Käyttötunnit	Ennen käyttöä	Tankaamisen jälkeen	Päivittäin (10 h)	30 h	50 h	200 h	Ennen säilytystä	Vastaava sivu
Moottoriöljy	Tarkista/ puhdistaa	○							94
	Vaihda					○*1			104
Kiristettävät osat (pultit, mutterit)	Tarkasta	○							106
Polttoainesäiliö	Puhdistaa/ tarkasta	○							—
	Poista polttoaine							○*3	107
Kaasuvipu	Tarkista toiminta		○						—
Seis-kytkin	Tarkista toiminta		○						104
Leikkaustyökalu	Tarkasta	○		○					91
Joutokäyntinopeus	Tarkasta/ säädä			○					100
Ilmanpuhdistin	Puhdistaa			○					105
Sytytystulppa	Tarkasta			○					106
Jäähdytysilmakanava ja sylinterin rivat	Puhdistaa/ tarkasta			○					107
Polttoaineputki	Tarkasta			○					107
	Vaihda						◎*2		—
Hammasrattaiston kotelon rasva	Lisää				○				106
Polttoaineensuodatin	Puhdistaa/ vaihda					○			106
Venttiilinvälitys (imu- ja pakiventtiili)	Tarkasta/ säädä						◎*2		—
Kaasutin	Poista polttoaine							○*3	107

\*1 Vaihda ensimmäisen kerran 20 käyttötunnin jälkeen.

\*2 Laite tulee tarkastuttaa 200 käyttötunnin jälkeen valtuutetussa huoltoliikkeessä tai korjaamossa.

\*3 Kun polttoainesäiliö on tyhjenetty, käytä moottoria, jotta myös kaasutin tyhjenee.

## VIANMÄÄRITYS

Tarkista laite itse, ennen kuin viet sen huoltoon. Jos löydät jotakin normaalista poikkeavaa, toimi tämän ohjekirjan ohjeiden mukaan. Älä tee muutoksia tai irrota osia ohjeiden vastaisesti. Vie laite korjattavaksi valtuutettuun huoltoliikkeeseen tai myyjälle.

Vikatila	Todennäköinen syy (vika)	Korjaus
Moottori ei käynnisty.	I-O-kytkin on STOP-asennossa.	Aseta I-O-kytkin KÄYTTÖ-asentoon.
	Rikastinpumppua ei ole käytetty.	Paina 7–10 kertaa.
	Käynnistinnarusta on vedetty liian varovaisesti.	Vetäise kunnolla.
	Polttoaine on lopussa.	Tankkaa.
	Polttoaineensuodatin on tukkeutunut.	Puhdista.
	Polttoaineputki on vaurioitunut.	Suorista polttoaineputki.
	Polttoaine on pilaantunut.	Pilaantunut polttoaine vaikeuttaa käynnistämistä. Vaihda uuteen. (Suositeltava vaihtoväli: 1 kuukausi).
	Polttoainetta tulee liikaa.	Aseta kaasuvipu keskiasennosta yläasentoon ja vedä käynnistinkahvasta, kunnes moottori käynnistyy. <b>Metalliterä alkaa pyöriä moottorin käynnistyessä. Varo pyörivää metalliterää.</b> Jos moottori ei käynnisty vielä, irrota sytytystulppa, kuivaa elektrodi ja asenna osat takaisin paikalleen. Käynnistä sitten ohjeen mukaan.
	Sytytystulpan hattu on irti.	Kiinnitä kunnolla.
	Sytytystulppa on likainen.	Puhdista.
	Sytytystulpan kärkiväli on väärä.	Säädä väli.
	Sytytystulppa ei toimi normaalisti.	Vaihda.
	Kaasutin ei toimi normaalisti.	Vie laite huoltoon.
	Käynnistinnarusta ei voi vetää.	Vie laite huoltoon.
Voimansiirto ei toimi normaalisti.	Vie laite huoltoon.	
Moottori sammuu nopeasti. Moottorin kierrokset eivät nouse.	Riittämätön lämmityskäyttö.	Anna moottorin lämmetä.
	Kuristinvipu on KIINNI-asennossa, vaikka moottori on lämmin.	Siirrä AUKI-asentoon.
	Polttoaineensuodatin on tukkeutunut.	Puhdista.
	Ilmanpuhdistin on likainen tai tukkeutunut.	Puhdista.
	Kaasutin ei toimi normaalisti.	Vie laite huoltoon.
	Voimansiirto ei toimi normaalisti.	Vie laite huoltoon.
Metalliterä ei pyöri. ↓ Pysäytä moottori heti.	Metalliterän kiristysmutteri on löystynyt.	Kiristä tiukasti.
	Metalliterään tai suojakanteen on tarttunut oksia.	Poista vierasaineet
	Voimansiirto ei toimi normaalisti.	Vie laite huoltoon.
Laitteessa ilmenee epätavallista tärinää. ↓ Pysäytä moottori heti.	Metalliterä on rikkoutunut, taipunut tai kulunut.	Vaihda metalliterä
	Metalliterän kiristysmutteri on löystynyt.	Kiristä tiukasti.
	Metalliterän kupera osa ja tukiosa siirtyneet paikoiltaan.	Kiinnitä kunnolla.
	Voimansiirto ei toimi normaalisti.	Vie laite huoltoon.
Metalliterä ei pysähdy heti. ↓ Pysäytä moottori heti.	Joutokäynnin kierrosluku on suuri.	Säädä.
	Irronnut kaasuvaijeri.	Kiinnitä kunnolla.
	Voimansiirto ei toimi normaalisti.	Vie laite huoltoon.
Moottori ei sammu. ↓ Laske kierrokset joutokäynnille ja käännä kuristinvipu KIINNI-asentoon.	Liitin on irti.	Kiinnitä kunnolla.
	Sähköjärjestelmä ei toimi normaalisti.	Vie laite huoltoon.

Jos moottori ei käynnisty lämmityksen jälkeen:

Jos tarkistuskohtien avulla ei löytynyt mitään epänormaalia, avaa kaasua noin 1/3 ja käynnistä moottori.

Pateicamies, ka iegādājāties MAKITA ārpustelņu mehanizēto aprīkojumu. Mēs ar prieku piedāvājam MAKITA izstrādājumu, kas radīts ilgās izstrādes programmas rezultātā, izmantojot daudzus zināšanu un pieredzes gadus. Lūdzam, izlasiet šo bukletu, kurā sīki aprakstīti dažādi aspekti, kas nodrošina izcilu ierīces darbību. Tas palīdzēs gūt labākos iespējamus rezultātus ar MAKITA izstrādājumu.



## Saturs

## Lappuse

Simboli.....	110
Drošības instrukcijas .....	111
Tehniskie dati.....	115
Daļu apzīmējumi.....	116
Roktura piestiprināšana.....	117
Aizsarga piestiprināšana .....	118
Metāla asmens vai neilona griezējgalvas piestiprināšana .....	120
Pirms ekspluatācijas uzsākšanas.....	121
Aparāta pareiza izmantošana.....	123
Norādījumi par ekspluatāciju un apturēšana .....	125
Griezējinstrumenta asināšana .....	128
Apkopes norādījumi.....	131
Uzglabāšana.....	134

## SIMBOLI

Lasot lietošanas rokasgrāmatu, būs norādīti šādi simboli.

	Izlasiet lietošanas rokasgrāmatu un ievērojiet brīdinājumus un drošības norādījumus!		Neļaujiet apkārtnē atrasties cilvēkiem un dzīvniekiem!
	Esiet īpaši rūpīgi un uzmanīgi!		Lietojiet aizsargcepuri, acu un ausu aizsargus!
	Aizliegts!		Lielākais pieļaujamais instrumenta ātrums
	Ievērojiet distanci!		Degviela (benzīns)
	Iespējami lidojoši priekšmeti!		Dzinēja iedarbināšana ar roku
	Atsitiens!		Ārkārtas apturēšana
	Smēķēt aizliegts!		Pirmā palīdzība
	Atklāta liesma aizliegta!		IESLĒGT/SĀKT
	Valkājiet aizsargcimdus!		IZSLĒGT/APTURĒT
	Valkājiet cietus apavus ar neslidošām zolēm. Ieteicami apavi ar tērauda purngaliem!		DROSELES AIZSLĒGA STĀVOKLIS

# DROŠĪBAS INSTRUKCIJAS

## Vispārēji norādījumi

- Izlasiet šo lietošanas rokasgrāmatu, lai iepazītos ar aprīkojuma lietošanu. Lietotāji, kas nebūs pietiekami labi informēti, pakļaus sevi un arī citus bīstamam riskam, nepareizi rīkojoties ar aprīkojumu.
- Aprīkojumu ieteicams dot vienīgi tādām personām, kas jau iepriekš ir strādājušas ar to.  
Vienmēr izsniedziet lietošanas rokasgrāmatu.
- Lietotājiem, kas aparātu izmantos pirmo reizi, būtu jālūdz izplatītājam sniegt pamata instrukcijas, lai iepazītos ar krūmgriezi.
- Bērni un jaunieši, kas nav sasnieguši 18 gadu vecumu, nedrīkst izmantot aprīkojumu. Tomēr jaunieši, kas vecāki par 16 gadiem, drīkst lietot aparātu apmācības nolūkiem, kvalificēta instruktora tiešā uzraudzībā.
- Lietojiet aparātu ar vislielāko rūpību un uzmanību.
- Aparātu lietojiet tikai tad, ja esat labā fiziskā stāvoklī. Visus darbus veiciet mierīgi un uzmanīgi. Lietotājam jāuzņemas atbildība par pārējiem.
- Nekad neizmantojiet aprīkojumu pēc alkohola vai narkotiku lietošanas vai, ja esat noguris vai slims.
- Valsts noteikumi var ierobežot aparāta lietošanu.

## Aparāta paredzētā izmantošana

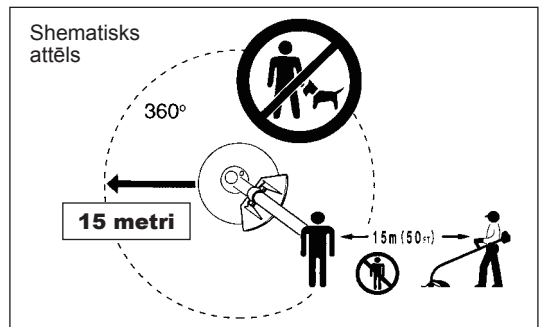
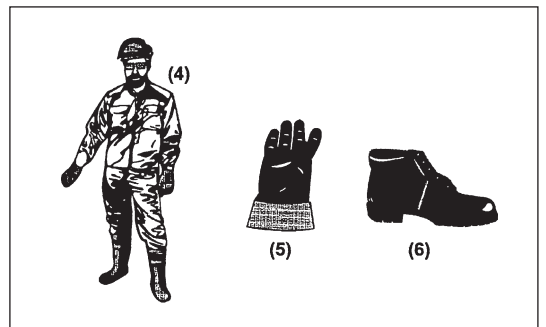
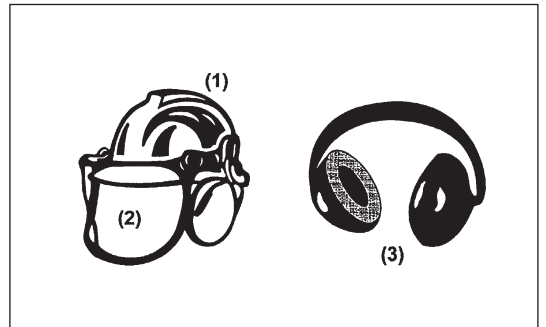
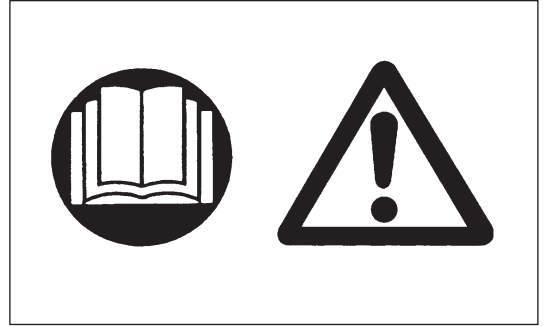
- Šis aprīkojums ir paredzēts tikai zāles, nezāļu, krūmu un krūmāju griešanai. To nedrīkst izmantot citiem mērķiem, piemēram, malu apgriešanai vai dzīvzoģu cirpšanai, jo tas var izraisīt ievainojumus.

## Personīgais aizsargaprīkojums

- Valkātajam apģērbam jābūt funkcionālam un piemērotam, t.i., tam jābūt cieši pieguļošam, taču tas nedrīkst ierobežot kustības. Nenēsājiet tādas rotaslietas vai apģērbu, kas var ieķērties krūmos vai brikšņos.
- Eksploatācijas laikā jālieto šeit minētais aizsargaprīkojums un aizsargapģērbs, lai neievainotu galvu, acis, plaukstas vai pēdas, kā arī lai pasargātu dzirdi.
- Vienmēr valkājiet aizsargcepuri, ja pastāv krītošu priekšmetu risks. Regulāri jāpārbauda, vai aizsargcepurei (1) nav bojājumu, un tā jānomaina vēlākais pēc 5 gadiem. Izmantojiet tikai apstiprinātu aizsargcepuri.
- Aizsargcepures aizsargstikls (2) (vai aizsargbrilles) seju aizsargā no lidojošiem netīrumiem un akmeņiem. Eksploatācijas laikā vienmēr lietojiet aizsargbrilles vai aizsargstiklu, lai neievainotu acis.
- Izmantojiet piemērotus trokšņa aizsardzības līdzekļus (ausiņas (3), ausu aizbāžņus u.c.).
- Darba kombinezons (4) aizsargā no lidojošiem netīrumiem un akmeņiem. Mēs stingri iesakām lietotājam valkāt darba kombinezoni.
- Cimdi (5) ir daļa no minētā aprīkojuma un tie vienmēr jāvalkā eksploatācija laikā.
- Lietojot aprīkojumu, vienmēr valkājiet cietus apavus (6) ar neslīdošām zolēm. Tie pasargā no ievainojumiem un nodrošina stabilu pamatu.

## Krūmgrieža iedarbināšana

- Lūdzu, pārbaudiet, vai darba zonas apgabalā – 15 metru (50 pēdu) attālumā – neatrodas bērni vai citi cilvēki, kā arī uzmanieties no dzīvniekiem tuvumā.
- Pirms lietošanas vienmēr pārbaudiet, vai ierīce ir eksploatācijā droša. Pārbaudiet, vai griezējinstrumenti ir droši, vai droseles svira ir viegli lietojama un pārbaudiet, vai droseles sviras aizslēgs darbojas pareizi.
- Tukšgaitas ātrumā griezējinstrumenti nedrīkst griezties. Ja rodas šaubas, sazinieties ar izplatītāju, lai noregulētu instrumentu. Pārbaudiet, vai rokturi ir tīri un sausi un pārbaudiet ieslēgšanas/izslēgšanas slēdža funkcionēšanu.

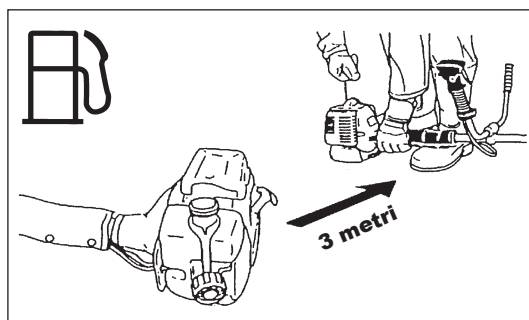
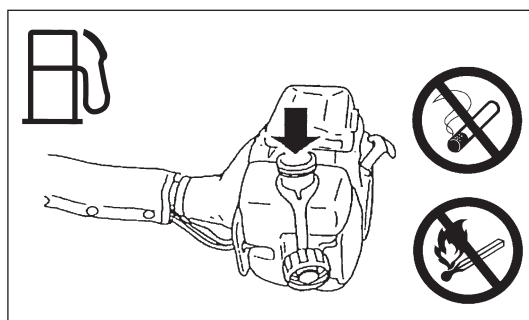
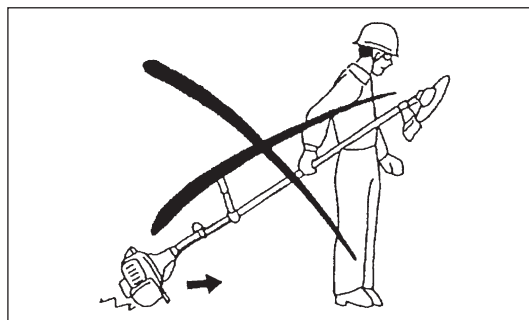
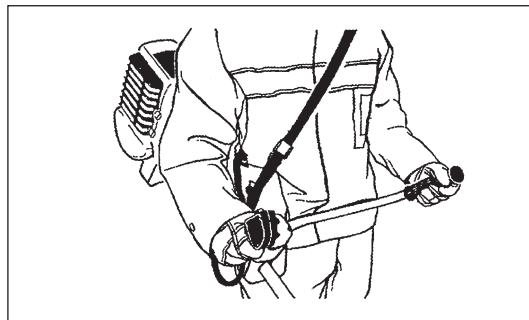
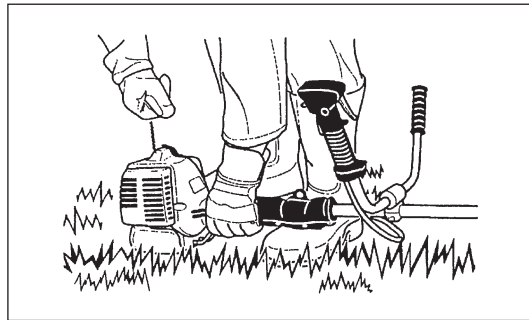


Iedarbiniet krūmgriezi tikai saskaņā ar instrukcijām.

- Dzinēja iedarbināšanai neizmantojiet nevienu citu paņēmieni!
- Izmantojiet krūmgriezi un instrumentus tikai norādītajām darbībām.
- Dzinēju iedarbiniet tikai tad, kad montāža ir pilnībā pabeigta. Ar ierīci atļauts strādāt tikai tad, kad visi nepieciešamie piederumi ir tai pievienoti!
- Pirms iedarbināšanas pārbaudiet, vai griezējinstrumenta nesaskaras ar cietiem priekšmetiem, piemēram, zariem, akmeņiem u.c., jo pēc iedarbināšanas griezējinstrumenta sāks griezties.
- Ja ar dzinēju rodas kādas problēmas, tas ir nekavējoties jāaptur.
- Ja griezējinstrumenta saskaras ar akmeņiem vai citiem cietiem priekšmetiem, nekavējoties izslēdziet dzinēju un pārbaudiet griezējinstrumentu.
- Regulāri pārbaudiet, vai griezējinstrumentam nav bojājumu (sīkas plaisas nosakiet ar zīšanas trokšņa pārbaudi).
- Ja ierīce ir saņēmusi smagu triecienu vai kritusi, pārbaudiet tās stāvokli, pirms turpināt darbu. Pārbaudiet, vai degvielas sistēmā nav noplūžu un vai drošības ierīcēm nav kļūmju. Ja ir bojājumi vai rodas šaubas, vērsieties mūsu pilnvarotajā apkopes centrā, lai veiktu pārbaudi un remontu.
- Krūmgriezi lietojiet tikai ar piestiprinātu pleca siksnu, ko pirms ekspluatācijas piemēroti noregulējiet. Svarīgi ir noregulēt pleca siksnu atbilstoši lietotāja izmēram, lai novērstu nogurumu, kas var rasties lietošanas laikā. Lietošanas laikā nekad neturiet griezējaparātu ar vienu roku.
- Ekspluatācijas laikā vienmēr turiet krūmgriezi ar abām rokām. Vienmēr stingri stāviet uz pamatnes.
- Aprīkojumu turiet tādā veidā, lai nepieļautu izplūdes gāzes ieelpošanu. Nekad nedarbiniet dzinēju slēgtās telpās (rīks saindēties ar gāzi). Oglekļa monoksīds ir gāze bez aromāta.
- Izslēdziet dzinēju atpūtas laikā un, atstājot aprīkojumu bez uzraudzības, kā arī novietojiet to drošā vietā, lai nepakļautu riskam citus un lai nebojātu aparātu.
- Nekad nenovietojiet karstu krūmgriezi uz sausas zāles vai uz viegli uzliesmojošiem priekšmetiem.
- Pirms dzinēja iedarbināšanas aprīkojumam vienmēr uzstādiet apstiprinātu griezējinstrumenta aizsargu. Citādi saskare ar griezējinstrumentu var izraisīt smagus ievainojumus.
- Ekspluatācijas laikā jāizmanto viss aizsargaprīkojums un visas aizsargierīces, kas piegādātas kopā ar aparātu.
- Nekad nelietojiet dzinēju, ja tam bojāts izplūdes klusinātājs.
- Pārvadāšanas laikā izslēdziet dzinēju.
- Aprīkojuma pārvietošanas laikā vienmēr piestipriniet vāku metāla asmenim.
- Lai nepieļautu degvielas noplūdi, pārvadājot ar automobili, aprīkojumu novietojiet drošā stāvoklī.
- Pārvadājot aprīkojumu, nodrošiniet, lai degvielas tvertne ir pilnībā tukša.
- Aprīkojumu ņemot ārā no automobīla, nenometiet dzinēju, jo tas var nopietni bojāt degvielas tvertni.
- Izmantojiet ārkārtas gadījumus, nekad nemetiet vai nesviediet ierīci pret zemi, jo tas var nopietni bojāt ierīci.
- Pārvietojot aprīkojumu, to pilnībā paceliet no zemes. Degvielas tvertnes vilkšana ir ļoti bīstama un var izraisīt degvielas tvertnes bojājumu un noplūdi, kā arī, iespējams, izraisīt ugunsgrēku.

## Uzpildīšana

- Uzpildīšanas laikā apturiet dzinēju, uzturieties pietiekami tālu no atklātas liesmas un nesmēķējiet.
- Nepieļaujiet, lai minerāleļļas produkti nokļūst uz ādas. Neieelpojiet degvielas garaiņus. Uzpildīšanas laikā vienmēr valkājiet aizsargcimdus. Regulāri nomainiet un tīriet aizsargapģērbu.
- Lai nepiesārņotu augsni (aizsargātu apkārtējo vidi), rūpējieties, lai neizšļakstītu ne degvielu, ne eļļu. Krūmgriezi notīriet uzreiz pēc degvielas izšļakstīšanās.
- Nepieļaujiet, ka degviela nokļūst uz jūsu apģērba. Nekavējoties nomainiet apģērbu, ja uz tā ir izšļakstījusies degviela (lai nepieļautu apģērba aizdegšanos).
- Regulāri pārbaudiet degvielas vāciņu, pārliecinoties, vai tas ir cieši pieskrūvēts, un no tā nav noplūdes.
- Uzmanīgi pieskrūvējiet degvielas tvertnes vāciņu. Pirms dzinēja iedarbināšanas nostāvieties citā vietā (vismaz 3 metrus tālāk no uzpildīšanas vietas).
- Nekad neuzpildiet slēgtā telpā. Degvielas garaiņi koncentrējas zemes līmenī (sprādzienbīstamība).
- Degvielu pārvadājiet un uzglabājiet tikai pārbaudītās tvertnēs. Pārbaudiet, vai degvielai, kas novietota glabāšanai, nevar piekļūt bērni.





## Ekspluatācijas metode

- Izmantojiet tikai labā apgaismojumā un redzamībā. Ziemā esiet uzmanīgi slidenās vai slapjās vietās, uz ledu un sniegā (paslīdēšanas risks). Vienmēr pārliecinieties par stabilu pamatu.
- Nekad nezāģējiet augstāk par vidukļa augstumu.
- Nekad nestāviet uz kāpnēm.
- Nekad nekāpiet kokā, lai veiktu griešanu.
- Nekad nestrādājiet uz nestabilām virsmām.
- Atbrīvojiet darba zonas apgabalu no smiltīm, akmeņiem, naglām u.c. Svešķermeņi var bojāt griezējinstrumentu un izraisīt bīstamu atsitienu.
- Pirms griešanas uzsākšanas griezējinstrumentam ir jāsasniedz pilns darba ātrums.
- Izmantojot metāla asmeņus, darbarīku vienmērīgi pārvietojot pusaplī no labās uz kreiso pusi – līdzīgi kā ar izkapti.  
Ja starp griezējinstrumentu un aizsargu ieķeras zāle vai zari, pirms tīrīšanas vienmēr apturiet dzinēju. Citādi nejauša asmens griešanās var izraisīt smagus ievainojumus.
- Regulāri atpūties, lai novērstu noguruma izraisītu kontroles zudumu. Mēs iesakām atpūties 10 līdz 20 minūtes ik pēc stundas.

## Griezējinstrumenti

- Izmantojiet pareizo griezējinstrumentu paredzētajam darbam.  
Neilona griezējgalvas (zāles trimera galvas) ir piemērotas mauriņa zāles griešanai.  
Metāla asmeņi ir piemēroti nezāļu, garas zāles, krūmu, brikšņu, krūmāju, ataugu u.c. griešanai.  
Nekad neizmantojiet citus asmeņus, tostarp vairāku posmu metāla ķēdes un spriguļa asmeņus. Citādi var gūt smagus ievainojumus.
- Izmantojot metāla asmeņus, nepieļaujiet atsitienu un vienmēr esiet gatavi nejaušam atsitienu. Skatiet sadaļu „Atsitiens” un „Atsitienu novēršana”.

## Atsitiens (asmens grūdiens)

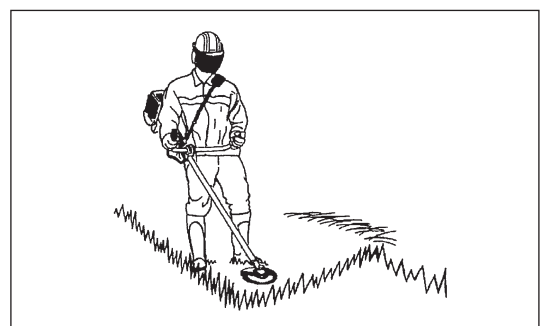
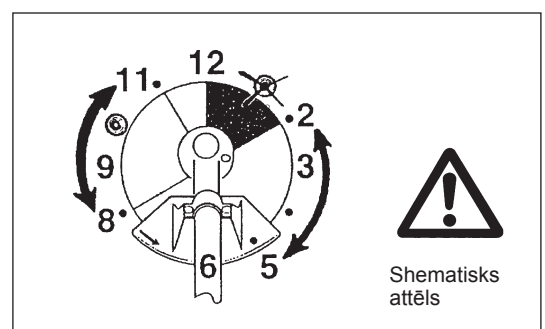
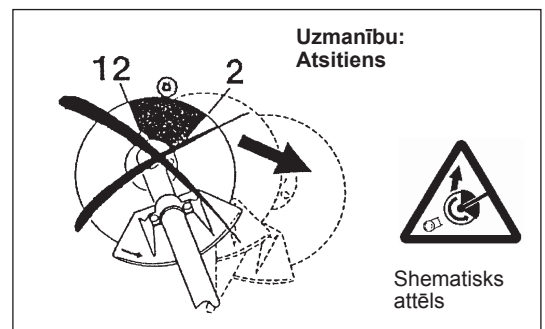
- Atsitiens (asmens grūdiens) ir pēkšņa reakcija uz saspiestu vai saliektu metāla asmeni. Ja rodas atsitiens, ierīci ar lielu spēku var izmest sāniski vai pret operatoru, un tas var izraisīt smagus ievainojumus.
- Atsitiens rodas īpaši tad, ja izmanto asmens posmu, kas attēlā norādīts starp 12 un 2, zāģējot cietu koksni, krūmus un kokus, kuriem 3 cm vai lielāks diametrs.
- Lai nepieļautu atsitienu:
  - izmantojiet asmens posmu starp 8 un 11;
  - nekad neizmantojiet asmens posmu starp 12 un 2;
  - nekad neizmantojiet asmens posmu starp 11 un 12 un starp 2 un 5, ja vien lietotājs nav pietiekami apmācīts un pieredzējis, kā arī pats/-i uzņemas risku;
  - nekad neizmantojiet metāla asmeņus pārāk tuvu cietiem priekšmetiem, piemēram, žogiem, sienām, stumbriem un akmeņiem;
  - nekad neizmantojiet metāla asmeni vertikāli, piemēram, malu apgriešanai vai dzīvžogu cirpšanai.

## Vibrācija

- Ja personas, kam ir vāja asinsrite, ir pakļautas pārmērīgai vibrācijai, tiem var rasties asinsvadu vai nervu sistēmas ievainojumi. Vibrācija var radīt šādus simptomus pirkstos, plaukstās vai plaukstu locītavās: „iemīgšanu” (nejūtīgumu), tirpšanu, sāpes, durstīgas sajūtas, izmaiņas ādas krāsā vai ādas izmaiņas. Ja novērojami kādi no minētajiem simptomiem, apmeklējiet ārstu!
- Lai samazinātu „balto pirkstu slimības” rašanās risku, ekspluatācijas laikā uzturiet rokas siltas un veiciet kārtīgu apkopi aprīkojumam un piederumiem.

## Tehniskās apkopes norādījumi

- Nododiet aprīkojumu apkopei pilnvarotā servisa centrā un vienmēr izmantojiet tikai oriģinālās rezerves daļas. Nepareiza labošana un slikta apkope var saīsināt aprīkojuma kalpošanas laiku un palielināt negadījumu risku.
- Pirms darba sākšanas pārbaudiet griezējaparāta stāvokli - īpaši pārbaudiet griezējinstrumenta aizsargierīces un pleca siksnu. Īpašu uzmanību pievēršiet metāla asmeņiem, kuri ir pareizi jāuzsina.
- Pirms griezējinstrumentu maiņas vai asināšanas, vai pirms griezējaparāta vai griezējinstrumenta tīrīšanas izslēdziet dzinēju un izvelciet aizdedzes sveces savienotāju.



## Nekad nemēģiniet iztaisnot vai sametināt bojātu griezējinstrumentu.

- Esiet saudzīgs pret dabu. Izvairieties no nevajadzīgas droseles darbināšanas, lai radītu mazāku piesārņojumu un trokšņa emisiju. Noregulējiet pareizi karburatoru.
- Aprīkojumu regulāri tīriet un pārbaudiet, vai visas skrūves un uzgriežņi ir cieši pieskrūvēti.
- Nekad neveiciet tehnisko apkopi aprīkojumam vai arī to neuzglabājiet atklātas liesmas tuvumā.
- Vienmēr uzglabājiet aprīkojumu aizslēgtā telpā, ar tukšu degvielas tvertni.
- Aprīkojuma tīrīšanas, apkopes un uzglabāšanas laikā vienmēr piestipriniet vāku metāla asmenim.



Ievērojiet visas attiecīgās negadījumu novēršanas instrukcijas, ko izdod arodbiedrības un apdrošināšanas uzņēmumi. Aprīkojumam neveiciet nekādus pārveidojumus, jo tādējādi apdraudēsiet savu drošību.

Lietotājs drīkst veikt tikai tos tehniskās apkopes vai remonta darbus, kas norādīti šajā lietošanas rokasgrāmatā. Visi pārējie darbi jāveic pilnvarotam servisa pārstāvim. Izmantojiet tikai oriģinālās rezerves daļas un papildpiederumus, ko izplata un piegādā MAKITA.

Ja izmantosit neapstiprinātus papildpiederumus un instrumentus, palielināsies negadījumu risks.

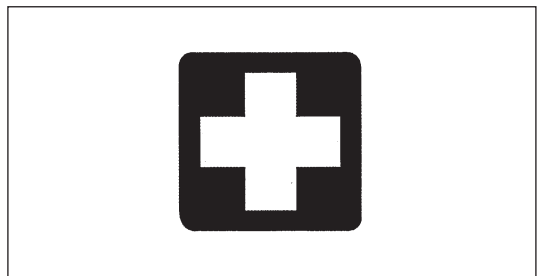
MAKITA neuzņemsies nekādu atbildību par negadījumiem vai bojājumiem, ko izraisījis neapstiprinātu griezējinstrumentu un griezējinstrumentu nostiprināšanas palīgierīču vai papildpiederumu izmantošana.

## Pirmā palīdzība

Pārbaudiet, vai griešanas darbu veikšanas tuvumā atrodas pirmās palīdzības aptieciņa, ja notiek negadījums. Ja no pirmās palīdzības aptieciņas paņemts kāds priekšmets, nekavējoties atlieciet vietā jaunu.

## Lūdzot palīdzību, vienmēr sniedziet šādu informāciju:

- negadījuma vieta
- kas tieši atgadījās
- ievainoto personu skaits
- ievainojumu veids
- jūsu vārds



---

Tikai Eiropas valstīm

## EK atbilstības deklarācija

**Uzņēmums „Makita Corporation”, kā atbildīgais ražotājs paziņo, ka šāds „Makita” instruments:**

Instrumenta nosaukums: Benzīna krūmgriezis  
Modeļa Nr./ tips: EM4351UH, EM4350UH, EM4350LH  
Specifikācijas: skatīt tabulu „TEHNISKIE DATI”

Ir sērijveida izstrādājums un

**Atbilst šādām Eiropas Savienības Direktīvām:**

2000/14/EK, 2006/42/EK

Un ražoti saskaņā ar šādu standartu vai normatīvajiem dokumentiem:

EN ISO 11806-1

Tehnisko dokumentāciju uztur mūsu pilnvarotais pārstāvis Eiropā –

Makita International Europe Ltd.,  
Michigan Drive, Tongwell, Milton Keynes, Bucks MK15 8JD, Anglija

Atbilstības novērtējuma procedūra, ko nosaka Direktīva 2000/14/EK, veikta atbilstoši V pielikumam.

EM4351UH:

Novērtētais skaņas jaudas līmenis: 114,3 dB

Garantētais skaņas jaudas līmenis: 116 dB

EM4350UH:

Novērtētais skaņas jaudas līmenis: 113,8 dB

Garantētais skaņas jaudas līmenis: 115 dB

EM4350LH:

Novērtētais skaņas jaudas līmenis: 110,7 dB

Garantētais skaņas jaudas līmenis: 112 dB

8. 9. 2011

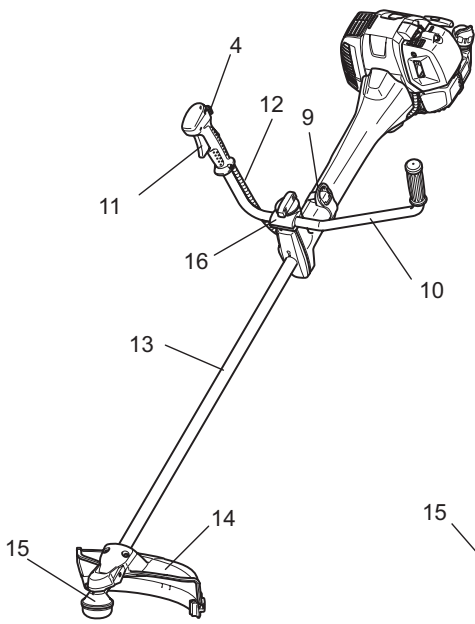
Tomoyasu Kato  
Direktors  
Makita Corporation  
3-11-8, Sumiyoshi-cho,  
Anjo, Aichi, JAPAN

## TEHNISKIE DATI EM4351UH, EM4350UH, EM4350LH

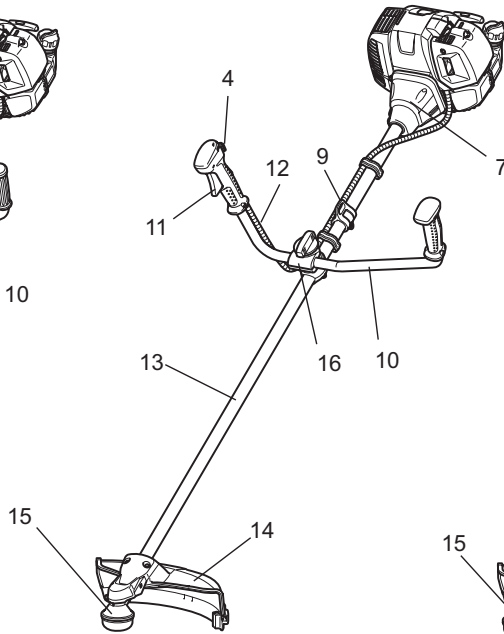
Modelis			EM4351UH	EM4350UH	EM4350LH				
Roktura veids			Ragu tipa rokturis	Ragu tipa rokturis	Cilpas rokturis				
Izmēri: garums x platums x augstums (bez griezējinstrumenta)		mm	1 812 x 618 x 528	1 812 x 635 x 460	1 812 x 339 x 250				
Svars (bez plastmasas aizsargierīces un griezējinstrumenta)		kg	8,6	8,3	7,9				
Tilpums (degvielas tvertne)		l	0,6						
Tilpums (eļļas tvertne)		l	0,1						
Dzinēja darba tilpums		cm <sup>3</sup>	43,0						
Maksimālā dzinēja jauda		kW	1,5 pie 7 500 min <sup>-1</sup>						
Dzinēja ātrums ieteicamajā vārpstas maksimālajā ātrumā		min <sup>-1</sup>	10 500						
Vārpstas maksimālais ātrums (atbilstošais)		min <sup>-1</sup>	7 200						
Tukšgaitas ātrums		min <sup>-1</sup>	3 000						
Sajūga iedarbināšanas ātrums		min <sup>-1</sup>	4 000						
Karburators			Diafragmas veids						
Aizdedzes sistēma			Bezkontakta, magnēta						
Aizdedzes svece		tips	NGK CMR6A						
Elektroda sprauga		mm	0,7 - 0,8						
			GRIEZĒJASMENS	NEILONA GRIEZĒJGALVA	GRIEZĒJASMENS	NEILONA GRIEZĒJGALVA	GRIEZĒJASMENS	NEILONA GRIEZĒJGALVA	
Vibrācija atbilstīgi ISO 22867	Labais rokturis (aizmugures rokturis)	$a_{hv\ eq}$	m/s <sup>2</sup>	2,2	2,5	3,1	4,0	4,2	2,6
		Nenoteiktība K	m/s <sup>2</sup>	0,5	0,3	0,5	0,7	1,1	0,7
	Kreisais rokturis (priekšējais rokturis)	$a_{hv\ eq}$	m/s <sup>2</sup>	1,7	2,6	4,8	5,0	3,8	3,7
		Nenoteiktība K	m/s <sup>2</sup>	0,5	1,3	2,9	0,6	1,0	1,4
Skaņas spiediena vidējais līmenis atbilstīgi ISO 22868		$L_{PA\ eq}$	dBA	92,4	99,8	91,2	99,1	92,8	94,9
		Nenoteiktība K	dBA	1,8	1,0	2,2	1,3	1,6	2,1
Skaņas jaudas vidējais līmenis atbilstīgi ISO 22868		$L_{WA\ eq}$	dBA	101,8	114,3	103,1	113,8	103,4	107,7
		Nenoteiktība K	dBA	1,8	1,5	1,1	1,1	1,5	1,2
Degviela			Automobiļu benzīns						
Dzinēja eļļa			API kategorijas SF vai augstākas klases, SAE klasifikācijas 10W-30 eļļa (4 taktu dzinēja eļļa automobiļiem)						
Griezējinstrumenti (griezējasmens diam.)		mm	305 (ar trīs asmeņiem)						
Pārnese skaitlis			13/19						

# DAĻU APZĪMĒJUMI

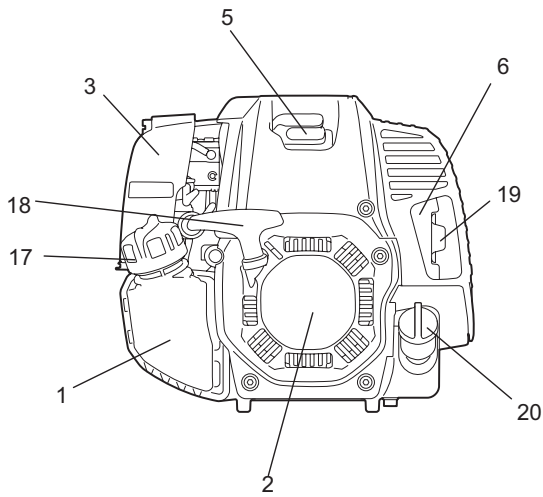
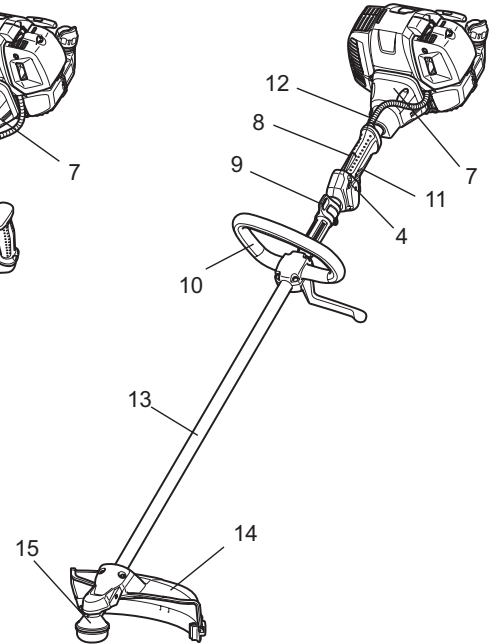
## EM4351UH



## EM4350UH



## EM4350LH



LV	DAĻU APZĪMĒJUMI
1	Degvielas tvertne
2	Rokas starteris
3	Gaisa attīrītājs
4	I-O (ieslēgšanas/izslēgšanas) un droseles aizslēga slēdzis
5	Aizdedzes svece
6	Izplūdes klusinātājs
7	Sajūga korpuss
8	Aizmugures rokturis
9	Cilpa
10	Rokturis
11	Droseles svira
12	Vadības vads
13	Vārpsta
14	Aizsargs (griezējinstrumenta aizsargs)
15	Pievada korpuss/ griezējgalvas korpuss
16	Roktura balsts
17	Degvielas tvertnes vāciņš
18	Iedarbināšanas kloķis
19	Izplūdes caurule
20	Eļļas vāciņš

## ROKTURA PIESTIPRINĀŠANA

UZMANĪBU: Pirms veikt jebkādu darbu aprīkojumam vienmēr izslēdziet dzinēju un no aizdedzes sveces izvelciet aizdedzes sveces savienotāju. Vienmēr valkājiet aizsargcimdus!

UZMANĪBU: Dzinēju iedarbiniet tikai tad, kad montāža ir pilnībā pabeigta.

### Modeļiem EM4351UH, EM4350UH

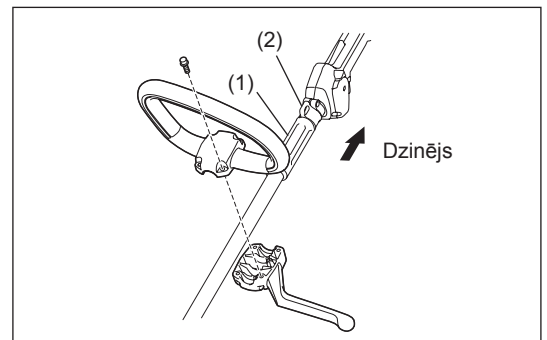
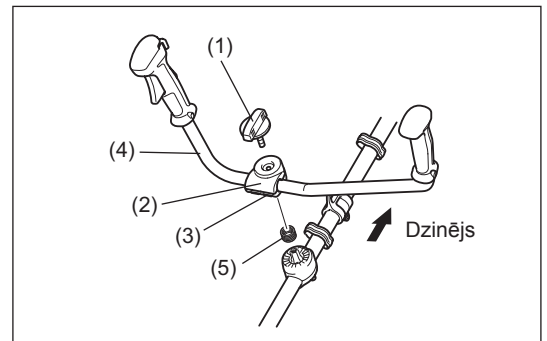
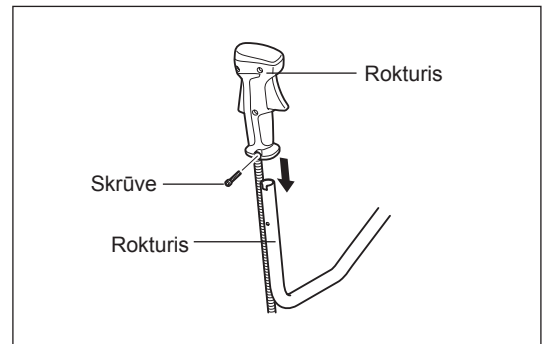
Ievietojiet roktura vārpstu rokturī, kā parādīts. Savietojiet skrūves atveri rokturī ar skrūves atveri vārpstā. Stingri pieskrūvējiet skrūvi.

- Atskrūvējiet kloķi (1).
- Novietojiet rokturi (4) starp roktura apskavu (2) un roktura balstu (3).
- Noregulējiet rokturi (4) tādā leņķī, kas sniedz ērtu darba stāvokli un pēc tam to cieši piespīriniet, ar roku pieskrūvējot kloķi (1).

UZMANĪBU: Neaizmirstiet pieskrūvēt atsperi (5).

### Modelim EM4350LH

- Piestipriniet cilpas rokturi pie vārpstas ar četrām skrūvēm.
- Lai starp rokturiem saglabātu pareizu attālumu, atstarpinātāju (1) uzstādiet starp cilpas rokturi un cilpu (2).



## AIZSARGA PIESTIPRINĀŠANA

Lai atbilstu spēkā esošiem noteikumiem, jāizmanto tikai tādas darbarīka/aizsarga kombinācijas, kas norādītas tabulā.

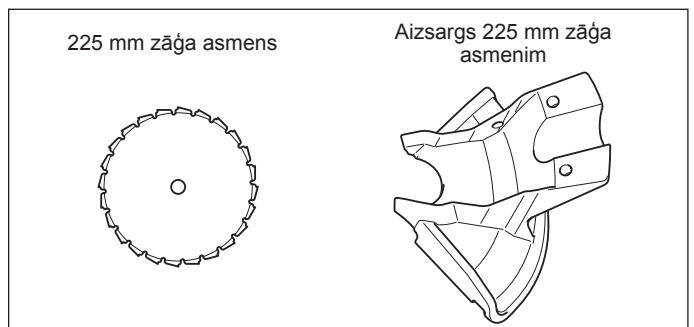
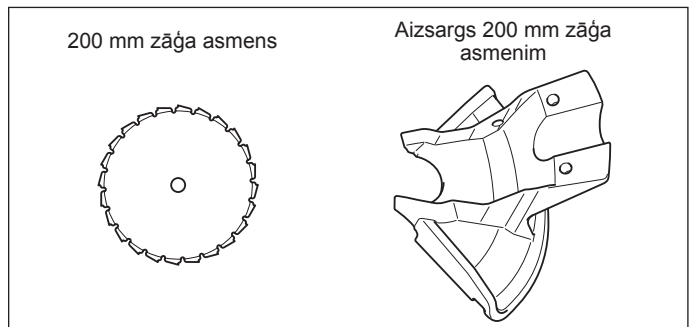
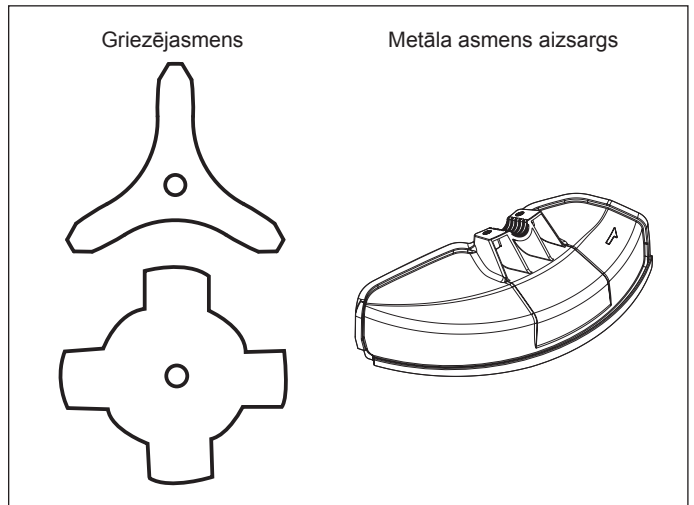


Izmantojiet tikai **MAKITA oriģinālos metāla asmeņus (zāģa asmeni un griezējasmēni) vai neilona griezējgalvu.**

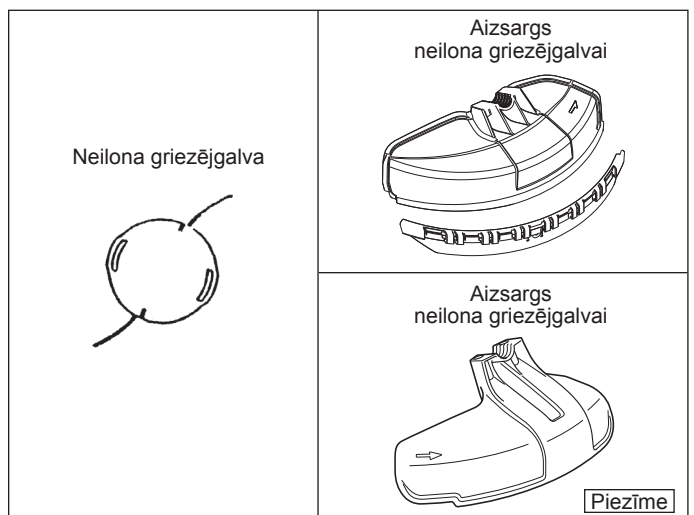
- Metāla asmenim jābūt nopulētam, bez plaisām un lūzumiem. Ja ekspluatācijas laikā metāla asmens atsitās pret akmeni, nekavējoties apturiet dzinēju un pārbaudiet asmeni.
- Ik pēc trim ekspluatācijas stundām metāla asmeni notīriet vai nomainiet.
- Ja ekspluatācijas laikā neilona griezējgalva atsitās pret akmeni, nekavējoties apturiet dzinēju un pārbaudiet neilona griezējgalvu.

**UZMANĪBU:** Savai drošībai un, lai ievērotu negadījumu novēršanas noteikumus, vienmēr jāuzstāda piemērots aizsargs. Nedrīkst izmantot aprīkojumu, ja aizsargierīce neatrodas savā vietā. Griezējasmens ārējam diametram jābūt 300 mm (12") vai mazākam. Neizmantojiet asmeni, kura ārējais diametrs ir lielāks par 300 mm (12"). Izmantojiet 200 mm zāģa asmens aizsargu tikai tad, ja izmantojat 200 mm zāģa asmeni. Izmantojiet 225 mm zāģa asmens aizsargu tikai tad, ja izmantojat 225 mm zāģa asmeni. Lietojot zāģa asmeni, neizmantojiet citas kombinācijas.

**PIEZĪME:** Griezējinstrumenta standarta kombinācijas dažādās valstīs var atšķirties.

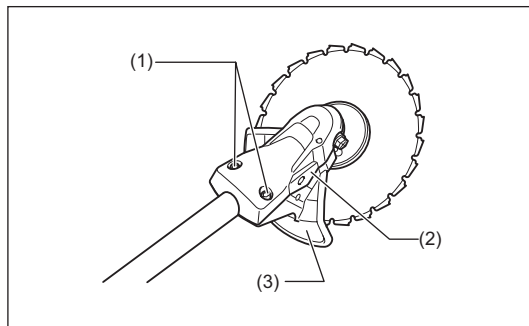
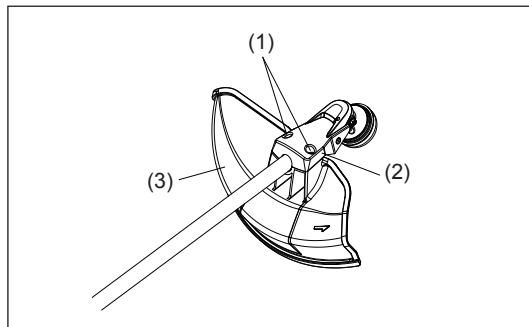


**PIEZĪME:** Lietojot šo aizsargu modelim EM4350LH kopā ar neilona griezējgalvu (B&F Z5L vai B&F Eco6L), starp uztverošo starpliku un neilona griezējgalvu izmantojiet izlīdzinošo starpliku (daļas Nr. 326755\*2). (Skatiet 120. lpp., lai uzzinātu par piestiprināšanu.)



- Lietojot metāla asmeni, piestipriniet aizsargu (3) pie apskavas (2) ar divām skrūvēm (1).

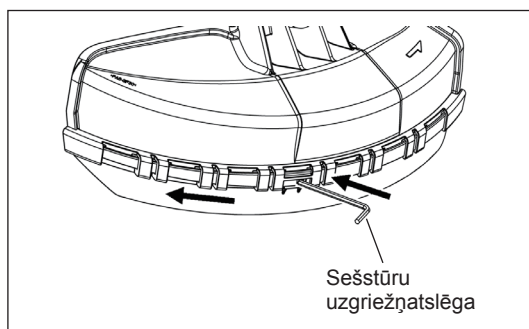
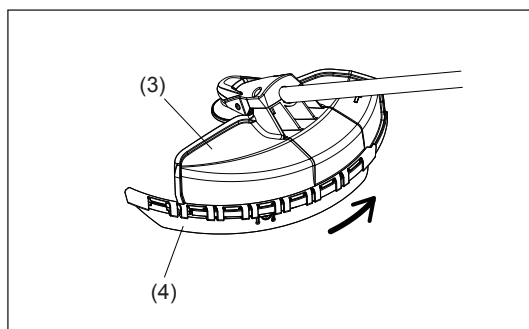
PIEZĪME: Labo un kreiso skrūvi pieskrūvējiet vienādi, lai attālums starp apskavu (2) un aizsargu (3) ir vienāds.  
Citādāk aizsargs dažreiz var nedarboties, kā norādīts.



- Izmantojot neilona auklas griezējgalvu, piestipriniet neilona auklas griezējgalvas aizsargu (4) pie metāla asmens aizsarga (3).
- Piestipriniet neilona auklas griezējgalvas aizsargu (4), virzot to vietā no metāla asmens aizsarga (3) vienas malas, kā parādīts.
- Noņemiet pie griezējdaļas, kas atrodas uz neilona auklas griezējgalvas aizsarga (4) un kas paredzēts neilona auklas griešanai, piestiprināto uzlīmi.

UZMANĪBU: Piespiediet neilona auklas griezējgalvas aizsargu (4), līdz tas ir pilnībā nofiksēts.  
Uzmanieties, lai neievainotu sevi ar griezējdaļu, kas paredzēta neilona auklas griešanai.

- Lai noņemtu neilona auklas griezējgalvas aizsargu (4), metāla asmens aizsarga (3) ierobā ievietojiet un pastumiet sešstūru uzgriežņatslēgu, vienlaicīgi virzot neilona auklas griezējgalvas aizsargu (4).



## METĀLA ASMENS VAI NEILONA GRIEZĒJGALVAS PIESTIPRINĀŠANA

Izmantojiet tikai MAKITA oriģinālos metāla asmeņus vai neilona griezējgalvu.

- Metāla asmenim jābūt nopolētam, bez plaisām un lūzumiem. Ja ekspluatācijas laikā metāla asmens atsitas pret akmeni, nekavējoties apturiet dzinēju un pārbaudiet asmeni.
- Ik pēc trim ekspluatācijas stundām metāla asmeni notīriet vai nomainiet.
- Ja ekspluatācijas laikā neilona griezējgalva atsitas pret akmeni, nekavējoties apturiet dzinēju un pārbaudiet neilona griezējgalvu.

**UZMANĪBU.** Savai drošībai un, lai ievērotu negadījumu novēršanas noteikumus, vienmēr jāuzstāda piemērots aizsargs. Nedrīkst izmantot aprīkojumu, ja aizsargierīce neatrodas savā vietā. Griezējasmens ārējam diametram jābūt 300 mm (12") vai mazākam. Neizmantojiet asmeni, kura ārējais diametrs ir lielāks par 300 mm (12").

Apgrieziet aparātu otrādi, lai varētu viegli nomainīt metāla asmeni vai neilona griezējgalvu.

- Sešstūru uzgriežņatslēgu ievietojiet atverē pievada korpusā un pieskrūvējiet uztverošo starpliku (4), līdz uzgriežņatslēga to nofiksē.
- Atskrūvējiet uzgriezni (1) (kreisās puses vītne) ar šarnīruzgriežņatslēgu un noņemiet uzgriezni (1), kausu (2) un piespiedējgredzenu (3).

### Metāla asmens piestiprināšana, kad sešstūru uzgriežņatslēga ir vietā

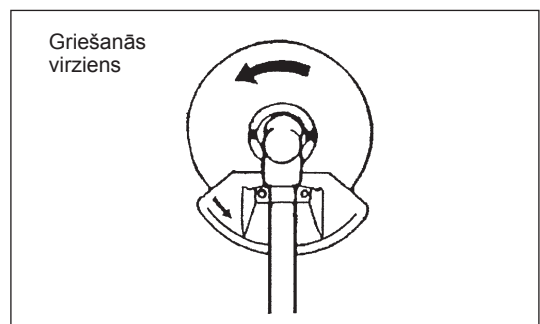
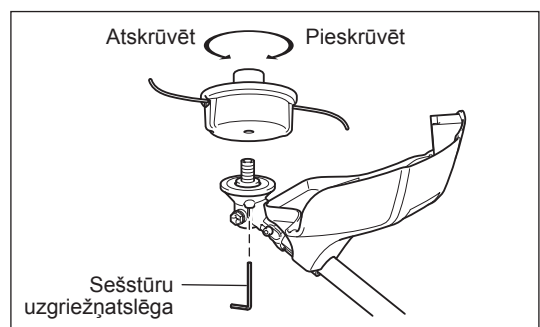
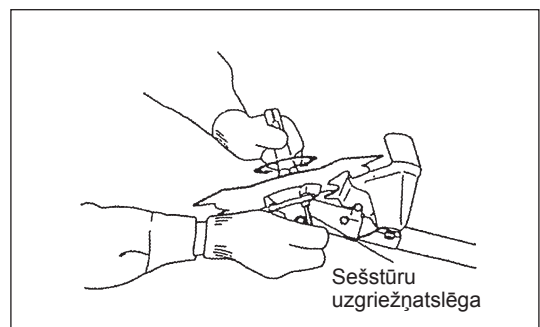
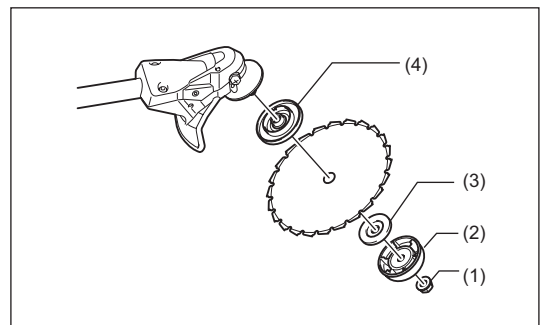
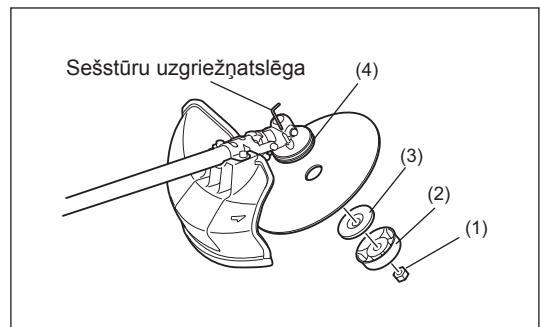
- Piestipriniet metāla asmeni pie vārpstas tā, lai uztverošās starplikas (4) virzītājs atrastos metāla asmens ass atverē. Piestipriniet piespiedējgredzenu (3), kausu (2) un pieskrūvējiet metāla asmeni ar uzgriezni (1).  
[Nostiprināšanas griezes moments: 20–30 Nm]

**PIEZĪME.** Rīkojoties ar metāla asmeni, vienmēr valkājiet cimdus.

**PIEZĪME.** Metāla asmeni nostiprinošais uzgrieznis (ar elastīgo paplāksni) var nolietoties. Ja elastīgā paplāksne izskatās nodilusi vai bojāta, nomainiet uzgriezni.

### Neilona griezējgalvas piestiprināšana

- Neilona griezējgalvas piestiprināšanai piespiedējgredzens (3), kaus (2) un uzgrieznis (1) nav vajadzīgs. Neilona griezējgalva jāpiestiprina uz uztverošās starplikas (4).
- Sešstūru uzgriežņatslēgu ievietojiet atverē pievada korpusā un pieskrūvējiet uztverošo starpliku (4), līdz uzgriežņatslēga to nofiksē.
- Pēc tam, griežot pretēji pulksteņrādītāja virzienam, neilona griezējgalvu pieskrūvējiet vārpstai.
- Izņemiet sešstūru uzgriežņatslēgu.





## PIRMS EKSPLOATĀCIJAS UZSĀKŠANAS

### Dzinēja eļļas pārbaude un uzpildīšana

- Pēc dzinēja atdzišanas veiciet tālāk minēto procedūru.
- Novietojiet dzinēju uz līdzenas, horizontālas virsmas un pārbaudiet, vai eļļas līmenis atrodas starp eļļas līmeņa indikatora apakšējo un augšējo robežu.
- Ja eļļas līmenis ir zem apakšējās robežas, noņemiet eļļas vāciņu un iepildiet eļļu.
- Laukums ap ārējām atzīmēm ir caurspīdīgs, tādēļ eļļas daudzumu iekšpusē var pārbaudīt, nenotņemot eļļas vāciņu. Tomēr, ja eļļas caurule kļūst ļoti netīra, redzamība pazūd, un eļļas līmenis jāpārbauda pēc iedalījuma posma eļļas caurules iekšpusē.
- Eļļu ir nepieciešams uzpildīt apmēram ik pēc 10 ekspluatācijas stundām (pēc katrām 10 tvertnes uzpildēm).  
Ja eļļa maina krāsu vai sajaucas ar netīrumiem, tās vietā ielejiet jaunu. (Uzpildes intervālus un metodi skatiet 131. lpp.)

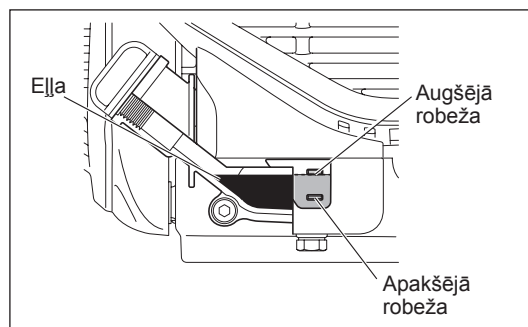
**Ieteicamā eļļa:** API klasifikācijas SAE 10W-30 eļļa – SF klase vai augstāka (4 taktu dzinēja eļļa automobiļiem)

**Eļļas daudzums:** apm. 0,10 l

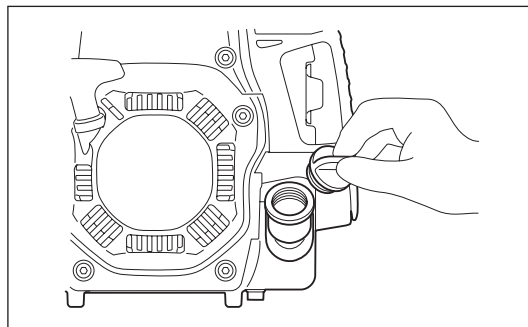
**PIEZĪME:** Ja dzinējs nav novietots uz horizontālas virsmas, kā attēlots, eļļas līmeņa norāde var būt neprecīza un eļļu var iepildīt par daudz. Ja eļļa ir uzpildīta vairāk par noteikto robežatzīmi, var radīt eļļas piesārņojumu un/vai baltus dūmus.

### Eļļas nomaņa: eļļas vāciņš

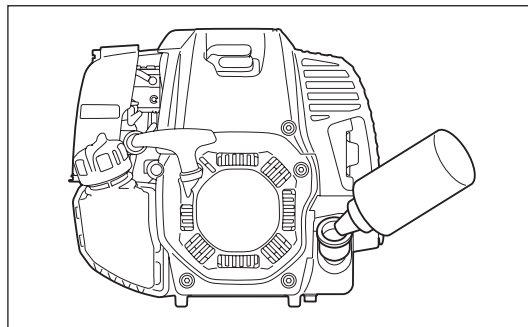
- Notīriet putekļus vai netīrumus apkārt eļļas uzpildīšanas atverei un izņemiet eļļas vāciņu.
- Neļaujiet izņemtajam eļļas vāciņam aplīpt ar smiltīm vai putekļiem. Pretējā gadījumā pie eļļas vāciņa pielipušās smiltis vai putekļi izraisīs nevienmērīgu eļļas cirkulāciju vai dzinēja detaļu nodilšanu, kas izraisīs problēmas.



- 1) Turiet dzinēju taisni un izņemiet eļļas vāciņu.



- 2) Piepildiet eļļu līdz augšējai robežatzīmei.  
Piepildot izmantojiet eļļas pudeli.



- 3) Eļļas vāciņu cieši pieskrūvējiet. Ja nepieskrūvēsiet to pietiekami cieši, var rasties eļļas noplūde.

### Piezīme

- Nemainiet eļļu, ja dzinējs ir slīpā stāvoklī.
- Ja uzpilda eļļu, kad dzinējs ir slīpā stāvoklī, eļļu uzpildīsiet par daudz, kas radīs eļļas piesārņojumu un/vai baltus dūmus.

### Pēc eļļas uzpildīšanas

- Ar lupatiņu nekavējoties notīriet izlijušu eļļu.

## UZPILDĪŠANA

### Rīkošanās ar degvielu

Rīkojieties ar degvielu ar vislielāko rūpību. Degvielās var būt šķīdinātājiem līdzīgas vielas. Uzpildiet degvielu labi vēdinātā telpā vai ārpus telpām. Neieelpojiet degvielas garaiņus un turiet degvielu atstatu no sevis. Ja āda atkārtoti vai ilgstoši saskaras ar degvielu, tā kļūst sausa, kas var izraisīt ādas slimību vai alerģiju. Ja degviela iekļūst acīs, izskalojiet acis ar tīru ūdeni. Ja acis joprojām ir kairinātas, dodieties pie ārsta.

### Degvielas glabāšanas ilgums

Degviela jāizlieto 4 nedēļu laikā pat tad, ja to uzglabā īpaši tai paredzētā tvertnē labi vēdinātā un tumšā vietā. Citādi degviela var sabojāties vienas dienas laikā.

### APARĀTA UN UZPILDĪŠANAS TVERTNES GLABĀŠANA

- Glabājiet aparātu un tvertni vēsā vietā, kur nav tiešas saules gaismas.
- Nekad neglabājiet degvielu automobilī.

### Degviela

Šis ir 4 taktu dzinējs. Izmantojiet bezsvina automobiļu benzīnu ar 87 vai augstāku oktānskaitli ((R+M)/2). Tajā nedrīkst būt vairāk kā 10 % spirta (E-10).

### Norādījumi par degvielu

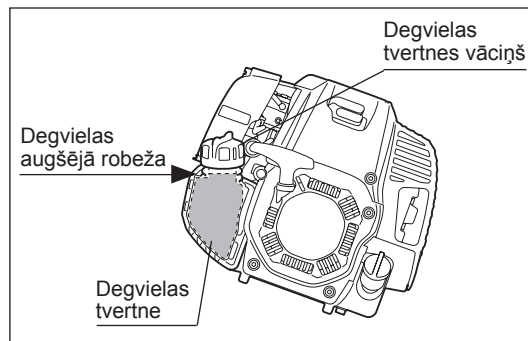
- Nekad neizmantojiet tādu benzīna maisījumu, kura sastāvā ir dzinēja eļļa. Pretējā gadījumā uzkrāsies pārāk daudz oglekļa vai radīsies mehāniski defekti.
- Ja izmantosit sabojājušos eļļu, ierīces iedarbināšana nebūs vienmērīga.

### Uzpildīšana

**BRĪDINĀJUMS:** Pirms uzpildīšanas apturiet dzinēju, uzturieties pietiekami tālu no atklātas liesmas un nesmēķējiet.

- Atskrūvējiet tvertnes vāciņu, lai samazinātu iekšējo spiedienu.
- Noskrūvējiet degvielas tvertnes vāciņu un uzpildiet degvielu, noliecot degvielas tvertni nedaudz slīpi, lai izspiestu gaisu, kā rezultātā uzpildīšanas atvere būs vērsta augšup. NEPILDĪET degvielu līdz tvertnes augšdaļai.
- Kārtīgi noslaukiet laukumu ap tvertnes vāciņu, lai neļautu netīrumiem iekļūt degvielas tvertnē.
- Pēc uzpildīšanas cieši pieskrūvējiet degvielas tvertnes vāciņu.

- Ja tvertnes vāciņš ir deformēts vai bojāts, nomainiet to.
- Tvertnes vāciņš laika gaitā nodilst. Nomainiet to ik pēc diviem vai trīs gadiem.
- NEPILDĪET degvielu eļļas pildīšanas atverē.



## APARĀTA PAREIZA IZMANTOŠANA

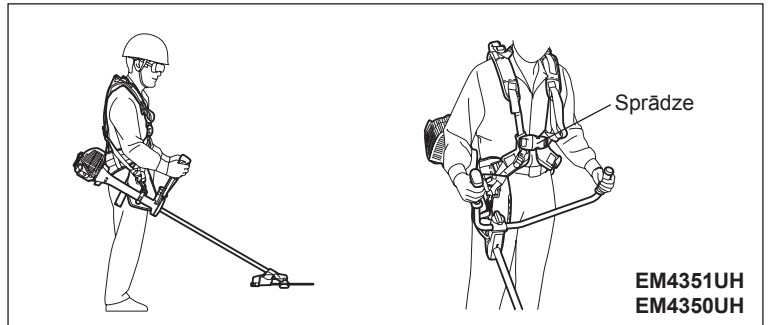
### Plecu siksnu piestiprināšana

- Pleca siksnas garumu noregulējiet tā, lai metāla asmens atrodas paralēli zemei.

#### Modeļiem EM4351UH, EM4350UH

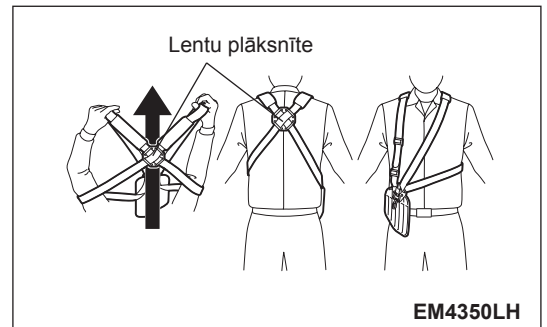
Siksnām atrodies uz muguras, piestipriniet tās ar sprādzi un noregulējiet lentu garumu.

PIEZĪME: Uzmanieties, lai sprādzē neieķertos apģērbs u. c.



#### Modelim EM4350LH

- 1) Stāvēt kājās, lentu plāksnīti novietojiet sev aizmugurē. Virziet rokas un galvu cauri lentēm.
- 2) Ja siksnas ir novietotas pareizi, lentu plāksnītei jāatrodas uz muguras, regulētājiem un āķim jāatrodas ķermeņa labajā pusē.



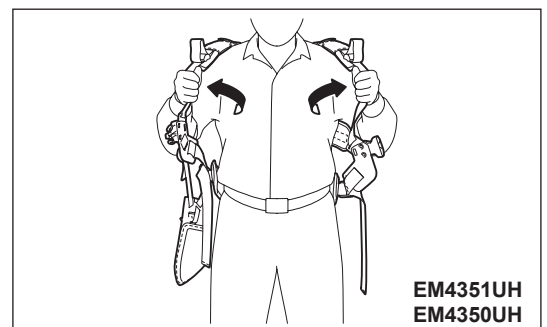
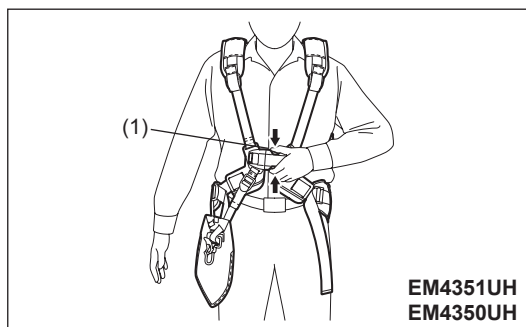
### Aparāta atbrīvošana

#### Modeļiem EM4351UH, EM4350UH

- Lai atbrīvotu aparātu, saspiediet sprādzes (1) malas un noņemiet plecu siksnas.

Šādā situācijā esiet īpaši uzmanīgi, lai saglabātu aparāta kontroli. Neļaujiet aparātam mainīt virzienu uz jūsu pusi vai pret citām personām darba vietas tuvumā.

BRĪDINĀJUMS: Ja nesaglabāsiet aparāta pilnīgu kontroli, tas var izraisīt nopietnus savainojumus vai NĀVI.

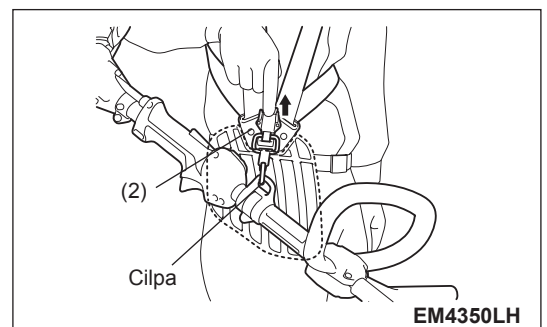


#### Modelim EM4350LH

- Lai atbrīvotu aparātu, ar pirkstiem spēcīgi pavelciet ārkārtas atvienošanas sviru (2).

Šādā situācijā esiet īpaši uzmanīgi, lai saglabātu aparāta kontroli. Neļaujiet aparātam mainīt virzienu uz jūsu pusi vai pret citām personām darba vietas tuvumā.

BRĪDINĀJUMS: Ja nesaglabāsiet aparāta pilnīgu kontroli, tas var izraisīt nopietnus savainojumus vai NĀVI.



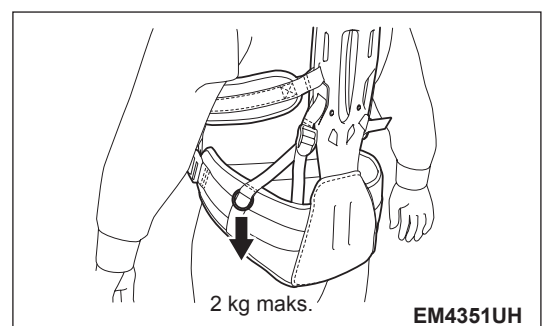
### Gredzens pakabināšanai

#### Modelim EM4351UH

- Jūs varat izmantot gredzenu, lai pakabinātu priekšmetu, kas sver mazāk par 2 kg (4,4 mārc.).

PIEZĪME: Pie gredzena nekabiniet priekšmetus, kas sver vairāk par 2 kg (4,4 mārc.). Pie gredzena kabinot smagāku priekšmetu, tas var nokrist, un priekšmetu var sabojāt.

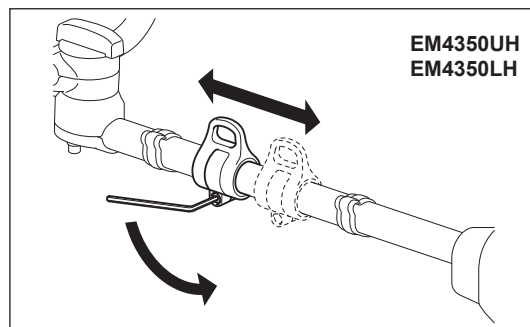
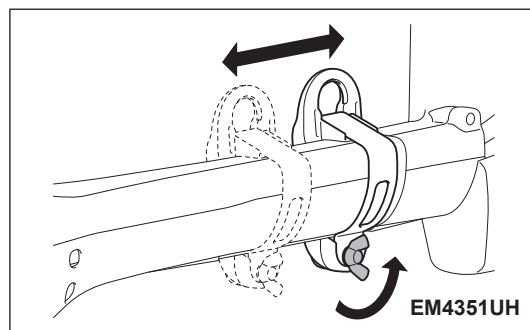
UZMANĪBU: Pie gredzena nekabiniet priekšmetus, kas var ieķerties krūmos vai brikšņos. Ieķeršanās gadījumā var zaudēt kontroli un radīt nopietnus ievainojumus.



### Svara līdzsvara regulēšana

Aparāta svara līdzsvaru var regulēt, pārvietojot cilpas atrašanās vietu uz priekšu vai atpakaļ.

Noregulējiet griezējinstrumenta augstumu pareizai darbībai.

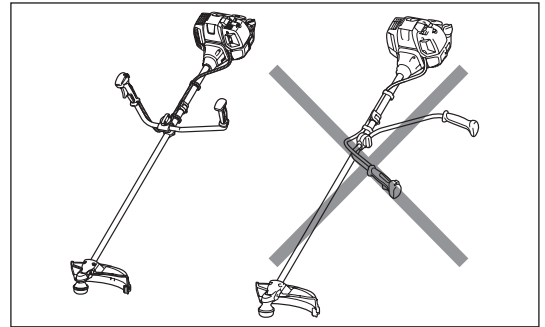


## NORADĪJUMI PAR EKSPLUATĀCIJU UN APTURĒŠANA

Ievērojiet spēkā esošos negadījumu novēršanas noteikumus!



Pirms dzinēja iedarbināšanas vienmēr novietojiet rokturi pareizā stāvoklī. Citādi griezējinstrumenta var nejauši pagriezties un radīt ievainojumus, jo var pavilkēt vai saliekt droseles trosi un atvērt droseļi.

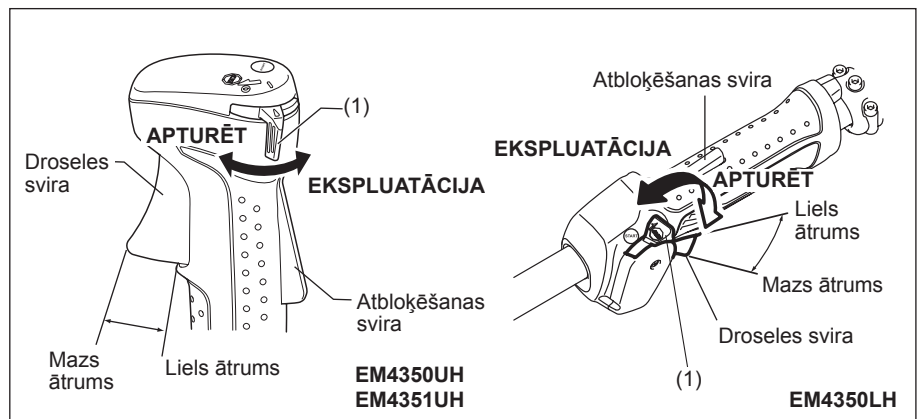


### IEDARBINĀŠANA

Pirms iedarbināšanas pārejiet vismaz 3 metrus prom no uzpildīšanas vietas. Novietojiet ierīci uz zemes tīrā vietā, uzmanoties, lai griezējinstrumenta nesaskaras ar zemi vai citiem priekšmetiem.

#### A: auksta dzinēja iedarbināšana

- 1) Novietojiet aparātu uz līdzenas virsmas.
- 2) I-O slēdzi (1) novietojiet stāvoklī „EKSPLUATĀCIJA”.

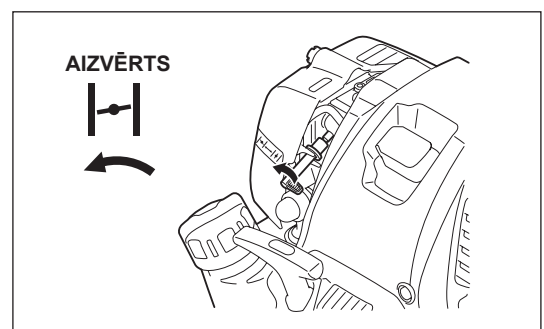


- 3) Jaudas svira

Aizveriet jaudas sviru.

Jaudas sviras atvērums:

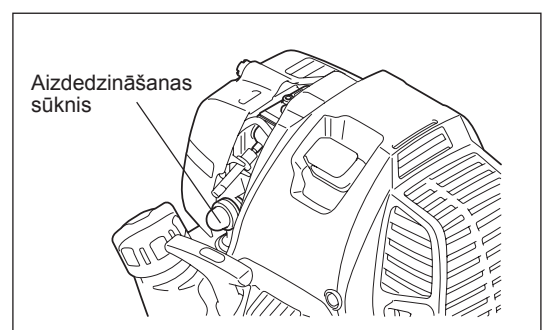
- Pilnībā aizvērts aukstā laikā vai, ja dzinējs ir auksts.
- Pilnībā vai daļēji atvērts, ja dzinējs ir nedaudz iesilis, piemēram, atkārtoti iedarbinot dzinēju uzreiz pēc apturēšanas uzsildīšanas darbības laikā.



- 4) Aizdedzināšanas sūknis

Turpiniet spiest aizdedzināšanas sūkni, kamēr tajā nokļūst degviela. (Parasti 7–10 reizes.)

Ja aizdedzināšanas sūkni nospiedīsiet par daudz, liekais benzīna daudzums atgriezīsies degvielas tvertnē.



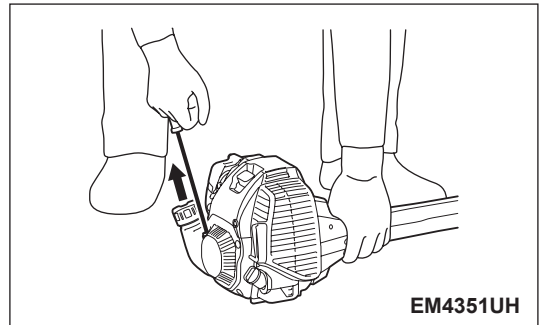
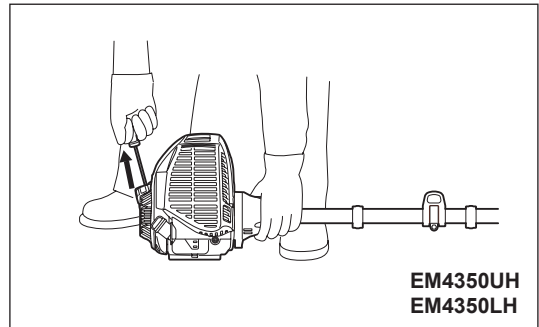
5) Rokas starteris

Pārbaudiet, vai stāvat uz stingra atbalsta. Turiet iekārtu ar kreiso roku un cieši to piespiediet.

**UZMANĪBU:** Nestāviet ar kājām vai ceļiem uz droses tross. Iekšējo trosi var pavilkt, un griezējinstrumentu var negaidīti sākt griezties. Neatveriet droseli.

Viegli pavelciet iedarbināšanas kloķi, kamēr ir jūtama neliela pretestība. Pēc tam atlaidiet iedarbināšanas kloķi un to spēcīgi pavelciet.

Nekad neizvelciet trosi pilnībā. Pēc iedarbināšanas kloķa paraušanas uzreiz neatlaidiet savu roku. Turiet iedarbināšanas kloķi tik ilgi, kamēr tas atgriežas sākotnējā stāvoklī.



6) Jaudas svira

Kad dzinējs sāk darboties, iestatiet jaudas sviru stāvoklī **ATVĒRTS**.

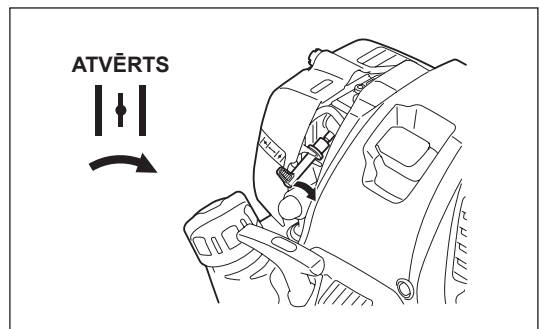
- Pakāpeniski atveriet jaudas sviru, vērojot dzinēja darbību. Beigās jaudas sviru atveriet līdz galam.
- Aukstā laikā vai, ja dzinējs ir auksts, nekad neatveriet jaudas sviru pēkšņi. Pretējā gadījumā dzinējs var pārstāt darboties.

7) Uzsildīšanas darbība

Turpiniet veikt uzsildīšanas darbību 2–3 minūtes.

**PIEZĪME: Nevajadzīgi nespiediet droses sviru, kad dzinējs nedarbojas.** Tas var izraisīt degvielas noplūdi no gaisa attīrītāja.

Ja tā notiek, noslaukiet izplūdušo degvielu. Atveriet arī gaisa attīrītāja vāku un notīriet elementu un gaisa attīrītāja plāksni.



**PIEZĪME.**

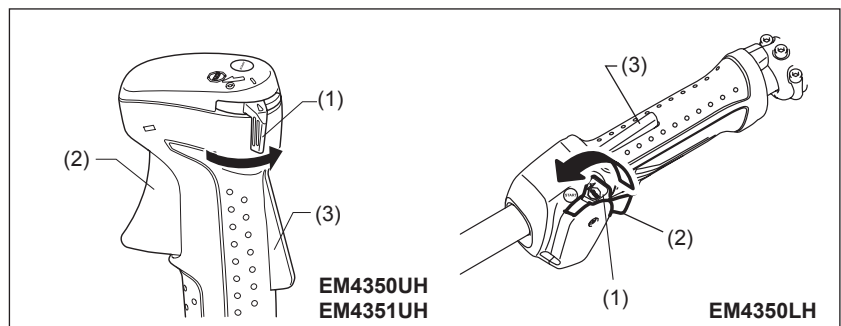
- Nevajadzīgi nespiediet droses sviru, kad dzinējs nedarbojas. Tas var izraisīt dzinēja pārpludināšanu ar degvielu, un dzinēju var būt grūti iedarbināt.
- Ja degviela ir pārpludināta, izņemiet aizdedzes sveci un lēnām pavelciet iedarbināšanas rokturi, lai aiztecinātu lieko degvielas daudzumu. Kā arī nožāvējiet aizdedzes sveces elektroda posmu.
- Ja dzinējs iedarbojas un apstājas, vai apstājas uzreiz pēc iedarbināšanas, vēlreiz novietojiet jaudas sviru stāvoklī **ATVĒRTS** un vairākas reizes pavelciet iedarbināšanas kloķi vēlreiz, lai iedarbinātu dzinēju.
- Ja jaudas svira ir atstāta stāvoklī **AIZVĒRTS**, un atkārtoti tiks pavilkts tikai iedarbināšanas kloķis, iepildīs pārāk daudz degvielas un dzinēju būs grūti iedarbināt.
- Neveiciet dzinēja uzsildīšanas darbību nevajadzīgi.

**B: Silta dzinēja iedarbināšana**

- 1) Pilnībā atveriet jaudas sviru.
- 2) Vairākas reizes nospiediet aizdedzināšanas sūkni.
- 3) Atstājiet droses sviru tukšgaitas stāvoklī.
- 4) Spēcīgi pavelciet rokas starteri.
- 5) Ja dzinēju ir grūti iedarbināt, atlaidiet atbloķēšanas sviru (3), pavelciet droses sviru (2) un novietojiet I-O slēdzi (1) droses aizslēga stāvoklī. Turot I-O slēdzi (1), atlaidiet droses sviru (2) un atbloķēšanas sviru (3). Pavelciet iedarbināšanas kloķi.

**BRĪDINĀJUMS:** Ņemiet vērā, ka griezējinstrumentu uzreiz sāk griezties.

- 6) Kad dzinējs sāk darboties, atlaidiet atbloķēšanas sviru (3) un pavelciet droses sviru (2), pēc tam tās atlaidiet, lai dzinējs darbotos tukšgaitā.



## APTURĒŠANA

- 1) Pilnībā atlaidiet droseles sviru (2), un pēc dzinēja apgriezienu samazināšanās, I-O slēdzi (1) novietojiet stāvoklī STOP - dzinējs apstāsies.
- 2) Griezējinstrumentu pēc dzinēja apturēšanas turpina kādu laiku griezties. Pagaidiet, kamēr tas pilnībā apstājas.

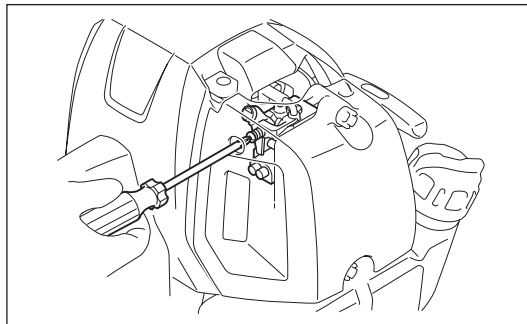


## TUKŠGAITAS ĀTRUMA REGULĒŠANA

Ja nepieciešams regulēt tukšgaitas ātrumu, veiciet to ar karburatora regulēšanas skrūvi.

### TUKŠGAITAS ĀTRUMA PĀRBAUDE

- Iestatiet tukšgaitas ātrumu uz 3 000 min<sup>-1</sup>.  
Ja nepieciešams regulēt tukšgaitas ātrumu, ar krustveida skrūvgriezi pagrieziet skrūvi, kas attēlota pa labi.
- Lai palielinātu tukšgaitas ātrumu, pagrieziet regulēšanas skrūvi pulksteņrādītāja virzienā.  
Lai samazinātu tukšgaitas ātrumu, pagrieziet regulēšanas skrūvi pretēji pulksteņrādītāja virzienam.
- Karburators ir noregulēts rūpnīcā. Tomēr pēc vairākām lietošanas reizēm tukšgaitas ātrums ir jānoregulē vēlreiz.

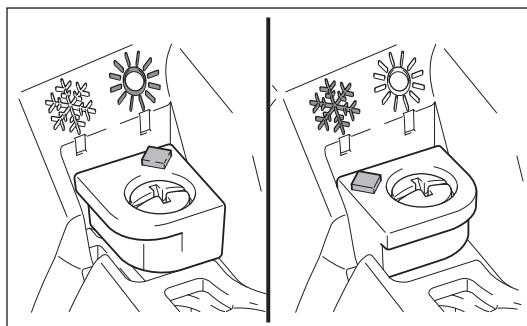
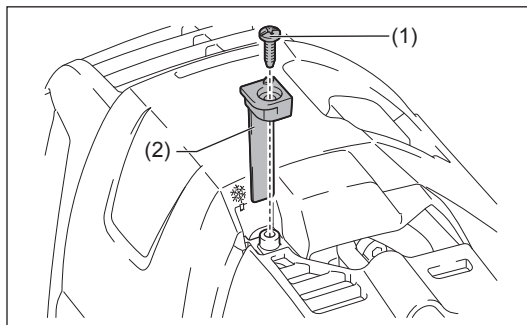


## KARBURATORA APLEDOJUMA NOVĒRŠANA

**UZMANĪBU:** Kad apkārtējās vides temperatūra ir augstāka par 10°C, vienmēr novietojiet noslēgu atpakaļ normālā stāvoklī (saules simbols). Citādi dzinēju var sabojāt pārkaršanas rezultātā.

Kad apkārtējās vides temperatūra ir zema un mitruma līmenis ir augsts, karburatora iekšpusē var sasalt ūdens tvaiks, un dzinējs sāk darboties nevienmērīgi (karburatora apledojums). Ja nepieciešams, nomainiet noslēga stāvokli, kā norādīts.

1. Atskrūvējiet skrūvi (1).
2. Nomainiet noslēga (2) virzienu šādi:
  - apkārtējās vides temperatūra ir augstāka par 10°C – novietojiet noslēgu normālā stāvoklī (saules simbols).
  - apkārtējās vides temperatūra ir 10°C vai zemāka – novietojiet noslēgu stāvoklī aizsardzībai pret apledojumu (sniegpārslas simbols).
3. Pieskrūvējiet skrūvi.

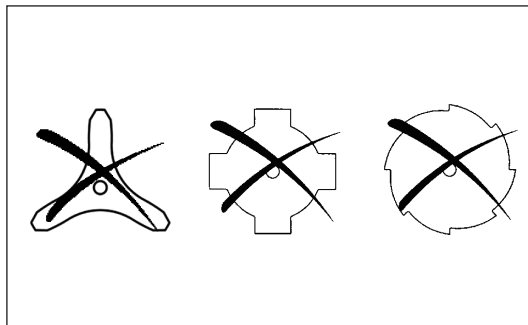


## GRIEZĒJINSTRUMENTA ASINĀŠANA



**UZMANĪBU:** Attēlā redzamos griezējinstrumentus nedrīkst asināt. Asinot ar roku, griezējinstrumentu uzasina nevienmērīgi, kas rada vibrācijas un bojā aprīkojumu.

**PIEZĪME:** Lai palielinātu griezējasmens kalpošanas laiku, griezējasmeni var vienreiz apgriezt otrādi, lai abas griezējšķautnes kļūst neasas.



### NEILONA GRIEZĒJGALVA

Neilona griezējgalva ir dubultas auklas zāles trimera galva ar uzsišanas mehānismu.

Neilona griezējgalva automātiski pagarinās neilona auklu vajadzīgajā garumā pēc neilona griezējgalvas uzsišanas pa zemi, ko izraisīs centrālās spēka izmaiņas, palielinoties vai samazinoties apgriezieniem.

#### Ekspluatācija

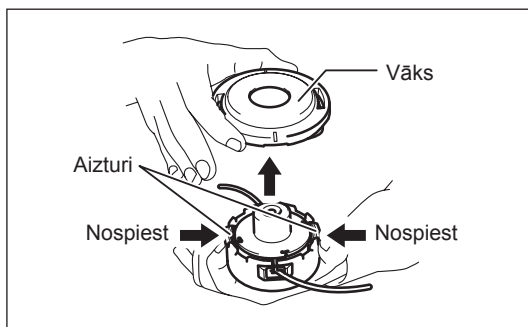
- Palieliniet neilona griezējgalvas ātrumu apmēram līdz 6 000 min<sup>-1</sup>. Viegli uzsitiet neilona griezējgalvu pret zemi.
- Visefektīvākā griešanas zona ir attēlota ar iekrāsoto joslu.
- Ja neilona aukla nepagarinās, attīniet/nomainiet neilona auklu, ievērojot tālāk, sadaļā „Neilona auklas nomaiņa” norādītās procedūras.



### Neilona auklas nomaiņa (UZIŠĀNAS MEHĀNISMS)

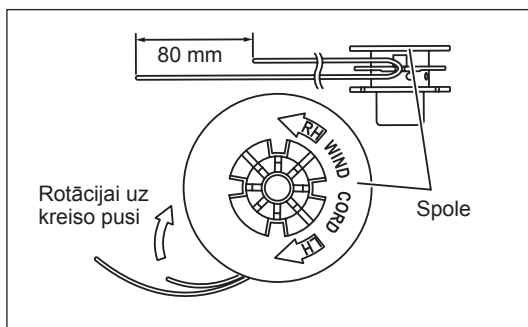
**BRĪDINĀJUMS:** Pārbaudiet, vai neilona griezējgalvas aizsargs ir pareizi piestiprināts korpusam, kā aprakstīts turpmāk. Ja aizsargs nav pareizi piestiprināts, neilona griezējgalva var izjukt, radot nopietnus ievainojumus.

Iespiediet uz iekšu korpusa aizturus un paceliet uz augšu, lai noņemtu aizsargu. Izņemiet atlikušo neilona auklu.

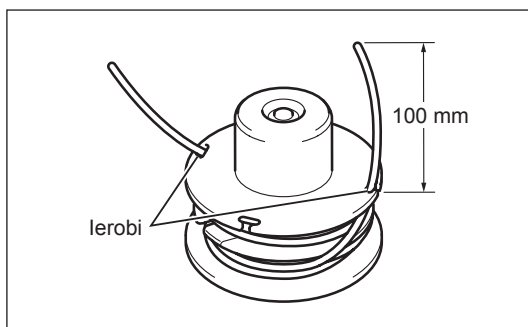


Aizākējiet neilona auklas vidu aiz ieroba, kas atrodas spoles centrā starp 2 kanāliem, kas paredzēti neilona auklai. Vienam auklas galam jābūt par apmēram 80 mm garākam nekā otram galam.

Abus galus cieši aptiniet ap spoli virzienā, kas uz galvas atzīmēts kā kreisās puses virziens ar norādi „LH”.

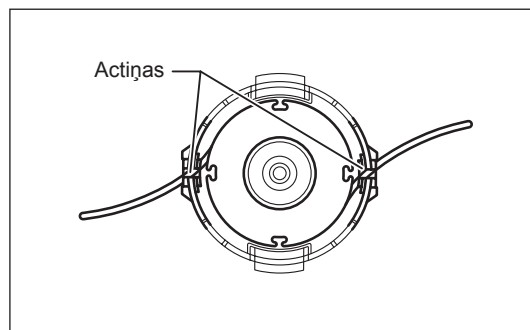


Auklu iztiniet apmēram 100 mm, galus pagaidām aizākējot aiz ierobiem spoles sānos.

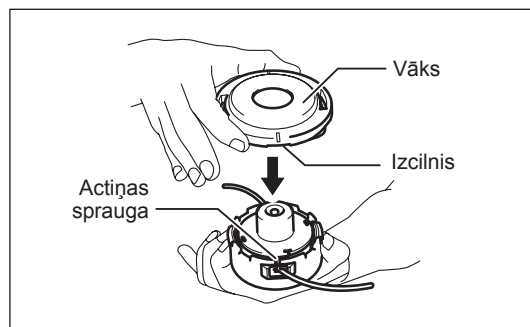




Piestipriniet spoli korpusam tā, lai spoles rievas un izciļņi atbilst tādiem pašiem korpusā. Spoles sānus ar burtiem novietojiet tā, lai tie ir redzami augšpusē. Pēc tam atāķējiet auklas galus no to pagaidu stāvokļa un auklas caur actiņām izvelciet no korpusa.

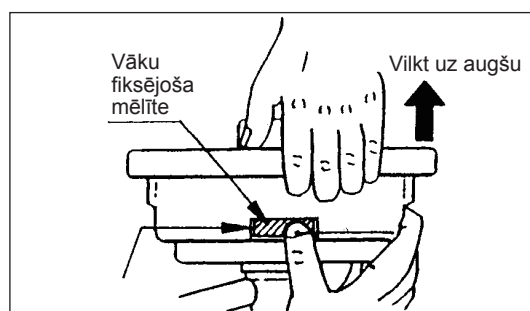


Novietojiet vāka apakšdaļas izciļņus pret actiņu spraugām. Pēc tam cieši piespiediet vāku, lai to nostiprinātu. Pārbaudiet, vai aizturi pilnībā ievirzās aizsargā.

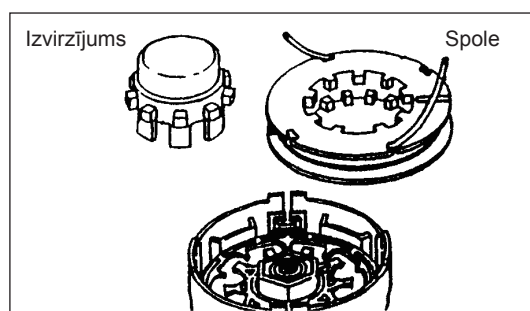


### Neilona auklas nomaīņa (ULTRA AUTO)

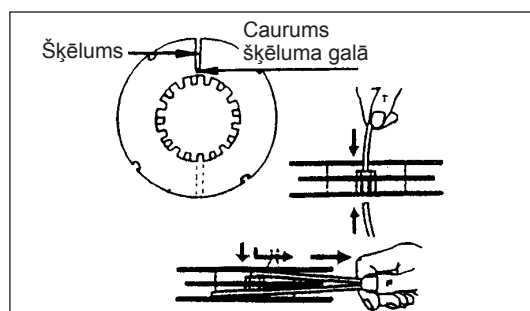
1. Noņemiet korpusa vāku, nospiežot divas vāku fiksējošas mēlītes, kas uz korpusa atrodas viena otrai pretī.



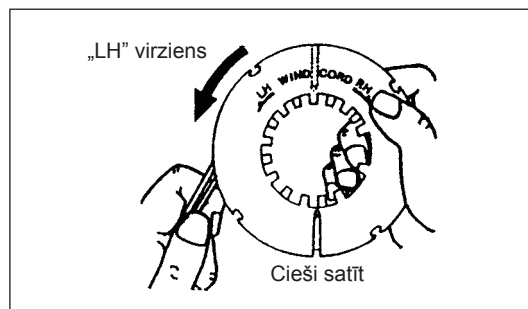
2. No korpusa noņemiet izvirzījumu un spoli.



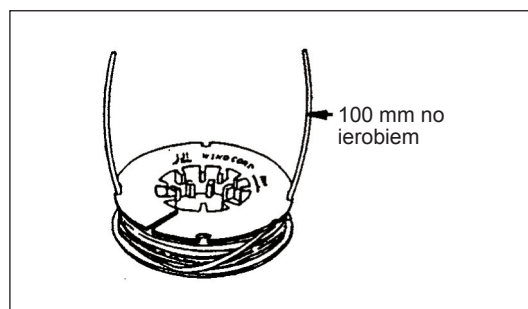
3. Ievietojiet abus auklas galus katru savā caurumā šķēluma galā, kas atrodas uz viena no spoles ārējiem atlokiem. Ievietojiet auklu galus spoles rievās, kas atrodas abos šķēlumos uz atlokiem.



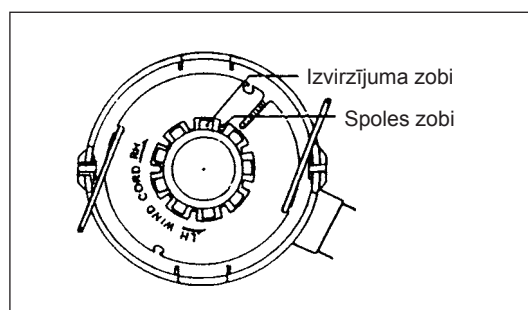
4. Auklas galus cieši satiniet virzienā, kas uz spoles atloka norādīts ar bultu uz kreiso pusi („LH”). Nekrustojiet auklas galus.



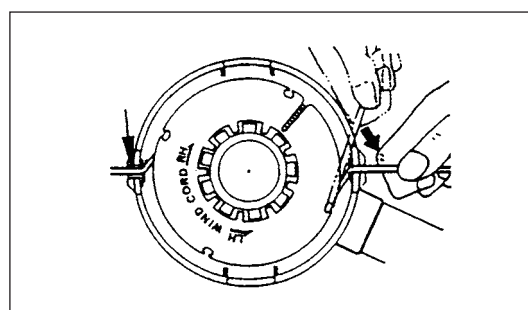
5. Auklu iztīniet apmēram 100 mm (3-15/16”), galus pagaidām aizākējot aiz ierobiem spoles sānos.



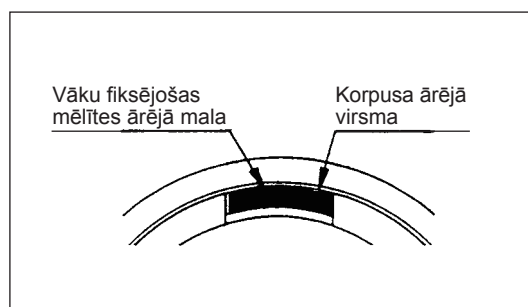
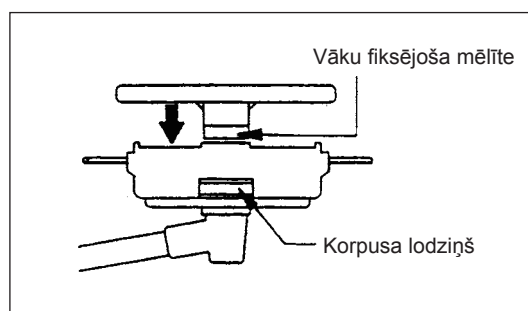
6. Ievietojiet izvirzījumu korpusa ligzdā tādā veidā, lai tas var brīvi virzīties augšu un lejup atbilstīgi atsperes spriegumam. Ievietojiet spoli korpusā, saderīgi savietojot spoles un izvirzījuma zobus kā zobraatiem.



7. Ievietojiet auklas galus actiņu šķēlumos.



8. Uzlieciet vāku uz korpusa, saderīgi savietojot vāka mēlītes un korpusa lodziņus. Pārbaudiet, vai vāks ir piestiprināts tieši pie korpusa. Vāku fiksējošās mēlītes ārējai malai un korpusa ārējai virsmai jāatrodas vienā perimetrā.



## APKOPES NORĀDĪJUMI

UZMANĪBU: Pirms veikt jebkādu darbu aprīkojumam, vienmēr izslēdziet dzinēju un no aizdedzes sveces noņemiet aizdedzes sveces vāciņu (sk. „Aizdedzes sveces pārbaude”).  
Vienmēr valkājiet aizsargcimdus!

Lai kalpošanas laiks būtu ilgs un lai nesabojātu aparātu, regulāri jāveic turpmāk minētās tehniskās apkopes darbības.

### Ikdienas pārbaude un tehniskā apkope

- Pirms ekspluatācijas pārbaudiet, vai aparātam nav vaļīgu skrūvju un vai netrūkst kādas daļas. Īpaši pārbaudiet metāla asmens vai neilona griezējgalvas ciešumu.
- Pirms ekspluatācijas vienmēr pārbaudiet, vai nav aizsprostoti dzesēšanas gaisa plūsmas ceļi un cilindra ribas. Ja nepieciešams, iztīriet šīs detaļas.
- Katru dienu pēc darbarīka lietošanas veiciet šādas darbības:
  - Notīriet aprīkojuma ārpusi un pārbaudiet, vai nav bojājumu.
  - Iztīriet gaisa filtru. Ja strādājat sevišķi putekļainos apstākļos, filtru tīriet vairākas reizes dienā.
  - Pārbaudiet, vai asmenim vai neilona griezējgalvai nav bojājumu un pārbaudiet, vai tā ir cieši piestiprināta.
  - Pārbaudiet vai starp tukšgaitas ātrumu un iedarbināšanas ātrumu pastāv ievērojama atšķirība, lai nodrošinātu, ka griezējinstrumenti ir nekustīgi dzinēja tukšgaitas ātrumā (ja nepieciešams, samaziniet tukšgaitas ātrumu).  
Ja tukšgaitas ātrumā aparāts joprojām darbojas, sazinieties ar tuvāko pilnvaroto servisa pārstāvi.
- Pārbaudiet I-O slēdža, atbloķēšanas sviras, droseles sviras un nobloķēšanas pogas darbību.

### DZINĒJA EĻĻAS NOMAĪŅA

Sabojājusies dzinēja eļļa samazinās kalpošanas laiku. Regulāri pārbaudiet eļļas līmeni.



BRĪDINĀJUMS: Uzreiz pēc dzinēja apturēšanas dzinējs un dzinēja eļļa ir karsta. Ļaujiet dzinējam un dzinēja eļļai pietiekamu laiku atdzist. Citādi var apdedzināt ādu.

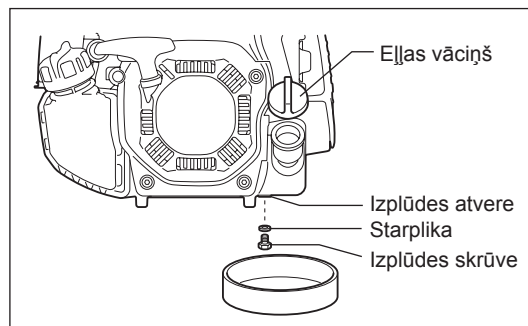
**PIEZĪME:** Ja eļļa ir uzpildīta vairāk par noteikto robežatzīmi, tā var piesārņoties vai saskarties ar dzirkstelēm. Pēc dzinēja apturēšanas ļaujiet dzinēja eļļai atgriezties eļļas tvertnē, lai eļļas līmeņa rādījumu nolasišana būtu precīza.

**Nomainas intervāls:** Pēc pirmajām 20 ekspluatācijas stundām, pēc tam ik pēc 50 ekspluatācijas stundām.

**Ieteicamā eļļa:** API klasifikācijas SAE 10W-30 eļļa – SF klase vai augstāka (4 taktu dzinēja eļļa automobiļiem)

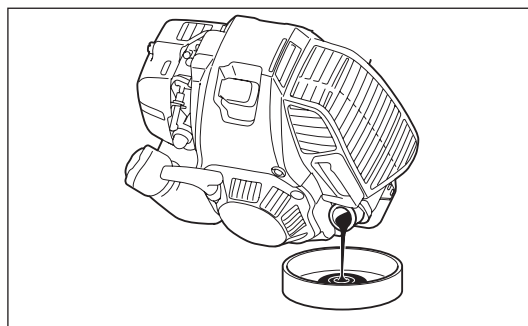
Nomainot eļļu, veiciet šādu procedūru.

- 1) Pārbaudiet, vai degvielas tvertnes vāciņš ir cieši piestiprināts.
- 2) Zem izplūdes atveres novietojiet lielu trauku (katlu vai citu).
- 3) Izskrūvējiet izplūdes skrūvi un izņemiet eļļas vāciņu, lai no izplūdes atveres iztecinātu eļļu.  
Šajā posmā uzmanieties, lai nepazaudētu skrūves starpliku un nenosmērētu izņemtās sastāvdaļas.
- 4) Pēc eļļas iztecināšanas ievietojiet atpakaļ starpliku un izplūdes skrūvi un cieši pieskrūvējiet izplūdes skrūvi, lai tā neatskrūvētos un neizraisītu noplūdi.  
[Nostiprināšanas griezes moments: 5 Nm]  
\* Izmantojiet lupatiņu, lai pilnībā noslaucītu uz skrūves un ierīces nonākušo eļļu.



#### Alternatīva iztecināšanas metode

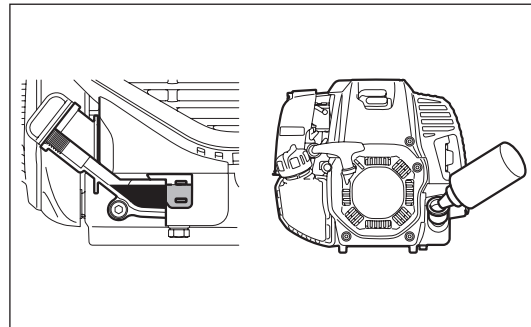
Izņemiet eļļas vāciņu, nolieciet instrumentu pret eļļas ielietnes atveri un izlejiet eļļu.  
Izteciet eļļu tvertnē.



- 5) Turot dzinēju taisni, pakāpeniski piepildiet jaunu eļļu līdz augšējai robežatzīmei.
- 6) Pēc piepildīšanas cieši piestipriniet eļļas vāciņu, lai tas neatskrūvētos un neizraisītu noplūdi.  
Ja eļļas vāciņš nav cieši pieskrūvēts, no tā var būt noplūde.

### NORĀDĪJUMI ATTIECĪBĀ UZ EĻĻU

- Nekad neizlejiet izlietotu dzinēja eļļu atkritumos, zemē vai notekūdeņu grāvī. Atbrīvošanās no eļļas regulē tiesību akti. Atbrīvojoties no tās, vienmēr ievērojiet attiecīgos normatīvos aktus. Ja jums rodas neskaidrības, sazinieties ar pilnvarotu servisa pārstāvi.
- Eļļa sabojājas pat tad, ja to neizmanto. Regulāri pārbaudiet eļļu un nomainiet to (nomainiet ar jaunu eļļu ik pēc 6 mēnešiem).



### GAISA ATTĪRĪTĀJA TĪRĪŠANA



**BRĪDINĀJUMS:** Apturiet dzinēju, uzturieties pietiekami tālu no atklātas liesmas un nesmēķējiet.

**Tīrīšanas un pārbaudes intervāls:** katru dienu (ik pēc 10 ekspluatācijas stundām)

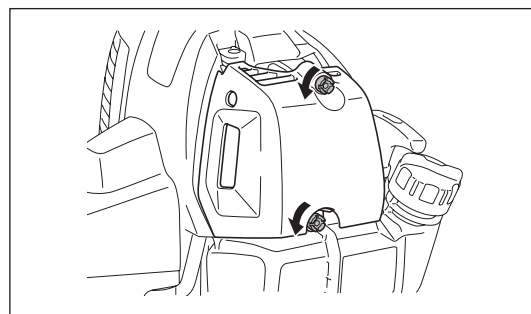
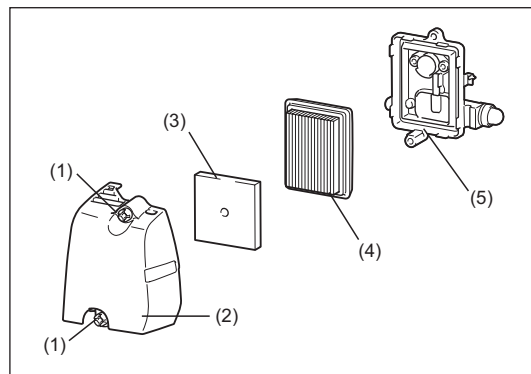
- Pilnībā aizveriet jaudas sviru, to pagriežot, un nenotraipiet karburatoru ar putekļiem vai netīrumiem.

#### Gaisa attīrītāja vāka noņemšana

- Atskrūvējiet divas stiprinājuma skrūves (1).
- Nospiediet un noņemiet gaisa attīrītāja vāku (2).

#### Tīrīšanas elementi

- Izņemiet elementus (3, 4) un uzsitiet pa tiem, lai noņemtu netīrumus.
- Ja sūklis ir ļoti netīrs:
  - 1) Noņemiet elementu (sūkli) (3), izmērcējiet to siltā ūdenī vai ūdenī šķīstošā neitrālā mazgāšanas līdzeklī, tad to pilnībā izžāvējiet. Mazgāšanas laikā to nespiediet un neberziet.
  - 2) Notīriet elementu (papīru) (4), viegli uzsitot pa to. Ja pieejama gaisa pistole, ar saspiesto gaisu izpūstiet elementa (papīra) vienu pusi. Nemazgājiet elementu (papīru).
- Pirms elementa (sūkļa) pievienošanas atpakaļ pārbaudiet, vai tas ir pilnībā izžūvis. Ja elementu (sūkli) pilnībā neizžāvēsiet, dzinēju būs grūti iedarbināt.
- Ar lupatiņu notīriet eļļu visapkārt gaisa attīrītāja vākam un atdalītāja plāksnei (5).

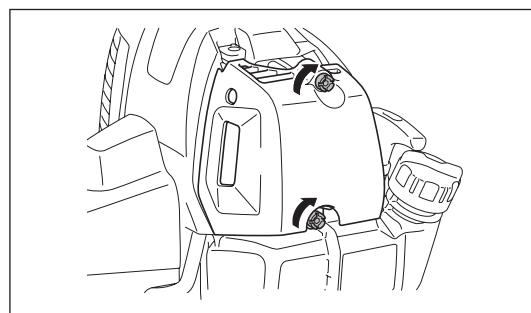
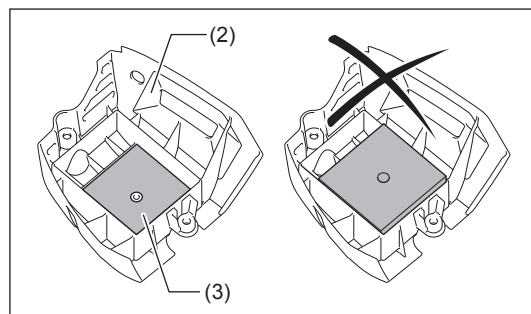


#### Gaisa attīrītāja vāka piestiprināšana

- Ievietojiet elementu (sūkli) un elementu (papīru). Pilnībā ievietojiet elementu (sūkli) gaisa attīrītāja vākā.
- Pieskrūvējiet gaisa attīrītāja vāku ar divām stiprinājuma skrūvēm.

### PIEZĪME:

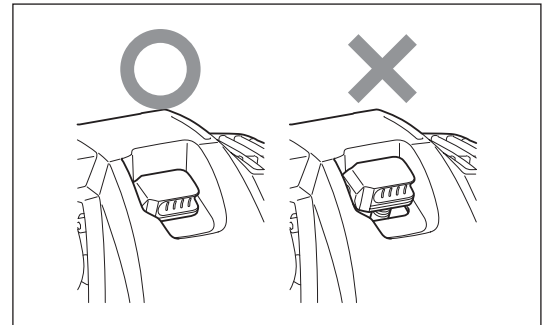
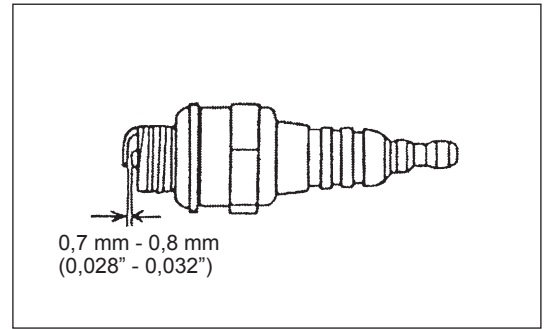
- Tīriet elementus vairākas reizes dienā, ja uz tiem atrodas pārāk daudz putekļu. Netīri elementi samazina dzinēja jaudu un apgrūtina dzinēja iedarbināšanu.
- Iztīriet eļļu no elementiem. Ja turpināsiet ierīci lietot, neizfrot eļļu no elementiem, tad eļļa, kas atrodas gaisa attīrītājā, var iztect ārā, piesārņojot apkārtējo vidi.
- Nenovietojiet elementus uz zemes vai netīrā vietā. Citādi tiem var pieķerties netīrumi vai putekļi, un tas var sabojāt dzinēju.
- Elementu tīrīšanai nekad neizmantojiet degvielu. Degviela tos var sabojāt.



## AIZDEDZES SVECES PĀRBAUDE

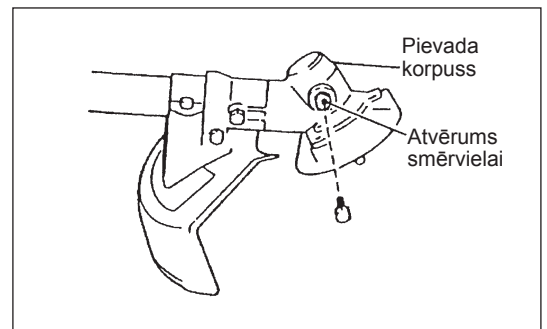
- Izmantojiet komplektācijā atrodamo universālo uzgriežatslēgu, lai noņemtu vai ieliktu aizdedzes sveci.
  - Attālumam starp diviem aizdedzes sveces elektrodiem jābūt 0,7–0,8 mm (0,028–0,032"). Ja attālums ir pārāk liels vai pārāk mazs, noregulējiet to. Ja aizdedzes svece ir aizsērējusi vai piesārņota, pilnībā to iztīriet vai nomainiet pret jaunu.
- Pēc pārbaudes aizdedzes sveces vāciņu atlieciet atpakaļ pareizi savā vietā.

**UZMANĪBU:** Nekad nepieskarieties aizdedzes sveces savienotājam, kamēr dzinējs darbojas (augstsprieguma elektriskās strāvas trieciena bīstamība).



## SMĒRVIELAS IEVADĪŠANA PIEVADA KORPUSĀ

- Ik pēc 30 stundām caur atvērumu smērvielai ievadiet smērvielu (Shell Alvania 2 vai ekvivalentu) pievada korpusā. (No MAKITA izplatītāja var nopirkt oriģinālo MAKITA smērvielu.)



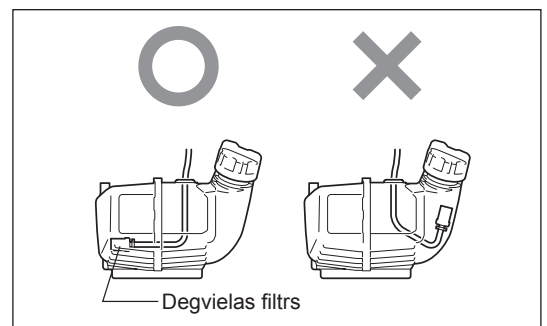
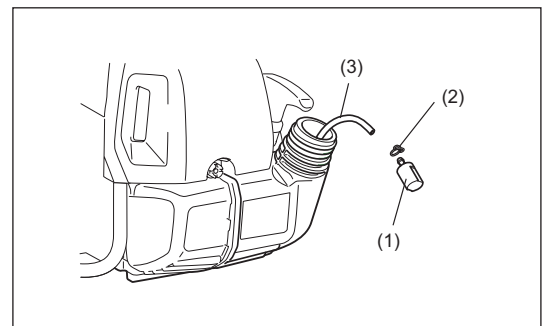
## DEGVIELAS FILTRA TĪRĪŠANA

### BRĪDINĀJUMS: VIEGLI UZLIESMOJOŠI PRIEKŠMETI STINGRI AIZLIEGTI

Tīrīšanas un pārbaudes intervāls: katru mēnesi (ik pēc 50 ekspluatācijas stundām)

### Iesūkšanas galva degvielas tvertnē

- Iesūkšanas galvas degvielas filtrs (1) paredzēts karburatorā ievadītās degvielas filtrēšanai.
- Degvielas filtrs regulāri vizuāli jāpārbauda. Noņemiet tvertnes vāciņu, un, izmantojot stieples cilpu, izvelciet iesūkšanas galvu no tvertnes atvēruma. Ja filtrs ir sacietējis vai aizsērējis, nomainiet to.
- Nomainiet degvielas filtru vismaz reizi ceturksnī, lai nodrošinātu pietiekamu degvielas padevi karburatoram. Citādāk nepietiekama degvielas padeve izraisīs dzinēja iedarbināšanas kļūmi un ierobežotu maksimālo ātrumu.
- Pēc degvielas filtra pārbaudes, tīrīšanas vai nomainīšanas, ar šļūtenes skavu (2) piestipriniet to pie degvielas caurules (3). Pilnībā iestumiet degvielas filtru līdz degvielas tvertnes apakšai.



## DEGVIELAS CAURULES NOMAIŅA

### UZMANĪBU: VIEGLI UZLIESMOJOŠI PRIEKŠMETI STINGRI AIZLIEGTI

Tīrīšanas un pārbaudes intervāls: katru dienu (ik pēc 10 ekspluatācijas stundām)

Nomaiņa: katru gadu (ik pēc 200 ekspluatācijas stundām)

Degvielas cauruli nomainiet katru gadu neatkarīgi no ekspluatācijas biežuma.

Degvielas noplūde var izraisīt ugunsgrēku.

Ja pārbaudes laikā atklājat noplūdi, degvielas cauruli nekavējoties nomainiet.

## BULTSKRŪVJU, UZGRIEŽŅU UN SKRŪVJU PĀRBAUDE

- Pieskrūvējiet valjīgās skrūves, uzgriežņus u. c.
- Pārbaudiet degvielas vāciņa un eļļas vāciņa hermētiskumu. Pārbaudiet, vai nav degvielas un eļļas noplūdes.
- Nomainiet bojātās detaļas ar jaunām, lai neapdraudētu drošu ekspluatāciju.

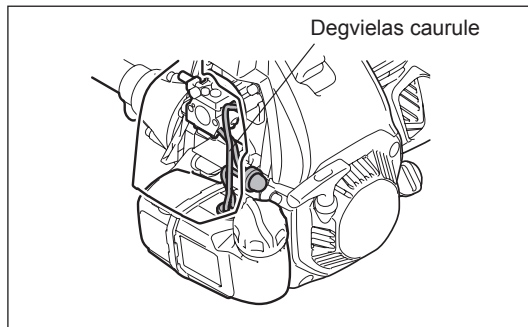
## DAĻU TĪRĪŠANA

- Vienmēr uzturiet dzinēju tīru, to noslaukot ar lupatiņu.
- Cilindra ribām vienmēr notīriet putekļus vai netīrumus. Pie ribām pielipušie putekļi vai netīrumi izraisa virzuļu iestrēgšanu.

## PAPLĀKŠŅU UN STARPLIKU NOMAINĪŠANA

Ja dzinējs ir bijis izjaukts, nomainiet starplikas un blīves.

Visus tehniskās apkopes vai regulēšanas darbus, kas nav ietverti un aprakstīti šajā lietošanas instrukcijā, drīkst veikt tikai pilnvarots servisa pārstāvis.



## UZGLABĀŠANA

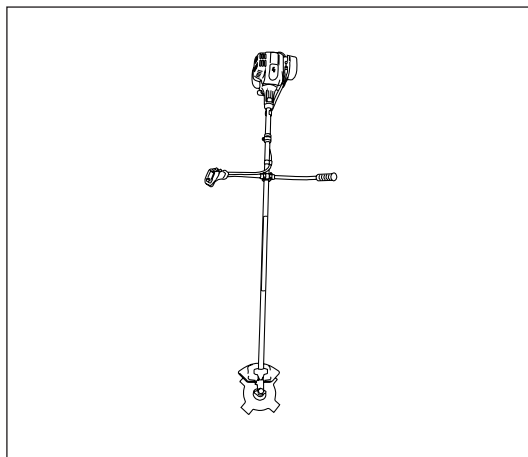


**BRĪDINĀJUMS:** Uzreiz pēc dzinēja apturēšanas dzinējs ir karsts. Ja nepieciešams iztecināt degvielu, ļaujiet dzinējam pēc apturēšanas pietiekamu laiku atdzist. Citādi var apdedzināt ādu un/vai izraisīt ugunsgrēku.



**BĪSTAMI:** Ja aparātu uzglabā ilgāku laiku, to nelietojot, no degvielas tvertnes un karburatora izteciniet visu degvielu, pēc tam glabājiet to sausā un tīrā vietā.

- Izteciniet degvielu no degvielas tvertnes un karburatora, ievērojot šādu procedūru:
  - 1) noskrūvējiet degvielas tvertnes vāciņu un pilnībā izteciniet degvielu. Ja degvielas tvertnē palicis kāds svešķermenis, iztīriet to;
  - 2) izmantojot stiepli, izvelciet degvielas filtru no uzpildīšanas atveres;
  - 3) spiediet aizdedzināšanas sūkni, kamēr degviela no turienes ir izsūkņēta un izteciniet degvielu no degvielas tvertnes;
  - 4) ielieciet filtru atpakaļ degvielas tvertnē un cieši pieskrūvējiet degvielas tvertnes vāciņu;
  - 5) pēc tam turpiniet darbināt dzinēju, kamēr tas apstājas.
- Izņemiet aizdedzes sveci un sveces spraugā iepilniet dažus dzinēja eļļas pilienus.
- Viegli velciet iedarbināšanas rokturi tā, lai dzinēja eļļa ieelļo visu dzinēju, pēc tam ievietojiet atpakaļ aizdedzes sveci.
- Piestipriniet vāku metāla asmenim.
- Aparātu ieteicams glabāt horizontāli; ja tas nav iespējams, novietojiet aparātu tā, lai griezējinstrumenti atrodas zem dzinēja. Novietojiet aparātu glabāšanā rūpīgi, lai aparāts nenokristu. Citādi var gūt ievainojumus.
- Iztecināto degvielu uzglabājiet īpaši tai paredzētā tvertnē labi vēdinātā un tumšā vietā.



## Pievērsiet uzmanību pēc ilgas glabāšanas

- Ja iedarbināt dzinēju pēc ilga dīkstāves laika, noteikti nomainiet eļļu (sk. 131. lpp.). Eļļa sabojājas, ja aparātu nedarbina.

Daļa	Ekspluatācijas laiks	Ekspluatācijas laiks						Pirms uzglabāšanas	Attiecīgā lpp.
		Pirms ekspluatācijas	Pēc uzpildīšanas	Katru dienu (10 h)	30 h	50 h	200 h		
Dzinēja eļļa	Pārbaudīt/tīrīt	○							121
	Nomainīt					○*1			131
Stiprinājuma detaļas (skrūves, uzgriežņi)	Pārbaudīt	○							133
Degvielas tvertne	Tīrīt/pārbaudīt	○							—
	Iztecinaīt degvielu							○*3	134
Droseles svira	Pārbaudīt funkciju		○						—
Apturēšanas slēdzis	Pārbaudīt funkciju		○						131
Griezējinstrumenti	Pārbaudīt	○		○					118
Tukšgaitas ātrums	Pārbaudīt/regulēt			○					127
Gaisa attīrītājs	Iztīrīt			○					132
Aizdedzes svece	Pārbaudīt			○					133
Dzesēšanas gaisa plūsmas ceļi un cilindra ribas	Tīrīt/pārbaudīt			○					134
Degvielas caurule	Pārbaudīt			○					134
	Nomainīt						⊙*2		—
Pievada korpusa smērviela	Uzpildīt				○				133
Degvielas filtrs	Tīrīt/nomainīt					○			133
Vārstu attālums (ieplūdes vārsts un izplūdes vārsts)	Pārbaudīt/regulēt						⊙*2		—
Karburators	Iztecinaīt degvielu							○*3	134

\*1 Sākotnējo nomainīšanu veiciet pēc 20 ekspluatācijas stundām.

\*2 Pārbaudi, kas jāveic pēc 200 ekspluatācijas stundām, lūdziet veikt pilnvarotam servisa pārstāvim vai veikalā, kur iegādājāties aparātu.

\*3 Pēc degvielas tvertnes iztukšošanas turpiniet darbināt dzinēju un iztecinaīt degvielu no karburatora.

## PROBLĒMU NOVĒRŠANA

Pirms lūdzat veikt remontu, sākumā paši pārbaudiet problēmu. Ja novērojams kas neparasts, rīkojieties ar ierīci saskaņā ar šajā rokasgrāmatā aprakstītajiem norādījumiem. Nekad nepārveidojiet un nenomontējiet detaļas pretēji šeit aprakstītajam. Lai veiktu remontu, sazinieties ar pilnvarotu servisa pārstāvi vai vietējo izplatītāju.

Neparasts stāvoklis	Iespējamais cēlonis (nepareiza darbība)	Risinājums
Dzinējs nesāk darboties	I-O slēdzis ir stāvoklī STOP.	I-O slēdzi novietojiet stāvoklī OPERATION (EKSPLUATĀCIJA).
	Aizdedzināšanas sūknis nesāk darboties	Spiediet to 7–10 reizes
	Iedarbināšanas trosi ir vājāki nekā vajadzīgi	Raujiet spēcīgi
	Nepietiek degvielas	Uzpildiet degvielu
	Aizsērējis degvielas filtrs	Iztīriet
	Saliekta degvielas caurule	Iztaisnojiet degvielas cauruli
	Sabojājusies degviela	Ar sabojājušos degvielu daudz grūtāk iedarbināt dzinēju. Nomainiet pret jaunu degvielu (ieteicamais nomainīšanas intervāls: 1 mēnesis).
	Degvielu iesūknē pārāk daudz	Iestatiet droses sviru no vidēja ātruma uz lielu ātrumu un pavelciet iedarbināšanas rokturi, līdz dzinējs sāk darboties. <b>Iedarbinot dzinēju, metāla asmens sāk griezties. Pievērsiet īpašu uzmanību metāla asmenim.</b> Ja dzinējs nesāk darboties vienmērīgi, izņemiet aizdedzes sveci, nožāvējiet elektrodi un ievietojiet sveci atpakaļ. Pēc tam iedarbiniet dzinēju, kā norādīts.
	Ņemts aizdedzes sveces vāciņš	Cieši piestipriniet
	Piesārņota aizdedzes svece	Iztīriet
	Nepareizs aizdedzes sveces attālums	Noregulējiet to
	Citas problēmas ar sveci	Nomainiet
	Problēmas ar karburatoru	Pieprasiet veikt pārbaudi un tehnisko apkopi
	Nav iespējams paraut iedarbināšanas trosi	Pieprasiet veikt pārbaudi un tehnisko apkopi
Problēmas ar piedziņas sistēmu	Pieprasiet veikt pārbaudi un tehnisko apkopi	
Dzinējs ātri vien pārstāj darboties Dzinēja apgriezieni nepalīdina	Nav pietiekami uzsildījies	Veiciet uzsildīšanas darbību
	Jaudas svira ir iestatīta pozīcijā „AIZVĒRTS”, lai arī dzinējs ir uzsildījies.	Iestatiet stāvoklī „ATVĒRTS”.
	Aizsērējis degvielas filtrs	Iztīriet
	Piesārņots vai aizsērējis gaisa attīrītājs	Iztīriet
	Problēmas ar karburatoru	Pieprasiet veikt pārbaudi un tehnisko apkopi
	Problēmas ar piedziņas sistēmu	Pieprasiet veikt pārbaudi un tehnisko apkopi
Metāla asmens negriežas ↓ Nekavējoties apturiet dzinēju	Vājāgs metāla asmens piestiprināšanas uzgrieznis	Stingri pieskrūvējiet
	Metāla asmenī vai izkļēdes aizsargvākā iekļērušies zari	Izņemiet svešķermeņus
	Problēmas ar piedziņas sistēmu	Pieprasiet veikt pārbaudi un tehnisko apkopi
Galvenais mehānisms pārmērīgi vibrē ↓ Nekavējoties apturiet dzinēju	Salauzts, saliekts vai nodilis metāla asmens	Nomainiet metāla asmeni
	Vājāgs metāla asmens piestiprināšanas uzgrieznis	Stingri pieskrūvējiet
	Pārvietojusies metāla asmens izliktā daļa un metāla asmens atbalsta stiprinājums	Cieši piestipriniet
	Problēmas ar piedziņas sistēmu	Pieprasiet veikt pārbaudi un tehnisko apkopi
Metāla asmens neapstājas uzreiz ↓ Nekavējoties apturiet dzinēju	Lieli apgriezieni tukšgaitā	Noregulējiet
	Atvienota droses stieple	Cieši piestipriniet
	Problēmas ar piedziņas sistēmu	Pieprasiet veikt pārbaudi un tehnisko apkopi
Dzinēju nevar apturēt ↓ Darbiniet dzinēju tukšgaitā un iestatiet jaudas sviru pozīcijā „AIZVĒRTS”	Atvienojies savienotājs	Cieši piestipriniet
	Problēmas ar elektrosistēmu	Pieprasiet veikt pārbaudi un tehnisko apkopi

Ja dzinējs nesāk darboties pēc uzsildīšanas darbības veikšanas:

Ja iepriekš minētajos elementos problēmas nav atrastas, atveriet droseli apmēram par 1/3 un iedarbiniet dzinēju.



Ačiū, kad įsigijote MAKITA elektrinį įrenginį lauko darbams. Mes su malonumu rekomenduojame jums šį MAKITA gaminį, kuri buvo kuriama ir tobulinama daugelį metų, pasitelkiant ilgametę patirtį ir žinias. Perskaitykite šią informacinę knygelę, kurioje išsamiai aprašomos įvairios savybės, įrodančios išskirtinį įrankio darbą. Šios žinios leis jums gauti geriausių, kokie tik įmanomi, rezultatų naudojant MAKITA gaminį.

**Turinys****Puslapis**

Ženklai.....	137
Saugos instrukcija.....	138
Techniniai duomenys.....	142
Dalių sąrašas.....	143
Rankenos montavimas.....	144
Apsauginio gaubto montavimas.....	145
Metalinio peilio arba nailoninės pjovimo galvutės montavimas.....	147
Prieš pradėdant darbą.....	148
Tinkamas įrenginio nešimas.....	150
Nurodymai, kaip naudoti ir sustabdyti įrenginį.....	152
Pjovimo įrankio galandimas.....	155
Techninės priežiūros instrukcija.....	158
Saugojimas.....	161

**ŽENKLAI**

Skaitydami naudojimo instrukciją, joje pastebėsite toliau nurodytus ženklus.

	Perskaitykite naudojimo instrukciją ir vadovaukitės įspėjimais bei nurodymais dėl saugos!		Darbo vietoje neturi būti žmonių ir kambarinių gyvūnėlių!
	Būkite itin atsargūs ir dėmesingi!		Dėvėkite apsauginį šalną, apsauginius akinius ir ausų apsaugas!
	Draudžiama!		Maksimalus leistinas įrankio greitis
	Išlaikykite saugų atstumą!		Degalai (benzinas)
	Sviedžiamų objektų keliamas pavojus!		Rankinis variklio vedimas
	Atatranka!		Avarinis išjungimas
	Rūkyti draudžiama!		Pirmoji pagalba
	Degti atvirą liepsną draudžiama!		ĮJUNGTI / PALEISTI
	Privaloma mūvėti apsaugines pirštines!		IŠJUNGTI / SUSTABDYTI
	Mūvėkite tvirtus batus neslidžiais padais. Rekomenduojama mūvėti batus su plieno apsaugomis kojų pirštams!		DROSELINĖS SKLENĖS FIKSAVIMO PADĖTIS

# SAUGOS INSTRUKCIJA

## Bendroji instrukcija

- Perskaitykite šią naudojimo instrukciją, kad žinotumėte, kaip naudoti šį įrenginį. Nepakankamai informuoti vartotojai sumažina sau ir kitiems dėl netinkamo naudojimo kylantį pavojų.
- Šią krūmaplovę rekomenduojama skolinti tik tiems žmonėms, kurie įrodo turį patirties naudoti krūmaploves. Skolindami įrenginį, visuomet atiduokite ir jo naudojimo instrukciją.
- Pirmieji vartotojai privalo paprašyti savo pardavimo atstovo pateikti pagrindinius nurodymus, kad sužinotų, kaip naudoti krūmaploves.
- Vaikams ir jaunesniems nei 18 metų asmenims negalima naudoti šio įrenginio. Tačiau vyresni nei 16 metų asmenys, prižiūrimi kvalifikuoto specialisto, gali naudoti šį įrenginį mokymais, kaip juo naudotis.
- Naudodami būkite labai atsargūs ir atidūs.
- Naudokite tik būdami geros fizinės būklės. Visus darbus atlikite ramiai ir atidžiai. Vartotojai privalo prisiimti atsakomybę už kitus.
- Niekada nenaudokite šio įrenginio, jei esate apsvaigę nuo alkoholio arba narkotikų, arba, jei jaučiatės pavargę ar sergą.
- Šio įrenginio naudojimas gali būti reglamentuojamas nacionaliniais teisės aktais.

## Numatytoji įrenginio paskirtis

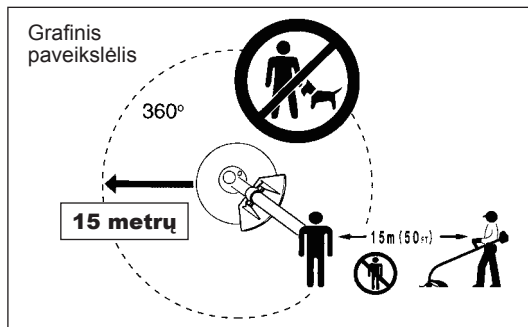
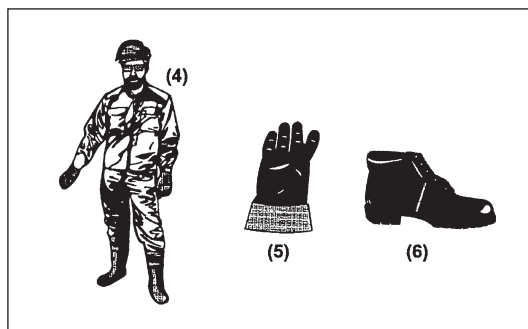
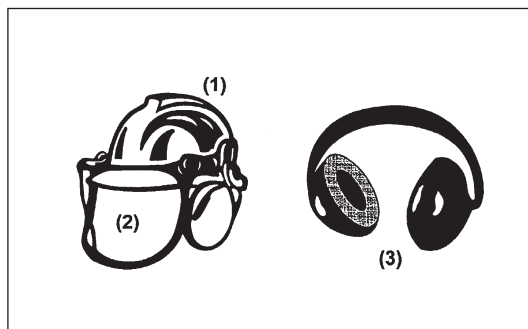
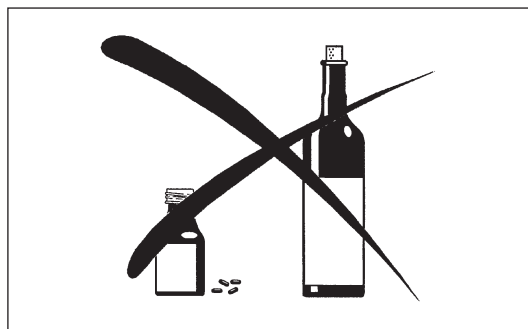
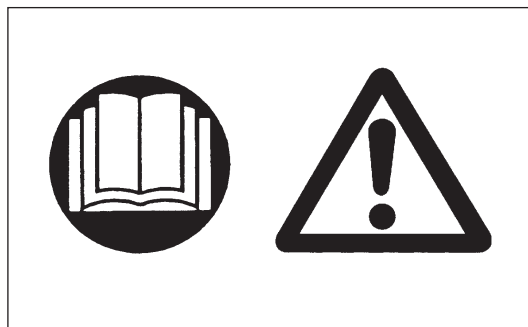
- Šis įrenginys skirtas tik žolei, piktžolėms, krūmams ir atžalynams pjauti. Ji nėra skirta jokiems kitiems tikslams, pavyzdžiui, dekoratyviniams augalams ar gyvatvorėms karpyti, nes galima susižeisti.

## Asmeninės saugos priemonės

- Reikia dėvėti tinkamus darbinius drabužius, t.y., jie turi būti priglundę, bet neaptempti. Nedėvėkite papuošalų ar plačių drabužių, kurie galėtų įsipainioti krūmuose ar krūmynuose.
- Norint išvengti galvos, akių, rankų ar kojų sužeidimą, taip pat apsaugoti klausą darbo metu, būtina dėvėti apsaugines priemones.
- Ten, kur kyla krintančių daiktų keliamas pavojus, visuomet dėvėkite šalmą. Apsauginį šalmą (1) reikia reguliariai tikrinti, ar jis nesugadintas, ir keisti jį bent kas 5 metus. Naudokite tik aprobuotus apsauginius šalmus.
- Apsauginis šalmo skydelis (2) (arba darbo akiniai) apsaugo veidą nuo sviedžiamos žolės ir akmenukų. Dirbdami visuomet dėvėkite apsauginius akinius arba skaidrų vantveidį, kad išvengtumėte sužeidimų.
- Dėvėkite tinkamas, nuo triukšmo apsaugančias priemones, kad išvengtumėte klausos pablogėjimo (ausines (3), ausų kištukus ir pan.).
- Darbo kombinezonai (4) apsauga nuo svaidomų akmenų ir šiukšlių. Mes primygtinai rekomenduojame vartotojams dėvėti darbo kombinezonus.
- Pirštinės (5) yra būtina saugos priemonių dalis - jas visuomet būtina mūvėti dirbant.
- Naudodami šį įrenginį, visuomet dėvėkite tvirtus batus (6) neslidžiais padais. Jie apsaugo kojas nuo sužeidimų ir užtikrina tinkamą pusiausvyrą.

## Krūmaplovės paleidimas

- Užtikrinkite, kad vaikai ar kiti žmonės būtų bent 15 metrų (50 pėdų) atstumu nuo darbo vietos, taip pat atkreipkite dėmesį, ar netoliese nėra kokių nors gyvūnų.
- Prieš pradėdami naudoti šį prietaisą, patikrinkite, ar jį saugu naudoti. Patikrinkite pjovimo įrankio saugumą, ar lengvai veikia droselinės sklendės svirtis ir patikrinkite, ar tinkamai veikia droselinės sklendės svirties stabdiklis.
- Įrenginiui veikiant tuščiaja eiga be apkrovų, pjovimo įrankis turi nesisukti. Jei abejojate, atiduokite įrenginį pardavimo atstovui, kad jį patikrintų. Patikrinkite, ar rankenos yra švarios ir sausos; taip pat patikrinkite, ar tinkamai veikia įjungimo / išjungimo jungiklis.

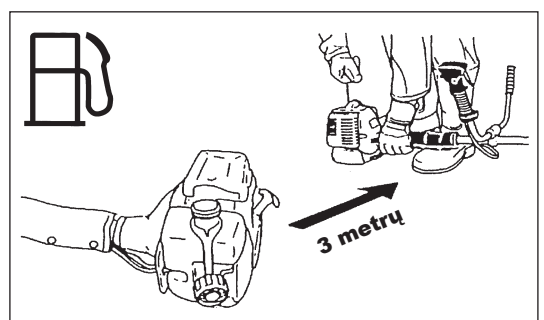
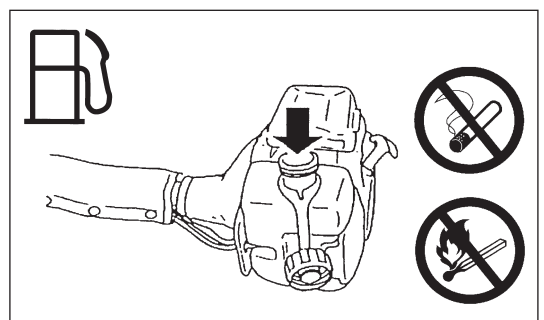
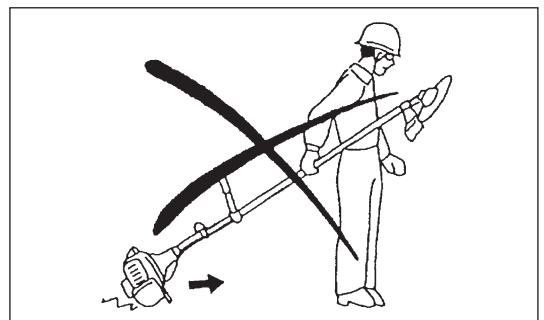
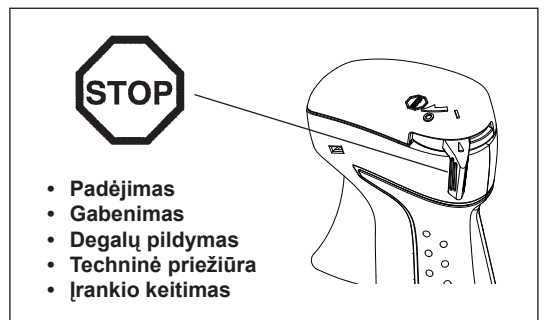
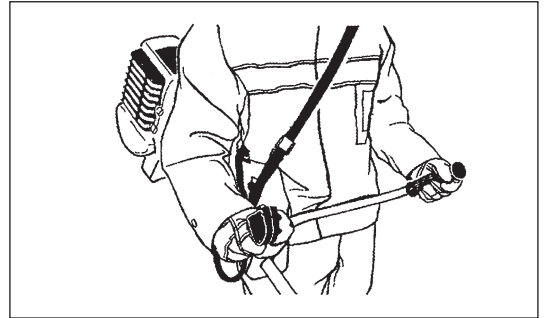
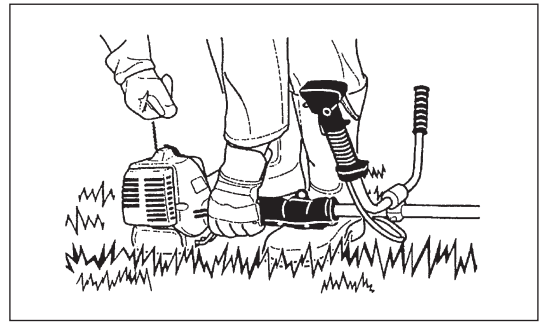


Naudokite krūmapjovę tik pagal instrukciją.

- Nenaudokite jokių kitų būdų varikliui užvesti!
- Naudokite krūmapjovę ir kitus įrankius tik tokiems darbams, kuriems jie yra numatyti.
- Variklį junkite tik tuomet, kai įrenginys bus visiškai sumontuotas. Šį prietaisą galima naudoti tik tuomet, kai bus uždėti visi atitinkami jo priedai!
- Prieš įjungdami šį pjovimo įrankį, įsitinkinkite, kad jis nesiliečia prie jokių kietų objektų, pavyzdžiui, šakų, akmenų ir pan., nes įjungus įrankį gali įvykti atatranka.
- Įvykus kokiam nors variklio gedimui, jį būti tuoj pat išjungti.
- Jei pjovimo įrankis atsitrenkė į akmenį ar kokį nors kitą kietą objektą, tuoj pat išjunkite variklį ir apžiūrėkite pjovimo įrankį.
- Reguliariai tikrinkite pjovimo įrankį, ar jis neapgadintas (vielelos įtrūkimus tikrinkite atlikdami tapšnojoimo ir garso bandymą).
- Jei įrenginys patiria stiprų smūgį arba nukrenta, prieš dirbdami toliau patikrinkite jo būklę. Patikrinkite, ar nėra degalų sistemos nuotėkio ir ar tinkamai veikia valdikliai bei saugos prietaisai. Jei yra pažeidimas arba kyla abejonių, kreipkitės į mūsų įgaliotąjį techninės priežiūros centrą dėl patikrinimo ir remonto.
- Naudokite šį prietaisą tik užsidėję ant peties diržą, kurį reikia tinkamai pareguliuoti prieš pradėdami naudoti šią krūmapjovę. Būtina pareguliuoti peties diržą pagal vartotojo ūgį, kad sumažėtų darbo metu patiriamas nuovargis. Naudodami pjovimo įrankį, niekuomet nevaldykite jo viena ranka.
- Dirbdami, visuomet tvirtai laikykite krūmapjovę abiem rankomis. Visuomet tvirtai stovėkite ant žemės.
- Laikykite įrenginį tokiu būdu, kad neįkvėptumėte išmetamų dujų. Niekuomet nejunkite variklio uždaroje patalpoje (pavojus apsinuodyti nuodingomis dujomis). Anglies monoksidas yra bekvapės dujos.
- Išjunkite variklį poilsio pertraukų metu ir tuomet, kai paliekate įrenginį be priežiūros; padėkite jį saugioje vietoje, kad jis nekeltų pavojaus kitiems arba pats nebūtų sugadintas.
- Niekada nedėkite krūmapjovės ant sausos žolės arba ant kokių nors kitų degių medžiagų.
- Prieš įjungdami variklį, ant įrenginio visada sumontuokite patvirtintą pjovimo įrankio apsauginį gaubtą. Kitaip, prisilietus prie pjovimo įrankio, galima sunkiai susižaloti.
- Darbo metu privaloma naudoti visus su įrankiu pateiktus apsauginius įtaisus ir apsaugas.
- Niekuomet nejunkite variklio, jei sugedęs jo išmetimo dujų duslintuvas.
- Nešdami įrankį, išjunkite jį.
- Gabendami įrenginį, ant metalinio peilio visada uždėkite dangtelį.
- Jei vežate įrenginį automobiliu, būtina tinkamai padėkite jį, kad iš jo neištekėtų degalai.
- Gabendami visuomet visiškai ištuštinkite jo degalų baką.
- Išimdami įrenginį iš sunkvežimio, niekuomet nemeskite jo ant žemės, nes galite smarkiai sugadinti jo degalų baką.
- Niekuomet nemeskite šio prietaiso ant žemės, išskyrus avarinius atvejus, nes kitaip galite smarkiai jį sugadinti.
- Nešdami įrenginį, visiškai pakelkite jį nuo žemės – nevilkite jo žeme. Vilkti įrenginį žeme yra labai pavojinga, nes gali būti pažeistas degalų bakas ir ištekėję degalai gali sukelti gaisrą.

## Degalų pildymas

- Pildami į baką degalų, išjunkite variklį; nepilkite degalų prie atviros liepsnos šaltinių ir nerūkykite.
- Stenkitės, kad ant odos nepakliūtų mineralinės alyvos. Neįkvėpkite degalų garų. Pildami degalus, visuomet mūvėkite apsaugines pirštines. Reguliariai keiskite ir skalbkite apsauginius drabužius.
- Stenkitės neišlieti degalų ar alyvos, kad neužterštumėte dirvos (saugokite aplinką). Išlieję degalų, tuoj pat nuvalykite krūmapjovę.
- Stenkitės, kad degalų nepakliūtų ant drabužių. Tuoj pat persirenkite, jei apliejote drabužius degalais (kad drabužiai neužsiliepsnotų).
- Reguliariai tikrinkite degalų dangtelį, kad įsitikintumėte, jog jį galima saugiai ir sandariai užsukti.
- Kruopščiai užsukite degalų bako dangtelį. Variklį užveskite atokiai nuo tos vietos, kurioje pylėte degalų (bent per 3 metrus nuo degalų pildymo vietos).
- Niekuomet nepildykite degalų uždaroje patalpoje. Degalų garai kaupiasi ties žemės paviršiumi (kyla sprogo pavojus).
- Degalus vežkite ir laikykite tik aprobuotuose bakuose. Užtikrinkite, kad saugomi degalai būtų laikomi vaikams nepasiekiamoje vietoje.



## Naudojimo būdas

- Naudokite tik esant geram apšvietimui ir matomumui. Žiemos metu saugokitės slidžių ar šlapių vietų, ledo ir sniego (pavojus paslysti). Visuomet tvirtai stovėkite ant žemės.
- Niekada nepjaukite aukščiau savo juosmens.
- Niekada nedirbkite stovėdami ant kopėčių.
- Niekada nelipkite į medžius, kad nupjautumėte šakas.
- Niekada nedirbkite stovėdami ant nestabilių paviršių.
- Iš darbo vietos pašalinkite smėlį, akmenis, vinis ir pan. Pašaliniai daiktai ir dallės gali sugadinti pjovimo įrankį ir sukelti pavojingą atitrąską.
- Prieš pradėdami pjauti, pjovimo įrankis turi pasiekti maksimalų darbo greitį.
- Jeigu naudojame metalinius peilius, mojuokite įrankiu pusrūčiais iš dešinės į kairę, lyg pjautumėte žolę dalgiu. Jeigu tarp pjovimo įrankio ir apsauginio gaubto įstrigtų žolės arba šakų, prieš jas šalindami, visada išjunkite variklį. Kitaip, peiliui netikėtai pradėjus sukstis, galima sunkiai susižaloti.
- Pailsėkite, kad dėl nuovargio neprarastumėte gebėjimo valdyti įrankį. Rekomenduojame kas valandą pailsėti 10–20 minučių.

## Pjovimo įrankiai

- Naudokite tik darbui tinkamą pjovimo įrankį. Nailoninės pjovimo galvutės (vieleinių žoliapjovių galvutės) tinka vejų žolei pjauti. Metalinei peiliai tinka piktžolėms, aukšta žolei, krūmams, krūmokšniams, krūmynams, atžalynams, tankumynams ir pan. pjauti. Niekada nenaudokite kitų peilių, įskaitant metalines, iš daug grandžių sudarytas besisukančias grandines ir spragilinio tipo peilius. Antraip galima sunkiai susižeisti.
- Naudodami metalinius peilius, venkite „smarkios reakcijos“ ir visada būkite pasiruošę atsitiktinei atitrąskai. Žr. skyrių „Atitrąska“ ir „Atitrąskos prevencija“.

## Atitrąska (peilio sviedimas)

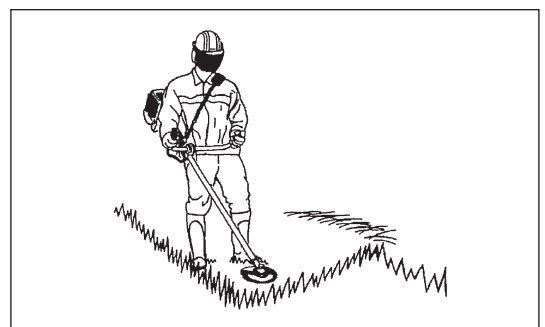
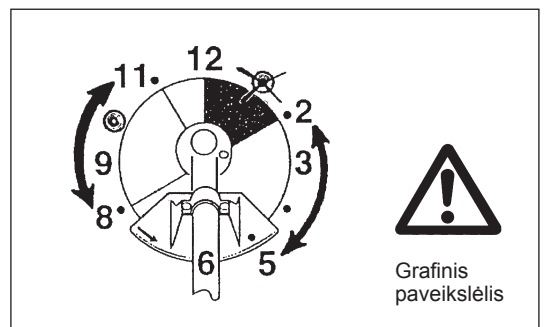
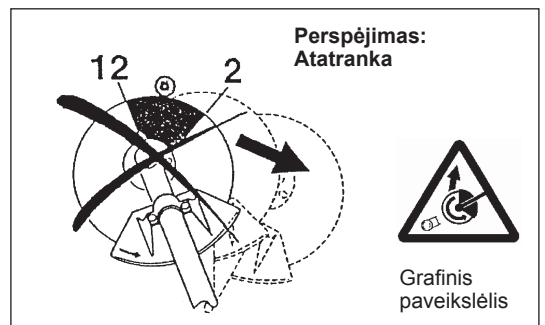
- Atitrąska (peilio sviedimas) – tai staigi reakcija į metalinio peilio įstrigimą arba užkliuvimą. Įvykus atitrąskai, įrenginys didele jėga sviedžiamas į šoną arba operatoriaus link ir gali sunkiai sužeisti.
- Atitrąska dažniausiai įvyksta tada, kai peilis kietas medžiagas, krūmus ir 3 cm arba didesnio skersmens medžius pjauna dalimi, atitinkančia laikrodžio ciferblato dalį tarp 12 ir 2 valandos.
- Norėdami išvengti atitrąskos:
  - pjaukite peilio dalimi, atitinkančia laikrodžio ciferblato dalį nuo 8 iki 11 valandos;
  - niekada nepjaukite peilio dalimi, atitinkančia laikrodžio ciferblato dalį nuo 12 iki 2 valandos;
  - niekada nepjaukite ta peilio dalimi, kuri atitinka laikrodžio ciferblato dalį nuo 11 iki 12 valandų ir nuo 2 iki 5 valandų, nebent būtumėte kvalifikuoti bei patyrę operatoriai ir tai darytumėte savo pačių rizika;
  - niekada nenaudokite metalinių peilių arti kietų medžiagų, pavyzdžiui, tvorų, sienų, medžių kamienų ir akmenų;
  - niekada nenaudokite metalinių peilių vertikaloje padėtyje tokiems darbams kaip gyvatvorių formavimas ir karpymas atlikti.

## Vibracija

- Per didelę vibraciją patiriantys žmonės, kurių prasta kraujo apytaka, gali susižeisti kraujagysles arba nervų sistemą. Dėl vibracijos pirštuose, rankose ar riešuose gali atsirasti tokių simptomų: „Nutirpimas“, dilgčiojimas, skausmas, dūrimo pojūtis, odos spalvos arba odos pakitimas. Pajutę bet kurį iš šių simptomų, kreipkitės į gydytoją!
- Siekdami sumažinti pavojų susirgti „pirštų balimo liga“, dirbdami rankas laikykite šiltai ir tinkamai techniškai prižiūrėkite įrenginį bei priedus.

## Techninės priežiūros instrukcija

- Įrenginio techninė priežiūra privalo būti atliekama mūsų įgaliuotuosiuose techninio aptarnavimo centruose, visada naudojant tik originalias keičiamąsias dalis. Netinkamas remontas ir prasta techninė priežiūra gali sutrumpinti įrenginio tarnavimo laiką ir padidinti nelaimingų atsitikimų pavojų.
- Prieš pradėdami darbą, būtina patikrinti pjovimo įrankio būklę, ypač apsauginius įrankio įtaisus ir ant peties dedamą diržą. Reikia atkreipti ypatingą dėmesį į metalinius peilius, kurie privalo būti tinkamai pagaląsti.
- Keisdami arba galąsdami pjovimo įrankius, taip pat valydami peilį arba pjovimo įrankį, išjunkite variklį ir nuimkite uždegimo žvakės jungtį.



## Niekada netiesinkite ir nebandykite suvirinti pazeistų pjovimo įrankių.

- Tausokite gamtą. Stenkitės be reikalo nedroseliuoti, kad būtų mažiau taršos ir triukšmo. Tinkamai pareguliuokite karbiuratorių.
- Reguliariai valykite įrenginį ir tikrinkite, ar gerai priveržti visi varžtais ir veržlės.
- Niekada nedarykite techninės priežiūros darbų ir nelaikykite įrenginio šalia atviros liepsnos.
- Įrenginį visuomet laikykite rakinamoje patalpoje, ištuštinę jo degalų baką.
- Valydami, techniškai prižiūrėdami ir saugodami įrenginį, ant metalinio peilio visada uždėkite dangtelį.



Laikykitės atitinkamų nelaimingų atsitikimų prevencijos nurodymų, kuriuos pateikia atitinkamos prekybos asociacijos ir draudimo bendrovės. Nedarykite jokių įrenginio modifikacijų, nes tai gali kelti pavojų jūsų saugumui.

Vartotojo atliekami techninės priežiūros ir remonto darbai yra ribojami; vartotojas gali atlikti tik tuos darbus, kurie yra nurodyti šioje naudojimo instrukcijoje. Visus kitus darbus privalo atlikti įgaliotasis techninės priežiūros atstovas. Naudokite tik originalias, „MAKITA“ bendrovės pagamintas ir tiekiamas keičiamąsias dalis ir priedus.

Naudojant neapbruotus priedus ir įrankius padidėja nelaimingų atsitikimų pavojus.

„MAKITA“ neprisima atsakombės už nelaimingus atsitikimus ar žalą, kuri atsiranda naudojant neapbruotus pjovimo įrankius ir pjovimo įrankių tvirtinimo prietaisus bei priedus.

## Pirmoji pagalba

Atlikdami pjovimo darbus, būtinai užtikrinkite, netoliese visuomet turėtumėte pirmosios pagalbos rinkinį dėžutėje, kuriuo galėtumėte pasinaudoti nelaimingo atsitikimo atveju. Jei panaudojote kokių nors pirmosios pagalbos priemonių, tuoj pat papildykite rinkinį.

## Kreipdamiesi pagalbos, pateikite šią informaciją:

- Vieta, kur įvyko nelaimingas atsitikimas
- kas atsitiko;
- sužeistų asmenų skaičius;
- sužeidimo pobūdis;
- jūsų vardas, pavardė.



---

Tik Europos šalims

## EB atitikties deklaracija

**Mes, bendrovė „Makita Corporation“, būdami atsakingas gamintojas, pareiškiame, kad šis „Makita“ įrenginys (-iai):**

Įrenginio pavadinimas: Benzininė krūmapjovė

Modelio Nr. / tipas: EM4351UH, EM4350UH, EM4350LH

Techniniai duomenys: žr. lentelę „TECHNINIAI DUOMENYS“

yra serijinis gaminys ir

**atitinka šias Europos direktyvas:**

2000/14/EB, 2006/42/EB

ir yra pagaminti pagal šiuos standartus arba normatyvinius dokumentus:

EN ISO 11806-1

Techninė dokumentacija saugomas pas mūsų įgaliotąjį atstovą Europoje, kuris yra adresu:

Makita International Europe Ltd.,

Michigan Drive, Tongwell, Milton Keynes, Bucks MK15 8JD, England (Anglija)

Atitikties įvertinimo procedūra, būtina pagal Tarybos Direktyvą 2000/14/EB, atlikta atsižvelgiant į V priedą.

EM4351UH:

Nustatytas garso galios lygis: 114,3 dB

Garantuotas garso galios lygis: 116 dB

EM4350UH:

Nustatytas garso galios lygis: 113,8 dB

Garantuotas garso galios lygis: 115 dB

EM4350LH:

Nustatytas garso galios lygis: 110,7 dB

Garantuotas garso galios lygis: 112 dB

8. 9. 2011

Tomoyasu Kato  
Direktorius

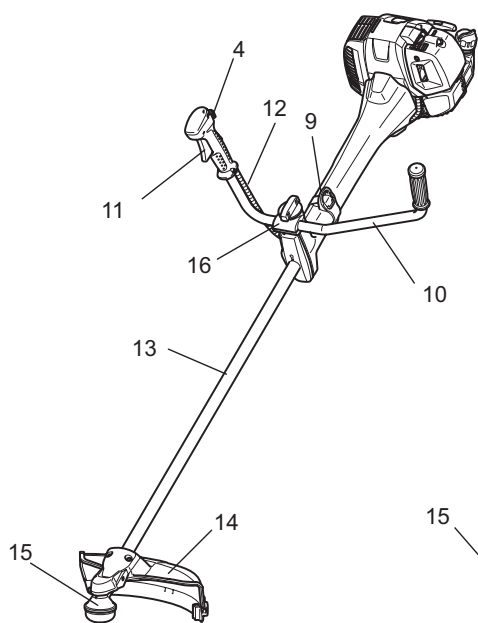
Makita Corporation  
3-11-8, Sumiyoshi-cho,  
Anjo, Aichi, JAPAN

## TECHNINIAI MODELIŲ EM4351UH, EM4350UH IR EM4350LH DUOMENYS

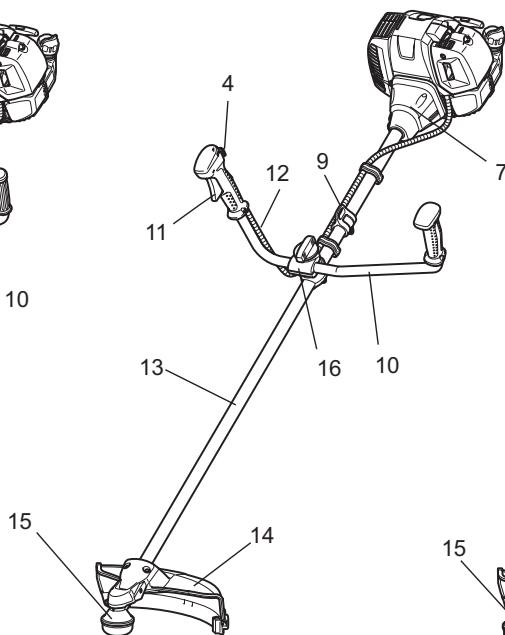
Modelis			EM4351UH	EM4350UH		EM4350LH				
Rankenis tipas			Dviračio rankena		Dviračio rankena		Kilpinė rankena			
Matmenys: ilgis x plotis x aukštis (be pjovimo įrankio)			mm		1 812 x 618 x 528		1 812 x 635 x 460		1 812 x 339 x 250	
Svoris (be plastikinio apsauginio gaubto ir pjovimo įrankio)			kg		8,6		8,3		7,9	
Talpa (degalų bako)			l		0,6					
Talpa (alyvos bako)			l		0,1					
Variklio litražas			cm <sup>3</sup>		43,0					
Maksimali variklio galia			kW		1,5 esant 7 500 min <sup>-1</sup>					
Variklio apukos esant rekomenduojamam maksimaliam veleno sukimosi greičiui			min <sup>-1</sup>		10 500					
Maksimali variklio galia (atitinkama)			min <sup>-1</sup>		7 200					
Tuščioji eiga			min <sup>-1</sup>		3 000					
Sankabos įjungimo greitis			min <sup>-1</sup>		4 000					
Karbiuratorius			Diafragmos tipas							
Uždegimo sistema			Bekontaktė, magnetinio tipo							
Uždegimo žvakė			tipas		NGK CMR6A					
Elektrodo tarpelis			mm		0,7 - 0,8					
					PJOVIMO PEILIS	NAILONINĖ PJOVIMO GALVUTĖ	PJOVIMO PEILIS	NAILONINĖ PJOVIMO GALVUTĖ	PJOVIMO PEILIS	NAILONINĖ PJOVIMO GALVUTĖ
Vibracija pagal ISO 22867	Dešinioji rankena (galinė rankena)	$a_{hv\ eq}$	m/s <sup>2</sup>	2,2	2,5	3,1	4,0	4,2	2,6	
		Paklaida K		m/s <sup>2</sup>	0,5	0,3	0,5	0,7	1,1	0,7
	Kairioji rankena (priekinė rankena)	$a_{hv\ eq}$	m/s <sup>2</sup>	1,7	2,6	4,8	5,0	3,8	3,7	
		Paklaida K		m/s <sup>2</sup>	0,5	1,3	2,9	0,6	1,0	1,4
Garso slėgio lygio vidurkis pagal ISO 22868			$L_{PA\ eq}$	dBA	92,4	99,8	91,2	99,1	92,8	94,9
			Paklaida K		dBA	1,8	1,0	2,2	1,3	1,6
Garso galios lygio vidurkis pagal ISO 22868			$L_{WA\ eq}$	dBA	101,8	114,3	103,1	113,8	103,4	107,7
			Paklaida K		dBA	1,8	1,5	1,1	1,1	1,5
Degalųai			Automobilinis gazolinas (benzinas)							
Variklinė alyva			API kategorijos SF arba aukštesnės klasės SAE 10W-30 alyva (automobilinė alyva, skirta 4-takčiams varikliams)							
Pjovimo įrankiai (pjovimo peilio skersmuo)			mm		305 (su trimis peiliais)					
Perdavimo skaičius			13/19							

## DALIŲ SĄRAŠAS

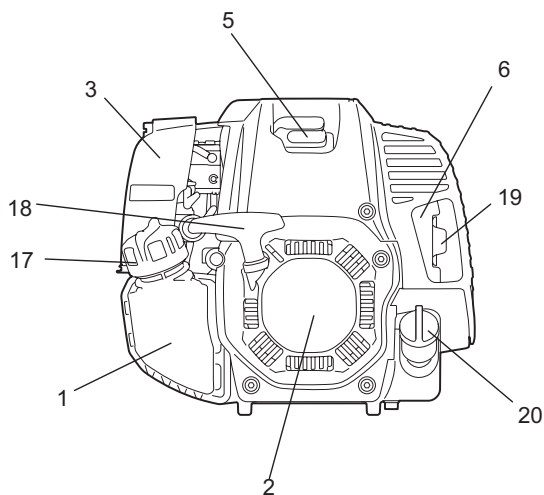
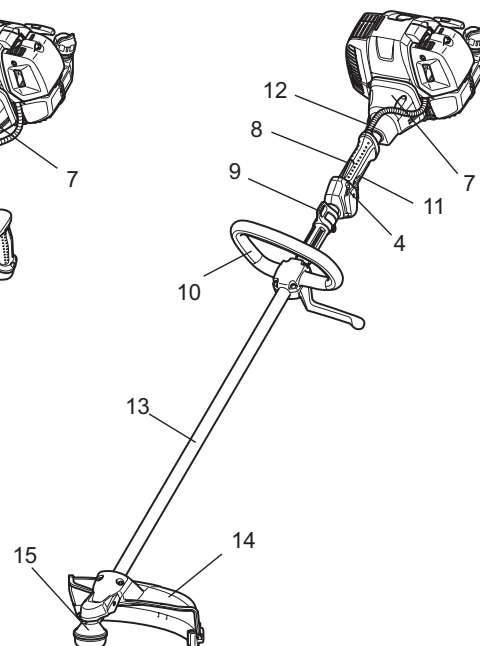
### EM4351UH



### EM4350UH



### EM4350LH



LT	DALIŲ SĄRAŠAS
1	Degalų bakas
2	Rankiniu būdu užvedamas starteris
3	Oro filtras
4	I-O ir droselinės sklendės fiksavimo jungiklis (įjungti/išjungti)
5	Uždegimo žvakė
6	Išmetimo dujų duslintuvas
7	Sankabos dėžė
8	Galinė rankena
9	Pakaba
10	Rankena
11	Droselinės sklendės svirtis
12	Valdymo kabelis
13	Velenas
14	Apsauginis gaubtas (pjovimo įrankio apsauginis gaubtas)
15	Pavarų dėžė/galvutės karkasas
16	Rankenos laikiklis
17	Degalų bako dangtelis
18	Starterio rankenėlė
19	Išmetimo vamzdis
20	Alyvos pildymo angos dangtelis

## RANKENOS MONTAVIMAS

**PERSPĖJIMAS:** Prieš pradėdami be kokių įrenginio reguliavimo, remonto ar valymo darbus, visuomet išjunkite variklį ir atjunkite nuo žvakės uždegimo žvakės jungtį.

Visuomet mūvėkite apsaugines pirštines!

**PERSPĖJIMAS:** Užveskite variklį tik tuomet, kai jis bus visiškai sumontuotas.

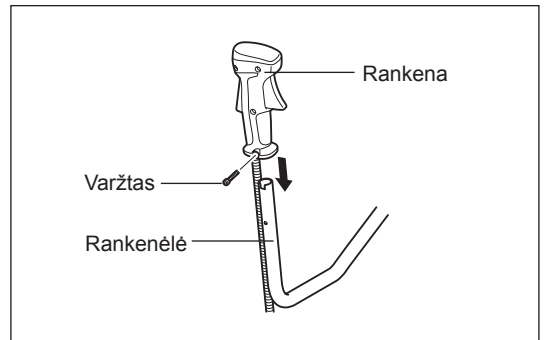


### Modeliams EM4351UH, EM4350UH

Įkiškite rankenos veleną į rankeną kaip parodyta.

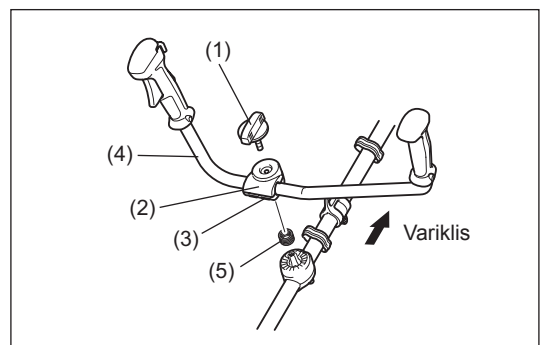
Sutapdinkite rankenoje esančią varžto skylę su veleno esančia skylė.

Tvirtai užveržkite varžtą.



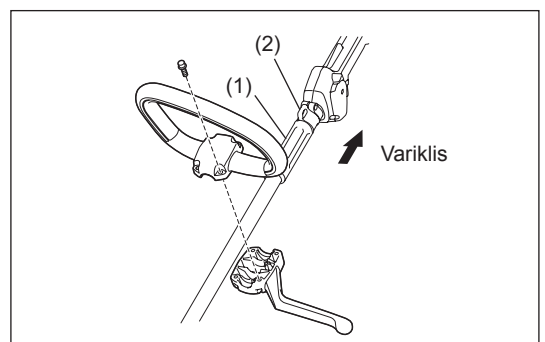
- Atsukite rankenėlę (1).
- Dėkite rankeną (4) tarp rankenos varžtuvo (2) ir rankenos laikiklio (3).
- Pareguliuokite rankenos (4) kampą, kad jums būtų patogiu dirbti, tuomet tvirtai ją priveržkite, ranka užsukdami tvirtinimo rankenėlę (1).

**PERSPĖJIMAS:** Nepamirškite sumontuoti spyruoklės (5).



### Modeliui EM4350LH

- Pritvirtinkite kilpinę rankeną prie veleno keturiais varžtais.
- Išlaikykite tinkamą atstumą tarp rankenų; tarp kilpinės rankenos ir pakabos (2) dėkite tarpiklį (1).





## APSAUGINIO GAUBTO MONTAVIMAS

Norėdami laikytis taikytinų saugos nuostatų, naudokite tik lentelėje pateiktus įrankio/apsauginio gaubto derinius.

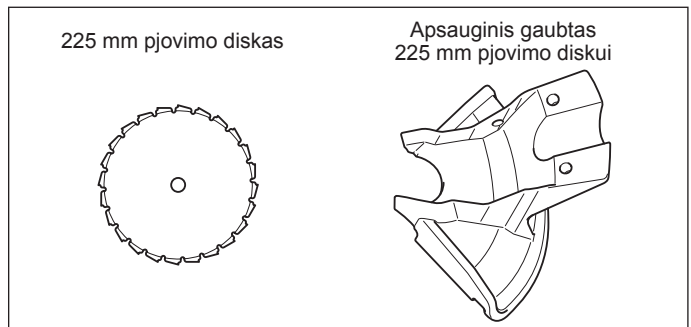
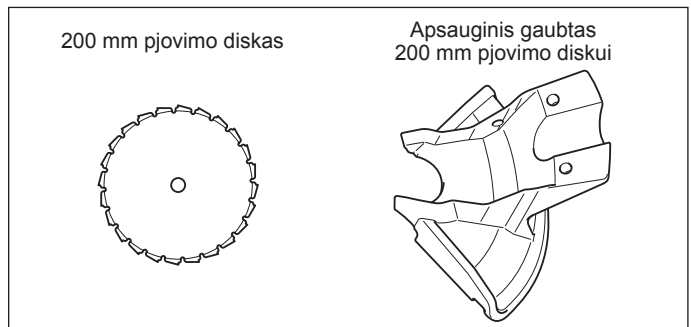
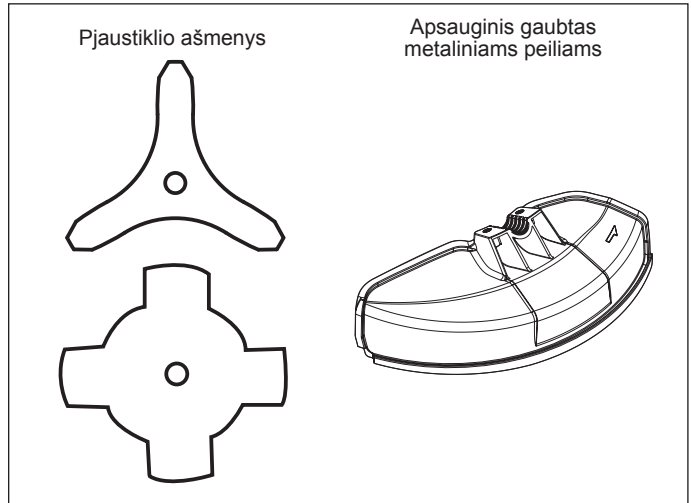


**Būtinai naudokite tik „MAKITA“ metalinius peilius (įskaitant pjovimo diską ir pjovimo peilį) arba nailoninę pjovimo galvutę.**

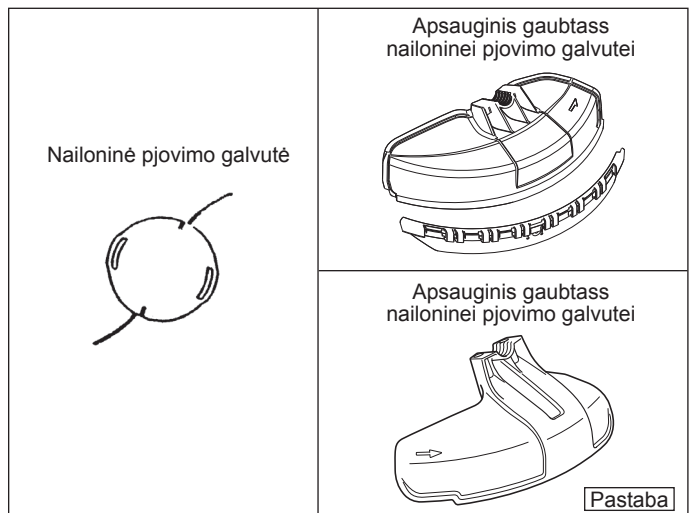
- Metalinis peilis turi būti aštrus ir be jokių įtrūkimų ar įskilimų. Jeigu dirbant metalinis peilis atsitrenkia į akmenį, išjunkite variklį ir nedelsdami patikrinkite peilį.
- Pagaląskite arba pakeiskite metalinį peilį kad tris darbo valandas.
- Jeigu dirbant nailoninė pjovimo galvutė atsitrenkia į akmenį, išjunkite variklį ir nedelsdami patikrinkite nailoninę pjovimo galvutę.

**PERSPĖJIMAS:** Jūsų pačių saugumui ir siekiant laikytis nelaimingų atsitikimų prevencijos taisyklių, ant įrankio visuomet turi būti sumontuotas apsauginis gaubtas. Draudžiama naudoti įrenginį be apsauginio gaubto. Išorinis pjovimo peilio skersmuo turi būti 300 mm (12") arba mažesnis. Niekada nenaudokite peilių, kurių išorinis skersmuo viršija 300 mm (12"). Naudokite 200 mm pjovimo disko apsauginį gaubtą tik tada, kai naudojate 200 mm pjovimo diską. Naudokite 225 mm pjovimo disko apsauginį gaubtą tik tada, kai naudojate 225 mm pjovimo diską. Naudodami pjovimo diską, kitų kombinacijų netaikykite.

**PASTABA:** standartinė pjovimo įrankių kombinacija įvairiose šalyse gali skirtis.



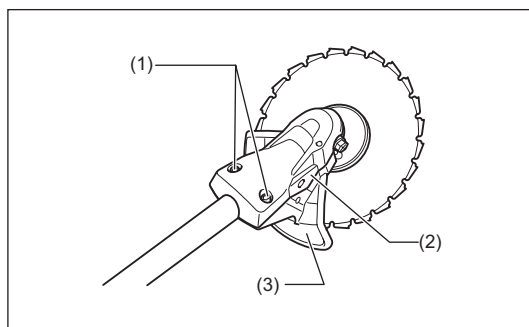
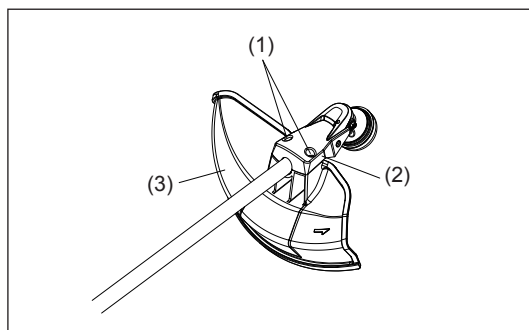
**PASTABA:** Naudodami šį apsauginį gaubtą ant modelio EM4350LH kartu su nailoninėmis pjovimo galvutėmis (B&F Z5L arba B&F Eco6L), tarp imtuvo poveržlės ir nailoninės pjovimo galvutės sumontuokite balansavimo poveržlę (Dalis Nr.: 326755\*2). (Kaip montuoti, žr. 147 puslapyje.)



Pastaba

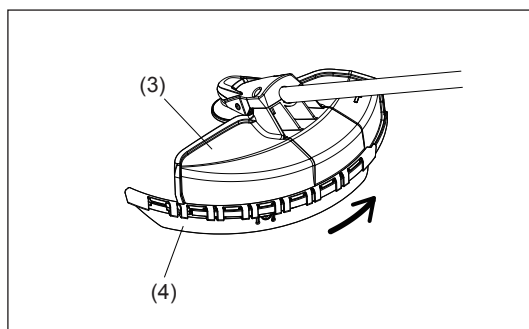
- Naudodami metalinį peilį, pritvirtinkite apsauginį gaubtą (3) prie veržiklio (2) dviem varžtais (1).

PASTABA: Vienodai priveržkite dešinįjį ir kairinį varžtus, kad tarpas tarp veržiklio (2) ir apsauginio gaubto (3) būtų vienodas. Jei priveršite nevienodai, apsauginis gaubtas kartais gali veikti netinkamai.

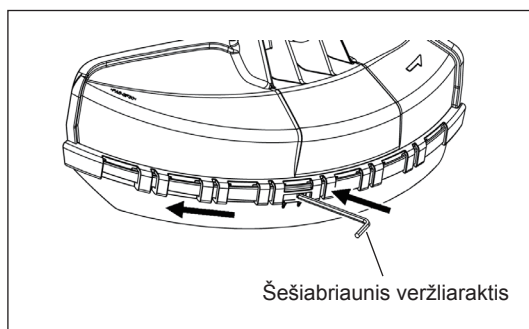


- Tais atvejais, kai reikia naudoti nailoninės vielos pjoviklį, ant metalinio peilio apsauginio gaubto (3) būtinai sumontuokite nailoninės vielos pjoviklio apsauginį gaubtą (4).
- Montuokite nailoninės vielos pjoviklio apsauginį gaubtą (4), kišdami jį į atitinkamą vietą iš metalinio peilio apsauginio gaubto (3) šono, kaip parodyta.
- Nuplėškite prie pjoviklio, kuris nupjauna nailoninę vielą, priklijuotą lipnią juostą, esančią ant nailoninės vielos pjoviklio apsauginio gaubto (4).

PERSPĖJIMAS: Būtinai stumkite nailoninės vielos pjoviklio apsauginį gaubtą (4) tol, kol visiškai jį įkišite. Būkite atsargūs, kad nesusižeistumėte į pjoviklį, skirtą nailoninei vielai nupjauti.



- Norėdami nuimti nailoninės vielos pjoviklio apsauginį gaubtą (4), įkiškite šešiakampį veržliaraktį į metalinio peilio apsauginio gaubto (3) griovelį, įstumkite jį ir tuo pat metu nuimkite nailoninės vielos pjoviklio apsauginį gaubtą (4).



## METALINIO PEILIO ARBA NAILONINĖS PJOVIMO GALVUTĖS MONTAVIMAS

Būtinai naudokite tik „MAKITA“ metalinius peilius arba nailoninę pjovimo galvutę.

- Metalinis peilis turi būti aštrus ir be jokių įtrūkimų ar įskilimų. Jeigu dirbant metalinis peilis atsitrenkia į akmenį, išjunkite variklį ir nedelsdami patikrinkite peilį.
- Pagaląskite arba pakeiskite metalinį peilį kad tris darbo valandas.
- Jeigu dirbant nailoninė pjovimo galvutė atsitrenkia į akmenį, išjunkite variklį ir nedelsdami patikrinkite nailoninę pjovimo galvutę.

**PERSPĖJIMAS:** Jūsų pačių saugumui ir siekiant laikytis nelaimingų atsitikimų prevencijos taisyklių, ant įrankio visuomet turi būti sumontuotas apsauginis gaubtas. Draudžiama naudoti įrenginį be apsauginio gaubto. Išorinis pjovimo peilio skersmuo turi būti 300 mm (12") arba mažesnis. Niekada nenaudokite peilių, kurių išorinis skersmuo viršija 300 mm (12").

Apverskite įrenginį aukštyn kojomis ir galėsite lengvai pakeisti metalinį peilį arba nailoninę pjovimo galvutę.

- Pro pavarų dėžėje esančią skylę įkiškite šešiakampį veržliaraktį ir sukite imtuvo poveržlę (4), kol ji bus užblokuota šešiakampiu veržliaraktčiu.
- Galiniu raktu atsukite veržlę (1) (su kairiniu sriegiu) ir nuimkite veržlę (1), gaubtelį (2) ir suspaudimo poveržlę (3).

### Metalinio peilio montavimas nenuimant šešiakampio veržliaraktčio

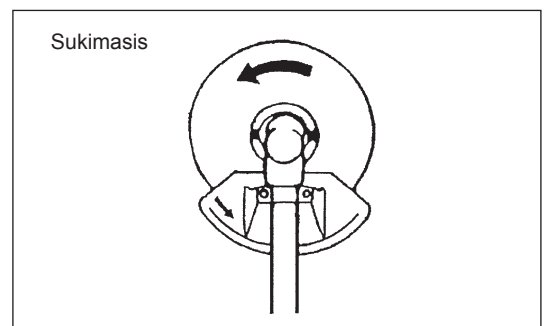
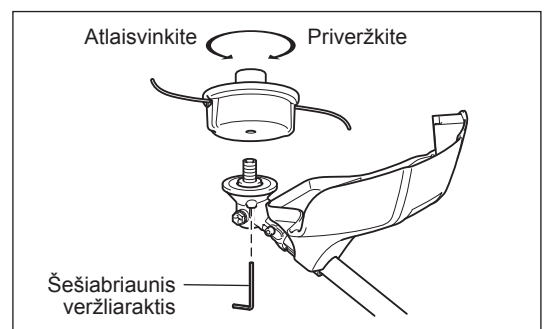
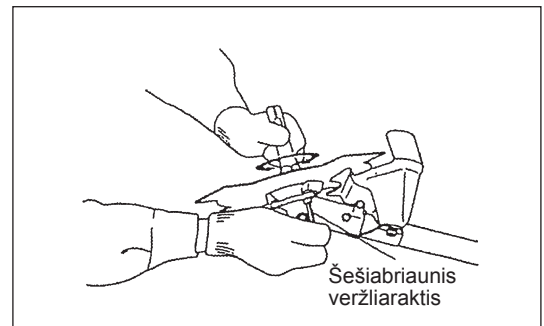
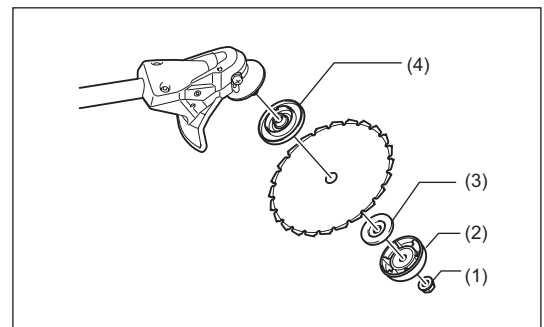
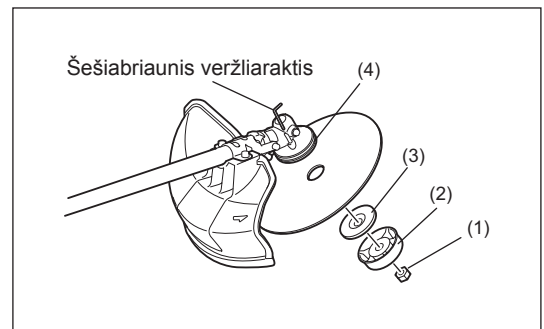
- Uždėkite metalinį peilį ant veleno taip, kad imtuvo poveržlės (4) kreiptuvas būtų metalinio peilio veleno skylėje. Uždėkite suspaudimo poveržlę (3), gaubtelį (2) ir priveržkite metalinį peilį veržle (1).  
[Veržimo momentas: 20 - 30 N-m]

PASTABA: Montuodami metalinį peilį, visuomet mūvėkite pirštines.

PASTABA: Metalinio peilio priveržimo veržlė (su spyruokline poveržle) yra susidėvinti dalis. Jei spyruoklinė poveržlė nusidėvėtų arba pastebėtumėte, kad ji deformavosi, pakeiskite veržlę nauja.

### Nailoninės pjovimo galvutės montavimas

- Montuojant nailoninę pjovimo galvutę, poveržlę (3), gaubtelis (2) ir veržlę (1) nėra būtini. Nailoninė pjovimo galvutė užmaunama ant imtuvo poveržlės (4).
- Pro pavarų dėžėje esančią skylę įkiškite šešiakampį veržliaraktį ir sukite imtuvo poveržlę (4), kol ji bus užblokuota šešiakampiu veržliaraktčiu.
- Tuomet užsukite nailoninę pjovimo galvutę ant veleno, sukdami ją prieš laikrodžio rodyklę.
- Ištraukite šešiabriaunį veržliaraktį.



## PRIEŠ PRADEDANT DARBĄ

### Variklio alyvos tikrinimas ir pripylimas

- Atvėsus varikliui, atlikite tokius veiksmus.
- Padėję variklį ant horizontalaus paviršiaus, ištraukite alyvos lygio matuoklį ir patikrinkite, ar alyvos pripilta tarp viršutinės ir apatinės ribų.
- Jeigu alyvos lygis nesiekia apatinės ribos, atsukite alyvos pildymo angos dangtelį ir įpilkite daugiau alyvos.
- Sritis ties išorinėmis žymėmis yra permatoma, todėl alyvos lygį galima patikrinti nenuimant alyvos pildymo angos dangtelio. Visgi, jeigu alyvos vamzdelis labai užsiterštų, matomumas gali pablogėti, todėl alyvos lygį reikėtų tikrinti pagal pakopinę dalį, esančią alyvos vamzdelio viduje.
- Alyvos gali tekti papildyti maždaug kas 10 darbo valandų (kas 10 kartų papildant degalų).  
Jei pakinta alyvos spalva arba ji užteršiama, pripilkite švarios alyvos. (Apie keitimo intervalus ir keitimo būdą skaitykite 158 psl.)

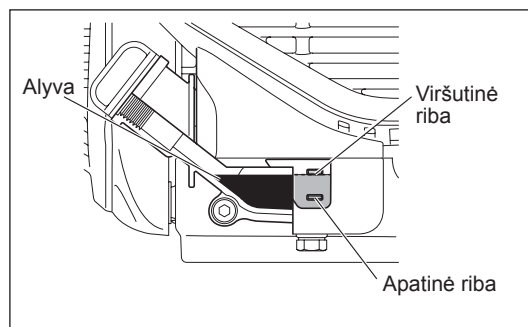
**Rekomenduojama alyva:** API klasifikacijos alyva, kurios klampumas pagal SAE yra 10W-30, SF arba aukštesnės klasės (skirta keturtakčiams automobilių varikliams)

**Alyvos talpa:** Maždaug 0,10 l

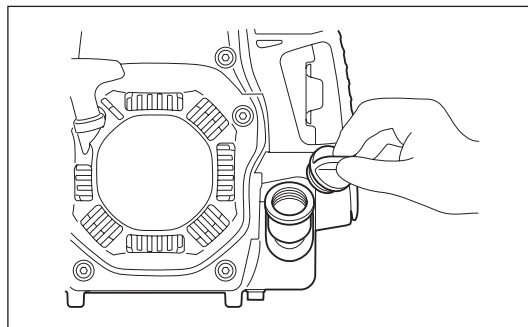
**PASTABA:** Jeigu variklis padedamas ne taip, kaip parodyta paveikslėlyje (ne ant horizontalaus paviršiaus), alyvos lygis gali būti nustatytas netinkamai ir alyvos gali būti pripilta per daug. Pripylus alyvos virš viršutinės ribos, alyva gali sutepti kitas dalis ir (arba) gali virsti balti dūmai.

### Kaip keisti alyvą: „Alyvos pildymo angos dangtelis“

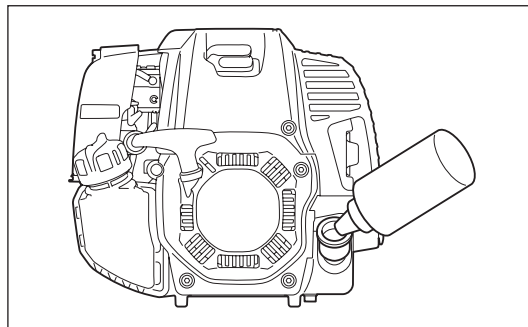
- Nuvalykite aplink alyvos pildymo angą susikaupusias dulkes ar purvą ir nuimkite alyvos pildymo angos dangtelį.
- Saugokite ištrauktą alyvos pildymo angos dangtelį nuo smėlio ar dulkių. Kitaip prie alyvos pildymo angos dangtelio prilipęs smėlis ar dulkės gali sutrikdyti alyvos srautą arba sukelti variklio dalių nusidėvėjimą ir dėl to variklis gali sugesti.



(1) Laikykite variklį lygiai ir nuimkite alyvos dangtelį.



(2) Pripilkite alyvos iki viršutinės ribos žymės.  
Pildymui naudokite alyvos buteliuką.



(3) Tvirtai užsukite alyvos dangtelį. Netvirtai priveržus, alyva gali ištekėti.

### Pastaba

- Nepilkite alyvos, kai variklis yra pasviręs.
- Pilant alyvos, kai variklis yra pasviręs, alyvos pripilama per daug, o tai sąlygoja užteršimą alyva ir (arba) kyla baltų dūmų.

### Pripylę alyvos

- Išlietą alyvą tuoj pat nušluostykite skudurėliu.

## DEGALŲ PYLIMAS

### Kaip elgtis su degalais

Būtina labai atsargiai elgtis su degalais. Degaluose gali būti cheminių medžiagų, panašių į tirpiklius. Degalus pilti reikia pakankamai vėdinamoje patalpoje arba lauke. Niekomet neįkvėpkite degalų garų, laikykite degalus atokiai nuo savęs. Jei reguliariai arba ilgai liosite degalus, oda taps sausa; galite susirgti odos liga arba alergija. Jei degalų pakliūtų į akis, tuoj pat gausiai išplaukite akis švariu vandeniu. Jei akys vis tiek liks sudirgintos, pasikonsultuokite su savo gydytoju.

### Degalų galiojimo laikas

Degalus reikėtų sunaudoti maždaug per 4 savaites, net jei jie laikomi specialiuose bakuose gerai vėdinamoje, saulės neapšviestoje vietoje. Kitaip degalų kokybė gali suprastėti per vieną dieną.

### ĮRENGINIO SAUGOJIMAS IR DEGALŲ BAKO PILDYMAS

- Laikykite įrenginį ir jo baką vėsioje vietoje, atokiai nuo tiesioginių saulės spindulių.
- Niekada nelaikykite degalų automobilio salone.

### Degalųai

Šis variklis yra ketrutaktis. Būtinai naudokite neetiliuotą, 87 arba aukštesnio oktaninio skaičiaus automobilinį benziną ((R+M)/2). Jame turi būti ne daugiau nei 10 % alkoholio (E-10).

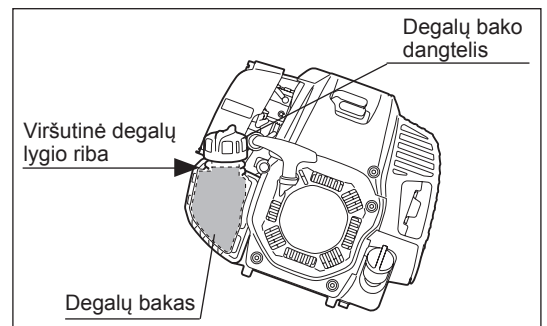
### Nurodymai, kaip pilti degalus

- Niekomet nenaudokite benzino mišinių, kurių sudėtyje yra variklio alyvos. Kitaip bus išmetama per daug anglies dvideginio arba atsiras mechaninių gedimų.
- Naudojant užterštą alyvą, bus sunku užvesti variklį.

### Degalų pildymas

**ĮSPĖJIMAS: Pildami į baką degalų, prieš tai išjunkite variklį; nepilkite degalų prie atviros liepsnos šaltinių ir nerūkykite.**

- Šiek tiek atsukite bako dangtelį, kad bake neliktų slėgio.
- Nuimkite degalų bako dangtelį, pripilkite degalų, tuomet pakreipkite degalų baką, kad pylimo anga būtų nukreipta į viršų ir iš degalų bako išeitų oras. **NEPILKITE** degalų iki bako kaklelio viršaus.
- Nušluostykite išorinę degalų bako dangtelio pusę, kad į degalų baką nepakliūtų jokių nešvarumų.
- Pripylę degalų, kruopščiai užsukite degalų bako dangtelį.
- Degalų bako dangtelis būtų įtrūkęs ar apgadintas, nedelsdami pakeiskite jį nauju.
- Laikui bėgant bako dangtelis nusidėvi. Keiskite jį kas du–tris metus.
- **NEPILKITE** degalų pro alyvos pildymo angą.



## TINKAMAS ĮRENGINIO NEŠIMAS

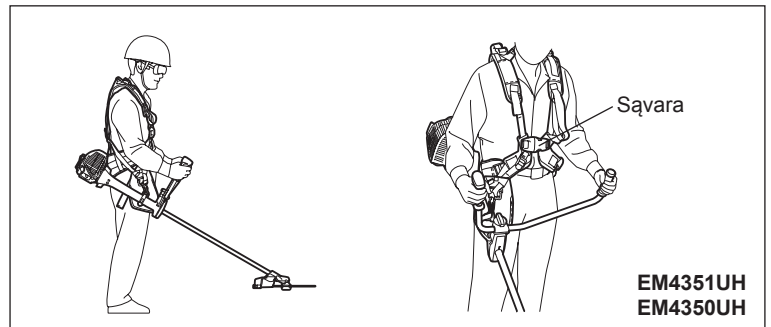
### Kaip užsidėti diržą ant peties

- Pareguliuokite diržo ilgį, kad metalinis peilis būtų lygiagretus žemės paviršiui.

### Modeliams EM4351UH, EM4350UH

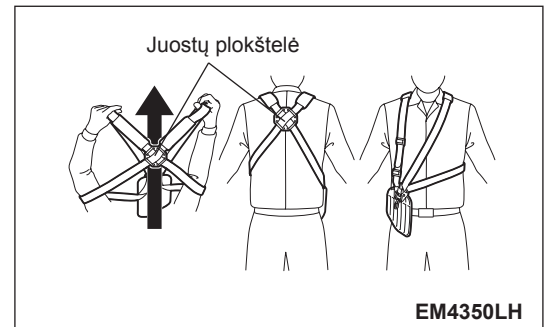
Laikydami diržą ant nugaros, užsekite jį sagtimi ir pareguliuokite juostų ilgį.

PASTABA: Būkite atsargūs, kad sąvaroje neįstrigtų drabužiai ir pan.



### Modeliui EM4350LH

- 1) Atsistokite taip, kad juostų plokštelė būtų arčiau jūsų. Prakiškite rankas ir galvą pro juostą.
- 2) Tinkamai užsidėjęs diržą, juostos plokštelė atsiremia į jūsų nugarą, o regulatoriai ir kabliukas atsiduria jūsų kūno dešinėje.

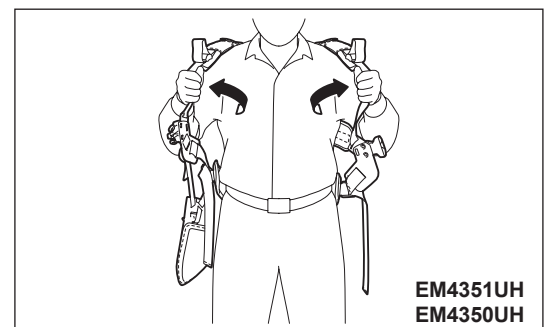
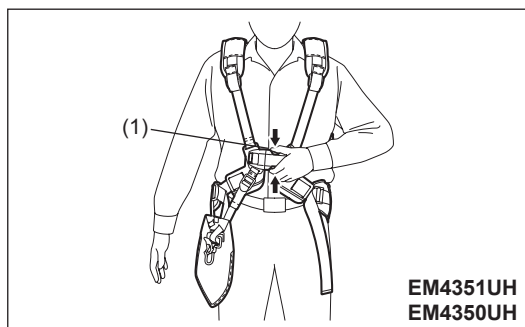


### Kaip atkabinti įrenginį

#### Modeliams EM4351UH, EM4350UH

- Norėdami atkabinti įrenginį, suspauskite sąvaros (1) šonus ir nusimeskite perpetinius diržus. Tuo metu būkite labai atsargūs, kad suvaldytumėte įrenginį. Neleiskite, kad įrenginys būtų nusviestas link jūsų ar šalia dirbančių žmonių.

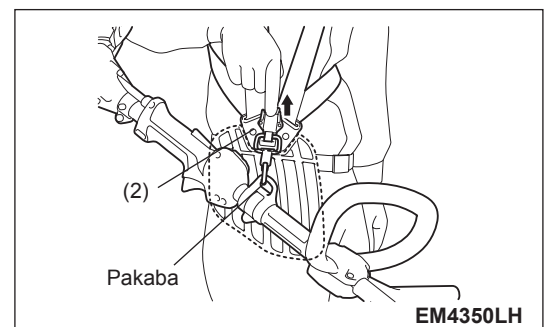
ĮSPĖJIMAS: Praradus įrenginio valdymą, galima sunkiai susižaloti arba net ŽŪTI.



### Modeliui EM4350LH

- Norėdami atkabinti įrenginį, stipriai vienu pirštu ištraukite avarinio atjungimo svirtį (2). Tuo metu būkite labai atsargūs, kad suvaldytumėte įrenginį. Neleiskite, kad įrenginys būtų nusviestas link jūsų ar šalia dirbančių žmonių.

ĮSPĖJIMAS: Praradus įrenginio valdymą, galima sunkiai susižaloti arba net ŽŪTI.



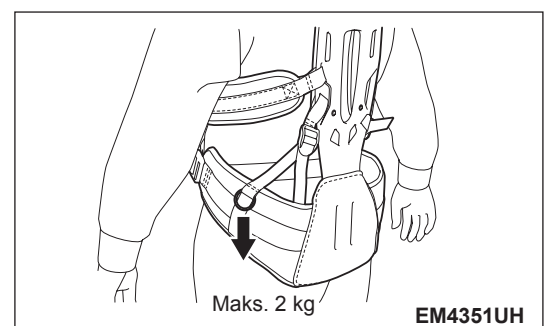
### Pakabinimo žiedas

#### Modeliui EM4351UH

- Ant žiedo galite kabinti koją nors daiktą, sveriantį mažiau nei 2 kg (4,4 svaro).

PASTABA: Nekabinkite ant žiedo nieko, kas svertų daugiau nei 2 kg (4,4 svaro). Žiedas gali neišlaikyti ant jo pakabinto sunkiau sveriančio daikto, todėl šis nukristi ir būti sugadintas.

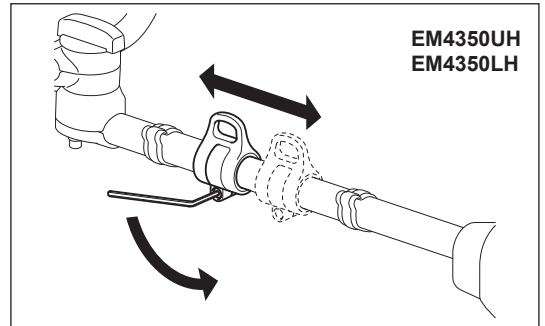
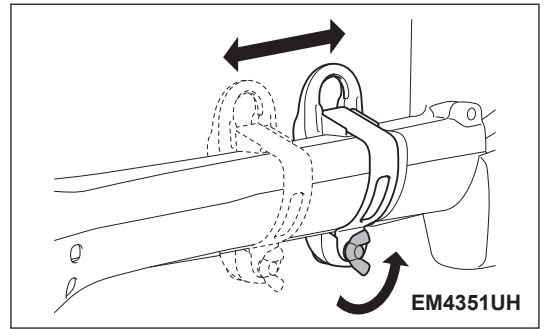
PERSPĖJIMAS: Nekabinkite ant žiedo nieko, kas galėtų įsipainioti krūmuose ar krūmynuose. Įsipainiojus kokiame nors daiktui, galite netekti pusiausvyros, nesuvaldyti įrenginio ir susižeisti.



### Svorio pusiausvyros reguliavimas

Įrenginio svorio pusiausvyrą galima reguliuoti perstumiant pakabą pirmyn arba atgal.

Nustatykite darbui tinkamą įjovimo įrankio aukštį.

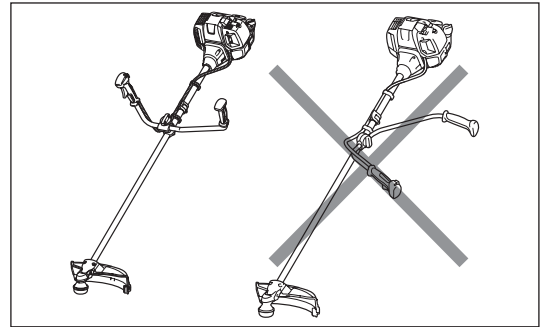


## NURODYMAI, KAIP NAUDOTI IR SUSTABDYTI ĮRENGINĮ

Laikykite galiojančių nurodymų dėl nelaimingų atsitikimų prevencijos!



Prieš užvesdami variklį, visada nustatykite rankeną į tinkamą padėtį. Antraip pjovimo įrankis gali staiga pasisukti ir sužeisti, nes gali būti patrauktas arba užlenktas droselinės sklendės kabelis ir droselinė sklendė gali būti atidaryta.

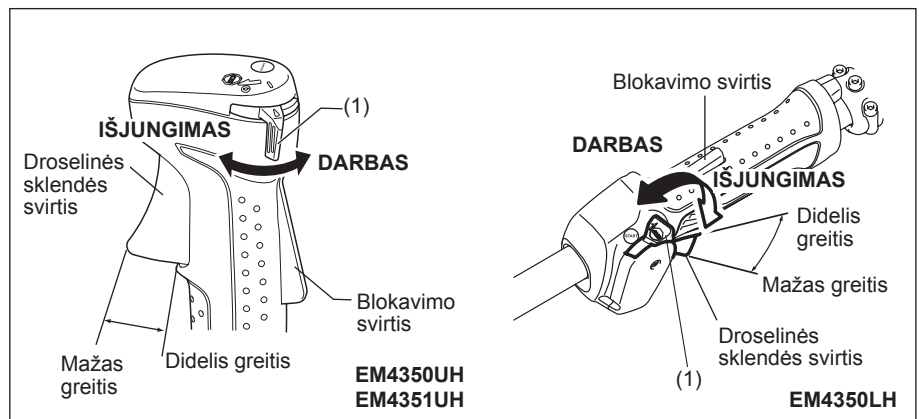


### ĮJUNGIMAS

Pasitraukite bent 3 m nuo tos vietos, kurioje pylėte degalus. Padėkite įrenginį ant švarios žemės paviršiaus, bet įsitinkite, kad pjovimo įrankis neliestų žemės ar kokių nors kitų daiktų.

#### A: Šaltasis užvedimas

- 1) Padėkite šį įrenginį lygioje vietoje.
- 2) Nustatykite I-O jungiklį (1) į DARBO padėtį.

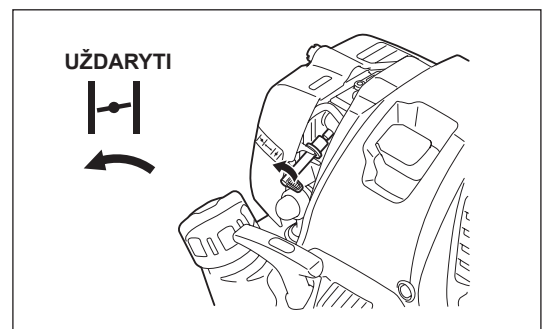


- 3) Droselinės sklendės svirtis

Uždarykite droselinės sklendės svirtį.

Droselinės sklendės atidarymas:

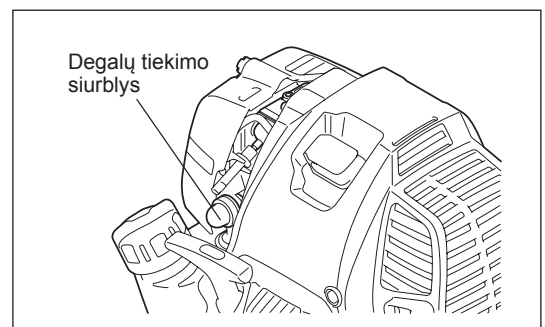
- Visiškai uždaryta esant šaltam oru arba užvedant šaltą variklį.
- Visiškai atidaryta arba pusiau atidaryta, jeigu variklis yra šiek tiek šiltas, pavyzdžiui, vėl užvedant ką tik po pašildymo išjungtą variklį.



- 4) Degalų tiekimo siurblys

Pumpuokite degalų tiekimo siurblių, kol į jį pritekės degalų. (paprastai reikia paspausti 7–10 kartų.)

Jei per daug kartų paspausite degalų tiekimo siurblių, degalų perteklius sugrįš į degalų baką.





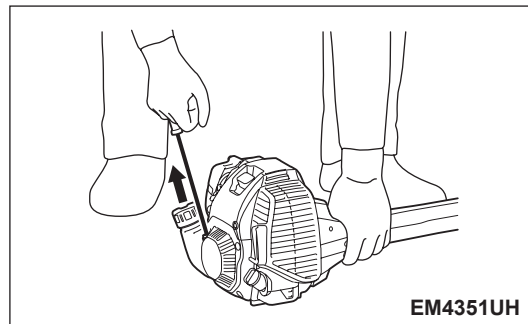
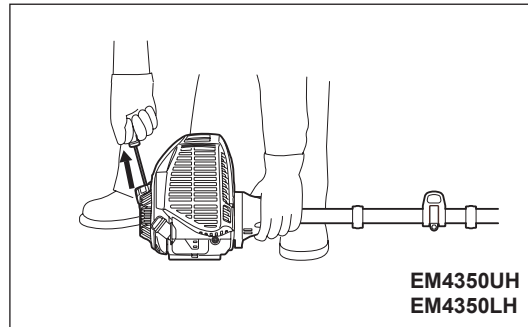
5) Rankiniu būdu užvedamas starteris

Būtinai tvirtai stovėkite ant žemės. Laikykite įrenginį kaire ranka ir tvirtai spauskite jį žemyn.

**PERSPĖJIMAS:** Nestovėkite ir neklūpokite ant droselinės sklendės kabelio. Gali būti netyčia patrauktas vidinis laidas ir pjovimo įrankis gali pradėti sukstis. Neatidarykite droselinės sklendės.

Atsargiai traukite už starterio rankenėlės, kol pajausite pasipriešinimą. Tuomet sugrąžinkite starterio rankenėlę atgal į vietą ir stipriai patraukite už jos.

Niekada neištraukite virvės iki pat galo. Ištraukę starterio rankenėlę, niekada tuoj pat jos neatleiskite. Liakykite starterio rankenėlę, kol ji sugrįš į pradinį tašką.



6) Droselinės sklendės svirtis

Užvedę variklį, nustatykite droselinės sklendės svirtį į padėtį ATIDARYTI.

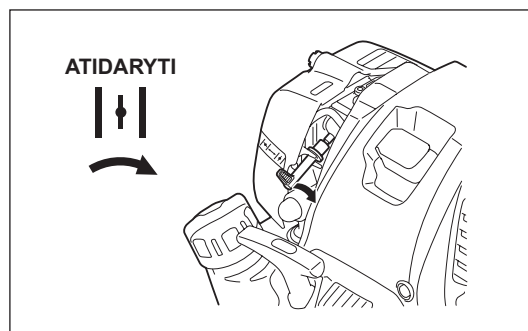
- Droselinės sklendės svirtį atidarykite palaipsniui, vis patikrindami, kaip veikia variklis. Įsitikinkite, kad droselinės sklendės svirtis būtų nustatyta galinėje padėtyje.

- Esant šaltam orui arba varikliui visiškai atvėsus, niekada staigiai neatidarykite droselinės sklendės svirties. Kitaip variklis gali užgesti.

7) Pašildymas

2–3 minutes pašildykite variklį.

**PASTABA: Bereikalingai netraukite droselinės sklendės svirties, kol variklis neveikia.** Antraip pro oro filtrą gali ištekėti degalai. Jeigu taip atsitiktų, nušluostykite ištekėjusius degalus. Taip pat atidarykite oro filtro dangtelį ir nuvalykite elementą bei oro filtro plokštelę.



**PASTABA :**

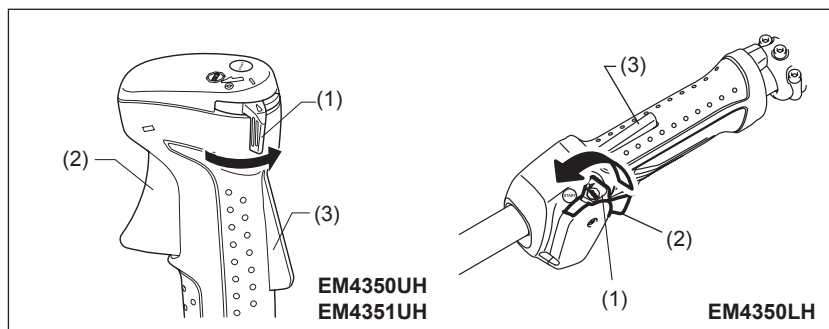
- Bereikalingai netraukite droselinės sklendės svirties, kai variklis neveikia. Antraip variklis gali būti užlietas ir vėliau jį bus sunku užvesti.
- Jeigu variklis būtų užlietas degalais, išsukite uždegimo žvakę ir lėtai patraukite už starterio rankenos, kad degalų perteklius būtų pašalintas. Taip pat nusauskite uždegimo žvakės elektrodo dalį.
- Jeigu variklyje kyla kibirkštis, bet jis užgęsta, arba vos tik užvedus variklį jis užgęsta, sugrąžinkite droselinės sklendės svirtį atgal į padėtį ATIDARYTI ir dar kartą kelis kartus patraukite už starterio rankenėlės, kad variklis užsivestų.
- Jeigu droselinės sklendės svirtį paliksite UŽDARYMO padėtyje ir tiktai pakartotinai trauksite starterio rankeną, bus įsiurbta per daug degalų ir variklį bus sunku užvesti.
- Bereikalingai nedidinkite variklio sūkių pašildymo proceso metu.

**B: Šiltasis užvedimas**

- 1) Droselinės sklendės svirtis privalo būti iki galo atidaryta.
- 2) Keliskart paspauskite degalų tiekimo siurbį.
- 3) Droselinės sklendės svirtis turi būti tuščiosios eigos padėtyje.
- 4) Stipriai patraukite už rankinio užvedimo starterio rankenėlės.

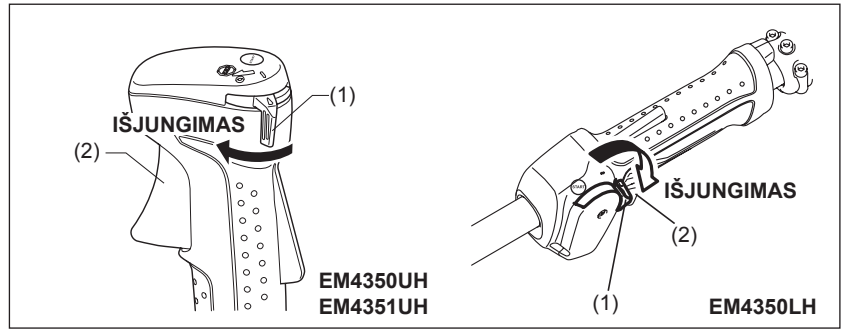
- 5) Jeigu variklį sunku užvesti, atleiskite blokavimo svirtį (3), patraukite droselinės sklendės svirtį (2) ir nustatykite I-O jungiklį (1) droselinės sklendės fiksavimo padėtyje. Laikydami I-O jungiklį (1), atleiskite droselinės sklendės svirtį (2) ir blokavimo svirtį (3). Paskui patraukite už starterio rankenėlės. **ĮSPĖJIMAS:** Atkreipkite dėmesį, kad pjovimo įrankis tuoj pat pradės sukstis.

- 6) Varikliui užsivedus, atleiskite blokavimo svirtį (3) ir patraukite droselinės sklendės svirtį (2) bei atleiskite jas, kad variklis imtų veikti tuščiąja eiga.



## IŠJUNGIMAS

- 1) Visiškai atleiskite droselinės sklendės svirtį (2) ir, kai variklio sūkliai sumažės, nustatykite I-O jungiklį (1) į išjungimo padėtį STOP – variklis užges.
- 2) Išjungus variklį, pjovimo įrankis dar kurį laiką sukasi. Palaukite, kol jis visiškai sustos.

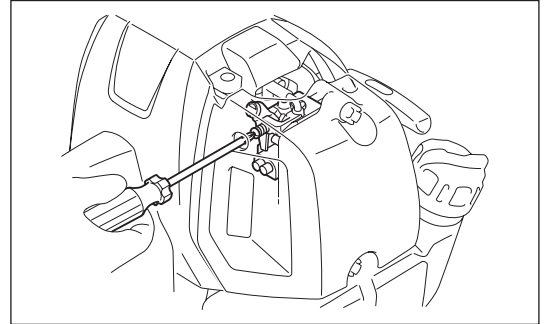


## TUŠČIOSIOS EIGOS SŪKIŲ REGULIAVIMAS

Jeigu reikia pareguliuoti tuščiosios eigos sūkius, tai atlikite karbiuratoriaus reguliavimo varžtu.

## TUŠČIOSIOS EIGOS SŪKIŲ TIKRINIMAS

- Nustatykite 3 000 min<sup>-1</sup> tuščiosios eigos sūkius. Jeigu tuščiosios eigos sūkius reikia pakeisti, pareguliuokite varžtą (parodytas dešinėje) galiniu raktu.
- Norėdami tuščiosios eigos sūkius padidinti, varžtą sukite pagal laikrodžio rodyklę. Norėdami tuščiosios eigos sūkius sumažinti, varžtą sukite prieš laikrodžio rodyklę.
- Karbiuratorius būna sureguliuotas gamykloje. Visgi po kelių panaudojimų tuščiosios eigos sūkius reikia pakartotinai pareguliuoti.

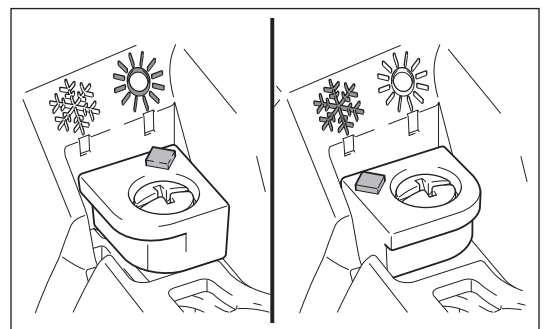
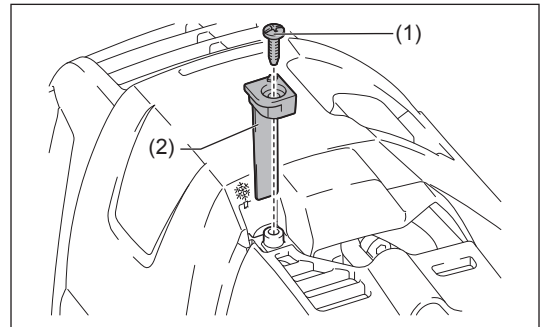


## KARBIURATORIAUS UŽŠALIMO PREVENCIJA

**PERSPĖJIMAS:** Kai aplinkos oro temperatūra yra aukštesnė nei 10°C, užraktą visada nustatykite į įprastą (saulės ženklo) padėtį. Antraip variklis gali perkaisti ir sugesti.

Kai aplinkos oro temperatūra yra žema, o drėgnumas didelis, karbiuratoriuje esantys vandens garai gali užšalti; tuomet variklis gali veikti nepastoviai (karbiuratoriaus užšalimas). Jeigu reikia, pakeiskite užrakto nuostatą, atlikdami šiuos veiksmus.

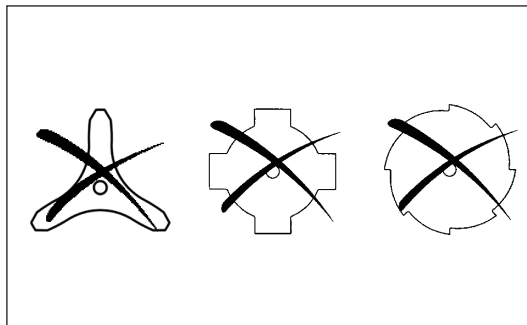
1. Išsukite varžtą (1).
2. Pakeiskite užrakto (2) kryptį, atlikdami šiuos veiksmus:
  - Aplinkos oro temperatūra yra aukštesnė nei 10°C: nustatykite užraktą į įprastą padėtį (ties saulės ženklu).
  - Aplinkos oro temperatūra yra 10°C arba žemesnė: nustatykite užraktą į apsaugos nuo užšalimo padėtį (ties sniegės ženklu).
3. Užveržkite varžtą.



## PJOVIMO ĮRANKIO GALANDIMAS

**PERSPĖJIMAS:** Paveikslėlyje pavaizduotų pjovimo įrankių galąsti negalima. Galandant rankiniu būdu, pjovimo įrankis bus išbalansuotas, atsiras vibracija ir įrenginys suges.

**PASTABA:** norint pailginti pjovimo peilio tarnavimo laiką, jį galima vieną kartą apversti, kad vienodai nudiltų abi jo ašmenų pusės.



### NAILONINĖ PJOVIMO GALVUTĖ

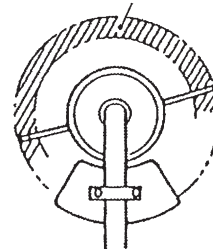
Nailoninė pjovimo galvutė yra dvigubos vielos žoliapjovės galvutė, kuri turi specialų paleidimo (stuktelint) ir padavimo mechanizmą.

Nailoninę pjovimo galvutę stuktelėjus į žemę, nailoninė pjovimo galvutė automatiškai tiekis tinkamo ilgio nailoninę vielą, keičiant išcentrinę jėgą, kurią sukuria didinami arba mažinami sūkliai.

#### Naudojimas

- Padidinkite nailoninės pjovimo galvutės sukimosi greitį maždaug iki 6 000 min<sup>-1</sup>.  
Nestipriai stuktelėkite nailoninę pjovimo galvutę į žemę.
- Veiksmingiausia pjovimo sritis yra užtušuojoje vietoje.
- Jeigu nailoninė viela netiekia, atsukite / pakeiskite nailoninę vielą, atlikdami veiksmus, aprašytus skyriuje „Nailoninės vielos keitimas“.

Veiksmingiausia pjovimo vieta



### Nailoninės vielos (naudojanmos STUKTELINT IR TIEKIANT) keitimas

**ĮSPĖJIMAS:** Įsitinkinkite, kad nailoninės pjovimo galvutės gaubtas yra tinkamai pritvirtintas prie korpuso, kaip aprašyta toliau. Tinkamai neuždėjus apsauginio gaubto, nailoninė pjovimo galvutė gali nuskristi ir sunkiai sužeisti vartotoją.

Įspauskite korpuso skląstis į vidų ir pakelkite aukštyn, kad galėtumėte nuimti apsauginį gaubtą.

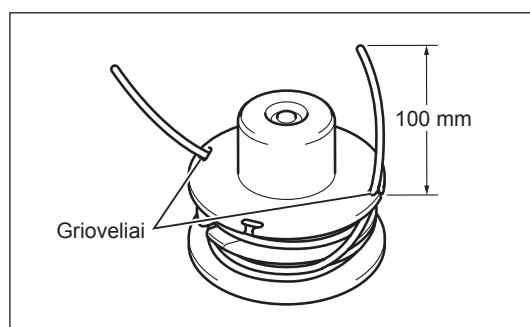
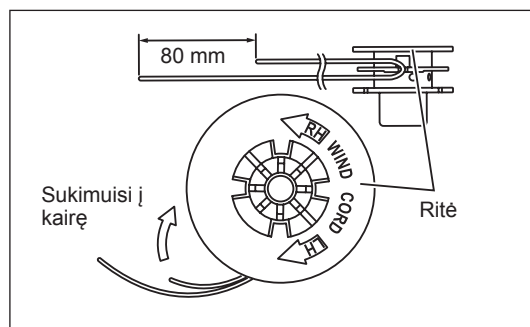
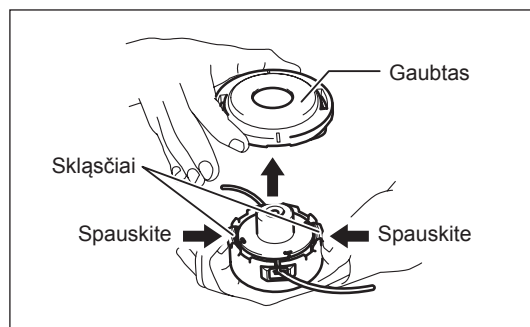
Išmeskite likusią nailoninę vielą.

Sulenkite naują nailoninę vielą, padarydami kilpą ir užkabinkite ją ant ritės centre, tarp 2 griovelėlių esančios įrantos, skirtos nailoninei vielai užkabinti.

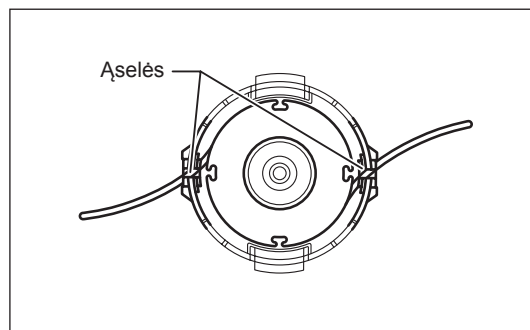
Vienas vielos galas turi būti maždaug 80 mm ilgesnis už kitą galą.

Tvirtai suvyniokite abu galus ant ritės, vyniodami juos kryptimi, pažymėta ant galvutės, kur kairiąją kryptį parodo LH.

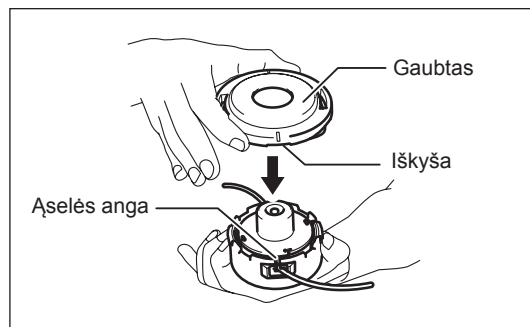
Suvyniokite beveik visą vielą, palikdami 100 mm galus, laikinai įkišdami juos abejose ritės kraštelių pusėse esančiose įrantose.



Įdėkite ritę į korpusą taip, kad ritės grioveliai ir išsikišimai atitiktų korpuso griovelius ir išsikišimus. Ritės šone esančios raidės turi būti viršuje. Dabar atkabinkite vielos galus, kurie buvo laikinai prikabinėti, ir įkiškite vielos galus pro ašeles, kad jie išlįstų pro korpusą.

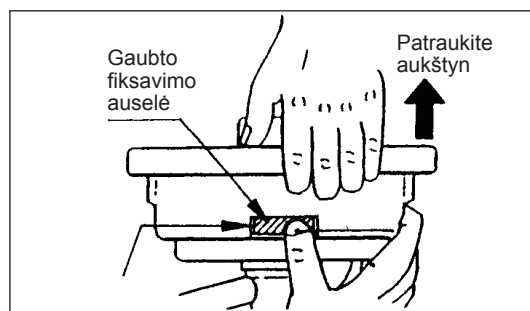


Sulyginkite išsikišimus apatinėje gaubto dalyje su ašelių angomis. Tuomet tvirtai užspauskite gaubtą ant korpuso, kad jis užsifikuotų. Įsitikinkite, ar skląstys visiškai įkištos į gaubtą.

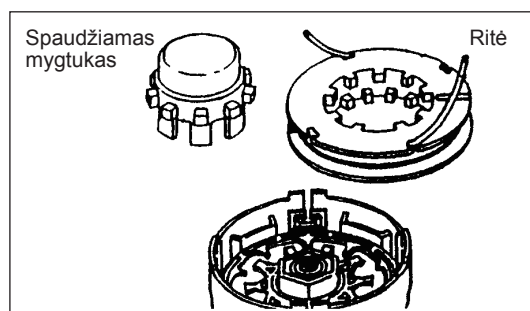


### Nailoninės vielos (naudojamos VISIŠKAI AUTOMATIŠKAI) keitimas

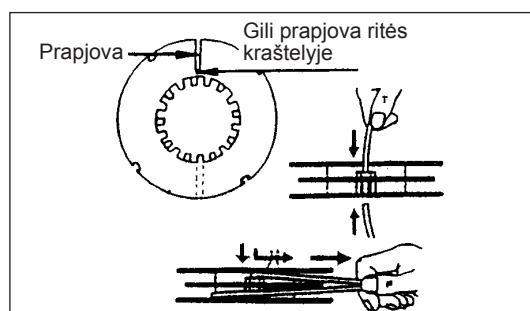
1. Paspauskite du gaubtą fiksuojančias ašeles, esančias skirtingose korpuso pusėse, ir nuimkite korpuso gaubtą.



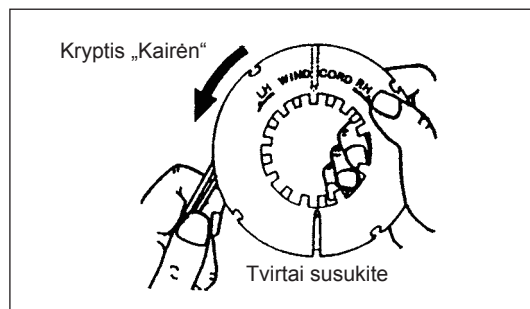
2. Nuimkite nuo korpuso spaudžiamą mygtuką ir ritę.



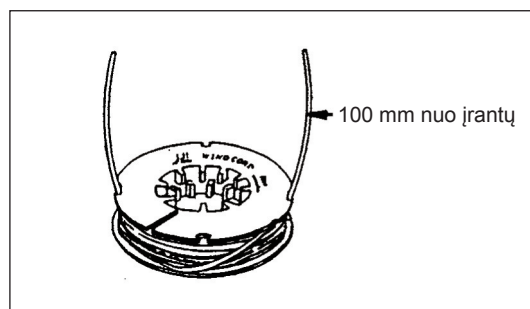
3. Kuo giliau įkiškite kiekvieną pjovimo vielos galą į ritės krašteliuose padarytas prapjovas. Prakiškite vielas į ritėje padarytus griovelius, prakišdami pro kiekvieną kraštelio prapjovą.



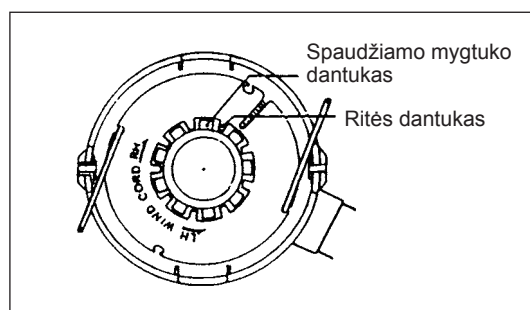
4. Tvirtai susukite vielas ant ritės kraštelio nurodyta kryptimi, pagal kairėn nukreiptą rodyklę. Nesukryžiuokite vielų.



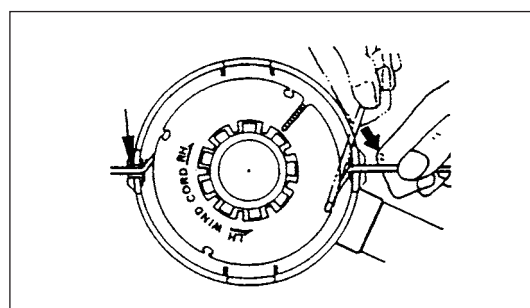
5. Suvyniokite beveik visą vielą, palikdami 100 mm (3–15/16 col.) galus, laikinai įkišdami juos abejose ritės kraštelių pusėse esančiose įrantose.



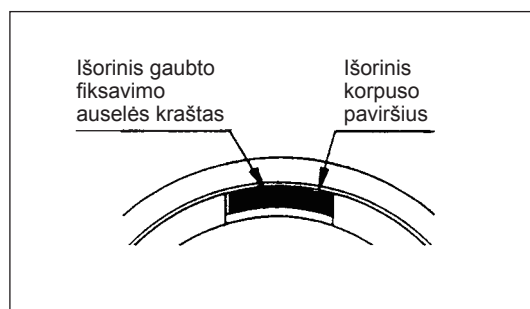
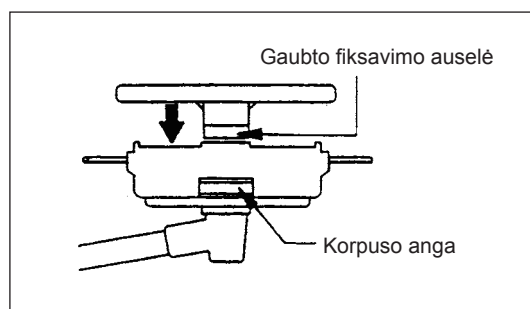
6. Uždėkite spaudžiamą mygtuką ant korpuso įvorės, kad jis, atremtas į spyruoklę, galėtų laisvai judėti aukštyn ir žemyn. Įdėkite ritę į korpusą, sulygiuodami ritės ir mygtukų dantukus, kaip krumpliaračius.



7. Prakiškite pjovimo vielos galus pro kilpeles.



8. Uždėkite gaubtą ant korpuso, sulygiuokite gaubto auseles ir angas. Įsitikinkite, kad gaubtas tiksliai užtvirtintas ant korpuso. Išorinis gaubto fiksavimo auselės kraštas ir išorinis korpuso paviršius turi būti viename lygyje.



## TECHNINĖS PRIEŽIŪROS INSTRUKCIJA

**PERSPĖJIMAS:** Prieš pradėdami be kokius įrenginio reguliavimo, remonto ar valymo darbus, visuomet išjunkite variklį ir atjunkite uždegimo žvakės jungtį nuo žvakės (žr. skyrių „Uždegimo žvakės patikrinimas“).  
Visuomet mūvėkite apsaugines pirštines!

Norėdami užtikrinti ilgą įrenginio tarnavimo laiką ir išvengti jo gedimų, reguliariai atlikite toliau nurodytus techninės priežiūros darbus.

### Kasdienis tikrinimas ir techninė priežiūra

- Prieš pradėdami dirbti, patikrinkite, ar neatsilaisvino įrenginio varžtai arba, ar netrūksta kokių nors dalių. Ypač atkreipkite dėmesį į metalinio peilio arba nailoninės pjovimo galvutės tvirtumą.
- Prieš pradėdami darbą, visuomet patikrinkite, ar neužkištos oro įleidimo angos ir veleno briaunos. Jeigu reikia, išvalykite jas.
- Kasdien po naudojimo atlikite šiuos tikrinimo darbus:
  - Nuvalykite įrenginį ir apžiūrėkite jį, ar nėra degimų.
  - Išvalykite oro filtrą. Dirbdami ten, kur kyla labai daug dulkių, valykite filtrą keliskart per dieną.
  - Patikrinkite, ar neapgadintas peilis arba nailoninė pjovimo galvutė, ir įsitikinkite, ar jie tvirtai sumontuoti.
  - Patikrinkite, ar skirtumas tarp tuščiosios eigos ir darbo greičio yra pakankamas, kad įsitikintumėte, jog varikliui veikiant be apkrovų, pjovimo įrankis nesisuka (jei reikia, sumažinkite tuščiosios eigos apsukas).
- Jei varikliui veikiant be apkrovų pjovimo įrankis vis tiek sukūšį, susisiekite su artimiausiu įgaliotuoju techninio aptarnavimo atstovu.
- Patikrinkite, kaip veikia I-O jungiklis, blokavimo svirtis, droselinės sklendės svirtis ir fiksavimo mygtukas.

### VARIKLIO ALYVOS KEITIMAS

Nešvari variklio alyva trumpina variklio tarnavimo laiką. Būtinai reguliariai tikrinkite alyvos kokybę ir jos lygį.



**ĮSPĖJIMAS:** Išjungus variklį, variklis ir variklio alyva vis dar būna įkaitę. Palaukite, kol variklis ir variklio alyva pakankamai atvės. Antraip galite nusideginti odą.

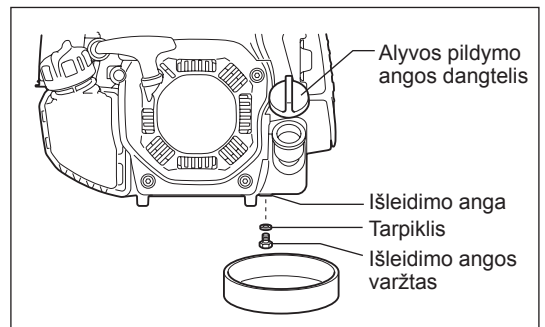
**PASTABA:** Jei alyvos pripilsite per daug, ji gali būti užteršta arba ji gali užsidegti nuo benzino garų. Išjungę variklį, palaukite, kol variklio alyva sutekės atgal į alyvos baką, kad tiksliai nustatytumėte alyvos lygį.

**Keitimo intervalas:** po pirmų 20 darbo valandų, o paskui kas 50 darbo valandų.

**Rekomenduojama alyva:** API klasifikacijos alyva, kurios klampumas pagal SAE yra 10W-30, SF arba aukštesnės klasės (skirta keturtakčiams automobilių varikliams)

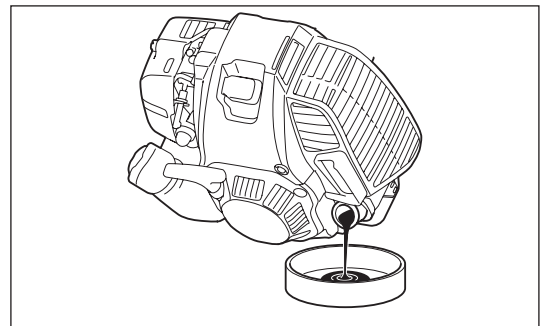
Keisdami, atlikite šiuos veiksmus.

- 1) Įsitikinkite, ar tvirtai užsukote degalų bako dangtelį.
- 2) Pastatykite po išleidimo anga didelį indą (puodą ar pan.).
- 3) Atsukite išleidimo angos varžtą, tuomet atsukite alyvos dangtelį ir išleiskite alyvą pro išleidimo angą.  
Šiuo metu būtinai tinkamai uždėkite išleidimo angos varžto tarpiklį ir būkite atsargūs, kad nesuteptumėte kitų nuimtų dalių.
- 4) Išleidę visą alyvą, sumonuokite tarpiklį ir išleidimo angos varžtą ir tvirtai įsukite išleidimo angos varžtą, kad jis neatsilaisvintų ir alyva neištekėtų.  
[Veržimo momentas: 5 N·m]  
\* Skudurėliu nuvalykite alyvą nuo įsukto varžto ir įrenginio.



#### Alternatyvus alyvos išleidimo būdas

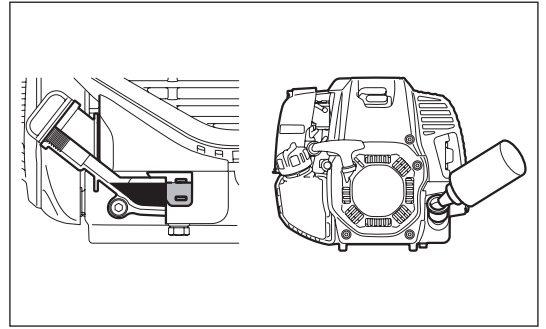
Atsukite alyvos dangtelį, paverskite įrenginį alyvos filtro angos link ir išleiskite alyvą.  
Išleiskite alyvą į indą.



- 5) Pastatykite variklį lygiai ir palaipsniui iki viršutinės ribos žymės pripilkite švarios alyvos.
- 6) Pripylę, tvirtai užsukite alyvos dangtelį, kad jis neatsilaisvintų ir alyva neištekėtų.  
Jeigu alyvos dangtelis nebus tvirtai užsuktas, pro jį gali tekėti alyva.

### NURODYMAI, KAIP TEPTI

- Niekomet nepilkite variklio alyvos į šiukšlių dėžę, ant žemės ar į nuotėkų vamzdį. Alyvos išmetimo taisyklės reglamentuojamos pagal įstatymą. Išpildami seną alyvą, visuomet vadovaukitės atitinkamais įstatymais ir reglamentais. Jei kiltų kokių nors klausimų, susisiekite su įgaliotuoju techninio aptarnavimo atstovu.
- Alyvos kokybė prastėja net tada, kai ji nenaudojama. Reguliariai tikrinkite ir keiskite alyvą (pakeiskite alyvą kas 6 mėnesius).



### ORO FILTRO VALYMAS



**ĮSPĖJIMAS:** Išjunkite variklį; nepilkite degalų prie atviros liepsnos šaltinių ir nerūkykite.

**Valymo ir tikrinimo intervalas: kasdien (kas 10 darbo valandų)**

- Pasukite droselinės sklendės valdymo svirtį į visiško uždarymo pusę ir saugokite karbiuratorių nuo dulkių ar purvo.

#### Oro filtro dangtelio atidarymas

- Atsukite du tvirtinimo varžtus (1).
- Patraukite ir nuimkite oro filtro dangtelį (2).

#### Valymo elementas

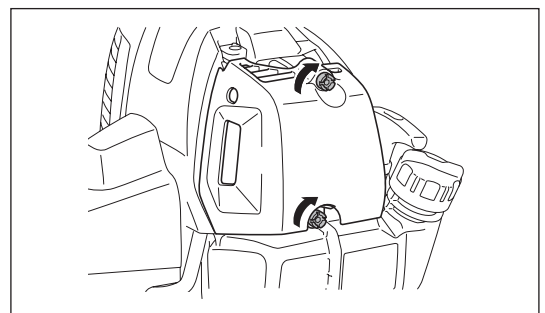
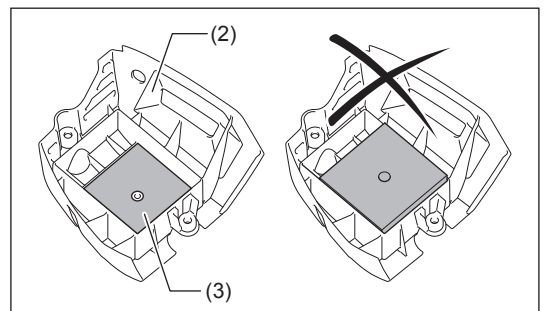
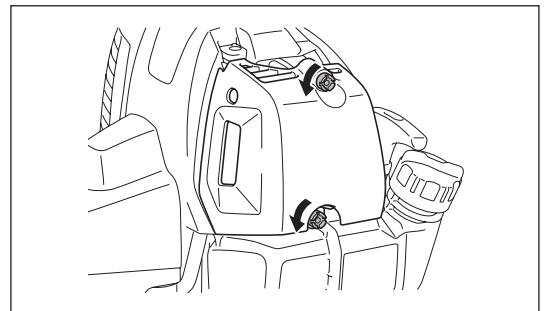
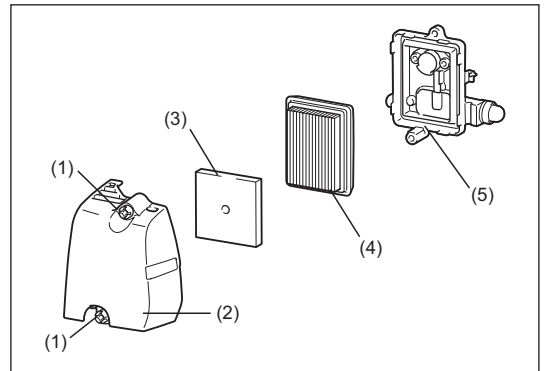
- Išimkite elementus (3, 4) ir patapšnokite juos, kad nukristų purvas.
- Esant smarkiam sutepimui:
  - 1) Nuimkite elementą (kempinę) (3), panardinkite ją į šiltą vandenį arba vandens ir neutralios plovimo priemonės tirpalą, paskui gerai jį išdžiovinkite. Plaudami jų negręžkite ir netrinkite.
  - 2) Atsargiai tapšnodami, iškratykite elementą (popierių) (4). Jeigu galite naudoti oro pūtimo pistoletą, pūskite suspaustą orą į elemento (popieriaus) vidų. Neplaukite elemento (popieriaus).
- Prieš pradėdami montuoti elementą (kempinę), būtina visiškai jį išdžiovinkite. Nepakankamai išdžiovinus elementą (kempinę), gali būti sunku užvesti variklį.
- Medžiagos skiaute nuvalykite ant oro filtro dangtelio ir tarpinės plokštelės (5) patekusią alyvą.

#### Oro filtro dangtelio uždarymas

- Įtaisykite elementą (kempinę) ir elementą (popierių). Iki galo įkiškite elementą (kempinę) į oro filtro dangtelį.
- Priveržkite oro filtro dangtelį dviem tvirtinimo varžtais.

### PASTABA:

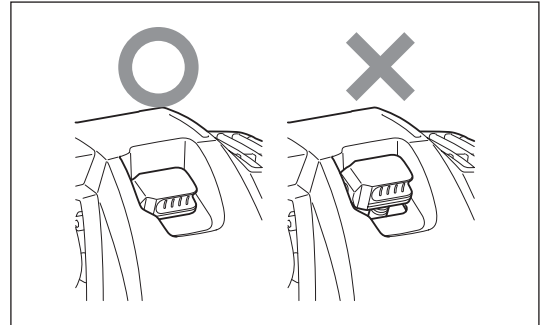
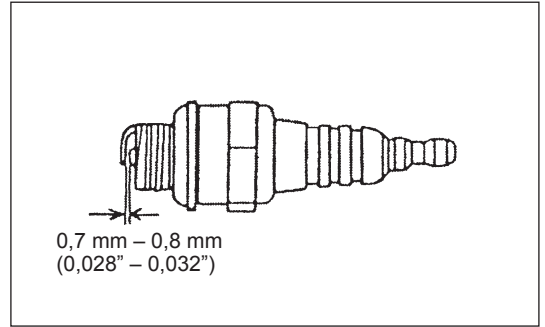
- Valykite elementus keliskart per dieną, jeigu jie labai užteršti dulkėmis. Purvini elementai mažina variklio galią ir sunkina variklio užvedimą.
- Nuvalykite ant elementų patekusią alyvą. Jeigu dirbsite į įrenginį įdėję elementus, nenuvalę nuo jų alyvos, oro filtre esanti alyva gali ištekėti ir užteršti aplinką.
- Nedėkite elementų ant žemės arba purvinoje vietoje. Kitaip jie susiteps arba užsiterš ir galės sugadinti variklį.
- Elementams valyti niekada nenaudokite degalų. Degalai juos sugadins.



## UŽDEGIMO ŽVAKĖS PATIKRINIMAS

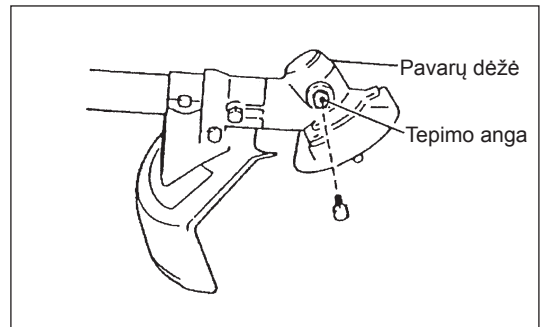
- Uždegimo žvakę montuokite arba išsukite naudodami tik pateiktą universalų veržliaraktį.
- Tarpelis tarp dvejų uždegimo žvakės elektrodų turi būti 0,7–0,8 mm (0,028"–0,032"). Jei tarpelis yra per didelis arba per mažas, pareguliuokite jį. Jei uždegimo žvakė yra apnešta suodžiais ar užteršta, kruopščiai nuvalykite ją arba pakeiskite nauja. Patikrinę tinkamai uždėkite žvakės dangtelį kaip pavaizduota.

**PERSPĖJIMAS:** Niekada nelieskite uždegimo žvakės jungties, kai variklis veikia (labai didelė įtampa gali sukelti elektros smūgį).



## TEPALO TIEKIMAS Į PAVARŲ DĖŽĘ

- Tepkite („Shell Alvania 2“ arba atitinkamu tepalu) pavarų dėžę pro tepimo angą kas 30 darbo valandų. (Originalaus „MAKITA“ tepalo galite įsigyti iš savo „MAKITA“ pardavimo atstovo.)



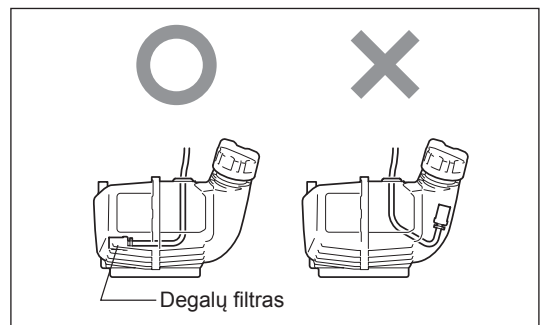
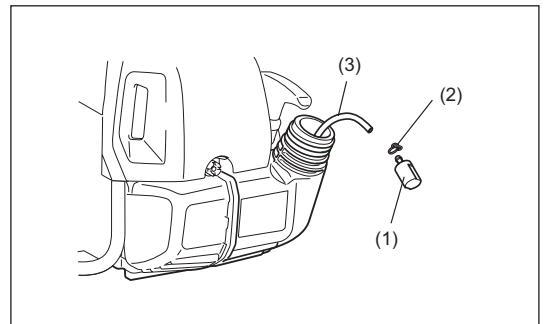
## DEGALŲ FILTRO VALYMAS

### ĮSPĖJIMAS: GRIEŽTAI DRAUDŽIAMA NAUDOTI BET KOKIAS DEGIAS MEDŽIAGAS

Valymo ir tikrinimo intervalas: kas mėnesį (kas 50 darbo valandų)

### Įsiurbimo galvutė degalų bake

- Įsiurbimo galvutės degalų filtras (1) naudojamas filtruoti degalus, tiekiamus į karbiuratorių.
- Reguliariai tikrinkite degalų filtrą. Padarykite kabliuką iš vielos ir pro degalų bako angą ištraukite juo įsiurbimo galvutę. Jeigu filtras būtų sukietėjęs arba užkimštas, pakeiskite jį nauju.
- Keiskite degalų filtrą bent kas tris darbo mėnesius, kad būtų užtikrintas pakankamas degalų tiekimas į karbiuratorių. Kitaip, esant degalų tiekimo trūkumui, variklis pradės gesti ir sumažės jo maksimalios apšukos.
- Patikrinę, išvalę arba pakeitę, užfiksuokite degalų filtrą ant degalų vamzdelio (3) žarnos spaustuku (2). Įstumkite degalų filtrą į patį degalų bako dugną.





## DEGALŲ VAMZDELIO KEITIMAS

### PERSPĖJIMAS: GRIEŽTAI DRAUDŽIAMA NAUDOTI BET KOKIAS DEGIAS MEDŽIAGAS

Valymo ir tikrinimo intervalas: kasdien (kas 10 darbo valandų)

Keitimas: kas metus (kas 200 darbo valandų)

Keiskite degalų vamzdelį kasmet, nesvarbu, kaip dažnai naudojate įrenginį. Ištekėję degalai gali sukelti gaisrą.

Jeigu tikrinami pastebėtumėte nuotėkį, tuoj pat pakeiskite degalų vamzdelį.

## VARŽTŲ, VERŽLIŲ IR SKLENDŽIŲ TIKRINIMAS

- Priveržkite atsilaisvinusias sklendes, veržles, varžtus ir pan.
- Patikrinkite, ar tvirtai užsukti degalų ir alyvos bakų dangteliai. Patikrinkite, ar nėra degalų ar alyvos nuotėkio.
- Norėdami saugiai dirbti, pakeiskite sugadintas dalis naujomis.

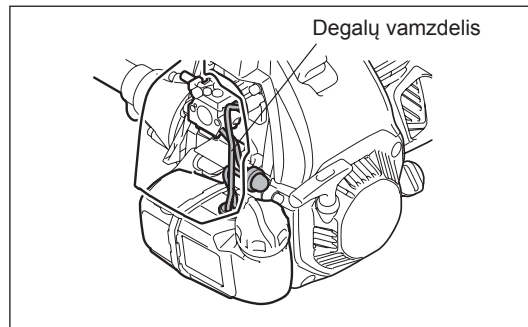
## DALIŲ VALYMAS

- Variklį visada švariai valykite skudurėliu.
- Valykite dulkes ar purvą nuo velenų briaunų. Ant briaunų susikaupę dulės ar purvas gali sukelti stūmoklių strigimą.

## TARPIKLIŲ IR SANDARIKLIŲ KEITIMAS

Jeigu ardote variklį, pakeiskite tarpiklius ir sandariklius.

Bet kokius techninė priežiūros arba reguliavimo darbus, nenurodytus ir neaprašytus šiame vadove, privalo atlikti tik įgaliotasis techninės priežiūros atstovas.



## SAUGOJIMAS

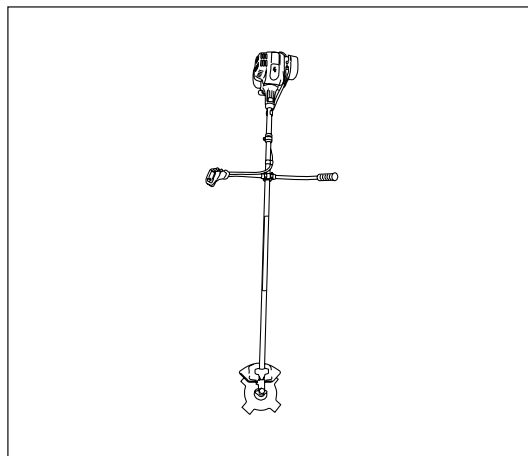


**ĮSPĖJIMAS:** Išjungus variklį, variklis vis dar būna įkaitęs. Išleisdami degalus, išjunkite variklį ir palaukite, kol jis atvės. Antraip galite nusideginti odą ir (arba) sukelti gaisrą.



**PAVOJUS:** Kai įrenginys ilgai nenaudojamas, išleiskite iš degalų bako ir karbiuratoriaus visus degalus ir laikykite jį sausoje, švarioje vietoje.

- Išleiskite degalus iš degalų bako ir karbiuratoriaus, kaip nurodyta toliau:
  - 1) Nuimkite degalų bako dangtelį ir išleiskite degalus. Jei degalų bake lieka nuosėdų, išvalykite jas.
  - 2) Iš vielos sulenktu kabliuku ištraukite degalų filtrą pro pildymo angą.
  - 3) Spauskite degalų tiekimo siurbį, kol iš jo bus išpumpuoti visi degalai, ir išleiskite į degalų baką grąžintus degalus.
  - 4) Įdėkite filtrą į degalų baką ir tvirtai užsukite degalų bako dangtelį.
  - 5) Tuomet užveskite variklį ir leiskite jam veikti tol, kol jis užges.
- Ištraukite uždegimo žvakę ir įlašinkite kelis lašus alyvos pro uždegimo žvakės angą.
- Švelniai patraukite už starterio rankenėlės, kad variklio alyva būtų paskirstyta visame variklyje, ir vėl sumontuokite uždegimo žvakę.
- Uždėkite gaubtą ant metalinio peilio.
- Apskritai prietaisą laikykite horizontalioje padėtyje arba, jeigu tai neįmanoma, prietaisą padėkite taip, kad pjovimo įrankis būtų žemiau variklio. Atkreipkite dėmesį, kaip dedate prietaisą, kad jis nenugriūtų. Antraip jis gali jus sužeisti.
- Išpiltus degalus laikykite specialiame degalų bake, gerai vėdinamoje patalpoje.



### Į ką reikėtų atkreipti dėmesį pradedant naudoti ilgai nenaudotą įrenginį

- Prieš užvesdami įrenginį po to, kaip jis buvo ilgai nenaudojamas, būtinai pakeiskite alyvą (žr. 158 psl.). Alyvos kokybė prastėja net tada, kai įrenginys nenaudojamas.

Naudojimo laikas Elementas		Prieš naudojimą	Pripylus degalų	Kasdien (kas 10 darbo val.)	kas 30 darbo val.	kas 50 darbo val.	kas 200 darbo val.	Prieš paliekant sandėliuoti	Atitinkamas psl.
Variklio alyva	Tikrinti/valyti	○							148
	Pakeiskite					○*1			158
Tvirtinimo dalys (varžtai, veržlės)	Tikrinti	○							160
Degalų bakas	Valyti/tikrinti	○							—
	Išleiskite degalus							○*3	161
Droselinės sklendės svirtis	Tikrinti, kaip veikia		○						—
Išjungimo jungiklis	Tikrinti, kaip veikia		○						158
Pjovimo įrankis	Tikrinti	○		○					145
Tuščioji eiga	Patikrinti/ pareguliuoti			○					154
Oro filtras	Išvalykite			○					159
Uždegimo žvakė	Tikrinti			○					160
Oro įleidimo angos ir variklio briaunų valymas	Valyti/tikrinti			○					161
Degalų vamzdelis	Tikrinti			○					161
	Pakeiskite						◎*2		—
Pavarų dėžės alyva	Papildyti				○				160
Degalų filtras	Valyti/keisti					○			160
Vožtuvų laisvumas (jsiurbimo ir šmetimo vožtuvai)	Patikrinti/ pareguliuoti						◎*2		—
Karbiuratorius	Išleiskite degalus							○*3	161

\*1 Pakeiskite po pirmųjų 20 darbo valandų.

\*2 Po 200 darbo valandų atiduokite įrenginį įgaliojamam techninės priežiūros atstovui arba įrenginių dirbtuvei, kad jį patikrintų.

\*3 Ištuštinę degalų baką, leiskite varikliui veikti tol, kol degalų neliks nei degalų sistemoje, nei karbiuratoriuje, ir variklis užges.

## TRIKČIŲ DIAGNOSTIKA

Prieš kreipdamiesi dėl remonto darbų, patikrinkite gedimus patys. Jei aptinkate degimą, sureguliuokite įrenginį, kaip aprašyta šiame vadove. Niekada neardykite ir neišmontuokite jokių dalių, jei tai prieštarauja instrukcijoje pateiktam aprašymui. Dėl remonto darbų susisiekiu su įgaliotuoju techninio aptarnavimo atstovu arba vietos pardavimo atstovu.

Sutrikimas	Galima priežastis (veikimo sutrikimas)	Galimas sprendimo būdas
Variklis neužsiveda	I-O jungiklis nustatytas ties sustabdymo padėtimi STOP.	Nustatykite I-O jungiklį į DARBO padėtį
	Nepanaudotas degalų tiekimo siurblys	Paspauskite 7–10 kartų
	Per lėtai patraukta už starterio virvės	Patraukite stipriai, staigiai
	Trūksta degalų	Pripilkite degalų
	Užkimštas degalų filtras	Išvalykite
	Sulenktas degalų vamzdelis	Ištiesinkite degalų vamzdelį
	Seni degalai	Naudojant senus degalus, variklį sunkiau užvesti. Pripilkite švaresnių degalų. (Rekomenduojama keisti: kas 1 mėnesį)
	Pernelyg didelis degalų įsiurbimas	Nustatykite droselinės sklendės valdymo svirtį iš vidutinio greičio į didelio greičio padėtį ir traukite starterio rankenėlę tol, kol variklis užsives. <b>Užvedus variklį, pradeda sukintis metalinis peilis. Būkite atsargūs, kad metalinis peilis jūsų nesužeistų.</b> Jeigu variklis neužsiveda, ištraukite uždegimo žvakę, nusauskite elektrodą ir vėl tinkamai sumontuokite dalis. Tuomet užveskite variklį, kaip nurodyta.
	Nuimtas žvakės dangtelis	Tvirtai pritvirtinkite
	Užteršta uždegimo žvakė	Išvalykite
	Netinkamas uždegimo žvakės tarpelis	Pareguliuokite tarpelį
	Kitoks uždegimo žvakės gedimas	Pakeiskite
	Netinkamai veikiantis karbiuratorius	Kreipkitės į įgaliotuosius atstovus, kad patikrintų ir pataisytų.
	Neįmanoma ištraukti starterio virvės	Kreipkitės į įgaliotuosius atstovus, kad patikrintų ir pataisytų.
Netinkamai veikianti perdavimo sistema	Kreipkitės į įgaliotuosius atstovus, kad patikrintų ir pataisytų.	
Variklio greitai užgęsta Nedidėja variklio apsuokos	Variklis nepakankamai įšyla	Atlikite pašildymo operaciją
	Droselinės sklendės valdymo svirtis yra nustatyta į UŽDARYMO padėtį, nors variklis yra pašildytas.	Nustatykite į ATIDARYMO padėtį
	Užkimštas degalų filtras	Išvalykite
	Užterštas arba užkištas oro filtras	Išvalykite
	Netinkamai veikiantis karbiuratorius	Kreipkitės į įgaliotuosius atstovus, kad patikrintų ir pataisytų.
	Netinkamai veikianti perdavimo sistema	Kreipkitės į įgaliotuosius atstovus, kad patikrintų ir pataisytų.
Metalinis peilis nesisuka	Atsilaisvino metalinio peilio tvirtinimo veržlė	Tvirtai privežkite
	↓ Metalinis peilis įsuka šakeles arba gaubtas neleidžia išsklaidyti nupjautos žolės.	Pašalinkite pašalines medžiagas
	↓ <input type="text" value="Tuoj pat išjunkite variklį"/>	Netinkamai veikianti perdavimo sistema Kreipkitės į įgaliotuosius atstovus, kad patikrintų ir pataisytų.
Pagrindinis blokas neišprastai vibruoja.	↓ Sulaužytas, sulankstytas arba nusidėvėjęs metalinis peilis	Pakeiskite metalinį peilį
	↓ Atsilaisvino metalinio peilio tvirtinimo veržlė	Tvirtai privežkite
	↓ Pasislinkusi išgaubta metalinio peilio dalis ir metalinio peilio atraminė dalis.	Tvirtai pritvirtinkite
	↓ <input type="text" value="Tuoj pat išjunkite variklį"/>	Netinkamai veikianti perdavimo sistema Kreipkitės į įgaliotuosius atstovus, kad patikrintų ir pataisytų.
Metalinis peilis nesustoja nedelsiant	↓ Didelės apsuokos varikliui veikiant be apkrovų	Pareguliuokite
	↓ <input type="text" value="Tuoj pat išjunkite variklį"/>	Atjunkite droselinės sklendės laidą Tvirtai pritvirtinkite
	↓ <input type="text" value="Tuoj pat išjunkite variklį"/>	Netinkamai veikianti perdavimo sistema Kreipkitės į įgaliotuosius atstovus, kad patikrintų ir pataisytų.
Variklis neišsijungia	↓ <input type="text" value="Pakeiskite variklį veikti tuščiaja eiga ir nustatykite droselinės sklendės valdymo svirtį į UŽDARYMO padėtį"/>	Nukritusi jungtis Tvirtai pritvirtinkite
	↓ <input type="text" value="Pakeiskite variklį veikti tuščiaja eiga ir nustatykite droselinės sklendės valdymo svirtį į UŽDARYMO padėtį"/>	Netinkamai veikianti elektros sistema Kreipkitės į įgaliotuosius atstovus, kad patikrintų ir pataisytų.

Jie variklis neužsiveda po jo pašildymo operacijos:

Jei neaptinkate jokių gedimų, atidarykite droselinę sklendę maždaug 1/3 ir paleiskite variklį.

Täname, et ostsite MAKITA mootoriga aiatööriista. Meil on hea meel, et saame teie hoolde usaldada MAKITA toote, mis on valmistatud pikaajalise arendustöö ning paljude aastate teadmiste ja kogemuste rakendamise tulemusena. Palun lugege käesolevat brošüüri, milles viidatakse üksikasjalikult erinevatele punktidele, mis tõestavad seadme silmapaistavat suutlikkust. Selle abil saavutate oma MAKITA seadmega töötamisel parima tulemuse.



Sisukord	Lehekülg
Sümbolid.....	164
Ohutusjuhised.....	165
Tehnilised andmed .....	169
Osade nimetused .....	170
Käepideme paigaldamine .....	171
Kaitsekatte paigaldamine .....	172
Metallist löiketera või nailonist löikepea paigaldamine .....	174
Enne seadme käivitamist.....	175
Seadme õige käsitlemine .....	177
Olulised punktid seadmega töötamisel ja seiskamine.....	179
Löikeriista teritamine.....	182
Hooldusjuhendid.....	185
Hoiustamine.....	188

## SÜMBOLID

Kasutusjuhendis on kasutatud järgmisi sümboleid.

	Lugege kasutusjuhendit ning järgige hoiatusi ja ettevaatusabinõusid!		Ärge lubage kõrvalisi isikuid ja lemmikloomi tööpiirkonda!
	Olge äärmiselt ettevaatlik ja tähelepanelik!		Kandke kaitsekiivrit, kaitseprille ja kuulmiskaitsevahendeid!
	Keelatud!		Löikeriista maksimaalne lubatud kiirus
	Hoidke turvadistsantsi!		Kütus (bensiin)
	Eemalepaiskuvate esemete oht!		Mootori käivitamine
	Tagasilööök!		Avariiseiskamine
	Suitsetamine keelatud!		Esmaabi
	Hoiduge lahtise tule eest!		SISSSELÜLITAMINE/KÄIVITAMINE
	Kandke kaitsekindaid!		VÄLJALÜLITAMINE/SEISKAMINE
	Kandke tugevaid libisemiskindla tallaga jalatseid. Kandke terasest varbakaitsemega kaitsejalatseid!		SEGUKLAPI LUKU ASEND

## Üldised juhised

- Lugege käesolev juhend enne tööriista kasutamist läbi, et omandada seadme käsitlemise põhiteadmised. Ebapiisavalt informeeritud kasutajad võivad seadme vale käsitlemise tõttu seada ohtu nii iseennast kui ka teisi isikuid.
- Aiatööriista võib anda kasutamiseks ainult inimestele, kellel on nimetatud seadmega töötamise eelnev kogemus. Andke kasutusjuhend alati kaasa.
- Esmakordsed kasutajad peaksid müügiesindajal laskma endale tutvustada võsalõikurite tööpõhimõtteid ja omadusi, et ennast seadme käsitlemisega kurssi viia.
- Lastel ja alla 18-aastastel noorukitel ei ole lubatud seadmega töötada. Üle 16-aastased isikud võivad väljaõppe otstarbel ja kvalifitseeritud juhendaja järelevalve all seadet siiski kasutada.
- Seadme kasutamisel tuleb olla ülimalt ettevaatlik ja tähelepanelik.
- Seadet kasutavad inimesed peavad olema heas füüsilises seisundis. Töötage rahulikult ja ettevaatlikult. Seadme kasutaja on vastutav kolmandate isikute ees.
- Ärge kasutage seadet kunagi siis, kui olete tarvitanud alkoholi või ravimeid, või kui tunnete ennast väsinuna või olete haige.
- Riiklikud määrused võivad seada piiranguid antud seadme kasutamisele.

## Seadme kavandatud kasutus

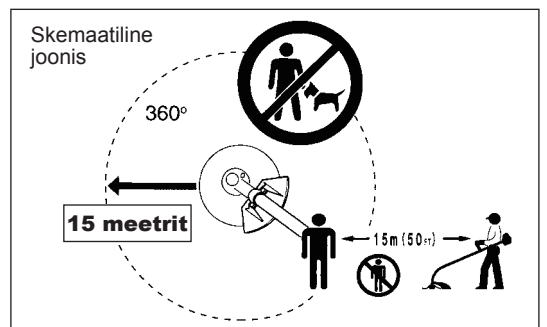
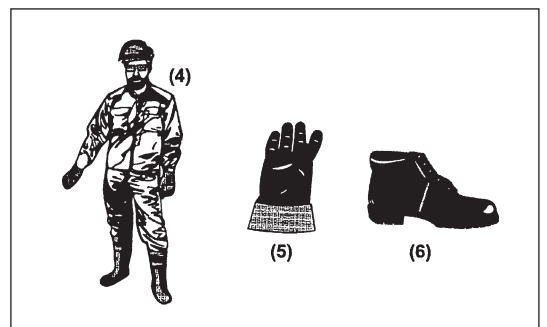
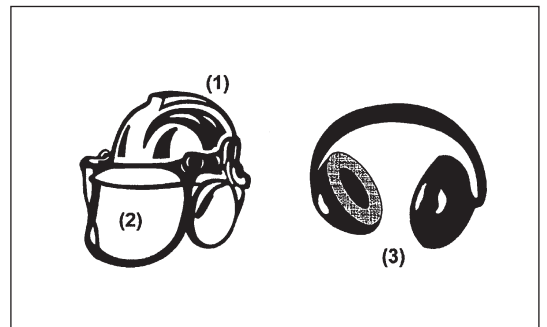
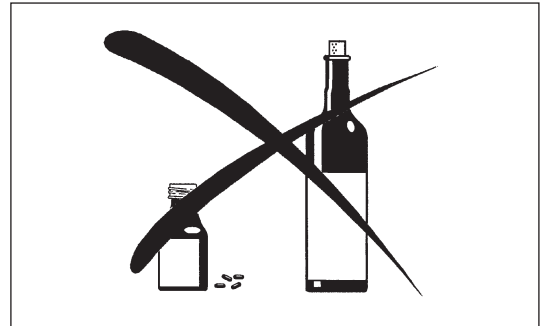
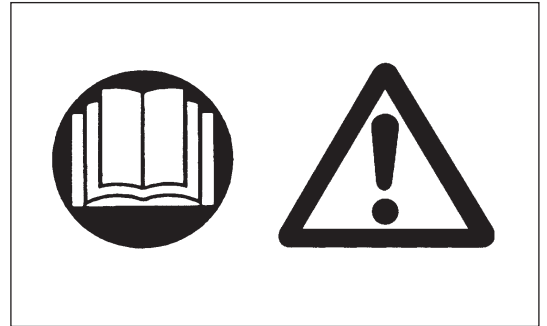
- Seade on mõeldud ainult muru, umbrohu, võsa, alusmetsa lõikamiseks. Seda ei tohiks kasutada mitte mingil muul eesmärgil, nagu näiteks servade piiramine või heki pügamine, sest see võib põhjustada vigastusi.

## Isikukaitsevahendid

- Kantav riietus peab vastama töö iseloomule ja olema sobilik, s.t see peaks olema keha järgiv, kuid ei tohiks takistada töötamist. Ärge kandke ehteid ega riietust, mis võivad takerduda pöösastesse või võsasse.
- Et vältida pea-, silma-, käe- ja jalavigastusi ning selleks, et kaitsta oma kuulmiselundeid, tuleb seadmega töötamisel kasutada järgmist kaitsevarustust ja -riietust.
- Kandke alati kaitsekiivrit, kui esineb kukkuvate esemete oht. Kaitsekiivrit (1) tuleb regulaarselt kontrollida vigastuste suhtes ning asendada see vähemalt iga 5 aasta järel. Kasutage ainult heakskiidetud kaitsekiivreid.
- Kiivri (või kaitseprillide) näokate (2) kaitseb nägu laialipaiskuvate lõikamisjääkide ja kivide eest. Seadmega töötamisel kandke alati kaitseprille või näokatet, et vältida silmade vigastamist.
- Kandke nõuetekohaseid kuulmiskaitsevahendeid, et vältida kuulmise kahjustamist (kõrvaklapid (3) kõrvatropid jms).
- Töökombinesoon (4) kaitseb laialipaiskuvate kivide ja lõikamisjääkide eest. Meie soovitame kasutajal kindlasti kanda spetsiaalset töökombinesooni.
- Kaitsekindad (5) on osa ettenähtud turvavarustusest ning neid tuleb seadmega töötamisel alati kasutada.
- Kasutades seadet, kandke vastupidavaid mittelibiseva tallaga jalanõusid (6). See kaitseb kehavigastuste eest ning tagab kindla jalgealuse.

## Võsalõikuri käivitamine

- Palun jälgige, et 15-meetrises tööpiirkonnas ei oleks lapsi ega teisi isikuid, jälgige ka tööpiirkonna lähedal olevaid loomi.
- Enne kasutamist kontrollige alati, et seade oleks töökorras. Kontrollige lõikeriista kinnitust, kas seguklapi hoob toimib hõlpsasti ja kas seguklapi hoova lukk on töökorras.
- Lõikeriist ei tohi tühikäigul kaasa pöörelda. Kui kahtlete, siis kontrollige reguleerimist koos oma müügiesindajaga. Kontrollige, kas käepidemed on puhtad ja kuivad, ning testige käivitamise/seiskamise lüliti funktsioneerimist.

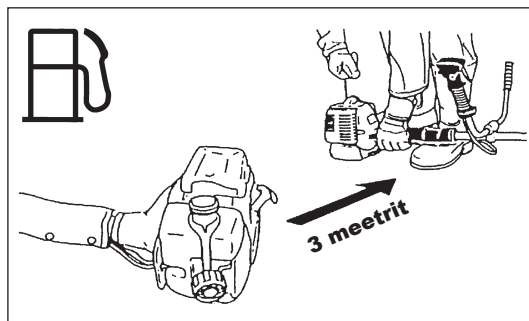
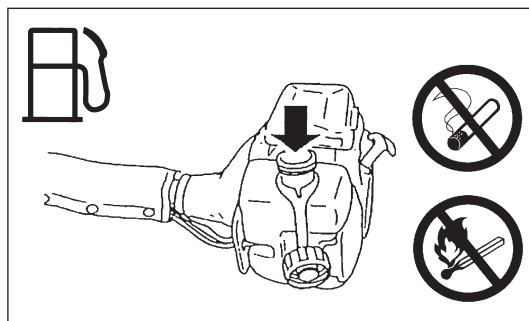
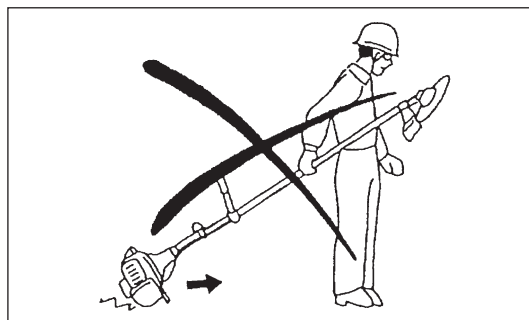
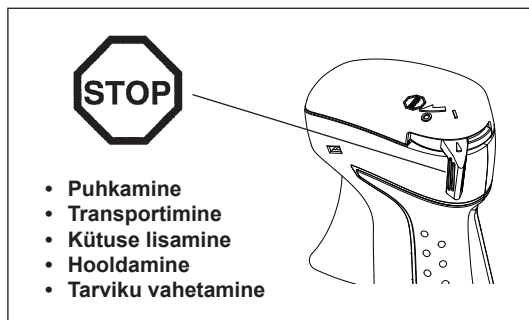
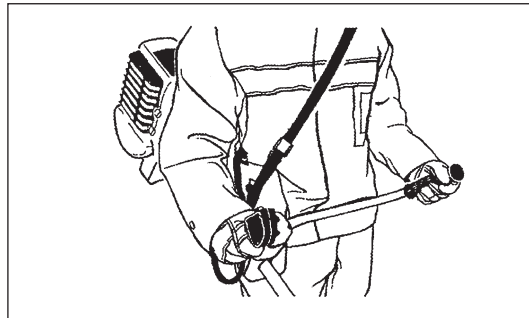
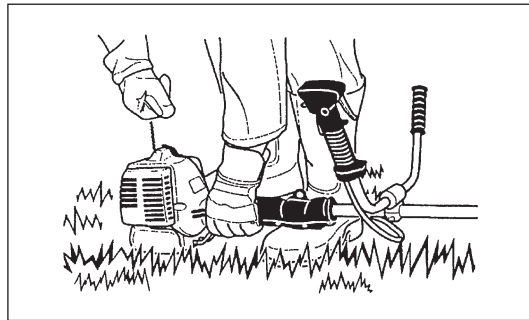


Käivitage võsalõikur vastavalt juhistele.

- Ärge kasutage mootori käivitamiseks teisi meetodeid!
- Kasutage võsalõikurit ja lõikeriistu ainult selleks ettenähtud rakenduste jaoks.
- Pärast monteerimise lõpetamist käivitage mootor. Seadmega võib töötada alles pärast kõigi nõuetekohaste tarvikute kinnitamist!
- Enne käivitamist veenduge, et lõikeriist ei puutuks vastu kõvasid esemeid (näiteks oksad, kivid jne), sest lõikeriist hakkab käivitamisel pöörlema.
- Mootor tuleb mootori probleemide esinemisel kohe välja lülitada.
- Kui lõikeriist peaks tabama kive või muid kõvasid esemeid, siis lülitage mootor kohe välja ja kontrollige lõikeriista.
- Kontrollige lõikeriista sageli ja regulaarselt vigastuste esinemise suhtes (juuspeened praod saab koputamise teel kindlaks teha).
- Kui seade saab tugeva löögi või kukub maha, kontrollige enne töö jätkamist selle seisukorda. Kontrollige, kas kütusesüsteemis ei esine lekkeid ning kas juht- ja kaitseadmed töötavad tõrgeteta. Kahjustuste või kahtluste korral paluge meie volitatud hoolduskeskusel seadet kontrollida ja parandada.
- Kasutage seadet ainult koos kandevööga, mis reguleeritakse parajaks enne võsalõikuri kasutamist. Kandevöö tuleb reguleerida kasutaja kasvu järgi, et vältida töötamisel kiiret väsimist. Ärge kunagi hoidke võsalõikurit töötades vaid ühe käega.
- Kasutamise ajal hoidke võsalõikurit alati kahe käega. Jälgige kogu töötamise vältel, et seisaksite kindlalt.
- Kasutage seadet nii, et te töötamise ajal heitgaase sisse ei hingaks. Ärge käivitage mootorit suletud ruumides (gaasimürgistuse oht). Süsinikmonoksiid on lõhnatu gaas.
- Lülitage mootor välja, kui puhkate või jätate seadme järelevalveta, ning paigutage seade ohutusse kohta, kus see kedagi ei ohusta ning kus see on kaitstud kahjustuste eest.
- Ärge asetage kuuma võsalõikurit kuivale rohule ega süttivatele materjalidele.
- Enne mootori käivitamist paigaldage alati seadmele heakskiidetud lõikeriista kaitsekate. Vastasel juhul võib kokkupuude lõikeriistaga põhjustada tõsise kehavigastuse.
- Kõik seadmega kaasasolevad kaitseadised ja kaitsekatted peavad töötamise ajal olema paigaldatud.
- Ärge käivitage mootorit, kui summuti on katki.
- Transportimise ajal peab mootor olema välja lülitatud.
- Seadme transportimisel tuleb kaitsekate alati paigaldada metallist lõiketerale.
- Autoga transportimisel paigutage seade ohutusse asendisse, et vältida kütuse lekkimist.
- Transportimisel peab kütusepaak olema täielikult tühjendatud.
- Seadme veokist mahalaadimisel ärge laske mootoril kukkuda, sest võite kütusepaaki tõsiselt vigastada.
- Välja arvatud hädaolukorras, ärge kunagi laske seadet kukkuda ega visake seadet maha, sest vastasel juhul võite seadet tõsiselt kahjustada.
- Pidage meeles, et seadme maast liigutamiseks tuleb tõsta kogu seadet. Kütusepaagi lohistamine on väga ohtlik, sest võib seda kahjustada ning põhjustada lekkimist ja tulekahju ohtu.

## Kütuse lisamine

- Kütuse lisamise ajal peab mootor olema välja lülitatud. Hoiduge lahtisest tulest ja ärge suitsetage.
- Vältige naha kokkupuudet mineraalilõlõisid sisaldavate toodetega. Ärge hingake kütuseauru sisse. Kandke kütuse lisamise ajal alati kaitsekindaid. Vahetage ja puhastage kaitseriietust regulaarselt.
- Ärge laske kütusel või õil maha voolata, et vältida maapinna saastumist (keskkonnakaitse). Puhastage võsalõikur kohe, kui kütus on välja voolanud.
- Vältige kütuse sattumist riietele. Kütusega määrduvad riided tuleb kohe ära vahetada (et vältida nende süttimist).
- Kontrollige regulaarselt, kas kütusepaagi korki saab korralikult kinni keerata ja et see ei lekiks.
- Keerake kütusepaagi kork hoolikalt kinni. Mootori käivitamiseks vahetage seadme asukohta (vähemalt 3 meetri kaugusel kütuse lisamise kohast).
- Ärge lisage kunagi kütust kinnistes ruumides. Kütuseaurud kogunevad põrandale (plahvatusoht).
- Transportige ja säilitage kütust ainult selleks ettenähtud mahutites. Hoidke kütust lastele kättesaamatus kohas.



## Töömeetod

- Kasutage seadet ainult hea valguse ja nähtavuse korral. Olge eriti tähelepanelik talvel, kui on libe, märg, jääne ja lumine (libisemisoht). Jälgige kogu töötamise vältel, et seisaksite kindlalt.
- Ärge lõigake kunagi oma vöökörgusest kõrgemalt.
- Ärge kunagi seiske redelil.
- Ärge lõigake kunagi selle seadmega, kui olete ise puu otsas.
- Ärge töötage kunagi ebakindlal alusel seistes.
- Eemaldage tööpiirkonnast liiv, kivid, naelad jms. Võõrkehavad võivad kahjustada lõikeriista ja põhjustada ohtlikke tagasilööke.
- Lõikeriist peab enne lõikamise alustamist olema saavutanud täiskiruse.
- Metallist lõiketerade kasutamisel liigutage tööriista ühtlaselt poolkaares paremalt vasakule nagu vikatit kasutades. Kui rohi ja oksad takerduvad lõikeriista ja kaitsekatte vahele, tuleb enne puhastamist alati mootor seisata. Vastasel juhul võib lõiketera ootamatu pöörlemine põhjustada tõsise kehavigastuse.
- Väsimusest tingitud kontrollikaotuse vältimiseks tehke puhkepause. Soovitame puhata igas tunnis 10–20 minutit.

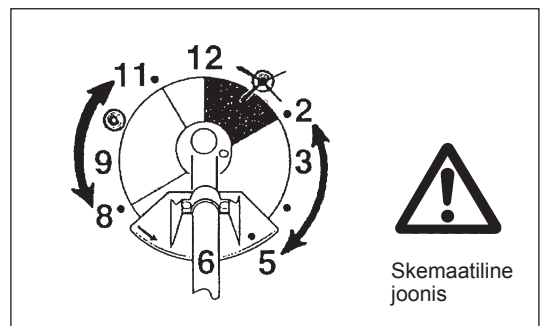
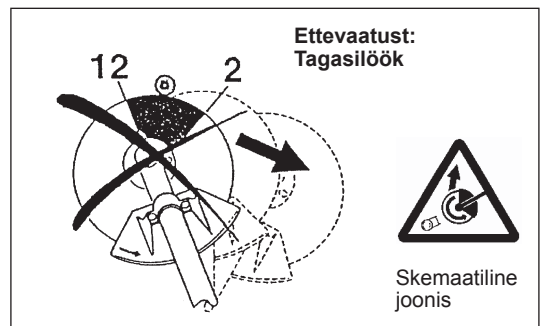


## Lõikeriistad

- Kasutage käsiloleva töö jaoks ettenähtud lõikeriista. Nailonist lõikepead (jõhviga trimmeripead) sobivad muru trimmerdamiseks. Metallist lõiketerad sobivad umbrohu, kõrge muru, põõsaste, puhmaste, alusmetsa, tihniku jms lõikamiseks. Ärge kasutage teisi lõiketerasid, sh metallist mitmeosalisi pöörlevaid kette ega vasarnugasid. Vastasel juhul võib tekkida tõsine vigastus.
- Metallist lõiketerade kasutamisel vältige tagasilööki ning olge alati ettevalmistatud ootamatuks tagasilöögiks. Vaadake peatükki „Tagasilöök“ ja „Tagasilöögi vältimine“.

## Tagasilöök (lõiketera vastusurve)

- Tagasilöök (lõiketera vastusurve) on äkiline reaktsioon takerdunud või kinni jäänud metallist lõiketerale. Selle esinemisel paisatakse seade suure jõuga küljele või operatori suunas ning see võib põhjustada tõsise kehavigastuse.
- Tagasilöök esineb eelkõige siis, kui lõiketera sektor, mis jääb kellaplaadil 12 ja 2 vahele, puutub vastu kõvasid esemeid, põõsaid ja puid, mille läbimõõt ületab 3 cm.
- Tagasilöögi vältimiseks:
  - alustage lõikamist sektoriga, mis jääb kellaplaadil 8 ja 11 vahele;
  - ärge kunagi alustage lõikamist sektoriga, mis jääb kellaplaadil 12 ja 2 vahele;
  - ärge alustage lõikamist sektoritega, mis jäävad kellaplaadil 11 ja 12 ning 2 ja 5 vahele, välja arvatud juhul, kui operaator on saanud korraliku väljaõppe ja omab vastavat kogemust ning teeb seda enda vastutusel;
  - ärge kasutage metallist lõiketerasid kõvade esemete, nagu tarade, seinte, puutüvede ja kivide läheduses;
  - ärge kasutage metallist lõiketerasid vertikaalsuunaliselt selliste tööde puhul nagu näiteks servade piiramine ja heki kärpimine.

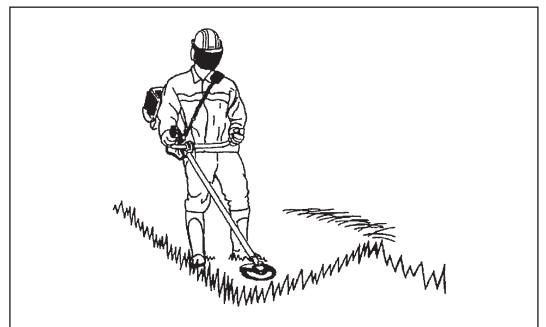


## Vibratsioon

- Vereringehäiretega isikutel, kes on jäänud liigse vibratsiooni mõju alla, võib esineda veresoonekonna või närvisüsteemi kahjustus. Vibratsioon võib põhjustada sõrmedes, kätes või randmetes järgmiste sümptomite esinemist: „ärasuremine“ (tuimus/tundetud), kihelemine, valu, torkava valu aisting, naha värvuse või naha muutused. Nimetatud sümptomite ilmnemisel tuleb pöörduda arsti poole!
- Selleks, et vähendada „valgete sõrmede sündroomi“ ohtu, hoidke käed töötamise ajal soojad ning hooldage korralikult oma seadet ja lisatarvikuid.

## Hooldusjuhised

- Laske oma seadet hooldada meie volitatud hoolduskeskuses ning kasutage alati ainult originaalseid varuosi. Valesti teostatud remont ja kehv hooldus lühendavad seadme eluiga ning suurendavad õnnetusjuhtumite esinemise ohtu.
- Kontrollige enne töö alustamist lõikuri korrasolekut, eelkõige lõikeriista, kaitseadiste ja samuti ka kandevöö seisukorda. Erist tähelepanu tuleb pöörata metallist lõiketeradele, need peavad olema nõuetekohaselt teritatud.
- Lõikeriistade vahetamiseks või teritamiseks ning lõikuri või lõikeriista puhastamiseks lülitage mootor välja ja eemaldage süüteküünla piip.



## Ärge õgvendage ega keevitage kahjustatud lõikeriistu.

- Arvestage keskkonnaga. Saaste ja müra vähendamiseks vältige tarbetuid päästikuvajutusi. Reguleerige karburaator õigesti.
- Puhastage seadet regulaarselt ning kontrollige, et kõik kruvid oleksid korralikult kinni keeratud.
- Ärge hooldage ega hoidke seadet lahtise tule lähedal.
- Hoidke seadet alati lukustatud ruumis ja tühjendatud kütusepaagiga.
- Seadme puhastamisel, hooldamisel ja hoiustamisel tuleb metallist lõiketerale alati kaitsekate paigaldada.



Järgige vastava kutseühingu ja kindlustusseltsi poolt välja antud asjakohaseid õnnetuse vältimise eeskirju. Seadme mis tahes muutmine on keelatud, kuna see on teile ohtlik.

Seadme juures on kasutajal lubatud teha ainult neid hooldus- ja remonditöid, mida on kirjeldatud käesolevas kasutusjuhendis. Kõik muud tööd tuleb lasta teha ametlikus teeninduses. Kasutage ainult MAKITA originaalvaruosi ja -tarvikuid. Teiste firmade varuosade, tarvikute ja lõikeriistade kasutamisel on õnnetuste oht suurem. MAKITA ei vastuta õnnetuste või kahjude eest, mis tulenevad valede lõikeriistade või nende kinnitusvahendite või tarvikute kasutamisest.

## Esmaabi

Võimalike õnnetuste puhuks peab töökohal alati olema esmaabikarp. Asendage kohe kõik vahendid, mille te olete esmaabikarbist ära tarvitanud.

## Kui kutsute abi, palun teatage järgmised andmed:

- õnnetuse toimumise koht;
- õnnetuse kirjeldus;
- vigastatud isikute arv;
- vigastuste kirjeldus;
- oma nimi.



---

Ainult Euroopa riigid

## EÜ vastavusdeklaratsioon

**Makita korporatsiooni vastutava tootjana kinnitame, et alljärgnev(ad) Makita seade (seadmed):**

Seadme nimetus: Bensini mootoriga võsalõikur  
Mudeli nr/tüüp: EM4351UH, EM4350UH, EM4350LH  
Tehnilised andmed: vt tabel „TEHNILISED ANDMED“

on seeriatoodang ja

**vastab järgmiste Euroopa direktiivide nõuetele:**

2000/14/EÜ, 2006/42/EÜ;

ja on toodetud vastavalt järgmistele standarditele või standardiseeritud dokumentidele:

EN ISO 11806-1

Tehnilist dokumentatsiooni hoitakse meie volitatud esindaja käes Euroopas, kelleks on:

Makita International Europe Ltd.,

Michigan Drive, Tongwell, Milton Keynes, Bucks MK15 8JD, Suurbritannia

Vastavushindamise protseduur direktiivi 2000/14/EÜ alusel oli kooskõlas V lisaga.

EM4351UH:

Mõõdetud helitugevuse tase: 114,3 dB

Garanteeritud helitugevuse tase: 116 dB

EM4350UH:

Mõõdetud helitugevuse tase: 113,8 dB

Garanteeritud helitugevuse tase: 115 dB

EM4350LH:

Mõõdetud helitugevuse tase: 110,7 dB

Garanteeritud helitugevuse tase: 112 dB

8. 9. 2011



Tomoyasu Kato  
Direktor  
Makita Corporation  
3-11-8, Sumiyoshi-cho,  
Anjo, Aichi, JAPAN

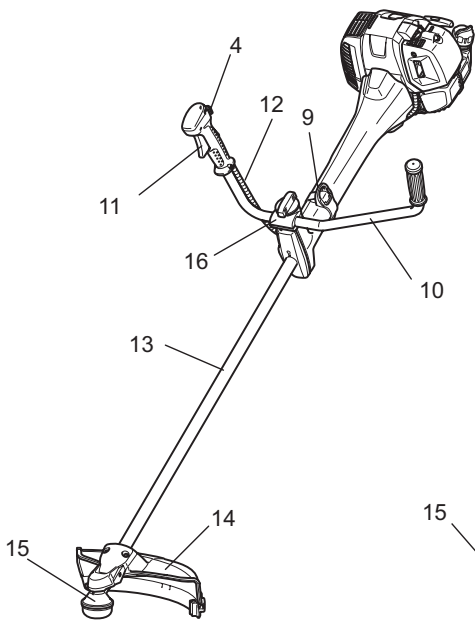


## TEHNILISED ANDMED EM4351UH, EM4350UH, EM4350LH

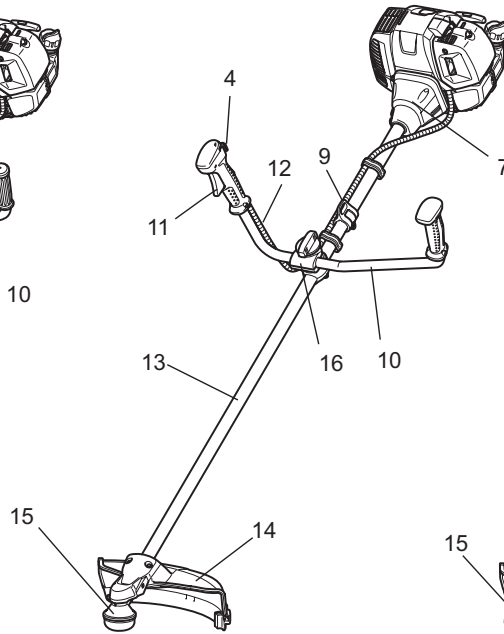
Mudel		EM4351UH	EM4350UH	EM4350LH					
Käepideme tüüp		Torukäepide	Torukäepide	Aaskäepide					
Mõõdud: pikkus x laius x kõrgus (ilma lõikeriistata)		mm	1812 x 618 x 528	1812 x 635 x 460	1812 x 339 x 250				
Kaal (ilma plastikust kaitsekatte ja lõikeriistata)		kg	8,6	8,3	7,9				
Maht (kütusepaak)		L	0,6						
Maht (õlipaak)		L	0,1						
Mootori töömaht		cm <sup>3</sup>	43,0						
Maksimaalne mootori võimsus		kW	1,5 kiirusel 7500 min <sup>-1</sup>						
Mootori kiirus soovitaval võlli maksimaalsel pöörlemissagedusel		min <sup>-1</sup>	10500						
Võlli maksimaalne pöörlemiskiirus (vastavalt)		min <sup>-1</sup>	7200						
Tühikäik		min <sup>-1</sup>	3000						
Sidurdamise kiirus		min <sup>-1</sup>	4000						
Karburaator		Membraankarburaator							
Süütesüsteem		Kontaktivaba magnetsüüde							
Süüteküünel		tüüp	NGK CMR6A						
Elektroodide vahe		mm	0,7 - 0,8						
			LÕIKETERA	NAILONIST LÕIKEPEA	LÕIKETERA	NAILONIST LÕIKEPEA	LÕIKETERA	NAILONIST LÕIKEPEA	
Vibratsioon vastavalt standardile ISO 22867	Parempoolne käepide (tagumine haarats)	$a_{hv\ eq}$	m/s <sup>2</sup>	2,2	2,5	3,1	4,0	4,2	2,6
		Määramatus K	m/s <sup>2</sup>	0,5	0,3	0,5	0,7	1,1	0,7
	Vasakpoolne käepide (Eesmine haarats)	$a_{hv\ eq}$	m/s <sup>2</sup>	1,7	2,6	4,8	5,0	3,8	3,7
		Määramatus K	m/s <sup>2</sup>	0,5	1,3	2,9	0,6	1,0	1,4
Keskmise helirõhu tase vastavalt standardile ISO 22868		$L_{PA\ eq}$	dBA	92,4	99,8	91,2	99,1	92,8	94,9
		Määramatus K	dBA	1,8	1,0	2,2	1,3	1,6	2,1
Helivõimsuse tase vastavalt standardile ISO 22868		$L_{WA\ eq}$	dBA	101,8	114,3	103,1	113,8	103,4	107,7
		Määramatus K	dBA	1,8	1,5	1,1	1,1	1,5	1,2
Kütus		Autobensiin							
Mootoriõli		Vähemalt API SF-klassi või SAE koodiga 10W-30 õli (neljataktilisele mootorile)							
Lõikeriistad (lõiketera läbimõõt)		mm	305 (kolme teraga)						
Ülekandearv		13/19							

# OSADE NIMETUSED

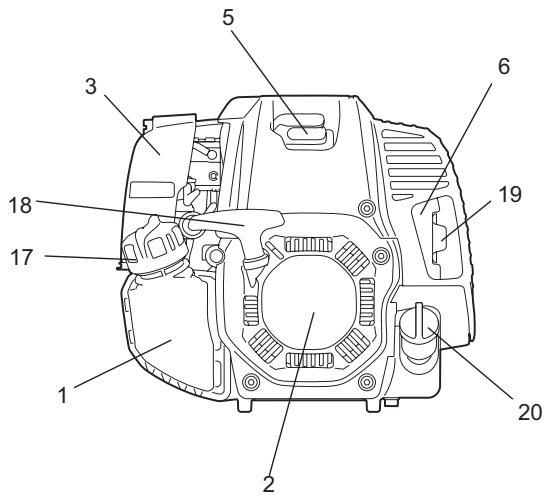
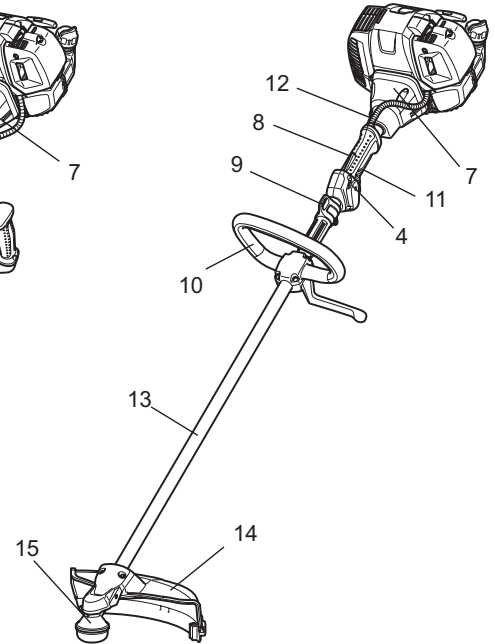
## EM4351UH



## EM4350UH



## EM4350LH



EE	OSADE NIMETUSED
1	Kütusepaak
2	Tagasitõmbestarter
3	Õhupuhasti
4	I-O lüliti ja seguklapi luku lüliti (sees/väljas)
5	Süüteküünal
6	Summuti
7	Sidurikoda
8	Tagumine haarats
9	Riputi
10	Käepide
11	Seguklapi hoob
12	Juhtkaabel
13	Varras
14	Kaitsekate (lõikeriista kaitsekate)
15	Ülekande korpus
16	Käepideme hoidik
17	Kütusepaagi kork
18	Starteri nupp
19	Summutitoru
20	Õli täiteava kork

## KÄEPIDEME PAIGALDAMINE

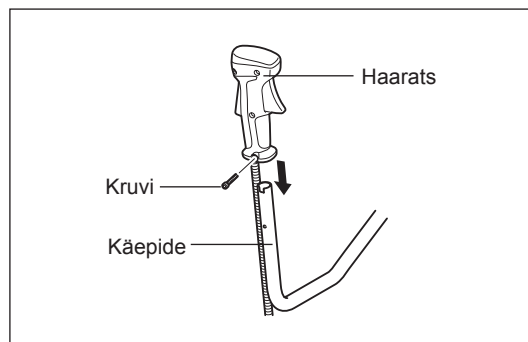
ETTEVAATUST: Enne ükskõik missuguste tööde tegemist seadme kallal lülitage alati mootor välja ja eemaldage süüteküünla piip. Kandke alati kaitsekindaid!

ETTEVAATUST: Käivitage mootor alles pärast monteerimise täielikku lõpetamist.



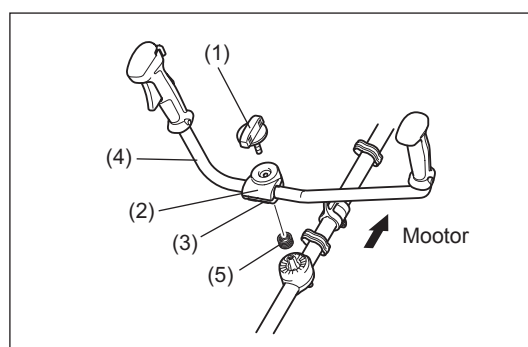
### Mudelite EM4351UH, EM4350UH puhul

Paigaldage käepideme vars haaratsisse, nagu joonisel on näidatud. Seadke haaratsis olev kruvi auk kohakuti käepideme varres oleva kruvi auguga. Keerake kruvi tugevasti kinni.



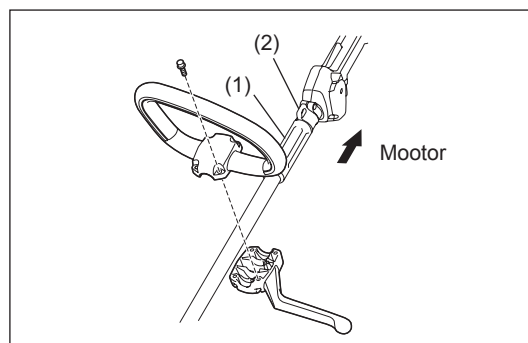
- Keerake nupp (1) lahti.
- Paigutage käepide (4) käepideme klambri (2) ja käepideme hoidiku (3) vahele.
- Reguleerige käepide (4) sellise nurga alla, mis tagab mugava töösendi, ja seejärel keerake nupp (1) käega kõvasti kinni.

ETTEVAATUST: Ärge unustage vedru (5) paigaldada.



### Mudeli EM4350LH puhul

- Kinnitage aaskäepide varre külge nelja kruviga.
- Õige vahekauguse hoidmiseks käepidemete vahel paigaldage aaskäepideme ja riputi (2) vahele vahehoidik (1).



## KAITSEKATTE PAIGALDAMINE

Nõutavate ettevaatusabinõude täitmiseks peab kasutama eranditult vaid tabelis viidatud seadme/kaitsevahendite kombinatsioone.

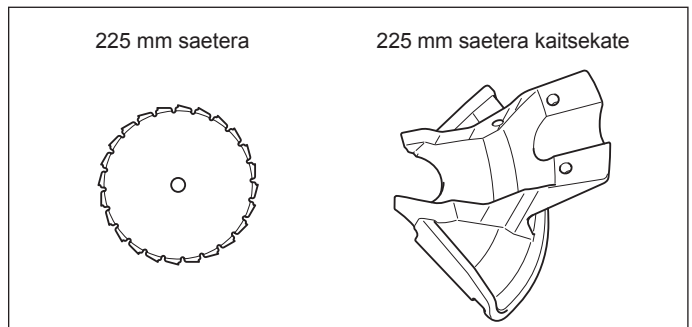
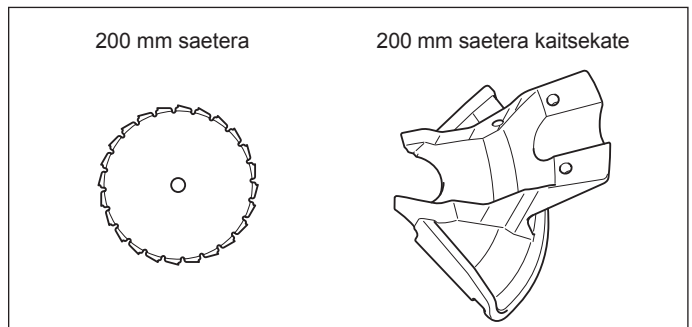
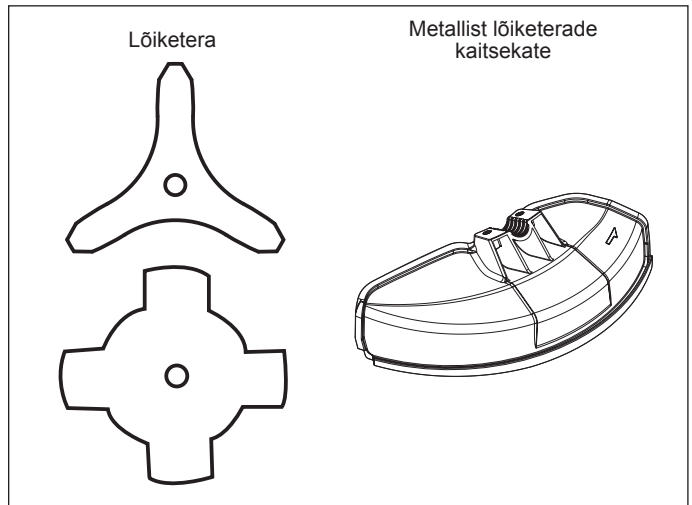


### Kasutage kindlasti ainult MAKITA originaalseid metallist lõiketerasid (saetera ja lõiketera) või nailonist lõikepead.

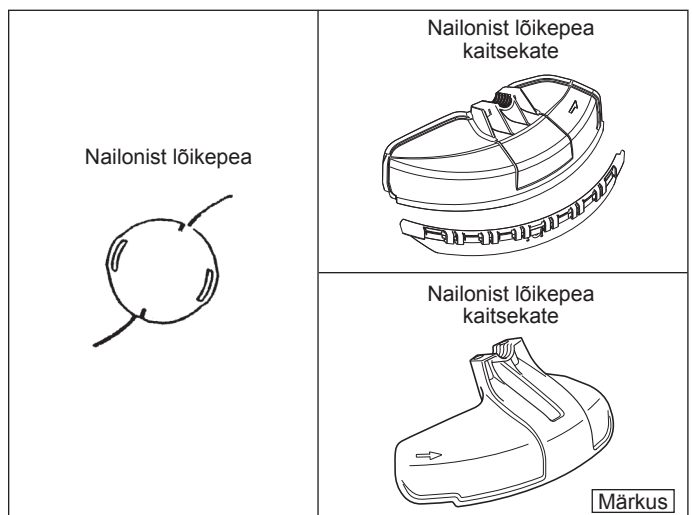
- Metallist lõiketera peab olema hästi poleeritud, sellel ei tohi olla pragusid ja murdumisi. Kui metallist lõiketera pörkab töötamise ajal vastu kivi, siis peatage kohe mootor ja kontrollige lõiketera.
- Lihvige või vahetage metallist lõiketera iga kolme töötunni järel.
- Kui nailonist lõikepea pörkab töötamise ajal vastu kivi, siis peatage kohe mootor ja kontrollige nailonist lõikepead.

**ETTEVAATUST:** Seadmele tuleb alati paigaldada asjakohane kaitsekate, et tagada teie ohutus ja kehtivate ohutuseeskirjade täitmine. Töötamine seadmega, millel puudub kaitsekate, on keelatud. Lõiketera välisläbimõõt peab olema 300 mm (12") või väiksem. Ärge kunagi kasutage suuremat kui 300 mm (12") välisläbimõõduga lõiketera. Kasutage 200 mm saetera kaitsekate ainult siis, kui kasutate 200 mm saetera. Kasutage 225 mm saetera kaitsekate ainult siis, kui kasutate 225 mm saetera. Ärge kasutage saeterade puhul teisi kombinatsioone.

**MÄRKUS:** Lõikeriista standardne kombinatsioon on riikide lõikes erinev.

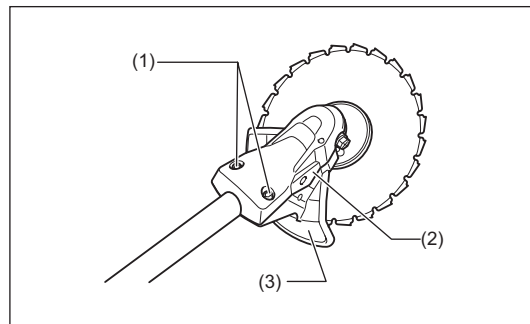
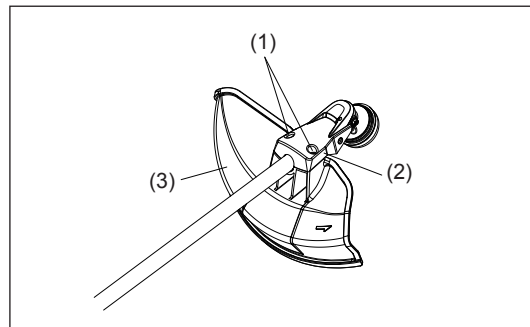


**MÄRKUS:** Kui kasutate kaitsekate mudelil EM4350LH koos nailonist lõikepeadega (B ja F Z5L või B ja F Eco6L), kasutage vastuvõtuseibi ja nailonist lõikepea vahel tasakaalustusseibi (tootenr: 326755\*2). (Vt paigaldusjuhendit lk 174.)



- Metallist lõiketera puhul kinnitage kaitsekate (3) klambri (2) külge kahe poldiga (1).

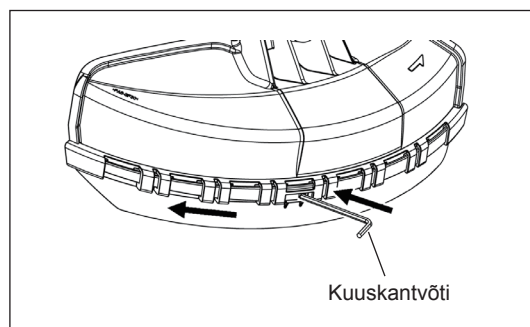
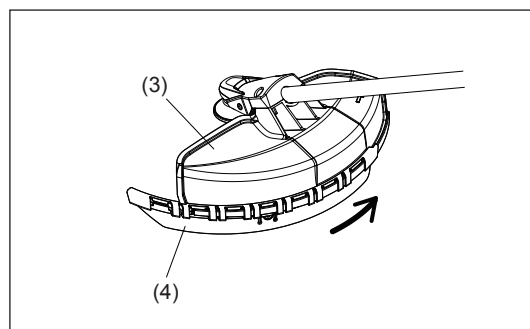
MÄRKUS: Pingutage parem- ja vasakpoolset polti võrdselt, nii et vahe klambri (2) ja kaitsekatte (3) vahel jääb muutumatuks. Vastasel juhul ei pruugi kaitsekate mõnikord funktsioneerida nii, nagu ette on nähtud.



- Nailonjõhviga lõikuri puhul paigaldage nailonjõhviga lõikuri kaitsekate (4) metallist lõiketera kaitsekatele (3).
- Paigaldage nailonjõhviga lõikuri kaitsekate (4), libistades selle metallist lõiketera kaitsekatte (3) tiivalt sisse, nagu näidatud.
- Eemaldage teip jõhvilõikamisnoalt, mis on kinnitatud nailonjõhviga lõikuri kaitsekatele (4).

ETTEVAATUST: Lükake nailonjõhviga lõikuri kaitsekate (4) sissepoole, kuni see on täielikult oma õigele kohale sobitunud. Olge ettevaatlik, et vältida enda vigastamist jõhvi lõikamise teraga.

- Nailonjõhviga lõikuri kaitsekatte (4) eemaldamiseks asetage kuuskantvõti metallist lõiketera kaitsekattel (3) olevasse sälku, lükake seda sissepoole ja samal ajal libistage nailonjõhviga lõikuri kaitsekate (4).



## METALLIST LÖIKETERA VÕI NAILONIST LÖIKEPEA PAIGALDAMINE

### Kasutage kindlasti ainult MAKITA originaalseid metallist lõiketerasid või nailonist lõikepead.

- Metallist lõiketera peab olema hästi poleeritud, sellel ei tohi olla pragusid ja murdumisi. Kui metallist lõiketera pörkab töötamise ajal vastu kivi, siis peatage kohe mootor ja kontrollige lõiketera.
- Lihvige või vahetage metallist lõiketera iga kolme töötunni järel.
- Kui nailonist lõikepea pörkab töötamise ajal vastu kivi, siis peatage kohe mootor ja kontrollige nailonist lõikepead.

**ETTEVAATUST:** Seadmele tuleb alati paigaldada asjakohane kaitsekate, et tagada teie ohutus ja kehtivate ohutuseeskirjade täitmine. Töötamine seadmega, millel puudub kaitsekate, on keelatud. Lõiketera välisläbimõõt peab olema 300 mm (12") või väiksem. Ärge kunagi kasutage suuremat kui 300 mm (12") välisläbimõõduga lõiketera.

Keerake seade tagurpidi, et metallist lõiketera või nailonist lõikepead oleks hõlbus vahetada.

- Sisestage kuuskantvõti läbi ülekande korpusesse oleva augu ja keerake vastuvõtuseibi (4) tugevasti kinni.
- Lõdvendage mutrit (1) (vasakkeere) padrunvõtmega ja eemaldage mutter (1), kuppel (2) ja sulgurseib (3).

### Metallist lõiketera monteerimiseks kasutage kuuskantvõtit.

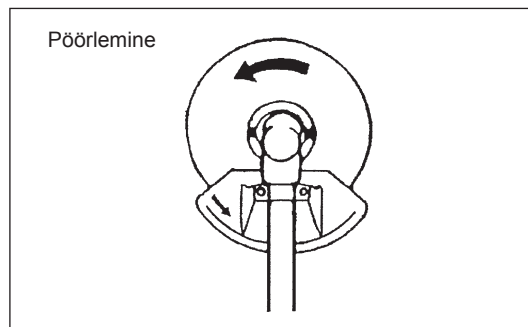
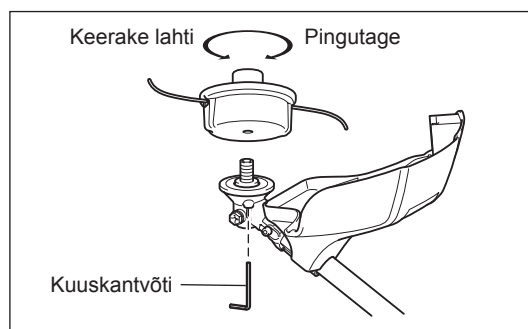
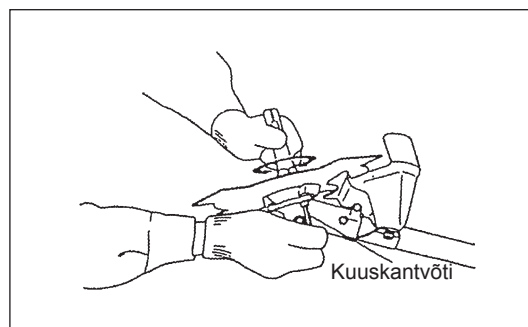
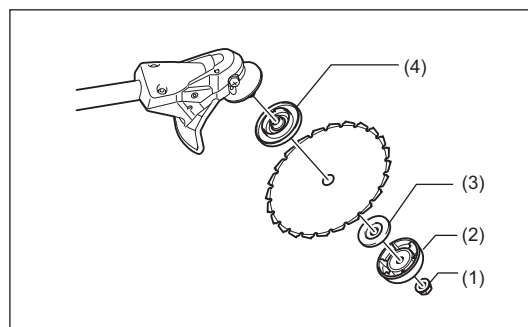
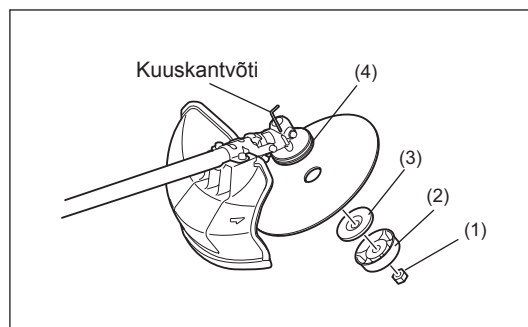
- Paigaldage metallist lõiketera võllile nii, et vastuvõtuseibi (4) juhik sobitub metallist lõiketeras olevasse võlli auku. Paigaldage sulgurseib (3), kuppel (2) ja kinnitage metallist lõiketera mutriga (1).  
[Pingutusmoment: 20–30 Nm]

**MÄRKUS:** Kandke metallist lõiketera käsitlemisel alati kaitsekindaid.

**MÄRKUS:** Metallist lõiketera kinnitusmutter (koos vedruseibiga) on asendatav osa. Kui vedruseib on kulunud või deformeerunud, siis vahetage mutter välja.

### Nailonist lõikepea paigaldamine

- Nailonist lõikepea paigaldamiseks ei ole vaja kasutada sulgurseibi (3), kuplit (2) ega mutrit (1). Nailonist lõikepea tuleb paigaldada vastuvõtuseibi (4) peale.
- Sisestage kuuskantvõti läbi ülekande korpusesse oleva augu ja keerake vastuvõtuseibi (4) tugevasti kinni.
- Seejärel kruvige nailonist lõikepea võlli külge, pöörates seda vastupäeva suunas.
- Eemaldage kuuskantvõti.



## ENNE SEADME KÄIVITAMIST

### Mootoriõli kontrollimine ja lisamine

- Teostage järgmised toimingud, kusjuures mootor peab olema maha jahtunud.
- Veenduge, et mootor paikneb tasasel horisontaalsel pinnal, ning kontrollige, kas õlitase jääb õliindikaatori alumise ja ülemise piiri vahele.
- Kui õlitase jääb alumisest piirist madalamale, eemaldage õli täiteava kork ja lisage õli.
- Kuna välimisi märke ümbritsev ala on läbipaistev, siis saab õlikogust kontrollida ilma õli täiteava korki eemaldamata. Kui aga õlituru on väga määrdunud, võib nähtavus olla halvenenud ning sellisel juhul tuleb õlitaset kontrollida õlituru astmelise siseosa järgi.
- Õli tuleb lisada umbes iga 10 töötunni järel (iga 10 kütuse lisamise järel).  
Kui õli värvus on muutunud või õli on segunenud mustusega, tuleb õli vahetada. (Õli vahetamise intervalli ja meetodit vaadake lk 185.)

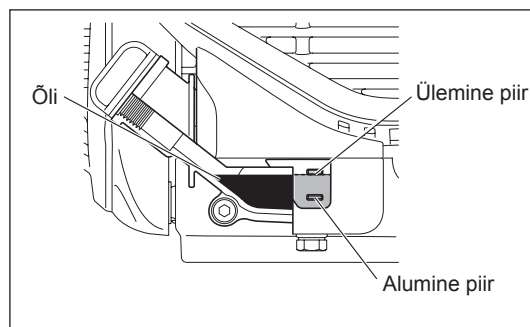
**Soovitav õli:** API-kategooria õli SAE 10W-30, SF-klass või kõrgem (4-taktilisele automootorile)

**Õlipaagi maht:** u 0,10 l

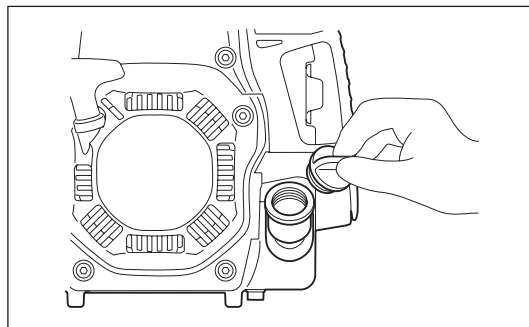
**MÄRKUS:** Kui mootor ei paikne horisontaalsel pinnal, nagu joonisel on näidatud, võib õlitase näit olla vale ning õli võidakse lisada liiga palju. Õli lisamine üle ülemise piiri võib põhjustada õli saastumist ja/või valget suitsu.

#### Õli vahetamine: „õli täiteava kork“

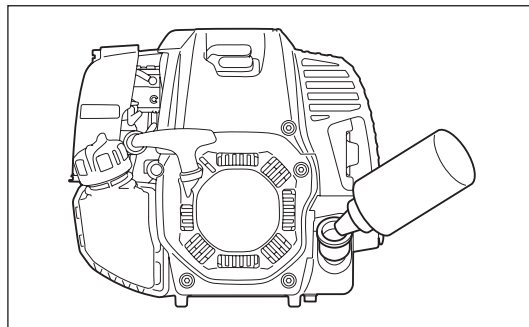
- Puhastage õli täiteava ümbrus tolmust või mullast ning eemaldage õli täiteava kork.
- Hoidke eemaldatud õli täiteava kork puhas liivast või tolmust. Vastasel juhul võib õli täiteava korgile kleepunud liiv või tolm põhjustada ebahühtlast õli ringlust või mootori osade kulumist, mille tagajärjeks on tõrgete esinemine.



(1) Hoidke mootor horisontaalses asendis ja eemaldage õli täiteava kork.



(2) Lisage õli kuni ülemise taseme märgini.  
Kasutage õli lisamiseks õlipudelit.



(3) Keerake õli täiteava kork korralikult kinni. Ebapiisav pinguldamine võib põhjustada õli lekkimist.

### Märkus

- Ärge hoidke mootorit õli vahetamise ajal kallutatud asendis.
- Õli lisamine kallutatud asendis olevasse mootorisse võib põhjustada ületäitmist, mille tagajärjel õli saastub ja/või mootorist hakkab eralduma valget suitsu.

### Pärast õli lisamist

- Pühkige mahavoolanud õli kohe ära.

## KÜTUSE LISAMINE

### Kütuse käsitlemine

Kütust tuleb käsitseda äärmiselt ettevaatlikult. Kütus võib sisaldada lahustisarnaseid aineid. Lisage kütust seadmele ainult hästi ventileeritavas ruumis või vabas õhus. Ärge hingake kütuseaure sisse ja hoidke kütust endast eemal. Korduval ja pikaajalisel kokkupuutel kütusega tekib nahakuivus, mille tagajärjeks võivad olla mitmesugused nahahaigused või allergilised reaktsioonid. Kütuse sattumisel silma loputage silma kohe puhta veega. Silma ärritusnähtude püsimisel pöörduge arsti poole.

### Kütuse säilitamine

Kütus tuleks ära kasutada 4 nädala jooksul isegi siis, kui seda hoitakse spetsiaalses kanstris hästi ventileeritavas ja varjulises kohas. Vastasel juhul võib kütus rikkuda ühe päevaga.

### SEADME JA BENSIINIKANISTRI SÄILITAMINE

- Hoidke seadet ja bensiinikanistrit jahedas kohas otsese päikesevalguse eest kaitstuna.
- Ärge kunagi hoidke kütust autos.

### Kütus

Seadmel on neljataktiline mootor. Veenduge, et kasutate pliivaba autobensiini, oktaanarvuga 87 või kõrgem  $((R+M)/2)$ . See ei tohi sisaldada alkoholi rohkem kui 10% (E-10).

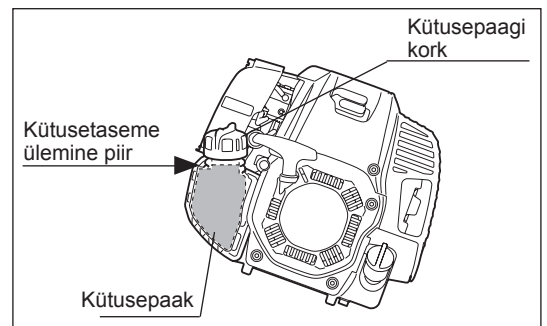
### Olulised punktid kütuse käsitlemisel

- Ärge kasutage kunagi kütusesegu, mis sisaldab mootoriõli. See võib põhjustada liigse süsiniku kogunemist või mehhaanilisi tõrkeid.
- Riknenud õli kasutamine võib põhjustada tõrkeid käivitamisel.

### Kütuse lisamine

**HOIATUS:** Enne kütuse lisamist lülitage mootor välja. Hoiduge lahtisest tulest ja ärge suitsetage.

- Keerake paagi kork veidi lahti, et vabastada paagi rõhk.
  - Keerake paagi kork ära ja lisage kütust, kallutades kütusepaaki õhu eemaldamiseks nii, et täiteava jääb suunaga ülespoole. ÄRGE lisage kütust paagi täiteava servani.
  - Pühkige paagi korgi välisküljelt puhtaks, et vältida prügi sattumist kütusepaaki.
  - Pärast kütuse lisamist keerake paagi kork tugevasti kinni.
- Kui paagi kork on mõranenud või muud moodi kahjustunud, siis vahetage see välja.
  - Paagi kork kulub aja jooksul. Vahetage see iga kahe kuni kolme aasta järel välja.
  - ÄRGE pange kütust õli täiteavasse.





## SEADME ÕIGE KÄSITSEMINE

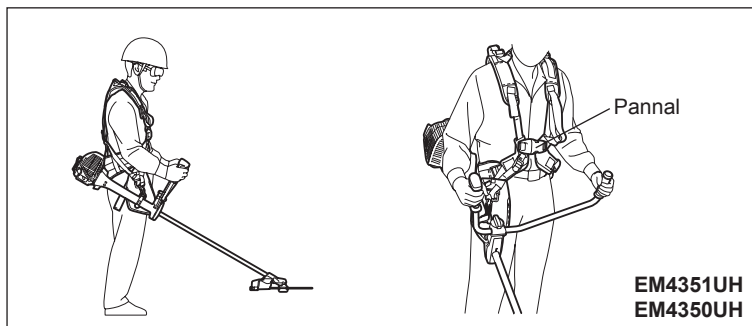
### Kandevöö kinnitamine

- Reguleerige kandevöö pikkus parajaks nii, et metallist löiketera saab hoida maapinnaga paralleelselt.

#### EM4351UH, EM4350UH puhul

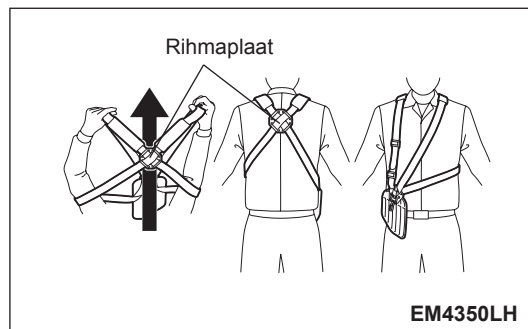
Hoidke kandevööd seljas, kinnitage see pandlaga ja reguleerige rihmade pikkus parajaks.

MÄRKUS: Jälgige, et te ei haaraks rõivast jms pandlasse.



#### EM4350LH puhul

- 1) Hoidke rihmaplaati endale võimalikult lähedal. Lükake käevarred ja pea rihmade vahelt läbi.
- 2) Kui olete kandevöö õigesti varustanud, toetub rihmaplaad teie seljale ning regulaatorid ja haak asetuvad teie paremale küljele.



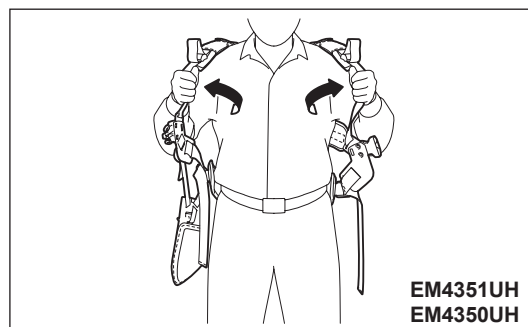
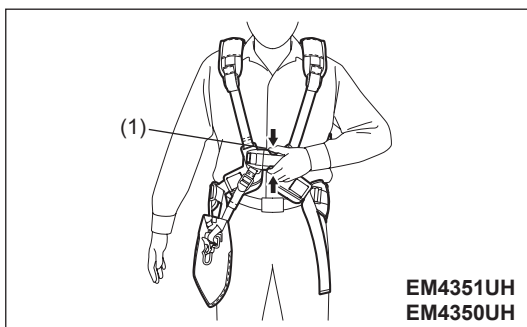
### Seadme vabastamine

#### EM4351UH, EM4350UH puhul

- Seadme vabastamiseks pigistage pannalt (1) külgedelt ja võtke kandevöö ära.

Olge äärmiselt hoolikas, et sellel ajal seadme üle kontroll säilitada. Ärge laske seadmel kalduda ei enda ega kellegi teise tööpiirkonnas viibija suunas.

HOIATUS: Täieliku kontrolli kaotamine seadme üle võib põhjustada tõsise kehavigastuse või lõppeda SURMAGA.

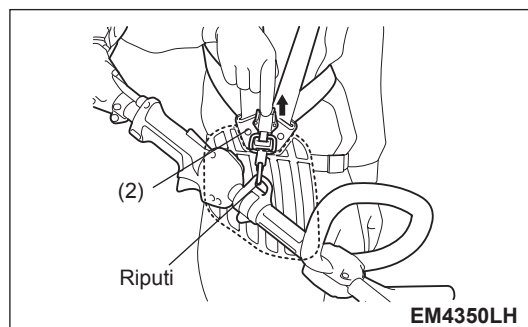


#### EM4350LH puhul

- Seadme vabastamiseks vallandage avariilahutushoob (2), tõmmates tugevasti sõrmedega.

Olge äärmiselt hoolikas, et sellel ajal seadme üle kontroll säilitada. Ärge laske seadmel kalduda ei enda ega kellegi teise tööpiirkonnas viibija suunas.

HOIATUS: Täieliku kontrolli kaotamine seadme üle võib põhjustada tõsise kehavigastuse või lõppeda SURMAGA.



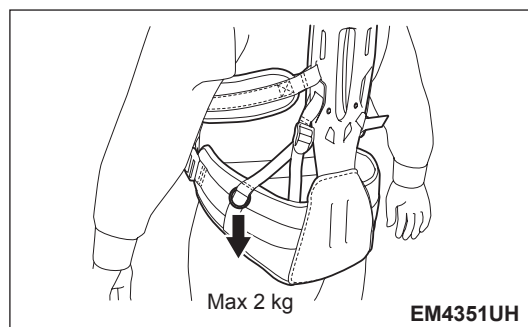
### Riputusrõngas

#### EM4351UH puhul

- Rõnga külge võite riputada raskuse, mis kaalub vähem kui 2 kg.

NB: Ärge riputage rõnga külge raskust, mis kaalub üle 2 kg. Rõngas ei pruugi raskema eseme kaalule vastu pidada ja ese võib kahjustuda.

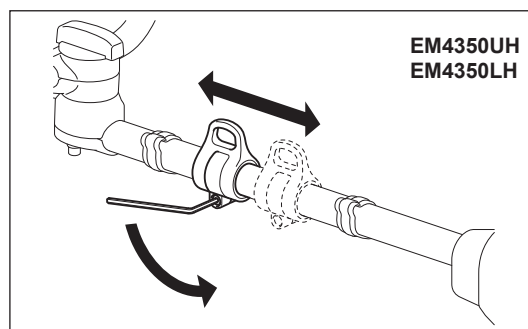
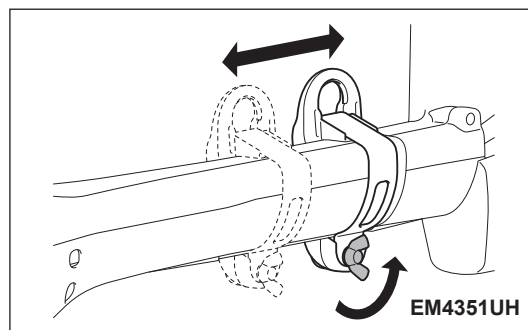
ETTEVAATUST: Ärge riputage rõnga külge esemeid, mis võivad takerduda pöösastesse või võsasse. Takerdumine võib põhjustada tasakaalu ja kontrolli kaotust, mille tagajärjeks võib olla kehavigastus.



## Raskuskeskme reguleerimine

Seadme raskuskeset saab reguleerida riputi asukohta ette- või tahapoole nihutades.

Reguleerige löikeriista kõrgus töötamise jaoks sobivaks.

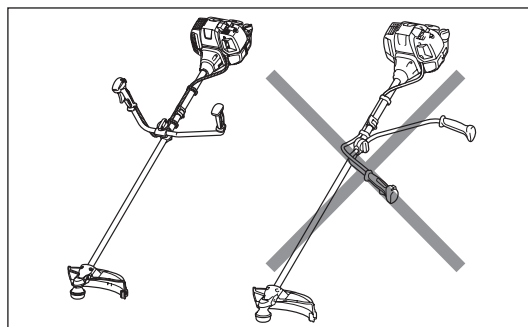


## OLULISED PUNKTID SEADMEGA TÖÖTAMISEL JA SEISKAMINE

Järgige asjakohaseid ohutuseeskirju!



Enne mootori käivitamist seadke käepide alati õigesse asendisse. Vastasel juhul võib löikeriist ootamatult pöörduda ja põhjustada kehavigastuse, sest seguklapi tross, mida võidakse tõmmata või painutada, võib avada seguklapi.

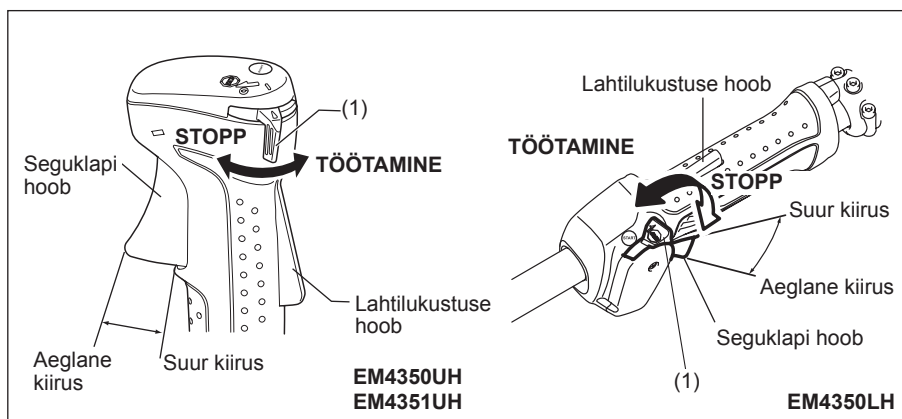


### KÄIVITAMINE

Minge kütuse lisamise kohast vähemalt 3 meetri kaugusele. Asetage seade maapinnale ja veenduge, et löikeriist ei puutu vastu maapinda või mõnda muud objekti.

#### A: külmkäivitus

- 1) Seadme ümber peab olema takistustest vaba sile maa-ala.
- 2) Seadke I-O lüliti (1) asendisse „TÖÖTAMINE“.

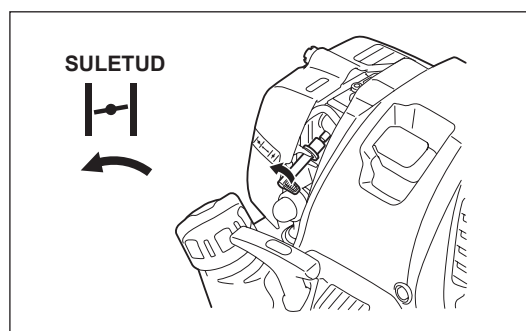


- 3) Õhuklapi hoob

Sulgege õhuklapi hoob.

Õhuklapi avamine:

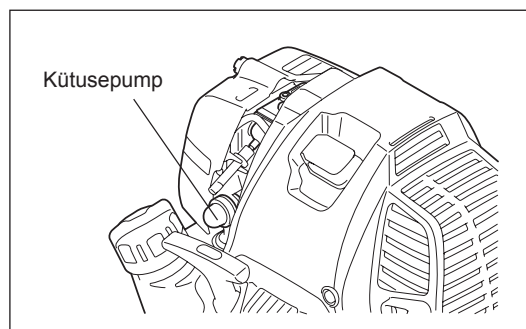
- Täielik sulgemine külma ilma või külma mootori korral.
- Täielik või poolenisti avamine, kui mootor on veidi soe, näiteks mootori ülessoojendamise ajal selle taaskäivitamisel kohe pärast seiskumist.



- 4) Kütusepump

Jätkake kütusepumbale vajutamist seni, kuni kütus on pumba sisenenud. (Tavaliselt 7 kuni 10 vajutust.)

Kui kütusepumpa liigselt vajutada, voolab liigne bensiin kütusepaaki tagasi.



### 5) Tagasitõmbestarter

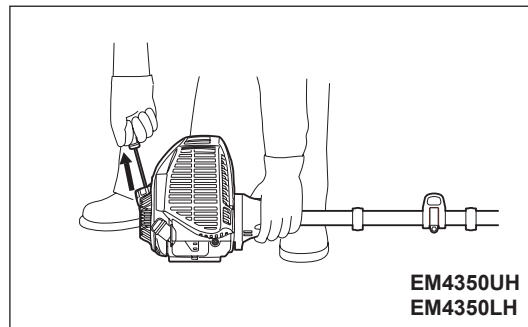
Veenduge, et teil on kindel jalgealune. Hoidke seadet vasaku käega ja suruge seda kindlalt alla.

**ETTEVAATUST:** Ärge seiske ega põlvitage seguklapi kaablil. Sisemist traati võidakse tõmmata ning löikeriist võib ootamatult pöörlema hakata.

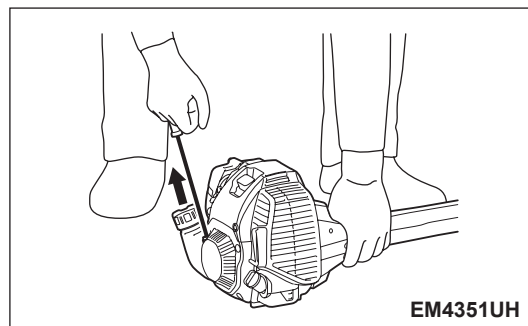
Ärge avage seguklappi.

Tõmmake starteri nupust õrnalt, kuni tunnete vastusurvet. Siis tõmmake kiiresti ja jõuliselt edasi.

Ärge kunagi tõmmake käivitustrossi päris lõpuni välja. Kui olete trossi välja tõmmanud, siis ärge kätt kohe lahti laske. Hoidke starteri nupust kinni, kuni käivitustross on oma lähteasendisse tagasi kerinud.



EM4350UH  
EM4350LH



EM4351UH

### 6) Õhuklapi hoob

Kui mootor on käivitud, seadke õhuklapi hoob AVATUD asendisse.

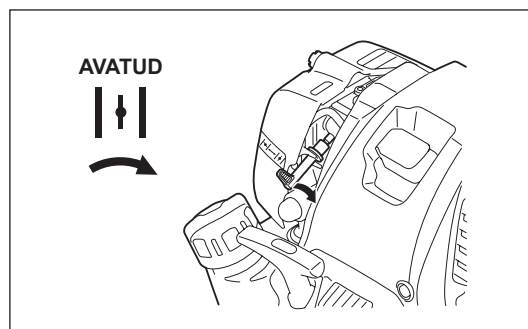
- Avage õhuklapi hoob järk-järgult, kontrollides samal ajal mootori tööd. Lõpuks avage õhuklapi hoob täielikult.

- Külma ilma korral või siis, kui mootor on maha jahtunud, ei tohi õhuklappi kunagi järsku avada. Vastasel juhul võib mootor seiskuda.

### 7) Ülessoojendamine

Jätkake üles soojendamist 2–3 minuti jooksul.

**NB: Ärge tõmmake seguklapi hooba tarbetult sel ajal, kui mootor ei tööta.** See võib põhjustada kütuse lekkimise õhupuhastist. Sellisel juhul pühkige lekkinud kütus ära. Avage ka õhupuhasti kate ning puhastage elementi ja õhupuhasti plaati.

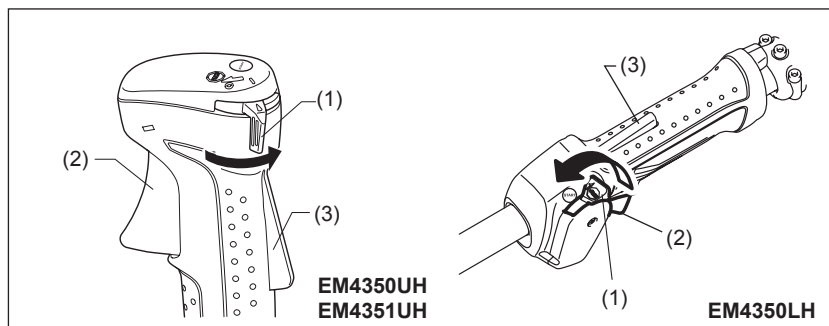


### MÄRKUS:

- Ärge tõmmake seguklapi hooba tarbetult sel ajal, kui mootor ei tööta. See võib põhjustada kütusega üleujutuse mootoris ning raskendada mootori käivitumist.
- Kütusega üleujutuse korral eemaldage süüteküünl ja tõmmake starteri käepidet aeglaselt, et liigne kütus eemaldada. Kuivatage ka süüteküünla elektroodi piirkond.
- Kui mootor käivitub ja seiskub või seiskub peagi pärast käivitumist, siis viige õhuklapi hoob tagasi AVATUD asendisse ja tõmmake starteri nuppu mõned korrad uuesti, et mootorit käivitada.
- Kui õhuklapi hoob jäetakse SULETUD asendisse ja korduvalt tõmmatakse starteri nuppu, imetakse sisse liiga palju kütust, mistõttu on mootorit raske käivitada.
- Ärge laske mootorit ülessoojendamise ajal tarbetult tühikäigul töötada.

### B: soekäivitus

- 1) Hoidke õhuklapi hoob täielikult avatud asendis.
  - 2) Vajutage mitu korda kütusepumbale.
  - 3) Hoidke seguklapi hooba tühikäigul.
  - 4) Tõmmake tugevasti tagasitõmbestarterit.
  - 5) Kui mootorit on raske käivitada, siis vabastage lahtilukustuse hoob (3), tõmmake seguklapi hooba (2) ja viige I-O lüliti (1) seguklapi lukustatud asendisse. Hoides I-O lüliti (1), vabastage seguklapi hoob (2) ja lahtilukustuse hoob (3). Seejärel tõmmake starteri nuppu.
- HOIATUS: Pöörake tähelepanu sellele, et löikeriist hakkab kohe pöörlema.



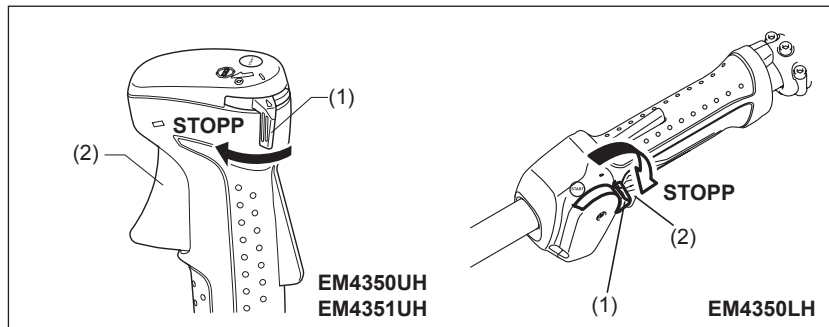
EM4350UH  
EM4351UH

EM4350LH

- 6) Kui mootor käivitub, siis vabastage lahtilukustuse hoob (3) ja tõmmake seguklapi hooba (2) ning vabastage need, et mootor lülituks tühikäigule.

## SEISKAMINE

- 1) Vabastage seguklapi hoob (2) täielikult ja pärast mootori pöörlemiskiiruse langemist seadke I-O lüliti (1) asendisse STOP, seejärel mootor seiskub.
- 2) Lõikeriist jääb pärast mootori seiskamist mõneks ajaks pöörlema. Oodake, kuni see on täielikult seiskunud.

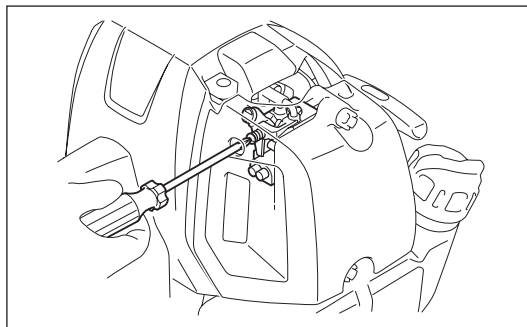


## TÜHIKÄIGUKIIRUSE REGULEERIMINE

Kui on vaja reguleerida tühikäigukiirust, siis kasutage selleks karburaatori reguleerkrui.

### TÜHIKÄIGUKIIRUSE KONTROLLIMINE

- Seadistage tühikäigukiiruseks 3000 min<sup>-1</sup>. Kui tühikäigukiirust on vaja reguleerida, kasutage parempoolsel joonisel näidatud kruvi keeramiseks ristpeakruvikeerajat.
- Tühikäigukiiruse suurendamiseks keerake reguleerkrui päripäeva suunas. Tühikäigukiiruse vähendamiseks keerake reguleerkrui vastupäeva suunas.
- Karburaator on tehases reguleeritud. Pärast mitmekordset kasutamist tuleb tühikäigukiirust siiski uuesti reguleerida.

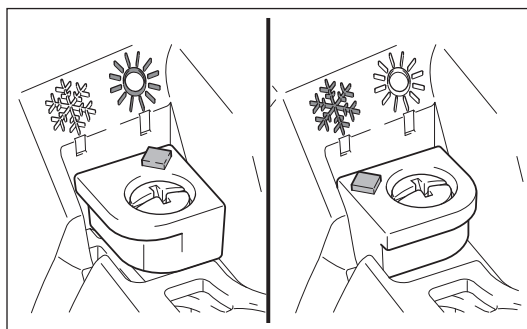
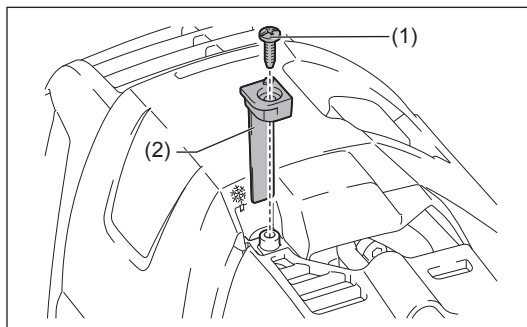


## KARBURAATORI KAITSE JÄÄTUMISE EEST

**ETTEVAATUST:** Kui ümbritseva keskkonna temperatuur on kõrgem kui 10°C, viige sulgur alati tagasi normaalse oleku seadistusse (päikese märk). Vastasel juhul võib mootor ülekuumenemise tõttu kahjustuda.

Kui ümbritseva keskkonna temperatuur on madal ja niiskusetase on kõrge, võib karburaatoris olev veeaur jääda ja mootor hakkab töötama ebakindlalt (karburaatori jäätumine). Vajadusel muutke sulguri seadistust alljärgnevalt.

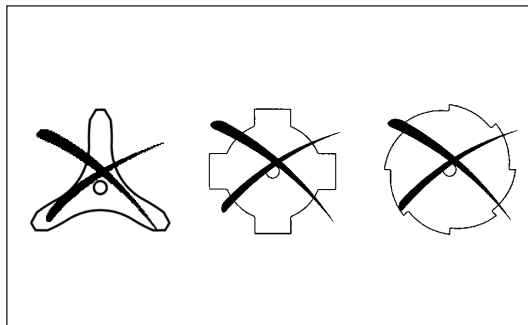
1. Eemaldage kruvi (1).
2. Muutke sulguri (2) suunda alljärgnevalt.
  - Ümbritseva keskkonna temperatuur on kõrgem kui 10°C: seadke sulgur normaalse oleku asendisse (päikese märk).
  - Ümbritseva keskkonna temperatuur on 10°C või sellest madalam: seadke sulgur jäätumisvastase oleku asendisse (lumehelbe märk).
3. Keerake kruvi kinni.



## LÕIKERIISTA TERITAMINE

**ETTEVAATUST:** Joonisel näidatud lõikeriistu ei teritata. Käsitsi teritamine võib lõikeriistad tasakaalust välja viia, põhjustades vibratsiooni ja seadme kahjustusi.

**MÄRKUS:** Lõikeriista kasutusea pikendamiseks võib seda ühe korra ümber pöörata, kuni mõlemad lõikeservad on nürid.



### NAILONIST LÕIKEPEA

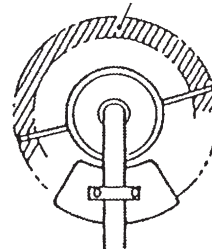
Nailonist lõikepea on kahe jõhviga trimmeripea, millel on tõuke- ja etteandemehhanismid.

Nailonist lõikepea kerib õige pikkusega nailonjõhvi ette pärast nailonist lõikepea koputamist vastu maad tsentrifugaaljõu muutmise tõttu mootori pöörete arvu suurendamisel või vähendamisel.

#### Kasutamine

- Suurendage nailonist lõikepea kiirust ligikaudu kuni 6000 min<sup>-1</sup>. Koputage nailonist lõikepead kergelt vastu maad.
- Kõige efektiivsem lõikamispiirkond on näidatud varjutatud alaga.
- Kui nailonjõhvi ei õnnestu välja kerida, siis kerige nailonjõhv tagasi/ asendage nailonjõhv nii, nagu on kirjeldatud peatükis „Nailonjõhvi asendamine“.

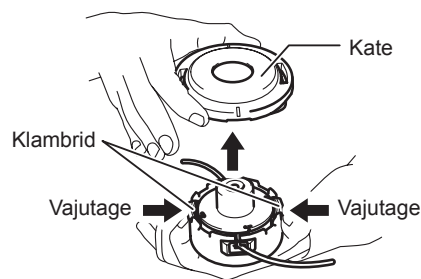
Kõige efektiivsem lõikamispiirkond



### Nailonjõhvi asendamine (TÕUKAMINE JA ETTEANDMINE)

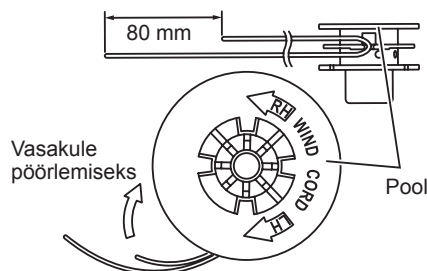
**HOIATUS:** Veenduge, et nailonist lõikepea kate oleks korpusele korralikult kinnitatud, nagu allpool kirjeldatud. Kui kate ei ole õigesti kinnitatud, siis võib nailonist lõikepea tükideks lennates põhjustada tõsise vigastuse.

Vajutage korpuse klambrid sissepoole ja tõstke kate eemaldamiseks üles. Visake ülejäänud nailonjõhv ära.

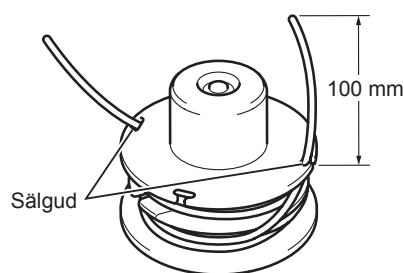


Kinnitage uue nailonjõhvi keskoht pooli keskel olevale sälgule 2 nailonjõhvi kanalite vahel. Üks jõhvi pool peab olema teisest jõhvi pooldest vähemalt 80 mm pikem.

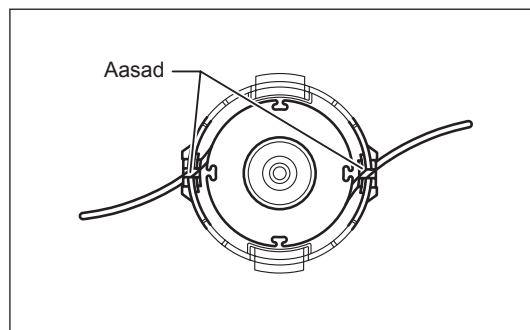
Keerake mõlemad otsad tugevasti ümber pooli lõikepeal märgitud suunas, mis viitab vasakule pöörlemiseks LH.



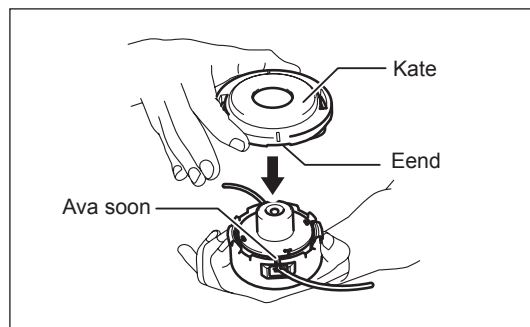
Kerige poolile kogu nõör, välja arvatud 100 mm pikkune nõöriots, mis tuleb kinnitada ajutiselt pooli küljel oleva sälgu taha.



Paigaldage pool korpusesse nii, et pooli sooned ja servad sobituksid korpuse vastavate osadega. Seadke pool nii, et tähtedega tähistatud osa oleks pealt poolt nähtav. Nüüd vabastage nõõri otsad ajutisest asendist ja suunake läbi aasade korpusest välja.

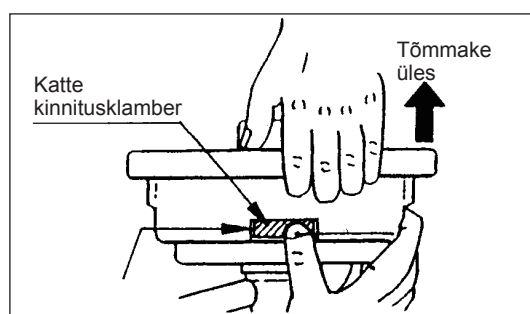


Joondage kate alumine eend avade kohale. Kinnitamiseks suruge kate kindlalt korpusele. Veenduge, et klambrid ulatuvad täielikult üle kate.

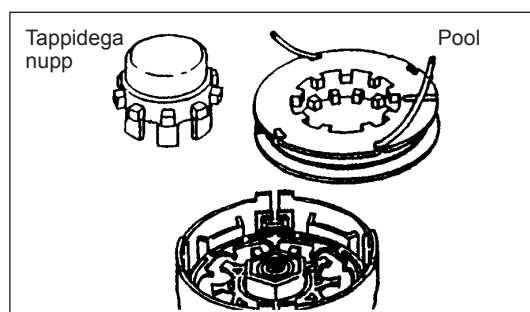


### Nailonjõhvi asendamine (ULTRA AUTO)

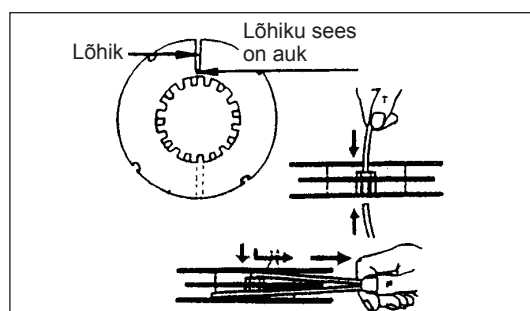
1. Eemaldage korpusest kate, vajutades kahte kinnitusklambrit, mis asuvad korpuse vastaskülgedel.



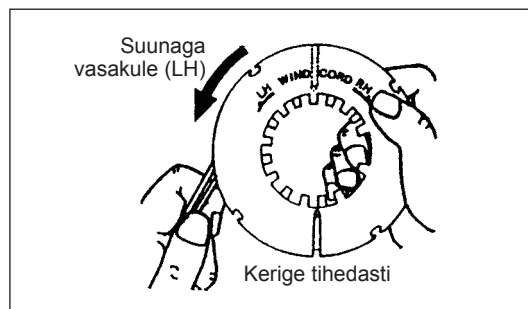
2. Võtke tappidega nupp ja pool korpusest välja.



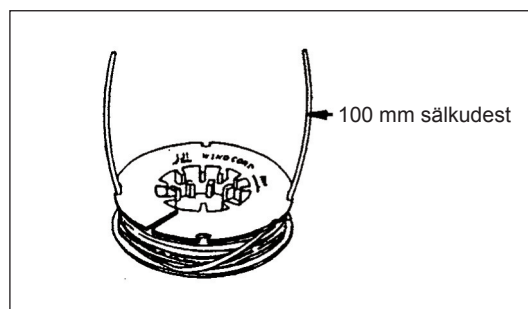
3. Pange mõlema lõikenõõri üks ots pooli ühel välistest äärikutes asuva lõhiku sees olevatesse aukudesse. Pange nõõrid pooli rennidesse läbi äärikutes olevate lõhikute.



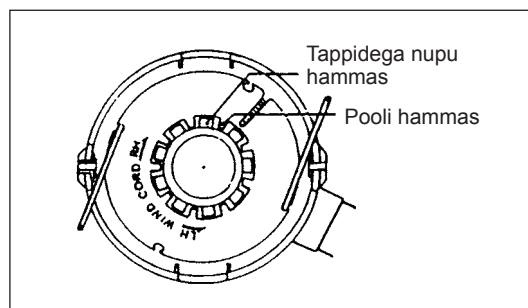
4. Kerige nõõrid tugevasti poolile suunaga vasakule (LH), nagu äärikul on näidatud. Ärge kerige nõõre ristamisi.



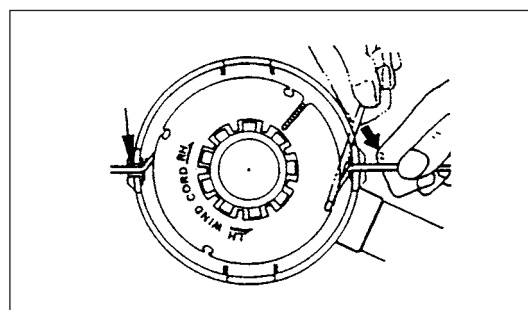
5. Kerige poolile kogu nõõr, välja arvatud umbes 100 mm pikkune nõõriots, mis kinnitage ajutiselt pooli küljel oleva sälgu taha.



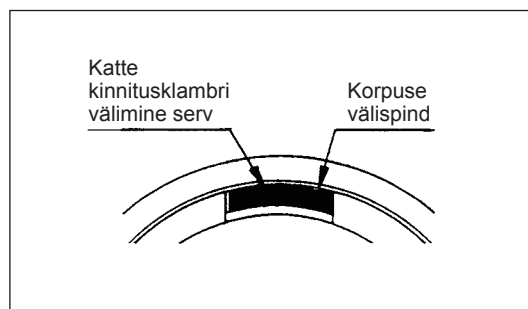
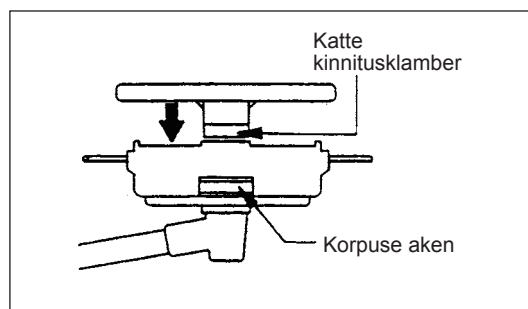
6. Paigaldage tappidega nupp korpuse ratta keskele nii, et see saaks vabalt üles ja alla liikuda vedru survele vastu pannes. Paigaldage pool korpusesse, joondades pooli hambad tappidega nupu hammastega, nii nagu hammasrattad.



7. Seadke lõikenõõrid läbi aasade.



8. Paigutage kate korpusele ning joondage katte kinnitusklambrid ja korpuse aknad. Kontrollige, et kate oleks korpusele paigaldatud ning täpselt ja korralikult kinnitatud. Katte kinnitusklambril välimine serv ja korpuse välispind peavad jääma samale ringjoonele.





## HOOLDUSJUHENDID

ETTEVAATUST: Enne ükskõik missuguste tööde teostamist seadme kallal lülitage alati mootor välja ja eemaldage süüteküünla piip (vt „Süüteküünla kontrollimine“).  
Kandke alati kaitsekindaid!

Seadme pika kasutusea tagamiseks ja kahjustuste vältimiseks tuleb regulaarselt teostada järgmisi hooldustöid.

### Igapäevane kontrollimine ja hooldus

- Enne töö alustamist kontrollige, kas seadmel pole lahtisi kruvisid ja kas kõik osad on alles. Eelkõige kontrollige, kas metallist löikepera või nailonist löikepea on korralikult kinnitatud.
- Enne töö alustamist kontrollige alati, et õhufilter poleks ummistunud ja silindri ribad poleks tõkestatud. Vajaduse korral puhastage neid.
- Teostage järgmised tööd iga päev pärast seadme kasutamist.
  - Puhastage seadet väljastpoolt ja kontrollige, et sellel ei esine kahjustusi.
  - Puhastage õhufilter. Kui töötate väga tolmuses keskkonnas, siis puhastage filtrit mitu korda päevas.
  - Kontrollige, kas löikepera või nailonist löikepea on terved ja kas need on tugevasti kinnitatud.
  - Kontrollige, kas tühikäigu- ja töökiiruse erinevus on piisav, mis peaks tagama löikeriista liikumatuks jäämise mootori tühikäigul (vajadusel vähendage tühikäigukiirust).  
Kui tarvik peaks tühikäigul ikkagi liikuma, siis pöörduge lähima ametliku teeninduse poole.
- Kontrollige, kas I-O lüliti, lahtilukustuse hoob, seguklapi hoob ja lukustusnupp on töökorras.

### MOOTORIÕLI VAHETAMINE

Riknenud mootoriõli lühendab mootori kasutusiga. Kontrollige õli ja õlitaset regulaarselt.



HOIATUS: Mootor ja mootoriõli on vahetult pärast mootori seiskamist endiselt kuumad. Jätke mootorile ja mootoriõlile piisavalt aega mahajahtumiseks. Vastasel juhul võib tagajärjeks olla põletus.

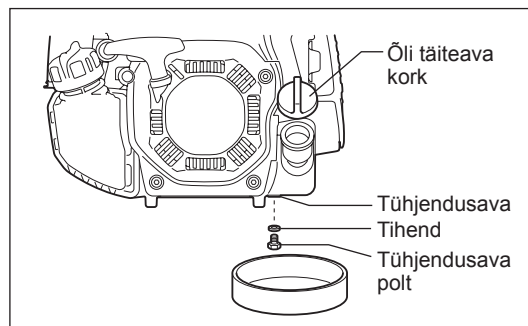
**MÄRKUS:** Kui õli on lisatud üle ettenähtud normi, võib õli saastuda või süttida, millega kaasneb valge suitsu eraldumine. Jätke pärast mootori seiskamist piisavalt aega, et mootoriõli saaks õlipaaki tagasi voolata tagamaks õlitaseme täpset näitu.

**Vahetamise intervall:** pärast esimest 20 töötundi ja seejärel iga 50 töötunni järel.

**Soovitav õli:** API-kategooria õli SAE10W-30, SF-klass või kõrgem (4-taktilise automootori õli)

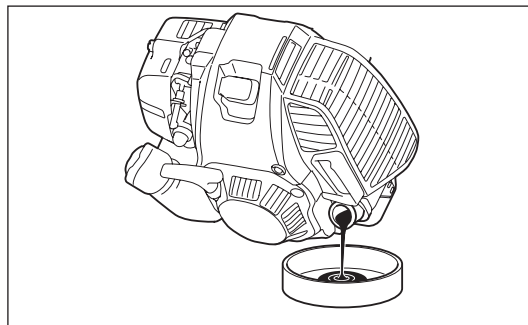
Vahetamiseks toimige järgmiselt.

- 1) Kontrollige, kas kütusepaagi kork on korralikult kinni keeratud.
- 2) Asetage suur mahuti (madal nõu vms) tühendusava alla.
- 3) Eemaldage tühendusava polt ja seejärel eemaldage õli täiteava kork, et õli saaks välja voolata.  
Ärge tühendusava poldi tihendit ära kaotage ning vältige eemaldatud komponentide määrdumist.
- 4) Kui kogu õli on välja voolanud, paigaldage tihend ja tühendusava polt ning keerake tühendusava polt korralikult kinni, et see ei tuleks lahti ega põhjustaks lekkeid.  
[Pingutusmoment: 5 Nm]  
\* Pühkige poldile ja seadmele sattunud õli ära.



#### Alternatiivne õlist tühendamise meetod

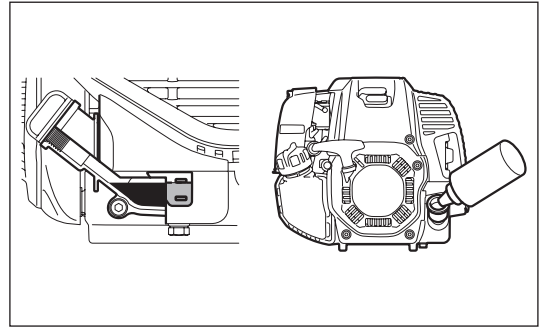
Eemaldage õli täiteava kork, kallutage seadet õli täiteava poole ja laske õlil välja voolata.  
Koguge õli mahutisse.



- 5) Seadke mootor horisontaalsesse asendisse ja lisage sellesse vähehaaval uut õli kuni ülemise taseme märgini.
- 6) Pärast õli lisamist keerake õli täiteava kork korralikult kinni, et see ei põhjustaks õli lekkimist.  
Kui õli täiteava kork ei ole tugevasti kinni keeratud, võib õli välja lekkida.

### OLULISED PUNKTID ÕLI KOHTA

- Ärge kunagi pange kasutatud õli olmejäätmete hulka, ärge kallake seda maapinnale ega kanalisatsiooni. Õli kasutuselt kõrvaldamine on seadustega reguleeritud. Järgige õli kasutuselt kõrvaldamisel alati asjakohaseid õigusakte ja määrusi. Küsige nõu ametlikust teenindusest.
- Õli rikneb isegi siis, kui seda ei kasutata. Kontrollige ja vahetage õli regulaarselt (vahetage õli iga 6 kuu tagant).



### ÕHUPUHASTI PUHASTAMINE



**HOIATUS:** Lülitage mootor välja, hoidke lahtisest tulest eemale ja ärge suitsetage.

**Kontrollimise ja puhastamise sagedus:** iga päev (iga 10 töötundi järel)

- Keerake õhuklapi hoob täiesti suletud asendisse ning vältige tolmu või mulla sattumist karburaatorisse.

#### Õhupuhasti katte eemaldamine

- Lõdvendage kaks kinnituspolti (1).
- Tõmmake õhupuhasti katet (2) ja eemaldage see.

#### Elemendi puhastamine

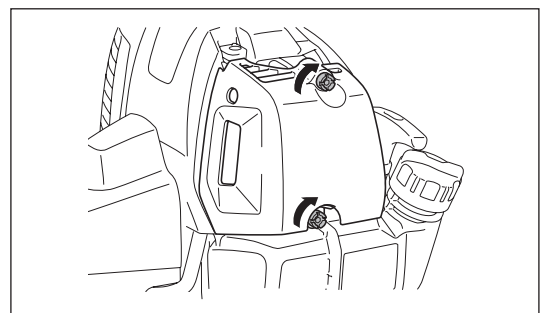
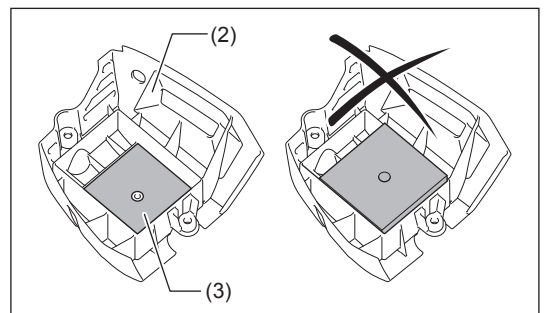
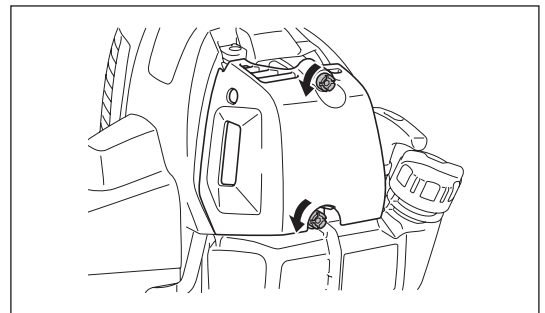
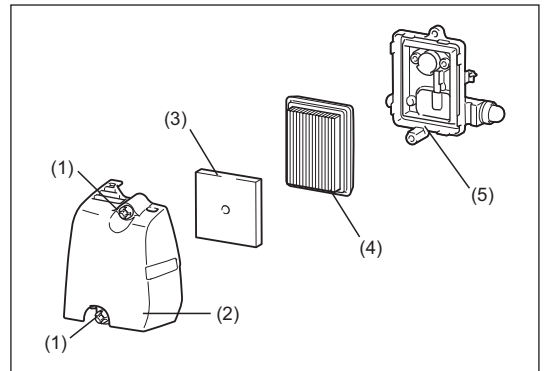
- Eemaldage elemendid (3, 4) ja mustuse eemaldamiseks koputage neid.
- Tugeva saastumise puhul:
  - 1) Eemaldage element (poroloon) (3), kastke see sooja vette või veega lahjendatud neutraalsesse puhastusvahendisse ja kuivatage täielikult. Ärge väänake ega hõõruge seda pesemise ajal.
  - 2) Puhastage elementi (paber) (4) seda õrnalt koputades. Kui kasutate õhupuhurit, siis puhuge suruõhku elementi (paber) siseküljele. Ärge peske elementi (paber).
- Enne elemendi (poroloon) kinnitamist peab see olema täielikult kuivatatud. Elemendi (poroloon) ebapiisava kuivatamise tõttu võib käivitamine olla raskendatud.
- Pühkige õhupuhasti kattele ja separaatori plaadile (5) kleepunud õli lapiga ära.

#### Õhupuhasti katte kinnitamine

- Paigaldage poroloonist element ja paberist element. Paigaldage element (poroloon) kuni lõpuni õhupuhasti katte sisse.
- Keerake õhupuhasti kate kahe kinnituspoldiga kinni.

#### NB:

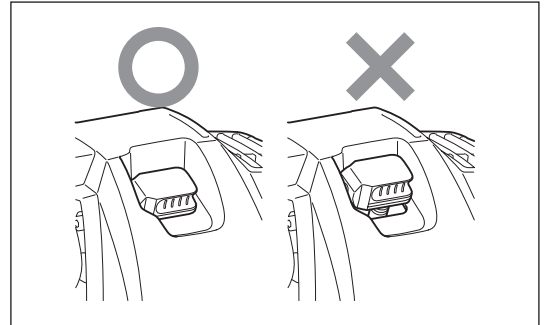
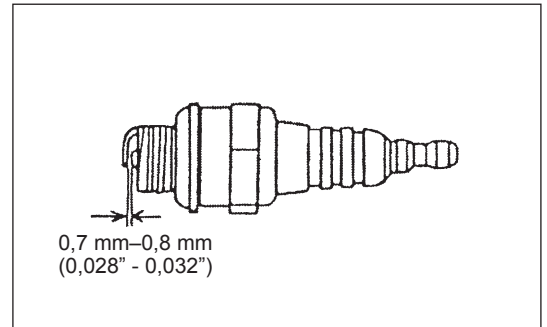
- Puhastage elemente mitu korda päevas, kui neile kleepub liigselt tolmu. Määrduvad elemendid vähendavad mootori võimsust ja põhjustavad rasket käivitumist.
- Eemaldage elementidel olev õli. Õliste elementidega töötamise korral võib õli õhufiltrist välja valguda ning tekitada keskkonna õliireostust.
- Ärge asetage elemente maapinnale ega määrduvad kohta. Vastasel korral kleepub neile mustust ja prügi ning see võib kahjustada mootorit.
- Ärge kasutage kütust elementide puhastamiseks. Kütus võib neid kahjustada.



## SÜÜTEKÜÜNLA KONTROLLIMINE

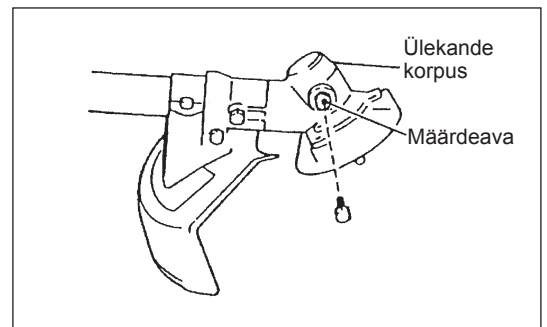
- Kasutage süüteküünla eemaldamiseks ja paigaldamiseks ainult seadmega kaasasolevat universaalvõtit.
- Süüteküünla kahe elektroodi vahe peab olema 0,7–0,8 mm. Kui vahe on liiga lai või liiga kitsas, siis reguleerige seda. Kui süüteküünal on ummistunud või saastunud, siis puhastage seda põhjalikult või vahetage välja. Pärast kontrollimist pange süüteküünla piip nõuetekohaselt tagasi, nagu joonisel on näidatud.

ETTEVAATUST: Mootori töötamise ajal on süüteküünla piibu puudutamine keelatud (kõrgepinge elektrilöögihoht).



## ÜLEKANDE KORPUSE MÄÄRIMINE

- Määrige (Shell Alvania 2 või ekvivalentne määre) ülekande korpust määrdeava kaudu iga 30 tunni järel. (MAKITA originaalmääret saate osta oma MAKITA müügiesindajalt.)



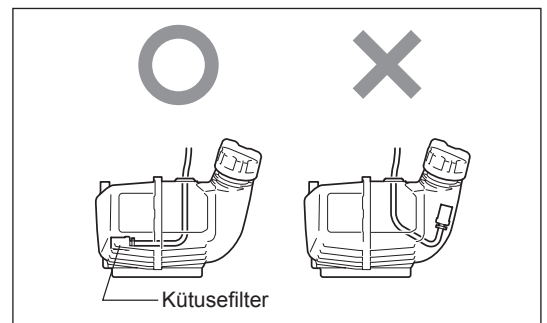
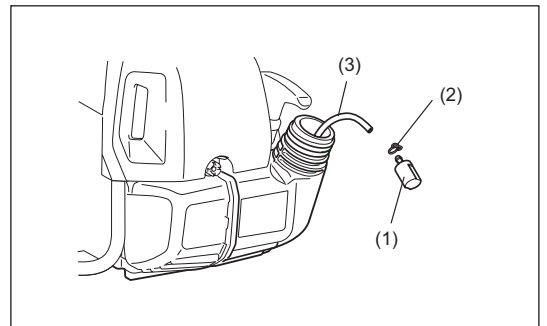
## KÜTUSEFILTRI PUHASTAMINE

### HOIATUS: KERGESTI SÜTTIVAD AINED JA MATERJALID ON RANGELT KEELATUD

Kontrollimise ja puhastamise sagedus: iga kuu (iga 50 töötunni järel)

#### Imipea kütusepaagis

- Imipea kütusefiltrit (1) kasutatakse karburaatoris vajitava kütuse filtreerimiseks.
- Kütusefiltri visuaalset kontrollimist tuleb teostada perioodiliselt. Avage paagi kork ja tõmmake imipea traatkonksuga läbi paagi avause välja. Kui filter on kõvaks muutunud või ummistunud, siis vahetage see välja.
- Vahetage kütusefiltrit vähemalt üks kord kvartalis, et tagada karburaatorile piisav kütusevarustus. Vastasel korral võib ebapiisav kütusevarustus põhjustada tõrkeid mootori käivitamisel ja vähendada suurimat töökiirust.
- Pärast kontrollimist, puhastamist või väljavahetamist kinnitage kütusefilter voolikuklambriga (2) kütusetoru külge (3). Lükake kütusefilter kuni lõpuni kütusepaagi põhja.



## KÜTUSETORU VÄLJAVAHETAMINE

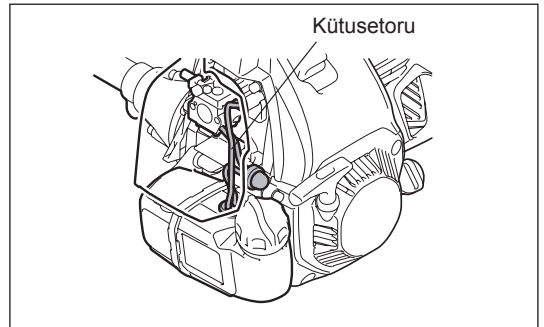
### ETTEVAATUST: KERGESTI SÜTTIVAD AINED JA MATERJALID ON RANGELT KEELATUD

Kontrollimise ja puhastamise sagedus: iga päev (iga 10 töötunni järel)

Väljavahetamine: kord aastas (iga 200 töötunni järel)

Vahetage kütusetoru välja igal aastal, hoolimata töötamise sagedusest. Kütuse lekkimine võib põhjustada tulekahju.

Kui avastate kontrollimise käigus lekkeid, siis vahetage kütusetoru kohe välja.



### POLTIDE, MUTRITE JA KRUVIDE KONTROLLIMINE

- Keerake lahtised poldid, mutrid jms kinni.
- Kontrollige kütusepaagi korgi ja õli täiteava korgi tihedust. Kontrollige, kas ei esine kütuse ja õli lekkeid.
- Vahetage kahjustunud osad välja, et tagada ohutu töötamine.

### OSADE PUHASTAMINE

- Hoidke mootor alati puhas ning pühkige seda riidelapiga.
- Hoidke silindri ribad puhtad tolmust või mullast. Ribidele kleepunud tolm või muld võivad põhjustada kolvi kinnijäämist.

### TIHENDITE VÄLJAVAHETAMINE

Kui mootor lahti monteeritakse, siis vahetage ka tihendid välja.

Kõik hooldustööd ja reguleerimised, mida käesolevas kasutusjuhendis pole kirjeldatud, tuleb lasta teha üksnes ametlikus teeninduses.

## HOIUSTAMINE

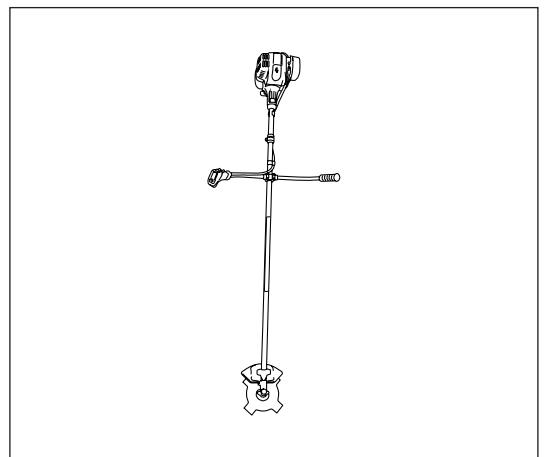


**HOIATUS:** Mootor on vahetult pärast mootori seiskamist endiselt kuum. Seadme kütusest tühjendamisel jätkke pärast mootori seiskamist piisavalt aega selle jahtumiseks. Vastasel juhul võib tagajärjeks olla põletus ja või tulekahju.



**OHTLIK:** Kui seadet ei kasutata pika aja jooksul, siis eemaldage kogu kütus kütusepaagist ja karburaatorist ning pange seade kuiva ja puhtasse kohta hoiule.

- Kütusepaagi ja karburaatori tühjendamiseks kütusest toimige järgnevalt:
  - 1) Eemaldage kütusepaagi kork ja tühjendage paak täielikult kütusest. Eemaldage paaki jäänud mis tahes võõraine.
  - 2) Tõmmake kütusefilter traatkonksuga läbi täiteava välja.
  - 3) Vajutage kütusepumpa, kuni see on kütusest tühi, ning eemaldage paaki voolanud kütus.
  - 4) Paigaldage filter kütusepaaki tagasi ja keerake kütusepaagi kork tugevasti kinni.
  - 5) Seejärel oodake, kuni mootor seiskub.
- Eemaldage süüteküünal ja tilgutage mõned tilgad mootoriõli läbi süüteküünla augu.
- Tõmmake aeglaselt starteri käepidet, et mootoriõli saaks ümber mootori laiali valguda, ja pange süüteküünal tagasi.
- Paigaldage kaitsekate metallist lõiketerale.
- Üldiselt tuleks seadet hoida horisontaalasendis. Kui see ei ole võimalik, tuleb seade paigutada nii, et lõikeosa jääks mootorist allapoole. Kehavigastuste ohu vältimiseks veenduge, et seade ei saa ümber kukkuda.
- Hoidke seadmest eemaldatud õli selleks otstarbeks ettenähtud mahutis hästi ventileeritavas kohas.



### Kasutuselevõtt pärast pikaajalist hoiustamist

- Enne seadme uuesti kasutusele võtmist vahetage kindlasti õli (vt lk 185). Õli rikneb, kui seadet ei kasutata.

Nimetus	Tööaeg	Enne töö alustamist	Pärast kütuse lisamist	Iga päev (10 h)	30 h	50 h	200 h	Enne hoiustamist	Vastav lk
Mootoriõli	Kontrollida/ puhastada	○							175
	Vahetada välja					○*1			185
Pinguldatavad osad (poldid, mutrid)	Kontrollida	○							187
Kütusepaak	Puhastada/ kontrollida	○							—
	Tühjendada kütusest							○*3	188
Seguklapi hoob	Kontrollida korrasolekut		○						—
Stopp-lüliti	Kontrollida korrasolekut		○						185
Lõikeriist	Kontrollida	○		○					172
Tühikäigukiirus	Kontrollida/ reguleerida			○					181
Õhupuhasti	Puhastada			○					186
Süüteküünal	Kontrollida			○					187
Jahutusõhu läbivool ja silindri ribid	Puhastada/ kontrollida			○					188
Kütusetoru	Kontrollida			○					188
	Vahetada välja						◎*2		—
Ülekande korpuse määrimine	Täita				○				187
Kütusefilter	Puhastada/ vahetada välja					○			187
Klapivahe (sisselaskeklapp ja väljalaskeklapp)	Kontrollida/ reguleerida						◎*2		—
Karburaator	Tühjendada kütusest							○*3	188

\*1 Teostage esimene asendamine pärast 20 töötundi.

\*2 Kontrollimiseks pärast 200 töötundi pöörduge ametliku teeninduse või töökoja poole.

\*3 Pärast kütusepaagi tühjendamist jätke mootor tööle ja eemaldage karburaatoris olev õli.

## VEAOTSING

Enne remonditööde tellimist teenindustöökojast proovige viga ise üles leida ja kõrvaldada. Tõrke esinemisel kontrollige seadet vastavalt käesoleva kasutusjuhendi kirjeldusele. Ärge muutke ega monteeri omavoliliselt lahti ühtki osa, mis pole kooskõlas käesolevas kasutusjuhendis kirjeldatuga. Remonditööde teostamiseks pöörduge ametliku teeninduse või kohaliku müügiesindaja poole.

Tõrke olemus	Võimalik põhjus (riike)	Abinõu
Mootor ei käivitu	I-O lüliti on seatud asendisse „STOP“.	Seadke I-O lüliti asendisse „TÖÖTAMINE“.
	Kütusepumba tõrge	Vajutage 7 kuni 10 korda
	Starteri trossi tõmbamiskiirus on aeglane	Tõmmake jõuliselt
	Kütus on otsas	Lisage kütust
	Kütusefilter on ummistunud	Puhastage
	Kütusetoru on purunenud	Seadke kütusetoru korda
	Kütus on riknenud	Riknenud kütus muudab käivitamise palju raskemaks. Asendage värske kütusega. (Soovitav asendamise sagedus: 1 kuu järel.)
	Liigne kütuse imemine	Seadke seguklapi hoob keskmiselt kiiruselt täiskiirusele ja tõmmake starteri käepidemest, kuni mootor käivitub. <b>Kui mootor käivitub, hakkab metallist lõiketera pöörlema. Pöörake kogu tähelepanu metallist lõiketerale.</b> Kui mootor ikkagi ei käivitu, siis eemaldage süüteküünal, kuivatage elektrood ja monteeri need ümber nii, nagu need algselt olid. Seejärel käivitage, nagu ette on nähtud.
	Süüteküünla piip on lahti	Kinnitage korralikult
	Süüteküünal on saastunud	Puhastage
	Süüteküünla elektroodide vahe on vale	Reguleeri vahe pikkust
	Süüteküünla muu riike	Vahetage välja
	Karburaatori tõrge	Laske kontrollida ja hooldada töökojas.
	Starteri trossi ei saa tõmmata	Laske kontrollida ja hooldada töökojas.
Ajamisüsteemi tõrge	Laske kontrollida ja hooldada töökojas.	
Mootor seiskub peagi Mootori kiirus ei suurene	Ebapiisav soekäivitus	Teostage ülessoojendamine
	Õhuklapi hoob on seatud asendisse „SULETUD“, kuigi mootor on soojendatud.	Seadke asendisse „AVATUD“
	Kütusefilter on ummistunud	Puhastage
	Õhupuhasti on ummistunud või saastunud	Puhastage
	Karburaatori tõrge	Laske kontrollida ja hooldada töökojas.
	Ajamisüsteemi tõrge	Laske kontrollida ja hooldada töökojas.
Metallist lõiketera ei pöörle ↓ Seisake mootor viivitamatult	Metallist lõiketera kinnitusmutter on lahti.	Keerake tugevamini kinni.
	Metallist lõiketerale või kaitsekattele on kogunenud oksid.	Eemaldage võõrkehaded.
	Ajamisüsteemi tõrge	Laske kontrollida ja hooldada töökojas.
Seade vibreerib ebanormaalselt ↓ Seisake mootor viivitamatult	Metallist lõiketera on purunenud, paindunud või kulunud	Vahetage metallist lõiketera välja.
	Metallist lõiketera kinnitusmutter on lahti.	Keerake tugevamini kinni.
	Metallist lõiketera kumer osa ja metallist lõiketera tugidetail on nihkunud.	Kinnitage korralikult
	Ajamisüsteemi tõrge	Laske kontrollida ja hooldada töökojas.
Metallist lõiketera ei seisku kohe ↓ Seisake mootor viivitamatult	Suur pöörlemiskiirus tühikäigul	Reguleeri
	Gaasihoova juhe on ühendusest lahti	Kinnitage korralikult
	Ajamisüsteemi tõrge	Laske kontrollida ja hooldada töökojas.
Mootor ei seisku ↓ Laske mootoril töötada tühikäigul ja seadke õhuklapi hoob asendisse „SULETUD“	Klemm on lahti	Kinnitage korralikult
	Elektrisüsteem on rikkis	Laske kontrollida ja hooldada töökojas.

Kui mootor ei käivitu pärast soojendamist:

kui vead puuduvad vastavalt kontrollinimekirjale, siis avage seguklapp umbes 1/3 ulatuses ja käivitage mootor.

Благодарим вас за приобретение садового механизированного инструмента MAKITA. Мы рады представить вам изделие MAKITA, созданное в результате длительной разработки, на основе многолетнего опыта и глубокого знания этой области.

Прочтите данный буклет, в котором приведено подробное описание изделия, демонстрирующее его исключительные возможности. Это поможет вам максимально эффективно использовать изделие MAKITA.



Содержание	Стр.
Символы .....	191
Инструкции по технике безопасности .....	192
Технические данные .....	196
Компоненты изделия .....	197
Установка рукоятки .....	198
Установка защиты .....	199
Установка металлических ножей или нейлоновой режущей головки .....	201
Перед началом работы .....	202
Правильное обращение с устройством .....	204
Примечания по эксплуатации и выключению устройства .....	206
Заточка режущего элемента .....	209
Указания по обслуживанию .....	212
Хранение .....	215

## СИМВОЛЫ

При чтении руководства вам будут встречаться следующие символы.

	Прочитайте руководство по эксплуатации и соблюдайте все предупреждения и меры безопасности!		Не допускать в рабочую зону посторонних лиц и животных!
	Обратите особое внимание!		Надевать каску, защитные очки и использовать средства защиты слуха!
	Запрещено!		Максимально допустимая скорость инструмента
	Сохраняйте дистанцию!		Топливо (бензин)
	Опасность разлета предметов!		Двигатель - запуск вручную
	Отдача!		Аварийное выключение
	Не курить!		Первая помощь
	Беречь от открытого огня!		ВКЛ./ПУСК
	Обязательно надевать защитные перчатки!		ВЫКЛ./СТОП
	Обувайте прочные ботинки с нескользящими подошвами. Рекомендуется использовать защитную обувь со стальными подносками!		ФИКСИРОВАННОЕ ПОЛОЖЕНИЕ ДРОССЕЛЬНОЙ ЗАСЛОНКИ

## ИНСТРУКЦИИ ПО ТЕХНИКЕ БЕЗОПАСНОСТИ

### Общие указания

- Прочтите это руководство, чтобы ознакомиться с приемами работы с инструментом. Недостаточно информированные пользователи подвергают опасности себя и окружающих.
- Рекомендуется предоставлять изделие в пользование только тем людям, которые подтвердили наличие опыта в обращении с ним. Обязательно передавайте вместе с устройством и руководство по эксплуатации.
- Пользователям, не имеющим опыта эксплуатации, следует обратиться к дилеру за рекомендациями по обращению с бензокосами.
- Детям и подросткам до 18 лет не разрешается эксплуатировать изделие. Вместе с тем, лица старше 16 лет могут использовать устройство для обучения, но только под руководством квалифицированного наставника.
- Используйте изделие с максимальным вниманием и осторожностью.
- Разрешается эксплуатировать изделие только если вы находитесь в хорошем физическом состоянии. Выполняйте все работы спокойно и тщательно. Пользователь несет ответственность за окружающих.
- Запрещается использовать оборудование в состоянии алкогольного/ наркотического опьянения, при усталости или болезни.
- Национальное законодательство может ограничивать использование устройства.

### Назначение устройства

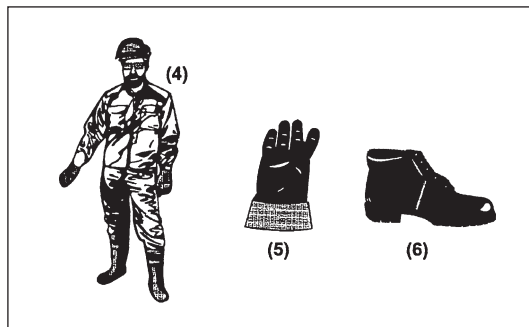
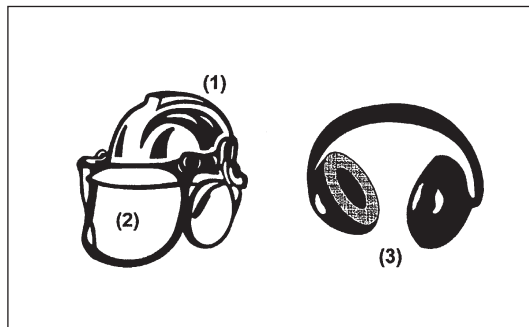
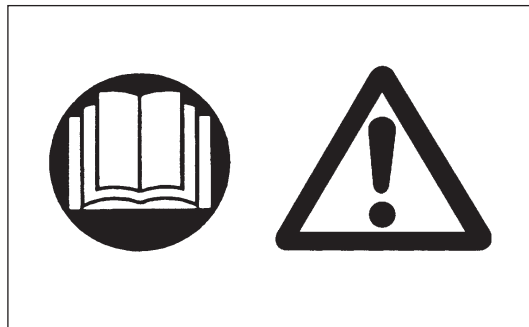
- Данное оборудование предназначено исключительно для срезания травы, прополки, обрезки кустов и т.п. Запрещается использовать устройство для любых других целей, таких как подрезка живой изгороди, так как это может привести к травме.

### Индивидуальные средства защиты

- Рабочая одежда должна быть функциональной и соответствующей выполняемым работам, т.е. должна быть в меру облегчающей. Не надевайте ювелирные украшения или одежду, которая может зацепиться за кусты или ветки.
- Чтобы избежать травм головы, глаз, рук или ног, а также органов слуха, при эксплуатации необходимо использовать следующее защитное оборудование и защитную одежду.
- Если существует риск падения предметов, обязательно надевайте защитный шлем. Защитный шлем (1) необходимо проверять на регулярной основе на предмет повреждений, его следует заменять не позднее чем через 5 лет. Пользуйтесь только сертифицированными защитными шлемами.
- Защитный щиток (2) шлема (либо защитные очки) закрывает лицо от разлетающихся камешков и мусора. Во время работы обязательно носите защитные очки или щиток для защиты органов зрения от травм.
- Для защиты органов слуха используйте надлежащие устройства (наушники (3), беруши и пр.).
- Рабочий комбинезон (4) защищает от разлетающихся камешков и мусора. Настоятельно рекомендуем надевать рабочий комбинезон.
- Перчатки (5) входят в перечень необходимого оборудования, во время работы их надлежит использовать в обязательном порядке.
- При использовании оборудования обязательно надевайте прочные ботинки (6) с нескользящей подошвой. Они защитят от травм и обеспечат хорошую устойчивость при работе.

### Включение бензокосы

- Убедитесь, что в радиусе 15 метров (50 футов) от места работы нет детей и других лиц, обратите также внимание на животных, которые находятся поблизости.
- Перед началом работы обязательно проверяйте безопасность оборудования: Проверьте безопасность режущего инструмента, свободу перемещения рычага дроссельной заслонки и надлежащее функционирование блокиратора рычага дроссельной заслонки.
- На холостом ходу режущий инструмент не должен вращаться. Если у вас возникают какие-либо сомнения, обратитесь к дилеру для настройки. Убедитесь, что рукоятки чистые и сухие, и проверьте функционирование выключателя.



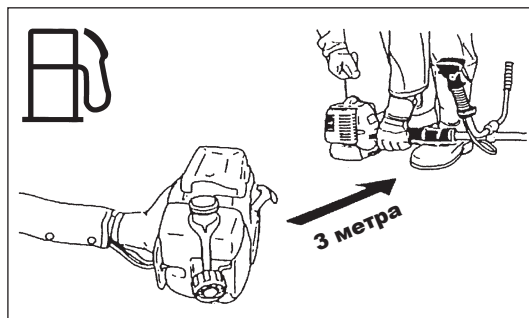
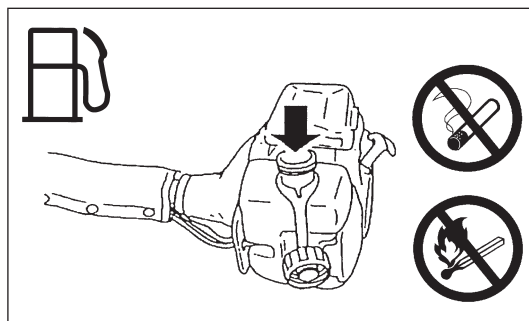
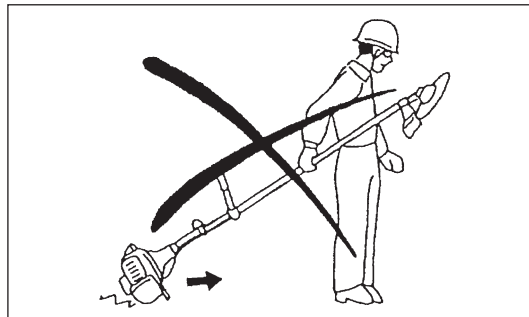
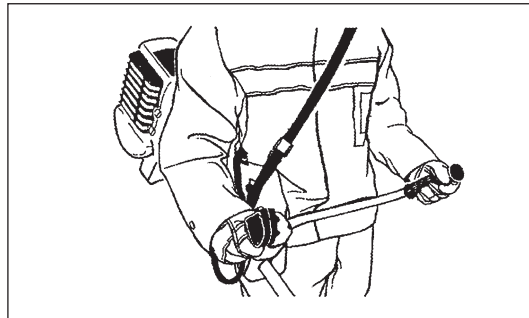
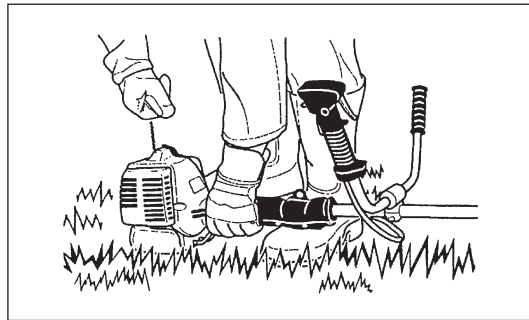


Пуск бензокосы следует выполнять согласно инструкциям.

- Не используйте другие методы запуска двигателя!
- Используйте бензокосу и инструменты только по назначению.
- Двигатель можно запускать только после полной сборки устройства. Эксплуатация устройства допускается только после установки всех необходимых принадлежностей!
- Перед пуском двигателя убедитесь, что режущий инструмент не касается твердых предметов, таких как ветки, камни и т.п., так как при пуске режущий инструмент начнет вращаться.
- В случае возникновения любых проблем с двигателем его следует немедленно выключить.
- В случае удара режущего инструмента о камень или другой твердый предмет немедленно выключите двигатель и осмотрите режущий инструмент.
- Осматривайте режущий инструмент на предмет повреждений через непродолжительные отрезки времени (постукивание свидетельствует о наличии микротрещин).
- Если оборудование получило сильный удар или упало, перед продолжением работы проверьте его состояние. Проверьте топливную систему на предмет утечек, а также органы управления и системы защиты на предмет исправности. При возникновении сомнений или обнаружении повреждения обратитесь в наш авторизованный сервисный центр для осмотра инструмента и ремонта.
- Эксплуатируйте оборудование только с надетыми плечевыми ремнями, который необходимо соответствующим образом отрегулировать до начала использования бензокосы. Чтобы не допустить переутомления при работе, очень важно подобрать надлежащую длину плечевых ремней в соответствии с ростом и комплекцией пользователя. Запрещается во время работы удерживать устройство только одной рукой.
- Во время работы обязательно держите бензокосу двумя руками. Обязательно проверяйте надежность опоры под ногами.
- Эксплуатируйте оборудование так, чтобы не допустить вдыхания отработавших газов. Запрещается включать двигатель в закрытых помещениях (риск отравления газами). Окись углерода - это газ без запаха.
- При перерыве в работе или оставляя оборудование без присмотра, выключайте двигатель, и кладите устройство в безопасное место, чтобы предотвратить опасность для окружающих или повреждение самого устройства.
- Не кладите горячую бензокосу на сухую траву или на горючие материалы.
- Перед пуском двигателя обязательно устанавливайте на оборудование сертифицированное ограждение режущего инструмента. В противном случае касание режущего инструмента может привести к тяжелой травме.
- Все защитные приспособления и ограждения, входящие в комплект поставки устройства, должны использоваться при эксплуатации.
- Запрещается эксплуатировать двигатель с неисправным глушителем.
- Выключайте двигатель на время транспортировки.
- Во время транспортировки оборудования обязательно устанавливайте крышку металлического ножа.
- При транспортировке на автотранспорте расположите оборудование так, чтобы не допустить утечки топлива.
- При перевозке топливный бак должен быть пустым.
- При разгрузке оборудования с грузовика не бросайте двигатель на землю, так как это может привести к серьезному повреждению топливного бака.
- За исключением экстренных случаев, не бросайте оборудование на землю, так как это может стать причиной серьезного повреждения устройства.
- Не забывайте поднимать устройство над землей при перемещении. Волочить топливный бак по земле очень опасно, это может привести к его повреждению, утечке топлива и возможности возгорания.

## Дозаправка

- На время заправки выключайте двигатель, берегите его от открытого пламени и не курите.
- Не допускайте попадания минеральных масел на кожу. Не вдыхайте пары топлива. Во время заправки обязательно надевайте защитные перчатки. Регулярно меняйте и чистите защитную одежду.
- Не допускайте разлива топлива или масла, чтобы предотвратить загрязнение почвы (защита окружающей среды). Очищайте бензокосу немедленно после разлива топлива.
- Не допускайте попадания топлива на одежду. Если на одежду попало топлива, следует незамедлительно переодеться (для предотвращения возгорания одежды).
- Регулярно осматривайте крышку топливного бака, чтобы убедиться в надежности ее установки и отсутствия течи топлива.
- Плотно затягивайте крышку топливного бака. Перед запуском двигателя отойдите в сторону (как минимум на 3 метра от места заправки).
- Запрещается заправлять топливо в закрытых помещениях. Пары топлива скапливаются у земли (опасность взрыва).
- Перевозите и храните топливо только в сертифицированных канистрах. Обеспечьте недосягаемость хранящегося топлива для детей.



## Способ эксплуатации

- Разрешается использовать инструмент только при хорошем освещении и видимости. В зимнее время помните о скользких или мокрых поверхностях, наличии льда и снега (риск поскользывания). Обязательно проверяйте надежность опоры под ногами.
- Никогда не выполняйте резку на высоте выше уровня пояса.
- Запрещается становиться на лестницу.
- Запрещается влезать на деревья для выполнения обрезки.
- Запрещается работать на неустойчивых поверхностях.
- Удаляйте из рабочей зоны песок, камни, гвозди и пр. Посторонние предметы могут повредить режущий инструмент и вызвать сильную отдачу инструмента.
- Перед тем как приступить к обрезке, необходимо дождаться, пока режущий инструмент наберет полную скорость.
- При использовании металлических лезвий равномерно водите инструментом вправо-влево (как косой). В случае застревания травы или веток между режущим инструментом и ограждением обязательно выключите двигатель, прежде чем приступить к очистке. Самопроизвольное движение ножа может привести к тяжелой травме.
- Чтобы не потерять контроль над инструментом из-за усталости, делайте перерывы в работе. Рекомендуется делать 10 - 20 минутные перерывы после каждого часа работы.

## Режущие инструменты

- Используйте только те режущие инструменты, которые соответствуют характеру выполняемой работы. Нейлоновая режущая головка (триммерная головка) подходит для подрезки газонной травы. Металлические лезвия предназначены для резки сорняков, высокой травы, кустов, веток, поросли и т.д. Запрещается использовать другие ножи, в том числе металлические поворотные цепи и цепные ножи. Это может привести к серьезным травмам.
- При использовании металлических лезвий избегайте отдачи инструмента и будьте к ней готовы. См. раздел “Отдача” и “Предотвращение отдачи”.

## Отдача (осевое движение ножей)

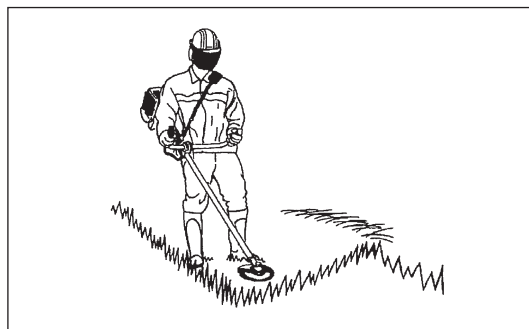
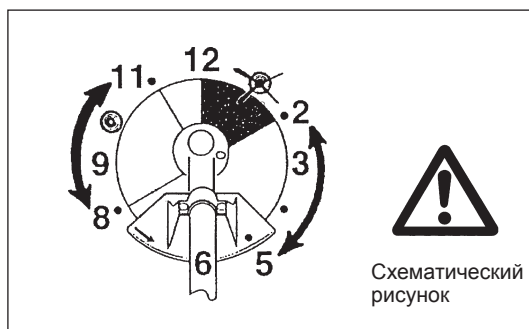
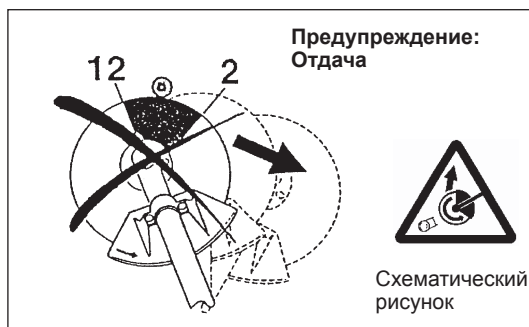
- Отдача (осевое движение ножей) – это внезапная реакция на защемление или сильный удар металлического ножа. В этом случае оборудование со значительной силой отбрасывается в сторону или по направлению к оператору, что может стать причиной серьезной травмы.
- Отдача чаще происходит при установке части лезвия в положение между 12 и 2 часами в твердые предметы, кусты или деревья диаметром 3 см и более.
- Чтобы избежать отдачи:
  - устанавливайте участок лезвия в положение между 8 и 11 часами;
  - не устанавливайте участок лезвия в положение между 12 и 2 часами;
  - не устанавливайте участок лезвия в положение между 11 и 12 часами и между 2 и 5 часами (за исключением случаев, когда оператор имеет достаточный опыт эксплуатации устройства и осознает всю степень риска);
  - не используйте металлические ножи рядом с твердыми объектами, такими как ограждения, стены, стволы деревьев и камни;
  - не используйте металлические ножи вертикально, например, для таких операций, как обрезка кромок живой изгороди и ее стрижка.

## Вибрация

- Лица, имеющие нарушения системы кровообращения, работающие в условиях сильных вибраций, могут подвергаться риску травм кровеносных сосудов или нервной системы. Вибрации могут привести к возникновению следующих симптомов в пальцах, руках или запястьях. “Сонный паралич” (онемение), покалывание, боль, чувство пронзающей боли или изменение цвета кожи. В случае возникновения любого из этих симптомов обратитесь к врачу.
- Чтобы уменьшить риск “синдром белых пальцев”, старайтесь, чтобы во время работы руки не замерзали, а также поддерживайте в исправном состоянии оборудование и принадлежности.

## Инструкции по уходу

- Обслуживайте оборудование в нашем авторизованном сервисном центре, с использованием оригинальных запасных частей. Неправильный ремонт и некачественное обслуживание могут сократить срок службы оборудования и повысить риск несчастных случаев.
- Перед началом работы необходимо проверять состояние устройства, в частности, защитных приспособлений режущего инструмента и плечевого ремня. Особое внимание следует обращать на металлические ножи, которые необходимо правильно затачивать.
- При замене или затачивании режущего узла, а также при очистке косы или режущего инструмента выключайте двигатель и снимайте электрический провод свечи зажигания.



## Запрещается выпрямлять или сваривать поврежденные режущие инструменты.

- Берегите природу. Для снижения объемов выбросов — и уменьшения шума избегайте чрезмерного открытия дроссельной заслонки. Отрегулируйте карбюратор надлежащим образом.
- Регулярно очищайте оборудование и проверяйте надежность затяжки всех винтов и гаек.
- Запрещается обслуживать и хранить оборудование вблизи источника открытого огня.
- Обязательно храните оборудование в запечатанном помещении, с пустым топливным баком.
- При чистке, обслуживании и хранении оборудования обязательно надевайте крышку на металлический нож.



Соблюдайте соответствующие инструкции по технике безопасности, выпущенные соответствующими отраслевыми объединениями и страховыми компаниями.

Не производите каких-либо модификаций оборудования, это опасно.

Обслуживание и ремонт силами пользователя ограничиваются действиями, описанными в данном руководстве. Все остальные работы должен выполнять официальный представитель сервисной службы. Используйте только оригинальные запасные части и аксессуары производства MAKITA.

Использование несертифицированных аксессуаров и инструментов увеличивает риск несчастного случая.

MAKITA не несет ответственность за аварии или повреждения, вызванные использованием несертифицированных режущих инструментов или аксессуаров.

## Первая помощь

В случае происшествия убедитесь, что поблизости от места выполнения работ имеется аптечка первой помощи. Незамедлительно заменяйте все использованные компоненты аптечки.

## Обращаясь за помощью, сообщайте следующую информацию:

- Место происшествия
- Что случилось
- Число пострадавших
- Характер травм
- Свое имя



---

Только для европейских стран

## Декларация о соответствии ЕС

**Makita Corporation, являясь ответственным производителем, заявляет, что следующие устройства Makita:**

Обозначение устройства: Бензокоса

№ модели / тип: EM4351UH, EM4350UH, EM4350LH

Технические характеристики: см. таблицу "ТЕХНИЧЕСКИЕ ДАННЫЕ"

являются серийными изделиями и

**соответствуют следующим директивам ЕС:**

2000/14/ЕС, 2006/42/ЕС

И изготовлены в соответствии со следующими стандартами или нормативными документами:

EN ISO 11806-1

Техническая документация хранится у официального представителя в Европе:

Makita International Europe Ltd.,

Michigan Drive, Tongwell, Milton Keynes, Bucks MK15 8JD, England

Процедура оценки соответствия согласно директиве 2000/14/ЕС была проведена в соответствии с приложением V.

EM4351UH:

Измеренный уровень звуковой мощности: 114,3 дБ

Гарантированный уровень звуковой мощности: 116 дБ

EM4350UH:

Измеренный уровень звуковой мощности: 113,8 дБ

Гарантированный уровень звуковой мощности: 115 дБ

EM4350LH:

Измеренный уровень звуковой мощности: 110,7 дБ

Гарантированный уровень звуковой мощности: 112 дБ

8. 9. 2011

Tomoyasu Kato (Томояшу Като)

Директор

Makita Corporation

3-11-8, Sumiyoshi-cho,

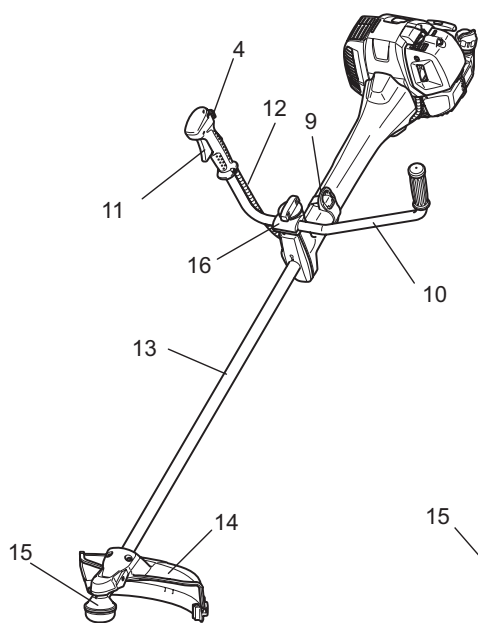
Anjo, Aichi, JAPAN

## ТЕХНИЧЕСКИЕ ДАННЫЕ EM4351UH, EM4350UH, EM4350LH

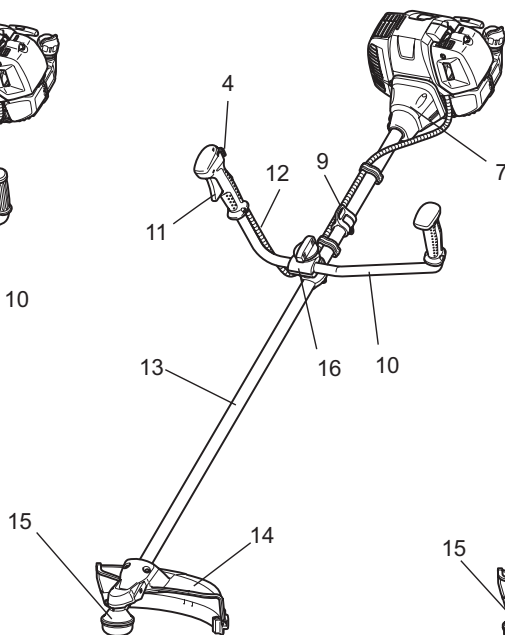
Модель			EM4351UH	EM4350UH	EM4350LH					
Тип рукоятки			Велосипедная рукоятка	Велосипедная рукоятка	Рамочная рукоятка					
Размеры: длина x ширина x высота (без режущего узла)			мм	1812 x 618 x 528	1812 x 635 x 460	1812 x 339 x 250				
Масса (без пластикового защитного кожуха и режущего узла)			кг	8,6	8,3	7,9				
Объем (топливный бак)			л	0,6						
Объем (маслобак)			л	0,1						
Рабочий объем двигателя			см <sup>3</sup>	43,0						
Максимальная мощность двигателя			кВт	1,5 при 7500 мин <sup>-1</sup>						
Обороты двигателя при рекомендованной максимальной скорости шпинделя			мин <sup>-1</sup>	10500						
Максимальная скорость шпинделя (соответствующая)			мин <sup>-1</sup>	7200						
Холостые обороты			мин <sup>-1</sup>	3000						
Скорость включения муфты			мин <sup>-1</sup>	4000						
Карбюратор			Мембранный тип							
Система зажигания			Бесконтактное, магнитного типа							
Свеча зажигания			тип	NGK CMR6A						
Зазор электродов			мм	0,7 - 0,8						
			НОЖ	НЕЙЛОНОВАЯ РЕЖУЩАЯ ГОЛОВКА	НОЖ	НЕЙЛОНОВАЯ РЕЖУЩАЯ ГОЛОВКА	НОЖ	НЕЙЛОНОВАЯ РЕЖУЩАЯ ГОЛОВКА	НОЖ	НЕЙЛОНОВАЯ РЕЖУЩАЯ ГОЛОВКА
Вибрация по ISO 22867	Правая рукоятка (Задняя рукоятка)	$a_{fv\ eq}$	м/с <sup>2</sup>	2,2	2,5	3,1	4,0	4,2	2,6	
		Погрешность (К)	м/с <sup>2</sup>	0,5	0,3	0,5	0,7	1,1	0,7	
	Левая рукоятка (Передняя рукоятка)	$a_{fv\ eq}$	м/с <sup>2</sup>	1,7	2,6	4,8	5,0	3,8	3,7	
		Погрешность (К)	м/с <sup>2</sup>	0,5	1,3	2,9	0,6	1,0	1,4	
Средний уровень звукового давления по ISO 22868		$L_{PA\ eq}$	дБ А	92,4	99,8	91,2	99,1	92,8	94,9	
		Погрешность (К)	дБ А	1,8	1,0	2,2	1,3	1,6	2,1	
Средний уровень мощности звука по ISO 22868		$L_{WA\ eq}$	дБ А	101,8	114,3	103,1	113,8	103,4	107,7	
		Погрешность (К)	дБ А	1,8	1,5	1,1	1,1	1,5	1,2	
Топливо			Автомобильный бензин							
Моторное масло			Масло API SF или выше, SAE 10W-30 (масло для четырехтактных автомобильных двигателей)							
Режущие инструменты (диаметр режущего диска)			мм	305 (с тремя лезвиями)						
Передаточное число			13/19							

# КОМПОНЕНТЫ ИЗДЕЛИЯ

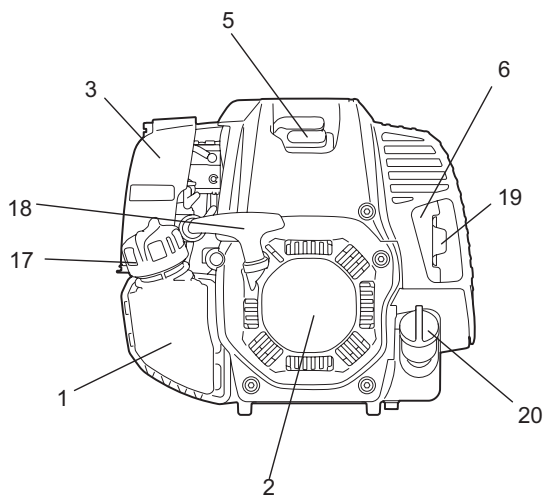
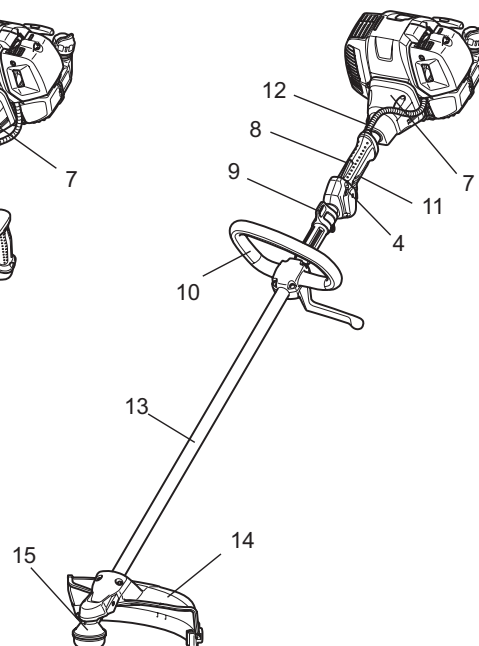
## EM4351UH



## EM4350UH



## EM4350LH



RUS	КОМПОНЕНТЫ ИЗДЕЛИЯ
1	Топливный бак
2	Ручной стартер
3	Воздушный фильтр
4	Кнопка I-O и выключатель фиксированного положения дроссельной заслонки (включение/выключение)
5	Свеча зажигания
6	Глушитель
7	Картер муфты
8	Задняя рукоятка
9	Крючок для подвески
10	Ручка
11	Рычаг дроссельной заслонки
12	Трос управления
13	Вал
14	Защита (ограждение режущего элемента)
15	Картер редуктора/Головка
16	Держатель рукояток
17	Крышка топливного бака
18	Рукоятка стартера
19	Выхлопная труба
20	Крышка маслобака

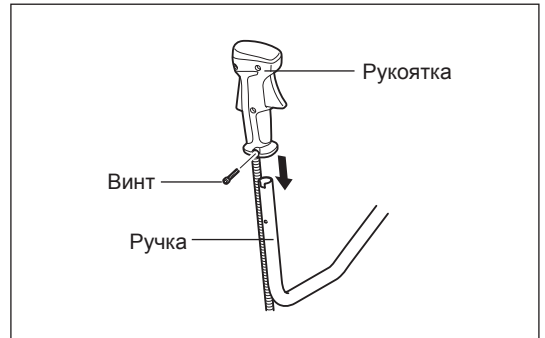
## УСТАНОВКА РУКОЯТКИ

- ПРЕДУПРЕЖДЕНИЕ:** Перед выполнением любых операций с оборудованием обязательно выключите двигатель и отсоедините провод от свечи зажигания. Обязательно надевайте защитные перчатки!
- ПРЕДУПРЕЖДЕНИЕ:** Запускайте двигатель только после полной его сборки.



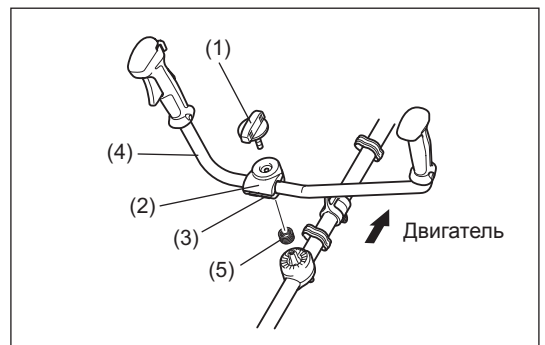
### Для модели EM4351UH, EM4350UH

Вставьте стержень ручки в рукоятку как показано на рисунке. Совместите отверстие для винта в рукоятке с ответным отверстием на стержне. Надежно затяните винт.



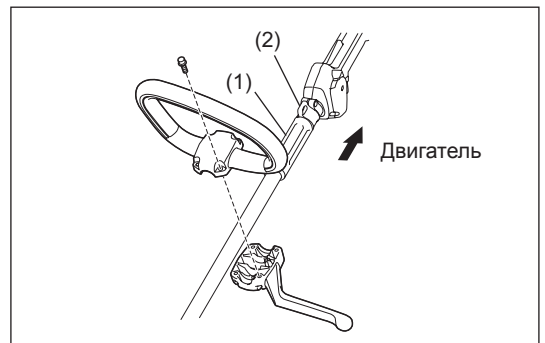
- Ослабьте ручку (1).
- Установите рукоятку (4) между зажимом (2) и держателем (3).
- Отрегулируйте угол рукоятки (4) так, чтобы добиться удобного рабочего положения, затем затяните фиксатор (1).

**ПРЕДУПРЕЖДЕНИЕ:** Не забудьте установить пружину (5).



### Для модели EM4350LH

- Закрепите рамочную рукоятку на валу четырьмя винтами.
- Для поддержания надлежащего расстояния между рукоятками установите проставку (1) между рамочной рукояткой и крючком (2).



## УСТАНОВКА ЗАЩИТЫ

Для обеспечения безопасности необходимо использовать только сочетания “инструмент-защита”, которые указаны в таблице.

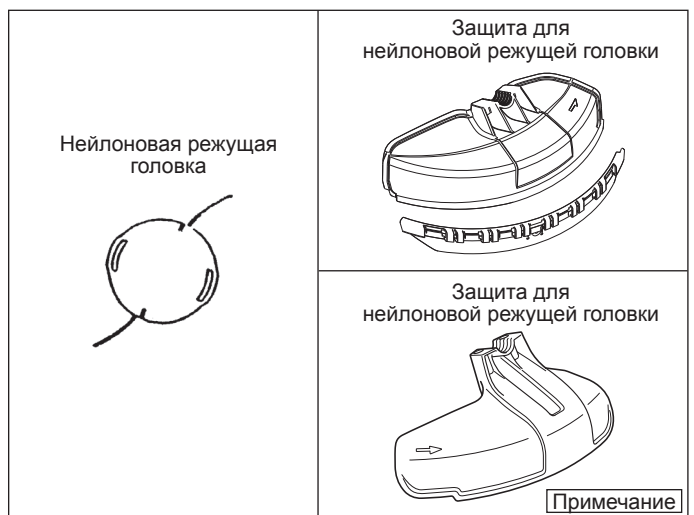
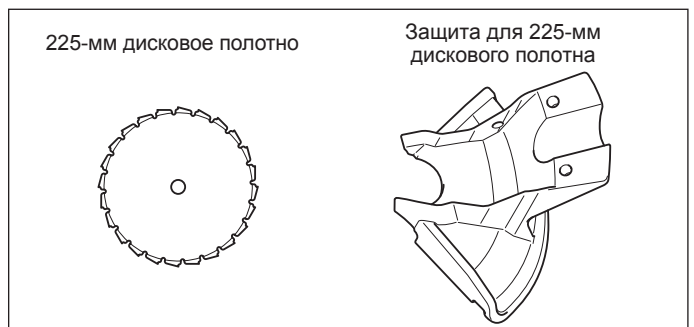
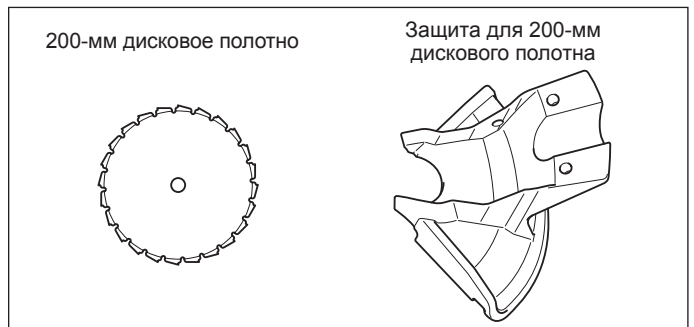
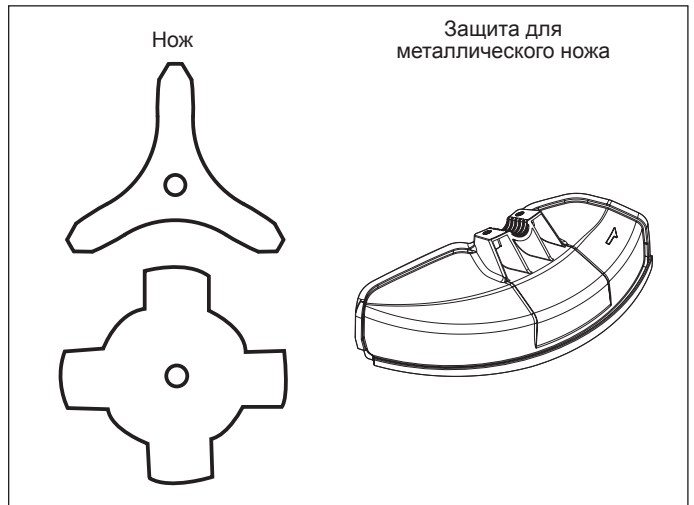
**Обязательно используйте оригинальные металлические ножи МАКИТА (дисковое полотно и нож) или нейлоновые режущие головки.**

- Металлический нож должен быть хорошо отполирован, не иметь трещин и повреждений. Если во время работы металлический нож наткнется на камень, немедленно выключите двигатель и проверьте лезвие.
- Полируйте или заменяйте металлический нож через каждые три часа работы.
- Если во время работы нейлоновая режущая головка наткнется на камень, немедленно выключите двигатель и проверьте головку.

**ПРЕДУПРЕЖДЕНИЕ:** Обязательно устанавливайте подходящую защиту, чтобы обеспечить собственную безопасность и выполнить требования правил техники безопасности. Эксплуатировать оборудование без защитного ограждения нельзя. Наружный диаметр ножа должен быть 300 мм (12") или меньше. Запрещается использовать ножи, наружный диаметр которых превышает 300 мм (12"). Используйте 200-мм защиту дискового полотна только при работе с 200-мм дисковым полотном. Используйте 225-мм защиту дискового полотна только при работе с 225-мм дисковым полотном. Не применяйте другие комбинации при работе с дисковым полотном.

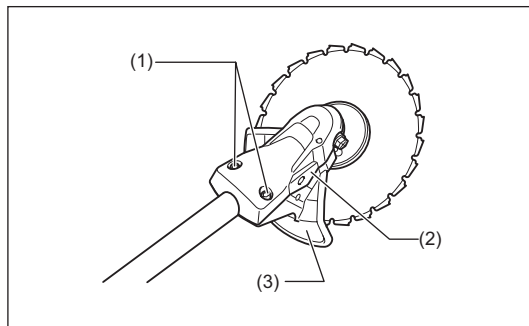
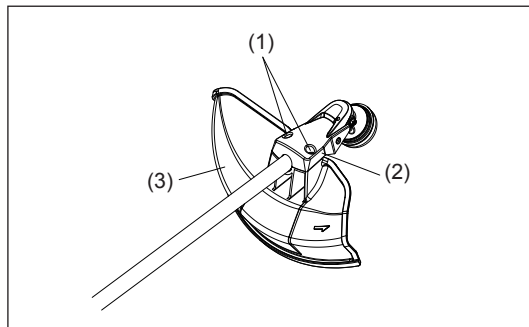
**ПРИМЕЧАНИЕ:** Стандартная комбинация режущего элемента в разных странах отличается.

**ПРИМЕЧАНИЕ:** При использовании этой защиты на модели EM4350LN в сочетании с нейлоновой режущей головкой (B&F Z5L или B&F Eсo6L ) устанавливайте балансировочную шайбу (номер по каталогу: 326755\*2) между опорной шайбой и нейлоновой режущей головкой. (Порядок установки см. на рис. 201.)



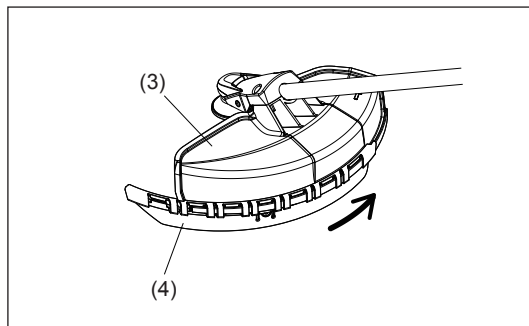
- В случае использования металлического ножа установите защиту (3) на зажим (2) с помощью двух болтов (1).

**ПРИМЕЧАНИЕ:** Затягивайте правый и левый болты равномерно, чтобы зазор между зажимом (2) и защитой (3) был постоянным. В противном случае защита может не обеспечивать надлежащей безопасности.

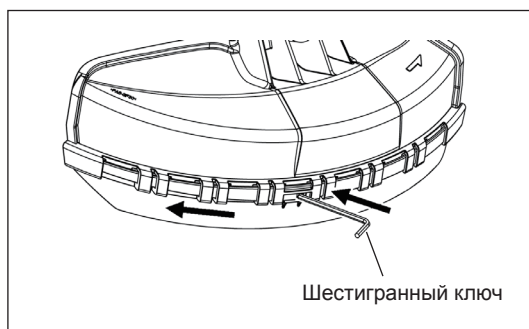


- Если используется нейлоновая режущая головка, обязательно установите защиту нейлоновой режущей головки (4) на защиту металлического ножа (3).
- Установите защиту нейлоновой режущей головки (4), задвигая ее на место с торца защиты металлического ножа (3), как показано на рисунке.
- Снимите скотч с режущего блока на защите нейлоновой режущей головки (4).

**ПРЕДУПРЕЖДЕНИЕ:** Обязательно установите защиту нейлоновой режущей головки (4) до упора. Соблюдайте осторожность, чтобы не пораниться при отрезании нейлонового шнура.



- Чтобы снять защиту нейлоновой режущей головки (4), вставьте шестигранный ключ в прорезь защиты металлического ножа (3), введите ключ внутрь и одновременно сдвиньте защиту нейлоновой режущей головки (4).





## УСТАНОВКА МЕТАЛЛИЧЕСКИХ НОЖЕЙ ИЛИ НЕЙЛОНОВОЙ РЕЖУЩЕЙ ГОЛОВКИ

Используйте только оригинальные металлические ножи МАКИТА или нейлоновую режущую головку.

- Металлический нож должен быть хорошо отполирован, не иметь трещин и повреждений. Если во время работы металлический нож наткнется на камень, немедленно выключите двигатель и проверьте лезвие.
- Полируйте или заменяйте металлический нож через каждые три часа работы.
- Если во время работы нейлоновая режущая головка наткнется на камень, немедленно выключите двигатель и проверьте головку.

**ПРЕДУПРЕЖДЕНИЕ:** Обязательно устанавливайте подходящую защиту, чтобы обеспечить собственную безопасность и выполнить требования правил техники безопасности.  
Эксплуатировать оборудование без защитного ограждения нельзя.  
Наружный диаметр ножа должен быть 300 мм (12") или меньше. Запрещается использовать ножи, наружный диаметр которых превышает 300 мм (12").

Переверните устройство для замены металлического ножа или нейлоновой режущей головки.

- Вставьте шестигранный ключ через отверстие картера редуктора и поверните опорную шайбу (4) до фиксации.
- Ослабьте гайку (1) (левая резьба) торцевым ключом и снимите гайку (1), крышку (2) и прижимную шайбу (3).

### Установка металлического ножа с вставленным шестигранным ключом

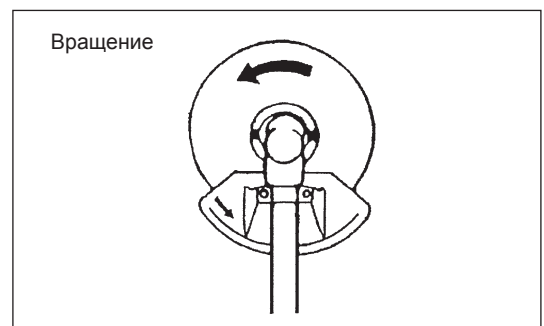
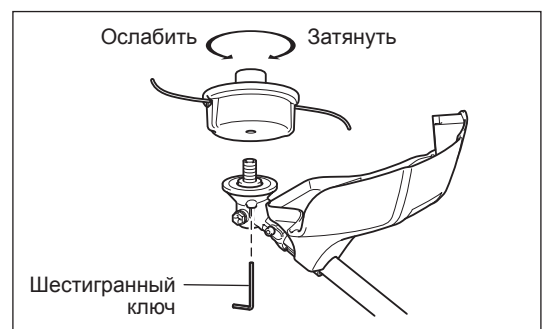
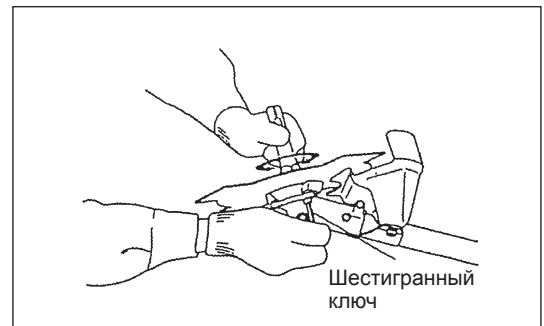
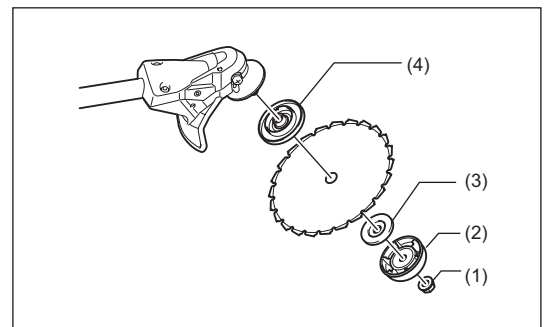
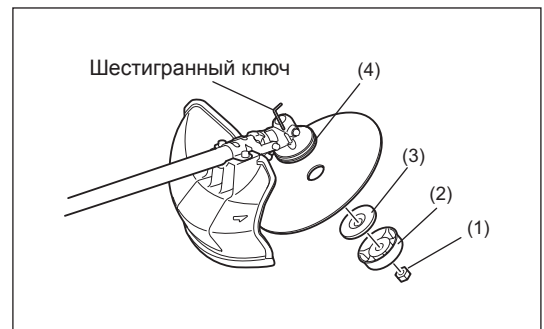
- Установите металлический нож на вал так, чтобы направляющая опорной шайбы (4) совпала с отверстием шпинделя в металлическом ноже. Установите прижимную шайбу (3), крышку (2), и закрепите металлический нож гайкой (1).  
[Усилие затяжки: 20 - 30 Н·м]

**ПРИМЕЧАНИЕ:** При обращении с металлическим ножом обязательно надевайте защитные перчатки.

**ПРИМЕЧАНИЕ:** Гайка крепления металлического ножа (с гроверной шайбой) относится к расходным материалам. Если на гроверной шайбе появятся признаки износа или деформации, замените гайку.

### Установка нейлоновой режущей головки

- Прижимная шайба (3), крышка (2) и гайка (1) для установки нейлоновой режущей головки не нужны. Нейлоновая режущая головка устанавливается поверх опорной шайбы (4).
- Вставьте шестигранный ключ через отверстие картера редуктора и поверните опорную шайбу (4) до фиксации.
- Затем наверхните нейлоновую режущую головку на вал, вращая ее против часовой стрелки.
- Извлеките шестигранный ключ.



## ПЕРЕД НАЧАЛОМ РАБОТЫ

### Проверка и доливка моторного масла

- Дав двигателю остыть, выполните следующее.
- Убедитесь, что двигатель установлен на ровную горизонтальную поверхность, а уровень масла находится между нижней и верхней отметкой индикатора.
- Если уровень масла ниже минимальной отметки, снимите крышку маслобака и долейте масло.
- Область вокруг внешних меток прозрачная, поэтому для проверки уровня масла не обязательно снимать крышку маслобака. Однако, если маслопровод загрязнен, уровень масла необходимо будет проверить по ступенчатому профилю внутри маслопровода.
- Долив масла может потребоваться после каждых 10 часов работы (каждых 10 заправок топливом).  
Если изменился цвет масла или в него попала грязь, замените масло. (Периодичность и способ замены см. на стр. 212)

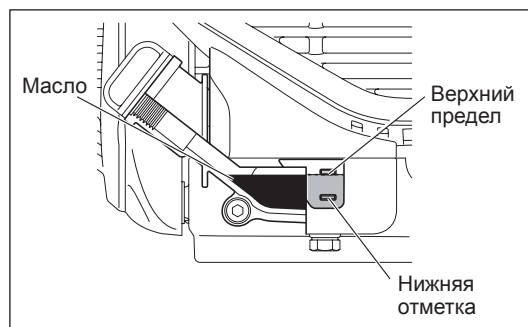
**Рекомендованное масло:** SAE 10W-30 по классификации API, класс SF или выше (4-тактный автомобильный двигатель)

**Объем масла:** Прибл. 0,10 л

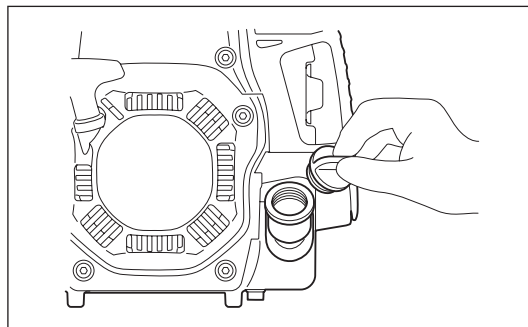
**ПРИМЕЧАНИЕ:** Если двигатель не установлен как показано на рисунке на горизонтальную поверхность, возможна неправильная индикация уровня масла и, следовательно, его перелив. Долив масла выше верхней отметки может привести к загрязнению масла и/или белому дыму.

### Замена масла: “Крышка маслобака”

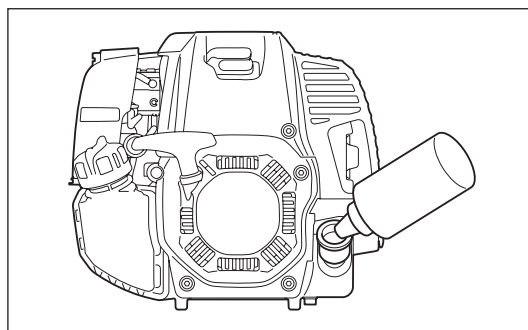
- Очистите заливное отверстие и прилегающие участки от пыли и грязи, и отсоедините крышку маслобака.
- Не допускайте попадания песка или пыли на снятую крышку маслобака. В противном случае песок или пыль с крышки может вызывать перебои в циркуляции масла или привести к износу деталей двигателя, что может стать причиной возникновения неисправности.



- (1) Удерживая двигатель горизонтально, снимите крышку маслобака.



- (2) Долейте масло до отметки верхнего уровня.  
При доливе используйте масленку.



- (3) Плотно заверните крышку маслобака. Недостаточная затяжка может стать причиной утечки масла.

### Примечание

- Не меняйте масло, наклонив двигатель.
- Заливание масла в наклоненный двигатель приводит к переливу, что является причиной загрязнения масла и/или появления белого дыма.

### После долива масла

- Немедленно протрите куском ткани участок, где было пролито масло.

## ЗАПРАВКА ТОПЛИВОМ

### Обращение с топливом

При обращении с топливом необходимо соблюдать особую осторожность. В топливе могут быть вещества, сходные с растворителями. Дозаправку следует выполнять в хорошо проветриваемом помещении или на открытом воздухе. Не вдыхайте пары и не касайтесь топлива. Если касаться топлива неоднократно или на протяжении длительного времени наступает обезвоживание кожи, что может привести к заболеваниям кожи или аллергическим реакциям. При попадании топлива в глаза промойте их чистой водой. Если раздражение не проходит, обратитесь к врачу.

### Срок хранения топлива

Топливо следует использовать в течение 4 недель, даже если оно хранится в специальной емкости в затемненном месте с надлежащей вентиляцией.

В противном случае топливо может потерять свои свойства в течение одного дня.

### ХРАНЕНИЕ УСТРОЙСТВА И КАНИСТРЫ ДЛЯ ДОЗАПРАВКИ

- Храните устройство и бак в прохладном месте вдали от прямых солнечных лучей.
- Запрещается хранить топливо в автомобиле.

### Топливо

Двигатель относится к четырехтактному типу. Обязательно используйте неэтилированный автомобильный бензин с октановым числом 87 или выше ((R+M)/2). Топливо может содержать не более 10% спирта (E-10).

### Примечания по топливу

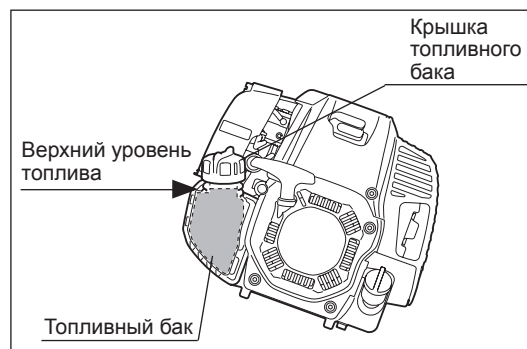
- Запрещается использовать смесь бензина с моторным маслом. Это приведет к сильному нагару или механическим неисправностям.
- Использование масла низкого качества вызывает перебои при запуске двигателя.

### Дозаправка

**ПРЕДОСТЕРЕЖЕНИЕ: Перед заправкой выключайте двигатель, берегите его от открытого пламени и не курите.**

- Немного ослабьте крышку маслобака, чтобы сбросить давление в баке.
- Снимите крышку бака и залейте топливо, наклонив двигатель так, чтобы заливная горловина была расположена вертикально и из нее свободно выходил воздух. НЕ заливайте топливо выше верхней отметки топливного бака.
- Очистите внешнюю часть крышки заливного отверстия, чтобы предотвратить попадание мусора в топливный бак.
- По окончании заправки плотно затяните крышку топливного бака.

- Если крышка топливного бака повреждена, ее необходимо заменить.
- С течением времени крышка топливного бака изнашивается. Заменяйте ее каждые два - три года.
- НЕ заливайте топливо в маслозаливное отверстие.



## ПРАВИЛЬНОЕ ОБРАЩЕНИЕ С УСТРОЙСТВОМ

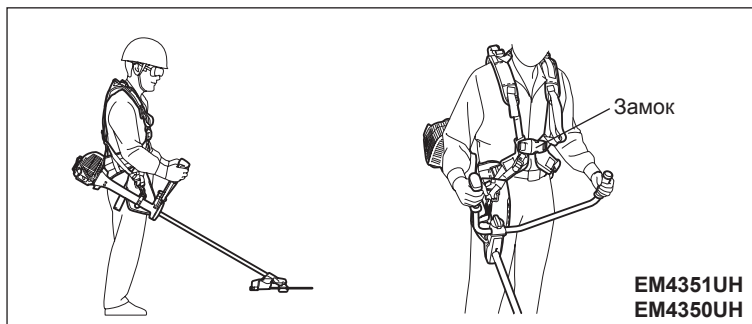
### Прикрепление плечевого ремня

- Отрегулируйте длину ремня так, чтобы металлический нож располагался параллельно поверхности земли.

#### Для EM4351UH, EM4350UH

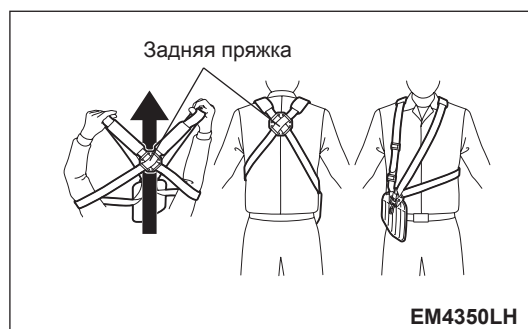
Удерживая ремень на спине, прикрепите его к замку и отрегулируйте длину лямок.

ПРИМЕЧАНИЕ: Соблюдайте осторожность, чтобы в замок не попала одежда и т.п.



#### Для EM4350LH

- 1) Поверните португею задней пряжкой к себе. Проденьте руки и голову между лямками.
- 2) При правильном надевании плечевого ремня задняя пряжка находится на спине, регуляторы и крючок для подвески расположены справа.



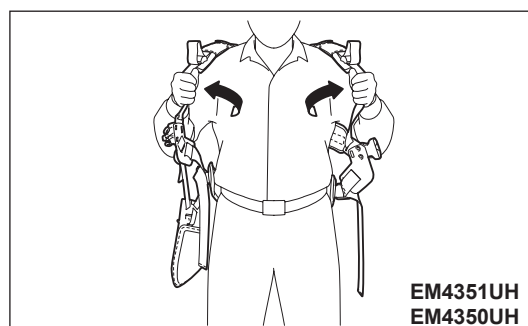
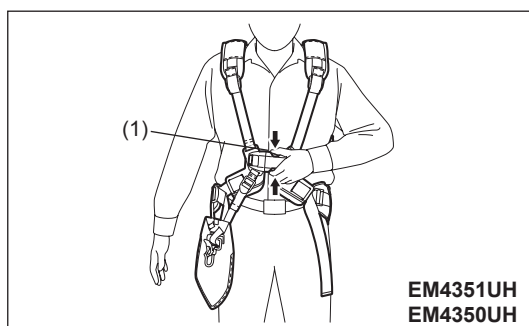
### Отсоединение устройства

#### Для EM4351UH, EM4350UH

- Для отсоединения устройства нажмите по бокам замка (1) и снимите плечевой ремень.

Соблюдайте особую осторожность, чтобы сохранить в этот момент контроль над устройством. Не допускайте отклонения устройства по направлению к вам или к другим людям, находящимся поблизости.

ПРЕДОСТЕРЕЖЕНИЕ: Потеря контроля над устройством может привести к тяжелым травмам и ГИБЕЛИ.

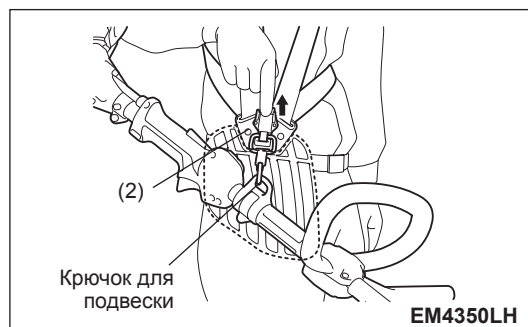


#### Для EM4350LH

- Для отсоединения устройства сильно потянув пальцем, извлеките рычаг аварийного сброса (2).

Соблюдайте особую осторожность, чтобы сохранить в этот момент контроль над устройством. Не допускайте отклонения устройства по направлению к вам или к другим людям, находящимся поблизости.

ПРЕДОСТЕРЕЖЕНИЕ: Потеря контроля над устройством может привести к тяжелым травмам и ГИБЕЛИ.



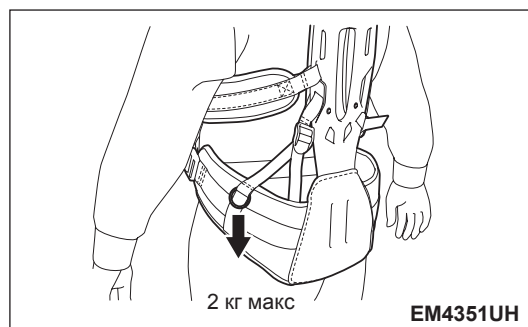
### Кольцо для подвески

#### Для EM4351UH

- Для подвешивания предметов весом менее 2 кг (4,4 фунта) можно использовать кольцо.

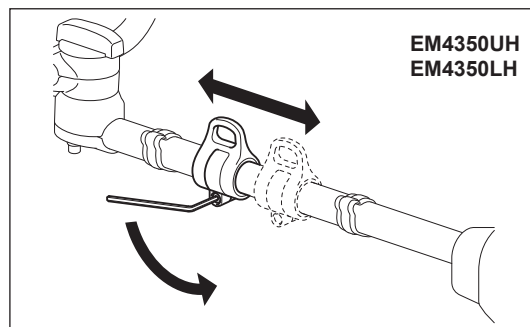
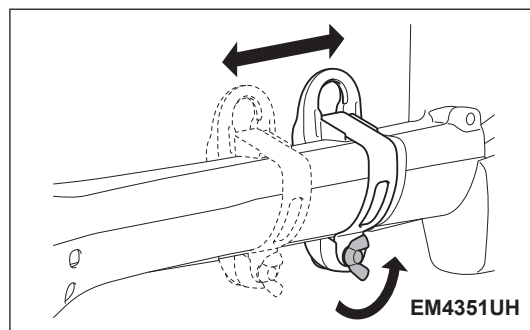
ПРИМЕЧАНИЕ: Не подвешивайте на кольцо предметы весом более 2 кг (4,4 фунта). В противном случае кольцо может упасть и предмет может быть поврежден.

ПРЕДУПРЕЖДЕНИЕ: Не подвешивайте на кольцо предметы, которые могут зацепиться за кусты или ветки. Это может привести к потере равновесия и управления и, следовательно, травме.



## Регулировка балансировочного груза

Балансировочный груз устройства можно отрегулировать, переместив крючок для подвески вперед или назад. Отрегулируйте высоту режущего элемента в соответствии с выполняемой операцией.



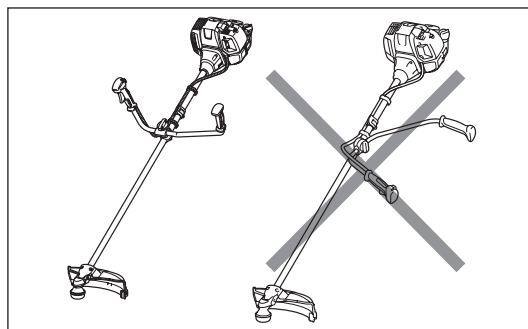
## ПРИМЕЧАНИЯ ПО ЭКСПЛУАТАЦИИ И ВЫКЛЮЧЕНИЮ УСТРОЙСТВА

Соблюдайте применимые правила техники безопасности!



Перед запуском двигателя обязательно установите рукоятку в надлежащее положение.

В противном случае режущий инструмент может неожиданно включиться и причинить травму, так как кабель дроссельной заслонки может натянуться или погнуться, вследствие чего откроется дроссельная заслонка.

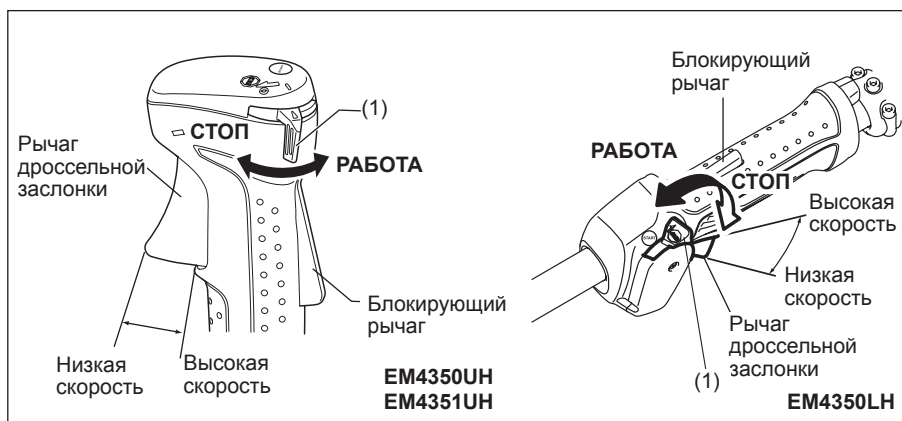


### ПУСК

Отойдите не менее чем на 3 м от места заправки топливом. Положите устройство на землю так, чтобы режущий инструмент не касался земли или других предметов.

#### А: Холодный запуск

- 1) Положите устройство на ровную поверхность.
- 2) Переведите переключатель I-O (1) в положение РАБОТА.

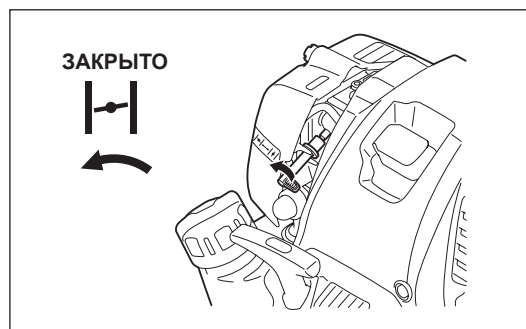


- 3) Рычаг воздушной заслонки

Закройте рычаг воздушной заслонки.

Открытие рычага воздушной заслонки:

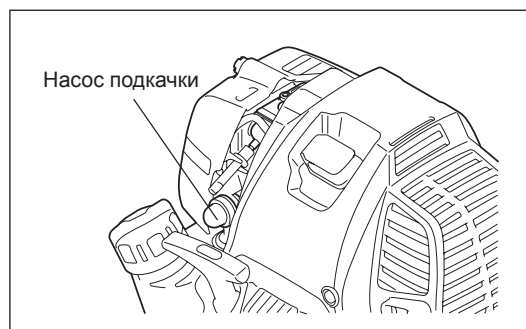
- Полностью закройте в холодную погоду или на холодном двигателе.
- Если двигатель теплый (например, в случае перезапуска сразу после выключения при прогреве), откройте полностью или до половины.



- 4) Насос подкачки

Нажимаете на насос подкачки до тех пор, пока он не наполнится топливом. (Обычно достаточно 7 - 10 качков насоса.)

Если на насос подкачки нажать слишком много раз, излишек топлива перейдет обратно в топливный бак.



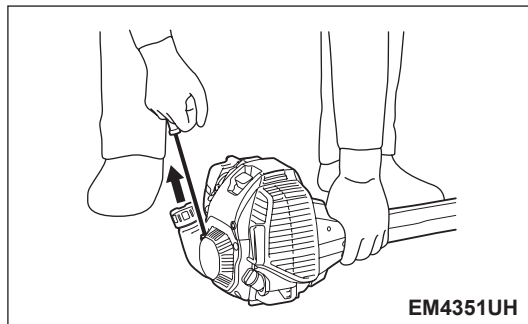
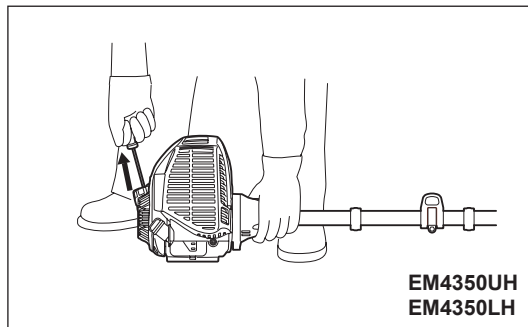
### 5) Ручной стартер

При выполнении работ всегда занимайте устойчивое положение. Держите устройство левой рукой и плотно прижимайте его.

**ПРЕДУПРЕЖДЕНИЕ:** Не становитесь ногами или коленями на трос дроссельной заслонки. Это может привести к натяжению внутреннего троса и самопроизвольному пуску режущего узла. Не открывайте дроссельную заслонку.

Плавно тяните рукоятку стартера, пока не почувствуется определенное сопротивление. Верните рукоятку стартера в исходное положение и затем сильно потяните.

Не вытягивайте шнур полностью. Потянув за рукоятку стартера, не отпускайте ее сразу же. Удерживайте рукоятку стартера, пока она возвращается в исходное положение.



### 6) Рычаг воздушной заслонки

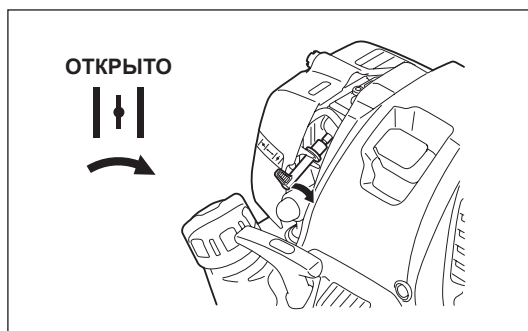
После запуска двигателя установите рычаг воздушной заслонки в открытое положение ("OPEN").

- Открывайте рычаг воздушной заслонки постепенно, проверяя при этом работу двигателя. В конце рычаг воздушной заслонки следует открыть полностью.
- В холодную погоду или на холодном двигателе не открывайте рычаг воздушной заслонки слишком резко. Двигатель может остановиться.

### 7) Прогрев двигателя

Прогрейте двигатель в течение 2-3 минут.

**ПРИМЕЧАНИЕ:** Если двигатель не работает, не нажимайте без необходимости рычаг дроссельной заслонки. Это может привести к утечке топлива через воздушный фильтр. Если это произошло, вытрите протекшее топливо. Кроме того, откройте крышку воздушного фильтра и промойте фильтрующий элемент и пластину.



### ПРИМЕЧАНИЕ:

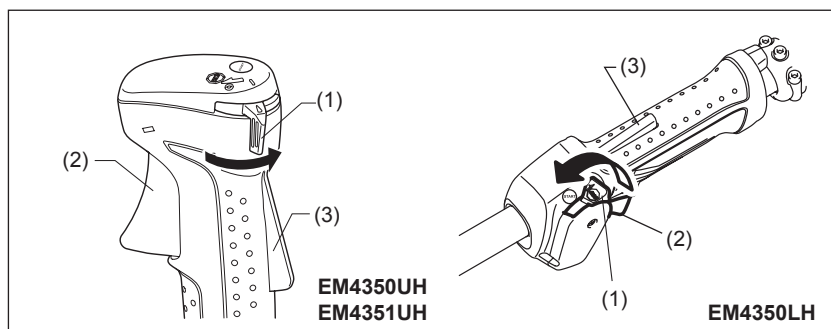
- Если двигатель не работает, не нажимайте без необходимости рычаг дроссельной заслонки. Это может привести к переливу топлива в двигателе и затруднению пуска.
- В случае перелива топлива выверните свечу зажигания и медленно потяните рукоятку стартера, чтобы удалить излишки топлива. Кроме того, протрите электроды свечи зажигания.
- Если двигатель заводится и глохнет или останавливается вскоре после запуска верните рычаг воздушной заслонки в открытое положение ("OPEN"), после чего снова несколько раз потяните рукоятку стартера для запуска двигателя.
- Если оставить рычаг воздушной заслонки в закрытом положении ("CLOSE") и потянуть рукоятку стартера несколько раз подряд, то запуск двигателя будет затруднен из-за перелива топлива.
- Во время прогрева не увеличивайте без необходимости обороты двигателя.

## В: Горячий пуск

- 1) Рычаг воздушной заслонки должен быть полностью открыт.
- 2) Нажмите несколько раз на насос подкачки.
- 3) Установите рычаг дроссельной заслонки в положение холостого хода.
- 4) Сильно потяните рукоятку стартера.
- 5) Если пуск двигателя затруднен, освободите рычаг блокировки (3), нажмите на рычаг дроссельной заслонки (2) и переведите переключатель I-O (1) в положение фиксации дроссельной заслонки. Удерживая переключатель I-O (1), отпустите рычаг дроссельной заслонки (2) и рычаг блокировки (3). Затем потяните рукоятку стартера.

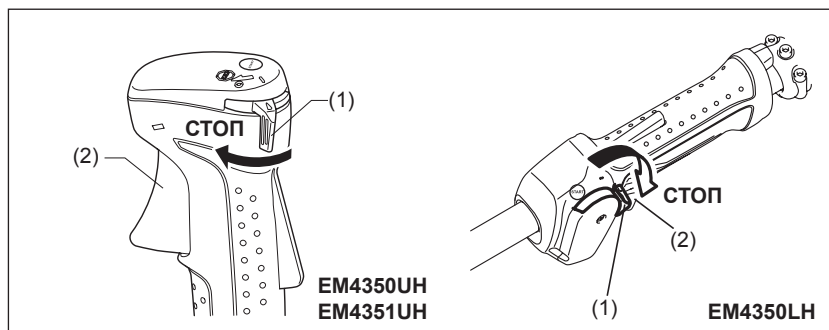
**ПРЕДОСТЕРЕЖЕНИЕ:** Обратите внимание, что режущий узел начинает вращаться мгновенно.

- 6) После пуска двигателя отпустите рычаг блокировки (3) и нажмите рычаг дроссельной заслонки (2), затем отпустите его; двигатель будет работать на холостых оборотах.



## ВЫКЛЮЧЕНИЕ

- 1) Полностью отпустите рычаг дроссельной заслонки (2); после снижения оборотов двигателя переведите переключатель I-O (1) в положение STOP - двигатель выключится.
- 2) Режущий инструмент продолжает вращаться некоторое время после остановки двигателя. Дождитесь, пока инструмент полностью остановится.

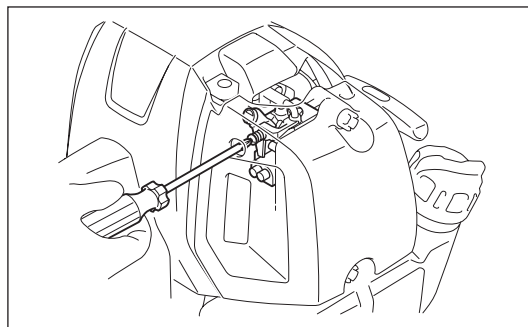


## РЕГУЛИРОВКА ХОЛОСТЫХ ОБОРОТОВ

Если необходимо отрегулировать холостой ход, вращайте регулировочный винт карбюратора.

### ПРОВЕРКА ХОЛОСТЫХ ОБОРОТОВ

- Установите обороты холостого хода на уровне 3000 мин<sup>-1</sup>. Если требуется изменить обороты холостого хода, с помощью крестовой отвертки поверните винт, показанный на рисунке справа.
- Для увеличения оборотов холостого хода поворачивайте регулировочный винт по часовой стрелке. Для уменьшения оборотов холостого хода поворачивайте регулировочный винт против часовой стрелки.
- Карбюратор настраивается на заводе-изготовителе. Однако, после нескольких использований устройства обороты холостого хода необходимо будет повторно отрегулировать.

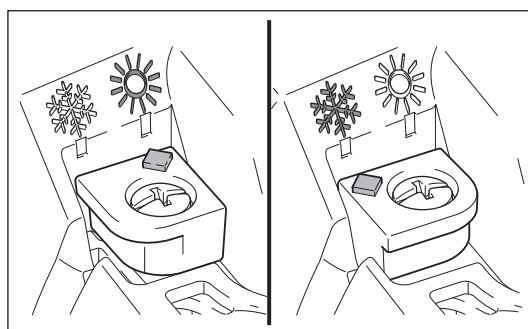
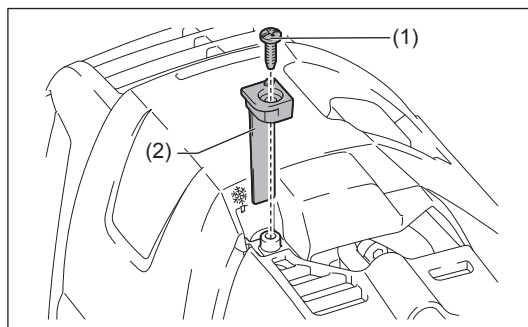


## ПРЕДОТВРАЩЕНИЕ ОБЛЕДЕНЕНИЯ КАРБЮРАТОРА

**ПРЕДУПРЕЖДЕНИЕ:** Если температура окружающей среды выше 10°C, обязательно возвращайте заслонку в нормальное положение (значок солнца). В противном случае двигатель может быть поврежден из-за перегрева.

Если температура окружающей среды низкая, а влажность высокая, водяной пар может замерзнуть внутри карбюратора, и двигатель будет работать неустойчиво (обледенение карбюратора). При необходимости измените положение заслонки следующим образом.

1. Выверните винт (1).
2. Измените направление заслонки (2) следующим образом:
  - Температура окружающей среды выше 10°C: Установите заслонку в нормальное положение (значок солнца).
  - Температура окружающей среды ниже 10°C: Установите заслонку в положение противообледенения (значок снежинки).
3. Затяните винт.





## ЗАТОЧКА РЕЖУЩЕГО ЭЛЕМЕНТА

**ПРЕДУПРЕЖДЕНИЕ:** Указанные на рисунке режущие инструменты не подлежат заточке. Ручная заточка приведет к нарушению балансировки режущего инструмента, возникновению вибраций и приведет к повреждению оборудования.

**ПРИМЕЧАНИЕ:** Чтобы продлить срок службы режущего диска, его можно перевернуть (один раз) - пока не затупятся обе режущие кромки.

### НЕЙЛОНОВАЯ РЕЖУЩАЯ ГОЛОВКА

Нейлоновая режущая головка представляет собой триммер с двумя нитями и полуавтоматическим механизмом.

Нейлоновая режущая головка подает нейлоновый шнур необходимой длины после постукивания нейлоновой режущей головки по земле за счет изменения центробежной силы при увеличении или уменьшении оборотов двигателя.

### Эксплуатация

- Увеличьте скорость вращения нейлоновой режущей головки примерно до 6000 мин<sup>-1</sup>. Слегка стукните нейлоновой режущей головкой о землю.
- Наиболее эффективная зона резки показана затемненной.
- Если шнур не выходит, намотайте/замените нейлоновый шнур в соответствии с процедурой в разделе “Замена нейлонового шнура”.

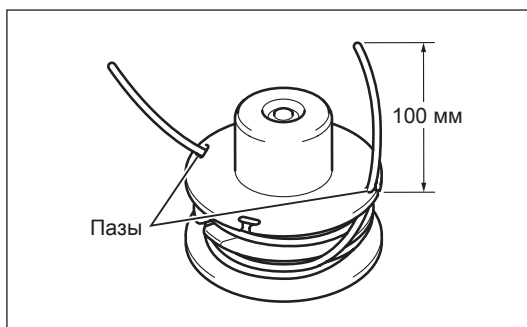
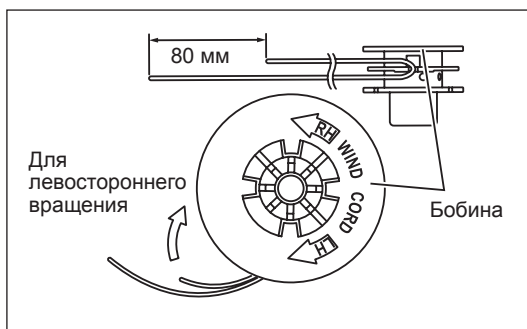
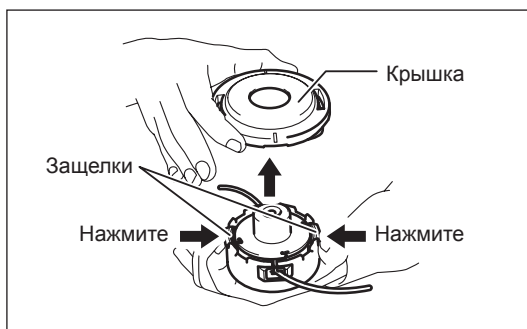
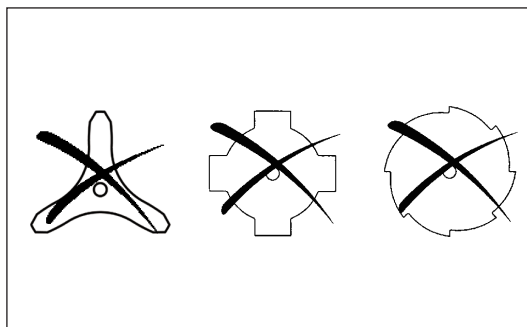
### Замена нейлонового шнура (ПОЛУАВТОМАТИЧЕСКИЙ режим)

**ПРЕДОСТЕРЕЖЕНИЕ:** Убедитесь, что крышка нейлоновой режущей головки надежно закреплена на корпусе как описано ниже. В противном случае нейлоновая режущая головка может разрушиться, разлететься на осколки и причинить серьезную травму.

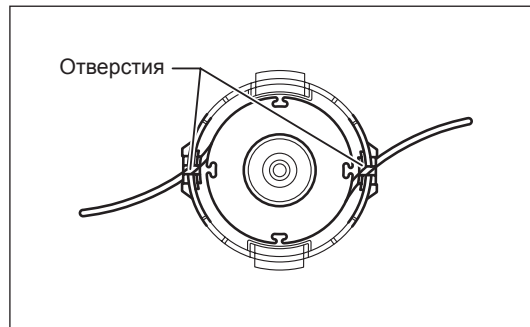
Нажмите на защелки корпуса вовнутрь, поднимите их и снимите крышку. Выбросьте остатки нейлонового шнура.

Подцепите новый нейлоновый шнур к прорези в центре бобины между двумя каналами, предназначенными для нейлонового шнура. Одна часть шнура должна быть длиннее другой приблизительно на 80 мм. Плотнo намотайте оба конца на бобину в направлении, отмеченном на головке (вращение катушки влево обозначено маркировкой LH).

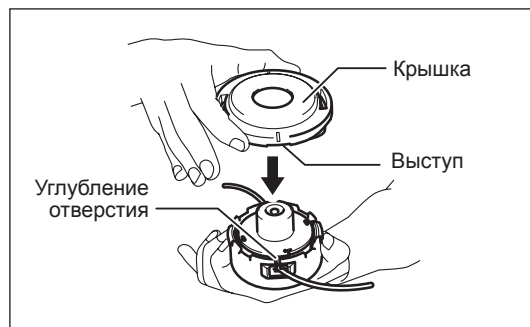
Намотайте шнуры, оставив примерно по 100 мм и временно вставив концы в паз на бобине.



Установите бобину в корпус так, чтобы пазы и выступы на катушке совпали с соответствующими выступами и пазами на корпусе. Сторона катушки с надписью должна быть обращена вверх. Теперь освободите концы шнура из точек временного закрепления и выдвиньте шнуры через отверстия в корпусе.



Совместите выступ на нижней стороне крышки с углублениями отверстий. Затем прижмите крышку к корпусу, чтобы зафиксировать ее. Убедитесь, что защелки полностью вошли в крышку.

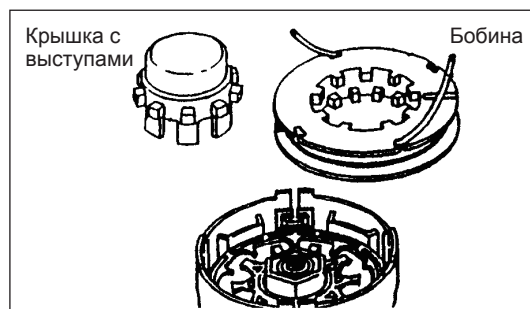


### Замена нейлонового шнура (автоматический режим ULTRA AUTO)

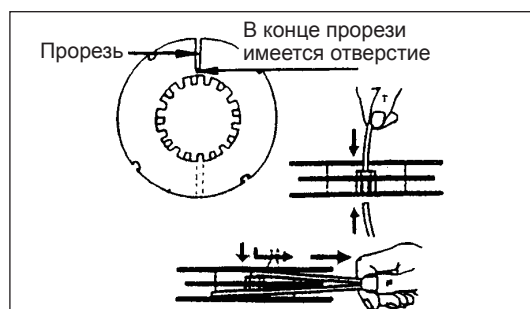
1. Снимите крышку с корпуса, нажав два блокировочных выступа, которые расположены по бокам корпуса.



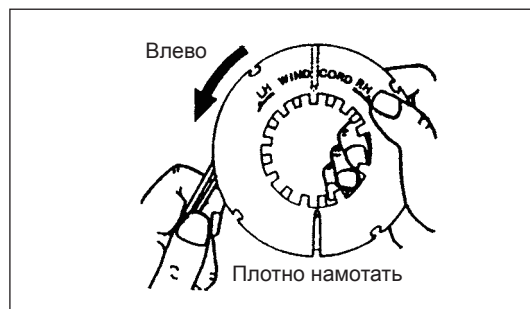
2. Снимите крышку с выступами и извлеките бобину из корпуса.



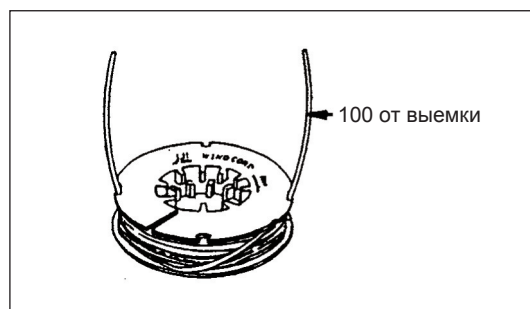
3. Вставьте концы двух режущих нитей в отверстия в прорези на внешнем фланце бобины. Вставьте нити в направляющие через прорези на фланцах.



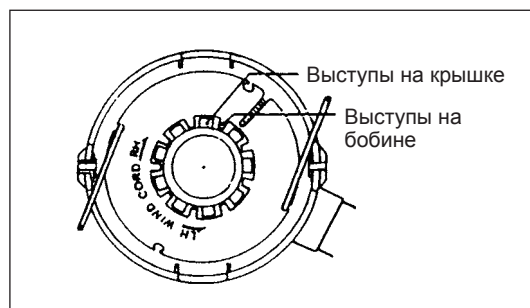
4. Плотно намотайте нити в направлении, показанном левой стрелкой на фланце. Не перекрещивайте нити.



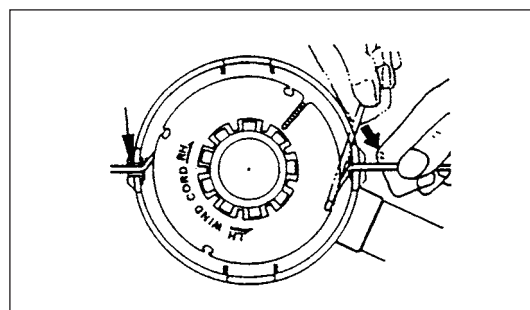
5. Намотайте шнуры, оставив примерно по 100 мм и временно вставив концы в прорезь на бобине.



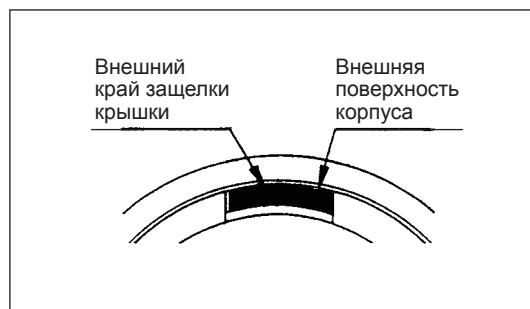
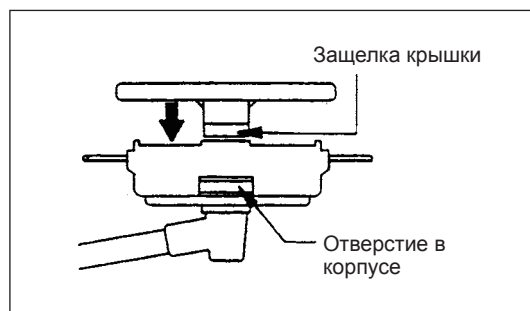
6. Установите крышку с выступами на ступицу корпуса так, чтобы она могла свободно перемещаться вверх и вниз под действием пружины. Вставьте бобину в корпус, совмещая выступы на бобине с выемками на крышке.



7. Вставьте режущие нити через отверстие.



8. Установите крышку на корпус, совместив выступы на крышке с отверстиями в корпусе. Убедитесь, что крышка плотно закреплена на корпусе. Внешний край защелки крышки и внешняя поверхность корпуса должны быть на одной окружности.



## УКАЗАНИЯ ПО ОБСЛУЖИВАНИЮ

**ПРЕДУПРЕЖДЕНИЕ:** Перед выполнением любых операций с оборудованием обязательно выключите двигатель и отсоедините провод от свечи зажигания (см. раздел “Проверка свечи зажигания”).  
Обязательно надевайте защитные перчатки!

Чтобы обеспечить длительный срок службы и предотвратить повреждение оборудования, необходимо регулярно выполнять следующие операции по уходу и обслуживанию.

### Ежедневные проверки и обслуживание

- Перед началом работы проверьте надежность затяжки всех винтов и наличие всех деталей. Обращайте особое внимание на надежность крепления металлического ножа или нейлоновой режущей головки.
- Перед началом работы обязательно проверяйте чистоту воздушных патрубков и ребер охлаждения цилиндра. При необходимости очистите.
- Ежедневно по окончании работы выполняйте следующее:
  - Очищайте оборудование снаружи и осматривайте на предмет повреждений.
  - Очищайте воздушный фильтр. В случае работы в условиях повышенной запыленности очищайте фильтр несколько раз в день.
  - Проверяйте режущий диск или нейлоновую режущую головку на предмет повреждений и надежности крепления.
  - Убедитесь, что между оборотами холостого хода и рабочими оборотами имеется значительная разница - это обеспечивает неподвижность режущего инструмента при холостых оборотах двигателя (при необходимости уменьшите обороты холостого хода). Если на холостых оборотах инструмент продолжает вращаться, обратитесь в ближайшую официальную сервисную службу.
- Проверьте работу переключателя I-O, рычага разблокировки, рычага дроссельной заслонки и кнопки блокировки.

### ЗАМЕНА МОТОРНОГО МАСЛА

Загрязненное масло приводит к значительному сокращению срока службы двигателя. Регулярно проверяйте качество и уровень масла.



**ПРЕДОСТЕРЕЖЕНИЕ:** После остановки двигателя температура самого двигателя и моторного масла остается высокой. Двигатель и моторное масло должны остыть в течение некоторого времени. В противном случае возможно получение ожогов кожи.

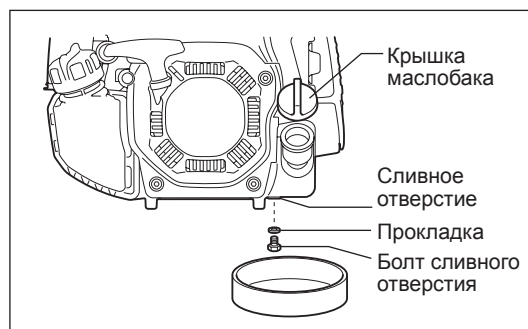
**ПРИМЕЧАНИЕ:** В случае перелива масла оно может загрязниться или воспламениться с выделением белого дыма. После остановки двигателя необходимо некоторое время для возврата моторного масла в бак и точного отображения уровня масла.

**Интервал замены:** Первоначально после 20 рабочих часов и впоследствии через каждые 50 рабочих часов.

**Рекомендованное масло:** SAE10W-30 по классификации API, класс SF или выше (4-тактный автомобильный двигатель)

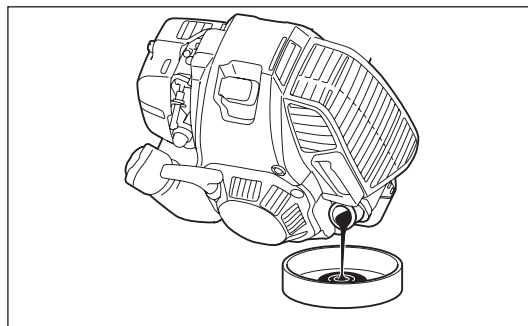
При замене выполните следующую процедуру.

- 1) Убедитесь, что крышка топливного бака плотно закрыта.
- 2) Установите большую емкость (ведро и т.д.) под сливным отверстием.
- 3) Извлеките болт сливного отверстия, а затем снимите крышку маслобака, чтобы слить все масло через сливное отверстие. Не потеряйте прокладку болта сливного отверстия и не загрязните снятые компоненты.
- 4) Как только все масло стекло, наденьте прокладку на болт сливного отверстия и надежно затяните болт, чтобы он не вывинтился и не стал причиной протечки.  
[Усилие затяжки: 5 Н-м]  
\* Протрите тканью все остатки масла на болту и оборудовании.



#### Альтернативный способ слива

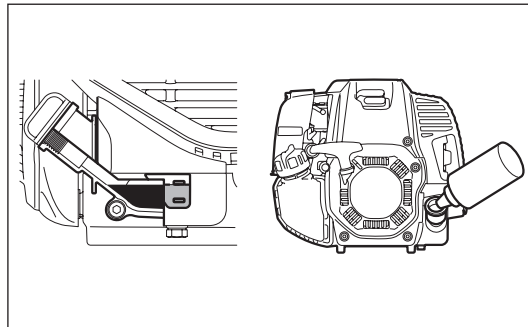
Снимите крышку маслобака, наклоните оборудование к заправочной горловине и слейте масло.  
Соберите масло в емкость.



- 5) Установите двигатель горизонтально и постепенно заливайте масло до отметки верхнего уровня.
- 6) После этого закройте крышку маслобака, чтобы она не отвинтилась и не стала причиной утечки.  
Если крышка маслобака не притянута плотно, масло может протекать через нее.

### ПРИМЕЧАНИЯ ПО МАСЛУ

- Не сливайте отработанное масло в мусор, на землю или в канализацию. Утилизация отработанного масла регулируется законодательством. При утилизации обязательно соблюдайте соответствующие законы и положения. Если какие-либо моменты остаются неясными, обратитесь в официальную сервисную службу.
- Рабочие характеристики масла ухудшаются, даже если оно хранится без использования. Регулярно выполняйте проверку и замену (масло заменяется через каждые 6 месяцев).



## ОЧИСТКА ВОЗДУШНОГО ФИЛЬТРА



**ПРЕДОСТЕРЕЖЕНИЕ:** Выключайте двигатель, берегите его от открытого пламени и не курите.

**Периодичность очистки и осмотра:** Ежедневно (через каждые 10 часов работы)

- Поверните рычаг дросселирования в полностью закрытое положение и закройте карбюратор от пыли и грязи.

### Снятие крышки воздушного фильтра

- Ослабьте два болта крепления (1).
- Потяните и снимите крышку воздушного фильтра (2).

### Очистка фильтрующего элемента

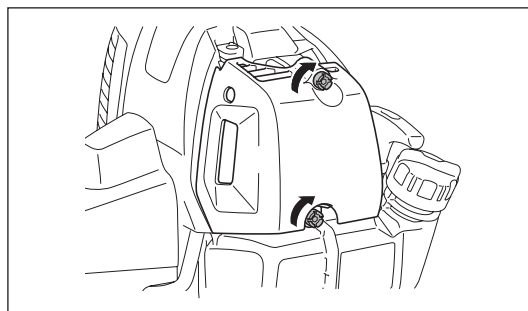
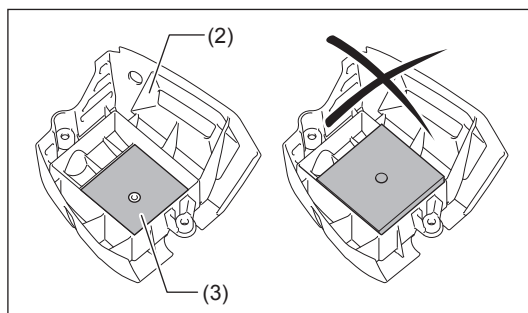
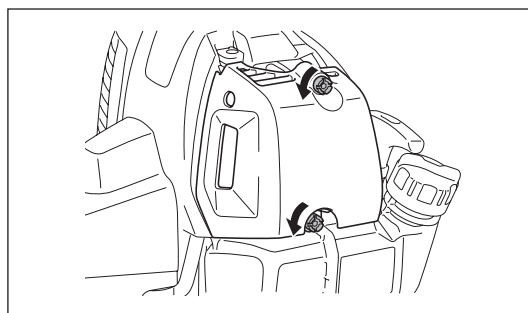
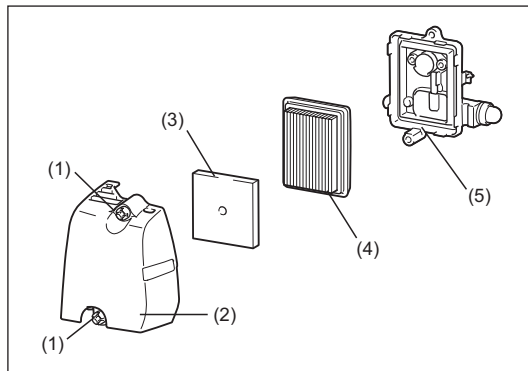
- Снимите фильтрующие элементы (3, 4) и постучите по ним, чтобы удалить грязь.
- В случае сильного загрязнения:
  - 1) Извлеките фильтрующий элемент (губку) (3), опустите в теплую воду или в водный раствор нейтрального моющего средства, затем просушите. Не сжимайте и не трите фильтрующие элементы во время промывки.
  - 2) Очистите фильтрующий элемент (бумажный) (4), слегка постучав по нему. При наличии продувочного пистолета продуйте внутреннюю часть фильтрующего элемента (бумажную) сжатым воздухом. Не мойте фильтрующий элемент (бумажный).
- Прежде чем устанавливать фильтрующий элемент (губку), обязательно просушите его. Недостаточная просушка элемента (губки) может привести к затрудненному пуску двигателя.
- Протрите ветошью масло, скопившееся вокруг крышки воздушного фильтра и сепаратора (5).

### Установка крышки воздушного фильтра

- Установите фильтрующий элемент (губка) и фильтрующий элемент (бумажный). Вставьте фильтрующий элемент (губку) до упора в крышку воздушного фильтра.
- Затяните крышку воздушного фильтра двумя болтами крепления.

### ПРИМЕЧАНИЕ:

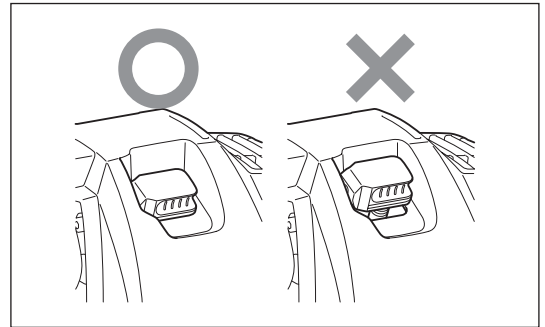
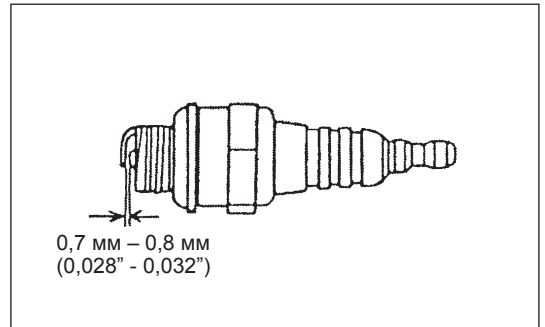
- Если фильтрующие элементы сильно запылены, очищайте их несколько раз в день. Загрязненные фильтрующие элементы снижают мощность двигателя и затрудняют его запуск.
- Удалите масло с фильтрующих элементов. Если продолжать работу с грязными фильтрами, масло из воздушного фильтра может вытечь наружу и привести к загрязнению окружающей среды.
- Не помещайте фильтрующие элементы на землю или загрязненную поверхность. В противном случае грязь или мусор попадут на элементы - это может привести к повреждению двигателя.
- Для очистки фильтрующих элементов запрещается использовать топливо. Топливо может повредить их.



## ПРОВЕРКА СВЕЧИ ЗАЖИГАНИЯ

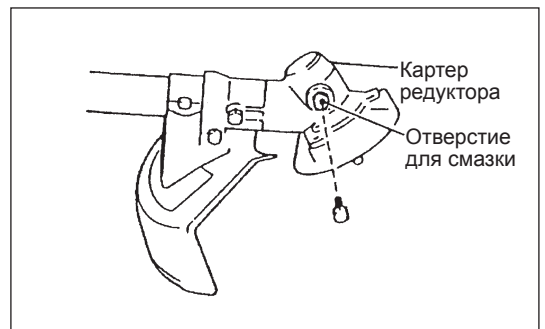
- Для извлечения и установки свечей зажигания используйте только ключ, входящий в комплект поставки.
- Зазор между электродами свечи зажигания должен составлять 0,7 - 0,8 мм (0,028" - 0,032"). Если зазор слишком маленький или слишком большой, отрегулируйте его. Если свеча зажигания засорена или загрязнена, тщательно очистите ее или замените. После проверки надежно вставьте провод свечи как показано на рисунке.

**ПРЕДУПРЕЖДЕНИЕ:** Не прикасайтесь к разъему свечи зажигания при работающем двигателе (опасность поражения током высокого напряжения).



## ЗАКЛАДКА КОНСИСТЕНТНОЙ СМАЗКИ В КАРТЕР РЕДУКТОРА

- Закладка консистентной смазки (Shell Alvania 2 или аналогичная) в картер редуктора через отверстие для смазки осуществляется через каждые 30 часов. (Оригинальную консистентную смазку MAKITA можно приобрести у местного дилера MAKITA.)



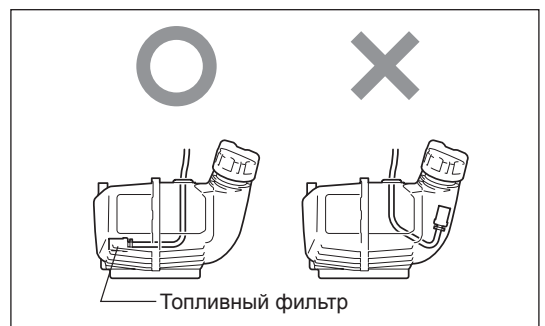
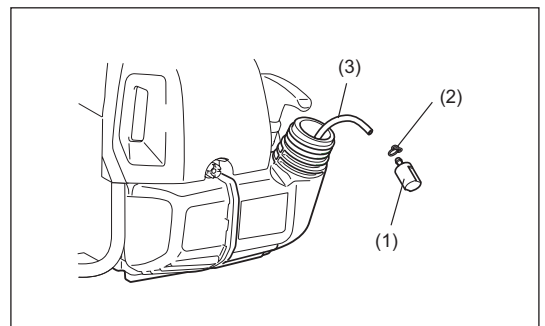
## ОЧИСТКА ТОПЛИВНОГО ФИЛЬТРА

### ПРЕДОСТЕРЕЖЕНИЕ: СТРОГО ЗАПРЕЩАЕТСЯ ИСПОЛЬЗОВАНИЕ ОГНЕОПАСНЫХ МАТЕРИАЛОВ

Периодичность очистки и осмотра: Ежемесячно (через каждые 50 часов работы)

### Всасывающая головка в топливном баке

- Топливный фильтр (1) всасывающей головки используется для фильтрации топлива, поступающего в карбюратор.
- Необходимо регулярно осматривать топливный фильтр. Откройте крышку бака и с помощью проволочного крюка извлеките всасывающую головку через горловину бака. Если фильтр стал твердым или сильно засорен, замените его.
- Заменяйте топливный фильтр как минимум один раз в квартал, чтобы обеспечить надлежащую подачу топлива в карбюратор. Недостаточная подача топлива может привести к затрудненному запуску двигателя и ограничению максимальной скорости.
- После проверки, очистки или замены закрепите топливный фильтр на топливном патрубке (3) с помощью хомута (2). Установите топливный фильтр до упора в нижнюю часть топливного бака.



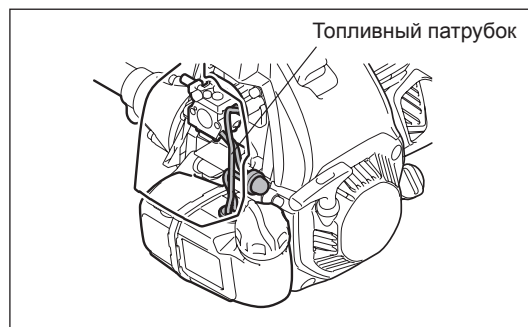
## ЗАМЕНА ТОПЛИВНОГО ПАТРУБКА

### ПРЕДУПРЕЖДЕНИЕ: СТРОГО ЗАПРЕЩАЕТСЯ ИСПОЛЬЗОВАНИЕ ОГНЕОПАСНЫХ МАТЕРИАЛОВ

Периодичность очистки и осмотра: Ежедневно (через каждые 10 часов работы)

Замена: Ежегодно (через каждые 200 часов работы)

Заменяйте топливный патрубок ежегодно, независимо от частоты использования устройства. Утечка топлива может привести к возгоранию. Если при осмотре выявлена утечка, немедленно замените топливном патрубок.



## ОСМОТР БОЛТОВ, ГАЕК И ВИНТОВ

- Подтягивайте ослабленные болты, гайки и пр.
- Проверьте надежность фиксации крышки топливного бака и крышки маслобака. Проверяйте на предмет утечек топлива и масла.
- Заменяйте поврежденные детали новыми, чтобы обеспечить безопасность эксплуатации.

## ОЧИСТКА ДЕТАЛЕЙ

- Двигатель должен поддерживаться в чистом состоянии - протирайте его лоскутом ткани.
- Поддерживайте чистоту ребер охлаждения цилиндра. Пыль и грязь, скапливающиеся на ребрах, могут привести к заклиниванию поршня.

## ЗАМЕНА ПРОКЛАДОК И САЛЬНИКОВ

Замените прокладки и сальники в случае разбирания двигателя.

Любые операции обслуживания или регулировки, не указанные в данном руководстве, должны выполняться сотрудниками официальной сервисной службы.

## ХРАНЕНИЕ

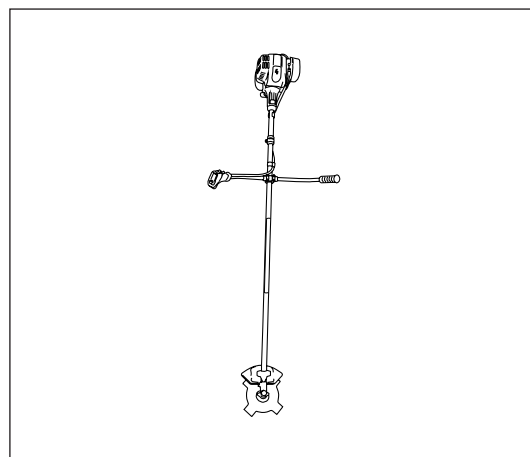


**ВНИМАНИЕ:** После остановки двигателя его температура по-прежнему остается высокой. При сливе топлива после остановки двигателя дайте ему остыть. В противном случае возможно получение ожогов кожи и/или пожара.



**ОПАСНОСТЬ:** Если устройство не эксплуатируется в течение длительного времени, слейте топливо из бака и карбюратора, и храните его в сухом и чистом месте.

- Слейте топливо из топливного бака и карбюратора в соответствии со следующей процедурой:
  - 1) Снимите крышку топливного бака и полностью слейте топливо. Если в топливном баке остались посторонние вещества, полностью удалите их.
  - 2) С помощью проволоки извлеките топливный фильтр через заливную горловину.
  - 3) Нажимайте на насос подкачки до тех пор, пока в нем не останется топлива, и слейте топливо, поступающее в топливный бак.
  - 4) Установите фильтр в топливный бак и плотно затяните крышку бака.
  - 5) Затем запустите двигатель и дождитесь, пока он остановится.
- Извлеките свечу зажигания и капните несколько капель моторного масла через отверстие для свечи.
- Осторожно потяните рукоятку стартера, чтобы масло растеклось по двигателю, затем установите на место свечу.
- Установите крышку металлического ножа.
- Рекомендуется хранить устройство горизонтально. Если это невозможно, установите устройство таким образом, чтобы режущий узел оказался под двигателем. Обратите особое внимание на то, чтобы при хранении устройство не упало. Это может привести к травме.
- Храните слитое топливо в специальной канистре в хорошо проветриваемом месте.



### После длительного хранения

- Пред началом работы после длительного хранения обязательно замените масло (см. стр. 212). Пока устройство находится на хранении, качество масла снижается.

Позиция	Время работы	Время работы							Стр.
		До начала работы	После заправки топливом	Ежедневно (10 ч)	30 ч	50 ч	200 ч	Перед хранением	
Моторное масло	Осмотр/очистка	○							202
	Замена					○*1			212
Затяжка деталей (болт, гайка)	Осмотр	○							214
Топливный бак	Очистка/осмотр	○							—
	Слить топливо							○*3	215
Рычаг дроссельной заслонки	Проверка функционирования		○						—
Выключатель	Проверка функционирования		○						212
Режущий узел	Осмотр	○		○					199
Холостые обороты	Осмотр/регулировка			○					208
Воздушный фильтр	Очистка			○					213
Свеча зажигания	Осмотр			○					214
Воздушные патрубки и ребра охлаждения цилиндра	Очистка/осмотр			○					215
Топливный патрубок	Осмотр			○					215
	Замена						◎*2		—
Смазка картера редуктора	Заправка				○				214
Топливный фильтр	Очистка/замена					○			214
Зазор клапанов (впускной клапан и клапан выпуска)	Осмотр/регулировка						◎*2		—
Карбюратор	Слить топливо							○*3	215

\*1 Выполните первую замену после 20 ч работы.

\*2 Осмотр после 200 часов работы должен выполняться официальной сервисной службой или в мастерской.

\*3 После опорожнения топливного бака включите двигатель, чтобы выработать топливо из карбюратора.



## ПОИСК И УСТРАНЕНИЕ НЕИСПРАВНОСТЕЙ

Прежде чем подавать заявку на ремонт, попробуйте найти и устранить неисправность самостоятельно. Если найдена неисправность, выполните действия, описанные в руководстве. Запрещается разбирать или снимать узлы, если это не указано в руководстве. Для выполнения ремонта обращайтесь в официальную сервисную службу или к местному дилеру компании.

Отклонение от нормального состояния	Возможная причина (неисправность)	Способ устранения
Двигатель не запускается	Переключатель I-O установлен в положение "STOP".	Переведите переключатель I-O РАБОТА.
	Не работает насос подкачки	Нажмите 7-10 раз
	Медленно движется трос стартера при вытягивании	Тяните сильнее
	Недостаточно топлива	Залейте топливо
	Засорен топливный фильтр	Очистка
	Сломана топливная трубка	Выпрямите топливную трубку
	Снизилось качество топлива	Некачественное топлива затрудняет пуск двигателя. Замените топливо. (Рекомендованная периодичность замены: 1 месяц)
	Перелив топлива	Установите рычаг дроссельной заслонки из положения средних оборотов в положение высоких оборотов, затем потяните рукоятку стартера, чтобы запустить двигатель. <b>После запуска двигателя начнет вращаться металлический нож. Обращайте на него особое внимание.</b> Если двигатель по-прежнему не запускается, извлеките свечу зажигания, вытрите насухо электрод и установите свечу на место. Затем запустите двигатель как указано в руководстве.
	Снят провод свечи	Надежно установите
	Свеча зажигания загрязнена	Очистка
	Неправильный зазор свечи зажигания	Отрегулируйте зазор
	Другие отклонения в свече зажигания	Замена
	Неисправность карбюратора	Подайте заявку на осмотр и обслуживание.
	Не удастся вытянуть трос стартера	Подайте заявку на осмотр и обслуживание.
Неисправность привода	Подайте заявку на осмотр и обслуживание.	
Двигатель быстро глохнет Не увеличиваются обороты двигателя	Недостаточный прогрев	Выполните процедуру прогрева двигателя
	Рычаг воздушной заслонки установлен в положение "CLOSE (Закрывает)", хотя двигатель прогрет.	Установите в положение "OPEN" (открыт)
	Засорен топливный фильтр	Очистка
	Загрязнен или засорен воздушный фильтр	Очистка
	Неисправность карбюратора	Подайте заявку на осмотр и обслуживание.
	Неисправность привода	Подайте заявку на осмотр и обслуживание.
Металлический нож не вращается ↓ Немедленно выключите двигатель	Не затянута гайка крепления металлического ножа	Затяните
	Металлический нож или противодисперсионный кожух заблокирован ветками.	Удалите посторонние предметы
	Неисправность привода	Подайте заявку на осмотр и обслуживание.
Сильная вибрация основного блока ↓ Немедленно выключите двигатель	Сломан, погнут или изношен металлический нож	Замените металлический нож
	Не затянута гайка крепления металлического ножа	Затяните
	Смещение выпуклой поверхности металлического ножа и опоры металлического ножа.	Надежно установите
	Неисправность привода	Подайте заявку на осмотр и обслуживание.
Металлический нож останавливается не сразу ↓ Немедленно выключите двигатель	Высокие обороты холостого хода	Регулировка
	Отсоединен провод дроссельной заслонки	Надежно установите
	Неисправность привода	Подайте заявку на осмотр и обслуживание.
Двигатель не выключается ↓ Дайте двигателю поработать на холостых оборотах и установите рычаг дросселирования в положение CLOSE (Закрывает)	Отсоединен разъем	Надежно установите
	Неисправность в электросистеме	Подайте заявку на осмотр и обслуживание.

Если двигатель не запускается после прогрева:

Если в результате проверки неисправность не выявлена, откройте дроссельную заслонку примерно на 1/3 и запустите двигатель.





**Makita Corporation**

Anjo, Aichi, Japan

[www.makita.com](http://www.makita.com)

885118D981

ALA