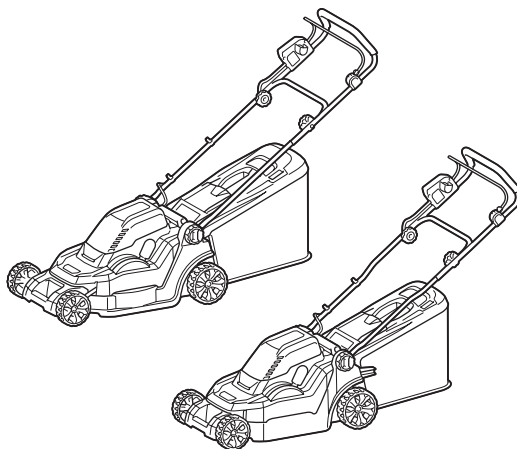
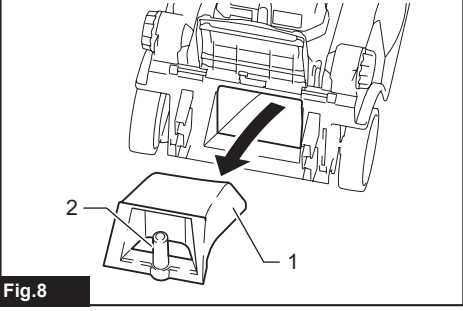
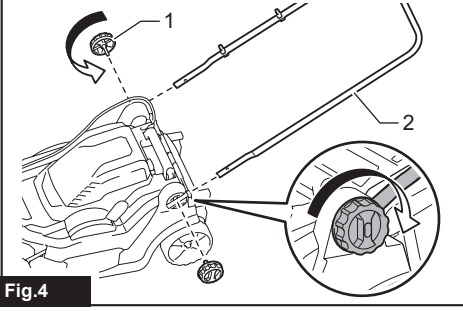
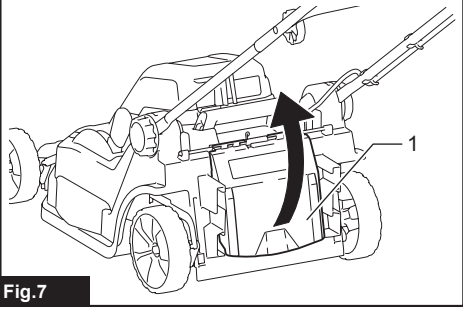
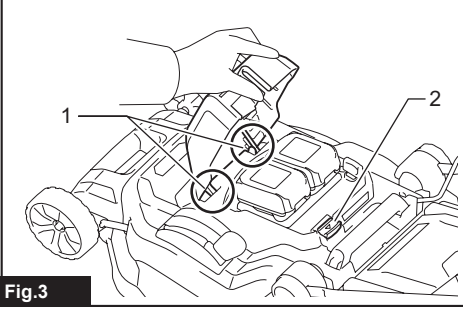
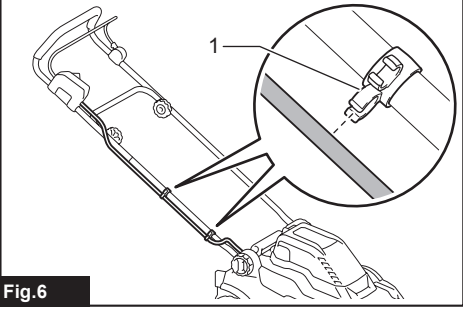
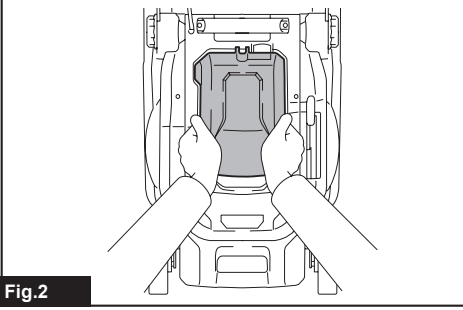
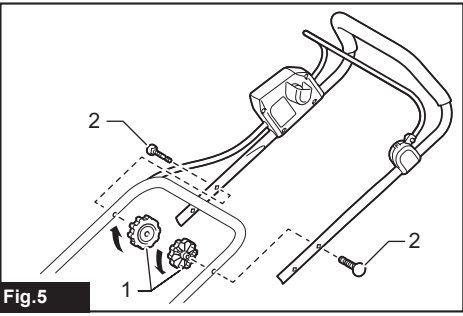
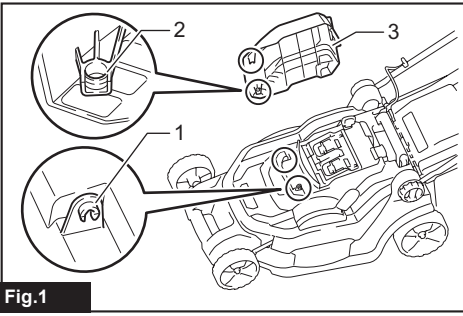




EN	Cordless Lawn Mower	INSTRUCTION MANUAL	7
SV	Batteridrivnen gräsclippare	BRUKSANVISNING	17
NO	Batteridrevet gressklipper	BRUKSANVISNING	27
FI	Akkukäyttöinen ruohonleikkuri	KÄYTTÖOHJE	37
DA	Akku-plæneklipper	BRUGSANVISNING	47
LV	Bezvada zāles pļaujmašīna	LIETOŠANAS INSTRUKCIJA	57
LT	Belaidė vejapjovė	NAUDOJIMO INSTRUKCIJA	67
ET	Akutoitega elektriline muruniiduk	KASUTUSJUHEND	77
RU	Акумуляторная Газонокосилка	РУКОВОДСТВО ПО ЭКСПЛУАТАЦИИ	87

DLM382
DLM432





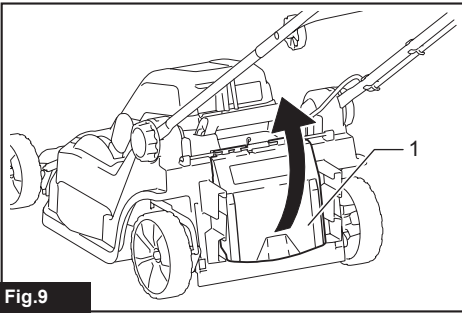


Fig.9

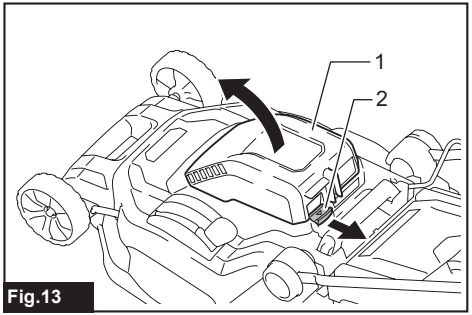


Fig.13

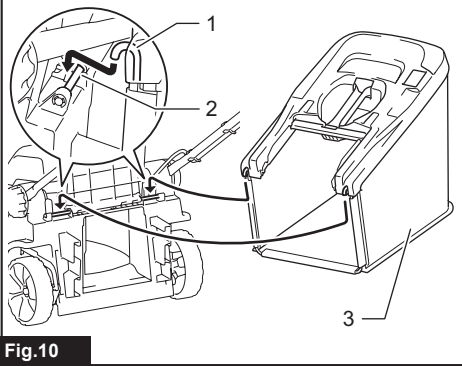


Fig.10

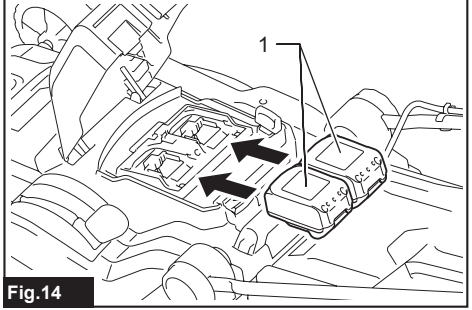


Fig.14

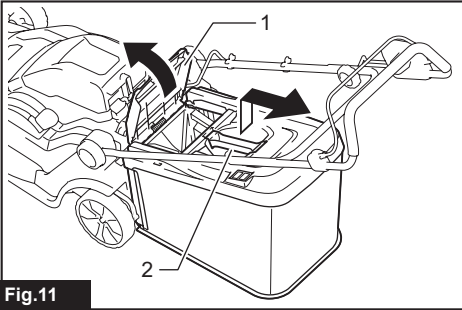


Fig.11

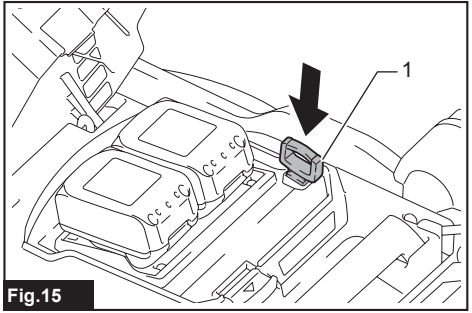


Fig.15

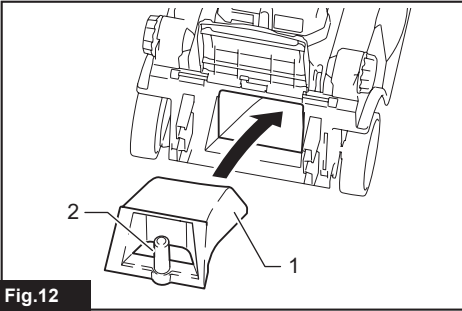


Fig.12

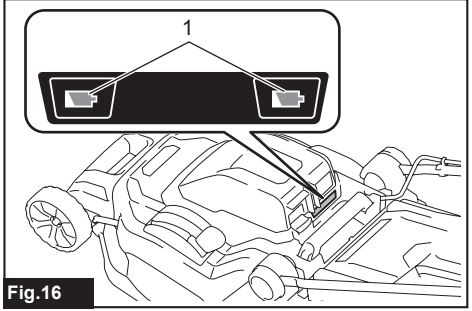


Fig.16

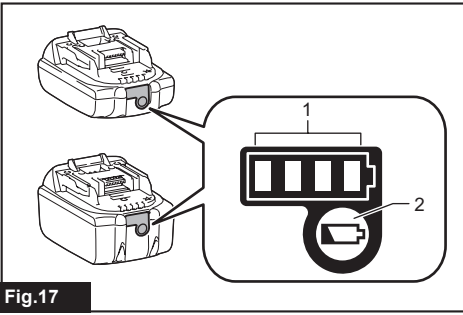


Fig.17

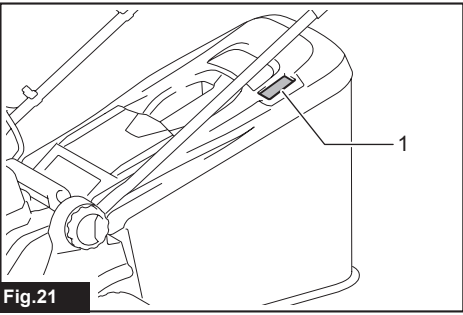


Fig.21

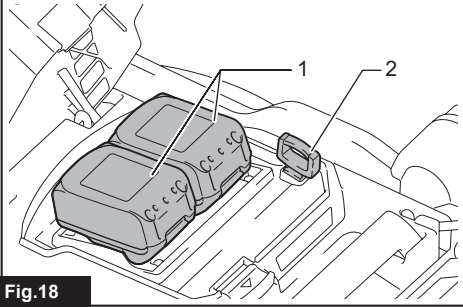


Fig.18

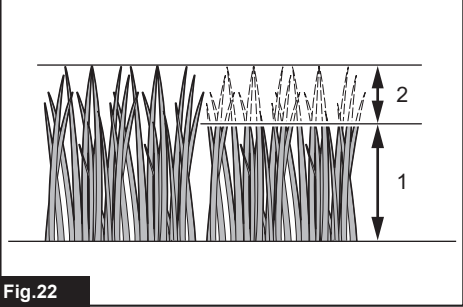


Fig.22

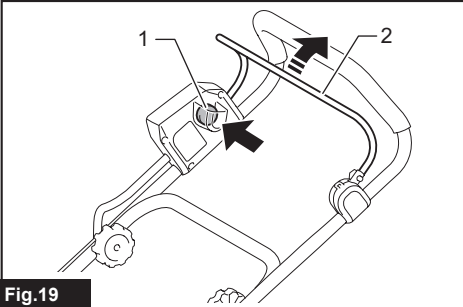


Fig.19



Fig.23

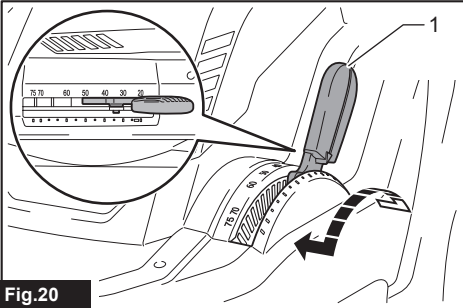


Fig.20

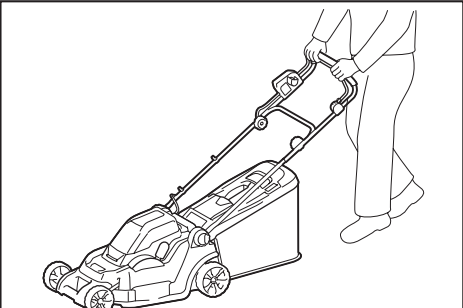


Fig.24

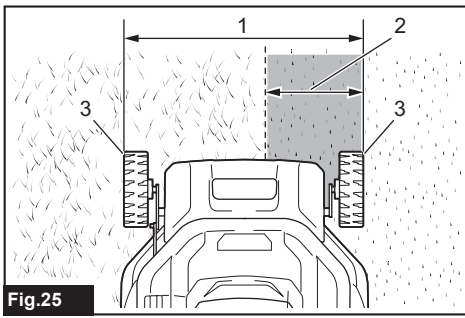


Fig.25

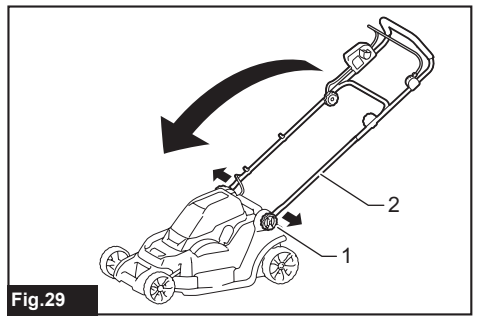


Fig.29

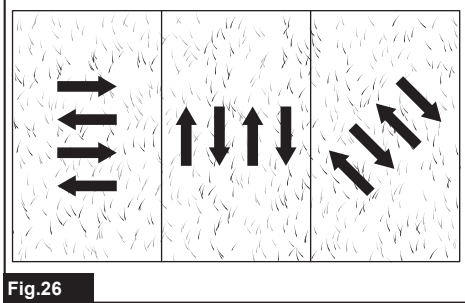


Fig.26

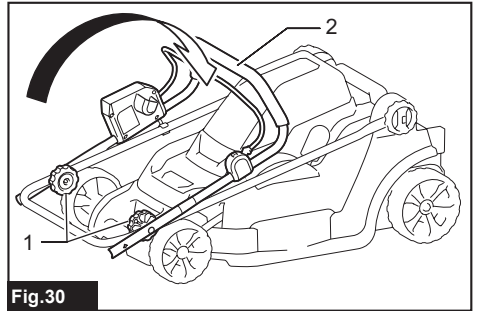


Fig.30

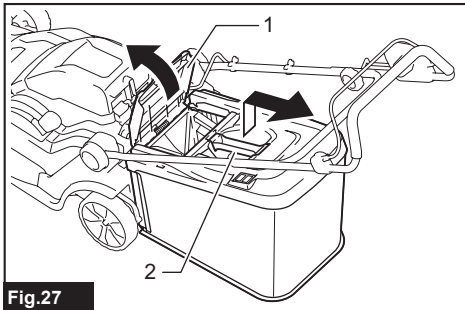


Fig.27

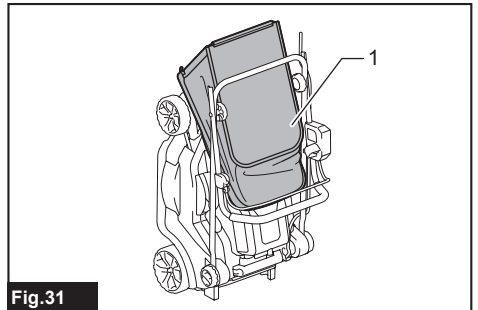


Fig.31

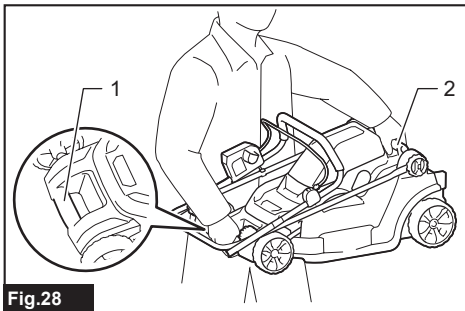


Fig.28

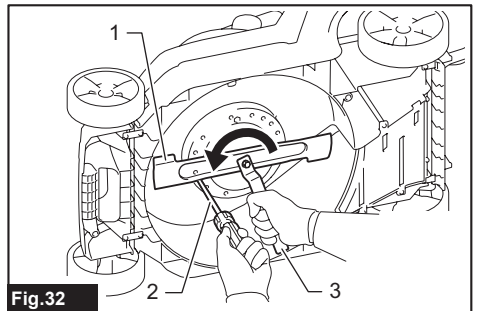
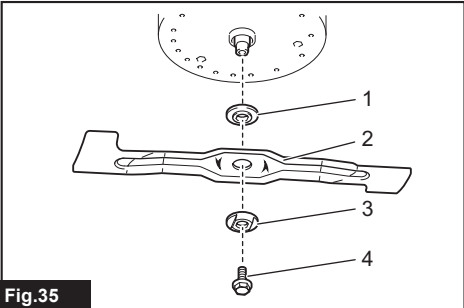
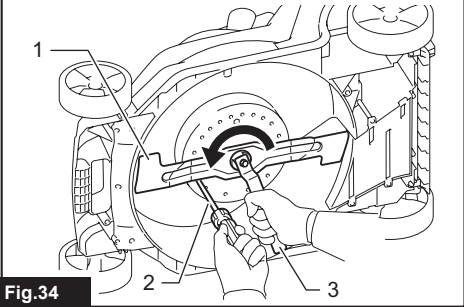
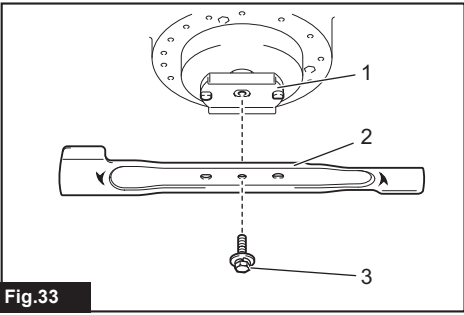


Fig.32



SPECIFICATIONS

Model:	DLM382	DLM432	
Mowing width (blade diameter)	380 mm	430 mm	
No load speed	3,700 min ⁻¹	3,600 min ⁻¹	
Part number of replacement mower blade	191D41-2	191D43-8	
Dimensions (L x W x H)	during operation	L: 1,380 mm to 1,410 mm W: 450 mm H: 985 mm to 1,005 mm	L: 1,435 mm to 1,490 mm W: 460 mm H: 1,005 mm to 1,045 mm
	when stored (without grass basket)	860 mm x 450 mm x 475 mm	865 mm x 460 mm x 475 mm
Rated voltage	D.C. 36 V		
Net weight	15.5 - 16.5 kg	16.0 - 16.9 kg	

- Due to our continuing program of research and development, the specifications herein are subject to change without notice.
- Specifications may differ from country to country.
- The weight may differ depending on the attachment(s), including the battery cartridge. The lightest and heaviest combinations, according to EPTA-Procedure 01/2014, are shown in the table.

Applicable battery cartridge and charger

Battery cartridge	BL1830B / BL1840B / BL1850B / BL1860B
Charger	DC18RC / DC18RD / DC18RE / DC18SD / DC18SE / DC18SF / DC18SH / DC18WC








- Some of the battery cartridges and chargers listed above may not be available depending on your region of residence.

⚠ WARNING: Only use the battery cartridges and chargers listed above. Use of any other battery cartridges and chargers may cause injury and/or fire.

⚠ WARNING: Do not use a corded power supply such as battery adapter or portable power pack with this machine. The cable of such power supply may hinder the operation and result in personal injury.

Symbols

The followings show the symbols which may be used for the equipment. Be sure that you understand their meaning before use.

	Take particular care and attention.
	Read instruction manual.
	Danger; be aware of thrown objects.
	The distance between the tool and bystanders must be at least 15 m.
	Never put your hands and feet near the mower blade under the mower. Mower blades continue to rotate after the motor is switched off.
	Remove the lock key before inspecting, adjusting, cleaning, servicing, leaving and storing the mower.
	Warning; Disconnect battery before maintenance.



Guaranteed sound power level according to EU Outdoor Noise Directive.



Sound power level according to Australia NSW Noise Control Regulation.



Only for EU countries
Due to the presence of hazardous components in the equipment, waste electrical and electronic equipment, accumulators and batteries may have a negative impact on the environment and human health. Do not dispose of electrical and electronic appliances or batteries with household waste!

In accordance with the European Directive on waste electrical and electronic equipment and on accumulators and batteries and waste accumulators and batteries, as well as their adaptation to national law, waste electrical equipment, batteries and accumulators should be stored separately and delivered to a separate collection point for municipal waste, operating in accordance with the regulations on environmental protection.

This is indicated by the symbol of the crossed-out wheeled bin placed on the equipment.

Intended use

The machine is intended for lawn mowing.

Noise

The typical A-weighted noise level determined according to EN IEC 62841-4-3:

Model	Measured sound power level (L_{WA}) : (dB(A))	Guaranteed sound power level (L_{WA}) : (dB(A))
DLM382	91	94
DLM432	92	95

Model	Sound pressure level (L_{pA}) : (dB(A))	Uncertainty for sound pressure level (K) : (dB(A))
DLM382	81	3
DLM432	81	3

NOTE: The declared noise emission value(s) has been measured in accordance with a standard test method and may be used for comparing one tool with another.

NOTE: The declared noise emission value(s) may also be used in a preliminary assessment of exposure.

⚠ WARNING: Wear ear protection.

⚠ WARNING: The noise emission during actual use of the power tool can differ from the declared value(s) depending on the ways in which the tool is used especially what kind of workpiece is processed.

⚠ WARNING: Be sure to identify safety measures to protect the operator that are based on an estimation of exposure in the actual conditions of use (taking account of all parts of the operating cycle such as the times when the tool is switched off and when it is running idle in addition to the trigger time).

Vibration

The vibration total value (tri-axial vector sum) determined according to EN IEC 62841-4-3:

Model DLM382

Vibration emission (a_h) : 2.5 m/s² or less
Uncertainty (K) : 2.0 m/s²

Model DLM432

Vibration emission (a_h) : 2.5 m/s² or less
Uncertainty (K) : 1.5 m/s²

NOTE: The declared vibration total value(s) has been measured in accordance with a standard test method and may be used for comparing one tool with another.

NOTE: The declared vibration total value(s) may also be used in a preliminary assessment of exposure.

⚠ WARNING: The vibration emission during actual use of the power tool can differ from the declared value(s) depending on the ways in which the tool is used especially what kind of workpiece is processed.

⚠ WARNING: Be sure to identify safety measures to protect the operator that are based on an estimation of exposure in the actual conditions of use (taking account of all parts of the operating cycle such as the times when the tool is switched off and when it is running idle in addition to the trigger time).

Declarations of Conformity

For European countries only

The Declarations of conformity are included in Annex A to this instruction manual.

SAFETY WARNINGS

General power tool safety warnings

⚠ WARNING Read all safety warnings, instructions, illustrations and specifications provided with this power tool. Failure to follow all instructions listed below may result in electric shock, fire and/or serious injury.

Save all warnings and instructions for future reference.

The term "power tool" in the warnings refers to your mains-operated (corded) power tool or battery-operated (cordless) power tool.

Cordless lawnmower safety warnings

1. **Do not use the lawnmower in bad weather conditions, especially when there is a risk of lightning.** This decreases the risk of being struck by lightning.
2. **Thoroughly inspect the area for wildlife where the lawnmower is to be used.** Wildlife may be injured by the lawnmower during operation.
3. **Thoroughly inspect the area where the lawnmower is to be used and remove all stones, sticks, wires, bones, and other foreign objects.** Thrown objects can cause personal injury.
4. **Before using the lawnmower, always visually inspect to see that the blade and the blade assembly are not worn or damaged.** Worn or damaged parts increase the risk of injury.
5. **Check the grass catcher frequently for wear or deterioration.** A worn or damaged grass catcher may increase the risk of personal injury.
6. **Keep guards in place. Guards must be in working order and be properly mounted.** A guard that is loose, damaged, or is not functioning correctly may result in personal injury.

7. **Keep all cooling air inlets clear of debris.**
Blocked air inlets and debris may result in overheating or risk of fire.
8. **While operating the lawnmower, always wear non-slip and protective footwear. Do not operate the lawnmower when barefoot or wearing open sandals.** This reduces the chance of injury to the feet from contact with the moving blade.
9. **While operating the lawnmower, always wear long trousers.** Exposed skin increases the likelihood of injury from thrown objects.
10. **Do not operate the lawnmower in wet grass. Walk, never run.** This reduces the risk of slipping and falling which may result in personal injury.
11. **Do not operate the lawnmower on excessively steep slopes.** This reduces the risk of loss of control, slipping and falling which may result in personal injury.
12. **When working on slopes, always be sure of your footing, always work across the face of slopes, never up or down and exercise extreme caution when changing direction.** This reduces the risk of loss of control, slipping and falling which may result in personal injury.
13. **Use extreme caution when reversing or pulling the lawnmower towards you. Always be aware of your surroundings.** This reduces the risk of tripping during operation.
14. **Do not touch blades and other hazardous moving parts while they are still in motion.** This reduces the risk of injury from moving parts.
15. **When clearing jammed material or cleaning the lawnmower, make sure all power switches are off and the battery pack is disconnected.** Unexpected operation of the lawnmower may result in serious personal injury.

Additional safety warnings

Training

1. **Read the instructions carefully. Be familiar with the controls and the proper use of the mower.**
2. **Never allow children or people unfamiliar with these instructions to use the mower. Local regulations can restrict the age of the operator.**
3. **Never operate the mower while people, especially children, or pets are nearby.**
4. **Keep in mind that the operator or user is responsible for accidents or hazards occurring to other people or their property.**

Preparation

1. **Be sure the area is clear of other people before mowing. Stop mower if anyone enters the area.**
2. **Do not insert the lock key into mower until it is ready to be used.**
3. **Watch for holes, ruts, bumps, rocks, or other hidden objects.** Uneven terrain could cause a slip and fall accident. Tall grass can hide obstacles.
4. **Do not insert or remove the lock key in the rain.**

Operation

1. **Stop the mower and remove the lock key, and make sure that all moving parts have come to a complete stop**
 - whenever you leave the mower;
 - before clearing blockages or unclogging chute;
 - before checking, cleaning or working on the mower.
2. **If the mower strikes a foreign object, follow these steps:**
 - **Stop the mower, release the switch lever and wait until the blade comes to a complete stop.**
 - **Remove the lock key and the battery cartridge.**
 - **Thoroughly inspect the mower for any damage.**
 - **Replace the blade if it is damaged in any way. Repair any damage before restarting and continuing to operate the mower.**
3. **If the mower starts to vibrate abnormally or you notice anything unusual, follow these steps immediately:**
 - **Stop the mower, release the switch lever and wait until the blade comes to a complete stop.**
 - **Remove the lock key and the battery cartridge.**
 - **Inspect for damage and replace or repair any damaged parts.**
 - **Check for and tighten any loose parts.**
4. **Never operate the mower with defective guards or shields, or without safety devices, for example deflectors and/or grass basket, in place.**
5. **Operate the mower only in daylight or in good artificial light.**
6. **Switch on the mower carefully according to instructions and with feet well away from the blade(s).**
7. **Take care against injury to feet and hands from the mower blades.**
8. **Stop the blade(s) if the mower has to be tilted for transportation when crossing surfaces other than grass, and when transporting the mower to and from the area to be used.**
9. **Do not tilt the mower when switching on the motor, except if the mower has to be tilted for starting. In this case, do not tilt it more than absolutely necessary and lift only the part, which is away from the operator. Always ensure that both hands are in the operating position before returning the mower to the ground.**
10. **Do not put hands or feet near or under rotating parts. Keep clear of the discharge opening at all times.**
11. **Always keep a firm hold on the handle.**
12. **Don't grasp the exposed cutting blades or cutting edges when picking up or holding the mower.**
13. **Keep hands and feet away from rotating blades. Caution - Blades coast after the mower is switched off.**

14. Never attempt to make cutting height adjustments while mower is running if the mower has cutting height adjustment feature.
15. Release switch lever and wait for blade rotation to stop before crossing driveways, walks, roads, and any gravel-covered areas. Also remove the lock key if you leave the mower, reach to pick up or remove something out of your way, or for any other reason that may distract you from what you are doing.
16. Do not start the mower when standing in front of the discharge opening.
17. Never direct discharged material toward anyone. Avoid discharging material against a wall or obstruction. Material may ricochet back toward the operator. Stop the blade when crossing gravel surfaces.
18. Do not pull the mower backwards unless absolutely necessary. When you are compelled to back the mower from a fence or other similar obstruction, look down and behind before and while moving backwards.
19. Shut the motor off and wait until the blade comes to a complete stop before removing the grass catcher. Beware that the blades coast after turn off.
20. When you use the machine on muddy ground, wet slope, or slippery place, pay attention to your footing.
21. Avoid working in poor environment where increased user fatigue is expected.
22. Do not use the machine in bad weather where visibility is limited. Failure to do so may cause fall or incorrect operation due to low visibility.
23. Do not submerge the machine into a puddle.
24. When wet leaves or dirt adhere to the suction mouth (ventilation window) due to rain, remove them.
25. Do not use the machine in the snow.
26. If the cut-off grass is wet, it is likely to be clogged inside of the machine. Check the condition of the machine regularly, and remove the adhered grass as necessary.
27. When operating the machine, pay attention to piping and wiring.
8. When servicing the blades be aware that, even though the power source is switched off, the blades can still be moved.
9. Never remove or tamper with safety devices. Check their proper operation regularly. Never do anything to interfere with the intended function of a safety device or to reduce the protection provided by a safety device.
10. Do not leave the machine unattended outdoors in the rain.
11. Do not wash the machine with high pressure water.
12. When washing the machine, be sure to remove the battery and lock key and close the battery cover, and pour water toward the bottom of the machine to which the blade is attached.
13. When storing the machine, avoid direct sunlight and rain, and store it in a place where it does not get hot or humid.
14. Perform inspection or maintenance in a place where rain can be avoided.
15. After using the machine, remove the adhered dirt and dry the machine completely before storing. Depending on the season or the area, there is a risk of malfunction due to freezing.

Maintenance and storage

1. Inspect and maintain the mower regularly.
2. Keep all nuts, bolts, and screws tight to be sure the equipment is in safe working condition.
3. Check the grass basket frequently for wear or deterioration. For storage, always make sure the grass basket is empty. Replace a worn grass basket with a new factory replacement for safety.
4. Use only the manufacturer genuine blades specified in this manual.
5. Be careful during adjustment of the mower to prevent entrapment of the fingers between moving blades and fixed parts of the mower.
6. Check the blade mounting bolt at frequent intervals for proper tightness.
7. Always allow the mower to cool down before storing.

Electrical and battery safety

1. Do not open or mutilate the battery(ies). Released electrolyte is corrosive and may cause damage to the eyes or skin. It may be toxic if swallowed.
2. Do not charge battery in rain, or in wet locations.
3. Do not charge the battery outdoors.
4. Do not handle charger, including charger plug, and charger terminals with wet hands.
5. Do not replace the battery in the rain.
6. Do not wet the terminal of battery with liquid such as water, or submerge the battery. Do not leave the battery in the rain, nor charge, use, or store the battery in a damp or wet place. If the terminal gets wet or liquid enters inside of battery, the battery may be short circuited and there is a risk of overheat, fire, or explosion.
7. After removing the battery from the machine or charger, be sure to attach the battery cover to the battery and store it in a dry place.
8. Do not replace the battery with wet hands.
9. Avoid dangerous environment. Don't use the machine in dump or wet locations or expose it to rain. Water entering the machine will increase the risk of electric shock.
10. If the battery cartridge gets wet, drain the water inside and then wipe it with a dry cloth. Dry the battery cartridge completely in a dry place before use.

SAVE THESE INSTRUCTIONS.

⚠WARNING: DO NOT let comfort or familiarity with product (gained from repeated use) replace strict adherence to safety rules for the subject product. MISUSE or failure to follow the safety rules stated in this instruction manual may cause serious personal injury.

Important safety instructions for battery cartridge

1. Before using battery cartridge, read all instructions and cautionary markings on (1) battery charger, (2) battery, and (3) product using battery.
2. Do not disassemble or tamper with the battery cartridge. It may result in a fire, excessive heat, or explosion.
3. If operating time has become excessively shorter, stop operating immediately. It may result in a risk of overheating, possible burns and even an explosion.
4. If electrolyte gets into your eyes, rinse them out with clear water and seek medical attention right away. It may result in loss of your eyesight.
5. Do not short the battery cartridge:
 - (1) Do not touch the terminals with any conductive material.
 - (2) Avoid storing battery cartridge in a container with other metal objects such as nails, coins, etc.
 - (3) Do not expose battery cartridge to water or rain.

A battery short can cause a large current flow, overheating, possible burns and even a breakdown.
6. Do not store and use the tool and battery cartridge in locations where the temperature may reach or exceed 50 °C (122 °F).
7. Do not incinerate the battery cartridge even if it is severely damaged or is completely worn out. The battery cartridge can explode in a fire.
8. Do not nail, cut, crush, throw, drop the battery cartridge, or hit against a hard object to the battery cartridge. Such conduct may result in a fire, excessive heat, or explosion.
9. Do not use a damaged battery.
10. The contained lithium-ion batteries are subject to the Dangerous Goods Legislation requirements. For commercial transports e.g. by third parties, forwarding agents, special requirement on packaging and labeling must be observed. For preparation of the item being shipped, consult an expert for hazardous material is required. Please also observe possibly more detailed national regulations. Tape or mask off open contacts and pack up the battery in such a manner that it cannot move around in the packaging.
11. When disposing the battery cartridge, remove it from the tool and dispose of it in a safe place. Follow your local regulations relating to disposal of battery.
12. Use the batteries only with the products specified by Makita. Installing the batteries to non-compliant products may result in a fire, excessive heat, explosion, or leak of electrolyte.
13. If the tool is not used for a long period of time, the battery must be removed from the tool.
14. During and after use, the battery cartridge may take on heat which can cause burns or low temperature burns. Pay attention to the handling of hot battery cartridges.

15. Do not touch the terminal of the tool immediately after use as it may get hot enough to cause burns.
16. Do not allow chips, dust, or soil stuck into the terminals, holes, and grooves of the battery cartridge. It may cause heating, catching fire, burst and malfunction of the tool or battery cartridge, resulting in burns or personal injury.
17. Unless the tool supports the use near high-voltage electrical power lines, do not use the battery cartridge near high-voltage electrical power lines. It may result in a malfunction or breakdown of the tool or battery cartridge.
18. Keep the battery away from children.

SAVE THESE INSTRUCTIONS.

CAUTION: Only use genuine Makita batteries. Use of non-genuine Makita batteries, or batteries that have been altered, may result in the battery bursting causing fires, personal injury and damage. It will also void the Makita warranty for the Makita tool and charger.

Tips for maintaining maximum battery life

1. Charge the battery cartridge before completely discharged. Always stop tool operation and charge the battery cartridge when you notice less tool power.
2. Never recharge a fully charged battery cartridge. Overcharging shortens the battery service life.
3. Charge the battery cartridge with room temperature at 10 °C - 40 °C (50 °F - 104 °F). Let a hot battery cartridge cool down before charging it.
4. When not using the battery cartridge, remove it from the tool or the charger.
5. Charge the battery cartridge if you do not use it for a long period (more than six months).

ASSEMBLY

WARNING: Always be sure that the lock key and battery cartridge are removed before carrying out any work on the mower. Failure to remove the lock key and the battery cartridge may result in serious personal injury from accidental start-up.

WARNING: Never start the mower unless it is completely assembled. Operation of the machine in a partially assembled state may result in serious personal injury from accidental start-up.

Installing the battery cover

WARNING: Do not insert the lock key and battery cartridge before installing the battery cover. Failure to do so may cause a serious injury.

Install the battery cover completely before the operation. The battery cover protects the mower and battery cartridge from mud, dirt, and water.

1. Place the battery cover with the protrusions on the mower aligned with the holes on the battery cover.

► **Fig.1:** 1. Protrusion 2. Hole 3. Battery cover

2. Place your hands in the middle of the battery cover and push it.

► **Fig.2**

3. Before the first operation, check that the pivot point of the battery cover is attached properly. If the battery cover is installed correctly, it will not open until the battery cover locking lever is pulled.

► **Fig.3:** 1. Pivot point 2. Battery cover locking lever

Installing the handle

NOTICE: When installing handles, position the cords so that they are not caught by anything between the handles. If the cord is damaged, the mower switch may not work.

1. Slide the both ends of lower handle into the grooves of the mower then fully tighten the clamping screws.

► **Fig.4:** 1. Clamping screw 2. Lower handle

2. Align the screw holes of upper handle and lower handle. Secure them with the clamping screws and nuts.

► **Fig.5:** 1. Clamping nut 2. Clamping screw

NOTE: Hold the upper handle firmly so that it does not drop off your hand.

3. Attach the holders to the handle. Position the power supply cord as shown in the figure.

► **Fig.6:** 1. Holder

Removing the mulching plug

Optional accessory

1. Open the rear cover.

► **Fig.7:** 1. Rear cover

2. Hold the mulching plug by the handle, and then pull it out from the mower body as shown in the figure.

► **Fig.8:** 1. Mulching plug 2. Handle

Installing the grass basket

1. Open the rear cover.

► **Fig.9:** 1. Rear cover

2. Hook the grass basket on the rod of the mower body as shown in the figure.

► **Fig.10:** 1. Hook 2. Rod 3. Grass basket

Attaching the mulching plug

Optional accessory

1. Open the rear cover, and then remove the grass basket.

► **Fig.11:** 1. Rear cover 2. Grass basket

2. Hold the mulching plug by the handle, and then attach it to the mower body as shown in the figure.

► **Fig.12:** 1. Mulching plug 2. Handle

FUNCTIONAL DESCRIPTION

Installing or removing battery cartridge

CAUTION: Always switch off the machine before installing or removing of the battery cartridge.

CAUTION: Make sure that you lock the battery cover before use. Otherwise, mud, dirt, or water may cause damage to the product or the battery cartridge.

CAUTION: Always install the battery cartridge fully until the red indicator cannot be seen. If not, it may accidentally fall out of the machine, causing injury to you or someone around you.

CAUTION: Do not install the battery cartridge forcibly. If the cartridge does not slide in easily, it is not being inserted correctly.

NOTE: The machine does not work with only one battery cartridge.

To install the battery cartridge;

1. Slide the battery cover locking lever and open the battery cover.

► **Fig.13:** 1. Battery cover 2. Battery cover locking lever

2. Align the tongue on the battery cartridge with the slot on the mower then slide the cartridge until it locks in place with a little click.

► **Fig.14:** 1. Battery cartridge

3. Insert the lock key in the place shown in the figure as far as it will go.

► **Fig.15:** 1. Lock key

4. Close the battery cover and push it until it is latched with the locking lever.

To remove the battery cartridge from the mower;

1. Slide the battery cover locking lever and open the battery cover.

2. Pull out the battery cartridge from the mower while sliding the button on the front of the cartridge.

3. Pull out the lock key.

4. Close the battery cover.

Machine / battery protection system

The machine is equipped with a machine/battery protection system. This system automatically cuts off power to the motor to extend tool and battery life. The machine will automatically stop during operation if the machine or battery is placed under one of the following conditions.

Overload protection

When the machine is operated in a manner that causes it to draw an abnormally high current, the machine automatically stops without any indication. In this situation, turn the machine off and stop the application that caused the machine to become overloaded. Then turn the machine on to restart.

Overheat protection

When the machine is overheated, the machine stops automatically. Let the machine cool down before turning the machine on again.

Overdischarge protection

When the battery capacity becomes low, the machine stops automatically. If the product does not operate even when the switches are operated, remove the batteries from the machine and charge the batteries.

Indicating the remaining battery capacity

► Fig.16: 1. Battery indicator

























When the remaining battery capacity gets low, the battery indicator blinks on the applicable battery side. By further use, the machine stops and the battery indicator lights up. In this situation, charge the battery cartridge.

Indicating the remaining battery capacity

Only for battery cartridges with the indicator

Press the check button on the battery cartridge to indicate the remaining battery capacity. The indicator lamps light up for a few seconds.

► Fig.17: 1. Indicator lamps 2. Check button

Indicator lamps			Remaining capacity
Lighted	Off	Blinking	
			75% to 100%
			
			50% to 75%
			25% to 50%
			0% to 25%
			Charge the battery.
			The battery may have malfunctioned.
			

NOTE: Depending on the conditions of use and the ambient temperature, the indication may differ slightly from the actual capacity.

NOTE: The first (far left) indicator lamp will blink when the battery protection system works.

Switch action

⚠ WARNING: Before installing the battery cartridge, always check to see that the switch lever actuates properly and returns to the original position when released. Operating a machine with a switch that does not actuate properly can lead to loss of control and serious personal injury.

NOTE: The mower does not start without pressing the switch button even the switch lever is pulled.

NOTE: Mower may not start due to the overload when you try to mow long or dense grass at a time. Increase the mowing height in this case.

This mower is equipped with the interlock switch and handle switch. If you notice anything unusual with either of these switches, stop operation immediately and have them checked by your nearest Makita Authorized Service Center.

1. Install the battery cartridges. Insert the lock key into the interlock switch and then close the battery cover.

► Fig.18: 1. Battery cartridge 2. Lock key

2. Press the switch button and hold it.

3. Grab the upper handle and pull the switch lever.

► Fig.19: 1. Switch button 2. Switch lever

4. Release the switch button as soon as the motor starts running. The mower will continue to run until you release the switch lever.

5. Release the switch lever to stop the motor.

Adjusting the mowing height

⚠ WARNING: Never put your hand or leg under the mower body when adjusting the mowing height.

⚠ WARNING: Always make sure that the lever fits in the groove properly before operation.

The mowing height can be adjusted in the range of between 20 mm and 75 mm.

1. Remove the lock key.

2. Pull the mowing height adjusting lever to the outward of the mower body and move it to your desired mowing height.

► Fig.20: 1. Mowing height adjusting lever

NOTE: The mowing height figures should be used just as a guideline. Depending on the conditions of the lawn or the ground, the actual lawn height may become slightly different from the set height.

NOTE: Try a test mowing of grass in a less conspicuous place to get your desired height.

Grass level indicator

► Fig.21: 1. Grass level indicator

Grass level indicator shows the volume of mowed grass.

- When the grass basket is not full, the indicator floats during mowing.
- When the grass basket is full, the indicator does not float during mowing. In this case, stop mowing immediately and empty the basket. After emptying the basket, clean it so that its meshwork vents the air.

NOTE: This indicator is a rough guide. Depending on the conditions of inside of the basket, this indicator may not work properly.

Using mulching plug

Optional accessory

The mulching plug allows you to return the cut grass to the ground without gathering the cut grass in the grass basket. When you operate the machine with the mulching plug, be sure to remove the grass basket.

NOTICE: When using the machine with the mulching plug, make sure that the total length of grass after cutting is 30 mm or more, and the cut length is 15 mm or less.

► Fig.22: (1) 30 mm or more (2) 15 mm or less

OPERATION

Mowing

⚠ WARNING: Before mowing, clear away sticks and stones from mowing area. Furthermore, clear away any weeds from mowing area in advance.

⚠ WARNING: Always wear the safety goggles or safety glasses with side shields when operating the mower.

⚠ CAUTION: If the cut grass or foreign object blocks up inside of the mower body, be sure to remove the lock key and battery cartridge and wear gloves before removing the grass or foreign object.

NOTICE: Use this machine for mowing lawn only. Do not mow weeds with this machine.

► Fig.23

Firmly hold the handle with both hands when mowing.

The mowing speed guideline is approximately 1 meter per 4 seconds.

► Fig.24

The outside edges of the front wheels are guidelines to mowing width. Using the outside edges of the front wheels as guidelines, mow in strips. Overlap by one half to one third the previous strip to mow the lawn evenly.

► Fig.25: 1. Mowing width 2. Overlapping area 3. Outside edge

Change the mowing direction each time to prevent the grass grain pattern from forming in just one direction.

► Fig.26

Periodically check the grass basket for mowed grass. Empty the grass before it becomes full. Before every periodical check, be sure to stop the mower then remove the lock key and the battery cartridge.

NOTICE: Using the mower with the grass basket full prevents smooth blade rotation and places an extra load on the motor, which may cause breakdown.

Mowing a long-grass lawn

Do not try to cut long grass all in one go. Instead, mow the lawn in some steps. Leave a day or two between mows until the lawn becomes evenly short.

NOTE: Mowing long grass to a short length all in one go may cause the grass to die. The cut grass may also block up inside of the mower body.

Emptying the grass basket

⚠ WARNING: To reduce a risk of accident, regularly check the grass basket for any damage or weakened strength. Replace the grass basket if necessary.

1. Release the switch lever.
 2. Remove the lock key.
 3. Open the rear cover and take out the grass basket by holding the handle.
- Fig.27: 1. Rear cover 2. Handle
4. Empty the grass basket.

MAINTENANCE

⚠ WARNING: Always be sure that the lock key and battery cartridge are removed from the mower before storing or carrying the mower or attempting to perform inspection or maintenance.

⚠ WARNING: Always remove the lock key when the mower is not in use. Store the lock key in a safe place out of reach of children.

⚠ WARNING: Wear gloves when performing inspection or maintenance.

⚠ WARNING: Always wear the safety goggles or safety glasses with side shields when performing inspection or maintenance.

NOTICE: Never use gasoline, benzine, thinner, alcohol or the like. Discoloration, deformation or cracks may result.

To maintain product SAFETY and RELIABILITY, repairs, any other maintenance or adjustment should be performed by Makita Authorized or Factory Service Centers, always using Makita replacement parts.

Maintenance

1. Remove the lock key. Store it in a safe place out of the reach of children.
2. Clean the mower using only a wet cloth. Do not spray or pour water on the mower when cleaning.
3. Put the mower on its side and clean grass clippings accumulated on the underside of mower deck.
4. Check all nuts, bolts, knobs, screws, fasteners etc. for tightness.
5. Inspect moving parts for damage, breakage, and wear. Damaged or missing parts should be repaired or replaced.

Storage

⚠ WARNING: When carrying or storing the mower, do not hold the folded handles but the front grip of the mower. Holding the folded handles may cause a serious injury or damage to the mower.

Before storing the mower, remove the battery cartridge and lock key.

Store mower indoors in a cool, dry and locked place. Don't store the mower and charger in locations where the temperature may reach or exceed 40 °C.

► **Fig.28:** 1. Front grip 2. Rear grip

1. Loosen the clamping screws and expand the lower handle to both sides. Move down the handle forward. At this time, keep a firm grip on the lower handle so that the handle does not fall down to the far side from the mower body.
► **Fig.29:** 1. Clamping screw 2. Lower handle
2. Loosen the clamping nuts and pivot the upper handle back while expanding the both sides.
► **Fig.30:** 1. Clamping nut 2. Upper handle
3. Store the grass basket between the handle and the mower body.
► **Fig.31:** 1. Grass basket

NOTE: When putting the mower in the upright position, do not hold the handle but use the front grip of the mower.

Removing or installing the mower blade

⚠ WARNING: Always remove the lock key and battery cartridge when removing or installing the blade. Failure to remove the lock key and battery cartridge may cause a serious injury.

⚠ WARNING: The blade coasts for a few seconds after releasing the switch. Do not start any operation until the blade comes to a complete stop.

⚠ WARNING: Always wear gloves when handling the blade.

Removing the mower blade

For DLM382

1. Put the mower on its side so that the mowing height adjusting lever comes to the upper side.
2. To lock the blade rotation, insert a screwdriver or a similar tool into a hole on the mower body.
3. Turn the bolt counterclockwise with the wrench.
► **Fig.32:** 1. Mower blade 2. Screwdriver 3. Wrench

4. Remove the bolt and blade in order.
► **Fig.33:** 1. Blade support 2. Mower blade 3. Bolt

For DLM432

1. Put the mower on its side so that the mowing height adjusting lever comes to the upper side.
2. To lock the blade rotation, insert a screwdriver or a similar tool into a hole on the mower body.
3. Turn the bolt counterclockwise with the wrench.
► **Fig.34:** 1. Mower blade 2. Screwdriver 3. Wrench

4. Remove the bolt, outer flange, mower blade, and inner flange in order.

► **Fig.35:** 1. Inner flange 2. Mower blade 3. Outer flange 4. Bolt

Installing the mower blade

To install the mower blade, take the removal procedure in reverse.

⚠ WARNING: Install the mower blade carefully. It has a top/bottom facing. Place the blade so that the rotational direction arrow faces outward.

⚠ WARNING: Tighten the bolt clockwise firmly to secure the blade.

⚠ WARNING: Make sure that the mower blade and all the fixing parts are installed correctly and tightened securely.

⚠ WARNING: When you replace the blades, always follow the instructions provided in this manual.

TROUBLESHOOTING

Before asking for repairs, conduct your own inspection first. If you find a problem that is not explained in the manual, do not attempt to dismantle the tool. Instead, ask Makita Authorized Service Centers, always using Makita replacement parts for repairs.

State of abnormality	Probable cause (malfunction)	Remedy
Mower does not start.	Two battery cartridges are not installed.	Install the charged battery cartridges.
	Battery problem (under voltage)	Recharge the battery cartridge. If recharging is not effective, replace battery cartridge.
	The lock key is not inserted.	Insert the lock key.
Motor stops running after a little use.	Battery's charge level is low.	Recharge the battery cartridge. If recharging is not effective, replace battery cartridge.
	Cutting height is too low.	Increase the cutting height.
Motor does not reach maximum RPM.	Battery cartridge is installed improperly.	Install the battery cartridge as described in this manual.
	Battery power is dropping.	Recharge the battery cartridge. If recharging is not effective, replace battery cartridge.
	The drive system does not work correctly.	Ask your local authorized service center for repair.
Mower blade does not rotate: ⇒ stop the mower immediately!	Foreign object such as a branch is jammed near the blade.	Remove the foreign object.
	The drive system does not work correctly.	Ask your local authorized service center for repair.
Abnormal vibration: ⇒ stop the mower immediately!	Blade is imbalanced, excessively or unevenly worn.	Replace the blade.

OPTIONAL ACCESSORIES

⚠ CAUTION: These accessories or attachments are recommended for use with your Makita tool specified in this manual. The use of any other accessories or attachments might present a risk of injury to persons. Only use accessory or attachment for its stated purpose.

If you need any assistance for more details regarding these accessories, ask your local Makita Service Center.

- Mower blade
- Mulching plug
- Makita genuine battery and charger

NOTE: Some items in the list may be included in the tool package as standard accessories. They may differ from country to country.

SPECIFIKATIONER

Modell:		DLM382	DLM432
Klippbredd (knivdiameter)		380 mm	430 mm
Hastighet utan belastning		3 700 min ⁻¹	3 600 min ⁻¹
Artikelnummer för byte av gräsklipparkniv		191D41-2	191D43-8
Dimensioner (L x B x H)	vid användning	L: 1 380 mm till 1 410 mm B: 450 mm H: 985 mm till 1 005 mm	L: 1 435 mm till 1 490 mm B: 460 mm H: 1 005 mm till 1 045 mm
	vid förvaring (utan gräsupsamlare)	860 mm x 450 mm x 475 mm	865 mm x 460 mm x 475 mm
Märkspänning		36 V likström	
Nettovikt		15,5 - 16,5 kg	16,0 - 16,9 kg

- På grund av vårt pågående program för forskning och utveckling kan dessa specifikationer ändras utan föregående meddelande.
- Specifikationer kan variera mellan olika länder.
- Vikten kan variera beroende på tillbehören, inklusive batterikassett. Den lättaste och den tyngsta kombinationen enligt EPTA-procedur 01/2014 visas i tabellen.

Tillgänglig batterikassett och laddare

Batterikassett	BL1830B / BL1840B / BL1850B / BL1860B
Laddare	DC18RC / DC18RD / DC18RE / DC18SD / DC18SE / DC18SF / DC18SH / DC18WC








- Vissa av batterikassetterna och laddarna på listan ovan kanske inte finns tillgängliga i din region.

⚠ VARNING: Använd endast batterikassetter och laddare från listan ovan. Användning av andra batterikassetter och laddare kan orsaka personskada och/eller brand.

⚠ VARNING: Använd inte en strömförsörjning med sladd, som en batteriadapter eller bärbart strömpaket, med denna maskin. Kabeln till sådan anordning kan hindra användningen och leda till personskada.

Symboler

Följande visar symbolerna som kan användas för utrustningen. Se till att du förstår innebörden innan användning.

	Var extra försiktig och uppmärksam.
	Läs igenom bruksanvisningen.
	Fara! Se upp för flygande föremål.
	Avståndet mellan maskinen och åskådare måste vara minst 15 m.
	Placera aldrig dina händer eller fötter nära gräsklipparkniven under gräsklipparen. Gräsklipparknivarna fortsätter att rotera efter det att motorn stängts av.
	Ta ut säkerhetsnyckeln före kontroll, justering, rengöring, service, förvaring eller om gräsklipparen lämnas obevakad.
	Varning: Koppla från batteriet före underhåll.



Garanterad ljudeffektnivå enligt EU-direktivet för utomhusbuller.



Ljudeffektnivå enligt Australia NSW Noise Control Regulation (Bullerreglering)



Gäller endast inom EU
P.g.a. förekomsten av farliga komponenter i utrustningen kan avfall innehållande elektrisk och elektronisk utrustning, ackumulatörer och batterier ha negativ inverkan på miljön och människors hälsa. Kassera inte elektriska och elektroniska apparater eller batterier ihop med hushållsavfall!
I enlighet med EU-direktiven om avfall som utgörs av eller innehåller elektrisk och elektronisk utrustning och om batterier och ackumulatörer och förbrukade batterier och ackumulatörer, och dess införlivande i nationell lagstiftning, bör förbrukad elektrisk och elektronisk utrustning, batterier och ackumulatörer förvaras separat och transporteras till en särskild uppsamlingsplats för kommunalt avfall, som drivs i enlighet med regelverket för miljöskydd. Detta anges av symbolen med den överkryssade soptunnan på hjul som sitter på utrustningen.

Avsedd användning

Maskinen är avsedd för gräsklippning.

Buller

Den normala bullernivån för A-belastning är bestämd enligt EN IEC 62841-4-3:

Modell	Uppmätt ljudeffektnivå (L_{WA}): (dB(A))	Garanterad ljudeffektnivå (L_{WA}): (dB(A))
DLM382	91	94
DLM432	92	95

Modell	Ljudtrycksnivå (L_{pA}): (dB(A))	Måttolerans för ljudtrycksnivå (K): (dB(A))
DLM382	81	3
DLM432	81	3

OBS: Det deklarerade bullervärdet har uppmätts i enlighet med standardtestmetoden och kan användas för jämförandet av en maskin med en annan.

OBS: Det deklarerade bulleremissionsvärdet kan också användas i en preliminär bedömning av exponering för vibration.

⚠ VARNING: Använd hörselskydd.

⚠ VARNING: Bulleremissionen under faktisk användning av maskinen kan skilja sig från det deklarerade värdet, beroende på hur maskinen används och särskilt vilken typ av arbetsstycke som behandlas.

⚠ VARNING: Var noga med att identifiera säkerhetsåtgärder för att skydda användaren, vilka är grundade på en uppskattning av graden av exponering för vibrationer under de faktiska användningsförhållandena, (ta, förutom avtryckartiden, med alla delar av användarcykeln i beräkningen, som till exempel tiden då maskinen är avstängd och när den går på tomgång).

Vibration

Det totala vibrationsvärdet (treaxlad vektorsumma) bestämt enligt EN IEC 62841-4-3:

Modell DLM382

Vibrationsemission (a_h): 2,5 m/s² eller lägre
Måttolerans (K): 2,0 m/s²

Modell DLM432

Vibrationsemission (a_h): 2,5 m/s² eller lägre
Måttolerans (K): 1,5 m/s²

OBS: Det deklarerade totala vibrationsvärdet har uppmätts i enlighet med standardtestmetoden och kan användas för jämförandet av en maskin med en annan.

OBS: Det deklarerade totala vibrationsvärdet kan också användas i en preliminär bedömning av exponering för vibration.

⚠ VARNING: Vibrationsemissionen under faktisk användning av maskinen kan skilja sig från det deklarerade värdet, beroende på hur maskinen används och särskilt vilken typ av arbetsstycke som behandlas.

⚠ VARNING: Var noga med att identifiera säkerhetsåtgärder för att skydda användaren, vilka är grundade på en uppskattning av graden av exponering för vibrationer under de faktiska användningsförhållandena, (ta, förutom avtryckartiden, med alla delar av användarcykeln i beräkningen, som till exempel tiden då maskinen är avstängd och när den går på tomgång).

Försäkran om överensstämmelse

Gäller endast inom EU

Försäkran om överensstämmelse ingår i bilaga A till denna bruksanvisning.

SÄKERHETSVARNINGAR

Allmänna säkerhetsvarningar för maskiner

⚠ VARNING Läs alla säkerhetsvarningar, instruktioner, illustrationer och specifikationer som medföljer detta elverktyg. Underlåtenhet att följa alla instruktioner nedan kan leda till elstötar, brand och/eller allvarliga personskador.

Spara alla varningar och instruktioner för framtida referens.

Termen "maskin" som anges i varningarna hänvisar till din eldrivna maskin (sladdansluten) eller batteridrivna maskin (sladdlös).

Säkerhetsvarningar för batteridrivna gräsklippare

1. Använd inte gräsklipparen vid dåliga väderförhållanden, speciellt inte vid risk för åska. Då minskar risken att bli träffad av blixten.
2. Kontrollera noggrant området för vilda djur inför användandet av gräsklipparen. Vilda djur kan skadas av gräsklipparen under användning.
3. Kontrollera noggrant området där gräsklipparen ska användas och rensa bort alla stenar, grenar, sladdar, ben och andra främmande föremål. Kastade föremål kan leda till personskador.
4. Inför användandet av gräsklipparen ska bladet och bladmonteringen kontrolleras för slitage och skador. Slitna eller skadade delar ökar risken för skador.
5. Kontrollera regelbundet gräsfångaren efter slitage eller försämring. En slitna eller skadad gräsfångare kan öka risken för personskador.

6. **Se till att skydden sitter på plats. Skydden måste vara i fungerande skick och monterade på rätt sätt.** Skydd som sitter löst, är skadade eller inte fungerar på rätt sätt kan leda till personskador.
7. **Håll alla kylluftinlopp fria från skräp.** Blockerade luftinlopp och skräp kan resultera i överhettning eller brandrisk.
8. **Bär alltid halkfria skyddsskor när du använder gräsklipparen. Använd inte gräsklipparen barfota eller med öppna skor.** Detta minskar chansen för fotskador via kontakt med det roterande bladet.
9. **Bär alltid långbyxor när du använder gräsklipparen.** Exponerad hud ökar risken för skador från kastade objekt.
10. **Använd inte gräsklipparen i vått gräs. Gå, spring aldrig.** Detta minskar risken att halka och ramla, vilket kan leda till personskada.
11. **Använd inte gräsklipparen i mycket branta sluttningar.** Detta minskar risken att tappa kontrollen, halka och ramla, vilket kan leda till personskada.
12. **Vid arbeten i sluttningar, se alltid till att stå stadigt, alltid arbeta tvärs med sluttning, aldrig upp/ner, och utöva extrem försiktighet vid riktningsbyte.** Detta minskar risken att tappa kontrollen, halka och ramla, vilket kan leda till personskada.
13. **Var mycket försiktig när du vänder gräsklipparen eller drar den mot dig. Var alltid uppmärksam om din omgivning.** Detta minskar risken för att snubbla vid användning.
14. **Rör inte blad eller andra farliga rörliga delar medan de fortfarande är i rörelse.** Detta minskar risken för skador från rörliga delar.
15. **När du tar bort material som fastnat eller rengör gräsklipparen, se då till att alla strömbrytare är avstängda och att batteripaketet är fränkopplat.** Övontad användning av gräsklipparen kan leda till allvarlig personskada.

Ytterligare säkerhetsvarningar

Utbildning

1. **Läs anvisningarna noggrant. Var förtrogen med styrreglagen och korrekt användning av gräsklipparen.**
2. **Låt aldrig gräsklipparen användas av barn eller av personer som inte känner till dessa anvisningar. Lokala bestämmelser kan ange en åldersgräns för användaren.**
3. **Använd aldrig gräsklipparen när personer (särskilt barn) eller djur finns i närheten.**
4. **Glöm inte att användaren är ansvarig för olyckor eller eventuell fara gentemot andra personer och deras egendom.**

Förberedelse

1. **Kontrollera att det inte finns några personer i området före gräsklippningen. Stäng av gräsklipparen om någon närmar sig.**
2. **Sätt inte i säkerhetsnyckeln i gräsklipparen förrän den är klar att användas.**
3. **Se upp för hål, rötter, knölar, stenar eller andra dolda föremål. Ojämn terräng kan vara en halkrisk. Högt gräs kan dölja föremål.**
4. **Sätt inte i eller ta ut säkerhetsnyckeln i regn.**

Användning

1. **Stoppa gräsklipparen och ta ut säkerhetsnyckeln och se till att alla rörliga delar har stannat helt**
 - när du lämnar gräsklipparen;
 - innan du tar bort något som fastnat eller rensar utkastningsrännan;
 - före kontroll, rengöring eller arbete på gräsklipparen.
2. **Följ dessa steg om gräsklipparen slår emot ett främmande föremål:**
 - Stoppa gräsklipparen, släpp säkerhetsgreppet och vänta tills kniven stannat helt.
 - Ta ut säkerhetsnyckeln och batterikassetten.
 - Kontrollera gräsklipparen grundligt så att inte några skador har uppstått.
 - Byt ut kniven om den på något sätt är skadad. Reparera eventuell skada innan du startar om och fortsätter använda gräsklipparen.
3. **Om gräsklipparen börjar vibrera på onormalt sätt eller du lägger märke till något onormalt, följ omedelbart dessa steg:**
 - Stoppa gräsklipparen, släpp säkerhetsgreppet och vänta tills kniven stannat helt.
 - Ta ut säkerhetsnyckeln och batterikassetten.
 - Inspektera efter skada och byt ut eller reparera alla skadade delar.
 - Kontrollera om det finns lösa delar och dra åt dem.
4. **Använd aldrig gräsklipparen med skadade skydd eller utan säkerhetsutrustning, t. ex. stenskydd och/eller gräsuppsamlare, på plats.**
5. **Använd endast gräsklipparen i dagsljus eller i god belysning.**
6. **Starta gräsklipparen omsorgsfullt enligt anvisningarna och med fötterna på säkert avstånd från knivarna.**
7. **Var försiktig så att du inte skadar händer och fötter på gräsklipparkniven.**
8. **Stoppa knivarna om gräsklipparen måste lutas för att transporteras över gräsfria ytor och när maskinen transporteras till och från området som ska klippas.**
9. **Luta inte gräsklipparen när du startar motorn, såvida den inte måste lutas för att startas. I så fall ska den inte lutas mer än vad som är absolut nödvändigt och lyft endast den delen som är längst bort från användaren. Se alltid till att båda händerna är i arbetsläge innan du ställer ner gräsklipparen på marken.**
10. **Placera inte händer och fötter i närheten av eller under roterande delar. Stå alltid långt ifrån utkastöppningen.**
11. **Håll alltid stadigt i handtaget.**
12. **Greppa inte de oskyddade knivbladen eller kniveggarna när du tar upp eller håller i gräsklipparen.**
13. **Håll händer och fötter borta från rörliga knivar. Försiktighet – Knivarna stannar inte omedelbart när gräsklipparen stängs av.**
14. **Försök aldrig göra justeringar av klipphöjden medan gräsklipparen är igång, om den har funktionen klipphöjdsinställning.**

15. Släpp säkerhetsgreppet och vänta tills kniven har stannat innan du korsar en uppfart, gångväg, väg eller annat grustäckt område. Ta också ut säkerhetsnyckeln om du lämnar gräsklipparen, sträcker dig för att plocka upp eller ta bort något som ligger i vägen, eller om du på något annat sätt distraheras från arbetet.
16. Starta inte gräsklipparen när du står framför utkastöppningen.
17. Rikta aldrig utloppsmaterial mot någon. Undvik att rikta utloppsmaterial mot en vägg eller hinder. Material kan studsas tillbaka på användaren. Stanna bladet när du korsar grusvägar.
18. Dra inte gräsklipparen baklänges såvida det inte är absolut nödvändigt. När du är tvingar att backa gräsklipparen från ett staket eller liknande hinder måste du titta ner och bakom dig innan och medan du backar.
19. Stäng av motorn och vänta tills bladen har stannat innan du tar bort gräsupsamlaren. Tänk på att klingan inte stannar omedelbart när maskinen stängs av.
20. Var uppmärksam på var du har fötterna när du använder maskinen på lerig mark, i våta sluttningar eller hala ställen.
21. Undvik att arbeta i dåliga miljöer där utökad trötthet kan förväntas.
22. Använd inte maskinen under dåliga väderförhållanden där sikten är begränsad. Att inte följa detta kan leda till fall eller felaktig funktion p.g.a. dålig sikt.
23. Låt inte maskinen åka ner i någon pöl.
24. När våta löv eller smuts fastnar på sugöppningen (ventilationsfönstret) på grund av regnet, ska det tas bort.
25. Använd inte maskinen i snö.
26. Om det avklibbta gräset är vått är det troligt att det fastnar inuti maskinen. Kontrollera regelbundet maskinens skick och ta bort gräs som fastnat där det behövs.
27. Var uppmärksam på rör och kablar när maskinen används.

Underhåll och förvaring

1. Inspektera och underhåll gräsklipparen regelbundet.
2. Se till att alla muttrar, bultar och skruvar är åtdragna för att alltid bibehålla utrustningen i säkert arbetsskick.
3. Kontrollera gräsupsamlaren regelbundet efter slitage eller försämring. Se alltid till att gräsupsamlaren är tom när maskinen förvaras. Byt ut gräsupsamlaren om den är sliten mot en ny från fabriken för säker användning.
4. Använd endast tillverkarens originalknivar som specificerats i denna bruksanvisning.
5. Var försiktig vid justering av gräsklipparen för att undvika att fastna med fingrarna mellan knivar i rörelse och fasta maskindelar.
6. Kontrollera knivens monteringsbult regelbundet så att den är ordentligt åtdragen.
7. Låt alltid gräsklipparen svalna innan du ställer in den för förvaring.

8. Vid underhåll av knivarna bör du vara uppmärksam på att de fortfarande kan snurra även om strömkällan är avstängd.
9. Ta aldrig bort eller mixtra med säkerhetsanordningar. Kontrollera regelbundet korrekt funktion. Gör aldrig något som stör säkerhetsanordningarnas avsedda funktion eller minskar det skydd som säkerhetsanordningarna ger.
10. Lämna inte maskinen obebakad utomhus i regn.
11. Tvätta inte av maskinen med hötrycksvattenstråle.
12. När du tvättar maskinen, se då till att ta bort batteriet och säkerhetsnyckeln och stäng batterikåpan, och håll vatten mot botten av maskinen som kniven sitter fast på.
13. När maskinen tas i förvar, undvik då direkt solljus och regn, och förvara den på en plats där det inte blir varmt eller fuktigt.
14. Utför inspektion eller underhåll någonstans där regn kan undvikas.
15. Ta efter användning bort smuts och torka maskinen fullständigt innan lagring. Beroende på årstid eller område finns det risk för funktionsfel p.g.a. frystemperatur.

El- och batterisäkerhet

1. Öppna inte eller förstör batteriet/batterierna. Elektrolyt som kommer ut är frätande och kan ge ögon- eller hudskador. Det kan vara giftigt vid förtäring.
2. Ladda inte batteriet i regn eller i fuktiga eller våta utrymmen.
3. Ladda inte batteriet utomhus.
4. Hantera inte laddaren, däribland laddarstickprop- per, och laddarens kopplingar med våta händer.
5. Byt inte ut batteriet i regn.
6. Låt inte batteripolen bli blöt av vätska som t.ex. vatten, och ha inte batteriet i vätska. Batteriet får inte lämnas i regn, och inte heller laddas, användas eller lagras på ett fuktigt eller vått ställe. Om polen blir våt eller vätska kommer in i batteriet, kan det kortslutas och det finns risk för överhettning, brand eller explosion.
7. När batteriet tagits bort från maskinen eller laddaren ska du se till att fästa batterikåpan vid batteriet och förvara det torrt.
8. Byt inte ut batteriet med våta händer.
9. Undvik farliga miljöer. Använd inte maskinen på fuktiga eller blöta områden och utsätt den inte för regn. Vatten som kommer in i maskinen ökar risken för elektrisk stöt.
10. Om batterikassetten blir våt, töm ut vattnet inuti den och torka sedan av den med en torr trasa. Torka batterikassetten helt och hållet på en torr plats före användning.

SPARA DESSA ANVISNINGAR.

⚠️ VARNING: GLÖM INTE att också fortsättningsvis strikt följa säkerhetsanvisningarna för maskinen även efter att du blivit van att använda den. Vid FELAKTIG HANTERING av maskinen eller om inte säkerhetsanvisningarna i denna bruksanvisning följs kan följden bli allvariga personskador.

Viktiga säkerhetsanvisningar för batterikassetten

1. Innan batterikassetten används ska alla instruktioner och varningsmärken på (1) batteriladdaren, (2) batteriet och (3) produkten läsas.
2. **Montera inte isär eller mixtra med batterikassetten.** Det kan leda till brand, överdriven värme eller explosion.
3. **Om drifttiden blivit avsevärt kortare ska användningen avbrytas omedelbart.** Det kan uppstå överhettning, brännskador och t o m en explosion.
4. **Om du får elektrolyt i ögonen ska de sköljas med rent vatten och läkare uppsöks omedelbart.** Det finns risk för att synen förloras.
5. **Kortslut inte batterikassetten.**
 - (1) Rör inte vid polerna med något strömförande material.
 - (2) **Undvik att förvara batterikassetten tillsammans med andra metallobjekt som t.ex. spikar, mynt o.s.v.**
 - (3) **Skydda batteriet mot vatten och regn.** En batterikortslutning kan orsaka ett stort strömlöflöde, överhettning, brand och maskinhaveri.
6. **Förvara och använd inte verktyget och batterikassetten på platser där temperaturen kan nå eller överstiga 50 °C.**
7. **Bränn inte upp batterikassetten även om den är svårt skadad eller helt utsliten.** Batterikassetten kan explodera i öppen eld.
8. **Spika inte i, krossa, kasta, tappa eller slå batterikassetten mot hårda föremål.** Dylåka händelser kan leda till brand, överdriven värme eller explosion.
9. **Använd inte ett skadat batteri.**
10. **De medföljande litiumjonbatterierna är föremål för kraven i gällande lagstiftning för farligt gods.** För kommersiella transporter (av t.ex. tredje parter som speditönsfirmor) måste de särskilda transportkrav som anges på emballaget och etiketter iakttas. För att förbereda den produkt som ska avsändas kråvs att du konsulterar en expert på riskmaterial. Var också uppmärksam på att det i ditt land kan finnas ytterligare föreskrifter att följa. Tejpa över eller maskera blottade kontakter och packa batteriet på sådant sätt att det inte kan röra sig fritt i förpackningen.
11. **När batterikassetten ska kasseras måste den tas bort från maskinen och kasseras på ett säkert sätt.** Följ lokala föreskrifter beträffande avfallshantering av batterier.
12. **Använd endast batterierna med de produkter som specificerats av Makita.** Att använda batterierna med ej godkända produkter kan leda till brand, överdriven värme, explosion eller utläckande elektrolyt.
13. **Om maskinen inte används under en lång tid måste batteriet tas bort från maskinen.**
14. **Under och efter användning kan batterikassetten bli het vilket kan orsaka brännskador eller lättare brännskador.** Var uppmärksam på hur du hanterar varma batterikassetter.

15. **Vidrör inte verktygets kontakter direkt efter användning eftersom de kan bli heta och orsaka brännskador.**
16. **Låt inte flisor, damm eller smuts fastna i kontakterna, i hål eller spår i batterikassetten.** Det kan leda till att verktyget eller batterikassetten värms upp, fattar eld, går sönder eller inte fungerar som de ska, vilket kan orsaka brännskador eller personskador.
17. **Såvida inte verktyget stöder arbeten i närheten av högspänningsledningar får batterikassetten inte användas i närheten av en högspänningsledning.** Det kan leda till att verktyget eller batterikassetten går sönder eller inte fungerar korrekt.
18. **Förvara batteriet utom räckhåll för barn.**

SPARA DESSA ANVISNINGAR.

⚠FÖRSIKTIGT: Använda endast äkta Makita-batterier. Användning av oäkta Makita-batterier eller batterier som har manipulerats kan leda till person- och utrustningsskador eller till att batteriet fattar eld. Det upphåver också Makitas garanti för verktyget och laddaren.

Tips för att uppnå batteriets maximala livslängd

1. **Ladda batterikassetten innan den är helt urladdad. Stanna alltid maskinen och ladda batterikassetten när du märker att maskinen blir svagare.**
2. **Ladda aldrig en fulladdad batterikasset. Överladdning förkortar batteriets livslängd.**
3. **Ladda batterikassetten vid en rumstemperatur på 10 °C - 40 °C. Låt en varm batterikasset svalna innan den laddas.**
4. **När batterikassetten inte används ska den tas bort från verktyget eller laddaren.**
5. **Ladda batterikassetten om du inte har använt den på länge (mer än sex månader).**

MONTERING

⚠VARNING: Se alltid till att ta ut säkerhetsnyckeln och batterikassetten innan du utför något arbete på gråsklipparen. Underlåtelse att ta ut säkerhetsnyckeln och batterikassetten kan leda till allvarlig personskada på grund av oavsiktlig start.

⚠VARNING: Starta aldrig gråsklipparen om den inte är komplett monterad. Användning av en delvis monterad gråsklippare kan leda till allvarlig personskada på grund av oavsiktlig start.

Montera batterikåpan

⚠VARNING: Sätt inte i säkerhetsnyckeln och batterikassetten innan du monterat batterikåpan. Om du gör detta kan det orsaka allvarlig personskada.

Montera batterikåpan helt innan användning. Batterikåpan skyddar gräsklipparen och batterikassetten från lera, smuts och vatten.

1. Placera batterikåpan med gräsklipparens utsprång i linje med batterikåpanns hål.

► **Fig.1:** 1. Utsprång 2. Hål 3. Batterikåpa

2. Placera händerna mitt på batterikåpan och tryck på den.

► **Fig.2**

3. Innan du använder maskinen för första gången ska du kontrollera att batterikåpanns vridpunkter är rätt monterade. Om batterikåpan har monterats korrekt öppnas den inte förrän dess låsreglage dras.

► **Fig.3:** 1. Vridpunkt 2. Batterikåpanns låsreglage

Montera handtaget

OBSERVERA: Vid montering av handtagen ska kablarna placeras så att de inte fångas in av någonting mellan handtagen. Om kablarna är skadade kanske inte gräsklipparens startknapp fungerar.

1. Skjut in båda ändarna av det nedre handtaget i gräsklipparens spår och dra sedan åt låsskruvarna.

► **Fig.4:** 1. Låsskruv 2. Nedre handtaget

2. Rikta in det övre handtags skruvhål med hålen i det nedre handtaget. Säkra dem med låsskruvarna och spännmuttrarna.

► **Fig.5:** 1. Spännmutter 2. Låsskruv

OBS: Håll det övre handtaget i ett fast grepp så att det inte glider ur handen.

3. Fäst hållarna till handtaget. Placera strömkabeln enligt figuren.

► **Fig.6:** 1. Hållare

Ta bort mulchingpluggen

Extra tillbehör

1. Öppna den bakre luckan.

► **Fig.7:** 1. Bakre hölje

2. Håll mulchingpluggen i handtaget och dra ut den från gräsklipparen enligt bilden.

► **Fig.8:** 1. Mulchingplugg 2. Handtag

Montera gräsupsamlare

1. Öppna den bakre luckan.

► **Fig.9:** 1. Bakre hölje

2. Haka fast gräsupsamlaren på stängens på gräsklipparen enligt figuren.

► **Fig.10:** 1. Krok 2. Stång 3. Gräsupsamlare

Montera mulchingpluggen

Extra tillbehör

1. Öppna den bakre luckan och ta sedan bort gräsupsamlaren.

► **Fig.11:** 1. Bakre hölje 2. Gräsupsamlare

2. Håll mulchingpluggen i handtaget och fäst den på gräsklipparen enligt bilden.

► **Fig.12:** 1. Mulchingplugg 2. Handtag

FUNKTIONSBESKRIVNING

Montera eller demontera batterikassetten

⚠FÖRSIKTIGT: Stäng alltid av maskinen innan du monterar eller tar bort batterikassetten.

⚠FÖRSIKTIGT: Se till att du läser batterikåpan före användning. I annat fall kan lera, smuts eller vatten orsaka skada på produkten eller batterikassetten.

⚠FÖRSIKTIGT: För alltid in batterikassetten helt tills den röda indikatorn inte längre syns. I annat fall kan den plötsligt lossna från maskinen och skada dig eller någon annan.

⚠FÖRSIKTIGT: Montera inte batterikassetten med våld. Om kassetten inte lätt glider på plats är den felaktigt insatt.

OBS: Maskinen fungerar inte med endast en batterikasset.

För att montera batterikassetten.

1. Skjut på batterikåpanns låsreglage och öppna batterikåpan.

► **Fig.13:** 1. Batterikåpa 2. Batterikåpanns låsreglage

2. Rikta in batterikassetten tunga mot öppningen på gräsklipparen. Skjut sedan in kassetten tills den låser fast med ett litet klick.

► **Fig.14:** 1. Batterikasset

3. Sätt i säkerhetsnyckeln på platsen som visas i figuren, så långt det går.

► **Fig.15:** 1. Säkerhetsnyckel

4. Stäng batterikåpan och tryck på den tills den sitter fast med låsreglaget.

Ta bort batterikassetten från gräsklipparen;

1. Skjut på batterikåpanns låsreglage och öppna batterikåpan.

2. Dra ur batterikassetten från gräsklipparen samtidigt som du skjuter på knappen på kassetten framsida.

3. Dra ut säkerhetsnyckeln.

4. Stäng batterikåpan.

Skyddssystem för maskinen/ batteriet

Maskinen är utrustad med ett batteriskyddssystem. Detta system bryter automatiskt strömmen till motorn för att förlänga verktygets och batteriets livslängd. Maskinen stannar automatiskt under användningen om maskinen eller batteriet hamnar i en av följande.

Överbelastningsskydd

Om maskinen används på ett sätt som gör att den drar onormalt mycket ström kan den stoppas automatiskt utan någon varning. När detta sker stänger du av maskinen och upphör med arbetet som gjorde att den överbelastades. Starta därefter upp maskinen igen.

Överhettningsskydd

När maskinen överhettas stoppar den automatiskt. Låt maskinen svalna innan du startar den igen.

Överurladdningsskydd

När batterikapaciteten är låg stoppar maskinen automatiskt. Om produkten inte fungerar trots att knapparna fungerar som de ska tar du bort batterierna från maskinen och laddar dem.

Indikerar kvarvarande batterikapacitet

► Fig.16: 1. Batteriindikator

När återstående batterikapacitet blir låg blinkar batteriindikatorn på den aktuella batterisidan. Vid ytterligare användning stoppar maskinen och batteriindikatorn tänds. Ladda batterikassetten om detta inträffar.

Indikerar kvarvarande batterikapacitet

Endast för batterikassetter med indikator

Tryck på kontrollknappen på batterikassetten för att se kvarvarande batterikapacitet. Indikatorlamporna lyser i ett par sekunder.

► Fig.17: 1. Indikatorlampor 2. Kontrollknapp

Indikatorlampor			Kvarvarande kapacitet
Upplyst	Av	Blinkar	
■	□	◻	
■ ■ ■ ■			75% till 100%
■ ■ ■ □			50% till 75%
■ ■ □ □			25% till 50%
■ □ □ □			0% till 25%
◻ □ □ □			Ladda batteriet.
■ ■ □ □			Batteriet kan ha skadats.
□ □ ■ ■			

OBS: Beroende på användningsförhållanden och den omgivande temperaturen kan indikationen skilja sig lätt från den faktiska batterikapaciteten.

OBS: Den första (längst till vänster) indikatorlampan kommer att blinka när batteriskyddssystemet fungerar.

Avtryckarens funktion

⚠ VARNING: Innan du monterar batterikassetten ska du alltid kontrollera att säkerhetsgreppet fungerar korrekt och går tillbaka till ursprungsläget när det släpps. Att använda en maskin med ett felaktigt säkerhetsgrepp kan leda till förlorad kontroll och allvarlig personskada.

OBS: Gräsklipparen startar inte utan att startknappen trycks in även om du drar in säkerhetsgreppet.

OBS: Det kan hända att gräsklipparen inte startar på grund av överbelastning när du försöker klippa långt eller tätt gräs. Öka i sådant fall klipphöjden.

Denna gräsklippare är utrustad med en spärrbrytare och handtagsbrytare. Om du lägger märke till något onormalt med någon av dessa brytare ska du genast sluta använda maskinen och låta ditt närmaste auktoriserade servicecenter för Makita kontrollera dem.

1. Sätt i batterikassetten. Sätt i säkerhetsnyckeln i spärrbrytaren och stäng batterikåpan.

► Fig.18: 1. Batterikasset 2. Säkerhetsnyckel

2. Tryck in och håll inne startknappen.

3. Greppa tag i det övre handtaget och dra i säkerhetsgreppet.

► Fig.19: 1. Startknapp 2. Säkerhetsgrepp

4. Släpp startknappen så fort motorn startar.

Gräsklipparen kommer fortsätta att gå tills du släpper säkerhetsgreppet.

5. Släpp säkerhetsgreppet för att stanna motorn.

Justering av klipphöjden

⚠ VARNING: Placera aldrig handen eller foten under gräsklipparen när du justerar klipphöjden.

⚠ VARNING: Kontrollera alltid att spaken sitter ordentligt i spåret före användning.

Klipphöjden kan justeras mellan 20 mm och 75 mm.

1. Ta ut säkerhetsnyckeln.

2. Dra justeringsspaken för klipphöjd ut från gräsklipparen och flytta den till önskad klipphöjd.

► Fig.20: 1. Justeringsspak för klipphöjd

OBS: Klipphöjdssiffrorna bör endast användas som en riktlinje. Beroende på gräsmattans eller underlagets förhållanden kan den verkliga klipphöjden skilja sig något från den inställda höjden.

OBS: Gör en testklippning i ett mindre synligt område för att få önskad höjd.

Indikator för gräsnivå

► Fig.21: 1. Indikator för gräsnivå

Indikatorn för gräsnivå visar mängden gräs som har klippts.

- Om gräsupsamlaren inte är full flyter indikatorn under klippningen.
- Om gräsupsamlaren är full flyter inte indikatorn under klippningen. Om detta är fallet stoppar du omedelbart klippningen och tömmer uppsamlaren. När du har tömt uppsamlaren rengör du den så att dess galler nät släpper igenom luft.

OBS: Denna indikator ger en grov uppskattning. Beroende på förhållandena inuti uppsamlaren fungerar eventuellt inte denna indikator på rätt sätt.

Använda mulchingpluggen

Extra tillbehör

Med mulchingpluggen kan du lämna det klippta gräset på marken utan att samla upp gräset i gräsupsamlaren. När du använder maskinen med mulchingpluggen måste du se till att ta bort gräsupsamlaren.

OBSERVERA: När maskinen används med mulchingpluggen måste du se till att gräsets totala längd efter klippning är 30 mm eller mer, och att den kapade längden är 15 mm eller mindre.

► Fig.22: (1) 30 mm eller mer (2) 15 mm eller mindre

ANVÄNDNING

Gräsklippning

⚠ VARNING: Före gräsklippningen ska alla pinnar och stenar i klippområdet tas bort. Ta också bort ogräs i förväg.

⚠ VARNING: Bär alltid korgglasögon eller skyddsglasögon med sidoskydd när du använder gräsklipparen.

⚠ FÖRSIKTIGT: Om avklippt gräs eller främmande föremål täpper till inuti gräsklipparen, se då till att ta bort säkerhetsnyckeln och batterikassetten och ha handskar på innan du tar bort gräset eller det främmande föremålet.

OBSERVERA: Använd endast denna maskin för att klippa gräsmattor. Klipp inte ogräs med denna maskin.

► Fig.23

Håll stadigt i handtaget med båda händerna vid gräsklippningen.

Riktlinjen för gräsklippning är ca 1 meter för var 4:e sekund.

► Fig.24

Framhjulens ytterkanter är klippbreddens riktlinje. Använd framhjulens ytterkanter som riktlinje och klipp i rader. Överlappa med en halv till en tredjedel på tidigare rad för att klippa gräsmattan jämnt.

► Fig.25: 1. Klippbredd 2. Överlappande område 3. Yttersida

Ändra klippriktning varje gång för att förhindra mönster i gräsmattan i bara en riktning.

► Fig.26

Kontrollera då och då att gräsupsamlaren inte är full. Töm gräsupsamlaren innan den är full. Före varje regelbunden kontroll ska gräsklipparen stängas av och säkerhetsnyckeln och batterikassetten tas ut.

OBSERVERA: Användning av gräsklipparen med en full gräsupsamlare förhindrar smidig knivrotation och lägger en extra belastning på motorn, vilket kan orsaka motorstopp.

Klippning av högt gräs

Försök inte att klippa högt gräs på en och samma gång. Istället klipper du gräsmattan i omgångar. Klipp med en eller två dagars mellanrum tills gräsmattan är jämnt klippt.

OBS: Att klippa högt gräs kort på en och samma gång kan leda till att gräset dör. Det klippta gräset kan också täppa igen undersidan av gräsklipparen.

Tömma gräsupsamlaren

⚠ VARNING: För att undvika risken för olyckor ska gräsupsamlaren kontrolleras regelbundet så att skada eller försvagning inte har uppstått. Byt ut gräsupsamlaren om så krävs.

1. Släpp säkerhetsgreppet.
 2. Ta ut säkerhetsnyckeln.
 3. Öppna det bakre höljet och ta ut gräsupsamlaren med hjälp av handtaget.
- Fig.27: 1. Bakre hölje 2. Handtag
4. Töm gräsupsamlaren.

UNDERHÅLL

⚠ VARNING: Se alltid till att säkerhetsnyckeln och batterikassetten tas ut från gräsklipparen innan du tar den i förvar, bär den eller försöker utföra kontroll eller underhåll på den.

⚠ VARNING: Ta alltid ut säkerhetsnyckeln när gräsklipparen inte används. Förvara säkerhetsnyckeln på en säker plats utom räckhåll för barn.

⚠ VARNING: Bär handskar vid kontroll eller underhåll.

⚠ VARNING: Bär alltid korgglasögon eller skyddsglasögon med sidoskydd när du utför kontroll eller underhåll.

OBSERVERA: Använd inte bensen, förtunningsmedel, alkohol eller liknande. Missfärgning, deformation eller sprickor kan uppstå.

För att upprätthålla produktens SÄKERHET och TILLFÖRLITLIGHET bör allt underhålls- och justeringsarbete utföras av ett auktoriserat Makita servicecenter och med reservdelar från Makita.

Underhåll

1. Ta ut säkerhetsnyckeln. Förvara den på en säker plats utom räckhåll för barn.
2. Rengör gräsklipparen med en våt trasa. Spruta eller håll inte vatten på gräsklipparen vid rengöring.
3. Placera gräsklipparen på sidan och ta bort avklippt gräs som har samlats på undersidan av gräsdäcket.
4. Kontrollera åtdragningen av alla muttrar, bultar, vred, skruvar, fästanelordningar osv.
5. Kontrollera om klippdelar är skadade, trasiga eller utslitna. Skadade eller saknade delar bör repareras eller bytas ut.

Förvaring

⚠ VARNING: När du bär eller förvarar gräsklipparen ska du inte hålla i de hopvikta handtagen, utan i det främre handtaget på gräsklipparen. Att hålla i de hopvikta handtagen kan leda till allvarlig personskada eller att gräsklipparen skadas.

Batterikassetten och säkerhetsnyckeln ska tas ut innan gräsklipparen förvaras.

Förvara gräsklipparen inomhus på en kall, torr och låst plats. Förvara inte gräsklipparen och laddaren på platser där temperaturen kan nå eller överstiga 40 °C.

► **Fig.28:** 1. Främre handtaget 2. Bakre handtaget

1. Lossa låsskruvarna och dra ut det nedre handtaget åt båda sidor. För handtaget framåt. Håll nu ett fast grepp i det nedre handtaget så att det inte faller ned till gräsklipparens bortsida.

► **Fig.29:** 1. Låsskruv 2. Nedre handtaget

2. Lossa spännmuttrarna och vrid tillbaka det övre handtaget samtidigt som du drar det utåt åt båda sidor.

► **Fig.30:** 1. Spännmutter 2. Övre handtaget

3. Förvara gräsuppsamlaren mellan handtaget och gräsklipparen.

► **Fig.31:** 1. Gräsuppsamlare

OBS: När du placerar gräsklipparen i upprätt läge ska du inte hålla i handtaget, utan använda gräsklipparens främre handtag.

Ta bort eller montera gräsklipparkniven

⚠ VARNING: Ta alltid ut säkerhetsnyckeln och batterikassetten när du tar bort eller monterar kniven. Underlåtelse att ta ut säkerhetsnyckeln och batterikassetten kan leda till allvarlig skada.

⚠ VARNING: Kniven snurrar i några sekunder efter att säkerhetsgreppet har släppts. Påbörja inget arbete med kniven förrän den har stannat helt.

⚠ VARNING: Bär alltid handskar när du hanterar kniven.

Ta bort gräsklipparkniven

För DLM382

1. Placera gräsklipparen på sidan så att justerings-spaken för klipphöjd är vänd uppåt.
2. Lås knivens rotation genom att sätta in en skruvmejsel eller liknande i hålet längst in på gräsklipparen.
3. Vrid bulten moturs med nyckeln.
► **Fig.32:** 1. Gräsklipparkniv 2. Skruvmejsel 3. Nyckel
4. Ta bort bulten och kniven i ordning.
► **Fig.33:** 1. Knivsupport 2. Gräsklipparkniv 3. Bult

För DLM432

1. Placera gräsklipparen på sidan så att justerings-spaken för klipphöjd är vänd uppåt.
2. Lås knivens rotation genom att sätta in en skruvmejsel eller liknande i hålet längst in på gräsklipparen.
3. Vrid bulten moturs med nyckeln.
► **Fig.34:** 1. Gräsklipparkniv 2. Skruvmejsel 3. Nyckel
4. Ta bort bulten, den yttre flänsen, gräsklipparkniven och den inre flänsen i denna ordning.
► **Fig.35:** 1. Inre fläns 2. Gräsklipparkniv 3. Yttre fläns 4. Bult

Installera gräsklipparkniven

Montera gräsklipparkniven genom att följa borttagnings-proceduren i omvänd ordning.

⚠ VARNING: Montera gräsklipparkniven försiktigt. Den har en sida som ska vara uppåt och en som ska vara nedåt. Placera kniven så att rotationsriktningsspilen är riktad utåt.

⚠ VARNING: Dra åt bulten medurs ordentligt för att fästa kniven.

⚠ VARNING: Se till att gräsklipparkniven och alla fixeringsdelarna monteras korrekt och dras åt ordentligt.

⚠ VARNING: När du byter ut knivarna ska du alltid följa anvisningarna i denna bruksanvisning.

FELSÖKNING

Innan du ber om reparation ska du först utföra en egen kontroll. Om du hittar ett problem som inte finns förklarat i bruksanvisningen ska du inte försöka att ta isär maskinen. Fråga istället ett auktoriserad servicecenter för Makita, och använd alltid reservdelar från Makita för reparationer.

Feltillstånd	Trolig orsak (felfunktion)	Åtgärd
Gräsklipparen startar inte.	Två batterikassetter är inte insatta.	Sätt i de laddade batterikassetterna.
	Batteriproblem (underspänning)	Ladda batterikassetten på nytt. Om laddning inte hjälper byter du ut batterikassetten.
	Säkerhetsnyckeln är inte i.	Sätt i säkerhetsnyckeln.
Motorn stannar efter en kort stunds användning.	Batterinivån är låg.	Ladda batterikassetten på nytt. Om laddning inte hjälper byter du ut batterikassetten.
	Klipphöjden är för låg.	Öka klipphöjden.
Motorn når inte det maximala varvtalet.	Batterikassetten är felaktigt insatt.	Sätt i batterikassetten enligt anvisningarna i denna bruksanvisning.
	Batterinivån sjunker.	Ladda batterikassetten på nytt. Om laddning inte hjälper byter du ut batterikassetten.
	Drivsystemet fungerar inte som det ska.	Lämna in till ditt lokala auktoriserade servicecenter för reparation.
Gräsklipparkniven roterar inte: ⇒ stoppa gräsklipparen omedelbart!	Ett främmande föremål som t.ex. en gren har fastnat nära kniven.	Ta bort det främmande föremålet.
	Drivsystemet fungerar inte som det ska.	Lämna in till ditt lokala auktoriserade servicecenter för reparation.
Onormal vibration: ⇒ stoppa gräsklipparen omedelbart!	Kniven är obalanserad, överdrivet eller ojämnt utsliten.	Byt ut kniven.

VALFRIA TILLBEHÖR

⚠ FÖRSIKTIGT: Följande tillbehör eller tillsatser rekommenderas för användning med den Makita-maskin som denna bruksanvisning avser. Om andra tillbehör eller tillsatser används kan det uppstå risk för personskador. Använd endast tillbehören eller tillsatserna för de syften de är avsedda för.

Kontakta ditt lokala Makita servicecenter om du behöver ytterligare information om dessa tillbehör.

- Gräsklipparkniv
- Mulchingplugg
- Makitas originalbatteri och laddare

OBS: Några av tillbehören i listan kan vara inkluderade i maskinpaketet som standardtillbehör. De kan variera mellan olika länder.

TEKNISKE DATA

Modell:		DLM382	DLM432
Kuttebredde (knivdiameter)		380 mm	430 mm
Hastighet uten belastning		3 700 min ⁻¹	3 600 min ⁻¹
Delenummer for reserve gressklipperkniv		191D41-2	191D43-8
Mål (L x B x H)	ved bruk	L: 1 380 mm til 1 410 mm B: 450 mm H: 985 mm til 1 005 mm	L: 1 435 mm til 1 490 mm B: 460 mm H: 1 005 mm til 1 045 mm
	ved lagring (uten gresskurven)	860 mm x 450 mm x 475 mm	865 mm x 460 mm x 475 mm
Merkespenning		DC 36 V	
Nettovekt		15,5 - 16,5 kg	16,0 - 16,9 kg

- På grunn av vårt kontinuerlige forsknings- og utviklingsprogram kan spesifikasjonene som oppgis i dette dokumentet endres uten varsel.
- Spesifikasjonene kan variere fra land til land.
- Vekten kan variere avhengig av tilbehør/tilbehørene, inkludert batteriet. Den letteste og tyngste kombinasjonen, i henhold til EPTA-prosedyre 01/2014, vises i tabellen.

Passende batteri og lader

Batteriinnsett	BL1830B / BL1840B / BL1850B / BL1860B
Lader	DC18RC / DC18RD / DC18RE / DC18SD / DC18SE / DC18SF / DC18SH / DC18WC

- Noen av batteriene og laderne som er opplistet ovenfor er kanskje ikke tilgjengelige, avhengig av hvor du bor.

⚠ ADVARSEL: Bruk kun de batteriene og laderne som er opplistet ovenfor. Bruk av andre batterier og ladere kan føre til personskader og/eller brann.

⚠ ADVARSEL: Ikke bruk en kablet strømforsyning som batteriadapter eller bærbar lader med denne maskinen. Strømforsyningens kabel kan komme i veien under bruk og føre til personskade.

Symboler

Nedenfor ser du symbolene som kan brukes for dette utstyret. Forviss deg om at du forstår hva de betyr, før du begynner å bruke maskinen.

	Vær spesielt forsiktig og oppmerksom.
	Les bruksanvisningen.
	Vær oppmerksom på at objekter kan bli kastet ut.
	Avstanden mellom maskinen og andre personer enn operatøren må være minst 15 m.
	Plasser aldri hender og føtter nær gressklipperkniven under gressklipperen. Gressklipperknivene fortsetter å rotere etter at motoren er slått av.
	Fjern låsenøkkel for gressklipperen inspireres, justeres, rengjøres, mottar service, forlates og oppbevares.
	Advarsel: Koble fra batteriet før vedlikehold.



Garantert lydeffektivnivå i henhold til EU-direktivet om støy fra utstyr til utendørs bruk.



Lydeffektivnivå i henhold til Australia NSW støykontrollforskrift



Kun for EU-land
På grunn av forekomst av farlige komponenter i utstyret, kan avfall fra elektrisk og elektronisk utstyr, akkumulatører og batterier ha en negativ innvirkning på miljøet og menneskers helse.

Ikke kast elektriske og elektroniske apparater eller batterier sammen med husholdningsavfall!
I samsvar med det europeiske direktivet om avfall fra elektrisk og elektronisk utstyr og om akkumulatører og batterier samt akkumulatører og batterier som skal kastes, samt deres tilpasning til nasjonal lovgivning, skal brukt elektrisk utstyr samt brukte batterier og akkumulatører samles inn separat og leveres til et eget innsamlingssted for kommunalt avfall, som driver virksomhet i samsvar med miljøvernforskriftene.
Dette er angis av symbolet med den overkryssede avfallsbeholderen som er plassert på utstyret.

Riktig bruk

Denne maskinen er kun laget for gressklipping.

Støy

Typisk A-vektet lydtrykknivå er bestemt i henhold til EN IEC 62841-4-3:

Modell	Målt lydeffektnivå (L_{WA}) : (dB(A))	Garantert lydeffektnivå (L_{WA}) : (dB(A))
DLM382	91	94
DLM432	92	95

Modell	Lydtrykknivå (L_{pA}): (dB(A))	Usikkerhet for lydtrykknivå (K) : (dB(A))
DLM382	81	3
DLM432	81	3

MERK: Den/de oppgitte verdien(e) for genererte vibrasjoner har blitt målt i henhold til standard testmetoder, og kan bli brukt til å sammenligne ett verktøy med et annet.

MERK: Den/de angitte verdien(e) for de genererte vibrasjonene kan også brukes til en foreløpig vurdering av eksponeringen.

⚠ ADVARSEL: Bruk hørselsvern.

⚠ ADVARSEL: De genererte vibrasjonene ved faktisk bruk av elektroverktøyet kan avvike fra den/de angitte vibrasjonsverdien(e), avhengig av hvordan verktøyet brukes.

⚠ ADVARSEL: Sørg for å identifisere vernetiltak for å beskytte operatøren, som er basert på et estimat av eksponeringen under de faktiske bruksforholdene (idet det tas hensyn til alle deler av driftssyklusen, dvs. hvor lenge verktøyet er slått av, hvor lenge det går på tomgang og hvor lenge startbryteren faktisk holdes trykket).

Vibrasjoner

Den totale vibrasjonsverdien (triaksial vektorsum) bestemt i henhold EN IEC 62841-4-3:

Modell DLM382

Genererte vibrasjoner (a_h) : 2,5 m/s² eller mindre
Usikkerhet (K): 2,0 m/s²

Modell DLM432

Genererte vibrasjoner (a_h) : 2,5 m/s² eller mindre
Usikkerhet (K): 1,5 m/s²

MERK: Den/de oppgitte verdien(e) for totalt genererte vibrasjoner har blitt målt i henhold til standard testmetoder, og kan bli brukt til å sammenligne ett verktøy med et annet.

MERK: Den/de angitte verdien(e) for totalt genererte vibrasjoner kan også brukes til en foreløpig vurdering av eksponeringen.

⚠ ADVARSEL: De genererte vibrasjonene ved faktisk bruk av elektroverktøyet kan avvike fra den/de angitte vibrasjonsverdien(e), avhengig av hvordan verktøyet brukes og spesielt i forhold til arbeidsstykket som blir behandlet.

⚠ ADVARSEL: Sørg for å identifisere vernetiltak for å beskytte operatøren, som er basert på et estimat av eksponeringen under de faktiske bruksforholdene (idet det tas hensyn til alle deler av driftssyklusen, dvs. hvor lenge verktøyet er slått av, hvor lenge det går på tomgang og hvor lenge startbryteren faktisk holdes trykket).

Samsvarserklæringer

Gjelder kun for land i Europa

Samsvarserklæringerne er lagt til som vedlegg A i denne bruksanvisningen.

SIKKERHETSADVARSEL

Generelle advarsler angående sikkerhet for elektroverktøy

⚠ ADVARSEL Les alle sikkerhetsadvarsler, instruksjoner, illustrasjoner og spesifikasjoner som følger med dette elektroverktøyet. Hvis ikke alle instruksjonene nedenfor følges, kan det føre til elektrisk støt, brann og/eller alvorlig personskade.

Oppbevar alle advarsler og instruksjoner for senere bruk.

Uttrykket «elektrisk verktøy» i advarslene refererer både til elektriske verktøy (med ledning) tilkoblet strømmettet, og batteridrevne verktøy (uten ledning).

Sikkerhetsadvarsler for batteridrevet gressklipper

1. **Ikke bruk gressklipperen under dårlige værforhold, spesielt hvis det er fare for lyn.** Dette reduserer faren for å bli truffet av lyn.
2. **Undersøk området der du skal bruke gressklipperen grundig med tanke på dyreliv.** Dyr kan bli skadet av gressklipperen under bruk.
3. **Undersøk området der du skal bruke gressklipperen grundig, og fjern alle steiner, kvister, ståltråder, bein og andre fremmedlegemer.** Gjenstander som folk har kastet fra seg kan forårsake personskader.
4. **Før du bruker gressklipperen må du alltid undersøke visuelt at bladet og bladenheten ikke er slitt eller skadet.** Slitte eller skadde deler øker faren for personskader.
5. **Kontroller gressfangeren ofte for slitasje eller skader.** En slitt eller skadet gressfanger øker faren for personskader.
6. **Sørg for at vernene er på plass.** Vernene må være i fungerende stand og montert på riktig måte. Hvis et vern er løst, skadet eller ikke fungerer som det skal, kan det forårsake personskader.

7. **Hold alle kjøleluftinntak frie for smuss.** Blokkerte luftinntak og rusk kan føre til overoppheting eller fare for brann.
8. **Bruk alltid sklisikkert vernefottøy når du bruker gressklipperen. Ikke bruk gressklipperen barbeint eller med åpne sandaler.** Dette reduserer faren for skade på føttene som følge av kontakt med bladet i bevegelse.
9. **Ha alltid på deg langebukser når du bruker gressklipperen.** Bar hud øker sannsynligheten for skade som følge av flygende gjenstander.
10. **Ikke bruk gressklipperen i vått gress. Gå, løp aldri.** Da reduserer du faren for å skli og falle, noe som kan føre til personskader.
11. **Ikke bruk gressklipperen i svært bratte bakker.** Da reduserer du faren for å miste kontrollen, skli eller falle, noe som kan føre til personskader.
12. **Når du jobber i bakker, må du alltid ha godt fotfeste, alltid jobbe på tvers av bakken, aldri opp eller ned og utvise ekstrem forsiktig når du endrer retning.** Da reduserer du faren for å miste kontrollen, skli eller falle, noe som kan føre til personskader.
13. **Vær svært forsiktig når du rygger eller trekker gressklipperen mot deg. Vær alltid oppmerksom på omgivelsene.** Dette reduserer faren for å snuble under bruk.
14. **Ikke ta på blader og andre farlige bevegelige deler mens de fremdeles er i bevegelse.** Dette reduserer faren for personskader som følge av bevegelige deler.
15. **Når du skal fjerne materiale som sitter fast eller rengjøre gressklipperen, må du kontrollere at alle strømbrytere er slått av og at batteriet er frakoblet.** Hvis gressklipperen plutselig beveger seg, kan det føre til alvorlige personskader.

Ytterligere sikkerhetsadvarsler

Opplæring

1. Les nøye gjennom bruksanvisningen. Gjør deg kjent med kontrollene, og sett deg inn i hvordan gressklipperen fungerer.
2. La aldri barn eller personer som ikke er kjent med denne bruksanvisningen bruke gressklipperen. Lokale bestemmelser kan omfatte aldersgrenser for bruk av utstyret.
3. Aldri bruk gressklipperen mens uvedkommende (særlig barn og kjæledyr) er tilstede.
4. Vær oppmerksom på at operatøren eller brukeren er ansvarlig for ulykker eller skader som berører andre personer eller deres eiendom.

Klargjøring

1. Sørg for at ingen andre personer befinner seg på området før du begynner å klippe. Stans gressklipperen hvis noen kommer inn på området.
2. Ikke sett låsenøkkelen i gressklipperen før den er klar til bruk.
3. Se opp for hull, furer, dumper, steiner eller andre skjulte gjenstander. Ujevnt terreng kan forårsake en skli- og fallulykke. Høyt gress kan skjule gjenstander.
4. Ikke sett inn eller ta ut låsenøkkelen når det regner.

Bruk

1. **Stopp gressklipperen og ta ut låsenøkkelen, og kontroller at alle bevegelige deler har stoppet helt opp**
 - alltid når du forlater gressklipperen,
 - før du fjerner ting som har satt seg fast eller renser utkastet,
 - før kontroll, rengjøring eller arbeid på gressklipperen.
2. **Hvis gressklipperen slår mot et fremmedlegeme, følger du disse trinnene:**
 - Stans gressklipperen, slipp startbryteren og vent til knivene stanser helt.
 - Ta ut låsenøkkelen og batteriet.
 - Undersøk gressklipperen nøye for skader.
 - Erstatt kniven om den på noen måte skulle være skadd. Reparer eventuelle skader før ny oppstart og fortsatt bruk av gressklipperen.
3. **Hvis gressklipperen avgir unormale vibrasjoner eller du legger merke til noe annet uvanlig, skal du følge disse trinnene umiddelbart:**
 - Stans gressklipperen, slipp startbryteren og vent til knivene stanser helt.
 - Ta ut låsenøkkelen og batteriet.
 - Se etter skader, og skift ut eller reparer eventuelle skadede deler.
 - Kontroller og stram alle løs deler.
4. **Aldri bruk en gressklipper som har defekte vern eller beskyttelse, eller som ikke har sikkerhetsutstyr som for eksempel deflektorer og/eller gresskurv på plass.**
5. **Gressklipperen skal kun brukes i dagslys eller ved god kunstig belysning.**
6. **Start gressklipperen forsiktig i henhold til instruksjonene og hold føttene på god avstand fra bladene.**
7. **Ta nødvendige forholdsregler for å unngå at gressklipperknivene skader føtter eller hender.**
8. **Stans bladene hvis gressklipperen må skråstilles for transportering, ved kryssing av overflater som ikke er gress og under transportering av gressklipperen til og fra området der den skal brukes.**
9. **Ikke skråstill gressklipperen når motoren slås på, unntatt når gressklipperen må skråstilles for oppstart. I så fall må den ikke skråstilles mer enn absolutt nødvendig, og det er bare delen som er vendt bort fra brukeren som skal løftes. Forsikre deg alltid om at begge hendene er i arbeidsstilling før du setter gressklipperen tilbake på bakken.**
10. **Ikke plasser hender og føtter nær eller under roterende deler. Hold avstand fra avløpsåpningen til enhver tid.**
11. **Hold alltid godt fast i håndtaket.**
12. **Ikke grip tak i skjæreblader eller skjærekanter når du plukker opp eller holder i gressklipperen.**
13. **Hold hender og føtter i god avstand fra de roterende bladene. Forsiktig - knivene fortsetter å rotere etter at gressklipperen er slått av.**
14. **Du må aldri justere kutteøyden mens gressklipperen svinger hvis gressklipperen er utstyrt med funksjonen for justering av kutteøyde.**

15. **Slipp startbryteren og vent til knivene slutter å rotere før du krysser oppkjørsler, stier, veier og alle grusbelagte områder.** I tillegg må du ta ut låsenøkkelen hvis du forlater gressklipperen, skal plukke opp noe eller fjerne noe som ligger i veien, eller hvis noe av en eller annen grunn avleder deg fra det du holder på med.
16. **Ikke start gressklipperen mens du står foran avløpsåpningen.**
17. **Du må aldri rette materiale som kommer ut mot andre personer.** Unngå å rette materiale som kommer ut mot en vegg eller hindring. Materiale kan bli slynget tilbake mot operatøren. Stopp kniven når du krysser grusunderlag.
18. **Ikke dra gressklipperen bakover med mindre det er helt nødvendig.** Når du er nødt til å rygge gressklipperen bort fra et gjerde eller lignende, ser du ned og bak deg før og mens du beveger deg bakover.
19. **Slå av motoren, og vent til kniven stopper helt opp før du tar av gressfangeren.** Vær oppmerksom på at knivene beveger seg selv om gressklipperen er slått av.
20. **Når du bruker maskinen på gjørmete underlag, i våte bakker eller på glatte steder, må du passe på at du ikke mister fotfestet.**
21. **Unngå å arbeide under dårlige forhold som kan føre til utslitthet.**
22. **Ikke bruk maskinen i dårlig vær med begrenset sikt.** Det kan føre til feil bruk eller at du faller på grunn av dårlig sikt.
23. **Ikke senk maskinen ned i en vannpytt.**
24. **Når vått løv eller jord kleber seg til sugeåpningen (ventilasjonsvinduet) på grunn av regn, må det fjernes.**
25. **Ikke bruk maskinen i snøen.**
26. **Hvis det klippede gresset er vått, vil det sannsynligvis sette seg fast inni maskinen.** Kontroller maskinens tilstand regelmessig, og fjern gresset som har klebet seg fast ved behov.
27. **Når du bruker maskinen, må du være oppmerksom på rør og ledninger.**
9. **Du må aldri fjerne eller klusse med sikkerhetsutstyr.** Kontroller regelmessig at det fungerer som det skal. Du må aldri gjøre noe for å hindre den tiltenkte funksjonen til sikkerhetsutstyr eller for å redusere beskyttelsen som sikkerhetsutstyr gir.
10. **Ikke etterlat maskinen uten tilsyn utendørs når det regner.**
11. **Ikke vask maskinen med høytrykksvann.**
12. **Når du skal vaske maskinen, må du ta ut batteriet og låsenøkkelen, og lukke batteridekselet.** Tøm vann mot bunnen av maskinen der kniven er festet.
13. **Ved oppbevaring av maskinen skal du unngå direkte sollys og regn, og den skal oppbevares på et sted som ikke blir varmt eller fuktig.**
14. **Inspeksjon og vedlikehold skal unngås på et sted som er beskyttet mot regn.**
15. **Før du setter bort maskinen etter bruk må du fjerne all skitt som har satt seg fast og tørke maskinen godt.** Avhengig av sesong eller område er det fare for funksjonssvikt på grunn av frost.

Elektrisk sikkerhet og batterisikkerhet

1. **Ikke åpne eller ødelegg batteriet (batteriene).** Elektrolytt som lekker ut er korroderende, og kan forårsake skader på øyne og hud. Den kan være giftig hvis den svelges.
2. **Ikke skift batteri når det regner, eller i fuktige omgivelser.**
3. **Ikke lad batteriet utendørs.**
4. **Ikke håndter laderen, inkludert laderstøpselet og laderterminalene, med våte hender.**
5. **Ikke skift ut batteriet når det regner.**
6. **Ikke la batteriklemmen komme i kontakt med væske som f.eks. vann, og batteriet må heller ikke senkes ned i vann.** Ikke la batteriet stå ute i regnet, og du må heller ikke lade, bruke eller oppbevare batteriet på et fuktig eller vått sted. Hvis klemmen blir våt, eller hvis væske trenger inn i batteriet, kan batteriet kortslutte, og det er fare for overoppheting, brann eller eksplosjon.
7. **Når du har tatt batteriet ut av maskinen eller laderen, må du feste batteridekselet på batteriet og oppbevare det på et tørt sted.**
8. **Ikke skift ut batteriet med våte hender.**
9. **Unngå farlige miljøer.** Ikke bruk maskinen i fuktige eller våte omgivelser, og ikke utsett den for regn. Hvis det kommer vann inn i maskinen, vil risikoen for elektriske støt øke.
10. **Hvis batteriinnsetningen blir våt, tøm ut vannet på innsiden og tørk av med en tørr klut.** Tørk batteriinnsetningen helt på et tørt sted før bruk.

TA VARE PÅ DISSE INSTRUKSENE.

⚠ ADVARSEL: IKKE LA hensynet til hva som er "behagelig" eller det faktum at du kjenner produktet godt (etter mange gangers bruk) gjøre deg mindre oppmerksom på sikkerhetsreglene for bruken av det aktuelle produktet. Ved MISBRUK eller hvis ikke sikkerhetsreglene i denne bruksanvisningen følges, kan det oppstå alvorlig personskade.

Viktige sikkerhetsanvisninger for batteriinnsetts

1. Før du begynner å bruke batteriet, må du lese alle anvisninger og forsiktighetsregler på (1) batteriladeren, (2) batteriet og (3) det produktet batteriet skal brukes i.
2. Ikke demonter eller tukle batteriet. Det kan føre til brann, overoppheting eller eksplosjon.
3. Hvis driftstiden er blitt vesentlig kortere, må du omgående slutte å bruke maskinen. Hvis ikke kan resultatet bli overoppheting, mulige forbrenninger eller til og med en eksplosjon.
4. Hvis du får elektrolytt i øynene, må du skylle dem med store mengder rennende vann og oppsøke lege med én gang. Denne typen uhell kan føre til varig blindhet.
5. Ikke kortslutt batteriet:
 - (1) De kan være ekstremt varme og du kan brenne deg.
 - (2) Ikke lagre batteriet i samme beholder som andre metallgjenstander, som for eksempel spiker, mynter osv.
 - (3) Ikke la batteriet komme i kontakt med vann eller regn.

En kortslutning av batteriet kan føre til et kraftig strømstøt, overoppvarming, mulige forbrenninger og til og med til at batteriet går i stykker.

6. Ikke oppbevar og bruk verktøyet og batteriet på steder hvor temperaturen kan komme opp i eller overskride 50 °C.
7. Ikke sett fyr på batteriet, ikke engang om det er sterkt skadet eller helt utslitt. Batteriet kan eksplodere hvis det begynner å brenne.
8. Du må ikke spikre, skjære, klemme, kaste eller miste batteriet, og heller ikke slå en hard gjenstand mot batteriet. En slik oppførsel kan føre til brann, overoppheting eller eksplosjon.
9. Ikke bruk batterier som er skadet.
10. Lithium-ion-batteriene som medfølger er gjenstand for krav om spesialavfall.

For kommersiell transport, f.eks av tredjeparter eller spedidører, må spesielle krav om pakking og merking følges.

Før varen blir sendt, må du forhøre deg med en ekspert på farlig materiale. Ta også hensyn til muligheten for mer detaljerte nasjonale bestemmelser.

Bruk teip eller maskeringsteip for å skjule åpne kontakter og pakk inn batteriet på en slik måte at den ikke kan bevege seg rundt i emballasjen.

11. Når du kasserer batteriinnsettsen, må du ta den ut av verktøyet og avhende den på et sikkert sted. Følg lokale bestemmelser for avhengig av batterier.
12. Bruk batteriene kun med produkter spesifisert av Makita. Montere batteriene i produkter som ikke er konforme kan føre til brann, overheting eller elektrolyttlekkasje.
13. Hvis verktøyet ikke skal brukes over en lengre periode, må batteriet tas ut av verktøyet.
14. Under og etter bruk kan batteriet bli varmt og før til brannskader. Vær forsiktig med håndteringen av varme batterier.

15. Ikke berører terminalen på verktøyet rett etter bruk, da den kan bli varm og forårsake brannskader.
16. Ikke la spon, støv eller jord sette seg fast i terminalene, hullene og sporene i batteriet. Det kan føre til at batteriet eller verktøyet blir overopphetet, begynner å brenne, sprekker eller ikke fungerer som det skal, og forårsake brannskader eller personskade.
17. Med mindre verktøyet støtter bruk nær en høyspent strømlinje, skal ikke batteriet brukes nær en høyspent strømlinje. Det kan føre til en funksjonsfeil eller at verktøyet eller batteriet slutter å fungere.
18. Oppbevar batteriet utilgjengelig for barn.

TA VARE PÅ DISSE INSTRUKSENE.

⚠FORSIKTIG: Bruk kun originale Makita-batterier. Bruk av batterier som har endret seg, eller som ikke er originale Makita-batterier, kan føre til at batteriet sprekker og forårsaker brann, personskader og andre skader. Det vil også ugyldiggjøre garantien for Makita-verktøyet og -laderen.

Tips for å opprettholde maksimal batterilevetid

1. Lad batteriinnsettsen før den er helt utladet. Stopp alltid driften av verktøyet og lad batteriinnsettsen når du merker at effekten reduseres.
2. Lad aldri en batteriinnsetts som er fulladet. Overopplading forkorter batteriets levetid.
3. Lad batteriet i romtemperatur ved 10 °C - 40 °C. Et varmt batteri må kjøles ned før lading.
4. Når batteriet ikke er bruk, skal det tas ut av verktøyet eller laderen.
5. Lad batteriet hvis det ikke har vært brukt på en lang stund (over seks måneder).

MONTERING

⚠ADVARSEL: Sørg alltid for at låsenøkkelen og batteriet er fjernet før det utføres noe arbeid på gressklipperen. Hvis ikke låsenøkkelen og batteriet fjernes, kan dette forårsake alvorlig personskade ved tilfeldig oppstarting.

⚠ADVARSEL: Start aldri opp gressklipperen før det er fullstendig montert. Bruk av maskinen i en delvis montert tilstand, kan føre til alvorlig personskade som følge av utilsiktet oppstart.

Montere batteridekselet

⚠ADVARSEL: Du må ikke sette inn låsenøkkelen og batteriet før du monterer batteridekselet. Hvis du ikke følger denne anbefalingen, kan det resultere i alvorlige helseskader.

Sett batteridekselet riktig på plass før bruk. Batteridekselet beskytter gressklipperen og batteriet mot gjørrme, jord og vann.

1. Plasser batteridekselet med de utstikkende delene på gressklipperen rettet inn med hullene på batteridekselet.
► **Fig.1:** 1. Utsykkende deler 2. Hull 3. Batterideksel
2. Legg hendene på midten av batteridekselet, og trykk det ned.
► **Fig.2**
3. Før du tar verktøyet i bruk for første gang, må du kontrollere at dreiepunktet til batteridekselet er festet på riktig måte. Hvis batteridekselet er riktig montert, åpnes det ikke før du trekker i batteridekselets låsespak.
► **Fig.3:** 1. Dreiepunkt 2. Batteridekselets låsespak

Montering av håndtaket

OBS: Ved montering av håndtak, plasser ledningene slik at de ikke blir sittende fast i noe mellom håndtakene. Hvis ledningen er skadet kan det hende at gressklipperbryteren ikke virker.

1. Skyv begge ender av det nederste håndtaket inn i sporene i gressklipperen og stram klemmeskruene godt.
► **Fig.4:** 1. Klemmeskrue 2. Nedre håndtak
2. Juster skruerhullene på det øvre og nedre håndtaket. Fest dem med klemmeskruene og mutrene.
► **Fig.5:** 1. Låsemutter 2. Klemmeskrue

MERK: Holde det øverste håndtaket godt, slik at du ikke mister grepet.

3. Fest holderne til håndtaket. Plasser strømledningen som vist på bildet.
► **Fig.6:** 1. Holder

Ta av utstyret for bioklipping

Valgfritt tilbehør

1. Åpne bakdekselet.
► **Fig.7:** 1. Bakdeksel
2. Hold utstyret for bioklipping i håndtaket, og trekk det deretter ut fra gressklipperen som vist i figuren.
► **Fig.8:** 1. Utstyr for bioklipping 2. Håndtak

Monter gresskurven

1. Åpne bakdekselet.
► **Fig.9:** 1. Bakdeksel
2. Hekt gresskurven på stangen på gressklipperen som vist i figuren.
► **Fig.10:** 1. Krok 2. Stang 3. Gresskurv

Feste utstyret for bioklipping

Valgfritt tilbehør

1. Åpne bakdekselet og fjern gresskurven.
► **Fig.11:** 1. Bakdeksel 2. Gresskurv
2. Hold utstyret for bioklipping i håndtaket, og fest det deretter til gressklipperen som vist i figuren.
► **Fig.12:** 1. Utstyr for bioklipping 2. Håndtak

FUNKSJONSBE- SKRIVELSE

Sette inn eller ta ut batteri

⚠FORSIKTIG: Slå alltid av maskinen før du setter inn eller fjerner batteriet.

⚠FORSIKTIG: Sørg for at du lukker batterilokket før bruk. Ellers kan søle, skitt eller vann påføre skader på produktet eller batteripatronen.

⚠FORSIKTIG: Batteriet må alltid settes helt inn, så langt at den røde indikatoren ikke lenger er synlig. Hvis dette ikke gjøres, kan batteriet falle ut av maskinen og skade deg eller andre som oppholder seg i nærheten.

⚠FORSIKTIG: Ikke bruk makt når du setter i batteriet. Hvis batteriet ikke glir lett inn, er det fordi det ikke settes inn på riktig måte.

MERK: Maskinen fungerer ikke med kun ett batteri.

Installering av batteriet;

1. Skyv låsespaken til batteridekselet og åpne batteridekselet.
► **Fig.13:** 1. Batterideksel 2. Batteridekselets låsespak
2. Rett inn batterituppen mot hakket i gressklipperen, og skyv innsatsen til den låses på plass med et lite klikk.
► **Fig.14:** 1. Batteriinnsats
3. Sett inn låsenøkkelen på stedet vist på figuren, så langt den vil gå.
► **Fig.15:** 1. Låsenøkkel
4. Lukk batteridekselet og trykk på det inntil det låses sammen med låsespaken.

Fjerning av batteriet fra gressklipperen;

1. Skyv låsespaken til batteridekselet og åpne batteridekselet.
2. Trekk batteriinnsatsen ut fra gressklipperen mens du skyver på knappen foran på batteriet og trekker det ut.
3. Trekk ut låsenøkkelen.
4. Lukk batteridekselet.

Vernesystem for maskin/batteri

Maskinen er utstyrt med et vernesystem for maskin/ batteri. Dette systemet slår automatisk av strømmen til motoren for å forlenge maskinens og batteriets levetid. Maskinen stopper automatisk under drift hvis maskinen eller batteriet utsettes for en av følgende tilstander.

Overlastsikring

Når maskinen brukes på en måte som gjør at den bruker unormalt mye strøm, vil maskinen stanse automatisk uten noen form for indikasjon. I denne situasjonen må du skru av maskinen og stanse bruken som forårsaket at maskinen ble overopphetet. Slå deretter maskinen på for å starte den igjen.

Overopphetingsvern

Når maskinen blir overopphetet, stanser maskinen automatisk. La maskinen kjøle seg ned før du slår på maskinen igjen.

Overutladningsvern

Når batterikapasiteten blir lav, stanser maskinen automatisk. Hvis produktet ikke går selv om bryterne aktiveres, må du ta batteriene ut av maskinen og lade batteriene.

Indikere gjenværende batterikapasitet

► Fig.16: 1. Batterianviser

Når den gjenværende batterikapasiteten blir lav, blinker batteriindikatoren på den aktuelle siden for batteriet. Ved fortsatt bruk stopper maskinen, og batteriindikatoren tennes. I dette tilfellet lader du batteriet.

Indikere gjenværende batterikapasitet

Kun for batterier med indikatoren

Trykk på sjekk-knappen på batteriet for vise gjenværende batterikapasitet. Indikatorlampene lyser i et par sekunder.

► Fig.17: 1. Indikatorlamper 2. Kontrollknapp

Indikatorlamper			Gjenværende batterinivå
Tent	Av	Blinker	
			75 % til 100 %
			50 % til 75 %
			25 % til 50 %
			0 % til 25 %
			Lad batteriet.
			Batteriet kan ha en feil.

MERK: Det angitte nivået kan avvike noe fra den faktiske kapasiteten alt etter bruksforholdene og den omgivende temperaturen.

MERK: Den første (helt til venstre) indikatorlampen vil blinke når batterivernsystemet fungerer.

Bryterfunksjon

⚠ ADVARSEL: Før du setter batteriet inn, må du alltid kontrollere at bryterspaken fungerer som den skal, og at den går tilbake til sin opprinnelige posisjon når du slipper den. Hvis du bruker maskinen med en bryter som ikke fungerer som den skal, kan du komme til å miste kontrollen, og det kan føre til alvorlig personskade.

MERK: Gressklipperen starter ikke uten at bryterknappen trykkes på, selv hvis du trekker i bryterspaken.

MERK: Gressklipperen starter kanskje ikke på grunn av overlasten når du prøver å klippe langt eller tett gress i én økt. I slike tilfeller må du øke klippehøyden.

Denne gressklipperen er utstyrt med sperrebryter og håndtaksbryter. Hvis du noterer noe uvanlig med noen av disse bryterne, stans bruken umiddelbart og la dem bli inspisert av ditt nærmeste Makita autoriserte service-senter.

1. Sett inn batteriene. Sett låsenøkkelen inn i låsebryteren, og lukk batteridekselet.

► Fig.18: 1. Batteriinnsett 2. Låsenøkkel

2. Trykk på bryterknappen og hold den inne.

3. Grip det øvre håndtaket og trekk i bryterspaken.

► Fig.19: 1. Startknapp 2. Startspak

4. Slipp bryterknappen så snart motoren begynner å kjøre. Gressklipperen vil fortsette å kjøre til du slipper bryterspaken.

5. Slipp bryterspaken for å stanse motoren.

Tilpasse klippehøyden

⚠ ADVARSEL: Plasser aldri hånd eller ben under gressklipperens hoveddel når du justerer klippehøyden.

⚠ ADVARSEL: Sørg alltid for at spaken passer ordentlig inn i fordypningen før bruk.

Klippehøyden kan justeres i området mellom 20 mm og 75 mm.

1. Ta ut låsenøkkelen.

2. Trekk justeringsspaken for klippehøyden fra gressklipperens hoveddel og beveg den til ønsket klippehøyde.

► Fig.20: 1. Justeringsspak for klippehøyde

MERK: Tallene for klippehøyde er kun ment å være veiledende. Avhengig av plenen eller bakken kan faktisk plen høyde varierer litt fra den angitte høyden.

MERK: Gjør en prøvekutting på et mindre iøynefallende sted for å oppnå den høyden du ønsker.

Indikator for gressnivå

► Fig.21: 1. Indikator for gressnivå

Indikatoren for gressnivå viser hvor mye gress som er klippet.

- Så lenge gresskurven ikke er full, flyter indikatoren når du klipper gresset.
- Når gresskurven er full, flyter ikke indikatoren når du klipper gresset. Når dette skjer, må du umiddelbart stoppe klippingen og tømme kurven. Når du tømmer kurven, må du rengjøre den, slik at luft slipper ut gjennom hullene.

MERK: Denne indikatoren er kun en veiledning. Avhengig av tilstanden inne i kurven, kan det hende at indikatoren ikke fungerer som den skal.

Bruke utstyret for bioklipping

Valgfritt tilbehør

Utstyret for bioklipping lar deg sende det klippede gresset til bakken uten å samle opp det klippede gresset i gresskurven. Når du bruker maskinen med utstyret for bioklipping, må du passe på å fjerne gresskurven.

OBS: Når du bruker maskinen med pluggen for bioklipping, må du kontrollere at gressets totale lengde etter klipping er 30 mm eller mer, og at skjærelengden er 15 mm eller mindre.

► Fig.22: (1) 30 mm eller mer (2) 15 mm eller mindre

BRUK

Klipping

⚠ADVARSEL: Før klipping, rydd vekk pinner og steiner fra klippeområdet. I tillegg, rensk vekk ugress fra området på forhånd.

⚠ADVARSEL: Bruk alltid vernebriller med sidevern under bruk av gressklipperen.

⚠FORSIKTIG: Hvis det klippede gresset eller fremmedlegemer hopper seg opp inni gressklipperen, må du ta ut låsenøkkelen og batteriet samt ta på deg hansker før du fjerner gresset eller fremmedlegemer.

OBS: Denne maskinen skal kun brukes til plenklipping. Ikke klipp ugress med denne maskinen.

► Fig.23

Hold håndtaket fast med begge hender under klippingen. Retningslinjen for klipperhastighet er omtrent 1 meter på 4 sekunder.

► Fig.24

De utvendige kantene på fronthjulene er veiledende for klippbredden. Bruk de utvendige kantene på fronthjulene som veiledere, og klipp i striper. Overlapp med halvdelen til én tredel av den foregående stripen for å klippe plenen jevnt.

► Fig.25: 1. Klippbredde 2. Overlapping 3. Utvendig kant

Skift klipperetning hver gang for å unngå at mønsteret for gressstrætningen dannes bare i én retning.

► Fig.26

Du må regelmessig kontrollere gressnivået i gresskurven. Tøm ut gresset før den blir helt full. Før regelmessige kontroll, må du sørge for at du stanser gressklipperen og tar ut låsenøkkelen og batteriet.

OBS: Bruk av gressklipperen med gresskurven full, hindrer jevn rotering av kniven og legger en ekstra belastning på motoren, hvilket kan føre til at den bryter sammen.

Klipping av plenen med høyt gress

Ikke kutt vått gress eller løvverk på små trær. Det er bedre å klippe gresset i små trinn. La det gå en dag eller to mellom klippeøkter, til plenen blir jevnt kort.

MERK: Dersom gresset klippes kort i én økt, kan det føre til at gresset dør. Oppkuttet gress kan også blokkere innsiden av gressklipperen.

Tømming av gresskurven

⚠ADVARSEL: For å redusere faren for ulykker, kontroller regelmessig gresskurven for skade eller redusert styrke. Skift om nødvendig ut gresskurven.

1. Slipp bryterspaken.
2. Ta ut låsenøkkelen.
3. Åpne bakdekselet, og ta ut gresskurven ved å holde i håndtaket.
- Fig.27: 1. Bakdeksel 2. Håndtak
4. Tøm gresskurven.

VEDLIKEHOLD

⚠ADVARSEL: Sørg alltid for at låsenøkkelen og batteriet er tatt ut av gressklipperen før oppbevaring eller bæring av gressklipperen, eller forsøk på inspeksjon eller vedlikehold.

⚠ADVARSEL: Du må alltid ta ut låsenøkkelen når gressklipperen ikke er i bruk. Oppbevar låsenøkkelen på et trygt sted, utilgjengelig for barn.

⚠ADVARSEL: Bruk hansker når du utfører inspeksjon eller vedlikehold.

⚠ADVARSEL: Bruk alltid sikkerhets- eller vernebriller med sidevern når du utfører inspeksjon eller vedlikehold.

OBS: Aldri bruk gasolin, bensin, tynner alkohol eller lignende. Det kan føre til misfarging, deformering eller sprekkdannelse.

For å opprettholde produktets SIKKERHET og PÅLITELIGHET, må reparasjoner, vedlikehold og justeringer utføres av autoriserte Makita servicesentre eller fabrikkerservicesentre, og det må alltid brukes reservedeler fra Makita.

Vedlikehold

1. Ta ut låsenøkkelen. Oppbevar den på et trygt sted utenfor barns rekkevidde.
2. Rengjør gressklipperen kun med en våt klut. Ikke spray eller hell vann over gressklipperen under rengjøringen.
3. Legg gressklipperen over på siden og fjern klippet gress som har samlet seg på undersiden av gressklipperdekket.
4. Kontroller at alle muttere, bolter, knotter, skruer, fester osv. er ordentlig festet.
5. Kontroller bevegelige deler for skade, brudd og slitasje. Skadete og manglende deler skal repareres eller skiftes ut.

Lagring

⚠ ADVARSEL: Når gressklipperen bæres eller oppbevares, hold ikke i de sammenfoldede håndtakene, men i gressklipperens fronthåndtak. Hvis den holdes etter de sammenfoldede håndtakene, kan dette forårsake alvorlig helseskade eller skade gressklipperen.

Før gressklipperen settes til oppbevaring, må du ta ut batteriet og låsenøkkelen.

Oppbevar gressklipperen innendørs på et kjølig, tørt og låst sted. Ikke oppbevar gressklipperen og laderen på steder hvor temperaturen kan komme opp i eller overskride 40 °C.

► **Fig.28:** 1. Fronthåndtak 2. Bakre håndtak

1. Løsne klemmeskruene og trekk det nedre håndtaket ut til sidene. Skyv håndtaket ned og frem. Når du gjør dette, hold godt fast i det nedre håndtaket slik at det ikke faller ned på den andre siden av gressklipperen.

► **Fig.29:** 1. Klemmeskrue 2. Nedre håndtak

2. Løsne klemmeskruene og dreii det øverste håndtaket bakover, samtidig som du trekker ut til begge sider.

► **Fig.30:** 1. Låsemutter 2. Øvre håndtak

3. Oppbevar gresskurven mellom håndtaket og gressklippermaskinen.

► **Fig.31:** 1. Gresskurv

MERK: Når gressklipperen settes i oppreist stilling, hold ikke i håndtaket, men bruk gressklipperens fronthåndtak.

Demontere eller montere gressklipperkniven

⚠ ADVARSEL: Ta alltid ut låsenøkkelen og batteriet når bladet skal fjernes eller monteres. Hvis låsenøkkelen og batteriet ikke fjernes, kan dette forårsake alvorlig personskaade.

⚠ ADVARSEL: Bladet roterer i noen få sekunder etter at bryteren er sluppet. Ikke start noen form for arbeid før kniven har stanset helt.

⚠ ADVARSEL: Når du håndterer bladet, bruk alltid hansker.

Ta ut gressklipperkniven

For DLM382

1. Legg gressklipperen over på siden slik at justeringsspaken for klippehøyde kommer opp til den øverste siden.

2. Lås knivrotasjonen ved å føre en skrutrekker eller liknende verktøy inn i et hull på gressklipperen.

3. Skru bolten mot urviseren med en skrunøkkel.

► **Fig.32:** 1. Gressklipperkniv 2. Skrutrekker
3. Fastnøkkel

4. Fjern bolten og kniven etter hverandre.

► **Fig.33:** 1. Knivholder 2. Gressklipperkniv 3. Bolt

For DLM432

1. Legg gressklipperen over på siden slik at justeringsspaken for klippehøyde kommer opp til den øverste siden.

2. Lås knivrotasjonen ved å føre en skrutrekker eller liknende verktøy inn i et hull på gressklipperen.

3. Skru bolten mot urviseren med en skrunøkkel.

► **Fig.34:** 1. Gressklipperkniv 2. Skrutrekker
3. Fastnøkkel

4. Fjern bolten, den ytre flensen, gressklipperkniven og den innvendige flensen i rekkefølge.

► **Fig.35:** 1. Indre flens 2. Gressklipperkniv 3. Ytre flens 4. Bolt

Montere gressklipperkniven

Monter gressklipperkniven ved å følge fremgangsmåten for demontering i motsatt rekkefølge.

⚠ ADVARSEL: Sett gressklipperkniven forsiktig inn. Den har en over- og underside. Plasser kniven slik at knivsidene med rotasjonsretningspilen vises utover.

⚠ ADVARSEL: Stram til bolten med urviseren for å feste bladet.

⚠ ADVARSEL: Sørg for at gressklipperkniven og alle festedelenes er riktig montert og godt strammet.

⚠ ADVARSEL: Når du skifter ut bladene, skal du alltid følge anvisningene i denne håndboken.

FEILSØKING

Inspirer utstyret selv før du bestiller reparasjon. Ikke prøv å demontere verktøyet hvis du finner et problem som ikke er forklart i brukerveiledningen. I stedet bør du ta kontakt med et av Makitas autoriserte servicesentre, som alltid bruker reservedeler fra Makita til reparasjoner.

Unormal tilstand	Sannsynlig årsak (feil)	Løsning
Gressklipperen starter ikke.	De to batteriinnsettene er ikke satt inn.	Sett inn de oppladede batteriinnsettene.
	Batteriproblem (med spenning)	Lad batteriet. Hvis ladingen ikke virker, skal batteriet skiftes ut.
	Låsenøkkelen er ikke satt inn.	Sett inn låsenøkkelen.
Motoren slutter å gå etter kort tids bruk.	Batteriets ladenivå er lavt.	Lad batteriet. Hvis ladingen ikke virker, skal batteriet skiftes ut.
	Klippehøyden er for lav.	Øk klippehøyden.
Motoren når ikke maksimalt antall omdreininger per minutt.	Batteriet er riktig satt inn.	Sett inn batteriet som beskrevet i denne håndboken.
	Batterieffekten minsker.	Lad batteriet. Hvis ladingen ikke virker, skal batteriet skiftes ut.
	Drivsystemet virker ikke slik det skal.	Kontakt ditt nærmeste autoriserte servicesenter hvis det oppstår behov for reparasjon.
Gressklipperkniven roterer ikke: ⇒ stans gressklipperen umiddelbart!	Fremmedlegemer, for eksempel grener, har satt seg fast nære kniven.	Fjern fremmedlegemet.
	Drivsystemet virker ikke slik det skal.	Kontakt ditt nærmeste autoriserte servicesenter hvis det oppstår behov for reparasjon.
Unormale vibrasjoner: ⇒ stans gressklipperen umiddelbart!	Kniven er i ubalanse, for slitt eller ujevnt slitt.	Skift ut kniven.

VALGFRITT TILBEHØR

⚠FORSIKTIG: Det anbefales at du bruker dette tilbehøret eller verktøyet sammen med den Makita-maskinen som er spesifisert i denne håndboken. Bruk av annet tilbehør eller verktøy kan forårsake personskafer. Tilbehør og verktøy må kun brukes til det formålet det er beregnet på.

Ta kontakt med ditt lokale Makita-servicesenter hvis du trenger mer informasjon om dette tilbehøret.

- Gressklipperkniv
- Utstyr for bioklipping
- Makita originalbatteri og lader

MERK: Enkelte elementer i listen kan være inkludert som standardtilbehør i verktøypakken. Elementene kan variere fra land til land.

TEKNISET TIEDOT

Malli:	DLM382	DLM432	
Leikkuuleveys (terän halkaisija)	380 mm	430 mm	
Kuormittamaton kierrosnopeus	3 700 min ⁻¹	3 600 min ⁻¹	
Ruohonleikkurin vaihtoterän osanumero	191D41-2	191D43-8	
Mitat (P x L x K)	toiminnan aikana	P: 1 380 mm – 1 410 mm L: 450 mm K: 985 mm – 1 005 mm	P: 1 435 mm – 1 490 mm L: 460 mm K: 1 005 mm – 1 045 mm
	varastoitaaessa (ilman ruohosäiliötä)	860 mm x 450 mm x 475 mm	865 mm x 460 mm x 475 mm
Nimellisjännite	DC 36 V		
Nettopaino	15,5 – 16,5 kg	16,0 – 16,9 kg	

- Jatkuvasta tutkimus- ja kehitystyöstämme johtuen esitetyt tekniset tiedot saattavat muuttua ilman erillistä ilmoitusta.
- Tekniset tiedot voivat vaihdella maittain.
- Paino voi olla erilainen lisävarusteista sekä akusta johtuen. EPTA-menettelytavan 01/2014 mukaisesti, taulukossa on kuvattu kevyin ja painavin laiteyhdistelmä.

Käytettävä akkupaketti ja laturi

Akkupaketti	BL1830B / BL1840B / BL1850B / BL1860B
Laturi	DC18RC / DC18RD / DC18RE / DC18SD / DC18SE / DC18SF / DC18SH / DC18WC








- Tiettyjä yläpuolella kuvattuja akkuja ja latureita ei ehkä ole saatavana asuinalueestasi johtuen.

VAROITUS: Käytä vain edellä eriteltyjä akkupaketteja ja latureita. Muiden akkupakettien ja laturien käyttäminen voi aiheuttaa loukkaantumisen ja/tai tulipalon.

VAROITUS: Älä käytä koneen kanssa johdollista virtalähdettä, kuten akkusovitinta tai kannettavaa tehoyksikköä. Tällaisen virtalähteen johto voi haitata käyttöä ja aiheuttaa henkilövahingon.

Symbolit

Laitteessa on mahdollisesti käytetty seuraavia symboleja. Opettele niiden merkitys ennen käyttöä.

	Noudata erityistä varovaisuutta ja kiinnitä huomiota.
	Lue käyttöohje.
	Vaara; varo sinkoutuvia kappaleita.
	Sivullisten henkilöiden etäisyyden työkälystä on oltava vähintään 15 m.
	Älä koskaan työnnä käsiäsi tai jalkojasi ruohonleikkurin alla olevan terän lähelle. Ruohonleikkurin terät pyörivät moottorin sammuttamisen jälkeenkin.
	Irrota lukitusavain ennen ruohonleikkurin tarkistamista, säätämistä, puhdistamista, huoltamista tai asettamista säiliöön.
	Varoitus: Irrota akku ennen huoltotoimia.



EU:n ulkona käytettävien laitteiden melupäästöjä koskevan direktiivin mukainen taattu äänitehotaso.



Australian Uuden Etelä-Walesin osavaltion melutasolainsäädännön mukainen äänitehotaso



Koskee vain EU-maita
Käytetyillä sähkö- ja elektroniikkalaitteilla, paristoilla ja akuilla voi olla negatiivisia ympäristö- ja terveysvaikutuksia niissä käytettyjen haitallisten osien takia.
Älä hävitä sähkö- ja elektroniikkalaitteita tai akkuja kotitalousjätteen mukana!
Vanhoja sähkö- ja elektroniikkalaitteita, paristoja ja akkuja koskevan EU-direktiivin ja sen perusteella laadittujen kansallisten lakien mukaan käytetyt sähkö- ja elektroniikkalaitteet, paristot ja akut on kierrätettävä toimittamalla ne erilliseen, ympäristönsuojelusäädösten mukaisesti toimivaan kierrätyspisteeseen.
Tämä on ilmaistu laitteessa olevalla ylivedetyn roska-astian symbolilla.

Käyttötarkoitus

Kone on tarkoitettu ruohonleikkuuseen.

Melutaso

Tyypillinen A-painotettu melutaso määräytyy standardin EN IEC 6284 1-4-3 mukaan:

Malli	Mitattu ääniteho- taso (L_{WA}): (dB(A))	Taattu ääniteho- taso (L_{WA}): (dB(A))
DLM382	91	94
DLM432	92	95

Malli	Äänenpainetaso (L_{pA}): (dB(A))	Äänenpainetason epävarmuus (K): (dB(A))
DLM382	81	3
DLM432	81	3

HUOMAA: Ilmoitetut melutasoarvot on mitattu standarditestausten mukaisesti ja niiden avulla voidaan vertailla työkaluja keskenään.

HUOMAA: Ilmoitettuja melutasoarvoja voidaan käyttää myös altistumisen alustavaan arviointiin.

VAROITUS: Käytä kuulosuojaimia.

VAROITUS: Sähkötyökalun käytön aikana mitattu melutasoarvo voi poiketa ilmoitetuista arvoista laitteen käyttötavan ja erityisesti käsiteltävän työkappaleen mukaan.

VAROITUS: Selvitä käyttäjän suojaamiseksi tarvittavat varoimet todellisissa käyttöolosuhteissa tapahtuvan arvioitun altistumisen mukaisesti (ottaen huomioon käyttöjaksot kokonaisuudessaan, myös jaksot, joiden aikana laite on sammutettuna tai käy tyhjäkäynnillä).

Tärinä

Kokonaistärinä (kolmen akselin vektorien summa) määräytyy standardin EN IEC 62841-4-3 mukaan:

Malli DLM382

Tärinäpäästö (a_n): 2,5 m/s² tai alaisempi
Virhemarginaali (K): 2,0 m/s²

Malli DLM432

Tärinäpäästö (a_n): 2,5 m/s² tai alaisempi
Virhemarginaali (K): 1,5 m/s²

HUOMAA: Ilmoitetut kokonaistärinäarvot on mitattu standarditestausten mukaisesti ja niiden avulla voidaan vertailla työkaluja keskenään.

HUOMAA: Ilmoitettuja kokonaistärinäarvoja voidaan käyttää myös altistumisen alustavaan arviointiin.

VAROITUS: Sähkötyökalun käytön aikana mitattu todellinen tärinäpäästöarvo voi poiketa ilmoitetuista arvoista laitteen käyttötavan ja erityisesti käsiteltävän työkappaleen mukaan.

VAROITUS: Selvitä käyttäjän suojaamiseksi tarvittavat varoimet todellisissa käyttöolosuhteissa tapahtuvan arvioitun altistumisen mukaisesti (ottaen huomioon käyttöjaksot kokonaisuudessaan, myös jaksot, joiden aikana laite on sammutettuna tai käy tyhjäkäynnillä).

Vaativuuden mukaisuusvaatimukset

Koskee vain Euroopan maita

Vaativuuden mukaisuusvaatimukset on liitetty tähän käyttöoppaaseen liitteeksi A.

TURVAVAROITUKSET

Sähkötyökalujen käyttöä koskevat yleiset varoitukset

VAROITUS Tutustu kaikkiin tämän sähkötyökalun mukana toimitettuihin turvavaroituksiin, ohjeisiin, kuviin ja teknisiin tietoihin. Seuraavassa esitettyjen ohjeiden noudattamatta jättäminen voi aiheuttaa sähköiskun, tulipalon ja/tai vakavan vamman.

Säilytä varoitukset ja ohjeet tulevaa käyttöä varten.

Varoituksissa käytettävällä termillä "sähkötyökalu" tarkoitetaan joko verkkovirtaa käyttävää (johdollista) työkalua tai akkukäyttöistä (johdotonta) työkalua.

Akkukäyttöisen ruohonleikkurin turvallisuusohjeet

1. Älä käytä ruohonleikkuria huonoissa sääolosuhteissa, varsinkin ukkosella salamaniskun vaaran takia. Näin voit pienentää salamaniskun riskiä.
2. Tarkista huolellisesti, ettei ruohonleikkurilla leikattavalla alueella ole eläimiä. Ruohonleikkuri voi vahingoittaa eläimiä.
3. Tarkista ruohonleikkurilla leikattava alue huolellisesti ja poista kaikki kivet, tikut, johdot, luut ja muut vierasesineet alueelta. Sinkoutuvat esineet voivat aiheuttaa henkilövahingon.
4. Tarkista ennen ruohonleikkurin käyttöä silmämääräisesti, että terä ja teräasetelma eivät ole kuluneet tai vaurioituneet. Kuluneet tai vaurioituneet osat lisäävät henkilövahinkojen vaaraa.
5. Tarkista säännöllisesti, ettei ruohonkerääjässä ole kulumia tai murtumia. Kulunut tai vaurioitunut ruohonkerääjä lisää henkilövahinkojen vaaraa.
6. Pidä kaikki suojat paikoillaan. Suojien on oltava kunnossa ja asennettuina oikein. Huonosti paikallaan oleva, vaurioitunut tai viiallisesti toimiva suoja voi johtaa henkilövahinkoon.
7. Älä päästä roskaa jäähdytysilma-aukoihin. Tukkeutuneet ilma-aukot ja roska voivat aiheuttaa ylikuumentumista ja tulipalon riskin.
8. Käytä ruohonleikkuria käyttäessäsi aina luis-tamattomia turvajalkineita. Älä käytä ruohonleikkuria paljain jaloin tai avosandaalit jalassa. Se vähentää jalkojen vahingoittumisvaaraa, jos ne ottavat kiinni liikkuvaan terään.
9. Käytä ruohonleikkuria käyttäessäsi aina pitkiä housuja. Paljas iho lisää sinkoutuvista esineistä johtuvaa vahingoittumisvaaraa.

10. Älä käytä ruohonleikkuria märällä nurmikolla. Kävele, älä koskaan juokse. Tämä vähentää liukastumisen ja kaatumisen vaaraa, jotka voivat johtaa henkilövahinkoon.
 11. Älä käytä ruohonleikkuria erittäin jyrkissä rinneissä. Tämä vähentää hallinnan menettämisen, liukastumisen ja kaatumisen vaaraa, jotka voivat johtaa henkilövahinkoon.
 12. Työkenneltäessä rinteissä säilytä hyvä tasapaino, kulje rinteiden poikki, ei koskaan ylös tai alas, ja ole erittäin varovainen vaihtaessasi suuntaa. Tämä vähentää hallinnan menettämisen, liukastumisen ja kaatumisen vaaraa, jotka voivat johtaa henkilövahinkoon.
 13. Ole erityisen varovainen, kun peruutat ruohonleikkuria tai vedät sitä itseäsi kohti. Kiinnitä aina huomiota ympäristöön. Se vähentää käytön aikaista kompastumisriskiä.
 14. Älä kosketa teriä ja muita vaarallisia liikkuvia osia, kun ne ovat vielä liikkeessä. Se vähentää liikkuvien osien aiheuttamien vammojen riskiä.
 15. Kun poistat kiinni jäänyttä leikkumateriaalia tai puhdistat ruohonleikkuria, varmista, että kaikki virtakytkimet ovat sammutettuja ja että akkupaketti kytketty irti. Ruohonleikkurin käynnistyminen vahingossa saattaa aiheuttaa vakavan henkilövahingon.
2. Jos ruohonleikkuri osuu vieraaseen esineeseen, toimi seuraavasti:
 - Pysäytä ruohonleikkuri, vapauta kytkinvipu ja odota, että terä pysähtyy täysin.
 - Irrota lukitusavain ja akkupaketti.
 - Tarkista huolellisesti, ettei ruohonleikkuri ole vaurioitunut.
 - Vaihda terä, jos se on vaurioitunut. Korjaa mahdolliset vauriot ennen ruohonleikkurin käynnistämistä uudelleen ja käytön jatkamista.
 3. Jos ruohonleikkuri alkaa täräistä epänormaalisti tai huomaat jotain epätavallista, noudata näitä ohjeita välittömästi:
 - Pysäytä ruohonleikkuri, vapauta kytkinvipu ja odota, että terä pysähtyy täysin.
 - Irrota lukitusavain ja akkupaketti.
 - Tarkasta vauriot ja vaihda tai korjaa vaurioituneet osat.
 - Tarkista ja kiristä löystyneet osat.
 4. Älä koskaan käytä ruohonleikkuria, jos suojukset tai kiivet ovat vioittuneet tai turvalaitteet, esimerkiksi visisuojat ja/tai ruohosäiliö, eivät ole paikallaan.
 5. Käytä ruohonleikkuria vain päivänvalossa tai kirkkaassa keinovalossa.
 6. Käynnistä moottori varovaisuutta noudattaen ja ohjeiden mukaisesti ja pidä jalkasi poissa terän (terien) ulottuvilta.
 7. Varo, etteivät ruohonleikkurin terät vahingoita jalkojasi tai käsiäsi.
 8. Pysäytä terät, jos ruohonleikkuria on tarpeen kallistaa ruohottomia alueita ylittettäessä, sekä silloin, kun siirrä sitä leikattavalle nurmi-alueelle ja takaisin.
 9. Älä kallista ruohonleikkuria moottorin käynnistyksen aikana, ellei se ole käynnistyksen kannalta välttämätöntä. Jos kallistaminen on välttämätöntä, kallista laitetta mahdollisimman vähän ja kohota vain käyttäjään nähden kauimpana olevaa puolta. Varmista aina, että molemmat kätesi ovat käyttöasennossa, ennen kuin lasket ruohonleikkurin maahan.

Muut turvallisuusohjeet

Koulutus

1. Lue ohjeet huolellisesti. Perekdy ruohonleikkurin säätimiin ja asianmukaiseen käyttöön.
2. Älä anna lasten tai näihin ohjeisiin perehtymättömien henkilöiden käyttää ruohonleikkuria. Paikalliset määräykset voivat rajoittaa käyttäjän ikää.
3. Ruohonleikkuria ei saa koskaan käyttää, kun lähistöllä on muita henkilöitä, etenkin lapsia, tai lemmikkieläimiä.
4. Muista, että käyttäjä vastaa tapaturmista tai vahingoista, jotka hän aiheuttaa muille ihmisille tai heidän omaisuudelleen.

Valmistelu

1. Varmista ennen ruohonleikkurin aloittamista, ettei alueella ole muita ihmisiä. Lopeta ruohonleikkurin käyttö, jos työskentelyalueelle tulee muita.
 2. Aseta lukitusavain ruohonleikkuriin vasta, kun leikkuri on käyttövalmis.
 3. Varo koloja, vakoja, töyssyjä, kiviä ja muita näymättömissä olevia esineitä. Epätasainen maasto lisää liukastumisesta ja kaatumisesta johtuvien tapaturmien riskiä. Pitkä nurmi voi peittää esteet näkyvistä.
 4. Älä aseta lukitusavainta paikalleen tai poista sitä sateella.
10. Älä aseta käsiäsi tai jalkojasi pyörivien osien alle tai lähelle. Pidä poistoaukko aina esteettömänä jäämistä.
 11. Pidä aina tukevasti kiinni kahvasta.
 12. Älä tartu leikkuuteriin tai leikkaaviin reunoihin, kun nostat tai kannattelet ruohonleikkuria.
 13. Pidä jalkasi ja kätesi kaukana pyörivistä teristä. Varoitus - terät pyörivät vielä sen jälkeen kun leikkuri on kytketty pois päältä.
 14. Jos ruohonleikkurissa on leikkuukorkeuden säätömahdollisuus, älä koskaan yritä säätää leikkuukorkeutta, kun ruohonleikkuri on käynnissä.

Käyttö

1. Sammuta ruohonleikkuri, irrota lukitusavain ja varmista, että kaikki liikkuvat osat ovat pysähtyneet täysin
 - aina poistuessasi ruohonleikkurin luota,
 - ennen tukosten poistamista tai kourun puhdistamista,
 - ennen ruohonleikkurin tarkistamista, puhdistamista tai kunnossapittoa.
15. Vapauta kytkinvipu ja anna terien pysähtyä ennen ajo- ja kävelyreittien, yleisten teiden tai sorapintaisten alueiden ylittämistä. Poista lukitusavain, jos poistut ruohonleikkurin luota, kurotut nostamaan jotakin tai ottamaan jotakin pois tieltä tai teet muuta, joka voi jostain syystä siirtää huomiosi pois laitteen käytöstä.

16. Älä käynnistä ruohonleikkuria seisossasi poistoaukon edessä.
17. Älä koskaan suuntaa ulos lentävää materiaalia ihmisiä kohti. Vältä ulos lentävän materiaalin suuntaamista seinää tai muuta estettä kohti. Materiaali voi tällöin kimmota takaisin käyttäjää kohti. Pysäytä terä, kun ylität sorapintoja.
18. Älä vedä ruohonleikkuria taaksepäin ellei se ole täysin välttämätöntä. Jos ruohonleikkuria on vedettävä taaksepäin aidan tai muun vastaavan esteen ohittamiseksi, katso taaksesi ja alas ennen kuin aloitat liikkuu taaksepäin.
19. Sammuta moottori ja odota, että terä pysähtyy täysin, ennen kuin irrotat ruohonkerääjän. Pidä mielessä, että terät pyörivät hetken vapaasti sammuttamisen jälkeen.
20. Kun käytät laitetta mutaisessa maastossa, märässä rinteessä tai liukkaassa paikassa, kiinnitä erityistä huomiota hyvän tasapainon säilyttämiseen.
21. Vältä työskentelemistä heikoissa olosuhteissa, jotka saattavat uuvuttaa käyttäjää liiallisesti.
22. Älä käytä laitetta huonoissa sääoloissa, kun näkyvyys on rajoittunut. Muussa tapauksessa seurauksena voi olla heikentyneestä näkyvyydestä johtuva kaatuminen tai virheikäyttö.
23. Älä upota laitetta lammikkoihin.
24. Poista imuaukkoon (tuuletusaukkoon) kiinni jäävät märät lehdet ja lika.
25. Älä käytä laitetta lumessa.
26. Jos leikattava nurmikko on märkää, sitä todennäköisesti pakkaantuu laitteen sisälle. Tarkista tällöin laitteen kunto säännöllisesti ja poista kiinni jäänyt ruoho tarvittaessa.
27. Kun käytät konetta, kiinnitä huomiota putkien ja johtojen sijaintiin.

Kunnossapito ja säilytys

1. Tarkasta ja huolla ruohonleikkuri säännöllisesti.
2. Varmista laitteen käyttöturvallinen kunto tarkistamalla, että kaikki mutterit, pultit ja ruuvit ovat tiukasti kiinni.
3. Tarkista säännöllisesti, ettei ruohosäiliössä ole kulumia tai murtumia. Tarkista ennen laitteen asettamista säilöön, että ruohosäiliö on tyhjä. Kulunut ruohosäiliö on turvallisuussyistä korvattava tehdasuudella.
4. Käytä vain valmistajan tässä ohjeessa ilmoittamia teriä.
5. Varo laitteen säätämisen aikana, etteivät sormesi jää pyörivien terien ja ruohonleikkurin kiinteiden osien väliin.
6. Tarkista säännöllisesti, että terän kiinnityspultit ovat riittävän kireällä.
7. Anna ruohonleikkurin jäähtyä, ennen kuin siirät sen varastoon.
8. Kun huollat teriä, muista, että vaikka virta on katkaistu, terät voivat silti liikkuu.
9. Älä koskaan poista tai peukaloi turvalaitteita. Tarkista säännöllisesti, että ne toimivat oikein. Älä koskaan yritä vaikuttaa turvalaitteiden tarkoituksenmukaiseen toimintaan tai heikentää turvalaitteen toimivuutta.

10. Älä jätä laitetta ulos sateeseen ja valvomatta.
11. Älä pese laitetta korkeapaineisella vesisuihkulla.
12. Kun peset laitteen, irrota akku, poista lukitus-avain ja sulje akun suojakansi ennen pesua ja kaada laitteen päälle vettä niin, että se valuu laitteen pohjaa eli terän kiinnityskohtaa kohti.
13. Kun varastoit laitteen, vältä sijoittamasta sitä paikkaan, jossa se altistuu suoralle auringonpaisteelle, sateelle, kuumuudelle tai kosteudelle.
14. Tee tarkistukset ja huoltotoimet paikassa, joka on suojassa sateelta.
15. Irrota kiinni jäänyt lika laitteesta ja kuivaa laite huolellisesti ennen sen varastointia. Muutoin voi olla olemassa riski jäätymisestä johtuvalle toimintahäiriöllä vuodenajasta ja alueesta riippuen.

Sähköturvallisuus ja akku

1. Älä avaa tai riko akkuja. Akusta mahdollisesti vuotava elektrolyytti on syövyttävää ja saattaa vaurioittaa ihoa tai silmiä. Se saattaa olla myrkyllistä nieltynä.
2. Älä lataa akkua sateessa tai kosteissa olosuhteissa.
3. Älä lataa akkua ulkona.
4. Älä käsittele laturia tai sen liitinosaa ja latausliittimiä märin käsin.
5. Älä vaihda akkua sateessa.
6. Älä kastele akun liittimiä nesteellä, kuten vedellä, äläkä upota akkua nesteeseen. Älä jätä akkua sateeseen, äläkä lataa tai käytä akkua kosteassa tai märässä paikassa tai varstoi sitä tällaiseen paikkaan. Jos liitin kastuu tai akun sisälle pääsee nestettä, akku voi mennä oikosulkuun, mikä aiheuttaa ylikuumentumisen, tulipalon tai räjähdyksen vaaran.
7. Kun akku on poistettu laitteesta tai laturista, kiinnitä akun suojakansi akkuun ja varstoi se kuivaan paikkaan.
8. Älä vaihda akkua märin käsin.
9. Vältä vaarallisia ympäristöjä. Älä käytä konetta kosteissa tai märissä paikoissa äläkä altista sitä sateelle. Koneen sisään päässyt vesi lisää sähköiskun vaaraa.
10. Jos akkupaketti kastuu, valuta vesi pois sen sisältä ja kuivaa se sitten kuivalla kankaalla. Kuivaa akkupaketti kokonaan kuivassa paikassa ennen käyttöä.

SÄILYÄ NÄMÄ OHJEET.

VAROITUS: ÄLÄ anna työkalun helppokäyttöisyyden (toistuvan käytön aikaansaama) johtaa sinua väärään turvallisuuden tunteeseen niin, että laiminlyöt työkalun turvaohjeiden noudattamisen. VÄÄRINKÄYTTÖ tai tässä käyttöohjeessa ilmoitettujen turvamääräysten laiminlyönti voi aiheuttaa vakavia henkilövahinkoja.

Akkupakettia koskevia tärkeitä turvaohjeita

1. Ennen akun käyttöönottoa tutustu kaikkiin laturissa (1), akussa (2) ja akkukäyttöisessä tuotteessa (3) oleviin varoitusteksteihin.
2. Älä pura tai peukalo imuria akkupakettia. Se voi johtaa tulipaloon, ylikuumentumiseen tai räjähdykseen.
3. Jos akun toiminta-aika lyhenee merkittävästi, lopeta akun käyttö. Seurauksena voi olla ylikuumentuminen, palovammoja tai jopa räjähdys.
4. Jos akkuneustettä pääsee silmiin, huuhtele puhtaalla vedellä ja hakeudu välittömästi lääkärin hoitoon. Akkuneuste voi aiheuttaa näön menetyksen.
5. Älä oikosulje akkua.
 - (1) Älä koske akun napoihin millään sähköä johtavalla materiaalilla.
 - (2) Vältä akun oikosulkemista äläkä säilytä akkua yhdessä muiden metalliesineiden, kuten naulojen, kolikoiden ja niin edelleen kanssa.
 - (3) Älä aseta akkua alttiiksi vedelle tai sateelle.Oikosulku voi aiheuttaa virtapiikin, ylikuumentumista, palovammoja tai laitteen rikkoutumisen.
6. Älä säilytä ja käytä työkalua ja akkupakettia paikassa, jossa lämpötila voi nousta 50 °C:een (122 °F) tai korkeammaksi.
7. Älä hävitä akkua polttamalla, vaikka se olisi pahoin vaurioitunut tai täysin loppuun kulunut. Avotuli voi aiheuttaa akun räjähtämisen.
8. Älä naulaa, leikkaa, purista, heitä tai pudota akkupakettia tai iske sitä kovia esineitä vasten. Tällaiset toimet voivat johtaa tulipaloon, ylikuumentumiseen tai räjähdykseen.
9. Älä käytä viallista akkua.
10. Sisältyviä litium-ioni-akkua koskevat vaarallisten aineiden lainsäädännön vaatimukset. Esimerkiksi kolmansien osapuolten huolintaliikkeiden tulee kaupallisissa kuljetuksissa noudattaa pakkaamista ja merkintöjä koskevia erityisvaatimuksia.

Lähetettävän tuotteen valmistelu edellyttää vaarallisten aineiden asiantuntijan neuvontaa. Huomioi myös mahdollisesti yksityiskohtaisemmat kansalliset määräykset

Akun avoimet liittimet tulee suojata teipillä tai suojuksella ja pakkaaminen tulee tehdä niin, ettei akku voi liikkua pakkauksessa.
11. Kun akkupaketti on hävitettävä, poista se laitteesta ja hävitä se turvallisesti. Hävitä akku paikallisten määräysten mukaisesti.
12. Käytä akkuja vain Makitan ilmoittamien tuotteiden kanssa. Akkujen asentaminen yhteensopimattomiin tuotteisiin voi aiheuttaa tulipalon, liiallisen ylikuumentumisen, räjähdyksen tai akkuneustevuotoja.
13. Jos laitetta ei käytetä pitkään aikaan, akku on poistettava laitteesta.

14. Akkupaketin lämpötila voi käytön aikana ja sen jälkeen nousta niin kuumaksi, että se voi aiheuttaa palovammoja tai lieviä palovammoja. Käsittele kuumia akkupaketteja huolellisesti.
15. Älä kosketa työkalun liitintä välittömästi käytön jälkeen, sillä se voi olla riittävän kuumaa aiheuttamaan palovammoja.
16. Älä päästä lastuja, pölyä tai maata akkupaketin liittämiin, aukkoihin ja uriin. Se voi johtaa työkalun tai akkupaketin lämpenemiseen, syttymiseen, purkautumiseen tai toimintahäiriöön, mikä voi aiheuttaa palovammoja tai vammoja.
17. Ellei työkalu tue käyttöä korkeajännitelinjojen lähellä, älä käytä akkupakettia korkeajännitelinjojen lähellä. Se voi johtaa työkalun tai akkupaketin toimintahäiriöön tai rikkoutumiseen.
18. Pidä akku pois lasten ulottuvilta.

SÄILYTÄ NÄMÄ OHJEET.

⚠HUOMIO: Käytä vain alkuperäisiä Makita-akkuja. Muiden kuin aitojen Makita-akkujen, tai mahdollisesti muutettujen akkujen käyttö voi johtaa akun murtumiseen ja aiheuttaa tulipaloja, henkilö- ja omaisuusvahinkoja. Se mitätöi myös Makita-tökalun ja -laturin Makita-takuun.

Vihjeitä akun käyttöön pidentämiseksi

1. Lataa akku ennen kuin se purkautuu täysin. Lopeta aina työkalun käyttö ja lataa akku, jos huomaat työkalun tehon vähenevän.
2. Älä koskaan lataa uudestaan täysin ladattua akkua. Ylilataaminen lyhentää akun käyttöikää.
3. Lataa akku huoneen lämpötilassa välillä 10 °C - 40 °C. Anna kuuman akun jäähtyä ennen lataamista.
4. Irrota akkupaketti työkalusta tai laturista, kun sitä ei käytetä.
5. Lataa akkupaketti, jos et käytä sitä pitkään aikaan (yli kuusi kuukautta).

KOKOONPANO

⚠VAROITUS: Varmista aina ennen ruohonleikkurin huolto- ja korjaustoimia, että lukitusavain ja akkupaketti on irrotettu. Jos lukitusavainta ja akkua ei irroteta, laite voi käynnistyä vahingossa ja aiheuttaa vakavia vammoja.

⚠VAROITUS: Älä koskaan käynnistä ruohonleikkuria, jos sen kaikkia osia ei ole täysin asennettu. Jos kaikki osat eivät ole paikallaan, kone voi käynnistyä tahattomasti ja aiheuttaa vakavia vammoja.

Akun suojuksen asennus

⚠VAROITUS: Älä aseta lukitusavainta ja akkupakettia paikalleen ennen akun suojuksen asentamista. Jos näin ei toimita, seurauksena voi olla vakavia vammoja.

Asenna akun kansi kokonaan ennen käyttöä. Akun kansi suo-
jaa ruohonleikkuria ja akkupakettia mudalta, lialta ja vedeltä.

1. Aseta akun kansi niin, että ruohonleikkurin ulok-
keet asettuvat linjaan akun kannen reikiin kanssa.

► **Kuva1:** 1. Uloke 2. Reikä 3. Akun suojus

2. Aseta molemmat kätesi akun suojuksen keskikoh-
taan ja paina sitä.

► **Kuva2**

3. Tarkista ennen ensimmäistä käyttökertaa, että
akun suojuksen saranakohta on liitetty oikein. Jos akun
kansi on asennettu oikein, se ei aukea, ennen akun
kannen lukitusvipua vedetään.

► **Kuva3:** 1. Saranakohta 2. Akun suojuksen
lukitusvipu

Kahvan asentaminen

HUOMAUTUS: Kun asennat kahvoja, sijoita
liitäntäjohtot siten, etteivät ne voi tarttua mihin-
kään kahvojen välissä. Jos virtajohto vaurioitu-
nut, ruohonleikkurin kytkin ei ehkä toimi.

1. Työnnä molemmat päät ruohonleikkurin alemman
kahvan uriin ja kiristä sitten kiristysruuvit.

► **Kuva4:** 1. Kiristysruuvi 2. Alakahva

2. Kohdista ylemmän kahvan ja alemman kahvan
ruuvinriät. Kiinnitä ne kiristysruuveilla ja -muttereilla.

► **Kuva5:** 1. Kiristysmutteri 2. Kiristysruuvi

HUOMAA: Pidä yläkahvaa lujasti niin, ettei se putoa
kädestäsi.

3. Kiinnitä pidikkeet kahvaan. Sijoita virtajohto kuvan
mukaan.

► **Kuva6:** 1. Kannatin

Levitysosan irrottaminen

Lisävaruste

1. Avaa takakansi.

► **Kuva7:** 1. Takakansi

2. Ota kiinni levitysosan kahvasta ja vedä sitten
levitysosa irti ruohonleikkurista kuvan mukaisesti.

► **Kuva8:** 1. Levitysosa 2. Kahva

Ruohosäiliön asentaminen

1. Avaa takakansi.

► **Kuva9:** 1. Takakansi

2. Ripusta ruohosäiliö ruohonleikkurin rungossa
olevaan tankoon kuvan mukaisesti.

► **Kuva10:** 1. Koukku 2. Tanko 3. Ruohosäiliö

Levitysosan kiinnittäminen

Lisävaruste

1. Avaa takakansi ja irrota ruohosäiliö.

► **Kuva11:** 1. Takakansi 2. Ruohosäiliö

2. Ota kiinni levitysosan kahvasta ja kiinnitä levitys-
osa sitten ruohonleikkuriin kuvan mukaisesti.

► **Kuva12:** 1. Levitysosa 2. Kahva

TOIMINTOJEN KUVAUS

Akun asentaminen tai irrottaminen

▲HUOMIO: Sammuta kone aina ennen akkupa-
ketin kiinnittämistä tai irrottamista.

▲HUOMIO: Varmista ennen käyttöä, että akun
suojaus on lukittu. Muuten muta, hiekka tai vesi voisi
vaurioittaa tuotetta tai akkua.

▲HUOMIO: Työnnä akkupaketti aina pohjaan
asti, niin että punainen ilmaisin ei enää näy.
Jos akku ei ole kunnolla paikallaan, se voi pudota
koneesta ja aiheuttaa vammoja joko sinulle tai
sivullisille.

▲HUOMIO: Älä käytä voimaa akun asennuk-
sessa. Jos akku ei liu'u paikalleen helposti, se on
väärässä asennossa.

HUOMAA: Kone ei toimi vain yhdellä akkupaketilla.

Akun kiinnittäminen paikalleen;

1. Liu'uta akun suojuksen lukitusvipua itseäsi kohti ja
avaa akun suojuksen.

► **Kuva13:** 1. Akun suojuksen lukitusvipu

2. Kohdista akkupaketin kieleke ruohonleikkurin
rakoon ja liu'uta sitten akkupakettia, kunnes se lukittuu
paikalleen naksauttaen.

► **Kuva14:** 1. Akkupaketti

3. Työnnä lukitusavain paikalleen niin pitkälle kun
sen menee.

► **Kuva15:** 1. Lukitusavain

4. Sulje akun kansi ja työnnä sitä, kunnes se lukittuu
lukitusvivulla.

Akun irrottaminen ruohonleikkurista;

1. Liu'uta akun suojuksen lukitusvipua itseäsi kohti ja
avaa akun suojuksen.

2. Irrota akku painamalla akkupaketin etupolella
olevaa painiketta ja vetämällä akku ulos työkalusta.

3. Vedä lukitusavain irti.

4. Sulje akun suojuksen.

Koneen/akun suojausjärjestelmä

Kone on varustettu koneen/akun suojausjärjestelmällä.
Tämä järjestelmä pidentää työkalun ja akun käyttöikää
katkaisemalla automaattisesti moottorin virran. Kone
pysähtyy automaattisesti kesken käytön, jos siinä tai
akussa ilmenee jokin seuraavista tilanteista.

Ylikuormitussuoja

Kun konetta käytetään tavalla, jossa virrankulutus on
suuri, kone pysähtyy automaattisesti ilmoittamatta
tästä. Katkaise tässä tilanteessa koneesta virta ja
lopeta ylikuormitustilan aiheuttanut käyttö. Käynnistä
sitten kone uudelleen kytkemällä siihen virta.

Ylikuumenemissuoja

Kun kone ylikuumenee, se pysähtyy automaattisesti. Anna koneen jäähtyä, ennen kuin kytket sen uudelleen päälle.

Ylipurkautumissuoja

Jos akkukapasiteetti käy vähiin, kone pysähtyy automaattisesti. Jos tuote ei toimi, vaikka kytkimiä käytetään, irrota akut koneesta ja lataa ne.

Akun jäljellä olevan varaustason ilmaisin

► Kuva16: 1. Akun ilmaisin

















Kun akkukapasiteetti käy vähiin, vastaavan akun puoleinen merkkivalo alkaa vilkkua. Jos käyttöä jatketaan, kone pysähtyy ja akun merkkivalo syttyy. Lataa tässä tilanteessa akkupaketti.

Akun jäljellä olevan varaustason ilmaisin

Vain akkupaketeille ilmaisimella

Painamalla tarkistuspainiketta saat näkyviin akun jäljellä olevan varausten. Merkkivalot palavat muutaman sekunnin ajan.

► Kuva17: 1. Merkkivalot 2. Tarkistuspainike

Merkkivalot			Akussa jäljellä olevan varaus
 Palaa	 Pois päältä	 Vilkkuu	
			75% - 100%
			50% - 75%
			25% - 50%
			0% - 25%
			Lataa akku.
 	 		Akussa on saattanut olla toimintahäiriö.

HUOMAA: Ilmoitettu varaustaso voi erota hieman todellisesta varaustasosta sen mukaan, millaisissa oloissa ja missä lämpötilassa laitetta käytetään.

HUOMAA: Ensimmäinen (vasemmanpuoleisin) merkkivalo vilkkuu, kun akun suojausjärjestelmä on toiminnassa.

Kytkimen käyttäminen

VAROITUS: Tarkista aina ennen akkupaketin asentamista paikalleen, että kytkinvipu kytketty oikein ja palaa alkuperäiseen asentoonsa, kun se vapautetaan. Jos konetta käytetään, kun kytkin ei toimi moitteettomasti, seurauksena voi olla hallinnan menetys ja vakava henkilövahinko.

HUOMAA: Ruohonleikkuri ei käynnisty painamatta katkaisinpainiketta, vaikka kytkinvipua vedetään.

HUOMAA: Ruohonleikkuri ei ehkä käynnisty ylikuormituksen vuoksi, kun yrität leikata pitkää tai tiheää ruohoa liiallisesti. Lisää tässä tapauksessa leikkuukorkeutta.

Tämä leikkuri on varustettu lukituskatkaisimella ja kahvassa olevalla katkaisimella. Jos jommankumman katkaisimen toiminnassa ilmenee jotakin epätavallista, lopeta laitteen käyttö heti ja pyydä valtuutettua Makita-huoltoliikettä tarkastamaan laite.

1. Asenna akkupaketti paikalleen. Työnnä lukitusavain lukituskatkaisimeen ja sulje akun suojus.

► Kuva18: 1. Akkupaketti 2. Lukitusavain

2. Paina kytkin pohjaan ja pidä painettuna.

3. Tartu yläkahvaan ja vedä kytkinvipua.

► Kuva19: 1. Kytkinpainike 2. Kytkinvipu

4. Vapauta kytkinpainike heti, kun moottori alkaa pyöriä. Ruohonleikkuri toimii, kunnes vapautat kytkinvivun.

5. Sammuta moottori vapauttamalla kytkinvipua.

Leikkuusyvyyden säätäminen

VAROITUS: Älä koskaan työnnä jalkojasi tai käsiäsi ruohonleikkurin rungon alle leikkuukorkeuden säädön aikana.

VAROITUS: Varmista aina ennen käyttöä, että vipu sopii uraan.

Leikkuukorkeuden säätöalue on 20 mm – 75 mm.

1. Irrota lukitusavain.

2. Vedä leikkuukorkeuden säätövipua ulospäin ruohonleikkurista ja siirrä se haluamasi leikkuukorkeuden kohdalle.

► Kuva20: 1. Leikkuukorkeuden säätövipu

HUOMAA: Leikkuukorkeuden arvoja tulee käyttää vain ohjeellisinä. Riippuen nurmikon tai maanpinnan kunnosta, todellinen nurmikon korkeus saattaa olla hieman erilainen kuin asetettu korkeus.

HUOMAA: Kokeile leikkuukorkeutta ensin nurmikon syrjäisemmässä osassa.

Ruohomäärän ilmainen

► Kuva21: 1. Ruohomäärän ilmainen

Ruohomäärän ilmainen näyttää leikatun ruohon määrän.

- Jos ruohosäiliö ei ole täynnä, ilmainen liikkuu leikkuun aikana.
- Jos ruohosäiliö on täynnä, ilmainen ei liiku leikkaamisen aikana. Lopeta silloin leikkaaminen heti ja tyhjennä säiliö. Kun olet tyhjentänyt ruohosäiliön, puhdista se, jotta sen verkkoseinät päästävät ilman lävitseen.

HUOMAA: Tämä ilmainen on vain karkea ohje. Säiliön sisäisen tilanteen mukaan ilmainen ei ehkä toimi oikein kaikissa tilanteissa.

Levitysosan käyttäminen

Lisävaruste

Levitysosaa käyttämällä leikatun ruohon voi palauttaa maahan keräämättä sitä ruohosäiliöön. Kun käytät levitysosaa koneessa, muista irrottaa ruohosäiliö.

HUOMAUTUS: Kun käytät konetta levitysosan kanssa, varmista, että ruohon pituus leikkuun jälkeen on vähintään 30 mm ja että leikkauspituus on enintään 15 mm.

► Kuva22: (1) Vähintään 30 (2) Enintään 15

TYÖSKENTELY

Ruohonleikkuu

VAROITUS: Poista kepit ja kivet leikkuualueelta ennen leikkuun aloittamista. Poista myös rikkaruohot alueelta ennen ruohon leikkaamista.

VAROITUS: Käytä sivusuojilla varustettuja suojalaseja aina, kun käytät ruohonleikkuria.

HUOMIO: Jos leikattu ruoho tai vierasesineet aiheuttavat tukoksen ruohonleikkurin rungossa, poista lukitusavain ja irrota akkupaketti ennen kuin alat poistaa ruohoa tai vierasesineitä. Käytä käsineitä poiston aikana.

HUOMAUTUS: Käytä tätä konetta vain ruohon leikkaamiseen. Älä leikkaa rikkakasveja tällä koneella.

► Kuva23

Pidä kahvasta tukevasti molemmin käsin kiinni leikkuun aikana.

Suositteltu leikkunopeus on noin 1 metri 4 sekunnissa.

► Kuva24

Etupyörien ulkoreunat toimivat leikkuuleveyden oppaana. Leikkaa nurmikko kaista kerrallaan käyttämällä etupyörien ulkoreunoja kaistan leikkuuleveyden oppaana. Limitä uusi kaista noin kolmasosasta puoleen väliin edellisen kaistan kanssa, niin leikatusta nurmikosta tulee tasainen.

► Kuva25: 1. Leikkuuleveys 2. Limitäinen alue 3. Ulkoreuna

Vaihda leikkusuuntaa joka kaistalle, jotta leikkukuviot ei ole vain yksisuuntaiset.

► Kuva26

Tarkista aika ajojen ruohosäiliöstä leikattu ruohomäärä. Tyhjennä ruoho, ennen kuin se on täynnä. Varmista ennen tarkastusta, että ruohonleikkuri on pysäytetty ja lukitusavain ja akkupaketti on irrotettu.

HUOMAUTUS: Jos ruohonleikkuria käytetään täysinlaisella ruohosäiliöllä, terä ei pääse pyörimään esteettä, mikä rasittaa moottoria ja voi vaurioittaa sitä.

Pitkän ruohon leikkaaminen

Älä yritä leikata pitkäksi kasvanutta nurmikko kokonaan yhdellä leikkukerralla. Leikkaa sen sijaan nurmikko useammassa vaiheessa. Jätä päivä tai kaksi leikkukertojen väliin, kunnes nurmikko tulee tasaisen lyhyeksi.

HUOMAA: Pitkän ruohon leikkaaminen lyhyeksi yhdellä kerralla voi aiheuttaa ruohon kuolemisen. Ruoho voi myös tukkia ruohonleikkurin rungon sisäpuolella.

Ruohosäiliön tyhjentäminen

VAROITUS: Onnettomuusriskin pienentämiseksi ruohosäiliön kuntoa tulee valvoa jatkuvasti ja vaurioitunut tai heikentynyt säiliö on tarvittaessa vaihdettava. Vaihda ruohosäiliö tarvittaessa.

1. Vapauta kytkinvipu.
 2. Irrota lukitusavain.
 3. Avaa takakansi, tartu ruohosäiliön kahvaan ja vedä ruohosäiliö irti.
- Kuva27: 1. Takakansi 2. Kahva
4. Tyhjennä ruohosäiliö.

KUNNOSSAPITO

VAROITUS: Varmista aina ennen ruohonleikkurin varastoimista tai kantamista tai sen tarkastus- tai huoltotoimien aloittamista, että lukitusavain ja akkupaketti on irrotettu ruohonleikkurista.

VAROITUS: Poista aina lukitusavain, kun leikkuri ei ole käytössä. Säilytä lukitusavainta turallisessa paikassa lasten ulottumattomissa.

VAROITUS: Käytä käsineitä tarkastuksen ja huollon aikana.

VAROITUS: Käytä sivusuojilla varustettuja suojalaseja aina, kun käytät teet tarkastus- tai huoltotoimia.

HUOMAUTUS: Älä koskaan käytä bensiiniä, ohenteita, alkoholia tai tms. aineita. Muutoin pinta voi halkeilla tai sen värit ja muoto voivat muuttua. Muutoin laitteeseen voi tulla värjäytyksiä, muodon vääristymiä tai halkeamia.

Tuotteen TURVALLISUUDEN ja LUOTETTAVUUDEN takaamiseksi korjaukset, muut huoltotyöt ja säädöt on teetettävä Makitan valtuutetussa huoltopisteessä Makitan varaosia käyttäen.

Huolto

1. Irrota lukitusavain. Säilytä sitä turvallisessa paikassa lasten ulottumattomissa.
2. Puhdista ruohonleikkuri vain kostealla liinalla. Älä ruiskuta tai kaada vettä ruohonleikkurin päälle puhdistuksen aikana.
3. Käännä ruohonleikkuri kyljelleen ja puhdista ruohonleikkurin kotolon pohjaan kerääntynyt ruohosilppu.
4. Tarkista kaikkien mutterien, pulttien, nuppien, ruuvien, kiinnikkeiden ym. kireys.
5. Tarkista, etteivät liikkuvat osat ole vaurioiden, murtumien tai kulumien varalta. Vaurioituneet tai puuttuvat osat tulee korjata tai vaihtaa.

Säilytys

VAROITUS: Älä kannna ruohonleikkuria taivutetuista kahvoista tai säilytä sitä niiden varassa. Käytä niiden sijaan ruohonleikkurin etukahvaa. Ruohonleikkurin nostaminen taivutetuista kahvoista voi vaurioittaa laitetta tai aiheuttaa vakavia vammoja.

Irrota akkupaketti ja poista lukitusavain ennen ruohonleikkurin asettamista varastoon. Säilytä ruohonleikkuria sisätiloissa viileässä, kuivassa ja lukitussa paikassa. Älä säilytä ruohonleikkuria ja laturia paikassa, jossa lämpötila voi nousta 40 °C:een tai sitä korkeammaksi.

► **Kuva28:** 1. Etukahva 2. Takakahva

1. Löysää kiristysruuvit ja levitä alakahva molemmille puolille. Siirrä kahvaa alas eteenpäin. Pidä nyt tukevasti kiinni alakahvasta niin, ettei se pääse putoamaan ruohonleikkurin rungon etäisemmälle puolelle.

► **Kuva29:** 1. Kiristysruuvi 2. Alakahva

2. Löysää kiristysmuttereita ja käännä yläkahvaa taakse levittäen samalla molemmille puolille.

► **Kuva30:** 1. Kiristysmutteri 2. Yläkahva

3. Säilytä ruohosäiliötä kahvan ja ruohonleikkurin rungon välissä.

► **Kuva31:** 1. Ruohosäiliö

HUOMAA: Kun asetat ruohonleikkurin pystysuoraan asentoon, älä pidä kiinni kahvasta, vaan ruohonleikkurin etukahvasta.

Ruohonleikkuterän irrotus ja asentaminen

VAROITUS: Irrota lukitusavain ja akku aina ennen terän irrottamista ja asentamista. Jos lukitusavainta ja akkupakettia ei irroteta, seurauksena voi olla vakavia vammoja.

VAROITUS: Terä pyörii vielä muutaman sekunnin ajan kytkimen vapauttamisen jälkeen. Älä aloita mitään toimenpidettä, ennen kuin terä on täysin pysähtynyt.

VAROITUS: Käytä aina suojakäsineitä, kun käsittelet terää.

Ruohonleikkurin terän irrottaminen

Malli DLM382

1. Käännä ruohonleikkuri kyljelleen siten, että leikkukorkeuden säätövipu tulee yläpuolelle.
2. Voit lukita terän pyörimisen työntämällä ruuvitaltan tai vastaavan työkalun ruohonleikkurin rungossa olevaan reikään.
3. Kierrä pulttia vastapäivään kiintoavaimella.
► **Kuva32:** 1. Ruohonleikkurin terä 2. Ruuvitaltta 3. Kiintoavain
4. Irrota järjestyksessä pultti ja terä.
► **Kuva33:** 1. Terän tuki 2. Ruohonleikkurin terä 3. Pultti

Malli DLM432

1. Käännä ruohonleikkuri kyljelleen siten, että leikkukorkeuden säätövipu tulee yläpuolelle.
2. Voit lukita terän pyörimisen työntämällä ruuvitaltan tai vastaavan työkalun ruohonleikkurin rungossa olevaan reikään.
3. Kierrä pulttia vastapäivään kiintoavaimella.
► **Kuva34:** 1. Ruohonleikkurin terä 2. Ruuvitaltta 3. Kiintoavain
4. Irrota pultti, ulkolaippa, ruohonleikkuterä ja sisälaippa järjestyksessä.
► **Kuva35:** 1. Sisälaippa 2. Ruohonleikkurin terä 3. Ulkolaippa 4. Pultti

Ruohonleikkurin terän kiinnittäminen

Ruohonleikkuterä asennetaan päinvastaisessa järjestyksessä.

VAROITUS: Asenna ruohonleikkurin terä huolellisesti. Siinä on ylä-/alapuoli. Asenna terä siten, että terän pyörimissuuntanuoli osoittaa ulospäin.

VAROITUS: Kiinnitä sitten terä paikalleen kiristämällä mutteri tiukasti myötäpäivään kiertäen.

VAROITUS: Varmista, että ruohonleikkurin terä ja kaikki kiinnitysosat on asennettu oikein ja kunnolla kiristetty.

VAROITUS: Kun vaihdat teriä, noudata aina tämän oppaan ohjeita.

VIANMÄÄRITYS

Tarkista laite ensin itse, ennen kuin viet sen korjattavaksi. Jos ongelmaan ei löydy ratkaisua käyttöoppaasta, älä kuitenkaan yritä purkaa työkalua osiin. Ota sen sijaan yhteyttä Makita-huoltoliikkeeseen. Käytä korjaamiseen aina alkuperäisiä Makita-varaosia.

Epänormaali tila	Todennäköinen syy (toimintahäiriö)	Korjaus
Ruohonleikkuri ei käynnisty.	Kahta akkupakettia ei ole asennettu.	Asenna ladatut akkupaketit paikalleen.
	Akkuongelma (alijännite)	Lataa akkupaketti. Jos lataaminen ei toimi tehokkaasti, vaihda akkupakettia.
	Lukitusavain ei ole paikallaan.	Laita lukitusavain paikalleen.
Moottori pysähtyy lyhyen käytön jälkeen.	Akun varaustila on alhainen.	Lataa akkupaketti. Jos lataaminen ei toimi tehokkaasti, vaihda akkupakettia.
	Leikkuukorkeus on liian alhainen.	Nosta leikkuukorkeutta.
Moottori ei saavuta suurinta kierroslukua.	Akkupaketti on asennettu väärin.	Asenna akkupaketti tämän käyttöohjeen ohjeiden mukaan.
	Akun teho laskee.	Lataa akkupaketti. Jos lataaminen ei toimi tehokkaasti, vaihda akkupakettia.
	Vetojärjestelmä ei toimi oikein.	Pyydä valtuutettua huoltoliikettäsi korjaamaan laite.
Ruohonleikkurin terä ei pyöri: ⇒ pysäytä ruohonleikkuri välittömästi!	Vieras esine, esimerkiksi oksa, on juuttunut lähelle terää.	Poista vieras esine.
	Vetojärjestelmä ei toimi oikein.	Pyydä valtuutettua huoltoliikettäsi korjaamaan laite.
Epänormaali tärinä: ⇒ pysäytä ruohonleikkuri välittömästi!	Terä on epätasapainossa, liiallisesti tai epätasaisesti kulunut.	Vaihda terä.

LISÄVARUSTEET

⚠HUOMIO: Seuraavia lisävarusteita tai laitteita suositellaan käytettäväksi tässä ohjeessa kuvatun Makita-työkalun kanssa. Muiden lisävarusteiden tai laitteiden käyttö voi aiheuttaa henkilövahinkoja. Käytä lisävarusteita ja -laitteita vain niiden käyttötarkoituksen mukaisesti.

Jos tarvitset apua tai yksityiskohtaisempia tietoja seuraavista lisävarusteista, ota yhteys paikalliseen Makitan huoltoon.

- Ruohonleikkurin terä
- Levitysosa
- Aito Makita-akku ja -laturi

HUOMAA: Jotkin luettelossa mainitut varusteet voivat sisältyä työkalun toimitukseen vakiovarusteina. Ne voivat vaihdella maittain.

SPECIFIKATIONER

Model:	DLM382	DLM432
Klippebredde (diameter af bladet)	380 mm	430 mm
Omdrejninger uden belastning	3.700 min ⁻¹	3.600 min ⁻¹
Artikelnummer på reserveblad til plæneklipper	191D41-2	191D43-8
Mål (L x B x H)	under anvendelse	L: 1.380 mm til 1.410 mm B: 450 mm H: 985 mm til 1.005 mm
	under opbevaring (uden græskurv)	860 mm x 450 mm x 475 mm
Mærkespænding	36 V DC	
Nettovægt	15,5 - 16,5 kg	16,0 - 16,9 kg

- På grund af vores kontinuerlige forsknings- og udviklingsprogrammer kan hosstående specifikationer blive ændret uden varsel.
- Specifikationer kan variere fra land til land.
- Vægten kan være anderledes afhængigt af tilbehøret, inklusive akkuen. Den letteste og tungeste kombination i henhold til EPTA-procedure 01/2014 er vist i tabellen.

Anvendelig akku og oplader

Akku	BL1830B / BL1840B / BL1850B / BL1860B
Oplader	DC18RC / DC18RD / DC18RE / DC18SD / DC18SE / DC18SF / DC18SH / DC18WC

- Nogle af de akkuer og opladere, der er angivet ovenfor, er muligvis ikke tilgængelige, afhængigt af hvilket område du bor i.

⚠ ADVARSEL: Brug kun de akkuer og opladere, der er angivet ovenfor. Brug af andre akkuer og opladere kan medføre personskaade og/eller brand.

⚠ ADVARSEL: Brug ikke en ledningstilsluttet strømforsyning som fx en batteriadapter eller bærbar strømforsyningsenhed med denne maskine. Ledningen til en sådan strømforsyning kan muligvis hindre brugen og forårsage personskaade.

Symboler

Følgende viser de symboler, der muligvis anvendes til udstyret. Sørg for, at du forstår deres betydning før brugen.

	Udvis særlig forsigtighed og opmærksomhed.
	Læs betjeningsvejledningen.
	Fare; pas på kastede genstande.
	Afstanden mellem maskinen og omkringstående skal være mindst 15 m.
	Undlad at anbringe hænder og fødder i nærheden af plæneklipperbladet under plæneklipperen. Plæneklipperbladene fortsætter med at rotere, efter at motoren er slukket.
	Fjern låsenøglen, inden De inspicerer, justerer, rengør, servicerer og forlader plæneklipperen eller stiller den til opbevaring.

	Advarsel; Afbryd batteriet inden vedligeholdelse.
	Garanteret lydeffektniveau i henhold til EU-direktivet om maskiner til udendørs brug.
	Lydeffektniveau i henhold til Australiens NSW forordning om støjemission
	Kun for lande inden for EU På grund af tilstedeværelsen af farlige komponenter i udstyret kan affald af elektrisk og elektronisk udstyr, akkumulatører og batterier have en negativ indvirkning på miljøet og folkesundheden. Bortskaf ikke elektriske og elektroniske apparater eller batterier sammen med husholdningsaffald! I overensstemmelse med EF-direktiv om affaldshåndtering af elektrisk og elektronisk udstyr og om akkumulatører og batterier og affaldsakkumulatører og -batterier, og i overensstemmelse med national lovgivning, skal brugt elektrisk udstyr, batterier og akkumulatører opbevares separat og leveres til et separat indsamlingssted for kommunalt affald, der er etableret i henhold til bestemmelserne om miljøbeskyttelse. Dette er angivet ved symbolet på den krydsede skraldespand, der er placeret på udstyret.

Tilsigtet anvendelse

Maskinen er beregnet til at slå græs.

Støj

Det typiske A-vægtede støjniveau bestemmes i overensstemmelse med EN IEC 62841-4-3:

Model	Målt lydeffektniveau (L_{WA}): (dB(A))	Garanteret lydeffektniveau (L_{WA}): (dB(A))
DLM382	91	94
DLM432	92	95

Model	Lydtrykniveau (L_{pA}): (dB(A))	Usikkerhed for lydtrykniveau (K): (dB(A))
DLM382	81	3
DLM432	81	3

BEMÆRK: De(n) angivne støjemissionsværdi(er) er målt i overensstemmelse med en standardtestmetode og kan anvendes til at sammenligne en maskine med en anden.

BEMÆRK: De(n) angivne støjemissionsværdi(er) kan også anvendes i en præliminær eksponeringsvurdering.

⚠ ADVARSEL: Bær høreværn.

⚠ ADVARSEL: Støjemissionen under den faktiske anvendelse af maskinen kan være forskellig fra de(n) angivne værdi(er), afhængigt af den måde hvorpå maskinen anvendes, især den type arbejdsområde der behandles.

⚠ ADVARSEL: Sørg for at identificere de sikkerhedsforskrifter til beskyttelse af operatøren, som er baseret på en vurdering af eksponering under de faktiske brugsforhold (med hensyntagen til alle dele i brugscyklussen, f.eks. de gange, hvor maskinen er slukket, og når den kører i tomgang i tilgift til afbrydertiden).

Vibration

Vibrationens totalværdi (tre-aksial vektorsum) bestemmes i overensstemmelse med EN IEC 62841-4-3:

Model DLM382

Vibrationsemission (a_h): 2,5 m/s² eller mindre
Usikkerhed (K): 2,0 m/s²

Model DLM432

Vibrationsemission (a_h): 2,5 m/s² eller mindre
Usikkerhed (K): 1,5 m/s²

BEMÆRK: De(n) angivne totalværdi(er) for vibration er målt i overensstemmelse med en standardtestmetode og kan anvendes til at sammenligne en maskine med en anden.

BEMÆRK: De(n) angivne totalværdi(er) for vibration kan også anvendes i en præliminær eksponeringsvurdering.

⚠ ADVARSEL: Vibrationsemissionen under den faktiske anvendelse af maskinen kan være forskellig fra de(n) angivne værdi(er), afhængigt af den måde hvorpå maskinen anvendes, især den type arbejdsområde der behandles.

⚠ ADVARSEL: Sørg for at identificere de sikkerhedsforskrifter til beskyttelse af operatøren, som er baseret på en vurdering af eksponering under de faktiske brugsforhold (med hensyntagen til alle dele i brugscyklussen, f.eks. de gange, hvor maskinen er slukket, og når den kører i tomgang i tilgift til afbrydertiden).

Overensstemmelseserklæringer

Kun for lande i Europa

Overensstemmelseserklæringerne er inkluderet i Bilag A i denne brugsanvisning.

SIKKERHEDSADVARSLER

Almindelige sikkerhedsregler for el-værktøj

⚠ ADVARSEL Læs alle sikkerhedsadvarsler, instruktioner, illustrationer og specifikationer, der følger med denne maskine. Hvis du ikke følger alle nedenstående instruktioner, kan det medføre elektrisk stød, brand og/eller alvorlig personskade.

Gem alle advarsler og instruktioner til fremtidig reference.

Ordet "el-værktøj" i advarslerne henviser til det netforsynede (netledning) el-værktøj eller batteriforsynede (akku) el-værktøj.

Sikkerhedsadvarsler for akku-plæneklipper

1. **Undlad at bruge plæneklipperen under dårlige vejrforhold, især når der er risiko for lynnedslag.** Dette mindsker risikoen for at blive ramt af lynnedslag.
2. **Undersøg grundigt området for dyreliv, hvor plæneklipperen skal bruges.** Dyrelivet kan blive skadet af plæneklipperen under anvendelse.
3. **Undersøg det område grundigt, hvor plæneklipperen skal bruges, og fjern alle sten, pinde, ledninger, knogler og andre fremmedlegemer.** Udslyngede genstande kan forårsage personskade.
4. **Før du bruger plæneklipperen, skal du altid inspicere visuelt for at sikre, at bladet og bladmonteringen ikke er slidt eller beskadiget.** Slidte eller beskadigede dele øger risikoen for personskade.
5. **Kontroller ofte græskurven for slitage eller forringelse.** En slidt eller beskadiget græskurve kan øge risikoen for personskade.

6. **Hold afskærmninger på plads. Afskærmninger skal være i funktionsdygtig stand og være korrekt monteret.** En afskærmning, der er løs, beskadiget eller ikke fungerer korrekt, kan resultere i personskade.
7. **Hold alle køleluftåbninger fri for snavs.** Blokerede luftåbninger og snavs kan resultere i overophedning eller risiko for brand.
8. **Når du anvender plæneklipperen, skal du altid bære skridsikkert og beskyttende fodtøj. Undlad at betjene plæneklipperen, når du er barfodet eller iført åbne sandaler.** Dette reducerer risikoen for skade på fødderne ved kontakt med det bevægelige blad.
9. **Når du betjener plæneklipperen, skal du altid bære lange bukser.** Eksponeret hud øger sandsynligheden for skade som følge af udslyngede genstande.
10. **Undlad at betjene plæneklipperen i vådt græs. Gå, løb aldrig.** Dette reducerer risikoen for at glide og falde, hvilket kan resultere i personskade.
11. **Undlad at betjene plæneklipperen på for stejle skrånninger.** Dette reducerer risikoen for, at du mister kontrollen, glider og falder, hvilket kan resultere i personskade.
12. **Når du arbejder på skrånninger, skal du altid være sikker på dit fodfæste, altid arbejde på tværs af skrånninger, aldrig op eller ned og udvise ekstrem forsigtighed, når du skifter retning.** Dette reducerer risikoen for, at du mister kontrollen, glider og falder, hvilket kan resultere i personskade.
13. **Vær yderst forsigtig, når du bakker eller trækker plæneklipperen mod dig. Vær altid opmærksom på dine omgivelser.** Dette reducerer risikoen for at snuble under betjening.
14. **Undlad at røre ved blade og andre farlige bevægelige dele, mens de stadig er i bevægelse.** Dette reducerer risikoen for skader fra bevægelige dele.
15. **Når du fjerner fastklemt materiale eller rengør plæneklipperen, skal du sørge for, at alle afbrydere er slukket, og at akkuen er afbrudt.** Uventet betjening af plæneklipperen kan resultere i alvorlig personskade.
2. **Sæt ikke låsenøglen i plæneklipperen, før den er klar til brug.**
3. **Se efter huller, hjulspor, buler, sten eller andre skjulte genstande.** Ujævnt terræn kan forårsage et uheld, hvor du glider og falder. Højt græs kan skjule forhindringer.
4. **Undlad at indsætte eller fjerne låsenøglen i regnvejr.**

Drift

1. **Stop plæneklipperen og fjern låsenøglen, og sørg for, at alle bevægelige dele er stoppet helt**
 - når du forlader plæneklipperen;
 - før du fjerner blokeringer eller renser udledningsskakten;
 - før du kontrollerer, rengør eller arbejder på plæneklipperen.
2. **Hvis plæneklipperen rammer et fremmedlegeme, skal nedenstående trin følges:**
 - Stop plæneklipperen, slip afbryderarmen, og vent, indtil bladet stopper helt.
 - Fjern låsenøglen og akkuen.
 - Inspicér plæneklipperen grundigt for eventuelle skader.
 - Udskift bladet, hvis det er beskadiget på nogen måde. Reparér eventuelle skader, før du genstarter og fortsætter med at betjene plæneklipperen.
3. **Hvis plæneklipperen begynder at vibrere unormalt, eller hvis du bemærker noget usædvanligt, skal du straks følge disse trin:**
 - Stop plæneklipperen, slip afbryderarmen, og vent, indtil bladet stopper helt.
 - Fjern låsenøglen og akkuen.
 - Inspicér for skader, og udskift eller reparér eventuelle beskadigede dele.
 - Kontrollér for og tilspænd eventuelle løse dele.
4. **Anvend aldrig plæneklipperen med defekte dæksler eller skjolde eller uden sikkerhedsanordninger, f.eks. deflektor og/eller græskurv, på plads.**
5. **Anvend kun plæneklipperen i dagslys eller i god kunstig belysning.**
6. **Vær påpasselig med at starte plæneklipperen i overensstemmelse med instruktionerne og med fødderne på god afstand af bladet (bladene).**
7. **Pas på personskade på fødder og hænder fra plæneklipperbladene.**
8. **Stop bladet (bladene), hvis plæneklipperen skal vippes i transportøjemed, når andre overflader end græs krydses, og når plæneklipperen transporteres til og fra det område, hvor den skal anvendes.**
9. **Vip ikke plæneklipperen, når De tænder for motoren, undtagen hvis plæneklipperen skal vippes for at starte den. I dette tilfælde må den ikke vippes mere end absolut nødvendigt, og kun den del, der vender væk fra operatøren, må løftes. Sørg altid for, at begge hænder er i betjeningspositionen, før plæneklipperen sættes tilbage på jorden.**

Yderligere sikkerhedsadvarsler

Oplæring

1. **Læs instruktionerne omhyggeligt. Vær bekendt med kontrollerne og den korrekte brug af plæneklipperen.**
2. **Lad aldrig børn eller personer, som ikke er bekendt med disse instruktioner, anvende plæneklipperen. Operatørens alder kan være begrænset af lokale bestemmelser.**
3. **Anvend aldrig plæneklipperen, hvis der er personer, især børn, eller kæledyr i nærheden.**
4. **Husk, at operatøren eller brugeren er ansvarlig for ulykker eller farlige situationer, som andre personer eller deres ejendom udsættes for.**

Forberedelse

1. **Sørg for, at der ikke er nogen personer i arbejdsområdet, inden arbejdet påbegyndes. Stop plæneklipperen, hvis der kommer nogen ind i området.**

10. Anbring ikke hænder og fødder i nærheden af eller under de roterende dele. Hold Dem til enhver tid på god afstand af udledningsåbningen.
 11. Hold altid godt fast i håndtaget.
 12. Tag ikke fat i de blotlagte skæreblade eller skærekanter, når plæneklipperen løftes eller holdes.
 13. Hold hænder og fødder på god afstand af de roterende blade. Forsigtig - bladene fortsætter med at dreje rundt, efter at der er slukket for plæneklipperen.
 14. Forsøg aldrig at foretage indstillinger af klippehøjden, mens plæneklipperen er i gang, hvis plæneklipperen har en funktion til justering af klippehøjde.
 15. Frigør afbryderarmen, og vent, til bladene er holdt op med at dreje rundt, inden der køres over indkørsler, stier, veje og grusbelagte områder. Fjern ligeledes låsenøglen, hvis De forlader plæneklipperen, rækker ud for at samle noget op eller for at få det af vejen eller af andre årsager, der kan distrahere Dem fra det, som De er i gang med.
 16. Start ikke plæneklipperen, mens De står foran udledningsåbningen.
 17. Ret aldrig udkastet materiale mod nogen. Undgå udkastning af materiale mod en mur eller forhindring. Materiale kan blive kastet tilbage mod operatøren. Stop bladet når der køres over grusoverflader.
 18. Undlad at trække plæneklipperen tilbage medmindre det er absolut nødvendigt. Når du er nødt til at bakke plæneklipperen tilbage fra et hegn eller lignende forhindring, skal du se ned og bagud, før og mens du bevæger dig baglæns.
 19. Sluk for motoren, og vent indtil bladet er helt standstø, før du fjerner græsfangeren. Vær opmærksom på, at bladene bevæger sig, efter at der er slukket.
 20. Vær opmærksom på Deres fodfæste, hvis De bruger maskinen på mudret jord, en våd skræning eller et glat sted.
 21. Undlad at arbejde i et dårligt arbejdsmiljø, hvor øget brugertræthed kan forventes.
 22. Undlad at bruge maskinen i dårligt vejr, hvor sigtbarheden er nedsat. Ellers kan det medføre, at De falder, eller forkert betjening på grund af dårlig sigtbarhed.
 23. Undlad at nedsænke maskinen i en vandpyt.
 24. Hvis vådt græs eller snavs sætter sig fast i sugeåbningen (ventilationsvinduet) på grund af regn, skal De fjerne dem.
 25. Brug ikke maskinen i snevejr.
 26. Hvis det afklippede græs er vådt, vil det sandsynligvis sætte sig fast inde i maskinen. Kontroller regelmæssigt maskinens tilstand, og fjern fastklæbet græs efter behov.
 27. Ved betjening af maskinen skal du være opmærksom på rør og ledninger.
- Vedligeholdelse og opbevaring**
1. Inspicer og vedligehold plæneklipperen regelmæssigt.
 2. Hold alle møtrikker, bolte og skruer stramme for at sikre, at udstyret er i sikker funktionsstand.
 3. Inspicér hyppigt græskurven for slitage eller forringelse. Kontrollér altid, at græskurven er tom inden opbevaring. Skift af sikkerhedsgrunde en udtjent græskurv ud med en fabriksny.
 4. Anvend kun originale blade fra fabrikanten, som er specificeret i denne brugsanvisning.
 5. Vær påpasselig, når plæneklipperen justeres, således at De ikke får fingrene i klemme mellem plæneklipperens roterende blade og de faste dele.
 6. Kontrollér med jævne mellemrum bladets befæstelsesbolt for den rigtige stramning.
 7. Lad altid plæneklipperen køle af, inden den stilles til opbevaring.
 8. Når De servicerer bladene, skal De være opmærksom på, at bladene stadig kan bevæge sig, selv om der er slukket for maskinen.
 9. Fjern eller ændr aldrig sikkerhedsanordninger. Kontroller regelmæssigt at de fungerer ordentligt. Gør aldrig noget som kan interferere med den tilsigtede funktion af en sikkerhedsanordning eller for at reducere beskyttelsen fra en sikkerhedsanordning.
 10. Lad ikke maskinen ligge uovervåget udendørs i regnvejr.
 11. Undlad at vaske maskinen med højtryksvand.
 12. Når De vasker maskinen, skal De fjerne batteriet og låsenøglen og lukke akku-dækslet og hælde vand mod bunden af maskinen, hvor bladet er monteret.
 13. Undgå direkte sollys og regn ved opbevaring af maskinen, og opbevar den på et sted, hvor det ikke bliver varmt eller fugtigt.
 14. Udfør inspektion eller vedligeholdelse på et sted, hvor der er ly for regn.
 15. Når maskinen har været i brug, skal De fjerne fastsiddende snavs og tørre maskinen helt, før den opbevares. Afhængigt af årstiden eller området er der risiko for fejlfunktion på grund af frost.
- Elektrisk sikkerhed og batterisikkerhed**
1. Undlad at åbne eller mishandle batterierne. Lækket elektrolyt er ætsende og kan medføre skader på øjnene eller huden. Den kan være giftig, hvis den indtages.
 2. Undlad at oplade batteriet i regnvejr eller under våde forhold.
 3. Oplad ikke batteriet uden døre.
 4. Hånder ikke oplader, herunder opladerstik, og opladerterminaler med våde hænder.
 5. Undlad at udskifte batteriet i regnvejr.
 6. Undgå at gøre batteriets terminal våd med væsker som f.eks. vand eller at nedsænke batteriet. Undlad at lade batteriet ligge i regnvejr eller at oplade, bruge eller opbevare batteriet på et fugtigt eller vådt sted. Hvis terminalen bliver våd, eller der kommer væske ind i batteriet, kan batteriet blive kortslettet, og der er risiko for overophedning, brand eller eksplosion.
 7. Når De har fjernet batteriet fra maskinen eller opladeren, skal De sørge for at montere akku-dækslet på batteriet og opbevare det på et tørt sted.

8. **Undlad at udskifte batteriet med våde hænder.**
9. **Undgå farlige miljøer. Brug ikke maskinen på fugtige eller våde steder, og udsæt den ikke for regn.** Hvis der kommer vand ind i maskinen, øger det risikoen for elektrisk stød.
10. **Hvis akkuen bliver våd, skal du tømme vandet ud og derefter tørre den med en tør klud. Tør akkuen helt på et tørt sted før brug.**

GEM DENNE BRUGSANVISNING.

⚠ ADVARSEL: LAD IKKE bekvemmelighed eller kendskab til produktet (opnået gennem gentagen brug) forhindre, at sikkerhedsforskrifterne for produktet nøje overholdes. MISBRUG eller forsømmelse af at følge de i denne brugsvejledning givne sikkerhedsforskrifter kan føre til, at De kommer alvorligt til skade.

Vigtige sikkerhedsinstruktioner for akkuen

1. **Læs alle instruktioner og advarselmærkater på (1) akku-opladeren, (2) akkuen og (3) produktet, som anvender akku.**
2. **Adskil eller ændr ikke akkuen.** Det kan muligvis resultere i en brand, overdreven varme eller eksplosion.
3. **Hold straks op med anvendelsen, hvis brugstiden er blevet stærkt afkortet. Fortsat anvendelse kan resultere i risiko for overophedning, forbrændinger og endog eksplosion.**
4. **Hvis De har fået elektrolytvæske i øjnene, skal De straks skylle den ud med rent vand og derefter øjeblikkeligt søge lægehjælp. I modsat fald kan De miste synet.**
5. **Vær påpasselig med ikke at komme til at kortslutte akkuen:**
 - (1) Rør ikke ved terminalerne med noget ledende materiale.
 - (2) Undgå at opbevare akkuen i en beholder sammen med andre genstande af metal, for eksempel søm, mønter og lignende.
 - (3) Udsæt ikke akkuen for vand eller regn. Kortslutning af akkuen kan forårsage en kraftig øgning af strømmen, overophedning, mulige forbrændinger og endog værktøjstop.
6. **Opbevar og brug ikke maskinen og akkuen på steder, hvor temperaturen muligvis kan nå eller overstige 50 °C.**
7. **Lad være med at brænde akkuen, selv ikke i tilfælde, hvor den har lidt alvorlig skade eller er fuldstændig udtjent. Akkuen kan eksplodere, hvis man forsøger at brænde den.**
8. **Slå ikke søm i, skær ikke i, knus, kast, tab ikke akkuen og stød ikke akkuen mod en hård genstand. Sådan adfærd kan muligvis resultere i en brand, overdreven varme eller eksplosion.**
9. **Anvend ikke en beskadiget akku.**
10. **De indbyggede litium-ion-batterier er underlagt lovkrav vedrørende farligt gods.** Ved kommerciel transport, f.eks. af tredjeparts transportselskaber, skal særlige krav til forpakning og mærkning overholdes.

Ved forberedelse af udstyret til forsendelse skal du kontakte en ekspert i farligt gods. Overhold også eventuel mere detaljeret national lovgivning.

11. **Når akkuen bortskaffes, skal du fjerne den fra maskinen og bortskaffe den på et sikkert sted. Følg de lokale love vedrørende bortskaffelsen af batterier.**
12. **Brug kun batterierne med de produkter, som Makita specificerer.** Hvis batterierne installeres i ikke-kompatible produkter, kan det medføre brand, kraftig varme, eksplosion eller udsivning af elektrolyt.
13. **Hvis maskinen ikke skal bruges i længere tid ad gangen, skal du fjerne batteriet fra maskinen.**
14. **Akkuen kan muligvis under og efter brug være varm, hvilket kan forårsage forbrændinger eller lavtemperaturforbrændinger. Vær påpasselig med håndtering af varme akkuer.**
15. **Rør ikke terminalen på maskinen straks efter brug, da den bliver varm nok til at forårsage forbrændinger.**
16. **Sørg for, at spåner, støv eller jord ikke sætter sig fast i akkuens terminaler, huller og riller.** Det kan forårsage opvarmning, antændelse, sprængning og funktionsfejl i maskinen eller akkuen, hvilket kan medføre forbrændinger eller personskade.
17. **Medmindre maskinen understøtter brugen i nærheden af elektriske højspændingsledninger, skal du ikke anvende akkuen i nærheden af elektriske højspændingsledninger.** Det kan muligvis medføre funktionsfejl på eller nedbrud af maskinen eller akkuen.
18. **Opbevar batteriet utilgængeligt for børn.**

GEM DENNE BRUGSANVISNING.

⚠ FORSIGTIG: Brug kun originale batterier fra Makita. Brug af uoriginale Makita-batterier, eller batterier som er blevet ændret, kan muligvis medføre brud på batteriet, hvilket kan forårsage brand, personskade eller beskadigelse. Det ugyldiggør også Makita-garantien for Makita-maskinen og opladeren.

Tips til opnåelse af maksimal akku-levetid

1. **Oplad akkuen, inden den er helt afladet. Stop altid værktøjet, og oplad akkuen, hvis De bemærker, at værktøjeffekten er aftagende.**
2. **Genoplad aldrig en fuldt opladet akku. Overopladning vil afkorte akkuens levetid.**
3. **Oplad akkuen ved stuetemperatur ved 10 °C - 40 °C. Lad altid en varm akku få tid til at køle af, inden den oplades.**
4. **Når du ikke anvender akkuen, skal du fjerne den fra maskinen eller opladeren.**
5. **Oplad akkuen, hvis De ikke skal bruge den i længere tid (mere end seks måneder).**

SAMLING

⚠ ADVARSEL: Vær altid sikker på, at låsenøglen og akkuen er fjernet, inden De udfører noget arbejde på plæneklipperen. Hvis De ikke fjerner låsenøglen og akkuen, kan det medføre alvorlig personskade forårsaget af utilsigtet start.

⚠ ADVARSEL: Start aldrig plæneklipperen, medmindre den er fuldstændig samlet. Anvendelse af maskinen i kun delvist samlet tilstand kan medføre alvorlig personskade forårsaget af utilsigtet start.

Montering af akku-dækslet

⚠ ADVARSEL: Sæt ikke låsenøglen og akkuen i, før akku-dækslet er sat på. Forsømmelse af dette kan medføre alvorlig personskade.

Installer akku-dækslet helt før brugen. Akku-dækslet beskytter plæneklipperen og akkuen mod mudder, snavs og vand.

1. Anbring akku-dækslet, så de fremspringende dele på plæneklipperen og hullerne i akku-dækslet sidder ud for hinanden.

► **Fig.1:** 1. Fremspringende del 2. Hul 3. Akku-dæksel

2. Anbring hænderne midt på akku-dækslet, og tryk det ned.

► **Fig.2**

3. Kontrollér inden den første anvendelse, at akku-dækslets drejepunkt er ordentligt monteret. Hvis akku-dækslet er monteret korrekt, kan det ikke åbnes, før der trækkes i låsearmen til akku-dækslet.

► **Fig.3:** 1. Drejepunkt 2. Låsearm til akku-dæksel

Montering af håndtaget

BEMÆRKNING: Når der monteres håndtag, skal ledningerne placeres således, at de ikke sætter sig fast i noget mellem håndtagene. Hvis ledningen er beskadiget, fungerer plæneklipperens afbryder muligvis ikke.

1. Skub begge ender af det nederste håndtag ind i rillerne på plæneklipperen, og stram derefter fastspændingsskruerne helt til.

► **Fig.4:** 1. Fastspændingsskrue 2. Nederste håndtag

2. Juster skruehullerne i det øverste og nederste håndtag i forhold til hinanden. Fastgør dem med de fastspændingsskruerne og -møtrikkerne.

► **Fig.5:** 1. Fastspændingsmøtrik 2. Fastspændingsskrue

BEMÆRK: Hold godt fast i det øverste håndtag, så det ikke glider ud af hånden på Dem.

3. Fastgør holderne til håndtaget. Placer strømforsyningsledningen som vist på figuren.

► **Fig.6:** 1. Holder

Afmontering af komposteringsproppen

Ekstraudstyr

1. Åbn bagdækslet.

► **Fig.7:** 1. Bagdæksel

2. Hold komposteringsproppen i håndtaget og træk den derefter ud fra plæneklipperens karosseri som vist på figuren.

► **Fig.8:** 1. Komposteringsprop 2. Håndtag

Montering af græskurven

1. Åbn bagdækslet.

► **Fig.9:** 1. Bagdæksel

2. Sæt krogen på græskurven på stangen på plæneklipperens karosseri som vist i illustrationen.

► **Fig.10:** 1. Krog 2. Stang 3. Græskurv

Montering af komposteringsproppen

Ekstraudstyr

1. Åbn bagdækslet, og fjern derefter græskurven.

► **Fig.11:** 1. Bagdæksel 2. Græskurv

2. Hold komposteringsproppen i håndtaget og monter den derefter på plæneklipperens karosseri som vist på figuren.

► **Fig.12:** 1. Komposteringsprop 2. Håndtag

FUNKTIONSBESKRIVELSE

Isætning eller fjernelse af akkuen

⚠ FORSIGTIG: Sluk altid for maskinen, før du monterer eller fjerner akkuen.

⚠ FORSIGTIG: Sørg for, at akku-dækslet er låst inden brugen. Ellers kan mudder, snavs eller vand øve skade på produktet eller akkuen.

⚠ FORSIGTIG: Installer altid akkuen helt, så den røde indikator ikke kan ses. Ellers kan den falde ud af maskinen ved et uheld og forårsage personskade på dig eller personer i nærheden.

⚠ FORSIGTIG: Installer ikke akkuen med magt. Hvis akkuen ikke glider nemt ind, betyder det, at den ikke sættes korrekt ind.

BEMÆRK: Maskinen fungerer ikke med kun én akku.

Installation af akkuen:

1. Skub låsearmen til akku-dækslet, og åbn akku-dækslet.

► **Fig.13:** 1. Akku-dæksel 2. Låsearm til akku-dæksel

2. Justér tungen på akkuen med stikket på plæneklipperen, og skub derefter akkuen, indtil den låses på plads med et lille klik.

► **Fig.14:** 1. Akku

3. Sæt låsenøglen så langt ind, som den kan komme, på det sted, der vises på illustrationen.

► **Fig.15:** 1. Låsenøgle

4. Luk akku-dækslet, og tryk på det, indtil det går i indgreb med låsearmen.

Fjernelse af akkuen fra plæneklipperen:

1. Skub låsearmen til akku-dækslet, og åbn akku-dækslet.
2. Træk akkuen ud fra plæneklipperen, mens knapen på forsiden af akkuen skydes i stilling.
3. Træk låsenøglen ud.
4. Luk akku-dækslet.

Beskyttelsessystem til maskinen/batteriet

Maskinen er udstyret med et beskyttelsessystem til maskinen/batteriet. Systemet afbryder automatisk strømmen til motoren for at forlænge maskinens og batteriets levetid. Maskinen stopper automatisk under brugen, hvis maskinen eller batteriet udsættes for et af følgende forhold.

Overbelastningsbeskyttelse

Hvis maskinen bruges på en måde, der får den til at trække en unormalt høj strøm, stopper maskinen automatisk uden indikation. Sluk i så fald for maskinen, og stop den anvendelse, der medførte, at maskinen blev overbelastet. Tænd derefter for maskinen for at starte den igen.

Beskyttelse mod overophedning

Hvis maskinen bliver overophedet, stopper maskinen automatisk. Lad maskinen køle ned, før der tændes for maskinen igen.

Beskyttelse mod afladning

Hvis batteriladningen bliver lav, stopper maskinen automatisk. Hvis produktet ikke fungerer, selvom afbryderne betjenes, skal du tage batterierne ud af maskinen og lade batterierne op.

Indikation af den resterende batteriladning

► **Fig.16:** 1. Batteriindikator

Når den resterende batteriladning bliver lav, blinker batteriindikatoren på den anvendelige batteriside. Ved yderligere brug stopper maskinen, og batteriindikatoren lyser. I denne situation skal du oplade akkuen.

Indikation af den resterende batteriladning

Kun til akkuer med indikatoren

Tryk på kontrolknappen på akkuen for at få vist den resterende batteriladning. Indikatorlampen lyser i nogle sekunder.

► **Fig.17:** 1. Indikatorlamper 2. Kontrolknap

Indikatorlamper			Resterende ladning
Tændt	Slukket	Blinker	
			75% til 100%
			50% til 75%
			25% til 50%
			0% til 25%
			Genoplad batteriet.
			Der er muligvis fejl i batteriet.

BEMÆRK: Afhængigt af brugsforholdene og den omgivende temperatur kan indikationen afvige en smule fra den faktiske ladning.

BEMÆRK: Den første indikatorlampe (længst mod venstre) vil blinke, når batteribeskyttelsessystemet aktiveres.

Afbryderbetjening

⚠ ADVARSEL: Inden akkuen installeres, skal De altid kontrollere, at afbryderarmen fungerer, som den skal, og returnerer til udgangsstillingen, når den slippes. Anvendelse af en maskine med en afbryder, der ikke fungerer korrekt, kan føre til, at man mister herredømmet over maskinen med alvorlig personskade som følge.

BEMÆRK: Plæneklipperen starter ikke, uden at De trykker på afbryderknappen, selv hvis afbryderarmen trækkes.

BEMÆRK: Plæneklipperen starter muligvis ikke pga. overbelastning, hvis De forsøger at slå højt eller tæt græs samtidig. Forøg i så fald klippehøden.

Denne plæneklipper er udstyret med en blokeringsomskifter og en håndtagsknap. Hvis De bemærker noget usædvanligt med en af disse knapper, skal De straks stoppe anvendelsen og få dem efterset hos nærmeste autoriserede Makita Servicecenter.

1. Installer akkuerne. Sæt låsenøglen ind i blokeringsomskifteren, og luk derefter akku-dækslet.

► **Fig.18:** 1. Akku 2. Låsenøgle

2. Tryk på afbryderknappen, og hold den inde.

3. Tag fat i det øverste håndtag, og træk i afbryderarmen.

► **Fig.19:** 1. Afbryderknop 2. Afbryderarm

4. Frigør afbryderknappen, så snart motoren begynder at køre. Plæneklipperen vil fortsætte med at køre, indtil De slipper afbryderarmen.

5. Slip afbryderarmen for at stoppe motoren.

Indstilling af klippehøjden

⚠ ADVARSEL: Stik aldrig en hånd eller et ben ind under plæneklipperen, når De indstiller klippehøjden.

⚠ ADVARSEL: Sørg altid for, at armen passer ordentligt ind i rillen inden brugen.

Klippehøjden kan indstilles inden for et interval mellem 20 mm og 75 mm.

1. Fjern låsenøglen.

2. Træk justeringsarmen til klippehøjde udad på plæneklipperens karosseri, og flyt den til den ønskede klippehøjde.

► **Fig.20:** 1. Justeringsarm til klippehøjde

BEMÆRK: Tallene for klippehøjde må kun bruges som retningslinje. Afhængigt af brugsforholdene på plænen eller jorden kan den faktiske græshøjde afvige en smule i forhold til den indstillede højde.

BEMÆRK: Udfør en testklipping på et mindre øjne-faldende sted for at opnå den ønskede højde.

Græsniveauindikator

► **Fig.21:** 1. Græsniveauindikator

Græsniveauindikatoren viser mængden af det klippede græs.

- Hvis græskurven ikke er fuld, vil indikatoren bevæge sig under klippingen.
- Hvis græskurven er fuld, vil indikatoren ikke bevæge sig under klippingen. Hold i dette tilfælde straks op med at klippe græsset, og tøm kurven. Når kurven er tømt, skal De rengøre den, således at luften kan slippe ud gennem dens net.

BEMÆRK: Denne indikator er en omtrentlig retningslinje. Det er ikke sikkert, at indikatoren fungerer korrekt, det afhænger af forholdene i kurven.

Brug af komposteringsproppen

Ekstraudstyr

Med komposteringsproppen kan du returnere det afklippede græs til jorden uden at samle det afklippede græs i græskurven. Når du bruger maskinen sammen med komposteringsproppen, skal du sørge for at fjerne græskurven.

BEMÆRKNING: Når maskinen anvendes med komposteringsproppen, skal du sørge for, at den samlede længde af græs efter klipping er 30 mm eller mere, og at klippelængden er 15 mm eller mindre.

► **Fig.22:** (1) 30 mm eller mere (2) 15 mm eller mindre

ANVENDELSE

Klipning

⚠ ADVARSEL: Fjern grene og sten fra klippingsområdet inden klippingen. Fjern også på forhånd alt ukrudt fra klippingsområdet.

⚠ ADVARSEL: Bær altid beskyttelsesbriller eller sikkerhedsbriller med sideafskærmning, når De anvender plæneklipperen.

⚠ FORSIGTIG: Hvis afklippet græs eller et fremmedlegeme sætter sig fast inde i maskinens kabinet, skal De sørge for at fjerne låsenøglen og akkuen og bære handsker, før De fjerner græsset eller fremmedlegemet.

BEMÆRKNING: Brug kun denne maskine til at slå græs. Undlad at klippe ukrudt med maskinen.

► **Fig.23**

Hold godt fast i håndtaget med begge hænder, når De klipper græs.

Retningslinjen for græsklippingshastighed er cirka 1 meter for hver 4 sekunder.

► **Fig.24**

De udvendige kanter på forhjulene er retningslinjer for klippebredden. Brug de udvendige kanter på forhjulene som retningslinjer og slå græsset i striber. Overlap med halvdelen til en tredjedel af den forrige stribe for at klippe plænen jævnt.

► **Fig.25:** 1. Klippingsbredde 2. Overlappende område 3. Udvendig kant

Skift klippingsretning hver gang for at forhindre, at græsmønstret kun dannes i én retning.

► **Fig.26**

Kontrollér regelmæssigt græskurven for bortklippet græs. Tøm græskurven, før den bliver fuld. Inden hver periodisk kontrol skal De sørge for at stoppe plæneklipperen og derefter fjerne låsenøglen og akkuen.

BEMÆRKNING: Hvis plæneklipperen anvendes med græskurven fuld, kan der ikke opnås problemfri rotation af bladet, og motoren udsættes for ekstra belastning, hvilket kan føre til sammenbrud.

Klipning af en plæne med højt græs

Forsøg ikke at klippe langt græs i en enkelt arbejds-gang. Klip i stedet græsset i flere trin. Hold en pause på en dag eller to mellem klippingerne, indtil plænen er ensartet kort.

BEMÆRK: Klipping af højt græs til en kort længde i en enkelt arbejds-gang kan påvirke, at græsset dør. Det afklippede græs kan også blokere plæneklipperens indvendige dele.

Tømning af græskurven

⚠ ADVARSEL: For at reducere risikoen for ulykker skal De med jævne mellemrum efterse græskurven for beskadigelse eller forringet styrke. Udskift om nødvendigt græskurven.

1. Frigør afbryderarmen.
2. Fjern låsenøglen.
3. Åbn bagdækslet, og tag græskurven ud ved at holde i håndtaget.
▶ **Fig.27:** 1. Bagdæksel 2. Håndtag
4. Tøm græskurven.

VEDLIGEHOLDELSE

⚠ ADVARSEL: Sørg altid for, at låsenøglen og akkuen er fjernet fra plæneklipperen, inden den stilles til opbevaring, eller De bærer plæneklipperen, eller inden De foretager inspektion eller vedligeholdelse.

⚠ ADVARSEL: Fjern altid låsenøglen, når plæneklipperen ikke er i brug. Opbevar låsenøglen på et sikkert sted, hvor børn ikke kan få fat i den.

⚠ ADVARSEL: Bær altid handsker under udførelse af inspektion eller vedligeholdelse.

⚠ ADVARSEL: Bær altid beskyttelsesbriller eller sikkerhedsbriller med sideafskærmning, før De foretager inspektion eller vedligeholdelse.

BEMÆRKNING: Anvend aldrig benzin, rensebenzin, fortynder, alkohol og lignende. Det kan medføre misfarvning, deformation eller revner.

For at opretholde produktets SIKKERHED og PALIDELIGHED må reparation, vedligeholdelse eller justering kun udføres af et autoriseret Makita servicecenter eller fabrikksservicecenter med anvendelse af Makita reservedele.

Vedligeholdelse

1. Fjern låsenøglen. Anbring den på et sikkert sted, hvor børn ikke kan få fat i den.
2. Rengør kun plæneklipperen med en fugtig klud. Lad være med at sprøjte eller hælde vand på plæneklipperen, når den rengøres.
3. Læg plæneklipperen på siden, og fjern græsafklip, der har samlet sig på undersiden af klippeskiven.
4. Kontrollér, at alle møtrikker, bolte, knapper, skruer, fastgøringsanordninger osv. er strammet.
5. Inspicér de bevægelige dele for beskadigelse, brud og slitage. Beskadigede eller manglende dele skal repareres eller udskiftes.

Opbevaring

⚠ ADVARSEL: Når De bærer eller opbevarer plæneklipperen, skal De ikke holde i de foldede håndtag, men i det forreste greb på plæneklipperen. Hvis De holder i de foldede håndtag, kan det medføre alvorlig personskaade eller beskadigelse af plæneklipperen.

Inden plæneklipperen stilles til opbevaring, skal du fjerne akkuen og låsenøglen. Opbevar plæneklipperen indendørs på et køligt, tørt og aflåst sted. Opbevar ikke plæneklipperen og opladeren på steder, hvor temperaturen kan komme op på eller overstige 40 °C.

▶ **Fig.28:** 1. Forreste greb 2. Bageste greb

1. Løsn fastspændingsskruerne, og træk det nederste håndtag ud til begge sider. Flyt håndtaget nedad og fremad. Hold på dette tidspunkt godt fast i det nederste håndtag, så det ikke falder ned til den fjerne side fra plæneklipperens karosseri.

▶ **Fig.29:** 1. Fastspændingsskrue 2. Nederste håndtag

2. Løsn fastspændingsmøtrikkerne, og drej det øverste håndtag tilbage, idet der udvides i begge sider.

▶ **Fig.30:** 1. Fastspændingsmøtrik 2. Øverste håndtag

3. Opbevar græskurven mellem håndtaget og plæneklipperens karosseri.

▶ **Fig.31:** 1. Græskurv

BEMÆRK: Når plæneklipperen stilles i oprejst position, må De ikke holde i håndtaget, men i det forreste greb på plæneklipperen.

Afmontering eller montering af plæneklipperbladet

⚠ ADVARSEL: Fjern altid låsenøglen og akkuen, når bladet afmonteres eller monteres. Forsømmelse af at fjerne låsenøglen og akkuen kan medføre alvorlig personskaade.

⚠ ADVARSEL: Bladet drejer rundt i et par sekunder, efter at afbryderen er frigjort. Undlad at starte nogen betjening, før bladet er standset helt.

⚠ ADVARSEL: Brug altid handsker, når De håndterer bladet.

Fjernelse af plæneklipperbladet

For DLM382

1. Læg plæneklipperen på siden, så justeringsarmen til klippehøjden er på oversiden.
2. For at låse bladets rotation indsættes en skrue-trækker eller et lignende værktøj ind i et hul på plæneklipperens karosseri.
3. Drej bolten i retningen mod uret med topnøglen.
▶ **Fig.32:** 1. Plæneklipperblad 2. Skrue-trækker 3. Topnøgle
4. Fjern bolten og bladet i denne rækkefølge.
▶ **Fig.33:** 1. Bladunderstøttelse 2. Plæneklipperblad 3. Bolt

For DLM432

1. Læg plæneklipperen på siden, så justeringsarmen til klippehøjden er på oversiden.
2. For at låse bladets rotation indsættes en skrue-trækker eller et lignende værktøj ind i et hul på plæneklipperens karosseri.
3. Drej boltten i retningen mod uret med topnøglen.
► **Fig.34:** 1. Plæneklipperblad 2. Skrue-trækker 3. Topnøgle
4. Fjern boltten, den udvendige flange, plæneklipperbladet og den indvendige flange i denne rækkefølge.
► **Fig.35:** 1. Indvendig flange 2. Plæneklipperblad 3. Udvendig flange 4. Bolt

Montering af plæneklipperbladet

For at installere plæneklipperbladet skal De udføre proceduren for afmontering i modsat rækkefølge.

⚠ ADVARSEL: Monter plæneklipperbladet med forsigtighed. Det har en øverste og nederste flade. Anbring bladet, så bladsiden med rotationsretningsspilen vender udad.

⚠ ADVARSEL: Stram boltten godt til i retningen med uret for at fastgøre bladet.

⚠ ADVARSEL: Sørg for, at plæneklipperbladet og alle fastgøringsdelene er monteret korrekt og strammet godt til.

⚠ ADVARSEL: Følg altid instruktionerne i denne brugsanvisning, når De udskifter bladene.

FEJLFINDING

Udfør selv en inspektion, inden De anmoder om reparation. Hvis De opdager et problem, som ikke er forklaret i brugsanvisningen, må De ikke forsøge at adskille maskinen. Rådfør Dem i stedet med et autoriseret Makita Servicecenter, og brug altid originale Makita udskiftningsdele til reparationer.

Unormal tilstand	Sandsynlig årsag (fejl)	Afhjælpning
Plæneklipperen starter ikke.	Der er ikke installeret to akkuer.	Installér de opladte akkuer.
	Akku-problem (underspænding)	Genoplad akkuen. Udskift akkuen, hvis genopladningen ikke er effektiv.
	Låsenøglen er ikke sat i.	Sæt låsenøglen i.
Motoren stopper efter kort tids brug.	Akkuens ladeniveau er lavt.	Genoplad akkuen. Udskift akkuen, hvis genopladningen ikke er effektiv.
	Klippehøjden er for lav.	Forøg klippehøjden.
Maks. antal omdrejninger pr. minut (RPM) nås ikke.	Akkuen er ikke sat ordentligt i.	Installér akkuen som beskrevet i denne brugsanvisning.
	Akkuens effekt mindskes.	Genoplad akkuen. Udskift akkuen, hvis genopladningen ikke er effektiv.
	Drivsystemet fungerer ikke korrekt.	Få et lokalt, autoriseret servicecenter til at reparere det.
Plæneklipperbladet roterer ikke: ⇒ Stop øjeblikkeligt plæneklipperen!	Et fremmedlegeme, f.eks. en gren, har sat sig fast i nærheden af bladet.	Fjern fremmedlegemet.
	Drivsystemet fungerer ikke korrekt.	Få et lokalt, autoriseret servicecenter til at reparere det.
Unormal vibration: ⇒ Stop øjeblikkeligt plæneklipperen!	Bladet er ubalanceret, ekstremt eller uensartet slid.	Skift bladet ud med et nyt.

EKSTRAUDSTYR

⚠ FORSIGTIG: Det følgende tilbehør og ekstraudstyr er anbefalet til brug med Deres Makita maskine, der er beskrevet i denne brugsanvisning. Anvendelse af andet tilbehør eller ekstraudstyr kan udgøre en risiko for personskade. Anvend kun tilbehør og ekstraudstyr til det beskrevne formål.

Hvis De behøver hjælp ved valg af tilbehør eller ønsker yderligere informationer, bedes De kontakte Deres lokale Makita servicecenter.

- Plæneklipperblad
- Komposteringsprop
- Original Makita akku og oplader

BEMÆRK: Nogle ting på denne liste kan være inkluderet i værktøjsspakken som standardtilbehør. Det kan være forskellige fra land til land.

SPECIFIKĀCIJAS

Modelis:	DLM382		DLM432	
Plaušanas platums (asmens diametrs)	380 mm		430 mm	
Ātrums bez slodzes	3 700 min ⁻¹		3 600 min ⁻¹	
Rezerves plaujmašīnas asmens daļas numurs	191D41-2		191D43-8	
Izmēri (G × P × A)	ekspluatācijas laikā	G: no 1 380 mm līdz 1 410 mm P: 450 mm A: no 985 mm līdz 1 005 mm	G: 1 435–1 490 mm P: 460 mm A: 1 005–1 045 mm	
	glabāšanas laikā (bez zāles groza)	860 mm x 450 mm x 475 mm	865 mm x 460 mm x 475 mm	
Nominālais spriegums	Līdzstrāva 36 V			
Neto svars	15,5 - 16,5 kg		16,0 – 16,9 kg	

- Nepārtrauktās izpētes un izstrādes programmas dēļ šeit uzrādītās specifikācijas var tikt mainītas bez brīdinājuma.
- Atkarībā no valsts specifikācijas var atšķirties.
- Svārs var būt atšķirīgs atkarībā no papildierīces (-ēm), tostarp akumulatora kasetnes. Tabulā ir attēlota vieglākā un smagākā kombinācija atbilstoši EPTA procedūrai 01/2014.

Piemērotā akumulatora kasetne un lādētājs

Akumulatora kasetne	BL1830B / BL1840B / BL1850B / BL1860B
Lādētājs	DC18RC / DC18RD / DC18RE / DC18SD / DC18SE / DC18SF / DC18SH / DC18WC







- Daži no iepriekš norādītajiem lādētājiem un akumulatora kasetnēm var nebūt pieejami atkarībā no jūsu mītnes reģiona.

⚠ BRĪDINĀJUMS: Izmantojiet vienīgi iepriekš norādītās akumulatora kasetnes un lādētājus. Cita tipa akumulatora kasetņu un lādētāju izmantošana var radīt traumu un/vai aizdegšanās risku.

⚠ BRĪDINĀJUMS: Ar šo darbarīku neizmantojiet strāvas apgādi, kas pievienota ar vadu, piemēram, akumulatora adapteri vai pārnēsājama barošanas bloku. Šāda veida strāvas apgādes ierīces strāvas vads var traucēt darbību, tādējādi izraisot traumas.

Simboli

Tālāk ir attēloti simboli, kas var attiekties uz darbarīka lietošanu. Pirms darbarīka izmantošanas pārliecinieties, vai pareizi izprotat to nozīmi.

	Esiet īpaši rūpīgs un uzmanīgs.
	Izlasiet lietošanas rokasgrāmatu.
	Bīstami! Sargieties no izviesiem priekšmetiem.
	Attālumam starp darbarīku un apkārtējiem jābūt vismaz 15 m.
	Nenovietojiet rokas un kājas plaujmašīnas asmeņu tuvumā zem plaujmašīnas. Plaujmašīnas asmeņi turpina griezties arī pēc motora izslēgšanas.
	Pirms plaujmašīnas pārbaudes, regulēšanas, tīrīšanas, apkopes, atstāšanas bez uzraudzības un uzglabāšanas izņemiet bloķēšanas atslēgu.



Brīdinājums: pirms veicat apkopi, atvienojiet akumulatoru.



Garantētais skaņas jaudas līmenis saskaņā ar ES Direktīvu par troksni ārpus telpām.



Skaņas jaudas līmenis saskaņā ar Austrālijas NSW trokšņu kontroles noteikumiem



Ni-MH
Li-ion

Tikai ES valstīm
Tā kā šajā aprīkojumā ir bīstamas sastāvdaļas, elektrisko un elektronisko iekārtu, akumulatoru un bateriju atkritumi var negatīvi ietekmēt apkārtējo vidi un cilvēka veselību. Elektroierīces, elektroniskās ierīces un akumulatorus nedrīkst izmest kopā ar mājamsaimniecības atkritumiem!
Saskaņā ar Eiropas direktīvu par elektrisko un elektronisko iekārtu atkritumiem, akumulatoriem un baterijām, kā arī akumulatoru un bateriju atkritumiem un šīs direktīvas pielāgošanu valsts tiesību aktiem elektrisko un elektronisko iekārtu, bateriju un akumulatoru atkritumi ir jāglabā atsevišķi un jānogādā uz sadzīves atkritumu dalītās savākšanas vietu, ievērojot attiecīgos vides aizsardzības noteikumus. Par to liecina uz iekārtas redzams simbols ar pārsvītrotu atkritumu konteineru uz riteņiem.

Paredzētā lietošana

Šī mašīna ir paredzēta zāles pļaušanai.

Trokšņa līmenis

Tipiskais A svērtais trokšņa līmenis noteikts saskaņā ar EN IEC 62841-4-3:

Modelis	Izmērītais skaņas jaudas līmenis (L_{WA}): (dB(A))	Garantētais skaņas jaudas līmenis (L_{WA}): (dB(A))
DLM382	91	94
DLM432	92	95

Modelis	Skaņas spiediena līmenis (L_{pA}): (dB(A))	Skaņas spiediena līmeņa nenoteiktība (K): (dB(A))
DLM382	81	3
DLM432	81	3

PIEZĪME: Paziņotā trokšņa emisijas vērtība noteikta atbilstoši standarta pārbaudes metodei, un to var izmantot, lai salīdzinātu vienu darbarīku ar citu.

PIEZĪME: Paziņoto trokšņa emisijas vērtību arī var izmantot iedarbības sākotnējā novērtējumā.

▲BRĪDINĀJUMS: Lietojiet ausu aizsargus.

▲BRĪDINĀJUMS: Trokšņa emisija patiesos darba apstākļos var atšķirties no paziņotās vērtības atkarībā no darbarīka izmantošanas veida un jo īpaši atkarībā no apstrādājamā materiāla veida.

▲BRĪDINĀJUMS: Lai aizsargātu lietotāju, nosakiet drošības pasākumus, kas pamatoti ar iedarbību reālos darba apstākļos (ņemot vērā visus ekspluatācijas cikla posmus, piemēram, laiku, kamēr darbarīks ir izslēgts un kad darbojas tukšgaitā, kā arī palaides laiku).

Vibrācija

Vibrācijas kopējā vērtība (trīsasu vektora summa) noteikta atbilstoši EN IEC 62841-4-3:

Modelis DLM382

Vibrācijas izmete (a_h): 2,5 m/s² vai mazāk
Mainīgums (K): 2,0 m/s²

Modelis DLM432

Vibrācijas izmete (a_h): 2,5 m/s² vai mazāk
Mainīgums (K): 1,5 m/s²

PIEZĪME: Paziņotā kopējā vibrācijas vērtība noteikta atbilstoši standarta pārbaudes metodei, un to var izmantot, lai salīdzinātu vienu darbarīku ar citu.

PIEZĪME: Paziņoto kopējo vibrācijas vērtību arī var izmantot iedarbības sākotnējā novērtējumā.

▲BRĪDINĀJUMS: Vibrācijas emisija patiesos darba apstākļos var atšķirties no paziņotās vērtības atkarībā no darbarīka izmantošanas veida un jo īpaši atkarībā no apstrādājamā materiāla veida.

▲BRĪDINĀJUMS: Lai aizsargātu lietotāju, nosakiet drošības pasākumus, kas pamatoti ar iedarbību reālos darba apstākļos (ņemot vērā visus ekspluatācijas cikla posmus, piemēram, laiku, kamēr darbarīks ir izslēgts un kad darbojas tukšgaitā, kā arī palaides laiku).

Atbilstības deklarācijas

Tikai Eiropas valstīm

Atbilstības deklarācijas šajā lietošanas rokasgrāmatā ir iekļautas kā A pielikums.

DROŠĪBAS BRĪDINĀJUMI

Vispārīgi elektrisko darbarīku drošības brīdinājumi

▲BRĪDINĀJUMS Izlasiet visus drošības brīdinājumus, norādījumus un tehniskos datus un izpētiet ilustrācijas, kas iekļautas šā elektriskā darbarīka komplektā. Neievērojot visus tālāk minētos noteikumus, iespējams elektriskās strāvas trieciena, aizdegšanās un/vai smagu traumu risks.

Glabājiet visus brīdinājumus un norādījumus, lai varētu tajos ieskatīties turpmāk.

Termins „elektriskais darbarīks” brīdinājumos attiecas uz tādu elektrisko darbarīku, ko darbina ar elektrību (ar vadu), vai tādu, ko darbina ar akumulatoru (bez vada).

Drošības brīdinājumi bezvada zāles pļaujmašīnas lietošanai

1. **Neizmantojiet zāles pļaujmašīnu sliktos laikapstākļos, jo īpaši laikā, kad iespējams zibens.** Tādējādi samazinās zibens trieciena risks.
2. **Rūpīgi pārbaudiet, vai vietā, kurā izmantosit zāles pļaujmašīnu, nav savvaļas dzīvnieku.** Zāles pļaujmašīnas izmantošanas laikā var savainot savvaļas dzīvniekus.
3. **Rūpīgi pārbaudiet vietu, kurā izmantosit zāles pļaujmašīnu, un attīriet to no visiem akmeņiem, zariem, vadiem, kauliem un citiem svešķermeņiem.** Objekti, kas atsitās, var radīt traumu.
4. **Pirms izmantojat zāles pļaujmašīnu, vienmēr apskatiet, vai asmens un asmens mezgls nav nodilis vai bojāts.** Nodilušas vai bojātas detaļas var paaugstināt traumu gūšanas risku.
5. **Regulāri pārbaudiet, vai zāles uztvērējs nav nodilis vai nolietojies.** Nodilis vai bojāts zāles uztvērējs var paaugstināt traumu gūšanas risku.

6. **Sargiem vienmēr jāatrodas paredzētajās vietās.** Lai varētu pareizi uzmontēt sargus, tiem jābūt darba kārtībā. Ja sargs uzstādīts vaļīgi, ir bojāts vai nedarbojas pareizi, var rasties traumas.
7. **Raugieties, lai dzesēšanas gaisa ieplūdes atveres nebūtu bloķētas.** Ja gaisa ieplūdes atveres ir aizklātas, zāles pļaujmašīna var pārkarst un aizdegties.
8. **Strādājot ar zāles pļaujmašīnu, vienmēr valkājiet neslīdošus aizsargapavus. Nestrādājiet ar zāles pļaujmašīnu, ja jums kājās nav apavu vai valkājāt atvērtas sandales.** Tādējādi samazināsies kāju savainošanas risks, tām saskaroties ar kustīgu asmeni.
9. **Strādājot ar zāles pļaujmašīnu, vienmēr valkājiet garās bikses.** Ja āda nav apklāta, ir lielāka varbūtība savainoties ar atlecošiem objektiem.
10. **Neizmantojiet zāles pļaujmašīnu slapjā zālē. Pārvietojieties ejot, nekad neskrīniet.** Tādējādi būs mazāks risks paslīdēt un pakrist, kas varētu radīt traumas.
11. **Neizmantojiet zāles pļaujmašīnu pārāk stāvās nogāzēs.** Tādējādi būs mazāks risks zaudēt kontroli, paslīdēt un pakrist, kas varētu radīt traumas.
12. **Strādājot uz nogāzēm, vienmēr nodrošiniet kāju atbalstu, vienmēr strādājiet šķērsvirzienā nogāzes slīpumam, bet nekad virzienā uz leju vai uz augšu, un ievērojiet īpašu piesardzību, mainot virzienu.** Tādējādi būs mazāks risks zaudēt kontroli, paslīdēt un pakrist, kas varētu radīt traumas.
13. **Esiet īpaši uzmanīgi, apgriežot zāles pļaujmašīnu vai velkot to pret sevi.** Vienmēr apzinieties, kas jums ir apkārt. Tādējādi, izmantojot zāles pļaujmašīnu, samazināsies pakļupšanas risks.
14. **Nepieskarieties asmeņiem un kustīgām detaļām detālām, kamēr tās kustas.** Tādējādi samazinās risks gūt traumas no kustīgām detaļām.
15. **Tirot iestrēgušus materiālus vai tirot zāles pļaujmašīnu, raugieties, lai visi slēdži būtu izslēgti un akumulatora kasetne atvienota.** Negaidīta zāles pļaujmašīnas ieslēgšanās var izraisīt smagas traumas.
3. **Uzmanieties no bedrēm, grambām, uzkalniņiem, akmeņiem un grūti pamanāmiem priekšmetiem.** Strādājot uz nelīdzenas virsmas, varat paslīdēt un nokrist, tādējādi gūstot traumas. Garā zālē var būt grūti pamanāmi šķēršļi.
4. **Neievietojiet vai neizņemiet atslēgu lietus laikā.**

Ekspluatācija

1. **Apturiet pļaujmašīnu, izņemiet bloķēšanas atslēgu un pārliecinieties, vai visas kustīgās daļas ir pilnībā apstājušās,**
 - ja atstājat pļaujmašīnu bez uzraudzības;
 - pirms nosprostojumu tīrīšanas vai izmešanas kanāla tīrīšanas;
 - pirms pļaujmašīnas pārbaudes, tīrīšanas vai citu darbu veikšanas ar pļaujmašīnu.
2. **Ja pļaujmašīna trāpa kādam objektam, rīkojieties šādi:**
 - Apturiet pļaujmašīnu, atļaidiet slēdža sviru un pagaidiet, kamēr asmens pilnībā apstājas.
 - Izņemiet atslēgu un akumulatora kasetni.
 - Rūpīgi pārbaudiet, vai pļaujmašīnai nav bojājumu.
 - Nomainiet asmeni, ja tas ir bojāts.
 - Salabojiet bojājumu pirms pļaujmašīnas atkārtotas iedarbināšanas un turpmākas ekspluatācijas.
3. **Ja pļaujmašīna sāk neparasti vibrēt vai pamanāt ko neparastu, nekavējoties veiciet tālāk norādītās darbības.**
 - Apturiet pļaujmašīnu, atļaidiet slēdža sviru un pagaidiet, kamēr asmens pilnībā apstājas.
 - Izņemiet atslēgu un akumulatora kasetni.
 - Pārbaudiet bojājumu un nomainiet vai salabojiet visas bojātās daļas.
 - Pārbaudiet, vai nav vaļīgu daļu, un, ja ir, pievelciet tās.
4. **Nekādā gadījumā nelietojiet pļaujmašīnu, ja bojāti tās aizsargi vai vairogi vai ja nav uzstādītas drošības ierīces, piemēram, deflektori un/ vai zāles grozs.**
5. **Pļaujmašīnu izmantojiet tikai dienas gaismā vai labā mākslīgajā apgaismojumā.**
6. **Pļaujmašīnu iedarbiniet uzmanīgi saskaņā ar norādījumiem un netuvinot pēdas asmenim(-ņiem).**
7. **Uzmanieties, lai pļaujmašīnas asmens nesavainotu jūsu kājas un rokas.**
8. **Apturiet asmeni(-ņus), ja pļaujmašīna ir jāsa- sver, pārvietojot vai šķērsojot virsmu, kas nav zāle, kā arī pārvietojot pļaujmašīnu uz pļauša- nas vietu un no tās.**
9. **Iedarbinot motoru, nesasveriet pļaujmašīnu, ja tikai tas nav jādara, lai tā sāktu darboties.** Šādā gadījumā nesasveriet to vairāk, kā nepieciešams, un paceliet tikai to daļu, kas nav lieto- tāja tuvumā. Pirms pļaujmašīnas novietošanas atpakāļ uz zemes vienmēr pārliecinieties, ka abas rokas atrodas darba pozīcijā.
10. **Pļaukšanas vai pēdas nelieciet rotējošu detaļu tuvumā vai zem tām. Nekad nestāviet izvades atvērma tuvumā.**

Papildu drošības brīdinājumi

Apmācība

1. **Uzmanīgi izlasiet norādījumus.** Izprotiet pļaujmašīnas vadības funkcijas un pareizas izmantošanas instrukcijas.
2. **Nekādā gadījumā nepieļaujiet, ka zāles pļaujmašīnu izmanto bērni vai cilvēki, kas nepazīna šos norādījumus pļaujmašīnas izmantošanai.** Vietējie noteikumi var ierobežot lietotāja vecumu.
3. **Nekādā gadījumā nestrādājiet ar pļaujmašīnu, ja tuvumā ir cilvēki (īpaši bērni) vai dzīvnieki.**
4. **Nemiet vērā, ka operators vai lietotājs ir atbildīgs par negadījumiem vai apdraudējumu, kas radīts citiem cilvēkiem vai to īpašumam.**

Sagatavošanās

1. **Pirms pļaušanas pārbaudiet, vai darba zonā nav citu cilvēku.** Apturiet pļaujmašīnu, ja kāds ienāk darba zonā.
2. **Neievietojiet atslēgu pļaujmašīnā, ja tā nav gatava izmantošanai.**

11. Rokturi vienmēr turiet cieši.
12. Paceļot vai turot pļaujmašīnu, nesatveriet to aiz asmeņiem.
13. Rokas un kājas netuviniet rotējošiem asmeņiem. Uzmani! Asmeņi turpina griezties arī pēc pļaujmašīnas izslēgšanas.
14. Ja pļaujmašīnai ir griešanas augstuma regulēšanas funkcija, nekad nemēģiniet regulēt griešanas augstumu, kamēr pļaujmašīna darbojas.
15. Pirms piebraucamo ceļu, taku, ceļu un ar granti klātu vietu šķērsošanas atļaidiet slēdža sviru un ļaujiet asmenim apstāties. Izņemiet arī atslēgu, ja atstājat pļaujmašīnu, sniedzoties kaut ko pacelt vai cenšaties noņemt kādu šķērslī, kā arī citu apstākļu gadījumā, kas neļauj pilnībā koncentrēties veicamajam darbam.
16. Neiedarbiniet pļaujmašīnu, ja stāvat pretī izvades atvērūmam.
17. Nekad nevērsiet izvadīto materiālu pret citiem cilvēkiem. Materiālu nedrīkst izvadīt pret sienu vai kādu citu šķērslī. Materiāls pēc rikošeta var lidot operatora virzienā. Šķērsojot akmeņainas virsmas, apstādiniet asmeni.
18. Nevelciet pļaujmašīnu atpakaļgaitā, ja tikai tas nav absolūti nepieciešams. Ja esat spiesti vilkt pļaujmašīnu atpakaļgaitā prom no žoga vai cita šķēršļa, vispirms un arī kustības laikā skatieties uz leju un aizmuguri.
19. Pirms zāles uztvērēja izņemšanas izslēdziet motoru un uzgaidiet, līdz asmens ir pilnībā apstājies. Ņemiet vērā, ka asmens pēc izslēgšanas turpina kustēties inerces dēļ.
20. Izmantojot ierīci dubjainā vietā, uz mitras sliņas virsmas vai slidēnā vietā, raugieties, lai kājām būtu stabils atbalsts.
21. Centieties nestrādāt grūti apstrādājamā vidē, kur var ātri nogurt.
22. Neizmantojiet pļaujmašīnu sliktos laikapstākļos, kad ir ierobežota redzamība. Pretējā gadījumā iespējams nokrišanas risks vai nepareiza ekspluatācija sliktas redzamības dēļ.
23. Negremdējiet ierīci peļķē.
24. Ja lietus dēļ pie sūkšanas atveres (ventilācijas atveres) pieļīf slapjas lapas vai dubļi, noņemiet tos.
25. Neizmantojiet ierīci sniegā.
26. Ja nogrieztā zāle ir mitra, tā, visticamāk, aizsprostos ierīces iekšpusi. Regulāri pārbaudiet ierīces stāvokli un, ja nepieciešams, noņemiet pielīpušo zāli.
27. Darbarīka izmantošanas laikā pievērsiet uzmanību caurulēm un vadiem.

Apkope un glabāšana

1. Regulāri pārbaudiet pļaujmašīnu un veiciet tās apkopi.
2. Visus uzgriežņus, bultskrūves un skrūves uzturiet cieši pievilkus, lai aprikojums aizvien būtu drošā darba stāvoklī.
3. Regulāri pārbaudiet, vai zāles grozs nav nodilis vai nolietojies. Kad ierīci liekat glabāšanā, pārbaudiet, vai zāles grozs ir tukšs. Nodīlušu zāles grozu drošības nolūkā nomainiet pret jaunu rūpnīcas rezerves grozu.
4. Izmantojiet tikai šajā rokasgrāmatā norādītos ražotāja oriģinālos asmeņus.

5. Uzmani, regulējot pļaujmašīnu, lai pirksti neiesprūstu starp ierīces kustīgajiem asmeņiem un fiksētajām daļām.
6. Bieži pārbaudiet, vai stiprinājuma skrūve pievilka pietiekami cieši.
7. Pirms novietošanas glabātavā ļaujiet pļaujmašīnai atdzist.
8. Nevisot asmeņu apkopi, ņemiet vērā, ka, lai gan barošana avots ir izslēgts, asmeņus joprojām var pārvietot.
9. Nekad neizņemiet neizjauciet drošības ierīces. Regulāri pārbaudiet, vai tās darbojas pareizi. Nekad neveiciet darbības, kas varētu traucēt drošības ierīces darbību vai samazināt aizsardzību, ko sniedz drošības ierīce.
10. Lietus laikā neatstājiet pļaujmašīnu ārpus telpām bez uzraudzības.
11. Nemazgājiet ierīci ar augstspiediena ūdens strūklu.
12. Mazgājot ierīci, raugieties, lai akumulators un atslēga ir izņemti un lai akumulatora vāks ir aizvērts, un ūdeni lejiet virzienā uz ierīces apakšpusi, kur ir piestiprināts asmens.
13. Novietojot ierīci glabāšanai, izvairieties no tiešiem saules stariem un lietus un novietojiet to vietā, kur nekļūst karsts vai mitrs.
14. Pārbaudes un apkopes darbus veiciet vietā, kur iespējams izvairīties no lietus.
15. Pēc pļaujmašīnas lietošanas notīriet netīrumus, pilnībā nožāvējiet pļaujmašīnu un tikai tad novietojiet to glabāšanā. Atkarībā no sezonas vai apgabala pastāv darbības traucējumu risks sasaldēšanas dēļ.

Elektrodrošība un akumulatora drošība

1. Akumulator(-s) nedrīkst atvērt vai sabojāt. Iztecējušais elektrolīts ir kodīgs un var nodarīt kaitējumu acim vai ādai. Norijot tas var būt toksisks.
2. Nelādējiet akumulatoru lietū vai mitrās vietās.
3. Nelādējiet akumulatoru ārpus telpām.
4. Neaiztieciēt lādētāju, kā arī lādētāja spraudni vai spaiļes ar slapjām rokām.
5. Neveiciet akumulatora nomaīnu lietū.
6. Nesamitriniet izvadu vai akumulatoru ar šķidrums, piemēram, ūdeni, vai neiegremdējiet akumulatoru. Neatstājiet akumulatoru lietū, kā arī nelādējiet, neizmantojiet vai neglabājiet akumulatoru mitrā vai slapjā vietā. Ja izvads kļūst mitrs vai akumulatorā iekļūst šķidrums, akumulatorā var rasties īsslēgums un pastāv pārkaršanas, aizdegšanās vai sprādziena risks.
7. Pēc akumulatora izņemšanas no ierīces vai lādētāja raugieties, lai akumulatora vāks tiek piestiprināts pie akumulatora, un glabājiet to sausā vietā.
8. Nemainiet akumulatoru ar mitrām rokām.
9. Izvairieties no bīstamas vides. Neizmantojiet ierīci mitrās vai slapjās vietās vai neatstājiet to lietū. Ja ierīcē iekļūst ūdens, palielināsies elektriskā trieciena risks.
10. Ja akumulatora kasetnē iekļūst ūdens, noteiciet ūdeni un izslaukiet kasetni ar sausu drānu. Pirms lietošanas pilnībā nožāvējiet akumulatora kasetni sausā vietā.

SAGLABĀJIET ŠOS NORĀDĪJUMUS.

BRĪDINĀJUMS: NEPIEĻAUJIET to, ka labu iemaņu vai izstrādājuma labas pārzināšanas (darbarīku atkārtoti ekspluatējot) rezultātā vairs stingri neievērojāt šī izstrādājuma drošības noteikumus. NEPAREIZI LIETOJOT darbarīku vai neievērojot šajā instrukcijā rokasgrāmatā minētos drošības noteikumus, var tikt gūtas smagas traumas.

Svarīgi drošības norādījumi par akumulatora kasetni

1. Pirms akumulatora lietošanas izlasiet visus norādījumus un brīdinājumus, kuri attiecas uz (1) akumulatora lādētāju, (2) akumulatoru un (3) ierīci, kurā tiek izmantots akumulators.
2. Akumulatora kasetni nedrīkst ne pārveidot, ne izjaukt. Citādi var tikt izraisīta aizdegšanās, pārmērīgs karstums vai sprādziens.
3. Ja akumulatora darbības laiks kļuva ievērojami īsāks, nekavējoties pārtrauciet to izmantot. Citādi, tas var izraisīt pārkarsējumu, uzliesmojumu vai pat sprādzienu.
4. Ja elektrolīts nonāk acīs, izskalojiet tās ar tīru ūdens un nekavējoties griezieties pie ārsta. Tas var izraisīt redzes zaudēšanu.
5. Neradiet īssavienojumu akumulatora kasetnē:
 - (1) Nepieskarieties spaiļēm ar elektrību vadošiem materiāliem.
 - (2) Neuzglabājiet akumulatoru kasetni kopā ar citiem metāla priekšmetiem, tādiem kā naglas, monētas u. c.
 - (3) Nepakļaujiet akumulatora kasetni ūdens vai lietus iedarbībai.Akumulatora īssavienojums var radīt spēcīgu strāvas plūsmu, pārkaršanu, uzliesmojumu un pat sabojāt akumulatoru.
6. Neglabājiet un neizmantojiet darbarīku un akumulatora kasetni vietās, kur temperatūra var sasniegt vai pārsniegt 50 °C (122 °F).
7. Nededziniet akumulatora kasetni, pat ja tā ir stipri bojāta vai pilnībā nolietota. Akumulatora kasetne uguni var eksplodēt.
8. Akumulatora kasetni nedrīkst naglot, griezt, saspīest, mest vai nomet, kā arī pa to nedrīkst sist ar cietu priekšmetu. Šādas darbības var izraisīt aizdegšanos, pārmērīgu karstumu vai sprādzienu.
9. Neizmantojiet bojātu akumulatoru.
10. Uz izmantotajiem litija jonu akumulatoriem attiecas likumdošanas prasības par bīstamiem izstrādājumiem.

Komerציālā transportēšanā, ko veic, piemēram, trešās puses, transporta uzņēmumi, jāievēro uz iesaiņojuma un marķējuma norādītās īpašās prasības.

Lai izstrādājumu sagatavotu nosūtīšanai, jāsažinās ar bīstamo materiālu speciālistu. Ievērojiet arī citus attiecināmos valsts normatīvus. Valējus kontaktus nosedziet ar līmlenti vai citādi pārklājiet, bet akumulatoru iesaiņojiet tā, lai sainītas nevarētu izkustēties.

11. Lai utilizētu akumulatora kasetni, izņemiet to no darbarīka un likvidējiet drošā vietā. Ievērojiet vietējos noteikumus par akumulatora likvidēšanu.
12. Izmantojiet šos akumulatorus tikai ar izstrādājumiem, kurus norādījis Makita. Ievietojot šos akumulatorus nesaderīgos izstrādājumos, var rasties ugunsgrēks, pārmērīgs karstums, tie var uzsprāgt vai no tiem var iztecēt elektrolīts.
13. Ja darbarīks netiks lietots ilgu laiku, no tā jāizņem akumulators.
14. Lietošanas laikā vai pēc tās akumulatora kasetne var uzkrāt siltumu, kas var izraisīt apdegumus vai zemas temperatūras apdegumus. Ar karstu akumulatora kasetni apejieties rūpīgi.
15. Nepieskarieties darbarīka izvadam uzreiz pēc lietošanas, jo tas var būt sakarsis un izraisīt apdegumus.
16. Neļaujiet akumulatora kasetnes spaiļēs, atvērēs un rievās uzkrāties skaidām, putekļiem vai netīrumiem. Tas var izraisīt sasilšanu, aizdegšanos, sprādzienu instrumenta vai akumulatora kasetnes nepareizu darbību, un lietotājs var gūt apdegumus vai ievainojumus.
17. Neizmantojiet akumulatora kasetni augstsprieguma līniju tuvumā, izņemot gadījumus, kad darbarīks ir piemērots lietošanai augstsprieguma līniju tuvumā. Citādi darbarīks vai akumulatora kasetne var sākt darboties nepareizi vai tikt sabojāti.
18. Glabājiet akumulatoru bērniem nepieejamā vietā.

SAGLABĀJIET ŠOS NORĀDĪJUMUS.

UZMANĪBU: Lietojiet tikai oriģinālos Makita akumulatorus. Ja lietojat neoriģinālus Makita akumulatorus vai pārveidotus akumulatorus, tie var uzsprāgt un izraisīt aizdegšanos, traumas un materiālos zaudējumus. Tikas anulēta arī Makita darbarīka un lādētāja garantija.

Ieteikumi akumulatora kalpošanas laika pagarināšanai

1. Uzlādējiet akumulatora kasetni, pirms tā ir pilnībā izlādējusies. Vienmēr, kad ievērojāt, ka darbarīka darba jauda zudusi, apturiet darbarīku un uzlādējiet akumulatora kasetni.
2. Nekad neuzlādējiet pilnībā uzlādētu akumulatora kasetni. Pārmērīga uzlāde saīsina akumulatora kalpošanas laiku.
3. Uzlādējiet akumulatora kasetni istabas temperatūrā 10 °C - 40 °C. Karstai akumulatora kasetnei pirms uzlādes ļaujiet atdzist.
4. Kad akumulatora kasetne netiek izmantota, izņemiet to no darbarīka vai lādētāja.
5. Uzlādējiet litija jonu akumulatora kasetni, ja to ilgstoši nelietosit (vairāk nekā sešus mēnešus).

MONTĀŽA

▲BRĪDINĀJUMS: Pirms darbošanās ap plaujmašīnu vienmēr pārbaudiet, vai bloķēšanas atslēga un akumulatora kasetne ir izņemta. Ja bloķēšanas atslēgu un akumulatora kasetni neizņem, tad, plaujmašīnai nejauši ieslēdzoties, var gūt smagas traumas.

▲BRĪDINĀJUMS: Neieslēdziet plaujmašīnu, ja tā nav pilnībā salikta. Nejauši ieslēdzot daļēji saliktu plaujmašīnu, var gūt smagas traumas.

Akumulatora vāka uzstādīšana

▲BRĪDINĀJUMS: Bloķēšanas atslēgu un akumulatora kasetni neievietojiet pirms akumulatora vāka uzstādīšanas. Neievērojot šo nosacījumu, var gūt smagas traumas.

Pirms plaujmašīnas lietošanas pilnībā uzstādiet akumulatora vāku. Akumulatora vāks plaujmašīnu un akumulatora kasetni aizsargā pret dubļiem, netīrumiem un ūdeni.

1. Novietojiet akumulatora pārsegu uz plaujmašīnas tā, lai tā izvīrziņumi savietotos ar akumulatora pārsega caurumiem.

► **Att.1:** 1. Izvīrziņums 2. Atvere 3. Akumulatora vāks

2. Akumulatora vāka vidū uzlieciet plaukstu un piespiediet vāku.

► **Att.2**

3. Pirms pirmās lietošanas reizes pārbaudiet, vai akumulatora vāka pagriešanas punkts ir piestiprināts pareizi. Ja akumulatora vāks uzstādīts pareizi, to nevarēs atvērt, nepavelkot akumulatora vāka fiksācijas sviru.

► **Att.3:** 1. Pagriešanas punkts 2. Akumulatora vāka fiksācijas svira

Roktura uzstādīšana

IEVĒRĪBAI: Uzstādot rokturus, vadus novietojiet tā, lai tie nevarētu iekerties starp rokturiem. Ja vads ir bojāts, plaujmašīnas slēdzis var nedarboties.

1. Abus apakšējā roktura galus iebīdīet plaujmašīnas rievās, tad pilnībā pievelciet saspiedēja skrūves.

► **Att.4:** 1. Saspiedēja skrūve 2. Apakšējais rokturis

2. Salāgojiet augšējā un apakšējā roktura skrūvju atveres. Rokturus nostipriniet ar saspiedēja skrūvēm un uzgriežņiem.

► **Att.5:** 1. Stiprinājuma uzgrieznis 2. Saspiedēja skrūve

PIEZĪME: Lai augšējais rokturis neizkristu jums no rokām, turiet to cieši.

3. Rokturim piestipriniet turētājus. Barošanas kabeli novietojiet tā, kā parādīts attēlā.

► **Att.6:** 1. Turētājs

Mulčēšanas spraudņa noņemšana

Papildpiederumi

1. Atveriet aizmugurējo pārsegu.

► **Att.7:** 1. Aizmugurējais pārsegs

2. Satveriet mulčēšanas spraudņa rokturi un tad izvelciet to no plaujmašīnas, kā parādīts attēlā.

► **Att.8:** 1. Mulčēšanas spraudnis 2. Rokturis

Zāles groza uzstādīšana

1. Atveriet aizmugurējo pārsegu.

► **Att.9:** 1. Aizmugurējais pārsegs

2. Pieāķējiet zāles grozu plaujmašīnas korpusa stienim, kā attēlots.

► **Att.10:** 1. Āķis 2. Stienis 3. Zāles grozs

Mulčēšanas spraudņa piestiprināšana

Papildpiederumi

1. Atveriet aizmugurējo pārsegu un izņemiet zāles grozu.

► **Att.11:** 1. Aizmugurējais pārsegs 2. Zāles grozs

2. Satveriet mulčēšanas spraudņa rokturi un tad piestipriniet to plaujmašīnai, kā parādīts attēlā.

► **Att.12:** 1. Mulčēšanas spraudnis 2. Rokturis

FUNKCIJU APRAKSTS

Akumulatora kasetnes uzstādīšana un izņemšana

▲UZMANĪBU: Pirms akumulatora kasetnes uzstādīšanas vai izņemšanas vienmēr izslēdziet ierīci.

▲UZMANĪBU: Pirms lietošanas pārbaudiet, vai akumulatora vāks ir bloķēts. Citādi dubji, netīrumi vai ūdens var izraisīt izstrādājuma vai akumulatora kasetnes bojājumus.

▲UZMANĪBU: Vienmēr ievietojiet akumulatora kasetni līdz galam, lai nav redzams sarkanās krāsas indikators. Citādi akumulators var nejauši izkrist no ierīces un radīt jums vai apkārtējiem traumas.

▲UZMANĪBU: Neievietojiet akumulatora kasetni ar spēku. Ja kasetne neslīd ietvarā viegli, tā nav pareizi ielikta.

PIEZĪME: Ierīce nedarbojas tikai ar vienu akumulatora kasetni.

Darbības akumulatora kasetnes uzstādīšanai

1. Pabīdīet akumulatora vāka fiksācijas sviru un atveriet akumulatora vāku.

► **Att.13:** 1. Akumulatora vāks 2. Akumulatora vāka fiksācijas svira

2. Savietojiet akumulatora kasetnes mēlīti ar atveri uz plaujmašīnas un bīdīet kasetni, līdz tā ar nelielu klikšķi nofiksējas vietā.

► **Att.14:** 1. Akumulatora kasetne

3. Bloķēšanas atslēgu ievietojiet attēlā redzamajā vietā līdz galam.

► **Att.15:** 1. Bloķēšanas atslēga

4. Aizveriet akumulatora vāku un bīdiēt, līdz to nofiksē fiksācijas svira.

Darbības akumulatora kasetnes izņemšanai no pļaujmašīnas

1. Pabīdiēt akumulatora vāka fiksācijas sviru un atveriet akumulatora vāku.
2. Akumulatora kasetni izņemiet no pļaujmašīnas, vienlaikus bīdot pogu kasetnes priekšpusē.
3. Izvelciēt bloķēšanas atslēgu.
4. Aizveriet akumulatora vāku.

Ierīces/akumulatora aizsardzības sistēma

Ierīce ir aprīkota ar ierīces/akumulatora aizsardzības sistēmu. Šī sistēma automātiski izslēdz motora barošanu, lai pagarinātu darbarīka un akumulatora darbmūžu. Lietošanas laikā darbarīks automātiski pārstās darboties, ja darbarīku vai akumulatoru pakļaus kādam no tālāk minētajiem apstākļiem.

Aizsardzība pret pārslodzi

Ja ierīces lietošanas laikā tiek patērēts pārmērīgi liels strāvas daudzums, ierīce automātiski pārstāj darboties bez iepriekšējas norādes. Šādā gadījumā izslēdziet darbarīku un pārtrauciet darbību, kas izraisa pārslodzi. Pēc tam ieslēdziet darbarīku, lai atsāktu darbu.

Aizsardzība pret pārkaršanu

Ja ierīce ir pārkarusi, tā automātiski apstājas. Pirms atkārtotas ieslēgšanas ļaujiet ierīcei atdzist.

Aizsardzība pret akumulatora pārmērīgu izlādi

Ja atlikusī akumulatora jauda ir zema, ierīce automātiski pārstāj darboties. Ja darbarīks nedarbojas, pat ieslēdzot slēdzus, izņemiet akumulatorus no darbarīka un uzlādējiet akumulatorus.

Atlikušās akumulatora jaudas indikators

► **Att.16:** 1. Akumulatora indikators











Kad atlikusī akumulatora jauda ir zema, attiecīgā akumulatora pusē sāk mirgot akumulatora indikators. Ja ierīci turpinā lietot, tā pārstāj darboties un deg akumulatora indikators. Šādā gadījumā uzlādējiet akumulatora kasetni.

Atlikušās akumulatora jaudas indikators

Tikai akumulatora kasetnēm ar indikatoru

Nospiediet akumulatora kasetnes pārbaudes pogu, lai pārbaudītu akumulatora atlikušo uzlādes līmeni. Indikatori iedegsies uz dažām sekundēm.

► **Att.17:** 1. Indikatora lampas 2. Pārbaudes poga

Indikatora lampas			Atlikusī jauda
			
			No 75% līdz 100%
			No 50% līdz 75%
			No 25% līdz 50%
			No 0% līdz 25%
			Uzlādējiet akumulatoru.
			Iespējama akumulatora kļūme.

PIEZĪME: Reālā jauda var nedaudz atšķirties no norādītās atkarībā no lietošanas apstākļiem un apkārtējās temperatūras.

PIEZĪME: Akumulatora aizsardzības sistēmas darbības laikā mirgo pirmais (kreisais malējais) indikators.

Slēdža darbība

▲BRĪDINĀJUMS: Pirms akumulatora kasetnes uzstādīšanas, vienmēr pārbaudiet, vai slēdža svira darbojas pareizi un pēc atlaišanas atgriežas sākotnējā stāvoklī. Lietojot mašīnu, kuras slēdzis nedarbojas pareizi, tā var kļūt nevadāma un radīt nopietnas traumas.

PIEZĪME: Pļaujmašīna nesāk darboties bez slēdža pogas nospiešanas pat tad, ja ir pārbīdīta slēdža svira.

PIEZĪME: Mēģinot pļaut garu, mitru zāli, pārslodzes dēļ pļaujmašīnu var neizdoties iedarbināt. Šādā gadījumā palieliniet pļaušanas augstumu.

Šī pļaujmašīna ir aprīkota ar bloķēšanas slēdzi un roktura slēdzi. Ja konstatējat, ka kāds no šiem slēdžiem darbojas nepareizi, nekavējoties pārtrauciet lietošanu un nododiet mašīnu pārbaudei tuvākajā pilnvarotajā Makita apkopes centrā.

1. Uzstādiet akumulatora kasetnes. Bloķēšanas atslēgu ievietojiet bloķēšanas slēdzī, tad aizveriet akumulatora vāku.

► **Att.18:** 1. Akumulatora kasetne 2. Bloķēšanas atslēga

2. Nospiediet un turiet slēdža pogu.
3. Satveriet augšējo rokturi un pavelciet slēdža sviru.
▶ **Att.19:** 1. Slēdža poga 2. Slēdža svira
4. Kad motors iedarbināts, atlaidiet slēdža pogu. Pļaujmašīna turpinās darboties, līdz atlaidīsiet slēdža sviru.
5. Lai apturētu motoru, atlaidiet slēdža sviru.

Pļaušanas augstuma regulēšana

▲BRĪDINĀJUMS: Nekad nelieciet rokas un kājas zem pļaujmašīnas, kad regulējat pļaušanas augstumu.

▲BRĪDINĀJUMS: Pirms lietošanas vienmēr pārbaudiet, vai svira pilnībā nofiksējusies rievā.

Pļaušanas augstumu var regulēt diapazonā no 20 mm līdz 75 mm.

1. Izņemiet bloķēšanas atslēgu.
2. Pļaušanas augstuma regulēšanas sviru pavelciet pret pļaujmašīnas korpusu un pārbīdīdiet vajadzīgajā pļaušanas augstumā.
▶ **Att.20:** 1. Pļaušanas augstuma regulēšanas svira

PIEZĪME: Pļaušanas augstumu norādošie skaitļi jāuzskata tikai par informatīviem. Mauriņa vai grunts stāvokļa dēļ faktiskais zāliena augstums var nedaudz atšķirties no iestatītā augstuma.

PIEZĪME: Lai noregulētu nepieciešamo augstumu, zāles pļaušanu izmēģiniet mazāk redzamā vietā.

Zāles līmeņa indikators

- ▶ **Att.21:** 1. Zāles līmeņa indikators

Zāles līmeņa indikators rāda nopļautās zāles daudzumu.

- Ja zāles grozs nav pilns, indikators pļaušanas laikā pārvietojas.
- Ja zāles grozs ir pilns, indikators pļaušanas laikā nepārvietojas. Šādā gadījumā nekavējoties pārtrauciet pļaut un iztukšojiet grozu. Pēc groza iztukšošanas to iztīriet, lai tā siets laistu cauri gaisu.

PIEZĪME: Šā indikatora rādījums ir aptuvens. Groza iekšpuses stāvokļa dēļ indikators var nedarboties pareizi.

Mulčēšanas spraudņa lietošana

Papildpiederumi

Mulčēšanas spraudnis ļauj atgriezt nopļauto zāli zemē, nesavācot to zāles grozā. Darbinot darbarīku, kuram ir uzstādīts mulčēšanas spraudnis, noteikti noņemiet zāles grozu.

IEVĒRĪBAI: Lietojiet ierīci, kurai ir uzstādīts mulčēšanas spraudnis, pārliecinieties, ka zāles garums pēc griešanas ir vismaz 30 mm un nogrieztais zāles garums ir 15 mm vai mazāk.

- ▶ **Att.22:** (1) 30 mm un vairāk (2) 15 mm un mazāk

EKSPLUATĀCIJA

Pļaušana

▲BRĪDINĀJUMS: Pirms pļaušanas no pļaušanas vietas aizvāciet žaģarus un akmeņus. Pļaušanas vietu attīriet arī no nezālēm.

▲BRĪDINĀJUMS: Lietojot pļaujmašīnu, vienmēr valkājiet aizsargbrilles vai brilles ar sānu aizsargiem.

▲UZMANĪBU: Ja nopļautā zāle vai svešķermeņi nobloķē pļaujmašīnas korpusa iekšpusi, izņemiet atslēgu un akumulatora kasetni, un noteikti uzvelciet cimdus, pirms noņemat zāli vai svešķermeņus.

IEVĒRĪBAI: Lietojiet šo ierīci tikai zāles pļaušanai. Nepļaujiet ar šo ierīci nezāles.

- ▶ **Att.23**

Pļaujot cieši ar abām rokām turiet zāles pļaujmašīnas rokturi.

Pļaušanas standarta ātrums ir aptuveni 1 metrs 4 sekundēs.

- ▶ **Att.24**

Priekšējo riteņu ārējās malas norāda pļaušanas platumu. Izmantojot priekšējo riteņu ārējās malas kā norādes, pļaujiet zāli joslās. Lai zālienu nopļautu līdzeni, pļaušanas joslai par vienu pusi vai trešdaļu jāpārklājas ar iepriekšējo joslu.

- ▶ **Att.25:** 1. Pļaušanas platums 2. Pārklāšanās zona 3. Ārējā mala

Pļaušanas virzienu katru reizi mainiet, lai zāles pļāvuma raksts neveidotos tikai vienā virzienā.

- ▶ **Att.26**

Periodiski pārbaudiet zāles groza saturu. Iztukšojiet grozu, pirms tas ir pilns. Pirms regulārās pārbaudes apturiet pļaujmašīnu, tad izņemiet bloķēšanas atslēgu un akumulatora kasetni.

IEVĒRĪBAI: Izmantojot pļaujmašīnu ar pilnu zāles grozu, asmeņi nevarēs brīvi griezties un motoram radīsies papildu slodze, kas var izraisīt bojājumus.

Pļaujot zālienu ar garu zāli

Nemēģiniet nopļaut garu zāli vienā paņēmienā. Labāk pļaujiet to vairākos piegājienos. Lai mauriņu nopļautu vienmērīgi tsi, pļaujiet ik pēc dienas vai divām.

PIEZĪME: Ja garu zāli vienā reizē nopļauj pavisam īsu, tā var iznīkt. Nopļautā zāle var iesprūst pļaujmašīnas korpusā.

Zāles groza iztukšošana

▲BRĪDINĀJUMS: Lai nepieļautu negadījumus, regulāri pārbaudiet, vai zāles grozs nav bojāts vai nodilis. Ja nepieciešams, nomainiet zāles grozu.

1. Atlaidiet slēdža sviru.
2. Izņemiet bloķēšanas atslēgu.
3. Atveriet aizmugurējo pārsegu un aiz roktura izņemiet zāles grozu.
▶ **Att.27:** 1. Aizmugurējais pārsegs 2. Rokturis
4. Iztukšojiet zāles grozu.

TEHNISKĀ APKOPE

▲BRĪDINĀJUMS: Vienmēr no plaujmašīnas izņemiet atslēgu un akumulatora kasetni pirms plaujmašīnas glabāšanas vai nešanas, vai pirms veicat pārbaudes vai apkopes darbus.

▲BRĪDINĀJUMS: Ja plaujmašīnu nelietojat, vienmēr izņemiet bloķēšanas atslēgu. Bloķēšanas atslēgu glabājiet drošā, bērniem neaizsniedzamā vietā.

▲BRĪDINĀJUMS: Veicot pārbaudi vai apkopi, valkājiet cimdus.

▲BRĪDINĀJUMS: Veicot plaujmašīnas apkopes vai pārbaudes darbus, vienmēr valkājiet aizsargbrilles vai brilles ar sānu aizsargiem.

IEVĒRĪBAI: Nekad neizmantojiet gazoilnu, benzīnu, atšķaidītāju, spirtu vai līdzīgus šķidrumus. Tas var radīt izbalēšanu, deformāciju vai plaisas.

Lai saglabātu izstrādājuma DROŠU un UZTICAMU darbību, remontdarbus, apkopi un regulēšanu uzticiet veikt tikai Makita pilnvarotam vai rūpnīcas apkopes centram, un vienmēr izmantojiet tikai Makita rezerves daļas.

Apkope

1. Izņemiet bloķēšanas atslēgu. Glabājiet to drošā, bērniem neaizsniedzamā vietā.
2. Plaujmašīnu tīriet tikai ar mitru drānu. Tīrīšanas laikā nesmidziniet un nelejiet uz plaujmašīnas ūdeni.
3. Plaujmašīnu nolieciet uz sāniem un iztīriet atgriezumus, kas uzkrājušies plaujmašīnas apakšā.
4. Pārbaudiet, vai uzgriežņi, bultskrūves, regulatori, skrūves, aizslēgi u.c. pievilkti cieši.
5. Pārbaudiet, vai kustīgās daļas nav bojātas, salūzušas vai nodilušas. Bojātas vai trūkstošās daļas jāremontē vai jāaizvieto.

Glabāšana

▲BRĪDINĀJUMS: Kad plaujmašīnu pārnesat vai novietojat glabātavā, turiet to nevis aiz salokāmā roktura, bet gan priekšējā roktura. Turot aiz salokāmajiem rokturiem, var gūt smagas traumas vai sabojāt plaujmašīnu.

Pirms plaujmašīnas uzglabāšanas izņemiet no tās akumulatora kasetni un bloķēšanas atslēgu. Uzglabājiet plaujmašīnu iekšējā pusē, sausā un slēgtā vietā. Neuzglabājiet plaujmašīnu un lādētāju vietās, kur temperatūra var sasniegt vai pārsniegt 40 °C.

- ▶ **Att.28:** 1. Priekšējais rokturis 2. Aizmugurējais rokturis
1. Atlaidiet saspiedēja skrūves un izvērsiet apakšējo rokturi uz abām pusēm. Rokturi nolaidiet uz priekšu. Tajā pašā laikā stingri turiet apakšējo rokturi, lai tas nenokristu plaujmašīnas korpusa tālākajā pusē.
▶ **Att.29:** 1. Saspiedēja skrūve 2. Apakšējais rokturis
 2. Atlaidiet stiprinājuma uzgriežņus un pagrieziet augšējo rokturi atpakaļ, vienlaikus izvēršot abas puses.
▶ **Att.30:** 1. Stiprinājuma uzgrieznis 2. Augšējais rokturis
 3. Zāles grozu glabājiet starp rokturi un plaujmašīnas korpusu.
▶ **Att.31:** 1. Zāles grozs

PIEZĪME: Novietojot plaujmašīnu vertikālā stāvoklī, neturiet rokturi, bet izmantojiet plaujmašīnas priekšējo rokturi.

Plaujmašīnas asmens noņemšana vai uzstādīšana

▲BRĪDINĀJUMS: Uzstādot vai noņemot asmeni, vienmēr izņemiet bloķēšanas atslēgu un akumulatora kasetni. Neizņemot bloķēšanas atslēgu un akumulatora kasetni, var gūt smagas traumas.

▲BRĪDINĀJUMS: Asmens pēc slēdža atlaišanas turpina kustēties pēc inerces. Neveiciet nekādas darbības, kamēr asmens nav pilnībā apstājies.

▲BRĪDINĀJUMS: Rīkojoties ar asmeni, vienmēr valkājiet cimdus.

Plaujmašīnas asmens noņemšana

Paredzēts modelim DLM382

1. Plaujmašīnu novietojiet uz sāniem tā, lai plaušānas augstuma regulēšanas svira atrastos augšpusē.
2. Lai bloķētu asmens rotāciju, plaujmašīnas korpusa atverē ievietojiet skrūvgriezi vai līdzīgu priekšmetu.
3. Ar uzgriežņu atslēgu grieziet skrūvi pretēji pulstenrādītāju kustības virzienam.
▶ **Att.32:** 1. Plaujmašīnas asmens 2. Skrūvgriezis 3. Uzgriežņu atslēga
4. Noņemiet bultskrūvi un asmeni norādītajā secībā.
▶ **Att.33:** 1. Asmens stiprinājums 2. Plaujmašīnas asmens 3. Bultskrūve

Paredzēts modelim DLM432

1. Pļaujmašīnu novietojiet uz sāniem tā, lai pļaušanas augstuma regulēšanas svira atrastos augšpusē.
2. Lai bloķētu asmens rotāciju, pļaujmašīnas korpusa atverē ievietojiet skrūvgriezi vai līdzīgu priekšmetu.
3. Ar uzgriežņu atslēgu grieziet skrūvi pretēji pulksteņrādītāju kustības virzienam.
▶ **Att.34:** 1. Pļaujmašīnas asmens 2. Skrūvgriezis 3. Uzgriežņu atslēga
4. Secīgi izskrūvējiet skrūvi, ņemiet ārējo atloku, pļaujmašīnas asmeni un iekšējo atloku.
▶ **Att.35:** 1. Iekšējais atloks 2. Pļaujmašīnas asmens 3. Ārējais atloks 4. Skrūve

Pļaujmašīnas asmens uzstādīšana

Lai uzstādītu pļaujmašīnas asmeni, ņemšanas darbības izpildiet pretējā secībā.

▲BRĪDINĀJUMS: Uzmanīgi uzstādiet pļaujmašīnas asmeni. Tam ir augšējā/apakšējā virsma. Novietojiet asmeni tā, lai griešanās virziena bulta būtu vērsta uz ārpusi.

▲BRĪDINĀJUMS: Lai asmeni nostiprinātu, skrūvi pievelciet pulksteņrādītāju kustības virzienā.

▲BRĪDINĀJUMS: Pārliecinieties, ka pļaujmašīnas asmens un visas fiksējošās daļas ir pareizi uzstādītas un cieši pievilktas.

▲BRĪDINĀJUMS: Nomainot asmeņus, vienmēr izpildiet norādījumus šajā rokasgrāmatā.

PROBLĒMU NOVĒRŠANA

Pirms nodošanas remontā vispirms veiciet pārbaudi pats. Ja konstatējat kļūmi, kas nav aprakstīta rokasgrāmatā, nemēģiniet darbarīku izjaukt. Dodieties uz Makita pilnvarotu apkopes centru un remontam vienmēr izmantojiet tikai Makita rezerves daļas.

Neatbilstošas darbības stāvoklis	Iespējamais iemesls (kļūme)	Risinājums
Pļaujmašīna nesāk darboties.	Nav uzstādītas divas akumulatora kasetnes.	Uzstādiet uzlādētas akumulatora kasetnes.
	Akumulatora kļūme (zems spriegums)	Uzlādējiet akumulatora kasetni. Ja uzlāde nav veiksmīga, nomainiet akumulatora kasetni.
	Nav ievietota bloķēšanas atslēga.	Ievietojiet bloķēšanas atslēgu.
Motors izslēdzas pēc neilgas darbināšanas.	Akumulatora uzlādes līmenis ir par zemu.	Uzlādējiet akumulatora kasetni. Ja uzlāde nav veiksmīga, nomainiet akumulatora kasetni.
	Griešanas augstums ir par mazu.	Palieliniet griešanas augstumu.
Motors nesasniedz maksimālo apgriezumu skaitu minūtē.	Akumulatora kasetne nav uzstādīta pareizi.	Akumulatora kasetni uzstādiet pēc norādījumiem šajā rokasgrāmatā.
	Samazinās akumulatora jauda.	Uzlādējiet akumulatora kasetni. Ja uzlāde nav veiksmīga, nomainiet akumulatora kasetni.
	Piedzīņas sistēma nedarbojas pareizi.	Ierīci aizgādājiet uz remontu vietējā pilnvarotā apkopes centrā.
Pļaujmašīnas asmens negriežas: ⇒ nekavējoties apturiet pļaujmašīnu!	Pie asmens iesprūdis kāds svešķermenis, piemēram, zars.	Izņemiet svešķermeni.
	Piedzīņas sistēma nedarbojas pareizi.	Ierīci aizgādājiet uz remontu vietējā pilnvarotā apkopes centrā.
Pārmērīga vibrācija: ⇒ nekavējoties apturiet pļaujmašīnu!	Asmens nav nolīmeņots, ir pārmērīgi vai nevienmērīgi nodilis.	Nomainiet asmeni.

PAPILDU PIEDERUMI

▲UZMANĪBU: Šādi piederumi un papildierīces tiek ieteiktas lietošanai ar šajā rokasgrāmatā aprakstīto Makita darbarīku. Izmantojot citus piederumus vai papildierīces, var tikt radīta trauma gūšanas bīstamība. Piederumu vai papildierīci izmantojiet tikai paredzētajam mērķim.

Ja jums vajadzīga palīdzība vai precīzāka informācija par šiem piederumiem, vērsieties savā tuvākajā Makita apkopes centrā.

- Pļaujmašīnas asmens
- Mulčēšanas spraudnis
- Makita oriģinālais akumulators un lādētājs

PIEZĪME: Daži sarakstā norādītie izstrādājumi var būt iekļauti instrumenta komplektācijā kā standarta piederumi. Tie dažādās valstīs var būt atšķirīgi.

SPECIFIKACIJOS

Modelis:		DLM382	DLM432
Pjovimo plotis (peilio skersmuo)		380 mm	430 mm
Be apkrovos		3 700 min ⁻¹	3 600 min ⁻¹
Pakaitinio vejjaprovės peilio dalies numeris		191D41-2	191D43-8
Matmenys (l x P x A)	dirbant	I: nuo 1 380 mm iki 1 410 mm P: 450 mm A: nuo 985 mm iki 1 005 mm	I: nuo 1 435 mm iki 1 490 mm P: 460 mm A: nuo 1 005 mm iki 1 045 mm
	Laikant (be žolės surinkimo krepšio)	860 mm x 450 mm x 475 mm	865 mm x 460 mm x 475 mm
Nominali įtampa		Nuol. sr. 36 V	
Grynasis svoris		15,5 - 16,5kg	16,0 - 16,9kg

- Atliekame tęstinius tyrimus ir nuolat tobuliname savo gaminius, todėl čia pateikiamos specifikacijos gali būti keičiamos be įspėjimo.
- Skirtingose šalyse specifikacijos gali skirtis.
- Svoris gali priklausyti nuo priedo (-ų), įskaitant akumuliatoriaus kasetę. Lengviausias ir sunkiausias deriniai pagal EPTA 2014 m. sausio mėn. procedūrą yra parodyti lentelėje.

Tinkama akumuliatoriaus kasetė ir (arba) įkroviklis

Akumuliatoriaus kasetė	BL1830B / BL1840B / BL1850B / BL1860B
Įkroviklis	DC18RC / DC18RD / DC18RE / DC18SD / DC18SE / DC18SF / DC18SH / DC18WC







- Atsižvelgiant į gyvenamosios vietos regioną, kai kurios pirmiau nurodytos akumuliatoriaus kasetės ir įkrovikliai gali būti neprieinami.

⚠️ JSPĖJIMAS: Naudokite tik akumuliatoriaus kasetes ir įkroviklius, kurie nurodyti anksčiau. Naudojant bet kurias kitas akumuliatoriaus kasetes ir įkroviklius, gali kilti sužeidimo ir gaisro pavojus.

⚠️ JSPĖJIMAS: Su šia mašina nenaudokite laidu prijungiamo maitinimo šaltinio, pavyzdžiui, akumuliatoriaus adapterio ar nešiojamojo maitinimo šaltinio. Tokio maitinimo šaltinio kabelis gali trukdyti dirbti ir sukelti sužalojimų.

Simboliai

Toliau yra nurodyti simboliai, kurie gali būti naudojami įrangai. Prieš naudodami įsitikinkite, kad suprantate jų reikšmę.

	Būkite itin atsargūs ir dėmesingi.
	Perskaitykite instrukcijų vadovą.
	Pavojus; saugokitės skriejančių objektų.
	Tarp įrankio ir šalia esančių žmonių turi būti bent 15 m atstumas.
	Laikykite rankas ir pėdas atokiai nuo vejjaprovės dugne esančių peilių. Išjungus variklį, vejjaprovės peiliai dar kurį laiką sukasi.
	Prieš atikdami tikrinimo, reguliavimo, valymo ir techninės priežiūros darbus, taip pat prieš palikdami vejjaprovę be priežiūros ir pastatydami ją į saugojimo vietą, ištraukite spynos raktą.



Įspėjimas: prieš atikdami techninės priežiūros darbus, atjunkite akumuliatorių.



Garantuojamas garso galios lygis pagal ES lauko triukšmo direktyvą.



Garso galios lygis pagal Australijos NSW triukšmo kontrolės reglamentą



Taikoma tik ES šalims
Kadangi įrangoje yra pavojingų komponentų, panaudota elektrinė ir elektroninė įranga, akumuliatoriai ir baterijos gali turėti neigiamą poveikį aplinkai ir žmonių sveikatai.
Nešalinkite elektros ir elektroninių prietaisų ar baterijų kartu su buitinėmis atliekomis! Pagal Europos direktyvą dėl elektros ir elektroninės įrangos atliekų bei akumuliatorių ir baterijų ir panaudotų akumuliatorių ir baterijų bei jos pritaikymą nacionaliniams įstatymams, panaudota elektros ir elektroninė įranga, baterijos ir akumuliatoriai turi būti surenkami atskirai ir pristatomi į atskirą buitinių atliekų surinkimo punktą, kuris veikia pagal aplinkos apsaugos taisykles.
Tai rodo perbrauktas konteinerio ant ratukų simbolis, pateiktas ant įrangos.

Numatytoji naudojimo paskirtis

Įrenginys skirtas tik vejai pjauti.

Triukšmas

Įprastas triukšmo A lygis, nustatytas pagal EN IEC 62841-4-3:

Modelis	Išmatuotasis garso galios lygis (L_{WA}): (dB(A))	Garantuotasis garso galios lygis (L_{WA}): (dB(A))
DLM382	91	94
DLM432	92	95

Modelis	Garso slėgio lygis (L_{pA}): (dB (A))	Garso slėgio lygio paklaida (K): (dB(A))
DLM382	81	3
DLM432	81	3

PASTABA: Paskelbta (-os) triukšmo reikšmė (-ės) nustatyta (-os) pagal standartinį testavimo metodą ir jį galima naudoti vienam įrankiui palyginti su kitu.

PASTABA: Paskelbta (-os) triukšmo reikšmė (-ės) taip pat gali būti naudojama (-os) norint preliminariai įvertinti triukšmo poveikį.

▲ISPĖJIMAS: Dėvėkite ausų apsaugą.

▲ISPĖJIMAS: Faktiškai naudojant elektrinį įrankį, keliamo triukšmo dydis gali skirtis nuo paskelbtos (-ų) reikšmės (-ių), priklausomai nuo būdu, kuriais yra naudojamas šis įrankis, ir ypač nuo to, kokio tipo ruošinys apdirbamas.

▲ISPĖJIMAS: Siekdami apsaugoti operatorių, būtina įvertinkite saugos priemones, remdamiesi vibracijos poveikio įvertinimu esant faktinėms naudojimo sąlygoms (atsižvelgdami į visas darbo ciklo dalis, pavyzdžiui, ne tik kiek laiko įrankis veikia, bet ir kiek kartų jis yra išjungiamas bei kai jis veikia be apkravų).

Vibracija

Vibracijos bendroji vertė (triacišio vektoriaus suma) nustatyta pagal EN IEC 62841-4-3 standartą:

Modelis DLM382

Vibracijos emisija (a_h): 2,5 m/s² arba mažiau
Paklaida (K): 2,0 m/s²

Modelis DLM432

Vibracijos emisija (a_h): 2,5 m/s² arba mažiau
Paklaida (K): 1,5 m/s²

PASTABA: Paskelbta (-os) vibracijos bendroji (-osios) reikšmė (-ės) nustatyta (-os) pagal standartinį testavimo metodą ir jį galima naudoti vienam įrankiui palyginti su kitu.

PASTABA: Paskelbta (-os) vibracijos bendroji (-osios) reikšmė (-ės) taip pat gali būti naudojama (-os) norint preliminariai įvertinti vibracijos poveikį.

▲ISPĖJIMAS: Faktiškai naudojant elektrinį įrankį, keliamos vibracijos dydis gali skirtis nuo paskelbtos (-ų) reikšmės (-ių), priklausomai nuo būdu, kuriais yra naudojamas šis įrankis, ir ypač nuo to, kokio tipo ruošinys apdirbamas.

▲ISPĖJIMAS: Siekdami apsaugoti operatorių, būtina įvertinkite saugos priemones, remdamiesi vibracijos poveikio įvertinimu esant faktinėms naudojimo sąlygoms (atsižvelgdami į visas darbo ciklo dalis, pavyzdžiui, ne tik kiek laiko įrankis veikia, bet ir kiek kartų jis yra išjungiamas bei kai jis veikia be apkravų).

Atitikties deklaracijos

Tik Europos šalims

Atitikties deklaracijos įtrauktos į šios naudojimo instrukcijos A priedą.

SAUGOS ĮSPĖJIMAI

Bendrieji įspėjimai dirbant elektriniais įrankiais

▲ISPĖJIMAS Perskaitykite visus saugos įspėjimus, nurodymus, peržiūrėkite paveikslėlius ir technines sąlygas, pateiktas su šiuo elektriniu įrankiu. Nesilaikant toliau pateiktų nurodymų, galima patirti elektros šoką, sunkų sužalojimą ir (arba) sukelti gaisrą.

Išsaugokite visus įspėjimus ir instrukcijas, kad galėtumėte jas peržiūrėti ateityje.

Terminas „elektrinis įrankis“ pateiktuose įspėjimuose reiškia į maitinimo tinklą jungiamą (laidinį) elektrinį įrankį arba akumuliatoriaus maitinamą (belaidį) elektrinį įrankį.

Akumuliatorinės vejaplovės saugos įspėjimai

1. **Nenaudokite vejaplovės esant blogam orui, ypač jei gali žaibuoti.** Taip sumažinsite žaibo nutrenkimo pavojų.
2. **Kruopščiai patikrinkite vietą, kurioje naudosite vejaplovę, ar nėra laukinių gyvūnų.** Veikianti vejaplovė gali sužaloti laukinius gyvūnus.
3. **Kruopščiai patikrinkite vietą, kurioje bus naudojama vejaplovė, ir surinkite visus akmenis, šakas, vielas, kaulus ir kitus pašalinius daiktus.** Nusviesti daiktai gali sužaloti.
4. **Prieš naudodami vejaplovę visada apžiūrėkite, ar peilis ir peilio mazgas nėra nusidėvėję arba pažeisti.** Nusidėvėję ar pažeistos dalys didina sužalojimo riziką.
5. **Dažnai tikrinkite, ar žolės gaudyklė nesusidėvėjusi ar nesugedusi.** Dėl susidėvėjusios ar sugedusios gaudyklės gali padidėti sužalojimo rizika.
6. **Laikykitės apsauginius įtaisus skirtose vietose.** Apsauginiai įtaisai turi būti tinkamos būklės ir tinkamai sumontuoti. Naudojant atsilaisvinusį, pažeistą arba tinkamai neveikiantį apsauginį įtaisą galima susižaloti.

7. **Pasirūpinkite, kad visose vėsinimo oro įtraukimo angose nebūtų šiukšlių.** Dėl užsikimšusių oro įleidimo angų ir šiukšlių prietaisais gali perkaiti ar gali kilti gaisro pavojus.
8. **Naudodami šią vejąpovę, visada avėkite neslidžią apsauginę avalynę. Niekuomet nedirbkite su vejąpove, jeigu esate basi arba avite atvirus sandalus.** Tai sumažina pėdų sužalojimo riziką, joms priilietus judantį peilį.
9. **Naudodami vejąpovę, visomet mūvėkite ilgus kelnes.** Dėl nepridengtos odos padidėja tikimybė patirti sužalojimų, kuriuos sukelia išsviesti objektai.
10. **Nepjaukite vejąpove šlapios žolės. Vaikščiokite, o ne bėgiokite.** Taip kils mažesnis pavojus paslysti, nugriūti ir susižaloti.
11. **Nenaudokite vejąpovės per didelio nuolydžio nuokalnėse.** Taip kils mažesnis pavojus nesuvaldyti įrankio, paslysti, nugriūti ir susižaloti.
12. **Dirbdami nuožulniose vietose, visada tvirtai stovėkite ir dirbkite skersai nuožulnumos – niekada neikite aukštyn arba žemyn taip pat būkite itin atsargūs, kai keičiate kryptį.** Taip kils mažesnis pavojus nesuvaldyti įrankio, paslysti, nugriūti ir susižaloti.
13. **Būkite itin atsargūs, važiuodami atbuline eiga arba traukdami vejąpovę savęs link. Visada žinokite aplinką.** Taip sumažės užkliuvimo dirbant tikimybė.
14. **Nelieskite peilių ir kitų pavojų keliančių judančių dalių, kol jos vis dar nesustoja.** Taip sumažės judančių dalių keliamo sužalojimo rizika.
15. **Šalindami įstrigusias medžiagas arba atlikdami vejąpovės techninę priežiūrą, įsitinkinkite, kad visi maitinimo mygtukai išjungti, o akumulatoriaus paketas išimtas arba atjungtas.** Naudojant vejąpovę ne taip, kaip numatyta, galima sunkiai susižeisti.

Papildomi saugos įspėjimai

Mokymas

1. **Atidžiai perskaitykite šią instrukciją.** Nuodugniai susipažinkite su valdikliais ir išsiaiškinkite, kaip tinkamai naudoti vejąpovę.
2. **Niekuomet neleiskite vejąpovės naudoti vaikams arba su šia instrukcija nesusipažinusiems žmonėms.** Operatoriaus amžius gali būti reglamentuojamas vietinių įstatymų.
3. **Niekuomet nenaudokite vejąpovės, jei netoliese yra žmonių, ypač vaikų ar naminių gyvūnų.**
4. **Atminkite, kad operatorius yra atsakingas už nelaimingus atsitikimus ar nelaimes, atsitikusias kitiems žmonėms, arba jų turtui padarytą žalą.**

Pasiruošimas

1. **Prieš padėdami pjauti žolę, įsitinkinkite, ar toje vietoje nėra kitų žmonių.** Išjunkite vejąpovę, jeigu į darbo vietą kas nors ateina.
2. **Nekiškite blokavimo raktelio į vejąpovę, kol ji nebus paruošta naudoti.**
3. **Saugokitės duobių, provėžų, nelygumų, akmenų ir kitų nematomų objektų.** Nelygioje vietoje galima paslysti ir griūti. Aukšta žolė gali slėpti kliūtis.
4. **Nekiškite ir neišimkite blokavimo raktelį lyjant.**

Naudojimas

1. **Išjunkite vejąpovę, ištraukite blokavimo raktelį ir įsitinkinkite, kad visos judančios dalys visiškai sustojo:**
 - kai paliecate vejąpovę be priežiūros;
 - prieš pradėdami valyti užsikimšimus arba prieš atkimšdami išmetimo lataką;
 - prieš tikrindami, valydami arba dirbdami prie vejąpovės.
2. **Jeigu vejąpovė užkliudo pašalinį objektą, atlikite šiuos veiksmus:**
 - Išjunkite vejąpovę, atleiskite svirtinį jungiklį ir palaukite, kol peilis visiškai sustos.
 - Ištraukite blokavimo raktelį ir išimkite akumulatoriaus kasetę.
 - Atidžiai apžiūrėkite vejąpovę, ar ji neapgadinta.
 - Pakeiskite peilį, jei jis kaip nors apgadintas. Prieš vėl paleisdami vejąpovę ir tęsdami darbą, pašalinkite bet kokius pažeidimus.
3. **Jei vejąpovė pradeda neįprastai vibruoti arba pastebite ką nors neįprasto, nedelsdami atlikite toliau nurodytus veiksmus.**
 - Išjunkite vejąpovę, atleiskite svirtinį jungiklį ir palaukite, kol peilis visiškai sustos.
 - Ištraukite blokavimo raktelį ir išimkite akumulatoriaus kasetę.
 - Apžiūrėkite, ar nėra pažeidimų, pakeiskite arba pataisykite bet kokius sugadintus dalis.
 - Patikrinkite, ar nėra atslaisavinusių dalių, ir jas priveržkite.
4. **Niekada nenaudokite vejąpovės su pažeistais apsauginiais skydais arba gaubtais ar be tinkamai sumontuotų saugos įtaisų, pavyzdžiui, kreiptuvų ir (arba) žolės surinkimo krepšio.**
5. **Vejąpovę naudokite tik dienos metu arba esant geram dirbtiniam apšvietimui.**
6. **Atsargiai įjunkite vejąpovę, kaip nurodyta instrukcijoje; pėdos turi būti pakankamu atstumu nuo peilio (-ių).**
7. **Saugokitės, kad vejąpovės peilis nesužeistų kojų ir rankų.**
8. **Sustabdykite peilį (-ius), jeigu vejąpovę reikia paversti, kad ją galima būtų perkelti per žolę neapaugusius paviršius, ir gabendami vejąpovę iš vietos, kurioje ji buvo naudojama, ir į tą vietą, kurioje ji bus naudojama.**
9. **Paleisdami variklį, vejąpovės nepakreipkite, išskyrus tą atvejį, jeigu vejąpovę reikia pakreipti, kad ją būtų galima paleisti. Tokiu atveju pakreipkite ją tik tiek, kiek tai visiškai būtina, ir kelkite tik tą dalį, kuri yra nukreipta tolyn nuo operatoriaus. Prieš nuleisdami vejąpovę ant žemės, visada užtikrinkite, kad abi rankos būtų darbinėje padėtyje.**
10. **Nekiškite rankų ar kojų artyn prie besisukančių dalių arba po jomis. Visada stovėkite atokiai nuo išmetimo angos.**
11. **Visada tvirtai laikykite rankeną.**
12. **Paimdami arba laikydami vejąpovę, neimkite už atvirų pjovimo peilių arba pjovimo briaunų.**

13. Laikykite pėdas ir rankas atokiai nuo besisukančių peilių. Dėmesio – išjungus vejaplovę, pjovimo peiliai dar sukasi iš inercijos.
14. Nereguliokite pjovimo aukščio, kai vejaplovė veikia, jei vejaplovė turi pjovimo aukščio reguliavimo funkciją.
15. Prieš kirsdami kelius, takus, vieškelius ir bet kokias žvyru padengtas vietas, atleiskite svirtinį jungiklį ir palaukite, kol peiliai nebesuks. Taip pat ištraukite blokavimo raktelį, jeigu vejaplovę paliekate be priežiūros, jeigu siekiate kažką pakelti arba patraukti iš kelio, arba dėl bet kokios kitos priežasties, kuri gali atitraukti jus nuo atliekamo darbo.
16. Neužveskite vejaplovės variklio, stovėdami priešais išmetimo angą.
17. Išmetamos medžiagos niekada nenukreipkite į kitus žmones. Stenkitės nemesti medžiagos sienos ar kliūties link. Medžiaga gali atšokti atgal operatoriaus link. Kirsdami žvyruotus paviršius, sustabdykite peilį.
18. Vejaplovės netraukite atgal, nebent tai būtų būtina. Kai vejaplovę tenka atitraukti nuo tvoros ar kitos panašios kliūtis ir prieš eidami atbulomis, pasižiūrėkite žemyn ir atgal.
19. Prieš nuimdami žolės gaudyklę, išjunkite variklį ir palaukite, kol peilis visiškai nustos sukstis. Turėkite omenyje, kad išjungus vejaplovę, peiliai dar sukasi iš inercijos.
20. Kai naudojate mašiną ant purvinos dirvos, drėgno nuolydžio ar slidžios vietos, atkreipkite dėmesį į pagrindą po kojomis.
21. Venkite dirbti netinkamoje aplinkoje, kurioje tikėtina, kad naudotojas labiau pavargs.
22. Nenaudokite mašinos prastu oru, kai matomumas ribotas. To nepadarius, dėl silpno matomumo galite apversti mašiną arba ji gali netinkamai veikti.
23. Nenaudokite mašinos balose.
24. Jei lyjant prie siurbimo angos (ventiliacijos langelio) priilpo drėgnas lapas ar purvas, pašalinkite juos.
25. Nenaudokite mašinos ant sniego.
26. Jei nupjauta žolė yra šlapia, ji gali užkimšti mašinos vidų. Reguliariai tikrinkite mašinos būklę ir prirėikus šalinkite susikaupusią žolę.
27. Naudodami mašiną atkreipkite dėmesį į vamzdelius ir laidus.

Techninė priežiūra ir laikymas

1. Vejaplovę reguliariai apžiūrėkite ir sutvarkykite.
2. Visos varžlės, varžtai ir sraigčiai turi būti tvirtai prisukti, kad būtų užtikrintos saugios įrenginio darbo sąlygos.
3. Dažnai tikrinkite, ar žolės surinkimo krepšys nesusidėvėjęs ir yra tinkamos būklės. Prieš pastatydami įrenginį, būtinai ištuštinkite žolės surinkimo krepšį. Norėdami užtikrinti saugą, nusidėvėjusį žolės surinkimo krepšį pakeiskite nauju originaliu atsarginiu krepšiu.
4. Naudokite tik šioje instrukcijoje nurodytus originalius peilius.
5. Reguluodami vejaplovę būkite atsargūs, kad pirštų neįtrauktų judantys peiliai ir nejudančios jos dalys.
6. Dažnai tikrinkite, ar tinkamai priveržti peilių montavimo varžtai.

7. Prieš pastatydami vejaplovę į saugojimo vietą, palaukite, kol ji visiškai atvės.
8. Prieš pradėdami peilių techninės priežiūros darbus, nepamirškite, kad nors maitinimo šaltinis yra išjungtas, peiliai vis tiek gali sukstis.
9. Niekada nenuimkite ir negadinkite apsauginių įtaisų. Reguliariai tikrinkite, ar jie gerai veikia. Nedarykite nieko, kas apsauginiam įtaisui trukdytų atlikti jo funkciją ar sumažintų jo suteikiamą apsaugą.
10. Nepalikite mašinos lauke lyjant.
11. Neplaukite mašinos aukšto slėgio vandeniu.
12. Plaudami mašiną, būtinai išimkite akumuliatorių ir blokavimo mygtuką, uždarykite akumuliatoriaus dangtelį ir pilkite vandenį mašinos apačios link, kur pritvirtintas peilis.
13. Mašinos laikymo vietoje neturėtų būti tiesioginių saulės spindulių ir lietaus; laikykite ją ten, kur ji nesuslaps ir neįkais.
14. Atlikite patikrinimą ar techninę priežiūrą ten, kur galima išvengti lietaus.
15. Baigę naudoti mašiną, prieš statydami ją sandėliuoti, pašalinkite prikibusius nešvarumus ir visiškai išdžiovinkite mašiną. Priklausomai nuo sezono arba regiono, dėl užšalimo mašina gali sugesti.

Elektros ir akumuliatoriaus sauga

1. Neatidarykite ir neardykite akumuliatoriaus (-ių). Ištekėjęs elektrolitas yra ėsdinančioji medžiaga, kuri gali pažeisti akis ar odą. Nurytas jis gali apnuodyti.
2. Nenaudokite akumuliatoriaus lyjant arba drėgnose vietose.
3. Nekraukite akumuliatoriaus lauke.
4. Neimkite įkroviklio, įskaitant įkroviklio kištuką ir gnybtus, drėgnomis rankomis.
5. Nekeiskite akumuliatoriaus lyjant.
6. Negalima šlapinti akumuliatoriaus gnybto skysčiu, pvz., vandeniu, arba panardinti akumuliatoriaus. Nepalikite akumuliatoriaus lietuje, neįkraukite, nenaudokite ir nekeiskite akumuliatoriaus šlapioje arba drėgnoje vietoje. Jei gnybtas sušlampa arba į akumuliatoriaus vidų patenka skysčio, gali kilti trumpasis akumuliatoriaus jungimas ir perkaitimo, gaisro arba sprogimo pavojus.
7. Išėmę akumuliatorių iš mašinos arba įkroviklio, būtinai uždėkite akumuliatoriaus dangtelį ant akumuliatoriaus ir laikykite jį sausoje vietoje.
8. Nekeiskite akumuliatoriaus šlapiomis rankomis.
9. Nedirbkite pavojingomis sąlygomis. Nenaudokite šio įrenginio drėgnoje arba šlapioje vietoje, saugokite jį nuo lietaus. Į įrenginį patekęs vanduo padidins elektros smūgio pavojų.
10. Jeigu akumuliatoriaus kasetė sudrėksta, pašalinkite vandenį iš vidaus ir tuomet išvalykite sausa šluoste. Prieš naudodami, visiškai išdžiovinkite akumuliatoriaus kasetę sausoje vietoje.

SAUGOKITE ŠIAS INSTRUKCIJAS.

⚠️ JSPĖJIMAS: NELEISKITE, kad patogumas ir gaminio pažinimas (įgyjamas pakartotinai naudojant) susilpnintų griežtą saugos taisyklių, taikytinų šiam gaminiui, laikymąsi. Dėl **NETINKAMO NAUDOJIMO** arba saugos taisyklių, kurios pateiktos šioje instrukcijoje, nesilaikymo galima rimtai susižeisti.

Svarbios saugos instrukcijos, taikomos akumulatoriaus kasetei

1. Prieš naudodami akumulatoriaus kasetę, perskaitykite visas instrukcijas ir perspėjimus ant (1) akumuliatorių įkroviklio, (2) akumuliatorių ir (3) akumuliatorių naudojančio gaminio.
2. Neardykite ir negadinkite akumulatoriaus kasetės. Dėl to ji gali užsidegti, per daug įkaisti arba sprogti.
3. Jei įrankio darbo laikas žymiai sutrumpėjo, nedelsdami nutraukite darbą su įrankiu. Tai gali kelti perkaitimo, nudegimų ar net sprogdimo pavojų.
4. Jei elektrolitas pateko į akis, plaukite jas tyru vandeniu ir nedelsdami kreipkitės į gydytoją. Gali kilti regėjimo praradimo pavojus.
5. Neužtrumpinkite akumulatoriaus kasetės:
 - (1) Nelieskite kontaktų degiomis medžiagomis.
 - (2) Venkite laikyti akumulatoriaus kasetę kartu su kitais metaliniais daiktais, pavyzdžiui, vinimis, monetomis ir pan.
 - (3) Saugokite akumulatoriaus kasetę nuo vandens ir lietaus.Trumpasis jungimas akumuliatorių gali sukelti stiprią srovę, perkaitimą, galimus nudegimus ar net akumulatoriaus gedimą.
6. Nelaiikykite ir nenaudokite įrankio ir akumulatoriaus kasetės vietoje, kur temperatūra gali pasiekti ar viršyti 50 °C (122 °F).
7. Nedeginkite akumulatoriaus kasetės, net jei yra stipriai pažeista ar visiškai susidėvėjusi. Ugnyje akumulatoriaus kasetė gali sprogti.
8. Akumulatoriaus kasetės nekalkite, nepjausykite ir nemėtykite ir taip pat jį netrancykite kietai daiktui. Taip elgiantis, ji gali užsidegti, per daug įkaisti arba sprogti.
9. Nenaudokite pažeisto akumulatoriaus.
10. Įdėtoms ličio jonų akumuliatoriams taikomi Pavojingų prekių teisės akto reikalavimai. Komeracinis transportas, pvz., trečiųjų šalių, prekių vežimo atstovų, turi laikytis specialaus reikalavimo ant pakuotės ir ženklavimo. Norėdami paruošti siūstiną prekę, pasitarkite su pavojingų medžiagų specialistu. Be to, laikykitės galimai išsamesnių nacionalinių reglamentų. Užklijuokite juosta arba padenkite atvirus kontaktus ir supakuokite akumuliatorių taip, kad ji pakuotėje nejudėtų.
11. Kai išmetate akumulatoriaus kasetę, išimkite ją iš įrankio ir išmeskite saugioje vietoje. Vadovaukitės vietos reglamentais dėl akumuliatorių išmetimo.

12. Baterijas naudokite tik su „Makita“ nurodytais gaminiais. Baterijas įdėjus į netinkamus gaminius gali kilti gaisras, gaminys pernelyg kaisti, kilti sprogdimas arba pratekėti elektrolitas.
13. Jei įrankis bus ilgą laiką nenaudojamas, akumuliatorių būtina išimti iš įrankio.
14. Darbo metu ir po akumuliatorių kasetės gali būti įkaitusi ir dėl to nudeginti. Imdami akumulatoriaus kasetes, būkite atsargūs.
15. Tuojau pat po naudojimo nelieskite įrankio gnybtų, nes jie gali būti įkaitę tiek, kad nudegins.
16. Neleiskite, kad į akumulatoriaus kasetės gnybtus, angas ir griovelius patektų drožlių, dulkių ar žemių. Jos gali sukelti kaitimą, užsidegti, sprogti ir sukelti įrankio ar akumulatoriaus kasetės gedimą, dėl ko galima nusideginti ar susižaloti.
17. Jeigu įrankis nėra pritaikytas naudoti šalia aukštos įtampės elektros linijų, akumulatoriaus kasetės nenaudokite šalia aukštos įtampės elektros linijų. Dėl to gali sutrikti įrankio ar akumulatoriaus kasetės veikimas arba jie gali sugesti.
18. Laikykite akumuliatorių vaikams nepasiekiamoje vietoje.

SAUGOKITE ŠIAS INSTRUKCIJAS.

⚠️ PERSPĖJIMAS: Naudokite tik originalų „Makita“ akumuliatorių. Neoriginalaus „Makita“ arba pakeisto akumulatoriaus naudojimas gali nulemti gaisrą, asmens sužeidimą ir pažeidimą. Tai taip pat panaikina „Makita“ suteikiamą „Makita“ įrankio ir įkroviklio garantiją.

Patarimai, ką daryti, kad akumulatoriaus veiktų kuo ilgiau

1. Pakraukite akumulatoriaus kasetę prieš jai visiškai išsikraunant. Visuomet nustokite naudoti įrankį ir pakraukite akumulatoriaus kasetę, kai pastebite, kad įrankio galia sumažėjo.
2. Niekada nekraukite iki galo įkrautos akumulatoriaus kasetės. Perkraunant trumpėja akumulatoriaus eksploatacijos laikas.
3. Akumulatoriaus kasetę kraukite esant kambario temperatūrai 10 - 40 °C. Prieš pradėdami krauti, leiskite įkaitusiai akumulatoriaus kasetei atvėsti.
4. Kai akumulatoriaus kasetės nenaudojate, ją išimkite iš įrankio ar įkroviklio.
5. Įkraukite akumulatoriaus kasetę, jei jos nenaudojate ilgą laiką (ilgiau nei šešis mėnesius).

SURINKIMAS

⚠️ JSPĖJIMAS: Prieš pradėdami bet kokius vejamųjų techninės priežiūros, valymo arba reguliavimo darbus, visuomet būtinai ištraukite fiksavimo raktą ir išimkite akumuliatoriaus kasetę. Neištraukus fiksavimo rakto ir neišėmus akumuliatoriaus kasetės, galima sunkiai susižeisti dėl atsitiktinio įrenginio paleidimo.

⚠️ JSPĖJIMAS: Niekada nepaleiskite vejamųjų, kol ji nėra visiškai surinkta. Naudojant iš dalies surinktą mašiną, ji gali netyčia pasileisti ir sunkiai sužeisti.

Akumuliatoriaus skyriaus dangtelio montavimas

⚠️ JSPĖJIMAS: Neįkiškite blokavimo rakto ir akumuliatoriaus kasetės, kol nesumontuosite akumuliatoriaus skyriaus dangtelio. Nesilaikant šių nurodymų, kyla pavojus sunkiai susižeisti.

Prieš darbą visiškai uždarykite akumuliatoriaus skyriaus dangtelį. Akumuliatoriaus skyriaus dangtelis apsaugo vejamąją ir akumuliatoriaus kasetę nuo purvo, nešvarumų ir vandens.

1. Akumuliatoriaus skyriaus dangtelį uždėkite taip, kad ant vejamųjų esančios iškyšos sutaptų su akumuliatoriaus dangtyje esančiomis skylutėmis.

► **Pav.1:** 1. Iškyša 2. Skylutė 3. Akumuliatoriaus skyriaus dangtelis

2. Dėkite rankas ant akumuliatoriaus skyriaus dangtelio vidurio ir paspauskite jį.

► **Pav.2**

3. Prieš naudodami pirmą kartą, patikrinkite, ar tinkamai pritvirtinta akumuliatoriaus skyriaus dangtelio sukimosi ašis. Jei akumuliatoriaus skyriaus dangtelis uždėtas tinkamai, jis atsidarys tik patraukus už akumuliatoriaus skyriaus dangtelio svirties.

► **Pav.3:** 1. Sukimosi ašis 2. Akumuliatoriaus skyriaus dangtelio svirtis

Rankenos montavimas

PASTABA: Montuodami rankenas, laidus nutieskite taip, kad niekas jų neįtrauktų tarp rankenų. Jei laidas pažeistas, vejamųjų jungiklis gali neveikti.

1. Abu apatinės rankenos galus stumkite į vejamųjų griovelius, tada visiškai priveržkite suveržimo varžtais.

► **Pav.4:** 1. Suveržimo varžtas 2. Apatinė rankena

2. Sulygiuokite viršutinės ir apatinės rankenų skylutes varžtams. Fiksuokite jas suveržimo varžtais ir veržlėmis.

► **Pav.5:** 1. Suveržimo veržlė 2. Suveržimo varžtas

PASTABA: Tvirtai laikykite už viršutinės rankenos, kad ji neiškristų jums iš rankos.

3. Pritvirtinkite laikiklius prie rankenos. Maitinimo tiekimo laidą nustatykite, kaip parodyta paveikslėlyje.

► **Pav.6:** 1. Laikiklis

Mulčiavimo kaiščio nuėmimas

Pasirenkamasis priedas

1. Atidarykite galinį dangtelį.

► **Pav.7:** 1. Galinis dangtelis

2. Mulčiavimo kaištį laikydami už rankenos, kaip parodyta paveikslėlyje, ištraukite iš vejamųjų korpuso.

► **Pav.8:** 1. Mulčiavimo kaištis 2. Rankena

Žolės surinkimo krepšio montavimas

1. Atidarykite galinį dangtelį.

► **Pav.9:** 1. Galinis dangtelis

2. Prikabinkite žolės krepšį ant vejamųjų stropo, kaip parodyta paveikslėlyje.

► **Pav.10:** 1. Kablys 2. Strypas 3. Žolės surinkimo krepšys

Mulčiavimo kaiščio uždėjimas

Pasirenkamasis priedas

1. Atidarykite galinį dangtelį ir išimkite žolės surinkimo krepšį.

► **Pav.11:** 1. Galinis dangtelis 2. Žolės surinkimo krepšys

2. Mulčiavimo kaištį laikydami už rankenos, kaip parodyta paveikslėlyje, uždėkite ant vejamųjų korpuso.

► **Pav.12:** 1. Mulčiavimo kaištis 2. Rankena

VEIKIMO APRAŠYMAS

Akumuliatoriaus kasetės uždėjimas ir nuėmimas

⚠️ PERSPĖJIMAS: Prieš įdėdami arba išimdami akumuliatoriaus kasetę, visada išjunkite mašiną.

⚠️ PERSPĖJIMAS: Prieš pradėdami naudoti, įsitikinkite, ar akumuliatoriaus dangtelis užfiksuotas. Kitaip gali patekti purvo, nešvarumų arba vandens ir gaminyje arba akumuliatoriaus kasetėje gali sugesti.

⚠️ PERSPĖJIMAS: Akumuliatoriaus kasetę visada įkiškite iki galo, kol nebematysite raudono indikatorius. Kitaip ji gali atsitiktinai iškristi iš mašinos ir sužeisti jus arba aplinkinius žmones.

⚠️ PERSPĖJIMAS: Nekiškite akumuliatoriaus kasetės jėga. Jeigu kasetė sunkiai lenda, ją kišate netinkamai.

PASTABA: Mašina neveikia tik su viena akumuliatoriaus kasete.

Norėdami įdėti akumulatoriaus kasetę;

1. Slinkite akumulatoriaus skyriaus dangtelio svirtį savęs link ir atidarykite akumulatoriaus skyriaus dangtelį.
▶ **Pav.13:** 1. Akumulatoriaus skyriaus dangtelis
2. Akumulatoriaus skyriaus dangtelio svirtis
2. Sulygiuokite akumulatoriaus kasetės liežuvėlį su grioveliu ir įstumkite kasetę, kad ji spragtelėdama užsifiksuotų.
▶ **Pav.14:** 1. Akumulatoriaus kasetė
3. Iki galo įkiškite fiksavimo raktą į paveikslėlyje parodytą vietą.
▶ **Pav.15:** 1. Fiksavimo raktas
4. Uždarykite akumulatoriaus skyriaus dangtelį ir spauskite jį tol, kol fiksavimo svirtis jį užsklės.

Norėdami ištraukti akumulatoriaus kasetę iš vejapjovės;

1. Slinkite akumulatoriaus skyriaus dangtelio svirtį savęs link ir atidarykite akumulatoriaus skyriaus dangtelį.
2. Stumdami mygtuką, esantį kasetės priekyje, ištraukite akumulatoriaus kasetę iš vejapjovės.
3. Ištraukite fiksavimo raktą.
4. Uždenkite akumulatoriaus skyriaus dangtelį.

Mašinos / akumulatoriaus apsaugos sistema

Mašinoje įrengta mašinos / akumulatoriaus apsaugos sistema. Ši sistema automatiškai atjungia variklio maitinimą, kad įrankis ir akumulatorius ilgiau veiktų. Susidarius vienai iš toliau nurodytų mašinos arba akumulatoriaus darbo sąlygų, mašina darbo metu automatiškai išsijungs.

Apsauga nuo perkrovos

Kai mašina naudojama taip, kad neįprastai padidėja naudojama elektros srovė, mašina automatiškai sustoja be jokių indikacijų. Tokiu atveju išjunkite įrenginį ir nutraukite darbą, dėl kurio kilo perkrova. Tada vėl įjunkite įrenginį.

Apsauga nuo perkaitimo

Kai mašina perkaista, ji automatiškai sustoja. Palaukite, kol mašina atvės, prieš vėl ją įjungdami.

Apsauga nuo visiško išsikrovimo

Kai likusi akumulatoriaus galia tampa per maža, mašina automatiškai sustoja. Jeigu gaminyje neveikia net ir spaudžiant jungiklius, akumulatorius išimkite iš mašinos ir įkraukite.

Likusios akumulatoriaus galios rodymas

▶ **Pav.16:** 1. Akumulatoriaus indikatorius

Kai akumulatoriuje lieka mažai energijos, atitinkamo akumulatoriaus pusėje pradeda mirksėti akumulatoriaus indikatorius. Jei įrenginys naudojamas toliau, jis sustoja ir įsijungia akumulatoriaus indikatorius. Tokiu atveju įkraukite akumulatorių.

Likusios akumulatoriaus galios rodymas

Tik akumulatoriaus kasetėms su indikatoriumi

Paspauskite akumulatoriaus kasetės tikrinimo mygtuką, kad būtų rodoma likusi akumulatoriaus energija. Maždaug trims sekundėms užsidegs indikatorius lemputės.

▶ **Pav.17:** 1. Indikatorius lemputės 2. Tikrinimo mygtukas

Indikatorius lemputės			Likusi galia
Šviečia	Nešviečia	Blyksti	
			75 - 100 %
			50 - 75 %
			25 - 50 %
			0 - 25 %
			Įkraukite akumulatorių.
			Galimai įvyko akumulatoriaus veikimo triktis.

PASTABA: Rodmuo gali šiek tiek skirtis nuo faktinės energijos lygio – tai priklauso nuo naudojimo sąlygų ir aplinkos temperatūros.

PASTABA: Veikiant akumulatoriaus apsaugos sistemai ims mirksėti pirmoji (toliausiai kairėje) indikatoriaus lemputė.

Jungiklio veikimas

ĮSPĖJIMAS: Prieš įdėdami akumulatoriaus kasetę, visada patikrinkite, ar svirtinis jungiklis veikia tinkamai ir atleistas sugrįžta į pradinę padėtį. Naudojant mašiną, kurios jungiklis netinkamai veikia, galima jos nesuvaldyti ir sunkiai susižaloti.

PASTABA: Nepaspausdus įjungimo mygtuko, vejapjovė nepasileidžia net ir patraukus už svirtinio jungiklio.

PASTABA: Vejapjovės variklis gali būti neužvestas dėl perkrovos, kai vienu metu pjaunate ilgai ar tankią žolę. Tokiu atveju padidinkite pjovimo aukštį.

Šioje vejapjovėje įrengtas blokavimo jungiklis ir rankenos jungiklis. Jeigu pastebėtumėte, kad kuris nors iš šių jungiklių veikia neįprastai, tuoj pat nutraukite darbą ir pasirūpinkite, kad jie būtų patikrinti artimiausiame „Makita“ įgaliotajame techninės priežiūros centre.

1. Įdėkite akumulatoriaus kasetes. Įkiškite fiksavimo raktą į blokavimo jungiklį, tada uždenkite akumulatoriaus skyriaus gaubtą.

▶ **Pav.18:** 1. Akumulatoriaus kasetė 2. Fiksavimo raktas

2. Paspauskite mygtuką ir jį palaikykite.
 3. Suimkite už viršutinės rankenos ir patraukite už svirtinio jungiklio.
- **Pav.19:** 1. Mygtukas 2. Svirtinis jungiklis
4. Kai tik variklis pasileidžia, įjungimo mygtuką atleiskite. Vejapjovė veiks, kol neatleisite svirtinio jungiklio.
 5. Jeigu norite išjungti variklį, atleiskite svirtinį jungiklį.

Žolės pjovimo aukščio reguliavimas

ĮSPĖJIMAS: Reguluodami žolės pjovimo aukštį, niekada nekiškite rankų ar kojų po vejapjovės korpusu.

ĮSPĖJIMAS: Prieš pradėdami darbą, visada įsitikinkite, ar svirtis tinkamai įtaisyta griovelyje.

Žolės pjovimo aukštį galima reguliuoti nuo 20 mm iki 75 mm.

1. Ištraukite fiksavimo raktą.
 2. Patraukite žolės pjovimo aukščio reguliavimo svirtį vejapjovės korpuso išorės link ir nustatykite ją ties norimu žolės pjovimo aukščiu.
- **Pav.20:** 1. Žolės pjovimo aukščio reguliavimo svirtis

PASTABA: Žolės pjovimo aukščio paveikslėliai yra tik orientacinio pobūdžio. Atsižvelgiant į vejos ar žemės paviršiaus sąlygas, faktinis vejos aukštis gali šiek tiek skirtis nuo nustatytojo.

PASTABA: Pradžioje pabandykite pjauti žolę mažiau pastebimoje vietoje, kad nustatytumėte pageidaujamą aukštį.

Žolės lygio indikatorius

- **Pav.21:** 1. Žolės lygio indikatorius

Žolės lygio indikatorius rodo nupjautos žolės kiekį.

- Kai žolės surinkimo krepšys nepilnas, pjaunant žolę indikatorius juda.
- Kai žolės surinkimo krepšys pilnas, pjaunant žolę indikatorius nejuda. Tokiu atveju tuoj pat liaukitės pjovę žolę ir ištuštinkite krepšį. Ištuštinę krepšį, išvalykite jį, kad pro tinklę galėtumėte išseiti oras.

PASTABA: Šis indikatorius nėra tikslus kontrolinis įtaisas. Atsižvelgiant į krepšio viduje esančias sąlygas, šis indikatorius gali veikti netinkamai.

Mulčiavimo kaiščio naudojimas

Pasirenkamasis priedas

Mulčiavimo kaištis leidžia gražinti nupjautą žolę ant žemės paviršiaus, kad ji nesikaupytų žolės surinkimo krepšyje. Mašiną naudojant su mulčiavimo kaiščiu, būtina nuimti žolės surinkimo krepšį.

PASTABA: Mašiną naudodami su mulčiavimo kaiščiu, užtikrinkite, kad bendras žolės ilgis po pjovimo būtų 30 mm ar didesnis, o pjovimo ilgis būtų 15 mm ar mažesnis.

- **Pav.22:** (1) 30 mm ar daugiau (2) 15 mm ar mažiau

NAUDOJIMAS

Žolės pjovimas

ĮSPĖJIMAS: Prieš pradėdami pjauti žolę, surinkite nuo vejos šakas ir akmenis. Prieš pradėdami pjauti žolę, taip pat išraukite visas piktžoles.

ĮSPĖJIMAS: Naudodami vejapjovę, visada dėvėkite apsauginius akinius arba apsauginius akinius su šoniniais apsauginiais skydais.

ĮSPĖJIMAS: Jei nupjauta žolė ar svetimkūnis užblokuoja vejapjovės korpuso vidų, prieš pašalindami žolę ar svetimkūnį, būtinai nuimkite blokavimo raktą ir akumuliatoriaus kasetę ir šalindami žolę ar svetimkūnį mūvėkite pirštines.

PASTABA: Įrenginį naudokite tik vejai pjauti. Šiuo įrenginiu nepjaukite piktžolių.

- **Pav.23**

Pjudami žolę, tvirtai abiem rankomis laikykite rankeną. Pjovimo greičio orientyras yra maždaug 1 metras per 4 sekundes.

- **Pav.24**

Priekinių ratų išoriniai kraštai yra pjovimo pločio orientyrai. Priekinių ratų išorinius kraštus naudodami kaip orientyrus, pjaukite juostomis. Norėdami tolygiai nupjauti veją, pjudami naują juostą, perdenkite nuo pusės iki trečdaliao ankstesnės juostos.

- **Pav.25:** 1. Pjovimo plotis 2. Persidengianti sritis 3. Išorinis kraštas

Kaskart pakeiskite pjovimo kryptį, kad vejos pjovimo raštas nesusiformuotų tik viena kryptimi.

- **Pav.26**

Reguliariai tikrinkite nupjautos žolės surinkimo krepšį. Ištuštinkite krepšį, kol jis dar nėra pilnas. Prieš kiekvieną reguliarių patikrinimą būtinai sustabdykite vejapjovę, tada ištraukite fiksavimo raktą ir akumuliatoriaus kasetę.

PASTABA: Naudojant vejapjovę su pilnu žolės surinkimo krepšiu, peiliai negali tolygiai sukstis, o varikliui tenka papildoma apkrova, todėl jis gali sugesti.

Aukštos žolės pjovimas

Nebandykite nupjauti žolės per vieną kartą. Ją pjaukite tam tikrais etapais. Tarp pjovimų palaukite dieną ar dvi, kol veją nupjausite tolygiai.

PASTABA: Nupjovus ilgą žolę iki trumpo ilgio per vieną kartą, ji gali nuvysti. Nupjauta žolė taip pat gali susikaupti vejapjovės korpuse.

Žolės surinkimo krepšio ištuštinimas

▲JSPĖJIMAS: Norėdami sumažinti nelaimingų atsitikimų pavojų, reguliariai tikrinkite žolės surinkimo krepšį, ar jis nesugadintas arba nesusilpnėjęs. Jei reikia, pakeiskite žolės surinkimo krepšį.

1. Atleiskite svirtinį jungiklį.
2. Ištraukite fiksavimo raktą.
3. Atidarykite galinį gaubtą ir nuimkite žolės surinkimo krepšį, suėmę jį už jo rankenos.
▶ **Pav.27:** 1. Galinis dangtelis 2. Rankena
4. Išpilkite žolę iš žolės surinkimo krepšio.

TECHNINĖ PRIEŽIŪRA

▲JSPĖJIMAS: Prieš pastatydami vejąpovę į vietą arba ją nešdami, prieš pradėdami jos tikrinimo arba techninės priežiūros darbus, visuomet įsitikinkite, ar blokavimo raktas ištrauktas, o akumulatoriaus kasetė išimta.

▲JSPĖJIMAS: Kai vejąpovės nenaudojate, visada išimkite fiksavimo raktą. Fiksavimo raktą laikykite saugioje, vaikams nepasiekiamoje vietoje.

▲JSPĖJIMAS: Atlikdami patikrinimo arba techninės priežiūros darbus, mūvėkite pirštines.

▲JSPĖJIMAS: Naudodami arba prižiūrėdami vejąpovę, visada dėvėkite apsauginius akinius arba apsauginius akinius su šoniniais apsauginiais skydais.

PASTABA: Niekada nenaudokite gazolino, benzino, tirpiklio, spirito arba panašių medžiagų. Gali atsirasti išblukimų, deformacijų arba įtrūkimų.

Kad gaminyt būtų SAUGUS ir PATIKIMAS, jį taisyti, apžiūrėti ar vykdyti bet kokią kitą priežiūrą ar derinimą turi įgaliotasis kompanijos „Makita“ techninės priežiūros centras; reikia naudoti tik kompanijos „Makita“ pagamintą atsarginę dalis.

Priežiūra

1. Ištraukite fiksavimo raktą. Laikykite jį saugioje, vaikams nepasiekiamoje vietoje.
2. Nuvalykite vejąpovę drėgnu skudurėliu. Valydami vejąpovę, nepurkškite ir nepilkite ant jos vandens.
3. Padėkite vejąpovę ant šono ir nuvalykite žolės nuopjovas, susikaupusias vejąpovės dugno apačioje.
4. Patikrinkite, ar tvirtai priveržtos visos varžlės, sraigčiai, rankenėlės, varžtai, tvirtinimo dalys ir pan.
5. Apžiūrėkite visas judamąsias dalis, ar jos nėra sugadintos, sulūžusios ar nusidėvėjusios. Sugadintas arba trūkstamas dalis reikia remontuoti arba keisti naujomis.

Laikymas

▲JSPĖJIMAS: Nešdami arba gabendami vejąpovę saugoti, laikykite ne už sudedamų rąnkenu, o už vejąpovės priekinės rankenos. Laikant už sudedamų rąnkenu galima sunkiai susižeisti arba sugadinti vejąpovę.

Prieš pastatydami vejąpovę į vietą, iš jos ištraukite akumulatoriaus kasetę ir blokavimo raktelį. Vejąpovę laikykite vėsioje sausoje rakinamoje patalpoje. Vejąpovės ir kroviklio nelaikykite tokiose vietose, kur temperatūra gali siekti arba viršyti 40 °C.

▶ **Pav.28:** 1. Priekinė rankena 2. Galinė rankena

1. Atlaisvinkite suveržimo varžtus ir į abi puses ištieskite apatinę rankeną. Stumkite rankeną į priekį. Tuo metu tvirtai laikykite suėmę už apatinės rankenos, kad ji nenukristų į tolimąją vejąpovės korpuso pusę.
▶ **Pav.29:** 1. Suveržimo varžtas 2. Apatinė rankena

2. Atlaisvinkite suveržimo varžtus ir pakreipkite viršutinę rankeną atgal, tuo pačiu metu ją plėskite į abi puses.

▶ **Pav.30:** 1. Suveržimo varžlė 2. Viršutinė rankena

3. Žolės surinkimo krepšį laikykite tarp rankenos ir vejąpovės korpuso.

▶ **Pav.31:** 1. Žolės surinkimo krepšys

PASTABA: Statydami vejąpovę vertikaloje padėtyje, laikykite ne už rankenos, o už vejąpovės priekinės rankenos.

Vejąpovės peilio uždėjimas ir nuėmimas

▲JSPĖJIMAS: Nuimdami arba montuodami peilį, visada ištraukite fiksavimo raktą ir akumulatoriaus kasetę. Neištraukus fiksavimo raktų ir akumulatoriaus kasetės, galima sunkiai susižeisti.

▲JSPĖJIMAS: Atleidus jungiklį, peilis sukasi iš inercijos dar kelias sekundes. Kol peilis visiškai nesustojo, nepradėkite dirbti.

▲JSPĖJIMAS: Montuodami peilį, visuomet mūvėkite pirštines.

Vejąpovės peilio nuėmimas

Skirta DLM382

1. Paverskite vejąpovę ant šono taip, kad žolės pjovimo aukščio reguliavimo svirtis būtų viršuje.
2. Kad peilis nepasisuktų, į vejąpovės korpusą esančią angą įstatykite atsuktuvą arba panašų įrankį.
3. Veržliarakčiu sukite varžtą prieš laikrodžio rodyklę.
▶ **Pav.32:** 1. Vejąpovės peilis 2. Atsuktuvas 3. Veržliaraktis
4. Eilės tvarka nuimkite varžtą ir peilį.
▶ **Pav.33:** 1. Peilio laikiklis 2. Vejąpovės peilis 3. Varžtas

Skirta DLM432

1. Paverskite veļapjovę ant ņono taip, kad ņolęs pjovimo aukņčio reguliavimo svirtis bŭtų virņuņe.
2. Kad peilis nepasisuktų, į veļapjovęs korpuse esanęią angą įstatykite atsuktuvą arba panaņų įrankį.
3. Verņliarakčiu sukite varņtą prieš laikrodņio rodyklę.
▶ **Pav.34:** 1. Veļapjovęs peilis 2. Atsuktuvas
3. Verņliaraktis
4. Išsukite varņtą, paeiliiui nuimkite ņoninę jungę, veļapjovęs peilį ir vidinę jungę.
▶ **Pav.35:** 1. Vidinė jungę 2. Veļapjovęs peilis
3. Išorinė jungę 4. Varņtas

Veļapjovęs peilio įdėjimas

Jei norite sumontuoti veļapjovęs peilį, vykdykite nuėmimo procedūrą atvirksčia tvarka.

▲JSPĖJIMAS: Atidņiai uždękite veļapjovęs peilį. Jis turi virņutinę / apatinę puses. Peilį uždękite taip, kad sukimosi krypties rodyklę bŭtų nukreipta išorėn.

▲JSPĖJIMAS: Tvirtai užverņkite sraigtą, sukdami jį pagal laikrodņio rodyklę, kad užtvirtintumėte peilį.

▲JSPĖJIMAS: Įsitinkinkite, kad veļapjovęs peilis ir visos tvirtinamosios detalės gerai uždėti ir priverņti.

▲JSPĖJIMAS: Peilius visada keiskite laikydamiesi ņiame vadove pateiktų instrukcijų.

GEDIMŲ ņALINIMAS

Prieņ kreipdamiesi dėl remonto darbų, pirmiausia patikrinkite gedimus patys. Kilus problemų, apie kurias nepaaiņkinta vartotojo vadove, nemėginkite ardyti įrankio. Kreipkitės į įgaliotuosius „Makita“ techninę prieņiūros centrus, kuriuose remontui visuomet naudojami originalios „Makita“ keiėiamosios dalys.

Neįprasta bŭklė	Tikėtina prieņastis (triktis)	Iņtaisomoji priemonė
Veļapjovę nepaleidņiama.	Neįdėtos dvi akumuliatoriaus kasėtės.	Įdękite įkrauto akumuliatoriaus kasėtės.
	Akumuliatoriaus problema (per maņa įtampa)	Įkraukite akumuliatoriaus kasėtę. Jei įkrauti nepavyksta, pakeiskite akumuliatoriaus kasėtę.
	Neįdėtas fiksavimo raktas.	Įkiņkite fiksavimo raktą.
Po trumpo naudojimo variklis nustoja veikęs.	ņemas akumuliatoriaus įkrovos lygis.	Įkraukite akumuliatoriaus kasėtę. Jei įkrauti nepavyksta, pakeiskite akumuliatoriaus kasėtę.
	Pjovimo aukņtis per maņas.	Padidinkite pjovimo aukņtį.
Variklis nepasiekia didņiausių apņsukimų per minutę.	Netinkamai įdėta akumuliatoriaus kasėtė.	Akumuliatoriaus kasėtę įdękite, kaip apraņyta ņiame vadove.
	Akumuliatoriaus galia maņėja.	Įkraukite akumuliatoriaus kasėtę. Jei įkrauti nepavyksta, pakeiskite akumuliatoriaus kasėtę.
	Netinkamai veikia pavaros sistema.	Dėl remonto kreipkitės į vietinį įgaliotąjį techninę prieņiūros centrą.
Veļapjovęs peilis nesisuka: ⇒ nedelsdami sustabdykite veļapjovę!	ņalia peilio įstrigo paņalinis objektas, pvz., ņaka.	Paņalinkite paņalinį objektą.
	Netinkamai veikia pavaros sistema.	Dėl remonto kreipkitės į vietinį įgaliotąjį techninę prieņiūros centrą.
Neįprasta vibracija: ⇒ nedelsdami sustabdykite veļapjovę!	Peilis nesubalansuotas, pernelyg ar netolygiai nusidėvėjęs.	Pakeiskite peilį.

PASIRENKAMI PRIEDAI

▲PERSPĖJIMAS: ņiuos papildomus priedus arba įtaisus rekomenduojama naudoti su ņioje instrukcijoje nurodytu „Makita“ bendrovęs įrankiu. Naudojant bet kokius kitus papildomus priedus arba įtaisus, gali kilti pavojus suņeisti ņmonei. Naudokite tik nurodytam tikslui skirtus papildomus priedus arba įtaisus.

Jeigu norite daugiau suņinoti apie tuos priedus, kreipkitės į artimiausią „Makita“ techninę prieņiūros centrą.

- Veļapjovęs peilis
- Mulėiavimo kaiņtis
- Originalūs „Makita“ akumuliatoriai ir įkroviklis

PASTABA: Kai kurie saraņe esantys priedai gali bŭti pateikti įrankio pakuotėje kaip standartiniai priedai. Jie įvairiose ņalyse gali skirtis.

TEHNILISED ANDMED

Mudel:	DLM382	DLM432	
Niitmislaius (tera läbimõõt)	380 mm	430 mm	
Koormuseta kiirus	3 700 min ⁻¹	3 600 min ⁻¹	
Vahetatava niiduki tera osa number	191D41-2	191D43-8	
Mootmed (P × L × K)	töötamise ajal	P: 1 380 mm kuni 1 410 mm L: 450 mm K: 985 mm kuni 1 005 mm	P: 1 435 mm kuni 1 490 mm L: 460 mm K: 1 005 mm kuni 1 045 mm
	hoiustatult (ilma murukogujata)	860 mm × 450 mm × 475 mm	865 mm × 460 mm × 475 mm
Nimipinge	Alalisvool 36 V		
Netokaal	15,5 - 16,5 kg	16,0 - 16,9 kg	

- Meie pideva uuringu- ja arendusprogrammi tõttu võidakse tehnilisi andmeid muuta ilma sellest ette teatamata.
- Tehnilised andmed võivad riigiti erineda.
- Kaal võib erineda olenevalt lisaseadistest, kaasa arvatud akukassetist. Kergeim ja raskeim kombinatsioon EPTA-protseduuri 01/2014 kohaselt on toodud tabelis.

Sobiv akukassett ja laadija

Akukassett	BL1830B / BL1840B / BL1850B / BL1860B
Laadija	DC18RC / DC18RD / DC18RE / DC18SD / DC18SE / DC18SF / DC18SH / DC18WC

- Mõned eespool loetletud akukassetid ja -laadijad ei pruugi olla teie riigis saadaval.

⚠ HOIATUS: Kasutage ainult ülalpool loetletud akukassette ja laadijaid. Muude akukassettide ja laadijate kasutamine võib tekitada vigastusi ja/või tulekahju.


⚠ HOIATUS: Ärge kasutage selle masinaga juhtmega vooluvärustust nagu akuadapter või portatiivne akukomplekt. Sellise vooluvärustuse juhe võib tööd takistada ja põhjustada kehavigastusi.


Sümbolid


Alljärgnevalt kirjeldatakse tingimärke, mida võidakse seadmel kasutada. Enne seadme kasutamist tehke endale selgeks nende tähendus.


 Olge äärmiselt ettevaatlik ja tähelepanelik.


 Lugege juhendit.

 Ohtlik; pidage silmas õhkupaiskuvaid objekte.

 Seadme ja kõrvalseisjate vaheline vahemaa peab olema vähemalt 15 m.

 Ärge pange kunagi käsi või jalgu niiduki all oleva löike-terade lähedusse. Niiduki löike-terad pöörlevad edasi ka pärast mootori väljalülitamist.

 Eemaldage lukustusvõti enne niiduki kontrollimist, reguleerimist, puhastamist, hooldamist, järelevalveta jätmist ja hoiustamist.

 Hoiatus; lahutage aku enne hooldamist.



Garanteeritud helivõimsustase ELi välis-tingimustes kasutatavate seadmete määra direktiivi kohasel.



Helivõimsustase Austraalia NSW määra-kontrolli määru kohasel



Ainult EL-i riikide puhul
Seadmes sisalduvate ohtlike osade tõttu võivad elektri- ja elektroonikaseadmete jäätmel, akud ja patareid avaldada negatiivset mõju keskkonnale ja inimeste tervisele.
Elektri- ja elektroonikaseadmeid ega akusid ei tohi kõrvaldada koos olmejäätmetega!
Euroopa elektri- ja elektroonikaseadmete jäätmel, akude ja patareide ning nende jäätmel direktiivi ja riiklikku õigusesse ülevõtmise kohaselt tuleb elektri- ja elektroonikaseadmete, akude ja patareide jäätmel koguda eraldi ning viia eraldiseisvasse olmejäätmete kogumispunkti, mis tegutseb kooskõlas keskkonnakaitse eeskirjadega. Sellele osutab seadmele paigaldatud läbikriipsutatud ratastega prügikasti sümbol.

Kavandatud kasutus

Masin on ette nähtud muru niitmiseks.

Müra

Tüüpiline A-korrigeeritud müratase, määratud standardi EN IEC 62841-4-3 kohaselt:

Mudel	Mõõdetud helivõimsuse tase (L_{WA}) : (dB(A))	Garanteeritud helivõimsuse tase (L_{WA}) : (dB(A))
DLM382	91	94
DLM432	92	95

Mudel	Helirõhutase (L_{pA}) : (dB(A))	Helirõhutase määramatus (K) : (dB(A))
DLM382	81	3
DLM432	81	3

MÄRKUS: Deklareeritud müra väärtust (väärtuseid) on mõõdetud kooskõlas standardse katsemeetodiga ning seda võib kasutada ühe seadme võrdlemiseks teisega.

MÄRKUS: Deklareeritud müra väärtust (väärtuseid) võib kasutada ka mürataseme esmaseks hindamiseks.

⚠️HOIATUS: Kasutage kõrvakaitsmeid.

⚠️HOIATUS: Müratase võib elektritööriista tegelikkuses kasutamise ajal erineda deklareeritud väärtus(t)est olenevalt tööriista kasutusviisidest ja eriti töödeldavast toorikust.

⚠️HOIATUS: Rakendage operaatori kaitsmiseks kindlasti piisavaid ohutusabinõusid, mis põhinevad hinnangulisel müratasemel tegelikus tööolukorras (võttes arvesse tööperioodi kõiki osasid, näiteks korrad, kui seade lülitatakse välja ja seade töötab tühikäigul, lisaks tööajale).

Vibratsioon

Vibratsiooni koguväärtus (kolmeteljeliste vektorite summa) määratud standardi EN IEC 62841-4-3 kohaselt:

Mudel DLM382

Vibratsiooniheide (a_h): 2,5 m/s² või vähem
Määramatus (K): 2,0 m/s²

Mudel DLM432

Vibratsiooniheide (a_h): 2,5 m/s² või vähem
Määramatus (K): 1,5 m/s²

MÄRKUS: Deklareeritud vibratsiooni koguväärtust (-väärtuseid) on mõõdetud kooskõlas standardse katsemeetodiga ning seda võib kasutada ühe seadme võrdlemiseks teisega.

MÄRKUS: Deklareeritud vibratsiooni koguväärtust (-väärtuseid) võib kasutada ka mürataseme esmaseks hindamiseks.

⚠️HOIATUS: Vibratsioonitase võib elektritööriista tegelikkuses kasutamise ajal erineda deklareeritud väärtus(t)est olenevalt tööriista kasutusviisidest ja eriti töödeldavast toorikust.

⚠️HOIATUS: Rakendage operaatori kaitsmiseks kindlasti piisavaid ohutusabinõusid, mis põhinevad hinnangulisel müratasemel tegelikus tööolukorras (võttes arvesse tööperioodi kõiki osasid, näiteks korrad, kui seade lülitatakse välja ja seade töötab tühikäigul, lisaks tööajale).

Vastavusdeklaratsioon

Ainult Euroopa riikide puhul

Vastavusdeklaratsioonid on selle juhendi A-lisas.

OHUTUSHOIATUSED

Üldised elektritööriistade ohutushoiatused

⚠️HOIATUS Lugege läbi kõik selle elektritööriistaga kaasas olevad ohutushoiatused, juhised, illustreeritud ja tehnilised andmed. Alljärgnevate juhiste eiramine võib põhjustada elektrilöögi, süttimise ja/või raske kehavigastuse.

Hoidke edaspidisteks viideteks alles kõik hoiatused ja juhtnöörid.

Hoiatuses kasutatud termini „elektritööriist“ all peetakse silmas elektriga töötavaid (juhtmega) elektritööriistu või akuga töötavaid (juhtmeta) elektritööriistu.

Juhtmeta muruniiduki ohutushoiatused

1. **Ärge kasutage muruniidukit halbades ilmastikuoludes, eriti kui valitseb äikeseoht.** Sellega vähendate pikselöögiohtu.
2. **Kontrollige põhjalikult eluslooduse ala, kus muruniidukit kasutatakse.** Muruniiduk võib töötamise ajal metsloomi vigastada.
3. **Kontrollige põhjalikult ala, kus muruniidukit kasutatakse ning eemaldage kõik kivid, pulgad, traadid, luud ja muud võõrkehad.** Masina alt lendav ese võib tekitada kehavigastusi.
4. **Enne muruniiduki kasutamist kontrollige alati visuaalselt, et tera ja terakomplekt poleks kulunud ega kahjustatud.** Kulunud või kahjustatud osad suurendavad vigastuste ohtu.
5. **Kontrollige murupüüdur sageli kulumist või muul viisil kahjustumist.** Kulunud või kahjustatud murupüüdur võib suurendada kehavigastuste ohtu.
6. **Hoidke kaitsmed oma kohal. Kaitsmed peavad olema töökorras ja korralikult paigaldatud.** Kaitsed, mis on tulnud lahti, kahjustatud või ei tööta korralikult, võib tekitada kehavigastusi.
7. **Hoidke kõik jahutusõhuavad praht puhtad.** Blokeeritud õhu sisselaskevad ja praht võivad põhjustada ülekuumenemist või tuleohtu.

8. **Kandke muruniidukiga töötamise ajal alati mittelibisevaid ja kaitsvaid jalatseid. Ärge töötage muruniidukoga, kui olete paljajalu või kannate lahtisi sandaale.** See vähendab kokkupuutel liikuva teraga jalgade vigastamise võimalust.
9. **Kandke muruniidukiga töötamise ajal alati pikki pükse.** Katmata nahk suurendab masina alt lendavatest esemetest tekkivate vigastuste tõenäosust.
10. **Vältige muruniiduki kasutamist märjas rohus. Kõndige, ärge kunagi jookske.** See vähendab libisemise ja kukkumise ohtu, mis võib tekitada kehavigastusi.
11. **Ärge kasutage muruniidukit liiga järskuldel kallakutel.** See vähendab kontrolli kaotamise, libisemise ja kukkumise ohtu, mis võib tekitada kehavigastusi.
12. **Kallakutel töötades veenduge alati, et teie jalgealune oleks kindel, töötage alati kallaku esiküljega risti, mitte kunagi üles või alla ning olge suunda muutes alati väga ettevaatlik.** See vähendab kontrolli kaotamise, libisemise ja kukkumise ohtu, mis võib tekitada kehavigastusi.
13. **Olge eriti ettevaatlik muruniidukit tagurpidi liigutades või enda poole tõmmates. Jälgige alati ümbritsevat.** See vähendab töötamise ajal komistamise ohtu.
14. **Ärge puudutage terasid ega muid ohtlikke liikuvaid osi, kui need veel liiguvad.** See vähendab liikuvatest osadest tekitatud vigastuste ohtu.
15. **Kinnijäänud materjali eemaldamisel või muruniiduki hooldamisel veenduge, et kõik toitelülitid oleks välja lülitatud ning akupakk oleks lahti ühendatud.** Muruniiduki juhuslik käivitamine võib tekitada raskeid kehavigastusi.

Lisaohutushoiatused

Õpe

1. **Lugege tähelepanelikult juhiseid. Õppige põhjalikult tundma niiduki juhtimiseadiseid ja õiget kasutamist.**
2. **Mitte mingil juhul ärge lubage niidukit kasutada lastel ega isikutel, kes pole tutvunud kasutusjuhendiga. Kohalikud määrused võivad seada piiranguid kasutaja vanusele.**
3. **Ärge kunagi kasutage niidukit siis, kui läheduses viibivad inimesed (eriti lapsed) või lemmikloomad.**
4. **Pidage meeles, et muruniiduki omanik või kasutaja vastutab teistele isikutele põhjustatud vigastuste või nende varale tekitatud kahjustuste eest.**

Ettevalmistus

1. **Enne niitmise alustamist veenduge, et niidetaval alal poleks teisi inimesi. Seisake niiduk, kui keegi siseneb niidetavale alale.**
2. **Ärge sisestage lukustusvõtit niidukisse, kuni see pole kasutamiseks valmis.**
3. **Jälgige auke, rööpaid, muhke, kive või muid varjatud esemeid.** Ebatasane maapind võib põhjustada libisemist ja kukkumist. Pika muru sisse võivad olla peidetud takistused.
4. **Ärge sisestage ega eemaldage lukustusvõtit vihma käes.**

Kasutamine

1. **Seisake niiduk ja eemaldage lukustusvõti ning veenduge, et kõik liikuvad osad oleksid täielikult peatunud**
 - alati, kui niiduki juurest lahkute;
 - enne takistuste või väljaviskerennist ummistuste eemaldamist;
 - enne niiduki kontrollimist, puhastamist või hooldamist.
2. **Kui niiduki löiketera tabab võõrkeha, toimige järgmiselt:**
 - Seisake niiduk, vabastage hooblüliti ja oodake, kuni löiketera on täielikult peatunud.
 - Eemaldage lukustusvõti ja akukassett.
 - Kontrollige hoolikalt, ega niidukil pole kahjustusi.
 - Vahetage löiketera välja, kui see on mingil moel kahjustada saanud. Enne niiduki taaskäivitamist ja töö jätkamist parandage kõik kahjustused.
3. **Kui niiduk hakkab ebatavaliselt vibreerima või märkate midagi muud ebatavalist, toimige kohe alljärgnevalt.**
 - Seisake niiduk, vabastage hooblüliti ja oodake, kuni löiketera on täielikult peatunud.
 - Eemaldage lukustusvõti ja akukassett.
 - Kontrollige kahjustuste esinemist ja vahetage kahjustunud osad välja.
 - Kontrollige osade pingust ja pingutage lahtiseid osi.
4. **Ärge kasutage kunagi niidukit, mille kaitsekatted on defektsed või mille ohutusseedised (nt suunaja ja/või murukogur) on eemaldatud.**
5. **Töötage niidukiga ainult päevavalguses või hea tehisvalgustuse olemasolul.**
6. **Niiduki sisselülitamisel järgige tähelepanelikult juhtnööre ja hoidke jalad löiketera(de)st eemal.**
7. **Olge tähelepanelik, et te ei vigastaks niiduki teradega oma jalgu ega käsi.**
8. **Seisake löiketera(d), kui niidukit tuleb kallutada, et liikuda üle alade, mis ei ole muruga kaetud, ning siis, kui viite niidukit niitmisalale või sealt ära.**
9. **Ärge kallutage niidukit, kui mootorit sisse lülitate, v.a juhul, kui see on käivitamiseks vajalik.** Sellisel juhul ärge kallutage niidukit rohkem kui vaja ning tõstke ainult seda osa, mis jääb kasutajast eemale. Enne niiduki maapinnale tagasi asetamist veenduge alati, et mõlemad käed oleksid tööasendis.
10. **Ärge pange käsi ja jalgu pöörlevate osade lähedale ega nende alla. Hoidke väljaviskeava alati takistustest puhtana.**
11. **Hoidke alati käepidemest kindlalt kinni.**
12. **Ärge haarake niidukit hoides või üles tõstes katmata löiketeradest või -servadest.**
13. **Hoidke käed ja jalad pöörlevatest löiketeradest eemal. Ettevaatust! Toite väljalülitamise järel pöörlevad terad vaba hooga edasi.**

14. Kui niidukil on lõikekõrguse reguleerimise võimalus, ärge püüdke reguleerida niitmiskõrgust niiduki töötamise ajal.
15. Vabastage hooblülitit ja oodake lõiketera seiskumist, enne kui sõidate niidukiga üle sisesõiduteede, kõnniteede, teede või kruusaga kaetud alade. Samuti eemaldage lukustusvõti, kui lahkute niiduki juures, küünitate midagi oma teelt üles võtma või eemaldama, või mõne muu põhjuse korral, mis ei lase teil oma tegevusele keskenduda.
16. Ärge seiske seadet käivitamise ajal väljavisk-eava ees.
17. Ärge kunagi suunake välja heidetavat materjali kellegi poole. Vältige materjali seinale või takistusele heitmist. Materjal võib kasutaja poole tagasi lennata. Kruusapindade ületamisel seisake tera.
18. Tõmmake niidukit tagasisuunas ainult äärmisel juhul. Kui peate niidukit aia või muu sarnase takistuse juurest eemale tõmbama, vaadake enne tagasisuunas liikumist alla ja seljataha.
19. Enne murupüüdu eemaldamist lülitage mootor välja ja oodake, kuni tera on täielikult peatunud. Olge ettevaatlik, sest terad liiguvad pärast väljalülitamist vabakäiguga edasi.
20. Masina kasutamisel porisel, libedal maapinnal või märjal kallakul pöörake tähelepanu kindlale jalgealusele.
21. Vältige töötamist halvas keskkonnas, kus kasutaja suurem väsimine on oodatav.
22. Ärge kasutage masinat halva ilmaga, kus nähtavus on piiratud. Muidu võib halb nähtavus põhjustada kukkumise või vale tegevuse.
23. Ärge ajage masinat sügavale lompi.
24. Kui märjad lehed või praht jäävad vihma tõttu imiavasse (tuulutusak) kinni, siis eemaldage need.
25. Ärge kasutage masinat lumes.
26. Kui niidetud muru on märg, ummistub see tõenäoliselt masina sisse. Kontrollige regulaarselt masina seisukorda ja eemaldage vajaduse korral sinna kinni jäänud muru.
27. Masinaga töötamisel pöörake tähelepanu torudele ja juhtmetele.

Hooldus ja hoiudamine

1. Kontrollige ja hooldage niidukit regulaarselt.
2. Seadme ohutu talitluse tagamiseks hoidke kõik mutrid, poldid ja kruvid tugevasti pinguldatusena.
3. Kontrollige murukogurit sageli kulumise või muul viisil kahjustumise suhtes. Enne hoiustamist veenduge alati, et murukogur oleks tühi. Ohutuse tagamiseks asendage kulunud murukogur alati tootja originaalosaaga.
4. Kasutage ainult juhendis kirjeldatud tootja originaalõiketeri.
5. Olge niiduki reguleerimisel ettevaatlik, et vältida sõrmede muljumist niiduki fikseeritud osade ja liikuvate lõiketerade vahele.
6. Kontrollige lõiketera fiksaatorpolti regulaarselt korrektese pinguse suhtes.

7. Laske niidukil alati enne hoiustamist maha jahtuda.
8. Olge lõiketerade hooldamisel teadlik sellest, et kuugi toide on välja lülitatud, võivad lõiketerad siiski liikuda.
9. Ärge kunagi eemaldage ega muutke oma-võlliiselt kaitseseadmeid. Kontrollige nende töökindruse regulaarselt. Ärge kunagi tehke midagi, mis häiriks kaitseseadme kavandatud funktsiooni või vähendaks kaitseseadme kaitsevõimet.
10. Ärge jätke masinat järelevalveta vihma kätte.
11. Ärge peske masinat kõrgsurvepesuriga.
12. Masina pesemise ajaks eemaldage aku ja lukustusvõti ning sulgege akukate. Valage vett masina põhja suunas, kuhu on kinnitatud lõiketera.
13. Masina hoiule panemisel vältige otsest päike-selgust ja vihma ning see ei tohiks muutuda hoiukohas liiga kuumaks ega niiskeks.
14. Kontrollige ja hooldage masinat vihma eest kaitstud kohas.
15. Pärast masina kasutamist eemaldage kinnitunud mustus ja kuivatage masin täielikult enne hoiudamist. Aastaajast või piirkonnast olenevalt võib külmumine tõrkeid põhjustada.

Elektriõhusus ja aku ohutu talitus

1. Akut (akusid) ei tohi avada ega kahjustada. Väljalavalgunud elektrolüüt on söövitava toimega ning võib kahjustada silmi ja nahka. See võib osutada allaneelamisel mürgiseks.
2. Ärge laadige akut vihma käes ega märjas keskkonnas.
3. Ärge laadige akut välistingimustes.
4. Ärge käsitsege laadurit, sh laaduri pistikut ja laadimisterminale märgade kätega.
5. Ärge vahetage akut vihma käes.
6. Ärge tehke aku kontakte vee vm vedelikuga märjaks ega pange akut vee alla. Ärge jätke akut vihma kätte, samuti ärge laadige, kasutage ega hoiustage akut niiskes või märjas kohas. Kui aku kontakt saab märjaks või vedelik tungib aku sisse, võib aku lühistuda ning tekkida ülekuumenemise, süttimise või plahvatuse oht.
7. Pärast masinast või laadijast aku eemaldamist kinnitage akukate kindlasti akule ja hoidke akut kuivas kohas.
8. Ärge vahetage akut märgade kätega.
9. Vältige ohtlikku keskkonda. Ärge kasutage masinat niisketes või märgades kohtades ega jätke seda vihma kätte. Masina sisse sattunud vesi suurendab elektrilöögiohtu.
10. Kui akukasest saab märjaks, laske vesi välja ja pühkige seda kuiva lapiga. Enne kasutamist kuivatage akukasest täielikult kuivas kohas.

HOIDKE JUHEND ALLES.

⚠️ HOIATUS: ÄRGE UNUSTAGE järgida toote ohutusnõudeid mugavuse või toote (korduskasutamise) saavutamise hea tundmise tõttu. **VALE KASUTUS** või kasutusjuhendi ohutuseeskirjade eiramine võib põhjustada tervisekahjustusi.

Akukassetiga seotud olulised ohutusjuhised

1. Enne akukasseti kasutamist lugege (1) akulaadijat, (2) akul ja (3) seadmel olevad juhtnõidid ja hoiatused läbi.
2. Ärge võtke akukassetti lahti ega muutke seda. See võib põhjustada tulekahju, liigset kuumust või plahvatuse.
3. Kui tööaeg järsult lüheneb, siis lõpetage kohe kasutamine. Edasise kasutamise tulemuseks võib olla ülekuumenemine, võimalikud põletused või isegi plahvatus.
4. Kui elektrolüüti satub silma, siis loputage silma puhta veega ja pöörduge koheselt arsti poole. Selline õnnetus võib põhjustada pimedaksjäämist.
5. Ärge tekitage akukassetis lühist:
 - (1) Ärge puutuge klemme elektrijuhtidega.
 - (2) Ärge hoidke akukassetti tööriistakastis koos metallesemetega, nagu naelad, mündid jne.
 - (3) Ärge tehke akukassetti märjaks ega jätke seda vihma kätte.Aku lühis võib põhjustada tugevat elektri-voolu, ülekuumenemist, põletusi ning ka seadet tõsiselt kahjustada.
6. Ärge hoidke ega kasutage tööriista ja akukassetti kohtades, kus temperatuur võib tõusta üle 50 °C (122 °F).
7. Ärge põletage akukassetti isegi siis, kui see on saanud tõsiselt vigastada või on täiesti kulumud. Akukassett võib tules plahvatada.
8. Ärge naelutage, löigake, muljuge, visake akukassetti ega laske sel kukkuda, samuti ärge lööge selle pihta kõva esemega. Selline tegevus võib põhjustada tulekahju, liigset kuumust või plahvatuse.
9. Ärge kasutage kahjustatud akut.
10. Sisalduvatele liitium-ioonakudele võivad kohalduda ohtlike kaupade õigusaktide nõuded.

Kaubanduslikul transportimisel, näiteks kolmandate poolte või transpordiettevõtete poolt, tuleb järgida pakendil ja siltidel toodud erinõudeid. Transportimiseks ettevalmistamisel on vajalik pida nõu ohtliku materjali eksperdigiga. Samuti tuleb järgida võimalike riiklike regulatsioonide üksikasjalikumaid nõudeid.

Katke teibiga või varjake avatud kontaktid ja pakendage aku selliselt, et see ei saaks pakendis liikuda.
11. Kasutuskõlbmatuks muutunud akukassetti kõrvaldamiseks eemaldage see tööriistast ja viige selleks ette nähtud kohta. Järgige kasutuskõlbmatuks muutunud aku kõrvaldamisel kohalikke eeskirju.
12. Kasutage akusid ainult Makita heaks kiidetud toodetega. Akude paigaldamine selleks mitte ettenähtud toodetele võib põhjustada süttimist, ülemäärast kuumust, plahvatamist või elektrolüüdi lekkimist.
13. Kui tööriista ei kasutata pika ajaperioodi jooksul, tuleb aku tööriistast eemaldada.

14. Kasutamise ajal ja pärast kasutamist võib akukassett kuumeneda, mis võib põhjustada põletusi või madala temperatuuri põletusi. Olge kuuma akukasseti kandmisel ettevaatlik.
15. Ärge puudutage tööriista klemmi kohe pärast kasutamist, sest see võib olla kuum ja põhjustada põletusi.
16. Hoidke akukasseti klemmid, avad ja sooned tükikestest, tolmust ja mullast puhtad. See võib põhjustada tööriista või aku ülekuumenemist, süttimist, purunemist ja talitlushäireid, mis võib lõppeda põletuste või kehavigastustega.
17. Kui tööriist ei kannata kasutamist kõrgepingeliinide lähedal, ärge kasutage akukassetti kõrgepingeliinide lähedal. Muidu võib tööriist või akukassett puruneda või sellel tõrge tekkida.
18. Hoidke akut lastele kättesaamatult.

HOIDKE JUHEND ALLES.

⚠ETTEVAATUST: Kasutage ainult Makita originaalakusid. Mitte Makita originaalakude või muudetud akude kasutamine võib põhjustada akude süttimise, kehavigastuse ja kahjustuse. Samuti muudab see kehtetuks Makita tööriista ja laadija Makita garantii.

Vihjeid aku maksimaalse kasutusaja tagamise kohta

1. Laadige akukassetti enne selle täielikku tühjenemist. Kui märkate, et tööriist töötab väiksema võimsusega, peatage töö ja laadige akukassetti.
2. Ärge laadige täielikult laetud akukassetti. Ülelaadimine lühendab akude kasutusiga.
3. Laadige akukassetti toatemperatuuril 10 °C - 40 °C. Enne laadimist laske kuumenenud akukassetil maha jahtuda.
4. Kui te ei kasuta parajasti akukassetti, eemaldage see tööriistast või laadurist.
5. Kui te ei kasuta akukassetti kauem kui kuus kuud, laadige see.

KOKKUPANEK

⚠HOIATUS: Veenduge enne niidukil igasuguste tööde tegemist, et lukustusvõti ja akukassett oleks eemaldatud. Lukustusvõtme ja akukasseti eemaldamata jätmine võib põhjustada tõsiseid tervisekahjustusi, kui niiduk juhuliselt käivitub.

⚠HOIATUS: Ärge käivitage kunagi niidukit, kui see pole täielikult monteeritud. Osaliselt kokkupandud masina juhulislik käivitamine võib põhjustada tõsiseid kehavigastusi.

Akukatte paigaldamine

⚠HOIATUS: Ärge paigaldage lukustusvõtit ega akukassetti enne akukatte paigaldamist. Muidu võib tagajärjeks olla tõsine vigastus.

Enne töötamise algust paigaldage täielikult akukate. Akukate kaitsesüsteemi akukassetti pori, prahi ja vee eest.

1. Asetage akukate selliselt, et niiduki eendid oleksid kohakuti akukattes asuvate avadega.
▶ **Joon.1:** 1. Eend 2. Ava 3. Akukate
2. Asetage käed akukatte keskele ja suruge seda.
▶ **Joon.2**
3. Enne töö alustamist kontrollige, et akukatte pöör-detelje tihvt oleks nõuetekohaselt kinnitatud. Kui akukate on õigesti paigaldatud, avaneb see ainult akukatte lukustushoova tõmbamisel.
▶ **Joon.3:** 1. Pöördetelje 2. Akukatte lukustushoov

Käepideme paigaldamine

TÄHELEPANU: Käepidemete paigaldamisel paigutage juhtmed nii, et need ei jääks käepidemete vahel millegi külge kinni. Kui juhe on kahjustatud, ei pruugi niiduki lüliti toimida.

1. Lükake alumise käepideme mõlemad otsad niiduki soontesse ja kinnitage seejärel kinnitusklaamid lõpuni.
▶ **Joon.4:** 1. Kinnituskruvi 2. Alumine käepide
2. Viige alumise ja ülemise käepideme kruviavad omavahel kohakuti. Kinnitage need kinnituskruvide ja mutritega.
▶ **Joon.5:** 1. Kinnitusmutter 2. Kinnituskruvi

MÄRKUS: Hoidke ülemist käepidet kindlalt, nii et see ei kukuks teil käest maha.

3. Kinnitage hoidikud käepidemele. Paigutage toitejuhe joonisel näidatud viisil.
▶ **Joon.6:** 1. Hoidik

Multšimiskorgi eemaldamine

Lisatarvik

1. Avage tagakaas.
▶ **Joon.7:** 1. Tagakaas
2. Hoidke multšimiskorki käepidemest ja tõmmake see joonisel näidatud viisil niiduki kerest välja.
▶ **Joon.8:** 1. Multšimiskork 2. Käepide

Murukoguri paigaldamine

1. Avage tagakaas.
▶ **Joon.9:** 1. Tagakaas
2. Haakige murukoguja niiduki kerel olevale vardale, nagu on näidatud joonisel.
▶ **Joon.10:** 1. Konks 2. Varras 3. Murukogur

Multšimiskorgi kinnitamine

Lisatarvik

1. Avage tagakaas ja eemaldage murukogur.
▶ **Joon.11:** 1. Tagakaas 2. Murukogur
2. Hoidke multšimiskorki käepidemest ja kinnitage see joonisel näidatud viisil niiduki kerere.
▶ **Joon.12:** 1. Multšimiskork 2. Käepide

FUNKTSIONAALNE KIRJELDUS

Akukassetti paigaldamine või eemaldamine

⚠ETTEVAATUST: Lülitage masin alati enne akukassetti paigaldamist või eemaldamist välja.

⚠ETTEVAATUST: Enne kasutamist lukustage kindlasti akukate. Muidu võivad pori, muld või vesi põhjustada toote või akukassetti kahjustuse.

⚠ETTEVAATUST: Paigaldage akukassett alati täies ulatuses nii, et punane näidik poleks nähtaval. Muidu võib see juhuslikult masinast välja kukkuda ja põhjustada teile või läheduses viibivatele isikutele vigastusi.

⚠ETTEVAATUST: Ärge rakendage akukassetti paigaldamisel jõudu. Kui kassett ei lähe kergesti sisse, pole see õigesti paigaldatud.

MÄRKUS: See masin ei tööta ainult ühe akukassettiga.

Akukassetti paigaldamine

1. Libistage akukatte lukustushooba ja avage akukate.
▶ **Joon.13:** 1. Akukate 2. Akukatte lukustushoov
2. Viige akukassetti keel kohakuti niidukil asuva pesaga ja lükake kassetti, kuni see klõpsatusega oma kohale kinnitub.
▶ **Joon.14:** 1. Akukassett
3. Sisestage lukustusvõti joonisel näidatud kohta nii sügavale kui võimalik.
▶ **Joon.15:** 1. Lukustusvõti

4. Sulgege akukate ja vajutage sellele, kuni lukustushoov selle fikseerib.

Niiduki akukassetti eemaldamine

1. Libistage akukatte lukustushooba ja avage akukate.
2. Tõmmake akukassetti niidukist, lükates samal ajal kassetti esiküljel paiknevat nuppu.
3. Tõmmake lukustusvõti välja.
4. Sulgege akukate.

Masina/aku kaitsesüsteem

Masinal on masina/aku kaitsesüsteem. Süsteem lülitab mootori automaatselt välja, et pikendada tööriista ja aku tööiga. Masin seiskub käitamise ajal automaatselt, kui masina või aku kohta kehtib üks järgmistest tingimustest.

Ülekoormuskaitse

Kui masina kasutamise käigus hakkab see tarbima ebaarilikult palju voolu, peatub masin automaatselt ilma igasuguse signaalita. Sel juhul lülitab masin välja ja lõpetage masina ülekoormuse põhjustanud töö. Pärast seda käivitage masin uuesti.

Ülekuumenemiskaitse

Masina ülekuumenemisel seiskub masin automaatselt. Laske masinal maha jahtuda, enne kui selle uuesti sisse lülitate.

Ülelaadimiskaitse

Kui aku laetuse tase on madal, siis seiskub masin automaatselt. Kui seade ei hakka tööle ka lülitite kasutamisel, eemaldage masinast akud ja laadige neid.

Aku jääkmahutavuse näit

► **Joon.16:** 1. Aku indikaator











Kui aku jääkmahtuvus on väike, siis akuindikaator vilgub selle aku poolel. Edasisel kasutamisel masin seiskub ning akuindikaator süttib. Sellisel juhul laadige akukassetti.

Aku jääkmahutavuse näit

Ainult näidikuga akukassettidele

Akukasseti järelejäänud mahutavuse kontrollimiseks vajutage kontrollimise nuppu. Märgulambid süttivad mõneks sekundiks.

► **Joon.17:** 1. Märgulambid 2. Kontrollimise nupp

Märgulambid			Jääkmahutavus
 Põleb	 Ei põle	 Vilgub	
			75 - 100%
			50 - 75%
			25 - 50%
			0 - 25%
			Laadige akut.
 ↑ ↓ 			Akul võib olla tõrge.

MÄRKUS: Näidatud mahutavus võib veidi erineda tegelikust mahutavusest olenevalt kasutustingimustest ja ümbritseva keskkonna temperatuurist.

MÄRKUS: Esimene (taga vasakul asuv) märgutuli vilgub, kui akukaitsesüsteem töötab.

Lüliti funktsioneerimine

▲HOIATUS: Kontrollige alati enne akukasseti sisestamist seda, kas hooblüliti töötab nõuetekohaselt ja kas see liigub pärast vabastamist algasendisse tagasi. Masina juhtimine lüliti abil, mis ei toimi korralikult, võib kaasa tuua kontrolli kaotamise sae üle ja põhjustada tõsiseid vigastusi.

MÄRKUS: Niiduk ei käivitu, kui te toitelüliti ei vajuta (seda ka juhul, kui hooblüliti tõmbate).

MÄRKUS: Niiduk ei pruugi ülekoormuse tõttu käivituda, kui üritate niita liiga kõrget või tihedat heina. Sellisel juhul suurendage niitmiskõrgust.

See niiduk on varustatud blokeerülilitiga ja käepidemel oleva lülitiga. Kui märkate midagi ebatavalist, mis on seotud ühega neist lülititest, seisake niiduk viivitamatult ja laske neid lüliteid lähimas Makita volitatud teeninduskeskuses kontrollida.

1. Paigaldage akukassetid. Sisestage lukustusvõti blokeerülilitisse ja seejärel sulgege akukate.

► **Joon.18:** 1. Akukassett 2. Lukustusvõti

2. Vajutage lülitusnuppu ja hoidke seda all.

3. Haarake ülemisest käepidemest ja tõmmake hooblüliti.

► **Joon.19:** 1. Lülitusnupp 2. Hooblüliti

4. Vabastage toitelüliti niipea, kui mootor käivitub. Niiduki mootor töötab, kuni hooblüliti vabastate.

5. Vabastage hooblüliti, et mootor seisata.

Niitmiskõrguse reguleerimine

▲HOIATUS: Ärge pange niitmiskõrguse reguleerimisel käsi või jalgu kunagi niiduki alla.

▲HOIATUS: Veenduge alati enne seadme kasutamist, et hoob sobitaks soonde.

Niitmiskõrgust saab reguleerida vahemikus 20 mm ja 75 mm.

1. Eemaldage lukustusvõti.

2. Tõmmake niitmiskõrguse reguleerimishooba niiduki korpusest eemale ja liigutage sobivale niitmiskõrgusele.

► **Joon.20:** 1. Niitmiskõrguse reguleerimishoob

MÄRKUS: Niitmiskõrguse näitajaid tuleks kasutada orientiirina. Maapinna ja muru seisundist olenevalt võib tegelik murukõrgus olla valitud kõrgusest erinev.

MÄRKUS: Katsetage muru niitmiskõrguse seadistust vähem nähtavas kohas, et leida sobiv kõrgus.

Rohutaseme indikaator

► **Joon.21:** 1. Rohutaseme indikaator

Rohutaseme indikaator näitab niidetud rohu mahtu.

- Kui murukogur ei ole täis, siis indikaator „ujub“ niitmise ajal.
- Kui murukogur on täis, siis indikaator ei „uju“ niitmise ajal. Sellisel juhul peatage kohe niitmine ja tühjendage kogur. Pärast koguri tühjendamist puhastage seda niimoodi, et õhk pääseks läbi võrgusilmade.

MÄRKUS: Selle indikaatori puhul on tegemist ligikaudse näidkuga. Kruvikeeraja on varustatud kruvide sisestamise sügavuse regulaatoriga.

Multšimiskorgi kasutamine

Lisatarvik

Multšimiskork võimaldab teil niidetud muru tagasi maha lasta, ilma et see murukogurisse kogutaks. Kui kasutate masinat multšimiskorgiga, siis eemaldage kindlasti murukogur.

TÄHELEPANU: Masina multšimiskorgiga kasutamisel veenduge, et muru kogupikkus pärast niitmist oleks 30 mm või rohkem, ja lõikepikkus oleks 15 mm või vähem.

► **Joon.22:** (1) 30 mm või rohkem (2) 15 mm või vähem

TÖÖRIISTA KASUTAMINE

Niitmine

▲HOIATUS: Puhastage niidetav ala enne niitmist okstest ja kividest. Lisaks puhastage niidetav ala enne niitmist ka umbrohust.

▲HOIATUS: Kandke niiduki kasutamisel alati kaitseprille (või nt külgmiste kaitsetega kaitseprille).

▲ETTEVAATUST: Kui muru või kõrvaline ese on niiduki korpuse seestpoolt ummistanud, võtke enne muru või kõrvalise eseme eemaldamist välja lukustusvõti ja akukassett ning pange kindad kätte.

TÄHELEPANU: Kasutage seda seadet ainult muru niitmiseks. Ärge kasutage seda seadet umbrohu niitmiseks.

► **Joon.23**

Hoidke niitmisel kindlalt kahe käega käepidemest kinni. Soovitav niitmiskiirus on umbes 1 meetrit 4 sekundis.

► **Joon.24**

Niitmislaiuse orientiiriks on esirataste välisääred. Välisäärite kasutamisel niitmislaiuse orientiiriks niitke ribadena. Niitke kuni ühe kolmandiku ulatuses eelmise riba peal (kattuv ala) – nii niidate muru ühtlaselt.

► **Joon.25:** 1. Niitmislaius 2. Kattuv ala 3. Välisäär

Muutke iga kord niitmise suunda, et ei tekiks ühesuunalist muru mustrit.

► **Joon.26**

Kontrollige regulaarselt murukoguris oleva niidetud muru kogust. Tühjendage murukogur enne selle täitumist. Enne iga sellist kontrolli seisake niiduk ning eemaldage seejärel lukustusvõti ja akukassett niidukist.

TÄHELEPANU: Täis murukogur takistab niiduki lõiketeradel sujuvalt pöörelda ja lisab mootorile lisakoormuse, mis võib põhjustada mootoririkkeid.

Kõrge muru niitmine

Ärge niitke kõrget muru korraga. Selle asemel niitke muru mitmes etapis. Jätke niitmiste vahele üks kuni kaks päeva, et muru muutuks ühtlaseks.

MÄRKUS: Kõrge rohu korraga lühikeseks niitmine võib põhjustada muru kuivamise. Samuti võib niidetud muru ummistada seest niiduki korpuse.

Murukoguri tühjendamine

▲HOIATUS: Õnnetuste ärahoidmiseks kontrollige murukogurit regulaarselt kahjustuste või tugevuse vähenemise suhtes. Vajaduse korral vahetage murukogur.

1. Vabastage hooblüüti.
2. Eemaldage lukustusvõti.
3. Avage tagakaas ja võtke käepidemest hoides murukoguja korv välja.
► **Joon.27:** 1. Tagakaas 2. Käepide
4. Tühjendage murukogur.

HOOLDUS

▲HOIATUS: Veenduge alati enne niiduki hoius-tamist, kandmist, kontrollimist või hooldamist, et lukustusvõti ja akukassett oleksid niidukist eemaldatud.

▲HOIATUS: Kui niidukit ei kasutata, eemaldage alati lukustusvõti. Hoiustage lukustusvõtit turvalises ja lastele kättesaamatus kohas.

▲HOIATUS: Kandke kontrollimise või hooldamise ajal kaitsekindaid.

▲HOIATUS: Kandke niiduki kontrollimisel või hooldamisel alati kaitseprille või külgmiste kaitsetega kaitseprille.

TÄHELEPANU: Ärge kunagi kasutage bensiini, vedeldit, alkoholi ega midagi muud sarnast. Selle tulemuseks võib olla luitumine, deformatsioon või pragunemine.

Toote OHUTUSE ja TÖÖKINDLUSE tagamiseks tuleb vajalikud remonttööd ning muud hooldus- ja reguleerimistööd lasta teha Makita volitatud teeninduskeskustes või tehase teeninduskeskustes. Alati tuleb kasutada Makita varuosi.

Hooldus

1. Eemaldage lukustusvõti. Hoiustage seda turvalises ja lastele kättesaamatus kohas.
2. Puhastage niiduki niiske lapiga. Ärge pihustage või valage niiduki peale vett.
3. Asetage niiduk küljele ja puhastage see kere alla kogunenud murujääkidest.
4. Kontrollige kõikide mutrite, poltide, nuppude, kruvide, kinnitite jne pingust.
5. Kontrollige liikuvaid osi kahjustuste, purunemise ja kulumise suhtes. Kahjustatud või puuduvad osad tuleb remontida või välja vahetada.

Hoiustamine

⚠HOIATUS: Niidukit kandes või hoiustades ärge hoidke kokkupandud käepidemest, vaid niiduki eesmisest käepidemest. Kokkupandud käepidemest hoidmine võib põhjustada tõsiseid vigastusi või niidukit kahjustada.

Eemaldage enne niiduki hoiule panekut sellest akukasest ja lukustusvõti. Hoidke niidukit siseruumis jahedas, kuivas ja lukustatud kohas. Ärge hoidke niidukit ega laadurit kohtades, kus temperatuur võib tõusta üle 40 °C.

► **Joon.28:** 1. Eesmine käepide 2. Tagumine käepide

1. Vabastage kinnituskruvid ja tõmmake alumist käepidet mõlemale küljele. Viige käepide ette alla. Hoidke samal ajal alumisest käepidemest tugevasti kinni, et see niiduki kerest eemale ei kukuks.
► **Joon.29:** 1. Kinnituskrugi 2. Alumine käepide
2. Vabastage kinnitusmutrid ja pöörake ülemine käepide tagasi, tõmmates mõlemat külge laiali.
► **Joon.30:** 1. Kinnitusmutter 2. Ülemine käepide
3. Hoidke murukogurit käepideme ja niiduki kere vahel.
► **Joon.31:** 1. Murukogur

MÄRKUS: Kui asetate niidukit püstisesse asendisse, ärge hoidke käepidemest, vaid kasutage niiduki esiosas olevat käepidet.

Niiduki tera eemaldamine või paigaldamine

⚠HOIATUS: Eemaldage lukustusvõti ja akukasest alati enne lõiketera eemaldamist või paigaldamist. Lukustusvõtme või akukasesti eemaldamata jätmine võib tuua kaasa tõsiseid vigastusi.

⚠HOIATUS: Pärast lüliti vabastamist pöörleb lõiketera mõned sekundid tühikäigul. Ärge alustage toiminguid enne, kui tera on täielikult seiskunud.

⚠HOIATUS: Kandke lõiketera käsitsemisel alati kaitsekindaid.

Niiduki tera eemaldamine

DLM382

1. Asetage niiduk küljele, nii et niitmiskõrguse reguleerimishoob jääb üles.
2. Tera pööremise lukustamiseks sisestage kruvikeeraja vms sarnane tööriist niiduki kerel olevasse avasse.
3. Keerake polti mutrivõtmega vastupäeva.
► **Joon.32:** 1. Niiduki tera 2. Kruvikeeraja 3. Mutrivõti
4. Eemaldage järjekorras polt ja tera.
► **Joon.33:** 1. Tera tugi 2. Niiduki tera 3. Polt

DLM432

1. Asetage niiduk küljele, nii et niitmiskõrguse reguleerimishoob jääb üles.
2. Tera pööremise lukustamiseks sisestage kruvikeeraja vms sarnane tööriist niiduki kerel olevasse avasse.
3. Keerake polti mutrivõtmega vastupäeva.
► **Joon.34:** 1. Niiduki tera 2. Kruvikeeraja 3. Mutrivõti
4. Eemaldage järjekorras polt, väline äärik, niiduki tera ja sisemine äärik.
► **Joon.35:** 1. Siseäärik 2. Niiduki tera 3. Välisäärik 4. Polt

Niiduki tera paigaldamine

Niiduki tera paigaldamiseks järgige eemaldamise protseduuri vastupidises järjekorras.

⚠HOIATUS: Paigaldage niiduki tera hoolikalt. Sellel on ülemine/alumine külg. Asetage tera niimoodi, et selle pöörelemis-suuna nooled oleks suunatud väljapoole.

⚠HOIATUS: Seejärel pinguldage polti päripäeva, et lõiketera fikseerida.

⚠HOIATUS: Veenduge, et niiduki tera ja kõik selle kinnitusosad oleksid korralikult paigaldatud ja kindlalt pingutatud.

⚠HOIATUS: Terasid vahetades järgige alati juhendis toodud juhtnööre.

VEAOTSING

Enne remonditöökotta pöördumist kontrollige niidukit ise. Ärge üritage niidukit lahti võtta, kui leiata probleemi, mida kasutusjuhendis ei kirjeldata. Selle asemel pöörduge Makita volitatud teeninduskeskusesse, kus kasutatakse remon-
timisel alati Makita tagavaraosi.

Tõrge	Võimalik põhjus (riike)	Lahendus
Niiduk ei käivitu.	Kaks akukassetti ei ole paigaldatud.	Paigaldage laetud akukassetid.
	Akuga seotud probleem (alapinge)	Laadige akukassett. Kui laadimine ei anna tulemust, vahetage akukassett välja.
	Lukustusvõti ei ole sisestatud.	Sisestage lukustusvõti.
Mootor seiskub pärast lühiajalist töötamist.	Aku laetustase on madal.	Laadige akukassett. Kui laadimine ei anna tulemust, vahetage akukassett välja.
	Niitmiskõrgus on liiga madal.	Suurendage niitmiskõrgust.
Mootor ei saavuta maksimaalset pöörlemiskiirust.	Akukassett ei ole õigesti paigaldatud.	Paigaldage akukassett juhendis kirjeldatud viisil.
	Aku võimsus langeb.	Laadige akukassett. Kui laadimine ei anna tulemust, vahetage akukassett välja.
	Veosüsteem ei tööta korralikult.	Paluge volitatud teeninduskeskuses teha parandustööd.
Niiduki tera ei pöörle: ⇒ seisake kohe niiduk!	Kõrvaline ese, näiteks puuoks on tera blokeerinud.	Eemaldage kõrvaline ese.
	Veosüsteem ei tööta korralikult.	Paluge volitatud teeninduskeskuses teha parandustööd.
Ebatavaline vibratsioon: ⇒ seisake kohe niiduk!	Tera ei ole tasakaalus või on ülemäära või ebaühtlaselt kulunud.	Vahetage tera.

VALIKULISED TARIKUD

⚠ETTEVAATUST: Neid tarvikuid ja lisaseadiseid on soovitatav kasutada koos Makita tööriis-
taga, mille kasutamist selles kasutusjuhendis kirjeldatakse. Muude tarvikute ja lisaseadiste kasu-
tamisega kaasneb vigastada saamise oht. Kasutage tarvikuid ja lisaseadiseid ainult otstarbekohaselt.

Saate vajaduse korral kohalikust Makita teeninduskes-
kusest lisateavet nende tarvikute kohta.

- Niiduki tera
- Multšimiskork
- Makita algupärane aku ja laadija

MÄRKUS: Mõned nimekirjas loetletud tarvikud või-
vad kuuluda standardvarustusse ning need on lisatud
tööriista pakendisse. Need võivad riigiti erineda.

ТЕХНИЧЕСКИЕ ХАРАКТЕРИСТИКИ

Модель:		DLM382	DLM432
Ширина скашивания (диаметр лезвия)		380 мм	430 мм
Число оборотов без нагрузки		3 700 мин ⁻¹	3 600 мин ⁻¹
Сменное лезвие газонокосилки, номер детали		191D41-2	191D43-8
Размеры (Д × Ш × В)	во время работы	Д: от 1 380 мм до 1 410 мм Ш: 450 мм В: от 985 мм до 1 005 мм	Д: от 1 435 мм до 1 490 мм Ш: 460 мм В: от 1 005 мм до 1 045 мм
	в положении для хранения (без корзины для травы)	860 мм × 450 мм × 475 мм	865 мм × 460 мм × 475 мм
Номинальное напряжение		36 В пост. тока	
Масса нетто		15,5 – 16,5 кг	16,0 – 16,9 кг

- Благодаря нашей постоянно действующей программе исследований и разработок указанные здесь технические характеристики могут быть изменены без предварительного уведомления.
- Технические характеристики могут различаться в зависимости от страны.
- Масса может отличаться в зависимости от дополнительного оборудования. Обратите внимание, что блок аккумулятора также считается дополнительным оборудованием. В таблице представлены комбинации с наибольшим и наименьшим весом в соответствии с процедурой EPTA 01/2014.

Подходящий блок аккумулятора и зарядное устройство

Блок аккумулятора	BL1830B / BL1840B / BL1850B / BL1860B
Зарядное устройство	DC18RC / DC18RD / DC18RE / DC18SD / DC18SE / DC18SF / DC18SH / DC18WC






- В зависимости от региона проживания некоторые блоки аккумуляторов и зарядные устройства, перечисленные выше, могут быть недоступны.




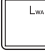
⚠ ОСТОРОЖНО: Используйте только перечисленные выше блоки аккумуляторов и зарядные устройства. Использование других блоков аккумуляторов и зарядных устройств может привести к травме и/или пожару.

⚠ ОСТОРОЖНО: Не используйте с этой машиной проводной источник электропитания, например переходник зарядного устройства или портативный блок питания. Кабель этого источника электропитания может помешать работе и стать причиной травмы.

Символы

Ниже приведены символы, которые могут использоваться для обозначения оборудования. Перед использованием убедитесь в том, что вы понимаете их значение.

	Обратите особое внимание.
	Прочитайте руководство по эксплуатации.
	Опасность! Возможен разлет твердых предметов.
	Расстояние от инструмента до находящихся поблизости людей должно быть не менее 15 м.
	Не приближайте руки и ноги к лезвию газонокосилки под ее днищем. После выключения электродвигателя лезвия газонокосилки продолжают вращаться.

	Перед осмотром, регулировкой, очисткой, обслуживанием, оставлением и хранением газонокосилки извлекайте ключ блокировки.
	Осторожно! Перед техническим обслуживанием необходимо отсоединить аккумулятор.
	Гарантированный уровень звуковой мощности в соответствии с Директивой ЕС по шумам вне помещений.
	Уровень звуковой мощности в соответствии с Регламентом Австралии (Новый Южный Уэльс) по контролю за шумом



Только для стран ЕС

В связи с наличием в оборудовании опасных компонентов отходы электрического и электронного оборудования, аккумуляторы и батареи могут оказывать негативное влияние на окружающую среду и здоровье человека.

Не выбрасывайте электрические и электронные устройства или батареи вместе с бытовыми отходами!

В соответствии с директивой ЕС по отходам электрического и электронного оборудования, по аккумуляторам, батареям и отходам аккумуляторов и батарей, а также в соответствии с ее адаптацией к национальному законодательству, отходы электрического оборудования, батареи и аккумуляторы следует хранить отдельно и доставлять на пункт раздельного сбора коммунальных отходов, работающий с соблюдением правил охраны окружающей среды.

Это обозначено символом в виде перечеркнутого мусорного контейнера на колесах, нанесенным на оборудование.

Вибрация

Суммарное значение вибрации (сумма векторов по трем осям), определенное в соответствии с EN IEC 62841-4-3:

Модель DLM382

Распространение вибрации (a_n): 2,5 м/с² или менее
Погрешность (K): 2,0 м/с²

Модель DLM432

Распространение вибрации (a_n): 2,5 м/с² или менее
Погрешность (K): 1,5 м/с²

ПРИМЕЧАНИЕ: Заявленное общее значение распространения вибрации измерено в соответствии со стандартной методикой испытаний и может быть использовано для сравнения инструментов.

ПРИМЕЧАНИЕ: Заявленное общее значение распространения вибрации можно также использовать для предварительных оценок воздействия.

⚠ОСТОРОЖНО: Распространение вибрации во время фактического использования электроинструмента может отличаться от заявленного значения в зависимости от способа применения инструмента и в особенности от типа обрабатываемой детали.

⚠ОСТОРОЖНО: Обязательно определите меры безопасности для защиты оператора, основанные на оценке воздействия в реальных условиях использования (с учетом всех этапов рабочего цикла, таких как выключение инструмента, работа без нагрузки и включение).

Назначение

Газонокосилка предназначена для стрижки газонов.

Шум

Типичный уровень взвешенного звукового давления (A), измеренный в соответствии с EN IEC 62841-4-3:

Модель	Измеренный уровень звуковой мощности (L_{WA}): дБ(A)	Гарантированный уровень звуковой мощности (L_{WA}): дБ(A)
DLM382	91	94
DLM432	92	95

Модель	Уровень звукового давления (L_{pA}): дБ (A)	Погрешность уровня звукового давления (K): дБ (A)
DLM382	81	3
DLM432	81	3

ПРИМЕЧАНИЕ: Заявленное значение распространения шума измерено в соответствии со стандартной методикой испытаний и может быть использовано для сравнения инструментов.

ПРИМЕЧАНИЕ: Заявленное значение распространения шума можно также использовать для предварительных оценок воздействия.

⚠ОСТОРОЖНО: Используйте средства защиты слуха.

⚠ОСТОРОЖНО: Распространение шума во время фактического использования электроинструмента может отличаться от заявленного значения в зависимости от способа применения инструмента и в особенности от типа обрабатываемой детали.

⚠ОСТОРОЖНО: Обязательно определите меры безопасности для защиты оператора, основанные на оценке воздействия в реальных условиях использования (с учетом всех этапов рабочего цикла, таких как выключение инструмента, работа без нагрузки и включение).

Декларации о соответствии

Только для европейских стран

Декларации о соответствии включены в Приложение А к настоящему руководству по эксплуатации.

МЕРЫ БЕЗОПАСНОСТИ

Общие рекомендации по технике безопасности для электроинструментов

⚠ОСТОРОЖНО Ознакомьтесь со всеми инструкциями по технике безопасности, указаниями, иллюстрациями и техническими характеристиками, прилагаемыми к данному электроинструменту. Несоблюдение всех приведенных далее инструкций может привести к поражению электрическим током, возгоранию и/или тяжелым травмам.

Сохраните брошюру с инструкциями и рекомендациями для дальнейшего использования.

Термин "электроинструмент" в предупреждениях относится ко всему инструменту, работающему от сети (с проводом) или на аккумуляторах (без провода).

Правила техники безопасности при использовании аккумуляторной газонокосилки

1. Не используйте газонокосилку в неблагоприятных погодных условиях, особенно если возможны грозовые разряды. Это снизит риск удара молнией.
2. **Внимательно осмотрите место, где будет использоваться газонокосилка, и убедитесь, что там нет диких животных.** Во время работы газонокосилки оказавшиеся поблизости дикие животные могут получить травмы.
3. **Внимательно осмотрите место, где будет использоваться газонокосилка, и убедитесь оттуда все камни, палки, провода, кости и другие посторонние предметы.** Отброшенные предметы могут нанести травму.
4. **Прежде чем использовать газонокосилку, обязательно осмотрите ее лезвие и убедитесь, что лезвие и узел лезвия не изношены и не повреждены.** Изношенные или поврежденные части повышают риск травмы.
5. **Чаще проверяйте травосборник на предмет износа или повреждений.** Изношенный или поврежденный травосборник повышает риск травмы.
6. **Ограждения должны всегда находиться в месте. Ограждения должны быть в рабочем состоянии и установлены надлежащим образом.** Плохо закрепленное, поврежденное или не работающее надлежащим образом ограждение может стать причиной травмы.
7. **Не допускайте засорения отверстий для притока охлаждающего воздуха.** Засорение отверстий для притока охлаждающего воздуха может привести к перегреву и возгоранию.
8. **На время работы с газонокосилкой обязательно надевайте надлежащую защитную обувь. Не работайте с газонокосилкой босиком или в открытых сандалиях.** Это позволит снизить риск получения травмы при соприкосновении ноги с движущимся лезвием.
9. **На время работы с газонокосилкой обязательно надевайте длинные брюки.** Отсутствие защиты кожи повышает вероятность получить травму от отлетающих предметов.
10. **Не используйте газонокосилку на мокрой траве. Передвигайтесь шагом, не бегите.** Это позволит снизить вероятность того, что вы поскользнетесь и упадете, что, в свою очередь, может привести к травме.
11. **Не используйте газонокосилку на чрезмерно крутых склонах.** Это позволит снизить вероятность того, что вы потеряете контроль над инструментом, поскользнетесь и упадете, что, в свою очередь, может привести к травме.
12. **При работе на склонах всегда крепко стойте на ногах, двигайтесь поперек склона, а не вверх или вниз по склону, и соблюдайте особую осторожность при изменении направления движения.** Это позволит снизить вероятность того, что вы потеряете контроль над инструментом, поскользнетесь и упадете, что, в свою очередь, может привести к травме.
13. **Соблюдайте особую осторожность, перемещая газонокосилку задним ходом или подтягивая ее к себе.** Всегда контролируйте окружающую обстановку. Это позволит снизить вероятность того, что вы споткнетесь во время работы.
14. **Не прикасайтесь к лезвиям и другим опасным движущимся частям до их полной остановки.** Это позволит снизить вероятность получения травмы движущимися частями.
15. **При удалении застрявших обрезков или очистке газонокосилки убедитесь, что все выключатели питания выключены, а аккумуляторный блок отсоединен.** Неожиданное включение газонокосилки может привести к тяжелым травмам.

Дополнительные правила техники безопасности

Инструктаж

1. **Внимательно прочитайте инструкции.** Ознакомьтесь со всеми элементами управления и правилами надлежащей эксплуатации газонокосилки.
2. **Не разрешайте детям и лицам, не знакомым с данными инструкциями, пользоваться косилкой.** В местном законодательстве могут существовать возрастные ограничения для операторов.
3. **Запрещается эксплуатировать газонокосилку, если поблизости находятся люди (в особенности дети) или животные.**
4. **Помните, что оператор/пользователь несет ответственность за происшествие и опасные ситуации с другими людьми или их собственностью.**

Подготовка

1. **Перед началом работы убедитесь, что поблизости никого нет.** Если кто-либо приблизился, выключите газонокосилку.
2. **Не вставляйте ключ блокировки в газонокосилку, пока она не будет готова к эксплуатации.**
3. **Осматривайте газон на предмет углублений, колея, ухабов, камней или других скрытых предметов.** Неровности поверхности могут стать причиной поскользывания и падения. Высокая трава может скрывать препятствия.
4. **Запрещается вставлять или вынимать ключ блокировки под дождем.**

Выполнение работы

1. **Остановите газонокосилку, извлеките ключ блокировки и убедитесь в том, что все движущиеся части полностью остановились, если:**
 - оставляет газонокосилку без присмотра;
 - планируете устранять засоры и удалять предметы, закупорившие желоб;
 - собираетесь выполнять проверку, очистку или обслуживание газонокосилки.

2. Если газонокосилка ударилась о посторонний предмет, выполните следующее:
 - Остановите газонокосилку, отпустите рычажный выключатель и дождитесь полной остановки лезвия.
 - Извлеките ключ блокировки и блок аккумулятора.
 - Внимательно осмотрите газонокосилку на предмет повреждений.
 - Замените лезвие, если оно каким-либо образом повреждено. Устраните любые повреждения, прежде чем снова запускать газонокосилку и возобновлять работу с ней.
3. В случае возникновения посторонних вибраций газонокосилки или любых необычных явлений немедленно выполните следующие действия:
 - Остановите газонокосилку, отпустите рычажный выключатель и дождитесь полной остановки лезвия.
 - Извлеките ключ блокировки и блок аккумулятора.
 - Проверьте наличие повреждений и замените или отремонтируйте любые поврежденные детали.
 - Проверьте, не разболтались ли какие-либо детали, и подтяните их.
4. Запрещается использовать машину с неисправными ограждениями и экранами или без защитных приспособлений, например дефлекторов или бункера для сбора травы.
5. Используйте устройство только в дневное время или при хорошем искусственном освещении.
6. Осторожно включайте газонокосилку в соответствии с инструкциями, ноги при этом должны находиться как можно дальше от лезвий.
7. Соблюдайте меры безопасности во избежание травмирования ног и рук лезвием газонокосилки.
8. Обязательно остановите лезвие(я), если машину необходимо наклонить для транспортировки по поверхности, отличной от травы, либо при транспортировке машины к месту эксплуатации и обратно.
9. Не наклоняйте газонокосилку при включении двигателя, кроме случаев, когда ее необходимо наклонять для пуска. В этом случае наклоняйте ее на минимально необходимый угол и поднимайте только дальнюю от оператора часть. При опускании газонокосилки на землю всегда крепко держите рукоятку обеими руками.
10. Не помещайте руки или ноги под вращающиеся детали или вблизи них. Никогда не становитесь перед разгрузочным отверстием.
11. Постоянно надежно удерживайте рукоятку.
12. Поднимая или удерживая косилку, не беритесь за оголенные ножи или режущие кромки.
13. Не приближайте руки и ноги к вращающимся ножам. Внимание - лезвия продолжают вращаться после отключения газонокосилки.
14. Запрещается регулировать высоту скашивания во время движения газонокосилки (если газонокосилка позволяет регулировать высоту скашивания).
15. Отпустите рычажный выключатель и дождитесь остановки лезвия, прежде чем переходить улицы, пешеходные дорожки, дороги и любые области с гравийным покрытием. Кроме того, извлекайте ключ блокировки, если выпускаете газонокосилку из рук, нагибаетесь, чтобы подобрать или убрать что-либо с дороги, или по любой другой причине, которая может отвлечь вас от работы.
16. Не включайте двигатель, стоя перед разгрузочным отверстием.
17. Не направляйте поток срезанного материала на людей. Не направляйте поток срезанного материала на стену или какой-либо предмет. Срезанный материал может отскочить в сторону оператора. Остановите лезвия на время транспортировки по поверхности из гравия.
18. Не тяните газонокосилку назад без крайней необходимости. Если необходимо отвести косилку от забора или другого аналогичного препятствия, смотрите назад себе под ноги до начала движения, а также во время движения задним ходом.
19. Прежде чем снимать травосборник, отключите двигатель и подождите, пока лезвие полностью остановится. Имейте в виду, что лезвия продолжают вращаться после отключения.
20. При использовании устройства в грязи, на влажном склоне или на скользкой поверхности будьте осторожны, чтобы не поскользнуться.
21. Избегайте работать в сложных условиях, в которых ожидается повышенная усталость пользователя.
22. Не используйте устройство в неблагоприятных погодных условиях, когда видимость ограничена. Несоблюдение этого требования может привести к падению или неправильной эксплуатации устройства из-за плохой видимости.
23. Не допускайте погружения устройства в лужи.
24. В случае прилипания мокрых листьев или грязи ко входу для всасывания (вентиляционному отверстию) удалите их.
25. Запрещается использовать устройство в снегопад.
26. Если срезанная трава является мокрой, она может скапливаться внутри устройства. Регулярно проверяйте состояние устройства и при необходимости удаляйте прилипшую траву.
27. При работе с машиной следите за тем, чтобы не допустить контакта с трубопроводом или проводами.

Техническое обслуживание и хранение

1. Регулярно осматривайте и выполняйте техническое обслуживание газонокосилки.
2. Все гайки, болты и винты должны быть надежно затянуты — это обеспечит безопасность и работоспособность.
3. Чаще проверяйте корзину для травы на предмет износа или повреждений. Помещая устройство на хранение, обязательно очистите корзину для травы. Для обеспечения безопасности замените изношенную корзину для травы на новую.
4. Пользуйтесь только оригинальными лезвиями производителя, указанными в данном руководстве.
5. Соблюдайте осторожность при регулировке газонокосилки, чтобы не допустить защемления пальцев между движущимися лезвиями и неподвижными деталями машины.
6. Чаще проверяйте надежность затяжки болта крепления лезвия.
7. Перед постановкой на хранение дайте косилке остыть.
8. При обслуживании лезвий следует помнить, что лезвия могут двигаться даже при отключенном питании.
9. Не удаляйте предохранительные устройства и не вносите изменения в их конструкцию. Регулярно проверяйте правильность их работы. Не предпринимайте никаких действий, которые могут повлиять на функционирование предохранительного устройства или снизить степень защиты, обеспечиваемой предохранительным устройством.
10. Не оставляйте устройство без присмотра под открытым небом в дождь.
11. Запрещается мыть устройство струей воды с высоким напором.
12. При мойке устройства обязательно вытащите аккумулятор и ключ блокировки и закройте крышку отсека аккумулятора. Вода при мойке должна стекать к нижней части устройства, где крепится лезвие.
13. Не храните устройство в помещениях с высокой влажностью или температурой, на солнце или под дождем.
14. Осмотр и техническое обслуживание устройства следует выполнять в месте, защищенном от осадков.
15. После использования устройства очистите его от налипшей грязи и полностью высушите, перед тем как поместить на хранение. В зависимости от времени года и/или региона устройство может выйти из строя из-за замерзания воды.

Электробезопасность

1. Не вскрывайте и не разбирайте аккумуляторы. Содержащийся в них электролит очень едкий, вы можете повредить глаза или кожу. При проглатывании это вещество может вызвать отравление.
2. Не заряжайте аккумулятор под дождем или в местах с повышенной влажностью.
3. Не заряжайте аккумулятор на улице.

4. Не касайтесь зарядного устройства, а также штекера и контактов зарядного устройства влажными руками.
5. Запрещается заменять аккумулятор под дождем.
6. Избегайте смачивания клемм аккумулятора жидкостью, например водой, и не допускайте погружения аккумулятора в жидкость. Запрещается оставлять аккумулятор под дождем, заряжать, использовать или хранить аккумулятор в местах с повышенной влажностью. Мокрые клеммы или попадание жидкости внутрь аккумулятора могут привести к короткому замыканию аккумулятора, его перегреву, возгоранию или взрыву.
7. После извлечения аккумулятора из газонокосилки или зарядного устройства обязательно присоедините к аккумулятору крышку отсека аккумулятора и оставьте его в сухом месте.
8. Запрещается выполнять замену аккумулятора мокрыми руками.
9. Избегайте опасных сред. Не используйте машину в местах с повышенной влажностью и под дождем. Попашая в машину вода повышает опасность поражения электрическим током.
10. В случае попадания воды на блок аккумулятора вылейте воду из блока и протрите его сухой тканью. Прежде чем использовать блок аккумулятора, дайте ему полностью высохнуть в сухом месте.

СОХРАНИТЕ ДАННЫЕ ИНСТРУКЦИИ.

▲ОСТОРОЖНО: НЕ ДОПУСКАЙТЕ, чтобы удобство или опыт эксплуатации данного устройства (полученный от многократного использования) доминировали над строгим соблюдением правил техники безопасности при обращении с этим устройством. **НЕПРАВИЛЬНОЕ ИСПОЛЬЗОВАНИЕ** инструмента или несоблюдение правил техники безопасности, указанных в данном руководстве, может привести к тяжелой травме.

Важные правила техники безопасности для работы с аккумуляторным блоком

1. Перед использованием аккумуляторного блока прочитайте все инструкции и предупреждающие надписи на (1) зарядном устройстве, (2) аккумуляторном блоке и (3) инструменте, работающем от аккумуляторного блока.
2. Не разбирайте блок аккумулятора и не меняйте его конструкцию. Это может привести к пожару, перегреву или взрыву.
3. Если время работы аккумуляторного блока значительно сократилось, немедленно прекратите работу. В противном случае, может возникнуть перегрев блока, что приведет к ожогам и даже к взрыву.

4. В случае попадания электролита в глаза промойте их обильным количеством чистой воды и немедленно обратитесь к врачу. Это может привести к потере зрения.
5. Не замыкайте контакты аккумуляторного блока между собой:
 - (1) Не прикасайтесь к контактам какими-либо токопроводящими предметами.
 - (2) Не храните аккумуляторный блок в контейнере вместе с другими металлическими предметами, такими как гвозди, монеты и т. п.
 - (3) Не допускайте попадания на аккумуляторный блок воды или дождя.

Замыкание контактов аккумуляторного блока между собой может привести к возникновению большого тока, перегреву, возможным ожогам и даже поломке блока.
6. Не храните и не используйте инструмент и аккумуляторный блок в местах, где температура может достигать или превышать 50 °C (122 °F).
7. Не бросайте аккумуляторный блок в огонь, даже если он сильно поврежден или полностью вышел из строя. Аккумуляторный блок может взорваться под действием огня.
8. Запрещено вбивать гвозди в блок аккумулятора, резать, ломать, бросать, ронять блок аккумулятора или ударять его твердым предметом. Это может привести к пожару, перегреву или взрыву.
9. Не используйте поврежденный аккумуляторный блок.
10. Входящие в комплект литий-ионные аккумуляторы должны эксплуатироваться в соответствии с требованиями законодательства об опасных товарах.

При коммерческой транспортировке, например, третьей стороной или экспедитором, необходимо нанести на упаковку специальные предупреждения и маркировку.

В процессе подготовки устройства к отправке обязательно проконсультируйтесь со специалистом по опасным материалам. Также соблюдайте местные требования и нормы. Они могут быть строже.

Закройте или закрепите разомкнутые контакты и упакуйте аккумулятор так, чтобы он не перемещался по упаковке.
11. Для утилизации блока аккумулятора извлеките его из инструмента и утилизируйте безопасным способом. Выполняйте требования местного законодательства по утилизации аккумуляторного блока.
12. Используйте аккумуляторы только с продукцией, указанной Makita. Установка аккумуляторов на продукцию, не соответствующую требованиям, может привести к пожару, перегреву, взрыву или утечке электролита.
13. Если инструментом не будут пользоваться в течение длительного периода времени, извлеките аккумулятор из инструмента.
14. Во время и после использования блок аккумулятора может нагреваться, что может стать причиной ожогов или низкотемпературных ожогов. Будьте осторожны при обращении с горячим блоком аккумулятора.
15. Не прикасайтесь к контактам инструмента сразу после использования, поскольку они могут быть достаточно горячими, чтобы вызвать ожоги.
16. Не допускайте налипания на контакты, отверстия и пазы блока аккумулятора опилок, пыли или земли. Это может стать причиной перегрева, возгорания, взрыва или неисправности инструмента или блока аккумулятора, что может привести к ожогам или травмам.
17. Если инструмент не рассчитан на использование вблизи высоковольтных линий электропередач, не используйте блок аккумулятора вблизи высоковольтных линий электропередач. Это может привести к неисправности, поломке инструмента или блока аккумулятора.
18. Храните аккумулятор в недоступном для детей месте.

СОХРАНИТЕ ДАННЫЕ ИНСТРУКЦИИ.

▲ВНИМАНИЕ: Используйте только фирменные аккумуляторные батареи Makita. Использование аккумуляторных батарей, не произведенных Makita, или батарей, которые были подвергнуты модификациям, может привести к взрыву аккумулятора, пожару, травмам и повреждению имущества. Это также автоматически аннулирует гарантию Makita на инструмент и зарядное устройство Makita.

Советы по обеспечению максимального срока службы аккумулятора

1. Заряжайте блок аккумуляторов перед его полной разрядкой. Обязательно прекратите работу с инструментом и зарядите блок аккумуляторов, если вы заметили снижение мощности инструмента.
2. Никогда не подзаряжайте полностью заряженный блок аккумуляторов. Перезарядка сокращает срок службы аккумулятора.
3. Заряжайте блок аккумуляторов при комнатной температуре в 10 - 40 °C (50 - 104 °F). Перед зарядкой горячего блока аккумулятора дайте ему остыть.
4. Если блок аккумулятора не используется, извлеките его из инструмента или зарядного устройства.
5. Зарядите ионно-литиевый аккумуляторный блок, если вы не будете пользоваться инструментом длительное время (более шести месяцев).

СБОРКА

⚠ОСТОРОЖНО: Прежде чем выполнять какие-либо операции с газонокосилкой, убедитесь, что ключ блокировки и блок аккумулятора извлечены. Несоблюдение этого требования может привести к тяжелой травме в результате случайного пуска инструмента.

⚠ОСТОРОЖНО: Не запускайте частично собранную газонокосилку. Использование машины в частично собранном виде может стать причиной тяжелой травмы в результате случайного пуска.

Установка крышки аккумулятора

⚠ОСТОРОЖНО: Устанавливайте ключ блокировки и блок аккумулятора только после установки крышки аккумулятора. Несоблюдение этого требования может привести к серьезной травме.

Перед эксплуатацией инструмента полностью установите крышку аккумулятора. Крышка аккумулятора защищает газонокосилку и блок аккумулятора от грязи, пыли и воды.

1. Расположите крышку аккумулятора таким образом, чтобы выступы на косилке совместились с отверстиями в крышке.

► **Рис.1:** 1. Выступ 2. Отверстие 3. Крышка аккумуляторной батареи

2. Нажмите руками на середину крышки аккумулятора.
► **Рис.2**

3. Перед первым включением убедитесь, что петли крышки аккумулятора собраны правильно. Если крышка аккумулятора установлена верно, она не будет открываться, пока вы не нажмете на стопорный рычаг.

► **Рис.3:** 1. Петля 2. Стопорный рычаг крышки аккумулятора

Установка рукоятки

ПРИМЕЧАНИЕ: При установке рукояток расположите провода так, чтобы они не защемлялись между рукоятками. Если шнур поврежден, выключатель косилки не будет работать.

1. Установите оба конца нижней рукоятки в пазы газонокосилки и полностью затяните зажимные винты.

► **Рис.4:** 1. Зажимной винт 2. Нижняя рукоятка

2. Выверните отверстия под винты верхней и нижней рукояток. Зафиксируйте их при помощи зажимных винтов и гаек.

► **Рис.5:** 1. Зажимная гайка 2. Зажимной винт

ПРИМЕЧАНИЕ: Удерживайте верхнюю рукоятку ровно, чтобы она не выскальзывала из вашей руки.

3. Присоедините держатели к рукоятке. Расположите шнур подачи питания, как показано на рисунке.

► **Рис.6:** 1. Держатель

Удаление вставки для мульчирования

Дополнительные принадлежности

1. Откройте заднюю крышку.

► **Рис.7:** 1. Задняя крышка

2. Удерживайте вставку для мульчирования за рукоятку и извлеките ее из корпуса газонокосилки, как показано на рисунке.

► **Рис.8:** 1. Вставка для мульчирования 2. Рукоятка

Установка корзины для травы

1. Откройте заднюю крышку.

► **Рис.9:** 1. Задняя крышка

2. Установите корзину для травы на стержень корпуса газонокосилки, как указано на рисунке.

► **Рис.10:** 1. Крючок 2. Шток 3. Корзина для травы

Установка вставки для мульчирования

Дополнительные принадлежности

1. Откройте заднюю крышку и снимите корзину для травы.

► **Рис.11:** 1. Задняя крышка 2. Корзина для травы

2. Удерживайте вставку для мульчирования за рукоятку и вставьте ее в корпус газонокосилки, как показано на рисунке.

► **Рис.12:** 1. Вставка для мульчирования
2. Рукоятка

ОПИСАНИЕ РАБОТЫ

Установка или снятие блока аккумулятора

⚠ВНИМАНИЕ: Перед установкой и извлечением блока аккумулятора выключайте машину.

⚠ВНИМАНИЕ: Перед использованием убедитесь, что заперли крышку блока аккумулятора. В противном случае грязь, мусор или вода могут повредить изделие или блок аккумулятора.

⚠ВНИМАНИЕ: Обязательно устанавливайте блок аккумулятора до конца, чтобы красный индикатор не был виден. В противном случае блок может выпасть из машины и нанести травму вам или другим людям.

⚠ВНИМАНИЕ: Не прилагайте чрезмерных усилий при установке блока аккумулятора. Если блок не двигается свободно, значит он вставлен неправильно.

ПРИМЕЧАНИЕ: Машина не будет работать только с одним блоком аккумулятора.

Чтобы установить блок аккумулятора:

1. Сдвиньте рычаг блокировки крышки аккумулятора и откройте крышку.

► **Рис.13:** 1. Крышка аккумуляторной батареи 2. Стопорный рычаг крышки аккумулятора

2. Совместите язычок на блоке аккумулятора с канавкой на газонокосилке, затем вставьте блок до щелчка.

► **Рис.14:** 1. Блок аккумулятора

3. Вставьте ключ блокировки до упора в точку, показанной на рисунке.

► **Рис.15:** 1. Ключ блокировки

4. Закройте крышку аккумулятора и нажмите на нее до фиксации рычагом блокировки.

Чтобы извлечь блок аккумулятора из газонокосилки:

1. Сдвиньте рычаг блокировки крышки аккумулятора и откройте крышку.

2. Потяните блок аккумулятора, удерживая нажатой кнопку на лицевой стороне, и извлеките блок.

3. Извлеките ключ блокировки.

4. Закройте крышку аккумулятора.

Система защиты машины / аккумулятора

На машине предусмотрена система защиты машины / аккумулятора. Система автоматически отключает питание двигателя для продления срока службы инструмента и аккумулятора. Машина автоматически отключится в указанных далее случаях, влияющих на работу самой машины или аккумулятора.

Защита от перегрузки

Если из-за способа эксплуатации машина потребляет очень большое количество тока, она автоматически остановится без включения каких-либо индикаторов. В этом случае отключите машину и прекратите работу, из-за которой произошла перегрузка. Затем включите машину для перезапуска.

Защита от перегрева

При перегреве машина останавливается автоматически. Дайте ей остыть перед повторным включением.

Защита от переразрядки

При истощении заряда аккумулятора машина автоматически останавливается. Если устройство не работает даже после нажатия переключателей, снимите аккумуляторы с машины и зарядите их.

Индикация оставшегося заряда аккумулятора

► **Рис.16:** 1. Индикатор аккумулятора

При низком заряде аккумулятора его индикатор начинает мигать на соответствующей стороне аккумулятора. При дальнейшем использовании машина останавливается, и загорается индикатор аккумулятора. В этом случае следует зарядить блок аккумулятора.

Индикация оставшегося заряда аккумулятора

Только для блоков аккумулятора с индикатором

Нажмите кнопку проверки на аккумуляторном блоке для проверки заряда. Индикаторы загорятся на несколько секунд.

► **Рис.17:** 1. Индикаторы 2. Кнопка проверки

Индикаторы			Уровень заряда
Горит	Выкл.	Мигает	
			от 75 до 100%
			от 50 до 75%
			от 25 до 50%
			от 0 до 25%
			Зарядите аккумуляторную батарею.
			Возможно, аккумуляторная батарея неисправна.

ПРИМЕЧАНИЕ: В зависимости от условий эксплуатации и температуры окружающего воздуха индикация может незначительно отличаться от фактического значения.

ПРИМЕЧАНИЕ: Первая (дальняя левая) индикаторная лампа будет мигать во время работы защитной системы аккумулятора.

Действие выключателя

⚠ОСТОРОЖНО: Перед установкой блока аккумулятора обязательно убедитесь в том, что рычажный выключатель работает правильно и возвращается в исходное положение после отпускания. Эксплуатация машины с неисправным переключателем может привести к потере контроля над ней и получению тяжелой травмы.

ПРИМЕЧАНИЕ: Если не нажать кнопку включения, газонокосилка не запустится, даже если потянуть рычажный выключатель.

ПРИМЕЧАНИЕ: Газонокосилка может не запуститься по причине перегрузки, если вы косите высокую или густую траву. В таком случае увеличьте высоту стрижки.

Данная газонокосилка оснащена выключателем блокировки и ручкой с выключателем. Заметив какие-либо отклонения в работе любого из этих выключателей, немедленно прекратите работу и проверьте их в ближайшем авторизованном сервисном центре Makita.

1. Установите блоки аккумуляторов. Вставьте ключ блокировки в выключатель блокировки и закройте крышку аккумулятора.

► **Рис.18:** 1. Блок аккумулятора 2. Ключ блокировки

2. Нажмите и удерживайте кнопку включения.

3. Возьмите верхнюю рукоятку и потяните рычажный переключатель.

► **Рис.19:** 1. Кнопка включения 2. Рычаг переключателя

4. Как только двигатель заработает, отпустите кнопку включения. Газонокосилка продолжит работать до тех пор, пока вы не отпустите рычажный выключатель.

5. Для включения двигателя отпустите рычажный выключатель.

Регулировка высоты стрижки

⚠ОСТОРОЖНО: При регулировке высоты стрижки не подсовывайте руку или ногу под газонокосилку.

⚠ОСТОРОЖНО: Перед началом работы обязательно проверяйте, что рычаг хорошо входит в паз.

Высоту скашивания можно регулировать в диапазоне от 20 мм до 75 мм.

1. Извлеките ключ блокировки.

2. Потяните рычаг регулировки высоты стрижки к внешней стороне корпуса косилки и переведите его на нужную высоту.

► **Рис.20:** 1. Рычаг регулировки высоты стрижки

ПРИМЕЧАНИЕ: Значения высоты стрижки приведены только для справки. В зависимости от состояния газона и почвы конечная высота скошенной травы может незначительно отличаться от заданной.

ПРИМЕЧАНИЕ: Чтобы добиться желаемой высоты, выполните пробное скашивание на не слишком заметном участке газона.

Индикатор уровня травы

► **Рис.21:** 1. Индикатор уровня травы

Индикатор уровня травы показывает объем скошенной травы.

- Если корзина для травы не заполнена до верха, индикатор во время работы плавает.
- Если корзина для травы заполнена, индикатор во время работы неподвижен. В этом случае немедленно прекратите скашивание и опорожните корзину. Опорожнив корзину, очистите ее, чтобы воздух легко проходил через сетку.

ПРИМЕЧАНИЕ: Данный индикатор показывает приблизительный объем. В зависимости от условий внутри корзины индикатор может работать с ошибками.

Использование вставки для мульчирования

Дополнительные принадлежности

Вставка для мульчирования позволяет сбрасывать измельченную траву обратно на газон без сбора в корзину для травы. При работе с машиной, на которой установлена вставка для мульчирования, снимите корзину для травы.

ПРИМЕЧАНИЕ: При использовании машины со вставкой для мульчирования убедитесь в том, что общая длина травы после срезания составляет не менее 30 мм, а длина среза – не более 15 мм.

► **Рис.22:** (1) 30 мм или больше (2) 15 мм или меньше

ЭКСПЛУАТАЦИЯ

Скашивание

⚠ОСТОРОЖНО: Перед скашиванием убедитесь с газона ветки и камни. Кроме того, заблаговременно очистите газон от сорняков.

⚠ОСТОРОЖНО: При использовании газонокосилки обязательно надевайте защитные очки с боковыми щитками.

⚠ВНИМАНИЕ: Если внутри корпуса газонокосилки набилась скошенная трава или посторонние предметы, перед очисткой корпуса обязательно вытащите ключ блокировки и блок аккумулятора и наденьте перчатки.

ПРИМЕЧАНИЕ: Используйте машину только для стрижки газонов. Не используйте ее для скашивания сорняков.

► **Рис.23**

Во время работы крепко удерживайте рукоятку обеими руками.

Рекомендованная скорость кошения составляет приблизительно 1 м за 4 с.

► **Рис.24**

Внешние края передних колес служат ориентиром ширины полосы скашивания. Используйте внешние края передних колес в качестве ориентиров, косите полосами. Чтобы равномерно подстричь газон, захватывайте половину или третью часть предыдущей полосы.

► **Рис.25:** 1. Ширина скашивания 2. Зона захвата 3. Внешние края

Каждый раз меняйте направление движения, чтобы избежать пригибания травы в одном направлении.

► **Рис.26**

Периодически проверяйте степень заполнения корзины для травы. Опорожните корзину, прежде чем она заполнится полностью. Перед каждой проверкой обязательно останавливайте газонокосилку и извлеките ключ блокировки и блок аккумулятора.

ПРИМЕЧАНИЕ: Эксплуатация газонокосилки с заполненной корзиной для травы мешает плавному вращению лезвия и оказывает дополнительную нагрузку на двигатель, что может привести к поломке.

Скашивание высокой травы

Не старайтесь скосить длинную траву за один проход. Вместо этого выполняйте работу в несколько этапов. Скашивайте газон с интервалом в один или два дня до тех пор, пока он не станет ровным.

ПРИМЕЧАНИЕ: Скашивание высокой травы за один проход может стать причиной ее засыхания. Скошенная трава также может застрять в корпусе косилки.

Опорожнение корзины для травы

⚠ ОСТОРОЖНО: Чтобы снизить риск несчастного случая, регулярно проверяйте корзину для травы на предмет повреждений и потери прочности. При необходимости замените ее.

1. Отпустите рычажный выключатель.
2. Извлеките ключ блокировки.
3. Откройте заднюю крышку и извлеките корзину для травы за специальную рукоятку.
▶ **Рис.27:** 1. Задняя крышка 2. Ручка
4. Опорожните корзину для травы.

ОБСЛУЖИВАНИЕ

⚠ ОСТОРОЖНО: Перед помещением на хранение, переноской, осмотром или техническим обслуживанием газонокосилки обязательно вынимайте ключ блокировки и блок аккумулятора.

⚠ ОСТОРОЖНО: Если газонокосилка не используется, обязательно извлеките ключ блокировки. Храните ключ блокировки в безопасном месте, недоступном для детей.

⚠ ОСТОРОЖНО: При осмотре и обслуживании надевайте защитные перчатки.

⚠ ОСТОРОЖНО: При осмотре и техническом обслуживании газонокосилки обязательно надевайте защитные очки с боковыми щитками.

ПРИМЕЧАНИЕ: Запрещается использовать бензин, растворители, спирт и другие подобные жидкости. Это может привести к обесцвечиванию, деформации и трещинам.

Для обеспечения БЕЗОПАСНОСТИ и НАДЕЖНОСТИ обслуживания ремонт, любое другое техобслуживание или регулировку необходимо производить в уполномоченных сервис-центрах Makita или сервис-центрах предприятия с использованием только сменных частей производства Makita.

Обслуживание

1. Извлеките ключ блокировки. Храните его в безопасном месте, недоступном для детей.
2. Очистите газонокосилку влажной тряпкой. При очистке газонокосилки не распыляйте на нее воду и не поливайте ее водой.
3. Положите газонокосилку на бок и очистите обрезки травы, скопившиеся на днище.
4. Проверьте надежность затяжки всех гаек, болтов, рукояток, винтов, креплений и т. п.
5. Осмотрите подвижные части на предмет повреждений, поломок и износа. Необходимо отремонтировать или заменить поврежденные компоненты.

Хранение

⚠ ОСТОРОЖНО: При переноске газонокосилки или помещении на хранение беритесь не за сложные рукоятки, а за переднюю ручку. В противном случае можно повредить сложные рукоятки или получить тяжелую травму.

Перед помещением газонокосилки на хранение извлеките блок аккумулятора и ключ блокировки. Храните газонокосилку в помещении, в сухом, прохладном, запираемом месте. Не храните газонокосилку и зарядное устройство в местах, где температура может подниматься до 40 °C и выше.

▶ **Рис.28:** 1. Передняя рукоятка 2. Задняя рукоятка

1. Ослабьте зажимные винты и раздвиньте нижнюю рукоятку с обеих сторон. Переместите переднюю рукоятку вниз. В этот момент надежно удерживайте нижнюю рукоятку, чтобы она не упала далеко от корпуса косилки.

▶ **Рис.29:** 1. Зажимной винт 2. Нижняя рукоятка

2. Ослабьте зажимные гайки и поверните верхнюю рукоятку назад, выдвигая с обеих сторон.

▶ **Рис.30:** 1. Зажимная гайка 2. Верхняя рукоятка

3. Храните корзину для травы между рукояткой и корпусом газонокосилки.

▶ **Рис.31:** 1. Корзина для травы

ПРИМЕЧАНИЕ: При установке газонокосилки в вертикальное положение не беритесь за рукоятку, а используйте переднюю ручку.

Снятие или установка лезвия косилки

⚠ ОСТОРОЖНО: Обязательно извлекайте ключ блокировки и блок аккумулятора при снятии и установке лезвия. Невыполнение этого требования может привести к тяжелой травме.

⚠ ОСТОРОЖНО: После отпущения выключателя лезвие продолжает вращаться по инерции в течение нескольких секунд. Не приступайте к выполнению каких-либо операций, пока лезвие полностью не остановится.

⚠ ОСТОРОЖНО: При работе с лезвием обязательно надевайте защитные перчатки.

Снятие лезвия газонокосилки

Модель DLM382

1. Положите газонокосилку на бок, чтобы рычаг регулировки высоты стрижки оказался сверху.
2. Чтобы заблокировать вращение лезвия, вставьте отвертку или аналогичный инструмент в отверстие на корпусе газонокосилки.
3. Поверните болт гаечным ключом против часовой стрелки.

► **Рис.32:** 1. Лезвие газонокосилки 2. Шурупверт
3. Гаечный ключ

4. Последовательно извлеките болт и лезвие газонокосилки.

► **Рис.33:** 1. Опора лезвия 2. Лезвие газонокосилки
3. Болт

Модель DLM432

1. Положите газонокосилку на бок, чтобы рычаг регулировки высоты стрижки оказался сверху.
2. Чтобы заблокировать вращение лезвия, вставьте отвертку или аналогичный инструмент в отверстие на корпусе газонокосилки.
3. Поверните болт гаечным ключом против часовой стрелки.

► **Рис.34:** 1. Лезвие газонокосилки 2. Шурупверт
3. Гаечный ключ

4. Извлеките болт, наружный фланец, лезвие газонокосилки и внутренний фланец.

► **Рис.35:** 1. Внутренний фланец 2. Лезвие газонокосилки 3. Наружный фланец 4. Болт

Установка лезвия газонокосилки

Установка лезвия газонокосилки выполняется в порядке, обратном процедуре снятия.

⚠ ОСТОРОЖНО: Осторожно установите лезвие газонокосилки. Лезвие имеет верхнюю и нижнюю сторону. Расположите лезвие так, чтобы стрелка, обозначающая направление вращения, указывала наружу.

⚠ ОСТОРОЖНО: Надежно затяните болт по часовой стрелке, чтобы зафиксировать лезвие.

⚠ ОСТОРОЖНО: Убедитесь в том, что лезвие газонокосилки и все крепежные детали установлены правильно и надежно затянуты.

⚠ ОСТОРОЖНО: При замене лезвий всегда следуйте инструкциям, приведенным в руководстве по эксплуатации.

ПОИСК И УСТРАНЕНИЕ НЕИСПРАВНОСТЕЙ

Прежде чем обращаться по поводу ремонта, проведите осмотр самостоятельно. Если обнаружена неисправность, не указанная в руководстве, не пытайтесь разобрать инструмент. Обратитесь в один из авторизованных сервисных центров Makita, в которых для ремонта всегда используются оригинальные детали Makita.

Состояние неисправности	Возможная причина (неисправности)	Способ устранения
Газонокосилка не запускается.	Не установлены два блока аккумуляторов.	Установите заряженные блоки аккумуляторов.
	Неисправен аккумулятор (под напряжением)	Зарядите блок аккумулятора. Если перезарядка не помогает, замените блок аккумулятора.
	Ключ блокировки не вставлен.	Вставьте ключ блокировки.
После непродолжительного использования двигатель останавливается.	Низкий уровень заряда аккумулятора.	Зарядите блок аккумулятора. Если перезарядка не помогает, замените блок аккумулятора.
	Установлена слишком малая высота срезания.	Увеличьте высоту срезания.
Двигатель не достигает максимальной частоты вращения.	Неправильно установлен блок аккумулятора.	Вставьте блок аккумулятора, как описано в этом руководстве.
	Заряд аккумулятора падает.	Зарядите блок аккумулятора. Если перезарядка не помогает, замените блок аккумулятора.
	Привод работает неправильно.	Обратитесь в местный авторизованный центр для ремонта.
Лезвие газонокосилки не вращается: ⇒ немедленно выключите косилку!	Посторонний объект (например, ветка) застрял у лезвия.	Удалите посторонний предмет.
	Привод работает неправильно.	Обратитесь в местный авторизованный центр для ремонта.
Сильная вибрация: ⇒ немедленно выключите косилку!	Лезвие разбалансировано, изношено слишком сильно или неравномерно.	Замените лезвие.

ДОПОЛНИТЕЛЬНЫЕ ПРИНАДЛЕЖНОСТИ

⚠ ВНИМАНИЕ: Данные принадлежности или приспособления рекомендуются для использования с инструментом Makita, указанным в настоящем руководстве. Использование других принадлежностей или приспособлений может привести к получению травмы. Используйте принадлежность или приспособление только по указанному назначению.

Если вам необходимо содействие в получении дополнительной информации по этим принадлежностям, свяжитесь с вашим сервис-центром Makita.

- Лезвие газонокосилки
- Вставка для мульчирования
- Оригинальный аккумулятор и зарядное устройство Makita

ПРИМЕЧАНИЕ: Некоторые элементы списка могут входить в комплект инструмента в качестве стандартных приспособлений. Они могут отличаться в зависимости от страны.

Makita Europe N.V.

Jan-Baptist Vinkstraat 2, 3070 Kortenberg, Belgium

Makita Corporation

3-11-8, Sumiyoshi-cho, Anjo, Aichi 446-8502 Japan

www.makita.com



885748B988
EN, SV, NO, FI, DA,
LV, LT, ET, RU
20231115