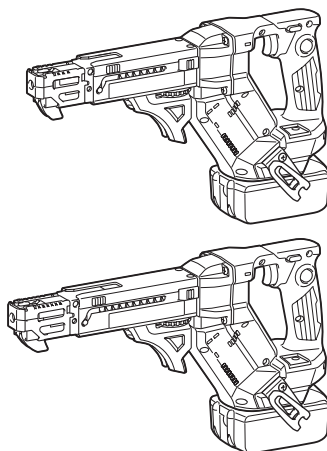
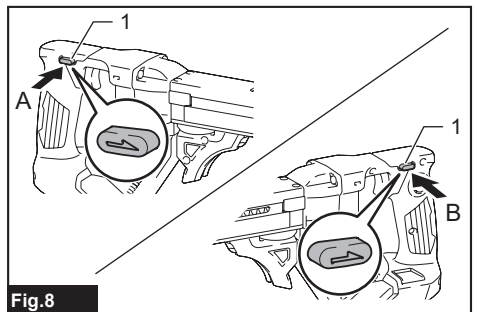
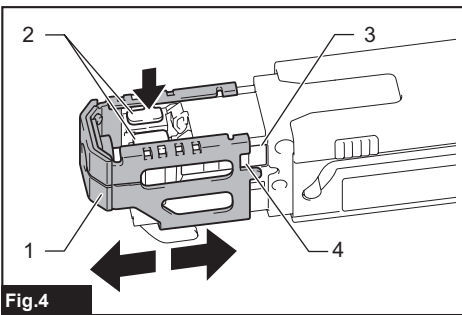
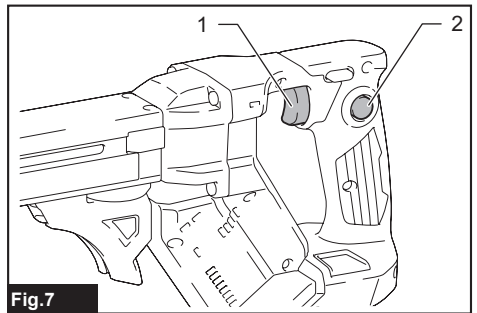
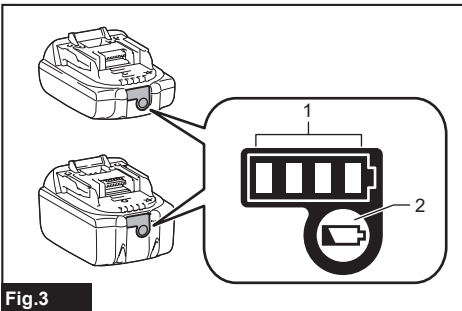
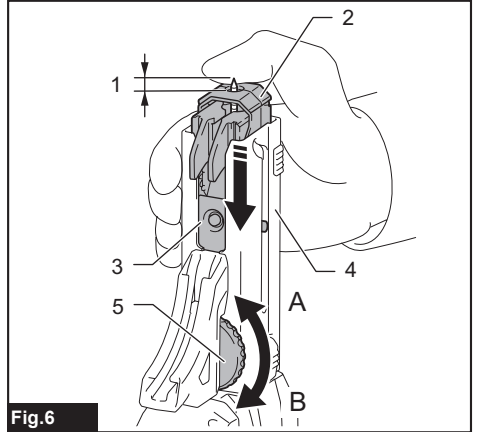
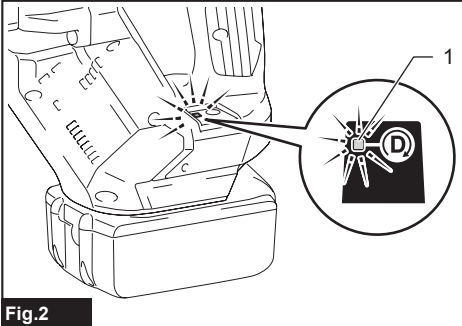
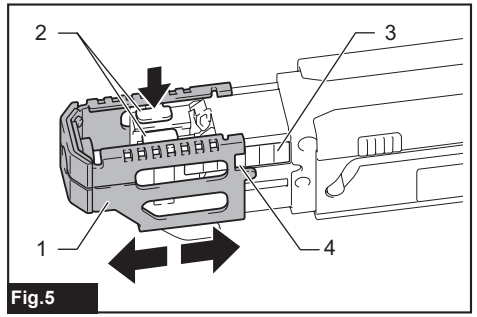
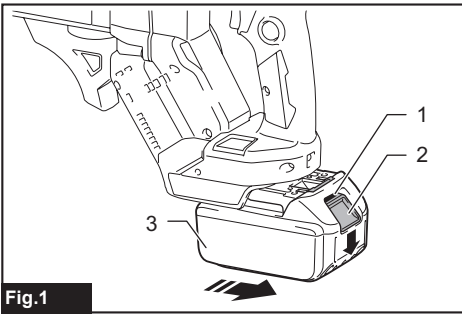


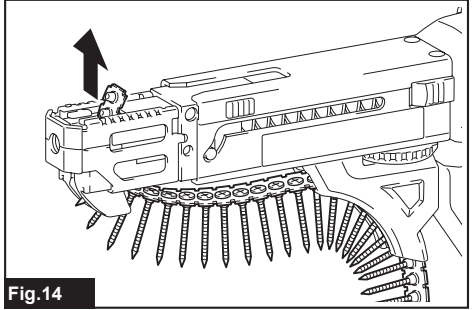
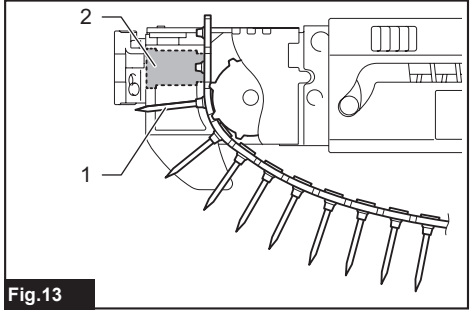
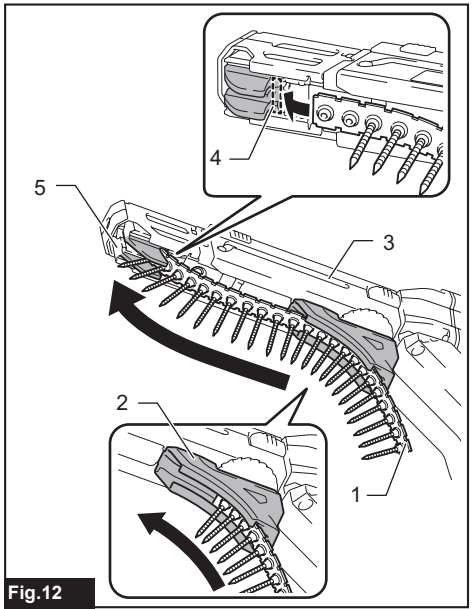
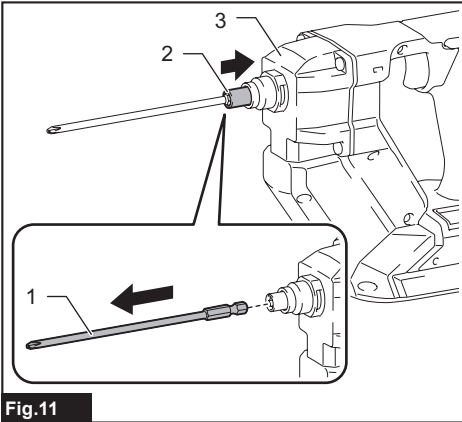
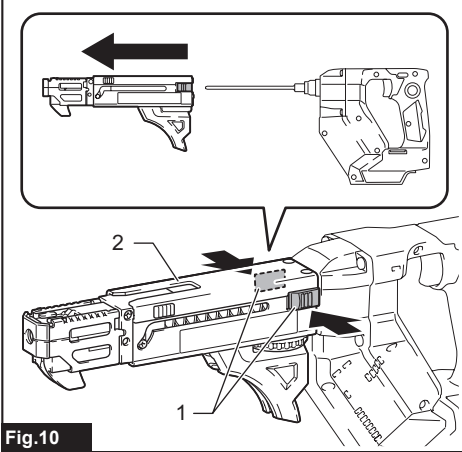
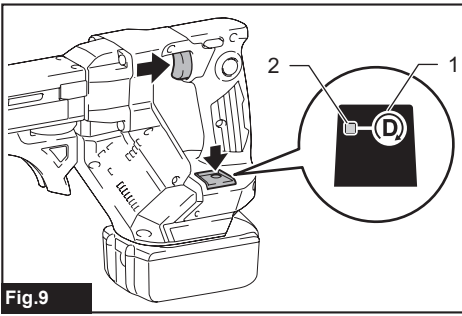


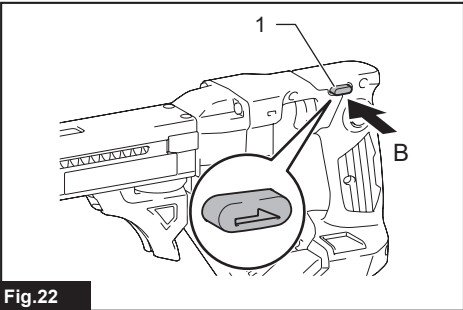
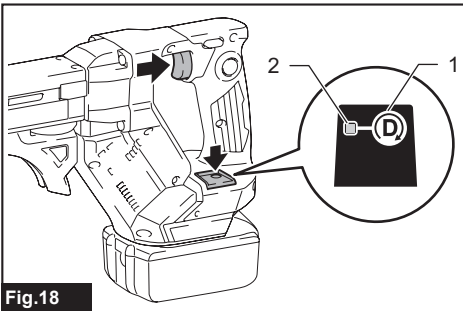
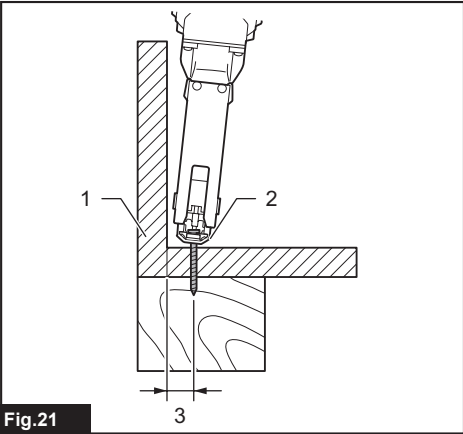
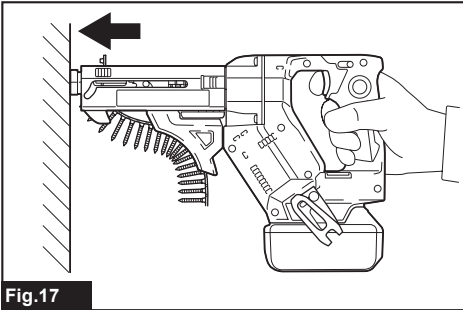
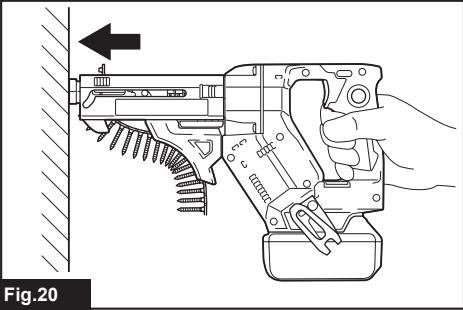
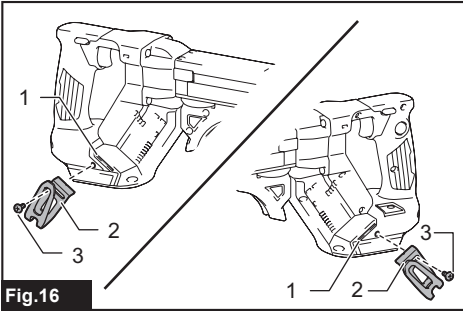
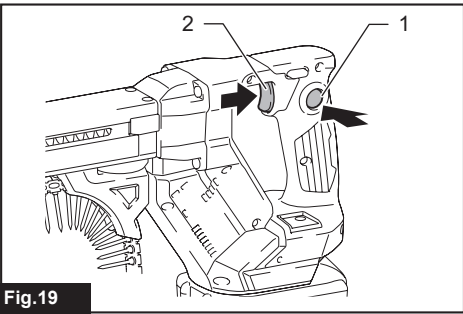
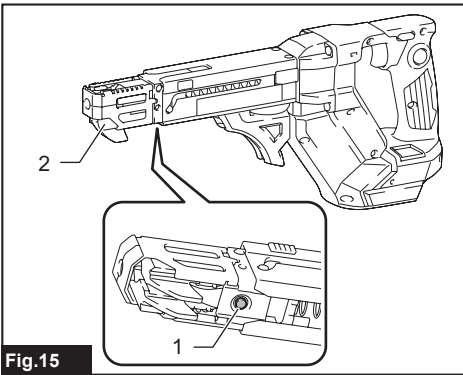
EN	Cordless Auto Feed Screwdriver	INSTRUCTION MANUAL	6
SV	Batteridrivnen skruvmejsel med automatisk matning	BRUKSANVISNING	12
NO	Batteridrevet skrutrekker med automatisk mating	BRUKSANVISNING	18
FI	Akkukäyttöinen autosyöttöinen ruuvinväännin	KÄYTTÖOHJE	24
DA	Akku skruetrækker med automatisk fremføring	BRUGSANVISNING	30
LV	Bezvadu skrūvgriezis ar automātisku padevi	LIETOŠANAS INSTRUKCIJA	37
LT	Belaidis atsuktuvvas su automatinio tiekuvu	NAUDOJIMO INSTRUKCIJA	44
ET	Automaatse etteandega juhtmeta kruvikeeraja	KASUTUSJUHEND	51
RU	Акумуляторный магазинный шуруповерт	РУКОВОДСТВО ПО ЭКСПЛУАТАЦИИ	57

**DFR452**  
**DFR551**









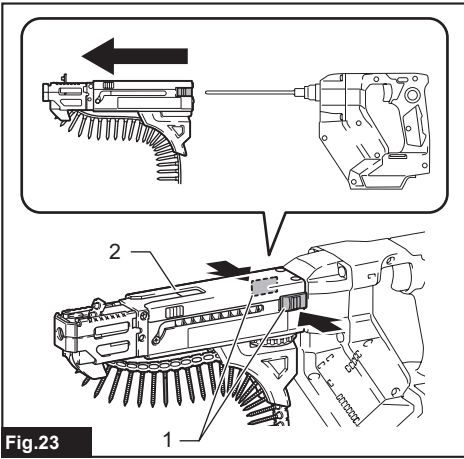


Fig.23

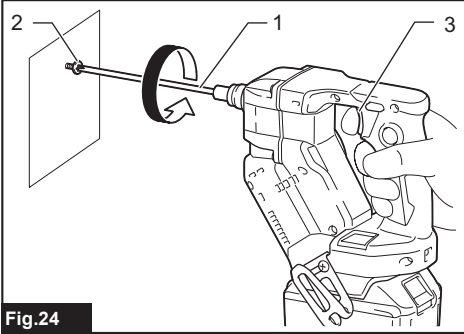


Fig.24

# SPECIFICATIONS

Model:	DFR452	DFR551
Screw strip	ø3.5 mm x 20 mm - ø4.2 mm x 41 mm	ø3.5 mm x 25 mm - ø4.2 mm x 55 mm
No load speed (RPM)	0 - 6,000 min <sup>-1</sup>	
Overall length	360 mm	396 mm
Rated voltage	D.C. 18 V	
Net weight	1.9 - 2.2 kg	

- Due to our continuing program of research and development, the specifications herein are subject to change without notice.
- Specifications may differ from country to country.
- The weight may differ depending on the attachment(s), including the battery cartridge. The lightest and heaviest combination, according to EPTA-Procedure 01/2014, are shown in the table.

## Applicable battery cartridge and charger

Battery cartridge	BL1815N / BL1820B / BL1830B / BL1840B / BL1850B / BL1860B
Charger	DC18RC / DC18RD / DC18RE / DC18SD / DC18SE / DC18SF / DC18SH

- Some of the battery cartridges and chargers listed above may not be available depending on your region of residence.

**⚠ WARNING: Only use the battery cartridges and chargers listed above.** Use of any other battery cartridges and chargers may cause injury and/or fire.

## Intended use

The tool is intended for screw driving in wood, metal and plastic.

## Noise

The typical A-weighted noise level determined according to EN62841-2-2:

### Model DFR452

Sound pressure level ( $L_{pA}$ ): 75 dB(A)

Uncertainty (K): 3 dB(A)

### Model DFR551

Sound pressure level ( $L_{pA}$ ): 74 dB(A)

Uncertainty (K): 3 dB(A)

The noise level under working may exceed 80 dB (A).

**NOTE:** The declared noise emission value(s) has been measured in accordance with a standard test method and may be used for comparing one tool with another.

**NOTE:** The declared noise emission value(s) may also be used in a preliminary assessment of exposure.

**⚠ WARNING: Wear ear protection.**

**⚠ WARNING:** The noise emission during actual use of the power tool can differ from the declared value(s) depending on the ways in which the tool is used especially what kind of workpiece is processed.

**⚠ WARNING:** Be sure to identify safety measures to protect the operator that are based on an estimation of exposure in the actual conditions of use (taking account of all parts of the operating cycle such as the times when the tool is switched off and when it is running idle in addition to the trigger time).

## Vibration

The vibration total value (tri-axial vector sum) determined according to EN62841-2-2:

### Model DFR452

Work mode: screwdriving without impact

Vibration emission ( $a_{h1}$ ): 2.5 m/s<sup>2</sup> or less

Uncertainty (K): 1.5 m/s<sup>2</sup>

### Model DFR551

Work mode: screwdriving without impact

Vibration emission ( $a_{h1}$ ): 2.5 m/s<sup>2</sup> or less

Uncertainty (K): 1.5 m/s<sup>2</sup>

**NOTE:** The declared vibration total value(s) has been measured in accordance with a standard test method and may be used for comparing one tool with another.

**NOTE:** The declared vibration total value(s) may also be used in a preliminary assessment of exposure.

**⚠ WARNING:** The vibration emission during actual use of the power tool can differ from the declared value(s) depending on the ways in which the tool is used especially what kind of workpiece is processed.

**⚠ WARNING:** Be sure to identify safety measures to protect the operator that are based on an estimation of exposure in the actual conditions of use (taking account of all parts of the operating cycle such as the times when the tool is switched off and when it is running idle in addition to the trigger time).

## EC Declaration of Conformity

### For European countries only

The EC declaration of conformity is included as Annex A to this instruction manual.

# SAFETY WARNINGS

## General power tool safety warnings

**⚠ WARNING:** Read all safety warnings, instructions, illustrations and specifications provided with this power tool. Failure to follow all instructions listed below may result in electric shock, fire and/or serious injury.

## Save all warnings and instructions for future reference.

The term "power tool" in the warnings refers to your mains-operated (corded) power tool or battery-operated (cordless) power tool.

## Cordless screwdriver safety warnings

1. **Hold the power tool by insulated gripping surfaces, when performing an operation where the fastener may contact hidden wiring.** Fasteners contacting a "live" wire may make exposed metal parts of the power tool "live" and could give the operator an electric shock.
2. **Always be sure you have a firm footing. Be sure no one is below when using the tool in high locations.**
3. **Hold the tool firmly.**
4. **Keep hands away from rotating parts.**
5. **Do not touch the bit or the workpiece immediately after operation; they may be extremely hot and could burn your skin.**
6. **Always secure workpiece in a vise or similar hold-down device.**
7. **Make sure there are no electrical cables, water pipes, gas pipes etc. that could cause a hazard if damaged by use of the tool.**

## SAVE THESE INSTRUCTIONS.

**⚠ WARNING:** DO NOT let comfort or familiarity with product (gained from repeated use) replace strict adherence to safety rules for the subject product.

**MISUSE** or failure to follow the safety rules stated in this instruction manual may cause serious personal injury.

## Important safety instructions for battery cartridge

1. **Before using battery cartridge, read all instructions and cautionary markings on (1) battery charger, (2) battery, and (3) product using battery.**
2. **Do not disassemble or tamper with the battery cartridge.** It may result in a fire, excessive heat, or explosion.
3. **If operating time has become excessively shorter, stop operating immediately.** It may result in a risk of overheating, possible burns and even an explosion.
4. **If electrolyte gets into your eyes, rinse them out with clear water and seek medical attention right away.** It may result in loss of your eyesight.

5. **Do not short the battery cartridge:**
  - (1) **Do not touch the terminals with any conductive material.**
  - (2) **Avoid storing battery cartridge in a container with other metal objects such as nails, coins, etc.**
  - (3) **Do not expose battery cartridge to water or rain.**

A battery short can cause a large current flow, overheating, possible burns and even a breakdown.

6. **Do not store and use the tool and battery cartridge in locations where the temperature may reach or exceed 50 °C (122 °F).**
7. **Do not incinerate the battery cartridge even if it is severely damaged or is completely worn out. The battery cartridge can explode in a fire.**
8. **Do not nail, cut, crush, throw, drop the battery cartridge, or hit against a hard object to the battery cartridge.** Such conduct may result in a fire, excessive heat, or explosion.
9. **Do not use a damaged battery.**
10. **The contained lithium-ion batteries are subject to the Dangerous Goods Legislation requirements.** For commercial transports e.g. by third parties, forwarding agents, special requirement on packaging and labeling must be observed. For preparation of the item being shipped, consulting an expert for hazardous material is required. Please also observe possibly more detailed national regulations. Tape or mask off open contacts and pack up the battery in such a manner that it cannot move around in the packaging.
11. **When disposing the battery cartridge, remove it from the tool and dispose of it in a safe place. Follow your local regulations relating to disposal of battery.**
12. **Use the batteries only with the products specified by Makita.** Installing the batteries to non-compliant products may result in a fire, excessive heat, explosion, or leak of electrolyte.
13. **If the tool is not used for a long period of time, the battery must be removed from the tool.**
14. **During and after use, the battery cartridge may take on heat which can cause burns or low temperature burns. Pay attention to the handling of hot battery cartridges.**
15. **Do not touch the terminal of the tool immediately after use as it may get hot enough to cause burns.**
16. **Do not allow chips, dust, or soil stuck into the terminals, holes, and grooves of the battery cartridge.** It may result in poor performance or breakdown of the tool or battery cartridge.
17. **Unless the tool supports the use near high-voltage electrical power lines, do not use the battery cartridge near high-voltage electrical power lines.** It may result in a malfunction or breakdown of the tool or battery cartridge.
18. **Keep the battery away from children.**

## SAVE THESE INSTRUCTIONS.

**⚠ CAUTION:** Only use genuine Makita batteries. Use of non-genuine Makita batteries, or batteries that have been altered, may result in the battery bursting causing fires, personal injury and damage. It will also void the Makita warranty for the Makita tool and charger.

## Tips for maintaining maximum battery life

1. Charge the battery cartridge before completely discharged. Always stop tool operation and charge the battery cartridge when you notice less tool power.
2. Never recharge a fully charged battery cartridge. Overcharging shortens the battery service life.
3. Charge the battery cartridge with room temperature at 10 °C - 40 °C (50 °F - 104 °F). Let a hot battery cartridge cool down before charging it.
4. When not using the battery cartridge, remove it from the tool or the charger.
5. Charge the battery cartridge if you do not use it for a long period (more than six months).

## FUNCTIONAL DESCRIPTION

**CAUTION:** Always be sure that the tool is switched off and the battery cartridge is removed before adjusting or checking function on the tool.

## Installing or removing battery cartridge

**CAUTION:** Always switch off the tool before installing or removing of the battery cartridge.

**CAUTION:** Hold the tool and the battery cartridge firmly when installing or removing battery cartridge. Failure to hold the tool and the battery cartridge firmly may cause them to slip off your hands and result in damage to the tool and battery cartridge and a personal injury.

► Fig.1: 1. Red indicator 2. Button 3. Battery cartridge

To remove the battery cartridge, slide it from the tool while sliding the button on the front of the cartridge.

To install the battery cartridge, align the tongue on the battery cartridge with the groove in the housing and slip it into place. Insert it all the way until it locks in place with a little click. If you can see the red indicator as shown in the figure, it is not locked completely.

**CAUTION:** Always install the battery cartridge fully until the red indicator cannot be seen. If not, it may accidentally fall out of the tool, causing injury to you or someone around you.

**CAUTION:** Do not install the battery cartridge forcibly. If the cartridge does not slide in easily, it is not being inserted correctly.

## Tool / battery protection system

The tool is equipped with a tool/battery protection system. This system automatically cuts off power to the motor to extend tool and battery life. The tool will automatically stop during operation if the tool or battery is placed under one of the following conditions:

## Overload protection

When the tool/battery is operated in a manner that causes it to draw an abnormally high current, the tool stops automatically. In this situation, turn the tool off and stop the application that caused the tool to become overloaded. Then turn the tool on to restart.

## Overheat protection

When the tool/battery is overheated, the tool stops automatically. In this situation, let the tool/battery cool before turning the tool on again.

## Overdischarge protection

When the battery capacity is not enough, the tool stops automatically. In this case, remove the battery from the tool and charge the battery.

## Alert indicator

The indicator lamp on the push drive mode selector raises an alert with flashing red lights when the tool works in the following operating conditions.

► Fig.2: 1. Indicator lamp

Lamp status	Causes	Remedies
Fast flashing (approx. one-third second intervals)	Battery getting low	Charge the battery at your earliest opportunity.
Delayed flashing (approx. a second intervals)	Overheated	Let the tool cool down before turning it on again.

**NOTE:** An over-discharge alert may appear depending on the battery status and operational conditions.

## Indicating the remaining battery capacity

*Only for battery cartridges with the indicator*

► Fig.3: 1. Indicator lamps 2. Check button

Press the check button on the battery cartridge to indicate the remaining battery capacity. The indicator lamps light up for a few seconds.

Indicator lamps			Remaining capacity
Lighted	Off	Blinking	
■ ■ ■ ■			75% to 100%
■ ■ ■ □			50% to 75%
■ ■ □ □			25% to 50%
■ □ □ □			0% to 25%
▣ □ □ □			Charge the battery.
■ ■ □ □			The battery may have malfunctioned.
□ □ ■ ■			



**NOTE:** Depending on the conditions of use and the ambient temperature, the indication may differ slightly from the actual capacity.

**NOTE:** The first (far left) indicator lamp will blink when the battery protection system works.

## Setting for desired screw lengths

### For model DFR452

The tool provides 4 positive-lock screw length settings. Slide the stopper base out and in while depressing the levers on the top surface of the stopper base so the number for desired screw length (indicated on the label) appears in the reading window. See the following table for details on the numbers allocated to your desired screw lengths.

► **Fig.4:** 1. Stopper base 2. Levers 3. Label 4. Reading window

Numbers indicated on the label	Screw length ranges
20	20 mm (3/4")
25	25 mm - 28 mm (1" - 1-1/8")
32	28 mm - 35 mm (1-1/8" - 1-3/8")
41	35 mm - 41 mm (1-3/8" - 1-5/8")

### For model DFR551

The tool provides 7 positive-lock screw length settings. Slide the stopper base out and in while depressing the levers on the top surface of the stopper base so the number for desired screw length (indicated on the label) appears in the reading window. See the following table for details on the numbers allocated to your desired screw lengths.

► **Fig.5:** 1. Stopper base 2. Levers 3. Label 4. Reading window

Numbers indicated on the label	Screw length ranges
25	25 mm (1")
30	25 mm - 30 mm (1" - 1-3/16")
35	30 mm - 35 mm (1-3/16" - 1-3/8")
40	35 mm - 40 mm (1-3/8" - 1-9/16")
45	40 mm - 45 mm (1-9/16" - 1-3/4")
50	45 mm - 50 mm (1-3/4" - 2")
55	50 mm - 55 mm (2" - 2-3/16")

## Adjusting driving depths

Press the front face of the stopper base and hold the feeder box down into the casing as far as it will go. While keeping it in that position, turn the adjusting dial so that the driver bit tip comes out approximately 6 mm from the front face of the stopper base.

Drive a trial screw. If the screw head stands above the workpiece surface, turn the adjusting dial in the A direction; if the screw head sits below the surface, turn the adjusting dial in the B direction.

► **Fig.6:** 1. Approx. 6 mm 2. Stopper base 3. Feeder box 4. Casing 5. Adjusting dial

## Switch action

**⚠WARNING:** Before installing the battery cartridge into the tool, always check to see that the switch trigger actuates properly and returns to the "OFF" position when released.

To start the tool, pull the switch trigger. Tool speed is increased by increasing pressure on the switch trigger. Release the switch trigger to stop. For continuous operation, pull the switch trigger, push in the lock button and then release the trigger. To stop the tool from the locked position, pull the switch trigger fully, and then release it.

► **Fig.7:** 1. Switch trigger 2. Lock button

## Reversing switch action

**⚠CAUTION:** Always check the direction of rotation before operation.

**⚠CAUTION:** Use the reversing switch only after the tool comes to a complete stop. Changing the direction of rotation before the tool stops may damage the tool.

**⚠CAUTION:** When not operating the tool, always set the reversing switch lever to the neutral position.

This tool has a reversing switch to change the direction of rotation. Depress the reversing switch lever from the A side for clockwise rotation or from the B side for counterclockwise rotation.

When the reversing switch lever is in the neutral position, the switch trigger cannot be pulled.

► **Fig.8:** 1. Reversing switch lever

## Push drive mode

In push drive mode, the driver bit only rotates by applying pressure onto the driving surface with the stopper base, allowing the tool to cut off power to the motor to save battery power at idle.

To select push drive mode, pull the switch trigger slightly, then release it and quickly press the mode select button. The indicator lamp on the push drive mode selector will then light up.

► **Fig.9:** 1. Mode select button 2. Indicator lamp

**NOTE:** Push drive mode will automatically be deactivated after eight hours with the switch trigger locked on and no further switch operation. To restart the tool, pull the switch trigger fully to release the lock button, and pull the trigger again.

## ASSEMBLY

**⚠CAUTION:** Always be sure that the tool is switched off and the battery cartridge is removed before carrying out any work on the tool.

## Removing and installing driver bit

**⚠ CAUTION:** Be careful not to touch the sharp edges of screws while reassembling the components and attachments.

**⚠ CAUTION:** Handle accessories and attachments with care. Always be sure to hold accessories and attachments body firmly when installation and uninstallation to avoid them falling or slipping off from your hands.

1. Press and hold the release buttons on each side of the casing, and then pull the casing apart.  
▶ **Fig.10:** 1. Release buttons 2. Casing
2. To remove the driver bit, pull it off while pushing and holding the spindle into the gear housing.  
▶ **Fig.11:** 1. Driver bit 2. Spindle 3. Gear housing
3. To install a driver bit, place it into the spindle hole as far as it will go while pushing and holding the spindle into the gear housing. Then release the spindle to secure the driver bit.
4. Reset the casing back onto the gear housing while holding its body firmly until the release buttons on each side of the casing lock in place.

## Installing screw strip

Insert a screw strip through the screw strip guide on the casing, and then insert it through the screw loading guide in the feeder box.

- ▶ **Fig.12:** 1. Screw strip 2. Screw strip guide 3. Casing 4. Screw loading guide 5. Feeder box

**NOTICE:** Make sure to set the first screw in the second row next to the driving position.

- ▶ **Fig.13:** 1. First screw 2. Driving position

## Removing screw strip

To remove the screw strip, pull it upwards out of the feeder box.

- ▶ **Fig.14**

The screw strip can be pulled downwards out of the feeder box while pressing the reverse button on the feeder box.

- ▶ **Fig.15:** 1. Reverse button 2. Feeder box

## Installing hook

**⚠ CAUTION:** When installing the hook, always secure it with the screw firmly. If not, the hook may come off from the tool and result in the personal injury.

- ▶ **Fig.16:** 1. Groove 2. Hook 3. Screw

The hook is convenient for temporarily hanging the tool. This can be installed on either side of the tool. To install the hook, insert it into a groove in the tool housing on either side and then secure it with a screw. To remove, loosen the screw and then take it out.

# OPERATION

## Driving operation

**NOTICE:** Always check the driver bit carefully for wear before driving operations. Replace a worn driver bit or poor fastening may result.

**NOTICE:** Always hold the tool squarely against the driving surface. Holding it at an angle may damage the screw heads and cause wear on the driver bit. This may also lead to poor fastening.

**NOTICE:** Always keep the tool firmly against the driving surface until the driving is over. Failure to do so may cause insufficient fastening of screws.

**NOTICE:** Be careful not to drive a screw onto another screw already fastened.

**NOTICE:** Do not operate the tool without screws. It will damage the driving surface.

**NOTICE:** If the feeder box does not work smoothly when driving screws, spray car wax (spray type) on the sliding surfaces. Never lubricate it.

Switch on the tool by pulling the switch trigger. Hold the tool squarely and firmly up against the driving surface. A screw will be automatically carried to the driving position and fastened.

- ▶ **Fig.17**

## Driving operation in push drive mode

1. Pull the switch trigger slightly and release it. Then quickly press the mode select button.

The indicator lamp on the push drive mode selector lights up, and push drive mode becomes activated.

- ▶ **Fig.18:** 1. Mode select button 2. Indicator lamp

2. Depress the lock button while pulling the switch trigger, and then release the switch trigger.

- ▶ **Fig.19:** 1. Lock button 2. Switch trigger

**NOTE:** While selecting push drive mode and locking the trigger on, the motor does not rotate under no load to minimize power consumption.

3. Hold the tool squarely against the driving surface and apply forward pressure to the tool.

The screw will be automatically carried to the driving position and driven at full speed.

- ▶ **Fig.20**

## Driving in corner

**⚠ CAUTION:** Driving at a position closer than 15 mm to the wall or driving with the stopper base in contact with the wall may damage the screw heads and cause wear on the driver bit. This may also lead to poor fastening of screws and malfunction of the tool.

This tool can be used to drive at a position 15 mm away from the wall as shown in the figure.

- ▶ **Fig.21:** 1. Wall 2. Stopper base 3. 15 mm

## Unfastening operation

**⚠ CAUTION:** Always check the direction of rotation before operation.

**⚠ CAUTION:** Use the reversing switch only after the tool comes to a complete stop. Changing the direction of rotation before the tool stops may damage the tool.

The tool allows you to change the direction of driver bit rotation with ease, either towards the right (clockwise) to tighten a screw or towards the left (counterclockwise) to loosen a screw.

1. Depress the reversing switch lever from the B side for counterclockwise rotation.

▶ **Fig.22:** 1. Reversing switch lever

2. Press and hold the release buttons on each side of the casing, and then pull the casing apart.

▶ **Fig.23:** 1. Release buttons 2. Casing

3. Place the tip of the driver bit into the head of the screw to be loosened.

4. Hold the tool firmly against the screw and squeeze the switch trigger to start.

▶ **Fig.24:** 1. Driver bit 2. Screw head 3. Switch trigger

5. Reset the casing back onto the gear housing until it locks in place after finishing operation.

## MAINTENANCE

**⚠ CAUTION:** Always be sure that the tool is switched off and the battery cartridge is removed before attempting to perform inspection or maintenance.

**NOTICE:** Never use gasoline, benzine, thinner, alcohol or the like. Discoloration, deformation or cracks may result.

To maintain product SAFETY and RELIABILITY, repairs, any other maintenance or adjustment should be performed by Makita Authorized or Factory Service Centers, always using Makita replacement parts.

## After use

Wipe off the tool using a dry cloth or cloth slightly moistened with soapy water at regular intervals.

## OPTIONAL ACCESSORIES

**⚠ CAUTION:** These accessories or attachments are recommended for use with your Makita tool specified in this manual. The use of any other accessories or attachments might present a risk of injury to persons. Only use accessory or attachment for its stated purpose.

If you need any assistance for more details regarding these accessories, ask your local Makita Service Center.

- Drywall screw strip
- Phillips bit
- Square bit
- Pozidriv bit
- Feeder box
- Casing
- Makita genuine battery and charger

**NOTE:** Some items in the list may be included in the tool package as standard accessories. They may differ from country to country.

## SPECIFIKATIONER

Modell:	DFR452	DFR551
Skruvband	ø3,5 mm x 20 mm - ø4,2 mm x 41 mm	ø3,5 mm x 25 mm - ø4,2 mm x 55 mm
Hastighet utan belastning (RPM)	0 - 6 000 min <sup>-1</sup>	
Total längd	360 mm	396 mm
Märkspänning	18 V likström	
Nettovikt	1,9 - 2,2 kg	

- På grund av vårt pågående program för forskning och utveckling kan dessa specifikationer ändras utan föregående meddelande.
- Specifikationer kan variera mellan olika länder.
- Vikten kan variera beroende på tillbehören, inklusive batterikassett. Den lättaste och den tyngsta kombinationen enligt EPTA-procedur 01/2014 visas i tabellen.

### Tillgänglig batterikassett och laddare

Batterikassett	BL1815N / BL1820B / BL1830B / BL1840B / BL1850B / BL1860B
Laddare	DC18RC / DC18RD / DC18RE / DC18SD / DC18SE / DC18SF / DC18SH

- Vissa av batterikassetterna och laddarna på listan ovan kanske inte finns tillgängliga i din region.

**⚠ VARNING:** Använd endast batterikassetter och laddare från listan ovan. Användning av andra batterikassetter och laddare kan orsaka personskada och/eller brand.

### Avsedd användning

Verktyget är avsett för skruvdragning i trä, metall och plast.

### Buller

Den normala bullernivån för A-belastning är bestämd enligt EN62841-2-2:

#### Modell DFR452

Ljudtrycksnivå ( $L_{pA}$ ): 75 dB (A)

Måttolerans (K): 3 dB (A)

#### Modell DFR551

Ljudtrycksnivå ( $L_{pA}$ ): 74 dB (A)

Måttolerans (K): 3 dB (A)

Bullernivån vid arbete kan överstiga 80 dB (A).

**OBS:** Det deklarerade bullervärdet har uppmätts i enlighet med standardtestmetoden och kan användas för jämförandet av en maskin med en annan.

**OBS:** Det deklarerade bulleremissionsvärdet kan också användas i en preliminär bedömning av exponering för vibration.

**⚠ VARNING:** Använd hörselskydd.

**⚠ VARNING:** Bulleremissionen under faktisk användning av maskinen kan skilja sig från det deklarerade värdet, beroende på hur maskinen används och särskilt vilken typ av arbetsstycke som behandlas.

**⚠ VARNING:** Var noga med att identifiera säkerhetsåtgärder för att skydda användaren, vilka är grundade på en uppskattning av graden av exponering för vibrationer under de faktiska användningsförhållandena, (ta, förutom avtryckartiden, med alla delar av användarcykeln i beräkningen, som till exempel tiden då maskinen är avstängd och när den går på tomgång).

### Vibration

Det totala vibrationsvärdet (treaxlad vektorsumma) bestämt enligt EN62841-2-2:

#### Modell DFR452

Arbetsläge: skruva utan slagläge

Vibrationsemission ( $a_{h}$ ): 2,5 m/s<sup>2</sup> eller lägre

Måttolerans (K): 1,5 m/s<sup>2</sup>

#### Modell DFR551

Arbetsläge: skruva utan slagläge

Vibrationsemission ( $a_{h}$ ): 2,5 m/s<sup>2</sup> eller lägre

Måttolerans (K): 1,5 m/s<sup>2</sup>

**OBS:** Det deklarerade totala vibrationsvärdet har uppmätts i enlighet med standardtestmetoden och kan användas för jämförandet av en maskin med en annan.

**OBS:** Det deklarerade totala vibrationsvärdet kan också användas i en preliminär bedömning av exponering för vibration.

**⚠ VARNING:** Vibrationsemissionen under faktisk användning av maskinen kan skilja sig från det deklarerade värdet, beroende på hur maskinen används och särskilt vilken typ av arbetsstycke som behandlas.

**⚠ VARNING:** Var noga med att identifiera säkerhetsåtgärder för att skydda användaren, vilka är grundade på en uppskattning av graden av exponering för vibrationer under de faktiska användningsförhållandena, (ta, förutom avtryckartiden, med alla delar av användarcykeln i beräkningen, som till exempel tiden då maskinen är avstängd och när den går på tomgång).

## EG-försäkran om överensstämmelse

Gäller endast inom EU

EG-försäkran om överensstämmelse inkluderas som bilaga A till denna bruksanvisning.

## SÄKERHETSVARNINGAR

### Allmänna säkerhetsvarningar för maskiner

**⚠ VARNING:** Läs alla säkerhetsvarningar, anvisningar, illustrationer och specifikationer som medföljer det här maskinen. Underlåtenhet att följa instruktionerna kan leda till elstöt, brand och/eller allvarliga personskador.

### Spara alla varningar och instruktioner för framtida referens.

Termen "maskin" som anges i varningarna hänvisar till din eldrivna maskin (sladdansluten) eller batteridrivna maskin (sladdlös).

### Säkerhetsvarningar för batteridriven skruvdragare

1. Håll maskinen i de isolerade ytorna om det finns risk för att skruvdragaren kan komma i kontakt med en dold elkabel. Om skruvdragaren kommer i kontakt med en strömförande ledning blir maskinens metalldelar strömförande och kan ge operatören en elektrisk stöt.
2. Se till att alltid ha ordentligt fötfäste. Se till att ingen står under dig när verktyget används på hög höjd.
3. Håll verktyget i ett fast grepp.
4. Håll händerna på behörigt avstånd från roterande delar.
5. Rör inte vid borr eller arbetsstycke omedelbart efter användning eftersom de kan vara extremt varma och orsaka brännskador.
6. Fäst alltid arbetsstycken i ett stad eller liknande fasthållningsanordningar.
7. Se till att det inte finns några elkablar, vattenrör, gasledningar etc. som kan orsaka fara om de skadas av verktyget.

### SPARA DESSA ANVISNINGAR.

**⚠ VARNING:** GLÖM INTE att också fortsättningsvis strikt följa säkerhetsanvisningarna för maskinen även efter att du blivit van att använda den.

Vid FELAKTIG HANTERING av maskinen eller om inte säkerhetsanvisningarna i denna bruksanvisning följs kan följden bli allvarliga personskador.

## Viktiga säkerhetsanvisningar för batterikassetten

1. Innan batterikassetten används ska alla instruktioner och varningsmärken på (1) batteriladdaren, (2) batteriet och (3) produkten läsas.
2. Montera inte isär eller mixtra med batterikassetten. Det kan leda till brand, överdriven värme eller explosion.
3. Om drifttiden blivit avsevärt kortare ska användningen avbrytas omedelbart. Det kan uppstå överhettning, brännskador och t o m en explosion.
4. Om du får elektrolyt i ögonen ska de sköljas med rent vatten och läkare uppsökas omedelbart. Det finns risk för att synen förloras.
5. Kortslut inte batterikassetten.
  - (1) Rör inte vid polerna med något strömförande material.
  - (2) Undvik att förvara batterikassetten tillsammans med andra metallobjekt som t.ex. spikar, mynt o.s.v.
  - (3) Skydda batteriet mot vatten och regn. En batterikortslutning kan orsaka ett stort strömflöde, överhettning, brand och maskinhaveri.
6. Förvara och använd inte verktyget och batterikassetten på platser där temperaturen kan nå eller överstiga 50 °C.
7. Bränn inte upp batterikassetten även om den är svårt skadad eller helt utsliten. Batterikassetten kan explodera i öppen eld.
8. Spika inte i, krossa, kasta, tappa eller slå batterikassetten mot hårda föremål. Dylåka handlingar kan leda till brand, överdriven värme eller explosion.
9. Använd inte ett skadat batteri.
10. De medföljande litiumjonbatterierna är föremål för kraven i gällande lagstiftning för farligt gods. För kommersiella transporter (av t.ex. tredje parter som speditorsfirmor) måste de särskilda transportkrav som anges på emballaget och etiketter iakttagas. För att förbereda den produkt som ska avsändas krävs att du konsulterar en expert på riskmaterial. Var också uppmärksam på att det i ditt land kan finnas ytterligare föreskrifter att följa. Tejpa över eller maskera blottade kontakter och packa batteriet på sådant sätt att det inte kan röra sig fritt i förpackningen.
11. När batterikassetten ska kasseras måste den tas bort från maskinen och kasseras på ett säkert sätt. Följ lokala föreskrifter beträffande avfallshantering av batteriet.
12. Använd endast batterierna med de produkter som specificerats av Makita. Att använda batterierna med ej godkända produkter kan leda till brand, överdriven värme, explosion eller utläckande elektrolyt.

13. Om maskinen inte används under en lång tid måste batteriet tas bort från maskinen.
14. Under och efter användning kan batterikassetten bli het vilket kan orsaka brännskador eller lättare brännskador. Var uppmärksam på hur du hanterar varma batterikassetter.
15. Vidrör inte verktygets kontakter direkt efter användning eftersom de kan bli heta och orsaka brännskador.
16. Låt inte flisor, damm eller smuts fastna i kontaktarna, i håll eller spår i batterikassetten. Det kan leda till dålig prestanda eller till att verktyget eller batterikassetten går sönder.
17. Såvida inte verktyget stöder arbeten i närheten av högspänningsledningar får batterikassetten inte användas i närheten av en högspänningsledning. Det kan leda till att verktyget eller batterikassetten går sönder eller inte fungerar korrekt.
18. Förvara batteriet utom räckhåll för barn.

## SPARA DESSA ANVISNINGAR.

**⚠FÖRSIKTIGT:** Använda endast äkta Makita-batterier. Användning av oäkta Makita-batterier eller batterier som har manipulerats kan leda till person- och utrustningsskador eller till att batteriet fattar eld. Det upphäver också Makitas garanti för verktyget och laddaren.

## Tips för att uppnå batteriets maximala livslängd

1. Ladda batterikassetten innan den är helt urladdad. Stanna alltid maskinen och ladda batterikassetten när du märker att maskinen blir svagare.
2. Ladda aldrig en fulladdad batterikasset. Överladdning förkortar batteriets livslängd.
3. Ladda batterikassetten vid en rumstemperatur på 10 °C - 40 °C. Låt en varm batterikasset svalna innan den laddas.
4. När batterikassetten inte används ska den tas bort från verktyget eller laddaren.
5. Ladda batterikassetten om du inte har använt den på länge (mer än sex månader).

## FUNKTIONSBESKRIVNING

**⚠FÖRSIKTIGT:** Se alltid till att maskinen är avstängd och batterikassetten borttagen innan du justerar maskinen eller kontrollerar dess funktioner.

## Montera eller demontera batterikassetten

**⚠FÖRSIKTIGT:** Stäng alltid av maskinen innan du monterar eller tar bort batterikassetten.

**⚠FÖRSIKTIGT:** Håll stadigt i maskinen och batterikassetten när du monterar eller tar bort batterikassetten. I annat fall kan det leda till att de glider ur dina händer och orsakar skada på maskinen och batterikassetten samt personskada.

► Fig. 1: 1. Röd indikator 2. Knapp 3. Batterikasset

Ta bort batterikassetten genom att skjuta ner knappen på kassetten framsida samtidigt som du drar ut batterikassetten.

Sätt i batterikassetten genom att rikta in tungan på batterikassetten mot spåret i höljet och skjut den på plats. Tryck in batterikassetten ordentligt tills den låser fast med ett klick. Om du kan se den röda indikatorn som bilden visar är den inte låst ordentligt.

**⚠FÖRSIKTIGT:** Sätt alltid i batterikassetten helt tills den röda indikatorn inte längre syns. I annat fall kan den oväntat falla ur verktyget och skada dig eller någon annan.

**⚠FÖRSIKTIGT:** Montera inte batterikassetten med våld. Om kassetten inte lätt glider på plats är den felinsatt.

## Skyddssystem för maskinen/batteriet

Verktyget är utrustat med ett skyddssystem för verktyget/batteriet. Detta system bryter automatiskt strömmen till motorn för att förlänga verktygets och batteriets livslängd. Verktyget stoppar automatiskt under användningen om verktyget eller batteriet hamnar i en av följande situationer:

### Överbelastningsskydd

När maskinen/batteriet används på ett sätt som gör att det drar onormalt mycket ström, stannar maskinen automatiskt. När detta sker stänger du av maskinen och upphör med arbetet som gjorde att maskinen överbelastades. Starta därefter upp maskinen igen.

### Överhettningsskydd

När verktyget/batteriet överhettas stoppas verktyget automatiskt. I sådant fall ska du låta verktyget/batteriet svalna innan du startar verktyget igen.

### Överurladdningsskydd

När batteriets kapacitet är otillräcklig stoppar maskinen automatiskt. I sådant fall ska batteriet tas ur maskinen och laddas.

## Varningsindikator

Indikatorlampan på tryckaktiveringsläge-väljaren genererar en varning med blinkande röda lampor när verktyget är på under följande driftförhållanden.

► **Fig.2:** 1. Indikatorlampa

Lampstatus	Orsaker	Åtgärder
Snabbt blinkande (intervall ca en tredjedels sekund)	Batterikapaciteten börjar bli låg	Ladda batteriet så fort som möjligt.
Fördröjt blinkande (intervall ca en sekund)	Överhettat	Låt verktyget svalna innan du startar det igen.
























**OBS:** Verktyget kan generera en överurladdningsvarning beroende på batteristatusen och driftförhållanden.

## Indikerar kvarvarande batterikapacitet

**Endast för batterikassetter med indikator**

► **Fig.3:** 1. Indikatorlampor 2. Kontrollknapp

Tryck på kontrollknappen på batterikassetten för att se kvarvarande batterikapacitet. Indikatorlamporna lyser i ett par sekunder.

Indikatorlampor			Kvarvarande kapacitet
 Upplyst	 Av	 Bliks	
			75% till 100%
			50% till 75%
			25% till 50%
			0% till 25%
			Ladda batteriet.
			Batteriet kan ha skadats.
			

**OBS:** Beroende på användningsförhållanden och den omgivande temperaturen kan indikationen skilja sig lätt från den faktiska batterikapaciteten.

**OBS:** Den första (längst till vänster) indikatorlampan kommer att blinka när batteriskyddssystemet fungerar.

## Inställning för önskade skruvlängder

**För modellen DFR452**

Verktyget har 4 fasta inställningslägen för skruvlängden. Skjut djupanslaget ut och in medan du trycker ned spakarna ovanpå djupanslaget, så att numret för den önskade skruvlängden (indikerat på etiketten) dyker upp på kåpan. Se tabellen nedan för detaljer om numren som är tilldelade till skruvlängderna.

► **Fig.4:** 1. Djupanslag 2. Spak 3. Platta 4. Kåpa

Numren indikerade på etiketten	Skruvlängdsintervall
20	20 mm (3/4")
25	25 mm - 28 mm (1" - 1-1/8")
32	28 mm - 35 mm (1-1/8" - 1-3/8")
41	35 mm - 41 mm (1-3/8" - 1-5/8")

**För modellen DFR551**

Verktyget har 7 fasta inställningslägen för skruvlängden. Skjut djupanslaget ut och in medan du trycker ned spakarna ovanpå djupanslaget, så att numret för den önskade skruvlängden (indikerat på etiketten) dyker upp på kåpan. Se tabellen nedan för detaljer om numren som är tilldelade till skruvlängderna.

► **Fig.5:** 1. Djupanslag 2. Spak 3. Platta 4. Kåpa

Numren indikerade på etiketten	Skruvlängdsintervall
25	25 mm (1")
30	25 mm - 30 mm (1" - 1-3/16")
35	30 mm - 35 mm (1-3/16" - 1-3/8")
40	35 mm - 40 mm (1-3/8" - 1-9/16")
45	40 mm - 45 mm (1-9/16" - 1-3/4")
50	45 mm - 50 mm (1-3/4" - 2")
55	50 mm - 55 mm (2" - 2-3/16")

## Inställning av borrhjulen

Tryck på framsidan av djupanslaget och håll ned matarhuset så långt som möjligt i kåpan. Håll kvar i det läget och vrid inställningsratten så att skruvbitsens spets sticker ut ca 6 mm från framsidan av djupanslaget.

Skruva i en provskruv. Om skruvhuvudet står över arbetsstyckets yta ska du vrida inställningsratten i riktning A; om skruvhuvudet är under ytan ska du vrida inställningsratten i riktning B.

► **Fig.6:** 1. Ca 6 mm 2. Djupanslag 3. Matarhus 4. Kåpa 5. Inställningsratt

## Avtryckarens funktion

**⚠ WARNING:** Innan du sätter i batterikassetten i maskinen ska du kontrollera att avtryckaren fungerar och återgår till läget "OFF" när du släpper den.

Starta verktyget genom att trycka på avtryckaren. Verktygets hastighet ökas genom att avtryckaren trycks in hårdare. Släpp avtryckaren för att stanna.

För kontinuerlig användning trycker du in avtryckaren, trycker in låsknappen och släpper sedan avtryckaren. För att stoppa verktyget från det låsta läget ska du dra ut avtryckaren helt och sedan släppa den.

► **Fig.7:** 1. Avtryckarknapp 2. Låsknapp

## Reverseringsknappens funktion

**⚠ FÖRSIKTIGT:** Kontrollera alltid rotationsriktningen före användning.

**⚠ FÖRSIKTIGT:** Använd endast reverseringsknappen när maskinen har stoppat helt. Maskinen kan skadas om du byter rotationsriktning medan den fortfarande roterar.

**⚠ FÖRSIKTIGT:** Ställ alltid in reverseringsspaken i neutralt läge när du inte använder maskinen.

Denna maskin har en reverseringsknapp för byte av rotationsriktning. Tryck in reverseringsspaken från sida A för medurs rotation och från sida B för moturs rotation. När reverseringsspaken är i neutralt läge fungerar inte avtryckaren.

► **Fig.8:** 1. Reverseringsknapp

## Tryckaktiveringsläge

I tryckaktiveringsläget roterar skruvbitsen bara om du applicerar tryck på ytan med djupanslaget, vilket gör att verktyget stänger av strömmen till motorn för att spara batteriström i tomgång.

Tryck lätt in avtryckaren, släpp den och tryck snabbt på knappen för lägesval för att välja tryckaktiveringsläget. Sedan tänds indikatorlampan på tryckaktiveringsläge-väljaren.

► **Fig.9:** 1. Lägesvalknapp 2. Indikatorlampan

**OBS:** Tryckaktiveringsläget inaktiveras automatiskt efter åtta timmar med avtryckaren spärrad och utan några utförda moment. Dra i avtryckaren helt för att släppa läsknappen och dra sedan i avtryckaren igen för att starta om verktyget.

## MONTERING

**⚠ FÖRSIKTIGT:** Se alltid till att maskinen är avstängd och batterikassetten borttagen innan du underhåller maskinen.

### Demontera och montera skruvbits

**⚠ FÖRSIKTIGT:** Var försiktig så att du inte vidrör skruvrens vassa kanter när du återmonterar komponenterna och tillbehören.

**⚠ FÖRSIKTIGT:** Hantera tillbehör och tillsatser varsamt. Håll alltid ordentligt i tillbehör och tillsatser under montering och demontering, för att undvika att tappa dem.

1. Tryck och håll in frigöringsknapparna på båda sidorna om kåpan, och dra sedan isär kåpan.

► **Fig.10:** 1. Frigöringsknappar 2. Kåpa

2. Demontera skruvbitsen genom att dra av skruvbitsen medan du trycker in och håller inne spindeln i växelhuset.

► **Fig.11:** 1. Skruvbits 2. Spindel 3. Växelhus

3. Montera en skruvbits genom att föra in den så långt som möjligt i spindelhålet och samtidigt trycka in och hålla inne spindeln i växelhuset. Släpp sedan spindeln för att fästa skruvbitsen.

4. Håll hårt in växelhuset och sätt tillbaka kåpan tills frigöringsknapparna på båda sidorna om kåpan låser fast.

## Montering av bandad skruv

Sätt in skruvbandet genom skruvguiden. Dra sedan bandet genom matarhuset tills första skruven når läget närmast skruvläget.

► **Fig.12:** 1. Skruvband 2. Skruvbandsanslag 3. Kåpa 4. Skruvladdningsanslag 5. Matarhus

**OBSERVERA:** Se till att sätta den första skruven i den andra raden intill skruvläget.

► **Fig.13:** 1. Första skruven 2. Skruvläget

## Demontering av skruvband

Dra skruvbandet uppåt och ut ur matarhuset för att demontera det.

► **Fig.14**

Du kan dra skruvbandet nedåt och ut ur matarhuset medan du trycker på reverseringsknappen på matarhuset.

► **Fig.15:** 1. Backknapp 2. Matarhus

## Monteringskrok

**⚠ FÖRSIKTIGT:** När kroken monteras skall alltid skruven dras åt ordentligt. Om inte kan kroken lossa från maskinen och leda till personskada.

► **Fig.16:** 1. Spår 2. Krok 3. Skruv

Haken kan användas när du vill hänga upp verktyget temporärt. Den kan monteras på båda sidorna av maskinen. För att montera kroken sätter du i den i ett spår i maskinhuset på endera sida och drar fast den med en skruv. Ta bort kroken genom att skruva loss skruven.

## ANVÄNDNING

### Användning

**OBSERVERA:** Kontrollera alltidnoga om det finns tecken på slitage på bitsen innan du använder maskinen. Byt ut en sliten skruvbits. I annat fall kan du få ett dåligt åtdragningsresultat.

**OBSERVERA:** Håll alltid verktyget vinkelrätt mot arbetsstyckets yta. Att vinkla maskinen kan skada skruvhuvudet och orsaka slitage på skruvbitsen. Det kan också leda till dålig åtdragning.

**OBSERVERA:** Håll alltid verktyget stadigt mot underlaget tills iskruvningen är klar. Infästningen kan i annat fall bli dålig.

**OBSERVERA:** Var försiktig så att du inte skruvar på en plats där det redan sitter en skruv.

**OBSERVERA:** Använd inte verktyget utan skruvar. Det skadar arbetsytan.

**OBSERVERA:** Spreja på bilvax på glydytorna om matarhuset inte fungerar friktionsfritt under skruvdragningen. Smörj aldrig matarhuset.

Tryck in avtryckaren för att starta maskinen. Håll maskinen vinkelrätt och stadigt upp mot arbetsytan. Skruven matas automatiskt fram till skruvläget och dras fast.

► **Fig.17**



## Användning i tryckaktiveringsläge

1. Dra i avtryckaren och släpp den. Tryck sedan snabbt in lägesvalknappen.

Indikatorlampan på tryckaktiveringsläge-väljaren tänds, och tryckaktiveringsläget aktiveras.

► **Fig.18:** 1. Lägesvalknapp 2. Indikatorlampa

2. Tryck in låsknappen samtidigt som du trycker in avtryckaren och släpp sedan avtryckaren.

► **Fig.19:** 1. Låsknapp 2. Avtryckare

**OBS:** För att minimera strömförbrukningen roterar inte motorn utan belastning medan du väljer tryckaktiveringsläge och spårar avtryckaren.

3. Håll verktyget vinkelrät mot arbetsytan och tryck verktyget framåt.

Skruvén kommer automatiskt att bli förd till skruvläget och skruvas in på full hastighet.

► **Fig.20**

## Skruvning i hörn

**⚠FÖRSIKTIGT:** Skruvdragning på ett mindre avstånd än 15 mm eller skruvdragning med djupanslaget i kontakt med väggen kan orsaka skador på skruvhuvudet och slitage påskruvbiten. Det kan också leda till att skruven får sämre hållfasthet eller att verktyget fungerar sämre.

Det här verktyget kan användas för skruvdragning så nära som 15 mm från en vägg, se figuren.

► **Fig.21:** 1. Vagg 2. Djupanslag 3. 15 mm

## Urdragning

**⚠FÖRSIKTIGT:** Kontrollera alltid rotationsriktningen före användning.

**⚠FÖRSIKTIGT:** Använd endast reverseringsknappen när maskinen har stoppat helt. Maskinen kan skadas om du byter rotationsriktning medan den fortfarande roterar.

Verktyget låter dig ändra riktning på skruvbitsrotationen, antingen mot höger (medurs) för att dra åt en skruv eller mot vänster (moturs) för att lossa en skruv.

1. Tryck ned reverseringsspaken från B-sidan för att rotera moturs.

► **Fig.22:** 1. Reverseringsspak

2. Tryck och håll in frigöringsknapparna på båda sidorna om kåpan, och dra sedan isär kåpan.

► **Fig.23:** 1. Frigöringsknappar 2. Kåpa

3. Placera skruvbitsens spets i huvudet på skruven som ska lossas.

4. Håll verktyget i ett fast grepp mot skruven och kläm avtryckaren för att starta.

► **Fig.24:** 1. Skruvbits 2. Skruvhuvud 3. Avtryckare

5. Sätt tillbaka kåpan på växelhuset tills den låser fast efter momentet.

## UNDERHÅLL

**⚠FÖRSIKTIGT:** Se alltid till att maskinen är avstängd och batterikassetten borttagen innan inspektion eller underhåll utförs.

**OBSERVERA:** Använd inte bensin, förtunningsmedel, alkohol eller liknande. Missfärgning, deformation eller sprickor kan uppstå.

För att upprätthålla produktens SÄKERHET och TILLFÖRLITLIGHET bör allt underhålls- och justeringsarbete utföras av ett auktoriserat Makita servicecenter och med reservdelar från Makita.

## Efter användning

Torka regelbundet av verktyget med en torr trasa eller duk som är lätt fuktad med tvålatten.

## VALFRIA TILLBEHÖR

**⚠FÖRSIKTIGT:** Följande tillbehör eller tillsatser rekommenderas för användning med den Makita-maskin som denna bruksanvisning avser. Om andra tillbehör eller tillsatser används kan det uppstå risk för personsador. Använd endast tillbehören eller tillsatserna för de syften de är avsedda för.

Kontakta ditt lokala Makita servicecenter om du behöver ytterligare information om dessa tillbehör.

- Bandad gipsskruv
- Phillipsbits
- Fyrkantig bits
- Pozidrivbits
- Matarhus
- Kåpa
- Makitas originalbatteri och -laddare

**OBS:** Några av tillbehören i listan kan vara inkluderade i maskinpaketet som standardtillbehör. De kan variera mellan olika länder.

## TEKNISKE DATA

Modell:	DFR452	DFR551
Skruebånd	ø3,5 mm x 20 mm – ø4,2 mm x 41 mm	ø3,5 mm x 25 mm – ø4,2 mm x 55 mm
Hastighet uten belastning (o/min)	0 - 6 000 min <sup>-1</sup>	
Total lengde	360 mm	396 mm
Nominell spenning	DC 18 V	
Nettovekt	1,9 - 2,2 kg	

- På grunn av vårt kontinuerlige forsknings- og utviklingsprogram kan spesifikasjonene som oppgis i dette dokumentet endres uten varsel.
- Spesifikasjonene kan variere fra land til land.
- Vekten kan variere avhengig av tilbehøret/tilbehørene, inkludert batteriet. Den letteste og tyngste kombinasjonen, i henhold til EPTA-prosedyre 01/2014, vises i tabellen.

### Passende batteri og lader

Batteriinnsett	BL1815N / BL1820B / BL1830B / BL1840B / BL1850B / BL1860B
Lader	DC18RC / DC18RD / DC18RE / DC18SD / DC18SE / DC18SF / DC18SH

- Noen av batteriene og laderne som er opplistet ovenfor er kanskje ikke tilgjengelige, avhengig av hvor du bor.

**⚠ ADVARSEL:** Bruk kun de batteriene og laderne som er opplistet ovenfor. Bruk av andre batterier og ladere kan føre til personskader og/eller brann.

### Riktig bruk

Maskinen er beregnet til skruing i tre, metall og plast.

### Støy

Typisk A-vektet lydtryknivå er bestemt i henhold til EN62841-2-2:

#### Modell DFR452

Lydtryknivå ( $L_{pA}$ ): 75 dB (A)  
Usikkerhet (K): 3 dB (A)

#### Modell DFR551

Lydtryknivå ( $L_{pA}$ ): 74 dB (A)  
Usikkerhet (K): 3 dB (A)

Støynivået under arbeid kan overskride 80 dB (A).

**MERK:** Den/de oppgitte verdien(e) for genererte vibrasjoner har blitt målt i henhold til standard testmetoder, og kan bli brukt til å sammenligne ett verktøy med et annet.

**MERK:** Den/de angitte verdien(e) for de genererte vibrasjonene kan også brukes til en foreløpig vurdering av eksponeringen.

**⚠ ADVARSEL:** Bruk hørselsvern.

**⚠ ADVARSEL:** De genererte vibrasjonene ved faktisk bruk av elektroverktøyet kan avvike fra den/de angitte vibrasjonsverdien(e), avhengig av hvordan verktøyet brukes.

**⚠ ADVARSEL:** Sørg for å identifisere vernetiltak for å beskytte operatøren, som er basert på et estimat av eksponeringen under de faktiske bruksforholdene (idet det tas hensyn til alle deler av driftssyklusen, dvs. hvor lenge verktøyet er slått av, hvor lenge det går på tomgang og hvor lenge startbryteren faktisk holdes trykket).

### Vibrasjoner

Den totale vibrasjonsverdien (triaksial vektorsum) bestemt i henhold EN62841-2-2:

#### Modell DFR452

Arbeidsmodus: skrutrekking uten slag  
Genererte vibrasjoner ( $a_{h}$ ): 2,5 m/s<sup>2</sup> eller mindre  
Usikkerhet (K): 1,5 m/s<sup>2</sup>

#### Modell DFR551

Arbeidsmodus: skrutrekking uten slag  
Genererte vibrasjoner ( $a_{h}$ ): 2,5 m/s<sup>2</sup> eller mindre  
Usikkerhet (K): 1,5 m/s<sup>2</sup>

**MERK:** Den/de oppgitte verdien(e) for totalt genererte vibrasjoner har blitt målt i henhold til standard testmetoder, og kan bli brukt til å sammenligne ett verktøy med et annet.

**MERK:** Den/de angitte verdien(e) for totalt genererte vibrasjoner kan også brukes til en foreløpig vurdering av eksponeringen.

**⚠ ADVARSEL:** De genererte vibrasjonene ved faktisk bruk av elektroverktøyet kan avvike fra den/de angitte vibrasjonsverdien(e), avhengig av hvordan verktøyet brukes og spesielt i forhold til arbeidsstykket som blir behandlet.

**⚠ ADVARSEL:** Sørg for å identifisere vernetiltak for å beskytte operatøren, som er basert på et estimat av eksponeringen under de faktiske bruksforholdene (idet det tas hensyn til alle deler av driftssyklusen, dvs. hvor lenge verktøyet er slått av, hvor lenge det går på tomgang og hvor lenge startbryteren faktisk holdes trykket).

## EFs samsvarserklæring

Gjelder kun for land i Europa

EFs samsvarserklæring er lagt til som vedlegg A i denne bruksanvisningen.

## SIKKERHETSADVARSEL

### Generelle advarsler angående sikkerhet for elektroverktøy

**⚠ ADVARSEL:** Les alle sikkerhetsadvarsler, instruksjoner, illustrasjoner og spesifikasjoner som følger med dette elektroverktøyet. Hvis ikke alle instruksjonene nedenfor følges, kan det forekomme elektrisk støt, brann og/eller alvorlig skade.

### Oppbevar alle advarsler og instruksjoner for senere bruk.

Uttrykket «elektrisk verktøy» i advarslene refererer både til elektriske verktøy (med ledning) tilkoblet strømnettet, og batteridrevne verktøy (uten ledning).

### Sikkerhetsanvisninger for trådløs skrutrekker

1. Hold maskinen i de isolerte gripeflatene der festemidlet kan komme i kontakt med skjulte ledninger under arbeidet. Hvis skruer eller bolter kommer i kontakt med en strømførende ledning, kan metalldelene på det elektriske verktøyet bli strømførende og føre til at brukeren får støt.
2. Pass på at du alltid har godt fotfeste. Forviss deg om at ingen står under deg når du jobber høyt over bakken.
3. Hold godt fast i verktøyet.
4. Hold hendene unna roterende deler.
5. Ikke berør bitset eller arbeidsstykket umiddelbart etter bruk. Disse vil da være ekstremt varme, og du kan få brannskår.
6. Arbeidsstykker må alltid festes med en skruestikke eller lignende.
7. Pass på at det ikke finnes noen elektriske kabler, vannrør, gassrør, osv. som kan utgjøre en fare hvis de blir skadet av verktøyet.

### TA VARE PÅ DISSE INSTRUKSENE.

**⚠ ADVARSEL:** IKKE LA hensynet til hva som er "behagelig" eller det faktum at du kjenner produktet godt (etter mange gangers bruk) gjøre deg mindre oppmerksom på sikkerhetsreglene for bruken av det aktuelle produktet.

Ved MISBRUK eller hvis ikke sikkerhetsreglene i denne bruksanvisningen følges, kan det oppstå alvorlig personskade.

## Viktige sikkerhetsanvisninger for batteriinnsetts

1. Før du begynner å bruke batteriet, må du lese alle anvisninger og forsiktighetsregler på (1) batteriladeren, (2) batteriet og (3) det produktet batteriet skal brukes i.
2. Ikke demonter eller tukle batteriet. Det kan føre til brann, overoppheting eller eksplosjon.
3. Hvis driftstiden er blitt vesentlig kortere, må du omgående slutte å bruke maskinen. Hvis ikke kan resultatet bli overoppheting, mulige forbrenninger eller til og med en eksplosjon.
4. Hvis du får elektrolytt i øynene, må du skylle dem med store mengder rennende vann og oppsøke lege med én gang. Denne typen uhell kan føre til varig blindhet.
5. Ikke kortslutt batteriet:
  - (1) De kan være ekstremt varme og du kan brenne deg.
  - (2) Ikke lagre batteriet i samme beholder som andre metallgjenstander, som for eksempel spiker, mynter osv.
  - (3) Ikke la batteriet komme i kontakt med vann eller regn.

En kortslutning av batteriet kan føre til et kraftig strømstøt, overoppheting, mulige forbrenninger og til og med til at batteriet går i stykker.

6. Ikke oppbevar og bruk verktøyet og batteriet på steder hvor temperaturen kan komme opp i eller overskride 50 °C.
7. Ikke sett fyr på batteriet, ikke engang om det er sterkt skadet eller helt utslitt. Batteriet kan eksplodere hvis det begynner å brenne.
8. Du må ikke spikre, skjære, klemme, kaste eller miste batteriet, og heller ikke slå en hard gjenstand mot batteriet. En slik oppførsel kan føre til brann, overoppheting eller eksplosjon.
9. Ikke bruk batterier som er skadet.
10. Lithium-ion-batteriene som medfølger er gjenstand for krav om spesialavfall. For kommersiell transport, f.eks av tredjeparter eller speditører, må spesielle krav om pakking og merking følges. For varen blir sendt, må du forhøre deg med en ekspert på farlig materiale. Ta også hensyn til muligheten for mer detaljerte nasjonale bestemmelser. Bruk teip eller maskeringsteip for å skjule åpne kontakter og pakk inn batteriet på en slik måte at den ikke kan bevege seg rundt i emballasjen.
11. Når du kasserer batteriinnsettsen, må du ta den ut av verktøyet og avhende den på et sikkert sted. Følg lokale bestemmelser for avhending av batterier.
12. Bruk batteriene kun med produkter spesifisert av Makita. Montere batteriene i produkter som ikke er konforme kan føre til brann, overoppheting eller elektrolyttlekkasje.

13. Hvis verktøyet ikke skal brukes over en lengre periode, må batteriet tas ut av verktøyet.
14. Under og etter bruk kan batteriet bli varmt og før til brannskader. Vær forsiktig med håndteringen av varme batterier.
15. Ikke berører terminalen på verktøyet rett etter bruk, da den kan bli varm og forårsake brannskader.
16. Ikke la spon, støv eller jord sette seg fast i terminalene, hullene og sporene i batteriet. Det kan føre til dårlig ytelse eller at verktøyet eller batteriet slutter å fungere.
17. Med mindre verktøyet støtter bruk nær en høyspent strømlinje, skal ikke batteriet brukes nær en høyspent strømlinje. Det kan føre til en funksjonsfeil eller at verktøyet eller batteriet slutter å fungere.
18. Oppbevar batteriet utilgjengelig for barn.

## TA VARE PÅ DISSE INSTRUKSENE.

**⚠FORSIKTIG:** Bruk kun originale Makita-batterier. Bruk av batterier som har endret seg, eller som ikke er originale Makita-batterier, kan føre til at batteriet sprekker og forårsaker brann, personskader og andre skader. Det vil også ugyldiggjøre garantien for Makita-verktøyet og -laderen.

## Tips for å opprettholde maksimal batterilevetid

1. Lad batteriinnsetsen før den er helt utladet. Stopp alltid driften av verktøyet og lad batteriinnsetsen når du merker at effekten reduseres.
2. Lad aldri en batteriinnsets som er fulladet. Overopplading forkorter batteriets levetid.
3. Lad batteriet i romtemperatur ved 10 °C - 40 °C. Et varmt batteri må kjøles ned før lading.
4. Når batteriet ikke er bruk, skal det tas ut av verktøyet eller laderen.
5. Lad batteriet hvis det ikke har vært brukt på en lang stund (over seks måneder).

## FUNKSJONS BESKRIVELSE

**⚠FORSIKTIG:** Forviss deg alltid om at maskinen er slått av og batteriet tatt ut før du justerer maskinen eller kontrollerer dens mekaniske funksjoner.

### Sette inn eller ta ut batteri

**⚠FORSIKTIG:** Slå alltid av verktøyet før du setter inn eller fjerner batteriet.

**⚠FORSIKTIG:** Hold verktøyet og batteripatronen i et fast grep når du monterer eller fjerner batteripatronen. Hvis du ikke holder verktøyet og batteripatronen godt fast, kan du miste grepet, og dette kan føre til skader på verktøyet og batteripatronen samt personskader.

► Fig. 1: 1. Rød indikator 2. Knapp 3. Batteriinnsets

For å ta ut batteriet må du skyve på knappen foran på batteriet og trekke det ut.

Når du skal sette inn batteriet, må du plassere tungen på batteriet på linje med sporet i huset og skyve batteriet på plass. Skyv det helt inn til det går i inngrep med et lite klikk. Hvis du kan se den røde indikatoren som vist i figuren, er det ikke helt låst.

**⚠FORSIKTIG:** Batteriet må alltid settes helt inn, så langt at den røde indikatoren ikke lenger er synlig. Hvis dette ikke gjøres, kan batteriet falle ut av verktøyet og skade deg eller andre som oppholder seg i nærheten.

**⚠FORSIKTIG:** Ikke bruk makt når du setter i batteriet. Hvis batteriet ikke glir lett inn, er det fordi det ikke settes inn på riktig måte.

### Batterivernssystem for verktøy/batteri

Verktøyet er utstyrt med et batterivernssystem for verktøy/batteri. Dette systemet kutter automatisk strømmen til motoren for å forlenge verktøyets og batteriets levetid. Verktøyet stopper automatisk under drift hvis verktøyet eller batteriet utsettes for en av følgende tilstander:

#### Overlastsikring

Når verktøyet/batteriet brukes på en måte som gjør at det trekker unormalt mye strøm, vil verktøyet stanse automatisk. Hvis dette skjer, må du slå av verktøyet og avslutte bruken som forårsaket at verktøyet ble overbelastet. Slå deretter verktøyet på for å starte det igjen.

#### Overopphetingsvern

Når verktøyet/batteriet er overopphetet, stopper verktøyet automatisk. I dette tilfellet må du la verktøyet/batteriet avkjøles før du starter verktøyet på nytt.

#### Overutladingsvern

Når det blir batterikapasiteten er utilstrekkelig, stopper verktøyet automatisk. I så fall fjerner du batteriet fra verktøyet og lader det.

## Varselindikator

Indikatorlampen på valgbryteren for trykkjøringsmodus utløser et varsel med blinkende røde lys når verktøyet fungerer under følgende driftsforhold.

► **Fig.2:** 1. Indikatorlampe

Lampestatus	Arsaker	Tiltak
Rask blinking (intervaller på ca. en tredjedels sekund)	Batteriet er i ferd med å bli utladet	Lad batteriet så snart som mulig.
Forsinket blinking (intervaller på ca. et sekund)	Overopphetet	La verktøyet kjøle seg ned før du slår det på igjen.

**MERK:** Et varsel om overutlading kan avvige avhengig av batteristatus og driftsforhold.

## Indikere gjenværende batterikapasitet

**Kun for batterier med indikatoren**

► **Fig.3:** 1. Indikatorlamper 2. Kontrollknapp

Trykk på sjekk-knappen på batteriet for vise gjenværende batterikapasitet. Indikatorlampene lyser i et par sekunder.

Indikatorlamper			Gjenværende batterinivå
Tent	Av	Bliker	
■	□	▧	
■ ■ ■ ■			75 % til 100 %
■ ■ ■ □			50 % til 75 %
■ ■ □ □			25 % til 50 %
■ □ □ □			0 % til 25 %
▧ □ □ □			Lad batteriet.
■ ■ □ □			Batteriet kan ha en feil.
□ □ ■ ■			

**MERK:** Det angitte nivået kan avvike noe fra den faktiske kapasiteten alt etter bruksforholdene og den omgivende temperaturen.

**MERK:** Den første (helt til venstre) indikatorlampen vil blinke når batterivernsystemet fungerer.

## Innstilling for ønskede skruelengder

**For modell DFR452**

Verktøyet har 4 skruelengdeinnstillinger med klikklås. Skyv stopperfoten ut og inn samtidig som du trykker inn spakene opp på stopperfoten, slik at tallet for ønsket skruelengde (angitt på etiketten) vises i avlesningsvinduet. I tabellen som følger finner du tallene som er tildelt skruelengdene du ønsker.

► **Fig.4:** 1. Stopperfot 2. Spak 3. Plate 4. Hus

Tall angitt på etiketten	Skruelengdeintervaller
20	20 mm (3/4")
25	25 mm – 28 mm (1" – 1-1/8")
32	28 mm – 35 mm (1-1/8" – 1-3/8")
41	35 mm – 41 mm (1-3/8" – 1-5/8")

**For modell DFR551**

Verktøyet har 7 skruelengdeinnstillinger med klikklås. Skyv stopperfoten ut og inn samtidig som du trykker inn spakene opp på stopperfoten, slik at tallet for ønsket skruelengde (angitt på etiketten) vises i avlesningsvinduet. I tabellen som følger finner du tallene som er tildelt skruelengdene du ønsker.

► **Fig.5:** 1. Stopperfot 2. Spak 3. Plate 4. Hus

Tall angitt på etiketten	Skruelengdeintervaller
25	25 mm (1")
30	25 mm – 30 mm (1" – 1-3/16")
35	30 mm – 35 mm (1-3/16" – 1-3/8")
40	35 mm – 40 mm (1-3/8" – 1-9/16")
45	40 mm – 45 mm (1-9/16" – 1-3/4")
50	45 mm – 50 mm (1-3/4" – 2")
55	50 mm – 55 mm (2" – 2-3/16")

## Justere skrudbydene

Trykk på frontflaten på stopperfoten, og hold materboksen så langt nede i huset som den går. Samtidig som du holder den i den stillingen, dreier du justeringshjulet slik at skrutrekkerbordet kommer ca. 6 mm ut fra frontflaten på stopperfoten.

Skrue inn en prøveskrue. Hvis skruehodet står opp over overflaten på arbeidsstykket, må du dreie justeringshjulet i A-retningen; hvis skruehodet står under overflaten, må du dreie justeringshjulet i B-retningen.

► **Fig.6:** 1. Ca. 6 mm 2. Stopperfot 3. Materboks 4. Hus 5. Justeringshjul

## Bryterfunksjon

**⚠ ADVARSEL:** Før du setter batteriet inn i maskinen, må du alltid kontrollere at startbryteren aktiverer maskinen på riktig måte og går tilbake til «AV»-stilling når den slippes.

Dra i startbryteren for å starte verktøyet. Når du trykker hardere på startbryteren, økes hastigheten på verktøyet. Slipp startbryteren for å stanse verktøyet. Når verktøyet skal brukes kontinuerlig, må du trekke i startbryteren, trykke inn låseknappen og deretter slippe opp startbryteren. Hvis du vil stoppe verktøyet mens det er i låst stilling, må du trekke startbryteren helt ut og så slippe den igjen.

► **Fig.7:** 1. Startbryter 2. Låseknapp

## Reverseringsfunksjon

**⚠️FORSIKTIG:** Før arbeidet begynner, må du alltid kontrollere rotasjonsretningen.

**⚠️FORSIKTIG:** Bruk reversbryteren bare etter at verktøyet har stoppet helt. Hvis du endrer rotasjonsretningen før verktøyet har stoppet, kan det bli ødelagt.

**⚠️FORSIKTIG:** Når du ikke skal bruke maskinen lenger, må du alltid sette reversbryteren i nøytral stilling.

Dette verktøyet har en reversbryter som kan brukes til å endre rotasjonsretningen. Trykk inn reversbryteren fra «A»-siden for å velge rotasjon med klokken, eller fra «B»-siden for å velge rotasjon mot klokken.

Når reversbryteren er i nøytral stilling, kan ikke startbryteren trykkes inn.

► **Fig.8:** 1. Revershendel

## Trykkjøringsmodus

I trykkjøringsmodus roterer skrutrekkerboret kun hvis det legges trykk på arbeidsoverflaten med stopperfoten, slik at verktøyet kan slå av strømmen til motoren for å spare batteristrøm ved tomgang.

Du kan velge trykkjøringsmodus ved å trekke forsiktig i startbryteren, slippe den opp og deretter trykke raskt på modusvalgknappen. Indikatorlampe på valgbryteren for trykkjøringsmodus vil da tennes.

► **Fig.9:** 1. Modusvalgknapp 2. Indikatorlampe

**MERK:** Trykkjøringsmodus vil bli deaktivert automatisk etter åtte timer når startbryteren låst på og bryteren ikke er brukt.

Start verktøyet på nytt ved å trekke startbryteren helt tilbake for å frigjøre låseknappen, og trekk deretter i startbryteren igjen.

## MONTERING

**⚠️FORSIKTIG:** Forviss deg alltid om at maskinen er slått av og batteriet tatt ut før du utfører noe arbeid på maskinen.

## Demontere og montere skrutrekkerboret

**⚠️FORSIKTIG:** Unngå å berøre de skarpe kantene på skuer når du setter sammen komponentene og tilleggsutstyret.

**⚠️FORSIKTIG:** Vær forsiktig når du håndterer tilbehør og tilleggsutstyr. Sørg alltid for å holde et godt tak tilbehøret og tilleggsutstyret under montering og demontering for å unngå å de faller eller gliir ut av hendene dine.

1. Trykk på og hold inne utløserknappene på hver side av huset, og trekk deretter huset fra hverandre.

► **Fig.10:** 1. Utløserknapper 2. Hus

2. Demonter skrutrekkerboret ved å trekke det av samtidig som du skyver og holder spindelen inn i girhuset.

► **Fig.11:** 1. Skrutrekkerbor 2. Spindel 3. Girhus

3. Monter et skrutrekkerbor ved å plassere det så langt inn i spindelhullet som mulig, samtidig som du skyver og holder spindelen inn i girhuset. Slipp deretter spindelen for å låse skrutrekkerboret på plass.

4. Sett huset tilbake på girhuset samtidig som du holder et godt tak i det til utløserknappene på begge sider av huset låses på plass.

## Montere skruerbånd

Før skruerbåndet inn gjennom skruerøringen. Før det deretter inn gjennom matemekanismen til den første skruen er ved siden av innskruingsposisjonen.

► **Fig.12:** 1. Skruerbånd 2. Skruerbåndføring 3. Hus 4. Skruelasteføring 5. Materboks

**OBS:** Sørg for å sette den første skruen i den andre raden ved siden av innskruingsposisjonen.

► **Fig.13:** 1. Første skruer 2. Innskruingsposisjon

## Fjerne skruerbånd

Demonter skruerbåndet ved å trekke det oppover og ut av materboksen.

► **Fig.14**

Skruerbåndet kan trekkes nedover og ut av materboksen mens du trykker på reversknappen på materboksen.

► **Fig.15:** 1. Reversknapp 2. Materboks

## Monteringskrok

**⚠️FORSIKTIG:** Når du monterer kroken, må du stramme skruen godt. Hvis ikke kan kroken løsne fra verktøyet og forårsake personskaade.

► **Fig.16:** 1. Spor 2. Krok 3. Skruer

Kroken er praktisk for å henge opp verktøyet med for kortere tid. Den kan monteres på begge sider av verktøyet. For å montere kroken, må du sette den inn i sporet på en av sidene av verktøyhuset og feste den med en skruer. Ta den av igjen ved å løsne skruen.

## BRUK

### Skrutrekkerfunksjon

**OBS:** Før innskruing må du alltid kontrollere grundig om skrutrekkerboret er slitt. Bytt slitte skrutrekkerbor, da det ellers kan forekomme at skruene ikke festes godt nok.

**OBS:** Hold alltid verktøyet vinkelrett mot arbeidsoverflaten. Hvis du holder verktøyet i en spissere vinkel, kan skruhodene bli ødelagt og skrutrekkerboret bli slitt. Dette kan også føre til at skruene ikke festes skikkelig.

**OBS:** Hold alltid verktøyet godt mot overflaten på arbeidsstykket til skruoperasjonen er ferdig. Hvis dette ikke gjøres, kan skruene bli dårlig festet.

**OBS:** Vær forsiktig så du ikke forsøker å skru en ny skruer inn i en som allerede er skrudd inn.

**OBS:** Ikke bruk verktøyet uten skruer. Dette vil ødelegge arbeidsoverflaten.

**OBS:** Hvis materboksen begynner å bli treg, kan bilvoks (av spraytypen) brukes på glideflatene. Bruk aldri smøremidler.

Slå på maskinen ved å trykke på startbryteren. Hold maskinen vinkelrett og fast mot arbeidsoverflaten. Skruen føres automatisk frem til innskruingsposisjonen og skrus inn i emnet.

► Fig.17

## Innskruing i trykkjøringsmodus

1. Trekk forsiktig i startbryteren, og slipp den. Trykk deretter raskt påodusvalgknappen.

Indikatorlampen på valgbyteren for trykkjøringsmodus tennes, og trykkjøringsmodus blir aktivert.

► Fig.18: 1. Modusvalgknapp 2. Indikatorlampe

2. Trykk inn låseknappen mens du trekker i startbryteren, og så slipper du startbryteren.

► Fig.19: 1. Låseknapp 2. Startbryter

**MERK:** Når du velger trykkjøringsmodus og låser startbryteren på, roterer ikke motoren uten belastning for å minimere strømforbruket.

3. Hold verktøyet i rett vinkel mot arbeidsoverflaten, og skyv det forover.

Skruen føres automatisk i posisjon og skrues inn ved full hastighet.

► Fig.20

## Skrutrekkefunksjon i hjørner

**⚠FORSIKTIG:** Innskruing i en posisjon nærmere enn 15 mm fra veggen eller innskruing med stopperfoten på veggen kan ødelegge skruhodene og forårsake slitasje på skrutrekkerboret. Dette kan også føre til dårlig skruefeste og skader på verktøyet.

Dette verktøyet kan brukes til innskruing i en posisjon som befinner seg 15 mm vekk fra veggen, som vist i figuren.

► Fig.21: 1. Vegg 2. Stopperfot 3. 15 mm

## Løsning

**⚠FORSIKTIG:** Før arbeidet begynner, må du alltid kontrollere rotasjonsretningen.

**⚠FORSIKTIG:** Bruk reversbryteren bare etter at verktøyet har stoppet helt. Hvis du endrer rotasjonsretningen før verktøyet har stoppet, kan det bli ødelagt.

Det er enkelt å endre retning på skrutrekkerborets rotasjon på verktøyet, enten mot høyre (med klokken) for å trekke til en skrue eller mot venstre (mot klokken) for å løse en skrue.

1. Trykk inn reverseringsspaken fra B-siden for rotasjon mot klokken.

► Fig.22: 1. Reverseringsspak

2. Trykk på og hold inne utløserknappene på hver side av huset, og trekk deretter huset fra hverandre.

► Fig.23: 1. Utløserknapper 2. Hus

3. Plasser spissen på skrutrekkerboret i hodet på skruen som skal løses.

4. Hold verktøyet bestemt mot skruen, og trykk på startbryteren for å starte.

► Fig.24: 1. Skrutrekkerbor 2. Skruhode 3. Startbryter

5. Sett huset tilbake på girhuset til det låses på plass etter at handlingen er utført.

## VEDLIKEHOLD

**⚠FORSIKTIG:** Forviss deg alltid om at maskinen er slått av og batteriet tatt ut før du foretar inspeksjon eller vedlikehold.

**OBS:** Aldri bruk gasolin, bensin, tynner alkohol eller lignende. Det kan føre til misfarging, deformering eller sprekkdannelse.

For å opprettholde produktets SIKKERHET og PÅLITELIGHET, må reparasjoner, vedlikehold og justeringer utføres av autoriserte Makita servicesentre eller fabrikkservicesentre, og det må alltid brukes reservedeler fra Makita.

## Etter bruk

Tørk med jevne mellomrom over verktøyet med en tørr klut eller en klut som er lett fuktet med såpevann.

## VALGFRITT TILBEHØR

**⚠FORSIKTIG:** Det anbefales at du bruker dette tilbehøret eller verktøyet sammen med den Makita-maskinen som er spesifisert i denne håndboken. Bruk av annet tilbehør eller verktøy kan forårsake personskader. Tilbehør og verktøy må kun brukes til det formålet det er beregnet på.

Ta kontakt med ditt lokale Makita-servicesenter hvis du trenger mer informasjon om dette tilbehøret.

- Skrubebånd for tørrvegg
- Phillips-bits
- Firkantbits
- Pozidriv-bits
- Materboks
- Hus
- Makita originalbatteri og lader

**MERK:** Enkelte elementer i listen kan være inkludert som standardtilbehør i verktøypakken. Elementene kan variere fra land til land.

## TEKNISET TIEDOT

Malli:	DFR452	DFR551
Ruuvivyo	ø3,5 mm x 20 mm – ø4,2 mm x 41 mm	ø3,5 mm x 25 mm – ø4,2 mm x 55 mm
Kuormittamaton kierrosnopeus (RPM)	0 – 6 000 min <sup>-1</sup>	
Kokonaispituus	360 mm	396 mm
Nimellisjännite	18 V DC	
Nettopaino	1,9 – 2,2 kg	

- Jatkuvasta tutkimus- ja kehitystyöstämme johtuen esitetyt tekniset tiedot saattavat muuttua ilman erillistä ilmoitusta.
- Tekniset tiedot voivat vaihdella maittain.
- Paino voi olla erilainen lisävarusteista sekä akusta johtuen. EPTA-menettelytavan 01/2014 mukaisesti, taulukossa on kuvattu kevyin ja painavin laiteyhdistelmä.

### Käytettävä akkupaketti ja laturi

Akkupaketti	BL1815N / BL1820B / BL1830B / BL1840B / BL1850B / BL1860B
Laturi	DC18RC / DC18RD / DC18RE <sup>2</sup> / DC18SD / DC18SE / DC18SF / DC18SH

- Tiettyjä yläpuolella kuvattuja akkuja ja latureita ei ehkä ole saatavana asuinalueestasi johtuen.

**VAROITUS:** Käytä vain edellä eriteltyjä akkupaketteja ja latureita. Muiden akkupakettien ja laturien käyttäminen voi aiheuttaa loukkaantumisen ja/tai tulipalon.

### Käyttötarkoitus

Työkalu on tarkoitettu ruuvien kiinnittämiseen puuhun, metalliin ja muoviin.

### Melutaso

Tyypillinen A-painotettu melutaso määräytyy standardin EN62841-2-2 mukaan:

#### Malli DFR452

Äänenpainetaso ( $L_{pA}$ ): 75 dB (A)  
Virhemarginaali (K): 3 dB (A)

#### Malli DFR551

Äänenpainetaso ( $L_{pA}$ ): 74 dB (A)  
Virhemarginaali (K): 3 dB (A)

Työskentelyn aikana melutaso voi ylittää 80 dB (A).

**HUOMAA:** Ilmoitetut melutasoarvot on mitattu standarditestausmenetelmän mukaisesti ja niiden avulla voidaan vertailla työkaluja keskenään.

**HUOMAA:** Ilmoitettuja melutasoarvoja voidaan käyttää myös altistumisen alustavaan arviointiin.

**VAROITUS:** Käytä kuulosuojaimia.

**VAROITUS:** Sähkötyökalun käytön aikana mitattu melutasoarvo voi poiketa ilmoitetuista arvoista laitteen käytötvän ja erityisesti käsiteltävän työkappaleen mukaan.

**VAROITUS:** Selvitä käyttäjän suojaamiseksi tarvittavat varoimet todellisissa käyttöolosuhteissa tapahtuvan arvioidun altistumisen mukaisesti (ottaen huomioon käyttöjakso kokonaisuudessaan, myös jaksot, joiden aikana laite on sammutettuna tai käy tyhjäkäynnillä).

### Tärinä

Kokonaistärinä (kolmen akselin vektorien summa) määräytyy standardin EN62841-2-2 mukaan:

#### Malli DFR452

Työtila: ruuvaus ilman vasarointia  
Tärinäpäästö ( $a_{h1}$ ): 2,5 m/s<sup>2</sup> tai alhaisempi  
Virhemarginaali (K): 1,5 m/s<sup>2</sup>

#### Malli DFR551

Työtila: ruuvaus ilman vasarointia  
Tärinäpäästö ( $a_{h1}$ ): 2,5 m/s<sup>2</sup> tai alhaisempi  
Virhemarginaali (K): 1,5 m/s<sup>2</sup>

**HUOMAA:** Ilmoitetut kokonaistärinäarvot on mitattu standarditestausmenetelmän mukaisesti ja niiden avulla voidaan vertailla työkaluja keskenään.

**HUOMAA:** Ilmoitettuja kokonaistärinäarvoja voidaan käyttää myös altistumisen alustavaan arviointiin.

**VAROITUS:** Sähkötyökalun käytön aikana mitattu todellinen tärinäpäästöarvo voi poiketa ilmoitetuista arvoista laitteen käytötvän ja erityisesti käsiteltävän työkappaleen mukaan.

**VAROITUS:** Selvitä käyttäjän suojaamiseksi tarvittavat varoimet todellisissa käyttöolosuhteissa tapahtuvan arvioidun altistumisen mukaisesti (ottaen huomioon käyttöjakso kokonaisuudessaan, myös jaksot, joiden aikana laite on sammutettuna tai käy tyhjäkäynnillä).

### EY-vaatimustenmukaisuusvakuutus

#### Koskee vain Euroopan maita

EY-vaatimustenmukaisuusvakuutus on liitetty tähän käyttöoppaaseen.



# TURVAVAROITUKSET

## Sähkötyökalujen käyttöä koskevat yleiset varoitukset

**VAROITUS:** Tutustu kaikkiin tämän sähkötyökalun mukana toimitettuihin varoituksiin, ohjeisiin, kuviin ja tekniisiin tietoihin. Seuraavassa lueteltujen ohjeiden noudattamatta jättäminen saattaa johtaa sähköiskuun, tulipaloon tai vakavaan vammautumiseen.

## Säilytä varoitukset ja ohjeet tulevaa käyttöä varten.

Varoituksissa käytettävällä termillä "sähkötyökalu" tarkoitetaan joko verkkovirtaa käyttävää (johdollista) työkalua tai akkukäyttöistä (johdotonta) työkalua.

## Akkukäyttöisen ruuvinvääntimen turvallisuusohjeet

1. Pitele sähkötyökalua sen eristetyistä tartuntapinnoista silloin, kun on mahdollista, että kiinnitystarvike saattaa osua piilossa oleviin johdoin. Kiinnitystarvikkeen osuminen jännitteeseen johtoon voi siirtää jännitteen työkalun sähköä johtaviin metalliosiin ja aiheuttaa käyttäjälle sähköiskun.
2. Seiso aina tukevassa asennossa. Varmista korkealla työskennellessäsi, ettei ketään ole alapuolella.
3. Ota työkalusta luja ote.
4. Pidä kädet loitolla pyörivistä osista.
5. Älä kosketa kärkeä tai työkalupäätä välittömästi käytön jälkeen, sillä ne voivat olla erittäin kuumia ja aiheuttaa palovammoja.
6. Kiinnitä työkalupäleet aina viilapenkkiin tai vastaavaan pidikkeeseen.
7. Varmista, etteivät työkalun käytön seurauksena mahdollisesti vaurioituvat sähköjohdot, vesiputket, kaasuputket jne. voi aiheuttaa vaaratilanteita.

## SÄILYTÄ NÄMÄ OHJEET.

**VAROITUS:** ÄLÄ anna työkalun helppokäyttöisyyden (toistuvan käytön aikaansaama) johtaa sinua väärään turvallisuudentunteeseen niin, että laiminlyöt työkalun turvaohjeiden noudattamisen. VÄÄRINKÄYTTÖ tai tässä käyttöohjeessa ilmoitettujen turvamääräysten laiminlyönti voi aiheuttaa vakavia henkilövahinkoja.

## Akkupakettia koskevia tärkeitä turvaohjeita

1. Ennen akun käyttöönottoa tutustu kaikkiin laturissa (1), akussa (2) ja akkukäyttöisessä tuotteessa (3) oleviin varoitusteksteihin.
2. Älä pura tai peukaloi imuria akkupakettia. Se voi johtaa tulipaloon, ylikuumentumiseen tai räjähdykseen.
3. Jos akun toiminta-aika lyhenee merkittävästi, lopeta akun käyttö. Seurauksena voi olla ylikuumentuminen, palovammoja tai jopa räjähdys.

4. Jos akkuneustettua pääsee silmiin, huuhtele puhtaalla vedellä ja hakeudu välittömästi lääkärin hoitoon. Akkuneuste voi aiheuttaa näön menetyksen.
5. Älä oikosulje akkua.
  - (1) Älä koske akun napoihin millään sähköä johtavalla materiaalilla.
  - (2) Vältä akun oikosulkemista äläkä säilytä akkua yhdessä muiden metalliesineiden, kuten naulojen, kolikoiden ja niin edelleen kanssa.
  - (3) Älä aseta akkua alttiiksi vedelle tai sateelle.Oikosulku voi aiheuttaa virtapiikin, ylikuumentumista, palovammoja tai laitteen rikkoontumisen.
6. Älä säilytä ja käytä työkalua ja akkupakettia paikassa, jossa lämpötila voi nousta 50 °C:een (122 °F) tai korkeammaksi.
7. Älä hävitä akkua polttamalla, vaikka se olisi pahoin vaurioitunut tai täysin loppuun kulunut. Avotuli voi aiheuttaa akun räjähtämisen.
8. Älä nauvaa, leikkaa, purista, heitä tai pudota akkupakettia tai iske sitä kovia esineitä vasten. Tällaiset toimet voivat johtaa tulipaloon, ylikuumentumiseen tai räjähdykseen.
9. Älä käytä viallista akkua.
10. Sisältyviä litium-ioni-akkuja koskevat vaarallisten aineiden lainsäädännön vaatimukset. Esimerkiksi kolmansien osapuolten huollintaliikkeiden tulee kaupallisissa kuljetuksissa noudattaa pakkaamista ja merkintöjä koskevia erityisvaatimuksia. Lähetettävän tuotteen valmistelu edellyttää vaarallisten aineiden asiantuntijan neuvontaa. Huomioi myös mahdollisesti yksityiskohtaisemmat kansalliset määräykset Akun avoimet liittimet tulee suojata teipillä tai suojuksella ja pakkaaminen tulee tehdä niin, ettei akku voi liikkua pakkauksessa.
11. Kun akkupaketti on hävitettävä, poista se laitteesta ja hävitä se turvallisesti. Hävitä akku paikallisten määräysten mukaisesti.
12. Käytä akkuja vain Makitan ilmoittamien tuotteiden kanssa. Akkujen asentaminen yhteensopimattomiin tuotteisiin voi aiheuttaa tulipalon, liiallisen ylikuumentumisen, räjähdyksen tai akkuneustevuotoja.
13. Jos laitetta ei käytetä pitkään aikaan, akku on poistettava laitteesta.
14. Akkupaketin lämpötila voi käytön aikana ja sen jälkeen nousta niin kuumaksi, että se voi aiheuttaa palovammoja tai lieviä palovammoja. Käsittele kuumia akkupaketteja huolellisesti.
15. Älä kosketa työkalun liitintä välittömästi käytön jälkeen, sillä se voi olla riittävän kuuma aiheuttamaan palovammoja.
16. Älä päästä lastuja, pölyä tai maata akkupaketin liittimiin, aukkoihin ja uriin. Se voi heikentää työkalun tai akkupaketin suorituskykyä tai johtaa niiden rikkoontumiseen.
17. Ellei työkalu tue käyttöä korkeajännitelinjojen lähellä, älä käytä akkupakettia korkeajännitelinjojen lähellä. Se voi johtaa työkalun tai akkupaketin toimintahäiriöön tai rikkoontumiseen.
18. Pidä akku pois lasten ulottuvilta.

## SÄILYTÄ NÄMÄ OHJEET.

**▲HUOMIO:** Käytä vain alkuperäisiä Makita-akkuja. Muiden kuin aitojen Makita-akkujen, tai mahdollisesti muutettujen akkujen käyttö voi johtaa akun murtumiseen ja aiheuttaa tulipaloja, henkilö- ja omaisuusvahinkoja. Se mitätöi myös Makita-työkalun ja -laturin Makita-takuun.

## Vihjeitä akun käyttöön pidentämiseksi

1. Lataa akku ennen kuin se purkautuu täysin. Lopeta aina työkalun käyttö ja lataa akku, jos huomaat työkalun tehon vähenevän.
2. Älä koskaan lataa uudestaan täysin ladattua akkua. Yliilataaminen lyhentää akun käyttöikää.
3. Lataa akku huoneen lämpötilassa välillä 10 °C - 40 °C. Anna kuuman akun jäähtyä ennen lataamista.
4. Irrota akkupaketti työkalusta tai laturista, kun sitä ei käytetä.
5. Lataa akkupaketti, jos et käytä sitä pitkään aikaan (yli kuusi kuukautta).

## TOIMINTOJEN KUVAUS

**▲HUOMIO:** Varmista aina ennen säätöjä ja tarkastuksia, että työkalu on sammutettu ja akkupaketti irrotettu.

### Akun asentaminen tai irrottaminen

**▲HUOMIO:** Sammuta työkalu aina ennen akun kiinnittämistä tai irrottamista.

**▲HUOMIO:** Pidä työkalusta ja akusta tiukasti kiinni, kun irrotat tai kiinnität akkua. Jos akkupaketti tai työkalu putoaa, ne voivat vaurioitua tai aiheuttaa tapaturman.

- **Kuva1:** 1. Punainen ilmaisin 2. Painike 3. Akkupaketti

Irrota akku painamalla akun etupuolella olevaa painiketta ja vetämällä akku ulos työkalusta.

Akkupaketti asetetaan paikalleen sovittamalla akkupaketin kieleke rungon uraan ja työntämällä se sitten paikalleen. Työnnä se pohjaan asti niin, että kuulet sen napsahdavan paikoilleen. Jos näet kuvan mukaisen punaisen ilmaisimen, lukitus ei ole täysin pitävä.

**▲HUOMIO:** Työnnä akkupaketti aina pohjaan asti, niin että punainen ilmaisin ei enää näy. Jos akkupaketti ei ole kunnolla paikallaan, se voi pudota työkalusta ja aiheuttaa vammoja joko sinulle tai sivullisille.

**▲HUOMIO:** Älä käytä voimaa akun asennuksessa. Jos akku ei liu'u paikalleen helposti, se on väärässä asennossa.

### Työkalun/akun suojausjärjestelmä

Työkalu on varustettu työkalu/akun suojausjärjestelmällä. Tämä järjestelmä pidentää työkalun ja akun käyttöikää katkaisemalla automaattisesti moottorin virran. Työkalu pysähtyy automaattisesti kesken käytön, jos työkalussa tai akussa ilmenee jokin seuraavista tilanteista:

## Ylikuormitussuoja

Kun laitetta / akkua käytetään tavalla, joka saa sen kuluttamaan epätavallisen suuren määrän virtaa, laite pysähtyy automaattisesti. Katkaise tässä tilanteessa laitteesta virta ja lopeta ylikuormitustilan aiheuttanut käyttö. Käynnistä sitten laite uudelleen kytkemällä siihen virta.

## Ylikuumenemissuoja

Kun työkalu/akku ylikuumentee, työkalu pysähtyy automaattisesti. Anna silloin työkalun/akun jäähtyä, ennen kuin kytket työkaluun uudelleen virran.

## Ylipurkautumissuoja

Kun akun varaus on riittämätön, työkalu pysähtyy automaattisesti. Irrota silloin akku työkalusta ja lataa se.

## Varoitusvalo

Painokäynnistystilan valitsimessa oleva merkkivalo varoittaa seuraavista työkalun käyttöolosuhteista punaisella vilkkumisella.

- **Kuva2:** 1. Merkkivalo

Valon tila	Syyt	Korjaukset
Nopea vilkunta (n. kolme kertaa sekunnissa)	Akkuvirta on vähissä	Lataa akku mahdollisimman pian.
Hidas vilkunta (n. kerran sekunnissa)	Ylikuumentuminen	Anna työkalun jäähtyä, ennen kuin kytket sen uudelleen päälle.

**HUOMAA:** Yliyhjentyemisvaroitus saattaa ilmetä akun tilan ja toimintaolosuhteiden mukaan.

## Akun jäljellä olevan varustason ilmaisin

### Vain akkupaketeille ilmaisimella

- **Kuva3:** 1. Merkkivalot 2. Tarkistuspainike

Painamalla tarkistuspainiketta saat näkyviin akun jäljellä olevan varauksen. Merkkivalot palavat muutaman sekunnin ajan.

Merkkivalot			Akussa jäljellä olevan varaus
Palaa	Pois päältä	Vilkkuu	
■ ■ ■ ■ ■	□ □ □ □ □	▬ ▬ ▬ ▬ ▬	75% - 100%
■ ■ ■ ■ □	□ □ □ □ □	▬ ▬ ▬ ▬ ▬	50% - 75%
■ ■ ■ □ □	□ □ □ □ □	▬ ▬ ▬ ▬ ▬	25% - 50%
■ ■ □ □ □	□ □ □ □ □	▬ ▬ ▬ ▬ ▬	0% - 25%
▬ □ □ □ □	□ □ □ □ □	▬ □ □ □ □	Lataa akku.
■ ■ □ □ □	□ □ □ □ □	▬ □ □ □ □ ↑ ↓	Akussa on saattanut olla toimintahäiriö.

**HUOMAA:** Ilmoitettu varaustaso voi erota hieman todellisesta varaustasosta sen mukaan, millaisissa oloissa ja missä lämpötilassa laitetta käytetään.

**HUOMAA:** Ensimmäinen (vasemmanpuoleisin) merkkivalo vilkkuu, kun akun suojausjärjestelmä on toiminnassa.

## Haluttujen ruuvinpituuksien asettaminen

### Malli DFR452

Työkalussa on 4 lukittavaa ruuvinpituusasetusta. Paina pysäytinpohjan yläosassa olevia vipuja ja liu'uta pysäytinpohjaa ulos- ja sisäänpäin niin, että lukema-aukko on haluttua ruuvinpituutta vastaavan (levyissä näkyvän) numeron kohdalla. Seuraavassa taulukossa on tiedot haluttuja ruuvinpituuksia vastaavista numeroista.

► **Kuva4:** 1. Pysäytinpohja 2. Vipu 3. Levy 4. Kotelo

Levyn numerointi	Ruuvinpituusväli
20	20 mm (3/4")
25	25 mm – 28 mm (1" – 1-1/8")
32	28 mm – 35 mm (1-1/8" – 1-3/8")
41	35 mm – 41 mm (1-3/8" – 1-5/8")

### Malli DFR551

Työkalussa on 7 lukittavaa ruuvinpituusasetusta. Paina pysäytinpohjan yläosassa olevia vipuja ja liu'uta pysäytinpohjaa ulos- ja sisäänpäin niin, että lukema-aukko on haluttua ruuvinpituutta vastaavan (levyissä näkyvän) numeron kohdalla. Seuraavassa taulukossa on tiedot haluttuja ruuvinpituuksia vastaavista numeroista.

► **Kuva5:** 1. Pysäytinpohja 2. Vipu 3. Levy 4. Kotelo

Levyn numerointi	Ruuvinpituusväli
25	25 mm (1")
30	25 mm – 30 mm (1" – 1-3/16")
35	30 mm – 35 mm (1-3/16" – 1-3/8")
40	35 mm – 40 mm (1-3/8" – 1-9/16")
45	40 mm – 45 mm (1-9/16" – 1-3/4")
50	45 mm – 50 mm (1-3/4" – 2")
55	50 mm – 55 mm (2" – 2-3/16")

## Ruuvaussyvyyden säätö

Paina pysäytinpohjan etuosaa ja pidä sitä niin, että syöttölaatikko on niin alhaalla päällikotelo vasten kuin se menee. Pidä se tässä asennossa ja käännä säätö-rengasta niin, että ruuvauskärjen pää tulee ulos pysäytinpohjan etupinnasta noin 6 mm.

Ruuvaava koeruuvi. Jos ruuvin kanta jää työkappaleen pinnan yläpuolelle, käännä säätörengasta suuntaan A. Jos ruuvin kanta työntyy liian syväälle pinnasta, käännä säätörengasta suuntaan B.

► **Kuva6:** 1. Noin 6 mm 2. Pysäytinpohja 3. Syöttölaatikko 4. Kotelo 5. Säätörengas

## Kytkimen käyttäminen

**VAROITUS:** Tarkista aina ennen akkupaketin asettamista työkaluun, että liipaisinkytkin kytkeytyy oikein ja palaa "OFF"-asentoon, kun se vapautetaan.

Käynnistä työkalu painamalla liipaisinkytkintä. Työkalun nopeus kasvaa liipaisinkytkimeen kohdistuvaa voimaa lisättäessä. Pysäytä vapauttamalla liipaisinkytkin. Jos haluat käyttää työkalua pitkän ajan yhtäjaksoisesti, paina liipaisinkytkin ja lukituspainike pohjaan ja vapauta sitten liipaisinkytkin. Jos haluat pysäyttää työkalun, jonka lukituspainike on painettuna, paina liipaisinkytkin pohjaan ja vapauta se sitten.

► **Kuva7:** 1. Liipaisinkytkin 2. Lukituspainike

## Pyörimissuunnan vaihtokytkimen toiminta

**HUOMIO:** Tarkista aina pyörimissuuntaa ennen käyttöä.

**HUOMIO:** Käytä pyörimissuunnan vaihtokytkintä vasta sen jälkeen, kun kone on lakannut kokonaan pyörimästä. Pyörimissuunnan vaihto koneen vielä pyöriessä voi vahingoittaa sitä.

**HUOMIO:** Aina kun konetta ei käytetä, käännä pyörimissuunnan vaihtokytkin keskiasentoon.

Työkalussa on pyörimissuunnan vaihtokytkin. Jos haluat koneen pyöriä myötäpäivään, paina vaihtokytkintä A-puolelta ja jos vastapäivään, paina sitä B-puolelta.

Jos pyörimissuunnan vaihtokytkin on keskiasennossa, liipaisinkytkin lukittuu.

► **Kuva8:** 1. Pyörimissuunnan vaihtokytkin

## Painokäynnistystila

Painokäynnistystilassa ruuvauskärki pyörii vain, kun pysäytinpohjaa painetaan työkappaletta vasten. Muulloin työkalu katkaisee moottorin virransaannin, mikä säästää tyhjäkäynnin muutoin kuluvaa akkuvirtaa.

Valitse painokäynnistystila painamalla liipaisinkytkintä kevyesti, vapauttamalla se ja painamalla sitten tilanvalintapainiketta lyhyesti. Painokäynnistystilan merkkivalo syttyy tällöin.

► **Kuva9:** 1. Tilanvalintapainike 2. Merkkivalo

**HUOMAA:** Painokäynnistystilasta poistetaan käytöstä automaattisesti, kun liipaisinkytkin on ollut lukittuna kahdeksan tuntia ilman, että liipaisinkytkintä on käytetty. Käynnistä työkalu uudelleen painamalla liipaisinkytkin pohjaan niin, että lukituspainike vapautuu, ja painamalla sitten liipaisinkytkintä uudelleen.

## KOKOONPANO

**⚠️HUOMIO:** Varmista aina ennen mitään työkalulle tehtäviä toimenpiteitä, että se on sammutettu ja akku irrotettu.

### Ruuvauuskärjen irrotus ja kiinnitys

**⚠️HUOMIO:** Varo koskettamasta ruuvien teräviä osia, kun purat osia ja lisävarusteita.

**⚠️HUOMIO:** Käsittele lisävarusteita ja lisäosia varoen. Pidä aina tukevasti kiinni lisävarusteiden ja lisäosien rungoista, kun kiinnität ja irrotat niitä, jotta ne eivät pääse putoamaan tai luistamaan käsistäsi.

1. Paina päällikotelon molemmin puolin olevat vapautuspainikkeet pohjaan ja vedä sitten päällikotelon irti.  
▶ **Kuva10:** 1. Vapautuspainikkeet 2. Päällikotelon
2. Irrota ruuvauuskärki vetämällä se irti samalla, kun pidät karaa painettuna konerunkoa vasten.  
▶ **Kuva11:** 1. Ruuvauuskärki 2. Kara 3. Konerunko
3. Kiinnitä ruuvauuskärki asettamalla se niin syväälle karan aukkoon kuin se menee samalla, kun pidät karaa painettuna konerunkoa vasten. Kiinnitä ruuvauuskärki paikalleen vapauttamalla kara.
4. Liu'uta päällikotelon takaisin konerunkoon pitämällä tukevasti kiinni päällikotelon rungoista, kunnes sen molemmin puolin olevat vapautuspainikkeet napsahtavat kiinni.

### Ruuvausterän kiinnitys

Työnnä ruuvivyo ruuviohjaimen läpi. Työnnä vyo seuraavaksi syöttölaatikon läpi, kunnes ensimmäinen ruuvi tulee kiinnityskohtaan seuraavaan kohtaan.

- ▶ **Kuva12:** 1. Ruuvivyo 2. Ruuvivyon ohjain  
3. Päällikotelon 4. Ruuvien latausohjain  
5. Syöttölaatikko

**HUOMAUTUS:** Varmista, että ensimmäinen ruuvi tulee toiseen ruuvikohtaan kiinnityskohdan viereen.

- ▶ **Kuva13:** 1. Ensimmäinen ruuvi 2. Kiinnityskohta

### Ruuvivyon irrottaminen

Irrota ruuvivyo vetämällä se ulos syöttölaatikosta ylhäältä päin.

- ▶ **Kuva14**

Ruuvivyon voi vetää ulos syöttölaatikosta alhaalta päin, jos pidät syöttölaatikon suunnanvaihtopainiketta painettuna.

- ▶ **Kuva15:** 1. Suunnanvaihtonappi 2. Syöttölaatikko

## Koukun asentaminen

**⚠️HUOMIO:** Kun asennat koukun, kiristä se aina kiinni ruuvilla. Muutoin koukku voi irrota laitteesta ja aiheuttaa henkilövamman.

- ▶ **Kuva16:** 1. Ura 2. Koukku 3. Ruuvi

Työkalu voidaan kätevästi ripustaa väliaikaisesti koukkuun. Tämä voidaan asentaa kummalle puolelle työkalua tahansa. Asenna koukku työntämällä se työkalun rungon uraan jommallekummalle puolelle ja varmista kiinnitys ruuvilla. Voit irrottaa koukun löysäämällä ja irrottamalla ruuvin.

## TYÖSKENTELY

### Ajotoiminta

**HUOMAUTUS:** Tarkista aina ennen ruuvaamista, ettei ruuvauuskärki ole kulunut. Vaihda kulunut ruuvauuskärki uuteen tai ruuvit eivät ehkä kiinnity kunnolla.

**HUOMAUTUS:** Paina työkalua aina kohtisuorassa asennossa työpintaa vasten. Ruuvaaminen vinosti voi vahingoittaa ruuvien kantoja ja ruuvauuskärki voi kulua. Ruuvit eivät ehkä myöskään kiinnity kunnolla.

**HUOMAUTUS:** Pidä työkalu aina ruuvauksen loppuun asti työpintaa vasten painettuna. Muutoin ruuvit eivät ehkä kiinnity riittävästi.

**HUOMAUTUS:** Varo, ettet ruuvaa toista ruuvia jo kiinnitetyn ruuvin päälle.

**HUOMAUTUS:** Älä käytä työkalua ilman ruuveja. Se vahingoittaa työpintaa.

**HUOMAUTUS:** Jos syöttölaatikko ei toimi ruuvauksen aikana kitkattomasti, suihkuta liukupinnoille autovahaa (suihkepullostaa). Älä käytä voiteluainetta.

Käynnistä työkalu painamalla liipaisinkytkintä. Paina konetta kohtisuorassa työkappaleita vasten. Ruuvi kulkeutuu kiinnityskohtaan ja ruuvautuu työkappaleeseen automaattisesti.

- ▶ **Kuva17**

### Ruuvaaminen painokäynnistystilassa

1. Paina liipaisinkytkintä kevyesti ja vapauta se sitten. Paina sitten tilanvalintapainiketta lyhyesti.

Painokäynnistystilan valitsimessa oleva merkkivalo syttyy ja painokäynnistystila aktivoituu.

- ▶ **Kuva18:** 1. Tilanvalintapainike 2. Merkkivalo

2. Paina lukituspainiketta ja liipaisinkytkintä samanaikaisesti ja vapauta sitten liipaisinkytkin.

- ▶ **Kuva19:** 1. Lukituspainike 2. Liipaisinkytkin

**HUOMAA:** Kun painokäynnistystila on valittu ja liipaisinkytkin lukittu, moottori ei pyöritä työkalua, jos sitä ei ole kuormitettu, mikä minimoi virrankulutuksen.

3. Pidä työkalua suoraan työpintaa vastaan ja paina työkalua eteenpäin.

Ruuvi siirretään automaattisesti ruuvausasentoon ja ruuvataan kiinni täydellä nopeudella.

- ▶ **Kuva20**

## Kulmaan ajaminen

**⚠HUOMIO:** Ruuvien kiinnittäminen alle 15 mm päähän seinästä tai siten, että pysäytin pohja koskettaa seinää, saattaa vahingoittaa ruuvien kantaa ja aiheuttaa ruuvauskärjen kulumista. Ruuvit eivät ehkä myöskään kiinnity kunnolla ja työkalussa saatetaan ilmetä toimintahäiriöitä.

Tällä työkalulla voidaan kiinnittää ruuveja 15 mm päähän seinistä kuvan osoittamalla tavalla.

► **Kuva21:** 1. Seinä 2. Pysäytin pohja 3. 15 mm

## Aukiruuvaus

**⚠HUOMIO:** Tarkista aina pyörimissuunta ennen käyttöä.

**⚠HUOMIO:** Käytä pyörimissuunnan vaihtokytintä vasta sen jälkeen, kun kone on lakannut kokonaan pyörimästä. Pyörimissuunnan vaihto koneen vielä pyöriessä voi vahingoittaa sitä.

Työkalun ruuvauskärjen pyörimissuunnan voi vaihtaa helposti myötöpäiväisestä (oikealle pyörivästä) vastapäiväiseksi (vasemmalle pyöriväksi) eli ruuvien kiristys-tilasta ruuvien aukiruuvaustilaan tai päinvastoin.

1. Paina pyörimissuunnan vaihtokytintä puolelta B, kun haluat vaihtaa pyörimissuunnan vastapäiväiseksi.

► **Kuva22:** 1. Pyörimissuunnan vaihtokytin

2. Paina päällikotelon molemmin puolin olevat vapautuspainikkeet pohjaan ja vedä sitten päällikotelo irti.

► **Kuva23:** 1. Vapautuspainikkeet 2. Päällikotelo

3. Aseta ruuvauskärjen pää avattavan ruuvien kantaan.

4. Pidä työkalua tukevasti ruuvia vasten ja käynnistä työkalu liipaisinkytkintä painamalla.

► **Kuva24:** 1. Ruuvauskärki 2. Ruuvien kanta  
3. Liipaisinkytkin

5. Kun toimenpide on valmis, liu'uta päällikotelo takaisin konerunkoon niin, että se napsahtaa kiinni.

## KUNNOSSAPITO

**⚠HUOMIO:** Varmista aina ennen tarkastusta tai huoltoa, että työkalu on sammutettu ja akku irrotettu.

**HUOMAUTUS:** Älä koskaan käytä bensiiniä, ohenteita, alkoholia tai tms. aineita. Muutoin pinta voi halkeilla tai sen värit ja muoto voivat muuttua. Muutoin laitteeseen voi tulla värjäytymiä, muodon vääristymiä tai halkeamia.

Tuotteen TURVALLISUUDEN ja LUOTETTAVUUDEN takaamiseksi korjaukset, muut huoltotyöt ja säädöt on teetettävä Makitan valtuutetussa huoltopisteessä Makitan varaosia käyttäen.

## Käytön jälkeen

Pyyhi työkalu kuivalla tai kevyesti saippuaveden kostutetulla liinalla säännöllisin väliajoin.

## LISÄVARUSTEET

**⚠HUOMIO:** Seuraavia lisävarusteita tai laitteita suositellaan käytettäväksi tässä ohjeessa kuvatus Makita-työkalun kanssa. Muiden lisävarusteiden tai laitteiden käyttö voi aiheuttaa henkilövahinkoja. Käytä lisävarusteita ja -laitteita vain niiden käyttötarkoituksen mukaisesti.

Jos tarvitset apua tai yksityiskohtaisempia tietoja seuraavista lisävarusteista, ota yhteys paikalliseen Makitan huoltoon.

- Väliseinäruuvivivö
- Ristiruuvauskärki
- Neliökiinnitinkärki
- Pozidriv-kärki
- Syöttölaatikko
- Päällikotelo
- Aito Makitan akku ja laturi

**HUOMAA:** Jotkin luettelossa mainitut varusteet eivät sisältyä työkalun toimitukseen vakiovarusteina. Ne voivat vaihdella maittain.

## SPECIFIKATIONER

Model:	DFR452	DFR551
Skruebånd	ø3,5 mm x 20 mm - ø4,2 mm x 41 mm	ø3,5 mm x 25 mm - ø4,2 mm x 55 mm
Hastighed uden belastning (omdrejninger pr. minut)	0 - 6.000 min <sup>-1</sup>	
Længde i alt	360 mm	396 mm
Nominal spænding	DC 18 V	
Nettovægt	1,9 - 2,2 kg	

- På grund af vores kontinuerlige forsknings- og udviklingsprogrammer kan hosstående specifikationer blive ændret uden varsel.
- Specifikationer kan variere fra land til land.
- Vægten kan være anderledes afhængigt af tilbehøret, inklusive akkuen. Den letteste og tungeste kombination i henhold til EPTA-procedure 01/2014 er vist i tabellen.

### Anvendelig akku og oplader

Akku	BL1815N / BL1820B / BL1830B / BL1840B / BL1850B / BL1860B
Oplader	DC18RC / DC18RD / DC18RE / DC18SD / DC18SE / DC18SF / DC18SH

- Nogle af de akkuer og opladere, der er angivet ovenfor, er muligvis ikke tilgængelige, afhængigt af hvilket område du bor i.

**⚠ ADVARSEL:** Brug kun de akkuer og opladere, der er angivet ovenfor. Brug af andre akkuer og opladere kan medføre personskade og/eller brand.

### Tilsigtet anvendelse

Maskinen er beregnet til at skrue skruer i træ, metal og plastik.

### Støj

Det typiske A-vægtede støjniveau bestemt i overensstemmelse med EN62841-2-2:

#### Model DFR452

Lydtryksniveau ( $L_{pA}$ ): 75 dB (A)

Usikkerhed (K): 3 dB (A)

#### Model DFR551

Lydtryksniveau ( $L_{pA}$ ): 74 dB (A)

Usikkerhed (K): 3 dB (A)

Støjniveauet under arbejdet kan overskride 80 dB (A).

**BEMÆRK:** De(n) angivne støjemissionsværdi(er) er målt i overensstemmelse med en standardtestmetode og kan anvendes til at sammenligne en maskine med en anden.

**BEMÆRK:** De(n) angivne støjemissionsværdi(er) kan også anvendes i en præliminær eksponeringsvurdering.

**⚠ ADVARSEL:** Bær høreværn.

**⚠ ADVARSEL:** Støjemissionen under den faktiske anvendelse af maskinen kan være forskellig fra de(n) angivne værdi(er), afhængigt af den måde hvorpå maskinen anvendes, især den type arbejdsemne der behandles.

**⚠ ADVARSEL:** Sørg for at identificere de sikkerhedsforskrifter til beskyttelse af operatøren, som er baseret på en vurdering af eksponering under de faktiske brugsforhold (med hensyntagen til alle dele i brugscyklussen, f.eks. de gange, hvor maskinen er slukket, og når den kører i tomgang i tilgift til afbrydertiden).

### Vibration

Vibrationens totalværdi (tre-aksial vektorsum) bestemt i overensstemmelse med EN62841-2-2:

#### Model DFR452

Arbejdstilstand: skruring uden slag

Vibrationsemission ( $a_{h}$ ): 2,5 m/s<sup>2</sup> eller mindre

Usikkerhed (K): 1,5 m/s<sup>2</sup>

#### Model DFR551

Arbejdstilstand: skruring uden slag

Vibrationsemission ( $a_{h}$ ): 2,5 m/s<sup>2</sup> eller mindre

Usikkerhed (K): 1,5 m/s<sup>2</sup>

**BEMÆRK:** De(n) angivne totalværdi(er) for vibration er målt i overensstemmelse med en standardtestmetode og kan anvendes til at sammenligne en maskine med en anden.

**BEMÆRK:** De(n) angivne totalværdi(er) for vibration kan også anvendes i en præliminær eksponeringsvurdering.

**⚠ ADVARSEL:** Vibrationsemissionen under den faktiske anvendelse af maskinen kan være forskellig fra de(n) angivne værdi(er), afhængigt af den måde hvorpå maskinen anvendes, især den type arbejdsemne der behandles.

**⚠ ADVARSEL:** Sørg for at identificere de sikkerhedsforskrifter til beskyttelse af operatøren, som er baseret på en vurdering af eksponering under de faktiske brugsforhold (med hensyntagen til alle dele i brugscyklussen, f.eks. de gange, hvor maskinen er slukket, og når den kører i tomgang i tilgift til afbrydertiden).

## EF-overensstemmelseserklæring

### Kun for lande i Europa

EF-overensstemmelseserklæringen er inkluderet som Bilag A i denne brugsanvisning.

## SIKKERHEDSADVARSLER

### Almindelige sikkerhedsregler for el-værktøj

**⚠ ADVARSEL:** Læs alle de sikkerhedsadvarsler, instruktioner, illustrationer og specifikationer, der følger med denne maskine. Forsømmelse af at overholde alle nedenstående instruktioner kan medføre elektrisk stød, brand og/eller alvorlig personskade.

### Gem alle advarsler og instruktioner til fremtidig reference.

Ordet "el-værktøj" i advarslerne henviser til det netforsyede (netledning) el-værktøj eller batteriforsyede (akku) el-værktøj.

### Sikkerhedsadvarsler for akku skruetrækker

1. Hold maskinen i de isolerede grebflader, når der udføres et arbejde, hvor fastgørelsesmidlet kan komme i kontakt med skjulte ledninger. Fastgørelsesmidler, der kommer i kontakt med en strømførende ledning, kan bevirke, at udsatte metaldele på maskinen bliver strømførende, hvorved operatøren kan få elektrisk stød.
2. Sørg altid for, at du har et godt fodfæste. Sørg for, at der ikke befinder sig nogen under dig, når maskinen anvendes på højtliggende steder.
3. Hold godt fast i maskinen.
4. Hold hænderne på afstand af roterende dele.
5. Rør ikke ved bittene eller arbejdsområdet umiddelbart efter anvendelse. De kan begge være meget varme og forårsage forbrænding af huden.
6. Fastgør altid arbejdsområdet i en skruestik eller lignende udstyr til fastgørelse.
7. Sørg for, at der ikke er nogen elledninger, vandør, gasrør osv., der kan udgøre en fare, hvis de beskadiges ved brug af maskinen.

### GEM DENNE BRUGSANVISNING.

**⚠ ADVARSEL:** LAD IKKE bekvemmelighed eller kendskab til produktet (opnået gennem gentagen brug) forhindre, at sikkerhedsforskrifterne for produktet nøje overholdes.

MISBRUG eller forsømmelse af at følge de i denne brugsvejledning givne sikkerhedsforskrifter kan føre til, at De kommer alvorligt til skade.

## Vigtige sikkerhedsinstruktioner for akkuen

1. Læs alle instruktioner og advarselmærkater på (1) akku-opladeren, (2) akkuen og (3) produktet, som anvender akku.
2. Adskil eller ændr ikke akkuen. Det kan muligvis resultere i en brand, overdreven varme eller eksplosion.
3. Hold straks op med anvendelsen, hvis brugstiden er blevet stærkt afkortet. Fortsat anvendelse kan resultere i risiko for overophedning, forbrændinger og endog eksplosion.
4. Hvis De har fået elektrolytvæske i øjnene, skal De straks skylle den ud med rent vand og derefter øjeblikkeligt søge lægehjælp. I modsat fald kan De miste synet.
5. Vær påpasselig med ikke at komme til at kortslutte akkuen:
  - (1) Rør ikke ved terminalerne med noget ledende materiale.
  - (2) Undgå at opbevare akkuen i en beholder sammen med andre genstande af metal, for eksempel søm, mønter og lignende.
  - (3) Udsæt ikke akkuen for vand eller regn. Kortslutning af akkuen kan forårsage en kraftig øgning af strømmen, overophedning, mulige forbrændinger og endog værktøjstop.
6. Opbevar og brug ikke maskinen og akkuen på steder, hvor temperaturen muligvis kan nå eller overstige 50 °C.
7. Lad være med at brænde akkuen, selv ikke i tilfælde, hvor den har lidt alvorlig skade eller er fuldstændig udtjent. Akkuen kan eksplodere, hvis man forsøger at brænde den.
8. Slå ikke søm i, skær ikke i, knus, kast, tab ikke akkuen og stød ikke akkuen mod en hård genstand. Sådan adfærd kan muligvis resultere i en brand, overdreven varme eller eksplosion.
9. Anvend ikke en beskadiget akku.
10. De indbyggede litium-ion-batterier er underlagt lovkrav vedrørende farligt gods. Ved kommerciel transport, f.eks. af tredjeparts transportselskaber, skal særlige krav til forpakning og mærkning overholdes. Ved forberedelse af udstyret til forsendelse skal du kontakte en ekspert i farligt gods. Overhold også eventuel mere detaljeret national lovgivning. Tape eller tildæk åbne kontakter, og pak batteriet på en måde, så det ikke kan flytte sig rundt i pakningen.
11. Når akkuen bortskaftes, skal du fjerne den fra maskinen og bortskaft den på et sikkert sted. Følg de lokale love vedrørende bortskaftelsen af batterier.
12. Brug kun batterierne med de produkter, som Makita specificerer. Hvis batterierne installeres i ikke-kompatible produkter, kan det medføre brand, kraftig varme, eksplosion eller udsivning af elektrolyt.

13. Hvis maskinen ikke skal bruges i længere tid ad gangen, skal du fjerne batteriet fra maskinen.
14. Akkuen kan muligvis under og efter brug være varm, hvilket kan forårsage forbrændinger eller lavtemperaturforbrændinger. Vær påpasselig med håndtering af varme akkuer.
15. Rør ikke terminalerne på maskinen straks efter brug, da den bliver varm nok til at forårsage forbrændinger.
16. Sørg for at spåner, støv eller jord ikke sætter sig fast inde i terminalerne, hullerne og rillerne på akkuen. Det kan muligvis medføre dårlig ydelse eller nedbrud af maskinen eller akkuen.
17. Medmindre maskinen understøtter brugen i nærheden af elektriske højspændingsledninger, skal du ikke anvende akkuen i nærheden af elektriske højspændingsledninger. Det kan muligvis medføre funktionsfejl på eller nedbrud af maskinen eller akkuen.
18. Opbevar batteriet utilgængeligt for børn.

## GEM DENNE BRUGSANVISNING.

**⚠FORSIGTIG: Brug kun originale batterier fra Makita.** Brug af uoriginale Makita-batterier, eller batterier som er blevet ændret, kan muligvis medføre brud på batteriet, hvilket kan forårsage brand, personskade eller beskadigelse. Det ugyldiggør også Makita-garantien for Makita-maskinen og opladeren.

## Tips til opnåelse af maksimal akku-levetid

1. Oplad akkuen, inden den er helt afladet. Stop altid værktøjet, og oplad akkuen, hvis De bemærker, at værktøjeffekten er aftagende.
2. Genoplad aldrig en fuldt opladet akku. Overopladning vil afkorte akkuens levetid.
3. Oplad akkuen ved stuetemperatur ved 10 °C - 40 °C. Lad altid en varm akku få tid til at køle af, inden den oplades.
4. Når du ikke anvender akkuen, skal du fjerne den fra maskinen eller opladeren.
5. Oplad akkuen, hvis De ikke skal bruge den i længere tid (mere end seks måneder).

## FUNKTIONSBESKRIVELSE

**⚠FORSIGTIG: Sørg altid for at maskinen er slukket, og at akkuen er taget ud, før der udføres justering eller kontrol af funktioner på maskinen.**

### Isætning eller fjernelse af akkuen

**⚠FORSIGTIG: Sluk altid for værktøjet, før De monterer eller fjerner akkuen.**

**⚠FORSIGTIG: Hold værktøjet og akkuen fast ved montering eller fjernelse af akkuen.** Hvis De ikke holder værktøjet og akkuen fast, kan de glide ud af hænderne på Dem og forårsage beskadigelse af værktøjet og akkuen eller personskade.

► Fig. 1: 1. Rød indikator 2. Knap 3. Akku

Akkuen fjernes ved, at De trækker den ud af værktøjet, idet De skyder knappen på forsiden af akkuen i stilling.

For at montere akkuen skal du justere tungen på akkuen med rillen i huset og skubbe den på plads. Indsæt den hele vejen, indtil den låses på plads med et lille klik. Hvis du kan se den røde indikator, som vist i figuren, er den ikke helt låst.

**⚠FORSIGTIG: Monter altid akkuen helt, indtil den røde indikator ikke længere er synlig.** Hvis dette ikke gøres, kan den falde ud af værktøjet ved et uheld, hvorved De selv eller personer i nærheden kan komme til skade.

**⚠FORSIGTIG: Brug ikke magt ved montering af akkuen.** Hvis akkuen ikke glider på plads uden problemer, betyder det, at den ikke sættes i på korrekt vis.

### Beskyttelsessystem til værktøj/batteri

Maskinen er udstyret med et beskyttelsessystem til maskinen/batteriet. Dette system afbryder automatisk strømmen til motoren for at forlænge maskinens og batteriets levetid. Maskinen stopper automatisk under brugen, hvis maskinen eller batteriet udsættes for et af følgende forhold:

### Overbelastningsbeskyttelse

Hvis maskinen/batteriet bruges på en måde, der får den til at trække en unormalt høj strøm, stopper maskinen automatisk. I denne situation skal du slukke for maskinen og stoppe den anvendelse, som bevirkede, at maskinen blev overbelastet. Tænd derefter for maskinen for at starte den igen.

### Beskyttelse mod overophedning

Hvis maskinen/batteriet er overophedet, stopper maskinen automatisk. Lad i så fald maskinen/batteriet køle ned, før der tændes for maskinen igen.

### Beskyttelse mod overafledning

Når batteriladningen er utilstrækkelig, stopper maskinen automatisk. Tag i så fald akkuen ud af maskinen, og oplad akkuen.



## Advarselsindikator

Indikatorlampen på trykdrevtilstandsvælgeren udløser en advarsel med blinkende rødt lys, når maskinen fungerer under følgende driftsforhold.

► **Fig.2:** 1. Indikatorlampe

Lampestatus	Arsager	Afhjælpningsmetoder
Blinker hurtigt (intervallet på ca. et tredjedels sekund)	Batteriet er ved at løbe tør	Oplad batteriet så hurtigt som muligt.
Forsinket blink (intervallet på ca. et sekund)	Overophedet	Lad maskinen køle af, før du tænder den igen.

**BEMÆRK:** En advarsel om over-afledning kan vises afhængigt af batteristatus og driftsforhold.

## Indikation af den resterende batteriladning

**Kun til akkuer med indikatoren**

► **Fig.3:** 1. Indikatorlamper 2. Kontrolknop

Tryk på kontrolknappen på akkuen for at få vist den resterende batteriladning. Indikatorlampen lyser i nogle sekunder.

Indikatorlamper			Resterende ladning
Tændt	Slukket	Blinker	
■	□	◻	
■ ■ ■ ■			75% til 100%
■ ■ ■ □			50% til 75%
■ ■ □ □			25% til 50%
■ □ □ □			0% til 25%
◻	◻	◻	Genoplad batteriet.
■ ■ □ □			Der er muligvis fejl i batteriet.
□ □ ■ ■			

**BEMÆRK:** Afhængigt af brugsforholdene og den omgivende temperatur kan indikationen afvige en smule fra den faktiske ladning.

**BEMÆRK:** Den første indikatorlampe (længst mod venstre) vil blinke, når batteribeskyttelsessystemet aktiveres.

## Indstilling for ønskede skruelængder

**For model DFR452**

Maskinen er udstyret med 4 fastlåste skruelængdeindstillinger. Skub stopperfoden ud og ind, mens du trykker armene ned på stopperfodens øverste overflade, så tallet for den ønskede skruelængde (angivet på pladen) vises i læsevinduet. Se nedenstående tabel for at få flere oplysninger om de tal, der er tildelt de ønskede skruelængder.

► **Fig.4:** 1. Stopperfod 2. Arm 3. Plade 4. Indkapsling

Tal angivet på pladen	Skruelængdeområder
20	20 mm (3/4")
25	25 mm - 28 mm (1" - 1-1/8")
32	28 mm - 35 mm (1-1/8" - 1-3/8")
41	35 mm - 41 mm (1-3/8" - 1-5/8")

**For model DFR551**

Maskinen er udstyret med 7 fastlåste skruelængdeindstillinger. Skub stopperfoden ud og ind, mens du trykker armene ned på stopperfodens øverste overflade, så tallet for den ønskede skruelængde (angivet på pladen) vises i læsevinduet. Se nedenstående tabel for at få flere oplysninger om de tal, der er tildelt de ønskede skruelængder.

► **Fig.5:** 1. Stopperfod 2. Arm 3. Plade 4. Indkapsling

Tal angivet på pladen	Skruelængdeområder
25	25 mm (1")
30	25 mm - 30 mm (1" - 1-3/16")
35	30 mm - 35 mm (1-3/16" - 1-3/8")
40	35 mm - 40 mm (1-3/8" - 1-9/16")
45	40 mm - 45 mm (1-9/16" - 1-3/4")
50	45 mm - 50 mm (1-3/4" - 2")
55	50 mm - 55 mm (2" - 2-3/16")

## Justering af idrivningsdybderne

Tryk på forsiden af stopperfoden, og hold fremføringskassen nede i indkapslingen, så langt den kan komme. Mens du holder den i denne position, drejes justeringsdrejknappen, så skruebitspidsen kommer ud ca. 6 mm fra stopperfodens forsides. Skru en prøveskrue i. Hvis skruehovedet står over arbejdsemnets overflade, drejes justeringsdrejknappen i A-retningen; Hvis skruehovedet sidder under overfladen, drejes justeringsdrejknappen i B-retningen.

► **Fig.6:** 1. Ca. 6 mm 2. Stopperfod 3. Fremføringskasse 4. Indkapsling 5. Justeringsdrejknop

## Afbryderbetjening

**⚠ ADVARSEL:** Inden akkuen sættes i maskinen, bør De altid kontrollere, at afbryderknappen fungerer korrekt, og returnerer til "OFF"-positionen, når den slippes.

For at starte maskinen skal du trykke på afbryderknappen. Maskinens hastighed øges ved at øge trykket på afbryderknappen. Slip afbryderknappen for at stoppe. For kontinuerlig anvendelse skal du trykke på afbryderknappen, trykke låseknappen ind og derefter slippe afbryderknappen. For at stoppe maskinen fra den låste position, skal du trykke afbryderknappen helt ind, og derefter slippe den.

► **Fig.7:** 1. Afbryderknop 2. Låseknop

## Omløbsvælgerbetjening

**⚠️FORSIGTIG:** Kontrollér altid omløbsretningen, inden arbejdet påbegyndes.

**⚠️FORSIGTIG:** Flyt kun omløbsvælgeren, når maskinen er helt standset. Hvis omløbsretningen ændres, inden maskinen er helt stoppet, kan det beskadige maskinen.

**⚠️FORSIGTIG:** Sæt altid omløbsvælgeren i neutral stilling, når maskinen ikke anvendes.

Denne maskinen har en omløbsvælger til at skifte omløbsretning. Skub omløbsvælgeren ind fra A-siden for omdrejning med uret, og fra B-siden for omdrejning mod uret.

Når omløbsvælgeren er i neutral stilling, kan afbryderknappen ikke trykkes ind.

► Fig.8: 1. Omløbsvælger

## Trykdrevtilstand

Skruerbitten roterer kun i trykdrevtilstand ved at trykke på idrivningsfladen med stopperfoden, så maskinen kan afbryde strømmen til motoren for at spare batteristrøm i tomgang.

For at vælge trykdrevtilstand skal du trykke let på afbryderknappen og derefter slippe den og hurtigt trykke på tilstandsvalgknappen. Indikatorlampen på trykdrevtilstandsvælgeren tændes derefter.

► Fig.9: 1. Tilstandsvalgknap 2. Indikatorlampe

**BEMÆRK:** Trykdrevtilstanden deaktiveres automatisk efter otte timer med afbryderknappen låst og ingen yderligere afbryderfunktion. For at genstarte maskinen skal du trykke på afbryderknappen helt for at frigøre låseknappen og trykke på afbryderen igen.

## SAMLING

**⚠️FORSIGTIG:** Sørg altid for at maskinen er slukket, og at akkuen er taget ud, før der udføres noget arbejde på maskinen.

## Afmontering eller montering af skruabit

**⚠️FORSIGTIG:** Sørg for ikke at berøre skrue-nes skarpe kanter, når du monterer komponenterne og tilbehør igen.

**⚠️FORSIGTIG:** Håndter udstyr og tilbehør med forsigtighed. Sørg altid for at holde godt fast i udstyret og tilbehøret, når du monterer og afmonterer dem for at undgå, at de falder ned eller glider ud af hænderne.

1. Tryk på udløserknapperne på hver side af indkapslingen, og hold dem nede, og træk derefter indkapslingen fra hinanden.

► Fig.10: 1. Udløserknapper 2. Indkapsling

2. For at afmontere skruerbitten skal du trække den af, mens du skubber og holder spindlen inde i gearhuset.

► Fig.11: 1. Skruabit 2. Spindel 3. Gearhus

3. For at montere en skruabit skal du anbringe den i spindelhullet, så langt som den kan komme, mens du skubber og holder spindlen inde i gearhuset. Slip derefter spindlen for at fastgøre skruerbitten.

4. Fastgør indkapslingen på gearhuset igen, mens indkapslingshuset holdes fast, indtil udløserknapperne på hver siden af indkapslingen låser på plads.

## Montering af skruébånd

Sæt skruébåndet ind gennem skruestyret. Sæt det derefter ind gennem fremføringskassen indtil den første skrue når positionen ved siden af idrivningspositionen.

► Fig.12: 1. Skruébånd 2. Skruébåndsstyr 3. Indkapsling 4. Vejledning til isætning af skrue 5. Fremføringskasse

**BEMÆRKNING:** Sørg for at indstille den første skrue i den anden række ved siden af idrivningspositionen.

► Fig.13: 1. Første skrue 2. Idrivningsposition

## Afmontering af skruébånd

For at afmontere skruébåndet skal du trække det opad ud af fremføringskassen.

► Fig.14

Skruébåndet kan trækkes nedad ud af fremføringskassen, mens du trykker på tilbage-knappen på fremføringskassen.

► Fig.15: 1. Tilbage-knap 2. Fremføringskasse

## Monteringskrog

**⚠️FORSIGTIG:** Når krogen monteres, skal den altid fastgøres forsvarligt med skruen. Hvis det ikke er tilfældet kan krogn falde af maskinen og forårsage personskaade.

► Fig.16: 1. Rille 2. Krog 3. Skrue

Krogn er bekvemt til midlertidig ophængning af maskinen. Den kan monteres på begge sider af maskinen. Krogn monteres ved at man sætter den ind i rillen på maskinen på en af siderne og derefter fastgør den med en skrue. Krogn tages af ved at man løsner skruen og derefter tager den af.

# ANVENDELSE

## Anvendelse til idrivning

**BEMÆRKNING:** Kontroller altid skruebitten omhyggeligt for slid før idrivningsbetjening. Udskift en slidt skruebit, ellers kan det resultere i dårlig fastgørelse.

**BEMÆRKNING:** Hold altid maskinen helt lige i forhold til idrivningsfladen. Hvis du holder den skævt, kan det beskadige skruehovederne og forårsage slid på skruebitten. Dette kan muligvis også medføre dårlig fastgørelse.

**BEMÆRKNING:** Hold altid maskinen fast mod idrivningsfladen, indtil idrivningen er færdig. Hvis dette ikke gøres, kan det medføre utilstrækkelig fastgørelse af skrueerne.

**BEMÆRKNING:** Pas på ikke at idrive en skrue på en anden skrue, der allerede er fastgjort.

**BEMÆRKNING:** Anvend ikke maskinen uden skruer. Dette vil beskadige idrivningsfladen.

**BEMÆRKNING:** Hvis fremføringskassen ikke fungerer problemfrit, når du idriver skrueerne, sprøjtes bilvoks (spraytype) på glidefladerne. Den må aldrig smøres.

Tænd for maskinen ved at trykke på afbryderknappen. Hold maskinen lige og fast ind mod idrivningsfladen. Der vil automatisk blive ført en skrue til idrivningspositionen og fastgjort.

► Fig.17

## I drivningsbetjening i trykdrevtilstand

1. Tryk let på afbryderknappen, og slip den. Tryk derefter hurtigt på tilstandsvalgknappen.

Indikatorlampen på trykdrevtilstandsvælgeren lyser, og trykdrevtilstanden aktiveres.

► Fig.18: 1. Tilstandsvalgknop 2. Indikatorlampe

2. Tryk låseknappen ind, mens du trykker på afbryderknappen, og slip derefter afbryderknappen.

► Fig.19: 1. Låseknop 2. Afbryderknop

**BEMÆRK:** Når du vælger trykdrevtilstanden og låser afbryderen i til-position, roterer motoren ikke uden belastning for at minimere strømforbruget.

3. Hold maskinen helt lige mod idrivningsoverfladen, og tryk maskinen fremad.

Skrueerne vil automatisk blive ført til idrivningspositionen og idrevet med fuld hastighed.

► Fig.20

## I drivning i hjørne

**⚠FORSIGTIG:** I drivning i en position, der er tættere end 15 mm på væggen eller idrivning med stopperfoden i kontakt med væggen kan beskadige skruehovederne og forårsage slid på skruebitten. Dette kan muligvis også medføre dårlig fastgørelse af skruer og funktionsfejl på maskinen.

Denne maskine kan anvendes til idrivning i en position 15 mm væk fra væggen som vist på figuren.

► Fig.21: 1. Væg 2. Stopperfod 3. 15 mm

## Frigørelse

**⚠FORSIGTIG:** Kontrollér altid omløbsretningen, inden arbejdet påbegyndes.

**⚠FORSIGTIG:** Flyt kun omløbsvælgeren, når maskinen er helt standset. Hvis omløbsretningen ændres, inden maskinen er helt stoppet, kan det beskadige maskinen.

Maskinen giver dig mulighed for let at ændre retningen af skruebitten, enten mod højre (med uret) for at tilspænde en skrue eller mod venstre (mod uret) for at løsne en skrue.

1. Tryk omløbsvælgerarmen ned fra B-siden for rotation mod uret.

► Fig.22: 1. Omløbsvælgerarm

2. Tryk på udløserknapperne på hver side af indkapslingen, og hold dem nede, og træk derefter indkapslingen fra hinanden.

► Fig.23: 1. Udløserknapper 2. Indkapsling

3. Anbring skruebittens spids på hovedet af den skrue, der skal løsnes.

4. Hold maskinen fast mod skruen, og tryk på afbryderknappen for at starte.

► Fig.24: 1. Skruebit 2. Skruehoved 3. Afbryderknop

5. Fastgør indkapslingen tilbage på gearhuset, indtil den låses på plads efter endt drift.

## VEDLIGEHOLDELSE

**⚠FORSIGTIG:** Vær altid sikker på, at værktøjet er slukket, og at akkuen er taget ud, inden De begynder at udføre inspektion eller vedligeholdelse.

**BEMÆRKNING:** Anvend aldrig benzin, rensebenzin, fortynder, alkohol og lignende. Det kan medføre misfarvning, deformation eller revner.

For at opretholde produktets SIKKERHED og PÅLIDELIGHED må reparation, vedligeholdelse eller justering kun udføres af et autoriseret Makita servicecenter eller fabrikksservicecenter med anvendelse af Makita reservedele.

## Efter anvendelse

Aftør maskinen med en tør klud eller klud, der er let fugtet med sæbevand med jævne mellemrum.

## EKSTRAUDSTYR

**⚠ FORSIGTIG:** Det følgende tilbehør og ekstraudstyr er anbefalet til brug med Deres Makita maskine, der er beskrevet i denne brugsanvisning. Anvendelse af andet tilbehør eller ekstraudstyr kan udgøre en risiko for personskade. Anvend kun tilbehør og ekstraudstyr til det beskrevne formål.

Hvis De behøver hjælp ved valg af tilbehør eller ønsker yderligere informationer, bedes De kontakte Deres lokale Makita servicecenter.

- Skruebånd til gipsvægge
- Stjerneskruebit
- Firkantet bit
- Pozidriv-bit
- Fremføringskasse
- Indkapsling
- Original Makita-akku og oplader

**BEMÆRK:** Nogle ting på denne liste kan være inkluderet i værktøjspakken som standardtilbehør. Det kan være forskellige fra land til land.

## SPECIFIKĀCIJAS

Modelis:	DFR452	DFR551
Lentē savienotas skrūves	ø3,5 mm x 20 mm-ø4,2 mm x 41 mm	ø3,5 mm x 25 mm-ø4,2 mm x 55 mm
Ātrums bez slodzes (apgr./min)	0-6 000 min <sup>-1</sup>	
Kopējais garums	360 mm	396 mm
Nominālais spriegums	Līdzstrāva 18 V	
Neto svars	1,9-2,2 kg	

- Nepārtrauktās izpētes un izstrādes programmas dēļ šeit uzrādītās specifikācijas var tikt mainītas bez brīdinājuma.
- Atkarībā no valsts specifikācijas var atšķirties.
- Svārs var būt atšķirīgs atkarībā no papildierīces(-ēm), tostarp akumulatora kasetnes. Tabulā ir attēlota vieglākā un smagākā kombinācija atbilstoši EPTA procedūrai 01/2014.

### Piemērotā akumulatora kasetne un lādētājs

Akumulatora kasetne	BL1815N / BL1820B / BL1830B / BL1840B / BL1850B / BL1860B
Lādētājs	DC18RC / DC18RD / DC18RE / DC18SD / DC18SE / DC18SF / DC18SH

- Daži no iepriekš norādītajiem lādētājiem un akumulatora kasetnēm var nebūt pieejami atkarībā no jūsu mītnes reģiona.

**▲BRĪDINĀJUMS:** Izmantojiet vienīgi iepriekš norādītās akumulatora kasetnes un lādētājus. Cita tipa akumulatora kasetņu un lādētāju izmantošana var radīt traumu un/vai aizdegšanās risku.

### Paredzētā lietošana

Šis darbarīks paredzēts skrūvju ieskrūvēšanai kokā, metālā un plastmasā.

### Trokšņa līmenis

Tipiskais A svērtais trokšņa līmenis noteikts saskaņā ar EN62841-2-2:

#### Modelis DFR452

Skaņas spiediena līmeni ( $L_{pA}$ ): 75 dB (A)

Mainīgums (K): 3 dB (A)

#### Modelis DFR551

Skaņas spiediena līmeni ( $L_{pA}$ ): 74 dB (A)

Mainīgums (K): 3 dB (A)

Darbības laikā trokšņa līmenis var pārsniegt 80 dB (A).

**PIEZĪME:** Paziņotā trokšņa emisijas vērtība noteikta atbilstoši standarta pārbaudes metodei, un to var izmantot, lai salīdzinātu vienu darbarīku ar citu.

**PIEZĪME:** Paziņoto trokšņa emisijas vērtību arī var izmantot iedarbības sākotnējā novērtējumā.

**▲BRĪDINĀJUMS:** Lietojiet ausu aizsargus.

**▲BRĪDINĀJUMS:** Trokšņa emisija patiesos darba apstākļos var atšķirties no paziņotās vērtības atkarībā no darbarīka izmantošanas veida un jo īpaši atkarībā no apstrādājamā materiāla veida.

**▲BRĪDINĀJUMS:** Lai aizsargātu lietotāju, nosakiet drošības pasākumus, kas pamatoti ar iedarbību reālos darba apstākļos (ņemot vērā visus ekspluatācijas cikla posmus, piemēram, laiku, kamēr darbarīks ir izslēgts un kad darbojas tukšgaitā, kā arī palaišanas laiku).

### Vibrācija

Vibrācijas kopējā vērtība (trīsasu vektora summa) noteikta atbilstoši EN62841-2-2:

#### Modelis DFR452

Darba režīms: skrūvēšana bez triecienrežīma

Vibrācijas izmēte ( $a_{h1}$ ): 2,5 m/s<sup>2</sup> vai mazāk

Mainīgums (K): 1,5 m/s<sup>2</sup>

#### Modelis DFR551

Darba režīms: skrūvēšana bez triecienrežīma

Vibrācijas izmēte ( $a_{h1}$ ): 2,5 m/s<sup>2</sup> vai mazāk

Mainīgums (K): 1,5 m/s<sup>2</sup>

**PIEZĪME:** Paziņotā kopējā vibrācijas vērtība noteikta atbilstoši standarta pārbaudes metodei, un to var izmantot, lai salīdzinātu vienu darbarīku ar citu.

**PIEZĪME:** Paziņoto kopējo vibrācijas vērtību arī var izmantot iedarbības sākotnējā novērtējumā.

**▲BRĪDINĀJUMS:** Vibrācijas emisija patiesos darba apstākļos var atšķirties no paziņotās vērtības atkarībā no darbarīka izmantošanas veida un jo īpaši atkarībā no apstrādājamā materiāla veida.

**▲BRĪDINĀJUMS:** Lai aizsargātu lietotāju, nosakiet drošības pasākumus, kas pamatoti ar iedarbību reālos darba apstākļos (ņemot vērā visus ekspluatācijas cikla posmus, piemēram, laiku, kamēr darbarīks ir izslēgts un kad darbojas tukšgaitā, kā arī palaišanas laiku).

### EK atbilstības deklarācija

*Tikai Eiropas valstīm*

EK atbilstības deklarācija šajā lietošanas rokasgrāmatā ir iekļauta kā A pielikums.

# DROŠĪBAS BRĪDINĀJUMI

## Vispārīgi elektrisko darbarīku drošības brīdinājumi

**▲BRĪDINĀJUMS:** Izlasiet visus drošības brīdinājumus, instrukcijas, apskatiet ilustrācijas un tehniskos datus, kas iekļauti mehanizētā darbarīka komplektācijā. Ja netiek ievēroti visi tālāk minētie noteikumi, var tikt izraisīta elektrotrauma, notikt aizdegšanās un/vai rasties smagas traumas.

## Glabājiet visus brīdinājumus un norādījumus, lai varētu tajos ieskatīties turpmāk.

Termins „elektrisks darbarīks” brīdinājumos attiecas uz tādu elektrisko darbarīku, ko darbina ar elektrību (ar vadu), vai tādu, ko darbina ar akumulatoru (bez vada).

## Drošības brīdinājumi attiecībā uz bezvadu skrūvgriezi

1. Turiet elektrisko darbarīku aiz izolētajām satveršanas virsmām, veicot darbu, kura gaitā stiprinājumus varētu saskarties ar neredzamu elektroinstalāciju. Stiprinājumiem saskaroties ar zem sprieguma esošu vadu, elektriskā darbarīka ārējās metāla virsmas var vadīt strāvu un radīt lietotājam elektrotraumu.
2. Vienmēr stāviet stabili. Ja lietojat darbarīku, strādājot augstumā virs zemes, pārliecinieties, ka apakšā neviena nav.
3. Turiet darbarīku stingri.
4. Netuviniet rokas rotējošām daļām.
5. Nepieskarieties uzgalim vai apstrādājamajam materiālam tūlīt pēc darba veikšanas; tie var būt ļoti karsti un apdedzināt ādu.
6. Apstrādājamus materiālus vienmēr ievietojiet skrūvspilēs vai citā stiprinājuma ierīcē.
7. Raugieties, lai tuvumā nav elektrības vada, ūdens cauruļu, gāzes cauruļu u. c., kas varētu radīt bīstamu situāciju, ja tos darba laikā sabojā ar šo darbarīku.

## SAGLABĀJIET ŠOS NORĀDĪJUMUS.

**▲BRĪDINĀJUMS:** NEPIELĀUJIET to, ka labu iemaņu vai izstrādājuma labas pārzināšanas (darbarīku atkārtoti ekspluatējot) rezultātā vairs stingri neievērojat šī izstrādājuma drošības noteikumus.

NEPAREIZI LIETOJOT darbarīku vai neievērojot šajā instrukciju rokasgrāmatā minētos drošības noteikumus, var tikt gūtas smagas traumas.

## Svarīgi drošības norādījumi par akumulatora kasetni

1. Pirms akumulatora lietošanas izlasiet visus norādījumus un brīdinājumus, kuri attiecas uz (1) akumulatora lādētāju, (2) akumulatoru un (3) ierīci, kurā tiek izmantots akumulators.
2. Akumulatora kasetni nedrīkst ne pārveidot, ne izjaukt. Citādi var tikt izraisīta aizdegšanās, pārmērīgs karstums vai sprādziens.
3. Ja akumulatora darbības laiks kļuva ievērojami īsāks, nekavējoties pārtrauciet to izmantot. Citādi, tas var izraisīt pārkarsējumu, uzliesmojumu vai pat sprādzienu.
4. Ja elektrolīts nonāk acīs, izskalojiet tās ar tīru ūdens un nekavējoties griezieties pie ārsta. Tas var izraisīt redzes zaudēšanu.
5. Neradiet īssavienojumu akumulatora kasetnē:
  - (1) Nepieskarieties spailēm ar elektrību vadošiem materiāliem.
  - (2) Neuzglabājiet akumulatoru kasetni kopā ar citiem metāla priekšmetiem, tādiem kā naglas, monētas u. c.
  - (3) Nepakļaujiet akumulatora kasetni ūdens vai lietus iedarbībai.Akumulatora īssavienojums var radīt spēcīgu strāvas plūsmu, pārkarsānu, uzliesmojumu un pat sabojāt akumulatoru.
6. Neglabājiet un neizmantojiet darbarīku un akumulatora kasetni vietās, kur temperatūra var sasniegt vai pārsniegt 50 °C (122 °F).
7. Nededziniet akumulatora kasetni, pat ja tā ir stipri bojāta vai pilnībā nolietota. Akumulatora kasetne ugunī var eksplodēt.
8. Akumulatora kasetni nedrīkst naglot, griezt, saspīest, mest vai nomest, kā arī pa to nedrīkst sist ar cietu priekšmetu. Šādas darbības var izraisīt aizdegšanos, pārmērīgu karstumu vai sprādzienu.
9. Neizmantojiet bojātu akumulatoru.
10. Uz izmantotajiem litiņa jonu akumulatoriem attiecas likumdošanas prasības par bīstamiem izstrādājumiem. Komerציālā transportēšanā, ko veic, piemēram, trešās puses, transporta uzņēmumi, jāievēro uz iesaiņojuma un marķējuma norādītās īpašās prasības. Lai izstrādājumu sagatavotu nosūtīšanai, jāsažinās ar bīstamo materiālu speciālistu. Ievērojiet arī citus attiecināmos valsts normatīvus. Vaļējus kontaktus nosedziet ar līmlenti vai citādi pārklājiet, bet akumulatoru iesaiņojiet tā, lai sānī tas nevarētu izkustēties.
11. Lai izmantotu akumulatora kasetni, izņemiet to no darbarīka un likvidējiet drošā vietā. Ievērojiet vietējos noteikumus par akumulatora likvidēšanu.

12. Izmantojiet šos akumulatorus tikai ar izstrādājumiem, kurus norādījis Makita. Ievietojot šos akumulatorus nesaderīgos izstrādājumos, var rasties ugunsgrēks, pārmērīgs karstums, tie var uzsprāgt vai no tiem var iztecat elektrolīts.
13. Ja darbarīks netiks lietots ilgu laiku, no tā jāizņem akumulators.
14. Lietošanas laikā vai pēc tās akumulatora kasetne var uzkrāt siltumu, kas var izraisīt apdegumus vai zemas temperatūras apdegumus. Ar karstu akumulatora kasetni apejieties rūpīgi.
15. Nepieskarieties darbarīka izvadam uzreiz pēc lietošanas, jo tas var būt sakarsis un izraisīt apdegumus.
16. Neļaujiet akumulatora kasetnes izvadā, atverēs un rievās uzkrāties skaidām, putekļiem vai augsnei. Tādējādi darbarīks vai akumulatora kasetne var sākt darboties nekvalitatīvi vai tikt sabojāti.
17. Neizmantojiet akumulatora kasetni augstsprieguma līniju tuvumā, izņemot gadījumus, kad darbarīks ir piemērots lietošanai augstsprieguma līniju tuvumā. Citādi darbarīks vai akumulatora kasetne var sākt darboties nepareizi vai tikt sabojāti.
18. Glabājiet akumulatoru bērniem nepieejamā vietā.

## SAGLABĀJIET ŠOS NORĀDĪJUMUS.

**⚠UZMANĪBU:** Lietojiet tikai oriģinālos Makita akumulatorus. Ja lietojat neoriģinālus Makita akumulatorus vai pārveidotus akumulatorus, tie var uzsprāgt un izraisīt aizdegšanos, traumas un materiālos zaudējumus. Tīks anulēta arī Makita darbarīka un lādētāja garantija.

## Ieteikumi akumulatora kalpošanas laika pagarināšanai

1. Uzlādējiet akumulatora kasetni, pirms tā ir pilnībā izlādējusies. Vienmēr, kad ievērojat, ka darbarīka darba jauda zudusi, apturiet darbarīku un uzlādējiet akumulatora kasetni.
2. Nekad neuzlādējiet pilnībā uzlādētu akumulatora kasetni. Pārmērīga uzlāde saīsina akumulatora kalpošanas laiku.
3. Uzlādējiet akumulatora kasetni istabas temperatūrā 10 °C - 40 °C. Karstai akumulatora kasetnei pirms uzlādes ļaujiet atdzist.
4. Kad akumulatora kasetne netiek izmantota, izņemiet to no darbarīka vai lādētāja.
5. Uzlādējiet litija jonu akumulatora kasetni, ja to ilgstoši nelietosit (vairāk nekā sešus mēnešus).

## FUNKCIJU APRAKSTS

**⚠UZMANĪBU:** Pirms darbarīka regulēšanas vai tā darbības pārbaudes vienmēr pārliecinieties, ka darbarīks ir izslēgts un akumulatora kasetne ir izņemta.

## Akumulatora kasetnes uzstādīšana un izņemšana

**⚠UZMANĪBU:** Vienmēr pirms akumulatora kasetnes uzstādīšanas vai noņemšanas izslēdziet darbarīku.

**⚠UZMANĪBU:** Uzstādot vai izņemot akumulatora kasetni, darbarīku un akumulatora kasetni turiet cieši. Ja darbarīku un akumulatora kasetni netur cieši, tie var izkrist no rokām un radīt bojājumus darbarīkam un akumulatora kasetnei, kā arī izraisīt ievainojumus.

- **Att. 1:** 1. Sarkanās krāsas indikators 2. Poga 3. Akumulatora kasetne

Lai izņemtu akumulatora kasetni, izvelciet to no darbarīka, pārbīdot kasetnes priekšpusē esošo pogu.

Lai uzstādītu akumulatora kasetni, salāgojiet akumulatora kasetnes mēlīti ar rievu ietvarā un iebīdīd to vietā. Ievietojiet to līdz galam, līdz tā ar klikšķi nokļūst vietā. Ja redzams attēlā parādītais sarkanais krāsas indikators, tas nozīmē, ka tas nav pilnīgi nokļūst.

**⚠UZMANĪBU:** Vienmēr ievietojiet akumulatora kasetni tā, lai sarkanais indikators nebūtu redzams. Pretējā gadījumā tā var nejauši izkrist no darbarīka un izraisīt jums vai apkārtējiem traumas.

**⚠UZMANĪBU:** Neievietojiet akumulatora kasetni ar spēku. Ja kasetne neslīd ietvarā viegli, tā nav pareizi ielikta.

## Darbarīka/akumulatora aizsardzības sistēma

Darbarīkam ir darbarīka/akumulatora aizsardzības sistēma. Šī sistēma automātiski izslēdz strāvas padevi motoram, lai pagarinātu darbarīka un akumulatora darbmūžu. Lietošanas laikā darbarīks automātiski pārstās darboties, ja darbarīku vai akumulatoru pakļaus kādam no šādiem apstākļiem.

### Aizsardzība pret pārslodzi

Ja darbarīku/akumulatoru lieto tā, ka tas patērē pārmērīgi lielu strāvas daudzumu, darbarīks automātiski pārstāj darboties. Šādā gadījumā izslēdziet darbarīku un pārtrauciet darbību, kas izraisīja darbarīka pārslodzi. Pēc tam ieslēdziet darbarīku, lai atsāktu darbu.

### Aizsardzība pret pārkaršanu

Kad akumulators ir pārkaršis, darbarīks automātiski pārstāj darboties. Šādā gadījumā ļaujiet darbarīkam/akumulatoram atdzist pirms vēlreiz to ieslēgt.

### Aizsardzība pret akumulatora pārmērīgu izlādi

Ja akumulatora jaudas līmenis ir zems, darbarīks automātiski pārstāj darboties. Šajā gadījumā akumulatoru izņemiet no darbarīka un uzlādējiet.

## Brīdinājuma indikators

Uz uzspiešanas urbšanas režīma pārslēgta redzamā indikatora lampiņa brīdina, mirgojot sarkanā krāsā, kad darbarīku izmanto tālāk aprakstītajos ekspluatācijas apstākļos.

► **Att.2:** 1. Indikatora lampiņa

Lampiņas statuss	Cēloņi	Risinājumi
Ātra mirgošana (ar aptuv. sekundes trešdaļas intervāliem)	Pazemināts akumulatora uzlādes līmenis	Pēc iespējas drīzāk uzlādējiet akumulatoru.
Lēnāka mirgošana (ar aptuv. sekundes intervāliem)	Pārkaršis	Pirms atkārtotas ieslēgšanas ļaujiet darbarīkam atdzist.















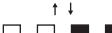

**PIEZĪME:** Atkarībā no akumulatora uzlādes statusa un ekspluatācijas apstākļiem varētu ieslēgties pārmērīgas izlādes brīdinājums.

## Atlikušās akumulatora jaudas indikators

**Tikai akumulatora kasetnēm ar indikatoru**

► **Att.3:** 1. Indikatora lampas 2. Pārbaudes poga

Nospiediet akumulatora kasetnes pārbaudes pogu, lai pārbaudītu akumulatora atlikušo uzlādes līmeni. Indikatoru iedegsies uz dažām sekundēm.

Indikatora lampas			Atlikušā jauda
			
			No 75% līdz 100%
			No 50% līdz 75%
			No 25% līdz 50%
			No 0% līdz 25%
			Uzlādējiet akumulatoru.
			Iespējama akumulatora kļūme.
		↑ ↓	

**PIEZĪME:** Reālā jauda var nedaudz atšķirties no norādītās atkarībā no lietošanas apstākļiem un apkārtējās temperatūras.

**PIEZĪME:** Akumulatora aizsardzības sistēmas darbības laikā mirgo pirmais (kreisais malējais) indikators.

## Uzstādīšana vēlamajam skrūvju garumam

### Modelim DFR452

Darbarīkam var uzstādīt 4 nekustīgās bloķēšanas skrūves garumus. Bīdīet aiztura pamatni uz iekšu un āru, vienlaikus spiežot sviras pie aiztura pamatnes augšējās virsmas, līdz nolasāmajā lodziņā ir redzams vēlamā skrūvju garuma skaitlis (norādīts uz uzlīmes). Lai uzzinātu vairāk par jūsu vēlamajiem skrūvju garumiem piešķirtajiem skaitļiem, skatiet tālāko tabulu.

► **Att.4:** 1. Aiztura pamatne 2. Svira 3. Plāksne 4. Ietvars

Uz uzlīmes norādītie skaitļi	Skrūvju garuma diapazons
20	20 mm (3/4")
25	25 mm–28 mm (1"-1-1/8")
32	28 mm–35 mm (1-1/8"-1-3/8")
41	35 mm–41 mm (1-3/8"-1-5/8")

### Modelim DFR551

Darbarīkam var uzstādīt 7 nekustīgās bloķēšanas skrūves garumus. Bīdīet aiztura pamatni uz iekšu un āru, vienlaikus spiežot sviras pie aiztura pamatnes augšējās virsmas, līdz nolasāmajā lodziņā ir redzams vēlamā skrūvju garuma skaitlis (norādīts uz uzlīmes). Lai uzzinātu vairāk par jūsu vēlamajiem skrūvju garumiem piešķirtajiem skaitļiem, skatiet tālāko tabulu.

► **Att.5:** 1. Aiztura pamatne 2. Svira 3. Plāksne 4. Ietvars

Uz uzlīmes norādītie skaitļi	Skrūvju garuma diapazons
25	25 mm (1")
30	25 mm–30 mm (1"-1-3/16")
35	30 mm–35 mm (1-3/16"-1-3/8")
40	35 mm–40 mm (1-3/8"-1-9/16")
45	40 mm–45 mm (1-9/16"-1-3/4")
50	45 mm–50 mm (1-3/4"-2")
55	50 mm–55 mm (2"-2-3/16")

## Skrūvēšanas dziļumu regulēšana

Piespiediet aiztura pamatnes priekšpusi un maksimāli dziļi piespiediet padeves ieliktni korpusā. Turot to nospiestu šādā pozīcijā, pagrieziet regulēšanas ciparripu tā, lai skrūvgrieža uzgalis izvirsītos pāri aiztura pamatnes priekšpusei par aptuveni 6 mm.

Ieskrūvējiet pārbaudes skrūvi. Ja skrūves galviņa izvirsīs virs apstrādājamās virsmas, pagrieziet regulēšanas ciparripu A virzienā; ja skrūves galviņa atrodas zemāk par virsmu, pagrieziet regulēšanas ciparripu B virzienā.

► **Att.6:** 1. Aptuv. 6 mm 2. Aiztura pamatne 3. Padeves ieliktnis 4. Ietvars 5. Regulēšanas ciparripa



## Slēdža darbība

**▲BRĪDINĀJUMS:** Pirms akumulatora kasetnes uzstādīšanas darbarīkā vienmēr pārbaudiet, vai slēdža mēlīte darbojas pareizi un pēc atlaišanas atgriežas stāvoklī „OFF” (Izslēgts).

Lai ieslēgtu darbarīku, nospiediet slēdža mēlīti. Darbarīka ātrumu palielina, pastiprinot spiedienu uz slēdža mēlīti. Lai apturētu darbarīku, atļaidiet slēdža mēlīti. Lai darbarīks darbotos nepārtraukti, nospiediet slēdža mēlīti un iespiediet bloķēšanas pogu, pēc tam atļaidiet mēlīti. Lai apturētu darbarīku, kad slēdzis ir bloķēts, nospiediet slēdža mēlīti līdz galam, tad atļaidiet to.

► **Att.7:** 1. Slēdža mēlīte 2. Bloķēšanas poga

## Griešanās virziena pārslēdzēja darbība

**▲UZMANĪBU:** Pirms sākat strādāt, vienmēr pārbaudiet griešanās virzienu.

**▲UZMANĪBU:** Izmantojiet griešanās virziena pārslēdzēju tikai pēc darbarīka pilnīgas apstāšanās. Griešanās virziena maiņa pirms darbarīka pilnīgas apstāšanās var to sabojāt.

**▲UZMANĪBU:** Kamēr darbarīks netiek izmantots, vienmēr uzstādiat griešanās virziena pārslēdzēja sviru neitrālajā stāvoklī.

Šis darbarīks ir aprīkots ar pārslēdzēju, kas ļauj mainīt griešanās virzienu. Nospiediet griešanās virziena pārslēdzēja sviru no „A” puses rotācijai pulksteņrādītāja kustības virzienā vai no „B” puses rotācijai pretēji pulksteņrādītāja kustības virzienam. Ja griešanās virziena pārslēdzēja svira atrodas neitrālajā stāvoklī, slēdža mēlīti nevar nospiegt.

► **Att.8:** 1. Griešanās virziena pārslēdzēja svira

## Uzspiešanas urbšanas režīms

Uzspiešanas urbšanas režīmā skrūvgrieža uzgalis griežīsies, tikai uzspiežot uz skrūvējamās virsmas ar aiztura pamatni, tādējādi tiek taupīta akumulatora jauda, jo tukšgaitā darbarīks automātiski izslēdz strāvas padevi motoram.

Lai atlasītu uzspiešanas urbšanas režīmu, nedaudz nospiediet slēdža mēlīti, tad atļaidiet to un ātri nospiediet režīma atlasīšanas pogu. Tad iedegsies uzspiešanas urbšanas režīma pārslēgta redzamā indikatora lampiņa.

► **Att.9:** 1. Režīma atlasīšanas poga 2. Indikatora lampiņa

**PIEZĪME:** Uzspiešanas urbšanas režīms automātiski tiks deaktivizēts pēc tam, kad astoņas stundas bjuisi nobloķēta slēdža mēlīte un slēdzis nav bijis nospiests. Lai atkal iedarbinātu darbarīku, līdz galam nospiediet slēdža mēlīti, tādējādi atbrīvojot bloķēšanas pogu, tad vēlreiz nospiediet mēlīti.

## MONTĀŽA

**▲UZMANĪBU:** Pirms darbarīka regulēšanas vai apkopes vienmēr pārliecinieties, ka darbarīks ir izslēgts un akumulatora kasetne ir izņemta.

## Skrūvgrieža uzgaļa noņemšana un uzlikšana

**▲UZMANĪBU:** Noņemot un uzliekot darbarīka detaļas un piederumus, nepieskarieties skrūvju asajām malām.

**▲UZMANĪBU:** Piesardzīgi apejieties ar darbarīka piederumiem vai papildierīcēm. Uzstādot un noņemot darbarīka piederumus un papildierīces, cieši tos satveriet, lai tie nenokristu vai neizslīdētu no rokām.

1. Turiet nospiešanas atbrīvošanas pogas abās korpusa pusēs un tad atvelciet korpusu.  
► **Att.10:** 1. Atlaišanas pogas 2. Korpusi
2. Lai atvienotu skrūvgrieža uzgali, velciet to, vienlaikus turot nospiešanu vārpstu ierīces korpusā.  
► **Att.11:** 1. Skrūvgrieža uzgalis 2. Vārpsta 3. Ierīces korpusi
3. Lai uzstādītu skrūvgrieža uzgali, pēc iespējas dziļāk ievietojiet to vārpstas atverē, vienlaikus turot nospiešanu vārpstu ierīces korpusā. Tad atļaidiet vārpstu, lai nostiprinātu skrūvgrieža uzgali.
4. Uzlieciet korpusu atpakaļ uz ierīces korpusa, cieši turot to, līdz abas atlaišanas pogas korpusa malās nofiksējas savās vietās.

## Lentā savienotu skrūvju uzstādīšana

Ievietojiet lentā savienotās skrūves caur skrūvju vadīkli. Pēc tam to ievietojiet caur padeves ieliktni, līdz pirmā skrūve atrodas stāvoklī, kas ir blakus skrūvēšanas stāvoklim.

► **Att.12:** 1. Lentē savienotas skrūves 2. Lentē savienotu skrūvju vadīkla 3. Korpusi 4. Skrūvju padeves vadīkla 5. Padeves ieliktnis

**IEVĒRĪBAI:** Gādājiet, lai otrās rindas pirmā skrūve atrastos blakus skrūvēšanas stāvoklim.

► **Att.13:** 1. Pirmā skrūve 2. Skrūvēšanas stāvoklis

## Lentā savienotu skrūvju noņemšana

Lai noņemtu lentē savienotas skrūves, velciet lenti ārā no padeves ieliktna.

► **Att.14**

Lentē savienotas skrūves var caur apakšu izvilkst no padeves ieliktna, turot nospiešanu uz tā atrodamo virziena maiņas pogu.

► **Att.15:** 1. Pretējā virziena poga 2. Padeves ieliktnis

## Āķa uzstādīšana

**⚠UZMANĪBU:** Uzstādot āķi, vienmēr cieši pietipriniet to ar skrūvi. Citādi āķis var atdalīties no darbarīka, izraisot traumu.

► **Att.16:** 1. Rieva 2. Āķis 3. Skrūve

Āķis ir noderīgs, ja darbarīks uz kādu laiku ir jāpakar. To var uzstādīt jebkurā darbarīka pusē. Lai uzstādītu āķi, ievietojiet to rievā jebkurā darbarīka korpusa pusē, un tad ar skrūvi pieskrūvējiet. Lai to izņemtu, atļaidiet skrūvi un izņemiet.

## EKSPLUATĀCIJA

### Skrūvēšana

**IEVĒRĪBAI:** Pirms skrūvēšanas darbībām vienmēr uzmanīgi pārbaudiet skrūvgrieža uzgali, lai saprastu, vai tas nav nodilis. Nomainiet nodilušo skrūvgrieža uzgali, jo pretējā gadījumā stiprinājums būs pārāk mazs.

**IEVĒRĪBAI:** Vienmēr turiet darbarīku paralēli skrūvējamajai virsmai. Turot to leņķī, skrūves galviņas var tikt sabojātas un skrūvgrieža uzgali var nodilt. Rezultātā arī stiprinājums var būt pārāk mazs.

**IEVĒRĪBAI:** Vienmēr stingri turiet darbarīku pret skrūvējamo virsmu, līdz skrūvēšana ir pabeigta. Ja šādi nerīkosieties, skrūves var nebūt pietiekami cieši pieskrūvētas.

**IEVĒRĪBAI:** Uzmanieties, lai neuzskrūvētu skrūvi virsū citai pieskrūvētai skrūvei.

**IEVĒRĪBAI:** Nedarbiniet darbarīku, ja tajā nav skrūvju. Rezultātā skrūvējamā virsma būs bojāta.

**IEVĒRĪBAI:** Ja, skrūvējot skrūves, padeves ieliktnis nedarbojas vienmērīgi, uz tā virzošajām virsmām izsmidziniet automašīnu vasku (aerosola veida vasku). Nekad neeļļojiet to.

Iedarbiniet darbarīku, pavelkot slēdža mēlīti. Turiet darbarīku paralēli un tieši pret skrūvējamajai virsmai. Skrūve tiks automātiski novietota skrūvēšanas stāvoklī un ieskrūvēta.

► **Att.17**

### Skrūvēšana uzspiešanas urbšanas režīmā

1. Viegli pavelciet slēdža mēlīti, tad to atļaidiet. Pēc tam ātri nospiediet režīma atlasīšanas pogu.

Tad iedegas uz uzspiešanas urbšanas režīma pārslēgta redzamā indikatora lampiņa un ieslēdzas uzspiešanas urbšanas režīms.

► **Att.18:** 1. Režīma atlasīšanas poga 2. Indikatora lampiņa

2. Nospiediet slēdža mēlīti, tad nospiediet bloķēšanas pogu un visbeidzot – atļaidiet slēdža mēlīti.

► **Att.19:** 1. Bloķēšanas poga 2. Slēdža mēlīte

**PIEZĪME:** Atlasot uzspiešanas urbšanas režīmu un nobloķējot mēlīti, motors negriežas, kamēr darbarīks ir bez slodzes, lai mazinātu strāvas patēriņu.

3. Turiet darbarīku paralēli skrūvējamajai virsmai un uzspiediet uz darbarīka virzienā uz priekšu.

Skrūve tiks automātiski novietota skrūvēšanas stāvoklī un ieskrūvēta ar maksimāliem apgriezieniem.

► **Att.20**

### Skrūvēšana stūrī

**⚠UZMANĪBU:** Skrūvējot stāvoklī, kas ir tuvāk par 15 mm no sienas, vai skrūvējot, kad aiztura pamatne pieskaras sienai, skrūves galviņas var sabojāt un skrūvgrieža uzgali var nodilt. Rezultātā arī skrūvju stiprinājums var būt pārāk mazs, un darbarīks var sabojāties.

Šo darbarīku var izmantot skrūvēšanai 15 mm attālumā no sienas, kā atļēlots zīmējumā.

► **Att.21:** 1. Siena 2. Aiztura pamatne 3. 15 mm

### Atskrūvēšana

**⚠UZMANĪBU:** Pirms sākat strādāt, vienmēr pārbaudiet griešanās virzienu.

**⚠UZMANĪBU:** Izmantojiet griešanās virziena pārslēdzēju tikai pēc darbarīka pilnīgas apstāšanās. Griešanās virziena maiņa pirms darbarīka pilnīgas apstāšanās var to sabojāt.

Šim darbarīkam var viegli mainīt skrūvgrieža uzgaļa griešanās virzienu – vai nu griešanai uz labo pusi (pulksteņrādītāju kustības virzienā), lai pievilktu skrūvi, vai uz kreiso pusi (pretēji pulksteņrādītāju kustības virzienam), lai atbrīvotu skrūvi.

1. Nospiediet griešanās virziena pārslēdzēja sviru no B puses, lai izvēlētos griešanos pretēji pulksteņrādītāju kustības virzienam.

► **Att.22:** 1. Griešanās virziena pārslēdzēja svira

2. Turiet nospiešanas atbrīvošanas pogas abās korpusa pusēs un tad atvelciet korpusu.

► **Att.23:** 1. Atlaišanas poga 2. Korpus

3. Ievietojiet skrūvgrieža uzgaļa galiņu atskrūvējamās skrūves galviņā.

4. Cieši piespiediet darbarīku pret skrūvi un nospiediet slēdža mēlīti, lai iedarbinātu darbarīku.

► **Att.24:** 1. Skrūvgrieža uzgali 2. Skrūvju galviņas 3. Slēdža mēlīte

5. Kad beidzat izmantot darbarīku, uzlieciet korpusu atpakaļ uz ierīces korpusa, līdz tas nokļūst savā vietā.

# APKOPE

**⚠ UZMANĪBU:** Pirms darbarīka pārbaudes vai apkopes vienmēr pārlicinieties, ka darbarīks ir izslēgts un akumulatora kasetne ir izņemta.

**IEVĒRĪBAI:** Nekad neizmantojiet gazolīnu, benzīnu, atšķaidītāju, spirtu vai līdzīgus šķidrumus. Tas var radīt izbalēšanu, deformāciju vai plaisas.

Lai saglabātu izstrādājuma DROŠU un UZTICAMU darbību, remontdarbus, apkopi un regulēšanu uzticiet veikt tikai Makita pilnvarotam vai rūpnīcas apkopes centram, un vienmēr izmantojiet tikai Makita rezerves daļas.

## Pēc lietošanas

Periodiski noslaukiet darbarīku ar sausu drānu vai ziepjūdeni viegli samitrinātu drānu.

# PAPILDU PIEDERUMI

**⚠ UZMANĪBU:** Šādi piederumi un papildierīces tiek ieteiktas lietošanai ar šajā rokasgrāmatā aprakstīto Makita darbarīku. Izmantojot citus piederumus vai papildierīces, var tikt radīta trauma gūšanas bīstamība. Piederumu vai papildierīci izmantojiet tikai paredzētajam mērķim.

Ja jums vajadzīga palīdzība vai precīzāka informācija par šiem piederumiem, vērsieties savā tuvākajā Makita apkopes centrā.

- Lentā savienotas skrūves sausam mūrī
- Krustveidīgs uzgalis
- Kvadrātveida uzgalis
- Pozidriv uzgalis
- Padeves ieliktnis
- Korpuss
- Makita oriģinālais akumulators un lādētājs

**PIEZĪME:** Daži sarakstā norādītie izstrādājumi var būt iekļauti instrumenta komplektācijā kā standarta piederumi. Tie dažādās valstīs var būt atšķirīgi.

## SPECIFIKACIJOS

Modelis:	DFR452	DFR551
Nustatomoji plokštė	ø3,5 mm x 20 mm–ø4,2 mm x 41 mm	ø3,5 mm x 25 mm–ø4,2 mm x 55 mm
Greitis be apkrovos (sūk./min.)	0–6 000 min <sup>-1</sup>	
Bendrasis ilgis	360 mm	396 mm
Vardinė įtampa	Nuol. sr. 18 V	
Grynasis svoris	1,9–2,2 kg	

- Atliekame tęstinus tyrimus ir nuolatos tobuliname savo gaminius, todėl čia pateikiamos specifikacijos gali būti keičiamos be įspėjimo.
- Skirtingose šalyse specifikacijos gali skirtis.
- Svoris gali priklausyti nuo priedo (-ų), įskaitant akumuliatoriaus kasetę. Lengviausias ir sunkiausias deriniai pagal EPTA 2014 m. sausio mėn. procedūrą yra parodyti lentelėje.

## Tinkama akumuliatoriaus kasetė ir (arba) įkroviklis

Akumuliatoriaus kasetė	BL1815N / BL1820B / BL1830B / BL1840B / BL1850B / BL1860B
Įkroviklis	DC18RC / DC18RD / DC18RE / DC18SD / DC18SE / DC18SF / DC18SH

- Atsižvelgiant į gyvenamosios vietos regioną, kai kurios pirmiau nurodytos akumuliatoriaus kasetės ir įkrovikliai gali būti neprieinami.

**⚠️ JSPĖJIMAS:** Naudokite tik akumuliatoriaus kasetes ir įkroviklius, kurie nurodyti anksčiau. Naudojant bet kurias kitas akumuliatoriaus kasetes ir įkroviklius, gali kilti sužeidimo ir gaisro pavojus.

## Numatytoji naudojimo paskirtis

Įrankis yra skirtas sraigtams sukuti į medį, metalą ir plastiką.

## Triukšmas

Įprastas triukšmo A lygis, nustatytas pagal EN62841-2-2:

**Modelis DFR452**

Garso slėgio lygis ( $L_{pA}$ ): 75 dB (A)

Paklaida (K): 3 dB (A)

**Modelis DFR551**

Garso slėgio lygis ( $L_{pA}$ ): 74 dB (A)

Paklaida (K): 3 dB (A)

Dirbant triukšmo lygis gali viršyti 80 dB (A).

**PASTABA:** Paskelbta (-os) triukšmo reikšmė (-ės) nustatyta (-os) pagal standartinį testavimo metodą ir jį galima naudoti vienam įrankiui palyginti su kitu.

**PASTABA:** Paskelbta (-os) triukšmo reikšmė (-ės) taip pat gali būti naudojama (-os) norint preliminariai įvertinti triukšmo poveikį.

**⚠️ JSPĖJIMAS:** Dėvėkite ausų apsaugą.

**⚠️ JSPĖJIMAS:** Faktiškai naudojant elektrinį įrankį, keliamo triukšmo dydis gali skirtis nuo paskelbtos (-ų) reikšmės (-ių), priklausomai nuo būdų, kuriais yra naudojamas šis įrankis, ir ypač nuo to, kokio tipo ruošinys apdirbamas.

**⚠️ JSPĖJIMAS:** Siekdami apsaugoti operatorių, būtinai įvertinkite saugos priemones, remdamiesi vibracijos poveikio įvertinimu esant faktinėms naudojimo sąlygoms (atsižvelgdami į visas darbo ciklo dalis, pavyzdžiui, ne tik kiek laiko įrankis veikia, bet ir kiek kartų jis yra išjungiamas bei kai jis veikia be apkrovų).

## Vibracija

Vibracijos bendroji vertė (triaušio vektorius suma) nustatyta pagal EN62841-2-2 standartą:

**Modelis DFR452**

Darbo režimas: sraigtų sukimas be smūgių  
Vibracijos emisija ( $a_{hv}$ ): 2,5 m/s<sup>2</sup> arba mažiau  
Paklaida (K): 1,5 m/s<sup>2</sup>

**Modelis DFR551**

Darbo režimas: sraigtų sukimas be smūgių  
Vibracijos emisija ( $a_{hv}$ ): 2,5 m/s<sup>2</sup> arba mažiau  
Paklaida (K): 1,5 m/s<sup>2</sup>

**PASTABA:** Paskelbta (-os) vibracijos bendroji (-osios) reikšmė (-ės) nustatyta (-os) pagal standartinį testavimo metodą ir jį galima naudoti vienam įrankiui palyginti su kitu.

**PASTABA:** Paskelbta (-os) vibracijos bendroji (-osios) reikšmė (-ės) taip pat gali būti naudojama (-os) norint preliminariai įvertinti vibracijos poveikį.

**⚠️ JSPĖJIMAS:** Faktiškai naudojant elektrinį įrankį, keliamos vibracijos dydis gali skirtis nuo paskelbtos (-ų) reikšmės (-ių), priklausomai nuo būdų, kuriais yra naudojamas šis įrankis, ir ypač nuo to, kokio tipo ruošinys apdirbamas.

**⚠️ JSPĖJIMAS:** Siekdami apsaugoti operatorių, būtinai įvertinkite saugos priemones, remdamiesi vibracijos poveikio įvertinimu esant faktinėms naudojimo sąlygoms (atsižvelgdami į visas darbo ciklo dalis, pavyzdžiui, ne tik kiek laiko įrankis veikia, bet ir kiek kartų jis yra išjungiamas bei kai jis veikia be apkrovų).

## EB atitikties deklaracija

*Tik Europos šalis*

EB atitikties deklaracija yra pridedama kaip šio instrukcijų vadovo A priedas.

## SAUGOS ĮSPĖJIMAI

### Bendrieji įspėjimai dirbant elektriniais įrankiais

**▲ ĮSPĖJIMAS:** Perskaitykite visus saugos įspėjimus, instrukcijas, iliustracijas ir techninius duomenis, pateiktus kartu su šiuo elektriniu įrankiu. Nesilaikant visų toliau išvardytų instrukcijų galima patirti elektros smūgi, gali kilti gaisras ir (arba) galima sunkiai susižaloti.

### Išsaugokite visus įspėjimus ir instrukcijas, kad galėtumėte jas peržiūrėti ateityje.

Terminas „elektrinis įrankis“ pateiktuose įspėjimuose reiškia į maitinimo tinklą jungiamą (laidinį) elektrinį įrankį arba akumuliatoriaus maitinamą (belaidį) elektrinį įrankį.

### Belaidžio atsuktuvo saugos įspėjimai

1. **Atlikdami darbus, kurių metu tvirtinimo detalė gali paliesti paslėptus laidus, laikykite elektrinį įrankį tik už izoliuotų, laikyti skirtų paviršių.** Jei tvirtinimo detalės palies laidą su įtampa, elektrinio įrankio metalinės dalys taip pat gali tapti su įtampa, todėl operatorius gali patirti elektros šoką.
2. **Visuomet užtikrinkite, kad pagrindas būtų tvirtas.** Įsitikinkite, kad nieko nėra apačioje, kai įrankį naudojate aukštyje.
3. **Tvirtai laikykite įrankį.**
4. **Patraukite rankas nuo besisukančių dalių.**
5. **Nelieskite antgalio arba ruošinio iškart po naudojimo; jie gali būti itin karšti ir nudeginti odą.**
6. **Visada pritvirtinkite ruošinį spaustuvuose arba panašiam prilaikymo prietaisui.**
7. **Įsitikinkite, kad nėra jokių elektros laidų, vandentiekio vamzdžių, dujų vamzdžių ir pan., kuriuos pažeidus įrankiu gali kilti pavojus.**

### SAUGOKITE ŠIAS INSTRUKCIJAS.

**▲ ĮSPĖJIMAS:** NELEISKITE, kad patogumas ir gaminio pažinimas (įgyjamas pakartotinai naudojant) susilpnintų griežtą saugos taisyklių, taikytinų šiam gaminiui, laikymąsi.

Dėl NETINKAMO NAUDOJIMO arba saugos taisyklių, kurios pateiktos šioje instrukcijoje, nesilaikymo galima rimtai susižeisti.

## Svarbios saugos instrukcijos, taikomos akumuliatoriaus kasetei

1. **Prieš naudodami akumuliatoriaus kasetę, perskaitykite visas instrukcijas ir perspėjimus ant (1) akumuliatorių įkroviklio, (2) akumuliatorių ir (3) akumuliatorių naudojančio gaminio.**
  2. **Neardykite ir negadinkite akumuliatoriaus kasetės.** Dėl to ji gali užsidegti, per daug įkaisti arba sprogti.
  3. **Jeį įrankio darbo laikas žymiai sutrumpėjo, nedelsdami nutraukite darbą su įrankiu.** Tai gali kelti perkaitimo, nudegimų ar net sprogdimo pavojų.
  4. **Jeį elektrolitas pateko į akis, plaukite jas tyru vandeniu ir nedelsdami kreipkitės į gydytoją.** Gali kilti regėjimo praradimo pavojus.
  5. **Neužtrumpinkite akumuliatoriaus kasetės:**
    - (1) **Nelieskite kontaktų degiomis medžiagomis.**
    - (2) **Venkite laikyti akumuliatoriaus kasetę kartu su kitais metaliniais daiktai, pavyzdžiui, vinimis, monetomis ir pan.**
    - (3) **Saugokite akumuliatoriaus kasetę nuo vandens ir lietaus.**
- Trumpasis jungimas akumuliatoriuje gali sukelti stiprią srovę, perkaitimą, galimus nudegimus ar net akumuliatoriaus gedimą.
6. **Nelaikykite ir nenaudokite įrankio ir akumuliatoriaus kasetės vietose, kur temperatūra gali pasiekti ar viršyti 50 °C (122 °F).**
  7. **Nedeginkite akumuliatoriaus kasetės, net jei yra stipriai pažeista ar visiškai susidėvėjusi.** Ugnyje akumuliatoriaus kasetė gali sprogti.
  8. **Akumuliatoriaus kasetės nekalkite, nepjauskykite ir nemėtykite ir taip pat į ją netrąnkinkite kietu daiktu.** Taip elgiantis, ji gali užsidegti, per daug įkaisti arba sprogti.
  9. **Nenaudokite pažeisto akumuliatoriaus.**
  10. **Įdėtoms ličio jonų akumuliatoriams taikomi Pavojingų prekių teisės akto reikalavimai.** Komeracinis transportas, pvz., trečiųjų šalių, prekių vežimo atstovų, turi laikytis specialaus reikalavimo ant pakuotės ir ženklavimo. Norėdami paruošti siųstiną prekę, pasitarkite su pavojingų medžiagų specialistu. Be to, laikykitės galimai išsamesnių nacionalinių reglamentų. Užklijuokite juosta arba padenkite atvirus kontaktus ir supakuokite akumuliatorių taip, kad ji pakuotėje nejudėtų.
  11. **Kai išmetate akumuliatoriaus kasetę, išimkite ją iš įrankio ir išmeskite saugioje vietoje.** Vadovaukitės vietos reglamentais dėl akumuliatorių išmetimo.
  12. **Baterijas naudokite tik su „Makita“ nurodytais gaminiais.** Baterijas įdėjus į netinkamus gaminius gali kilti gaisras, gaminyje pernelyg įkaisti, kilti sprogdimas arba pratekėti elektrolitas.
  13. **Jeį įrankis bus ilgą laiką nenaudojamas, akumuliatorių būtina išimti iš įrankio.**

14. Darbo metu ir po akumulatoriaus kasetė gali būti įkaitusi ir dėl to nudeginti. Imdami akumulatoriaus kasetes, būkite atsargūs.
15. Tuojau pat po naudojimo nelieskite įrankio gnybtų, nes jie gali būti įkaitę tiek, kad nudegins.
16. Neleiskite, kad į akumulatoriaus kasetės gnybtus, angas ir griovelius patektų drožlių, dulkių ar žemių. Dėl to įrankis ar akumulatoriaus kasetė gali imti prastai veikti ar sugesti.
17. Jeigu įrankis nėra pritaikytas naudoti šalia aukštos įtampos elektros linijų, akumulatoriaus kasetės nenaudokite šalia aukštos įtampos elektros linijų. Dėl to gali sutrikti įrankio ar akumulatoriaus kasetės veikimas arba jie gali sugesti.
18. Laikykite akumuliatorių vaikams nepasiekiamoje vietoje.

## SAUGOKITE ŠIAS INSTRUKCIJAS.

**▲PERSPĖJIMAS:** Naudokite tik originalų „Makita“ akumuliatorių. Neoriginalaus „Makita“ arba pakeisto akumulatoriaus naudojimas gali nulemti gaisrą, asmens sužalojimą ir pažeidimą. Tai taip pat panaikina „Makita“ suteikiamą „Makita“ įrankio ir įkroviklio garantiją.

## Patarimai, ką daryti, kad akumulatorius veiktų kuo ilgiau

1. Pakraukite akumulatoriaus kasetę prieš ją visiškai išsikraunant. Visuomet nustokite naudoti įrankį ir pakraukite akumulatoriaus kasetę, kai pastebite, kad įrankio galia sumažėjo.
2. Niekada nekraukite iki galo įkrautos akumulatoriaus kasetės. Perkraunant trumpėja akumulatoriaus eksploatacijos laikas.
3. Akumulatoriaus kasetę kraukite esant kambario temperatūrai 10 - 40 °C. Prieš pradėdami krauti, leiskite įkaitusiai akumulatoriaus kasetei atvėsti.
4. Kai akumulatoriaus kasetės nenaudojate, ją išimkite iš įrankio ar įkroviklio.
5. Įkraukite akumulatoriaus kasetę, jei jos nenaudojate ilgą laiką (ilgiau nei šešis mėnesius).

## VEIKIMO APRAŠYMAS

**▲PERSPĖJIMAS:** Prieš pradėdami reguliuoti arba tikrinti įrankio veikimą, visuomet būtinai išjunkite įrankį ir išimkite akumulatoriaus kasetę.

## Akumulatoriaus kasetės uždėjimas ir nuėmimas

**▲PERSPĖJIMAS:** Prieš įdėdami arba išimdami akumulatoriaus kasetę, visada išjunkite įrankį.

**▲PERSPĖJIMAS:** Įdėdami arba išimdami akumulatoriaus kasetę, tvirtai laikykite įrankį ir akumulatoriaus kasetę. Jeigu įrankį ir akumulatoriaus kasetę laikysite netvirtai, jie gali išslisti iš jūsų rankų, todėl įrankis ir akumulatoriaus kasetė gali būti sugadinti, o naudotojas sužalotas.

- **Pav.1:** 1. Raudonas sandariklis (indikatorius) 2. Mygtukas 3. Akumulatoriaus kasetė

Jei norite išimti akumulatoriaus kasetę, ištraukite ją iš įrankio, stumdami mygtuką, esantį kasetės priekyje.

Jei norite įdėti akumulatoriaus kasetę, ant akumulatoriaus kasetės esantį liežuvelį sutapdinkite su korpuse esančiu grioveliu ir įstumkite jį į skirtą vietą. Įstatykite iki pat galo, kad spragtelėdama užsifiksuotų. Jeigu matote raudoną sandariklį (indikatorių), kaip parodyta paveikslėlyje, ji nėra visiškai užfiksuota.

**▲PERSPĖJIMAS:** Akumulatoriaus kasetę visada įkiškite iki galo, kol nebematysite raudono sandariklio (indikatoriaus) Priešingu atveju ji gali atsitiktinai iškristi iš įrankio ir sužeisti jus arba aplinkinius.

**▲PERSPĖJIMAS:** Nekiškite akumulatoriaus kasetės jėga. Jeigu kasetė sunkiai lenda, ją kiškite netinkamai.

## Įrankio / akumulatoriaus apsaugos sistema

Įrankyje įrengta įrankio / akumulatoriaus apsaugos sistema. Ši sistema automatiškai atjungia variklio maitinimą, kad įrankis ir akumulatorius ilgiau veiktų. Įrankis automatiškai išsijungs darbo metu esant vienai iš toliau nurodytų įrankio arba akumulatoriaus darbo sąlygų:

### Apsauga nuo perkrovos

Kai įrankis / akumulatorius naudojamas taip, kad neįprastai padidėja elektros srovė, įrankis automatiškai išsijungia. Tokiu atveju atleiskite įrankio gaiduką ir nutraukite darbą, dėl kurio kilo įrankio perkrova. Tada vėl įjunkite įrankį.

### Apsauga nuo perkaitimo

Kai įrankis / akumulatorius perkaista, įrankis automatiškai išsijungia. Esant šiai situacijai, leiskite įrankiui / akumulatoriui atvėsti, prieš vėl jį jungdami.

### Apsauga nuo visiško išsekimo

Kai akumulatoriaus įkrovos lygis nepakankamas, įrankis automatiškai išsijungia. Tokiu atveju ištraukite akumuliatorių iš įrankio ir įkraukite jį.

## Īspējimo indikatorius

Kai jrankis veikia toliau nurodytomis darbo sąlygomis, ant spaudžiamojo tipo pavaros režimo išrinktiklio esanti indikatoriaus lemputė ĩspėja pradėdama mirksėti raudonai.

► **Pav.2:** 1. Indikatoriaus lemputė

Lemputės būsena	Priežastys	Ištaisomosios priemonės
Greitai mirksi (maždaug vienos trečiosios sekundės intervalais)	Baterija išsikrauna	Kai tik turėsite galimybę, įkraukite akumuliatorių.
Uždelstas mirksėjimas (maždaug sekundės intervalais)	Perkaito	Palaukite, kol jrankis atvės, prieš vėl jį įjungdami.

**PASTABA:** Priklausomai nuo akumulatoriaus būsenos ir darbo sąlygų gali atsirasti per didelį išsikrovimą rodantis indikatorius.

## Likusios akumulatoriaus galios rodymas

**Tik akumulatoriaus kasetėms su indikatoriumi**

► **Pav.3:** 1. Indikatorijų lemputės 2. Tikrinimo mygtukas

Paspauskite akumulatoriaus kasetės tikrinimo mygtuką, kad būtų rodoma likusi akumulatoriaus energija. Maždaug trims sekundėms užsidegs indikatorius lemputės.

Indikatorijų lemputės			Likusi galia
Šviečia	Nešviečia	Blyksi	
■	□	▬	75 - 100 %
■ ■ ■ ■			
■ ■ ■ □			50 - 75 %
■ ■ □ □			25 - 50 %
■ □ □ □			0 - 25 %
▬ □ □ □			Įkraukite akumuliatorių.
■ ■ □ □			Galimai įvyko akumulatoriaus veikimo triktis.
□ □ ■ ■			

**PASTABA:** Rodmuo gali šiek tiek skirtis nuo faktinės energijos lygio – tai priklauso nuo naudojimo sąlygų ir aplinkos temperatūros.

**PASTABA:** Veikiant akumulatoriaus apsaugos sistemai ims mirksėti pirmoji (toliausiai kairėje) indikatoriaus lemputė.

## Norimų varžto ilgių nustatymas

**Taikoma modeliui DFR452**

Įrankyje yra 4 teigiami fiksuojami varžto ilgio nustatymai. Slinkite stabdiklio pagrindą pirmyn ir atgal, tuo pačiu metu spausdami svirtelės ant stabdiklio pagrindo viršutinio paviršiaus taip, kad stebėjimo langelyje atsirastų norimo varžto ilgio numeris (nurodytas etiketėje). Išsamios informacijos apie norimiems varžtų ilgiams priskirtus numerius žr. tolesnėje lentelėje.

► **Pav.4:** 1. Stabdiklio pagrindas 2. Svirtelė 3. Ploktė 4. Gaubtas

Etiketėje nurodyti numeriai	Varžto ilgio intervalai
20	20 mm (3/4")
25	25 mm–28 mm (1"-1-1/8")
32	28 mm–35 mm (1-1/8"-1-3/8")
41	35 mm–41 mm (1-3/8"-1-5/8")

**Taikoma modeliui DFR551**

Įrankyje yra 7 teigiami fiksuojami varžto ilgio nustatymai. Slinkite stabdiklio pagrindą pirmyn ir atgal, tuo pačiu metu spausdami svirtelės ant stabdiklio pagrindo viršutinio paviršiaus taip, kad stebėjimo langelyje atsirastų norimo varžto ilgio numeris (nurodytas etiketėje). Išsamios informacijos apie norimiems varžtų ilgiams priskirtus numerius žr. tolesnėje lentelėje.

► **Pav.5:** 1. Stabdiklio pagrindas 2. Svirtelė 3. Ploktė 4. Gaubtas

Etiketėje nurodyti numeriai	Varžto ilgio intervalai
25	25 mm (1")
30	25 mm–30 mm (1"-1-3/16")
35	30 mm–35 mm (1-3/16"-1-3/8")
40	35 mm–40 mm (1-3/8"-1-9/16")
45	40 mm–45 mm (1-9/16"-1-3/4")
50	45 mm–50 mm (1-3/4"-2")
55	50 mm–55 mm (2"-2-3/16")

## Sukimo gylio reguliavimas

Paspauskite priekinį stabdiklio pagrindo paviršių ir laikykite tiktuvu dėžutę nukreiptą žemyn į korpusą stumdami iki galo. Laikydami toje padėtyje, sukite reguliavimo ratuką, kad suktuvo galvutės galiukas išlįstų maždaug 6 mm iš stabdiklio pagrindo priekinio paviršiaus.

Įsukite bandomąjį varžtą. Jeigu varžto galvutė išsikiša virš ruošinio paviršiaus, pasukite reguliavimo ratuką A kryptimi; jeigu varžto galvutė yra giliai įsukta į paviršių, sukite reguliavimo ratuką B kryptimi.

► **Pav.6:** 1. Maždaug 6 mm 2. Stabdiklio pagrindas 3. Tiktuvu dėžutė 4. Gaubtas 5. Reguliavimo ratukas

## Jungiklio veikimas

**⚠ PERSPĖJIMAS:** Prieš montuodami akumuliatoriaus kasetę įrankyje, visuomet patikrinkite, ar gaidukas tinkamai veikia ir atleistas grįžta į išjungimo padėtį „OFF“.

Norėdami paleisti įrankį, paspauskite gaiduką. Stipriau spaudžiant gaiduką, įrankio veikimo greitis didėja. Norėdami sustabdyti, gaiduką atleiskite. Kad įrankis neišsijungtų, reikia patraukti jungiklio gaiduką ir paspausti fiksavimo mygtuką, paskui atleisti jungiklio gaiduką. Jei norite sustabdyti įrankį, kai nuspaustas fiksuojamasis mygtukas, patraukite gaiduką iki galo ir paskui jį atleiskite.

► **Pav.7:** 1. Gaidukas 2. Fiksavimo mygtukas

## Atbulinės eigos jungimas

**⚠ PERSPĖJIMAS:** Prieš naudodami visuomet patikrinkite sukimosi kryptį.

**⚠ PERSPĖJIMAS:** Atbulinės eigos jungiklį naudokite tik įrankiu visiškai sustojus. Jei keisite sukimosi kryptį prieš įrankiu sustojant, galite sugadinti įrankį.

**⚠ PERSPĖJIMAS:** Kai nenaudojate įrankio, visuomet nustatykite atbulinės eigos jungiklio svirtelę į neutralią padėtį.

Šis įrankis turi atbulinės eigos jungiklį sukimosi kryptiai keisti. Nuspauskite atbulinės eigos jungiklio svirtelę iš A pusės, kad suktyši pagal laikrodžio rodyklę, arba iš B pusės, kad suktyši prieš laikrodžio rodyklę. Kai atbulinės eigos jungiklio svirtelė yra neutralioje padėtyje, jungiklio spausti negalima.

► **Pav.8:** 1. Atbulinės eigos jungiklio svirtelė

## Spaudžiamojo tipo pavaros režimas

Spaudžiamojo tipo pavaros režimu suktuvo galvutė sukasi tik stabdliko pagrindu spaudžiant ruošinio paviršių, tai leidžia įrankiu išjungti į variklį tiekiamą energiją akumuliatoriaus energijai tuščiosios eigos režimu taupyti.

Norėdami pasirinkti spaudžiamojo tipo pavaros režimą, lengvai truktelėkite gaiduką, tada atleiskite jį ir greitai paspauskite režimo pasirinkimo mygtuką. Tada užsideds ant spaudžiamojo tipo pavaros išrinktiklio esanti indikatorius lemputė.

► **Pav.9:** 1. Režimo pasirinkimo mygtukas  
2. Indikatoriaus lemputė

**PASTABA:** Spaudžiamojo tipo pavaros režimas bus išjungtas automatiškai po aštuonių valandų, kurias gaidukas yra užfiksuotas ir neatliekama jokių perjungimo veiksmų. Norėdami vėl paleisti įrankį, truktelėkite gaiduką iki galo fiksavimo mygtukui atleisti ir vėl patraukite gaiduką.

## SURINKIMAS

**⚠ PERSPĖJIMAS:** Prieš darydami ką nors įrankiu visada patikrinkite, ar įrenginys išjungtas, o akumuliatorių kasetė – nuimta.

## Suktuvo galvutės nuėmimas ir uždėjimas

**⚠ PERSPĖJIMAS:** Būkite atsargūs, kad nepriestumėte aštrių varžtų kraštų, kai iš naujo surenkate komponentus ir priedus.

**⚠ PERSPĖJIMAS:** Su reikmenimis ir priedais elkitės atsargiai. Visada tvirtai laikykite už reikmenų ir priedų gaubtelio, kai surenkate ir išardote, kad jie neiškristų ar neišslystų iš jūsų rankų.

1. Paspauskite ir palaikykite kiekvienoje gaubtelio pusėje esančius atlaisvinimo mygtukus, tada traukdami atskirkite gaubtelį.

► **Pav.10:** 1. Atlaisvinimo mygtukai 2. Gaubtelis

2. Norėdami nuimti suktuvo galvutę, traukite ją, kol stumiate ir laikote veleną įstumtą į pavaros korpusą.

► **Pav.11:** 1. Suktuvo galvutė 2. Velenas 3. Pavaros korpusas

3. Norėdami įtvirtinti suktuvo galvutę, iki galo kiškite jį į veleno skylę, tuo pačiu metu stumdami ir laikydami veleną įstumtą į pavaros korpusą. Po to atleiskite veleną ir suktuvo galvutė bus užtvirtinta.

4. Gražinkite gaubtelį atgal ant pavaros korpuso, tvirtai laikydami jos korpusą, kol kiekvienoje gaubtelio pusėje esantys atlaisvinimo mygtukai užsifiksuos jiems skirtoje vietoje.

## Nustatomosios plokštės įtaisymas

Pro suktuvo kreiptuvą prakiškite nustatomąją plokštę. Po to kiškite ją pro tiktuvą dėžutę, kol pirmasis varžtas atsidurs beveik sukimo padėtyje.

► **Pav.12:** 1. Nustatomoji plokštė 2. Suktuvo kreiptuvas 3. Gaubtelis 4. Varžto įdėjimo kreiptuvas 5. Tiktuvą dėžutė

**PASTABA:** Būtinai įtaisykite pirmąjį varžtą antroje eilėje šalia sukimo padėties.

► **Pav.13:** 1. Pirmas varžtas 2. Sukimo padėtis

## Nustatomosios plokštės nuėmimas

Norėdami nuimti nustatomąją plokštę, traukite ją į viršų iš tiktuvą dėžutės.

► **Pav.14**

Nustatomąją plokštę galima traukti žemyn iš tiktuvą dėžutės, tuo pačiu metu spaudžiant ant tiktuvą dėžutės esantį atbulinės eigos mygtuką.

► **Pav.15:** 1. Atbulinės eigos mygtukas 2. Tiktuvą dėžutė



## Kabliuko montavimas

**⚠ PERSPĖJIMAS:** Montuodami kablį, visada jį tvirtai užveržkite varžtu. Antraip kablys gali nulėkti nuo įrankio ir sužaloti.

► **Pav.16:** 1. Griovelis 2. Kablys 3. Varžtas

Kablys yra patogus, kai norite trumpam pakabinti įrankį. Jį galima uždėti bet kurioje įrankio pusėje. Norėdami sumontuoti kablį, įkiškite jį į bet kurioje įrankio korpuso pusėje esantį griovelį, po to priveržkite jį varžtu. Norėdami kablį nuimti, atsukite varžtą ir nuimkite jį.

## NAUDOJIMAS

### Varžtų įsukimo operacija

**PASTABA:** Prieš sukimo darbus visada patikrinkite, ar nenusidėvėjusi suktuvo galvutė. Susidėvėjusią suktuvo galvutę pakeiskite nauja, nes kitaip bus sukama nekokybiškai.

**PASTABA:** Įrankį laikykite statmenai ruošinio paviršiui. Laikant jį kampu, galima sugadinti varžtų galvutes, gali greičiau nusidėvėti suktuvo galvutė. Be to, gali būti prastai sukami varžtai.

**PASTABA:** Iki pat sukimo pabaigos tvirtai laikykite įrėmę įrankį į ruošinio paviršių. Jeigu to nedarysite, varžtai bus įsukami nepakankamai.

**PASTABA:** Būkite atsargūs, kad nepradėtumėte sukėti varžto toje vietoje, kur jau įsuktas kitas varžtas.

**PASTABA:** Nenaudokite įrankio be varžtų. Sugadinsite ruošinio paviršių.

**PASTABA:** Jeigu sukant varžtus tiektuvo dėžutė neveikia sklandžiai, užpurškite ant jos judančių paviršių automobiline alyva (purškiamos alyvos). Niekada netepkite jos.

Paspauskite gaiduką ir įjunkite įrankį. Tvirtai laikykite įrankį statmenai ruošinio paviršiui. Varžtas bus automatiškai nustatytas į sukimo padėtį ir įsuktas.

► **Pav.17**

### Sukimas spaudžiamojo tipo pavaros režimu

1. Lengvai nuspauskite gaiduką, po to atleiskite. Tada greitai paspauskite režimo pasirinkimo mygtuką.

Užsideda ant spaudžiamojo tipo pavaros režimo išrinktą esanti lemputė ir suaktyvinamas spaudžiamojo tipo pavaros režimas.

► **Pav.18:** 1. Režimo pasirinkimo mygtukas  
2. Indikatoriaus lemputė

2. Traukdami gaiduką nuspauskite fiksavimo mygtuką ir atleiskite gaiduką.

► **Pav.19:** 1. Fiksavimo mygtukas 2. Gaidukas

**PASTABA:** Kai pasirinktą spaudžiamojo tipo pavaros režimą ir užfiksuoja gaiduką, nesant apkrovos variklis nesisuka, kad sumažėtų energijos sąnaudos.

3. Laikykite įrankį statmenai ruošinio paviršiui ir paspauskite įrankį į priekį.

Varžtas automatiškai bus nustatytas į sukimo padėtį ir įsuktas visu greičiu.

► **Pav.20**

### Sukimas į kampa

**⚠ PERSPĖJIMAS:** Sukant arčiau nei 15 mm nuo sienos arba kai fiksatoriaus pagrindas liečia sieną, varžtų galvutės gali būti sugadintos, gali nusidėvėti ir suktuvo galvutė. Be to, varžtai gali būti įsukami prastai, gali blogai veikti įrankis.

Šiuo įrankiu galima sukėti 15 mm atstumu nuo sienos, kaip parodyta paveikslėlyje.

► **Pav.21:** 1. Sieną 2. Štabdiklio pagrindas 3. 15 mm

### Atsukimas

**⚠ PERSPĖJIMAS:** Prieš naudodami visuomet patikrinkite sukimosi kryptį.

**⚠ PERSPĖJIMAS:** Atbulinės eigos jungiklį naudokite tik įrankiu visiškai sustojus. Jei keisite sukimosi kryptį prieš įrankiu sustojant, galite sugadinti įrankį.

Naudojant įrankį galima lengvai pakeisti suktuvo galvutės sukimosi kryptį – dešinės link (pagal laikrodžio rodyklę) varžtui užveržti arba kairės link (prieš laikrodžio rodyklę) varžtui atlaisvinti.

1. Nuspauskite atbulinės eigos svirtelę iš B pusės, kad imtų sukintis prieš laikrodžio rodyklę.

► **Pav.22:** 1. Atbulinės eigos svirtelė

2. Paspauskite ir palaikykite kiekvienoje gaubtelio pusėje esančius atlaisvinimo mygtukus, tada traukdami atskirkite gaubtelį.

► **Pav.23:** 1. Atlaisvinimo mygtukai 2. Gaubtelis

3. Dėkite suktuvo galvutės galiuką į norimo atlaisvinti varžto galvutę.

4. Tvirtai laikykite įrankį prie varžto ir nuspauskite gaiduką, kad įjungtumėte.

► **Pav.24:** 1. Suktuvo galvutė 2. Varžto galvutė  
3. Gaidukas

5. Stumkite gaubtelį atgal ant pavaros korpuso, kol jis baigus veiksmą užsifiksuos.

# TECHINĖ PRIEŽIŪRA

**⚠ PERSPĖJIMAS:** Visuomet įsitikinkite, ar įrankis yra išjungtas ir akumuliatoriaus kasetė yra nuimta prieš atlikdami apžiūrą ir priežiūrą.

**PASTABA:** Niekada nenaudokite gazolino, benzino, tirpiklio, spirito arba panašių medžiagų. Gali atsirasti išblukimų, deformacijų arba įtrūkimų.

Kad gaminyt būtų SAUGUS ir PATIKIMAS, jį taisyti, apžiūrėti ar vykdyti bet kokią kitą priežiūrą ar derinimą turi įgaliotasis kompanijos „Makita“ techninės priežiūros centras; reikia naudoti tik kompanijos „Makita“ pagamintas atsargines dalis.

## Po naudojimo

Reguliariai valykite įrankį sausa šluoste arba nedideliu kiekiu muiluoto vandens sudrėkinta šluoste.

# PASIRENKAMI PRIEDAI

**⚠ PERSPĖJIMAS:** Šiuos papildomus priedus arba įtaisus rekomenduojama naudoti su šioje instrukcijoje nurodytu „Makita“ bendrovės įrankiu. Naudojant bet kokius kitus papildomus priedus arba įtaisus, gali kilti pavojus sužeisti žmones. Naudokite tik nurodytam tikslui skirtus papildomus priedus arba įtaisus.

Jeigu norite daugiau sužinoti apie tuos priedus, kreipkitės į artimiausią „Makita“ techninės priežiūros centrą.

- Gipsokartono nustatomoji plokštė
- Kryžminis atsuktuvas
- Keturbriaunis atsuktuvas
- „Pozidriv“ atsuktuvas
- Tiektuvo dėžutė
- Gaubtelis
- Originalus „Makita“ akumuliatorius ir įkroviklis

**PASTABA:** Kai kurie sąraše esantys priedai gali būti pateikti įrankio pakuotėje kaip standartiniai priedai. Jie įvairiose šalyse gali skirtis.

## TEHNILISED ANDMED

Mudel:	DFR452	DFR551
Kruvilint	ø3,5 mm x 20 mm – ø4,2 mm x 41 mm	ø3,5 mm x 25 mm – ø4,2 mm x 55 mm
Koormuseta kiirus (RPM)	0 – 6 000 min <sup>-1</sup>	
Üldpikkus	360 mm	396 mm
Nimipinge	Alalisvool 18 V	
Netokaal	1,9 – 2,2 kg	

- Meie pideva uuringu- ja arendusprogrammi tõttu võidakse tehnilisi andmeid muuta ilma sellest ette teatamata.
- Tehnilised andmed võivad riigiti erineda.
- Kaal võib erineda olenevalt liseseadistest, kaasa arvatud akukassetist. Kergeim ja raskeim kombinatsioon EPTA-protseduuri 01/2014 kohaselt on toodud tabelis.

### Sobiv akukassett ja laadija

Akukassett	BL1815N / BL1820B / BL1830B / BL1840B / BL1850B / BL1860B
Laadija	DC18RC / DC18RD / DC18RE / DC18SD / DC18SE / DC18SF / DC18SH

- Mõned eespool loetletud akukassetid ja -laadijad ei pruugi olla teie riigis saadaval.

**⚠ HOIATUS:** Kasutage ainult ülalpool loetletud akukassette ja laadijaid. Muude akukassetide ja laadijate kasutamine võib tekitada vigastusi ja/või tulekahju.

### Kavandatud kasutus

See tööriist on mõeldud kruvide keeramiseks puitu, metalli ja plasti.

### Müra

Tüüpiline A-korrigeeritud müratase, määratud standardi EN62841-2-2 kohaselt:

#### Mudel DFR452

Helirõhutase ( $L_{pA}$ ): 75 dB (A)

Määramatus (K): 3 dB (A)

#### Mudel DFR551

Helirõhutase ( $L_{pA}$ ): 74 dB (A)

Määramatus (K): 3 dB (A)

Töötamisel võib müratase ületada 80 dB (A).

**MÄRKUS:** Deklareeritud müra väärtust (väärtuseid) on mõõdetud kooskõlas standardse katsemeetodiga ning seda võib kasutada ühe seadme võrdlemiseks teisega.

**MÄRKUS:** Deklareeritud müra väärtust (väärtuseid) võib kasutada ka mürataseme esmaseks hindamiseks.

**⚠ HOIATUS:** Kasutage kõrvakaitsmeid.

**⚠ HOIATUS:** Müratase võib elektritööriista tegelikkuses kasutamise ajal erineda deklareeritud väärtus(t)est olenevalt tööriista kasutusviisidest ja eriti töödeldavast toorikust.

**⚠ HOIATUS:** Rakendage operaatori kaitsmiseks kindlasti piisavaid ohutusabinõusid, mis põhinevad hinnangulisel müratasemel tegelikul tööolukorras (võttes arvesse tööperioodi kõiki osasid, näiteks korrad, kui seade lülitatakse välja ja seade töötab tühikäigul, lisaks tööajale).

### Vibratsioon

Vibratsiooni koguväärtus (kolmeteljeliste vektorite summa) määratud standardi EN62841-2-2 kohaselt:

#### Mudel DFR452

Töörežiim: löögita kruvide keeramine

Vibratsiooniheide ( $a_{h1}$ ): 2,5 m/s<sup>2</sup> või vähem

Määramatus (K): 1,5 m/s<sup>2</sup>

#### Mudel DFR551

Töörežiim: löögita kruvide keeramine

Vibratsiooniheide ( $a_{h1}$ ): 2,5 m/s<sup>2</sup> või vähem

Määramatus (K): 1,5 m/s<sup>2</sup>

**MÄRKUS:** Deklareeritud vibratsiooni koguväärtust (-väärtuseid) on mõõdetud kooskõlas standardse katsemeetodiga ning seda võib kasutada ühe seadme võrdlemiseks teisega.

**MÄRKUS:** Deklareeritud vibratsiooni koguväärtust (-väärtuseid) võib kasutada ka mürataseme esmaseks hindamiseks.

**⚠ HOIATUS:** Vibratsioonitase võib elektritööriista tegelikkuses kasutamise ajal erineda deklareeritud väärtus(t)est olenevalt tööriista kasutusviisidest ja eriti töödeldavast toorikust.

**⚠ HOIATUS:** Rakendage operaatori kaitsmiseks kindlasti piisavaid ohutusabinõusid, mis põhinevad hinnangulisel müratasemel tegelikul tööolukorras (võttes arvesse tööperioodi kõiki osasid, näiteks korrad, kui seade lülitatakse välja ja seade töötab tühikäigul, lisaks tööajale).

### EÜ vastavusdeklaratsioon

#### Ainult Euroopa riikide puhul

EÜ vastavusdeklaratsioon sisaldub käesoleva juhendi Lisas A.

# OHUTUSHOIATUSED

## Üldised elektritööriistade ohutushoiatused

**▲HOIATUS:** Lugege läbi kõik selle elektritööriistaga kaasas olevad ohutushoiatused, juhised, joonised ja tehnilised andmed. Järgnevate juhiste eiramine võib põhjustada elektrilöögi, süttimise ja/või raske kehavigastuse.

## Hoidke edaspidisteks viideteks alles kõik hoiatused ja juhtnöörid.

Hoiatustes kasutatud termini „elektritööriist“ all peetakse silmas elektriga töötavaid (juhtmega) elektritööriistu või akuga töötavaid (juhtmeta) elektritööriistu.

## Juhtmeta kruvikeeraja ohutushoiatused

1. Hoidke elektritööriista isoleeritud haardepindadest, kui töötate kohas, kus kinnitusvahend võib sattuda kokkupuutesse varjatud elektrijuhtmetega. Pingestatud elektrijuhtmetega kokku puutunud kinnitusvahendid võivad põhjustada elektritööriista metallosade voolu alla sattumise, mille tagajärjel võib tööriista kasutaja saada elektrilöögi.
2. Veenduge alati, et omaksite kindlat toetuspinda. Kui töötate kõrguses, siis jälgige, et teist allpool ei viibiks inimesi.
3. Hoidke tööriista kindlalt käes.
4. Hoidke käed pöörlevatest osadest eemal.
5. Ärge puudutage otsakut ega töödeldavat detaili vahetult pärast tööriista kasutamist; need võivad olla väga kuumad ja põhjustada põletushaavu.
6. Töödeldav detail kinnitage alati kas kruustangide või sarnaste abivahenditega.
7. Veenduge, et tööriista kasutamisel ei oleks läheduses elektrijuhtmeid, vee- ja gaasitorusid jne, mis võivad kahjustamise korral tekitada ohtu.

## HOIDKE JUHEND ALLES.

**▲HOIATUS:** ÄRGE UNUSTAGE järgida toote ohutusnõudeid mugavuse või toote (korduskasutamiseiga saavutatud) hea tundmise tõttu.

**VALE KASUTUS** või kasutusjuhendi ohutuseskirjade eiramine võib põhjustada tervisekahjustusi.

## Akukassetiga seotud olulised ohutusjuhised

1. Enne akukassetti kasutamist lugege (1) akulaadial, (2) akul ja (3) seadmel olevad juhtnöörid ja hoiatused läbi.
2. Ärge võtke akukassetti lahti ega muutke seda. See võib põhjustada tulekahju, liigset kuumust või plahvatuse.
3. Kui tööaeg järsult lüheneb, siis lõpetage kohe kasutamine. Edasise kasutamise tulemuseks võib olla ülekuumenemisoht, võimalikud põletused või isegi plahvatus.
4. Kui elektrolüüti satub silma, siis loputage silma puhta veega ja pöörduge koheselt arsti poole. Selline õnnetus võib põhjustada pimedaksjäämist.

5. Ärge tekitage akukassetis lühist:
  - (1) Ärge puutuge klemme elektrijuhtidega.
  - (2) Ärge hoidke akukassetti tööriistakastis koos metallesemetega, nagu naelad, mündid jne.
  - (3) Ärge tehke akukassetti märjaks ega jätke seda vihma kätte.

Aku lühis võib põhjustada tugevat elektrivoolu, ülekuumenemist, põletusi ning ka seedet tõsiselt kahjustada.

6. Ärge hoidke ega kasutage tööriista ja akukassetti kohtades, kus temperatuur võib tõusta üle 50 °C (122 °F).
7. Ärge põletage akukassetti isegi siis, kui see on saanud tõsiselt vigastada või on täiesti kuluunud. Akukassett võib tules plahvatada.
8. Ärge naelutage, löigake, muljuge, visake akukassetti ega laske sel kukkuda, samuti ärge lööge selle pihta kõva esemega. Selline tegevus võib põhjustada tulekahju, liigset kuumust või plahvatuse.
9. Ärge kasutage kahjustatud akut.
10. Sisalduvatele liitium-ioonakudele võivad kohalduva ohtlike kaupade õigusaktide nõuded. Kaubanduslikul transportimisel, näiteks kolmandate poolte või transpordiettevõtete poolt, tuleb järgida pakendil ja siltidel toodud erinõudeid. Transportimiseks ettevalmistamisel on vajalik pidada nõu ohtliku materjali eksperdigaga. Samuti tuleb järgida võimalike riiklike regulatsioonide üksikasjalikumaid nõudeid. Katke teibiga või varjake avatud kontaktid ja pakendage aku selliselt, et see ei saaks pakendis liukuda.
11. Kasutusõlmatuks muutunud akukassetti kõrvaldamiseks eemaldage see tööriistast ja viige selleks ette nähtud kohta. Järgige kasutusõlmatuks muutunud aku kõrvaldamisel kohalikke eeskirju.
12. Kasutage akusid ainult Makita heaks kiidetud toodetega. Akude paigaldamine selleks mitte ettenähtud toodetele võib põhjustada süttimist, üleäära- rask kuumust, plahvatamist või elektrolüüdi lekkimist.
13. Kui tööriista ei kasutata pika ajaperioodi jooksul, tuleb aku tööriistast eemaldada.
14. Kasutamise ajal ja pärast kasutamist võib akukassett kuumeneda, mis võib põhjustada põletusi või madala temperatuuri põletusi. Olge kuuma akukassetti kandmisel ettevaatlik.
15. Ärge puudutage tööriista klemmi kohe pärast kasutamist, sest see võib olla kuum ja põhjustada põletusi.
16. Hoidke akukassetti klemmid, avad ja sooned tükikestest, tolmust ja mullast puhtad. Muidu võib tööriist või akukassett halvasti töötada või puruneda.
17. Kui tööriist ei kannata kasutamist kõrgepingeliinide lähedal, ärge kasutage akukassetti kõrgepingeliinide lähedal. Muidu võib tööriist või akukassett puruneda või sellel tõrge tekkida.
18. Hoidke akut lastele kättesaamatult.

## HOIDKE JUHEND ALLES.

**▲ETTEVAATUST:** Kasutage ainult Makita originaalakusid. Mitte Makita originaalakude või muudetud akude kasutamine võib põhjustada akude süttimise, kehavigastuse ja kahjustuse. Samuti muudab see kehtetuks Makita tööriista ja laadija Makita garantii.

## Vihjeid aku maksimaalse kasutaja tagamise kohta

1. Laadige akukasetti enne selle täielikku tühjenemist. Kui märkate, et tööriist töötab väiksema võimsusega, peatage töö ja laadige akukasetti.
2. Ärge laadige täielikult laetud akukasetti. Ülelaadimine lühendab akude kasutusiga.
3. Laadige akukasetti toatemperatuuril 10 °C - 40 °C. Enne laadimist laske kuumenenud akukasettil maha jahtuda.
4. Kui te ei kasuta parajasti akukasetti, eemaldage see tööriistast või laadurist.
5. Kui te ei kasuta akukasetti kauem kui kuus kuud, laadige see.

## FUNKTSIONAALNE KIRJELDUS

**⚠ETTEVAATUST:** Kandke alati hoolt selle eest, et tööriist oleks enne reguleerimist ja kontrollimist välja lülitatud ja akukasett eemaldatud.

## Akukasetti paigaldamine või eemaldamine

**⚠ETTEVAATUST:** Lülitage tööriist alati enne akukasetti paigaldamist või eemaldamist välja.

**⚠ETTEVAATUST:** Akukasetti paigaldamisel või eemaldamisel tuleb tööriista ja akukasetti kindlalt paigal hoida. Kui tööriista ja akukasetti ei hoita kindlalt paigal, võivad need käest libiseda ning kahjustada tööriista ja akukasetti või põhjustada kehavigastusi.

► **Joon.1:** 1. Punane näidik 2. Nupp 3. Akukasett

Akukasetti eemaldamiseks libistage see tööriista küljest lahti, vajutades kassetti esiküljel paiknevat nuppu alla.

Akukasetti paigaldamiseks joondage akukasetti keel korpuse soonega ja libistage kassett oma kohale. Sisestage see tervenisti, kuni see lukustub klõpsuga oma kohale. Kui näete joonisel näidatud punast näidikut, pole see täielikult lukustunud.

**⚠ETTEVAATUST:** Paigaldage akukasett alati täies ulatuses nii, et punast osa ei jääks näha. Muidu võib adapter juhuslikult tööriistast välja kukkuda ning põhjustada teile või läheduses viibivatele isikutele vigastusi.

**⚠ETTEVAATUST:** Ärge rakendage akukasetti paigaldamisel jõudu. Kui kassett ei lähe kergesti sisse, pole see õigesti paigaldatud.

## Tööriista/aku kaitsesüsteem

Tööriist on varustatud tööriista või aku kaitsesüsteemiga. Süsteem lülitab mootori automaatselt välja, et pikendada tööriista ja aku tööiga. Tööriist seiskub käitamise ajal automaatselt, kui tööriista või aku kohta kehtib üks järgmistest tingimustest.

## Ülekoormuskaitse

Kui tööriista/aku kasutamise käigus hakkab see tarbima ebaharilikult palju voolu, peatub tööriist automaatselt. Sellisel juhul lülitage tööriist välja ja lõpetage töö, mis põhjustas tööriista ülekoormuse. Pärast seda käivitage tööriist uuesti.

## Ülekuumenemiskaitse

Tööriista/aku ülekuumenemisel seiskub tööriist automaatselt. Sellises olukorras laske tööriistal/akul enne uuesti kasutamist jahtuda.

## Ülelaadimiskaitse

Kui aku laetuse tase ei ole piisav, seiskub tööriist automaatselt. Sellisel juhul eemaldage aku seadmest ja laadige täis.

## Hoiatuse näidik

Surumisega krivikeeramise režiimi valija märgutuli annab hoiatuse vilkuvate punaste tuledega, kui tööriist töötab järgmistest töötingimustes.

► **Joon.2:** 1. Märgutuli

Tule olek	Põhjused	Lahendused
Kiire vilkumine (umbes kolmandik sekundi pikuste intervallidega)	Aku tühjeneb	Laadige akut esimesel võimalusel.
Hilinenud vilkumine (umbes ühesekundilised intervallid)	Ülekuumenenud	Laske tööriistal maha jahtuda, enne kui selle uuesti sisse lülitate.












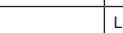



**MÄRKUS:** Olenevalt aku olekust ja töötingimustest võib esineda ülelaadimise hoiatus.

## Aku jääkmahutavuse näit

**Ainult näidikuga akukasettidele**

► **Joon.3:** 1. Märgulambid 2. Kontrollimise nupp

Akukasetti järelejäänud mahutavuse kontrollimiseks vajutage kontrollimise nuppu. Märgulambid süttivad mõneks sekundiks.

Märgulambid			Jääkmahutavus
 Põleb	 Ei põle	 Vilgub	
			75 - 100%
			50 - 75%
			25 - 50%
			0 - 25%
			Laadige akut.
			Akul võib olla tõrge.

**MÄRKUS:** Näidatud mahutavus võib veidi erineda tegelikust mahutavusest olenevalt kasutustingimustest ja ümbritseva keskkonna temperatuurist.

**MÄRKUS:** Esimene (taga vasakul asuv) märgutuli vilgub, kui akukaitsesüsteem töötab.

## Soovitud kruvipikkuste säte

### Modelile DFR452

Tööriist annab kruvi lukustamiseks 4 erinevat pikkuse seadet. Lükake stopperi alus välja ja sisse, vajutades samal ajal stopperi aluse pealmisel pinnal olevaid hoo-  
basid, nii et näitude aknasse ilmub soovitud kruvi pikkuse number (märgitud sildil). Soovitud kruvi pikkuste eraldatud numbrite üksikasjad leiate järgmisest tabelist.

► **Joon.4:** 1. Stopperi põhi 2. Hoob 3. Plaat 4. Korpus

Sildil näidatud numbrid	Kruvi pikkuse vahemikud
20	20 mm (3/4")
25	25 mm – 28 mm (1" – 1-1/8")
32	28 mm – 35 mm (1-1/8" – 1-3/8")
41	35 mm – 41 mm (1-3/8" – 1-5/8")

### Modelile DFR551

Tööriist annab kruvi lukustamiseks 7 erinevat pikkuse seadet. Lükake stopperi alus välja ja sisse, vajutades samal ajal stopperi aluse pealmisel pinnal olevaid hoo-  
basid, nii et näitude aknasse ilmub soovitud kruvi pikkuse number (märgitud sildil). Soovitud kruvi pikkuste eraldatud numbrite üksikasjad leiate järgmisest tabelist.

► **Joon.5:** 1. Stopperi põhi 2. Hoob 3. Plaat 4. Korpus

Sildil näidatud numbrid	Kruvi pikkuse vahemikud
25	25 mm (1")
30	25 mm – 30 mm (1" – 1-3/16")
35	30 mm – 35 mm (1-3/16" – 1-3/8")
40	35 mm – 40 mm (1-3/8" – 1-9/16")
45	40 mm – 45 mm (1-9/16" – 1-3/4")
50	45 mm – 50 mm (1-3/4" – 2")
55	50 mm – 55 mm (2" – 2-3/16")

## Kruvi sügavuse reguleerimine

Vajutage stopperi aluse esiosa ja hoidke sööturikarbi korpuse all nii kaugel kui võimalik. Hoides seda selles asendis, keerake regulaatorketast nii, et kruvikeeraja otsak tuleks stopperi aluse esiosast umbes 6 mm välja. Keerake sisse proovikruvi. Kui kruviipea ulatub üle töö-  
pinna, keerake regulaatorketast A suunas; kui kruviipea on pinna all, keerake regulaatorketast B suunas.

► **Joon.6:** 1. Ligikaudu 6 mm 2. Stopperi põhi 3. Sööturikarp 4. Korpus 5. Regulaatorketas

## Lüliti funktsioneerimine

**▲HOIATUS:** Kontrollige alati enne akukasseti tööriista külge paigaldamist, kas lüliti päästik funktsioneerib nõuetekohaselt ja liigub lahtilask-  
misel tagasi väljalülitatud asendisse.

Tööriista käivitamiseks tuleb tõmmata lüliti päästikut. Tööriista kiirus kasvab, kui suurendate survet lüliti päästikule. Seiskamiseks vabastage lüliti päästik. Pidevaks tööks tõmmake lüliti päästikut, vajutage lukustusnupp sisse ja seejärel vabastage päästik. Tööriista seiskamiseks lukustatud asendist tõmmake lüliti päästikut täielikult ja seejärel vabastage see.

► **Joon.7:** 1. Lüliti päästik 2. Lukustusnupp

## Suunamuutmise lüliti töötamisviis

**▲ETTEVAATUST:** Enne töö alustamist kontrollige alati pöörlemise suunda.

**▲ETTEVAATUST:** Kasutage suunamuutmislülitit alles pärast tööriista täielikku seiskumist. Enne tööriista seiskumist suuna muutmine võib tööriista kahjustada.

**▲ETTEVAATUST:** Kui tööriista ei kasutata, peab suunamuutmislülitit hoob olema alati neutraalses asendis.

Sellel tööriistal on suunamuutmise lüliti, millega saab muuta pöörlemise suunda. Suruge suunamuutmislülitit hoob A-küljel alla – tööriist pöörleb päripäeva, vastu-  
päeva pöörlemiseks suruge see alla B-küljel. Kui suunamuutmislülitit hoob on neutraalses asendis, siis lüliti päästikut tõmmata ei saa.

► **Joon.8:** 1. Suunamuutmislülitit hoob

## Surumisega kruvikeeramise režiim

Surumisega kruvikeeramise režiimis pöörleb kruvikeeraja otsak ainult juhul, kui suruda stopperi alusega pealispinnale, võimaldades tööriistal tühikäigul aku säästmiseks mootori toite katkestada.

Surumisega kruvikeeramise režiimi valimiseks tõmmake kergelt lüliti päästikut, seejärel vabastage see ja vajutage kiiresti režiimi valimise nuppu. Seejärel süttib surumisega kruvikeeramise režiimi valija märgutuli.

► **Joon.9:** 1. Režiimi valimise nupp 2. Märgutuli

**MÄRKUS:** Surumisega kruvikeeramise režiim lülitatakse automaatselt välja kaheksa tunni pärast, kui lüliti päästik on lukustatud ja lüliti enam ei aktiveerita. Tööriista taaskäivitamiseks tõmmake lukustusnupu vabastamiseks lüliti päästik lõpuni ja tõmmake päästikut uuesti.

## KOKKUPANEK

**▲ETTEVAATUST:** Kandke alati hoolt selle eest, et tööriist oleks enne igasuguseid hooldustöid välja lülitatud ja akukassett eemaldatud.

## Kruvikeeraja otsaku eemaldamine ja paigaldamine

**⚠ETTEVAATUST:** Komponentide ja lisatarvikute uuesti kokkupanemisel ärge puudutage kruvide teravaid servi.

**⚠ETTEVAATUST:** Käsitsege tarvikuid ja lisatarvikuid ettevaatlikult. Paigaldamise ja eemaldamise ajal hoidke alati tarvikuid ja lisatarvikuid kindlalt, et vältida nende kukkumist ja käest libisemist.

1. Vajutage ja hoidke korpuse mõlemal küljel olevaid vabastusnuppe ning tõmmake korpus lahti.  
▶ **Joon.10:** 1. Vabastusnupud 2. Korpus
2. Kruvikeeraja otsaku eemaldamiseks tõmmake see lahti, hoides võlli ülekande korpuses.  
▶ **Joon.11:** 1. Kruvikeeraja otsak 2. Võll 3. Ülekande korpus
3. Kruvikeeraja otsaku paigaldamiseks asetage see võlli auku nii kaugele kui võimalik, lükates samal ajal võlli ülekande korpusesse. Seejärel vabastage võll kruvikeeraja otsaku fikseerimiseks.
4. Lähtestage korpus tagasi ülekande korpusele, hoides selle kerest tugevalt kinni, kuni korpuse mõlemal küljel olevad vabastusnupud lukustuvad.

## Kruvilindi paigaldamine

Sisestage kruvilint läbi kruvijuhiku. Seejärel sisestage see läbi sööturikarbi, kuni esimene kruvi jõuab keeramisasendi kõrvale.

- ▶ **Joon.12:** 1. Kruvilint 2. Kruvilindi juhik 3. Korpus 4. Kruvilindi laadimisjuhik 5. Sööturikarp

**TÄHELEPANU:** Seadke esimene kruvi kindlasti teise ritta puurdumisasendi kõrvale.

- ▶ **Joon.13:** 1. Esimene kruvi 2. Puurdumisasend

## Kruvilindi eemaldamine

Kruvilindi eemaldamiseks tõmmake seda ülespoole ja sööturikarbi välja.

- ▶ **Joon.14**

Kruvilindi saab sööturikarbi allapoole välja tõmmata, vajutades samal ajal sööturikarbi vastassuunanuppu.

- ▶ **Joon.15:** 1. Vastassuunanupp 2. Sööturikarp

## Konksu paigaldamine

**⚠ETTEVAATUST:** Konksu paigaldamisel keerate kruvi alati tugevalt kinni. Muidu võib konks tööriistalt lahti tulla ja kehavigastusi põhjustada.

- ▶ **Joon.16:** 1. Soon 2. Konks 3. Kruvi

Konksu abil saate tööriista ajutiselt kuhugi riputada. Selle võib paigaldada tööriista ükskõik kummale küljele. Konksu paigaldamiseks torgake see tööriista korpuse ükskõik kummal küljel olevasse õnarusse ja kinnitage kruviga. Eemaldamiseks lödvendage kruvi ja võtke see siis välja.

## TÖÖRIISTA KASUTAMINE

### Kruvide/mutrite keeramine

**TÄHELEPANU:** Enne keeramist kontrollige alati kruvikeeraja otsaku kulumisasetust. Asendage kulunud kruvikeeraja otsak, et vältida ebapiisavat kinnitamist.

**TÄHELEPANU:** Hoidke tööriista alati töödeldava pinnaga risti. Nurga all hoidmisel võib kruvipea viga saada ja kruvikeeraja otsak kuluda. Samuti võib see põhjustada ebapiisavat kinnitamist.

**TÄHELEPANU:** Hoidke tööriista alati kindlalt vastu töödeldavat pinda, kuni keeramine on lõpule viidud. Vastasel korral võivad kruvid ebapiisavalt kinnituda.

**TÄHELEPANU:** Olge ettevaatlik, et mitte keerata kruvi vastu teist, juba kinnitatud kruvi.

**TÄHELEPANU:** Ärge kasutage tööriista kruvideta. See kahjustab töödeldavat pinda.

**TÄHELEPANU:** Kui sööturikarp ei liigu kruvide keeramisel sujuvalt, siis pihustage selle libisevatele pindadele autovaha (pihustatavat tüüpi vaha). Ärge seda kunagi õlitage.

Lülitage tööriist sisse, tõmmates lüliti päästikut. Hoidke tööriista töödeldava pinnaga risti ja suruge seda kindlalt. Kruvi viiakse automaatselt puurdumisasendisse ja keeratakse kinni.

- ▶ **Joon.17**

### Töötlemine surumisega kruvikeeramise režiimis

1. Tõmmake kergelt lüliti päästikut ja vabastage see. Seejärel vajutage kiiresti režiimi valimise nuppu.

Surumisega kruvikeeramise režiimi valikul süttib märgutuli ja aktiveerub töötlemisrežiim.

- ▶ **Joon.18:** 1. Režiimi valimise nupp 2. Märgutuli

2. Vajutage lukustusnupp alla, samal ajal lüliti päästikut tõmmates, ja seejärel vabastage lüliti päästik.

- ▶ **Joon.19:** 1. Lukustusnupp 2. Lüliti päästik

**MÄRKUS:** Surumisega kruvikeeramise režiimi valimise ajal ja päästiku lukustamisel ei pöörle mootor energiatarbimise minimeerimiseks tühja koormuse korral.

3. Hoidke tööriista töödeldava pinnaga risti ja avaldage tööriistale ettesuunatud survet.

Kruvi viiakse automaatselt puurdumisasendisse ja kruvitakse täiskiirusel.

- ▶ **Joon.20**

## Nurkadesse keeramine

**⚠ETTEVAATUST:** Puurimine asendis, mis on seinale lähemal kui 15 mm või nii, et stopperi alus on seinaga kontaktis, võivad kruvipead kahjustada ja kruvikeeraja otsakkuluda. Samuti võib see põhjustada ebapiisavat kinnitamist ja tööriista rikkeid.

Seda tööriista võib kasutada 15 mm seinast eemal, nagu joonisel näidatud.

► **Joon.21:** 1. Sein 2. Stopperi põhi 3. 15 mm

## Lahtikeeramise toiming

**⚠ETTEVAATUST:** Enne töö alustamist kontrollige alati pöörlemise suunda.

**⚠ETTEVAATUST:** Kasutage suunamuutmislülitit alles pärast tööriista täielikku seiskumist. Enne tööriista seiskumist suuna muutmine võib tööriista kahjustada.

Tööriist võimaldab teil hõlpsalt muuta kruvikeeraja otsaku pöörlemissuunda kas paremale (päripäeva) kruvi pingutamiseks või vasakule (vastupäeva), et kruvi lahti keerata.

1. Vastupäeva pöörlemiseks vajutage suunamuutmise lüliti hooba B poolelt.

► **Joon.22:** 1. Suunamuutmise lüliti hoob

2. Vajutage ja hoidke korpuse mõlemal küljel olevaid vabastusnuppe ning tõmmake korpus lahti.

► **Joon.23:** 1. Vabastusnupud 2. Korpus

3. Asetage kruvikeeraja otsaku ots lahti keeratava kruvi peale.

4. Hoidke tööriista kindlalt kruvi vastas ja vajutage käivitamiseks lüliti päästikut.

► **Joon.24:** 1. Kruvikeeraja otsak 2. Kruvipea 3. Lüliti päästik

5. Asetage korpus tagasi ülekande korpusele, kuni see pärast töö lõppu oma kohale lukustub.

## HOOLDUS

**⚠ETTEVAATUST:** Enne kontroll- või hooldustoimingute tegemist kandke alati hoolt selle eest, et tööriist oleks välja lülitatud ja akukassett korpuse küljest eemaldatud.

**TÄHELEPANU:** Ärge kunagi kasutage bensiini, vedeldit, alkoholi ega midagi muud sarnast. Selle tulemuseks võib olla luitumine, deformatsioon või pragunemine.

Toote OHUTUSE ja TÖÖKINDLUSE tagamiseks tuleb vajalikud remonttööd ning muud hooldus- ja reguleerimistööd lasta teha Makita volitatud teeninduskeskustes või tehase teeninduskeskustes. Alati tuleb kasutada Makita varuosi.

## Pärast kasutamist

Pühkige tööriista regulaarselt kuiva või kergelt seebi-veega niisutatud lapiga.

## VALIKULISED TARVIKUD

**⚠ETTEVAATUST:** Neid tarvikuid ja lisaseadiseid on soovitatav kasutada koos Makita tööriistaga, mille kasutamist selles kasutusjuhendis kirjeldatakse. Muude tarvikute ja lisaseadiste kasutamiseks kaasneb vigastada saamise oht. Kasutage tarvikuid ja lisaseadiseid ainult otstarbekohaselt.

Saate vajaduse korral kohalikust Makita teeninduskeskusest lisateavet nende tarvikute kohta.

- Kruviliint
- Phillips otsak
- Nelikantsotsak
- Pozidriv otsak
- Sööturikarp
- Korpus
- Makita algupärane aku ja laadija

**MÄRKUS:** Mõned nimekirjas loetletud tarvikud võivad kuuluda standardvarustusse ning need on lisatud tööriista pakendisse. Need võivad riigiti erineda.



## ТЕХНИЧЕСКИЕ ХАРАКТЕРИСТИКИ

Модель:	DFR452	DFR551
Лента с шурупами	ø3,5 мм × 20 мм – ø4,2 мм × 41 мм	ø3,5 мм × 25 мм – ø4,2 мм × 55 мм
Частота вращения без нагрузки (об/мин)	0 – 6 000 мин <sup>-1</sup>	
Общая длина	360 мм	396 мм
Номинальное напряжение	18 В пост. тока	
Масса нетто	1,9 – 2,2 кг	

- Благодаря нашей постоянно действующей программе исследований и разработок указанные здесь технические характеристики могут быть изменены без предварительного уведомления.
- Технические характеристики могут различаться в зависимости от страны.
- Масса может отличаться в зависимости от дополнительного оборудования. Обратите внимание, что блок аккумулятора также считается дополнительным оборудованием. В таблице представлены комбинации с наибольшим и наименьшим весом в соответствии с процедурой EPTA 01/2014.

### Подходящий блок аккумулятора и зарядное устройство

Блок аккумулятора	BL1815N / BL1820B / BL1830B / BL1840B / BL1850B / BL1860B
Зарядное устройство	DC18RC / DC18RD / DC18RE / DC18SD / DC18SE / DC18SF / DC18SH

- В зависимости от региона проживания некоторые блоки аккумуляторов и зарядные устройства, перечисленные выше, могут быть недоступны.

**⚠ ОСТОРОЖНО:** Используйте только перечисленные выше блоки аккумуляторов и зарядные устройства. Использование других блоков аккумуляторов и зарядных устройств может привести к травме и/или пожару.

### Назначение

Инструмент предназначен для закручивания шурупов в древесину, металл и пластмассу.

### Шум

Типичный уровень взвешенного звукового давления (A), измеренный в соответствии с EN62841-2-2:

#### Модель DFR452

Уровень звукового давления ( $L_{pA}$ ): 75 дБ (A)

Погрешность (K): 3 дБ (A)

#### Модель DFR551

Уровень звукового давления ( $L_{pA}$ ): 74 дБ (A)

Погрешность (K): 3 дБ (A)

Уровень шума при выполнении работ может превышать 80 дБ (A).

**ПРИМЕЧАНИЕ:** Заявленное значение распространения шума измерено в соответствии со стандартной методикой испытаний и может быть использовано для сравнения инструментов.

**ПРИМЕЧАНИЕ:** Заявленное значение распространения шума можно также использовать для предварительных оценок воздействия.

**⚠ ОСТОРОЖНО:** Используйте средства защиты слуха.

**⚠ ОСТОРОЖНО:** Распространение шума во время фактического использования электроинструмента может отличаться от заявленного значения в зависимости от способа применения инструмента и в особенности от типа обрабатываемой детали.

**⚠ ОСТОРОЖНО:** Обязательно определите меры безопасности для защиты оператора, основанные на оценке воздействия в реальных условиях использования (с учетом всех этапов рабочего цикла, таких как выключение инструмента, работа без нагрузки и включение).

### Вибрация

Суммарное значение вибрации (сумма векторов по трем осям), определенное в соответствии с EN62841-2-2:

#### Модель DFR452

Рабочий режим: Закручивание без нажатия

Распространение вибрации ( $a_n$ ): 2,5 м/с<sup>2</sup> или менее

Погрешность (K): 1,5 м/с<sup>2</sup>

#### Модель DFR551

Рабочий режим: Закручивание без нажатия

Распространение вибрации ( $a_n$ ): 2,5 м/с<sup>2</sup> или менее

Погрешность (K): 1,5 м/с<sup>2</sup>

**ПРИМЕЧАНИЕ:** Заявленное общее значение распространения вибрации измерено в соответствии со стандартной методикой испытаний и может быть использовано для сравнения инструментов.

**ПРИМЕЧАНИЕ:** Заявленное общее значение распространения вибрации можно также использовать для предварительных оценок воздействия.

**⚠ОСТОРОЖНО:** Распространение вибрации во время фактического использования электроинструмента может отличаться от заявленного значения в зависимости от способа применения инструмента и в особенности от типа обрабатываемой детали.

**⚠ОСТОРОЖНО:** Обязательно определите меры безопасности для защиты оператора, основанные на оценке воздействия в реальных условиях использования (с учетом всех этапов рабочего цикла, таких как выключение инструмента, работа без нагрузки и включение).

## Декларация о соответствии ЕС

*Только для европейских стран*

Декларация о соответствии ЕС включена в руководство по эксплуатации (Приложение А).

## МЕРЫ БЕЗОПАСНОСТИ

### Общие рекомендации по технике безопасности для электроинструментов

**⚠ОСТОРОЖНО:** Ознакомьтесь со всеми представленными инструкциями по технике безопасности, указаниями, иллюстрациями и техническими характеристиками, прилагаемыми к данному электроинструменту. Несоблюдение каких-либо инструкций, указанных ниже, может привести к поражению электрическим током, пожару и/или серьезной травме.

### Сохраните брошюру с инструкциями и рекомендациями для дальнейшего использования.

Термин "электроинструмент" в предупреждениях относится ко всему инструменту, работающему от сети (с проводом) или на аккумуляторах (без провода).

## Правила техники безопасности при эксплуатации аккумулятора шуруповерта

1. Если при выполнении работ существует риск контакта инструмента со скрытой электропроводкой, держите электроинструмент за специально предназначенные изолированные поверхности. Контакт с проводом под напряжением приведет к тому, что металлические детали инструмента также будут под напряжением, что приведет к поражению оператора электрическим током.
2. При выполнении работ всегда занимайте устойчивое положение. При использовании инструмента на высоте убедитесь в отсутствии людей внизу.
3. Крепко держите инструмент.
4. Руки должны находиться на расстоянии от вращающихся деталей.
5. Сразу после окончания работ не прикасайтесь к головке или детали. Они могут быть очень горячими, что приведет к ожогам кожи.
6. Всегда закрепляйте обрабатываемые детали в тисках или аналогичном зажимном устройстве.
7. Убедитесь в отсутствии поблизости электрических проводов, водопроводных и газовых труб и других предметов, которые могут стать причиной опасной ситуации в случае их повреждения при использовании инструмента.

## СОХРАНИТЕ ДАННЫЕ ИНСТРУКЦИИ.

**⚠ОСТОРОЖНО:** НЕ ДОПУСКАЙТЕ, чтобы удобство или опыт эксплуатации данного устройства (полученный от многократного использования) доминировали над строгим соблюдением правил техники безопасности при обращении с этим устройством.

**НЕПРАВИЛЬНОЕ ИСПОЛЬЗОВАНИЕ** инструмента или несоблюдение правил техники безопасности, указанных в данном руководстве, может привести к тяжелой травме.

## Важные правила техники безопасности для работы с аккумуляторным блоком

1. Перед использованием аккумулятора блока прочитайте все инструкции и предупреждающие надписи на (1) зарядном устройстве, (2) аккумуляторном блоке и (3) инструменте, работающем от аккумулятора блока.
2. Не разбирайте блок аккумулятора и не меняйте его конструкцию. Это может привести к пожару, перегреву или взрыву.

3. Если время работы аккумуляторного блока значительно сократилось, немедленно прекратите работу. В противном случае, может возникнуть перегрев блока, что приведет к ожогам и даже к взрыву.
4. В случае попадания электролита в глаза промойте их обильным количеством чистой воды и немедленно обратитесь к врачу. Это может привести к потере зрения.
5. Не замыкайте контакты аккумуляторного блока между собой:
  - (1) Не прикасайтесь к контактам какими-либо токопроводящими предметами.
  - (2) Не храните аккумуляторный блок в контейнере вместе с другими металлическими предметами, такими как гвозди, монеты и т. п.
  - (3) Не допускайте попадания на аккумуляторный блок воды или дождя.
 Замыкание контактов аккумуляторного блока между собой может привести к возникновению большого тока, перегреву, возможным ожогам и даже поломке блока.
6. Не храните и не используйте инструмент и аккумуляторный блок в местах, где температура может достигать или превышать 50 °C (122 °F).
7. Не бросайте аккумуляторный блок в огонь, даже если он сильно поврежден или полностью вышел из строя. Аккумуляторный блок может взорваться под действием огня.
8. Запрещено вбивать гвозди в блок аккумулятора, резать, ломать, бросать, ронять блок аккумулятора или ударять его твердым предметом. Это может привести к пожару, перегреву или взрыву.
9. Не используйте поврежденный аккумуляторный блок.
10. Входящие в комплект литий-ионные аккумуляторы должны эксплуатироваться в соответствии с требованиями законодательства об опасных товарах.
 

При коммерческой транспортировке, например, третьей стороной или экспедитором, необходимо нанести на упаковку специальные предупреждения и маркировку.

В процессе подготовки устройства к отправке обязательно проконсультируйтесь со специалистом по опасным материалам. Также соблюдайте местные требования и нормы. Они могут быть строже.

Закройте или закрепите разомкнутые контакты и упакуйте аккумулятор так, чтобы он не перемещался по упаковке.
11. Для утилизации блока аккумулятора извлеките его из инструмента и утилизируйте безопасным способом. Выполняйте требования местного законодательства по утилизации аккумуляторного блока.
12. Используйте аккумуляторы только с продукцией, указанной Makita. Установка аккумуляторов на продукцию, не соответствующую требованиям, может привести к пожару, перегреву, взрыву или утечке электролита.
13. Если инструментом не будут пользоваться в течение длительного периода времени, извлеките аккумулятор из инструмента.
14. Во время и после использования блок аккумулятора может нагреваться, что может стать причиной ожогов или низкотемпературных ожогов. Будьте осторожны при обращении с горячим блоком аккумулятора.
15. Не прикасайтесь к контактам инструмента сразу после использования, поскольку они могут быть достаточно горячими, чтобы вызвать ожоги.
16. Не допускайте, чтобы обломки, пыль или земля прилипали к контактам, отверстиям и пазам на блоке аккумулятора. Это может привести к снижению эксплуатационных параметров, поломке инструмента или блока аккумулятора.
17. Если инструмент не рассчитан на использование вблизи высоковольтных линий электропередач, не используйте блок аккумулятора вблизи высоковольтных линий электропередач. Это может привести к неисправности, поломке инструмента или блока аккумулятора.
18. Храните аккумулятор в недоступном для детей месте.

## СОХРАНИТЕ ДАННЫЕ ИНСТРУКЦИИ.

**▲ВНИМАНИЕ:** Используйте только фирменные аккумуляторные батареи Makita. Использование аккумуляторных батарей, не произведенных Makita, или батарей, которые были подвергнуты модификациям, может привести к взрыву аккумулятора, пожару, травмам и повреждению имущества. Это также автоматически аннулирует гарантию Makita на инструмент и зарядное устройство Makita.

## Советы по обеспечению максимального срока службы аккумулятора

1. Заряжайте блок аккумуляторов перед его полной разрядкой. Обязательно прекратите работу с инструментом и зарядите блок аккумуляторов, если вы заметили снижение мощности инструмента.
2. Никогда не подзаряжайте полностью заряженный блок аккумуляторов. Перезарядка сокращает срок службы аккумулятора.
3. Заряжайте блок аккумуляторов при комнатной температуре в 10 - 40 °C (50 - 104 °F). Перед зарядкой горячего блока аккумуляторов дайте ему остыть.
4. Если блок аккумулятора не используется, извлеките его из инструмента или зарядного устройства.
5. Зарядите ионно-литиевый аккумуляторный блок, если вы не будете пользоваться инструментом длительное время (более шести месяцев).

# ОПИСАНИЕ ФУНКЦИОНИРОВАНИЯ

**ВНИМАНИЕ:** Перед регулировкой или проверкой функций инструмента обязательно убедитесь, что он выключен и его аккумуляторный блок снят.

## Установка или снятие блока аккумуляторов

**ВНИМАНИЕ:** Обязательно выключайте инструмент перед установкой и извлечением аккумуляторного блока.

**ВНИМАНИЕ:** При установке и извлечении аккумуляторного блока крепко удерживайте инструмент и аккумуляторный блок. Если не соблюдать это требование, они могут выскользнуть из рук, что приведет к повреждению инструмента, аккумуляторного блока и травмированию оператора.

► **Рис.1:** 1. Красный индикатор 2. Кнопка 3. Блок аккумулятора

Для снятия аккумуляторного блока нажмите кнопку на лицевой стороне и извлеките блок.

Для установки блока аккумулятора совместите выступ блока аккумулятора с пазом в корпусе и задвиньте его на место. Устанавливайте блок до упора, чтобы он зафиксировался с небольшим щелчком. Если вы видите красный индикатор, как показано на рисунке, он не зафиксирован полностью.

**ВНИМАНИЕ:** Обязательно устанавливайте блок аккумулятора до конца, чтобы красный индикатор не был виден. В противном случае блок аккумулятора может выпасть из инструмента и нанести травму вам или другим людям.

**ВНИМАНИЕ:** Не прилагайте чрезмерных усилий при установке аккумуляторного блока. Если блок не двигается свободно, значит он вставлен неправильно.

## Система защиты инструмента/аккумулятора

На инструменте предусмотрена система защиты инструмента/аккумулятора. Она автоматически отключает питание двигателя для продления срока службы инструмента и аккумулятора. Инструмент автоматически остановится во время работы в следующих случаях:

### Защита от перегрузки

Если из-за способа эксплуатации инструмент/аккумулятор потребляет слишком большое количество тока, произойдет автоматический останов. В этом случае выключите инструмент и прекратите работу, повлекшую перегрузку инструмента. Затем включите инструмент для перезапуска.

### Защита от перегрева

При перегреве инструмента/аккумулятора инструмент останавливается автоматически. В этом случае дайте инструменту/аккумулятору остыть перед повторным включением.

## Защита от переразрядки

При истощении емкости аккумулятора инструмент автоматически останавливается. В этом случае извлеките аккумулятор из инструмента и зарядите его.

## Сигнальный индикатор

Индикатор на переключателе нажимного режима мигает красным светом, когда инструмент работает в следующих условиях эксплуатации.

► **Рис.2:** 1. Индикатор

Статус индикатора	Причины	Способы устранения
Быстро мигает (с интервалом примерно в одну треть секунды)	Аккумулятор разряжается	Зарядите аккумулятор при первой возможности.
Мигает с задержкой (с интервалом примерно в одну секунду)	Перегрев	Дайте инструменту остыть перед повторным включением.

















**ПРИМЕЧАНИЕ:** Предупреждение о чрезмерной разрядке может появляться в зависимости от состояния аккумулятора и условий эксплуатации.

## Индикация оставшегося заряда аккумулятора

*Только для блоков аккумулятора с индикатором*

► **Рис.3:** 1. Индикаторы 2. Кнопка проверки

Нажмите кнопку проверки на аккумуляторном блоке для проверки заряда. Индикаторы загорятся на несколько секунд.

Индикаторы			Уровень заряда
 Горит	 Выкл.	 Мигает	
			от 75 до 100%
			от 50 до 75%
			от 25 до 50%
			от 0 до 25%
			Зарядите аккумуляторную батарею.
			Возможно, аккумуляторная батарея неисправна.
			

**ПРИМЕЧАНИЕ:** В зависимости от условий эксплуатации и температуры окружающего воздуха индикация может незначительно отличаться от фактического значения.

**ПРИМЕЧАНИЕ:** Первая (дальняя левая) индикаторная лампа будет мигать во время работы защитной системы аккумулятора.

## Настройка под шурупы нужной длины

### Для модели DFR452

Данный инструмент имеет 4 настройки длины шурупа с принудительной фиксацией. Сдвиньте стопорное основание, одновременно нажимая на рычаги сверху стопорного основания, чтобы значение нужной длины шурупа (обозначенное на указателе) появилось в окошке считывания. В следующей таблице приведены подробные сведения о значениях длины шурупов.

- **Рис.4:** 1. Стопорное основание 2. Рычаг  
3. Пластина 4. Корпус

Значения на указателе	Диапазоны длин шурупов
20	20 мм (3/4 дюйм)
25	25 мм – 28 мм (1 дюйм – 1-1/8 дюйма)
32	28 мм – 35 мм (1-1/8 дюйма – 1-3/8 дюйма)
41	35 мм – 41 мм (1-3/8 дюйма – 1-5/8 дюйма)

### Для модели DFR551

Данный инструмент имеет 7 настроек длины шурупа с принудительной фиксацией. Сдвиньте стопорное основание, одновременно нажимая на рычаги сверху стопорного основания, чтобы значение нужной длины шурупа (обозначенное на указателе) появилось в окошке считывания. В следующей таблице приведены подробные сведения о значениях длины шурупов.

- **Рис.5:** 1. Стопорное основание 2. Рычаг  
3. Пластина 4. Корпус

Значения на указателе	Диапазоны длин шурупов
25	25 мм (1 дюйм)
30	25 мм – 30 мм (1 дюйм – 1-3/16 дюйма)
35	30 мм – 35 мм (1-3/16 дюйма – 1-3/8 дюйма)
40	35 мм – 40 мм (1-3/8 дюйма – 1-9/16 дюйма)
45	40 мм – 45 мм (1-9/16 дюйма – 1-3/4 дюйма)
50	45 мм – 50 мм (1-3/4 дюйма – 2 дюйма)
55	50 мм – 55 мм (2 дюйма – 2-3/16 дюйма)

## Регулировка глубины закручивания

Нажмите на переднюю поверхность стопорного основания и опустите устройство подачи в кожухе до упора. Удерживая его в этом положении, отрегулируйте с помощью регулировочного диска кончик насадки для отвертки так, чтобы он выступал примерно на 6 мм над передней поверхностью стопорного основания.

Вкрутите пробный шуруп. Если головка шурупа выступает над поверхностью детали, прокрутите регулировочный диск в направлении А; если головка шурупа глубоко вошла в поверхность, прокрутите регулировочный диск в направлении В.

- **Рис.6:** 1. Приблизительно 6 мм 2. Стопорное основание 3. Устройство подачи 4. Корпус  
5. Регулировочный диск

## Действие выключателя

**▲ОСТОРОЖНО:** Перед установкой аккумуляторного блока в инструмент обязательно убедитесь, что его триггерный переключатель нормально работает и возвращается в положение "OFF" (ВЫКЛ) при отпускании.

Чтобы запустить инструмент, нажмите триггерный переключатель. Для увеличения частоты вращения нажмите триггерный переключатель сильнее. Отпустите триггерный переключатель для остановки. Для обеспечения непрерывной работы инструмента зажмите триггерный переключатель, нажмите кнопку блокировки и затем отпустите триггерный переключатель. Для остановки инструмента, работающего в режиме непрерывной работы, до упора нажмите и отпустите триггерный переключатель.

- **Рис.7:** 1. Курковый выключатель 2. Кнопка блокировки

## Действие реверсивного переключателя

**▲ВНИМАНИЕ:** Перед работой всегда проверьте направление вращения.

**▲ВНИМАНИЕ:** Используйте реверсивный переключатель только после полной остановки инструмента. Изменение направления вращения до полной остановки инструмента может привести к его повреждению.

**▲ВНИМАНИЕ:** Если инструмент не используется, обязательно переведите рычаг реверсивного переключателя в нейтральное положение.

Этот инструмент оборудован реверсивным переключателем для изменения направления вращения. Нажмите на рычаг реверсивного переключателя со стороны А для вращения по часовой стрелке или со стороны В для вращения против часовой стрелки. Когда рычаг реверсивного переключателя находится в нейтральном положении, триггерный переключатель нажать нельзя.

- **Рис.8:** 1. Рычаг реверсивного переключателя

## Нажимной режим

В нажимном режиме насадка для отвертки вращается, только если стопорное основание прижато к поверхности закручивания, и тогда электродвигатель инструмента на холостом ходу не включается, позволяя экономить заряд аккумулятора.

Для выбора нажимного режима слегка потяните триггерный переключатель и отпустите его, сразу нажав кнопку выбора режима. После этого на переключателе нажимного режима загорится индикатор.

- **Рис.9:** 1. Кнопка выбора режима 2. Индикатор

**ПРИМЕЧАНИЕ:** Если триггерный переключатель заблокирован и с ним не производится никаких действий, нажимной режим автоматически отключится через восемь часов. Для перезапуска инструмента полностью нажмите триггерный переключатель, чтобы отключить кнопку блокировки, а затем отпустите триггерный переключатель и снова нажмите.

## МОНТАЖ

**⚠ВНИМАНИЕ:** Перед проведением каких-либо работ с инструментом обязательно убедитесь, что инструмент отключен, а блок аккумулятора снят.

### Снятие и установка насадки для отвертки

**⚠ВНИМАНИЕ:** Во время сборки компонентов и приспособлений старайтесь не касаться острых краев шурупов.

**⚠ВНИМАНИЕ:** Осторожно обращайтесь с принадлежностями и приспособлениями. Во время установки и демонтажа принадлежностей и приспособлений всегда крепко их держите, чтобы они не выпали или не выскользнули из рук.

1. Нажмите и удерживайте кнопки разблокировки с каждой стороны кожуха, а затем стяните кожух.

► **Рис.10:** 1. Кнопки разблокировки 2. Кожух

2. Чтобы извлечь насадку для отвертки, вдавите шпindel в корпус редуктора и, удерживая его в этом положении, вытяните насадку.

► **Рис.11:** 1. Насадка для отвертки 2. Шпindel 3. Корпус редуктора

3. Чтобы установить насадку для отвертки, вдавите шпindel в корпус редуктора и, удерживая его в этом положении, вставьте ее в отверстие шпинделя до упора. Затем отпустите шпindel, чтобы зафиксировать насадку для отвертки.

4. Установите кожух обратно на корпус редуктора, крепко удерживая его, пока кнопки разблокировки с каждой стороны кожуха не зафиксируются.

### Установка ленты с винтами

Установите ленту с винтами через направляющую для винтов. Затем проденьте ее через кожух подачи, пока первый винт не окажется около места закручивания.

► **Рис.12:** 1. Лента с шурупами 2. Направляющая ленты с шурупами 3. Кожух 4. Направляющая загрузки шурупов 5. Устройство подачи

**ПРИМЕЧАНИЕ:** Убедитесь, что первый шуруп установлен во втором отверстии, которое следует сразу за положением закручивания.

► **Рис.13:** 1. Первый шуруп 2. Положение закручивания

### Снятие ленты с винтами

Чтобы снять ленту с шурупами, потяните ее вверх из устройства подачи.

► **Рис.14**

Ленту с шурупами можно вытянуть из устройства подачи вниз, нажав на кнопку реверса на устройстве подачи.

► **Рис.15:** 1. Кнопка реверса 2. Устройство подачи

## Установка крючка

**⚠ВНИМАНИЕ:** При установке крючка надежно фиксируйте его винтом. В противном случае крючок может отсоединиться от инструмента, что может привести к травме.

► **Рис.16:** 1. Паз 2. Крючок 3. Винт

Крючок удобен для временного подвешивания инструмента. Он может быть установлен с любой стороны инструмента. Для установки крючка вставьте его в паз в корпусе инструмента с одной из сторон и закрепите при помощи винта. Чтобы снять крючок, необходимо сначала отвернуть винт.

## ЭКСПЛУАТАЦИЯ

### Операция закручивания

**ПРИМЕЧАНИЕ:** Перед работой всегда проверяйте насадку для отвертки на предмет износа. Замените изношенную насадку для отвертки, иначе шурупы будут плохо закручиваться.

**ПРИМЕЧАНИЕ:** Всегда держите инструмент строго перпендикулярно поверхности закручивания. Если держать его под углом, это может привести к повреждению головок шурупов и износу насадки для отвертки. Кроме того, шурупы будут закреплены ненадежно.

**ПРИМЕЧАНИЕ:** Всегда держите инструмент плотно прижатым к поверхности закручивания до полного завершения процесса закручивания. Несоблюдение этого требования может привести к тому, что шурупы будут плохо закручены.

**ПРИМЕЧАНИЕ:** Будьте внимательны и не вкручивайте шурупы друг в друга.

**ПРИМЕЧАНИЕ:** Не запускайте инструмент без шурупов. Это приведет к повреждению поверхности закручивания.

**ПРИМЕЧАНИЕ:** Если при закручивании шурупов устройство подачи работает рывками, нанесите на поверхности скольжения автомобильный воск (аэрозольного типа). Ни в коем случае не смазывайте их.

Включите инструмент, нажав на курковый выключатель. Крепко держите инструмент перпендикулярно поверхности, куда вы будете закручивать шурупы. Шуруп будет автоматически подан в положение закручивания и затем будет закручен.

► **Рис.17**

### Закручивание в нажимном режиме

1. Слегка нажмите на триггерный переключатель и отпустите. Затем сразу нажмите кнопку выбора режима.

На переключателе нажимного режима загорится индикатор, и включится нажимной режим.

► **Рис.18:** 1. Кнопка выбора режима 2. Индикатор

2. Нажмите кнопку блокировки одновременно с триггерным переключателем, а затем отпустите триггерный переключатель.

► **Рис.19:** 1. Кнопка блокировки 2. Триггерный переключатель

**ПРИМЕЧАНИЕ:** При выборе нажимного режима и блокировке триггера электродвигатель не будет вращаться без нагрузки, чтобы свести к минимуму энергопотребление.

3. Прижмите инструмент к поверхности закручивания, держа его строго перпендикулярно.

Шуруп будет автоматически переведен в положение закручивания и вкручен на полной скорости.

► **Рис.20**

## Закручивание в углу

**ВНИМАНИЕ:** Если расстояние между шурупом и стеной составляет меньше 15 мм или стопорное основание соприкасается с боковой стеной, можно повредить головки шурупов и стереть насадку для отвертки. Кроме того, это может привести к плохому закручиванию шурупов и выходу инструмента из строя.

Этот инструмент можно использовать для закручивания шурупов на расстоянии 15 мм от боковой стены, как показано на рисунке.

► **Рис.21:** 1. Стена 2. Стопорное основание 3. 15 мм

## Выкручивание шурупов

**ВНИМАНИЕ:** Перед работой всегда проверяйте направление вращения.

**ВНИМАНИЕ:** Используйте реверсивный переключатель только после полной остановки инструмента. Изменение направления вращения до полной остановки инструмента может привести к его повреждению.

Данный инструмент позволяет легко изменять направление вращения насадки для отвертки: вправо (по часовой стрелке) для закручивания шурупа или влево (против часовой стрелки) для выкручивания шурупа.

1. Вдавите рычаг реверсивного переключателя со стороны В для включения режима вращения против часовой стрелки.

► **Рис.22:** 1. Рычаг реверсивного переключателя

2. Нажмите и удерживайте кнопки разблокировки с каждой стороны кожуха, а затем стяните кожух.

► **Рис.23:** 1. Кнопки разблокировки 2. Кожух

3. Вставьте насадку для отвертки в головку шурупа, который нужно выкрутить.

4. Держите инструмент строго перпендикулярно шурупу и нажмите триггерный переключатель, чтобы начать операцию.

► **Рис.24:** 1. Насадка для отвертки 2. Головка шурупа 3. Триггерный переключатель

5. После окончания работы установите кожух обратно на корпус редуктора до фиксации.

## ОБСЛУЖИВАНИЕ

**ВНИМАНИЕ:** Перед проведением проверки или работ по техобслуживанию всегда проверяйте, что инструмент выключен, а блок аккумуляторов снят.

**ПРИМЕЧАНИЕ:** Запрещается использовать бензин, растворители, спирт и другие подобные жидкости. Это может привести к обесцвечиванию, деформации и трещинам.

Для обеспечения БЕЗОПАСНОСТИ и НАДЕЖНОСТИ оборудования ремонт, любое другое техобслуживание или регулировку необходимо производить в уполномоченных сервис-центрах Makita или сервис-центрах предприятия с использованием только сменных частей производства Makita.

## После использования

Регулярно протирайте инструмент сухой или слегка смоченной в мыльной воде тканью.

## ДОПОЛНИТЕЛЬНЫЕ ПРИНАДЛЕЖНОСТИ

**ВНИМАНИЕ:** Данные принадлежности или приспособления рекомендуются для использования с инструментом Makita, указанным в настоящем руководстве. Использование других принадлежностей или приспособлений может привести к получению травмы. Используйте принадлежность или приспособление только по указанному назначению.

Если вам необходимо содействие в получении дополнительной информации по этим принадлежностям, свяжитесь с вашим сервис-центром Makita.

- Полоса шурупов для гипсокартона
- Бита Phillips
- Прямоугольная насадка
- Крестовая насадка
- Устройство подачи
- Кожух
- Оригинальный аккумулятор и зарядное устройство Makita

**ПРИМЕЧАНИЕ:** Некоторые элементы списка могут входить в комплект инструмента в качестве стандартных приспособлений. Они могут отличаться в зависимости от страны.

**Makita Europe N.V.** Jan-Baptist Vinkstraat 2,  
3070 Kortenberg, Belgium

**Makita Corporation** 3-11-8, Sumiyoshi-cho,  
Anjo, Aichi 446-8502 Japan

[www.makita.com](http://www.makita.com)

885905-988  
EN, SV, NO, FI, DA,  
LV, LT, ET, RU  
20210604