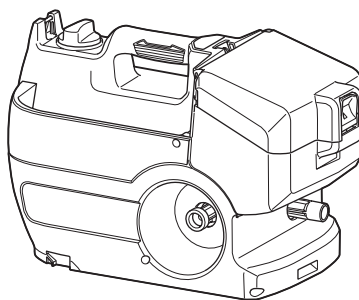




<b>EN</b>	<b>Cordless High Pressure Washer</b>	<b>INSTRUCTION MANUAL</b>	<b>10</b>
<b>SV</b>	<b>Batteridreven högtryckstvätt</b>	<b>BRUKSANVISNING</b>	<b>22</b>
<b>NO</b>	<b>Batteridrevet høytrykksspyler</b>	<b>BRUKSANVISNING</b>	<b>34</b>
<b>FI</b>	<b>Akkukäyttöinen korkeapainepesuri</b>	<b>KÄYTTÖOHJE</b>	<b>46</b>
<b>LV</b>	<b>Bezvadu augstspiediena mazgāšanas ierīce</b>	<b>LIETOŠANAS INSTRUKCIJA</b>	<b>58</b>
<b>LT</b>	<b>Belaidis aukšto slėgio plovimo aparatas</b>	<b>NAUDOJIMO INSTRUKCIJA</b>	<b>70</b>
<b>ET</b>	<b>Juhtmevaba kõrgsurvepesur</b>	<b>KASUTUSJUHEND</b>	<b>82</b>
<b>RU</b>	<b>Аккумуляторная Мойка Высокого Давления</b>	<b>РУКОВОДСТВО ПО ЭКСПЛУАТАЦИИ</b>	<b>94</b>

## DHW080



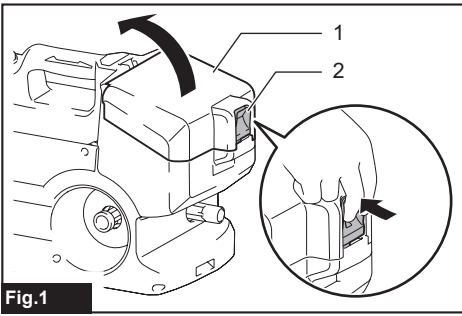


Fig.1

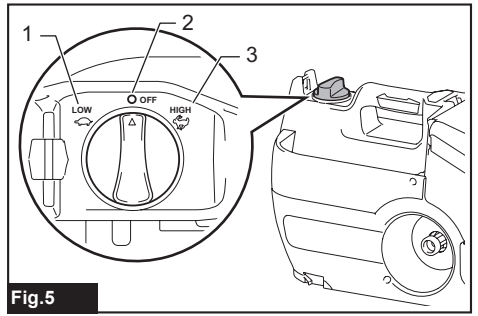


Fig.5

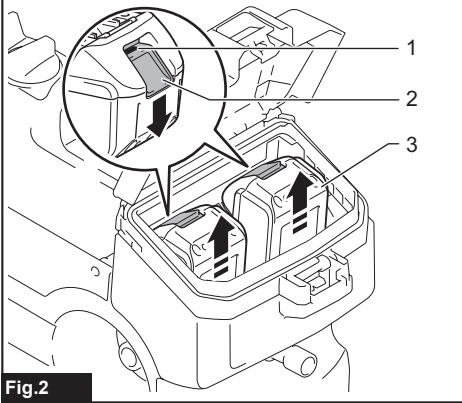


Fig.2

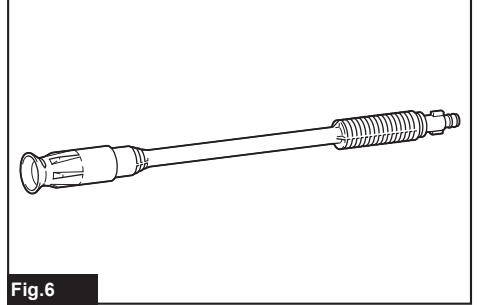


Fig.6

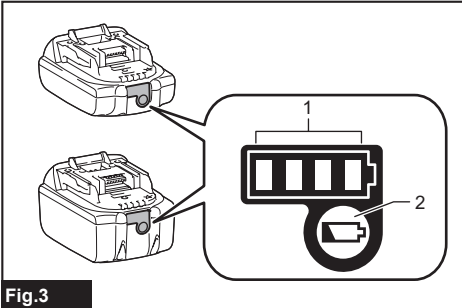


Fig.3

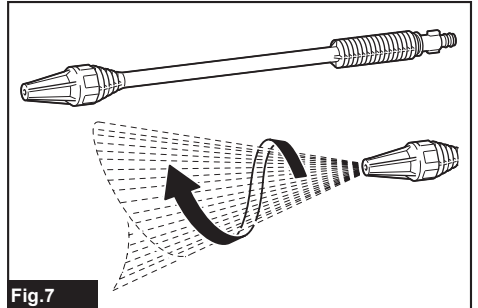


Fig.7

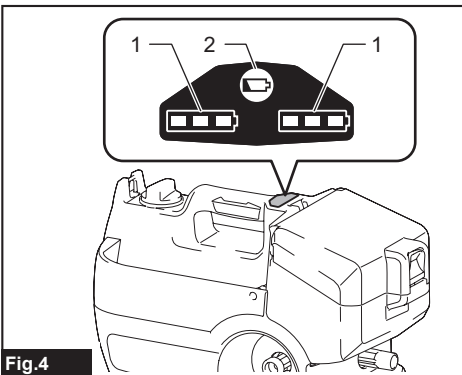


Fig.4

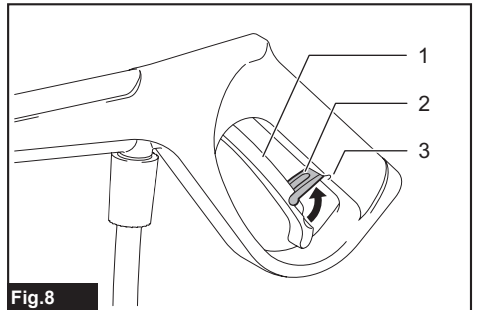


Fig.8

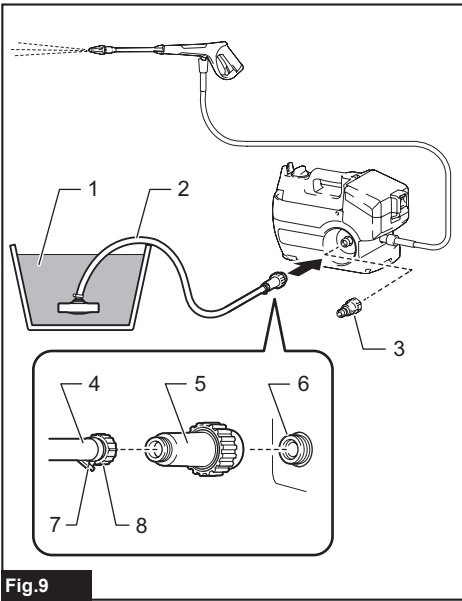


Fig.9

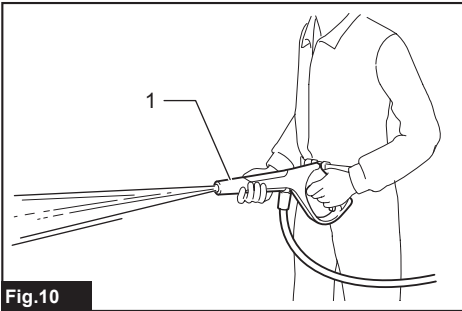


Fig.10

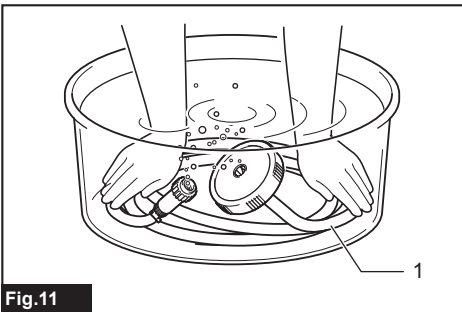


Fig.11

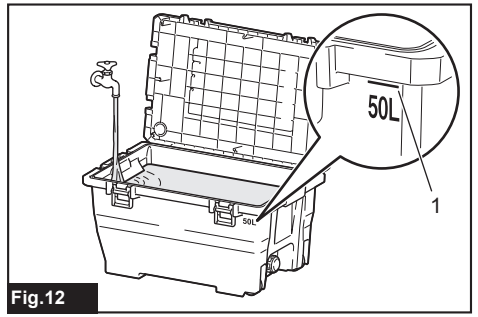


Fig.12

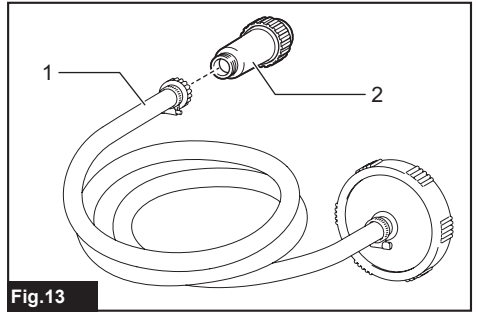


Fig.13

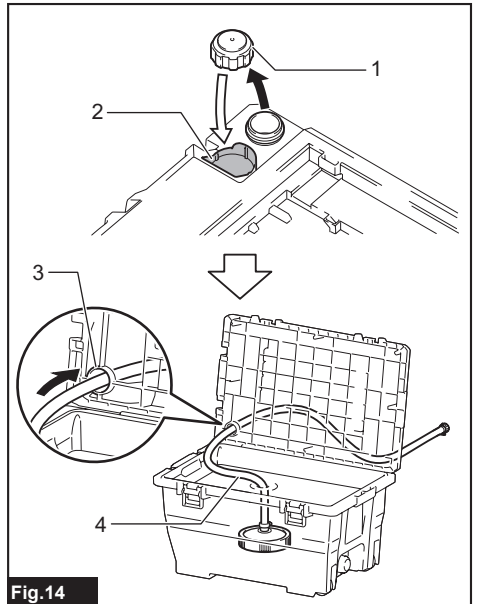
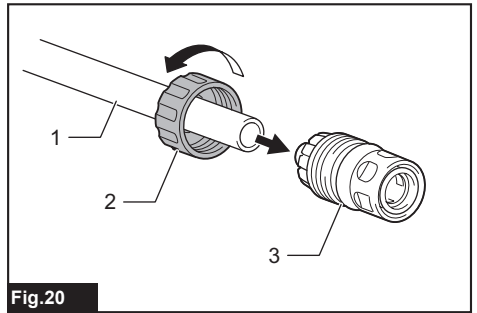
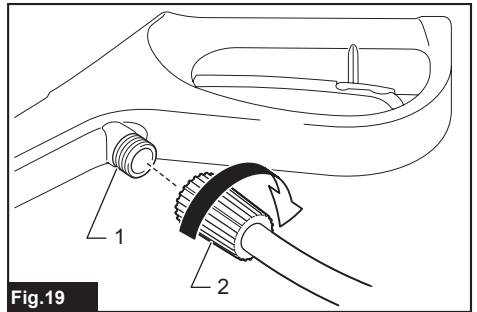
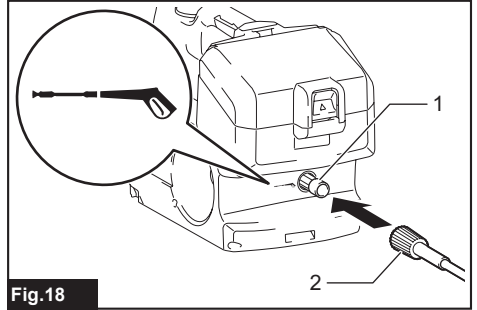
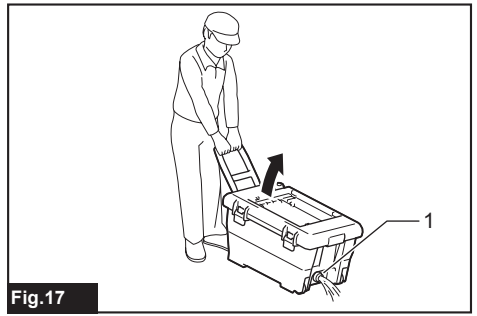
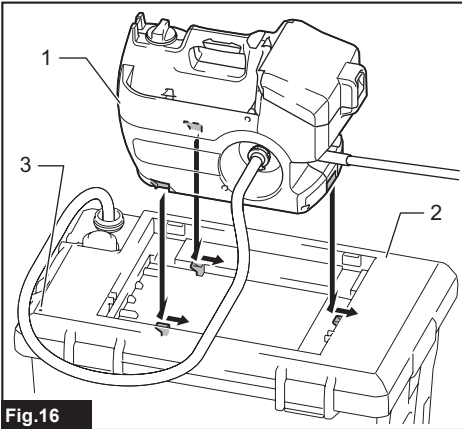
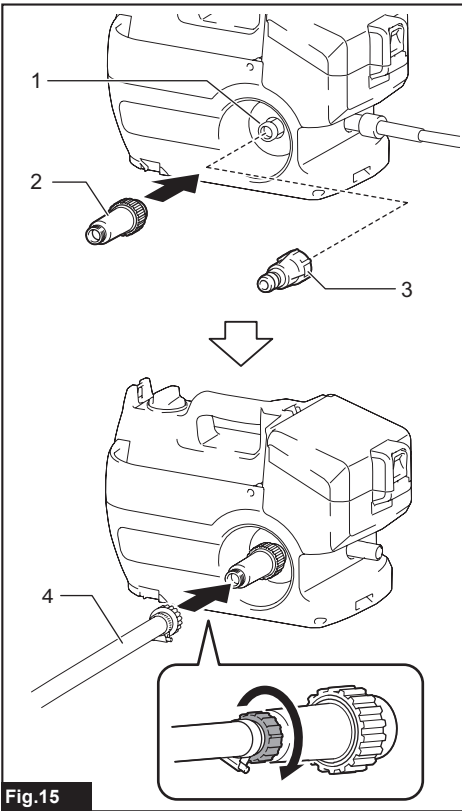


Fig.14



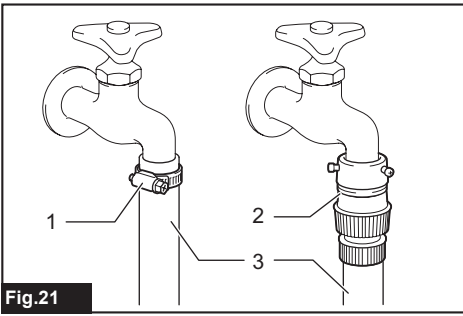


Fig.21

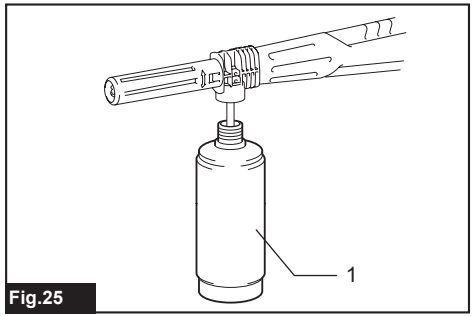


Fig.25

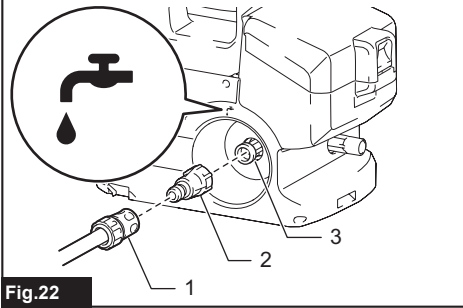


Fig.22

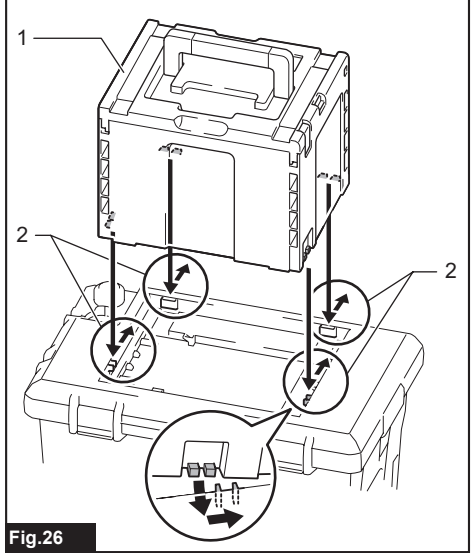


Fig.26

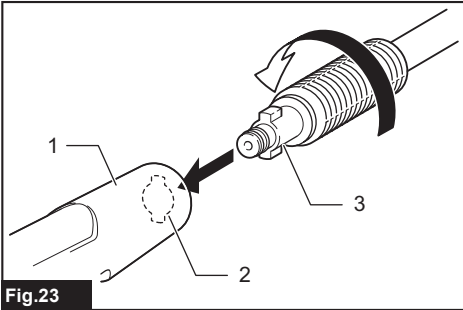


Fig.23

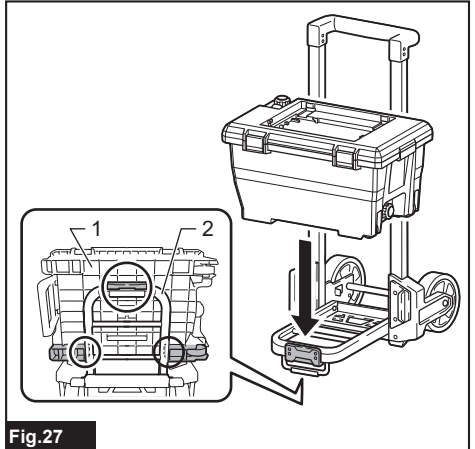


Fig.27

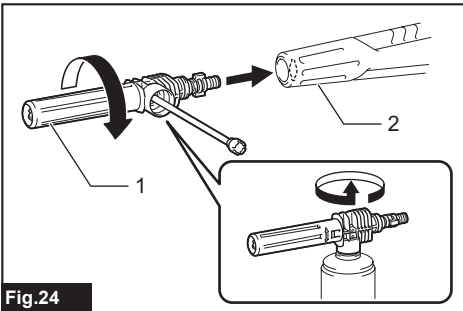


Fig.24

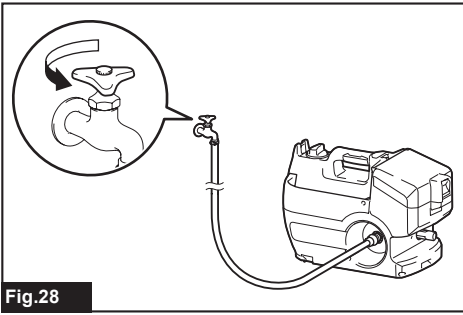


Fig.28

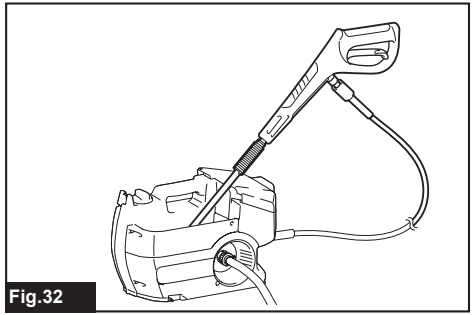


Fig.32

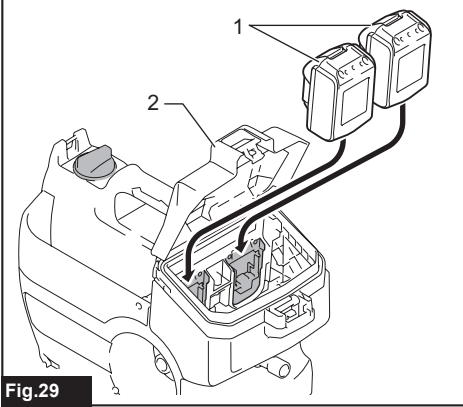


Fig.29

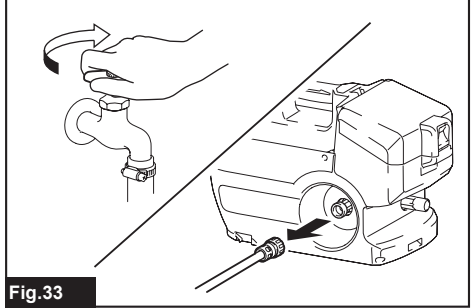


Fig.33

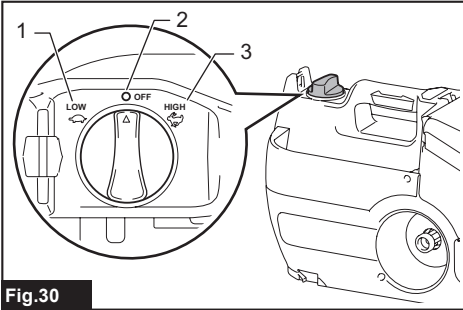


Fig.30

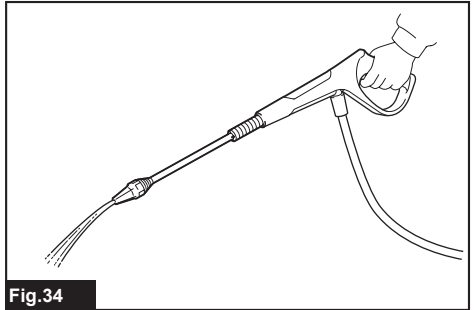


Fig.34

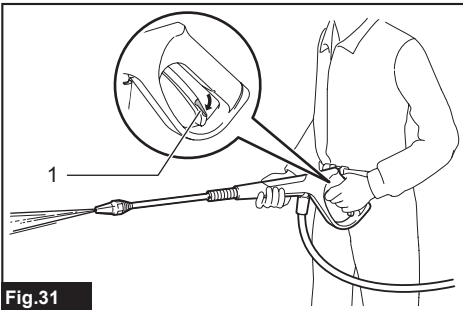


Fig.31

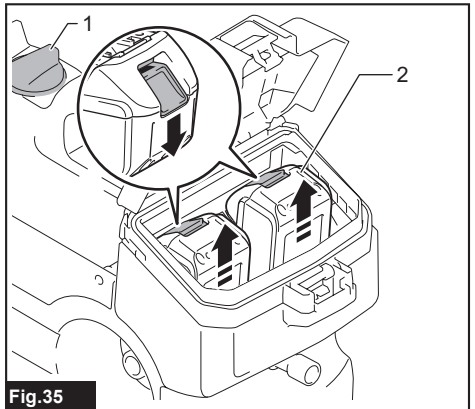
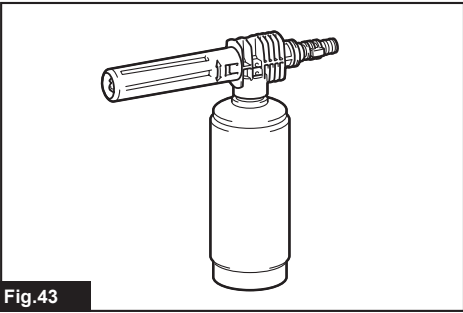
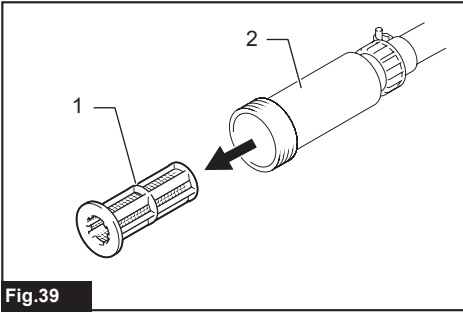
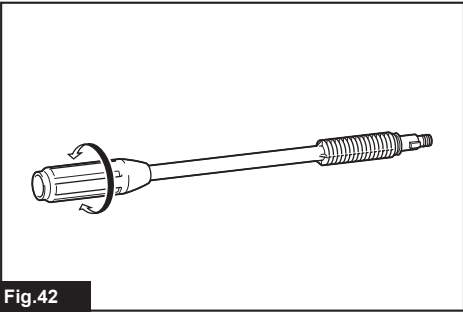
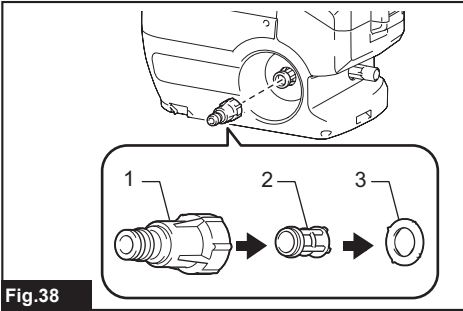
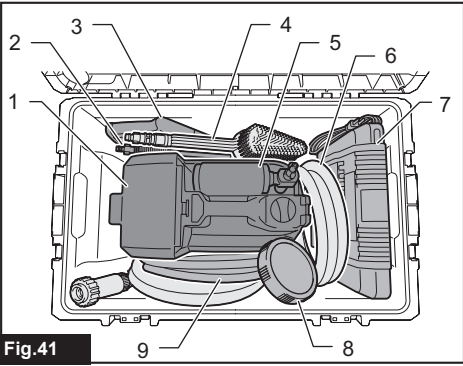
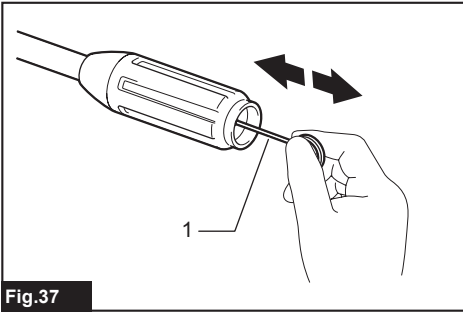
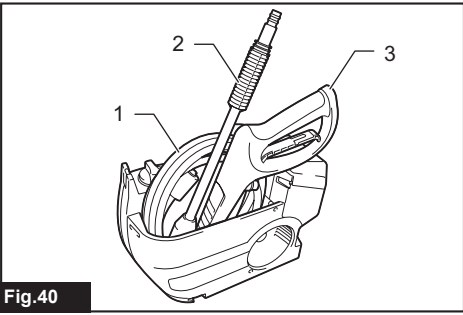
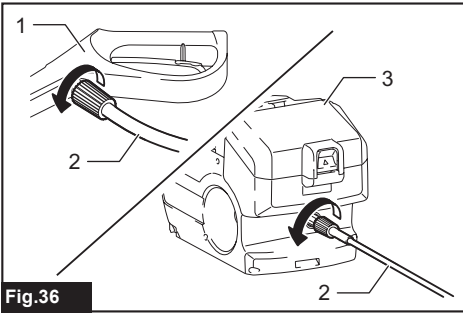


Fig.35



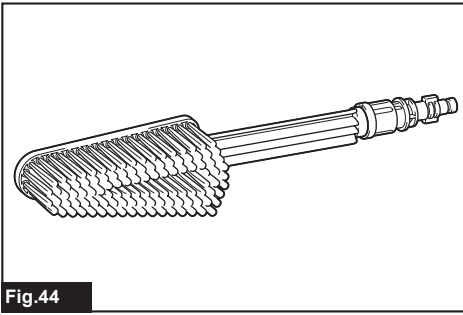


Fig.44

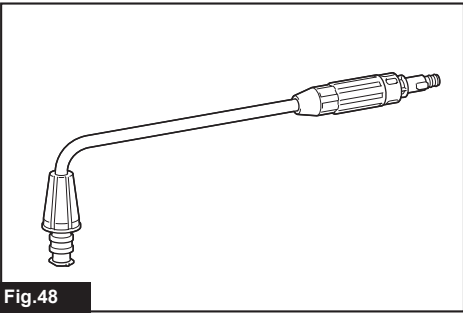


Fig.48

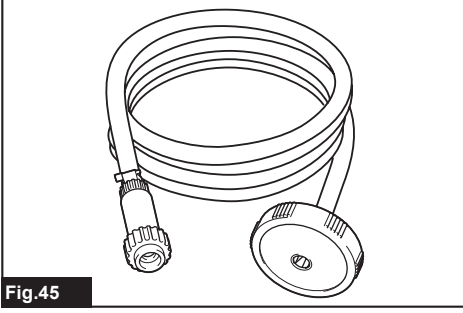


Fig.45

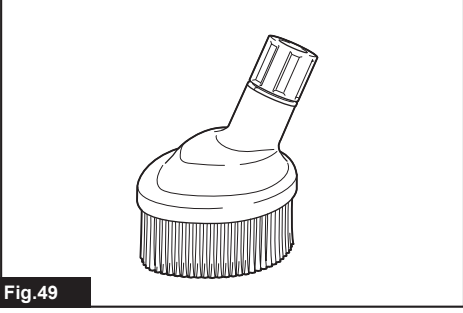


Fig.49

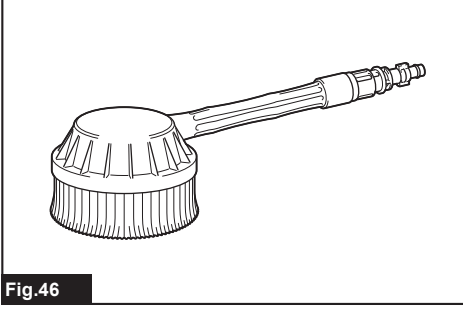


Fig.46

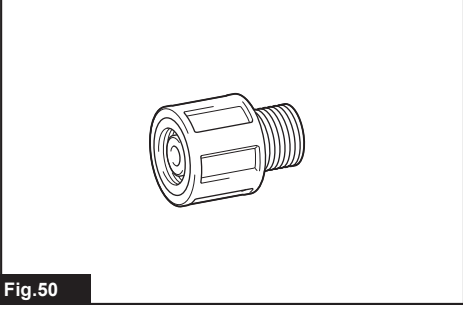


Fig.50

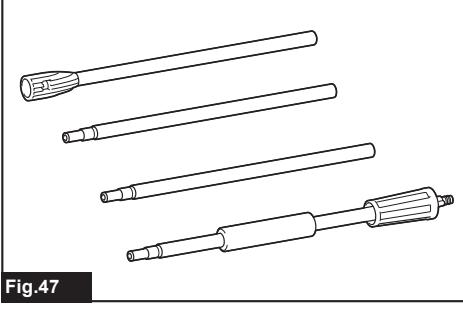


Fig.47

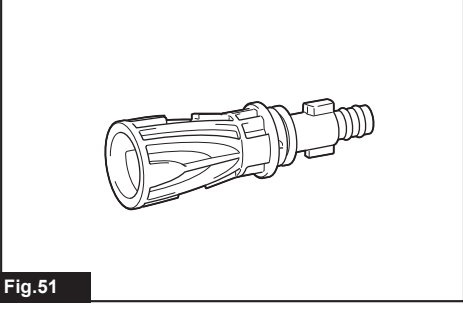
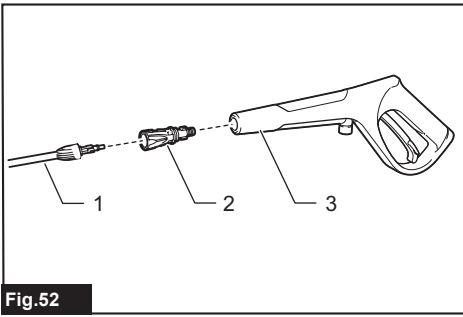
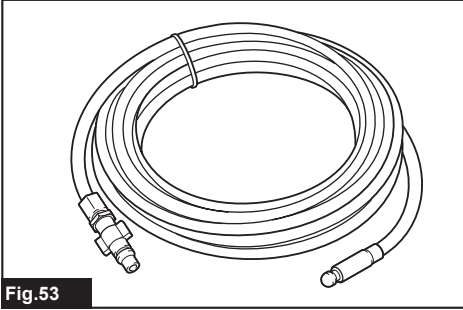


Fig.51

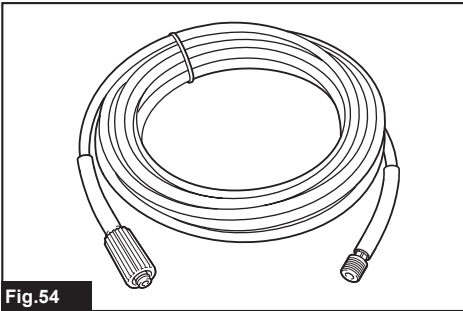




**Fig.52**



**Fig.53**



**Fig.54**

## WARNING

- Machines shall not be used by children. Children should be supervised to ensure that they do not play with the machine.
- This machine is not intended for use by persons (including children) with reduced physical, sensory, or mental capabilities, or lack of experience and knowledge.
- This machine has been designed for use with the cleaning agent supplied or recommended by the manufacturer. The use of other cleaning agents or chemicals may adversely affect the safety of the machine.
- High pressure jets can be dangerous if subject to misuse. The jet must not be directed at persons, live electrical equipment or the machine itself.
- Do not use the machine within range of persons unless they wear protective clothing.
- Do not direct the jet against yourself or others in order to clean clothes or foot-wear.
- Risk of explosion – Do not spray flammable liquids.
- High pressure cleaners shall not be used by children or untrained personnel.
- High pressure hoses, fittings and couplings are important for the safety of the machine. Use only hoses, fittings and couplings recommended by the manufacturer.
- To ensure machine safety, use only original spare parts from the manufacturer or approved by the manufacturer.
- Always be sure that the tool is switched off and battery cartridges are removed before carrying out any work on the tool.
- Do not use the machine if important parts of the machine are damaged, e.g. safety devices, high pressure hoses, trigger gun.
- Always remove the battery cartridges when leaving the machine unattended.
- Comply with the requirements of the local water supply company.
- For European countries:  
According to EN12729 (BA), the appliance can also be connected to the mains drinking water supply if a backflow preventer valve with drain facility is installed in the supply hose.

# SPECIFICATIONS

<b>Model:</b>	<b>DHW080</b>	
Max. feed volume <sup>*1</sup>	6.3 L/min	
Water flow rate <sup>*2</sup>	High mode	5.5 L/min
	Low mode	4.0 L/min
Max. permissible pressure	8.0 MPa	
Working pressure <sup>*2</sup>	High mode	5.5 MPa
	Low mode	3.0 MPa
Max. feed pressure	1.0 MPa	
Max. feed temperature	40 °C	
Max. suction height	1 m	
Rated voltage	D.C. 36 V	
Dimensions (L x W x H)	438 mm x 218 mm x 269 mm	
Weight	7.1 kg - 7.7 kg	

\*1 : When using the washing brush.

\*2 : When using the spray lance.

- Due to our continuing program of research and development, the specifications herein are subject to change without notice.
- Specifications may differ from country to country.
- The weight may differ depending on the attachment(s), including the battery cartridge. The lightest and heaviest combination, according to EPTA-Procedure 01/2014, are shown in the table.

## Applicable battery cartridge and charger

Battery cartridge	BL1815N / BL1820 / BL1820B / BL1830 / BL1830B / BL1840 / BL1840B / BL1850 / BL1850B / BL1860B
Charger	DC18RC / DC18RD / DC18RE / DC18SD / DC18SE / DC18SF / DC18SH

- Some of the battery cartridges and chargers listed above may not be available depending on your region of residence.

**⚠ WARNING: Only use the battery cartridges and chargers listed above.** Use of any other battery cartridges and chargers may cause injury and/or fire.

## Symbols

The followings show the symbols used for the equipment. Be sure that you understand their meaning before use.



Read the instruction manual.



Take particular care and attention.



Only for EU countries  
Do not dispose of electric equipment or battery pack together with household waste material!  
In observance of the European Directives, on Waste Electric and Electronic Equipment and Batteries and Accumulators and Waste Batteries and Accumulators and their implementation in accordance with national laws, electric equipment and batteries and battery pack(s) that have reached the end of their life must be collected separately and returned to an environmentally compatible recycling facility.



Do not connect to a potable water faucet.



Do not direct the jet at people including yourself, animals, and live electrical equipments.

## Intended use

This tool is intended for cleaning stubborn dirt by using water jet. This tool is intended for household use.

## Noise

The typical A-weighted noise level determined according to EN60335-2-79:

Sound pressure level ( $L_{pA}$ ) : 70.9 dB(A)

Uncertainty (K) : 3.6 dB(A)

The noise level under working may exceed 80 dB (A).

**NOTE:** The declared noise emission value(s) has been measured in accordance with a standard test method and may be used for comparing one tool with another.

**NOTE:** The declared noise emission value(s) may also be used in a preliminary assessment of exposure.

**⚠ WARNING:** Wear ear protection.

**⚠ WARNING:** The noise emission during actual use of the power tool can differ from the declared value(s) depending on the ways in which the tool is used especially what kind of workpiece is processed.

**⚠ WARNING:** Be sure to identify safety measures to protect the operator that are based on an estimation of exposure in the actual conditions of use (taking account of all parts of the operating cycle such as the times when the tool is switched off and when it is running idle in addition to the trigger time).

## Vibration

The vibration total value (tri-axial vector sum) determined according to EN60335-2-79:  
Vibration emission ( $a_h$ ) : 2.5 m/s<sup>2</sup> or less  
Uncertainty (K) : 1.5 m/s<sup>2</sup>

**NOTE:** The declared vibration total value(s) has been measured in accordance with a standard test method and may be used for comparing one tool with another.

**NOTE:** The declared vibration total value(s) may also be used in a preliminary assessment of exposure.

**⚠ WARNING:** The vibration emission during actual use of the power tool can differ from the declared value(s) depending on the ways in which the tool is used especially what kind of workpiece is processed.

**⚠ WARNING:** Be sure to identify safety measures to protect the operator that are based on an estimation of exposure in the actual conditions of use (taking account of all parts of the operating cycle such as the times when the tool is switched off and when it is running idle in addition to the trigger time).

## EC Declaration of Conformity

### For European countries only

The EC declaration of conformity is included as Annex A to this instruction manual.

## IMPORTANT SAFETY WARNINGS

**⚠ WARNING:** Read all safety warnings and all instructions. Failure to follow the warnings and instructions may result in electric shock, fire and/or serious injury.

### Save all warnings and instructions for future reference.

**WARNING** – When using this product, basic precautions should always be followed, including the following:

### Work area safety

1. Keep operating area clear of all persons.
2. Do not overreach or stand on unstable supports. Keep good footing and balance at all times.
3. Always place the high pressure washer body on a level and stable surface. Avoid areas where the ejected water will run or pool.
4. Before cleaning, check the surroundings and objects to be cleaned. High pressure jets can scrape away paint or other surface treatments including toxic chemicals. Take the preventive measures if necessary.
5. Be careful not to trip over by the hose of the high pressure washer. Always be aware of the configuration of the hose during operation.
6. During use, a small amount of water will come out from the bottom of the high pressure washer in the areas where you don't want to wet.

### Personal safety

1. To protect against the jet and objects by the jet, operators should wear appropriate clothing such as safety boots, safety gloves, safety helmets with visors, hearing protection, etc.
2. Do not use the high pressure washer within range of persons unless they wear protective clothing.
3. To reduce the risk of injury, close supervision is necessary when the product is used near children.
4. If connection is made to a potable water system, the system shall be protected against backflow.
5. Water that has flowed through backflow preventer is considered to be non-potable.

### Electrical safety

1. Never touch battery cartridges with wet hands.
2. Do not use the machine if the important parts of the machine are damaged, e.g. safety devices, high pressure hoses, or the trigger gun.

### Power tool use and care

1. Read all the instructions before using the product.
2. Know how to stop the high pressure washer and bleed pressures quickly. Be thoroughly familiar with the controls.
3. High pressure jets can be dangerous if mis-used. The jet must not be directed at people, live electrical equipment, or the machine itself.
4. This machine is not intended for use by persons (including children) with reduced physical, sensory, or mental capabilities, or lack of experience and knowledge.
5. Children should be supervised to ensure that they do not play with the appliance.
6. Do not spray flammable and/or toxic liquids. This may cause an explosion, intoxication, or damage to the machine.
7. Do not direct the jet against yourself or others in order to clean clothes or foot-wear.
8. High pressure hoses, fittings and couplings are important for the safety of the machine. Use only hoses, fittings and couplings recommended by the manufacturer.
9. Follow the instructions when changing accessories.

10. Keep handles dry, clean, and free of oil or grease.
  11. Stay alert – watch what you are doing.
  12. Do not operate the product when fatigued or under the influence of alcohol or drugs.
  13. Do not run the high pressure washer without water for longer than one minute. It will damage the motor, resulting in malfunction.
  14. Always turn off the power and shut off the water mains when leaving the high pressure washer unattended.
  15. Be wary of the kickback. The trigger gun recoils when the high pressure jet is ejected from the nozzle. Hold the trigger gun firmly to prevent accidental injuries.
  16. Check for damaged or worn parts before use. Also make sure that the hose is properly connected and there is no leakage during operation. Operating the machine with functional defects may cause an accident.
  17. This machine has been designed for use with the cleaning agent supplied or recommended by the manufacturer. The use of other cleaning agents or chemicals may adversely affect the safety of the machine.
  18. Do not pull the hose to move the high pressure washer body. This will damage the hose and connecting parts and result in a short circuit or functional defects.
  19. Do not put heavy objects on the hose or let vehicles drive over it.
  20. Always discharge the residual pressure in the trigger gun before disconnecting the hose.
  21. When connecting the hose to the water mains, observe the instructions of your local waterworks department or company.
  22. If the high pressure washer is dropped or hits against an hard object, be sure to check for damage and crack. Using the high pressure washer damaged may generate smoke, fire, or cause electric shock, which result in personal injury.
  23. During use of high pressure cleaners, aerosols may be formed. Inhalation of aerosols can be hazardous to health.
  24. Depending on the application, shielded nozzles can be used for high pressure cleaning, which will reduce the emission of hydrous aerosols dramatically. However, not all applications allow the use of such a device. If shielded nozzles are not applicable for the protection against aerosols, a respiratory mask of class FFP 2 or equivalent may be needed, depending on the cleaning environment.
  25. Prevent unintentional starting. Ensure the switch is in the off-position before connecting to battery pack, picking up or carrying the appliance. Carrying the appliance with your finger on the switch or energizing appliance that have the switch on invites accidents.
  26. Disconnect the battery pack from the appliance before making any adjustments, changing accessories, or storing appliance. Such preventive safety measures reduce the risk of starting the appliance accidentally.
  27. Do not modify or attempt to repair the appliance or the battery pack except as indicated in the instructions for use and care.
  28. **WARNING – Risk of Injection or Injury– Do Not Direct Discharge Stream At Persons.**
- Battery tool use and care**
1. **Recharge only with the charger specified by the manufacturer.** A charger that is suitable for one type of battery pack may create a risk of fire when used with another battery pack.
  2. **Use power tools only with specifically designated battery packs.** Use of any other battery packs may create a risk of injury and fire.
  3. **When battery pack is not in use, keep it away from other metal objects, like paper clips, coins, keys, nails, screws or other small metal objects, that can make a connection from one terminal to another.** Shorting the battery terminals together may cause burns or a fire.
  4. **Under abusive conditions, liquid may be ejected from the battery; avoid contact. If contact accidentally occurs, flush with water. If liquid contacts eyes, additionally seek medical help.** Liquid ejected from the battery may cause irritation or burns.
  5. **Do not use a battery pack or tool that is damaged or modified.** Damaged or modified batteries may exhibit unpredictable behaviour resulting in fire, explosion or risk of injury.
  6. **Do not expose a battery pack or tool to fire or excessive temperature.** Exposure to fire or temperature above 130 °C may cause explosion.
  7. **Follow all charging instructions and do not charge the battery pack or tool outside the temperature range specified in the instructions.** Charging improperly or at temperatures outside the specified range may damage the battery and increase the risk of fire.
- Service**
1. **Follow the maintenance instructions specified in the manual.**
  2. **To ensure machine safety, use only original spare parts from the manufacturer or approved by the manufacturer.**
  3. **Have your high pressure washer serviced by a qualified repair person using only identical replacement parts. This will ensure that the safety of the high pressure washer is maintained.**
  4. **In case of breakdown or malfunction of the high pressure washer, immediately switch it off and remove the battery cartridge(s). Contact your local dealer or service center.**
- Additional safety warnings**
1. **Comply with the requirements of the local water supply company.**
  2. **Do not use the tool when there is a risk of lightning.**
  3. **When you use the tool on muddy ground, wet slope, or slippery place, pay attention to your footing.**
  4. **Avoid working in poor environment where increased user fatigue is expected.**
  5. **Do not replace the battery in the rain.**

6. Do not submerge the tool into a puddle.
7. Do not leave the tool unattended outdoors in the rain.
8. When wet leaves or dirt adhere to the suction mouth (ventilation window) due to rain, remove them.
9. Do not wash the tool with high pressure water.
10. When washing the tool, do not let water enter the electrical mechanism such as battery, motor, and terminals.
11. When storing the tool, avoid direct sunlight and rain, and store it in a place where it does not get hot or humid.
12. Perform inspection or maintenance in a place where rain can be avoided.
13. After using the tool, remove the adhered dirt and dry the tool completely before storing. Depending on the season or the area, there is a risk of malfunction due to freezing.
14. Do not wet the terminal of battery with liquid such as water, or submerge the battery. Do not leave the battery in the rain, nor charge, use, or store the battery in a damp or wet place. If the terminal gets wet or liquid enters inside of battery, the battery may be short circuited and there is a risk of overheat, fire, or explosion.
15. After removing the battery from the tool or charger, be sure to attach the battery cover to the battery and store it in a dry place.
16. Do not replace the battery with wet hands.

#### Additional safety warnings

1. Comply with the requirements of the local water supply company.
2. Do not use a corded power supply such as battery adapter or portable power pack with this appliance. The cable of such power supply may hinder the operation and result in personal injury.

## SAVE THESE INSTRUCTIONS.

**⚠WARNING:** DO NOT let comfort or familiarity with product (gained from repeated use) replace strict adherence to safety rules for the subject product.

**MISUSE** or failure to follow the safety rules stated in this instruction manual may cause serious personal injury.

## Important safety instructions for battery cartridge

1. Before using battery cartridge, read all instructions and cautionary markings on (1) battery charger, (2) battery, and (3) product using battery.
2. Do not disassemble battery cartridge.
3. If operating time has become excessively shorter, stop operating immediately. It may result in a risk of overheating, possible burns and even an explosion.
4. If electrolyte gets into your eyes, rinse them out with clear water and seek medical attention right away. It may result in loss of your eyesight.

5. Do not short the battery cartridge:
  - (1) Do not touch the terminals with any conductive material.
  - (2) Avoid storing battery cartridge in a container with other metal objects such as nails, coins, etc.
  - (3) Do not expose battery cartridge to water or rain.

A battery short can cause a large current flow, overheating, possible burns and even a breakdown.
6. Do not store the tool and battery cartridge in locations where the temperature may reach or exceed 50 °C (122 °F).
7. Do not incinerate the battery cartridge even if it is severely damaged or is completely worn out. The battery cartridge can explode in a fire.
8. Be careful not to drop or strike battery.
9. Do not use a damaged battery.
10. The contained lithium-ion batteries are subject to the Dangerous Goods Legislation requirements. For commercial transports e.g. by third parties, forwarding agents, special requirement on packaging and labeling must be observed. For preparation of the item being shipped, consulting an expert for hazardous material is required. Please also observe possibly more detailed national regulations. Tape or mask off open contacts and pack up the battery in such a manner that it cannot move around in the packaging.
11. When disposing the battery cartridge, remove it from the tool and dispose of it in a safe place. Follow your local regulations relating to disposal of battery.
12. Use the batteries only with the products specified by Makita. Installing the batteries to non-compliant products may result in a fire, excessive heat, explosion, or leak of electrolyte.
13. If the tool is not used for a long period of time, the battery must be removed from the tool.

## SAVE THESE INSTRUCTIONS.

**⚠CAUTION:** Only use genuine Makita batteries. Use of non-genuine Makita batteries, or batteries that have been altered, may result in the battery bursting causing fires, personal injury and damage. It will also void the Makita warranty for the Makita tool and charger.

## Tips for maintaining maximum battery life

1. Charge the battery cartridge before completely discharged. Always stop tool operation and charge the battery cartridge when you notice less tool power.
2. Never recharge a fully charged battery cartridge. Overcharging shortens the battery service life.
3. Charge the battery cartridge with room temperature at 10 °C - 40 °C (50 °F - 104 °F). Let a hot battery cartridge cool down before charging it.
4. Charge the battery cartridge if you do not use it for a long period (more than six months).

## FUNCTIONAL DESCRIPTION

**CAUTION:** Always be sure that the tool is switched off and the battery cartridge is removed before adjusting or checking function on the tool.

### Installing or removing battery cartridge

**CAUTION:** Always switch off the tool before installing or removing of the battery cartridge.

**CAUTION:** Hold the tool and the battery cartridge firmly when installing or removing battery cartridge. Failure to hold the tool and the battery cartridge firmly may cause them to slip off your hands and result in damage to the tool and battery cartridge and a personal injury.

To install the battery cartridge, open the cover while pushing the lock lever. Align the tongue on the battery cartridge with the groove in the housing and slip it into place. Insert it all the way until it locks in place with a little click. If you can see the red indicator on the upper side of the button, it is not locked completely. After installing or removing the battery cartridges, be sure to close the cover.

► Fig.1: 1. Cover 2. Lock lever

To remove the battery cartridges, lift the battery cartridge while pushing the button on the front of the cartridge.

► Fig.2: 1. Red indicator 2. Button 3. Battery cartridge

**CAUTION:** Always install the battery cartridge fully until the red indicator cannot be seen. If not, it may accidentally fall out of the tool, causing injury to you or someone around you.

**CAUTION:** Do not install the battery cartridge forcibly. If the cartridge does not slide in easily, it is not being inserted correctly.

**CAUTION:** Be sure to lock the cover before operating.

### Tool / battery protection system

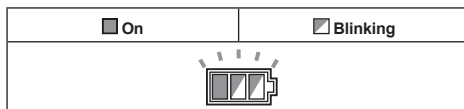
The tool is equipped with a tool/battery protection system. This system automatically cuts off power to the motor to extend tool and battery life. The tool will automatically stop during operation if the tool or battery is placed under one of the following conditions:

#### Overload protection

When the battery is operated in a manner that causes it to draw an abnormally high current, the tool automatically stops without any indication. In this situation, turn the tool off and stop the application that caused the tool to become overloaded. Then turn the tool on to restart.

#### Overheat protection

When the tool is overheated, the tool stops automatically and the battery indicator blinks. In this situation, let the tool cool down before turning the tool on again.



#### Overdischarge protection

When the battery capacity is not enough, the tool stops automatically. In this case, remove the battery from the tool and charge the battery.

### Indicating the remaining battery capacity

**Only for battery cartridges with the indicator**

► Fig.3: 1. Indicator lamps 2. Check button

Press the check button on the battery cartridge to indicate the remaining battery capacity. The indicator lamps light up for a few seconds.

Indicator lamps			Remaining capacity
Lighted	Off	Blinking	
■ ■ ■ ■			75% to 100%
■ ■ ■ □			50% to 75%
■ ■ □ □			25% to 50%
■ □ □ □			0% to 25%
▣ □ □ □			Charge the battery.
■ ■ □ □			The battery may have malfunctioned.
□ □ ■ ■			


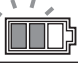
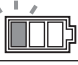

**NOTE:** Depending on the conditions of use and the ambient temperature, the indication may differ slightly from the actual capacity.

### Indicating the remaining battery capacity

**NOTICE:** The battery indicator does not light when the power switch is in OFF position. To check the remaining battery capacity, turn the power switch to high or low pressure mode.

Press the check button to indicate the remaining battery capacities. The battery indicators correspond to each battery.

► Fig.4: 1. Battery indicator 2. Check button

Battery indicator status			Remaining battery capacity
On	Off	Blinking	
			50% to 100%
			20% to 50%
			0% to 20%
			Charge the battery

## Power switch

**NOTICE:** Do not turn the power switch forcibly. This may cause the switch to malfunction.

Turn the power switch clockwise or counterclockwise depending on the pressure level. Turn the power switch clockwise for high pressure mode, counterclockwise for low pressure mode.

► **Fig.5:** 1. Low pressure mode 2. OFF position 3. High pressure mode

**NOTE:** The battery indicators will light up for a few seconds when turning the power switch to high or low pressure mode.

## Nozzle functions

**NOTE:** The standard nozzles vary depending on the country. Also refer to the OPTIONAL ACCESSORIES section for other nozzles.

## Spray lance

### Country specific

► **Fig.6**

Jet width can be adjusted from 0° to 25° by rotating the front end of the nozzle.

**CAUTION:** When adjusting the jet width, do not rotate the nozzle while pulling it toward the trigger gun. The nozzle may come off from the trigger gun and cause a personal injury.

## Dirt blaster

### Country specific

► **Fig.7**

A spiral jet is ejected. Suitable for removing stubborn dirt.

**NOTICE:** Do not use the dirt blaster to clean fragile surfaces such as windows or car bodies.

## Trigger operations

Pull the trigger to eject a water jet. The jet continues as long as the trigger is squeezed. The trigger can be locked for safe handling of the trigger gun. To lock the trigger, pull out the stopper and hook it to the groove on the grip.

► **Fig.8:** 1. Trigger 2. Stopper 3. Groove

**NOTICE:** To avoid mechanical error in the pressure switch, always leave a two-second interval between trigger operations.

## Safety valve

This appliance is equipped with a safety valve that prevents undue overpressure. When the trigger is released, the valve opens and the water recirculates through the pump inlet.

**CAUTION:** Do not tamper with or adjust the safety valve setting.

## Supplying water from a tank/reservoir

You can supply water from a tank or reservoir instead of a faucet.

Replace the water hose connector with the suction hose set. When connecting the suction hose set, disconnect the filter case from the hose and attach the filter case to the inlet of the high pressure washer. Then, connect the hose to the filter case.

**NOTE:** When removing/connecting the hose from/to the filter case, turn the sleeve while holding the hose so that the hose does not rotate with the sleeve.

► **Fig.9:** 1. Tank/reservoir 2. Suction hose set 3. Water hose connector 4. Hose 5. Filter case 6. Inlet on the high pressure washer 7. Hose band 8. Sleeve

**CAUTION:** When attaching the sleeve to the filter case, be careful not to hurt your hand by the hose band.

**NOTICE:** Always use Makita's suction hose set.

**NOTICE:** Always keep 1 m (3.28 ft) or less in height between the inlet of the high pressure washer and the water surface. Otherwise, the high pressure washer will be unable to take the water up into the pump.

To introduce water into the hose, remove the nozzle from the trigger gun and switch on the high pressure washer while the trigger is squeezed. Once water is ejected stably from the trigger gun, release the trigger and attach the nozzle for your purpose.

► **Fig.10:** 1. Trigger gun

**NOTE:** When water is not ejected, detach the suction hose set and soak it in water. Then reconnect it to the high-pressure washer.

► **Fig.11:** 1. Suction hose set



## When using the container as a water tank

You can use the container supplied with the high pressure washer (country specific) as a water tank.

1. Empty the container and feed water in it.

► **Fig.12:** 1. Full water level line

**NOTICE:** Do not feed water above the full water level line.

**NOTICE:** The lid of the container is not a tight seal type. Be careful not to spill the water in the container when carrying.

2. Disconnect the filter case from the hose of the suction hose set.

► **Fig.13:** 1. Hose 2. Filter case

3. Remove the cap on the feed-water inlet and pass the suction hose set through the inlet as illustrated.

► **Fig.14:** 1. Cap 2. Cap holder 3. Feed-water inlet 4. Suction hose set

**NOTE:** The cap on the feed-water inlet can be rest on the cap holder.

4. Remove the water hose connector from the inlet of the high pressure washer. After that, connect the filter case to the inlet and then hose to the filter case.

► **Fig.15:** 1. Inlet of the high pressure washer 2. Filter case 3. Water hose connector 4. Hose

5. Put the high pressure washer onto the container so that it is secured with the mounts on the lid of the container.

► **Fig.16:** 1. High pressure washer 2. Lid 3. Air bleeding hole

**NOTICE:** Pay attention to the handling of the container when carrying. Carrying the container with high pressure washer and accessories or water inside may cause accident or personal injury due to its own weight.

**NOTICE:** When carrying the container, do not shake, turn over, or lean it excessively. Doing so may cause;

- the water inside spilled out;
- the high pressure washer on the lid dropped off from the container or;
- the rotation of the container's wheels hindered.

**NOTICE:** When carrying the container by the handle, water may spill out if there is plenty of water inside.

**NOTICE:** Water may come out from the air bleeding hole if the water inside reaches to the air bleeding hole by tilting the container.

**NOTICE:** Do not step on the container. The lid may be broken.

**NOTICE:** Do not leave the container filled with water for a long time. Doing so may cause the container damaged and result in water leakage.

After use, follow the procedure below:

1. Remove the cap on the drain outlet and discharge water.

► **Fig.17:** 1. Drain outlet

2. Wipe off the moisture inside of the container using a cloth and then dry the container completely.

**NOTICE:** Do not store the high pressure washer and the accessories while the inside of the container is wet. Remaining moisture may cause malfunction and rust.

## ASSEMBLY

**CAUTION:** Always be sure that the tool is switched off and the battery cartridge is removed before carrying out any work on the tool.

### Connecting the high-pressure hose

Connect the high-pressure hose to the outlet (with the gun marking). Turn the nut on the high-pressure hose clockwise while screwing it onto the screw thread of the outlet.

► **Fig.18:** 1. Outlet 2. Nut

**CAUTION:** Make sure that the high-pressure hose is securely connected. A loose connection may blow the high-pressure hose off, resulting in a personal injury.

### Attaching the trigger gun

Connect the high-pressure hose to the inlet on the trigger gun. Turn the nut on the high-pressure hose clockwise while screwing it onto the screw thread on the inlet.

► **Fig.19:** 1. Inlet 2. Nut

**CAUTION:** Make sure that the high-pressure hose is securely connected. A loose connection may blow the high-pressure hose off, resulting in a personal injury.

### Connecting to a faucet

**CAUTION:** Always use a pressure-resistant water hose with  $\varnothing$  13 mm or larger diameter and connect to the faucet using a proper fittings.

Otherwise, the water hose and/or the fitting may break and cause personal injury.

**NOTICE:** Use a pressure-resistant water hose as short as possible. The amount of intake water should be higher than the max feed volume of the pump.

**NOTICE:** If you connect to the mains for drinking water, use a backflow preventer valve which meets the regulations in your region.

Prepare a pressure-resistant water hose. Attach the coupling sleeve to one end and connect the other end to the faucet as follows.

1. Remove the nut on the coupling sleeve and pass the pressure-resistant water hose through the nut. Insert the end of the hose into the coupling sleeve and then tighten the nut.

► **Fig.20:** 1. Pressure-resistant water hose 2. Nut of the coupling sleeve 3. Coupling sleeve

**NOTE:** If you want to connect the pressure-resistant water hose to the faucet using a coupling sleeve, prepare another coupling sleeve and attach it to the other end of the hose.

2. Connect the pressure-resistant water hose to the faucet. Apply a suitable fitting such as hose band or water tap joint to secure the hose end with the faucet.  
▶ **Fig.21:** 1. Hose band 2. Water tap joint 3. Pressure-resistant water hose

**NOTE:** The fitting depends on the shape of the faucet to which you connect. Prepare a suitable commercially-bought fitting.

3. Attach the water hose connector to the inlet (with the faucet marking) and then insert the coupling sleeve.  
▶ **Fig.22:** 1. Coupling sleeve 2. Water hose connector 3. Inlet on the high pressure washer

## Connecting/disconnecting the nozzle

**CAUTION:** Always lock the trigger of the trigger gun when connecting/disconnecting the nozzle.

Insert the end of the nozzle into the slot on the trigger gun and turn it in the direction of the arrow as shown in the figure. To disconnect the nozzle, turn the nozzle in the reverse direction while pressing it toward the trigger gun.

- ▶ **Fig.23:** 1. Trigger gun 2. Slot 3. End of the nozzle

## Connecting the foam nozzle

### Optional accessory

**CAUTION:** Always lock the trigger of the trigger gun when connecting/disconnecting the nozzle.

Prepare detergent before using the foam nozzle.

1. Remove the nozzle from the tank by rotating the nozzle counterclockwise. Attach the nozzle to the trigger gun.  
▶ **Fig.24:** 1. Nozzle 2. Trigger gun
2. Pour the detergent into the tank and install it to the nozzle.  
▶ **Fig.25:** 1. Tank

**NOTICE:** Always use neutral detergent. Acidic or alkaline detergent may damage the tank or nozzle.

## Placing plastic carrying case onto the container

### Optional accessory

You can place Makita plastic carrying case on the top of the container. Put the plastic carrying case onto the container so that it is secured with the mounts on the lid of the container.

- ▶ **Fig.26:** 1. Plastic carrying case 2. Mount

## Placing the container onto the trolley

### Optional accessory

When carrying the container with Makita trolley, place the container in position. Be sure that the bottom of the container fits into the platform of the trolley.

- ▶ **Fig.27:** 1. Bottom surface of the container  
2. Platform of the trolley

**CAUTION:** When using the trolley, do not carry the container filled with water. Doing so may lose the balance and result in personal injury or cause deformation of the container which leads to water leakage.

## OPERATION

**WARNING:** Do not touch the water jet or direct it toward yourself or others. The water jet is dangerous and can hurt you or others.

**WARNING:** When shooting the water jet, never hold the object that you are cleaning or place your hands and feet near the water jet.

**CAUTION:** Stay alert to the rebound of the water jet and blown objects. Do not bring the nozzle to the object closer to 30 cm .

**CAUTION:** Do not run the high pressure washer without water for longer than 1 minute.

**CAUTION:** Do not operate the high pressure washer for an extended period of time. This may cause overheating or fire. Also, long-term use may cause vibration disorder.

**CAUTION:** Be aware of the direction of the wind. If the detergent gets into your eyes or mouth, rinse with fresh water immediately and seek medical attention if necessary.

**NOTICE:** Avoid using the high pressure washer for longer than 1 hour. After using it for 1 hour, leave a same length of intermission.

**NOTICE:** To protect the mechanism of the high pressure washer, do not use water hotter than 40°C.

1. Connect one end of the high-pressure hose to the trigger gun and the other end to the high pressure washer.
2. Connect the high pressure washer and the faucet using a water hose. After that, open the faucet.  
▶ **Fig.28**
3. Open the cover and install the battery cartridges into the high pressure washer and then lock the cover.  
▶ **Fig.29:** 1. Battery cartridge 2. Cover
4. Turn the power switch to your desired mode.  
▶ **Fig.30:** 1. Low pressure mode 2. OFF position 3. High pressure mode
5. To eject a water jet, unlock the stopper and squeeze the trigger. The jet continues as long as the trigger is squeezed.  
▶ **Fig.31:** 1. Stopper

**CAUTION:** Hold the trigger gun firmly. The trigger gun recoils when you pull the trigger.

**CAUTION:** Always hold the trigger gun by the grip and barrel when ejecting water jet.

**NOTICE:** Be careful not to pull the trigger gun forcibly during operation. It may cause the high pressure washer to fall over.

When you suspend the operation, you can temporarily place the trigger gun as shown in the figure.

► Fig.32

## After use

**CAUTION:** After operating the high pressure washer, always perform the procedure described in this manual. Residual pressure in the trigger gun or high pressure washer can cause personal injury or damage to the pump inside.

1. Switch off the high pressure washer.
2. Close the faucet and disconnect the water hose from the high pressure washer.

► Fig.33

3. Switch on the high pressure washer again.
4. Squeeze the trigger until the remaining water in the high pressure washer is discharged.

► Fig.34

**NOTICE:** Do not run the motor for longer than 1 minute.

5. Switch off the high pressure washer and remove the battery cartridges.

► Fig.35: 1. Power switch 2. Battery cartridge

6. Disconnect the high-pressure hose from the trigger gun and the high pressure washer.

► Fig.36: 1. Trigger gun 2. High-pressure hose  
3. High-pressure washer

**NOTICE:** To prevent the high-pressure hose from being damaged, remove the remaining water in the hose before storing.

## MAINTENANCE & STORAGE

**CAUTION:** Always be sure that the tool is switched off and battery cartridge is removed before attempting to perform inspection or maintenance.

**NOTICE:** Never use gasoline, benzine, thinner, alcohol or the like. Discoloration, deformation or cracks may result.

To maintain product SAFETY and RELIABILITY, repairs, any other maintenance or adjustment should be performed by Makita Authorized or Factory Service Centers, always using Makita replacement parts.

## Cleaning the nozzle

Use the cleaner pin to remove dirt from or unplug the nozzle.

► Fig.37: 1. Cleaner pin

**NOTICE:** Do not remove dirt or debris forcibly. This may result in personal injury or damage to the ejection hole causing deviated jet angles or poor performance.

## Cleaning the filter

Detach the water hose connector and remove dirt and debris from the inside of the filter.

► Fig.38: 1. Water hose connector 2. Filter 3. Sealing ring

When using the suction hose set (optional accessory), take the filter out of the filter case and remove dirt and debris.

► Fig.39: 1. Filter 2. Filter case

**NOTE:** To maintain the optimal performance, clean the filter periodically.

## Storage

**CAUTION:** Always store in an indoor location where the temperature does not go below freezing. If the high pressure washer freezes and malfunctions, contact your local service center for repairs.

Store the accessories in the side pocket of the high pressure washer.

### Storage example

► Fig.40: 1. High-pressure hose 2. Nozzle 3. Trigger gun

If your model is supplied with the container, store the high pressure washer and accessories in it.

### Storage example

► Fig.41: 1. High pressure washer 2. Nozzle  
3. Trigger gun 4. Washing brush 5. Foam nozzle 6. High-pressure hose 7. Charger  
8. Suction hose set 9. Pressure-resistant water hose

**NOTE:** Some accessories shown in the illustration are supplied as optional accessories in some countries.

# TROUBLESHOOTING

Before asking for repairs, conduct your own inspection first. If you find a problem that is not explained in the manual, do not attempt to dismantle the tool. Instead, ask Makita Authorized Service Centers, always using Makita replacement parts for repairs.

State of abnormality	Probable cause (malfunction)	Remedy
The washer does not start.	No electricity	Install charged battery cartridges.
	The switch is not turned on.	Turn on the switch.
	Residual pressure in the pump	Pull the trigger.
	Damaged battery or electric circuit	Contact an authorized service center for repairs.
No water jet / weak water jet	No water supply	Make sure that the faucet is open. If using the suction hose set, introduce water into the hose.
	Poor water supply	Turn on the faucet.
	Poor water hose connection	Check the connection between the high pressure washer and the water faucet.
	Clogged hose, filter, or nozzle	Unclog the hose, filter, or nozzle.
	Air is blocking the flow of water.	Turn off the switch and then turn it on again while squeezing the trigger.
	Damaged or worn nozzle	Replace the nozzle.
	Pump or valve malfunction	Contact an authorized service center for repairs.
Unstable water jet	Clogged nozzle	Unclog on the ejection hole of the nozzle using the cleaner pin.
	Poor water suction	Check the water hose starting from the faucet for any leakage or clogs. Turn on the faucet.
	The water is too hot.	Supply cooler water.
	Valve malfunction	Contact an authorized service center for repairs.
Abnormal sound	The water is too hot.	Supply cooler water.
	Air is stuck in the pump.	Contact an authorized service center for repairs.
Water leakage	Poor connection	Check the connection between the high pressure washer and trigger gun and as well as the water faucet.
	Worn out sealings	Contact an authorized service center for repairs.

## OPTIONAL ACCESSORIES

**⚠ CAUTION:** These accessories or attachments are recommended for use with your Makita tool specified in this manual. The use of any other accessories or attachments might present a risk of injury to persons. Only use accessory or attachment for its stated purpose.

If you need any assistance for more details regarding these accessories, ask your local Makita Service Center.

**NOTE:** Some items in the list may be included in the tool package as standard accessories. They may differ from country to country.

### Vario-Power spray lance

► Fig.42

Jet pressure can be adjusted by rotating the nozzle.

**⚠ CAUTION:** When adjusting the jet pressure, do not rotate the nozzle while pulling it toward the trigger gun. The nozzle may come off from the trigger gun and cause a personal injury.

### Foam nozzle

**Country specific**

► Fig.43

Detergent can be sprayed as foam.

### Washing brush (long)

► Fig.44

A nozzle equipped with a brush. Useful for washing out dirt while scrubbing with brush.

### Suction hose set

► Fig.45

Replace the water hose with this set to supply water from a tank or reservoir.

## Rotating wash brush

### ► Fig.46

Three brushes inside rotate slowly when ejecting the jet. Suitable for cleaning light dirt on a exterior wall, car body, bath tub, etc.

## Lance extension

### ► Fig.47

Pipes to extend the length of the trigger gun. Three different lengths are available by changing the number of the pipes to be used.

## Under body spray lance

### ► Fig.48

An extra long spray lance with angled nozzle. Best for cleaning hard-to-reach areas such as car under body and roof gutter.

**⚠CAUTION:** Do not use the under body spray lance with the lance extension.

## Splash guard

### ► Fig.49

Reduces splash back when cleaning corners with the dirt blaster.

## Swivel joint

### ► Fig.50

Prevents the high-pressure hose from being twisted.

## Connecting joint

### ► Fig.51

A joint to connect with a nozzle from other model.

Some optional nozzles require the connecting joint (optional accessory) to attach to the trigger gun. Attach the connecting joint to the trigger gun in the same way as the nozzle.

► Fig.52: 1. Nozzle 2. Connecting joint 3. Trigger gun

**NOTE:** The connecting joint is needed when using the nozzles included with another model, HW112 or HW121.

## Pipe-cleaning set (10 m/15 m)

### ► Fig.53

For cleaning and unclogging plumbing and downpipes.

**⚠CAUTION:** Pay particular attention to the water jet when using the pipe cleaning set. Highly intense water jet is ejected backward. Be sure to insert the hose head into the pipe before pulling the trigger.

## Extension high-pressure hose

### (5 m/8 m/10 m)

### ► Fig.54

Extension hose to connect the high pressure washer body with the trigger gun.

## VARNING

- Maskiner får inte användas av barn. Barn ska övervakas så att de inte leker med maskinen.
- Denna maskin är inte avsedd för användning av personer (inklusive barn) med nedsatta fysiska, sensoriska eller mentala förmågor, eller som inte har tillräcklig erfarenhet eller kunskap.
- Denna maskin har utformats för användning med det rengöringsmedel som levereras eller rekommenderas av tillverkaren. Att använda andra rengöringsmedel eller kemikalier kan påverka maskinsäkerheten negativt.
- Högtrycksstrålar kan vara farliga om de används på fel sätt. Strålen får inte riktas mot personer, mot strömförande elektrisk utrustning eller mot själva maskinen.
- Använd inte maskinen där människor är inom räckhåll, såvida de inte bär skyddskläder.
- Rikta inte strålen mot dig själv eller andra för att rengöra kläder eller skor.
- Explosionsrisk – spruta inte brandfarliga vätskor.
- Högtryckstvättar får inte användas av barn eller utbildad personal.
- Högtrycksslangar, kopplingar och anslutningsdon är viktiga för maskinens säkerhet. Använd endast slangar, kopplingar och anslutningsdon som rekommenderas av tillverkaren.
- För att trygga maskinens säkerhet ska du endast använda originalreservdelar från tillverkaren eller som har godkänts av tillverkaren.
- Se alltid till att verktyget är avstängt och att batterikassetten är borttagen innan du utför något arbete på verktyget.
- Använd inte verktyget om viktiga delar av det är skadade, t.ex. säkerhetsanordningar, högtrycksslangar eller avtryckarpistol.
- Ta alltid bort batterikassetterna när du lämnar verktyget obevakat.
- Följ kraven från det lokala vattenverket.
- För Europeiska länder:  
I enlighet med EN12729 (BA) kan apparaten även anslutas till det kommunala vattennätet om en backventil med dräneringsfunktion monteras på matningsslangen.

# SPECIFIKATIONER

<b>Modell:</b>		<b>DHW080</b>
Max matningsvolym <sup>*1</sup>		6,3 l/min
Vattenflödes hastighet <sup>*2</sup>	Högt läge	5,5 l/min
	Lågt läge	4,0 l/min
Max tillåtet tryck		8,0 MPa
Arbetstryck <sup>*2</sup>	Högt läge	5,5 MPa
	Lågt läge	3,0 MPa
Max matningstryck		1,0 MPa
Max matningstemperatur		40 °C
Max sughöjd		1 m
Märkspänning		36 V likström
Dimensioner (L x B x H)		438 mm x 218 mm x 269 mm
Vikt		7,1 - 7,7 kg

\*1: När tvättborsten används.

\*2: När sprutlansen används.

- På grund av vårt pågående program för forskning och utveckling kan dessa specifikationer ändras utan föregående meddelande.
- Specifikationer kan variera mellan olika länder.
- Vikten kan variera beroende på tillbehören, inklusive batterikassett. Den lättaste och den tyngsta kombinationen enligt EPTA-procedur 01/2014 visas i tabellen.

## Tillgänglig batterikassett och laddare

Batterikassett	BL1815N / BL1820 / BL1820B / BL1830 / BL1830B / BL1840 / BL1840B / BL1850 / BL1850B / BL1860B
Laddare	DC18RC / DC18RD / DC18RE / DC18SD / DC18SE / DC18SF / DC18SH

- Vissa av batterikassetterna och laddarna på listan ovan kanske inte finns tillgängliga i din region.

**⚠ VARNING: Använd endast batterikassetter och laddare från listan ovan.** Användning av andra batterikassetter och laddare kan orsaka personskada och/eller brand.

## Symboler

Följande visar symbolerna som används för utrustningen. Se till att du förstår innebörden innan du använder bormaskinen.



Läs igenom bruksanvisningen.



Var extra försiktig och uppmärksam.



Gäller endast inom EU  
Elektrisk utrustning eller batteripaket får inte kastas i hushållsavfallet!  
Enligt EU-direktiven som avser förbrukad elektrisk och elektronisk utrustning, batterier, ackumulatörer, förbrukade batterier och batteripaket sorteras separat och lämnas till lämplig enligt nationell lagstiftning, ska uttjänt elektrisk utrustning, batterier och batteripaket sorteras separat och lämnas till miljövänlig återvinning.



Anslut inte till en dricksvattenkran.



Rikta inte strålen mot personer, däribland du själv och djur, eller mot strömförande elektrisk utrustning.

## Avsedd användning

Denna maskin är avsedd för att rensa bort envis smuts med en vattenstråle. Denna maskin är avsedd för att användas i hushåll.

## Buller

Den normala bullernivån för A-belastning är bestämd enligt EN60335-2-79:  
Ljudtrycksnivå ( $L_{pA}$ ) : 70,9 dB (A)  
Måttolerans (K): 3,6 dB (A)

Bullernivån vid arbete kan överstiga 80 dB (A).

**OBS:** Det deklarerade bullervärdet har uppmätts i enlighet med standardtestmetoden och kan användas för jämförandet av en maskin med en annan.

**OBS:** Det deklarerade bulleremissionsvärdet kan också användas i en preliminär bedömning av exponering för vibration.

**⚠ VARNING:** Använd hörselskydd.

**⚠ VARNING:** Bulleremissionen under faktisk användning av maskinen kan skilja sig från det deklarerade värdet, beroende på hur maskinen används och särskilt vilken typ av arbetsstycke som behandlas.

**⚠ VARNING:** Var noga med att identifiera säkerhetsåtgärder för att skydda användaren, vilka är grundade på en uppskattning av graden av exponering för vibrationer under de faktiska användningsförhållandena, (ta, förutom avtryckartiden, med alla delar av användarcykeln i beräkningen, som till exempel tiden då maskinen är avstängd och när den går på tomgång).

## Vibration

Det totala vibrationsvärdet (treaxlad vektorsumma) bestämt enligt EN60335-2-79:

Vibrationsemission ( $a_v$ ): 2,5 m/s<sup>2</sup> eller lägre

Måttolerans (K): 1,5 m/s<sup>2</sup>

**OBS:** Det deklarerade totala vibrationsvärdet har uppmätts i enlighet med standardtestmetoden och kan användas för jämförandet av en maskin med en annan.

**OBS:** Det deklarerade totala vibrationsvärdet kan också användas i en preliminär bedömning av exponering för vibration.

**⚠ VARNING:** Vibrationsemissionen under faktisk användning av maskinen kan skilja sig från det deklarerade värdet, beroende på hur maskinen används och särskilt vilken typ av arbetsstycke som behandlas.

**⚠ VARNING:** Var noga med att identifiera säkerhetsåtgärder för att skydda användaren, vilka är grundade på en uppskattning av graden av exponering för vibrationer under de faktiska användningsförhållandena, (ta, förutom avtryckartiden, med alla delar av användarcykeln i beräkningen, som till exempel tiden då maskinen är avstängd och när den går på tomgång).

## EG-försäkran om överensstämmelse

*Gäller endast inom EU*

EG-försäkran om överensstämmelse inkluderas som bilaga A till denna bruksanvisning.

## VIKTIGA SÄKERHETSVARNINGAR

**⚠ VARNING:** Läs igenom alla säkerhetsvarningar och anvisningar. Underlåtenhet att följa varningar och instruktioner kan leda till elstötar, brand och/eller allvarliga personskador.

## Spara alla varningar och instruktioner för framtida referens.

**VARNING** – När du använder denna produkt ska grundläggande försiktighetsåtgärder alltid följas, inklusive följande:

Säkerhet på arbetsplatsen

1. Håll alla personer borta från arbetsområdet.
2. Sträck dig inte och stå inte på instabila underlag. Stå alltid stabilt och ha god balans hela tiden.
3. Placera alltid högtryckstvättens stomme på ett jämnt och stabilt underlag. Undvik områden där det utsprutade vattnet rinner eller samlas i pölar.
4. Kontrollera omgivningarna och föremålen som ska rengöras innan rengöringen inleds. Högtrycksstrålar kan skrapa bort färg eller annan ytbehandling, däribland giftiga kemikalier. Vidta förebyggande åtgärder om det behövs.
5. Var noga med att inte snubbla över högtryckstvättens slang. Var alltid medveten om hur slangen är dragen under användning.
6. Under användning kommer en liten mängd vatten ut ur underdelen av högtryckstvätten. Undvik att placera högtryckstvätten i de områden där du inte vill att det ska vara blött.

Personskydd

1. För att skydda sig mot strålen och mot föremål från strålen ska användarna ha på sig lämplig klädsel, som skyddsskängor, skyddshandskar, skyddshjälm med visir, hörselskydd osv.
2. Använd inte högtryckstvätten där människor är inom räckhåll, såvida de inte bär skyddskläder.
3. För att minska risken för skador är det nödvändigt med noggrann övervakning när produkten används i närheten av barn.
4. Om anslutning görs till ett dricksvattensystem, ska systemet skyddas mot återsugning.
5. Vatten som har flödat genom återsugningsskyddet anses ej vara drickbart.

Elsäkerhet

1. Rör aldrig vid batterikassetterna med blöta händer.
2. Använd inte verktyget om dess viktiga delar är skadade, t.ex. säkerhetsanordning, högtrycksslangar eller avtryckarpistolen.

Användning och underhåll av maskinen

1. Läs alla instruktioner innan produkten används.
2. Var medveten om hur man stoppar högtryckstvätten och snabbt lättar på trycket. Se till att vara ordentligt insatt i kontrollerna.
3. Högtrycksstrålar kan vara farliga om de används felaktigt. Strålen får inte riktas mot människor, mot strömförande elektrisk utrustning eller mot själva maskinen.
4. Denna maskin är inte avsedd för användning av personer (inklusive barn) med nedsatta fysiska, sensoriska eller mentala förmågor, eller som inte har tillräcklig erfarenhet eller kunskap.
5. Barn ska övervakas så att de inte leker med maskinen.
6. Spruta inte brandfarliga och/eller giftiga vätskor. Det kan orsaka explosion, förgiftning eller skada på maskinen.
7. Rikta inte strålen mot dig själv eller andra för att rengöra kläder eller skor.



8. Högtrycksslangar, kopplingar och anslutningsdon är viktiga för maskinens säkerhet. Använd endast slangar, kopplingar och anslutningsdon som rekommenderas av tillverkaren.
  9. Följ anvisningarna vid byte av tillbehör.
  10. Håll handtagen torra, rena och fria från olja och fett.
  11. Var uppmärksam – se upp med vad du gör.
  12. Använd inte produkten när du är trött eller påverkad av alkohol eller läkemedel.
  13. Kör inte högtryckstvätten utan vatten längre än en minut. Det skadar motorn med funktionsfel som följd.
  14. Stäng alltid av strömmen och stäng av vattentillförseln när högtryckstvätten lämnas obebakad.
  15. Se upp för bakåtkast. Avtryckarpistolen studsar tillbaka när högtrycksstrålen sprutas ut från munstycket. Håll avtryckarpistolen stadigt för att förebygga olyckshändelser med skador.
  16. Titta efter skadade eller slitna delar före användning. Se också till att slangen är korrekt ansluten och att det inte är något läckage under användning. Att använda maskinen med funktionella defekter kan orsaka olycka.
  17. Denna maskin har utformats för användning med det rengöringsmedel som levereras eller rekommenderas av tillverkaren. Att använda andra rengöringsmedel eller kemikalier kan påverka maskinsäkerheten negativt.
  18. Dra inte i slangen för att ta bort högtryckstvättens stomme. Detta skadar slangen och anslutningsdelar och leder till kortslutning eller funktionella brister.
  19. Ställ inte tunga föremål på slangen och låt inte fordon köra över den.
  20. Lätta alltid på det kvarvarande trycket i avtryckarpistolen innan slangen kopplas från.
  21. När slangen ansluts till vattennätet ska instruktionerna från ditt lokala vattenverk följas.
  22. Om högtryckstvätten tappas eller slår emot ett hårt föremål, se då till att titta efter skador och sprickor. Att använda högtryckstvätten i skadat tillstånd kan ge upphov till rök och brand eller orsaka elstöt, med personskada som följd.
  23. Vid användning av högtryckstvättar kan det bildas aerosoler. Att andas in aerosoler kan vara farligt för hälsan.
  24. Beroende på användningsområdet kan avskärmat munstycken användas för högtryckstvätt, vilket dramatiskt minskar utsläppet av vattenhaltiga aerosoler. Alla användningsområden tillåter dock inte användning av en sådan anordning. Om inte avskärmat munstycken är tillämpliga för skydd mot aerosoler, kan det behövas en andningsmask i klass FFP 2 eller motsvarande, beroende på rengöringsmiljön.
  25. Förhindra oavsiktlig start. Försäkra dig om att strömbrytaren står i avstängt läge innan du ansluter batteripaketet, tar upp eller bär apparaten. Att bära apparaten med fingrarna på avtryckaren eller förse apparaten med ström när avtryckaren är intryckt, inbjuder till olyckor.
  26. Koppla från batteripaketet från apparaten innan justeringar utförs, tillbehör byts eller apparaten lagras. Genom dessa förebyggande säkerhetsåtgärder minskas risken att maskinen startas oavsiktligt.
  27. Ändra inte på apparaten eller batterikassetten och försök inte reparera dem, utom enligt vad som anges i användnings- och skötselinstruktionerna.
  28. **VARNING – Risk för injicering eller skada – Rikta inte utloppsstrålen mot personer.**
- Användning och underhåll av batteri**
1. Ladda endast med den batteriladdare som angetts av tillverkaren. En laddare som passar en viss typ av batterier kan skapa risk för brand när den används tillsammans med annat batteri.
  2. Använd endast maskiner tillsammans med tillhörande batterier. Om andra batterier används kan risken för personskada och brand öka.
  3. När batteriet inte används bör det hållas borta från andra metallföremål som till exempel gem, mynt, nycklar, spik, skruv eller andra små metallföremål som kan skapa anslutning från en terminal till en annan. Kortslutning av batteripolererna kan orsaka brännskador eller brand.
  4. Under hårda förhållande kan det komma vätska ur batteriet. Undvik kontakt. Spola med vatten om kontakt ändå råkar uppstå. Om vätskan kommer i kontakt med ögonen bör läkare uppsökas. Vätska från batteriet kan orsaka irritation på huden eller ge brännskador.
  5. Använd inte ett batteripaket eller maskin som är skadat eller ändrat. Skadade eller ändrade batterier kan uppföra sig opålitligt, vilket kan leda till brand, explosion eller skaderisk.
  6. Utsätt inte batteripaket eller maskiner för brand eller höga temperaturer. Exponering för brand eller temperaturer över 130 °C kan leda till explosion.
  7. Följ alla laddningsinstruktioner och ladda inte batteripaketet eller maskinen utanför det temperaturintervall som anges i instruktionerna. Felaktig laddning, eller vid temperaturer utanför det angivna intervallet, kan skada batteriet och öka risken för brand.
- Service**
1. Följ de underhållsinstruktioner som anges i denna bruksanvisning.
  2. För att trygga maskinens säkerhet ska du endast använda originalreservdelar från tillverkaren eller som har godkänts av tillverkaren.
  3. Lämna högtryckstvätten till en auktoriserad verkstad för service och underhåll med originalreservdelar. Detta garanterar fortsatt säker användning av högtryckstvätten.
  4. Vid haveri eller funktionsfel på högtryckstvätten ska du omedelbart stänga av den och ta ut batterikassetten/kassetterna. Kontakta din lokala återförsäljare eller servicecenter.
- Ytterligare säkerhetsvarningar**
1. Följ kraven från det lokala vattenverket.
  2. Använd inte verktyget när det finns risk för åska.
  3. Var uppmärksam på var du har fötterna när du använder verktyget på lerig mark, i våta sluttningar eller hala ställen.
  4. Undvik att arbeta i dåliga miljöer där utökad trötthet kan förväntas.

5. **Byt inte ut batteriet i regn.**
  6. **Låt inte verktyget åka ner i någon pöl.**
  7. **Lämna inte verktyget obevakat utomhus i regn.**
  8. **När våta löv eller smuts fastnar på sugöppningen (ventilationsfönstret) på grund av regnet, ska det tas bort.**
  9. **Tvätta inte av verktyget med högtrycksvattenstråle.**
  10. **När verktyget tvättas, låt då inte vatten komma in i den elektriska mekanismen som t.ex. batteri, motor och terminaler.**
  11. **När verktyget tas i förvar, undvik då direkt solljus och regn, och förvara det på en plats där det inte blir varmt eller fuktigt.**
  12. **Utför inspektion eller underhåll någonstans där regn kan undvikas.**
  13. **Ta efter användning bort smuts och torka verktyget fullständigt innan förvaring.** Beroende på årstid eller område finns det risk för funktionsfel p.g.a. frystemperatur.
  14. **Låt inte batteripolen bli blöt av vätska som t.ex. vatten, och ha inte batteriet i vätska.** Batteriet får inte lämnas i regn, och inte heller laddas, användas eller lagras på ett fuktigt eller vått ställe. Om polen blir våt eller vätska kommer in i batteriet, kan det kortslutas och det finns risk för överhettning, brand eller explosion.
  15. **När batteriet tagits bort från verktyget eller laddaren ska du se till att fästa batterikåpan vid batteriet och förvara det tørt.**
  16. **Byt inte ut batteriet med våta händer.**  
Ytterligare säkerhetsvarningar
    1. **Följ kraven från det lokala vattenverket.**
    2. **Använd inte en nätansluten strömförsörjning som t.ex. en batteriadapter eller bärbart strömpaket ihop med denna apparat.** Kabeln till sådan strömförsörjning kan hindra användningen och leda till personskada.
5. **Kortslut inte batterikassetten.**
    - (1) **Rör inte vid polerna med något strömförande material.**
    - (2) **Undvik att förvara batterikassetten tillsammans med andra metallobjekt som t.ex. spikar, mynt o.s.v.**
    - (3) **Skydda batteriet mot vatten och regn.** En batterikortslutning kan orsaka ett stort strömflöde, överhettning, brand och maskinhaveri.
  6. **Förvara inte maskinen och batterikassetten på platser där temperaturen kan nå eller överstiga 50 °C.**
  7. **Bränn inte upp batterikassetten även om den är svårt skadad eller helt utsliten.** Batterikassetten kan explodera i öppen eld.
  8. **Var försiktig så att du inte råkar tappa batteriet och utsatt det inte för stötar.**
  9. **Använd inte ett skadat batteri.**
  10. **De medföljande litiumjonbatterierna är föremål för kraven i gällande lagstiftning för farligt gods.** För kommersiella transporter (av t.ex. tredje parter som speditönsfirmor) måste de särskilda transportkrav som anges på emballaget och etiketter iakttas. För att förbereda den produkt som ska avsändas krävs att du konsulterar en expert på riskmaterial. Var också uppmärksam på att det i ditt land kan finnas ytterligare föreskrifter att följa. Tejpa över eller maskera blottade kontakter och packa batteriet på sådant sätt att det inte kan röra sig fritt i förpackningen.
  11. **När batterikassetten ska kasseras måste den tas bort från maskinen och kasseras på ett säkert sätt.** Följ lokala föreskrifter beträffande avfallshandling av batteriet.
  12. **Använd endast batterierna med de produkter som specificerats av Makita.** Att använda batterierna med ej godkända produkter kan leda till brand, överdriven värme, explosion eller utläckande elektrolyt.
  13. **Om maskinen inte används under en lång tid måste batteriet tas bort från maskinen.**

## SPARA DESSA ANVISNINGAR.

**⚠VARNING:** GLÖM INTE att också fortsättningsvis strikt följa säkerhetsanvisningarna för maskinen även efter att du blivit van att använda den.

Vid FELAKTIG HANTERING av maskinen eller om inte säkerhetsanvisningarna i denna bruksanvisning följs kan följden bli allvarliga personskador.

## Viktiga säkerhetsanvisningar för batterikassetten

1. Innan batterikassetten används ska alla instruktioner och varningsmärken på (1) batteriladdaren, (2) batteriet och (3) produkten läsas.
2. Montera inte isär batterikassetten.
3. Om drifttiden blivit avsevärt kortare ska användningen avbrytas omedelbart. Det kan uppstå överhettning, brännskador och t o m en explosion.
4. Om du får elektrolyt i ögonen ska de sköljas med rent vatten och läkare uppsökas omedelbart. Det finns risk för att synen förloras.

## SPARA DESSA ANVISNINGAR.

**⚠FÖRSIKTIGT:** Använda endast äkta Makita-batterier. Användning av oäkta Makita-batterier eller batterier som har manipulerats kan leda till person- och utrustningsskador eller till att batteriet fattar eld. Det upphäver också Makitas garanti för verktyget och laddaren.

## Tips för att uppnå batteriets maximala livslängd

1. Ladda batterikassetten innan den är helt urladdad. Stanna alltid maskinen och ladda batterikassetten när du märker att maskinen blir svagare.
2. Ladda aldrig en fulladdad batterikasset. Överladdning förkortar batteriets livslängd.
3. Ladda batterikassetten vid en rumstemperatur på 10 °C - 40 °C. Låt en varm batterikasset svalna innan den laddas.
4. Ladda batterikassetten om du inte har använt den på länge (mer än sex månader).

## FUNKTIONSBESKRIVNING

**⚠ FÖRSIKTIGT:** Se alltid till att maskinen är avstängd och batterikassetten borttagen innan du justerar maskinen eller kontrollerar dess funktioner.

### Montera eller demontera batterikassetten

**⚠ FÖRSIKTIGT:** Stäng alltid av maskinen innan du monterar eller tar bort batterikassetten.

**⚠ FÖRSIKTIGT:** Håll stadigt i maskinen och batterikassetten när du monterar eller tar bort batterikassetten. I annat fall kan det leda till att de glider ur dina händer och orsakar skada på maskinen och batterikassetten samt personskada.

För att installera batterikassetten öppnar du skyddet samtidigt som du trycker på låsspaken. Rikta in tungan på batterikassetten mot spåret i höljet och skjut den på plats. Tryck in batterikassetten ordentligt tills den låser fast med ett klick. Om du kan se den röda indikatorn på knappens ovansida är den inte låst ordentligt.

Se till att stänga skyddet efter att du installerat eller tagit bort batterikassetterna.

► **Fig.1:** 1. Skydd 2. Låsspak

Ta bort batterikassetterna genom att lyfta batterikassetten samtidigt som du trycker ner knappen på kassetterns framsida.

► **Fig.2:** 1. Röd indikator 2. Knapp 3. Batterikassett

**⚠ FÖRSIKTIGT:** Sätt alltid in batterikassetten helt tills den röda indikatorn inte längre syns.

I annat fall kan den oväntat falla ur maskinen och skada dig eller någon annan.

**⚠ FÖRSIKTIGT:** Montera inte batterikassetten med våld. Om kassetten inte lätt glider på plats är den felinsatt.

**⚠ FÖRSIKTIGT:** Se till att låsa skyddet före användning.

### Skyddssystem för maskinen/ batteriet

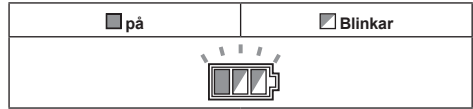
Verktyget är utrustat med ett skyddssystem för verktyget/batteriet. Detta system bryter automatiskt strömmen till motorn för att förlänga verktygets och batteriets livslängd. Verktyget stoppar automatiskt under användningen om verktyget eller batteriet hamnar i en av följande situationer:

### Överbelastningsskydd

Om batteriet används på ett sätt som gör att det drar onormalt mycket ström kan det stoppas automatiskt utan någon varning. När detta sker stänger du av verktyget och upphör med arbetet som gjorde att verktyget överbelastades. Starta därefter verktyget igen.

### Överhettningsskydd

När verktyget blir överhettat stannar det automatiskt och batteriindikatorn blinkar. I det läget låter du verktyget svalna innan du startar det igen.



### Överurladdningsskydd

När batteriets kapacitet är otillräcklig stoppar maskinen automatiskt. I sådant fall ska batteriet tas ur maskinen och laddas.

### Indikerar kvarvarande batterikapacitet

**Endast för batterikassetter med indikator**

► **Fig.3:** 1. Indikatorlampor 2. Kontrollknapp

Tryck på kontrollknappen på batterikassetten för att se kvarvarande batterikapacitet. Indikatorlamporna lyser i ett par sekunder.

Indikatorlampor			Kvarvarande kapacitet
■ Upplyst	□ Av	▬ Blinkar	
■ ■ ■ ■			75% till 100%
■ ■ ■ □			50% till 75%
■ ■ □ □			25% till 50%
■ □ □ □			0% till 25%
▬ □ □ □			Ladda batteriet.
■ ■ □ □			Batteriet kan ha skadats.
□ □ ■ ■			

**OBS:** Beroende på användningsförhållanden och den omgivande temperaturen kan indikationen skilja sig lätt från den faktiska batterikapaciteten.

### Indikerar kvarvarande batterikapacitet

**OBSERVERA:** Batteriindikatorn lyser inte när strömbrytaren är i OFF (AV)-läget. För att kontrollera den återstående batterikapaciteten sätter du strömbrytaren på hög- eller lågtrycksläge.

Tryck på kontrollknappen för att se kvarvarande batterikapacitet. Batteriindikeringarna motsvarar varje batteri.

► **Fig.4:** 1. Batteriindikator 2. Kontrollknapp

Batteriindikatorstatus			Kvarvarande batterikapacitet
På	Av	Blinkar	
			50 % till 100 %
			20 % till 50 %
			0 % till 20 %
			Ladda batteriet

## Strömbrytare

**OBSERVERA:** Vrid inte på strömbrytaren med våld. Det kan få den att fungera dåligt.

Vrid strömbrytaren medurs eller moturs beroende på trycknivån. Vrid strömbrytaren medurs för högtrycksläge, moturs för lågtrycksläge.

- Fig.5: 1. Lågtrycksläge 2. OFF (AV)-läge  
3. Högtrycksläge

**OBS:** Batteriindikatorerna tänds i några sekunder när du vrider strömbrytaren till hög- eller lågtrycksläge.

## Munstycksfunktioner

**OBS:** Standardmunstycket varierar beroende på land. Se även avsnittet VALFRIA TILLBEHÖR för andra munstycken.

## Sprutlans

### Landsspecifikt

- Fig.6

Strålbredden kan justeras från 0° till 25° genom att man vrider på munstyckets framände.

**⚠FÖRSIKTIGT:** När strålbredden justeras ska munstycket inte vridas genom att man vridet det mot avtryckarpistolen. Munstycket kan lossna från avtryckarpistolen och ge upphov till personskada.

## Smutsblästrare

### Landsspecifikt

- Fig.7

En spiralstråle stöts ut. Lämpligt för att ta bort envis smuts.

**OBSERVERA:** Använd inte smutsblästraren för att rengöra ömtåliga ytor som fönster eller bilkarosser.

## Avtryckarmanövrar

Utlös avtryckaren för att spruta ut en vattenstråle. Strålen fortsätter så länge avtryckaren hålls intryckt. Avtryckaren kan låsas för säker hantering av avtryckarpistolerna. För att låsa avtryckaren drar du ut stoppet och hakar fast det i skåran på handtaget.

- Fig.8: 1. Avtryckare 2. Stoppanordning 3. Spår

**OBSERVERA:** För att undvika mekaniskt fel i tryckströmbrytaren ska du alltid lämna ett intervall på två sekunder mellan avtryckarmanövrarna.

## Säkerhetsventil

Denna maskin är försedd med en säkerhetsventil som förhindrar olämpligt övertryck. När avtryckaren lossas öppnas ventilen och vattnet cirkuleras om genom pumpinloppet.

**⚠FÖRSIKTIGT:** Manipulera eller justera inte säkerhetsventilinställningen.

## Tillförsel av vatten från en tank/behållare

Du kan tillföra vatten från en tank eller behållare istället för en kran.

Ersätt vattenslanganslutningen med sugslangssatsen. När du ansluter sugslangssatsen kopplar du bort filterhöljet från slangen och fäster filterhöljet vid inloppet till högtryckstvätten. Anslut sedan slangen till filterhöljet.

**OBS:** När slangen kopplas till/från filterhöljet, vrid då på hylsan samtidigt som du håller fast slangen så att slangen inte vrids samtidigt som hylsan.

- Fig.9: 1. Tank/behållare 2. Sugslangssats  
3. Vattenslanganslutning 4. Slang  
5. Filterhölje 6. Inlopp på högtryckstvätten  
7. Slangklämma 8. Hylsa

**⚠FÖRSIKTIGT:** Var försiktig när du fäster hylsan på filterhöljet så att du inte skadar handen på slangklämmen.

**OBSERVERA:** Använd alltid Makitas sugslangssats.

**OBSERVERA:** Ha alltid en höjd på 1 m (3,28 ft) eller mindre mellan högtryckstvättens inlopp och vattenytan. Annars kan inte högtryckstvätten ta upp vattnet i pumpen.

För att föra in vatten i slangen tar du bort munstycket från avtryckarpistolen och sätter på högtryckstvätten medan avtryckaren är intryckt. Så fort vatten sprutas ut stadigt från avtryckarpistolen släpper du avtryckaren och sätter fast munstycket för ditt syfte.

- Fig.10: 1. Avtryckarpistol

**OBS:** När vatten inte sprutas ut lossar du sugslangssatsen och lägger ner den i vatten. Återanslut den sedan till högtryckstvätten.

- Fig.11: 1. Sugslangssats

## När behållaren används som vattentank

Du kan använda behållaren som hör till högtryckstvätt-ten (beroende på land) som en vattentank.

1. Töm behållaren och fyll på vatten i den.  
▶ **Fig.12:** 1. Linje för full vattennivå

**OBSERVERA:** Fyll inte på med vatten ovanför linjen för full vattennivå.

**OBSERVERA:** Behållarens lock är inte tätförslutande. Var noga med att inte spilla ut vattnet i behållaren när du bär den.

2. Koppla bort filterhöljet från slangens i sugslangssatsen.  
▶ **Fig.13:** 1. Slang 2. Filterhölje
3. Ta bort locket på vattentillförselinloppet och dra sugslangssatsen genom inloppet enligt bilden.  
▶ **Fig.14:** 1. Lock 2. Lockhållare  
3. Vattentillförselinlopp 4. Sugslangssats

**OBS:** Locket på vattentillförselinloppet kan ligga på lockhållaren.

4. Ta bort vattenslanganslutningen från inloppet till högtryckstvätten. Anslut sedan filterhöljet till inloppet och därefter slangens till filterhöljet.  
▶ **Fig.15:** 1. Högtryckstvättens inlopp 2. Filterhölje  
3. Vattenslanganslutning 4. Slang
5. Sätt högtryckstvätten på behållaren så att den fästs med fästena på behållarens lock.  
▶ **Fig.16:** 1. Högtryckstvätt 2. Lucka  
3. Lufturtappningshål

**OBSERVERA:** Var uppmärksam på hur du hanterar behållaren när du bär den. Att bära behållaren med högtryckstvätt och tillbehör eller vatten inuti kan orsaka olyckor eller personskada p.g.a. dess egen vikt.

**OBSERVERA:** Skaka, vänd eller luta inte behållaren för mycket när du bär den. Att göra detta kan orsaka:  
— att vattnet inuti spillas ut,  
— att högtryckstvätten på locket ramlar av behållaren, och  
— att behållarens hjul inte kan rotera.

**OBSERVERA:** När du bär behållaren för hand kan vatten spillas ut om det finns mycket av det inuti.

**OBSERVERA:** Det kan komma ut vatten ur lufturtappningshålet om vattnet inuti når fram till lufturtappningshålet genom att behållaren lutas.

**OBSERVERA:** Kliv inte på behållaren. Locket kan spricka.

**OBSERVERA:** Lämna inte behållaren fylld med vatten länge. Det kan göra att behållaren skadas med vattenläckage som följd.

Följ proceduren nedan efter användning:

1. Ta bort locket på utloppet och tappa ut vatten.  
▶ **Fig.17:** 1. Utlopp
2. Torka av fukten inne i behållaren med en trasa och torka sedan av behållaren helt och hållet.

**OBSERVERA:** Ha inte högtryckstvätten och tillbehören lagrade när behållarens insida fortfarande är våt. Kvarvarande fukt kan orsaka funktionsfel och rost.

## MONTERING

**⚠FÖRSIKTIGT:** Se alltid till att maskinen är avstängd och batterikassetten borttagen innan du underhåller maskinen.

### Ansluta högtrycksslangen

Anslut högtrycksslangen till utloppet (med pistolmarkering). Vrid muttern på högtrycksslangen medurs medan du skruvar på den på utloppets skruvgänga.

- ▶ **Fig.18:** 1. Utlopp 2. Mutter

**⚠FÖRSIKTIGT:** Se till att högtrycksslangen är säkert ansluten. En lös anslutning kan få högtrycksslangen att flyga av, med personskada som följd.

### Sätta fast avtryckarpistolen

Anslut högtrycksslangen till inloppet på avtryckarpistolen. Vrid muttern på högtrycksslangen medurs medan du skruvar på den på inloppets skruvgänga.

- ▶ **Fig.19:** 1. Inlopp 2. Mutter

**⚠FÖRSIKTIGT:** Se till att högtrycksslangen är säkert ansluten. En lös anslutning kan få högtrycksslangen att flyga av, med personskada som följd.

### Anslutning till en kran

**⚠FÖRSIKTIGT:** Använd alltid en trycktålig vattenslang med en diameter på 13 mm eller mer, och anslut till kranen med en lämplig koppling. I annat fall kan vattenslangens och/eller kopplingens gå sönder och orsaka personskada.

**OBSERVERA:** Använd en trycktålig vattenslang som är så kort som möjligt. Mängden inloppsvatten ska vara högre än pumpens maximala matningsvolym.

**OBSERVERA:** Om du ansluter till dricksvattensystemet ska du använda ett återsugningsskydd som uppfyller regelverket i din region.

Gör i ordning en trycktålig vattenslang. Fäst slangkopplingen i ena änden och anslut den andra änden till kranen enligt följande.

1. Ta bort muttern på slangkopplingen och dra den trycktåliga vattenslangen genom muttern. För in änden på slangens i slangkopplingen och vrid sedan åt muttern.

- ▶ **Fig.20:** 1. Trycktålig vattenslang 2. Mutter på slangkoppling 3. Slangkoppling

**OBS:** Om du vill ansluta den trycktåliga vattenslangen till kranen med hjälp av en slangkoppling, så gör i ordning en annan slangkoppling och fäst den vid slangens andra ände.

2. Anslut den trycktåliga vattenslangen till kranen. Sätt på en lämplig koppling, t.ex. en slangklämma eller en vattenkranfog, för att fästa slangändan vid kranen.

- ▶ **Fig.21:** 1. Slangklämma 2. Vattenkranfog  
3. Trycktålig vattenslang

**OBS:** Kopplingen beror på formen på kranen du ansluter till. Gör i ordning en lämplig kommersiellt inköpt koppling.

3. Sätt fast vattenslanganslutningen vid inloppet (med kranmarkeringen) och för sedan in slangkopplingen.

► **Fig.22:** 1. Slangkoppling 2. Vattenslanganslutning 3. Inlopp på högtryckstvätten

## Ansluta/koppla från munstycket

**FÖRSIKTIGT:** Läs alltid avtryckarpistolens avtryckare när munstycket ansluts/frånkopplas.

För in munstyckets ände i skåran på avtryckarpistolens och vrid den i pilens riktning enligt vad som visas på bilden. Koppla från munstycket genom att vrida det i motsatt riktning medan du trycker det mot avtryckarpistolens.

► **Fig.23:** 1. Avtryckarpistol 2. Skåra 3. Änden på munstycket

## Ansluta skummunstycket

### Valfria tillbehör

**FÖRSIKTIGT:** Läs alltid avtryckarpistolens avtryckare när munstycket ansluts/frånkopplas.

Gör i ordning ett rengöringsmedel innan skummunstycket används.

1. Ta bort munstycket från tanken genom att vrida munstycket moturs. Sätt fast munstycket mot avtryckarpistolens.

► **Fig.24:** 1. Munstycke 2. Avtryckarpistol

2. Häll rengöringsmedlet i tanken och installera den vid munstycket.

► **Fig.25:** 1. Tank

**OBSERVERA:** Använd alltid neutralt rengöringsmedel. Surt eller basiskt rengöringsmedel kan skada tanken eller munstycket.

## Placering av förvaringsväska av plast på behållaren

### Valfria tillbehör

Du kan placera Makita-förvaringsväskan av plast ovanpå behållaren. Sätt förvaringsväskan av plast på behållaren så att den fästs med fästena på behållarens lock.

► **Fig.26:** 1. Förvaringsväska av plast 2. Fäste

## Placering av behållaren på vagnen

### Valfria tillbehör

När du bär behållaren med Makita-behållaren, placera då behållaren på rätt plats. Se till att behållarens botten passar in på plattformen på vagnen.

► **Fig.27:** 1. Behållarens bottenyta 2. Plattform på vagnen

**FÖRSIKTIGT:** När du använder vagnen, bär inte behållaren fylld med vatten. Gör du det kan du tappa balansen med personskada som följd, eller så kan behållaren bli missformad så vattnet läcker ut.

# ANVÄNDNING

**⚠VARNING:** Rör inte vid vattenstrålen och rikta den inte mot dig själv eller andra. Vattenstrålen är farlig och kan skada dig eller andra.

**⚠VARNING:** När du fyrar av vattenstrålen, håll då aldrig i föremålet som du ska rengöra och ha inte händer och fötter nära vattenstrålen.

**⚠FÖRSIKTIGT:** Se upp för tillbakastudsande vattenstråle och ivägspolade föremål. För inte munstycket närmare objektet än 30 cm.

**⚠FÖRSIKTIGT:** Kör inte högtryckstvätten utan vatten längre än en minut.

**⚠FÖRSIKTIGT:** Kör inte högtryckstvätten under en längre stund. Det kan orsaka överhettning eller brand. Långvarig användning kan också orsaka vibrationsstörningar.

**⚠FÖRSIKTIGT:** Var uppmärksam på vindriktningen. Om du får rengöringsmedlet i ögonen eller munnen, skölj då genast med färskt vatten och sök läkarhjälp om det behövs.

**OBSERVERA:** Undvik att använda högtryckstvätten i mer än en timme. Efter en timmes användning ska den pausas lika länge.

**OBSERVERA:** För att skydda högtryckstvättens mekanism ska vatten som är varmare än 40 °C inte användas.

1. Anslut högtrycksslangens ena ände till avtryckarpistolens och den andra änden till högtryckstvätten.

2. Koppla ihop högtryckstvätten och kranen med en vattenslang. Efter detta öppnar du kranen.

► **Fig.28**

3. Öppna skyddet och installera batterikassetterna i högtryckstvätten och läs sedan skyddet.

► **Fig.29:** 1. Batterikasset 2. Skydd

4. Vrid strömbrytaren till önskat läge.

► **Fig.30:** 1. Lågtrycksläge 2. OFF (AV)-läge

3. Högtrycksläge

5. För att spruta ut en vattenstråle läser du upp stoppet och trycker på avtryckaren. Strålen fortsätter så länge avtryckaren hålls intryckt.

► **Fig.31:** 1. Stoppanordning

**⚠FÖRSIKTIGT:** Håll avtryckarpistolens stadigt. Avtryckarpistolens slår tillbaka när du utlöser avtryckaren.

**⚠FÖRSIKTIGT:** Håll alltid avtryckarpistolens i handtaget och cylindern när du sprutar ut vattenstrålen.

**OBSERVERA:** Var noga med att inte dra våldsamt i avtryckarpistolens under körning. Det kan få högtryckstvätten att falla omkull.

När du avbryter användningen kan du tillfälligt placera avtryckarpistolens så som visas på bilden.

► **Fig.32**

## Efter användning

**⚠ FÖRSIKTIGT:** Efter användning av högtryckstvätten ska alltid den procedur som beskrivs i denna handbok följas. Kvarvarande tryck i avtryckarpistolens eller högtryckstvätten kan leda till personskada eller invändig skada på pumpen.

1. Stäng av högtryckstvätten.
2. Stäng kranen och koppla bort vattenkranen från högtryckstvätten.  
► Fig.33
3. Sätt på högtryckstvätten igen.
4. Tryck på avtryckaren tills det kvarvarande vattnet i högtryckstvätten har tömts ut.  
► Fig.34

**OBSERVERA:** Kör inte motorn längre tid än en minut.

5. Stäng av högtryckstvätten och koppla bort batterikassetterna.  
► Fig.35: 1. Strömbrytare 2. Batterikassett
6. Koppla bort högtrycksslangen från avtryckarpistolens och högtryckstvätten.  
► Fig.36: 1. Avtryckarpistol 2. Högtrycksslang 3. Högtryckstvätt

**OBSERVERA:** För att förhindra att högtrycksslangen blir skadad ska det kvarvarande vattnet i slangen tas bort före lagring.

## UNDERHÅLL OCH FÖRVARING

**⚠ FÖRSIKTIGT:** Se alltid till att verktyget är avstängt och batterikassetten borttagen innan inspektion eller underhåll utförs.

**OBSERVERA:** Använd inte bensin, förtunningsmedel, alkohol eller liknande. Missfärgning, deformation eller sprickor kan uppstå.

För att upprätthålla produktens SÄKERHET och TILLFÖRLITLIGHET bör allt underhålls- och justeringsarbete utföras av ett auktoriserat Makita servicecenter och med reservdelar från Makita.

## Rengöring av munstycket

Använd rengöringsstiftet för att ta bort smuts eller tilläppningar från munstycket.

► Fig.37: 1. Rengöringsstift

**OBSERVERA:** Ta inte bort smuts eller skräp med våld. Det kan leda till personskada eller skada på utmatningshälet med avvikande strålvinklar eller dålig prestanda som följd.

## Rengöra filtret

Ta loss vattenslanganslutningen och ta bort smuts och skräp från insidan av filtret.

► Fig.38: 1. Vattenslanganslutning 2. Filter 3. Tätningssring

När sugslangssatsen (valfritt tillbehör) används ska filter tas ut ur filterhöljet och smuts och skräp tas bort.

► Fig.39: 1. Filter 2. Filterhölje

**OBS:** Rengör filtret regelbundet för att behålla bästa prestanda.

## Förvaring

**⚠ FÖRSIKTIGT:** Förvara alltid på en plats inomhus där temperaturen inte sjunker under fryspunkten. Om högtryckstvätten fryser och inte fungerar, kontakta då ditt lokala servicecenter för att reparera.

Förvara tillbehören i högtryckstvättens sidoficka.

### Förvaringsexempel

► Fig.40: 1. Högtrycksslang 2. Munstycke 3. Avtryckarpistol

Om din modell är försedd med behållare ska högtryckstvätten och tillbehören förvaras i den.

### Förvaringsexempel

► Fig.41: 1. Högtryckstvätt 2. Munstycke 3. Avtryckarpistol 4. Tvättborste 5. Skummunstycke 6. Högtrycksslang 7. Laddare 8. Sugslangssats 9. Trycktålig vattenslang

**OBS:** Vissa tillbehör som visas i illustrationen levereras som valfria tillbehör i vissa länder.

# FELSÖKNING

Innan du ber om reparation ska du först utföra en egen kontroll. Om du hittar ett problem som inte finns förklarat i bruksanvisningen ska du inte försöka att ta isär maskinen. Fråga istället ett auktoriserat servicecenter för Makita, och använd alltid reservdelar från Makita för reparationer.

Feltillstånd	Trolig orsak (felsfunktion)	Åtgärd
Tvätten startar inte.	Ingen elektricitet	Sätt i laddade batterikassetter.
	Strömbrytaren är inte på.	Sätt på strömbrytaren.
	Kvarvarande tryck i pumpen	Utlös avtryckaren.
	Skadat batteri eller strömkrets	Kontakta ett auktoriserat servicecenter för reparation.
Ingen vattenstråle/svag vattenstråle	Ingen vattentillförsel	Se till att kranen är öppen. Om sugslangssatsen används, för in vatten i slangen.
	Dålig vattentillförsel	Sätt på kranen.
	Dålig vattenslanganslutning	Kontrollera anslutningen mellan högtryckstvätten och vattenkranen.
	Tilltäppt slang, filter eller munstycke	Ta bort stoppet i slangen, filtret eller munstycket.
	Luft blockerar vattenflödet.	Stäng av strömbrytaren och sätt sedan på den igen samtidigt som du trycker på avtryckaren.
	Skadat eller slitet munstycke	Byt ut munstycket.
	Funktionsfel på pump eller ventil	Kontakta ett auktoriserat servicecenter för reparation.
Instabil vattenstråle	Tilltäppt munstycke	Ta bort stoppet i munstyckets utmatningshåll med hjälp av rengöringsstiftet.
	Dåligt vattensug	Kontrollera vattenslangen med början vid kranen för att se läckor eller tilltäppningar. Sätt på kranen.
	Vattnet är för varmt.	Tillför kallare vatten.
	Funktionsfel på ventil	Kontakta ett auktoriserat servicecenter för reparation.
Onormalt ljud	Vattnet är för varmt.	Tillför kallare vatten.
	Luft har fastnat i pumpen.	Kontakta ett auktoriserat servicecenter för reparation.
Vattenläckage	Dålig anslutning	Kontrollera anslutningen mellan högtryckstvätten och såväl avtryckarpistolens som vattenkranen.
	Utslitna tätningar	Kontakta ett auktoriserat servicecenter för reparation.

## VALFRIA TILLBEHÖR

**⚠ FÖRSIKTIGT:** Följande tillbehör eller tillsatser rekommenderas för användning med den Makita-maskin som denna bruksanvisning avser. Om andra tillbehör eller tillsatser används kan det uppstå risk för personskador. Använd endast tillbehören eller tillsatserna för de syften de är avsedda för.

Kontakta ditt lokala Makita servicecenter om du behöver ytterligare information om dessa tillbehör.

**OBS:** Några av tillbehören i listan kan vara inkluderade i maskinpaketet som standardtillbehör. De kan variera mellan olika länder.

## Vario-Power-sprutlans

### ► Fig.42

Stråltrycket kan justeras genom att man vrider på munstycket.

**⚠ FÖRSIKTIGT:** När stråltrycket justeras ska munstycket inte vridas genom att man vrider det mot avtryckarpistolens. Munstycket kan lossna från avtryckarpistolens och ge upphov till personskada.

## Skummunstycke

### Landsspecifikt

### ► Fig.43

Rengöringsmedel kan sprutas ut som skum.

## Tvättborste (lång)

### ► Fig.44

Ett munstycke försett med en borste. Praktiskt för att tvätta ut smuts samtidigt som man skrubbar med borsten.



## Sugslangssats

### ► Fig.45

Ersätt vattenslangen med denna sats för att tillföra vatten från en tank eller behållare.

## Roterande tvättborste

### ► Fig.46

Tre borstar inuti roterar långsamt när man sprutar ut strålen. Lämplig för att ta bort lätt smuts på en yttre vägg, en bilkaross, ett badkar etc.

## Lansförlängning

### ► Fig.47

Rör för att öka längden på avtryckarpistolen. Tre olika längder finns tillgängliga genom att man ändrar antalet rör som ska användas.

## Sprutlans till underreden

### ► Fig.48

En extra lång sprutlans med vinklat munstycke. Bäst för att rengöra svåråtkomliga områden som t.ex. en bils underrede och takrännor.

**⚠ FÖRSIKTIGT:** Använd inte underredessprutlansen med lansförlängningen.

## Stänkskydd

### ► Fig.49

Minskar bakåtstänket när man rengör hörn med smutsblåstraren.

## Svängfog

### ► Fig.50

Förhindrar att högtrycksslangen blir snodd.

## Anslutningsfog

### ► Fig.51

En fog för anslutning till ett munstycke från en annan modell.

Vissa tillvalsmunstycken kräver att anslutningsfogen (valfritt tillbehör) fästs vid avtryckarpistolen. Fäst anslutningsfogen vid avtryckarpistolen på samma sätt som munstycket.

► Fig.52: 1. Munstycke 2. Anslutningsfog  
3. Avtryckarpistol

**OBS:** Anslutningsfogen behövs när man använder munstyckena som ingår till en annan modell, HW112 eller HW121.

## Rörrengöringssats (10 m/15 m)

### ► Fig.53

För rengöring och propplösning av avloppsrör och stuprör.

**⚠ FÖRSIKTIGT:** Var särskilt noga med vattenstrålen när rörrengöringssatsen används. Högintensiv vattenstråle sprutas bakåt. Se till att sätta in slanghuvudet i röret innan du utlöser avtryckaren.

## Högtrycksförlängningsslang (5 m/8 m/10 m)

### ► Fig.54

Förlängningsslang för att ansluta högtryckstvättstommen med avtryckarpistolen.

## ADVARSEL

- Maskiner skal ikke brukes av barn. Barn skal holdes under oppsyn for å sikre at de ikke leker med maskinen.
- Denne maskinen skal ikke brukes av personer (inkludert barn) med reduserte fysiske, sensoriske eller mentale evner, eller personer som mangler erfaring og kunnskap.
- Denne maskinen er laget for bruk med rengjøringsmiddelet som følger med eller anbefales av produsenten. Hvis du bruker andre rengjøringsmidler eller kjemikalier, kan det gå utover maskinens sikkerhet.
- Høytrykksstråler kan være farlige hvis de brukes på feil måte. Strålen må ikke rettes mot personer, strømførende utstyr eller selve maskinen.
- Ikke bruk maskinen i nærheten av personer med mindre de har på seg verneklær.
- Ikke rett strålen mot deg selv eller andre for å rengjøre klær eller skotøy.
- Eksplosjonsfare – ikke sprøyt brennbare væsker.
- Høytrykksvaskere skal ikke brukes av barn eller personer uten opplæring.
- Høytrykkslanger, utstyr og koblinger er viktige for maskinens sikkerhet. Bruk kun slanger, utstyr og koblinger som anbefales av produsenten.
- Bruk kun originale reservedeler fra produsenten eller som er godkjent av produsenten, for å bevare maskinens sikkerhet.
- Pass alltid på at verktøyet er slått av og batteriene er tatt ut før det utføres noe arbeid på verktøyet.
- Ikke bruk maskinen hvis viktige deler av maskinen er skadet, f.eks. sikkerhetsutstyr, høytrykkslanger, sprøytepistol.
- Ta alltid ut batteriene før du forlater maskinen uten tilsyn.
- Følg kravene til det lokale vannverket.
- For land i Europa:  
Ifølge EN12729 (BA) kan innretningen også kobles til drikkevannforsyningen hvis en sikkerhetsventil for tilbakestrømning med tappetutstyr er installert i tilførselsslagen.

# TEKNISKE DATA

<b>Modell:</b>	<b>DHW080</b>	
Maks. matevolum <sup>*1</sup>	6,3 l/min	
Vannstrømningshastighet <sup>*2</sup>	Høy modus	5,5 l/min
	Lav modus	4,0 l/min
Maks. tillatt trykk	8,0 MPa	
Arbeidstrykk <sup>*2</sup>	Høy modus	5,5 MPa
	Lav modus	3,0 MPa
Maks. matetrykk	1,0 MPa	
Maks. matetemperatur	40 °C	
Maks. sugehøyde	1 m	
Nominell spenning	DC 36 V	
Mål (L x B x H)	438 mm x 218 mm x 269 mm	
Vekt	7,1 - 7,7 kg	

\*1: Når du bruker vaskeborsten.

\*2: Når du bruker strålerøret.

- På grunn av vårt kontinuerlige forsknings- og utviklingsprogram kan spesifikasjonene som oppgis i dette dokumentet endres uten varsel.
- Spesifikasjonene kan variere fra land til land.
- Vekten kan variere avhengig av tilbehøret/tilbehørene, inkludert batteriet. Den letteste og tyngste kombinasjonen, i henhold til EPTA-prosedyre 01/2014, vises i tabellen.

## Passende batteri og lader

Batteriinsats	BL1815N / BL1820 / BL1820B / BL1830 / BL1830B / BL1840 / BL1840B / BL1850 / BL1850B / BL1860B
Lader	DC18RC / DC18RD / DC18RE / DC18SD / DC18SE / DC18SF / DC18SH

- Noen av batteriene og laderne som er opplistet ovenfor er kanskje ikke tilgjengelige, avhengig av hvor du bor.

**⚠ ADVARSEL: Bruk kun de batteriene og laderne som er opplistet ovenfor.** Bruk av andre batterier og laderne kan føre til personskader og/eller brann.

## Symboler

Nedenfor ser du symbolene som brukes for dette utstyret. Forviss deg om at du forstår hva de betyr, før du begynner å bruke maskinen.



Les bruksanvisningen.



Vær spesielt forsiktig og oppmerksom.



Ni-MH  
Li-ion

Kun for EU-land  
Kast aldri elektroutstyr eller batteripakker i husholdningsavfallet!

I henhold til EU-direktivene om kasserte elektriske og elektroniske produkter, og om batterier og akkumulatører og brukte batterier og akkumulatører og direktivenes iverksetting i nasjonal rett, må elektriske produkter og batterier og batteripakker som ikke lenger skal brukes, samles separat og returneres til et miljøvennlig gjenvinningsanlegg.



Må ikke kobles til en drikkevannskran.



Ikke rett strålen mot personer, inkludert deg selv, dyr og strømførende utstyr.

## Riktig bruk

Dette verktøyet er beregnet på å gjerne gjenstridig smuss med en vannstråle. Dette verktøyet er beregnet på å brukes i husholdningen.

## Støy

Typisk A-vektet lydtrykknivå er bestemt i henhold til EN60335-2-79:

Lydtrykknivå ( $L_{pA}$ ) : 70,9 dB (A)

Usikkerhet (K): 3,6 dB (A)

Støynivået under arbeid kan overskride 80 dB (A).

**MERK:** Den/de oppgitte verdien(e) for genererte vibrasjoner har blitt målt i henhold til standard testmetoder, og kan bli brukt til å sammenligne ett verktøy med et annet.

**MERK:** Den/de angitte verdien(e) for de genererte vibrasjonene kan også brukes til en foreløpig vurdering av eksponeringen.

**⚠ ADVARSEL:** Bruk hørselsvern.

**⚠ ADVARSEL:** De genererte vibrasjonene ved faktisk bruk av elektroverktøyet kan avvike fra den/de angitte vibrasjonsverdien(e), avhengig av hvordan verktøyet brukes.

**⚠ ADVARSEL:** Sørg for å identifisere vernetiltak for å beskytte operatøren, som er basert på et estimat av eksponeringen under de faktiske bruksforholdene (idet det tas hensyn til alle deler av driftssyklusen, dvs. hvor lenge verktøyet er slått av, hvor lenge det går på tomgang og hvor lenge startbryteren faktisk holdes trykket).

## Vibrasjoner

Den totale vibrasjonsverdien (triaksial vektorsum) bestemte i henhold EN60335-2-79:

Genererte vibrasjoner ( $a_h$ ): 2,5 m/s<sup>2</sup> eller mindre  
Usikkerhet (K): 1,5 m/s<sup>2</sup>

**MERK:** Den/de oppgitte verdien(e) for totalt genererte vibrasjoner har blitt målt i henhold til standard testmetoder, og kan bli brukt til å sammenligne ett verktøy med et annet.

**MERK:** Den/de angitte verdien(e) for totalt genererte vibrasjoner kan også brukes til en foreløpig vurdering av eksponeringen.

**⚠ ADVARSEL:** De genererte vibrasjonene ved faktisk bruk av elektroverktøyet kan avvike fra den/de angitte vibrasjonsverdien(e), avhengig av hvordan verktøyet brukes og spesielt i forhold til arbeidsstrykket som blir behandlet.

**⚠ ADVARSEL:** Sørg for å identifisere vernetiltak for å beskytte operatøren, som er basert på et estimat av eksponeringen under de faktiske bruksforholdene (idet det tas hensyn til alle deler av driftssyklusen, dvs. hvor lenge verktøyet er slått av, hvor lenge det går på tomgang og hvor lenge startbryteren faktisk holdes trykket).

## EFs samsvarserklæring

*Gjelder kun for land i Europa*

EFs samsvarserklæring er lagt til som vedlegg A i denne bruksanvisningen.

## VIKTIGE SIKKERHETSADVARSLER

**⚠ ADVARSEL:** Les alle sikkerhetsadvarslene og alle instruksjonene. Hvis du ikke følger alle advarslene og instruksjonene som er oppført nedenfor, kan det føre til elektriske støt, brann og/eller alvorlige helseskader.

## Oppbevar alle advarsler og instruksjoner for senere bruk.

**ADVARSEL** – Når du bruker dette produktet, må du alltid følge de grunnleggende sikkerhetsanvisningene, inklusive de nedenstående:

### Sikkerhet på arbeidsplassen

1. Sørg for at det ikke finnes personer på arbeidsplassen.
2. Ikke strekk deg for langt eller stå på ustabil underlag. Pass alltid på at du holder balansen og har godt fotfeste.
3. Høytrykksspylerhuset skal alltid plasseres på et jevnt og stabilt underlag. Unngå områder der vannet som spruter ut vil danne bekker eller pytter.
4. Før du begynner å rengjøre, må du kontrollere omgivelsene og gjenstandene som skal rengjøres. Høytrykkstråler kan spyle bort maling eller annen overflatebehandling, inkludert giftige kjemikalier. Iverksett forebyggende tiltak ved behov.
5. Unngå å snuble i slangen til høytrykksspyleren. Vær alltid oppmerksom på hvor slangen befinner seg under bruk.
6. Under bruk vil det renne litt vann ut av bunnen på høytrykksspyleren. Unngå å plassere høytrykksspyleren på steder som du ikke vil skal bli våte.

### Personlig sikkerhet

1. For å beskytte seg mot strålen og gjenstander som strålen sender ut, skal operatører bruke utstyr som vernesko, vernehansker, hjelm med visir, hørselsvern, osv.
2. Ikke bruk høytrykksspyleren i nærheten av personer med mindre de har på seg verneklær.
3. Vær ekstra oppmerksom når produktet brukes i nærheten av barn for å redusere faren for skade.
4. Hvis høytrykksspyleren kobles til et drikkevannssystem, må systemet være beskyttet mot tilbakestømming.
5. Vann om har strømmet gjennom sikkerhetsventilen som tilbakestømming anses for å være udrikkelig.

### Elektrisk sikkerhet

1. Ta aldri på batteriene med våte hender.
2. Ikke bruk maskinen hvis de viktige delene av maskinen er skadet, f.eks. sikkerhetsutstyr, høytrykksslanger eller sprøytepipstolen.

### Bruk og vedlikehold av elektrisk verktøy

1. Les alle anvisningene før du bruker produktet.
2. Du må vite hvordan du skal stanse høytrykksspyleren og tappe trykket raskt. Gjør det grundig kjent med kontrollene.
3. Høytrykkstråler kan være farlige hvis de brukes på feil måte. Strålen må ikke rettes mot personer, strømførende utstyr eller selve maskinen.
4. Denne maskinen skal ikke brukes av personer (inkludert barn) med reduserte fysiske, sensoriske eller mentale evner, eller personer som mangler erfaring og kunnskap.
5. Barn må være under oppsyn for å sikre at de ikke leker med maskinen.
6. Ikke sprøyt brennbare og/eller giftige væsker. Det kan forårsake en eksplosjon, forgiftning eller skade på maskinen.
7. Ikke rett strålen mot deg selv eller andre for å rengjøre klær eller skotøy.
8. Høytrykksslanger, utstyr og koblinger er viktige for maskinens sikkerhet. Bruk kun slanger, utstyr og koblinger som anbefales av produsenten.
9. Følg anvisningene når du bytter tilbehør.

10. Hold håndtakene tørre, rene og fri for olje eller smørefett.
  11. Vær årvåken – følg med på hva du gjør.
  12. Ikke bruk produktet når du er sliten eller under påvirkning av alkohol eller narkotika/legemidler.
  13. Ikke bruk høytrykksspyleren i mer enn ett minutt uten vann. Det vil skade motoren og føre til at høytrykksspyleren ikke virker.
  14. Slå alltid av strømmen og vanntilførselen når du lar høytrykksspyleren stå uten tilsyn.
  15. Vær oppmerksom på muligheten for tilbakeslag. Sprøytepistolen slår tilbake når høytrykksstrålen spruter ut av munnstykket. Hold godt tak i sprøytepistolen for å unngå uhell og skader.
  16. Kontroller med tanke på skadde eller slitte deler før bruk. Pass dessuten på at slangen er riktig tilkoblet og at det ikke oppstår lekkasje under bruk. Hvis du bruker maskinen når den er defekt, kan det føre til uhell.
  17. Denne maskinen er laget for bruk med rengjøringsmiddelet som følger med eller anbefales av produsenten. Hvis du bruker andre rengjøringsmidler eller kjemikalier, kan det gå utover maskinens sikkerhet.
  18. Ikke dra i slangen når du skal flytte høytrykks-spylerhuset. Det vil skade slangen og tilkoblingsdelene, og føre til en kortslutning eller funksjonsfeil.
  19. Ikke plasser tunge gjenstander på slangen eller la kjøretøy kjøre over den.
  20. Slipp alltid ut resttrykket i sprøytepistolen før du kobler fra slangen.
  21. Når du kobler slangen til vannforsyningen, må du ta hensyn til anvisningene fra det lokale vannverket.
  22. Hvis du mister eller slår høytrykksspyleren mot en hard gjenstand, må du kontrollere den med tanke på skade og sprekker. Hvis du bruker høytrykksspyleren når den er skadet, kan det føre til røyk, brann eller elektrisk støt, som igjen kan føre til personskade.
  23. Under bruk av høytrykksvaskere kan det dannes aerosoler. Innånding av aerosoler kan være helseskadelig.
  24. Avhengig av bruksområdet kan skjermede munnstykker brukes til høytrykksvasking, slik at utslippet av vannholdige aerosoler reduseres dramatisk. Det er imidlertid ikke mulig å benytte en slik enhet på alle bruksområder. Hvis det ikke er mulig benytte skjermede munnstykker for å beskytte mot aerosoler, kan det være nødvendig å bruke en pustemaske i klasse FFP 2 eller tilsvarende, avhengig av rengjøringsmiljøet.
  25. Unngå utilsiktet start. Pass på at bryteren er i av-stilling før du kobler til batteripakken, og før du tar det opp eller begynner å bære apparatet. Hvis du bærer apparatet med fingeren på bryteren eller kobler strøm til maskinen med bryteren i på-stillingen, kan det lett oppstå ulykker.
  26. Før du foretar eventuelle justeringer, skifter tilbehør eller setter utstyret bort til oppbevaring, må du ta batteripakken ut av apparatet. Slike forebyggende sikkerhetstiltak reduserer faren for at apparatet starter utilsiktet.
  27. Ikke modifierer eller forsøk å reparere apparatet eller batteripakken, med unntak av det som er angitt i instruksjonene for bruk og stell.
  28. **ADVARSEL – Risiko for innsprøytning eller skade – Ikke rett utløpsstrømmen mot noen personer.**
- Bruk og vedlikehold av batteridrevne maskiner**
1. Batteriet må kun lades opp igjen med en lader spesifisert av produsenten. En lader som passer til én batteritype, kan være brannfarlig når den brukes med en annen batteritype.
  2. **Bruk elektroverktøy kun med spesifikt angitte batterier.** Hvis det brukes et hvilket som helst annet batteri, kan dette utgjøre en fare for helse-skader og brann.
  3. Når batteriet ikke er i bruk, må du holde verktøyet unna metallgjenstander som f.eks. binders, myn-ster, nøkler, spiker, skruer og andre små metall-gjenstander som kan skape forbindelse mellom de to polene. Hvis batteripolene kortsluttes, kan du få brannår, eller det kan begynne å brenne.
  4. **Hvis batteriet utsettes for hardhendt bruk, kan det lekke væske fra batteriet. Unngå kontakt med væsken. Hvis du kommer i kontakt med batterivæsken, må du skylle med vann. Hvis du får batterivæske i øynene, må du i tillegg oppsøke lege.** Væske som kommer ut av batte-riet, kan forårsake irritasjon eller forbrenninger.
  5. **Ikke bruk et batteri eller verktøy som er skadet eller endret på.** Batterier som er skadet eller endret på kan oppføre seg upålitelig og medføre brann, eksplosjon eller fare for personskader.
  6. **Et batteri eller verktøy må ikke utsettes for brann eller for høy temperatur.** Brann eller en temperatur over 130 °C kan forårsake eksplosjon.
  7. **Følg alle ladeinstruksjoner, og ikke lad batte-riet eller verktøyet utenfor temperaturområdet som er angitt i instruksjonene.** Feil lading eller ved temperaturer utenfor det angitte området, kan skadet batteriet og øke faren for brann.
- Service**
1. **Følg vedlikeholdsanvisningene som er angitt i bruksanvisningen.**
  2. **Bruk kun originale reservedeler fra produsenten eller som er godkjent av produsenten, for å bevare maskinens sikkerhet.**
  3. **La en kvalifisert reparatør utføre service på høytrykksspyleren, og se til at vedkommende kun bruker originale reservedeler.** Dette vil opprettholde sikkerheten til høytrykksspyleren.
  4. **Hvis det oppstår en defekt eller funksjonsfeil på høytrykksspyleren, må du slå den av umiddelbart og ta ut batteriet/batterieene.** Ta kontakt med den lokale forhandleren eller serviceverkstedet.
- Flere sikkerhetsadvarsler**
1. **Følg kravene til det lokale vannverket.**
  2. **Ikke bruk maskinen når det er en fare for lynnedslag.**
  3. **Når du bruker verktøyet på gjørmete underlag, i våte bakker eller på glatte steder, må du passe på at du ikke mister fotfestet.**
  4. **Unngå å arbeide under dårlige forhold som kan føre til utslitthet.**
  5. **Ikke skift ut batteriet når det regner.**
  6. **Ikke senk Verktøy ned i en vann.**

7. Ikke etterlat verktøyet uten oppsyn utendørs når det regner.
8. Når vått løv eller jord kleber seg til sugeåpningen (ventilasjonsvinduet) på grunn av regn, må det fjernes.
9. Ikke vask verktøyet med høytrykksspyler.
10. Når du vasker verktøyet, ikke la det komme vann inn i de elektriske mekanismene, som batteri, motor og terminaler.
11. Ved oppbevaring av verktøyet må du unngå direkte sollys og regn, og den skal oppbevares på et sted som ikke blir varmt eller fuktig.
12. Inspeksjon og vedlikehold skal unngås på et sted som er beskyttet mot regn.
13. Før du setter bort verktøyet etter bruk, må du fjerne all skitt som har satt seg fast og tørke maskinen godt. Avhengig av sesong eller område er det fare for funksjonssvikt på grunn av frost.
14. Ikke la batteriklemmen komme i kontakt med væske som f.eks. vann, og batteriet må heller ikke senkes ned i vann. Ikke la batteriet stå ute i regnet, og du må heller ikke lade, bruke eller oppbevare batteriet på et fuktig eller vått sted. Hvis klemmen blir våt, eller hvis væske trenger inn i batteriet, kan batteriet kortslutte, og det er fare for overoppheting, brann eller eksplosjon.
15. Når du har tatt batteriinnsetsen ut av verktøyet eller laderen, må du feste batteridekselet på batteriet og oppbevare det på et tørt sted.
16. Ikke skift ut batteriet med våte hender.

#### Flere sikkerhetsadvarsler

1. Følg kravene til det lokale vannverket.
2. Ikke bruk strømforsyning med ledning, f.eks. batteriadapter eller bærbar lader, med dette verktøyet. Denne strømforsyningens kabel kan komme i veien under bruk og føre til personskade.

## TA VARE PÅ DISSE INSTRUKSENE.

**⚠ ADVARSEL:** IKKE LA hensynet til hva som er "behagelig" eller det faktum at du kjenner produktet godt (etter mange gangers bruk) gjøre deg mindre oppmerksom på sikkerhetsreglene for bruken av det aktuelle produktet.

Ved MISBRUK eller hvis ikke sikkerhetsreglene i denne bruksanvisningen følges, kan det oppstå alvorlig personskade.

### Viktige sikkerhetsanvisninger for batteriinnsets

1. Før du begynner å bruke batteriet, må du lese alle anvisninger og forsiktighetsregler på (1) batteriladeren, (2) batteriet og (3) det produktet batteriet skal brukes i.
2. Ikke ta fra hverandre batteriet.
3. Hvis driftstiden er blitt vesentlig kortere, må du omgående slutte å bruke maskinen. Hvis ikke kan resultatet bli overoppheting, mulige forbrenninger eller til og med en eksplosjon.
4. Hvis du får elektrolytt i øynene, må du skylle dem med store mengder rennende vann og oppsøke lege med én gang. Denne typen uhell kan føre til varig blindhet.

5. Ikke kortslutt batteriet:
  - (1) De kan være ekstremt varme og du kan brenne deg.
  - (2) Ikke lagre batteriet i samme beholder som andre metallgjenstander, som for eksempel spiker, mynter osv.
  - (3) Ikke la batteriet komme i kontakt med vann eller regn.

En kortslutning av batteriet kan føre til et kraftig strømstøt, overoppheting, mulige forbrenninger og til og med til at batteriet går i stykker.
6. Ikke lagre maskinen og batteriet på steder hvor temperaturen kan komme opp i eller overskride 50 °C.
7. Ikke sett fyr på batteriet, ikke engang om det er sterkt skadet eller helt utslitt. Batteriet kan eksplodere hvis det begynner å brenne.
8. Vær forsiktig så du ikke mister batteriet eller utsetter det for slag.
9. Ikke bruk batterier som er skadet.
10. Lithium-ion-batteriene som medfølger er gjenstand for krav om spesialavfall. For kommersiell transport, f.eks av tredjeparter eller speditorer, må spesielle krav om pakking og merking følges.

Før varen blir sendt, må du forhøre deg med en ekspert på farlig materiale. Ta også hensyn til muligheten for mer detaljerte nasjonale bestemmelser.

Bruk teip eller maskeringsteip for å skjule åpne kontakter og pakk inn batteriet på en slik måte at den ikke kan bevege seg rundt i emballasjen.

11. Når du kasserer batteriinnsetsen, må du ta den ut av verktøyet og avhende den på et sikkert sted. Følg lokale bestemmelser for avhending av batterier.
12. Bruk batteriene kun med produkter spesifisert av Makita. Montere batteriene i produkter som ikke er konforme kan føre til brann, overheting eller elektrolyttlekkasje.
13. Hvis verktøyet ikke skal brukes over en lengre periode, må batteriet tas ut av verktøyet.

## TA VARE PÅ DISSE INSTRUKSENE.

**⚠ FORSIKTIG:** Bruk kun originale Makita-batterier. Bruk av batterier som har endret seg, eller som ikke er originale Makita-batterier, kan føre til at batteriet sprekker og forårsaker brann, personskader og andre skader. Det vil også ugyldiggjøre garantien for Makita-verktøyet og -laderen.

## Tips for å opprettholde maksimal batterilevetid

1. Lad batteriinnsetsen før den er helt utladet. Stopp alltid driften av verktøyet og lad batteriinnsetsen når du merker at effekten reduseres.
2. Lad aldri en batteriinnsets som er fulladet. Overopplading forkorter batteriets levetid.
3. Lad batteriet i romtemperatur ved 10 °C - 40 °C. Et varmt batteri må kjøles ned før lading.
4. Lad batteriet hvis det ikke har vært brukt på en lang stund (over seks måneder).

# FUNKSJONSBEKRIVELSE

**⚠️ FORSIKTIG:** Forviss deg alltid om at maskinen er slått av og batteriet tatt ut før du justerer maskinen eller kontrollerer dens mekaniske funksjoner.

## Sette inn eller ta ut batteri

**⚠️ FORSIKTIG:** Slå alltid av verktøyet før du setter inn eller fjerner batteriet.

**⚠️ FORSIKTIG:** Hold verktøyet og batteripatronen i et fast grep når du monterer eller fjerner batteripatronen. Hvis du ikke holder verktøyet og batteripatronen godt fast, kan du miste grepet, og dette kan føre til skader på verktøyet og batteripatronen samt personskafer.

Når du skal sette i batteriet, åpner du dekselet samtidig som du skyver sperrespaken. Plassere fjæren på batteriet på linje med sporet i huset, og skyv batteriet på plass. Skyv det helt inn til det går i inngrep med et lite klikk. Hvis du kan se den røde indikatoren på oversiden av knappen, er det ikke fullstendig låst.

Når du har satt i eller tatt ut batteriene, må du lukke dekselet.

► **Fig.1:** 1. Deksel 2. Sperrespak

Når du skal ta ut batteriene, må du løfte batteriet mens du trykker på knappen foran på batteriet.

► **Fig.2:** 1. Rød indikator 2. Knapp 3. Batteriinnsetts

**⚠️ FORSIKTIG:** Batteriet må alltid settes helt inn, så langt at den røde anviseren ikke lenger er synlig. Hvis dette ikke gjøres, kan batteriet komme til å falle ut av maskinen og skade deg eller andre som oppholder seg i nærheten.

**⚠️ FORSIKTIG:** Ikke bruk makt når du setter i batteriet. Hvis batteriet ikke blir lett inn, er det fordi det ikke settes inn på riktig måte.

**⚠️ FORSIKTIG:** Pass på å sperre dekselet før du bruker maskinen.

## Batterivernsystem for verktøy/batteri

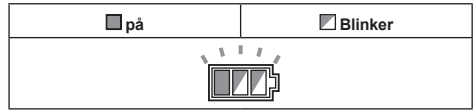
Verktøyet er utstyrt med et batterivernsystem for verktøy/batteri. Dette systemet kutter automatisk strømmen til motoren for å forlenge verktøyets og batteriets levetid. Verktøyet stopper automatisk under drift hvis verktøyet eller batteriet utsettes for en av følgende tilstander:

## Overlastsikring

Når batteriet brukes på en måte som gjør at det bruker unormalt mye strøm, vil verktøyet stoppe, helt automatisk og uten forvarsel. I dette tilfellet må du slå av verktøyet og avslutte bruken som forårsaket at verktøyet ble overbelastet. Slå deretter verktøyet på for å starte det igjen.

## Overopphetingsvern

Når verktøyet blir overopphetet, stopper verktøyet automatisk, og batteriindikatoren blinker. Hvis dette skjer, må du la verktøyet kjøle seg ned før du slår på verktøyet igjen.



## Overutladingsvern

Når det blir batterikapasiteten er utilstrekkelig, stopper verktøyet automatisk. I så fall fjerner du batteriet fra verktøyet og lader det.

## Indikere gjenværende batterikapasitet

**Kun for batterier med indikatoren**

► **Fig.3:** 1. Indikatorlamper 2. Kontrollknapp

Trykk på sjekk-knappen på batteriet for vise gjenværende batterikapasitet. Indikatorlampene lyser i et par sekunder.

Indikatorlamper			Gjenværende batterinivå
Tent	Av	Blinker	
■	□	◐	75 % til 100 %
■	■	□	50 % til 75 %
■	□	□	25 % til 50 %
■	□	□	0 % til 25 %
◐	□	□	Lad batteriet.
■	■	□	Batteriet kan ha en feil.
□	□	■	

**MERK:** Det angitte nivået kan avvike noe fra den faktiske kapasiteten alt etter bruksforholdene og den omgivende temperaturen.

## Indikere gjenværende batterikapasitet

**OBS:** Batteriindikatoren lyser ikke når strømbryteren står på OFF (AV). Når du skal kontrollere resterende batterikapasitet, dreier du strømbryteren til høy eller lav trykkmodus.

Trykk på kontrollknappen for vise det gjenværende batterinivået. Batteriindikatorerne korresponderer til hvert batteri.

► **Fig.4:** 1. Batteriindikator 2. Kontrollknapp

Batteriindikatorstatus			Gjenværende batterikapasitet
På	Av	Blinker	
			50 % til 100 %
			20 % til 50 %
			0 % til 20 %
			Lad batteriet

## Strømbryter

**OBS: Ikke bruk makt når du slår på strømbryteren.** Det kan føre til at bryteren ikke virker.

Drei strømbryteren med eller mot klokken, avhengig av trykknivået. Drei strømbryteren med klokken for høy trykkmodus, mot klokken for lav trykkmodus.

► **Fig.5:** 1. Lav trykkmodus 2. OFF (AV)-stilling 3. Høy trykkmodus

**MERK:** Batteriindikatoren vil lyse i noen sekunder når du dreier strømbryteren høy eller lav trykkmodus.

## Munnstykkefunksjoner

**MERK:** Standardmunnstykkene varierer avhengig av land. Se også i avsnittet om EKSTRA TILBEHØR for andre munnstykker.

## Strålerør

### Landsspesifikk

► Fig.6

Strålebredden kan justeres fra 0° til 25° ved å rotere den fremre enden av munnstykket.

**⚠FORSIKTIG:** Når du justerer strålebredden, må du ikke rotere munnstykket samtidig som du drar det mot sprøytepipstolen. Munnstykket kan løsne fra sprøytepipstolen og føre til personskader.

## Smussfjerner

### Landsspesifikk

► Fig.7

Et spiralformet stråle sprøytes ut. Egnet for å fjerne gjenstridig smuss.

**OBS: Ikke bruk smussfjerner når du skal rengjøre skjøre overflater slik som vinduer eller karosserier.**

## Bruke utløseren

Dra i utløseren for å sprøyte ut en vannstråle. Strålen fortsetter å strømme ut så lenge du holder utløseren inne.

Utløseren kan låses slik at sprøytepipstolen kan håndteres på en sikker måte. Hvis du vil låse utløseren, drar du ut stopperen og hekter den i sporet på håndtaket.

► **Fig.8:** 1. Avtrekker 2. Stopper 3. Spor

**OBS:** La det alltid gå to sekunder mellom hver gang du trykker på utløseren slik at du unngår mekanisk feil i trykkbryteren.

## Sikkerhetsventil

Enheten er utstyrt med en sikkerhetsventil som hindrer overtrykk. Når du slipper utløseren, åpnes ventilen, og vannet resirkuleres gjennom pumpeinnløpet.

**⚠FORSIKTIG:** Ikke tukle med eller juster sikkerhetsventilinnstillingen.

## Forsyne vann fra en tank/et reservoar

Du kan forsyne vann fra en tank eller et reservoar i stedet for en vannkran.

Bytt ut vannslangetilkoblingen med sugeslangesettet. Når du skal koble til sugeslangesettet, kobler du filterhuset fra slangen og fester filterhuset til høytrykksspylerens innløp. Deretter kobler du slangen til filterhuset.

**MERK:** Når du tar bort/kobler slangen fra/til filterhuset, dreier du hylsen mens du holder slangen slik at slangen ikke roterer sammen med hylsen.

► **Fig.9:** 1. Tank/reservoar 2. Sugelangesett 3. Vannslangetilkobling 4. Slange 5. Filterhus 6. Innløp på høytrykksspyleren 7. Slangeklemme 8. Hylse

**⚠FORSIKTIG:** Når du fester hylsen til filterhuset, må du passe på at du ikke skader hånden på slangeklemmen.

**OBS:** Bruk alltid Makitas sugelangesett.

**OBS:** Sørg alltid for at det er en høyde på 1 m (3,28 ft) eller mindre mellom innløpet på høytrykksspyleren og vannflaten. Ellers klarer ikke høytrykksspyleren å trekke vannet opp i pumpen.

For å føre vann inn i slangen fjerner du munnstykket fra sprøytepipstolen og slår på høytrykksspyleren samtidig som du holder utløseren inne. Når vannet sprøytes jevnt ut fra sprøytepipstolen, slipper du utløseren og kobler til ønsket munnstykke.

► **Fig.10:** 1. Sprøytepipstol

**MERK:** Når det ikke sprøytes ut vann, kobler du fra sugelangesettet og senker det i vann. Deretter kobler du den til høytrykksspyleren igjen.

► **Fig.11:** 1. Sugelangesett



## Når beholderen brukes som en vanntank

Du kan bruke beholderen som følger med høytrykksspyleren (avhengig av land) som en vanntank.

1. Tøm beholderen, og fyll den med vann.  
► **Fig.12:** 1. Strek for maks. vannivå

**OBS:** Ikke fyll i vann over streken for maks. vannivå.

**OBS:** Lokket på beholderen er ikke av en forsegldne type. Pass på at du ikke søler du vannet i beholderen når du bærer den.

2. Koble filterhuset fra sugeslangesettets slange.  
► **Fig.13:** 1. Slange 2. Filterhus
3. Ta av dekselet på vanninnløpet, og før sugeslangesettet gjennom innløpet som illustrert.  
► **Fig.14:** 1. Deksel 2. Dekselholder 3. Vanninnløp 4. Sugelangesett

**MERK:** Dekselet på vanninnløpet kan plasseres på dekselholderen.

4. Fjern vannslangetilkoblingen fra innløpet på høytrykksspyleren. Deretter kobler du filterhuset til innløpet, og så slangen til filterhuset.  
► **Fig.15:** 1. Høytrykksspylerens innløp 2. Filterhus 3. Vannslangetilkobling 4. Slange
5. Sett høytrykksspyleren på beholderen slik at den festes med holderne på beholderens lokk.  
► **Fig.16:** 1. Høytrykksspyler 2. Lokk 3. Avluftingshull

**OBS:** Vær forsiktig med håndteringen av beholderen når du bærer den. Å bære beholderen med høytrykksspyler og tilbehør eller vann i, kan føre til uhell eller personskade på grunn av beholderens egenvekt.

**OBS:** Pass på at du ikke rister, velter eller holder beholderen for skrått når du bærer den. Det kan føre til at:

- vannet inni renner ut
- høytrykksspyleren på lokket løsner fra beholderen, eller
- beholderens hjul hindres i å rotere.

**OBS:** Når du bærer beholderen i håndtaket, kan vann renne ut hvis det er mye vann i den.

**OBS:** Det kan komme vann ut av avluftingshullet hvis vannet på innsiden når opp til avluftingshullet når beholderen vippes.

**OBS:** Ikke trø på beholderen. Lokket kan bli ødelagt.

**OBS:** Ikke la beholderen stå fylt med vann over lengre tid. Det kan føre til at beholderen blir skadet og begynner å lekke vann.

Etter bruk følger du fremgangsmåten nedenfor:

1. Ta dekselet av tappeløpet, og tøm ut vannet.  
► **Fig.17:** 1. Tappeløp

2. Tørk bort fuktighet inne i beholderen med en klut, og deretter tørker du beholderen fullstendig.

**OBS:** Ikke sett høytrykksspyleren og tilbehøret til oppbevaring mens beholderen er våt på innsiden. Resterende fuktighet kan føre til funksjonsfeil og rust.

## MONTERING

**⚠FORSIKTIG:** Forviss deg alltid om at maskinen er slått av og batteriet tatt ut før du utfører noe arbeid på maskinen.

### Koble til høytrykksslangen

Koble høytrykksslangen til uttaket (med pistolmerkingen). Drei mutteren på høytrykksslangen med klokken samtidig som du skrur den fast på uttakets skrueregjenge.  
► **Fig.18:** 1. Uttak 2. Mutter

**⚠FORSIKTIG:** Kontroller at høytrykksslangen sitter helt fast. En løs tilkoblingen kan føre til at høytrykksslangen løsner og forårsaker personskader.

### Koble til sprøytepipistolen

Koble høytrykksslangen til innløpet på sprøytepipistolen. Drei mutteren på høytrykksslangen med klokken samtidig som du skrur den fast på innløpets skrueregjenge.  
► **Fig.19:** 1. Innløp 2. Mutter

**⚠FORSIKTIG:** Kontroller at høytrykksslangen sitter helt fast. En løs tilkoblingen kan føre til at høytrykksslangen løsner og forårsaker personskader.

### Koble til en vannkran

**⚠FORSIKTIG:** Bruk alltid en trykkfast vannslange med en diameter på  $\varnothing$  13 mm eller større, og koble til vannkranen med riktig utstyr. Ellers kan vannslangen og/eller utstyret ryke og forårsake personskader.

**OBS:** Bruk en trykkfast vannslange som er så kort som mulig. Mengden med innløpsvann skal være høyere enn maks. matevolum for pumpen.

**OBS:** Hvis du kobler til hovedrøret for drikkevann, må du bruke en sikkerhetsventil for tilbakestrømning som oppfyller de lokale forskriftene.

Klargjør en trykkfast vannslange. Koble koblingshylsteret til én ende, og koble den andre enden til vannkranen på følgende måte.

1. Fjern mutteren på koblingshylsteret, og før den trykkfaste vannslangen gjennom mutteren. Før enden av slangen inn i koblingshylsteret, og trekk til mutteren.  
► **Fig.20:** 1. Trykkfast vannslange 2. Mutter på koblingshylsteret 3. Koblingshylster

**MERK:** Hvis du vil koble den trykkfaste vannslangen til vannkranen med et koblingshylster, må du klargjøre et annet koblingshylster og koble det til den andre enden av slangen.

2. Koble den trykkfaste vannslangen til vannkranen. Sett på riktig utstyr, for eksempel en slangeklemme eller vannkranovergang, for å feste enden av slangen til vannkranen.  
► **Fig.21:** 1. Slangeklemme 2. Vannkranovergang 3. Trykkfast vannslange

**MERK:** Utstyret avhenger av formen på vannkranen du kobler til. Klargjør egnet utstyr som er kjøpt kommersielt.

3. Koble vannslangetilkoblingen til innløpet (med vannkranmerkingen), og før deretter inn koblingshylsteret.  
► **Fig.22:** 1. Koplingshylster 2. Vannslangetilkobling 3. Innløp på høytrykksspyleren

## Koble til/fra munnstykket

**⚠FORSIKTIG:** Lås alltid utløseren på sprøyte-pistolen når du skal koble til/fra munnstykket.

Før enden av munnstykket inn i sporet på sprøyte-pistolen, og dreii det i pilens retning slik figuren viser. Når du skal koble fra munnstykket, dreier du munnstykket i motsatt retning mens du presser den mot sprøyte-pistolen.

- **Fig.23:** 1. Sprøytepistol 2. Åpning 3. Enden av munnstykket

## Koble til skummunnstykket

*Valgfritt tilbehør*

**⚠FORSIKTIG:** Lås alltid utløseren på sprøyte-pistolen når du skal koble til/fra munnstykket.

Klargjør et vaskemiddel før du bruker skummunnstykket.

1. Fjern munnstykket fra tanken ved å rotere munnstykket mot klokken. Koble munnstykket til sprøyte-pistolen.

- **Fig.24:** 1. Munnstykke 2. Sprøytepistol

2. Tøm vaskemiddelet i tanken, og fest den til munnstykket.

- **Fig.25:** 1. Beholder

**OBS:** Bruk alltid nøytralt vaskemiddel. Syreholdig eller alkalisk vaskemiddel kan skade tanken eller munnstykket.

## Plassere verktøykofferten av plast på beholderen

*Valgfritt tilbehør*

Du kan plassere verktøykofferten av plast fra Makita oppå beholderen. Sett verktøykofferten av plast på beholderen slik at den festes med festene på beholderens lokk.

- **Fig.26:** 1. Verktøykoffert av plast 2. Feste

## Plassere beholderen på trallen

*Valgfritt tilbehør*

Nå beholderen fraktes med trallen fra Makita, skal beholderen plasseres i posisjon. Pass på at bunnen på beholderen passer inn i plattformen på trallen.

- **Fig.27:** 1. Bunnen på beholderen 2. Plattformen på trallen

**⚠FORSIKTIG:** Når du bruker trallen, skal ikke beholderen være fylt med vann når du frakter den. Det kan forårsake at den velter, noe som kan føre til personskade eller at beholderen blir deformert slik at den lekker vann.

## BRUK

**⚠ADVARSEL:** Ikke berør vannstrålen eller rett den mot deg selv eller andre. Vannstrålen er farlig og kan skade deg eller andre.

**⚠ADVARSEL:** Når bruker vannstrålen, må du aldri holde gjenstanden som du skal rengjøre eller plassere hendene eller føttene nær vannstrålen.

**⚠FORSIKTIG:** Vær oppmerksom på at vannstrålen kan slå tilbake eller gjenstander bli blåst bort. Ikke hold munnstykket nærmere gjenstanden enn 30 cm .

**⚠FORSIKTIG:** Ikke bruk høytrykksspyleren i mer enn 1 minutt uten vann.

**⚠FORSIKTIG:** Ikke bruk høytrykksspyleren i lange perioder. Det kan føre til overoppheting eller brann. Langvarig bruk kan dessuten føre til overdreven vibrasjon.

**⚠FORSIKTIG:** Vær oppmerksom på vindretningen. Hvis du får vaskemiddel i øynene eller munnen, må du umiddelbart skylle med rent vant og oppsøke lege ved behov.

**OBS:** Unngå å bruke høytrykksspyleren i mer enn 1 time. Når du har brukt den i 1 time, må du la den hvile like lenge.

**OBS:** For å beskytte høytrykksspylerens mekanisme, må du aldri bruke vann som er varmere enn 40 °C.

1. Koble den ene enden av høytrykksslangen til sprøyte-pistolen og den andre enden til høytrykksspyleren.

2. Koble høytrykksspyleren til kranen ved hjelp av en vannslange. Deretter åpner du kranen.

- **Fig.28**

3. Åpne dekselet, og sett batteriene inn i høytrykksspyleren. Deretter sperrer du dekselet.

- **Fig.29:** 1. Batteri 2. Deksel

4. Drei strømbryteren til ønsket modus.

- **Fig.30:** 1. Lav trykkmodus 2. OFF (AV)-stilling 3. Høy trykkmodus

5. Åpne stopperen, og klem på utløseren for å sende ut en vannstråle. Strålen fortsetter å strømme ut så lenge du holder utløseren inne.

- **Fig.31:** 1. Stopper

**⚠FORSIKTIG:** Hold godt tak i sprøyte-pistolen. Sprøyte-pistolen slår tilbake når du klemmer på utløseren.

**⚠FORSIKTIG:** Hold alltid sprøyte-pistolen i håndtaket og løpet når du sprøyter ut en vannstråle.

**OBS:** Ikke dra for hardt når du bruker sprøyte-pistolen. Det kan føre til at høytrykksspyleren velter.

Når du tar en pause i arbeidet, kan du plassere sprøyte-pistolen midlertidig som vist i figuren.

- **Fig.32**

## Etter bruk

**⚠FORSIKTIG:** Etter bruk av høytrykksspyleren må du alltid utføre prosedyren som beskrives i bruksanvisningen. Resttrykk i sprøytepipstolen eller høytrykksspyleren kan forårsake personskader eller skade på den innvendige pumpen.

1. Slå av høytrykksspyleren.
2. Steng vannkranen, og koble vannslangen fra høytrykksspyleren.  
▶ Fig.33
3. Slå på høytrykksspyleren igjen.
4. Klem på utløseren til resten av vannet i høytrykksspyleren har rent ut.  
▶ Fig.34

**OBS:** Ikke la motoren svive i mer enn 1 minutt.

5. Slå av høytrykksspyleren, og ta ut batteriene.  
▶ Fig.35: 1. Strømbryter 2. Batteri
6. Koble høytrykksslangen fra sprøytepipstolen og høytrykksspyleren.  
▶ Fig.36: 1. Sprøytepipstol 2. Høytrykksslange 3. Høytrykksspyler

**OBS:** Fjern resten av vannet fra slangen før oppbevaring slik at du unngår skade på høytrykksslengen.

## VEDLIKEHOLD OG OPPBEVARING

**⚠FORSIKTIG:** Forviss deg alltid om at maskinen er slått av og batteriet tatt ut før du foretar inspeksjon eller vedlikehold.

**OBS:** Aldri bruk gasolin, bensin, tynner alkohol eller lignende. Det kan føre til misfarging, deformering eller sprekkdannelse.

For å opprettholde produktets SIKKERHET og PÅLITELIGHET, må reparasjoner, vedlikehold og justeringer utføres av autoriserte Makita servicesentre eller fabrikkservicesentre, og det må alltid brukes reservedeler fra Makita.

## Rengjøre munnstykket

Bruk rengjøringspinnen for å fjerne smuss fra eller stake opp munnstykket.

- ▶ Fig.37: 1. Rengjøringspinne

**OBS:** Ikke fjern smuss eller rester med makt. Det kan føre til personskader eller skade utskytingsmunningen og forårsake skjeve stråler eller dårlig ytelse.

## Rengjøre filteret

Koble fra vannslangekoblingen, og fjern smuss og rester fra insiden av filteret.

- ▶ Fig.38: 1. Vannslangeilkobling 2. Filter 3. Tetningsring

Når du bruker sugeslangesettet (valgfritt tilbehør), tar du filteret ut av filterhuset og fjerner smuss og rester.

- ▶ Fig.39: 1. Filter 2. Filterhus

**MERK:** Rengjør filteret regelmessig slik at du oppnår optimal ytelse.

## Oppbevaring

**⚠FORSIKTIG:** Skal alltid oppbevares innendørs på et frostfritt sted. Hvis høytrykksspyleren fryser og blir defekt, kontakter du det lokale serviceverkstedet for reparasjon.

Oppbevar tilbehøret i sidelommen på høytrykksspyleren.

### Eksempel på oppbevaring

- ▶ Fig.40: 1. Høytrykksslange 2. Munnstykke 3. Sprøytepipstol

Hvis modellen din er utstyrt med beholderen, oppbevarer du høytrykksspyleren og tilbehøret i den.

### Eksempel på oppbevaring

- ▶ Fig.41: 1. Høytrykksspyler 2. Munnstykke 3. Sprøytepipstol 4. Vaskebørste 5. Skummunnstykke 6. Høytrykksslange 7. Lader 8. Sugelangesett 9. Trykkfast vannslange

**MERK:** Noe av tilbehøret som vises i illustrasjonen leveres som ekstrautstyr i enkelte land.

# FEILSØKING

Inspirer utstyret selv før du bestiller reparasjon. Ikke prøv å demontere verktøyet hvis du finner et problem som ikke er forklart i brukerveiledningen. I stedet bør du ta kontakt med et av Makitas autoriserte servicesentre, som alltid bruker reservedeler fra Makita til reparasjoner.

Unormal tilstand	Sannsynlig årsak (feil)	Løsning
Høytrykksspyleren starter ikke.	Ingen strøm	Sett inn ladede batterier.
	Bryteren er ikke slått på.	Slå på bryteren.
	Resttrykk i pumpen	Dra i utløseren.
	Skadet batteri eller strømkrets	Kontakt et autorisert serviceverksted for reparasjon.
Ingen vannstråle/svak vannstråle	Ingen vanntilførsel	Kontroller at vannkranen er åpen. Hvis du bruker sugeslangesettet, må du føre vann inn i slangen.
	Dårlig vanntilførsel	Slå på vannkranen.
	Dårlig vannslangetilkobling	Kontroller tilkoblingen mellom høytrykksspyleren og vannkranen.
	Tilstoppet slange, filter eller munnstykke	Stak opp slangen, filteret eller munnstykket.
	Luft sperrer vannstrømmen.	Slå av bryteren, og slå den deretter på igjen samtidig som du klemmer på utløseren.
	Skadet eller utslitt munnstykke	Skift ut munnstykket.
Ustabil vannstråle	Feil på pumpe eller ventil	Kontakt et autorisert serviceverksted for reparasjon.
	Tilstoppet dyse	Stak opp utskytingsmunningen på munnstykket med rengjøringsspinnen.
	Dårlig vanninntak	Kontroller vannslangen fra vannkranen og videre med tanke på lekkasje eller tilstopping. Slå på vannkranen.
	Vannet er for varmt.	Tilfør kaldere vann.
Uvanlig lyd	Ventilfeil	Kontakt et autorisert serviceverksted for reparasjon.
	Vannet er for varmt.	Tilfør kaldere vann.
Vannlekkasje	Luft sitter fast i pumpen.	Kontakt et autorisert serviceverksted for reparasjon.
	Dårlig tilkobling	Kontroller tilkoblingen mellom høytrykksspyleren og sprøytetipstolen samt vannkranen.
	Utslitte tetninger	Kontakt et autorisert serviceverksted for reparasjon.

## VALGFRITT TILBEHØR

**⚠️ FORSIKTIG:** Det anbefales at du bruker dette tilbehøret eller verktøyet sammen med den Makita-maskinen som er spesifisert i denne håndboken. Bruk av annet tilbehør eller verktøy kan forårsake personskader. Tilbehør og verktøy må kun brukes til det formålet det er beregnet på.

Ta kontakt med ditt lokale Makita-servicesenter hvis du trenger mer informasjon om dette tilbehøret.

**MERK:** Enkelte elementer i listen kan være inkludert som standardtilbehør i verktøypakken. Elementene kan variere fra land til land.

## Vario-Power strålerør

► Fig.42

Stråletrykket kan justeres ved å rotere munnstykket.

**⚠️ FORSIKTIG:** Når du justerer stråletrykket, må du ikke rotere munnstykket samtidig som du drar det mot sprøytetipstolen. Munnstykket kan løsne fra sprøytetipstolen og føre til personskader.

## Skummunnstykke

*Landsspesifikk*

► Fig.43

Vaskemiddel kan sprøytes som skum.

## Vaskebørste (lang)

► Fig.44

Et munnstykke utstyrt med en børste. Praktisk for vasking av smuss samtidig som du skrubber med børsten.

## Sugeslangesett

► Fig.45

Erstatt vannslangen med dette settet for å tilføre vann fra en tank eller et reservoar.

## Roterende vaskebørste

► Fig.46

Tre innvendige børster roterer sakte samtidig som strålen sprøytes ut. Egnert for rengjøring av lett smuss på en utvendig vegg, et karosseri, et badekar, osv.

## Rørforlenger

### ► Fig.47

Rør som brukes for å forlenge sprøytepestolens lengde. Tre forskjellige lengder er tilgjengelige ved å endre antall rør som brukes.

## Strålerør for understell

### ► Fig.48

Et ekstra langt strålerør med vinklet munnstykke. Best egnet for rengjøring av vanskelige tilgjengelige steder som bilens understell og takrenner.

**⚠FORSIKTIG: Ikke bruk strålerøret for understell sammen med rørforlengeren.**

## Sprutbeskytter

### ► Fig.49

Reduserer sprut bakover ved rengjøring av hjørner med smussfjernerer.

## Vrikobling

### ► Fig.50

Hindrer at høytrykksslangen vrir seg.

## Overgang

### ► Fig.51

En overgang som brukes for å koble til et munnstykke fra en annen modell.

Enkelte valgfrie munnstykker krever overgangen (valgfritt tilbehør) når sprøytepestolen skal kobles til. Koble overgangen til sprøytepestolen på samme måte som munnstykket.

► Fig.52: 1. Munnstykke 2. Overgang 3. Sprøytepestol

**MERK:** Du må bruke overgangen når du benytter munnstykkene som følger med en annen modell, HW112 eller HW121.

## Rørrengjøringssett (10 m/15 m)

### ► Fig.53

For rengjøring og oppsteking av sanitæranlegg og nedløpsrør.

**⚠FORSIKTIG: Vær spesielt oppmerksom på vannstrålen når du bruker rørrengjøringssettet. En svært kraftig vannstrålen sprøytes ut bakover. Sørg for å føre slangehodet inn i røret før du drar i avtrekkeren.**

## Forlengelseshøytrykksslange (5 m/8 m/10 m)

### ► Fig.54

Forlengelsesslange som brukes for å koble høytrykksspylerhuset til sprøytepestolen.

## VAROITUS

- Laitteita ei saa käyttää lasten toimesta. Lapsia tulee valvoa ja varmistaa, etteivät he pääse leikkimään laitteella.
- Tämä laite ei ole tarkoitettu sellaisten henkilöiden, esimerkiksi lasten, käytettäväksi, joiden fyysiset, sensoriset tai henkiset kyvyt tai kokemuksen tai tiedon puute estävät heitä käyttämästä laitetta turvallisesti.
- Tämä laite on suunniteltu käytettäväksi mukana toimitetun tai valmistajan suositteleman pesuaineen kanssa. Muiden pesuaineiden tai kemikaalien käyttö voi vaikuttaa haitallisesti laiteturvallisuuteen.
- Korkeapainesuihkut voivat olla vaarallisia väärinkäytettynä. Suihkua ei saa suunnata suoraan henkilöihin, jännitteellisiin sähkölaitteisiin tai itse laitteeseen.
- Älä käytä laitetta sivullisten henkilöiden läsnäollessa, ellei heillä ole suojavaatetusta.
- Älä suuntaa suihkua itseäsi tai sivullisia kohti vaatteiden tai jalkineiden puhdistamista varten.
- Räjähdysvaara - Älä suihkuta herkästi syttyviä nesteitä.
- Korkeapainepesureita ei saa käyttää lasten tai kouluttamattoman henkilöstön toimesta.
- Korkeapaineletkut, liittimet ja kiinnikkeet ovat tärkeitä tekijöitä laiteturvallisuuden varmistamiseksi. Käytä ainoastaan valmistajan suosittelemia letkuja, liittimiä ja kiinnikkeitä.
- Laiteturvallisuuden varmistamiseksi käytä aina valmistajan toimitamia alkuperäisiä varaosia tai valmistajan hyväksymiä varaosia.
- Varmista aina ennen laitteelle tehtäviä toimia, että laite on sammutettu ja akkupaketit on irrotettu.
- Älä käytä laitetta, jos sen tärkeitä laiteosia, kuten turvalaitteet, korkeapaineletkut tai suihkupistooli, on vaurioitunut.
- Poista akkupaketit aina, kun laite jätetään valvomatta.
- Huomioi paikallisen vesilaitoksen tai vesiyhtiön vaatimukset.
- Euroopan valtiot:  
EN12729 (BA) mukaisesti, laite voidaan liittää myös vesijohtovesiverkkoon, jos poistohanallinen takaiskuventtiili on asennettuna vedensyöttöletkuun.

# TEKNISET TIEDOT

<b>Malli:</b>		<b>DHW080</b>
Maksimisyöttönopeus <sup>*1</sup>		6,3 l/min
Veden virtausnopeus <sup>*2</sup>	Korkea tila	5,5 l/min
	Matala tila	4,0 l/min
Sallittu maksimikäyttöpaine		8,0 MPa
Käyttöpaine <sup>*2</sup>	Korkea tila	5,5 MPa
	Matala tila	3,0 MPa
Maksimisyöttöpaine		1,0 MPa
Maksimisyöttölämpötila		40 °C
Maksimi-imukorkeus		1 m
Nimellisjännite		DC 36 V
Mitat (P x L x K)		438 mm x 218 mm x 269 mm
Paino		7,1 - 7,7 kg

\*1: Pesuharjaa käytettäessä.

- Jatkuvasta tutkimus- ja kehitystyöstämme johtuen esitetyt tekniset tiedot saattavat muuttua ilman erillistä ilmoitusta.

- Tekniset tiedot voivat vaihdella maittain.

- Paino voi olla erilainen lisävarusteista sekä akusta johtuen. EPTA-menettelytavan 01/2014 mukaisesti, taulukossa on kuvattu kevyin ja painavin laiteyhdistelmä.

\*2: Suihkuvartta käytettäessä.

## Käytettävä akkupaketti ja laturi

Akkupaketti	BL1815N / BL1820 / BL1820B / BL1830 / BL1830B / BL1840 / BL1840B / BL1850 / BL1850B / BL1860B
Laturi	DC18RC / DC18RD / DC18RE / DC18SD / DC18SE / DC18SF / DC18SH

- Tiettyjä yläpuolella kuvattuja akkuja ja latureita ei ehkä ole saatavana asuinalueestasi johtuen.

**VAROITUS:** Käytä vain edellä eriteltyjä akkupaketteja ja latureita. Muiden akkupakettien ja laturien käyttäminen voi aiheuttaa loukkaantumisen ja/tai tulipalon.

## Symbolit

Laitteessa on käytetty seuraavia symboleja. Opettele niiden merkitys ennen käyttöä.



Lue käyttöohje.



Noudata erityistä varovaisuutta ja kiinnitä huomiota.



Ni-MH  
Li-ion

Koskee vain EU-maita  
Älä hävitä sähkölaitteita tai akkuja tavallisen kotitalousjätteen mukana!  
Sähkö- ja elektroniikkalaiteromua koskevan EU-direktiivin ja paristoja ja akkuja sekä käytettyjä paristoja ja akkuja koskevan direktiivin ja niiden maakohtaisten sovellusten mukaisesti käytetyt sähkölaitteet ja akut on toimitettava ongelmajätteen keräyspisteeseen ja ohjattava ympäristöystävälliseen kierrätykseen.



Älä kytkie juomavesihanaan.



Älä suuntaa suihkua itseäsi, muita sivullisia henkilöitä, eläimiä ja jännitteellisiä sähkölaitteita kohti.

## Käyttötarkoitus

Tämä laite on tarkoitettu pinttyneen lian puhdistamiseen vesisuihkua käyttämällä. Tämä laite on tarkoitettu kotitalouskäyttöön.

## Melutaso

Tyypillinen A-painotettu melutaso määräytyy standardin EN60335-2-79 mukaan:

Äänenpainetaso ( $L_{pA}$ ) : 70,9 dB (A)

Virhemarginaali (K): 3,6 dB (A)

Työskentelyn aikana melutaso voi ylittää 80 dB (A).

**HUOMAA:** Ilmoitetut melutasoarvot on mitattu standarditestausten mukaisesti ja niiden avulla voidaan vertailla työkaluja keskenään.

**HUOMAA:** Ilmoitettuja melutasoarvoja voidaan käyttää myös altistumisen alustavaan arviointiin.

**VAROITUS:** Käytä kuulosuojaimia.

**VAROITUS:** Sähkötyökalun käytön aikana mitattu melutasoarvo voi poiketa ilmoitetuista arvoista laitteen käyttötavan ja erityisesti käsiteltävän työkappaleen mukaan.

**VAROITUS:** Selvitä käyttäjän suojaamiseksi tarvittavat varoimet todellisissa käyttöolosuhteissa tapahtuvan arvioidun altistumisen mukaisesti (ottaen huomioon käyttöjakso kokonaisudessaan, myös jaksot, joiden aikana laite on sammutettuna tai käy tyhjäkäynnillä).

## Tärinä

Kokonaistärinä (kolmen akselin vektorien summa) määräytyy standardin EN60335-2-79 mukaan: Tärinäpäästö ( $a_n$ ): 2,5 m/s<sup>2</sup> tai alhaisempi Virhemarginaali (K): 1,5 m/s<sup>2</sup>

**HUOMAA:** Ilmoitetut kokonaistärinäarvot on mitattu standarditestausmenetelmän mukaisesti ja niiden avulla voidaan vertailla työkaluja keskenään.

**HUOMAA:** Ilmoitettuja kokonaistärinäarvoja voidaan käyttää myös altistumisen alustavaan arviointiin.

**VAROITUS:** Sähkötyökalun käytön aikana mitattu todellinen tärinäpäästöarvo voi poiketa ilmoitetuista arvoista laitteen käyttötavan ja erityisesti käsiteltävän työkappaleen mukaan.

**VAROITUS:** Selvitä käyttäjän suojaamiseksi tarvittavat varoimet todellisissa käyttöolosuhteissa tapahtuvan arvioidun altistumisen mukaisesti (ottaen huomioon käyttöjakso kokonaisudessaan, myös jaksot, joiden aikana laite on sammutettuna tai käy tyhjäkäynnillä).

## EY-vaatimustenmukaisuusvakuutus

### Koskee vain Euroopan maita

EY-vaatimustenmukaisuusvakuutus on liitetty tähän käyttöoppaaseen.

## TÄRKEITÄ TURVALLISUUSVAROITUKSIA

**VAROITUS:** Lue huolellisesti kaikki turvallisuusvaroitukset ja käyttöohjeet. Jos varoitusten ja ohjeiden noudattaminen laiminlyödään, seurauksena voi olla sähköisku, tulipalo ja/tai vakava vammautuminen.

## Säilytä varoitukset ja ohjeet tulevaa käyttöä varten.

**VAROITUS** – Tätä tuotetta käytettäessä on aina noudatettava muun muassa seuraavia perusvaroitointia: Työskentelyalueen turvallisuus

1. Pidä sivulliset kaukana työalueelta.
2. Älä ylikurkottele tai seiso epävakaiden kohteiden päällä. Seiso tukevassa asennossa ja säilytä tasapainosi koko työskentelyn ajan.

3. Pidä aina korkeapainepesuri tasaisen ja kestävä pinnan päällä. Vältä paikkoja, missä suihkuvesi voi valua tai muodostaa lammikoita.
4. Tarkasta ympäristö ja puhdistettavat kohteet ennen laitteen käyttöä. Korkeapainepesuri voi valua naarmuttaa maalia tai muita käsiteltyjä, kuten myrkyllisiä kemikaaleja sisältäviä pintoja. Noudata tarvittaessa ehkäisytöimenpiteitä.
5. Varo kompastumista korkeapainepesurin letkuun. Huomioi aina letkun sijainti laitteen käytön aikana.
6. Korkeapainepesurin alaosasta voi valua hie-man vettä käytön aikana. Älä käytä korkeapainepesuria paikoissa, joiden et halua kastuvan.

### Henkilöturvallisuus

1. Suojaa itsesi vesisuihkua ja lentäviä kohteita vastaan käyttämällä tarkoitukseen soveltuvaa vaatekustusta, kuten suojakäsineitä, visiirillä varustettua kypärää, kuulosuojaimia jne.
2. Älä käytä laitetta sivullisten henkilöiden läsnäollessa, ellei heillä ole suojavaatetusta.
3. Vahinkojen välttämiseksi tarkkaile ympäristöä huolellisesti jos laitetta käytetään lasten läheisyydessä.
4. Jos laite kytketään juomavesiputkistoon, järjestelmä on suojattava takaisvirtaukselta.
5. Kierrätettävä takaisin virtaava vesi määritetään juotavaksi kelpaamattomaksi.

### Sähköturvallisuus

1. Älä koskaan koske akkupaketteihin märin käsin.
2. Älä käytä laitetta, jos sen tärkeitä laiteosia, kuten turvalaitteet, korkeapainepesuri tai suihkupistooli, on vaurioitunut.

### Sähkökäyttöisen laitteen käyttö ja hoito

1. Lue kaikki ohjeet huolellisesti ennen laitteen käyttöä.
2. Opettele, kuinka korkeapainepesuri sammu-tetaan ja paineet poistetaan nopeasti. Tutustu laitteen kaikkiin toimintaohjaimiin.
3. Korkeapainepesuri voi olla vaarallisia väärinkäytettyinä. Suihkua ei saa suunnata suoraan henkilöihin, jännitteellisiin sähkölaitteisiin tai itse laitteeseen.
4. Tämä laite ei ole tarkoitettu sellaisten henkilöiden, esimerkiksi lasten, käytettäväksi, joiden fyysiset, sensoriset tai henkiset kyvyt tai kokemuksen tai tiedon puute estävät heitä käyttämästä laitetta turvallisesti.
5. Lapsia tulee valvoa ja varmistaa, etteivät he pääse leikkimään laitteella.
6. Älä suihkuta herkästi syttyviä ja/tai myrkyllisiä nesteitä. Tämä voi aiheuttaa räjähdyksen, myrkytyksen tai laitevaurion.

7. Älä suuntaa suihkua itseäsi tai sivullisia kohti vaatteiden tai jalkineiden puhdistamista varten.
8. Korkeapainepesuri, liittimet ja kiinnikkeet ovat tärkeitä tekijöitä laiteturvallisuuden varmistamiseksi. Käytä ainoastaan valmistajan suosittelemia letkua, liittimiä ja kiinnikkeitä.
9. Noudata lisävarusteiden vaihtamista koskevia ohjeita.



10. Pidä kahvat kuivina ja puhtaina öljystä tai rasvasta.
  11. Pysyttele valppaana, tarkkaile tekemisiäsi.
  12. Älä käytä laitetta väsyneenä tai alkoholiin tai huumeiden (myös huumaavat lääkkeet) vaikutuksen alaisena.
  13. Älä käytä korkeapainepesuria ilman vettä yli yhden minuutin ajan. Muussa tapauksessa voi seurauksena olla moottorivaurio sekä laitteen toimintahäiriöt.
  14. Katkaise aina virta ja vedensyöttö jättäessäsi korkeapainepesurin ilman valvontaa.
  15. Varo takaiskuja. Suihkupistooli kimmahtaa takaisin, kun korkeapainainen vesisuihku virtaa suuttimesta ulos. Pidä suihkupistoolista luotettavasti kiinni vahinkojen välttämiseksi.
  16. Tarkasta vaurioituneet ja kuluneet osat ennen laitteen käyttöä. Varmista myös, että letku on liitetty oikein ja ettei vuotoja esiinny laitteen käytön aikana. Toiminnallisesti viallisen laitteen käyttö voi aiheuttaa vahinkoja.
  17. Tämä laite on suunniteltu käytettäväksi mukana toimitetun tai valmistajan suositteleman pesuaineen kanssa. Muiden pesuaineiden tai kemikaalien käyttö voi vaikuttaa haitallisesti laiteturvallisuuteen.
  18. Älä siirrä korkeapainepesuria vetämällä sen lestusta. Tämä voi aiheuttaa letkun ja liitososien vaurioitumisen, oikosulun tai toimintahäiriöitä.
  19. Älä laita raskaita kohteita letkun päälle tai aja ajoneuvolla sen päälle.
  20. Poista suihkupistoolista aina jäännöspaine ennen letkun irrottamista.
  21. Huomioi paikallisen vesilaitoksen tai vesiyhtiön ohjeet liittäessäsi letkua vedensyöttöön.
  22. Jos korkeapainepesuri putoaa tai iskeytyy kovaa esinettä vasten, tarkista, ettei pesuri ole vaurioitunut tai murtunut. Vaurioituneen korkeapainepesurin käyttäminen voi johtaa savuamiseen, tulipaloon tai sähköiskun ja aiheuttaa henkilövammoja.
  23. Korkeapainepesurien käytön aikana voi muodostua aerosoleja. Aerosolien sisäänhengitys voi vaarantaa terveyden.
  24. Korkeapainepesun aikana voidaan käyttöyhteydestä riippuen käyttää suojattuja suuttimia, jotka vähentävät vesiaerosolien muodostumista merkittävästi. Niitä ei voida kuitenkaan käyttää kaikissa käyttöyhteyksissä. Jos suojattujen suuttimien käyttö aerosolien muodostumisen ehkäisemiseen ei ole mahdollista, käyttäjän on ehkä pesu ympäristöstä riippuen käytettävä FFP 2 -luokan hengityssuojainta tai vastaavaa kasvosuojainta.
  25. Estä tahaton käynnistyminen. Varmista, että kytkin on off-asennossa, ennen kuin asetat akkupaketin paikalleen, nosta laitetta tai kantaa sitä. Laitteen kantaminen sormi kytkimellä tai sen kytkeminen virtalähteeseen kytkin painettuna aiheuttaa helposti onnettomuuden.
  26. Irrota akkupaketti laitteesta ennen minkään säätöjen tekemistä, lisävarusteiden vaihtamista tai laitteen varastointia. Tällaiset ehkäisevät turvatoimet pienentävät laitteen vahingossa käynnistymisen vaaraa.
  27. Älä yritä muokata tai korjata laitetta tai akkupakettia muutoin kuin käyttö- ja ylläpito-ohjeissa on ohjeistettu.
  28. VAROITUS – Tartunta- tai tapaturmavaara – älä suuntaa poistohöyryä ihmisiä kohti.
- Akkukäyttöisen työkalun käyttö ja hoito**
1. Lataa akkua vain valmistajan määrittämällä laturilla. Tietyille akkupaketille sopiva laturi voi aiheuttaa tulipalovaaran, jos sitä käytetään muuntotyypisen akkupaketin yhteydessä.
  2. Käytä sähkötyökaluja vain määritysten mukaisten akkujen kanssa. Muuntyyppisten akkujen käyttäminen voi aiheuttaa loukkaantumista tulipalovaaran.
  3. Kun akku ei ole käytössä, säilytä se erillään metalliesineistä, kuten paperiliittimistä, kolikoista, avaimista, naloista, ruuveista ja muista pienistä metalliesineistä, jotka voivat yhdistää akun navat. Akun napojen oikosulkeminen voi aiheuttaa palovamman tai tulipalon.
  4. Akusta voi vuotaa nestettä, jos sitä käsitellään väärin. Vältä kosketusta. Jos nestettä pääsee iholle vahingossa, huuhtelee iho vedellä. Jos nestettä pääsee silmiin, hakeudu lääkärin hoitoon. Ulos purkautunut akkuneste voi ärsyttää ihoa tai aiheuttaa palovammoja.
  5. Älä käytä viallista tai muunneltua akkua tai työkalua. Vialliset tai muunnellut akut voivat toimia odottamattomasti aiheuttamalla tulipalo-, räjähdys- tai tapaturmavaaran.
  6. Älä altista akkua tai työkalua tullelle tai äärimmäisille lämpötiloille. Alitistus tullelle tai yli 130 °C lämpötiloille voi aiheuttaa räjähdyksen.
  7. Noudata kaikkia latausohjeita, äläkä lataa akkua tai työkalua ohjeissa määritettyjen lämpötilarajojen ulkopuolella. Väärin tai ohjeissa määritettyjen lämpötilarajojen ulkopuolella suoritettu lataus voi aiheuttaa akkuvaurion ja kasvattaa tapaturmavaaraa.
- Huolto**
1. Noudata käyttöohjeessa kuvattu ja huolto-ohjeita.
  2. Laiteturvallisuuden varmistamiseksi käytä aina valmistajan toimittamia alkuperäisiä varaosia tai valmistajan hyväksymiä varaosia.
  3. Anna pätevän korjaajan huoltaa korkeapainepesuri vain alkuperäisiä vastaavia varaosia käyttämällä. Tällä varmistetaan korkeapainepesurin käyttöturvallisuuden ylläpitäminen.
  4. Jos korkeapainepesurissa on käyttöhäiriö tai vika, sammuta se ja poista akkupaketit välittömästi. Ota yhteyttä paikalliseen jälleenmyyjäsi tai huoltoliikkeeseen.
- Turvallisuutta koskevia lisävaroituksia**
1. Huomioi paikallisen vesilaitoksen tai vesiyhtiön vaatimukset.
  2. Älä käytä työkalua, kun on olemassa salamaiskun vaara.
  3. Kun käytät työkalua mutaisessa maastossa, mässäsi rinteessä tai liukkaassa paikassa, kiinnitä erityistä huomiota hyvän tasapainon säilyttämiseen.
  4. Vältä työskentelemistä heikoissa olosuhteissa, jotka saattavat uuvuttaa käyttäjää liiallisesti.
  5. Älä vaihda akkua satessa.

6. Älä upota työkalua lammikkoihin.
  7. Älä jätä työkalua ulos sateeseen ja valvomatta.
  8. Poista imuaukkoon (tuuletusaukkoon) kiinni jäävät märät lehdet ja lika.
  9. Älä pese työkalua korkeapaineisella vesisuihkulla.
  10. Kun peset työkalua, huolehdi siitä, ettei vettä pääse sähkömekanismeihin, kuten akkuun, moottoriin tai liitäntöihin.
  11. Kun varastoit työkalun, vältä sijoittamasta sitä paikkaan, jossa se altistuu suoralle auringonpaisteelle, sateelle, kuumuudelle tai kosteudelle.
  12. Tee tarkistukset ja huoltotoimet paikassa, joka on suojassa sateelta.
  13. Irrota kiinni jäänyt lika työkalusta ja kuivaa se huolellisesti ennen varastoimista. Muutoin voi olla olemassa riski jääytymisestä johtuvalle toimintahäiriöllä vuodenajasta ja alueesta riippuen.
  14. Älä kastele akun liittimiä nesteellä, kuten vedellä, äläkä upota akkua nesteeseen. Älä jätä akkua sateeseen, äläkä lataa tai käytä akkua kosteassa tai märässä paikassa tai varastoi sitä tällaiseen paikkaan. Jos liitin kastuu tai akun sisälle pääsee nestettä, akku voi mennä oikosulkuun, mikä aiheuttaa ylikuumentumisen, tulipalon tai räjähdysvaaran.
  15. Kun akku on poistettu työkalusta tai laturista, kiinnitä akun suojakansi akkuun ja varastoi se kuivaan paikkaan.
  16. Älä vaihda akkua märin käsin.
- Turvallisuutta koskevia lisävaroituksia**
1. Huomioi paikallisen vesilaitoksen tai vesiyhtiön vaatimukset.
  2. Älä käytä langallista virtalähdettä, kuten akkusovintita tai kannettavaa tehoyksikköä, tämän laitteen kanssa. Tällainen virtalähteen johto voi haitata käyttöä ja aiheuttaa henkilövahingon.

## SÄILYTÄ NÄMÄ OHJEET.

**VAROITUS:** ÄLÄ anna työkalun helppokäytöisyyden (toistuvan käytön aikaansaama) johtaa sinua väärään turvallisuuden tunteeseen niin, että laiminlyöt työkalun turvaohjeiden noudattamisen.

**VÄÄRINKÄYTTÖ** tai tässä käyttöohjeessa ilmoitettujen turvamääräysten laiminlyönti voi aiheuttaa vakavia henkilövahinkoja.

## Akkupakettia koskevia tärkeitä turvaohjeita

1. Ennen akun käyttöönottoa tutustu kaikkiin laturissa (1), akussa (2) ja akkukäyttöisessä tuotteessa (3) oleviin varoitusteksteihin.
2. Älä pura akkua.
3. Jos akun toiminta-aika lyhenee merkittävästi, lopeta akun käyttö. Seurauksena voi olla ylikuumentuminen, palovammoja tai jopa räjähdys.
4. Jos akkunestettä pääsee silmiin, huuhtele puhtaalla vedellä ja hakeudu välittömästi lääkäriin hoitoon. Akkuneste voi aiheuttaa näön menetyksen.

5. Älä oikosulje akkua.
  - (1) Älä koske akun napoihin millään sähköä johtavalla materiaalilla.
  - (2) Vältä akun oikosulkemista äläkä säilytä akkua yhdessä muiden metalliesineiden, kuten naulojen, kolikoiden ja niin edelleen kanssa.
  - (3) Älä aseta akkua alttiiksi vedelle tai sateelle.

Oikosulku voi aiheuttaa virtapiikin, ylikuumentumista, palovammoja tai laitteen rikkoutumisen.
6. Älä säilytä työkalua ja akkua paikassa, jossa lämpötila voi nousta 50 °C:een tai sitäkin korkeammaksi.
7. Älä hävitä akkua polttamalla, vaikka se olisi pahoin vaurioitunut tai täysin loppuun kulunut. Avotuli voi aiheuttaa akun räjähtämisen.
8. Varo kolhimasta tai pudottamasta akkua.
9. Älä käytä viallista akkua.
10. Sisältyviä litium-ioni-akkuja koskevat vaarallisten aineiden lainsäädännön vaatimukset. Esimerkiksi kolmansien osapuolten huolintaliikkeiden tulee kaupallisissa kuljetuksissa noudattaa pakkaamista ja merkintöjä koskevia erityisvaatimuksia. Lähetettävän tuotteen valmistelu edellyttää vaarallisten aineiden asiantuntijan neuvontaa. Huomioi myös mahdollisesti yksityiskohtaisemmat kansalliset määräykset. Akun avoimet liittimet tulee suojata teipillä tai suojuksella ja pakkaaminen tulee tehdä niin, ettei akku voi liikkua pakkauksessa.
11. Kun akkupaketti on hävitettävä, poista se laitteesta ja hävitä se turvallisesti. Hävitä akku paikallisten määräysten mukaisesti.
12. Käytä akkua vain Makitan ilmoittamien tuotteiden kanssa. Akkujen asentaminen yhteensopimattomiin tuotteisiin voi aiheuttaa tulipalon, liiallisen ylikuumentumisen, räjähdysvaaran tai akkunestevuotoja.
13. Jos laitetta ei käytetä pitkään aikaan, akku on poistettava laitteesta.

## SÄILYTÄ NÄMÄ OHJEET.

**HUOMIO:** Käytä vain alkuperäisiä Makita-akkuja. Muiden kuin aitojen Makita-akkujen, tai mahdollisesti muutettujen akkujen käyttö voi johtaa akun murtumiseen ja aiheuttaa tulipaloja, henkilö- ja omaisuusvahinkoja. Se mitätöi myös Makita-työkalun ja -laturin Makita-takuun.

## Vihjeitä akun käyttöiän pidentämiseksi

1. Lataa akku ennen kuin se purkautuu täysin. Lopeta aina työkalun käyttö ja lataa akku, jos huomaat työkalun tehon vähenevän.
2. Älä koskaan lataa uudestaan täysin ladattua akkua. Ylilataaminen lyhentää akun käyttöikää.
3. Lataa akku huoneen lämpötilassa välillä 10 °C - 40 °C. Anna kuumen akkun jäähtyä ennen lataamista.
4. Lataa akkupaketti, jos et käytä sitä pitkään aikaan (yli kuusi kuukautta).

## TOIMINTOJEN KUVAUS

**⚠️HUOMIO:** Varmista aina ennen säätöjä ja tarkastuksia, että työkalu on sammutettu ja akkupaketti irrotettu.

### Akun asentaminen tai irrottaminen

**⚠️HUOMIO:** Sammuta työkalu aina ennen akun kiinnittämistä tai irrottamista.

**⚠️HUOMIO:** Pidä työkalusta ja akusta tiukasti kiinni, kun irrotat tai kiinnität akkua. Jos akkupaketti tai työkalu putoaa, ne voivat vaurioitua tai aiheuttaa tapaturman.

Asenna akkupaketti paikalleen avaamalla kansi samalla, kun painat lukitusvipua. Sovita akkupaketti kieleke kotelon uraan ja liu'uta akkupaketti sitten paikoilleen. Työnnä akkupaketti pohjaan asti niin, että kuulet sen napsahdavan paikoilleen. Jos painikkeen yläpuolella näkyy punainen ilmaisin, akku ei ole lukkiutunut täysin paikalleen.

Kun akkupaketit on asennettu tai irrotettu, sulje kansi.

► **Kuva1:** 1. Kansi 2. Lukitusvipu

Irrota akkupaketit painamalla nostamalla niitä samalla, kun painat akun etupuolella olevaa painiketta.

► **Kuva2:** 1. Punainen merkkivalo 2. Painike 3. Akkupaketti

**⚠️HUOMIO:** Työnnä akku aina pohjaan asti, niin että punainen ilmaisin ei enää näy. Jos akku ei ole kunnolla paikallaan, se voi pudota työkalusta ja aiheuttaa vammoja joko sinulle tai sivullisille.

**⚠️HUOMIO:** Älä käytä voimaa akun asennuksessa. Jos akku ei liu'uta paikalleen helposti, se on väärässä asennossa.

**⚠️HUOMIO:** Varmista ennen käyttöä, että kansi on lukittu.

### Työkalun/akun suojausjärjestelmä

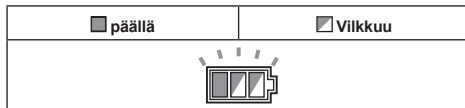
Työkalu on varustettu työkalu/akun suojausjärjestelmällä. Tämä järjestelmä pidentää työkalun ja akun käyttöikää katkaisemalla automaattisesti moottorin virran. Työkalu pysähtyy automaattisesti kesken käytön, jos työkalussa tai akussa ilmenee jokin seuraavista tilanteista:

### Ylikuormitussuoja

Kun työkalua käytetään tavalla, mikä saa sen kuluttamaan epätavallisen suuren määrän virtaa, työkalu pysähtyy automaattisesti ilman mitään merkkivaloa tai ilmaisinta. Katkaise tässä tilanteessa työkalusta virta ja lopeta ylikuormitustilan aiheuttanut käyttö. Käynnistä sitten työkalu uudelleen kytkemällä siihen virta.

### Ylikuumenemissuoja

Kun laite ylikuumentuu, se pysähtyy automaattisesti ja akun merkkivalo vilkkuu. Tässä tapauksessa anna laitteen jäähtyä, ennen kuin kytket sen uudelleen päälle.



### Ylipurkautumissuoja

Kun akun varausta on riittämätön, työkalu pysähtyy automaattisesti. Irrota silloin akku työkalusta ja lataa se.

### Akun jäljellä olevan varaustason ilmaisin

**Vain akkupaketeille ilmaisimella**

► **Kuva3:** 1. Merkkivalot 2. Tarkistuspainike

Painamalla tarkistuspainiketta saat näkyviin akun jäljellä olevan varaustason. Merkkivalot palavat muutaman sekunnin ajan.

Merkkivalot			Akussa jäljellä olevan varaustason
Palaa	Pois päältä	Vilkkuu	
■ ■ ■ ■			75% - 100%
■ ■ ■ □			50% - 75%
■ ■ □ □			25% - 50%
■ □ □ □			0% - 25%
▬ □ □ □			Lataa akku.
■ ■ □ □			Akussa on saattanut olla toimintahäiriö.
□ □ ■ ■			





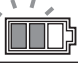


**HUOMAA:** Ilmoitettu varaustaso voi erota hieman todellisesta varaustasosta sen mukaan, millaisissa oloissa ja missä lämpötilassa laitetta käytetään.

### Akun jäljellä olevan varaustason ilmaisin

**HUOMAUTUS:** Akun merkkivalo ei syty, kun virtakytkin on OFF-asennossa. Jos haluat tarkistaa jäljellä olevan akkukapasiteetin, käännä virtakytkin korkealle tai matalapainetilan asentoon.

Painamalla tarkistuspainiketta saat näkyviin akun varaustason. Kumpikin akun ilmaisin vastaa yhtä akkua.

► **Kuva4:** 1. Akun merkkivalo 2. Tarkistuspainike

Akun merkivalon tila			Akussa jäljellä oleva varaus
 Päällä	 Pois päältä	 Viikkuu	
			50 % - 100 %
			20 % - 50 %
			0 % - 20 %
			Lataa akku

## Virtakytkin

**HUOMAUTUS:** Älä käytä virtakytkintä voi-makeinoin. Tämä voi aiheuttaa virtakytkimen toimintahäiriön.

Käännä virtakytkintä myötä- tai vastapäivään painetasosta riippuen. Käännä virtakytkintä myötäpäivään korkeapainetilan kytkemiseksi ja vastapäivään matalapainetilan kytkemiseksi.

► **Kuva5:** 1. Matalapainetila 2. OFF (pois päältä)-asento 3. Korkeapainetila

**HUOMAA:** Akun merkivalot syttyvät muutaman sekunnin ajaksi, kun virtakytkin käännetään korkeai- tai matalapainetilan asentoon.

## Suutintoiminnot

**HUOMAA:** Vakiosuuttimet voivat vaihdella maan mukaan. Katso lisätietoja muista suuttimista LISÄVARUSTEET-osiosta.

## Suihkusuutin

**Maakohtainen**

► **Kuva6**

Vesisuihkun leveys on säädettävissä 0° - 25° välillä kiertämällä suuttimen etupäättä.

**▲HUOMIO:** Vesisuihkun leveyden säätämisen aikana, älä kierrä suutinta samalla kun vedät sitä suihkupistoolia kohti. Suutin voi irrota suihkupistoolista ja aiheuttaa henkilövahingon.

## Spiraalisuihkusuutin

**Maakohtainen**

► **Kuva7**

Kierteissuihku (spiraali). Soveltuu pinttyneen lian puhdistamiseen.

**HUOMAUTUS:** Älä käytä spiraalisuihkusuutinta helposti särkyvien ja hauraiden pintojen puhdistamiseen, kuten esim. ikkunat tai auton rungot.

## Liipaisinkytkimen toiminnot

Paina liipaisinkytkintä vesisuihkun käynnistämiseksi. Vettä suihkutetaan niin kauan kun liipaisinkytkintä pidetään painettuna.

Liipaisinkytkin voidaan lukita suihkupistoolin turvallisen käsittelyn varmistamiseksi. Lukitse liipaisinkytkin vetämällä pysäytin ulos ja lukitsemalla se kahvan uraan.

► **Kuva8:** 1. Liipaisin 2. Pysäytin 3. Ura

**HUOMAUTUS:** Paineenkytkimen mekaanisen häiriön välttämiseksi, pidä aina kahden sekunnin tauko liipaisinkytkimen käytön välillä.

## Varoventtiili

Tämä laite on varustettu varoventtiilillä kohtuuttoman ylipaineen estämiseksi. Kun liipaisinkytkin vapautetaan, venttiili avautuu ja vesi kiertää pumpun imuaukon kautta.

**▲HUOMIO:** Älä muuntele tai säädä varoventtiilin asetuksia.

## Veden syöttö säiliöstä / altaasta

Voit syöttää vettä säiliöstä tai altaasta vesihanan sijasta.

Vaihda vesiletkun liitin imuletkusarjaan. Kun liität imuletkusarjan, irrota suodatinkotelo letkusta ja liitä kotelo korkeapainepesurin imuaukkoon. Tämän jälkeen liitä letku suodatinkoteloon.

**HUOMAA:** Kun irrotat letkua suodatinkotelosta tai liität sitä siihen, käännä holkkia samalla, kun pidät letkua, jotta letku ei kierry holkin mukana.

► **Kuva9:** 1. Säiliö / allas 2. Imuletkusarja 3. Vesiletkuliitin 4. Letku 5. Suodatinkotelo 6. Korkeapainepesurin imuaukko 7. Letkuside 8. Holkki

**▲HUOMIO:** Kun liität holkkia suodatinkoteloon, varo, että et satuta kättäsi letkusiteeseen.

**HUOMAUTUS:** Käytä aina Makitan imuletkusarjaa.

**HUOMAUTUS:** Pidä aina 1 m (3,28 ft) tai alhaisempi korkeus korkeapainepesurin imuaukon ja vedenpinnan välillä. Muussa tapauksessa korkeapainepesuri ei kykene imemään vettä pumppuun.

Ime vettä letkuun irrottamalla suutin suihkupistoolista ja käynnistämällä korkeapainepesuri liipaisinkytkimen ollessa painettuna. Kun vettä virtaa tasaisesti suihkupistoolista, vapauta liipaisinkytkin ja kiinnitä haluamaasi käyttötarkoitukseen soveltuva suutin.

► **Kuva10:** 1. Suihkupistooli

**HUOMAA:** Jos vettä ei virtaa suihkupistoolista, irrota imuletkusarja ja upota se veteen. Tämän jälkeen liitä se uudelleen korkeapainepesuriin.

► **Kuva11:** 1. Imuletkusarja

## Säiliön käyttäminen vesisäiliönä

Korkeapainepesurin mukana toimitettua säiliötä (vaihtelee maakohtaisesti) voi käyttää vesisäiliönä.

1. Tyhjennä säiliö ja täytä se vedellä.
- **Kuva12:** 1. Veden maksimimääräviiva

**HUOMAUTUS:** Älä lisää vettä yli veden maksimimääräviivan.

**HUOMAUTUS:** Säiliön kansi ei ole tiivistetty. Varo veden läikkymistä, kun kannat säiliötä.

2. Irrota suodatinkotelo imuletkusarjan letkusta.
- **Kuva13:** 1. Letku 2. Suodatinkotelo
3. Irrota vedensyöttöliittimen tulppa ja vedä imuletku-sarjan liittimen läpi kuvan mukaisesti.
- **Kuva14:** 1. Tulppa 2. Tulpan pidike  
3. Vedensyöttöliitin 4. Imuletkusarja

**HUOMAA:** Vedensyöttöliittimen tulpan voi asettaa tulpan pidikkeeseen.

4. Irrota vesiletkuliitin korkeapainepesurin imuaukosta. Tämän jälkeen yhdistä suodatinkotelo imuaukoon ja sitten letku suodatinkoteloon.
- **Kuva15:** 1. Korkeapainepesurin imuaukko  
2. Suodatinkotelo 3. Vesiletkuliitin 4. Letku
5. Aseta korkeapainepesuri säiliöön niin, että säiliön kannen kiinnikkeet pitävät pesurin paikallaan.
- **Kuva16:** 1. Korkeapainepesuri 2. Kansi 3. Ilmareikä

**HUOMAUTUS:** Käsittele säiliötä huolellisesti sitä kannettaessa. Säiliön kantaminen yhdessä korkeapainepesurin ja sen lisävarusteiden kanssa tai vedellä täytettynä voi kannettavan painon suuruuden takia johtaa onnettomuuteen tai henkilövahinkoon.

**HUOMAUTUS:** Älä heiluta tai käännä säiliötä tai kallista sitä liikaa, kun kannat sitä. Se voi aiheuttaa

- veden roiskumista ulos
- kannen päällä olevan korkeapainepesurin putoamisen säiliöstä
- säiliön pyörien ullaavuuden heikkenemistä.

**HUOMAUTUS:** Kun kannat säiliötä kahvasta, vettä voi roiskua ulos, jos sitä on säiliössä runsaasti.

**HUOMAUTUS:** Vettä voi tulla ulos ilmarestästä, jos sisällä oleva vesi saavuttaa ilmarestä, kun säiliötä kallistetaan.

**HUOMAUTUS:** Älä astu säiliön päälle. Sen kansi voi rikkoutua.

**HUOMAUTUS:** Älä jätä säiliöön vettä seisomaan pitkäksi aikaa. Se voi johtaa säiliön vahingoittumiseen ja vesivuotoihin.

Tee seuraavat toimet käytön jälkeen:

1. Poista tyhjennysaukon tulppa ja laske vesi ulos.
- **Kuva17:** 1. Tyhjennysaukko
2. Pyyhi kosteus pois säiliön sisältä liinalla ja kuivaa säiliö sitten huolellisesti.

**HUOMAUTUS:** Älä varastoi korkeapainepesuria ja sen lisävarusteita märkään säiliöön. Kosteus voi aiheuttaa toimintahäiriöitä ja ruostumista.

## KOKOONPANO

**▲HUOMIO:** Varmista aina ennen mitään työkä-lulle tehtäviä toimenpiteitä, että se on sammutettu ja akku irrotettu.

### Korkeapaineletkun liitäntä

Liitä korkeapaineletku poistoaukkoon (ruiskumerkintä). Kierrä korkeapaineletkun mutteria myötäpäivään samalla kun kierrät sitä poistoaukon ruuvikierteisiin.

► **Kuva18:** 1. Poistoaukko 2. Mutteri

**▲HUOMIO:** Varmista, että korkeapaineletku on kiinnitetty luotettavasti paikalleen. Löysä liitäntä voi singota korkeapaineletkun pois paikaltaan aiheuttaen henkilövahinkoja.

### Suihkupistoolin kiinnitys

Liitä korkeapaineletku suihkupistoolin imuaukkoon. Kierrä korkeapaineletkun mutteria myötäpäivään samalla kun kierrät sitä imuaukon ruuvikierteisiin.

► **Kuva19:** 1. Imuaukko 2. Mutteri

**▲HUOMIO:** Varmista, että korkeapaineletku on kiinnitetty luotettavasti paikalleen. Löysä liitäntä voi singota korkeapaineletkun pois paikaltaan aiheuttaen henkilövahinkoja.

### Liittäminen vesihanaan

**▲HUOMIO:** Käytä aina paineenkestävää, halkaisijaltaan vähintään 13 mm:n vesiletkua ja liitä se vesihanaan sopivia liittimiä käyttämällä. Muussa tapauksessa vesiletku ja/tai liitin voi vaurioitua ja aiheuttaa henkilövahingon.

**HUOMAUTUS:** Käytä paineenkestävää, ja niin lyhyttä vesiletkua kuin mahdollista. Imuveden määrän tulisi olla suurempi kuin pumpun maksimisyöttötilavuus.

**HUOMAUTUS:** Jos liität letkun vesijohtoverk-koon, käytä liitännässä paikallisia määräyksiä noudattavaa takaiskuventtiiliä.

Valmistele paineenkestävä vesiletku. Kiinnitä liitäntäholkki vesiletkun toiseen päähän ja liitä toinen pää vesihanaan seuraavalla tavalla.

1. Irrota liitäntäholkkin mutteri ja kierrä paineenkestävä vesiletku mutterin läpi. Liitä letkun toinen pää liitäntäholkkiin ja kiristä mutteri tämän jälkeen.

- **Kuva20:** 1. Paineenkestävä vesiletku  
2. Liitäntäholkkin mutteri 3. Liitäntäholkki

**HUOMAA:** Jos haluat liittää paineenkestävän vesiletkun vesihanaan käyttämällä liitäntäholkkia, kiinnitä sen toinen pää letkun toiseen päähän.

2. Liitä paineenkestävä vesiletku vesihanaan. Käytä tarkoitukseen soveltuvaa liittintä, kuten letkusidettä tai hanaliittintä letkun päähän lukitsemiseksi vesihanaan.

- **Kuva21:** 1. Letkuside 2. Hanaliitin  
3. Paineenkestävä vesiletku

**HUOMAA:** Liitäntä riippuu liitettävän vesihanan muodosta. Valmistele tarkoitukseen soveltuva kaupallinen liitin.

3. Kiinnitä vesiletkun liitin imuaukkoon (vesihana-merkintä) ja tämän jälkeen liitä liitäntäholkki.
- **Kuva22:** 1. Liitäntäholkki 2. Vesiletkuliitin  
3. Korkeapainepesurin imuaukko

## Suuttimen kiinnitys / irrotus

**HUOMIO:** Lukitse suihkupistoolin liipaisinkytkin aina suuttimen kiinnityksen/irrottamisen aikana.

Liitä suuttimen pää suihkupistoolin uraan ja kierrä sitä nuolen osoittamaan suuntaan kuvan osoittamalla tavalla. Irrota suutin kiertämällä sitä vastapäiseen suuntaan samalla, kun työnnyt sitä suihkupistoolia kohti.

► **Kuva23:** 1. Suihkupistooli 2. Aukko 3. Suuttimen pää

## Vahtosuuttimen liitäntä

### Lisävaruste

**HUOMIO:** Lukitse suihkupistoolin liipaisinkytkin aina suuttimen kiinnityksen/irrottamisen aikana.

Valmistele pesuaine ennen vahtosuuttimen käyttöä.

1. Irrota suutin säiliöstä kiertämällä suutinta vastapäivään. Kiinnitä suutin suihkupistooliin.
- **Kuva24:** 1. Suutin 2. Suihkupistooli
2. Valuta pesuaine säiliöön ja asenna se suuttimeen.
- **Kuva25:** 1. Säiliö

**HUOMAUTUS:** Käytä aina mietoa pesuainetta. Happoinen tai alkaalinen pesuaine voi aiheuttaa säiliön tai suuttimen vaurioitumisen.

## Muovisen kantolaukun asettaminen säiliöön

### Lisävaruste

Voit asettaa Makitan muovisen kantolaukun säiliön päälle. Aseta muovinen kantolaukku säiliöön niin, että säiliön kannen kiinnikkeet pitävät sen paikallaan.

► **Kuva26:** 1. Muovinen kantolaukku 2. Kiinnityskohta

## Säiliön asettaminen kärryyn

### Lisävaruste

Kun siirrät säiliötä Makita-kärryllä, aseta säiliö paikalleen. Varmista, että säiliön pohja sopii kärryn alustaan.

► **Kuva27:** 1. Säiliön alapinta 2. Kärryn alusta

**HUOMIO:** Kun käytät kärryä, älä siirrä säiliötä vedellä täytettynä. Kun teet tämän, tasapaino voi järkkäytyä, mikä saa aikaan henkilökohtaisen vahingon ja voi saada säiliön muodon muuttumaan, mikä aiheuttaa vesivuodon.

# TYÖSKENTELY

**VAROITUS:** Älä koskettele vesisuihkua tai suuntaa sitä itseäsi tai sivullisia kohti. Vesisuihku voi olla vaarallinen ja aiheuttaa vahinkoa sinulle ja sivullisille.

**VAROITUS:** Kun suuntaat vesisuihkua, älä koskaan pidä puhdistettavasta kohteesta kiinni käsin, tai aseta käsiäsi tai jalkojasi vesisuihkun läheisyyteen.

**HUOMIO:** Pysy valpapaana roiskuvan vesisuihkun ja lentävien kohteiden osalta. Pidä suutin aina vähintään 30 cm:n etäisyydellä kohteesta.

**HUOMIO:** Älä käytä korkeapainepesuria ilman vettä yli yhden minuutin ajan.

**HUOMIO:** Älä käytä korkeapainepesuria pitkiä aikoja kerrallaan. Muussa tapauksessa voi seurauksena olla laitteen ylikuumentuminen tai mahdollinen tulipalo. Pitkäaikainen käyttö voi myös aiheuttaa tärinästä aiheutuvia terveyshaittoja.

**HUOMIO:** Tarkkaile tuulen suuntaa. Jos pesuainetta joutuu silmiisi tai suuhun, huuhtele ne välittömästi puhtaan veden alla ja ota tarvittaessa yhteys lääkäriin.

**HUOMAUTUS:** Älä käytä korkeapainepesuria yhtäjaksoisesti yli 1 tunnin ajan. Pidä samanpituisen tauko 1 tunnin yhtäjaksoisen työskentelyn jälkeen.

**HUOMAUTUS:** Suojaa korkeapainepesurin mekaanisia osia käyttämällä aina alle 40 °C:n lämpöistä vettä.

1. Kytke korkeapaineletkun toinen pää suihkupistooliin ja toinen pää korkeapainepesuriin.
2. Yhdistä korkeapainepesuri vesihanaan vesiletkulla. Avaa sitten vesihana.  
► **Kuva28**
3. Avaa kansi, asenna akkupaketit korkeapainepesuriin ja lukitse sitten kansi.  
► **Kuva29:** 1. Akkupaketti 2. Kansi
4. Käännä virtakytkin haluamasi tilan asentoon.  
► **Kuva30:** 1. Matalapainetila 2. OFF (pois päältä) -asento 3. Korkeapainetila
5. Käynnistä vesisuihku vapauttamalla pysäytin ja painamalla liipaisinkytkintä. Vettä suihkutetaan niin kauan kun liipaisinkytkintä pidetään painettuna.  
► **Kuva31:** 1. Pysäytin

**HUOMIO:** Pidä suihkupistoolista luotettavasti ja lujasti kiinni. Suihkupistooli ponnahtaa takaisin painaessasi liipaisinkytkintä.

**HUOMIO:** Pidä aina kiinni sekä suihkupistoolin kahvasta että varresta, kun suihkutat vettä.

**HUOMAUTUS:** Varo, ettet vedä suihkupistoolia voimakkaasti käytön aikana. Tämä voi aiheuttaa korkeapainepesurin kaatumisen.

Kun keskeytät käytön, voit asettaa suihkupistoolin tilapäisesti kuvan mukaisesti.

► **Kuva32**

## Käytön jälkeen

**⚠HUOMIO:** Tee korkeapainepesurin käytön jälkeen aina tässä oppaassa kuvatut toimenpiteet. Suihkupistooliin tai korkeapainepesurin jäännöspaine voi aiheuttaa henkilövahinkoja tai pumpun sisäpuoleen kohdistuvia vaurioita.

1. Sammuta korkeapainepesuri.
2. Sulje vesihana ja irrota vesiletku korkeapainepesurista.  
► **Kuva33**
3. Kytke korkeapainepesuri uudelleen päälle.
4. Paina liipaisinkytkintä niin kauan, kunnes korkeapainepesurissa jäljelläoleva vesi poistuu täysin laitteesta.  
► **Kuva34**

**HUOMAUTUS:** Älä käytä moottoria yli 1 minuutin ajan.

5. Sammuta korkeapainepesuri ja poista akkupaketti siitä.  
► **Kuva35:** 1. Virtakytkin 2. Akkupaketti
6. Irrota korkeapaineletku suihkupistoolista ja korkeapainepesurista.  
► **Kuva36:** 1. Suihkupistooli 2. Korkeapaineletku 3. Korkeapainepesuri

**HUOMAUTUS:** Estä korkeapaineletkuun kohdistuvat mahdolliset vauriot poistamalla jäljelläoleva vesi ennen letkun asettamista säilytykseen.

## SÄILYTTÄMINEN JA HUOLTO

**⚠HUOMIO:** Varmista aina ennen tarkastusta tai huoltoa, että laite on sammutettu ja akkupaketti irrotettu.

**HUOMAUTUS:** Älä koskaan käytä bensiiniä, ohenteita, alkoholia tai tms. aineita. Muutoin pinta voi halkeilla tai sen värit ja muoto voivat muuttua. Muutoin laitteeseen voi tulla värjäytymiä, muodon vääristymiä tai halkeamia.

Tuotteen TURVALLISUUDEN ja LUOTETTAVUUDEN takaamiseksi korjaukset, muut huoltotyöt ja säädöt on teetettävä Makitan valtuutetussa huoltopisteessä Makitan varaosia käyttäen.

## Puhdistus ilman suutinta

Käytä puhdistusneulaa lian poistamiseen tukkeutuneesta suuttimesta.

- **Kuva37:** 1. Puhdistusneula

**HUOMAUTUS:** Älä poista likaa tai jäämiä voimakkein. Muussa tapauksessa voi seurauksena olla henkilövahinkoja, tai suihkuaukon muuttuneen suihkukulman tai huonon suorituskyvyn johdosta tapahtuva vahinko.

## Suodattimen puhdistaminen

Irrota vesiletkuliitin, puhdista lika ja jäämät suodattimen sisältä.

- **Kuva38:** 1. Vesiletkuliitin 2. Suodatin 3. Tiivisterengas

Käytettäessä imuletkusarjaa (lisävaruste), irrota suodatin suodatinkotelosta ja puhdista lika ja jäämät.

- **Kuva39:** 1. Suodatin 2. Suodatinkotelo

**HUOMAA:** Puhdista suodatin säännöllisesti parhaan mahdollisen suorituskyvyn ylläpitämiseksi.

## Säilytys

**⚠HUOMIO:** Säilytä laitetta aina sisätiloissa, missä lämpötila ei laske alle jäätympisteen. Jos korkeapainepesuri jäätyy ja siihen tulee käyttöhäiriöitä, ota yhteys paikalliseen huoltoilikkeeseen korjausta varten.

Varastoi lisävarusteet korkeapainepesun sivulokeroon.

### Varastointiesimerkki

- **Kuva40:** 1. Korkeapaineletku 2. Suutin 3. Suihkupistooli

Jos käyttämäsi mallin mukana on toimitettu säiliö, varastoi korkeapainepesuri ja lisävarusteet siihen.

### Varastointiesimerkki

- **Kuva41:** 1. Korkeapainepesuri 2. Suutin 3. Suihkupistooli 4. Pesuharja 5. Vaahtosuutin 6. Korkeapaineletku 7. Laturi 8. Imuletkusarja 9. Paineenkestävä vesiletku

**HUOMAA:** Osa kuvissa olevista lisävarusteista on valinnaisia lisävarusteita joissakin maissa.

# VIANMÄÄRITYS

Tarkista laite ensin itse, ennen kuin viet sen korjattavaksi. Jos ongelmaan ei löydy ratkaisua käyttöoppaasta, älä kuitenkaan yritä purkaa työkalua osiin. Vie ota sen sijaan yhteyttä Makita-huoltoliikkeeseen. Käytä korjaamiseen aina alkuperäisiä Makita-varaosia.

Epänormaali tila	Todennäköinen syy (toimintahäiriö)	Korjaus
Pesuri ei käynnisty.	Ei virransyöttöä	Asenna ladatut akkupaketit.
	Kytintä ei ole kierretty.	Kierrä kytkin päälle.
	Pumpussa on jäännöspainetta	Paina liipaisinkytkintä.
	Akku tai virtapiiri on vaurioitunut	Pyydä valtuutettua huoltoliikettä suorittamaan korjaus.
Vesisuihkua ei ole / huono vesisuihku	Vedensyöttöä ei ole	Varmista, että vesihana on auki. Käytettäessä imuletkusarjaa, ime vettä letkuun.
	Huono vedensyöttö	Avaa vesihana.
	Huono vedensyöttöliitäntä	Tarkista korkeapainepesurin ja vesihanan välinen liitäntä.
	Letku, suodatin tai suutin tukossa	Puhdista tukkeutunut letku, suodatin tai suutin.
	Ilma estää veden virtauksen.	Sammuta virta kytkimellä ja käynnistä uudelleen samalla kun painat liipaisinkytkintä.
	Suutin viallinen tai kulunut	Vaihda suutin.
	Pumpussa tai venttiilissä toimintahäiriötä	Pyydä valtuutettua huoltoliikettä suorittamaan korjaus.
Epätasainen vesisuihku	Suutin tukossa	Puhdista suuttimen syöttöreikä puhdistusneulaa käyttämällä.
	Huono veden imutoiminto	Tarkasta, onko vesiletkun ja vesihanan välillä vuotoja tai tukoksia. Avaa vesihana.
	Vesi on liian kuumaa.	Syötä kylmempää vettä.
	Venttiilissä toimintahäiriö	Pyydä valtuutettua huoltoliikettä suorittamaan korjaus.
Epänormaali ääni	Vesi on liian kuumaa.	Syötä kylmempää vettä.
	Pumpussa on ilmaa.	Pyydä valtuutettua huoltoliikettä suorittamaan korjaus.
Vesivuoto	Huono liitäntä	Tarkista korkeapainepesurin ja suihkupistoolin sekä vesihanan väliset liitännät.
	Tiivisteet kuluneet	Pyydä valtuutettua huoltoliikettä suorittamaan korjaus.

## LISÄVARUSTEET

**▲HUOMIO:** Seuraavia lisävarusteita tai laitteita suositellaan käytettäväksi tässä ohjeessa kuvatun Makita-työkalun kanssa. Muiden lisävarusteiden tai laitteiden käyttö voi aiheuttaa henkilövahinkoja. Käytä lisävarusteita ja -laitteita vain niiden käyttötarkoituksen mukaisesti.

Jos tarvitset apua tai yksityiskohtaisempia tietoja seuraavista lisävarusteista, ota yhteys paikalliseen Makitan huoltoon.

**HUOMAA:** Jotkin luettelossa mainitut varusteet voivat sisältyä työkalun toimitukseen vakiovarusteina. Ne voivat vaihdella maittain.

## Säädettävätehoisen suihkusuutin

► Kuva42

Suihkupainetta voidaan säätää suutinta kiertämällä.

**▲HUOMIO:** Suihkupaineen säätämisen aikana, älä kierrä suutinta samalla kun vedät sitä suihkupistoolia kohti. Suutin voi irrota suihkupistoolista ja aiheuttaa henkilövahingon.

## Vaahtosuutin

**Maakohtainen**

► Kuva43

Puhdistusaine suihkutetaan vaahtomuodossa.

## Pesuharja (pitkä)

► Kuva44

Suutin on varustettu harjalla. Hyödyllinen lian puhdistamiseen harjaa käyttämällä.



## Imuletkusarja

### ► Kuva45

Vaihda vesiletku tähän sarjaan veden syöttämiseksi säiliöstä tai altaasta.

## Pyörivä pesuharja

### ► Kuva46

Kolme sisäpuolista harjaa pyörii hitaasti vesisuihkun aikana. Soveltuu kevyen lian puhdistamiseen ulkoseinistä, auton rungosta, kylpyammeesta jne.

## Jatkoputki

### ► Kuva47

Suihkupistoolin pidentämiseen tarkoitetut putket. Saatavana kolme eri pituutta käytettävien putkien määrää muuttamalla.

## Suihkusuutin rungon alapuolelle

### ► Kuva48

Ylimääräinen pitkä suihkuputki kulmasuuttimella. Soveltuu parhaiten vaikeasti käsiteltäville paikoille, kuten auton rungon alle ja räystäskouruille.

**▲HUOMIO:** Älä käytä rungon alapuolelle tarkoitettua suihkusuutinta jatkoputkien kanssa.

## Roiskesuoja

### ► Kuva49

Estää takaroiskeet puhdistettaessa kulkimia spiraalisuihkusuutinta käyttämällä.

## Saranaliitos

### ► Kuva50

Estää korkeapaineletkun vääntymisen.

## Liitäntäkappale

### ► Kuva51

Kappale muiden mallien suuttimien liittämiseen.

Jotkut lisävarusteena saatavat suuttimet vaativat liitäntäkappaleen (lisävaruste) käyttöä suihkupistoolin liitäntää varten. Kiinnitä liitäntäkappale suihkupistooliin samalla tavalla kuin suuttimen kiinnityksessä.

► **Kuva52:** 1. Suutin 2. Liitäntäkappale  
3. Suihkupistooli

**HUOMAA:** Liitäntäkappaletta tarvitaan käytettäessä toiseen malliin sisältyviä suuttimia, kuten mallit HW112 tai HW121.

## Putken puhdistussarja (10 m / 15 m)

### ► Kuva53

Putkistojen ja syöksyputkien puhdistamiseen.

**▲HUOMIO:** Kiinnitä erityistä huomiota vesisuihkuun käytettäessä putken puhdistussarjaa. Erittäin voimakas vesisuihku suuntautuu taaksepäin. Aseta letkun pää putkeen ennen liipaisimen painamista.

## Korkeapainejetkoletku

(5 m / 8 m / 10 m)

### ► Kuva54

Jetkoletku liitettäväksi korkeapainepesurin suihkupistooliin.

## BRĪDINĀJUMS

- Ierīces nedrīkst lietot bērni. Bērni ir jāuzrauga, lai nodrošinātu, ka viņi nerotaļājas ar ierīci.
- Šo ierīci nedrīkst lietot cilvēki (tostarp bērni) ar samazinātām fiziskām, maņu vai garīgām spējām vai cilvēki bez pieredzes un zināšanām.
- Šī ierīce ir paredzēta lietošanai ar mazgāšanas līdzekli, ko piegādājis vai ieteicis tās ražotājs. Citu mazgāšanas līdzekļu vai ķīmikāliju lietošana var negatīvi ietekmēt ierīces drošību.
- Nepareizi izmantotas augstspiediena strūkļas var nodarīt kaitējumu. Strūklu nedrīkst vērst pret cilvēkiem, iedarbinātām elektroierīcēm vai pašu augstspiediena mazgāšanas ierīci.
- Neizmantojiet ierīci cilvēku klātbūtnē, izņemot gadījumus, kuros cilvēki valkā aizsargapģērbu.
- Nevērsiet strūklu tieši pret sevi vai citiem cilvēkiem, lai nomazgātu apģērbu vai apavus.
- Sprādzienbīstamība — neizsmidziniet ugunsnedrošus šķīdumus.
- Augstspiediena mazgāšanas ierīces nedrīkst lietot bērni vai neapmācīti cilvēki.
- Augstspiediena šļūtenes, stiprinājumi vai savienojumi ir svarīgi ierīces drošībai. Izmantojiet tikai ražotāja ieteiktās šļūtenes, stiprinājumus un savienojumus.
- Lai garantētu ierīces drošību, izmantojiet tikai ražotāja izgatavotās oriģinālās rezerves daļas vai ražotāja ieteiktās rezerves daļas.
- Pirms ierīces regulēšanas vienmēr pārbaudiet, vai tā ir izslēgta un akumulatoru kasetnes izņemtas.
- Neizmantojiet ierīci, ja svarīgas tās detaļas ir bojātas, piem., drošības aprīkojums, augstspiediena šļūtenes un izsmidzināšanas pistole.
- Kad atstājat ierīci bez uzraudzības, vienmēr izņemiet akumulatoru kasetnes.
- Ievērojiet vietējā ūdens piegādes uzņēmuma noteiktās prasības.
- Eiropas valstīm:  
saskaņā ar EN12729 (BA) iekārtu var pievienot arī pie dzeramā ūdens apgādes ūdensvada, ja ūdens pievades šļūtenē ir uzstādīts vārsts atplūdes novēršanai un noteces ierīce.

# SPECIFIKĀCIJAS

<b>Modelis:</b>		<b>DHW080</b>
Maks. padeves apjoms <sup>*1</sup>		6,3 l/min
Ūdens caurplūde <sup>*2</sup>	Augsta spiediena režīms	5,5 l/min
	Zema spiediena režīms	4,0 l/min
Maks. atļaujamais spiediens		8,0 MPa
Darba spiediens <sup>*2</sup>	Augsta spiediena režīms	5,5 MPa
	Zema spiediena režīms	3,0 MPa
Maks. padeves spiediens		1,0 MPa
Maks. padeves temperatūra		40 °C
Maks. sūkšanas augstums		1 m
Nominālais spriegums		Līdzstrāva 36 V
Izmēri (G × P × A)		438 mm x 218 mm x 269 mm
Svars		7,1 - 7,7 kg

\*1: izmantojot mazgāšanas suku.

\*2: izmantojot izsmidzināšanas uzgali.

- Nepārtrauktās izpētes un izstrādes programmas dēļ šeit uzrādītās specifikācijas var tikt mainītas bez brīdinājuma.
- Atkarībā no valsts specifikācijas var atšķirties.
- Svars var būt atšķirīgs atkarībā no papildierīces(-ēm), tostarp akumulatora kasetnes. Tabulā ir attēlota vieglākā un smagākā kombinācija atbilstoši EPTA procedūrai 01/2014.

## Piemērotā akumulatora kasetne un lādētājs

Akumulatora kasetne	BL1815N / BL1820 / BL1820B / BL1830 / BL1830B / BL1840 / BL1840B / BL1850 / BL1850B / BL1860B
Lādētājs	DC18RC / DC18RD / DC18RE / DC18SD / DC18SE / DC18SF / DC18SH

- Daži no iepriekš norādītajiem lādētājiem un akumulatora kasetnēm var nebūt pieejami atkarībā no jūsu mītnes reģiona.

**BRĪDINĀJUMS:** Izmantojiet vienīgi iepriekš norādītās akumulatora kasetnes un lādētājus. Cita tipa akumulatora kasetņu un lādētāju izmantošana var radīt traumu un/vai aizdegšanās risku.

## Simboli

Zemāk ir attēloti simboli, kas attiecas uz iekārtu. Pirms darbarīka izmantošanas pārliecinieties, vai pareizi izprotat to nozīmi.



Izlasiet lietošanas rokasgrāmatu.



Esiet īpaši rūpīgs un uzmanīgs.



Ni-MH  
Li-ion

Tikai ES valstīm  
Neizmetiet elektroiekārtas vai akumulatoru māsasaimniecības atkritumos!  
Saskaņā ar Eiropas direktīvu par elektrisko un elektronisko iekārtu atkritumiem, kā arī par baterijām un akumulatoriem, un bateriju un akumulatoru atkritumiem un to īstenošanu saskaņā ar valsts likumdošanu lietotais elektriskais aprīkojums, baterijas un akumulators kalpošanas laika beigās jāsavāc atsevišķi un jānogādā otrreizējai pārstrādei vidi saudzējošā veidā.



Nepievienojiet dzeramā ūdens krānam.



Nevērsiet strūklu tieši pret cilvēkiem, tostarp sevi, dzīvniekiem un iedarbinātām elektroierīcēm.

## Paredzētā lietošana

Šis darbarīks ir paredzēts grūti notīrāmu netīrumu tīrīšanai ar ūdens strūklu. Šis darbarīks ir paredzēts lietošanai māsasaimniecībā.

## Trokšņa līmenis

Tipiskais A svērtais trokšņa līmenis noteikts saskaņā ar EN60335-2-79:

Skaņas spiediena līmenis ( $L_{pA}$ ): 70,9 dB (A)

Mainīgums (K): 3,6 dB (A)

Darbības laikā trokšņa līmenis var pārsniegt 80 dB (A).

**PIEZĪME:** Paziņotā trokšņa emisijas vērtība noteikta atbilstoši standarta pārbaudes metodei, un to var izmantot, lai salīdzinātu vienu darbarīku ar citu.

**PIEZĪME:** Paziņoto trokšņa emisijas vērtību arī var izmantot iedarbības sākotnējā novērtējumā.

**▲BRĪDINĀJUMS:** Lietojiet ausu aizsargus.

**▲BRĪDINĀJUMS:** Trokšņa emisija patiesos darba apstākļos var atšķirties no paziņotās vērtības atkarībā no darbarīka izmantošanas veida un jo īpaši atkarībā no apstrādājamā materiāla veida.

**▲BRĪDINĀJUMS:** Lai aizsargātu lietotāju, nosakiet drošības pasākumus, kas pamatoti ar iedarbību reālos darba apstākļos (ņemot vērā visus ekspluatācijas cikla posmus, piemēram, laiku, kamēr darbarīks ir izslēgts un kad darbojas tukšgaitā, kā arī palaides laiku).

## Vibrācija

Vibrācijas kopējā vērtība (trīsasu vektora summa) noteikta atbilstoši EN60335-2-79:

Vibrācijas izmēte ( $a_h$ ): 2,5 m/s<sup>2</sup> vai mazāk  
Mainīgums (K): 1,5 m/s<sup>2</sup>

**PIEZĪME:** Paziņotā kopējā vibrācijas vērtība noteikta atbilstoši standarta pārbaudes metodei, un to var izmantot, lai salīdzinātu vienu darbarīku ar citu.

**PIEZĪME:** Paziņoto kopējo vibrācijas vērtību arī var izmantot iedarbības sākotnējā novērtējumā.

**▲BRĪDINĀJUMS:** Vibrācijas emisija patiesos darba apstākļos var atšķirties no paziņotās vērtības atkarībā no darbarīka izmantošanas veida un jo īpaši atkarībā no apstrādājamā materiāla veida.

**▲BRĪDINĀJUMS:** Lai aizsargātu lietotāju, nosakiet drošības pasākumus, kas pamatoti ar iedarbību reālos darba apstākļos (ņemot vērā visus ekspluatācijas cikla posmus, piemēram, laiku, kamēr darbarīks ir izslēgts un kad darbojas tukšgaitā, kā arī palaides laiku).

## EK atbilstības deklarācija

### Tikai Eiropas valstīm

EK atbilstības deklarācija šajā lietošanas rokasgrāmatā ir iekļauta kā A pielikums.

## SVARĪGI DROŠĪBAS BRĪDINĀJUMI

**▲BRĪDINĀJUMS:** Izlasiet visus drošības brīdinājumus un visus norādījumus. Brīdinājumu un norādījumu neievērošanas gadījumā var rasties elektriskās strāvas trieciens, ugunsgrēks un/vai nopietnas traumas.

## Glabājiet visus brīdinājumus un norādījumus, lai varētu tajos ieskatīties turpmāk.

**BRĪDINĀJUMS!** Izmantojot šo ierīci, vienmēr jāievēro galvenie piesardzības pasākumi, tostarp šādi:

### Drošība darba zonā

1. Raugieties, lai darba zonā nebūtu cilvēku.
2. Nesniedzieties pārāk tālu un nestāviet uz nestabilas pamatnes. Vienmēr stingri stāviet uz piemērota pamata un saglabājiet līdzsvaru.
3. Augstspiediena mazgāšanas ierīces korpusu vienmēr novietojiet uz līdzenas un stabilas virsmas. Novietojiet to vietā, kur varētu tecēt vai uzkrāties izšļāktais ūdens.
4. Pirms mazgāšanas pārbaudiet apkārtni un tīrāmos priekšmetus. Augstspiediena strūkļa var noskrāpēt krāsu vai citus virsmas apdares elementus, tostarp toksiskas ķīmikālijas. Vajadzības gadījumā veiciet profilaktiskus pasākumus.
5. Uzmanieties un neaizķerieties aiz augstspiediena mazgāšanas ierīces šļūtenes. Darba laikā vienmēr paturiet prātā šļūtenes novietojumu.
6. Lietošanas laikā no augstspiediena mazgāšanas ierīces apakšdaļas izteces nedaudz ūdens. Novietojiet augstspiediena mazgāšanas ierīci vietās, kuras nevēlaties samitrināt.

### Personiskā drošība

1. Lai aizsargātu sevi un priekšmetus no strūklas iedarbības, lietotājiem jāvalkā piemērots apģērbs, piemēram, aizsargapavi, aizsargcimdi, aizsargķiveres ar sejas aizsegu, dzirdes aizsardzības līdzekļi utt.
  2. Neizmantojiet augstspiediena mazgāšanas ierīci cilvēku klātbūtnē, izņemot gadījumus, kuros cilvēki valkā aizsargapģērbus.
  3. Lietojot ierīci bērnu tuvumā, lai samazinātu miesas bojājumu risku, viņi ir stingri jāuzrauga.
  4. Ja tiek veidots savienojums ar dzeramā ūdens sistēmu, ir jānodrošina sistēmas aizsardzība pret atplūdi.
  5. Ūdens, kas izplūdis caur pretvārstu, nav dzerams.
- ### Elektrodrošība
1. Nepieskarieties akumulatoru kasetnēm ar mitrām rokām.
  2. Neizmantojiet ierīci, ja ir bojātas svarīgas tās detaļas, piem., drošības aprikojums, augstspiediena šļūtenes vai izsmidzināšanas pistole.

### Mehanizētā darbarīka lietošana un apkope

1. Pirms ierīces lietošanas izlasiet visus norādījumus.
2. Izprotiet, kā ātri apturēt augstspiediena mazgāšanas ierīces darbību un samazināt spiedienu. Rūpīgi izpētiet vadības pogu lietošanu.
3. Nepareizi izmantotas augstspiediena strūklas var nodarīt kaitējumu. Strūklu nedrīkst vērst pret cilvēkiem, iedarbinātām elektroierīcēm vai pašu augstspiediena mazgāšanas ierīci.
4. Šo ierīci nedrīkst lietot cilvēki (tostarp bērni) ar samazinātām fiziskām, maņu vai garīgām spējām vai cilvēki bez pieredzes un zināšanām.
5. Bērni ir jāuzrauga, lai nepieļautu, ka viņi rotālās ar ierīci.
6. Neizsmidziniet ugunsnedrošus un/vai toksiskus šķīdumus. Tā var izraisīt sprādzienu, saindēšanos vai sabojāt ierīci.
7. Nevērsiet strūklu tieši pret sevi vai citiem cilvēkiem, lai nomazgātu apģērbus vai apavus.

8. Augstspiediena šļūtenes, stiprinājumi vai savienojumi ir svarīgi ierīces drošībai. Izmantojiet tikai ražotāja ieteiktās šļūtenes, stiprinājumus un savienojumus.
  9. Mainot piederumus, ievērojiet norādījumus.
  10. Uzturiet rokturus sausus un tīrus, raugieties, lai uz tiem nebūtu eļļas vai smērvielu.
  11. Esiet modri — strādājiet uzmanīgi.
  12. Nelietojiet ierīci, ja esat noguris vai atrodoties alkohola vai narkotisku vielu ietekmē.
  13. Nedarbiniet augstspiediena mazgāšanas ierīci bez ūdens ilgāk par minūti. Tā sabojāsiet motoru, izraisot darbības traucējumus.
  14. Atstājot augstspiediena mazgāšanas ierīci nepieskatītu, vienmēr izslēdziet elektrības un ūdens padevi.
  15. Uzmanieties no atsietena. Augstspiediena strūkļai izšļācoties no sprauslas, izsmidzināšanas pistole rada atsieteni. Lai novērstu nejašu savainošanu, turiet izsmidzināšanas pistoli stingri.
  16. Pirms lietošanas pārbaudiet, vai ierīces daļas nav bojātas vai nodilušas. Tāpat pārliecinieties, ka šļūtene ir pievienota pareizi un ka darbības laikā nav noplūžu. Lietojot ierīci ar funkcionāliem bojājumiem, var izraisīt negadījumu.
  17. Šī ierīce ir paredzēta lietošanai ar mazgāšanas līdzekli, ko piegādājis vai ieteicis tās ražotājs. Cītu mazgāšanas līdzekļu vai ķīmikāliju lietošana var negatīvi ietekmēt ierīces drošību.
  18. Nepārvietojiet augstspiediena mazgāšanas ierīci, velkot to aiz šļūtenes. Tā tiks sabojāta šļūtene un savienojuma detaļas, kā arī tas izraisīs īssavienojumu vai darbības traucējumus.
  19. Nenovietojiet uz šļūtenes smagus priekšmetus un nebrauciet tai pāri ar transportlīdzekļiem.
  20. Pirms šļūtenes atvienošanas vienmēr izlaidiet izsmidzināšanas pistolē palikušo spiedienu.
  21. Pievienojot šļūteni ūdensvadam, ievērojiet vietējā ūdensapgādes uzņēmuma norādījumus.
  22. Ja augstspiediena mazgāšanas ierīce nokrīt vai atsitas pret cietu objektu, pārbaudiet, vai tai nav bojājumu vai plaisu. Bojātas augstspiediena mazgāšanas ierīces izmantošana var radīt dūmus, uguni vai izraisīt elektrotriecienu, kas var radīt ievainojumus.
  23. Augstspiediena tīrītāja lietošanas laikā gaisā var veidoties aerosols. Aerosola ieelpošana var būt kaitīga veselībai.
  24. Atkarībā no lietošanas veida augstspiediena mazgāšanu var veikt, izmantojot sprauslas ar aizsargiem, kas ievērojami mazina ūdens bāzes aerosolu rašanos. Taču ne vienmēr ir iespējams izmantot šādu palīg līdzekli. Ja aizsardzībai pret aerosoliem nav iespējams izmantot sprauslas ar aizsargiem, atkarībā no tīrīšanas vides var būt jāizmanto FFP 2 klases (vai līdzvērtīgs) respirators.
  25. Nepieļaujiet nejašu iedarbināšanu. Pirms ierīces pievienošanas akumulatoram, pirms tās pacelšanas vai nešanas pārbaudiet, vai slēdzis ir izslēgšanas pozīcijā. Ierīces nešana ar pirkstu uz slēdža vai ierīces pievienošanas kontaktam, kad slēdzis ir ieslēgšanas pozīcijā, palielina negadījumu rašanās risku.
  26. Pirms ierīces regulēšanas, piederumu maiņas vai novietošanas tās uzglabāšanas vietā atvienojiet akumulatoru no ierīces. Šādi piesardzības pasākumi novērsīs ierīces nejašu ieslēgšanu.
  27. Nepārveidojiet vai nemēģiniet labot ierīci vai akumulatoru veidos, kas nav norādīti ierīces lietošanas un apkopes norādījumos.
  28. **BRĪDINĀJUMS!** Traumas vai ievainojumu risks — nevērsiet ierīces ķēdi pret personām.
- Bezvada darbarīka lietošana un apkope**
1. **Uzlādei izmantojiet tikai ražotāja norādītos lādētājus.** Vienam akumulatoru tipam paredzēta uzlādētāja izmantošana cita tipa akumulatoru uzlādei var radīt aizdegšanās bīstamību.
  2. **Izmantojiet mehanizētos darbarīkus tikai ar paredzētajiem akumulatoriem.** Jebkura cita tipa akumulatoru izmantošana var radīt traumu un aizdegšanās bīstamību.
  3. **Kamēr akumulators netiek izmantots, neturiet to blakus metāla priekšmetiem, piemēram, saspraudēm, monētām, atslēgām, naglām, skrūvēm un citiem nelieliem metāla priekšmetiem, kas var savienot izvadus.** Akumulatora spaiļu īssavienojums var izraisīt apdegumus vai aizdegšanos.
  4. **Nepareizas lietošanas gadījumā no akumulatora var iztect šķidrums, nepieskarieties tam.** Ja nejaši pieskārties šķidrumam, noskalojiet skarto vietu ar ūdeni. Ja šķidrums nokļūst acīs, papildus iepriekš minētajam, vērsieties pie ārsta. No akumulatora iztečujušais šķidrums var izraisīt kairinājumu vai apdegumus.
  5. **Ja akumulatora bloks vai darbarīks ir bojāts vai pārveidots, nelietojiet to.** Bojāti vai pārveidoti akumulatori var darboties nepareizi, izraisot aizdegšanos, sprādzienu vai traumu.
  6. **Akumulatora bloku un darbarīku nepakļaujiet uguns un pārmērīgi augstas temperatūras ietekmei.** Ja akumulatora bloks vai darbarīks tiek pakļauts uguns vai par 130 °C augstākas temperatūras iedarbībai, var notikt sprādziens.
  7. **Izpildiet visus uzlādes norādījumus un neuzlādējiet akumulatora bloku ārpus norādītajos noteiktā temperatūras diapazona.** Nepareiza uzlāde vai temperatūra, kas ir ārpus noteiktā diapazona, var sabojāt akumulatoru un palielināt aizdegšanās draudus.
- Apkope**
1. **Ievērojiet rokasgrāmatā izklāstītos apkopes norādījumus.**
  2. **Lai garantētu ierīces drošību, izmantojiet tikai ražotāja izgatavotās oriģinālās rezerves daļas vai ražotāja ieteiktās rezerves daļas.**
  3. **Uzticiet augstspiediena mazgāšanas ierīces apkopi kvalificētam speciālistam, izmantojiet tikai identiskas rezerves daļas.** Tādējādi augstspiediena mazgāšanas ierīces drošības pakāpe nesamazināsies.
  4. **Ja augstspiediena mazgāšanas ierīce saplīst vai sāk darboties kļūdaini, nekavējoties izslēdziet to un izņemiet akumulatora(-u) kasetni(-es). Sazinieties ar vietējo izplatītāju vai servisa centru.**

## Papildu drošības brīdinājumi

1. Ievērojiet vietējā ūdens piegādes uzņēmuma noteiktās prasības.
2. Nelietojiet darbarīku apstākļos, kad iespējams zibens.
3. Izmantojot darbarīku dubļainā vietā, uz mitras slīpas virsmas vai slidenā vietā, raugieties, lai kājām būtu stabils atbalsts.
4. Centieties nestrādāt grūti apstrādājamā vidē, kur var ātri nogurt.
5. Nemainiet akumulatoru lietū.
6. Negremdējiet darbarīku peļķē.
7. Lietus laikā neatstājiet darbarīku ārpus telpām bez uzraudzības.
8. Ja lietus dēļ pie sūkšanas atveres (ventilācijas atveres) pieļip slapjas lapas vai dubļi, noņemiet tos.
9. Nemazgājiet darbarīku ar augstspiediena ūdens strūklu.
10. Kad mazgājat darbarīku, raugieties, lai ūdens neiekļūtu elektromehānismu nodalījumos, piemēram, akumulatora, motora vai savienojumu nodalījumā.
11. Novietojot darbarīku glabāšanā, izvairieties no tiešiem saules stariem un lietus un novietojiet to vietā, kur nekļūst karsts vai mitrs.
12. Pārbaudes un apkopes darbus veiciet vietā, kur var izvairīties no lietus.
13. Pēc darbarīka lietošanas noīriet netīrumus, pilnībā nožāvējiet darbarīku un tikai tad novietojiet to glabāšanā. Atkarībā no sezonas vai izmantošanas reģiona pastāv kļūdainas darbības risks sasaušanas dēļ.
14. Nesamitriniet akumulatora spaiļes ar šķidrumu, piemēram, ūdeni, vai neiegremdējiet akumulatoru. Neatstājiet akumulatoru lietū, kā arī nelādējiet, neizmantojiet vai neglabājiet akumulatoru mitrā vai slapjā vietā. Ja izvads kļūst mitrs vai akumulatorā iekļūst šķidrums, akumulatorā var rasties īsslēgums un pastāv pārkaršanas, aizdegšanās vai sprādziena risks.
15. Pēc akumulatora izņemšanas no darbarīka vai lādētāja piestipriniet akumulatora vāku akumulatoram un glabājiet to sausā vietā.
16. Nemainiet akumulatoru ar mitrām rokām.

## Papildu drošības brīdinājumi

1. Ievērojiet vietējā ūdens piegādes uzņēmuma noteiktās prasības.
2. Neizmantojiet barošanas avotu ar vadu, piemēram, akumulatora adapteru vai pārnēsājamo barošanas bloku, kopā ar šo ierīci. Šāda barošanas avota vads var traucēt darbarīka darbību, tādējādi izraisot traumas.

## SAGLABĀJIET ŠOS NORĀDĪJUMUS.

**▲BRĪDINĀJUMS:** NEPIEĻAUJIET to, ka labu iemaņu vai izstrādājuma labas pārzināšanas (darbarīku atkārtoti ekspluatējot) rezultātā vairs stingri neievērojat šī izstrādājuma drošības noteikumus.

NEPAREIZI LIETOJOT darbarīku vai neievērojot šajā instrukciju rokasgrāmatā minētos drošības noteikumus, var tikt gūtas smagas traumas.

## Svarīgi drošības norādījumi par akumulatora kasetni

1. Pirms akumulatora lietošanas izlasiet visus norādījumus un brīdinājumus, kuri attiecas uz (1) akumulatora lādētāju, (2) akumulatoru un (3) ierīci, kurā tiek izmantots akumulators.
2. Neizjauciet akumulatoru.
3. Ja akumulatora darbības laiks kļūva ievērojami īsāks, nekavējoties pārtrauciet to izmantot. Citādi, tas var izraisīt pārkaršējumu, uzliesmojumu vai pat sprādzienu.
4. Ja elektrolīts nonāk acīs, izskalojiet tās ar tīru ūdens un nekavējoties griezieties pie ārsta. Tas var izraisīt redzes zaudēšanu.
5. Neradiet īssavienojumu akumulatora kasetnē:
  - (1) Nepieskarieties spaiļēm ar elektrību vadošiem materiāliem.
  - (2) Neuzglabājiet akumulatoru kasetni kopā ar citiem metāla priekšmetiem, tādiem kā naglas, monētas u. c.
  - (3) Nepakļaujiet akumulatora kasetni ūdens vai lietus iedarbībai.Akumulatora īssavienojums var radīt spēcīgu strāvas plūsmu, pārkaršanu, uzliesmojumu un pat sabojāt akumulatoru.
6. Neglabājiet darbarīku un akumulatora kasetni vietās, kur temperatūra var sasniegt vai pārsniegt 50 °C (122 °F).
7. Nededziniet akumulatora kasetni, pat ja tā ir stipri bojāta vai pilnībā nolietota. Akumulatora kasetne uguni var eksplodēt.
8. Uzmanieties, lai neļautu akumulatoram nokrist un nepakļautu to sitienam.
9. Neizmantojiet bojātu akumulatoru.
10. Uz izmantotajiem litiņa jonu akumulatoriem attiecas likumdošanas prasības par bīstamiem izstrādājumiem. Komerציאלā transportēšanā, ko veic, piemēram, trešās puses, transporta uzņēmumi, jāievēro uz iesaiņojuma un marķējuma norādītās īpašās prasības. Lai izstrādājumu sagatavotu nosūtīšanai, jāsažinās ar bīstamo materiālu speciālistu. Ievērojiet arī citus attiecīnāms valsts normatīvus. Vajējus kontaktus nosedziet ar līmlenti vai citādi pārklājiet, bet akumulatoru iesaiņojiet tā, lai sainī tas nevarētu izkustēties.
11. Lai utilizētu akumulatora kasetni, izņemiet to no darbarīka un likvidējiet drošā vietā. Ievērojiet vietējos noteikumus par akumulatora likvidēšanu.
12. Izmantojiet šos akumulatorus tikai ar izstrādājumiem, kurus norādījis Makita. Ievietojot šos akumulatorus nesaderīgos izstrādājumos, var rasties ugunsgrēks, pārmērīgs karstums, tie var uzsprāgt vai no tiem var iztecēt elektrolīts.
13. Ja darbarīks netiks lietots ilgu laiku, no tā jāizņem akumulators.

## SAGLABĀJIET ŠOS NORĀDĪJUMUS.

**▲UZMANĪBU:** Lietojiet tikai oriģinālos Makita akumulatorus. Ja lietojat neoriģinālus Makita akumulatorus vai pārveidotus akumulatorus, tie var uzsprāgt un izraisīt aizdegšanos, traumas un materiālos zaudējumus. Tīks anulēta arī Makita darbarīka un lādētāja garantija.

## Ieteikumi akumulatora kalpošanas laika pagarināšanai

1. Uzlādējiet akumulatora kasetni, pirms tā ir pilnībā izlādējusies. Vienmēr, kad ievērojat, ka darbarīka darba jauda zudusi, apturiet darbarīku un uzlādējiet akumulatora kasetni.
2. Nekad neuzlādējiet pilnībā uzlādētu akumulatora kasetni. Pārmērīga uzlāde saīsina akumulatora kalpošanas laiku.
3. Uzlādējiet akumulatora kasetni istabas temperatūrā 10 °C - 40 °C. Karstai akumulatora kasetnei pirms uzlādes ļaujiet atdzist.
4. Uzlādējiet litiņa jonu akumulatora kasetni, ja to ilgstoši nelietosit (vairāk nekā sešus mēnešus).

## FUNKCIJU APRAKSTS

**UZMANĪBU:** Pirms darbarīka regulēšanas vai tā darbības pārbaudes vienmēr pārlicinieties, ka darbarīks ir izslēgts un akumulatora kasetne ir izņemta.

## Akumulatora kasetnes uzstādīšana un izņemšana

**UZMANĪBU:** Vienmēr pirms akumulatora kasetnes uzstādīšanas vai noņemšanas izslēdziet darbarīku.

**UZMANĪBU:** Uzstādot vai izņemot akumulatora kasetni, darbarīku un akumulatora kasetni turiet cieši. Ja darbarīku un akumulatora kasetni nētur cieši, tie var izkrist no rokām un radīt bojājumus darbarīkam un akumulatora kasetnei, kā arī izraisīt ievainojumus.

Lai ievietotu akumulatora kasetni, atveriet pārsegu, vienlaikus spiežot fiksācijas sviru. Savietojiet akumulatora kasetnes mēlīti ar rievu korpusā un iebīdīet to vietā. Ievietojiet to līdz galam, līdz tā ar klikšķi nofiksējas. Ja pogas augšējā daļā redzams sarkans indikators, tas nozīmē, ka tā nav pilnīgi nofiksēta. Kad akumulatoru kasetnes ir uzstādītas vai izņemtas, noteikti uzlieciet atpakaļ pārsegu.

► **Att. 1:** 1. Pārsegs 2. Fiksācijas svira

Lai izņemtu akumulatoru kasetnes, izvelciet kasetni, vienlaikus spiežot kasetnes priekšpusē esošo pogu.

► **Att. 2:** 1. Sarkanais krāsas indikators 2. Poga 3. Akumulatora kasetne

**UZMANĪBU:** Vienmēr ievietojiet akumulatora kasetni tā, lai sarkanais indikators nebūtu redzams. Pretējā gadījumā tā var nejauši izkrist no darbarīka un izraisīt jums vai apkārtējiem traumas.

**UZMANĪBU:** Neievietojiet akumulatora kasetni ar spēku. Ja kasetne neslīd ietvarā viegli, tā nav pareizi ielikta.

**UZMANĪBU:** Pirms darba sākšanas noteikti nofiksējiet pārsegu.

## Darbarīka/akumulatora aizsardzības sistēma

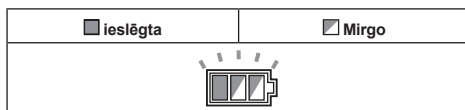
Darbarīkam ir darbarīka/akumulatora aizsardzības sistēma. Šī sistēma automātiski izslēdz strāvas padevi motoram, lai pagarinātu darbarīka un akumulatora darbmūžu. Lietošanas laikā darbarīks automātiski pārstās darboties, ja darbarīku vai akumulatoru pakļaus kādam no šādiem apstākļiem.

## Aizsardzība pret pārslodzi

Ja akumulatoru lieto tā, ka tas patērē pārmērīgi lielu strāvas daudzumu, darbarīks automātiski pārstāj darboties bez jebkādas norādes. Šādā gadījumā izslēdziet darbarīku un pārtrauciet darbību, kas izraisīja darbarīka pārslodzi. Tad ieslēdziet darbarīku, lai atsāktu darbu.

## Aizsardzība pret pārkaršanu

Ja ierīce ir pārkarusi, tā automātiski izslēdzas un sāk mirgot akumulatora indikators. Šādā gadījumā pirms atkārtotas ierīces ieslēgšanas ļaujiet tai atdzist.



## Aizsardzība pret akumulatora pārmērīgu izlādi

Ja akumulatora jaudas līmenis ir zems, darbarīks automātiski pārstāj darboties. Šajā gadījumā akumulatoru izņemiet no darbarīka un uzlādējiet.

## Atlikušās akumulatora jaudas indikators

*Tikai akumulatora kasetnēm ar indikatoru*

► **Att. 3:** 1. Indikatora lampas 2. Pārbaudes poga

Nospiediet akumulatora kasetnes pārbaudes pogu, lai pārbaudītu akumulatora atlikušo uzlādes līmeni. Indikatori iedegsies uz dažām sekundēm.

Indikatora lampas			Atlikušā jauda
Iedegies	Izslēgts	Mirgo	
■ ■ ■ ■	□ □ □ □	▨	No 75% līdz 100%
■ ■ ■ □	□ □ □ □	□	No 50% līdz 75%
■ ■ □ □	□ □ □ □	□	No 25% līdz 50%
■ □ □ □	□ □ □ □	□	No 0% līdz 25%
▨ □ □ □	□ □ □ □	□	Uzlādējiet akumulatoru.
■ ■ □ □	□ □ □ □	□	Iespējama akumulatora kļūme.
□ □ ■ ■	□ □ □ □	□	






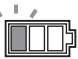

**PIEZĪME:** Reālā jauda var nedaudz atšķirties no norādītās atkarībā no lietošanas apstākļiem un apkārtējās temperatūras.

## Atlikušās akumulatora jaudas indikators

**IEVĒRĪBAI:** Akumulatora indikators neiedegas, kad barošanas slēdzis atrodas pozīcijā OFF (izslēgts). Lai pārbaudītu atlikušo akumulatora jaudu, pagrieziet barošanas slēdzi augsta vai zema spiediena režīmā.

Nospiediet pārbaudes pogu, lai pārbaudītu akumulatora atlikušo jaudu. Akumulatora indikatori atbilst katram akumulatoram.

► **Att.4:** 1. Akumulatora indikators 2. Pārbaudes poga

Akumulatora indikatora stāvoklis			Atlikušā akumulatora jauda
 Ieslēgts	 Izslēgts	 Mirgo	
			No 50% līdz 100%
			No 20% līdz 50%
			No 0% līdz 20%
			Akumulatora uzlāde

## Ieslēgšanas slēdzis

**IEVĒRĪBAI:** Negrieziet ieslēgšanas slēdzi ar spēku. Tādējādi var izraisīt slēdža nepareizu darbību.

Atkarībā no spiediena līmeņa grieziet ieslēgšanas slēdzi pulksteņrādītāja kustības virzienā vai pretēji pulksteņrādītāja kustības virzienam. Grieziet ieslēgšanas slēdzi pulksteņrādītāja kustības virzienā, lai strādātu augsta spiediena režīmā, bet pretēji pulksteņrādītāja kustības virzienam, lai strādātu zema spiediena režīmā.

► **Att.5:** 1. Zema spiediena režīms 2. OFF (IZSLĒGTS) 3. Augsta spiediena režīms

**PIEZĪME:** Pagriezot barošanas slēdzi augsta vai zema spiediena režīmā, uz dažām sekundēm iedegas akumulatora indikatori.

## Sprauslas funkcijas

**PIEZĪME:** Standarta sprauslas dažādās valstīs ir atšķirīgas. Cita veida sprauslas skatiet sadaļā PAPILDPIEDERUMI.

## Izsmidzināšanas uzgalis

Atkarībā no valsts

► **Att.6**

Strūklas platumu var noregulēt no 0° līdz 25°, griežot sprauslas priekšgalu.

**UZMANĪBU:** Iestatot strūklas platumu un griežot sprauslu, nevelciet to pret izsmidzināšanas pistoli. Sprausla var atdalīties no izsmidzināšanas pistoles un radīt miesas bojājumus.

## Netīrumu strūklas iekārta

Atkarībā no valsts

► **Att.7**

Izšācas spirālveida strūkla. Piemērota grūti notīrāmu netīrumu tīrīšanai.

**IEVĒRĪBAI:** Neizmantojiet netīrumu strūklas iekārtu traušu virsmu, piemēram, logu vai automobiļu korpusu, tīrīšanai.

## Izsmidzināšanas pistoles darbība

Lai izšāktu ūdens strūklu, pavelciet mēlīti. Ūdens strūkla šļāksies, kamēr mēlīte būs nospiesta. Lai droši lietotu izsmidzināšanas pistoli, mēlīti var bloķēt. Lai bloķētu mēlīti, izvelciet aizturi un ieāķējiet to roktura rievā.

► **Att.8:** 1. Mēlīte 2. Aizturis 3. Rieva

**IEVĒRĪBAI:** Lai novērstu spiediena slēdža mehānisku kļūmi, darbinot mēlīti, vienmēr ievērojiet divu sekunžu intervālu.

## Drošības vārsts

Šai ierīcei ir drošības vārsts, kas novērš lieku pārspiedienu. Pēc mēlītes atbrīvošanas vārsts atveras un notiek ūdens recirkulācija caur sūkņa ieeju.

**UZMANĪBU:** Nemēģiniet pārveidot vai pielāgot drošības vārsta iestatījumu.

## Ūdens padeve no tvertnes/tilpnes

Ūdens padevi varat nodrošināt ne vien no ūdensvada krāna, bet arī no tvertnes vai tilpnes.

Nomainiet ūdens šļūtenes savienotāju ar iesūkšanas šļūtenes komplektu. Kad grasāties pievienot iesūkšanas šļūtenes komplektu, vispirms atvienojiet filtra ietvaru no šļūtenes un pievienojiet filtra ietvaru augstspiediena mazgāšanas ierīces ielūdes atverei. Tad pievienojiet šļūteni filtra ietvaram.

**PIEZĪME:** Atvienojot šļūteni no filtra ietvara vai pievienojot to ietvaram, pagrieziet uznavu, vienlaikus turot šļūteni, lai šļūtene negrieztos kopā ar uznavu.

► **Att.9:** 1. Tvertne/tilpne 2. Iesūkšanas šļūtenes komplekts 3. Ūdens šļūtenes savienotājs 4. Šļūtene 5. Filtra korpuss 6. Augstspiediena mazgāšanas ierīces ieeja 7. Šļūtenes saite 8. Uznav

**UZMANĪBU:** Pievienojot šļūteni filtra ietvaram, uzmanieties, lai nesavinātu rokas ar šļūtenes saiti.

**IEVĒRĪBAI:** Vienmēr izmantojiet Makita iesūkšanas šļūtenes komplektu.

**IEVĒRĪBAI:** Neturiet augstspiediena mazgāšanas ierīces ielūdi augstāk par 1 m (3,28 pēdām) no ūdens virsmas. Citādi augstspiediena mazgāšanas ierīce nespēs iesūkt ūdeni sūknī.

Lai iesūknētu ūdeni šļūtenē, noņemiet izsmidzināšanas pistoles sprauslu un, spiežot mēlīti, ieslēdziet augstspiediena mazgāšanas ierīci. Tiklīdz no izsmidzināšanas pistoles izšācas liels ūdens daudzums, atbrīvojiet mēlīti un pievienojiet vajadzīgo sprauslu.

► **Att.10:** 1. Izsmidzināšanas pistole



**PIEZĪME:** Ja ūdens neizšļācas, atvienojiet iesūkšanas šļūtenes komplektu un iegremdējiet to ūdenī. Pēc tam atkal pievienojiet to augstspiediena mazgāšanas ierīcei.

► **Att.11:** 1. Iesūkšanas šļūtenes komplekts

## Izmantojot konteineru kā ūdens tvertni

Kopā ar augstspiediena mazgāšanas ierīci (atkarībā no valsts) piegādāto konteineru var izmantot kā ūdens tvertni.

1. Iztukšojiet konteineru un iepildiet tajā ūdeni.

► **Att.12:** 1. Maksimālā ūdens daudzuma atzīme

**IEVĒRĪBAI:** Neuzpildiet ūdeni pāri maksimālā ūdens daudzuma atzīmei.

**IEVĒRĪBAI:** Konteinerā vāks nav cieši noslēdzošs. Raugieties, lai pārvietošanas laikā ūdens neizlītu no konteinerā.

2. Atvienojiet filtra ietvaru no iesūkšanas šļūtenes komplekta šļūtenes.

► **Att.13:** 1. Šļūtene 2. Filtra ietvars

3. Noņemiet ūdens ieplūdes atveres vāciņu un ievietojiet iesūkšanas šļūtenes komplektu atverē, kā parādīts attēlā.

► **Att.14:** 1. Vāciņš 2. Vāciņa turētājs 3. Ūdens ieplūdes atvere 4. Iesūkšanas šļūtenes komplekts

**PIEZĪME:** Ūdens ieplūdes atveres vāciņu var novietot uz vāciņa turētāja.

4. Noņemiet ūdens šļūtenes savienotāju no augstspiediena mazgāšanas ierīces ieplūdes atveres. Tad pievienojiet filtra ietvaru ieplūdei un šļūteni filtra ietvaram.

► **Att.15:** 1. Augstspiediena mazgāšanas ierīces ieplūdes atvere 2. Filtra ietvars 3. Ūdens šļūtenes savienotājs 4. Šļūtene

5. Uzlieciet augstspiediena mazgāšanas ierīci uz konteineru un nostipriniet to ar stiprinājumiem uz konteineru vāka.

► **Att.16:** 1. Augstspiediena mazgāšanas ierīce 2. Pārsegs 3. Gaisa atvere

**IEVĒRĪBAI:** Pārnēsājiet konteineru piesardzīgi.

Ja pārnēsājat konteineru, kad tajā ir augstspiediena mazgāšanas ierīce un piederumi vai ūdens, konteiners sava svara dēļ var izraisīt negadījumu vai traumu.

**IEVĒRĪBAI:** Pārnēsājot konteineru, nekratiet, neapgāziet un neturiet to pārlieku slīpi. Pretējā gadījumā:

- var izlīst iekšā esošais ūdens;
- augstspiediena mazgāšanas ierīce var nokrist no konteineru vāka;
- konteineru riteņu griešanās var tikt traucēta.

**IEVĒRĪBAI:** Ja pārnēsājat konteineru, turot tā rokturi, un konteinerā ir daudz ūdens, tas var izšļakstīties.

**IEVĒRĪBAI:** Ja ūdens konteiners tiek sasvērts, ūdens var sasnīgt gaisa atveri un izlīst pa to.

**IEVĒRĪBAI:** Nekāpiet uz konteineru. Tā var salauzt vāku.

**IEVĒRĪBAI:** Neatstājiet konteineru piepildītu ar ūdeni uz ilgu laiku. Tas var izraisīt bojājumus un ūdens noplūdi.

Pēc lietošanas rīkojieties, kā norādīts tālāk.

1. Noņemiet drenāžas atveres vāciņu un izvadiet ūdeni.

► **Att.17:** 1. Drenāžas atvere

2. Ar drānu izslaukiet konteineru un tad to pilnībā izžāvējiet.

**IEVĒRĪBAI:** Neglabājiet augstspiediena mazgāšanas ierīci un piederumus konteinerā, kamēr tas ir slapjš. Atlikušais šķidrums var izraisīt kļūdainu darbību un rūsēšanu.

## MONTĀŽA

**UZMANĪBU:** Pirms darbarīka regulēšanas vai apkopes vienmēr pārlicinieties, ka darbarīks ir izslēgts un akumulatora kasetne ir izņemta.

## Augstspiediena šļūtenes pievienošana

Pievienojiet augstspiediena šļūteni ligzdai (ar pistoles apzīmējumu). Pagrieziet augstspiediena šļūtenes uzgriezni pulkstenrādītāja kustības virzienā, lai uzskrūvētu to uz ligzdas skrūves vītnes.

► **Att.18:** 1. Ligzda 2. Uzgrieznis

**UZMANĪBU:** Pārlicinieties, ka augstspiediena šļūtene ir stingri pievienota. Valīgs savienojums var noraut šļūteni, nodarot miesas bojājumus.

## Izsmidzināšanas pistoles pievienošana

Pievienojiet augstspiediena šļūteni izsmidzināšanas pistoles ieejai. Pagrieziet augstspiediena šļūtenes uzgriezni pulkstenrādītāja kustības virzienā, lai uzskrūvētu to uz ieejas skrūves vītnes.

► **Att.19:** 1. Ieeja 2. Uzgrieznis

**UZMANĪBU:** Pārlicinieties, ka augstspiediena šļūtene ir stingri pievienota. Valīgs savienojums var noraut šļūteni, nodarot miesas bojājumus.

## Pievienošana ūdensvada krānam

**UZMANĪBU:** Vienmēr izmantojiet spiedienizturīgas ūdens šļūtenes ar 13 mm vai lielāku diametru un pievienojiet tās krānam, izmantojot piemērotus stiprinājumus. Pretējā gadījumā ūdens šļūtene un/vai stiprinājums var saplīst un radīt traumas.

**IEVĒRĪBAI:** Spiedienizturīgajai ūdens šļūtenei jābūt pēc iespējas īsākai. Iesūknētā ūdens daudzumam jābūt lielākam par sūkņa maksimālo padeves daudzumu.

**IEVĒRĪBAI:** Pievienojot šļūteni dzeramā ūdens vadam, izmantojiet pretvārstu, kas atbilst jūsu reģionā piemērojamiem noteikumiem.

Sagatavojiet spiedienizturīgu ūdens šļūteni. Vienā galā uzmauciet savienojuma uznavu un otru galu pievienojiet ūdensvada krānam, ievērojot norādījumus.

1. Noņemiet savienojuma uznavas uzgriezni un izvelciet spiedienizturīgo ūdens šļūteni caur uzgriezni. Šļūtenes galu ievietojiet savienojuma uznavā un pievelciet uzgriezni.

- **Att.20:** 1. Spiedienizturīga ūdens šļūtene  
2. Savienojuma uznavas uzgrieznis  
3. Savienojuma uznavas

**PIEZĪME:** Ja spiedienizturīgo ūdens šļūteni ūdensvada krānam vēlaties pievienot ar savienojuma uznavu, sagatavojiet vēl vienu uznavu un uzmauciet to otrā šļūtenes galā.

2. Pievienojiet spiedienizturīgo ūdens šļūteni ūdensvada krānam. Lai šļūtenes galu fiksētu pie ūdensvada krāna, izmantojiet piemērotu stiprinājumu, piemēram, šļūtenes saiti vai ūdenskrāna savienojumu.

- **Att.21:** 1. Šļūtenes saite 2. Ūdenskrāna savienojums 3. Spiedienizturīga ūdens šļūtene

**PIEZĪME:** Stiprinājums jāizvēlas atbilstoši pievienojamā ūdensvada krāna formai. Sagatavojiet piemērotu veikalā iegādātu stiprinājumu.

3. Pievienojiet ūdens šļūtenes savienotāju ieejai (ar krāna apzīmējumu) un pēc tam ievietojiet savienojuma uznavu.

- **Att.22:** 1. Savienojuma uznavas 2. Ūdens šļūtenes savienotājs 3. Augstspiediena mazgāšanas ierīces ieeja

## Sprauslas pievienošana/atvienošana

**⚠UZMANĪBU:** Kad pievienojat/atvienojat sprauslu, vienmēr nobloķējiet izsmidzināšanas pistoles mēlīti.

Ievietojiet sprauslas galu izsmidzināšanas pistoles atverē un grieziet to bultiņas virzienā, kā parādīts attēlā. Lai atvienotu sprauslu, grieziet to pretējā virzienā, vienlaikus spiežot sprauslu izsmidzināšanas pistoles virzienā.

- **Att.23:** 1. Izsmidzināšanas pistole 2. Atvere 3. Sprauslas gals

## Putu sprauslas pievienošana

### Papildu piederumi

**⚠UZMANĪBU:** Kad pievienojat/atvienojat sprauslu, vienmēr nobloķējiet izsmidzināšanas pistoles mēlīti.

Pirms putu sprauslas izmantošanas sagatavojiet mazgāšanas līdzekli.

1. Noņemiet sprauslu no tvertnes, griežot sprauslu pretēji pulksteņrādītāja kustības virzienam. Pievienojiet sprauslu pie izsmidzināšanas pistoles.

- **Att.24:** 1. Sprausla 2. Izsmidzināšanas pistole

2. Ieļējiet mazgāšanas līdzekli tvertnē un pievienojiet to pie uzgāja.

- **Att.25:** 1. Tvertne

**IEVĒRĪBAI:** Vienmēr izmantojiet neitrālu mazgāšanas līdzekli. Mazgāšanas līdzekļi, kas satur skābi vai sārmu, var sabojāt tvertni vai sprauslu.

## Plastmasas pārnēsāšanas futrāļa uzlikšana konteineram

### Papildu piederumi

Jūs varat konteineram uzlikt Makita plastmasas pārnēsāšanas futrāli. Uzlieciet plastmasas pārnēsāšanas futrāli uz konteineru un nostipriniet to ar stiprinājumiem uz konteineru vāka.

- **Att.26:** 1. Plastmasas pārnēsāšanas futrālis  
2. Stiprinājums

## Konteinera novietošana uz ratiņiem

### Papildu piederumi

Pārvietojot konteineru ar Makita ratiņiem, novietojiet konteineru pozīcijā. Pārliecinieties, ka konteineru apakša ietilpst ratiņu pamatnē.

- **Att.27:** 1. Konteinera apakšējā virsma 2. Ratiņu pamatne

**⚠UZMANĪBU:** Izmantojot ratiņus, nepārvietojiet konteineru, piepildītu ar ūdeni. Tas var zaudēt līdzsvaru un izraisīt savainojumus vai deformēt konteineru un izraisīt ūdens noplūdi.

## EKSPLUATĀCIJA

**⚠BRĪDINĀJUMS:** Nepieskarieties ūdens strūklai un nevērsiet to tieši pret sevi vai citiem. Ūdens strūkļa ir bīstama un var ievainot jūs un citus cilvēkus.

**⚠BRĪDINĀJUMS:** Izšļācot ūdens strūkļu, nekādā gadījumā neturiet tīrāmo priekšmetu rokās un neturiet plaukstas vai pēdas pie ūdens strūklas.

**⚠UZMANĪBU:** Uzmanieties no ūdens strūklas rikošeta un aizstumtiem priekšmetiem. Netuviniet sprauslu priekšmetiem tuvāk par 30 cm.

**⚠UZMANĪBU:** Nedarbiniet augstspiediena mazgāšanas ierīci bez ūdens ilgāk par 1 minūti.

**⚠UZMANĪBU:** Nedarbiniet augstspiediena mazgāšanas ierīci pārmērīgi ilgi. Tas var izraisīt ierīces pārkaršanu vai aizdegšanos. Ilgstoša lietošana var izraisīt arī vibrācijas radītus traucējumus.

**⚠UZMANĪBU:** Ņemiet vērā vēja virzienu. Ja mazgāšanas līdzeklis iekļuvis acīs vai mutē, nekavējoties izskalojiet to ar tīru ūdeni un vajadzības gadījumā vērsieties pie ārsta.

**IEVĒRĪBAI:** Nedarbiniet augstspiediena mazgāšanas ierīci ilgāk par 1 stundu. Pēc 1 stundu ilgas darbināšanas nodrošiniet tikpat ilgu pārtraukumu.

**IEVĒRĪBAI:** Lai aizsargātu augstspiediena mazgāšanas ierīces mehānismu, neizmantojiet ūdeni, kas karstāks par 40 °C.

1. Pievienojiet vienu augstspiediena šļūtenes galu izsmidzināšanas pistolei un otru – augstspiediena mazgāšanas ierīcei.

2. Savienojiet augstspiediena mazgāšanas ierīci ar ūdensvada krānu, izmantojot ūdens šļūteni. Pēc tam atveriet krānu.

► **Att.28**

3. Atveriet pārsegu, ievietojiet akumulatoru kasetnes augstspiediena mazgāšanas ierīcē un tad aizveriet pārsegu.

► **Att.29:** 1. Akumulatora kasetne 2. Pārsegs

4. Pagrieziet barošanas slēdzi vēlamā režīmā pozīcijā.

► **Att.30:** 1. Zema spiediena režīms 2. Pozīcija OFF (Izslēgts) 3. Augsta spiediena režīms

5. Lai izšļāktu ūdens strūklu, atbloķējiet aizturi un nospiediet mēlīti. Ūdens strūkļa šļāksies, kamēr mēlīte būs nospiesta.

► **Att.31:** 1. Aizturis

**⚠UZMANĪBU:** Stingri turiet mēlīti. Pavelkot mēlīti, izsmidzināšanas pistole rada atslīdenu.

**⚠UZMANĪBU:** Kad tiek raidīta ūdens strūkļa, vienmēr satveriet izsmidzināšanas pistoles rokturi un stobru.

**IEVĒRĪBAI:** Strādājot spēcīgi neraustiet izsmidzināšanas pistoli. Tādējādi augstspiediena mazgāšanas ierīce var apgāzties.

Pārtraucot darbību, jūs uz neilgu laiku varat novietot izsmidzināšanas pistoli, kā parādīts attēlā.

► **Att.32**

## Pēc lietošanas

**⚠UZMANĪBU:** Pēc augstspiediena mazgāšanas ierīces lietošanas vienmēr izpildiet šajā rokasgrāmatā aprakstīto procedūru. Izsmidzināšanas pistolei vai augstspiediena mazgāšanas ierīcē palikušais spiediens var radīt traumas vai sūknja bojājumus.

1. Izslēdziet augstspiediena mazgāšanas ierīci.

2. Aizveriet ūdensvada krānu un atvienojiet ūdens šļūteni no augstspiediena mazgāšanas ierīces.

► **Att.33**

3. Atkārtoti ieslēdziet augstspiediena mazgāšanas ierīci.

4. Spiediet mēlīti, līdz augstspiediena mazgāšanas ierīcē atlikušais ūdens ir iztecējis.

► **Att.34**

**IEVĒRĪBAI:** Nedarbiniet motoru ilgāk par 1 minūti.

5. Izslēdziet augstspiediena mazgāšanas ierīci un izņemiet akumulatoru kasetnes.

► **Att.35:** 1. Ieslēgšanas slēdzis 2. Akumulatora kasetne

6. Atvienojiet augstspiediena šļūteni no izsmidzināšanas pistoles un augstspiediena mazgāšanas ierīces.

► **Att.36:** 1. Izsmidzināšanas pistole 2. Augsta spiediena šļūtene 3. Augstspiediena mazgāšanas ierīce

**IEVĒRĪBAI:** Lai novērstu augstspiediena šļūtenes bojājumu, pirms novietošanas glabāšanai no šļūtenes iztukšojiet atlikušo ūdeni.

## APKOPE UN GLABĀŠANA

**⚠UZMANĪBU:** Pirms ierīces pārbaudes vai apkopes vienmēr pārliecinieties, ka ierīce ir izslēgta un akumulatora kasetne ir atvienota.

**IEVĒRĪBAI:** Nekad neizmantojiet gazoļīnu, benzīnu, atšākdītāju, spirtu vai līdzīgus šķidrums. Tas var radīt izbalēšanu, deformāciju vai plaisas.

Lai saglabātu izstrādājuma DROŠU un UZTICAMU darbību, remontdarbus, apkopi un regulēšanu uzticiet veikt tikai Makita pilnvarotam vai rūpnīcas apkopes centram, un vienmēr izmantojiet tikai Makita rezerves daļas.

## Sprauslas tīrīšana

Lai iztīrītu neitrumus vai sprauslas aizsērējumus, izmantojiet tīrīšanas adatu.

► **Att.37:** 1. Tīrīšanas adata

**IEVĒRĪBAI:** Netīriet neitrumus vai grūzus ar spēku. Tā varat savainoties vai sabojāt izšļākšanas atveri, tādējādi radot izsmidzināšanas leņķa novirzes vai darbības traucējumus.

## Filtera tīrīšana

Atvienojiet ūdens šļūtenes savienotāju un iztīriet no filtra neitrumus un grūzus.

► **Att.38:** 1. Ūdens šļūtenes savienotājs 2. Filtrs 3. Blīvgredzens

Izmantojot iesūkšanas šļūtenes komplektu (papildpiederums), izņemiet filtru no filtra korpusa un iztīriet neitrumus un grūzus.

► **Att.39:** 1. Filtrs 2. Filtra korpus

**PIEZĪME:** Lai uzturētu optimālu veiktspēju, regulāri tīriet filtru.

## Glabāšana

**⚠UZMANĪBU:** Vienmēr glabājiet ierīci telpās, kur temperatūra nepazeminās līdz sasalšanas temperatūrai. Ja augstspiediena mazgāšanas ierīce sasalst un darbojas nepareizi, sazinieties ar vietējo apkopes centru, lai veiktu remontu.

Glabājiet piederumus augstspiediena mazgāšanas ierīces sānu kabatā.

### Pareizas glabāšanas paraugs

► **Att.40:** 1. Augstspiediena šļūtene 2. Uzgalis 3. Izsmidzināšanas pistole

Ja modeļa komplektācijā ir iekļauts konteiners, glabājiet augstspiediena mazgāšanas ierīci un piederumus tajā.

### Pareizas glabāšanas paraugs

► **Att.41:** 1. Augstspiediena mazgāšanas ierīce 2. Uzgalis 3. Izsmidzināšanas pistole 4. Mazgāšanas sūka 5. Putu sprausla 6. Augstspiediena šļūtene 7. Lādētājs 8. Iesūkšanas šļūtenes komplekts 9. Pret spiedienu noturīga ūdens šļūtene

**PIEZĪME:** Dažās valstīs daži no ilustrācijā parādītajiem piederumiem tiek piegādāti tikai kā papildu piederumi.

# PROBLĒMU NOVĒRŠANA

Pirms nodošanas remontā vispirms veiciet pārbaudi pats. Ja konstatējat kļūmi, kas nav aprakstīta rokasgrāmatā, nemēģiniet darbarīku izjaukt. Dodieties uz Makita pilnvarotu apkopes centru un remontam vienmēr izmantojiet tikai Makita rezerves daļas.

Neatbilstošas darbības stāvoklis	Iespējamais iemesls (kļūme)	Risinājums
Mazgāšanas ierīci nevar iedarbināt.	Nav elektrības	Ievietojiet uzlādēto akumulatoru kasetnes.
	Slēdzis nav ieslēgts.	Ieslēdziet slēdzi.
	Sūknī palicis spiediens	Pavelciet mēlīti.
	Bojāts akumulators vai strāvas ķēde	Vērsieties pilnvarotā apkopes centrā, lai veiktu remontu.
Nav ūdens strūkļas / ūdens strūkļa ir vāja	Nav ūdens padeves	Pārbaudiet, vai ūdensvada krāns ir atvērts. Izmantojot iesūkšanas šļūteni, ievadiet ūdeni šļūtenē.
	Vāja ūdens padeve	Atgrieziet ūdensvada krānu.
	Slikti pievienota ūdens šļūtene	Pārbaudiet augstspiediena mazgāšanas ierīces savienojumu ar ūdensvada krānu.
	Aizsērējusi šļūtene, filtrs vai sprausla	Iztīriet šļūteni, filtru vai sprauslu.
	Gaiss bloķē ūdens plūsmu.	Izslēdziet un pēc tam atkal ieslēdziet slēdzi, vienlaikus spiežot mēlīti.
	Bojāta vai nodilusi sprausla	Nomainiet sprauslu.
	Sūkņa vai vārsta darbības traucējums	Vērsieties pilnvarotā apkopes centrā, lai veiktu remontu.
Nevienmērīgā ūdens strūkļa	Aizsērējusi sprausla	Izmantojot tīrīšanas adatu, iztīriet sprauslas izšļācšanās atveri.
	Vāja ūdens sūkšana	Sākot no ūdensvada krāna, pārbaudiet, vai ūdens šļūtenei nav sūču vai aizsērējumu. Atgrieziet ūdensvada krānu.
	Ūdens ir pārāk karsts.	Noregulējiet vēsāku ūdeni.
	Vārsta darbības traucējums	Vērsieties pilnvarotā apkopes centrā, lai veiktu remontu.
Neparasta skaņa	Ūdens ir pārāk karsts.	Noregulējiet vēsāku ūdeni.
	Sūknī ir gaiss.	Vērsieties pilnvarotā apkopes centrā, lai veiktu remontu.
Ūdens noplūdes	Slikti savienojums	Pārbaudiet augstspiediena mazgāšanas ierīces savienojumu ar izsmidzināšanas pistoli un ūdensvada krānu.
	Nodilušas blīves	Vērsieties pilnvarotā apkopes centrā, lai veiktu remontu.

## PAPILDU PIEDERUMI

**⚠UZMANĪBU:** Šādi piederumi un papildierīces tiek ieteiktas lietošanai ar šajā rokasgrāmatā aprakstīto Makita darbarīku. Izmantojot citus piederumus vai papildierīces, var tikt radīta trauma gūšanas bīstamība. Piederumu vai papildierīci izmantojiet tikai paredzētajam mērķim.

Ja jums vajadzīga palīdzība vai precīzāka informācija par šiem piederumiem, vērsieties savā tuvākajā Makita apkopes centrā.

**PIEZĪME:** Daži sarakstā norādītie izstrādājumi var būt iekļauti instrumenta komplektācijā kā standarta piederumi. Tie dažādās valstīs var būt atšķirīgi.

## Regulējams izsmidzināšanas uzgalis

► Att.42

Griežot sprauslu, var iestatīt strūkļas spiedienu.

**⚠UZMANĪBU:** Iestatot strūkļas spiedienu un griežot sprauslu, nevelciet to pret izsmidzināšanas pistoli. Sprausla var atdalīties no izsmidzināšanas pistoles un radīt miesas bojājumus.

## Putu sprausla

**Atkarībā no valsts**

► Att.43

Var izsmidzināt mazgāšanas līdzekļa putas.

## Mazgāšanas suka (gara)

► Att.44

Sprausla ar suku. Noderīga netīrumu mazgāšanai, vienlaikus beržot ar suku.

## Iesūkšanas šļūtenes komplekts

### ► Att.45

Aizvietojiet ūdens šļūteni ar šo komplektu, lai piegādātu ūdeni no tvertnes vai tilpnes.

## Rotējoša mazgāšanas suka

### ► Att.46

Izšļācot strūklu, iekšpusē lēni griežas trīs sukas. Noderīga nelielu netīrumu mazgāšanai no ārējām sienām, automobiļa virsbūves, vannas utt.

## Uzgaļa pagarinātājs

### ► Att.47

Caurules, ko izmanto izsmidzināšanas pistoles pagarināšanai. Mainot izmantojamo cauruļu skaitu, ir pieejami trīs dažādi garumi.

## Izsmidzināšanas uzgalis mazgāšanai zem virsmām

### ► Att.48

Ļoti garš izsmidzināšanas uzgalis ar atliektu sprauslu. Vispiemērotākais grūti pieejamu zonu tīrīšanai, piemēram, automobiļa apakšdaļas vai jumta notekcauruļu tīrīšanai.

**⚠UZMANĪBU:** Nepievienojiet uzgaļa pagarinātājus izsmidzināšanas uzgalim mazgāšanai zem virsmām.

## Šļakatu aizsargs

### ► Att.49

Ierobežo šļakstīšanos, tīrot stūrus ar netīrumu strūklas iekārtu.

## Šarnīrsavienojums

### ► Att.50

Novērs augstspiediena šļūtenes savīšanos.

## Savienotājs

### ► Att.51

Savienotājs, kas paredzēts cita modeļa sprauslas pievienošanai.

Dažām papildu sprauslām ir vajadzīgs savienotājs (papildpiederums) pievienošanai pie izsmidzināšanas pistoles. Savienotāju pie izsmidzināšanas pistoles pievienojiet tāpat kā sprauslu.

► **Att.52:** 1. Sprausla 2. Savienotājs  
3. Izsmidzināšanas pistole

**PIEZĪME:** Savienotājs ir vajadzīgs, izmantojot cita modeļa sprauslas, HW112 vai HW121.

## Cauruļu tīrīšanas komplekts (10 m/15 m)

### ► Att.53

Aizsērējušu cauruļu sistēmu un stāvvadu tīrīšanai.

**⚠UZMANĪBU:** Ja izmantojat cauruļu tīrīšanas komplektu, pievērsiet īpašu uzmanību ūdens strūklai. Īpaši spēcīgas ūdens strūklas var izraisīt atsitieni. Pirms mēlītes nospiešanas noteikti ievietojiet šļūtenes galu caurulē.

## Augstspiediena šļūtenes pagarinātājs (5 m/8 m/10 m)

### ► Att.54

Šļūtenes pagarinātājs paredzēts augstspiediena mazgāšanas ierīces savienošanai ar izsmidzināšanas pistoli.

## ĮSPĖJIMAS

- Vaikams negalima naudoti šių aparatų. Būtina prižiūrėti vaikus, kad jie nežaistų su šiuo aparatu.
- Šis aparatas nėra skirtas naudoti asmenims (įskaitant vaikus), turintiems fizinių, jutimo ar psichinių negalių arba stokojantiems patirties ir žinių.
- Šis aparatas buvo sukurtas naudoti su gamintojo pristatyta arba rekomenduojama valymo priemone. Kitų valymo priemonių ar cheminių medžiagų naudojimas gali turėti neigiamo poveikio aparato saugumui.
- Aukšto slėgio čiurkšlės gali būti pavojingos, jeigu jos netinkamai naudojamos. Čiurkšlės negalima nukreipti į asmenis, elektros įrangą su įtampa arba patį aparatą.
- Nenaudokite aparato ten, kur jis gali pasiekti žmones, nebent jie dėvėtų apsauginius drabužius.
- Nenukreipkite čiurkšlės į save ar kitus, kad nuplautumėte drabužius ar avalynę.
- Sprogimo pavojus – nepurkškite degių skysčių.
- Aukšto slėgio valytuvų negali naudoti vaikai ar neišmokyti darbuotojai.
- Aukšto slėgio žarnos, pagalbiniai reikmenys ir jungtys yra svarbūs aparato saugumui. Naudokite tik gamintojo rekomenduojamas žarnas, pagalbinius reikmenis ir jungtis.
- Naudokite tik originalias gamintojo arba jo rekomenduotas atsargines dalis, kad užtikrintumėte aparato saugumą.
- Prieš pradėdami bet kokius įrankio taisymo, priežiūros, reguliavimo ar valymo darbus, visuomet būtinai išjunkite įrankį ir išimkite akumuliatoriaus kasetes.
- Įrenginio nenaudokite, jei pažeistos svarbios įrenginio detalės, pvz., saugos įtaisai, aukšto slėgio žarnos ar paleidimo įtaisai.
- Jei įrenginį paliksite be priežiūros, būtinai išimkite akumuliatoriaus kasetes.
- Laikykitės vietinės vandentiekio bendrovės reikalavimų.
- Europos šalys:  
pagal standartą EN12729 (BA) prietaisą taip pat galima jungti prie miesto geriamojo vandens tiekimo tinklo, jei tiekimo žarnoje sumontuotas atgalinį srautą ribojantis vožtuvas su drenažiniu įtaisu.

# SPECIFIKACIJOS

<b>Modelis:</b>		<b>DHW080</b>
Didž. padavimo tūris <sup>*1</sup>		6,3 l/min
Vandens srautas <sup>*2</sup>	Didelio srauto režimas	5,5 l/min
	Mažo srauto režimas	4,0 l/min
Didž. leidžiamasis slėgis		8,0 MPa
Darbinis slėgis <sup>*2</sup>	Didelio srauto režimas	5,5 MPa
	Mažo srauto režimas	3,0 MPa
Didž. padavimo slėgis		1,0 MPa
Didž. padavimo temperatūra		40 °C
Didž. įsiurbimo aukštis		1 m
Vardinė įtampa		Nuol. sr. 36 V
Matmenys (I x P x A)		438 mm x 218 mm x 269 mm
Svoris		7,1 - 7,7 kg

\*1: Naudojant plovimo šepetį.

\*2: Naudojant pulverizatorių.

- Atlikame tęsinius tyrimus ir nuolatos tobuliname savo gaminius, todėl čia pateikiamos specifikacijos gali būti keičiamos be įspėjimo.
- Skirtingose šalyse specifikacijos gali skirtis.
- Svoris gali priklausyti nuo priedo (-ų), įskaitant akumuliatoriaus kasetę. Lengviausias ir sunkiausias deriniai pagal EPTA 2014 m. sausio mėn. procedūrą yra parodyti lentelėje.

## Tinkama akumuliatoriaus kasetė ir (arba) įkroviklis

Akumuliatoriaus kasetė	BL1815N / BL1820 / BL1820B / BL1830 / BL1830B / BL1840 / BL1840B / BL1850 / BL1850B / BL1860B
Įkroviklis	DC18RC / DC18RD / DC18RE / DC18SD / DC18SE / DC18SF / DC18SH

- Atsižvelgiant į gyvenamosios vietos regioną, kai kurios pirmiau nurodytos akumuliatoriaus kasetės ir įkrovikliai gali būti neprieinami.

**ĮSPĖJIMAS:** Naudokite tik akumuliatoriaus kasetes ir įkroviklius, kurie nurodyti anksčiau. Naudojant bet kurias kitas akumuliatoriaus kasetes ir įkroviklius, gali kilti sužeidimo ir gaisro pavojus.

## Simboliai

Toliau yra nurodyti įrangai naudojami simboliai. Prieš naudodami įsitikinkite, ar suprantate jų reikšmę.



Perskaitykite instrukcijų vadovą.



Būkite itin atsargūs ir dėmesingi.



Ni-MH  
Li-Ion

Taikoma tik ES šalims  
Neišmeskite elektros įrangos arba akumuliatoriaus bloko į buitinius šiukšlynus!  
Atsižvelgiant į ES direktyvas dėl elektros ir elektroninės įrangos atliekų, dėl baterijų ir akumuliatorių bei baterijų ir akumuliatorių atliekų ir šių direktyvų siekių įgyvendinimą pagal nacionalinius įstatymus, elektros įrangos ir baterijų bei akumuliatorių atliekas būtina surinkti atskirai nuo kitų buitinių atliekų ir atiduoti į antrinių žaliavų perdirbimo aplinkai nekenksmingu būdu punktą.



Nejunkite prie geriamojo vandens čiaupo.



Nenukreipkite čiurkšlės tiesiai į žmones, įskaitant save, gyvūnus ir elektros įrangą su įtampa.

## Numatytoji naudojimo paskirtis

Šis įrankis yra skirtas sunkiai įveikiamiems nešvarumams valyti naudojant vandens čiurkšlę. Šis įrankis yra skirtas naudoti tik namų ūkyje.

## Triukšmas

Įprastas triukšmo A lygis, nustatytas pagal EN60335-2-79:

Garso slėgio lygis ( $L_{pA}$ ): 70,9 dB (A)

Paklaida (K): 3,6 dB (A)

Dirbant triukšmo lygis gali viršyti 80 dB (A).

**PASTABA:** Paskelbta (-os) triukšmo reikšmė (-ės) nustatyta (-os) pagal standartinį testavimo metodą ir jį galima naudoti vienam įrankiui palyginti su kitu.

**PASTABA:** Paskelbta (-os) triukšmo reikšmė (-ės) taip pat gali būti naudojama (-os) norint preliminariai įvertinti triukšmo poveikį.

**⚠️ ĮSPĖJIMAS:** Dėvėkite ausų apsaugą.

**⚠️ ĮSPĖJIMAS:** Faktiškai naudojant elektrinį įrankį, keliamo triukšmo dydis gali skirtis nuo paskelbtos (-ų) reikšmės (-ių), priklausomai nuo būdų, kuriais yra naudojamas šis įrankis, ir ypač nuo to, kokio tipo ruošinys apdirbamas.

**⚠️ ĮSPĖJIMAS:** Siekdami apsaugoti operatorių, būtina įvertinkite saugos priemones, remdamesi vibracijos poveikio įvertinimu esant faktinėms naudojimo sąlygoms (atsižvelgdami į visas darbo ciklo dalis, pavyzdžiui, ne tik kiek laiko įrankis veikia, bet ir kiek kartų jis yra išjungiamas bei kai jis veikia be apkrovų).

## Vibracija

Vibracijos bendroji vertė (triašio vektoriaus suma) nustatyta pagal EN60335-2-79 standartą:  
Vibracijos emisija ( $a_h$ ): 2,5 m/s<sup>2</sup> arba mažiau  
Paklaida (K): 1,5 m/s<sup>2</sup>

**PASTABA:** Paskelbta (-os) vibracijos bendroji (-osios) reikšmė (-ės) nustatyta (-os) pagal standartinį testavimo metodą ir jį galima naudoti vienam įrankiui palyginti su kitu.

**PASTABA:** Paskelbta (-os) vibracijos bendroji (-osios) reikšmė (-ės) taip pat gali būti naudojama (-os) norint preliminariai įvertinti vibracijos poveikį.

**⚠️ ĮSPĖJIMAS:** Faktiškai naudojant elektrinį įrankį, keliamos vibracijos dydis gali skirtis nuo paskelbtos (-ų) reikšmės (-ių), priklausomai nuo būdų, kuriais yra naudojamas šis įrankis, ir ypač nuo to, kokio tipo ruošinys apdirbamas.

**⚠️ ĮSPĖJIMAS:** Siekdami apsaugoti operatorių, būtina įvertinkite saugos priemones, remdamesi vibracijos poveikio įvertinimu esant faktinėms naudojimo sąlygoms (atsižvelgdami į visas darbo ciklo dalis, pavyzdžiui, ne tik kiek laiko įrankis veikia, bet ir kiek kartų jis yra išjungiamas bei kai jis veikia be apkrovų).

## EB atitikties deklaracija

*Tik Europos šalis*

EB atitikties deklaracija yra pridedama kaip šio instrukcijos vadovo A priedas.

## SVARBŪS SAUGOS ĮSPĖJIMAI

**⚠️ ĮSPĖJIMAS:** Perskaitykite visus saugos įspėjimus ir visą instrukciją. Nesilaikydami toliau pateiktų įspėjimų ir instrukcijų galite patirti elektros smūgį, gaisrą ir (arba) sunkų sužeidimą.

**Išsaugokite visus įspėjimus ir instrukcijas, kad galėtumėte jas peržiūrėti ateityje.**

**ĮSPĖJIMAS.** Naudojant šį gaminį būtina visuomet imtis pagrindinių atsargumo priemonių, įskaitant šias:

### Darbo vietos sauga

1. Darbo vietoje negali būti kitų žmonių.
2. Nesiekite per toli ir nestovėkite ant nestabilių atramų. Visuomet tvirtai stovėkite ant žemės, išlaikykite pusiausvyrą.
3. Visada dėkite aukšto slėgio plovimo aparatą ant lygaus ir stabilaus paviršiaus. Venkite sričių, kuriose išpurkštas vanduo galėtų tekėti ar kauptis.
4. Prieš valydami, patikrinkite aplinką ir norimus valyti daiktus. Aukšto slėgio vandens čiuurkšlės gali nuluptyti dažus ar kitas paviršiaus apdorojimo medžiagas, įskaitant toksines chemines medžiagas. Jeigu reikia, imkitės prevencinių priemonių.
5. Būkite atsargūs, kad neužkliūtumėte už aukšto slėgio plovimo aparato žarnos. Naudodami žarną visą laiką stebėkite jos padėtį.
6. Naudojant iš aukšto slėgio plovimo aparato apačios ištekės nedaug vandens. Nedėkite aukšto slėgio plovimo aparato tose vietose, kurios nenorite, kad sudrėktų.

### Asmeninė sauga

1. Norėdami apsaugoti nuo čiuurkšlės ir daiktų, operatoriai privalo dėvėti tinkamus drabužius, t. y. avėti apsauginę avalynę, mūvėti apsaugines pirštines, nešioti apsauginius šalmsus su skydeliais, klausos apsaugos priemones ir pan.
2. Nenaudokite aukšto slėgio plovimo aparato ten, kur jis gali pasiekti žmones, nebent jie dėvėtų apsauginius drabužius.
3. Norint sumažinti sužalojimo riziką, kai gaminys naudojamas netoli vaikų, būtina atidėti priežiūrą.
4. Prijungus prie geriamojo vandens sistemos, sistema bus apsaugota nuo atgalinės tėkmės.
5. Iš atgalinio vožtuvo ištekėjęs vanduo yra laikomas netinkamu gerti.

### Elektros sauga

1. Akumulatoriaus kasečių niekada nelieskite šlapiomis rankomis.
2. Įrenginio nenaudokite, jei pažeistos svarbios įrenginio detalės, pvz., saugos įtaisai, aukšto slėgio žarnos ar paleidimo įtaisai.

### Elektrinio įrankio naudojimas ir priežiūra

1. Prieš naudodami šį gaminį, perskaitykite visas instrukcijas.
2. Žinokite, kaip reikia sustabdyti aukšto slėgio plovimo aparatą ir greitai sumažinti slėgį. Gerai žinokite, kur yra valdikliai.
3. Aukšto slėgio čiuurkšlės gali būti pavojingos, jeigu jos netinkamai naudojamos. Čiuurkšlės negalima nukreipti į žmones, elektros įrangą su įtampa arba patį aparatą.
4. Šis aparatas nėra skirtas naudoti asmenims (įskaitant vaikus), turintiems fizinį, jutimo ar psichinių negalių arba stokojantiems patirties ir žinių.
5. Būtina prižiūrėti vaikus, kad jie nežaistų su šiuo prietaisu.
6. Nepurškite degių ir (arba) toksinių skysčių. Tai gali sukelti sprogimą, apsinuodijimą ar aparatų sugadinimą.
7. Nenukreipkite čiuurkšlės į save ar kitus, kad nuplautumėte drabužius ar avalynę.



8. Aukšto slėgio žarnos, pagalbiniai reikmenys ir jungtys yra svarbūs aparato saugumui. Naudokite tik gamintojo rekomenduojamas žarnas, pagalbinius reikmenis ir jungtis.
  9. Laikykitės nurodymų, kai keičiate priedus.
  10. Rankenos turi būti švarios, sausos ir neištepotos alyva ar tepalu.
  11. Būkite budrūs – stebėkite, ką darote.
  12. Nenaudokite gaminio, jeigu esate pavargę, apsvaigę nuo alkoholio arba narkotinių medžiagų.
  13. Nelaikykite įjungto aukšto slėgio plovimo aparato be vandens ilgiau kaip vieną minutę. Taip sugadinsite variklį ir aparatas neveiks.
  14. Kai paliekate aukšto slėgio plovimo aparatą be priežiūros, visada išjunkite maitinimą ir vandens tiekimą.
  15. Saugokitės atatrakos. Paleidimo įtaisas atšoka, kai iš antgalio išpurškiama aukšto slėgio čiurkšlė. Tvirtai laikykite paleidimo įtaisą, kad apsisaugotumėte nuo sužalojimų.
  16. Prieš naudojimą patikrinkite, ar nėra pažeistų ar nusidėvėjusių dalių. Taip pat įsitikinkite, kad žarna yra tinkamai prijungta ir dirbant nebus nuotėkio. Dirbant aparatu su funkciniais defektais gali įvykti nelaimingas atsitikimas.
  17. Šis aparatas buvo sukurtas naudoti su gamintojo pristatyta arba rekomenduojama valymo priemone. Kitų valymo priemonių ar cheminių medžiagų naudojimas gali turėti neigiamo poveikio aparato saugumui.
  18. Niekada netraukite už žarnos, norėdami pajudinti patį aukšto slėgio plovimo aparatą. Galite sugadinti žarną ir jungiamąsias detales, o dėl to gali kilti trumpasis jungimas arba sutrikti veikimas.
  19. Ant žarnos nedėkite sunkių daiktų ir neleiskite ant jos važiuoti transporto priemonėms.
  20. Visada prieš atjungdami žarną, sumažinkite paleidimo įtaise likusį slėgį.
  21. Kai jungiate žarną prie vandentiekio, laikykitės savo vietinio vandentiekio skyriaus ar įmonės nurodymų.
  22. Aukšto slėgio plovimo aparatą numetus arba trinkelėjęs į kietą daiktą būtina patikrinti, ar jis nepažeistas ir nesutrūko. Naudojant sugadintą aukšto slėgio plovimo aparatą gali imti rūkti dūmai, kilti gaisras arba galima patirti sužalosiantį elektros smūgį.
  23. Naudojant aukšto slėgio valymo įrenginius, gali susidaryti aerozoliai. Įkvėpus aerozolių, gali kilti pavojus sveikatai.
  24. Priklausomai nuo atliekamo darbo, aukšto slėgio plovimui galima naudoti apsauginį antgalį, kuris žymiai sumažina išmetamų hidroaerolių kiekį. Tačiau šį įtaisą galima naudoti atliekant ne visus darbus. Jei norint apsisaugoti nuo aerolių apsauginio antgalio naudoti neįmanoma, atsižvelgiant į plovimo darbų aplinką, gali tekti naudoti FFP 2 klasės respiratorių.
  25. Pasirūpinkite, kad netyčia neijungtumėte įrankio. Prieš jungdami prie akumulatoriaus, prieš paimdami ar nešdami prietaisą, visuomet patikrinkite, ar išjungtas jo jungiklis. Nešant prietaisą uždėjus pirštą ant jo jungiklio arba įjungiant įrankį į elektros tinklą, kai jo jungiklis yra įjungtas, gali įvykti nelaimingas atsitikimas.
  26. Prieš atlikdami bet kokius reguliavimo, priedų keitimo arba paruošimo sandėliuoti darbus, atjunkite prietaisą nuo akumulatoriaus. Tokios atsargumo priemonės sumažina riziką atsitiktinai įjungti prietaisą.
  27. Nemodifikuokite ar nebandykite remontuoti prietaiso arba akumulatoriaus, jei tai nėra nurodyta naudojimo ir priežiūros instrukcijose.
  28. **ĮSPĖJIMAS.** Išvirkštimo ar sužalojimo pavojus. Nenukreipkite išleidžiamos srovės į žmones.
- Akumulatorinio įrankio naudojimas ir priežiūra**
1. Įkraukite naudodami tik gamintojo nurodytą įkroviklį. Įkroviklis, kuris tinka vienam akumuliatorių tipui įkrauti, gali kelti gaisro pavojų, jei bus naudojamas su kitų tipų akumulatoriais.
  2. Elektrinius įrankius naudokite tik su specialiai jiems skirtais akumulatoriais. Naudojant bet kurį kitą akumuliatorių gali kilti sužeidimo ir gaisro pavojus.
  3. Kai akumulatorius nėra naudojamas, laikykite jį toliau nuo kitų metalinių daiktų, pavyzdžiui, popieriaus sąvaržėlių, monetų, raktų, varžtų ir kitų mažų metalinių daiktų, dėl kurių gali kilti trumpasis jungimas tarp kontaktų. Akumuliatorių kontaktų trumpasis jungimas gali būti nudegimų arba gaisro priežastimi.
  4. Netinkamai naudojant iš akumulatoriaus gali ištėkėti skysčio. Venkite sąlyčio su juo. Jei sąlytis atsitiktinai įvyko, gausiai nuplaukite vandeniu. Jei skysčio pateko į akis, kreipkitės į gydytoją. Iš akumuliatoriaus išbėgęs kystis gali sudirginti arba nudeginti odą.
  5. Nenaudokite sugadinto ar modifikuoto akumulatoriaus arba įrankio. Sugadinti arba modifikuoti akumulatoriai gali veikti neįprastai, todėl gali kilti gaisras, sprogimas arba sužalojimo rizika.
  6. Saugokite akumuliatorių arba įrankį nuo ugnies ar pernelyg aukštos temperatūros. Dėl ugnies ar 130 °C viršijančios temperatūros gali kilti sprogimas.
  7. Laikykitės visų įkrovimo nurodymų ir nekraukite akumulatoriaus ar įrankio, kai temperatūra neatitinka nurodymuose pateikto temperatūros intervalo. Netinkamai įkraunant arba įkraunant esant kitam nei nustatytas temperatūros intervalui, gali būti sugadintas akumuliatorius ar padidėti gaisro rizika.
- Techninė priežiūra**
1. Laikykitės vadove pateiktųjų techninės priežiūros instrukcijų.
  2. Naudokite tik originalias gamintojo arba jo rekomenduotas atsargines dalis, kad užtikrintumėte aparato saugumą.
  3. Tegu jūsų aukšto slėgio plovimo aparato techninę priežiūrą atlieka kvalifikuotas remonto meistras, naudodamas tik identiškas atsargines dalis. Tai užtikrins, kad aukšto slėgio plovimo aparatas bus saugus naudoti.
  4. Aukšto slėgio plovimo aparatui sugedus arba blogai veikiant, nedelsdami jį išjunkite ir išimkite akumulatoriaus kasetę (-es). Susisiekite su vietiniu prekybos atstovu arba techninės priežiūros centru.

## Papildomi įspėjimai dėl saugos

1. Laikykitės vietinės vandentiekio bendrovės reikalavimų.
2. Nenaudokite įrankio, kai yra žaibavimo pavojus.
3. Kai naudojate įrankį ant purvinos dirvos, drėgno nuolydžio ar slidžios vietos, atkreipkite dėmesį į pagrindą po kojomis.
4. Venkite dirbti netinkamoje aplinkoje, kurioje tikėtina, kad naudotojas labiau pavargs.
5. Nekeiskite akumuliatoriaus lyjant.
6. Nepanardinkite įrankio į balą.
7. Nepalikite įrankio lauke lyjant.
8. Jei lyjant prie siurbimo angos (ventiliacijos langelio) prilipo drėgnas lapas ar purvas, pašalinkite juos.
9. Neplaukite įrankio aukšto slėgio vandeniu.
10. Kai plaunate įrankį, saugokite, kad vanduo nepatektų į elektrines dalis, t. y. akumuliatorių, variklį ir gnybtus.
11. Įrankio laikymo vietos neturėtų pasiekti tiesioginiai saulės spinduliai ir lietus; laikykite ten, kur jis nesušlaps ir neįkais.
12. Atlikite patikrinimą ar techninę priežiūrą ten, kur galima išvengti lietaus.
13. Baigę naudoti įrankį, prieš statydami jį sandėliuoti, pašalinkite prikibusius nešvarumus ir visiškai išdžiovinkite įrankį. Priklausomai nuo sezono arba regiono, dėl užšalimo mašina gali sugesti.
14. Negalima šlapinti akumuliatoriaus gnybto skysčiu, pvz., vandeniu, arba panardinti akumuliatoriaus. Nepalikite akumuliatoriaus lietuje, neįkraukite, nenaudokite ir nekeiskite akumuliatoriaus šlapioje arba drėgnoje vietoje. Jei gnybtas sušlampa arba į akumuliatoriaus vidų patenka skysčio, gali kilti trumpasis akumuliatoriaus jungimas ir perkaitimo, gaisro arba sprogdimo pavojus.
15. Išėmę akumuliatorių iš įrankio arba įkroviklio, būtina uždėkite akumuliatoriaus dangtelį ant akumuliatoriaus ir laikykite jį sausoje vietoje.
16. Nekeiskite akumuliatoriaus šlapiomis rankomis.

## Papildomi įspėjimai dėl saugos

1. Laikykitės vietinės vandentiekio bendrovės reikalavimų.
2. Su šiuo prietaisu nenaudokite laidinio maitinimo šaltinio, pvz., akumuliatoriaus adapterio arba nešiojamojo maitinimo šaltinio. Tokio maitinimo šaltinio kabelis gali trukdyti dirbti ir dėl to galima susižaloji.

## SAUGOKITE ŠIAS INSTRUKCIJAS.

**▲ ĮSPĖJIMAS:** NELEISKITE, kad patogumas ir gaminio pažinimas (įgyjamas pakartotinai naudojant) susilpnintų griežtą saugos taisyklių, taikytinų šiam gaminiui, laikymąsi.

Dėl NETINKAMO NAUDOJIMO arba saugos taisyklių, kurios pateiktos šioje instrukcijoje, nesilaikymo galima rimtai susižeisti.

## Svarbios saugos instrukcijos, taikomos akumuliatoriaus kasetei

1. Prieš naudodami akumuliatoriaus kasetę, perskaitykite visas instrukcijas ir perspėjimus ant (1) akumuliatorių įkroviklio, (2) akumuliatorių ir (3) akumuliatorių naudojančio gaminio.
2. Neardykite akumuliatoriaus kasetės.
3. Jei įrankio darbo laikas žymiai sutrumpėjo, nedelsdami nutraukite darbą su įrankiu. Tai gali kelti perkaitimo, nudegimų ar net sprogdimo pavojų.
4. Jei elektrolitas pateko į akis, plaukite jas tyru vandeniu ir nedelsdami kreipkitės į gydytoją. Gali kilti regėjimo praradimo pavojus.
5. Neužtrūpinkite akumuliatoriaus kasetės:
  - (1) Nelieskite kontaktų degiomis medžiagomis.
  - (2) Venkite laikyti akumuliatoriaus kasetę kartu su kitais metaliniais daiktais, pavyzdžiui, vinimis, monetomis ir pan.
  - (3) Saugokite akumuliatoriaus kasetę nuo vandens ir lietaus.Trumpasis jungimas akumuliatoriuje gali sukelti stiprią srovę, perkaitimą, galimus nudegimus ar net akumuliatoriaus gedimą.
6. Nelaikykite įrankio ir akumuliatoriaus kasetės vietoje, kur temperatūra gali pasiekti ar viršyti 50 °C.
7. Nedeginkite akumuliatoriaus kasetės, net jei yra stipriai pažeista ar visiškai susidėvėjusi. Ugnyje akumuliatoriaus kasetė gali sprogti.
8. Saugokite akumuliatorių nuo kritimo ir smūgių.
9. Nenaudokite pažeisto akumuliatoriaus.
10. Įdėtosmi ličio jonų akumuliatoriams taikomi Pavojingų prekių teisės akto reikalavimai. Komercinis transportas, pvz., trečiųjų šalių, prekių vežimo atstovų, turi laikytis specialaus reikalavimo ant pakuotės ir ženkinimo. Norėdami paruošti siųstiną prekę, pasitarkite su pavojingų medžiagų specialistu. Be to, laikykitės galimai išsamesnių nacionalinių reglamentų. Užklijuokite juosta arba padenkite atvirus kontaktus ir supakuokite akumuliatorių taip, kad jį pakuotėje nejudėtų.
11. Kai išmetate akumuliatoriaus kasetę, išimkite ją iš įrankio ir išmeskite saugioje vietoje. Vadovaukitės vietos reglamentas dėl akumuliatorių išmetimo.
12. Baterijas naudokite tik su „Makita“ nurodytais gaminiams. Baterijas įdėjus į netinkamus gaminius gali kilti gaisras, gaminys pernelyg kaisti, kilti sprogdimas arba pratekėti elektrolitas.
13. Jei įrankis bus ilgą laiką nenaudojamas, akumuliatorių būtina išimti iš įrankio.

## SAUGOKITE ŠIAS INSTRUKCIJAS.

**▲ PERSPĖJIMAS:** Naudokite tik originalų „Makita“ akumuliatorių. Neoriginalaus „Makita“ arba pakeisto akumuliatoriaus naudojimas gali nulemti gaisrą, asmens sužalojimą ir pažeidimą. Tai taip pat panaikina „Makita“ suteikiamą „Makita“ įrankio ir įkroviklio garantiją.

## Patarimai, ką daryti, kad akumuliatorius veiktų kuo ilgiau

1. Pakraukite akumuliatoriaus kasetę prieš jai visiškai išsikraunant. Visuomet nustokite naudoti įrankį ir pakraukite akumuliatoriaus kasetę, kai pastebite, kad įrankio galia sumažėjo.
2. Niekada nekraukite iki galo įkrautos akumuliatoriaus kasetės. Perkraunant trumpėja akumuliatoriaus eksploatacijos laikas.
3. Akumuliatoriaus kasetę kraukite esant kambario temperatūrai 10 - 40 °C. Prieš pradėdami krauti, leiskite įkaitusiai akumuliatoriaus kasetei atvėsti.
4. Įkraukite akumuliatoriaus kasetę, jei jos nenaudojate ilgą laiką (ilgiau nei šešis mėnesius).

## VEIKIMO APRAŠYMAS

**▲ PERSPĖJIMAS:** Prieš pradėdami reguliuoti arba tikrinti įrankio veikimą, visuomet būtinai išjunkite įrankį ir išimkite akumuliatoriaus kasetę.

## Akumuliatoriaus kasetės uždėjimas ir nuėmimas

**▲ PERSPĖJIMAS:** Prieš įdėdami arba išimdami akumuliatoriaus kasetę, visada išjunkite įrankį.

**▲ PERSPĖJIMAS:** Įdėdami arba išimdami akumuliatoriaus kasetę, tvirtai laikykite įrankį ir akumuliatoriaus kasetę. Jeigu įrankį ir akumuliatoriaus kasetę laikysite netvirtai, jie gali išslysti iš jūsų rankų, todėl įrankis ir akumuliatoriaus kasetė gali būti sugadinti, o naudotojas sužalotas.

Norėdami įdėti akumuliatoriaus kasetę, stumdami fiksavimo svirtelę atidarykite dangtį. Sulygiuokite liežuvelį ant akumuliatoriaus kasetės su grioveliu korpuse ir įstumkite jį į ai skirtą vietą. Įdėkite iki galo, kol spragtelėdama užsikisus. Jeigu matote raudoną indikatorių viršutinėje mygtuko pusėje, ji nėra visiškai užfiksuota. Įdėję arba išėmę akumuliatoriaus kasetes, būtinai uždarykite dangtį.

► **Pav.1:** 1. Dangtis 2. Fiksavimo svirtelė

Norėdami išimti akumuliatoriaus kasetes, spausdami akumuliatoriaus kasetės priekyje esantį mygtuką, ją pakelkite.

► **Pav.2:** 1. Raudonas indikatorius 2. Mygtukas 3. Akumuliatoriaus kasė

**▲ PERSPĖJIMAS:** Akumuliatoriaus kasetę visada įkiškite iki galo, kol nebematysite raudono indikatoriaus. Priešingu atveju ji gali atsistiktinai iškristi iš įrankio, sužeisti jus arba aplinkinius.

**▲ PERSPĖJIMAS:** Nekiškite akumuliatoriaus kasetės jėga. Jeigu kasė sunkiai lenda, ją kišate netinkamai.

**▲ PERSPĖJIMAS:** Prieš naudodami būtinai užfiksuokite dangtį.

## Įrankio / akumuliatoriaus apsaugos sistema

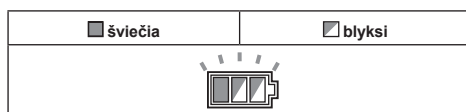
Įrankyje įrengta įrankio / akumuliatoriaus apsaugos sistema. Ši sistema automatiškai atjungia variklio maitinimą, kad įrankis ir akumuliatorius ilgiau veiktų. Įrankis automatiškai išsijungs darbo metu esant vienai iš toliau nurodytų įrankio arba akumuliatoriaus darbo sąlygų:

## Apsauga nuo perkrovos

Akumuliatorių naudojant taip, kad susidaro neįprastai aukšta srovė, nepateikiant jokios indikacijos, įrankis automatiškai sustabdomas. Tokiu atveju išjunkite įrankį ir nutraukite darbą, dėl kurio įrankis buvo perkrautas. Tada įjunkite įrankį, kad jis būtų paleistas iš naujo.

## Apsauga nuo perkaitimo

Įrankiui perkaitus, jis automatiškai išsijungia ir žybsi akumuliatoriaus indikatorius. Tokiu atveju palaukite, kol įrankis atvės, paskui vėl jį įjunkite.



## Apsauga nuo visiško išsekvojimo

Kai akumuliatoriaus įkrovos lygis nepakankamas, įrankis automatiškai išsijungia. Tokiu atveju ištraukite akumuliatorių iš įrankio ir įkraukite jį.

## Likusios akumuliatoriaus galios rodymas

**Tik akumuliatoriaus kasetėms su indikatoriumi**

► **Pav.3:** 1. Indikatorių lemputės 2. Tikrinimo mygtukas

Paspauskite akumuliatoriaus kasetės tikrinimo mygtuką, kad būtų rodoma likusi akumuliatoriaus energija. Maždaug trims sekundėms užsidegs indikatorių lemputės.

Indikatorių lemputės			Likusi galia
Šviečia	Nešviečia	Blyksti	
■	□	▣	75 - 100 %
■	■	□	50 - 75 %
■	■	□	25 - 50 %
■	□	□	0 - 25 %
▣	□	□	Įkraukite akumuliatorių.
■	■	□	Galimai įvyko akumuliatoriaus veikimo triktis.
□	□	■	

**PASTABA:** Rodmuo gali šiek tiek skirtis nuo faktinės energijos lygio – tai priklauso nuo naudojimo sąlygų ir aplinkos temperatūros.

## Likusios akumulatoriaus galios rodymas

**PASTABA:** Akumulatoriaus indikatorius nešviečia, kai maitinimo jungiklis yra nustatytas į padėtį OFF (išjungtas). Norėdami patikrinti likusią akumulatoriaus galią, maitinimo jungiklį pasukite į didelio arba mažo slėgio režimą.

Paspauskite tikrinimo mygtuką, kad būtų rodoma likusi akumulatoriaus energija. Akumuliatorių indikatoriai parodo atitinkamo akumulatoriaus galią.

► **Pav.4:** 1. Akumulatoriaus indikatorius 2. Tikrinimo mygtukas

Akumulatoriaus indikatoriaus būsena			Likusi akumuliatorių galia
Šviečia	Nešviečia	Blyksi	
			50–100 %
			20–50 %
			0–20 %
			Įkraukite akumuliatorių

## Maitinimo jungiklis

**PASTABA:** Nesukite maitinimo jungiklio per jėgą. Jungiklis gali sugesti.

Pasukite maitinimo jungiklį pagal laikrodžio rodyklę arba prieš ją, atsižvelgdami į slėgio lygį. Sukite maitinimo jungiklį pagal laikrodžio rodyklę, kad įjungtumėte didelio slėgio režimą, arba prieš laikrodžio rodyklę, kad įjungtumėte mažo slėgio režimą.

► **Pav.5:** 1. Mažo slėgio režimas 2. OFF (IŠJUNGIMO) padėtis 3. Didelio slėgio režimas

**PASTABA:** Maitinimo jungiklį jungiant į didelio arba mažo slėgio režimą, akumulatoriaus indikatorius kelioms sekundėms užsidegs.

## Antgalio funkcijos

**PASTABA:** Kiekvienoje šalyje standartiniai antgaliai gali skirtis. Norėdami sužinoti apie kitus antgalius, taip pat žr. straigų PASIRENKAMIEJI PRIEDAI.

## Pulverizatorius

*Tai priklauso nuo šalies*

► **Pav.6**

Čiurkšlės plotį galima reguliuoti nuo 0° iki 25°, sukant antgalio priekinį galą.

**▲PERSPĖJIMAS:** Kai reguliuojate čiurkšlės plotį, nesukite antgalio, traukdami jį paleidimo įtaiso link. Antgalis gali nulėkti nuo paleidimo įtaiso ir sužaloti.

## Nešvarumų pūstuvai

*Tai priklauso nuo šalies*

► **Pav.7**

Išpurškia spiraline čiurkšle. Tinka įsisenėjusiems nešvarumams pašalinti.

**PASTABA:** Nenaudokite nešvarumų pūstuvo trapiems paviršiams, pavyzdžiui, langams ar automobilių kėbulams, valyti.

## Paleidimo įtaiso operacijos

Patraukite paleidimo įtaisą, kad būtų išpurkšta vandens čiurkšlė. Čiurkšlė purškia, kol spaudžiamas paleidimo įtaisas.

Paleidimo įtaisą galima užblokuoti, kad jį būtų saugu naudoti. Norėdami užblokuoti paleidimo įtaisą, ištraukite stabdiklį ir užkabinkite jį griovelyje ant rankenėlės.

► **Pav.8:** 1. Gaidukas 2. Stabdiklis 3. Griovelis

**PASTABA:** Visuomet palikite dviejų sekundžių intervalą tarp paleidimo įtaiso operacijų, kad išvengtumėte slėgio jungiklio mechaninės klaidos.

## Apsauginis vožtuvas

Šiame prietaise yra apsauginis vožtuvas, apsaugantis nuo nereikalingo viršslėgio. Kai paleidimo įtaisas atleidžiamas, vožtuvas atsidaro ir vanduo cirkuliuoja per siurblio įleidimo angą.

**▲PERSPĖJIMAS:** Nekeiskite ir nereguliuokite apsauginio vožtuvo nuostatos.

## Vandens tiekimas iš bakelio ir (arba) rezervuaro

Jūs galite vandenį tiekti iš bakelio ar rezervuaro, o ne iš čiaupo.

Vandens žarnos jungtį pakeiskite siurbimo žarnos komplektu. Jungdami siurbimo žarnos komplektą, nuo žarnos atjunkite filtrą ir jį prijunkite prie aukšto slėgio plovimo aparato angos. Paskui prie filtro prijunkite žarną.

**PASTABA:** Atjungdami / prijungdami žarną nuo filtro / prie jo, pasukite įvorę, žarną laikydami taip, kad ji nesisuktų su įvore.

► **Pav.9:** 1. Bakelis ir (arba) rezervuaras 2. Siurbimo žarnos komplektas 3. Vandens žarnos jungtis 4. Žarna 5. Filtro dėklas 6. Aukšto slėgio plovimo aparato įleidimo anga 7. Žarnos tvirtinimo juostelė 8. Įvorė

**▲PERSPĖJIMAS:** Prijungdami įvorę prie filtro, būkite atsargūs, kad nesusižalotumėte rankos žarnos tvirtinimo juostele.

**PASTABA:** Visada naudokite „Makita“ siurbimo žarnos komplektą.

**PASTABA:** Tarp aukšto slėgio plovimo aparato angos ir vandens paviršiaus visada turi būti išlaikytas 1 m (3,28 pėd.) arba mažesnis aukštis. Priešingu atveju aukšto slėgio plovimo aparatas negalės paimti vandens į siurbį.

Norėdami, kad vandens patektų į žarną, nuimkite antgalį nuo paleidimo įtaiso ir įjunkite aukšto slėgio plovimo aparatą, spausdami paleidimo įtaisą. Kai vanduo stabiliai purškiamas iš paleidimo įtaiso, atleiskite jį ir pritvirtinkite norimos paskirties antgalį.

► **Pav.10:** 1. Paleidimo įtaisas

**PASTABA:** Kai vanduo nepurškiamas, nuimkite siurbimo žarnos komplektą ir pamerkite į vandenį. Tuomet vėl prijunkite prie aukšto slėgio plovimo aparato.

► **Pav.11:** 1. Siurbimo žarnos komplektas

## Kai indas naudojamas vietoj vandens bakelio

Vietaj vandens bakelio galite naudoti kartu su aukšto slėgio plovimo aparatu pateikiamą indą (priklauso nuo šalies).

1. Ištuštinkite indą ir prileiskite vandens.

► **Pav.12:** 1. Pilno indo vandens lygio brūkšnelis

**PASTABA:** Neprileiskite vandens virš pilno indo vandens lygio brūkšnelio.

**PASTABA:** Indo dangtis užsidaro nelabai sandariai. Būkite atsargūs, kad indą nešdami neišlietumėte vandens.

2. Nuimkite filtrą nuo siurbimo žarnos komplekto.

► **Pav.13:** 1. Žarna 2. Filtro dėklas

3. Nuo vandens įpylimo angos nuimkite dangtelį ir pro šią angą, kaip pavaizduota paveikslėlyje, prakiškite siurbimo žarną.

► **Pav.14:** 1. Dangtelis 2. Dangtelio laikiklis  
3. Vandens įpylimo anga 4. Siurbimo žarnos komplektas

**PASTABA:** Vandens įpylimo angos dangtelį galima uždėti ant dangtelio laikiklio.

4. Nuo aukšto slėgio plovimo aparato angos atjunkite vandens žarnos jungtį. Tada prijunkite filtrą prie angos, o žarną – prie filtro.

► **Pav.15:** 1. Aukšto slėgio plovimo aparato anga  
2. Filtro dėklas 3. Vandens žarnos jungtis  
4. Žarna

5. Uždėkite aukšto slėgio plovimo aparatą ant indo taip, kad jis sukibtų su indo dangčio fiksatoriais.

► **Pav.16:** 1. Aukšto slėgio plovimo aparatas  
2. Dangtis 3. Oro išleidimo anga

**PASTABA:** Kai nešate indą, būkite atsargūs.

Nešant indą su aukšto slėgio plovimo aparatu ir priedais arba vandeniu viduje dėl svorio gali įvykti nelaimingas atsitikimas arba galima susižaloti.

**PASTABA:** Nešdami indą, jo nepurtykite, neapverskite arba labai nepaverskite. Taip darant gali:

- išsilieti viduje esantis vanduo;
- nuo indo dangčio nukristi aukšto slėgio plovimo aparatas; arba
- strigti indo ratukai.

**PASTABA:** Kai nešate indą už rankenos, jeigu viduje yra daug vandens, jis gali išsilieti.

**PASTABA:** Iš oro išleidimo angos gali ištekti vanduo, jei pakreipus indą viduje esantis vanduo pasiekia oro išleidimo angą.

**PASTABA:** Nelipkite ant indo. Galite sulaužyti dangtį.

**PASTABA:** Ilgam nepalikite talpyklos, pripildę vandens. Antraip talpykla gali būti pažeista ir atsiras vandens nuotėkis.

Pasinaudoję, atlikite toliau aprašytus veiksmus:

1. Nuo išleidimo nagos nuimkite dangtelį ir išleiskite vandenį.

► **Pav.17:** 1. Išleidimo anga

2. Paskui indo vidų sausai išvalykite šluoste.

**PASTABA:** Nepalikite aukšto slėgio plovimo aparato ir priedų, jei jų vidus vis dar drėgnas. Dėl drėgmės aparatas gali sugesti arba surūdėti.

## SURINKIMAS

**⚠PERSPĖJIMAS:** Prieš darydami ką nors įrankiui visada patikrinkite, ar įrenginys išjungtas, o akumuliatorių kasetė – nuimta.

## Aukšto slėgio žarnos prijungimas

Prijunkite aukšto slėgio žarną prie išleidimo angos (su pistoleto žyma). Sukite veržlę, esančią ant aukšto slėgio žarnos, pagal laikrodžio rodyklę, sukdami ją ant išleidimo varžto sriegio.

► **Pav.18:** 1. Išleidimo anga 2. Veržlė

**⚠PERSPĖJIMAS:** Patikrinkite, ar aukšto slėgio žarna yra saugiai prijungta. Jeigu jungtis laisva, aukšto slėgio žarna gali nušokti ir sužaloti.

## Paleidimo įtaiso tvirtinimas

Prijunkite aukšto slėgio žarną prie įleidimo angos ant paleidimo įtaiso. Sukite veržlę, esančią ant aukšto slėgio žarnos, pagal laikrodžio rodyklę, sukdami ją ant įleidimo varžto sriegio.

► **Pav.19:** 1. Įleidimo anga 2. Veržlė

**⚠PERSPĖJIMAS:** Patikrinkite, ar aukšto slėgio žarna yra saugiai prijungta. Jeigu jungtis laisva, aukšto slėgio žarna gali nušokti ir sužaloti.

## Prijungimas prie čiaupo

**▲PERSPĖJIMAS:** Visada naudokite 13 mm arba didesnio skersmens slėgiui atsparią vandens žarną, o prie čiaupo jungkite naudodami atitinkamas tvirtinimo detales. Priešingu atveju gali trūkti vandens žarna ir (arba) sulūžti tvirtinimo detalės ir jus sužaloti.

**PASTABA:** Naudokite kuo trumpesnę slėgiui atsparią vandens žarną. Vandens turi patekti daugiau nei maksimalus siurblio tiekimo tūris.

**PASTABA:** Jeigu prijungsite prie geriamojo vandens vandentiekio, naudokite atbulinį vožtuvą, atitinkantį Jūsų regiono taisykles.

Paruoškite slėgiui atsparią vandens žarną. Prie vieno galo prijunkite jungiamąją movą, o kitą galą prijunkite prie čiaupo, kaip nurodyta toliau.

1. Nuimkite veržlę nuo jungiamosios movos ir prakiškite slėgiui atsparią žarną pro veržlę. Įkiškite žarnos galą į jungiamąją movą ir tuomet priveržkite veržlę.

- **Pav.20:** 1. Slėgiui atspari vandens žarna  
2. Jungiamosios movos veržlė  
3. Jungiamoji mova

**PASTABA:** Jei slėgiui atsparią vandens žarną prie čiaupo norite prijungti naudodami jungiamąją movą, paruoškite kitą jungiamąją movą ir ją pritvirtinkite prie kito žarnos galo.

2. Prijunkite slėgiui atsparią vandens žarną prie čiaupo. Naudokite tinkamą tvirtinimo detalę, pavyzdžiui, žarnos tvirtinimo juostelę ar vandens čiaupo jungtį, žarnos galui pritvirtinti prie čiaupo.

- **Pav.21:** 1. Žarnos tvirtinimo juostelė 2. Vandens čiaupo jungtis 3. Slėgiui atspari vandens žarna

**PASTABA:** Naudojama tvirtinimo detalė priklausys nuo čiaupo, prie kurio norite prijungti, formos. Paruoškite tinkamą parduotuvėje įsigytą tvirtinimo detalę.

3. Prijunkite vandens žarnos jungtį prie įleidimo angos (su čiaupo žyma) ir tuomet įkiškite jungiamąją movą.

- **Pav.22:** 1. Jungiamoji mova 2. Vandens žarnos jungtis 3. Aukšto slėgio plovimo aparato įleidimo anga

## Antgalio prijungimas ir (arba) atjungimas

**▲PERSPĖJIMAS:** Uždėdami arba nuimdami antgalį, visada užfiksuokite paleidimo įtaiso gaiduką.

Antgalio galą įkiškite į paleidimo įtaiso angą ir pasukite rodyklės kryptimi, kaip pavaizduota paveikslėlyje. Norėdami antgalį nuimti, spausdami jį paleidimo įtaiso link, pasukite priešinga kryptimi.

- **Pav.23:** 1. Paleidimo įtaisas 2. Lizdas 3. Antgalio galas

## Putų antgalio prijungimas

### Pasirenkamas priedas

**▲PERSPĖJIMAS:** Uždėdami arba nuimdami antgalį, visada užfiksuokite paleidimo įtaiso gaiduką.

Prieš naudodami putų antgalį, pasiruoškite ploviklį.

1. Nuimkite antgalį nuo bakelio, pasukdami antgalį prieš laikrodžio rodyklę. Pritvirtinkite antgalį prie paleidimo įtaiso.

- **Pav.24:** 1. Antgalis 2. Paleidimo įtaisas

2. Įpilkite ploviklio į bakelį ir sumontuokite jį prie antgalio.

- **Pav.25:** 1. Bakelis

**PASTABA:** Visada naudokite neutralų ploviklį. Rūgštinis ar šarminis ploviklis gali sugadinti bakelį ar antgalį.

## Plastikinio dėklo uždėjimas ant indo

### Pasirenkamas priedas

Ant indo viršaus galite uždėti „Makita“ plastikinį dėklą. Uždėkite plastikinį dėklą ant indo taip, kad jis prisitvirtintų prie indo dangčio fiksatorių.

- **Pav.26:** 1. Plastikinis dėklas 2. Fiksatorius

## Indo uždėjimas ant vežimėlio

### Pasirenkamas priedas

Gabendami indą „Makita“ vežimėliu, pastatykite indą į reikiamą padėtį. Įsitinkinkite, kad indo dugnas telpa į vežimėlio platformą.

- **Pav.27:** 1. Indo dugno paviršius 2. Vežimėlio platforma

**▲PERSPĖJIMAS:** Kai naudojate vežimėlį, negabenkite indo, pripildyto vandens. Priešingu atveju galite prarasti pusiausvyrą ir susižaloti arba indas gali deformuotis, dėl to vanduo gali pratekėti.

## NAUDOJIMAS

**▲JSPĖJIMAS:** Nelieskite vandens čiurkšlės ir nenukreipkite jos savęs ar kitų žmonių link. Vandens čiurkšlė yra pavojinga ir gali sužeisti Jus ar kitus asmenis.

**▲JSPĖJIMAS:** Kai purškiate vandens čiurkšlę, niekada nelaikykite valomo daikto ir nedėkite savo rankų ir kojų arti vandens čiurkšlės.

**▲ PERSPĖJIMAS:** Saugokitės nuo paviršių trykštancio vandens čiurkšlės ir nupusių daiktų. Antgalį nuo daiktų laikykite ne arčiau kaip 30 cm atstumu .

**▲ PERSPĖJIMAS:** Nelaikykite įjungto aukšto slėgio plovimo aparato be vandens ilgiau kaip 1 minutę.

**▲ PERSPĖJIMAS:** Ilgai nenaudokite aukšto slėgio plovimo aparato. Tai gali sukelti perkaitimą ar gaisrą. Taip pat dėl ilgalaikio naudojimo gali atsirasti vibracijos sutrikimas.

**▲ PERSPĖJIMAS:** Žinokite vėjo kryptį. Jeigu ploviklio patektų į akis ar burną, skubiai plaukite švairiu vandeniu ir, jeigu reikia, kreipkitės į medikus.

**PASTABA:** Stenkitės nenaudoti aukšto slėgio plovimo aparato ilgiau kaip vieną valandą. Panaudoję 1 valandą, padarykite tokios pačios trukmės pertrauką.

**PASTABA:** Norėdami mechanizmą apsaugoti nuo aukšto slėgio plovimo aparato, nenaudokite karštesnio nei 40 °C vandens.

1. Vieną aukšto slėgio žarną prijunkite prie paleidimo įtaiso, o kitą – prie aukšto slėgio plovimo aparato.

2. Aukšto slėgio plovimo aparatą vandens žarna prijunkite prie čiaupo. Paskui atsukite čiaupą.

► Pav.28

3. Atidarykite dangtį ir į aukšto slėgio plovimo aparatą įdėkite akumuliatoriaus kasetes. Paskui užfiksuokite dangtį.

► Pav.29: 1. Akumuliatoriaus kasetė 2. Dangtis

4. Pasukite maitinimo jungiklį į norimą režimą.

► Pav.30: 1. Mažo slėgio režimas 2. OFF (IŠJUNGIMO) padėtis 3. Didelio slėgio režimas

5. Norėdami išpurkšti vandens čiurkšlę, atblokuokite stabdiklį ir suspauskite paleidimo įtaisą. Čiurkšlė purškama, kol spaudžiamas paleidimo įtaisas.

► Pav.31: 1. Stabdiklis

**▲ PERSPĖJIMAS:** Tvirtai laikykite paleidimo įtaisą. Kai paspaudžiate gaiduką, paleidimo įtaisas atšoka.

**▲ PERSPĖJIMAS:** Bėgant vandens čiurkšlei, paleidimo įtaisą visada laikykite už rankenos ir įtaiso vamzdžio.

**PASTABA:** Būkite atsargūs ir dirbdami netraukite paleidimo įtaiso per jėgą. Aukšto slėgio plovimo aparatas gali nuvirsti.

Kai nutraukiate darbą, laikinai paleidimo įtaisą galite nustatyti taip, kaip parodyta paveikslėlyje.

► Pav.32

## Po naudojimo

**▲ PERSPĖJIMAS:** Pasinaudoję aukšto slėgio plovimo aparatu, visada atlikite šioje instrukcijoje nurodytus veiksmus. Liekamasis slėgis paleidimo įtaise arba aukšto slėgio plovimo aparate gali jus sužaloti arba sugadinti viduje esantį siurbį.

1. Išjunkite aukšto slėgio plovimo aparatą.

2. Užsukite čiaupą ir atjunkite vandens žarną nuo aukšto slėgio plovimo aparato.

► Pav.33

3. Vėl įjunkite aukšto slėgio plovimo aparatą.

4. Spauskite gaiduką, kol bus išleistas likęs vanduo iš aukšto slėgio plovimo aparato.

► Pav.34

**PASTABA:** Variklio nelaikykite įjungto ilgiau kaip 1 minutę.

5. Išjunkite aukšto slėgio plovimo aparatą ir išimkite akumuliatoriaus kasetes.

► Pav.35: 1. Maitinimo jungiklis 2. Akumuliatoriaus kasetė

6. Nuo paleidimo įtaiso ir aukšto slėgio plovimo aparato atjunkite aukšto slėgio žarną.

► Pav.36: 1. Paleidimo įtaisas 2. Aukšto slėgio žarna 3. Aukšto slėgio plovimo aparatas

**PASTABA:** Prieš padėdami laikyti, išpilkite likusį vandenį iš žarnos, kad nesugadintumėte aukšto slėgio žarnos.

## TECHNINĖ PRIEŽIŪRA IR SAUGOJIMAS

**▲ PERSPĖJIMAS:** Visuomet įsitikinkite, kad įrankis yra išjungtas ir akumuliatoriaus kasetė yra nuimta, prieš atlikdami apžiūrą ir priežiūrą.

**PASTABA:** Niekada nenaudokite gazolino, benzino, tirpiklio, spirito arba panašių medžiagų. Gali atsirasti išblukimų, deformacijų arba įtrūkimų.

Kad gaminyje būtų SAUGUS ir PATIKIMAS, jį taisyti, apžiūrėti ar vykdyti bet kokią kitą priežiūrą ar derinimą turi įgaliotasis kompanijos „Makita“ techninės priežiūros centras; reikia naudoti tik kompanijos „Makita“ pagamintas atsargines dalis.

## Antgalio valymas

Naudokite valymo kaištį nešvarumams iš antgalio pašalinti arba jam atkimšti.

► Pav.37: 1. Valymo kaištis

**PASTABA:** Nešalinkite nešvarumų ar nuosėdų per jėgą. Taip galite susižaloti arba sugadinti išmetimo angą, dėl ko išmetimo kampai bus su nuokrypiais arba aparatas prastai veiks.

## Filtro valymas

Atjunkite vandens žarnos jungtį ir pašalinkite nešvarumus ir nuosėdas iš filtro vidaus.

- **Pav.38:** 1. Vandens žarnos jungtis 2. Filtras  
3. Sandarinamasis žiedas

Kai naudojate siurbimo žarnos komplektą (pasirenkamas priedas), išimkite filtrą iš jo dėklo ir pašalinkite nešvarumus ir nuosėdas.

- **Pav.39:** 1. Filtras 2. Filtro dėklas

**PASTABA:** Reguliariai valykite filtrą, kad išlaikytumėte optimalų aparato veikimą.

## Laikymas

**⚠ PERSPĖJIMAS:** Visada laikykite aparatą patalpoje, kur temperatūra nepasiekia užšalimo temperatūros. Jeigu aukšto slėgio plovimo aparatas užšąla ir sutrinka jo veikimas, kreipkitės dėl remonto į savo vietinį priežiūros centrą.

Priedus laikykite aukšto slėgio plovimo aparato šoninėje kišenėlėje.

### Laikymo pavyzdys

- **Pav.40:** 1. Aukšto slėgio žarna 2. Antgalis  
3. Paleidimo įtaisas

Jei jūsų įsigytas modelis yra su indu, aukšto slėgio plovimo aparatą ir priedus laikykite jame.

### Laikymo pavyzdys

- **Pav.41:** 1. Aukšto slėgio plovimo aparatas  
2. Antgalis 3. Paleidimo įtaisas 4. Plovimo šepetys 5. Putų antgalis 6. Aukšto slėgio žarna 7. Įkroviklis 8. Siurbimo žarnos komplektas 9. Slėgiui atspari vandens žarna

**PASTABA:** Kai kurie paveikslėlyje parodyti priedai tam tikrose šalyse tiekiami kaip pasirenkami priedai.

## GEDIMŲ ŠALINIMAS

Prieš kreipdamiesi dėl remonto darbų, pirmiausia patikrinkite gedimus patys. Kilus problemų, apie kurias nepaaiškinta vartotojo vadove, nemėginkite ardyti įrankio. Kreipkitės į įgaliotuosius „Makita“ techninės priežiūros centrus, kuriuose remontui visuomet naudojamos originalios „Makita“ keičiamosios dalys.

Neįprasta būklė	Tikėtina priežastis (triktis)	Ištaisomoji priemonė
Plovimo aparatas nepasileidžia.	Nėra elektros	Įdėkite įkrautas akumuliatoriaus kasetes.
	Jungiklis neįjungtas.	Įjunkite jungiklį.
	Siurblyje likęs slėgis	Patraukite gaiduką.
	Pažeistas akumuliatorius arba elektros grandinė	Dėl remonto kreipkitės į įgaliotąjį priežiūros centrą.
Nėra vandens čiurkšlės ir (arba) silpna vandens čiurkšlė	Netiekiamas vanduo	Patikrinkite, ar atsuktas čiaupas. Jeigu naudojate siurbimo žarnos komplektą, įleiskite vandens į žarną.
	Prastai tiekiamas vanduo	Atskukite čiaupą.
	Prastai prijungta vandens žarna	Patikrinkite aukšto slėgio plovimo aparato ir vandens čiaupo sujungimą.
	Užsikimšusi žarna, filtras ar antgalis	Atkimškite žarną, filtrą ar antgalį.
	Oras blokuoja vandens srautą.	Išjunkite jungiklį ir vėl jį įjunkite, spausdami gaiduką.
	Sugadintas ar susidėvėjęs antgalis	Pakeiskite antgalį.
	Siurblio arba vožtuvo triktis	Dėl remonto kreipkitės į įgaliotąjį priežiūros centrą.
Nepastovi vandens čiurkšlė	Užsikimšęs antgalis	Atkimškite antgalio išmetimo angą, naudodami valymo kaištį.
	Prastai siurbiamas vanduo	Patikrinkite vandens žarną, pradėdami nuo čiaupo, ar nėra nuotėkių ar užsikimšimų. Atskukite čiaupą.
	Per karštas vanduo.	Tiekite vėsesnį vandenį.
	Vožtuvo triktis	Dėl remonto kreipkitės į įgaliotąjį priežiūros centrą.
Neįprastas garsas	Per karštas vanduo.	Tiekite vėsesnį vandenį.
	Siurblyje yra įstrigusio oro.	Dėl remonto kreipkitės į įgaliotąjį priežiūros centrą.
Vandens nuotėkis	Prasta jungtis	Patikrinkite aukšto slėgio plovimo aparato, paleidimo įtaiso ir vandens čiaupo sujungimą.
	Susidėvėję sandarikliai	Dėl remonto kreipkitės į įgaliotąjį priežiūros centrą.



# PASIRENKAMI PRIEDAI

**⚠️ PERSPĖJIMAS:** Šiuos papildomus priedus arba įtaisus rekomenduojama naudoti su šioje instrukcijoje nurodytu „Makita“ bendrovės įrankiu. Naudojant bet kokius kitus papildomus priedus arba įtaisus, gali kilti pavojus sužeisti žmones. Naudokite tik nurodytam tikslui skirtus papildomus priedus arba įtaisus.

Jeigu norite daugiau sužinoti apie tuos priedus, kreipkitės į artimiausią „Makita“ techninės priežiūros centrą.

**PASTABA:** Kai kurie sąrašė esantys priedai gali būti pateikti įrankio pakuotėje kaip standartiniai priedai. Jie įvairiose šalyse gali skirtis.

## Pulverizatorius „Vario-Power“

► Pav.42

Čiurkšlės slėgį galima reguliuoti sukant antgalį.

**⚠️ PERSPĖJIMAS:** Kai reguliuojate čiurkšlės slėgį, nesukite antgalio, traukdami jį paleidimo įtaiso link. Antgalis gali nulėkti nuo paleidimo įtaiso ir sužaloti.

## Putų antgalis

*Tai priklauso nuo šalies*

► Pav.43

Ploviklis gali būti purškiamas kaip putos.

## Plovimo šepetys (ilgas)

► Pav.44

Antgalis turi šepetį. Naudinga plaunant nešvarumus pavalyti šepėčiu.

## Siurbimo žarnos komplektas

► Pav.45

Pakeiskite vandens žarną šiuo komplektu, kad vanduo būtų tiekiamas iš bakelio ar rezervuaro.

## Sukamasis plovimo šepetys

► Pav.46

Trys šepėčiai lėtai sukasi viduje, kai išpurškiama čiurkšlė. Tinka valyti nedidelius nešvarumus ant išorinių sienų, automobilio kėbulo, vonios ir pan.

## Pulverizatoriaus ilgintuvas

► Pav.47

Vamzdeliai pailgina paleidimo įtaisą. Galimi trys skirtingi ilgiai, keičiant naudojamų vamzdelių skaičių.

## Po kėbulu naudojamasis pulverizatorius

► Pav.48

Itin ilgas pulverizatorius su išlenktu antgaliu. Puikiai tinka valyti sunkiai pasiekiamas vietas, pavyzdžiui, automobilio važiuoklę ir stogo lataką.

**⚠️ PERSPĖJIMAS:** Nenaudokite po kėbulu naudojamo pulverizatoriaus su pulverizatoriaus ilgintuvu.

## Apsauga nuo aptaškymo

► Pav.49

Sumažina aptaškymą, kai valomi kampai su nešvarumų pūstuvu.

## Šarnyrinė jungtis

► Pav.50

Apsaugo aukšto slėgio žarną nuo susukimo.

## Speciali jungtis

► Pav.51

Jungtis, skirta antgaliui prijungti iš kito modelio.

Kai kuriems pasirenkamiems antgaliams reikalinga speciali jungtis (pasirenkamas priedas) paleidimo įtaisu pritvirtinti. Prijunkite specialią jungtį prie paleidimo įtaiso taip pat kaip ir antgalį.

► Pav.52: 1. Antgalis 2. Speciali jungtis 3. Paleidimo įtaisas

**PASTABA:** Speciali jungtis yra reikalinga, kai naudojami su kitu modeliu pristatomi antgaliai, HW112 arba HW121.

## Vamzdžių valymo komplektas (10 m/15 m)

► Pav.53

Santehnikai ir stogvamzdžiams valyti ir atkimšti.

**⚠️ PERSPĖJIMAS:** Naudodami vamzdžių valymo komplektą, ypatingą dėmesį atkreipkite į vandens čiurkšlę. Itin stipri vandens čiurkšlė purškia atgal. Būtinai, prieš paspausdami gaiduką, žarnos galvutę įkiškite į vamzdį.

## Ilginamoji aukšto slėgio žarna (5 m/8m/10 m)

► Pav.54

Ilginamoji žarna, jungianti aukšto slėgio plovimo aparato korpusą su paleidimo įtaisu.

## HOIATUS

- Masinaid ei tohi kasutada lapsed. Lapsed ei tohi masinaga mängida.
- Masin ei ole ette nähtud kasutamiseks füüsiliste, sensoorsete või vaimsete puuetega isikutele (k.a lapsed) ega isikutele, kellel puuduvad kogemused ja teadmised seadme ohutuks kasutamiseks.
- Masin on mõeldud kasutamiseks puhastusainega, mille tootja on kaasa andnud või soovitanud. Muude puhastusainete või kemikaalide kasutamine võib seadme ohutusele ebasoodsat mõju avaldada.
- Kõrgsurvepihustid võivad olla vale kasutamise korral ohtlikud. Pihustit ei tohi suunata inimeste, sisselülitatud elektriseadmete ega masina enda poole.
- Ärge kasutage masinat inimeste läheduses, välja arvatud juhul, kui nad kannavad kaitserõivaid.
- Ärge suunake pihustit riiete või jalatsite puhastamiseks enda või teiste poole.
- Plahvatusoht – ärge pihustage kergsüttivaid vedelikke.
- Kõrgsurve puhastusseadmeid ei tohi kasutada lapsed ega väljaõppeta personal.
- Kõrgsurvevoolikud, liitmikud ja ühendusmuhvid on olulised masina ohutuseks. Kasutage ainult tootja soovitatud voolikuid, liitmikke ja ühendusmuhve.
- Masina ohutuse tagamiseks kasutage ainult tootja originaalvaruosasid või tootja heaks kiidetud varuosasid.
- Kandke alati hoolt selle eest, et tööriist oleks enne selle reguleerimist välja lülitatud ning akukassett eemaldatud.
- Ärge kasutage masinat, kui selle olulised osad on kahjustatud, nt kaitseadmed, kõrgsurvevoolikud, pihustipüstol.
- Eemaldage akukassett iga kord, kui jätate masina järelevalveta.
- Vastake kohaliku veevarustuse ettevõtte nõuetele.
- Euroopa riikide jaoks:  
EN12729 (BA) kohaselt saab seadet ühendada peamise joogi-veevarude võrguga, kui toititoru külge on paigaldatud tagasi-voolu takistav ventiil koos äravoolusüsteemiga.

# TEHNILISED ANDMED

<b>Mudel:</b>	<b>DHW080</b>	
Max toitemaht <sup>*1</sup>	6,3 L/min	
Vee voolukiirus <sup>*2</sup>	Kõrgrežiim	5,5 L/min
	Madalrežiim	4,0 L/min
Max lubatud surve	8,0 MPa	
Tõosurve <sup>*2</sup>	Kõrgrežiim	5,5 MPa
	Madalrežiim	3,0 MPa
Max toitesurve	1,0 MPa	
Max toite temperatuur	40 °C	
Max imemiskõrgus	1 m	
Nimipinge	Alalisvool 36 V	
Mõõtmed (P × L × K)	438 mm × 218 mm × 269 mm	
Kaal	7,1 - 7,7 kg	

\*1: Kasutades pesemisharja.

- Meie pideva uuringu- ja arendusprogrammi tõttu võidakse tehnilisi andmeid muuta ilma sellest ette teatamata.
- Tehnilised andmed võivad riigiti erineda.
- Kaal võib erineda olenevalt lisaseadistest, kaasa arvatud akukassetist. Kergeim ja raskeim kombinatsioon EPTA-protseduuri 01/2014 kohaselt on toodud tabelis.

\*2: Kasutades pihustitoru.

## Sobiv akukasset ja laadija

Akukasset	BL1815N / BL1820 / BL1820B / BL1830 / BL1830B / BL1840 / BL1840B / BL1850 / BL1850B / BL1860B
Laadija	DC18RC / DC18RD / DC18RE / DC18SD / DC18SE / DC18SF / DC18SH

- Mõned eespool loetletud akukassetid ja -laadijad ei pruugi olla teie riigis saadaval.

**⚠ HOIATUS:** Kasutage ainult ülalpool loetletud akukasseid ja laadijaid. Muude akukassetide ja laadijate kasutamine võib tekitada vigastusi ja/või tulekahju.

## Sümbolid

Alljärgnevalt kirjeldatakse seadmetel kasutatavaid tingimärke. Veenduge, et olete nende tähendusest aru saanud enne seadme kasutamist.



Lugege juhendit.



Olge äärmiselt ettevaatlik ja tähelepanelik.



Ni-MH  
Li-ion

Ainult EL-i riikide puhul  
Ärge visake elektriseadmeid ja akusid ära koos majapidamisjäätmetega!  
Vastavalt Euroopa Parlamendi ja Nõukogu direktiividele elektri- ja elektroonikaseadmete jäätmete kohta ning patareide ja akude ning patarei- ja akujäätmete kohta ning nende nõuete kohaldamisele liikmesriikides tuleb kasutuskõlbmatuks muutunud elektriseadmed ja akud koguda eraldi ning keskkonnasäästlikult korduv kasutada või ringlusse võtta.



Ärge ühendage joogiveekraaniga.



Ärge suunake pihustit inimeste, sh iseenda, loomade ja sisselülitatud elektriseadmete poole.

## Kavandatud kasutus

See tööriist on mõeldud kangekaelse mustuse eemaldamiseks veepihusti abil. Tööriist on mõeldud kasutamiseks majapidamistöodes.

## Müra

Tüüpiline A-korrigeeritud müratase, määratud standardi EN60335-2-79 kohaselt:

Helirõhutase ( $L_{pA}$ ): 70,9 dB (A)

Määramatus (K): 3,6 dB (A)

Töötamisel võib müratase ületada 80 dB (A).

**MÄRKUS:** Deklareeritud müra väärtust (väärtuseid) on mõõdetud kooskõlas standardse katsemeetodiga ning seda võib kasutada ühe seadme võrdlemiseks teisega.

**MÄRKUS:** Deklareeritud müra väärtust (väärtuseid) võib kasutada ka mürataseme esmaseks hindamiseks.

**⚠️HOIATUS:** Kasutage kõrvakaitsmeid.

**⚠️HOIATUS:** Müratase võib elektritööriista tegelikkuses kasutamise ajal erineda deklareeritud väärtus(t)est olenevalt tööriista kasutusviisidest ja eriti töödeldavast toorikust.

**⚠️HOIATUS:** Rakendage operaatori kaitsmiseks kindlasti piisavaid ohutusabinõusid, mis põhinevad hinnangulisel müratasemel tegelikus töösihtuatsioonis (võttes arvesse tööperioodi kõiki osasid, näiteks korrad, kui seade lülitatakse välja ja seade töötab tühikäigul, lisaks tööajale).

## Vibratsioon

Vibratsiooni koguväärtus (kolmeteljeliste vektorite summa) määratud standardi EN60335-2-79 kohaselt: Vibratsioonihinde ( $a_h$ ): 2,5 m/s<sup>2</sup> või vähem  
Määramatus (K): 1,5 m/s<sup>2</sup>

**MÄRKUS:** Deklareeritud vibratsiooni koguväärtust (-väärtuseid) on mõõdetud kooskõlas standardse katsemeetodiga ning seda võib kasutada ühe seadme võrdlemiseks teisega.

**MÄRKUS:** Deklareeritud vibratsiooni koguväärtust (-väärtuseid) võib kasutada ka mürataseme esmaks hindamiseks.

**⚠️HOIATUS:** Vibratsioonitase võib elektritööriista tegelikkuses kasutamise ajal erineda deklareeritud väärtus(t)est olenevalt tööriista kasutusviisidest ja eriti töödeldavast toorikust.

**⚠️HOIATUS:** Rakendage operaatori kaitsmiseks kindlasti piisavaid ohutusabinõusid, mis põhinevad hinnangulisel müratasemel tegelikus töösihtuatsioonis (võttes arvesse tööperioodi kõiki osasid, näiteks korrad, kui seade lülitatakse välja ja seade töötab tühikäigul, lisaks tööajale).

## EÜ vastavusdeklaratsioon

*Ainult Euroopa riikide puhul*

EÜ vastavusdeklaratsioon sisaldub käesoleva juhendi Lisas A.

## TÄHTSAD OHUTUSHOIATUSED

**⚠️HOIATUS:** Lugege läbi kõik ohutushoiatused ja juhtnõõrid. Hoiatuste ja juhtnõõride mittejärgmine võib põhjustada elektrišokki, tulekahju ja/või tõsised vigastusi.

## Hoidke edaspidisteks viide- teks alles kõik hoiatused ja juhtnõõrid.

**HOIATUS** – Selle toote kasutamisel tuleb alati järgida elementaarseid ettevaatusabinõusid, sealhulgas järgmisi:

### Tööpiirkonna ohutus

1. Hoidke inimesed tööpiirkonnast eemal.
2. Ärge kummarduge üle ebastabiilsete tugede ega seiske nende peal. Hoidke jalad kogu aeg kindlalt maas ja hoidke tasakaalu.
3. Asetage kõrgsurvepesuri kere tasasele ja stabiilsele pinnale. Vältige alasid, kus väljuv vesi pääseb jooksma või koguneb.
4. Enne puhastamist kontrollige ümbrust ja puhastatavaid esemeid. Kõrgsurvepihustid võivad maha kraapida värvi või muud pinnatöötlusvahendid, sealhulgas mürgised kemikaalid. Vajaduse korral võtke ennetavad meetmed.
5. Olge ettevaatlik, et mitte kõrgsurvepesuri vooliku otsa komistada. Olge töötamise ajal alati teadlik kõrgsurvepesuri seadistusest.
6. Kasutamise ajal tuleb kõrgsurvepesuri alumisest osast välja väike kogus vett. Vältige kõrgsurvepesuri paigutamist piirkondadesse, mille märjaks saamist te ei soovi.

### Isiklik ohutus

1. Pihusti ja pihusti kõrval olevate esemete vastu kaitsmiseks peaksid operaatorid kandma sobivaid rõivaid, näiteks turvasaapaid, turvakindaid, näovarjuga kiivrit, kõrvakaitsset jne.
2. Ärge kasutage kõrgsurvepesurit inimeste läheduses, välja arvatud juhul, kui nad kannavad kaitsereivaid.
3. Vigastuste ohu vähendamiseks on toote kasutamisel laste läheduses vajalik hoolikas järelevalve.
4. Joogivesüsteemiga ühendamisel tuleb süsteemi kaitsa tagasivoolu eest.
5. Vesi, mis on voolanud läbi tagasivoolukaitse, ei ole joogikõlblik.

### Elektriohutus

1. Ärge kunagi katsuge akukassetti märgade kätega.
2. Ärge kasutage masinat, kui selle olulised osad on kahjustatud, nt kaitseseadmed, kõrgsurvevoolik või pihustipüstol.

### Elektritööriista kasutamine ja hooldus

1. Enne toote kasutamist lugege kõiki juhiseid.
2. Viige ennast kurssi sellega, kuidas kõrgsurvepesurit ja voolusurvet kiiresti peatada. Tutvuge põhjalikult juhtseadistega.
3. Kõrgsurvepihustid võivad olla vale kasutamise korral ohtlikud. Pihustit ei tohi suunata inimeste, sisselülitatud elektriseadmete ega masina enda poole.
4. Masin ei ole ette nähtud kasutamiseks füüsiliste, sensoorsete või vaimsete puuetega isikutele (k.a lapsed) ega isikutele, kellel puuduvad kogemused ja teadmised seadme ohutuks kasutamiseks.
5. Lapsed ei tohi seadmega mängida.
6. Ärge pihustage kergsüttivaid ja/või mürgiseid vedelikke. See võib põhjustada plahvatuse, mürgistuse või masina kahjustumise.
7. Ärge suunake pihustit riiete või jalatsite puhastamiseks enda või teiste poole.
8. Kõrgsurvevoolikud, liitmikud ja ühendusmüüvid on olulised masina ohutuseks. Kasutage ainult tootja soovitatud voolikuid, liitmikke ja ühendusmüüve.

9. Järgige tarvikute vahetamise juhtnööre.
  10. Hoidke käed kuivad, puhtad ning õli- ja rasvavabad.
  11. Olge tähelepanelik – jälgige, mida teete.
  12. Ärge kasutage toodet, kui tunnete end uimaseks või olete alkoholi või narkootikumide mõju all.
  13. Ärge laske kõrgsurvepesuril töötada ilma veeta pikemalt kui ühe minuti vältel. See kahjustab mootorit, mille tulemuseks on rike.
  14. Kui jätate kõrgsurvepesuri ilma valveta, lülitage alati toide ja veevarustus välja.
  15. Olge ettevaatlik tagasilöögi suhtes. Kui kõrgsurve all veejuga otsakust väljub, pörkub pihustipüstol tagasi. Hoidke pihustipüstolit kindlalt, et hoida ära õnnetusjuhtumitest tulenevaid vigastusi.
  16. Enne kasutamist kontrollige kahjustatud või kulunud osasid. Veenduge alati, et voolik oleks õigesti ühendatud ja töö ajal ei esineks lekkeid. Toimimist mõjutavate vigadega masina kasutamine võib põhjustada õnnetuse.
  17. Masin on mõeldud kasutamiseks puhastusainega, mille tootja on kaasa andnud või soovitanud. Muude puhastusainete või kemikaalide kasutamine võib seadme ohutusele ebasoodsat mõju avaldada.
  18. Ärge tõmmake kõrgsurvepesuri liigutamiseks voolikut. See võib kahjustada voolikut ja selle ühendusosi ning tekitada lühise või toimimist mõjutavaid vigu.
  19. Ärge pange voolikule raskeid esemeid ega laske sõidukitel sellest üle sõita.
  20. Enne vooliku lahtiühendamist laadige jääksurve pihustipüstolis alati maha.
  21. Ühendades voolikut veetoriga, järgige kohaliku veetööde osakonna või ettevõtte juhiseid.
  22. Kui kõrgsurvepesur kukub maha või lööb vastu kõva eset, kontrollige seda kahjustuste ja mõrade suhtes. Kahjustada saanud kõrgsurvepesuri kasutamine võib tekitada suitsu, tulekahju või põhjustada elektrilöögi ja seeläbi kehalisi vigastusi.
  23. Kõrgsurvepuhastite kasutamisel võivad tekkida aerosoolid. Aerosoolide sissehingamine võib kahjustada tervist.
  24. Olenevalt rakendusest võib kõrgsurvega puhastamiseks kasutada kaetud otsakut, mis vähendab märkimisväärselt veeaerosoolide heidet. Siiski ei saa sellist seadet kasutada kõikide rakenduste jaoks. Kui kaitses aerosoolide eest pole võimalik kasutada kaetud otsakut, võib olenevalt puhastuskeskkonnast vaja minna FFP 2 klassi kuuluvat või võrdväärset respiraatorit.
  25. Vältige tahtmatut käivitamist. Veenduge, et lüliti on enne akukomplekti ühendamist, seadme tõstmist või kandmist väljalülitatud asendis. Seadme kandmine, hoides näppu lülilil, või seadme vooluvõrku ühendamine, kui lüliti on sisselülitatud asendis, võib kaasa tuua õnnetusi.
  26. Enne seadme kohandamist, lisatarvikute vahetamist või hoiundamist ühendage akukomplekt seadme küljest lahti. Sellised ennetusabinõud vähendavad seadme juhusliku käivitamise ohtu.
  27. Ärge muutke või üritage parandada seadet või akukomplekti muul viisil kui kasutus- ja hooldusjuhendis osutatuna.
  28. **HOIATUS – Injektsiooni või vigastuse oht – Ärge sihtige voolu otse inimeste suunas.**
- Akuga tööriista kasutamine ja hooldus**
1. Laadige alati laadijaga, mille tootja on heaks kiitnud. Laadija, mis sobib kasutamiseks ühte tüüpi akuga, võib kaasa tuua tulekahjuohtu, kui seda kasutada koos mõnda teist tüüpi akuga.
  2. Kasutage elektritööriista üksnes spetsiaalselt neile toodetud akudega. Mis tahes muude akude kasutamine võib tekitada tervisekahjustusi või tulekahjuohtu.
  3. Kui akut ei kasutata, ärge hoidke seda koos muude metallesemetega, nagu kirjaklambrid, münnid, võtmed, naelad, kruvid jm väikesed metallesemad, mis võivad tekitada ühenduse klemmide vahel. Akuklemmide lühis võib põhjustada põletusi ja tulekahjuohtu.
  4. Väärkasutamise tagajärjel võib akust valguda välja vedelikku; ärge seda puudutage. Kui olete selle vedelikuga siiski kogemata kokku puutunud, uhtke kohta veega. Kui vedelik on sattunud silma, minge arsti juurde. Akust väljavalgunud vedelik võib põhjustada ärritust ja põletusi.
  5. Ärge kasutage akupaketti ega tööriista, mis on kahjustatud või muudetud. Kahjustatud või muudetud akud võivad käituda etteaimamatult, põhjustades süttimis-, plahvatus- või vigastusohu.
  6. Kaitske akupaketti ja tööriista tule ja kõrge temperatuuri eest. Tule või kõrgema kui 130 °C temperatuuriga kokkupuutumine võib tuua kaasa plahvatused.
  7. Pidage kinni kõigist laadimisjuhistest ja ärge laadige akupaketti ega tööriista väljaspool juhendis märgitud temperatuurivahemikku. Valesi või väljaspool märgitud temperatuurivahemikku laadimine võib kahjustada akupaketti ja suurendada süttimisohtu.
- Hooldus**
1. Järgige juhendis toodud hooldusjuhiseid.
  2. Masina ohutuse tagamiseks kasutage ainult tootja originaalvaruosasid või tootja heaks kiidetud varuosasid.
  3. Laske kõrgsurvepesurit hooldada eksperdil, kes kasutab vaid identseid varuosasid. Siis on kõrgsurvepesuri ohutus tagatud.
  4. Kõrgsurvepesuri talitlushäire või rikke korral lülitage see viivitamatult välja ja eemaldage akukassett/-kassetid. Pöörduge kohaliku edasimüüja või teeninduskeskuse poole.
- Lisaohutusnõuded**
1. Vastake kohaliku veevarustuse ettevõtte nõuetele.
  2. Ärge kasutage tööriista äikesehoju korral.
  3. Tööriista kasutamisel porisel ja libedal maapinnal või märjal kallakul, pöörake tähelepanu kindlale jalgealusele.
  4. Vältige töötamist halvas keskkonnas, kus kasutaja suurem väsimine on võimalik.
  5. Ärge vahetage akut vihma käes.
  6. Ärge ajage tööriista sügavale auku.
  7. Ärge jätke tööriista järelevalveta vihma kätte.

8. Kui märjad lehed või praht jäävad vihma tõttu imiavasse (tuulutusaken) kinni, siis eemaldage need.
9. Ärge peske tööriista kõrgsurvepesuriga.
10. Tööriista pesemisel ärge laske veel siseneda elektrimehhanismi, nagu aku, mootor ja klemmid.
11. Tööriista hoiundamisel vältige otsest päikesevalgust ja vihma ning hoiukohti ei tohiks muuta liiga kuumaks ega niiskeks.
12. Kontrollige ja hooldage tööriista vihma eest kaitstud kohas.
13. Pärast tööriista kasutamist eemaldage kinnitunud mustus ja kuivatage tööriist enne hoiundamist täielikult. Aastaajast või piirkonnast olenevalt võib külmumine tõrkeid põhjustada.
14. Ärge tehke aku kontakte vee vm vedelikuga märjaks ega pange akut vee alla. Ärge jätke akut vihma kätte, samuti ärge laadige, kasutage ega hoiundage akut niiskes või märjas kohas. Kui aku kontakt saab märjaks või vedelik tungib aku sisse, võib aku lühistuda ning tekkida ülekuumenemise, süttimise või plahvatuse oht.
15. Pärast tööriistast või laadijast aku eemaldamist kinnitage akukate kindlasti akule ja hoidke akut kuivas kohas.
16. Ärge vahetage akut märgade kätega.

#### Lisaohutusnõuded

1. Vastake kohaliku veevarustusettevõtte nõuetele.
2. Ärge kasutage selle seadmega juhtmega toiteallikat, nagu näiteks akuadapterit või portatiivset akukomplekti. Taolise toiteallika juhe võib tööd takistada ja põhjustada kehavigastusi.

## HOIDKE JUHEND ALLES.

**⚠️HOIATUS:** ÄRGE UNUSTAGE järgida toote ohutusnõudeid mugavuse või toote (korduskasutamise) saavutamise hea tundmise tõttu.

**VALE KASUTUS** või kasutusjuhendi ohutuseeskirjade eiramine võib põhjustada tervisekahjustusi.

## Akukassetiga seotud olulised ohutusjuhised

1. Enne akukassetti kasutamist lugege (1) akulaadiljal, (2) akul ja (3) seadmel olevad juhtnõidid ja hoiatused läbi.
2. Ärge võtke akukassetti lahti.
3. Kui tööaeg järsult lüheneb, siis lõpetage kohe kasutamine. Edasise kasutamise tulemuseks võib olla ülekuumenemisoht, võimalikud põletused või isegi plahvatus.
4. Kui elektrolüüti satub silma, siis loputage silma puhta veega ja pöörduge koheselt arsti poole. Selline õnnetus võib põhjustada pimedaksjäämist.
5. Ärge tekitage akukassetis lühist:
  - (1) Ärge puutuge klemme elektrijuhtidega.
  - (2) Ärge hoidke akukassetti tööriistakastis koos metalliesemetega, nagu naelad, mündid jne.
  - (3) Ärge tehke akukassetti märjaks ega jätke seda vihma kätte.

Aku lühis võib põhjustada tugevat elektrivoolu, ülekuumenemist, põletusi ning ka seadet tõsiselt kahjustada.

6. Ärge hoidke tööriista ja akukassetti kohtades, kus temperatuur võib tõusta üle 50 °C.
7. Ärge põletage akukassetti isegi siis, kui see on saanud tõsiselt vigastada või on täiesti kulu- nud. Akukassett võib tules plahvatada.
8. Olge ettevaatlik, ärge laske akul maha kukkuda ja vältige lööke.
9. Ärge kasutage kahjustatud akut.
10. Sisalduvatele liitium-ioonakudele võivad kohalduda ohtlike kaupade õigusaktide nõuded. Kaubanduslikul transportimisel, näiteks kolmanda poolte või transpordiettevõtete poolt, tuleb järgida pakendil ja siltidel toodud erinõudeid. Transportimiseks ettevalmistamisel on vajalik pidada nõu ohtliku materjali ekspordiga. Samuti tuleb järgida võimalike riiklike regulatsioonide üksikasjalikumaid nõudeid. Katke teibiga või varjake avatud kontaktid ja pakendage aku selliselt, et see ei saaks pakendis liukuda.
11. Kasutuskõlbmatuks muutunud akukassetti kõrvaldamiseks eemaldage see tööriistast ja viige selleks ette nähtud kohta. Järgige kasutuskõlbmatuks muutunud aku kõrvaldamisel kohalikke eeskirju.
12. Kasutage akusid ainult Makita heaks kiidetud toodetega. Akude paigaldamine selleks mitte ettenähtud toodetele võib põhjustada süttimist, ülemäärast kuumust, plahvatamist või elektrolüüdi lekkimist.
13. Kui tööriista ei kasutata pika ajaperioodi jooksul, tuleb aku tööriistast eemaldada.

## HOIDKE JUHEND ALLES.

**⚠️ETTEVAATUST:** Kasutage ainult Makita originaalakusid. Mitte Makita originaalakude või muudetud akude kasutamine võib põhjustada akude süttimise, kehavigastuse ja kahjustuse. Samuti muudab see kehtetuks Makita tööriista ja laadija Makita garantii.

## Vihjeid aku maksimaalse kasutusa tagamise kohta

1. Laadige akukassetti enne selle täielikku tühjenemist. Kui märkate, et tööriist töötab väiksema võimsusega, peatage töö ja laadige akukassetti.
2. Ärge laadige täielikult laetud akukassetti. Ülelaadimine lühendab akude kasutusiga.
3. Laadige akukassetti toatemperatuuril 10 °C - 40 °C. Enne laadimist laske kuumenenud akukassetil maha jahtuda.
4. Kui te ei kasuta akukassetti kauem kui kuus kuud, laadige see.

# FUNKSIONAALNE KIRJELDUS

**⚠ETTEVAATUST:** Kandke alati hoolt selle eest, et tööriist oleks enne reguleerimist ja kontrollimist välja lülitatud ja akukassett eemaldatud.

## Akukasseti paigaldamine või eemaldamine

**⚠ETTEVAATUST:** Lülitage tööriist alati enne akukasseti paigaldamist või eemaldamist välja.

**⚠ETTEVAATUST:** Akukasseti paigaldamisel või eemaldamisel tuleb tööriista ja akukassetti kindlalt paigal hoida. Kui tööriista ja akukassetti ei hoita kindlalt paigal, võivad need käest libiseda ning kahjustada tööriista ja akukassetti või põhjustada kehavigastusi.

Akukasseti paigaldamiseks avage kaas, hoides samal ajal all lukustushooba. Joondage akukassetil olev keel korpuses oleva soonega ja libistage kassett oma kohale. Sisestage see tervenisti, et see lukustuks klõpsatusega oma kohale. Kui näete nupu ülasaos punast näidikut, pole see täielikult lukustunud. Pärast akukasseti paigaldamist ja eemaldamist veenduge, et oleksite kaane sulgenud.

► **Joon.1:** 1. Kaas 2. Lukustushoob

Akukasseti eemaldamiseks lükake seda, hoides samal ajal all kasseti esiküljel olevat nuppu.

► **Joon.2:** 1. Punane näidik 2. Nupp 3. Akukassett

**⚠ETTEVAATUST:** Paigaldage akukassett alati täies ulatuses nii, et punast osa ei jääks näha. Muidu võib adapter juhuslikult tööriistast välja kukkuda ning põhjustada teile või läheduses viibivatele isikutele vigastusi.

**⚠ETTEVAATUST:** Ärge rakendage akukasseti paigaldamisel jõudu. Kui kassett ei lähe kergesti sisse, pole see õigesti paigaldatud.

**⚠ETTEVAATUST:** Veenduge, et oleksite kaane enne tööle hakkamist lukustanud.

## Tööriista/aku kaitsesüsteem

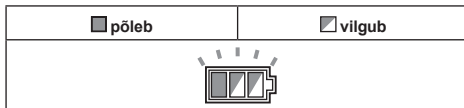
Tööriist on varustatud tööriista või aku kaitsesüsteemiga. Süsteem lülitab mootori automaatselt välja, et pikendada tööriista ja aku tööiga. Tööriist seiskub käitamise ajal automaatselt, kui tööriista või aku kohta kehtib üks järgmistest tingimustest.

## Ülekoormuskaitse

Kui akut kasutatakse viisil, mis nõuab akust tavatult palju voolu, seiskub tööriist ilma mingi näiduta. Sellises olukorras lülitage tööriist välja ja lõpetage tegevus, mis põhjustas tööriista ülekoormuse. Seejärel lülitage tööriist taaskäivitamiseks uuesti sisse.

## Ülekuumenemiskaitse

Kui tööriist on ülekuumenenud, seiskub see automaatselt ja akunäidik vilgub. Sel juhul laske tööriistal enne uuesti sisselülitamist maha jahtuda.



## Ülelaadimiskaitse

Kui aku laetuse tase ei ole piisav, seiskub tööriist automaatselt. Sellisel juhul eemaldage aku seadmest ja laadige täis.

## Aku jääkmahutavuse näit

**Ainult näidikuga akukassettidele**

► **Joon.3:** 1. Märgulambid 2. Kontrollimise nupp

Akukasseti järelejäänud mahutavuse kontrollimiseks vajutage kontrollimise nuppu. Märgulambid süttivad mõneks sekundiks.

Märgulambid			Jääkmahutavus
Pöleb	Ei põle	Vilgub	
■	□	▤	
■	■	■	75 - 100%
■	■	□	50 - 75%
■	□	□	25 - 50%
■	□	□	0 - 25%
▤	□	□	Laadige akut.
■	■	□	Akul võib olla tõrge.
□	□	■	

**MÄRKUS:** Näidatud mahutavus võib veidi erineda tegelikust mahutavusest olenevalt kasutustingimustest ja ümbritseva keskkonna temperatuurist.

## Aku jääkmahutavuse näit

**TÄHELEPANU:** Akunäidiku tuli ei sütti, kui toitelüliti on asendis OFF. Aku jääkmahutavuse kontrollimiseks lülitage toitelüliti kõrge või madala surve režiimile.

Aku järelejäänud mahutavuse kontrollimiseks vajutage kontrollimise nuppu. Kummalgi akul on oma akuindikaator.

► **Joon.4:** 1. Akunäidik 2. Kontrollimise nupp

Akunäidiku olek			Aku jäämahutavus
Pöleb	Ei põle	Vilgub	
			50% kuni 100%
			20% kuni 50%
			0% kuni 20%
			Laadige akut

## Toitelüliti

**TÄHELEPANU:** Ärge keerake toitelüliti jõuga. See võib põhjustada lüliti rikke.

Olenevalt survetasemest keerake toitelüliti päri- või vastupäeva. Kõrge surve režiimi jaoks keerake toitelüliti päripäeva, madala surve režiimi jaoks vastupäeva.

► **Joon.5:** 1. Madala surve režiim 2. Asend OFF (väljas) 3. Kõrge surve režiim

**MÄRKUS:** Toitelüliti madala või kõrge surve režiimile lülitades süttib akunäidik mõneks sekundiks.

## Otsaku funktsioonid

**MÄRKUS:** Põhiotsakud erinevad olenevalt riigist. Vt teisi otsakuid jaotisest VALIKULISED TARVIKUD.

## Pihustustoru

*Riigikohane*

► **Joon.6**

Joa laiust saab reguleerida vahemikus 0° kuni 25°, pöörates otsaku esimest otsa.

**ÄTTEVAATUST:** Joa laiust reguleerides ärge pöörake otsakut samal ajal, kui tõmbate seda pihustipüstoli suunas. Otsak võib pihustipüstolilt lahti tulla ja põhjustada kehavigastusi.

## Mustuse lõhkaja

*Riigikohane*

► **Joon.7**

Väljutatakse spiraalne juga. Sobib kangekaelse mustuse eemaldamiseks.

**TÄHELEPANU:** Ärge kasutage mustuse lõhkajat puhastel õrnadel pindadel, näiteks akendel või autokerele.

## Päästiku töötamine

Veetava väljalaskmiseks tõmmake päästikut. Pihustamine jätkub seni, kuni päästikut surutakse. Pihustipüstoli ohutuks kasutamiseks saab päästiku lukustada. Päästiku lukustamiseks tõmmake stopper välja ja kinnitage see käepidemel soone külge.

► **Joon.8:** 1. Päästik 2. Stopper 3. Soon

**TÄHELEPANU:** Selleks et vältida mehaanilist viga survelülitis, jätke päästiku vajutamiste vahele alati kahesekundiline intervall.

## Ohutusklapp

See seade on varustatud ohutusventiiliga, mis hoiab ära lubamatu ülesurve. Kui päästik vabastatakse, ventiil avaneb ja vesi ringleb uuesti läbi pumba sisselaske.

**ÄTTEVAATUST:** Ärge muutke ega kohandage ohutusventiili seadeid.

## Veega varustamine paagist/mahutist

Kraani asemel saate veega varustada paagist või mahutist.

Asendage veevooliku ülemine imivooliku komplektiga. Imivooliku komplekti ühendamisel eemaldage filtrikarp voolikust ja ühendage see kõrgsurvepesuri sisselaskega. Seejärel ühendage voolik filtrikarbi külge.

**MÄRKUS:** Vooliku eemaldamisel filtrikarbi küljest või filtrikarbi külge ühendamisel keerake muhvi, hoides samal ajal voolikut, nii et voolik ei pöörle koos muhviga.

► **Joon.9:** 1. Paak/mahuti 2. Imivooliku komplekt 3. Veevooliku ülemine 4. Voolik 5. Filtri ümbris 6. Kõrgsurvepesuri sisselase 7. Voolikurihm 8. Hülss

**ÄTTEVAATUST:** Muhvi filtrikarbi külge kinnitamisel jälgige, et te ei vigastaks oma kätt voolikurihmaga.

**TÄHELEPANU:** Kasutage alati Makita imivoolikute komplekti.

**TÄHELEPANU:** Hoidke kõrgsurvepesuri sisselaset veepinna kohal kuni 1 m (3,28 jala) kõrgusel. Muidu ei suuda kõrgsurvepesur vett pumba sisse viia.

Selleks, et vesi pääseks voolikusse, eemaldage otsak pihustipüstoli küljest ja lülitage kõrgsurvepesur sisse sel ajal, kui päästikut surutakse. Kui vesi väljub pihustipüstolilt ühtlaselt, vabastage päästik ja kinnitage vajalik otsak.

► **Joon.10:** 1. Pihustipüstol

**MÄRKUS:** Kui vesi ei välju, võtke imivooliku komplekt küljest ja leotage seda vees. Seejärel ühendage see uuesti kõrgsurvepesuriga.

► **Joon.11:** 1. Imivooliku komplekt



## Konteineri kasutamisel veepaagina

Te saate kõrgsurvepesuriga kaasasolevat konteinerit (riigikohane) kasutada veepaagina.

1. Tühjendage konteiner ja laske sinna vesi sisse.  
▶ **Joon.12:** 1. Veetaseme piirjoon

**TÄHELEPANU:** Äрге laske vett üle veetaseme piirjoone.

**TÄHELEPANU:** Konteineri kaanel ei ole tihendit. Olge ettevaatlik, et konteineri kandmisel vett mitte üle ääre ajada.

2. Ühendage filtrikarp imivooliku komplekti vooliku küljest lahti.  
▶ **Joon.13:** 1. Voolik 2. Filtrikarp
3. Eemaldage toitevee sisselaske kork ja tõmmake imivooliku komplekt läbi sisselaske, nagu on joonisel näidatud.  
▶ **Joon.14:** 1. Kork 2. Korgipesa 3. Toitevee sisselaske 4. Imivooliku komplekt

**MÄRKUS:** Sisselaske korgi saab jätta korgipesale.

4. Eemaldage veevooliku üleminek kõrgsurvepesuri sisselaskest. Seejärel ühendage filtrikarp sisselaskega ja seejärel voolik filtrikarbiga.  
▶ **Joon.15:** 1. Kõrgsurvepesuri sisselaske 2. Filtrikarp 3. Veevooliku üleminek 4. Voolik
5. Asetage kõrgsurvepesur konteinerile ja kinnitage see konteineri kaanel asuvate kinnititega.  
▶ **Joon.16:** 1. Kõrgsurvepesur 2. Kaas 3. Suruõhuava

**TÄHELEPANU:** Olge konteineri kandmisel ettevaatlik. Kui kannate konteinerit koos kõrgsurvepesuri ja lisatarvikute või veega, võib selle raskus põhjustada õnnetuse või kehaliisi vigastusi.

**TÄHELEPANU:** Äрге raputage, pöörake ega kallutage konteineri kandmisel seda ülellia. See võib põhjustada

- vee üle ääre loksumist;
- kaanel oleva kõrgsurvepesuri konteineri pealt ära kukkumist või;
- konteineri rataste pöörlemise takistamist.

**TÄHELEPANU:** Kui kannate konteinerit käepidemest ja selles on piisavas koguses vett, võib vesi üle ääre loksuda.

**TÄHELEPANU:** Kui vesi ulatub konteineri kallutamisel suruõhuavani, võib vesi selle kaudu välja tulla.

**TÄHELEPANU:** Äрге astuge konteineri peale. Kaas võib katki minna.

**TÄHELEPANU:** Äрге jätke vett pikaks ajaks konteinerisse. Vastasel juhul võib konteiner kahjustuda ja hakata lekkima.

Pärast kasutamist järgige alltoodud protseduuri.

1. Eemaldage väljalaskekork ja laske vesi välja.  
▶ **Joon.17:** 1. Väljalase
2. Pühkige lapiga konteineris olev niiskus ära ja seejärel kuivatage konteiner täielikult.

**TÄHELEPANU:** Äрге hoidke kõrgsurvepesurit ja selle tarvikuid konteineris, kui see on seest märg. Alles jäänud niiskus võib põhjustada rikkeid ja roostet.

## KOKKUPANEK

**ÄTTEVAATUST:** Kandke alati hoolt selle eest, et tööriist oleks enne igasuguseid hooldustöid välja lülitatud ja akukassett eemaldatud.

### Kõrgsurvevooliku ühendamine

Ühendage kõrgsurvevoolik väljalaskega (püstoli märgiga). Keerake kõrgsurvevoolikul olevat mutrit päripäeva, samal ajal seda väljalaske kruvikeermesse keerates.

- ▶ **Joon.18:** 1. Väljalase 2. Mutter

**ÄTTEVAATUST:** Veenduge, et kõrgsurvevoolik oleks kindlalt ühendatud. Lõdva kinnituse tõttu võib kõrgsurvevoolik lahti tulla ja põhjustada kehavigastusi.

### Pihustipüstoli kinnitamine

Ühendage kõrgsurvevoolik pihustipüstolil oleva sisselaskega. Keerake kõrgsurvevoolikul olevat mutrit päripäeva, samal ajal seda sisselaske kruvikeermesse keerates.

- ▶ **Joon.19:** 1. Sisselaske 2. Mutter

**ÄTTEVAATUST:** Veenduge, et kõrgsurvevoolik oleks kindlalt ühendatud. Lõdva kinnituse tõttu võib kõrgsurvevoolik lahti tulla ja põhjustada kehavigastusi.

### Kraani ühendamine

**ÄTTEVAATUST:** Kasutage alati survekindlat veevoolikut, mille läbimõõt on 13 mm või suurem, ja kasutage kraaniga ühendamiseks korralikke liitmike. Muidu võib veevoolik ja/või liitmik puruneda ja tekitada kehavigastusi.

**TÄHELEPANU:** Kasutage võimalikult lühikest survekindlat veevoolikut. Siseneva vee kogus peaks olema suurem kui pumba maksimaalne toitemaht.

**TÄHELEPANU:** Kui ühendate joogivee tarbeks veevõrguga, kasutage teie piirkonna eeskirjadele vastavat tagasisivooluklappi.

Valmistage ette survekindel veevoolik. Kinnitage ühendusmuhv ühte otsa, teine ots ühendage kraaniga.

1. Eemaldage ühendusmuhvile olev mutter ja viige survekindel veevoolik läbi mutri. Sisestage vooliku ots ühendusmuhvi ja seejärel pingutage mutter.

- ▶ **Joon.20:** 1. Survekindel veevoolik 2. Ühendusmuhv 3. Ühendusmuhv

**MÄRKUS:** Kui soovite ühendada survekindla veevooliku ühendusmuhvi abil kraaniga, võtke teine ühendusmuhv ja kinnitage see vooliku teise otsa.

2. Ühendage survekindel veevoolik kraaniga. Kasutage vooliku otsa kraani külge kinnitamiseks sobivat liitmikku, näiteks voolikusidet või veekraani liigendit.  
▶ **Joon.21:** 1. Voolikurihm 2. Veekraani liigend 3. Survekindel veevoolik

**MÄRKUS:** Liitmik sõltub selle kraani kujust, millega te ühendate. Valmistage ette sobiv kaubandusest ostetud liitmik.

3. Kinnitage veevooliku üleminek sisselaskega (kraani märgiga) ja seejärel sisestage ühendusmuhv.  
▶ **Joon.22:** 1. Ühendusmuhv 2. Veevooliku üleminek 3. Kõrgsurvepesuri sisselase

## Otsaku ühendamine / lahti ühendamine

**⚠ETTEVAATUST:** Otsaku ühendamisel/lahtiühendamisel lukustage alati pihustipüstoli päästik.

Sisestage otsaku ots pihustipüstoli avasse ja keerake seda joonisel näidatud noole suunas. Otsaku lahtiühendamiseks keerake otsakut vastupidises suunas, surudes seda vastu pihustipüstolit.

- ▶ **Joon.23:** 1. Pihustipüstol 2. Pilu 3. Otsaku ots

## Vahuotsaku ühendamine

*Valikuline tarvik*

**⚠ETTEVAATUST:** Otsaku ühendamisel/lahtiühendamisel lukustage alati pihustipüstoli päästik.

Valmistage puhastusaine ette enne vahuotsaku kasutamist.

1. Eemaldage otsak paagist, pöörates otsakut vastupäeva. Kinnitage otsak pihustipüstoliga.  
▶ **Joon.24:** 1. Otsak 2. Pihustipüstol

2. Kallake puhastusaine paaki ja paigaldage see otsaku külge.  
▶ **Joon.25:** 1. Paak

**TÄHELEPANU:** Kasutage alati neutraalset puhastusainet. Happeline või aluseline puhastusaine võib paaki või otsakut kahjustada.

## Plastist kandekohvri asetamine konteineri peale

*Valikuline tarvik*

Võite asetada Makita plastist kandekohvri konteineri peale. Asetage plastist kandekohver konteinerile ja kinnitage see konteineri kaanel asuvate kinnititega.

- ▶ **Joon.26:** 1. Plastist kandekohver 2. Kinnitus

## Konteineri asetamine käsikärule

*Valikuline tarvik*

Konteineri kandmisel Makita käsikäruga asetage konteiner paika. Veenduge, et konteineri põhi mahuks käru alusele.

- ▶ **Joon.27:** 1. Konteineri põhi 2. Käru alus

**⚠ETTEVAATUST:** Käru kasutamisel ärge kandke veega täidetud konteinerit. See võib tekitada tasakaalukaotust ja põhjustada vigastusi või konteineri deformatsiooni, mille tulemusena tekib veeleke.

# TÖÖRIISTA KASUTAMINE

**⚠HOIATUS:** Ärge puudutage veejuga ega suunake seda enda või teiste poole. Veejuga on ohtlik ja võib teile või teistele viga teha.

**⚠HOIATUS:** Veejuga lastes ärge kunagi hoidke puhastatavat eset käes ega pange oma käsi ja jalga veejoa lähedusse.

**⚠ETTEVAATUST:** Olge tähelepanelik veejoga tagasilöögi ja lendu tõusvate esemete suhtes. Ärge viige otsakut esemele lähemale kui 30 cm.

**⚠ETTEVAATUST:** Ärge laske kõrgsurvepesuril töötada ilma veeta pikemalt kui 1 minuti vältel.

**⚠ETTEVAATUST:** Ärge kasutage kõrgsurvepesurit pikema aja vältel. See võib põhjustada ülekuumenemise või tulekahju. Pikaajaline kasutamine võib põhjustada ka vibratsioonihäiret.

**⚠ETTEVAATUST:** Jälgige tuule suunda. Kui puhastusaine satub silma või suhu, loputage viivitamatult puhta veega ja vajaduse korral pöörduge arsti poole.

**TÄHELEPANU:** Vältige kõrgsurvepesuri kasutamist pikemalt kui 1 tund. Pärast 1-tunnist kasutamist jätke sama pikk paus.

**TÄHELEPANU:** Kõrgsurvepesuri mehhanismi kaitsmiseks ärge kasutage vett, mis on üle 40 °C.

1. Ühendage kõrgsurvevooliku üks ots pihustipüstoliga ja teine ots kõrgsurvepesuriga.
2. Ühendage kõrgsurvepesur ja kraan veevooliku abil. Pärast seda avage kraan.  
▶ **Joon.28**
3. Avage kaas ja paigaldage akukassetid kõrgsurvepesurisse ning seejärel lukustage kaas.  
▶ **Joon.29:** 1. Akukasset 2. Kaas
4. Keerake toitelüliti soovitud režiimile.  
▶ **Joon.30:** 1. Madala surve režiim 2. OFF-asend 3. Kõrge surve režiim
5. Veejoga väljutamiseks avage stopper ja suruge päästikut. Pihustamine jätkub seni, kuni päästikut surutakse.  
▶ **Joon.31:** 1. Stopper

**⚠ETTEVAATUST:** Hoidke pihustipüstolit kindlalt. Pihustipüstol põrkab päästiku tõmbamisel tagasi.

**⚠ETTEVAATUST:** Veejoga väljutamisel hoidke alati kinni pihustipüstoli käepidemest ja torust.

**TÄHELEPANU:** Ärge tõmmake pihustipüstolit kasutamise ajal jõuga. See võib põhjustada kõrgsurvepesuri ümberkukkumise.

Kui katkestate töö, võite pihustipüstoli paigutada ajutiselt joonisel näidatud viisil.

- ▶ **Joon.32**

## Pärast kasutamist

**⚠ETTEVAATUST:** Pärast kõrgsurvepesuri kasutamist tehke alati juhendis kirjeldatud protseduur. Pihustipüstoli või kõrgsurvepesuri jääkrõhk võib tekitada kehavigastusi või kahjustada seismist pumpa.

1. Lülitage kõrgsurvepesur välja.
2. Sulgege kraan ja ühendage veevoolik kõrgsurvepesurist lahti.  
▶ **Joon.33**
3. Lülitage kõrgsurvepesur uuesti sisse.
4. Suruge päästikut, kuni järelejäänud vesi kõrgsurvepesurist väljutatakse.  
▶ **Joon.34**

**TÄHELEPANU:** Ärge käitage mootorit üle 1 minuti.

5. Lülitage kõrgsurvepesur välja ja eemaldage akukassetid.  
▶ **Joon.35:** 1. Toitelüliti 2. Akukassetit
6. Eemaldage kõrgsurvevoolik pihustipüstolist ja kõrgsurvepesurist.  
▶ **Joon.36:** 1. Pihustipüstol 2. Kõrgsurvevoolik 3. Kõrgsurvepesur

**TÄHELEPANU:** Kõrgsurvevooliku kahjustumise vältimiseks eemaldage enne selle hoiule panemist voolikust vesi.

## HOOLDAMINE JA HOIUSTAMINE

**⚠ETTEVAATUST:** Kandke alati enne kontroll- või hooldustoimingute tegemist hoolt selle eest, et tööriist oleks välja lülitatud ja akukasset eemaldatud.

**TÄHELEPANU:** Ärge kunagi kasutage bensiini, vedeldit, alkoholi ega midagi muud sarnast. Selle tulemuseks võib olla luitumine, deformatsioon või pragunemine.

Toote OHUTUSE ja TÖÖKINDLUSE tagamiseks tuleb vajalikud remonttööd ning muud hooldus- ja reguleerimistööd lasta teha Makita volitatud teeninduskeskustes või tehase teeninduskeskustes. Alati tuleb kasutada Makita varuosi.

## Otsaku puhastamine

Kasutage otsakust mustuse või ummistuse eemaldamiseks puhastusnõela.  
▶ **Joon.37:** 1. Puhastusnõel

**TÄHELEPANU:** Ärge eemaldage mustust või prahti jõuga. Selle tulemuseks võivad olla kehavigastused või väljumisava kahjustused, mis põhjustab joa suuna kõrvalekaldumist või kehva toimimist.

## Filtri puhastamine

Ühendage veevooliku üleminek lahti ning eemaldage mustus ja praht filtri seest.

- ▶ **Joon.38:** 1. Veevooliku üleminek 2. Filter 3. Tihendrõngas

Imivooliku komplekti kasutades (lisavarustus) võtke filtri korpusest välja ning eemaldage mustus ja praht.  
▶ **Joon.39:** 1. Filter 2. Filtri ümbris

**MÄRKUS:** Optimaalse töövõime tagamiseks puhastage filtreid perioodiliselt.

## Hoiundamine

**⚠ETTEVAATUST:** Hoiundage alati siseruumides, kus temperatuur ei lange alla külmumispiiri. Kui kõrgsurvepesur külmub ja läheb rikki, võtke remondi asjus ühendust kohaliku teeninduskeskusega.

Hoidke lisatarvikuid kõrgsurvepesuri küljetaskus.

### Hoiundamise näide

- ▶ **Joon.40:** 1. Kõrgsurvepesuri voolik 2. Otsak 3. Pihustipüstol

Kui teie mudeliga on kaasas konteiner, hoidke kõrgsurvepesurit ja tarvikuid selle sees.

### Hoiundamise näide

- ▶ **Joon.41:** 1. Kõrgsurvepesur 2. Otsak 3. Pihustipüstol 4. Puhastushari 5. Vahuotsak 6. Kõrgsurvepesuri voolik 7. Laadija 8. Imivooliku komplekt 9. Survekindel veevoolik

**MÄRKUS:** Mõned joonisel näidatud lisatarvikud on mõnes riigis saadaval valikuliste lisatarvikutena.

# VEAOTSING

Enne remonditöökotta pöördumist kontrollige niidukit ise. Ärge üritage niidukit lahti võtta, kui leiate probleemi, mida kasutusjuhendis ei kirjeldata. Selle asemel pöörduge Makita volitatud teeninduskeskusesse, kus kasutatakse remontimisel alati Makita tagavaraosi.

Tõrge	Võimalik põhjus (riike)	Lahendus
Pesur ei käivitu.	Elektrit ei ole	Paigaldage laetud akukassetid.
	Lüliti ei ole sisse lülitatud.	Lülitage lüliti välja.
	Pumba jääkrõhk	Tõmmake päästikut.
	Kahjustatud aku või elektriabel	Võtke parandustööde asjus ühendust volitatud teeninduskeskusega.
Veejuga puudub / veejuga on nõrk	Veevarustus puudub	Veenduge, et kraan oleks avatud. Kui kasutate imivooliku komplekti, juhtige vesi voolikusse.
	Kehv veevarustus	Keerake kraan lahti.
	Kehv veevooliku ühendus	Kontrollige kõrgsurvepesuri ja veekraani vahelist ühendust.
	Ummistunud voolik, filter või otsak	Eemaldage voolikust ummistus, filter või otsak.
	Õhk blokeerib veevoolu.	Lülitage lüliti välja ja seejärel uuesti sisse, samal ajal päästikut surudes.
	Kahjustatud või kulunud otsak	Asendage otsak.
	Pumba või ventiili rike	Võtke parandustööde asjus ühendust volitatud teeninduskeskusega.
Ebaühtlane veejuga	Ummistunud otsak	Eemaldage puhastusnõela abil ummistus otsaku väljalaskeavast.
	Kehv veeimemine	Kontrollige kraanist algavat veevoolikut lekete ja ummistuste suhtes. Keerake kraan lahti.
	Vesi on liiga kuum.	Varustage jahedama veega.
	Ventiili rike	Võtke parandustööde asjus ühendust volitatud teeninduskeskusega.
Tavatu heli	Vesi on liiga kuum.	Varustage jahedama veega.
	Õhk on pumbas kinni.	Võtke parandustööde asjus ühendust volitatud teeninduskeskusega.
Veeleke	Kehv ühendus	Kontrollige kõrgsurvepesuri ja pihustipüstoli ning veekraani vahelist ühendust.
	Kulunud tihendid	Võtke parandustööde asjus ühendust volitatud teeninduskeskusega.

## VALIKULISED TARVIKUD

**⚠ETTEVAATUST:** Neid tarvikuid ja liseseadiseid on soovitatav kasutada koos Makita tööriistaga, mille kasutamist selles kasutusjuhendis kirjeldatakse. Muude tarvikute ja liseseadiste kasutamisega kaasneb vigastada saamise oht. Kasutage tarvikuid ja liseseadiseid ainult ostarbekohaselt.

Saate vajaduse korral kohalikust Makita teeninduskeskusest lisateavet nende tarvikute kohta.

**MÄRKUS:** Mõned nimekirjas loetletud tarvikud võivad kuuluda standardvarustusse ning need on lisatud tööriista pakendisse. Need võivad riigiti erineda.

## Vario-Power survepesur

► Joon.42

Veejoga survet saab reguleerida otsakut keerates.

**⚠ETTEVAATUST:** Survet reguleerides ärge pöörake otsakut samal ajal, kui seda pihustipüstoli suunas tõmbate. Otsak võib pihustipüstolilt lahti tulla ja põhjustada kehavigastusi.

## Vahuotsak

*Riigikohane*

► Joon.43

Puhastusvahendit saab pihustada vahuna.

## Pesemishari (pikk)

► Joon.44

Harjaga varustatud otsak. Kasulik mustuse väljapeseamiseks, samal ajal harjaga hõõrudes.

## Imivooliku komplekt

### ► Joon.45

Asendage veevoolik selle komplektiga, et varustada veega paagist või mahutist.

## Pöörlev pesemishari

### ► Joon.46

Kolm sees olevat harja pöörlevad aeglaselt sel ajal, kui juba väljutatakse. Sobib kerge mustuse eemaldamiseks välisseinalt, autokerelt, vannilt jne.

## Torupikendus

### ► Joon.47

Torud pihustipüstolile pikkuse lisamiseks. Saadaval on kolm erinevat pikkust, kui muudate kasutatavate torude arvu.

## Kerealune pihustitoru

### ► Joon.48

Eriti pikk pihustitoru, nurgaga otsakuga. Parim raskesti ligipääsetavate piirkondade, näiteks autokere alumise osa ja katuserenni puhastamiseks.

**⚠ETTEVAATUST:** Ärge kasutage kerealust pihustitoru koos torupikendusega.

## Pritsmekaitse

### ► Joon.49

Vähendab tagasipritsimist, kui puhastate nurkasid mustuselõhkajaga.

## Pöördliigend

### ► Joon.50

Hoiab ära kõrgsurvevooliku väändumise.

## Ühendusliigend

### ► Joon.51

Liigend, mille saab ühendada teise mudeli otsakuga.

Mõned lisaotsakud vajavad pihustipüstoli kinnitamiseks ühendusliigendit (lisavarustus). Kinnitage ühendusliigend pihustipüstoli külge samal viisil nagu otsak.

► **Joon.52:** 1. Otsak 2. Ühendusliigend  
3. Pihustipüstol

**MÄRKUS:** Ühendusliigendit on tarvis, kui kasutate otsakuid, mis on kaasas teise mudeliga, HW112 või HW121.

## Torupuhastuskomplekt (10 m / 15 m)

### ► Joon.53

Torustiku ja vihmaveetorude puhastamiseks ja ummistuste eemaldamiseks.

**⚠ETTEVAATUST:** Torupuhastuskomplekti kasutades olge veejoa suhtes eriti tähelepanelik. Väga intensiivne veejuga paiskub tagasi. Sisestage vooliku ots enne päästikule vajutamist toru sisse.

## Pikendamiseks mõeldud kõrgsurvevoolik (5 m / 8 m / 10 m)

### ► Joon.54

Pikendusvoolik kõrgsurvepesuri kere ühendamiseks pihustipüstoliga.

## ОСТОРОЖНО

- Устройствами не должны пользоваться дети. Следите за маленькими детьми, чтобы они не использовали устройство в качестве игрушки.
- Это устройство не предназначено для использования лицами (включая детей) с ограниченными физическими, сенсорными или умственными способностями, а также не имеющими надлежащего опыта и знаний.
- При эксплуатации данного устройства необходимо использовать поставляемое или рекомендованное производителем чистящее средство. Применение других чистящих средств или химикатов может негативно отразиться на безопасности устройства.
- Струи воды высокого давления могут представлять опасность при ненадлежащем использовании. Запрещается направлять струю на людей, находящееся под напряжением электрооборудование и само устройство.
- Запрещается использовать устройство рядом с людьми, не облаченными в защитную одежду.
- Не направляйте струю на себя или других людей с целью очистить одежду или обувь.
- Риск взрыва – не распыляйте легковоспламеняющиеся жидкости.
- Очистителями высокого давления не должны пользоваться дети или необученный персонал.
- Шланги, фитинги и муфты высокого давления играют важную роль в обеспечении безопасности устройства. Используйте только рекомендованные производителем шланги, фитинги и муфты.
- Чтобы обеспечить безопасность устройства, необходимо использовать только оригинальные или одобренные производителем запасные части.
- Перед выполнением каких-либо работ с инструментом обязательно убедитесь, что он выключен и из него вынуты блоки аккумуляторов.
- Не используйте устройство в случае повреждения важных компонентов, например предохранительных устройств, шлангов высокого давления, пистолета.

- Оставляя устройство без присмотра, обязательно вынимайте блоки аккумуляторов.
- Сj,k.lfqnt nht,jdfybzСоблюдайте требования местной компании по водоснабжению.
- Для европейских стран:  
Согласно EN12729 (BA), прибор также может быть подключен к магистрали питьевой воды, если в шланг подачи установлен обратный клапан с устройством слива.

## ТЕХНИЧЕСКИЕ ХАРАКТЕРИСТИКИ

<b>Модель:</b>		<b>DHW080</b>
Макс. объем подачи <sup>*1</sup>		6,3 л/мин
Расход воды <sup>*2</sup>	Высокий	5,5 л/мин
	Низкий	4,0 л/мин
Макс. допустимое давление		8,0 МПа
Рабочее давление <sup>*2</sup>	Высокий	5,5 МПа
	Низкий	3,0 МПа
Макс. давление подачи		1,0 МПа
Макс. температура подачи		40 °С
Макс. высота всасывания		1 м
Номинальное напряжение		36 В пост. тока
Размеры (Д × Ш × В)		438 мм × 218 мм × 269 мм
Масса		7,1 - 7,7 кг

\*1. При использовании очистной щетки.

\*2. При использовании распылителя.

- Благодаря нашей постоянно действующей программе исследований и разработок указанные здесь технические характеристики могут быть изменены без предварительного уведомления.
- Технические характеристики могут различаться в зависимости от страны.
- Масса может отличаться в зависимости от дополнительного оборудования. Обратите внимание, что блок аккумулятора также считается дополнительным оборудованием. В таблице представлены комбинации с наибольшим и наименьшим весом в соответствии с процедурой EPTA 01/2014.

### Подходящий блок аккумулятора и зарядное устройство

Блок аккумулятора	BL1815N / BL1820 / BL1820B / BL1830 / BL1830B / BL1840 / BL1840B / BL1850 / BL1850B / BL1860B
Зарядное устройство	DC18RC / DC18RD / DC18RE / DC18SD / DC18SE / DC18SF / DC18SH

- В зависимости от региона проживания некоторые блоки аккумуляторов и зарядные устройства, перечисленные выше, могут быть недоступны.

**⚠ ОСТОРОЖНО:** Используйте только перечисленные выше блоки аккумуляторов и зарядные устройства. Использование других блоков аккумуляторов и зарядных устройств может привести к травме и/или пожару.

### Символы

Ниже приведены символы, используемые для обозначения. Перед использованием убедитесь, что вы понимаете их значение.



Прочитайте руководство по эксплуатации.



Обратите особое внимание.



Только для стран ЕС  
Не выбрасывайте электрооборудование или аккумуляторы вместе с бытовым мусором!  
В соответствии с европейскими директивами об утилизации электрического и электронного оборудования, о батареях и аккумуляторах, а также использованных батареях и аккумуляторах и их применении в соответствии с местными законами электрооборудование, батареи и аккумуляторы, срок эксплуатации которых истек, должны утилизироваться отдельно и передаваться для утилизации на предприятие, соответствующее применяемым правилам охраны окружающей среды.



Не подключайте устройство к крану питьевой воды.



Запрещается направлять струю на себя, окружающих людей, животных и находящееся под напряжением электрооборудование.

## Назначение

Этот инструмент предназначен для удаления сложно выводимой грязи с помощью струи воды. Этот инструмент предназначен для домашнего использования.

## Шум

Типичный уровень взвешенного звукового давления (A), измеренный в соответствии с EN60335-2-79:  
Уровень звукового давления ( $L_{pA}$ ): 70,9 дБ (A)  
Погрешность (K): 3,6 дБ (A)

Уровень шума при выполнении работ может превышать 80 дБ (A).

**ПРИМЕЧАНИЕ:** Заявленное значение распространения шума измерено в соответствии со стандартной методикой испытаний и может быть использовано для сравнения инструментов.

**ПРИМЕЧАНИЕ:** Заявленное значение распространения шума можно также использовать для предварительных оценок воздействия.

**⚠ОСТОРОЖНО:** Используйте средства защиты слуха.

**⚠ОСТОРОЖНО:** Распространение шума во время фактического использования электроинструмента может отличаться от заявленного значения в зависимости от способа применения инструмента и в особенности от типа обрабатываемой детали.

**⚠ОСТОРОЖНО:** Обязательно определите меры безопасности для защиты оператора, основанные на оценке воздействия в реальных условиях использования (с учетом всех этапов рабочего цикла, таких как выключение инструмента, работа без нагрузки и включение).

## Вибрация

Суммарное значение вибрации (сумма векторов по трем осям), определенное в соответствии с EN60335-2-79:

Распространение вибрации ( $a_{h1}$ ): 2,5 м/с<sup>2</sup> или менее  
Погрешность (K): 1,5 м/с<sup>2</sup>

**ПРИМЕЧАНИЕ:** Заявленное общее значение распространения вибрации измерено в соответствии со стандартной методикой испытаний и может быть использовано для сравнения инструментов.

**ПРИМЕЧАНИЕ:** Заявленное общее значение распространения вибрации можно также использовать для предварительных оценок воздействия.

**⚠ОСТОРОЖНО:** Распространение вибрации во время фактического использования электроинструмента может отличаться от заявленного значения в зависимости от способа применения инструмента и в особенности от типа обрабатываемой детали.

**⚠ОСТОРОЖНО:** Обязательно определите меры безопасности для защиты оператора, основанные на оценке воздействия в реальных условиях использования (с учетом всех этапов рабочего цикла, таких как выключение инструмента, работа без нагрузки и включение).

## Декларация о соответствии ЕС

*Только для европейских стран*

Декларация о соответствии ЕС включена в руководство по эксплуатации (Приложение А).

## ВАЖНЫЕ ИНСТРУКЦИИ ПО ТЕХНИКЕ БЕЗОПАСНОСТИ

**⚠ОСТОРОЖНО:** Ознакомьтесь со всеми инструкциями и рекомендациями по технике безопасности. Невыполнение инструкций и рекомендаций может привести к поражению электротоком, пожару и/или тяжелым травмам.

**Сохраните брошюру с инструкциями и рекомендациями для дальнейшего использования.**  
**ОСТОРОЖНО!** При использовании этого устройства необходимо неукоснительно соблюдать основные меры предосторожности, в том числе: Безопасность в месте выполнения работ

1. Не допускайте посторонних лиц в зону проведения работ.
2. Не старайтесь дотянуться до чего-либо и не вставляйте на неустойчивые опоры. Всегда сохраняйте устойчивое положение и равновесие.



3. Корпус водоструйного аппарата высокого давления требуется размещать на ровной и устойчивой поверхности. Не используйте устройство на участках, где отработанная вода может растекаться или скапливаться.
4. Перед выполнением работ с помощью устройства необходимо проводить осмотр подлежащих очистке предметов и пространства вокруг них. Струи высокого давления могут повредить краску или другие типы покрытия, включая содержащие токсичные химикаты. При необходимости примите меры предосторожности.
5. Соблюдайте осторожность, чтобы не споткнуться о шланг водоструйного аппарата высокого давления. При эксплуатации устройства необходимо принимать во внимание конфигурацию шланга.
6. Во время работы водоструйного аппарата высокого давления из его нижней части будет вытекать небольшое количество воды. Не размещайте водоструйный аппарат высокого давления на участках, которые вы хотите защитить от намокания.
4. Это устройство не предназначено для использования лицами (включая детей) с ограниченными физическими, сенсорными или умственными способностями, а также не имеющими надлежащего опыта и знаний.
5. Следите за маленькими детьми, чтобы они не использовали устройство в качестве игрушки.
6. Не распыляйте легковоспламеняющиеся и/или токсичные жидкости. Невыполнение этого требования может привести к взрыву, а также стать причиной отравления персонала или повреждения устройства.
7. Не направляйте струю на себя или других людей с целью очистить одежду или обувь.
8. Шланги, фитинги и муфты высокого давления играют важную роль в обеспечении безопасности устройства. Используйте только рекомендованные производителем шланги, фитинги и муфты.
9. Соблюдайте инструкции при смене насадок.
10. Ручки инструмента всегда должны быть сухими и чистыми; на них не должно быть масла или смазки.

#### Личная безопасность

1. Для защиты от струй и отбрасываемых ими предметов операторы должны надевать отвечающую соответствующим требованиям одежду, например, защитную обувь, защитные каски со смотровыми щитками, средства защиты органов слуха и т. п.
2. Не используйте водоструйный аппарат высокого давления рядом с людьми, не облаченными в защитную одежду.
3. Для снижения риска нанесения травмы необходимо соблюдать особую осторожность при эксплуатации устройства рядом с детьми.
4. При подключении к системе снабжения питьевой водой необходимо обеспечить защиту системы от обратного тока воды.
5. Вода, прошедшая через обратный клапан не пригодна для питья.
11. Будьте бдительны – следите за тем, что вы делаете.
12. Не используйте устройство в состоянии алкогольного или наркотического опьянения.
13. Не держите водоструйный аппарат высокого давления включенным дольше одной минуты, если в нем нет воды. Невыполнение этого требования станет причиной поломки двигателя, что, в свою очередь, приведет к невозможности дальнейшей эксплуатации устройства.
14. Обязательно отключайте подачу питания и воды, если оставляете водоструйный аппарат высокого давления без присмотра.
15. Не забывайте об отдаче. Пистолет обладает отдачей при выпуске струи высокого давления из насадки. Крепко удерживайте пистолет, чтобы не допустить нанесения травм по неосторожности.

#### Электробезопасность

1. Запрещается прикасаться к блокам аккумуляторов мокрыми руками.
2. Не используйте устройство в случае повреждения важных компонентов, например предохранительных устройств, шлангов высокого давления или пистолета.
16. Проверяйте устройство на наличие поврежденных или изношенных компонентов перед использованием. Кроме того, необходимо убедиться, что шланг подсоединен должным образом, а во время работы не возникает утечек. Использование устройства, обладающего функциональными дефектами, может привести к несчастному случаю.

#### Эксплуатация и обслуживание электроинструмента

1. Прочитайте все инструкции перед эксплуатацией устройства.
2. Ознакомьтесь со способами быстрой остановки водоструйного аппарата высокого давления или сброса давления. Внимательно изучите органы управления.
3. Струи высокого давления могут представлять опасность при ненадлежащем использовании. Запрещается направлять струю на людей, находящиеся под напряжением электрооборудование и само устройство.
17. При эксплуатации данного устройства необходимо использовать поставляемое или рекомендованное производителем чистящее средство. Применение других чистящих средств или химикатов может негативно отразиться на безопасности устройства.
18. Не тяните за шланг, чтобы передвинуть корпус водоструйного аппарата высокого давления. Невыполнение этого требования приведет к повреждению шланга и соединительных деталей, а также станет причиной короткого замыкания или появления функциональных дефектов.

19. Не кладите тяжелые предметы на шланг и не давайте транспортным средствам пере-езжать его.
  20. Обязательно сбрасывайте остаточное да-вление в пистолете перед отсоединением шланга.
  21. При подсоединении шланга к водопроводу следуйте инструкциям местной инстанции, занимающейся водоснабжением (будь то подразделение или компания).
  22. Если водоструйный аппарат высокого давления упал или ударился о твердый предмет, убедитесь в отсутствии на нем повреждений и трещин. Использование поврежденного водоструйного аппарата высо-кого давления может привести к задымлению, возгоранию или поражению током, в результате чего возможно получение травмы.
  23. При использовании очистителей высокого давления могут образовываться аэрозоли. Вдыхание аэрозолей может быть вредным для здоровья.
  24. В некоторых случаях для очистки с помо-щью очистителя высокого давления могут использоваться насадки со щитками, которые значительно снижают количество образующихся аэрозолей на водной основе. Однако некоторые виды работы не позво-ляют использовать такие приспособления. Если использовать насадки со щитками для защиты от аэрозолей нельзя, в зависимости от условий очистки может возникнуть необ-ходимость в использовании респираторной маски класса FFP 2 или его эквивалента.
  25. Не допускайте случайного запуска. Прежде чем подключать блок аккумулятора, под-нимать или переносить устройство, убедитесь в том, что переключатель находится в выключенном положении. Если при перенос-ке устройства палец пользователя находится на выключателе или питание подается на устройство с включенным выключателем, это может привести к несчастному случаю.
  26. Перед выполнением регулировок, сменной принадлежностей или хранением отсо-единяйте блок аккумулятора от устройства. Такие профилактические меры предосторож-ности снижают риск случайного включения устройства.
  27. Не пытайтесь самостоятельно ремонти-ровать устройство или блок аккумулятора или вносить изменения в их конструкцию; строго соблюдайте инструкции по их эксплуатации.
  28. **ОСТОРОЖНО!** Риск попадания жидкости под давлением или получения травмы. Не направляйте выходящий поток на людей.
- Эксплуатация и обслуживание электроинстру-мента, работающего на аккумуляторах**
1. Заряжайте аккумулятор только зарядным устройством, указанным изготовителем. Зарядное устройство, подходящее для одного типа аккумуляторов, может привести к пожару при его использовании с другим аккумулятор-ным блоком.
  2. Используйте электроинструмент только с указанными аккумуляторными блоками. Использование других аккумуляторных блоков может привести к травме или пожару.
  3. Когда аккумуляторный блок не использу-ется, храните его отдельно от металличе-ских предметов, таких как скрепки, монеты, ключи, гвозди, шурупы или другие неболь-шие металлические предметы, которые могут привести к закорачиванию контак-тов аккумуляторного блока между собой. Короткое замыкание между контактами аккумуля-торного блока может привести к ожогам или пожару.
  4. При неправильном обращении из аккумуля-торного блока может потечь жидкость. Избегайте контакта с ней. В случае контакта с кожей промойте место контакта обильным количеством воды. В случае попадания в глаза обратитесь к врачу. Жидкость из аккумулятора может вызвать раздражение или ожоги.
  5. Не используйте поврежденные или моди-фицированные инструменты и аккумуля-торные блоки. Поврежденные или модифи-цированные аккумуляторы могут работать некорректно, что может привести к пожару, взрыву или травмированию.
  6. Не подвергайте аккумуляторный блок или инструмент воздействию огня или высокой температуры. Воздействие огня или темпера-туры выше 130 °C может привести к взрыву.
  7. Следуйте всем инструкциям по зарядке и не заряжайте аккумуляторный блок или инструмент при температурных условиях, выходящих за пределы диапазона, указан-ного в инструкции. Зарядка ненадлежащим образом или при температурных условиях, выходящих за пределы указанного диапазона, может привести к повреждению батареи и повысить риск пожара.
- Сервисное обслуживание**
1. Следуйте инструкциям по техническому обслуживанию, приведенным в данном руководстве.
  2. Чтобы обеспечить безопасность устрой-ства, необходимо использовать только оригинальные или одобренные производи-телем запасные части.
  3. Обслуживание водоструйного аппарата высокого давления должно проводиться только квалифицированным специали-стом по ремонту и только с использова-нием идентичных заменяемым запасным частям. Это позволит обеспечить безопас-ность водоструйного аппарата высокого давления.
  4. В случае поломки или неисправности водо-струйного аппарата высокого давления необходимо немедленно выключить его и вынуть блок (или блоки) аккумулятора. Обратитесь в местный дилерский или сер-висный центр.

#### Дополнительные предупреждения о безопасности

1. Соблюдайте требования местной компании по водоснабжению.
2. Запрещается использовать инструмент, если существует риск удара молнии.
3. При использовании инструмента в грязи, на влажном склоне или на скользкой поверхности будьте осторожны, чтобы не поскользнуться.
4. Избегайте работать в сложных условиях, в которых ожидается повышенная усталость пользователя.
5. Запрещается заменять аккумулятор под дождем.
6. Не допускайте погружения инструмента в лужи.
7. Не оставляйте инструмент без присмотра под открытым небом в дождь.
8. В случае прилипания мокрых листьев или грязи ко входу для всасывания (вентиляционному отверстию) удалите их.
9. Запрещается мыть инструмент струей воды с высоким напором.
10. При мойке инструмента не допускайте попадания воды в электрические узлы, в частности на аккумулятор, двигатель и клеммы.
11. Не храните инструмент в помещениях с высокой влажностью или температурой, на солнце или под дождем.
12. Осмотр и техническое обслуживание инструмента следует выполнять в месте, защищенном от осадков.
13. После использования инструмента очистите его от налипшей грязи и полностью высушите, перед тем как поместить на хранение. В зависимости от времени года и/или региона инструмент может выйти из строя из-за замерзания воды.
14. Избегайте смачивания клемм аккумулятора жидкостью, например водой, и не допускайте погружения аккумулятора в жидкость. Запрещается оставлять аккумулятор под дождем, заряжать, использовать или хранить аккумулятор в местах с повышенной влажностью. Мокрые клеммы или попадание жидкости внутрь аккумулятора могут привести к короткому замыканию аккумулятора, его перегреву, возгоранию или взрыву.
15. После извлечения аккумулятора из инструмента или зарядного устройства обязательно присоедините к аккумулятору крышку отсека аккумулятора и поместите его в сухое место.
16. Запрещается выполнять замену аккумулятора мокрыми руками.

#### Дополнительные предупреждения о безопасности

1. Соблюдайте требования местной компании по водоснабжению.
2. Не используйте с этим устройством проводной источник электропитания, например переходник зарядного устройства или портативный блок питания. Кабель этого источника электропитания может помешать работе и стать причиной травмы.

## СОХРАНИТЕ ДАННЫЕ ИНСТРУКЦИИ.

**▲ОСТОРОЖНО: НЕ ДОПУСКАЙТЕ**, чтобы удобство или опыт эксплуатации данного устройства (полученный от многократного использования) доминировали над строгим соблюдением правил техники безопасности при обращении с этим устройством.

**НЕПРАВИЛЬНОЕ ИСПОЛЬЗОВАНИЕ** инструмента или несоблюдение правил техники безопасности, указанных в данном руководстве, может привести к тяжелой травме.

## Важные правила техники безопасности для работы с аккумуляторным блоком

1. Перед использованием аккумуляторного блока прочитайте все инструкции и предупреждающие надписи на (1) зарядном устройстве, (2) аккумуляторном блоке и (3) инструменте, работающем от аккумуляторного блока.
2. Не разбирайте аккумуляторный блок.
3. Если время работы аккумуляторного блока значительно сократилось, немедленно прекратите работу. В противном случае, может возникнуть перегрев блока, что приведет к ожогам и даже к взрыву.
4. В случае попадания электролита в глаза промойте их обильным количеством чистой воды и немедленно обратитесь к врачу. Это может привести к потере зрения.
5. Не замыкайте контакты аккумуляторного блока между собой:
  - (1) Не прикасайтесь к контактам какими-либо токопроводящими предметами.
  - (2) Не храните аккумуляторный блок в контейнере вместе с другими металлическими предметами, такими как гвозди, монеты и т. п.
  - (3) Не допускайте попадания на аккумуляторный блок воды или дождя.Замыкание контактов аккумуляторного блока между собой может привести к возникновению большого тока, перегреву, возможным ожогам и даже поломке блока.
6. Не храните инструмент и аккумуляторный блок в местах, где температура может достигать или превышать 50 °C (122 °F).
7. Не бросайте аккумуляторный блок в огонь, даже если он сильно поврежден или полностью вышел из строя. Аккумуляторный блок может взорваться под действием огня.
8. Не роняйте и не ударяйте аккумуляторный блок.
9. Не используйте поврежденный аккумуляторный блок.
10. Входящие в комплект литий-ионные аккумуляторы должны эксплуатироваться в соответствии с требованиями законодательства об опасных товарах.

При коммерческой транспортировке, например, третьей стороной или экспедитором, необходимо нанести на упаковку специальные предупреждения и маркировку.

В процессе подготовки устройства к отправке обязательно проконсультируйтесь со специалистом по опасным материалам. Также соблюдайте местные требования и нормы. Они могут быть строже.

Закройте или закрепите разомкнутые контакты и упакуйте аккумулятор так, чтобы он не перемещался по упаковке.

11. Для утилизации блока аккумулятора извлеките его из инструмента и утилизируйте безопасным способом. Выполняйте требования местного законодательства по утилизации аккумуляторного блока.
12. Используйте аккумуляторы только с продукцией, указанной Makita. Установка аккумуляторов на продукцию, не соответствующую требованиям, может привести к пожару, перегреву, взрыву или утечке электролита.
13. Если инструментом не будут пользоваться в течение длительного периода времени, извлеките аккумулятор из инструмента.

## СОХРАНИТЕ ДАННЫЕ ИНСТРУКЦИИ.

**ВНИМАНИЕ:** Используйте только фирменные аккумуляторные батареи Makita.

Использование аккумуляторных батарей, не произведенных Makita, или батарей, которые были подвергнуты модификациям, может привести к взрыву аккумулятора, пожару, травмам и повреждению имущества. Это также автоматически аннулирует гарантию Makita на инструмент и зарядное устройство Makita.

## Советы по обеспечению максимального срока службы аккумулятора

1. Заряжайте блок аккумуляторов перед его полной разрядкой. Обязательно прекратите работу с инструментом и зарядите блок аккумуляторов, если вы заметили снижение мощности инструмента.
2. Никогда не подзаряжайте полностью заряженный блок аккумуляторов. Перезарядка сокращает срок службы аккумулятора.
3. Заряжайте блок аккумуляторов при комнатной температуре в 10 - 40 °C (50 - 104 °F). Перед зарядкой горячего блока аккумуляторов дайте ему остыть.
4. Зарядите ионно-литиевый аккумуляторный блок, если вы не будете пользоваться инструментом длительное время (более шести месяцев).

## ОПИСАНИЕ РАБОТЫ

**ВНИМАНИЕ:** Перед регулировкой или проверкой функций инструмента обязательно убедитесь, что он выключен и его аккумуляторный блок снят.

## Установка или снятие блока аккумуляторов

**ВНИМАНИЕ:** Обязательно выключайте инструмент перед установкой и извлечением аккумуляторного блока.

**ВНИМАНИЕ:** При установке и извлечении аккумуляторного блока крепко удерживайте инструмент и аккумуляторный блок. Если не соблюдать это требование, они могут выскользнуть из рук, что приведет к повреждению инструмента, аккумуляторного блока и травмированию оператора.

Для установки блока аккумулятора откройте крышку, удерживая нажатым стопорный рычаг. Совместите выступ блока аккумулятора с пазом в корпусе и задвиньте его на место. Устанавливайте блок до упора так, чтобы он зафиксировался на месте с легким щелчком. Если вы видите красный индикатор на верхней части кнопки, блок аккумулятора не полностью установлен на место. После установки или извлечения блоков аккумуляторов не забудьте закрыть крышку.

► **Рис.1:** 1. Крышка 2. Стопорный рычаг

Для извлечения блоков аккумуляторов нажмите кнопку на лицевой стороне блока и поднимите блок аккумулятора.

► **Рис.2:** 1. Красный индикатор 2. Кнопка 3. Блок аккумулятора

**ВНИМАНИЕ:** Обязательно устанавливайте аккумуляторный блок до конца, чтобы красный индикатор не был виден. В противном случае аккумуляторный блок может выпасть из инструмента и нанести травму вам или другим людям.

**ВНИМАНИЕ:** Не прилагайте чрезмерных усилий при установке аккумуляторного блока. Если блок не двигается свободно, значит он вставлен неправильно.

**ВНИМАНИЕ:** Не забудьте зафиксировать крышку перед началом работы.

## Система защиты инструмента/аккумулятора

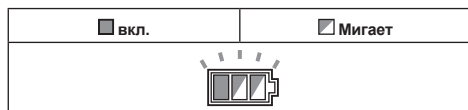
На инструменте предусмотрена система защиты инструмента/аккумулятора. Она автоматически отключает питание двигателя для продления срока службы инструмента и аккумулятора. Инструмент автоматически остановится во время работы в следующих случаях:

## Защита от перегрузки

Если из-за способа эксплуатации аккумулятора потребляет очень большое количество тока, он автоматически остановится без включения каких-либо индикаторов. В этом случае выключите инструмент и прекратите работу, повлекшую перегрузку инструмента. Затем включите инструмент для перезапуска.

## Защита от перегрева

При перегреве инструмента он автоматически останавливается, а индикатор аккумулятора начинает мигать. В таком случае дайте инструменту остыть перед повторным включением.



## Защита от переразрядки


















При истощении емкости аккумулятора инструмент автоматически останавливается. В этом случае извлеките аккумулятор из инструмента и зарядите его.

## Индикация оставшегося заряда аккумулятора

*Только для блоков аккумулятора с индикатором*

► Рис.3: 1. Индикаторы 2. Кнопка проверки

Нажмите кнопку проверки на аккумуляторном блоке для проверки заряда. Индикаторы загорятся на несколько секунд.

Индикаторы			Уровень заряда
 Горит	 Выкл.	 Мигает	
			от 75 до 100%
			от 50 до 75%
			от 25 до 50%
			от 0 до 25%
			Зарядите аккумуляторную батарею.
			Возможно, аккумуляторная батарея неисправна.
			


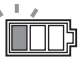

**ПРИМЕЧАНИЕ:** В зависимости от условий эксплуатации и температуры окружающего воздуха индикация может незначительно отличаться от фактического значения.

## Индикация оставшегося заряда аккумулятора

**ПРИМЕЧАНИЕ:** Индикатор аккумулятора не работает, если переключатель питания находится в положении OFF (Выкл.). Для проверки оставшегося заряда аккумулятора, установите переключатель питания в положение, соответствующее режиму высокого или низкого давления.

Нажмите кнопку проверки для проверки заряда аккумулятора. Индикаторы соответствуют каждому аккумулятору.

► Рис.4: 1. Индикатор аккумулятора 2. Кнопка проверки

Состояние индикатора аккумуляторной батареи			Уровень заряда аккумулятора
 Вкл.	 Выкл.	 Мигает	
			от 50% до 100%
			от 20% до 50%
			от 0% до 20%
			Зарядите аккумулятор

## Переключатель питания

**ПРИМЕЧАНИЕ:** Не прилагайте повышенных усилий при взаимодействии с переключателем питания. Невыполнение этого требования может привести к его поломке.

В зависимости от уровня давления поверните переключатель питания по часовой стрелке или против часовой стрелки. Поверните переключатель питания по часовой стрелке, чтобы включить режим высокого давления или против часовой стрелки, чтобы активировать режим низкого давления.

► Рис.5: 1. Режим низкого давления 2. Положение OFF (Выкл.) 3. Режим высокого давления

**ПРИМЕЧАНИЕ:** При установке переключателя питания в положение, соответствующее режиму высокого или низкого давления, индикаторы аккумуляторов загораются на несколько секунд.

## Функции насадки

**ПРИМЕЧАНИЕ:** Стандартные насадки различаются в зависимости от страны. Другие насадки см. в разделе "ДОПОЛНИТЕЛЬНЫЕ ПРИНАДЛЕЖНОСТИ".

## Распылитель

В зависимости от страны

► Рис.6

Вы можете регулировать ширину струи в диапазоне от 0° до 25° путем поворота передней части насадки.

**ВНИМАНИЕ:** При регулировании ширины струи запрещается вращать насадку, смещая ее в направлении пистолета. Несоблюдение этого требования может привести к отсоединению насадки от пистолета и стать причиной нанесения травмы.

## Грязевая фреза

В зависимости от страны

► Рис.7

Выпускается спиральная струя. Подходит для удаления сложно выводимой грязи.

**ПРИМЕЧАНИЕ:** Не применяйте грязевую фрезу для очистки легкоповреждаемых поверхностей, таких как окна или кузова автомобилей.

## Эксплуатация триггерного переключателя

Нажмите на триггерный переключатель, чтобы заставить устройство выпустить струю. Струя продолжает выпускаться, пока вы удерживаете триггерный переключатель в нажатом положении. Триггерный переключатель можно заблокировать для предотвращения активации пистолета в целях обеспечения безопасности. Чтобы заблокировать триггерный переключатель, вытяните стопор и зафиксируйте его в пазу на рукоятке.

► Рис.8: 1. Триггерный переключатель 2. Стопор 3. Паз

**ПРИМЕЧАНИЕ:** Чтобы предотвратить механические ошибки переключателя давления, необходимо оставлять двухсекундный интервал между всеми манипуляциями с триггерным переключателем.

## Предохранительный клапан

Данное устройство снабжено предохранительным клапаном, предотвращающим несвоевременное возникновение избыточного давления. Когда вы отпускаете триггерный переключатель, этот клапан открывается, и происходит рециркуляция воды через входное отверстие насоса.

**ВНИМАНИЕ:** Запрещается изменять или регулировать настройки предохранительного клапана.

## Подача воды из бака/резервуара

Вы можете подавать воду не из водопроводного крана, а из бака или резервуара. Замените соединитель водяного шланга набором со всасывающим шлангом. При подключении набора со всасывающим шлангом необходимо отсоединить шланг от корпуса фильтра и присоединить корпус фильтра к входному отверстию водоструйного аппарата высокого давления. После этого присоедините шланг к корпусу фильтра.

**ПРИМЕЧАНИЕ:** При отсоединении шланга от корпуса фильтра или его подсоединении поверните муфту, удерживая шланг таким образом, чтобы шланг не вращался вместе с муфтой.

► Рис.9: 1. Бак/резервуар 2. Набор с всасывающим шлангом 3. Соединитель водяного шланга 4. Шланг 5. Корпус фильтра 6. Входное отверстие водоструйного аппарата высокого давления 7. Хомут шланга 8. Муфта

**ВНИМАНИЕ:** При подсоединении муфты к корпусу фильтра соблюдайте осторожность, чтобы не поранить руку о хомут шланга.

**ПРИМЕЧАНИЕ:** Используйте только наборы с всасывающим шлангом от Makita.

**ПРИМЕЧАНИЕ:** Высота от входного отверстия водоструйного аппарата высокого давления до поверхности воды должна составлять не более 1 м (3,28 фута). В противном случае насос водоструйного аппарата высокого давления не сможет всасывать воду.

Чтобы начать подачу воды в шланг, снимите насадку с пистолета и включите водоструйный аппарат высокого давления, сжимая при этом триггерный переключатель. Когда вода начнет стабильно выпускаться из пистолета, отпустите триггерный переключатель и установите нужную вам насадку.

► Рис.10: 1. Пистолет

**ПРИМЕЧАНИЕ:** Если вода не выпускается, отсоедините набор с всасывающим шлангом и погрузите его в воду. После этого снова присоедините его водоструйному аппарату высокого давления.

► Рис.11: 1. Набор с всасывающим шлангом

## Использование контейнера в качестве резервуара для воды

Контейнер, поставляемый вместе с водоструйным аппаратом высокого давления (в зависимости от страны), можно использовать в качестве резервуара для воды.

1. Опорожните контейнер и налейте в него воду.

► Рис.12: 1. Отметка уровня заполнения

**ПРИМЕЧАНИЕ:** Не наливайте воду выше отметки уровня заполнения.

**ПРИМЕЧАНИЕ:** Крышка контейнера не является герметичной. Будьте осторожны, чтобы не пролить воду из контейнера при переноске.

2. Отсоедините корпус фильтра от шланга набора со всасывающим шлангом.

► Рис.13: 1. Шланг 2. Корпус фильтра

3. Снимите заглушку входного отверстия для подачи воды и просуньте набор со всасывающим шлангом через входное отверстие, как показано на рисунке.

► Рис.14: 1. Заглушка 2. Держатель заглушки 3. Входное отверстие для подачи воды 4. Набор со всасывающим шлангом

**ПРИМЕЧАНИЕ:** Заглушку входного отверстия для подачи воды можно положить на держатель заглушки.

4. Снимите соединитель водяного шланга со входного отверстия водоструйного аппарата высокого давления. После этого подсоедините корпус фильтра ко входу и шланг к корпусу фильтра.

► **Рис.15:** 1. Входное отверстие водоструйного аппарата высокого давления 2. Корпус фильтра 3. Соединитель водяного шланга 4. Шланг

5. Установите водоструйный аппарат высокого давления на контейнер таким образом, чтобы он был зафиксирован креплениями на крышке контейнера.

► **Рис.16:** 1. Водоструйный аппарат высокого давления 2. Крышка 3. Отверстие для отвода воздуха

**ПРИМЕЧАНИЕ:** Будьте осторожны с контейнером во время переноски. Переноска контейнера с водоструйным аппаратом высокого давления и принадлежностями или водой внутри устройства может привести к несчастному случаю или травме из-за собственного веса контейнера.

**ПРИМЕЧАНИЕ:** При переноске контейнера не встряхивайте его, не переворачивайте и не наклоняйте слишком сильно. Невыполнение этого требования может иметь следующие последствия:

- находящаяся внутри вода может пролиться;
- водоструйный аппарат высокого давления на крышке может выпасть из контейнера;
- вращение колесиков контейнера может быть затруднено.

**ПРИМЕЧАНИЕ:** При переноске за ручку контейнера, в котором содержится большое количество воды, вода может пролиться.

**ПРИМЕЧАНИЕ:** Если находящаяся внутри вода попадет в отверстие для отвода воздуха в случае наклона емкости, вода может выйти из отверстия для отвода воздуха.

**ПРИМЕЧАНИЕ:** Не наступайте на контейнер. Его крышка может сломаться.

**ПРИМЕЧАНИЕ:** Не оставляйте на долгое время емкость наполненной водой. Это может привести к повреждению емкости и утечке воды.

После использования устройства следуйте указанной ниже процедуре.

1. Снимите заглушку сливного отверстия и слейте воду.

► **Рис.17:** 1. Сливное отверстие

2. Вытрите воду, оставшуюся в контейнере, тряпкой, а затем тщательно просушите контейнер.

**ПРИМЕЧАНИЕ:** Не используйте влажный контейнер для хранения водоструйного аппарата высокого давления и принадлежностей к нему. Оставшаяся внутри влага может вызвать появление ржавчины и стать причиной неисправности.

## СБОРКА

**ВНИМАНИЕ:** Перед проведением каких-либо работ с инструментом обязательно убедитесь, что инструмент отключен, а блок аккумулятора снят.

### Подключение шланга высокого давления

Подключите шланг высокого давления к разъему (с меткой в виде пистолета). Поверните гайку на шланге высокого давления против часовой стрелки, накручивая ее на резьбу выходного отверстия.

► **Рис.18:** 1. Выходное отверстие 2. Гайка

**ВНИМАНИЕ:** Убедитесь, что шланг высокого напряжения надежно закреплен. При ослабленном соединении шланг высокого давления может вылететь и нанести травму.

### Установка пистолета

Подключите шланг высокого давления к входному отверстию пистолета. Поверните гайку на шланге высокого давления против часовой стрелки, накручивая ее на резьбу входного отверстия.

► **Рис.19:** 1. Входное отверстие 2. Гайка

**ВНИМАНИЕ:** Убедитесь, что шланг высокого напряжения надежно закреплен. При ослабленном соединении шланг высокого давления может вылететь и нанести травму.

### Подключение к водопроводному крану

**ВНИМАНИЕ:** Обязательно используйте устойчивый к давлению водяной шланг диаметром не менее 13 мм и подсоединяйте его к водопроводному крану с помощью подходящих фитингов. Невыполнение этого требования может привести к повреждению водяного шланга и/или фитинга и травмам.

**ПРИМЕЧАНИЕ:** Используйте как можно более короткий устойчивый к давлению водяной шланг. Объем поступающей воды должен превышать максимальный объем подачи насоса.

**ПРИМЕЧАНИЕ:** Если вы подключаетесь к водопроводу, по которому подается питьевая вода, используйте обратный клапан, соответствующий требованиям местного законодательства.

Подготовьте устойчивый к давлению водяной шланг. Установите соединительную муфту на один его конец и подсоедините другой к водопроводному крану следующим образом.

1. Снимите гайку на соединительной муфте и пропустите устойчивый к давлению водяной шланг через гайку. Вставьте конец шланга в соединительную муфту и затяните гайку.

► **Рис.20:** 1. Устойчивый к давлению водяной шланг 2. Гайка на соединительной муфте 3. Соединительная муфта

**ПРИМЕЧАНИЕ:** Если вы подключаете устойчивый к давлению водяной шланг к водопроводному крану с помощью соединительной муфты, присоедините ко второму концу шланга еще одну соединительную муфту.

2. Подключите устойчивый к давлению водяной шланг к водопроводному крану. Используйте подходящий фитинг, например, хомут шланга или соединительный стык водопроводного крана, чтобы присоединить конец шланга к водопроводному крану.
- **Рис.21:** 1. Хомут шланга 2. Соединительный элемент водопроводного крана  
3. Устойчивый к давлению водяной шланг

**ПРИМЕЧАНИЕ:** Тип фитинга, который необходимо использовать, зависит от формы водопроводного крана, к которому вы подключаете шланг. Приобретите подходящий фитинг.

3. Присоедините соединитель водяного шланга к входному отверстию (с меткой в виде водопроводного крана) и вставьте соединительную муфту.
- **Рис.22:** 1. Соединительная муфта  
2. Соединитель водяного шланга  
3. Входное отверстие водоструйного аппарата высокого давления

## Установка/отсоединение насадки

**⚠ВНИМАНИЕ:** Обязательно блокируйте триггерный переключатель пистолета при установке/отсоединении насадки.

Вставьте конец насадки в разъем пистолета и поверните конец насадки в указанном стрелкой направлении, как показано на рисунке. Для отсоединения насадки поверните ее в обратном направлении, перемещая ее в сторону пистолета.

- **Рис.23:** 1. Пистолет 2. Паз 3. Конец насадки

## Установка пенной насадки

### Дополнительные принадлежности

**⚠ВНИМАНИЕ:** Обязательно блокируйте триггерный переключатель пистолета при установке/отсоединении насадки.

Перед применением пенной насадки необходимо подготовить очищающее средство.

1. Снимите насадку с бака, поворачивая ее против часовой стрелки. Прикрепите насадку к пистолету.

- **Рис.24:** 1. Насадка 2. Пистолет

2. Налейте очищающее средство в бак и прикрепите его к насадке.

- **Рис.25:** 1. Бак

**ПРИМЕЧАНИЕ:** Используйте только нейтральные очищающие средства. Кислотное или щелочное очищающее средство может повредить бак или насадку.

## Размещение пластмассового чемодана для переноски на емкости

### Дополнительные принадлежности

Пластмассовый чемодан Makita для переноски можно разместить на емкости. Установите пластмассовый чемодан Makita для переноски на емкости таким образом, чтобы он был зафиксирован креплениями на крышке емкости.

- **Рис.26:** 1. Пластмассовый чемодан для переноски 2. Крепление

## Размещение емкости на тележке

### Дополнительные принадлежности

При перемещении емкости с помощью тележки Makita размещайте емкость в соответствующем положении. Убедитесь в том, что дно емкости вставлено в платформу тележки.

- **Рис.27:** 1. Нижняя поверхность емкости  
2. Платформа тележки

**⚠ВНИМАНИЕ:** При использовании тележки не перемещайте емкость, наполненную водой. Это может повлечь за собой потерю баланса и стать причиной травмы или деформации емкости, что приведет к утечке воды.

## ЭКСПЛУАТАЦИЯ

**⚠ОСТОРОЖНО:** Не прикасайтесь к струе воды и не направляйте ее на себя или окружающих. Струя воды представляет опасность и может травмировать вас или других людей.

**⚠ОСТОРОЖНО:** При подаче воды запрещено держать в руках очищаемый объект или держать руки и ноги в непосредственной близости от нее.

**⚠ВНИМАНИЕ:** Следите за тем, чтобы в вас не попала струя воды или отброшенные ей предметы. Насадка должна находиться на расстоянии не менее 30 см от очищаемого предмета.

**⚠ВНИМАНИЕ:** Не держите водоструйный аппарат высокого давления включенным дольше 1 минуты, если в нем нет воды.

**⚠ВНИМАНИЕ:** Не допускайте непрерывной эксплуатации водоструйного аппарата высокого давления в течение продолжительных промежутков времени. В противном случае возможен перегрев устройства и возникновение пожара. Кроме того, во время длительной эксплуатации может возникнуть ненормальная вибрация.

**⚠ВНИМАНИЕ:** Следите за направлением ветра. При попадании очищающего средства в глаза или полость рта немедленно промойте пострадавший участок чистой водой и при необходимости обратитесь к врачу.



**ПРИМЕЧАНИЕ:** Не держите водоструйный аппарат высокого давления включенным дольше 1 часа. После использования устройства в течение 1 часа сделайте перерыв аналогичной длины перед дальнейшей эксплуатацией.

**ПРИМЕЧАНИЕ:** Чтобы защитить механизм водоструйного аппарата высокого давления, используйте воду температурой не более 40 °С.

1. Присоедините один конец шланга высокого давления к пистолету, а другой к водоструйному аппарату высокого давления.
2. Соедините водоструйный аппарат высокого давления с краном водяным шлангом. Затем откройте кран.  
► **Рис.28**
3. Откройте крышку, установите блоки аккумуляторов в водоструйный аппарат высокого давления и зафиксируйте крышку.  
► **Рис.29:** 1. Блок аккумулятора 2. Крышка
4. Установите переключатель питания в положение, соответствующее нужному режиму.  
► **Рис.30:** 1. Режим низкого давления 2. Положение OFF (Выкл.) 3. Режим высокого давления
5. Чтобы заставить устройство выпустить струю воды, разблокируйте стопор и нажмите на триггерный переключатель. Струя продолжает выпускаться, пока вы удерживаете триггерный переключатель в нажатом положении.  
► **Рис.31:** 1. Стопор

**ВНИМАНИЕ:** Крепко удерживайте пистолет. Нажатие на триггерный переключатель вызывает отдачу пистолета.

**ВНИМАНИЕ:** При выпуске струи воды необходимо удерживать пистолет за рукоятку и ствол.

**ПРИМЕЧАНИЕ:** Соблюдайте осторожность, чтобы не нажать на триггерный переключатель с избыточной силой. Невыполнение этого требования может привести к падению водоструйного аппарата высокого давления.

Во время перерывов в работе пистолет можно временно располагать так, как показано на рисунке.  
► **Рис.32**

## После использования

**ВНИМАНИЕ:** После использования водоструйного аппарата высокого давления необходимо выполнить процедуру, описанную в данном руководстве. Остаточное давление в пистолете или водоструйном аппарате высокого давления может привести к травмированию оператора или окружающих или стать причиной повреждения внутренней части насоса.

1. Выключите водоструйный аппарат высокого давления.
2. Закройте водопроводный кран и отсоедините водяной шланг от водоструйного аппарата высокого давления.  
► **Рис.33**
3. Снова включите водоструйный аппарат высокого давления.
4. Удерживайте триггерный переключатель нажатым до тех пор, пока оставшаяся вода не будет сброшена.  
► **Рис.34**

**ПРИМЕЧАНИЕ:** Не держите двигатель включенным дольше 1 минуты.

5. Выключите водоструйный аппарат высокого давления и выньте из него блоки аккумуляторов.  
► **Рис.35:** 1. Переключатель питания 2. Блок аккумулятора
6. Отсоедините шланг высокого давления от пистолета и водоструйного аппарата высокого давления.  
► **Рис.36:** 1. Пистолет 2. Шланг высокого давления 3. Водоструйный аппарат высокого давления

**ПРИМЕЧАНИЕ:** Во избежание повреждения шланга высокого давления необходимо выливать из него всю воду перед хранением.

## ОБСЛУЖИВАНИЕ И ХРАНЕНИЕ

**ВНИМАНИЕ:** Перед проведением осмотра или работ по техобслуживанию необходимо убедиться, что инструмент выключен, а блок аккумулятора снят.

**ПРИМЕЧАНИЕ:** Запрещается использовать бензин, растворители, спирт и другие подобные жидкости. Это может привести к обесцвечиванию, деформации и трещинам.

Для обеспечения БЕЗОПАСНОСТИ и НАДЕЖНОСТИ обслуживания ремонт, любое другое техобслуживание или регулировку необходимо производить в уполномоченных сервис-центрах Makita или сервис-центрах предприятия с использованием только сменных частей производства Makita.

## Чистка насадки

Используйте очистной штырь, чтобы удалять грязь из насадки или прочищать последнюю.

► **Рис.37:** 1. Очистной штырь

**ПРИМЕЧАНИЕ:** Не прилагайте повышенных усилий при удалении грязи и засоров. Невыполнение этого требования может привести к травмированию оператора или окружающих и повреждению отверстия для подачи. Это также может стать причиной искажения угла струи или снижения производительности.

## Очистка фильтра

Снимите соединитель водяного шланга и удалите грязь и засоры из внутренней части фильтра.

► **Рис.38:** 1. Соединитель водяного шланга 2. Фильтр 3. Уплотнительное кольцо

При использовании набора с всасывающим шлангом (дополнительное оборудование) вытаскивайте фильтр из корпуса фильтра и удалите грязь и засоры.

► **Рис.39:** 1. Фильтр 2. Корпус фильтра

**ПРИМЕЧАНИЕ:** Для поддержания оптимальной производительности необходимо периодически выполнять очистку фильтра.

## Хранение

**ВНИМАНИЕ:** Храните инструмент в помещении, температура в котором не достигает температуры замерзания. Если водоструйный аппарат высокого давления замерзнет, а в его работе возникнут сбои, обратитесь в местный дилерский центр для выполнения ремонта.

Храните принадлежности в боковом кармане водоструйного аппарата высокого давления.

### Пример хранения

► **Рис.40:** 1. Шланг высокого давления 2. Насадка 3. Пистолет

Если модель укомплектована контейнером, используйте его для хранения водоструйного аппарата высокого давления и принадлежностей к нему.

### Пример хранения

► **Рис.41:** 1. Водоструйный аппарат высокого давления 2. Насадка 3. Пистолет 4. Очистная щетка 5. Пенная насадка 6. Шланг высокого давления 7. Зарядное устройство 8. Набор со всасывающим шлангом 9. Устойчивый к давлению водяной шланг

**ПРИМЕЧАНИЕ:** Некоторые показанные на рисунке принадлежности не входят в комплект поставки в определенных странах.

## ПОИСК И УСТРАНЕНИЕ НЕИСПРАВНОСТЕЙ

Прежде чем обращаться по поводу ремонта, проведите осмотр самостоятельно. Если обнаружена неисправность, не указанная в руководстве, не пытайтесь разобрать инструмент. Обратитесь в один из авторизованных сервисных центров Makita, в которых для ремонта всегда используются оригинальные детали Makita.

Состояние неисправности	Возможная причина (неисправности)	Способ устранения
Водоструйный аппарат не запускается.	Нет электропитания	Установите заряженные блоки аккумуляторов.
	Переключатель не переведен в положение «On» (Вкл.).	Переведите переключатель в положение «On» (Вкл.).
	Остаточное давление в насосе	Потяните триггерный переключатель.
	Повреждение аккумулятора или электрической цепи	Обратитесь в авторизованный сервисный центр для выполнения ремонта.
Нет струи воды / слабая струя воды	Вода не подается	Убедитесь, что кран водопровода открыт. При использовании набора с всасывающим шлангом начните подачу воды в шланг.
	Подается недостаточное количество воды	Откройте кран водопровода.
	Ненадежное крепление водяного шланга	Проверьте соединение водоструйного аппарата высокого давления с краном подачи воды.
	Засор в шланге, фильтре или насадке	Устраните засор в шланге, фильтре или насадке.
	Воздух препятствует прохождению потока воды.	Переведите переключатель в положение «Off» (Выкл.), а затем обратно в положение «On» (Вкл.), нажимая при этом на триггерный переключатель.
	Повреждение или износ насадки	Замените насадку.
	Неисправность насоса или клапана	Обратитесь в авторизованный сервисный центр для выполнения ремонта.
Нестабильная струя воды	Насадка засорена	Устраните засор в отверстии для подачи воды на насадке с помощью очистного штыря.
	Всасывание недостаточного количества воды	Проверьте водяной шланг на предмет протечек или засоров. Начните проверку от крана водопровода. Откройте кран водопровода.
	Вода слишком горячая.	Подавайте более холодную воду.
	Клапан неисправен	Обратитесь в авторизованный сервисный центр для выполнения ремонта.
Необычный звук	Вода слишком горячая.	Подавайте более холодную воду.
	Воздушная пробка в насосе.	Обратитесь в авторизованный сервисный центр для выполнения ремонта.
Утечка воды	Ненадежное соединение	Проверьте соединение водоструйного аппарата высокого давления с пистолетом и краном подачи воды.
	Износ уплотнителей	Обратитесь в авторизованный сервисный центр для выполнения ремонта.

## ДОПОЛНИТЕЛЬНЫЕ ПРИНАДЛЕЖНОСТИ

**ВНИМАНИЕ:** Данные принадлежности или приспособления рекомендуются для использования с инструментом Makita, указанным в настоящем руководстве. Использование других принадлежностей или приспособлений может привести к получению травмы. Используйте принадлежность или приспособление только по указанному назначению.

Если вам необходимо содействие в получении дополнительной информации по этим принадлежностям, свяжитесь с вашим сервис-центром Makita.

**ПРИМЕЧАНИЕ:** Некоторые элементы списка могут входить в комплект инструмента в качестве стандартных приспособлений. Они могут отличаться в зависимости от страны.

### Распылитель с регулируемой мощностью

► Рис.42

Давление струи можно отрегулировать путем поворота насадки.

**ВНИМАНИЕ:** При регулировании давления струи запрещается вращать насадку, смещая ее в направлении пистолета. Несоблюдение этого требования может привести к отсоединению насадки от пистолета и стать причиной нанесения травмы.

### Пенная насадка

*В зависимости от страны*

► Рис.43

Возможно распыление очищающего средства в виде пены.

### Очистная щетка (длинная)

► Рис.44

Насадка снабжена щеткой. Эта насадка отлично удаляет грязь благодаря наличию щетки.

### Набор с всасывающим шлангом

► Рис.45

Замените водяной шланг этим набором, чтобы получить возможность регулировать подачу воды из бака или резервуара.

### Поворачивающаяся очистная щетка

► Рис.46

Три щетки, расположенные внутри, медленно вращаются во время выпуска струи. Отлично подходит для удаления грязи с наружной части стены, кузова автомобиля, ванны и т. п.

### Удлинитель для распылителя

► Рис.47

Трубы, увеличивающие длину пистолета. Доступно три настройки длины. Для перехода между ними необходимо изменить количество используемых труб.

### Распылитель для очистки объектов снизу

► Рис.48

Удлиненный распылитель с изогнутой насадкой. Идеально подходит для очистки труднодоступных участков, таких как днище автомобиля или карнизный желоб крыши.

**ВНИМАНИЕ:** Не используйте распылитель для очистки объектов снизу вместе с удлинителем для распылителя.

### Щиток от брызг

► Рис.49

Предотвращает разбрызгивание при очистке углов с помощью грязевой фрезы.

### Подвижный стык

► Рис.50

Предотвращает чрезмерное изгибание шланга высокого давления.

### Соединительный стык

► Рис.51

Стык для соединения с насадкой для устройств других моделей.

Для установки некоторых дополнительных насадок на пистолет необходим соединительный стык (опциональный аксессуар). Прикрепите соединительный стык к пистолету точно так же, как насадку.

► Рис.52: 1. Насадка 2. Соединительный стык 3. Пистолет

**ПРИМЕЧАНИЕ:** Соединительный стык необходим при использовании насадок, поставляемых с другими моделями, например, HW112 или HW121.

### Набор для чистки труб (10 м/15 м)

► Рис.53

Используется для чистки трубопроводов и направленных вниз труб, а также устранения засоров в них.

**ВНИМАНИЕ:** С особым вниманием следите за струей воды при использовании набора для чистки труб. Струя воды с сильным напором выбрасывается назад. Прежде чем нажать триггерный переключатель, не забудьте вставить наконечник шланга в трубу.

### Удлинительный шланг высокого давления (5 м/8 м/10 м)

► Рис.54

Удлинительный шланг для соединения корпуса водоструйного аппарата высокого давления с пистолетом.

**Makita Europe N.V.** Jan-Baptist Vinkstraat 2,  
3070 Kortenberg, Belgium

**Makita Corporation** 3-11-8, Sumiyoshi-cho,  
Anjo, Aichi 446-8502 Japan

[www.makita.com](http://www.makita.com)

885721B988 EN, SV, NO, FI, LV, LT, ET, RU 20190925
---